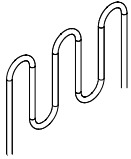
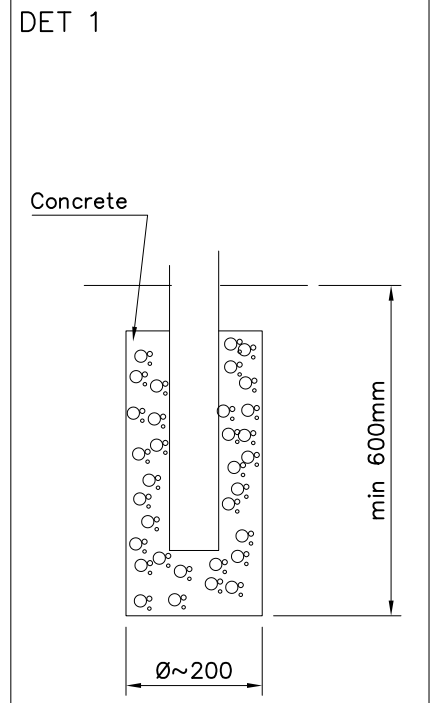
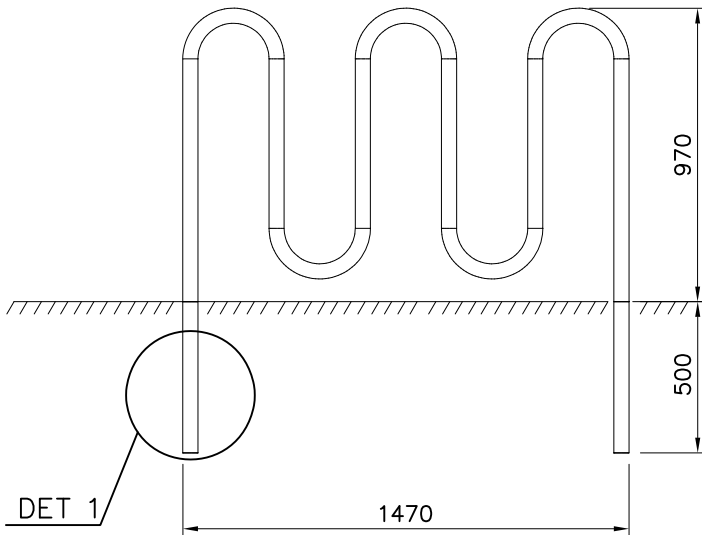
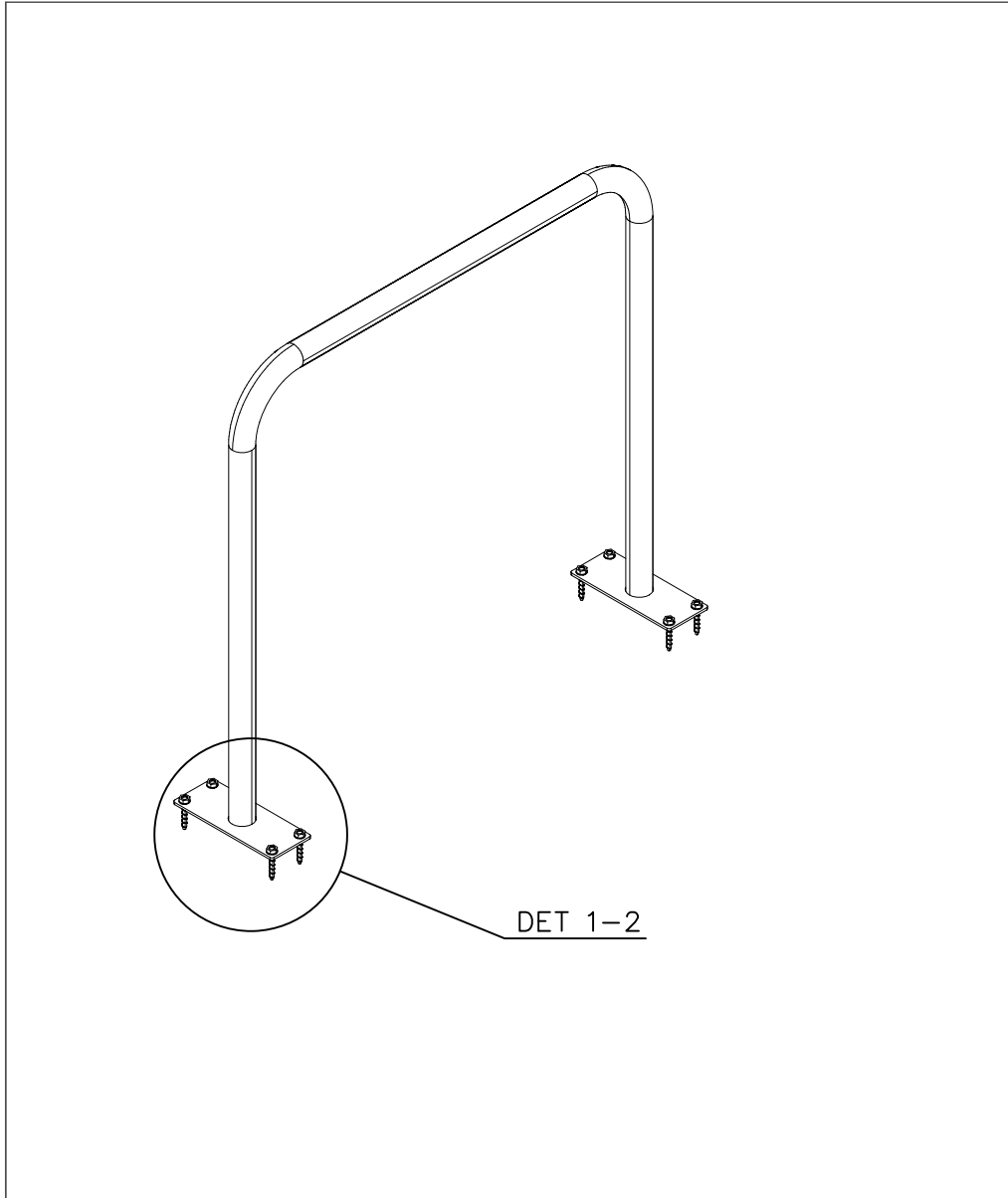
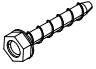
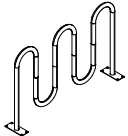
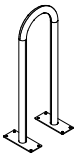
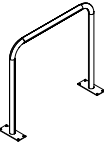
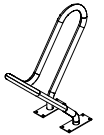


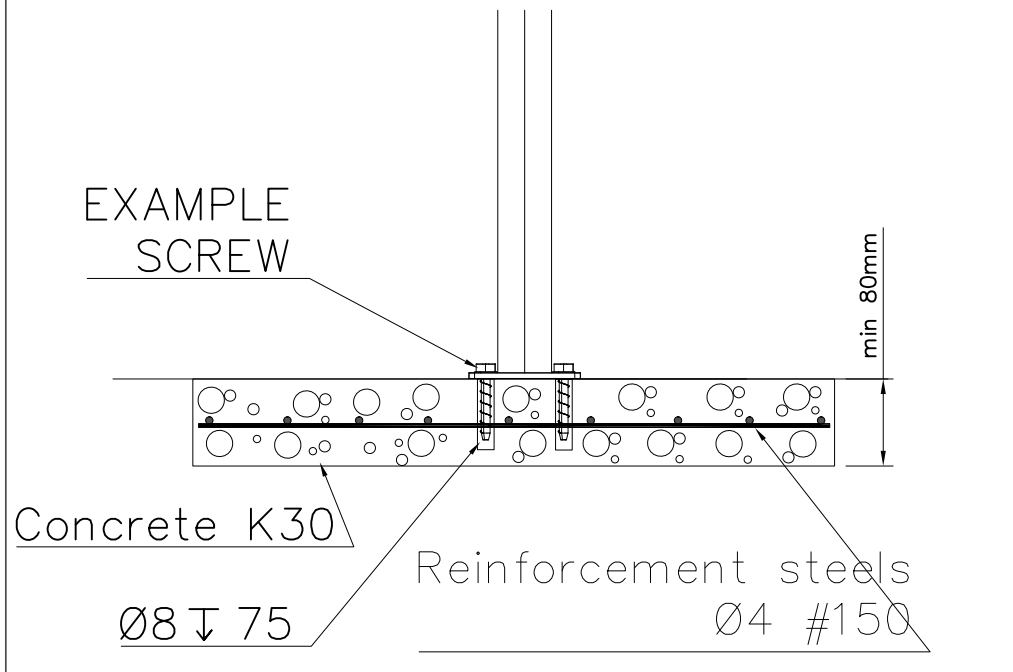
|  |     |  |     |
|--|-----|--|-----|
| ① NF8500M<br> | PCS |  | PCS |
|  | 1   |  |     |
|  | PCS |  | PCS |
|  |     |  |     |
|  | PCS |  | PCS |
|  |     |  |     |
|  | PCS |  | PCS |
|  |     |  |     |
|  | PCS |  | PCS |
|  |     |  |     |



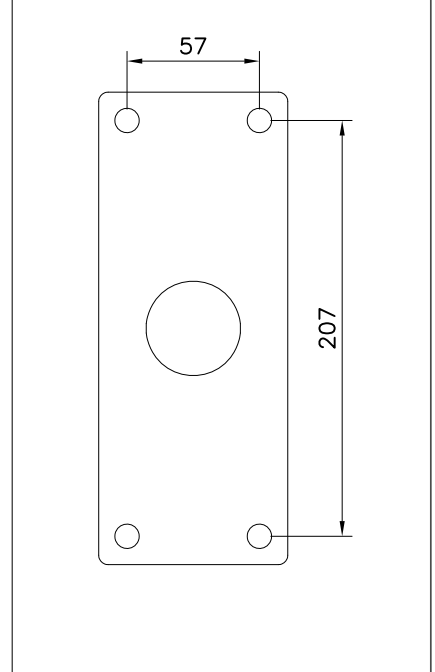


|     |   |     |
|-----|---|-----|
| PCS | EXAMPLE SCREW   | PCS |
|     |    |     |
|     | Ø10x60  |     |
| PCS | NF8500M   | PCS |
|     |    | 1   |
| PCS | NF8600M   | PCS |
|     |    | 1   |
| PCS | NF8800M   | PCS |
|     |  | 1   |
| PCS | NF3931M   | PCS |
|     |  | 1   |

DET 1



DET 2



CONCRETE SLAB SIZES

