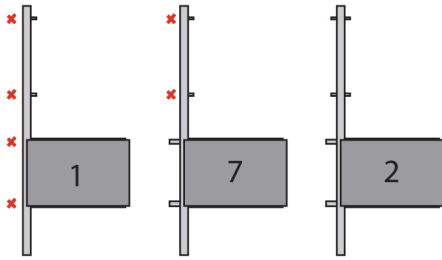


# High boarding



037-101	PCS
HPL plate	

079-120	PCS
Vertical member high	

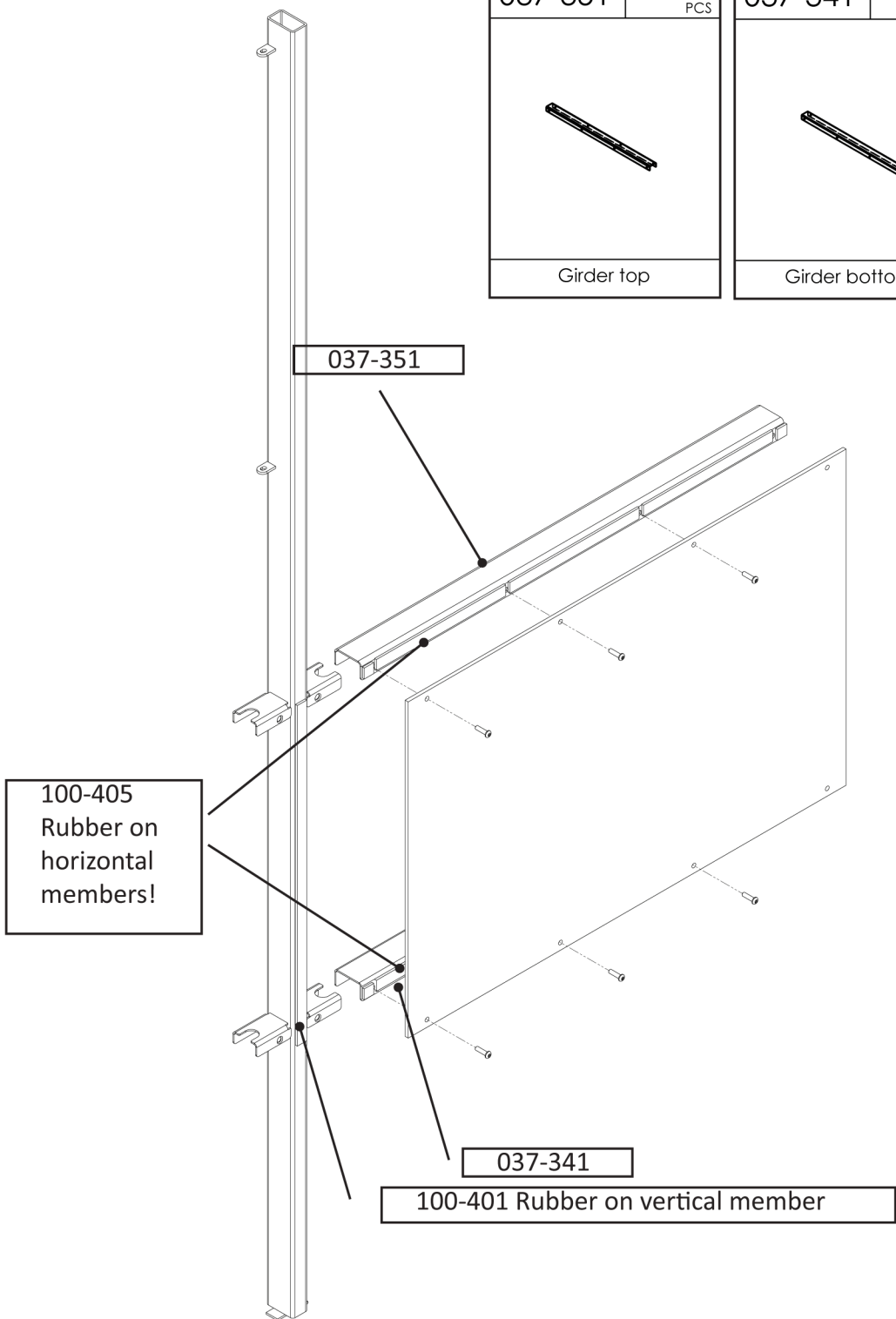
100-211	PCS
Bolt M8 x 30 mm secured	

037-351	PCS
Girder top	

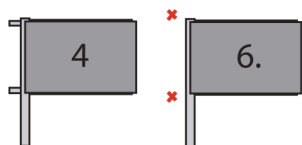
037-341	PCS
Girder bottom	

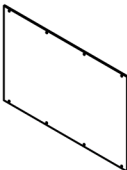

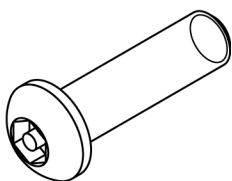



100-405	PCS
NPDM 10 x 2 mm	


100-401	PCS
NPDM 25 x 5 mm	

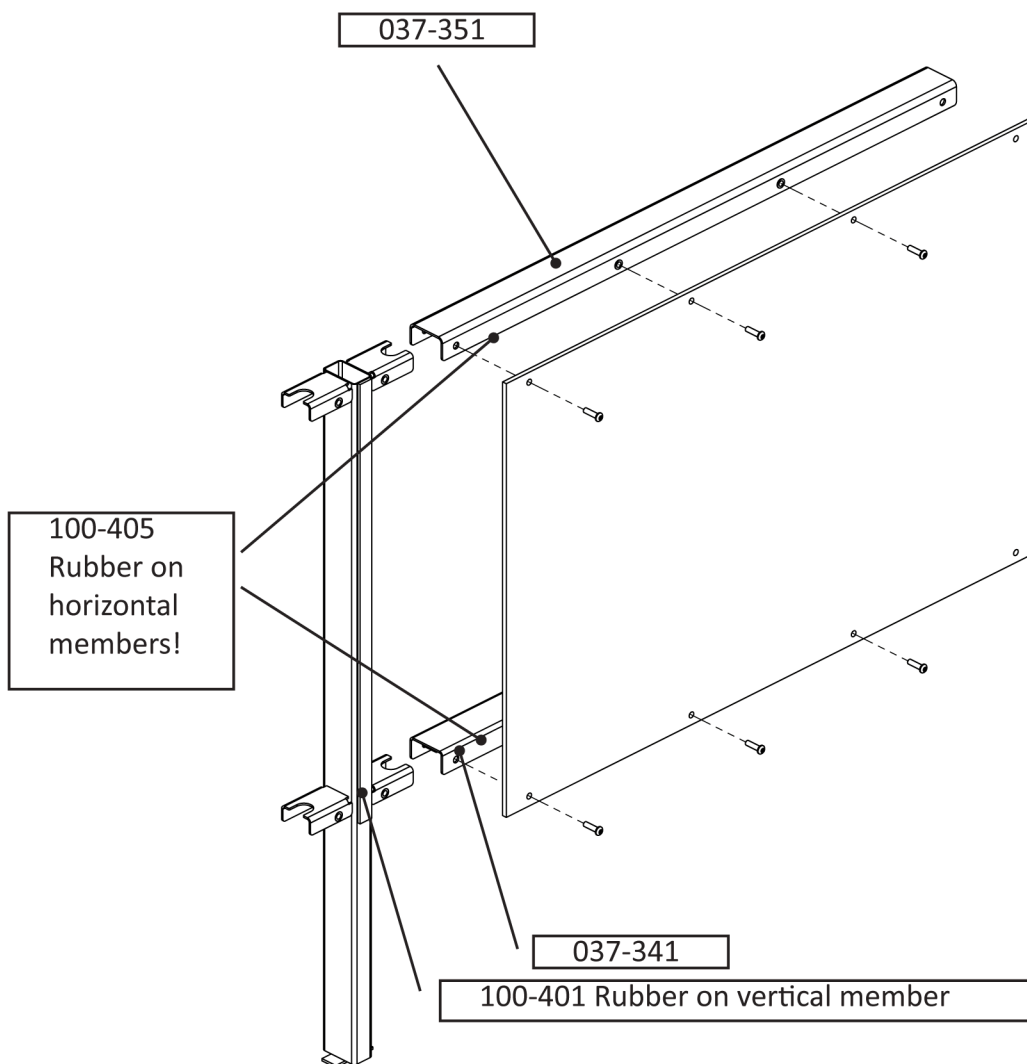


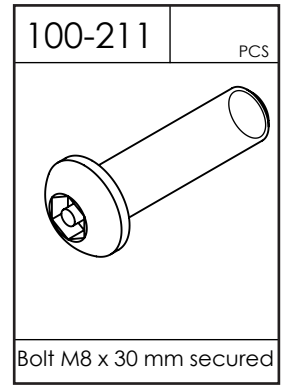
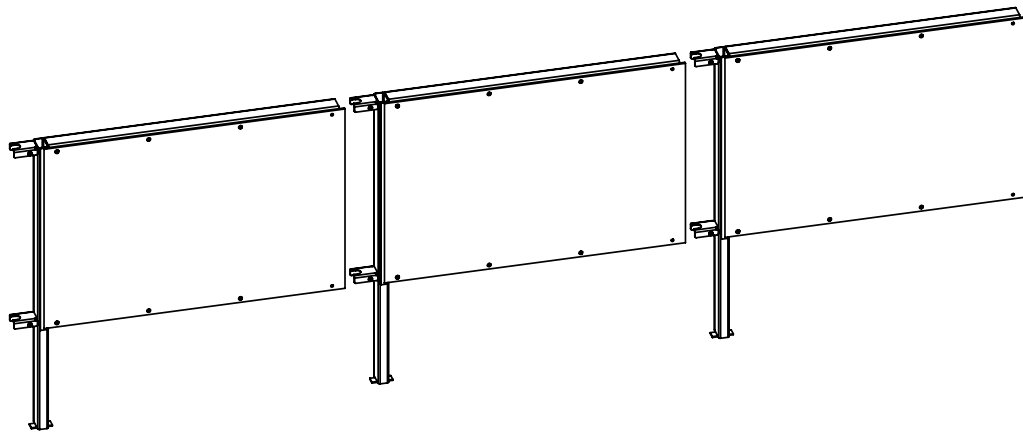
# Low boarding



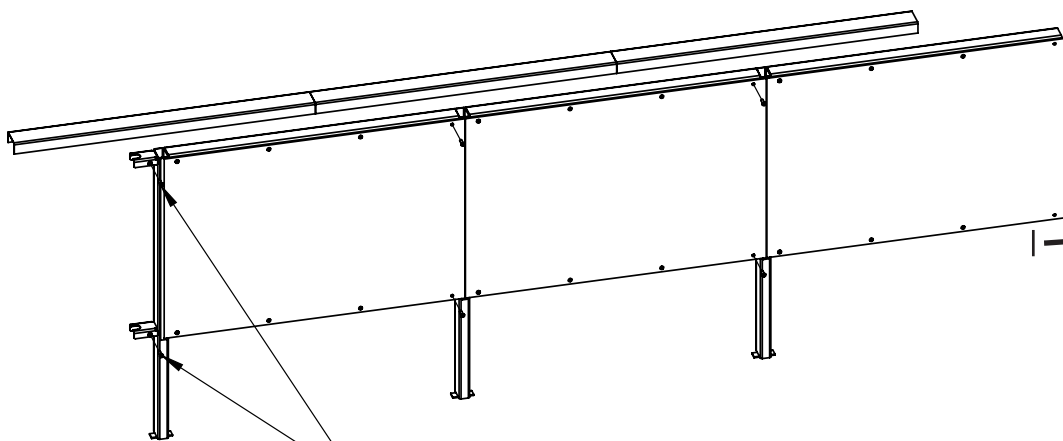
037-101	1 PCS	037-120	1 PCS	100-211	6 PCS
					
HPL plate		Low vertical member		Bolt M8 x 30 mm secured	
037-351	1 PCS	037-341	1 PCS	100-405	PCS
					
Girder top		Girder bottom		NPDM 10 x 2 mm	

100-401	PCS
	
NPDM 25 x 5 mm	

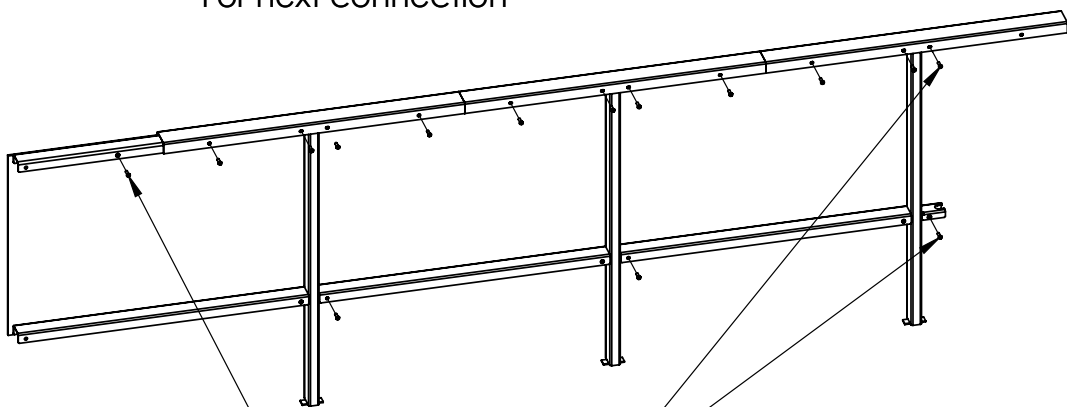




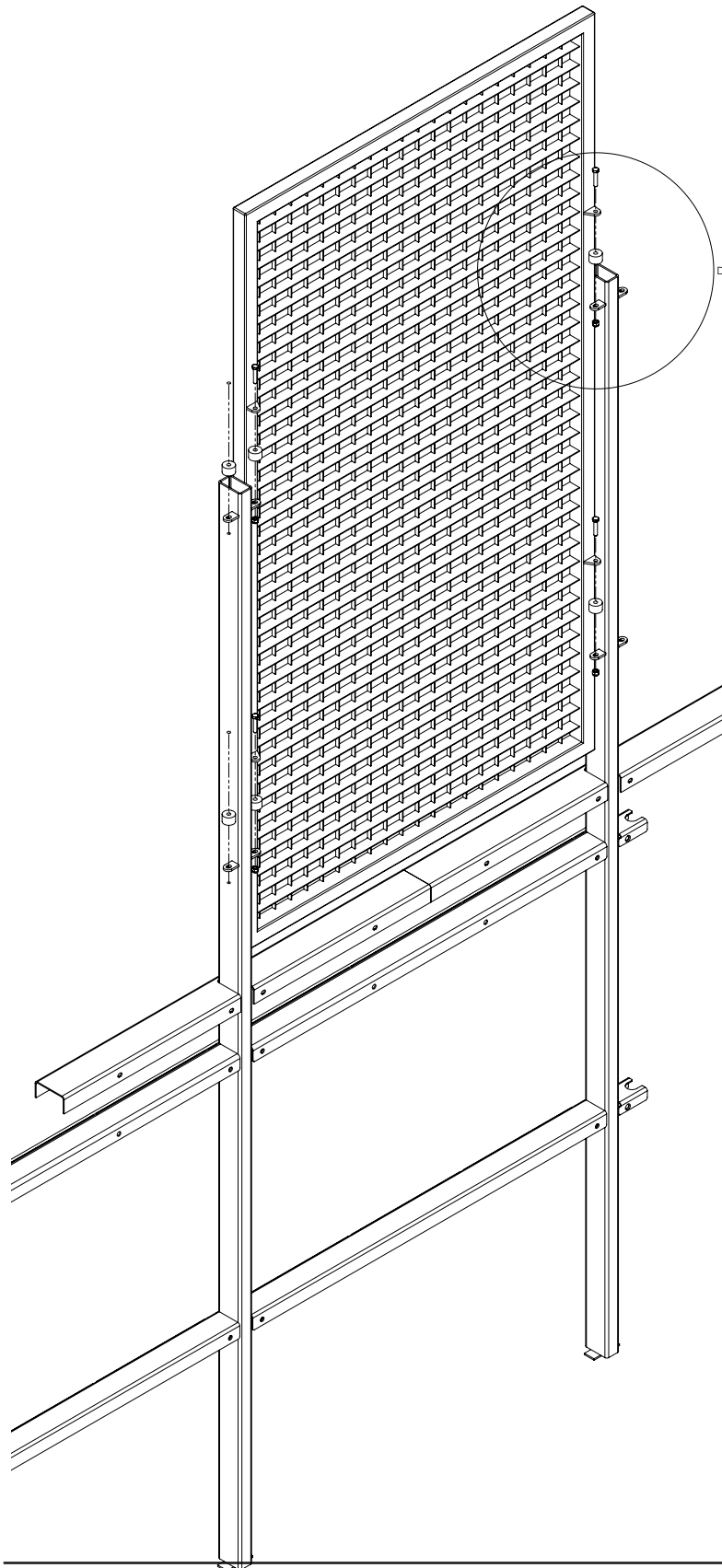
25 mm between boarding and ground


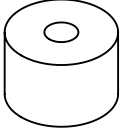
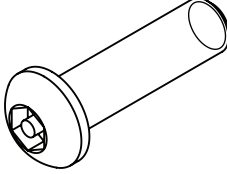
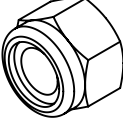


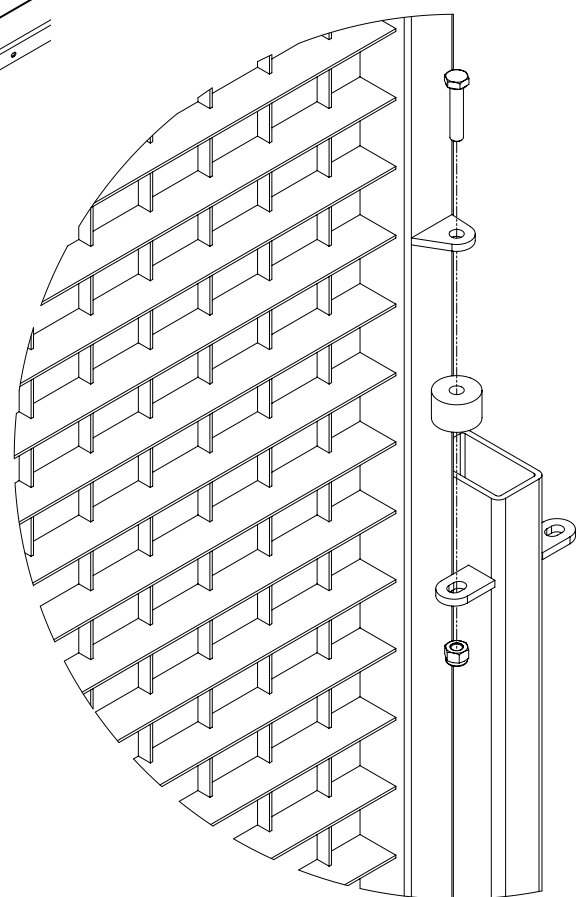
For next connection



For next connection

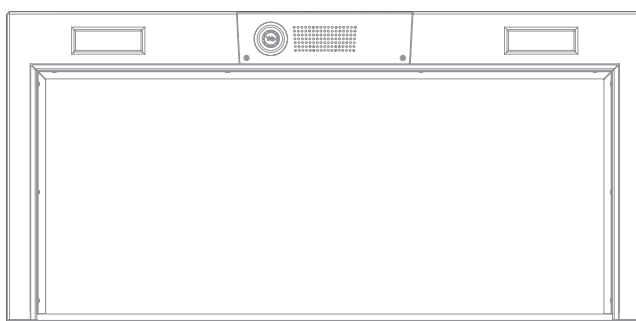


079-170	1 PCS	100-205	4 PCS
			
Default		Damper 30 x 20 x M8	
100-213	4 PCS	100-271	4 PCS
			
Bolt M8 x 40 mm secured		Torque nut M8	



# Yalp Toro

YA3805



*Installation instructions*

**EN**

*Installatievoorschrift*

**NL**

*Installationsanweisungen*

**DE**



### WARNING

Read these installation instructions before you start the installation. Retain this manual for future reference.



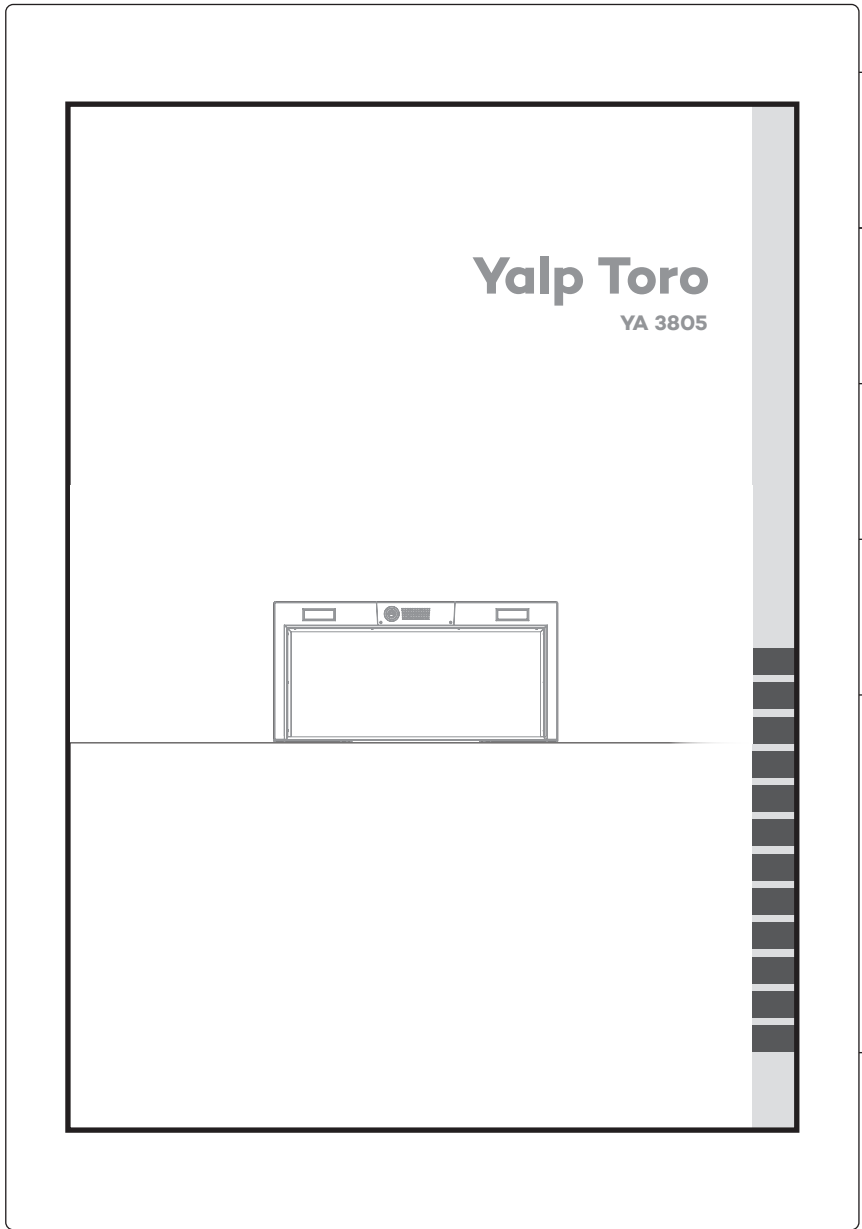
### WAARSCHUWING

Lees deze installatieinstructies voordat u dit toestel installeert. Bewaar deze handleiding voor toekomstig gebruik.

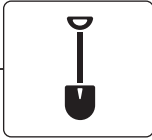


### WARNUNG

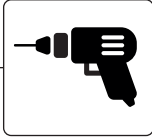
Bitte lesen Sie dieses Installationshandbuch durch, bevor Sie das Produkt installieren. Bewahren Sie dieses Handbuch zum späteren Nachschlagen auf.



A



B



C



D



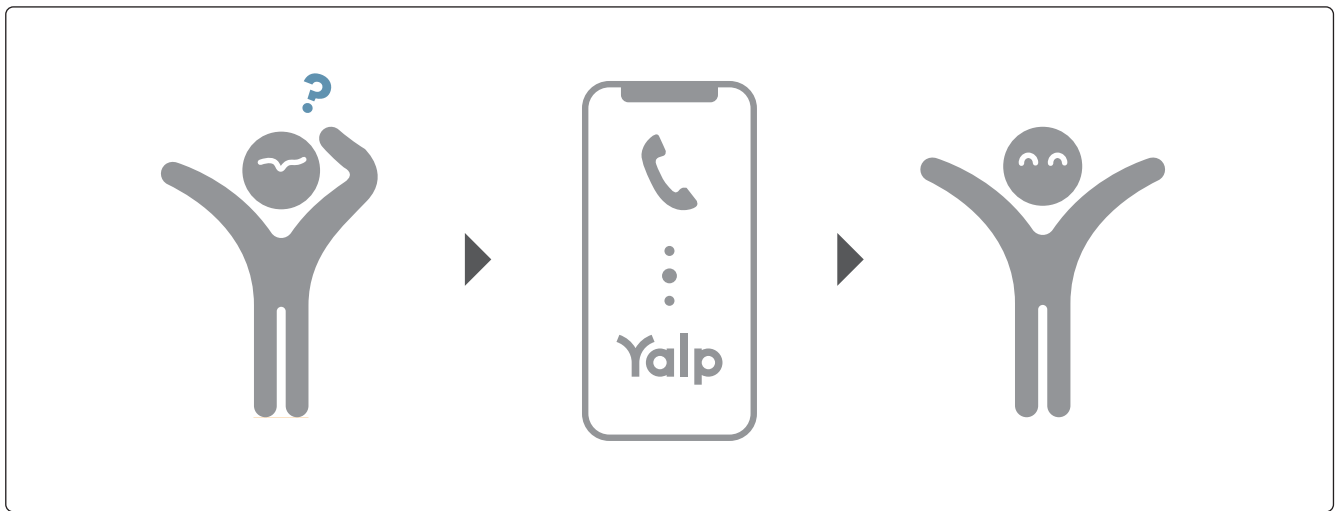
E



EN

NL

DE

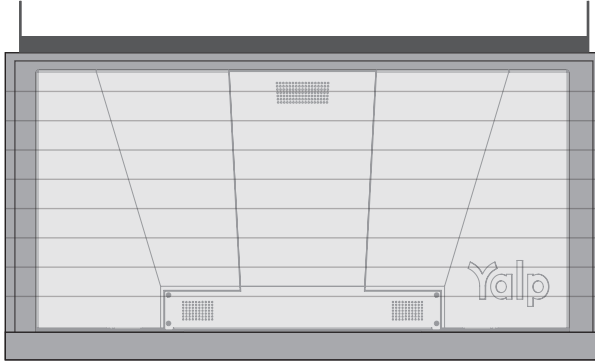


A

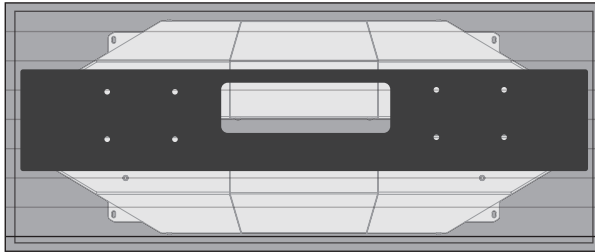
# A



A.1

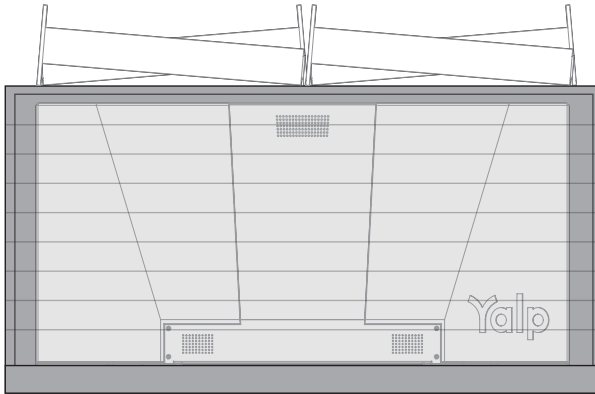


1000 mm  
[39.4"]

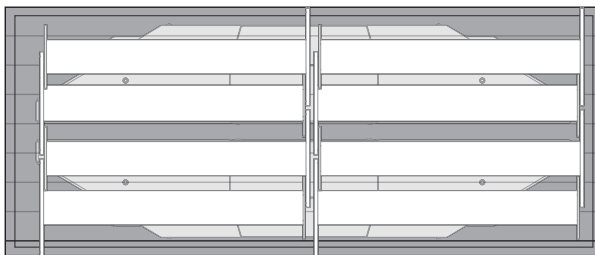


800 mm  
[31.5"]

1850 mm  
[72.8"]



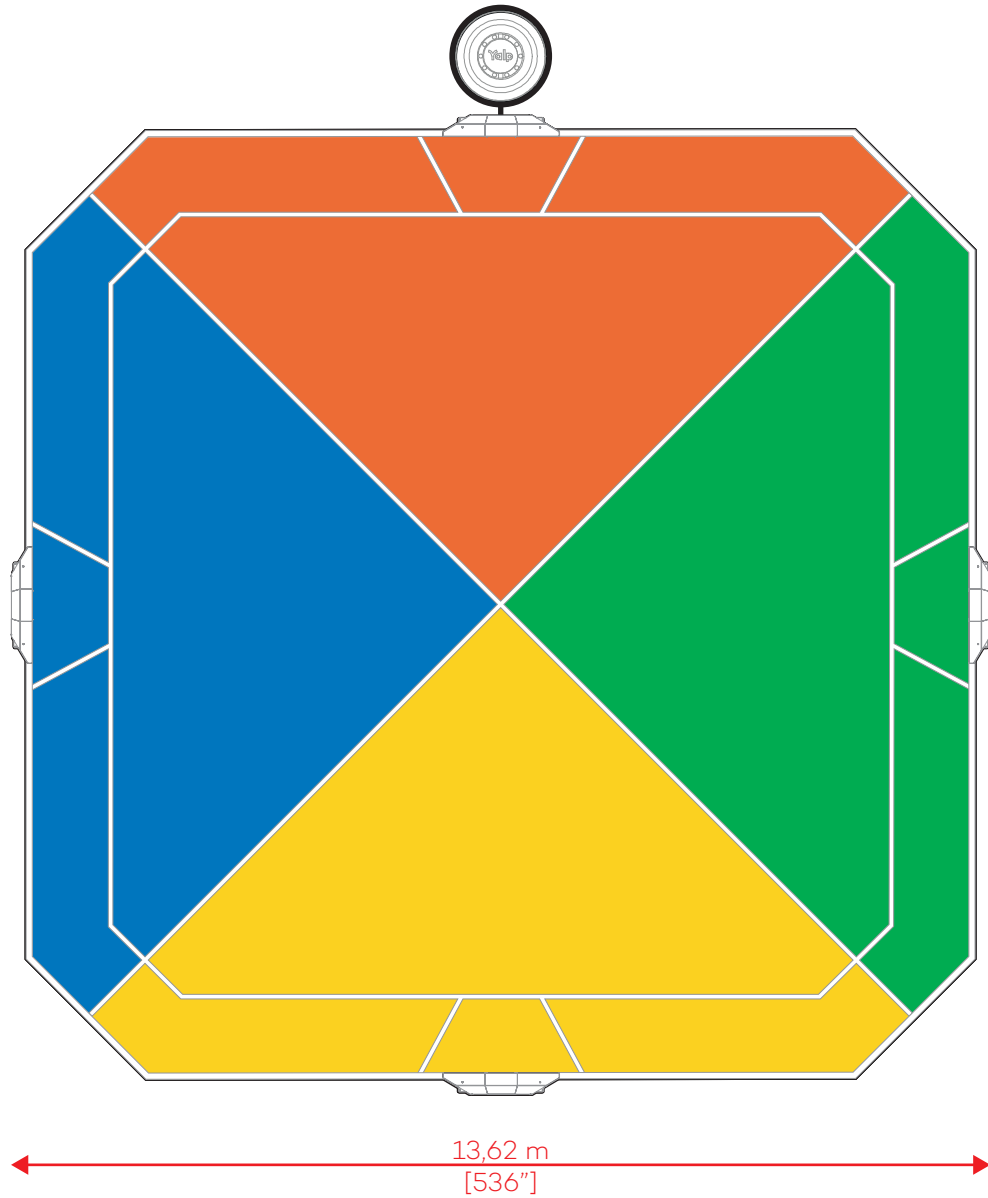
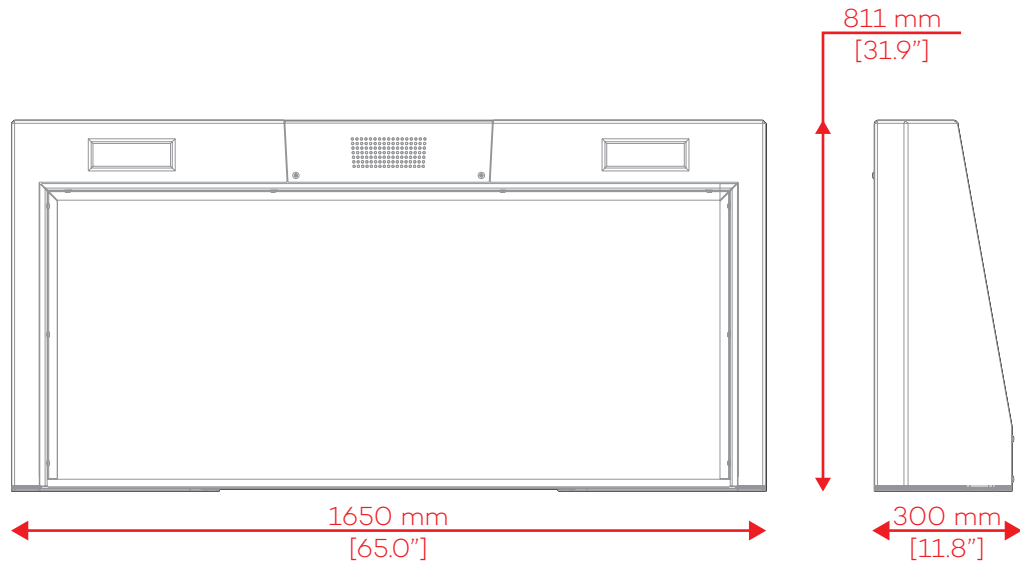
1200 mm  
[47.2"]



800 mm  
[31.5"]



A.2



A

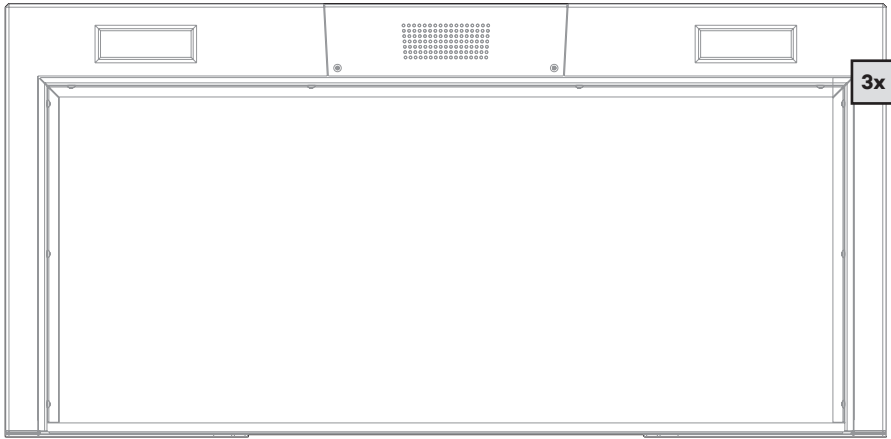
B

C

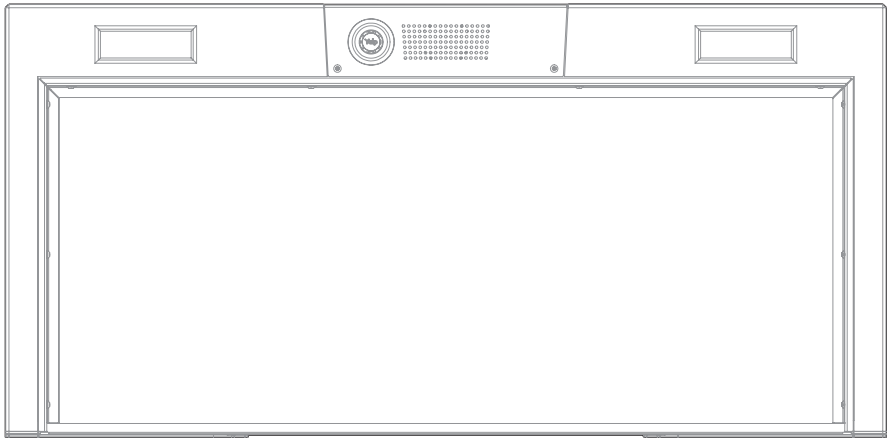
D

E

**A.3**



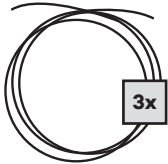
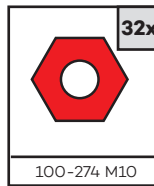
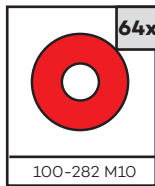
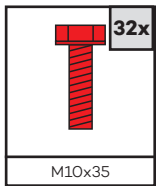
3810-001



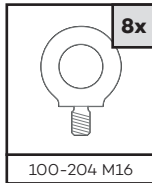
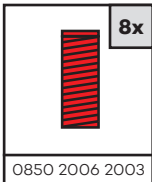
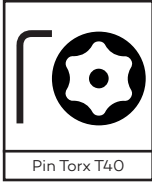
3810-002



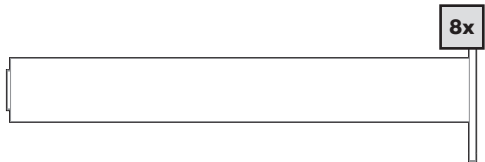
3810-095



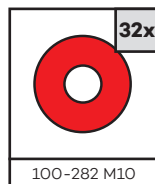
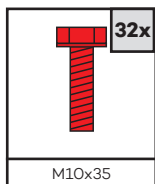
Data, 15 m



**B**



3810-090



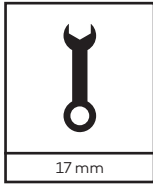
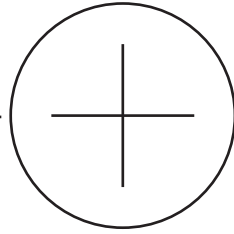
A

B

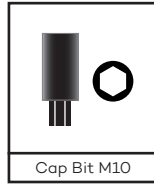
C

D

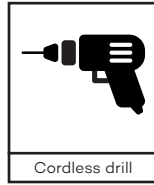
E



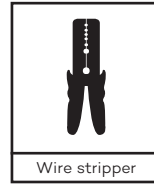
17 mm



Cap Bit M10



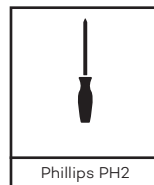
Cordless drill



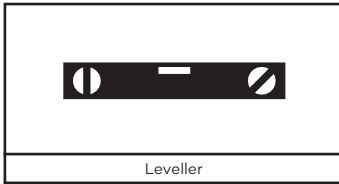
Wire stripper



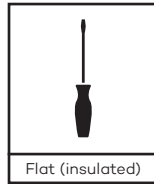
Measuring tape



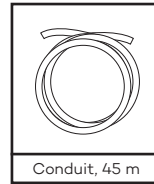
Phillips PH2



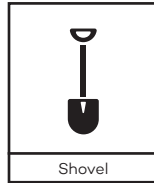
Leveller



Flat (insulated)



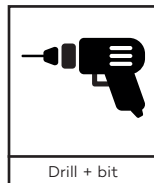
Conduit, 45 m



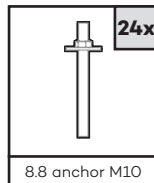
Shovel



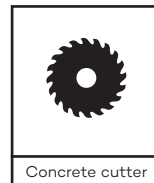
1850 kg C20/25



Drill + bit

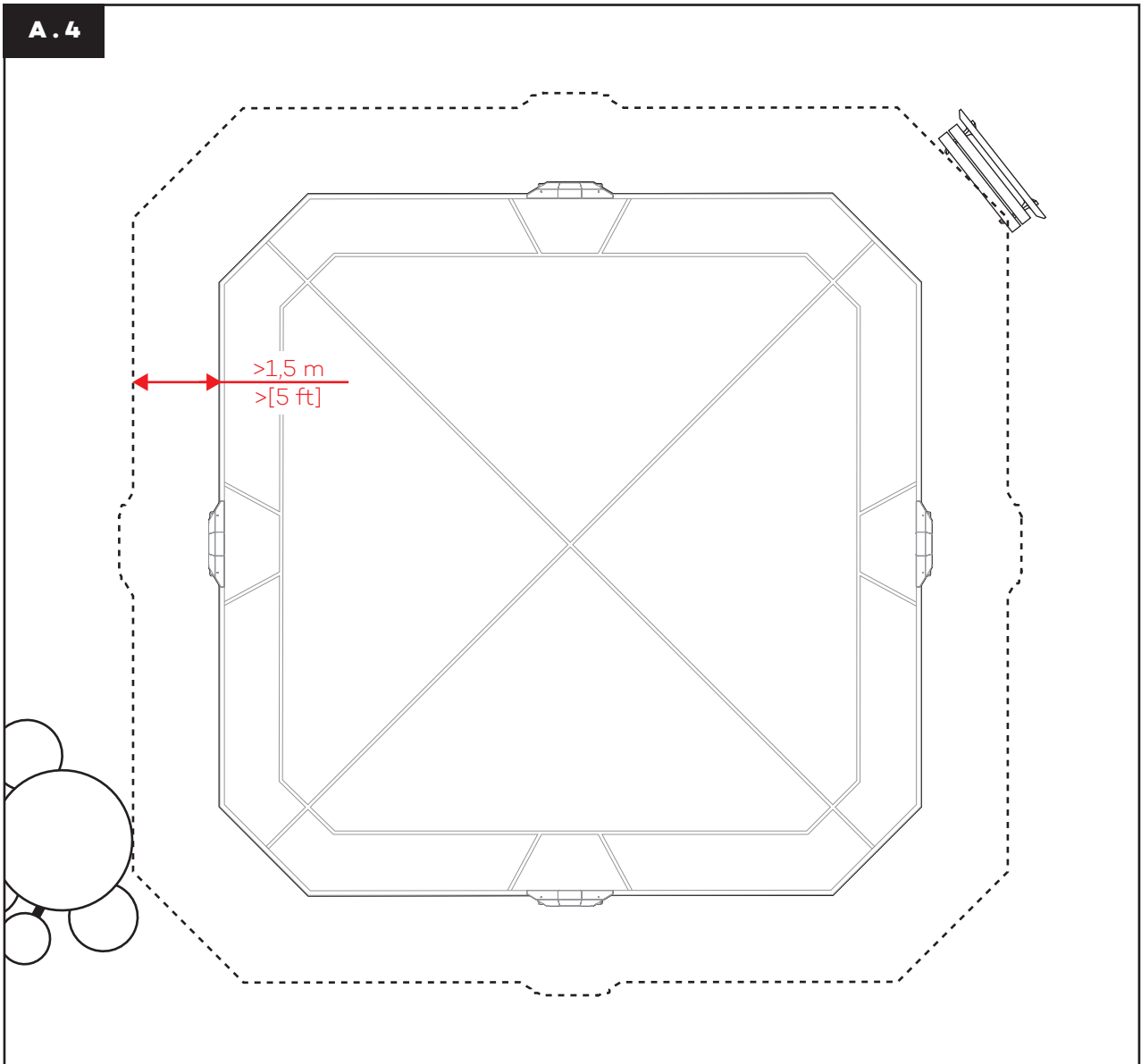


8.8 anchor M10

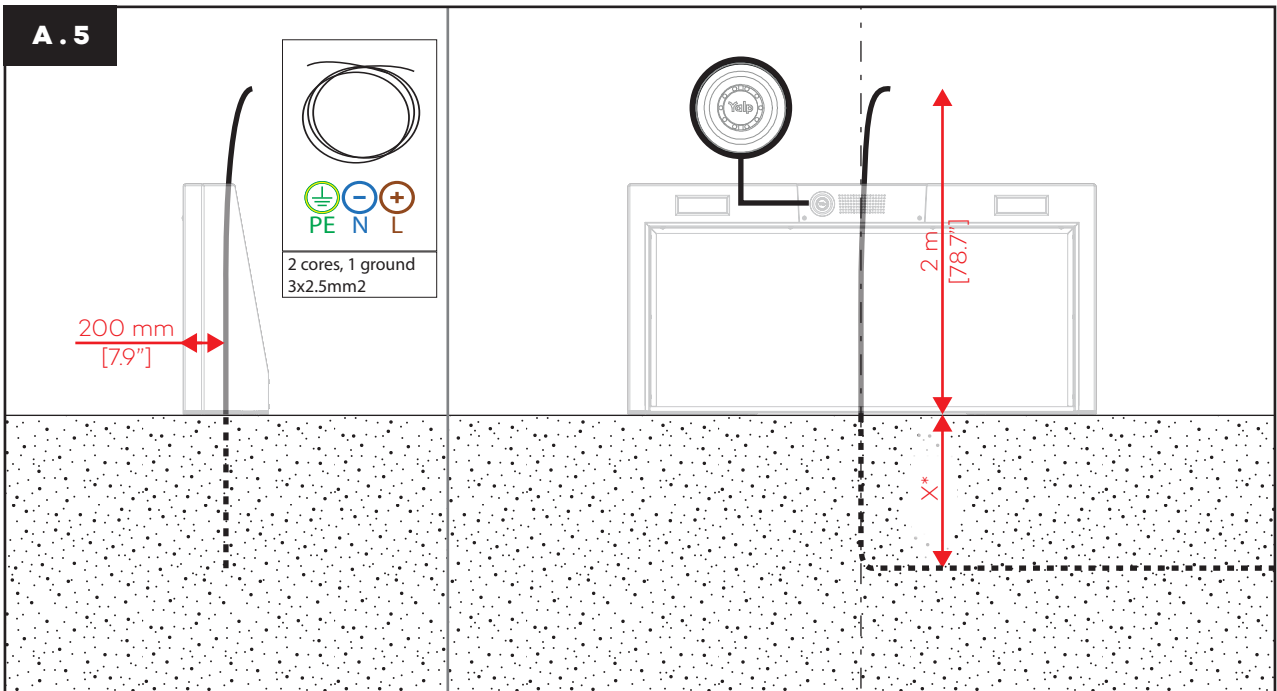


Concrete cutter

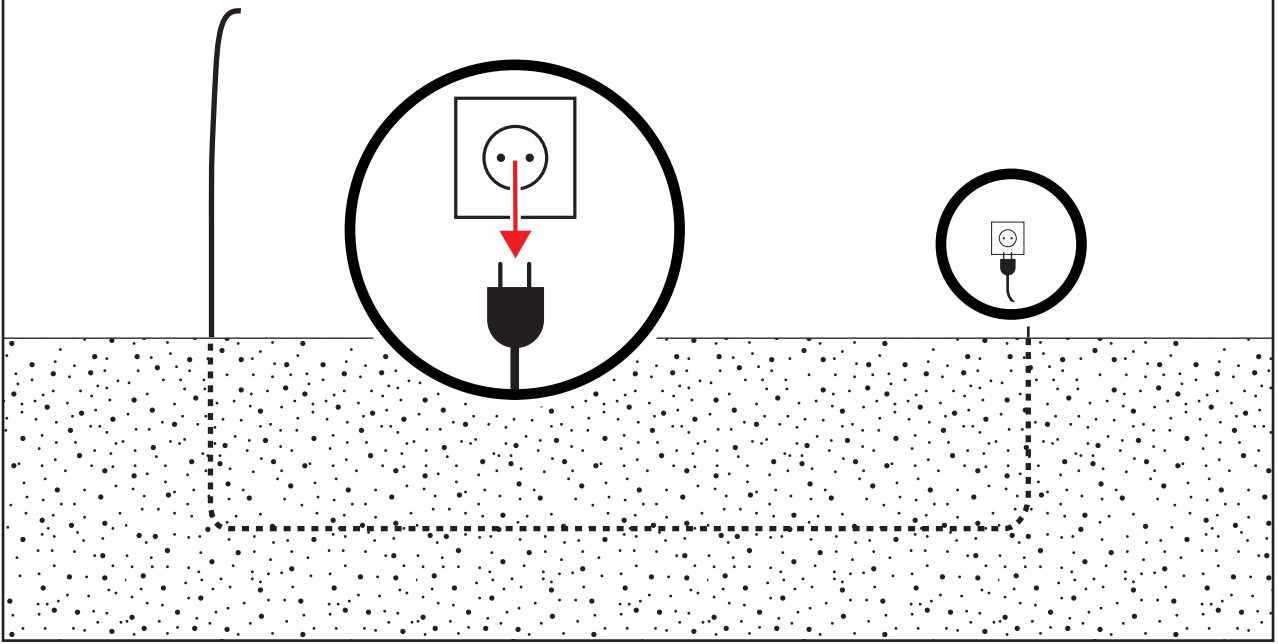
**A.4**



**A.5**



A.6



A

B

C

D

E

A.7

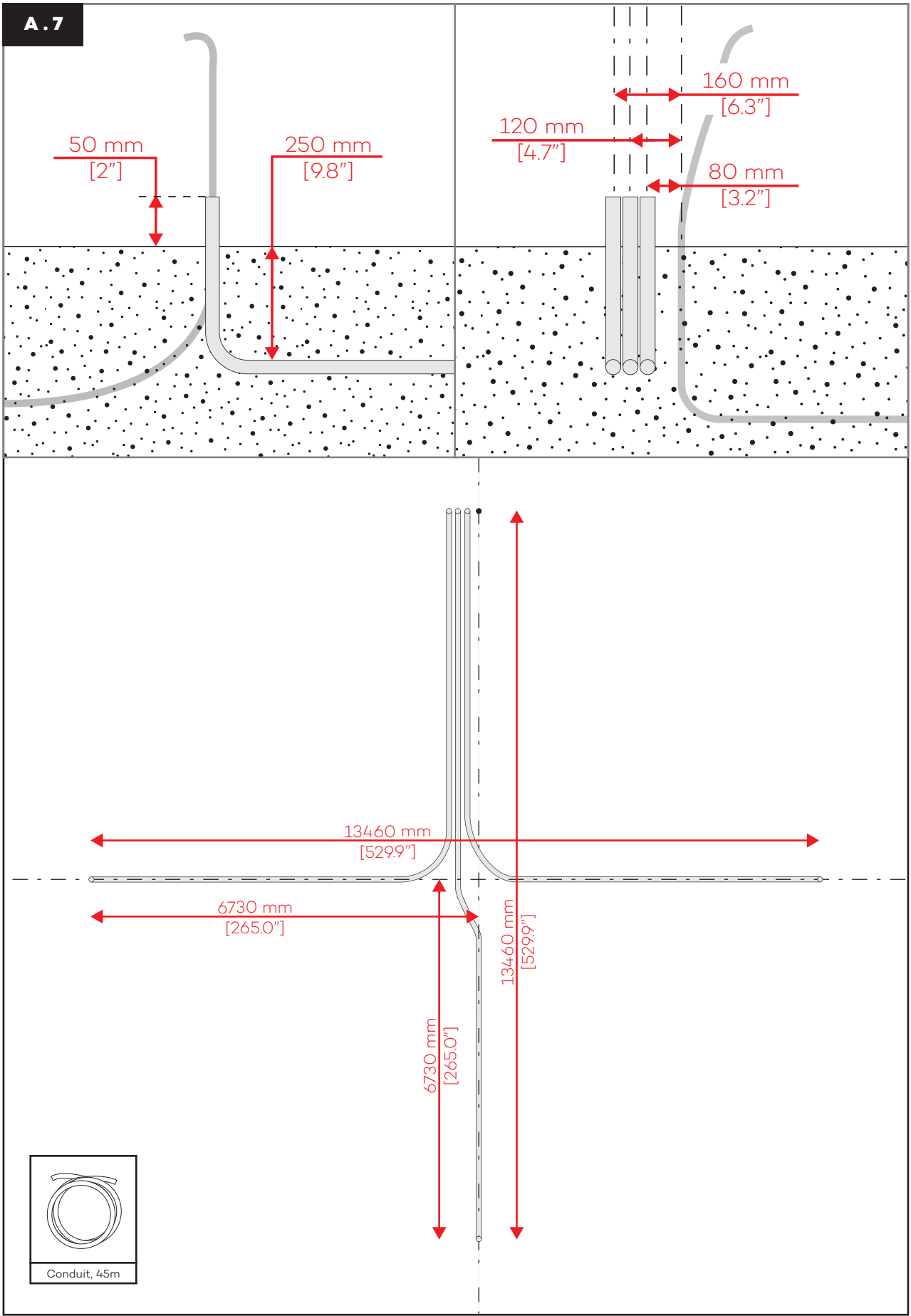
A

B

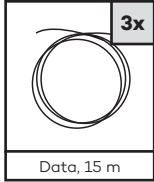
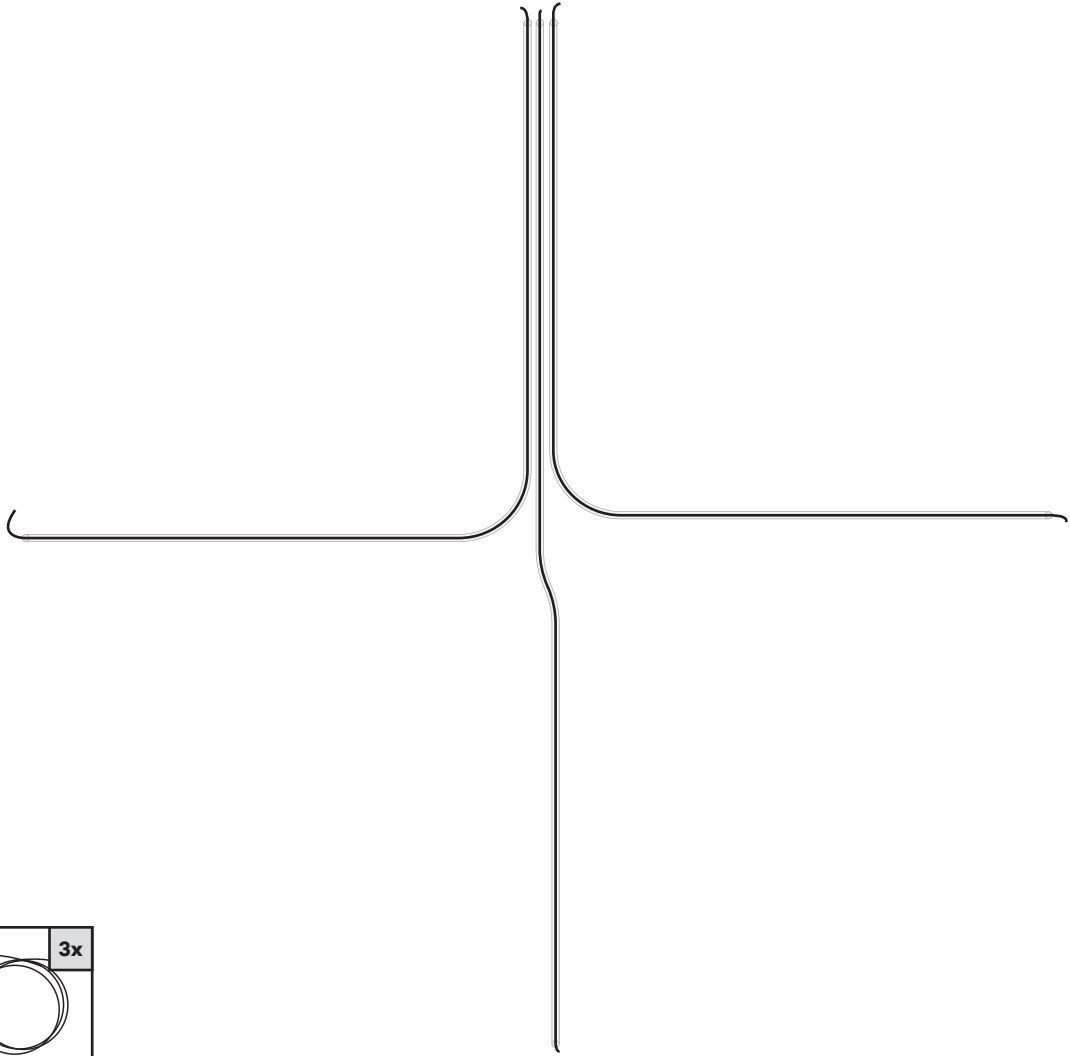
C

D

E



A.8



A

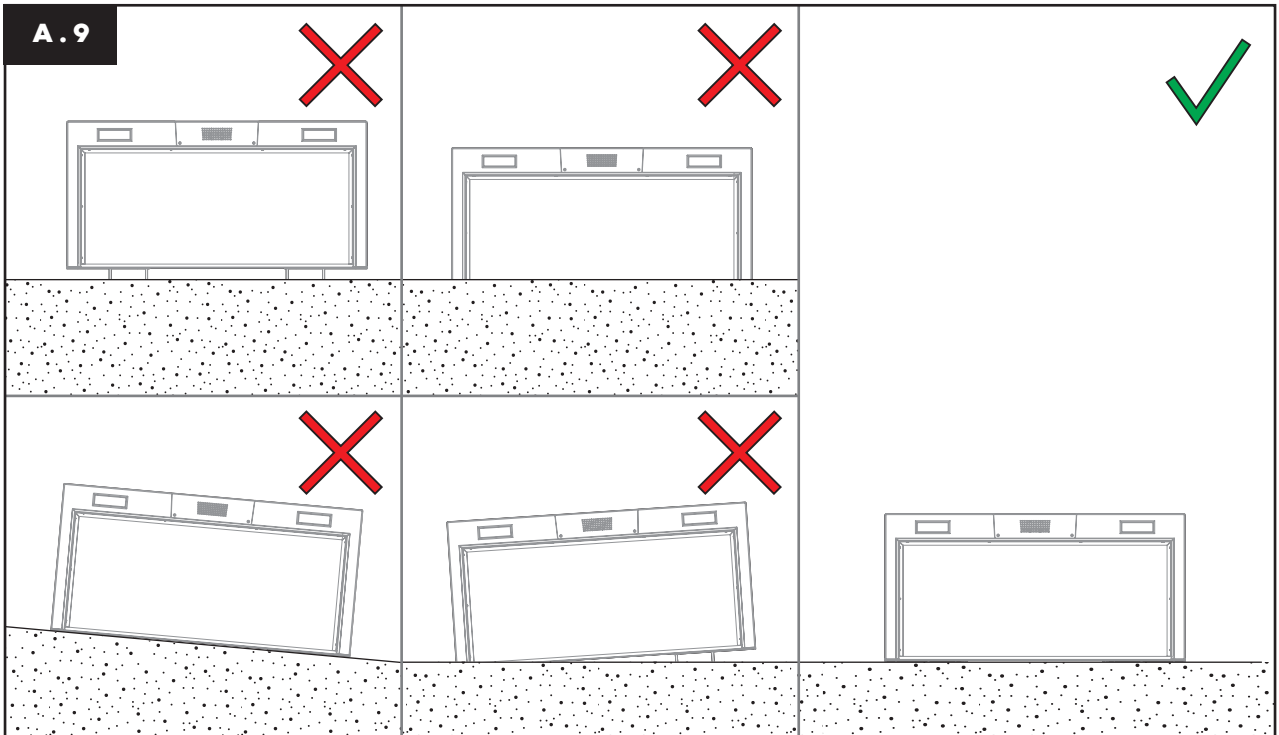
B

C

D

E

A.9



A . 10

A

→ B

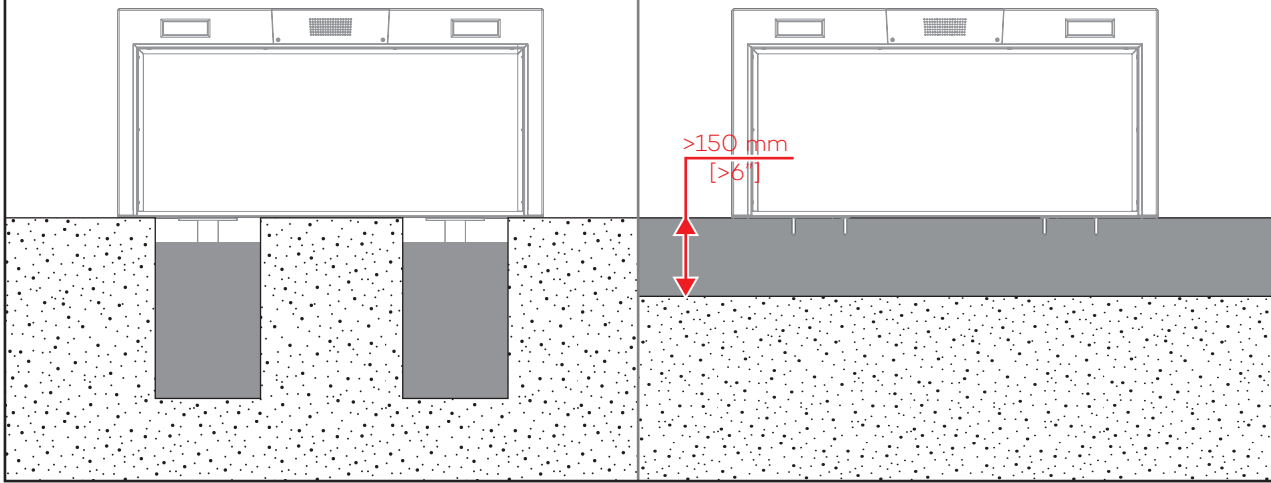
→ C

B

C

D

E





# B



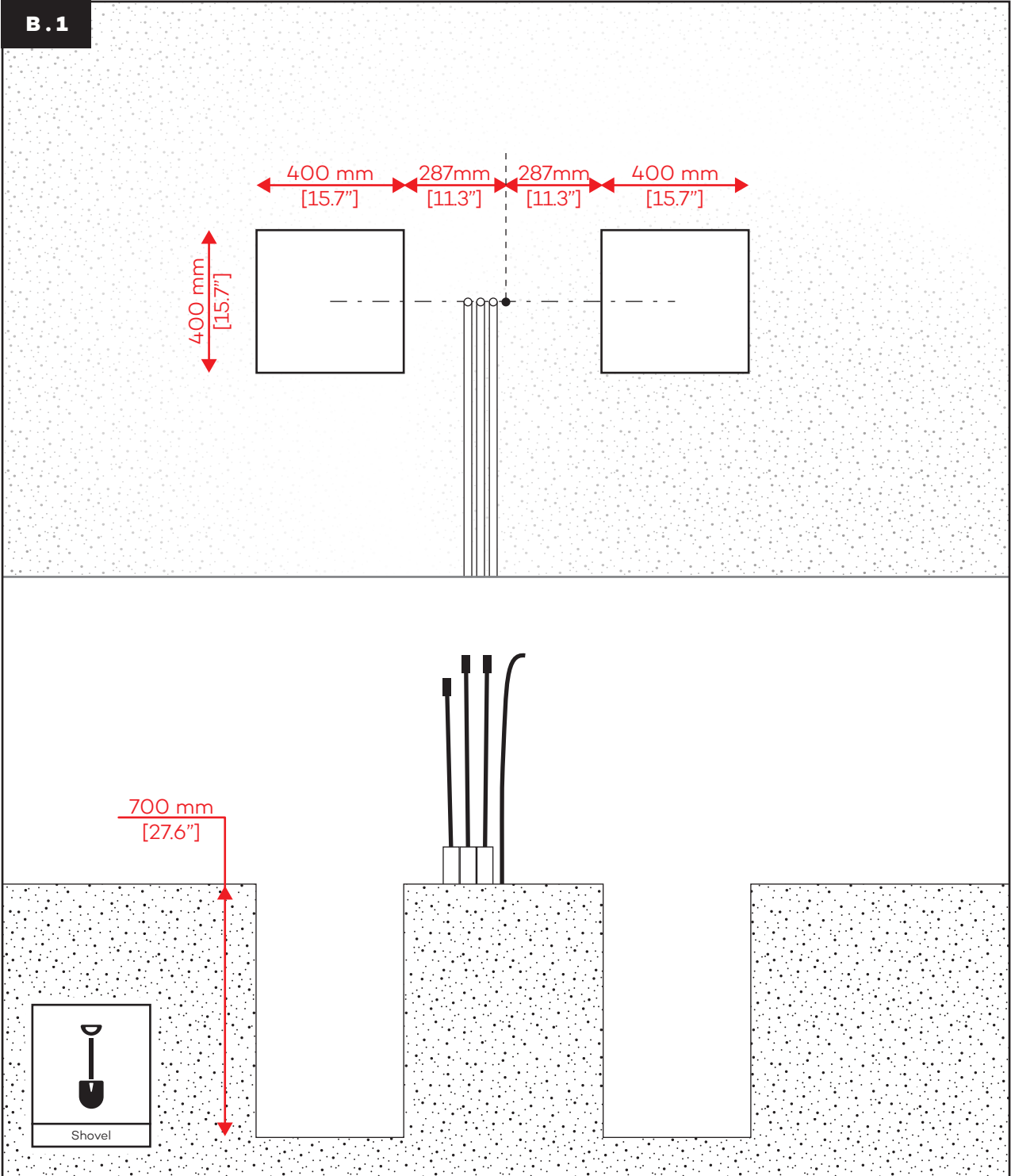
A

B

C

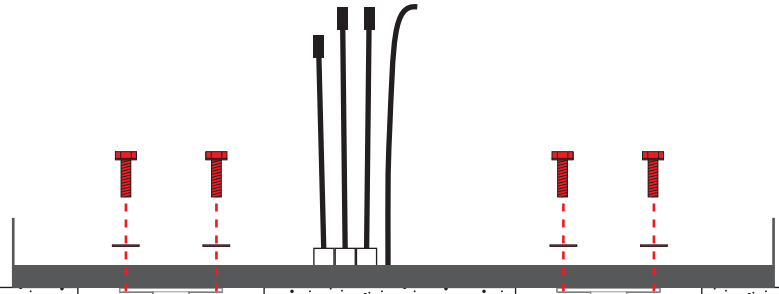
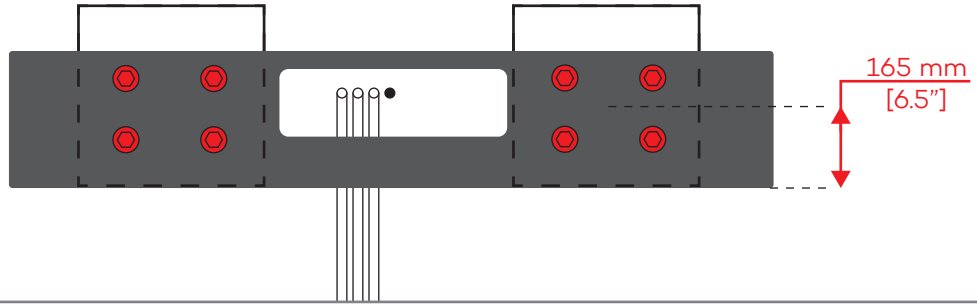
D



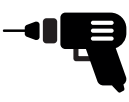



E



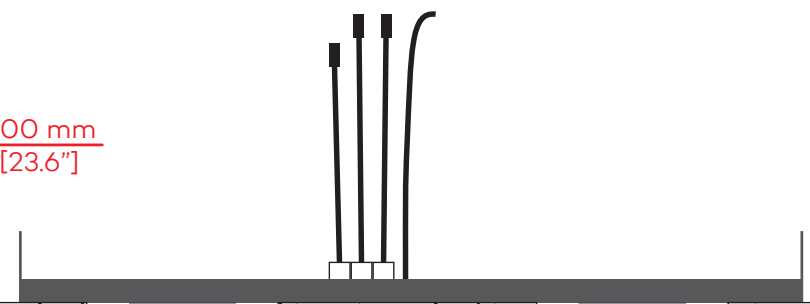
A  
B  
C  
D  
E

**B. 2**



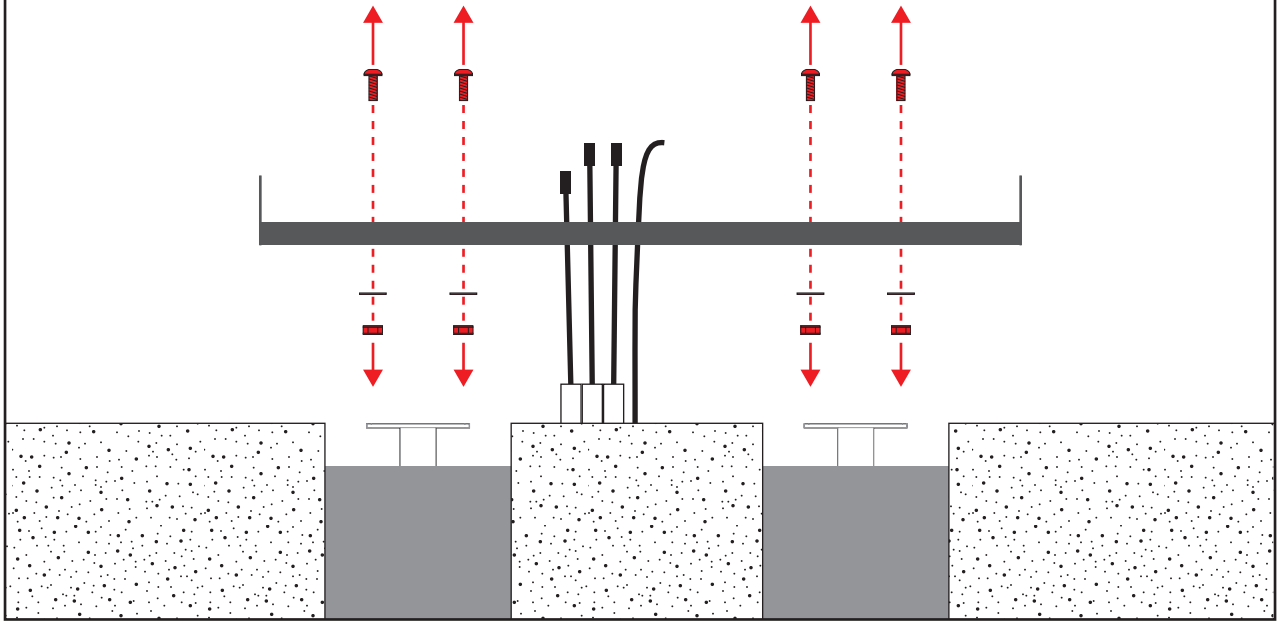
-  17 mm
-  Cap Bit M10
-  Cordless drill
-  8x M10x35
-  16x 100-282 M10
-  8x 100-274 M10

**B. 3**

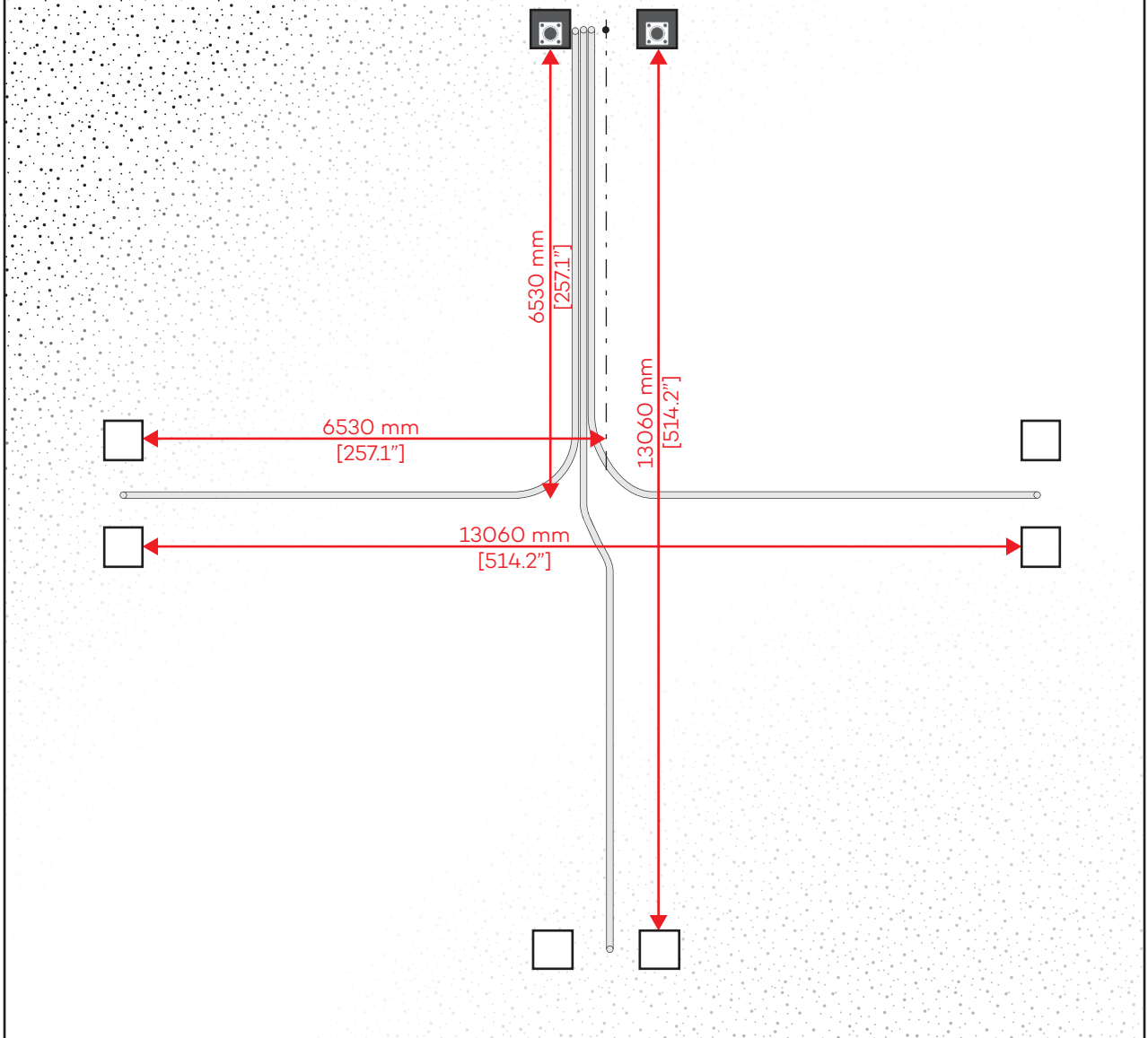


-  1850 kg C20/25

B.4



B.5



A

B

C

D

E

A

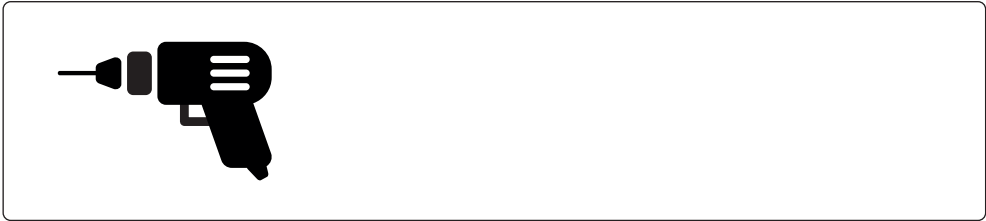
B

C

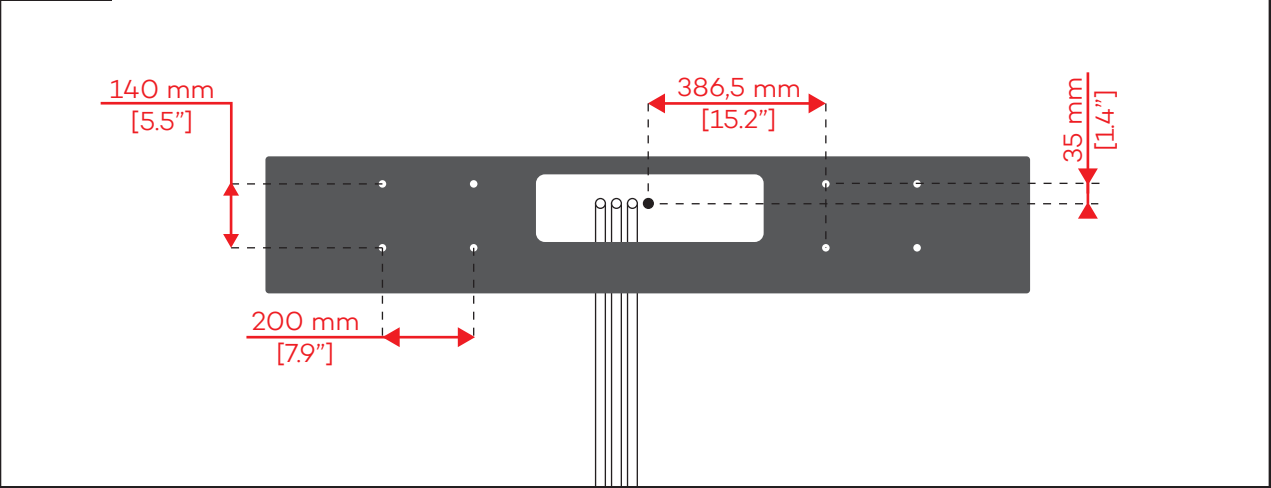
D

E

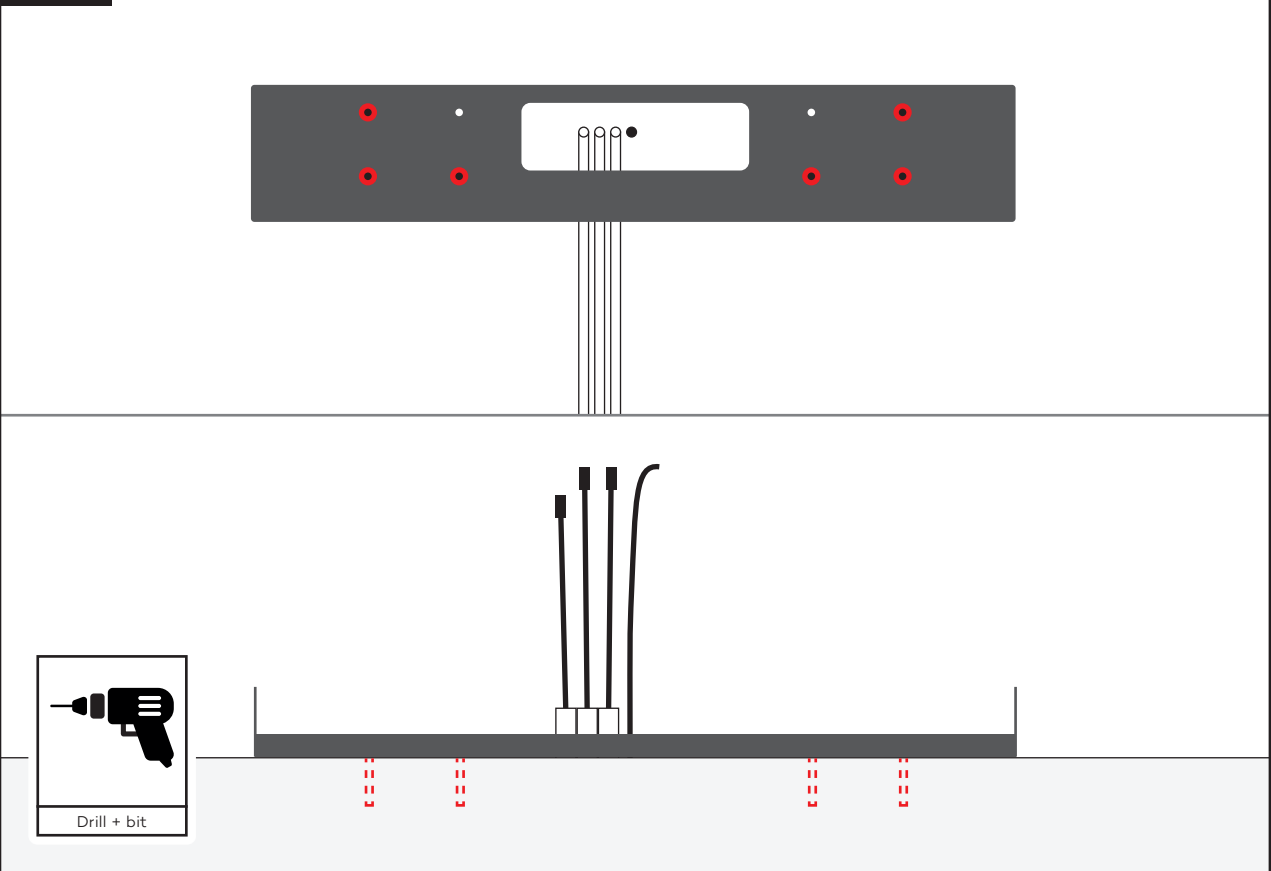
# C



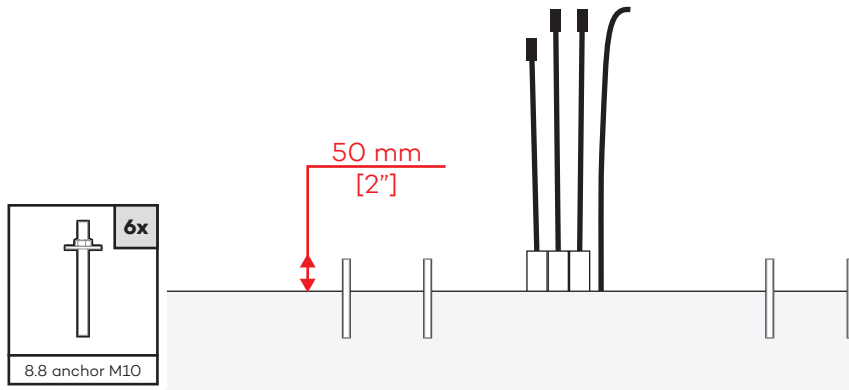
### C.1



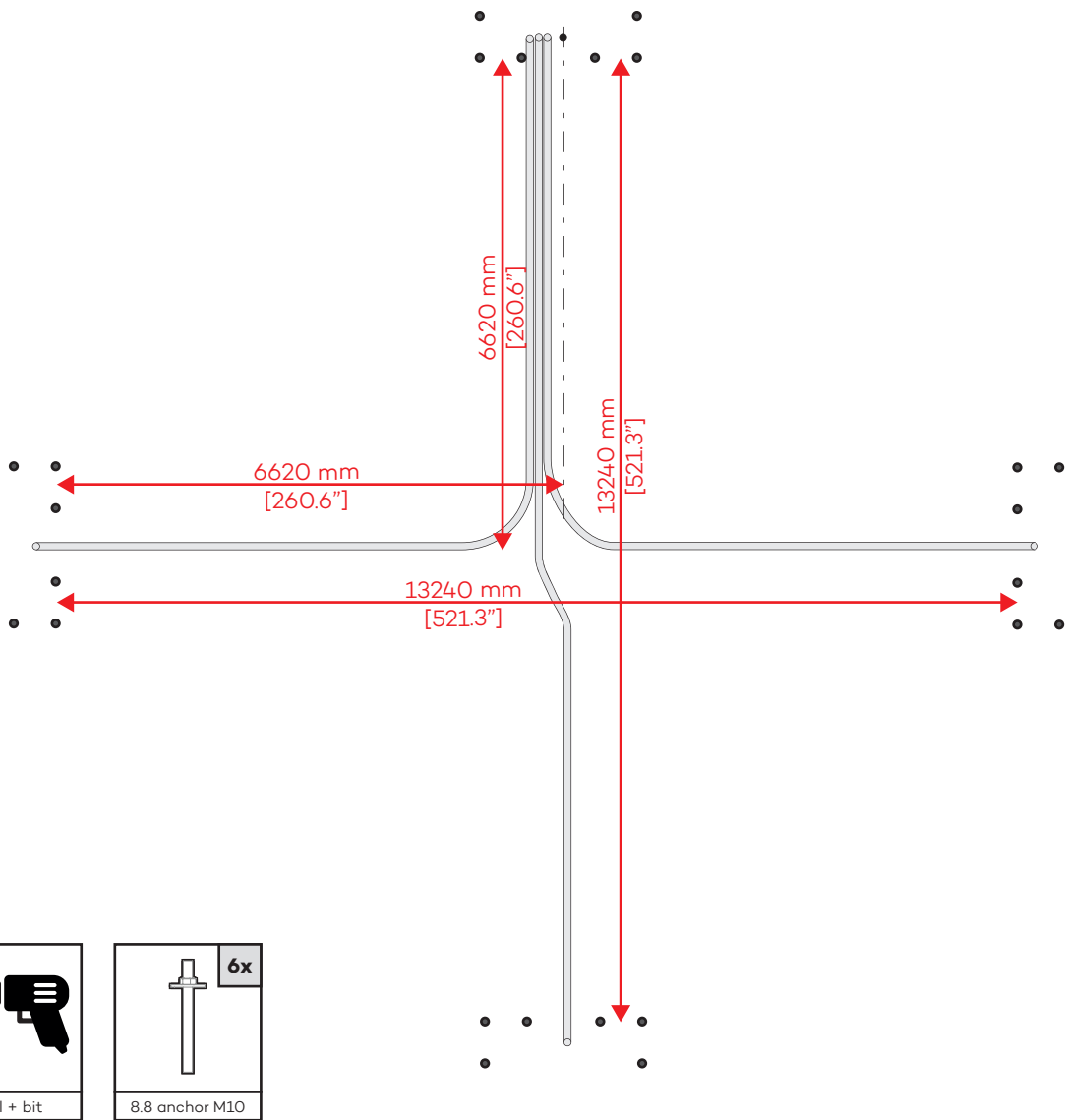
### C.2



C.3



C.4



A

B

C

D

E

A

B

C

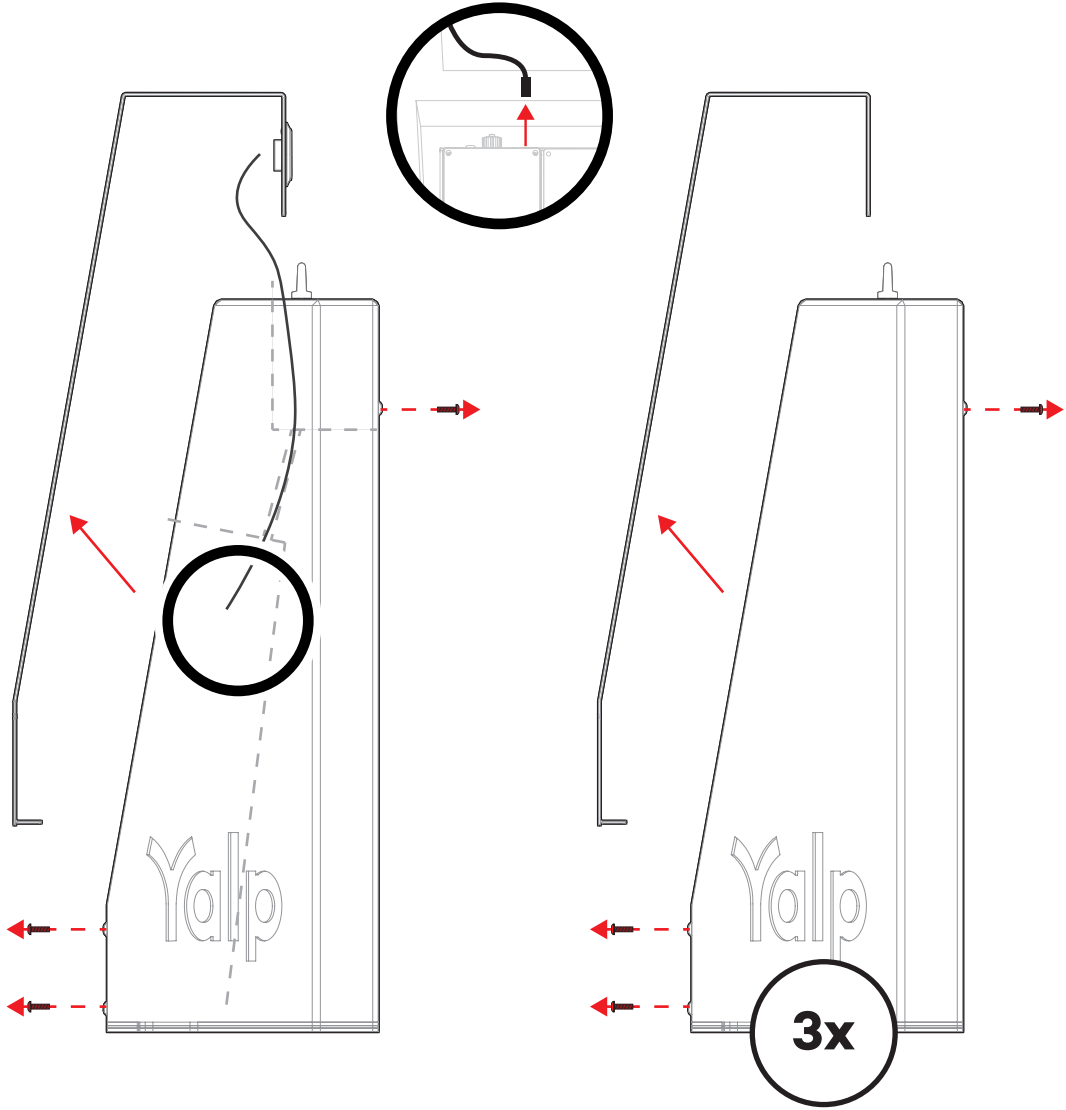
D

E

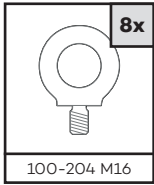
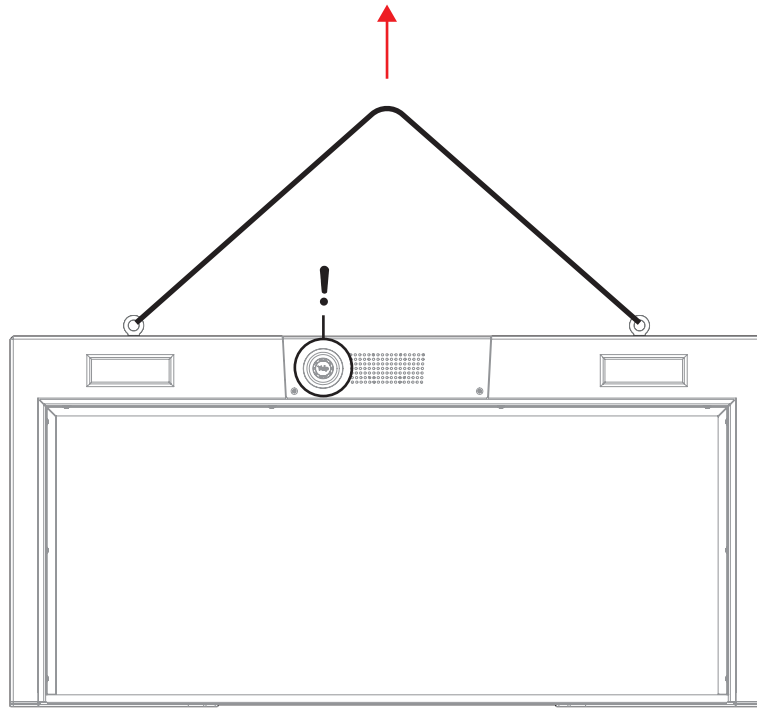
# D



D.1



D.2



A

B

C

D

E

D.3

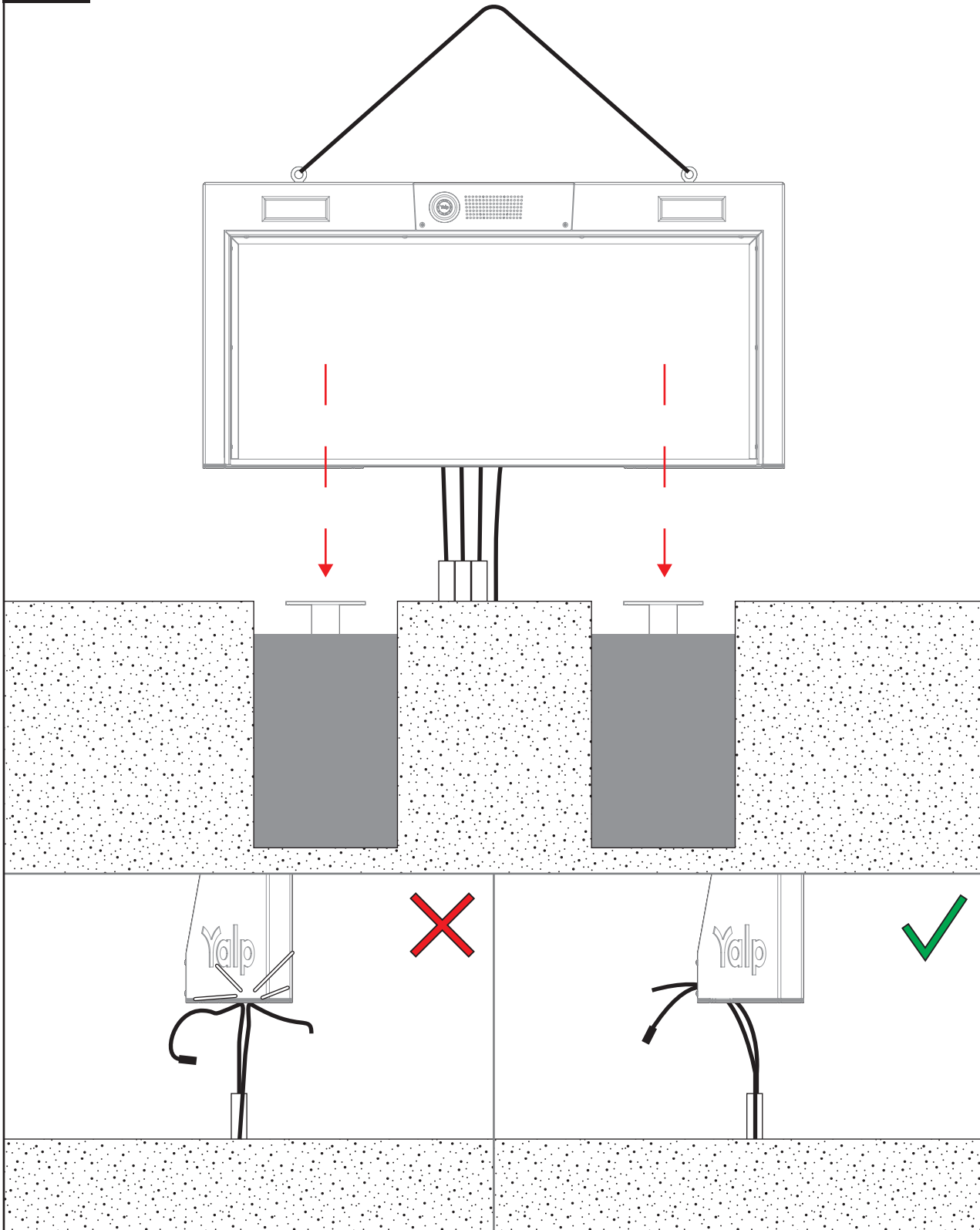
A

B

C

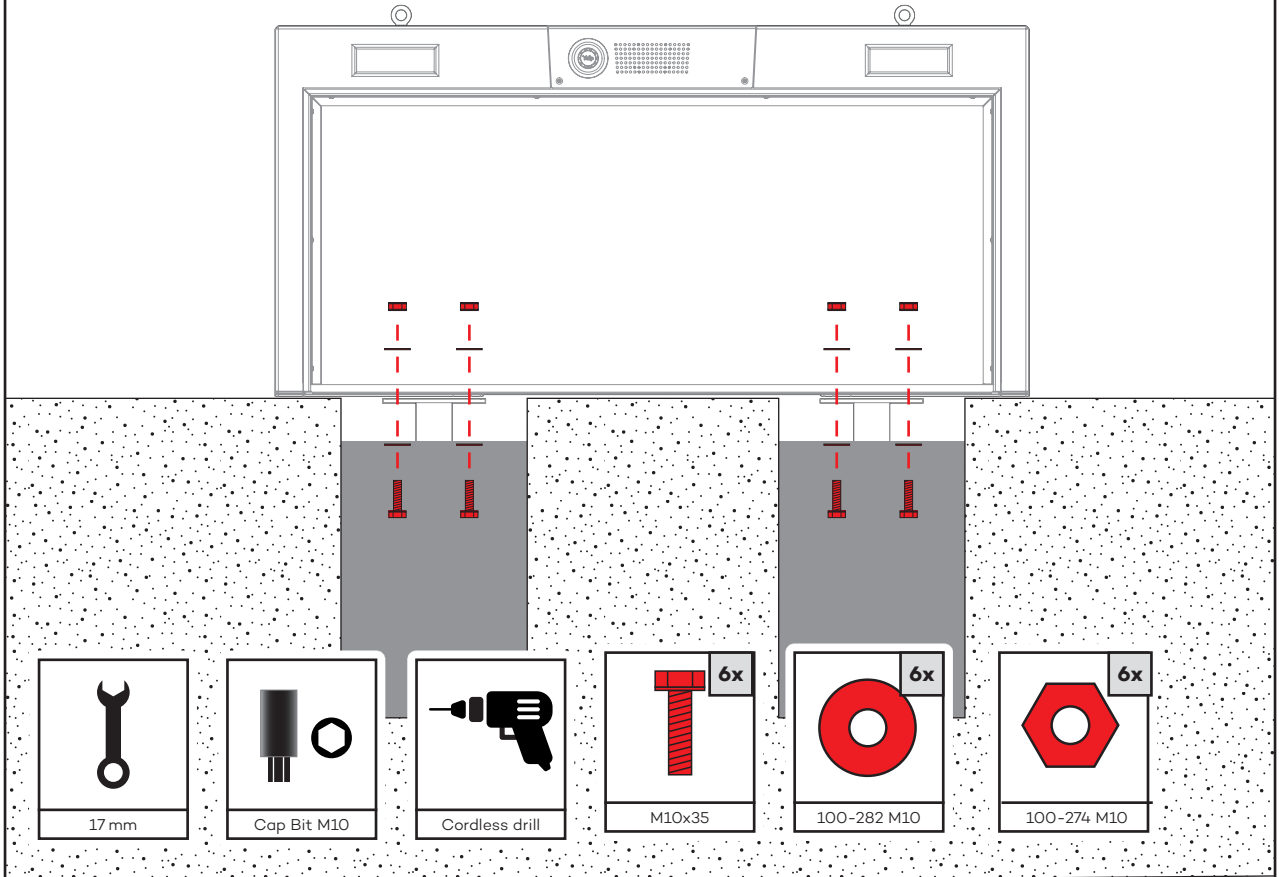
D

E

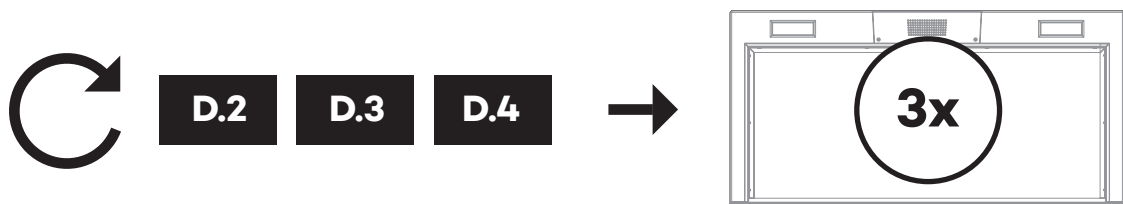




D.4



D.5



A

B

C

D

E

D.6

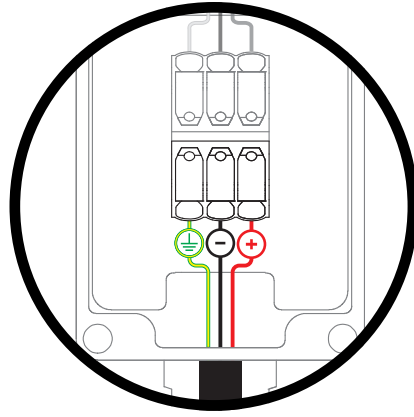
A

B

C

D

E



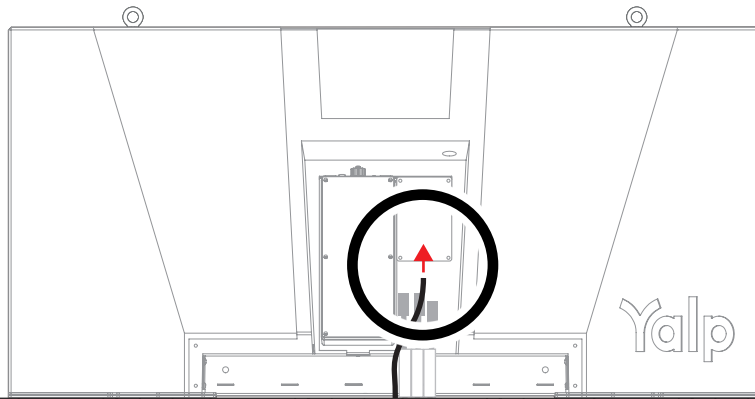
**⚠ WARNING**

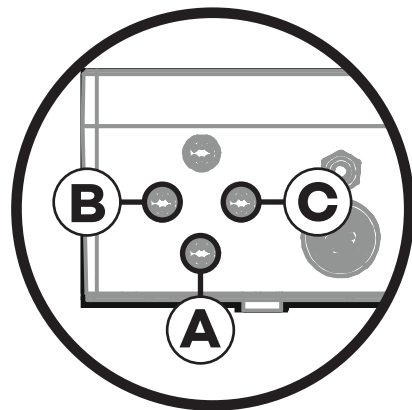
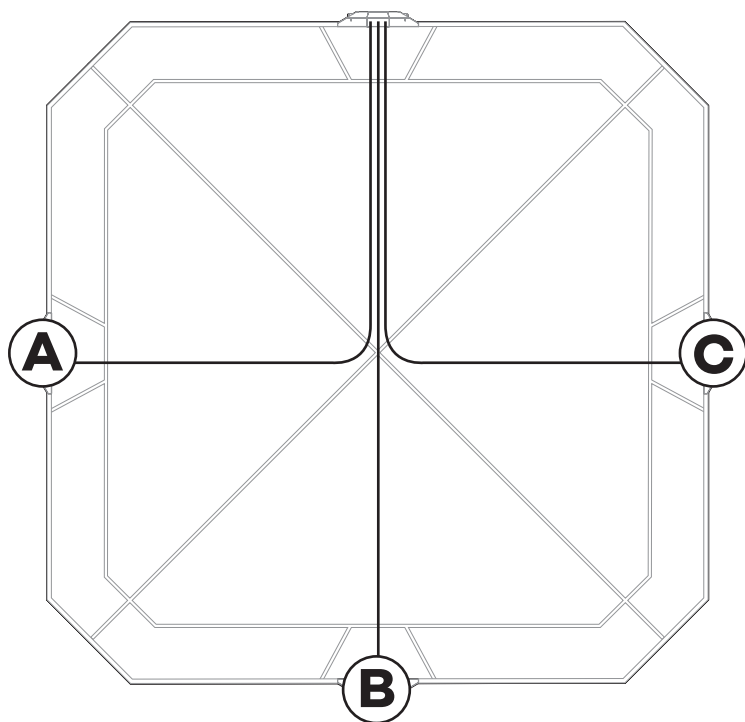
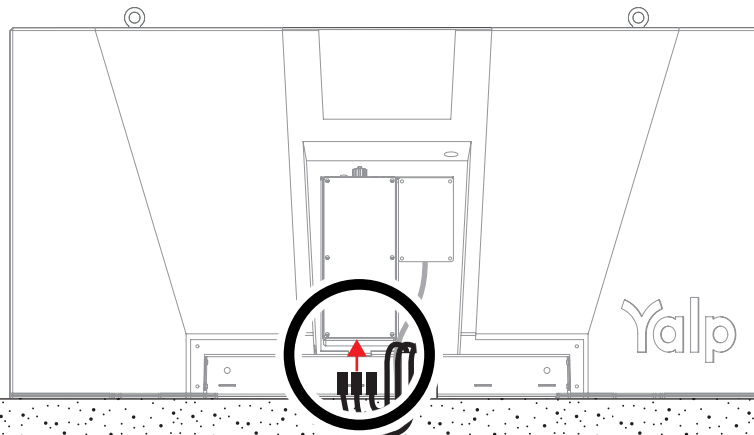
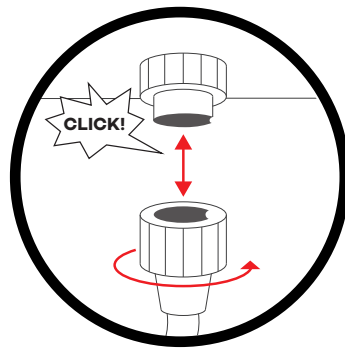
A warning symbol consisting of a yellow triangle with a black lightning bolt inside, indicating a high voltage or electrical hazard.

**⚠ NOTICE**

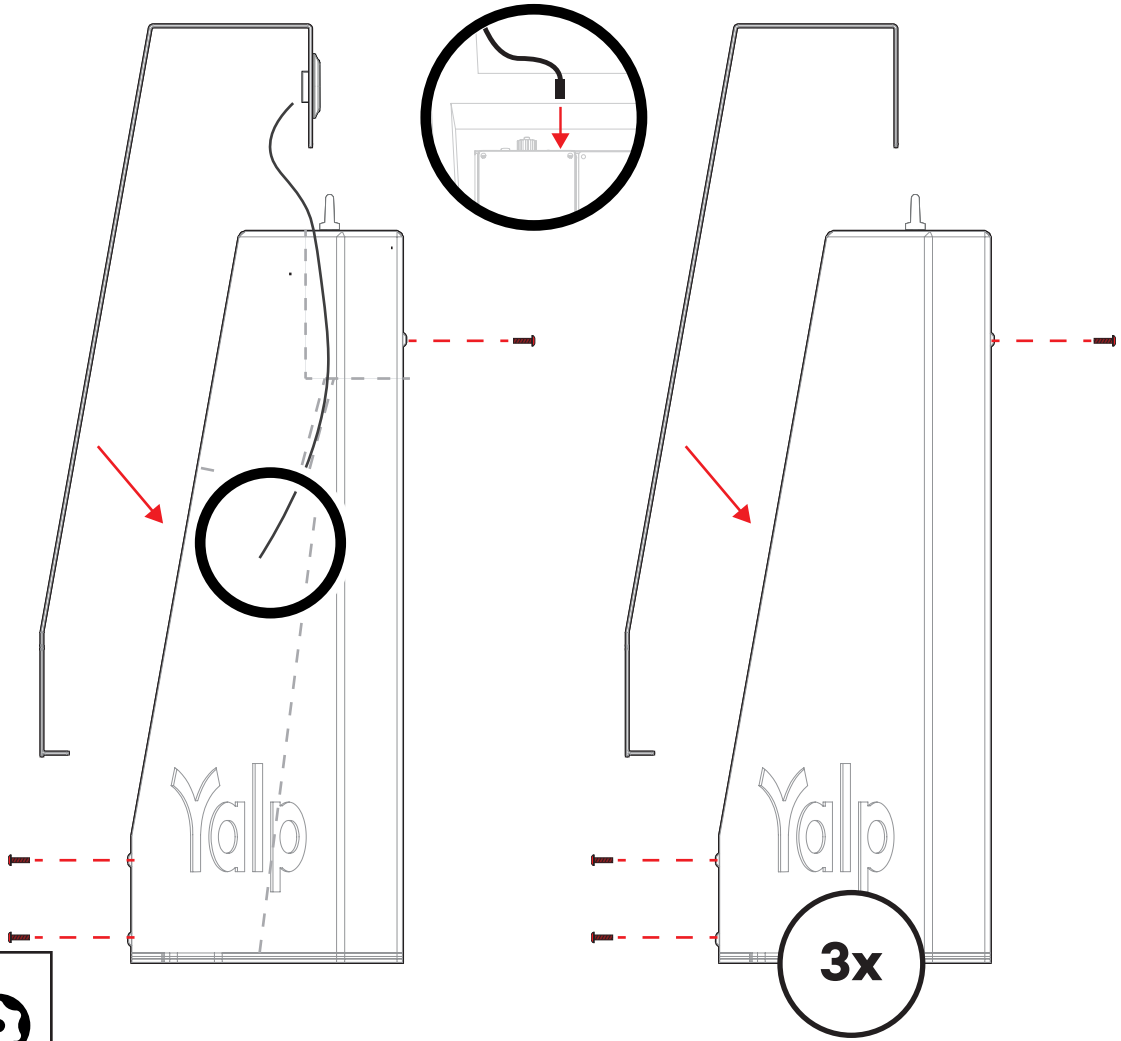
⚡ PE N L

A notice symbol consisting of a blue triangle with a white lightning bolt inside, indicating a specific safety instruction. Below it are three circular symbols: a green circle with a ground symbol and 'PE', a blue circle with a minus sign and 'N', and a red circle with a plus sign and 'L'.

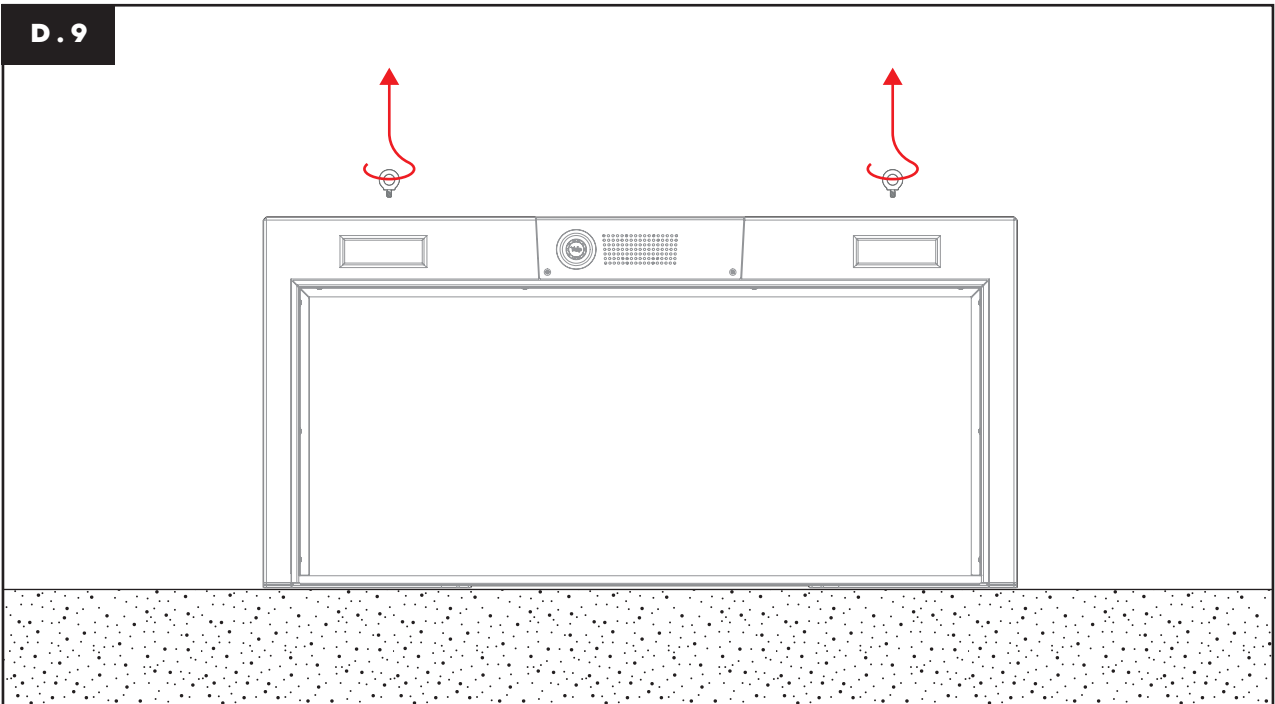




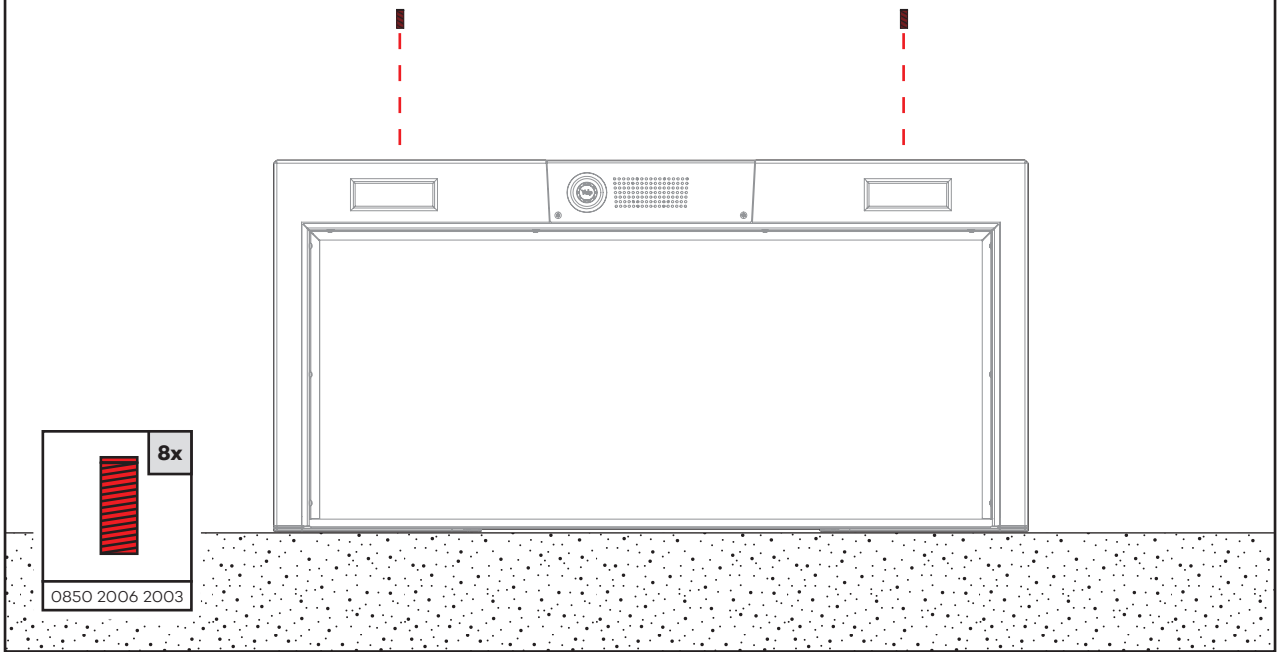
D.8



D.9



D.10



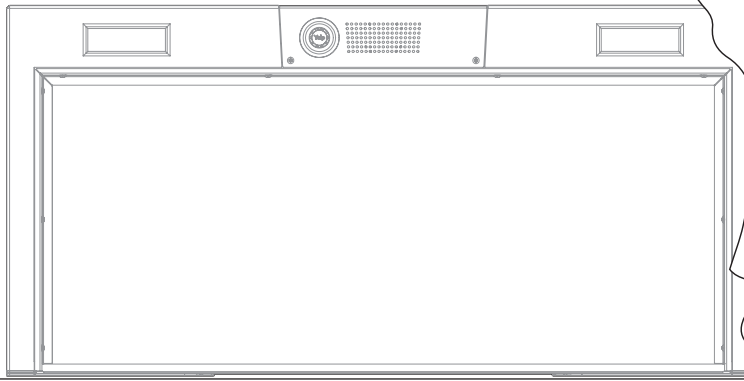
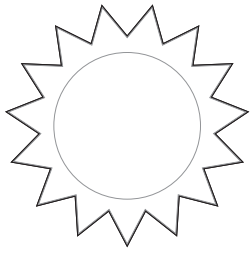
A

B

C

D

E



A

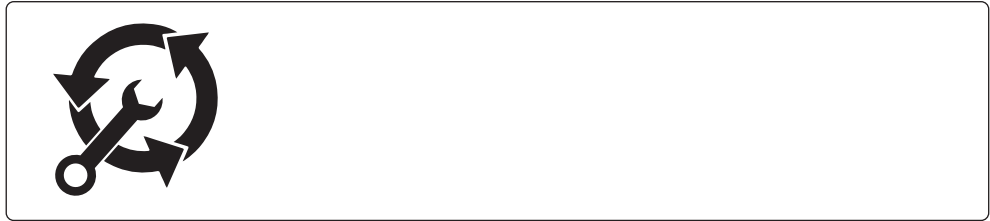
B

C

D

E

# E



A

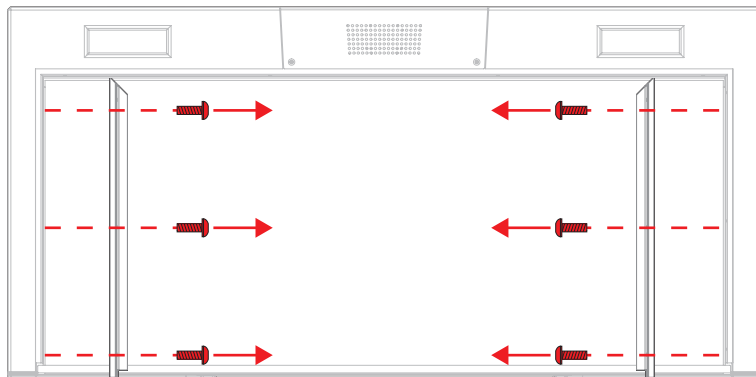
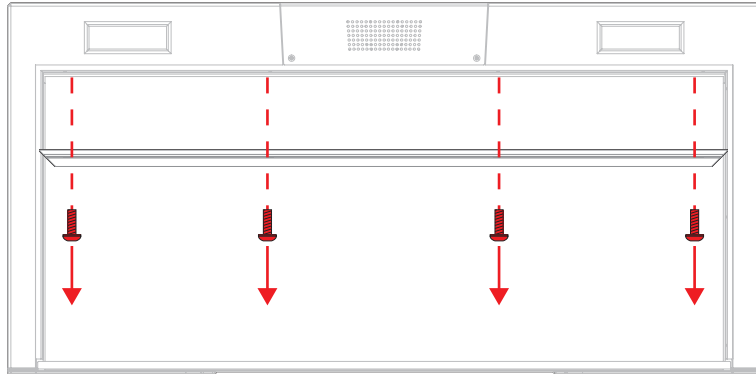
B

C

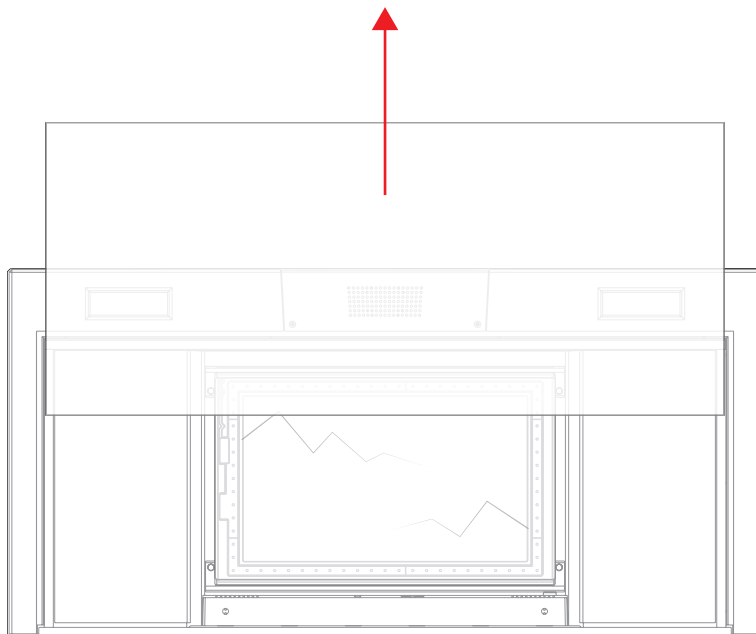
D

E

E.1



E.2



A

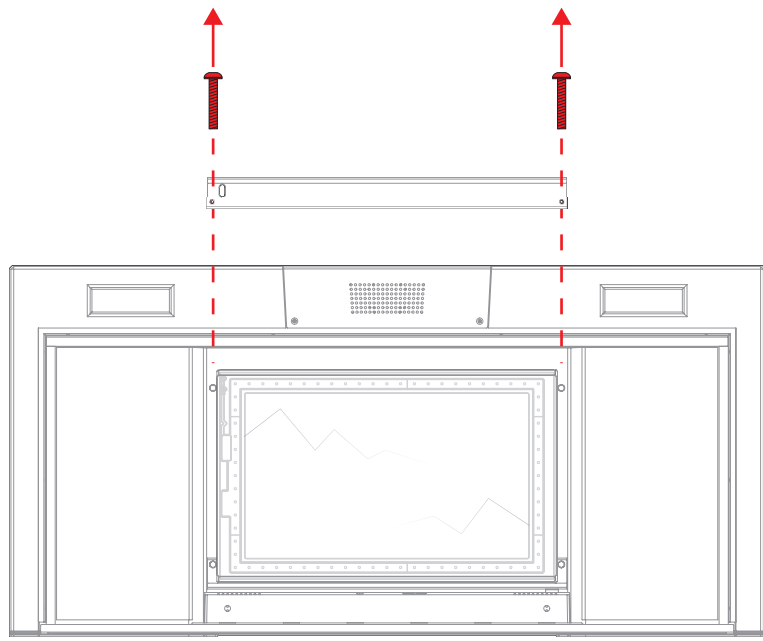
B

C

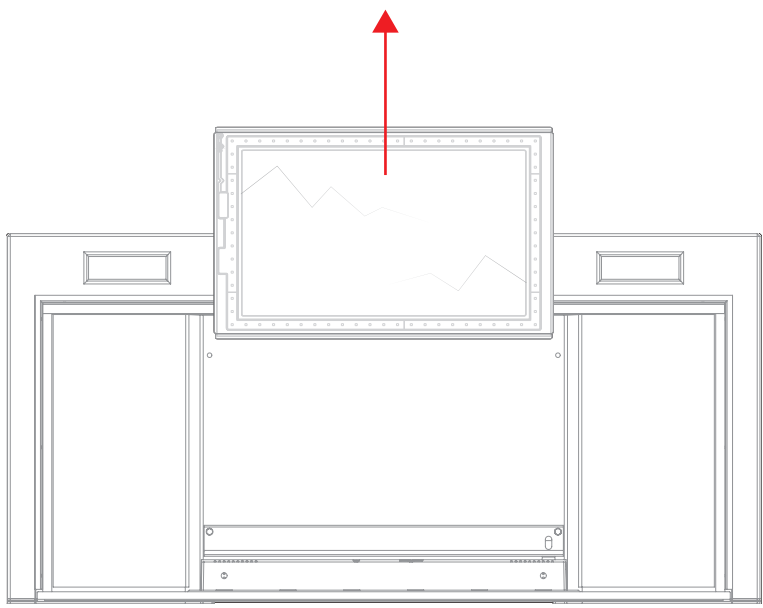
D

E

E.3

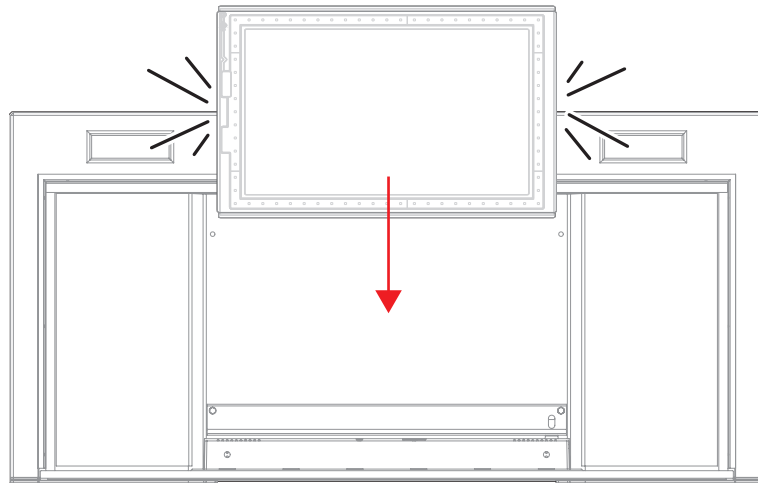


E.4





**E.5**



**E.4**



**E.1**

**A**

**B**

**C**

**D**

**E**

## DISCLAIMER

The material in these installation instructions are for informational purposes only. The products it describes are subject to change without prior notice.

These instructions do not aim to cover all details or variations in the equipment and do not claim to provide for every possible contingency met in connection with installation, operation, or maintenance.

Lappset Yalp B.V. (hereinafter referred to as Yalp) has made every effort to ensure that these installation instructions are accurate.

Yalp assumes no responsibility for any inaccuracies or omissions that may be contained in these installation instructions.

Yalp makes no representations or warranties with respect to these installation instructions or with respect to the products described herein.

Yalp shall not be liable for any damages, losses, costs or expenses, direct, indirect or incidental, consequential or special, arising out of, or related to the use of these installation instructions or the products described herein.

Should further information be desired, or should particular problems arise which are not covered sufficiently or if you find information in these installation instructions that is incorrect, misleading, or incomplete, we would appreciate your comments and suggestions.

**WARNING** Important information! Not reading this document could result in personal injury or a damaged product.

**WARNING** Installation should be done by a certified installer according to local regulations on electrical safety (e.g. NEN 1010).

**WARNING** The main power cable should be connected to a separate group in the fuse box with a 30 mA RCD with a 10A or 16A fuse.

- Read the installation instructions carefully and fully before installing and using the product
- Follow each step of the instruction carefully
- Use common sense when handling the product
- If you are uncertain, please contact us
- Keep this information for further reference

## PRODUCT SPECIFICATIONS

### SPECIFICATION TABLE

Description	Metric	Imperial
<i>Model</i>		
Model	Yalp Toro	
Model no	YA3805	
Country of origin	Made in the Netherlands	
<i>Transport</i>		
Pallet material	Pinewood	
Pallet dimensions (L x W x H)	1.85x0.80x1.00 m	72.8x31.5x39.4"
Weight crate 1 (goals 1+2)	1100 kg	2425 lbs
Weight crate 2 (goals 3+4)	1080 kg	2381 lbs
<i>Dimensions</i>		
Installed Toro goal (L x W x H)	1.65x0.3x0.81m	65.0x11.8x31.9"

Toro boarding field foot print	13.62x13.62m	536x536"
Toro boarding field turf size	13.06x13.06m	514x514"
Weight of 1 Toro goal	475 kg	1047 lbs
<i>Power</i>		
Power connection	100-240V~. 50/60Hz Max. 150W	
Power output	12V DC	
In use (average)	24,3W	
Idle (Stand-by)	14,9W	
Sleep	2,6W	
<i>Safety</i>		
Operating temperature	-20 to +40 °C	-4 to +104 °F
Stock temperature	0-30 °C	32 to +86 °F
Operating altitude	<2000 m	<6562 ft
Protection class	IP54	

## STANDARDS AND COMPLIANCE INFORMATION

<b>Standards</b>
<i>International</i>
IEC 62368-1 (Electrical Safety)
<i>Europe</i>
NEN-EN 1176:2019
CE
EN-62368-1
<i>USA</i>
FCC
UL62368-1
<i>Canada</i>
CAN ICES-003
CSA C22.2 62368-1

## REGULATORY INFORMATION USA

Changes or modifications not expressly approved by the party responsible for compliance could void the user's authority to operate the equipment.

interference received, including interference that may cause undesired operation.

This device complies with part 15 of the FCC Rules. Operation is subject to the following two conditions: (1) This device may not cause harmful interference, and (2) this device must accept any

## PERMITTED ANTENNA

This radio transmitter has been approved by the FCC to operate with the antenna types listed below with the maximum permissible gain indicated. Antenna types not included in this list,

having a gain greater than the maximum gain indicated for that type, are strictly prohibited for use with this device.

Interface and frequency range	Type	Max gain
3G cellular in band II and IV	MCS 108181 / 108182 - AEB260 GSM Dipole Patch Antenna.	-2 dBi
	Siretta Tango 27 IP67 Rated Quad Band GSM/GPRS and 3G Puck Antenna	-2.16 dBi

## RF EXPOSURE SAFETY

This device complies with FCC RF exposure limits and has been evaluated in compliance with mobile exposure conditions.

The antenna must be installed and operated with minimum distance of 20 cm between the radiator and your body.

## CLASS B DEVICE NOTICE

**NOTICE** This equipment has been tested and found to comply with the limits for a Class B digital device, pursuant to part 15 of the FCC Rules.

These limits are designed to provide reasonable protection against harmful interference in a residential installation. This equipment generates, uses and can radiate radio frequency energy and, if not installed and used in accordance with the instructions, may cause harmful interference to radio communications. However, there is no guarantee that interference will not occur in a particular installation. If this equipment does cause harmful interference to radio or television

reception, which can be determined by turning the equipment off and on, the user is encouraged to try to correct the interference by one or more of the following measures:

- Reorient or relocate the receiving antenna
- Increase the separation between the equipment and receiver
- Connect the equipment into an outlet on a circuit different from that to which the receiver is connected
- Consult the dealer or an experienced radio/TV technician for help

## REGULATORY INFORMATION CANADA

Changes or modifications not expressly approved by the party responsible for compliance could void the user's authority to operate the equipment.

This device complies with ISED license-exempt RSS(s). Operation is subject to the following two

conditions: (1) This device may not cause harmful interference, and (2) this device must accept any interference received, including interference that may cause undesired operation.

## PERMITTED ANTENNA

This radio transmitter has been approved by the FCC to operate with the antenna types listed below with the maximum permissible gain indicated. Antenna types not included in this list, having a gain greater than the maximum gain

indicated for that type, are strictly prohibited for use with this device.

Interface and frequency range	Type	Max gain
3G cellular in band II and IV	MCS 108181 / 108182 - AEB260 GSM Dipole Patch Antenna.	-2 dBi
	Siretta Tango 27 IP67 Rated Quad Band GSM/GPRS and 3G Puck Antenna	-2.16 dBi

## RF EXPOSURE SAFETY

This device complies with ISED RF exposure limits and has been evaluated in compliance with mobile exposure conditions.

CAN ICES-003 (B)

This Class B digital apparatus complies with Canadian ICES-003

**WARNING** Never try to repair a defect without the consent of Yalp

**WARNING** Never replace parts for other than Yalp original parts. The Yalp product is certified as a whole, with carefully selecting the best parts for safety and quality reasons.

## PARTS LIST

Number	Part description	Amount	Material	Finish
3810-004	Side profile left	4	SS304	Powder coated
3810-005	Side profile right	4	SS304	Powder coated
3810-006	Top profile	4	SS304	Powder coated
3810-008	Cover basic	3	SS304	Powder coated
3810-009	Cover master	1		Powder coated
3810-010	Bottom profile	4	SS304	Powder coated
3810-013	Cable cover	4	SS304	-
3810-090	Toro anchor	8	FE360	
BIT TX45	Torx bit	1	-	-
HAND TX45	Torx hand key	1	-	
100-204	Transportation ring	8	FE360	Galvanized

EN

NL

DE

100-210	Pin torx bolt M8x20	16	SS304	Lubocoat
---------	---------------------	----	-------	----------

## UNINCLUDED MATERIAL

Description	Metric	Imperial
Fork spanner	13 mm	1/4
Fork spanner	17 mm	3/8
Fork spanner	30 mm	3/4
Cordless drill	-	-
Cap bit	M8	1/4
Cap bit	M10	3/8
Shovel	-	-
Wire stripper	-	-
Measuring tape	-	-
Flat screwdriver	-	-
Stanley knife	-	-
Broom	-	-
Leveller	-	-
Philips head screwdriver	-	-
Infill sand	#30 Silica round 0.2-1mm	#30 Silica round 0.008-0.04"
Football	To play football	Or soccer
Deep mount		
Quick drying concrete (C20/ C25 NEN -EN206-1/-8005)	800 kg	1764 lbs
Surface mount		
Drill + bit	-	-
Chemical anchor (4000N) e.g. Hilti HIT 170 with 8.8 anchor M10 (in combination with C20/ C25 concrete)	M10	-

## A. PREPARATION

### A.1 Transportation advice

**WARNING** Not taking the right precautions could result in accidents and/or damage.

**WARNING** When using heavy equipment follow the safety instructions provided by the manufacturer.

**CAUTION** The person(s) transporting the product should wear the required protection and clothing.

- Before transporting, check the box and pallet for any damage or loose parts
- When using (heavy) equipment make sure the person is certified when required to use the equipment
- Always transport the product upright
- Always use the supplied pallet and transport materials

- Extra equipment may be necessary to safely transport the product
- Make sure the used equipment can handle the weight and size of transporting the product
- Transport the product as close as possible to the eventual place of installation before unpacking the product

#### **A.2** Dimensions of the installed Toro

#### **A.3** Overview of products

- The person unpacking the product should wear the required protection and clothing.
- Do not unpack the product before transporting it to the eventual place of installation to prevent damages.
- Use a forklift to load and unload the pallets
- Use a cross slot screwdriver (not included) to open the wooden crate
- Unpack the product in a dry environment
- While unpacking the product check the product for any damages or missing parts
- Check cables for any damages
- Please recycle and discard the packaging material correctly

**A.4** Make sure there is at least 1,5 meters (5 ft) distance between the Toro field and surrounding objects.

**A.5** Make sure the power cable is located in the master goal of the Toro as shown in the image. The cable should have an overlength of 2 meters (6.6ft). \*Use local standards to determine how deep electrical wires need to be buried.

**A.6** Make sure the power cable is disconnected during the installation.

**A.7** Place the casing tubes in the ground according to the indicated dimensions. Perform the bends as shown in the image.

**A.8** Place the cables through the casing tubes.

**A.9** Prepare the ground:

- Make sure the surface is level in all directions
- Determine ground level (0 level), which is the reference point for all other dimensions
- Make sure that the Toro will be placed perpendicular to and directly on the prepared surface

**A.10** Choose the installation type suitable for the surface on which the Toro will be installed.

- Deep mount (in existing ground - anchors): continue with part B
- Surface mount (on top of existing surface - cable slots): continue with part C

**WARNING** A surface mount can only be done when the existing surface is made of at least 15 cm (6") solid concrete.

## **B. DEEP MOUNT**

**NOTICE** Make sure the necessary preparations have been made according to chapter A.

**B.1** Dig out the holes for the anchors, according to the indicated dimensions.

**B.2** Connect the anchors to the moulds. Place the moulds in the holes according the image.

**B.3** Pour the concrete into the holes according to the image. Wait until the concrete has hardened.

**NOTICE** Make sure the power cable goes through the hole in the middle of the master post mould.

**B.4** Remove the moulds from the anchors.

**B.5** Repeat the previous steps for the remaining three goals.

You can now continue installing the Toro from step D.1.

## **C. SURFACE MOUNT**

**C.1** Place the moulds according to the indicated dimensions.

**C.2** Drill 6 holes per mould as shown in the image.

**C.3** Remove the moulds and place the chemical anchors according to their instructions.

## D. INSTALLATION

**CAUTION** The people installing the product should wear the required protection and clothing.

**D.1** Remove the cover plates from the goals.

**D.2** Lift the master goal by using a forklift and lifting belt.

**D.3** Place the goal in position just above the ground very slowly. Make sure no cables will get stuck when lowering the goal.

**D.4** Lower the goal onto the anchors and secure it.

**D.5** Repeat step D.1 to D.3 for the basic goals.

**D.6** Connect the power cable to the power socket.

**WARNING** Installation should be done by a certified installer according to local regulations on electrical safety.

**WARNING** Electric shock risk! Connecting an electrified power cable to the power socket could lead to serious injury. Shut down the power during the installation.

**D.7** Connect the cables from the basic goals to the computer.

**WARNING** Make sure to connect the right basic goals to the right input channels of the computer, based on their labels.

**D.8** Place the cover plates in place and secure them.

**D.9** Remove the crane hooks from the goals.

**D.10** Place the set bolts into the holes.

**D.11** Let's play the Toro!

## E. REPLACING A LED PANEL

**E.1** Remove the top and side profiles.

**E.2** Remove the front plate.

**E.3** Remove the top panel holder.

**E.4** Remove the broken led panel.

**E.5** Place the new led panel (check: this needs to have rubber strips at both top and bottom) and reinstate all parts that have been removed in step E.1 to E.4.

EN

NL

DE

## SERVICE

### SUPPORT

For questions, comments or help you can always contact the Yalp head-office in the Netherlands:

#### Yalp

Nieuwenkampsmaten 12  
7472 DE Goor  
The Netherlands  
+31 (0) 547 289 410  
support@yalp.com

For contact details of Yalp distributors or offices, please go to [Yalp.com](http://Yalp.com) or check the distributors overview at [store.yalp.com](http://store.yalp.com).

### POWER CYCLE

- Turn off the power or unplug the device
- Wait 30 seconds
- Turn on the power or plug in the product
- Wait until the product has completed the start-up process and the product has come online

**NOTICE** Do not use an external power clock to switch the product on/off. Instead, use the online possibilities of My Yalp to set on/off times.



## CLEANING & MAINTENANCE

**WARNING** Follow the instructions in this section closely when servicing the product. Failure to follow these instructions may cause serious injury or damage.

**WARNING** Always be sure that the product is powered off and unplugged before attempting to perform inspection or maintenance.

**WARNING** When servicing the product, use identical replacement parts only. Use of unauthorized parts may cause serious injury or damage.

- Use a mild soap and a non-scratching cloth to clean the product every 6 months
- The product should be inspected for damaged or missing parts on a regular basis
- When parts are damaged or missing, the product should be disconnected and the parts should be corrected, repaired, or replaced to prevent injuries
- Tighten the bolts every 6 months to prevent loose bolts
- Make sure the product can perform a daily restart every day for optimal performance

## MAINTENANCE FLOORING

- Brush the grass regularly with a stiff broom or rake
- Keep the grass free of debris and leaves
- Remove leaves using a leaf blower or rake
- Remove any weeds immediately to prevent seed dispersal
- Use clean water to rinse off any spills, such as liquids, sauce or melted ice-cream
- Pet excrement or smells can be removed using a shovel or detergent and water
- Discard

## REMOVAL

### DISASSEMBLY

- Unplug the product from the main power to prevent electrocution.
- Disconnecting and disassembly of the power outlet should be done by a certified electrician.
- Use protection for the parts after disassembling and during transportation.
- If you want to reinstall the product at a new location, make sure to check all disassembled parts to see if they can be reused. Spare parts can be ordered.
- If assistance is needed, contact us.

### REMOVAL

If you require help with the removal of your product, please contact us and inquire about our services and possible costs.

### RECYCLING

Please make sure when discarding the product, the materials are recycled sensibly and correctly. To recycle this product, you can contact us and send back the product. We will then dispose of your used product in a way that lives up to our sustainability directives.

### WARRANTY, TERMS & CONDITIONS

For the Warranty, Terms & Conditions on this product, MyYalp, Content and Software visit store. [yalp.com/downloads](http://yalp.com/downloads).

EN

NL

DE

## DISCLAIMER

Deze installatiehandleiding is enkel bedoeld voor informatieve doeleinden. De producten die erin worden beschreven kunnen zonder voorafgaande kennisgeving worden gewijzigd.

Deze installatiehandleiding voorziet niet in informatie omtrent alle mogelijke productvarianties of eventuele toevalligheden die tijdens de installatie, het gebruik of het onderhoud van het product kunnen voorvallen.

Lappset Yalp B.V. (hierna "Yalp" genoemd) heeft er alles aan gedaan om ervoor te zorgen dat deze installatiehandleiding correct is.

Yalp aanvaardt geen aansprakelijkheid voor eventuele onjuistheden of weglatingen in deze installatiehandleiding.

Yalp geeft geen verklaringen of garanties met betrekking tot deze installatiehandleiding of met betrekking tot de hierin beschreven producten.

Yalp is niet aansprakelijk voor schade, verlies, kosten of uitgaven, direct, indirect of incidenteel voortvloeiend uit of verband houdend met het

gebruik van deze installatiehandleiding of de hierin beschreven producten.

Als meer informatie gewenst is, of als er zich problemen voordoen die niet voldoende worden behandeld, of als u informatie in deze installatiehandleiding vindt die onjuist, misleidend of onvolledig is, dan stellen wij uw opmerkingen en suggesties zeer op prijs.

**WARNING** Belangrijke informatie! Het niet doorlezen van dit document kan leiden tot serieus letsel en/of schade aan het product.

- Lees deze installatiehandleiding zorgvuldig en volledig door alvorens je het product installeert
- Volg elke installatiestap zorgvuldig op
- Gebruik gezond verstand bij de installatie van dit product
- Neem contact met ons op als je twijfelt over de installatie
- Bewaar deze handleiding voor eventueel later gebruik

EN

## EIGENSCHAPPEN EN ONDERDELEN

NL

### PRODUCTEIGENSCHAPPEN

DE

Omschrijving	Metrisch	Imperiaal
<i>Model</i>		
Model	Yalp Toro	
Model nr.	YA3805	
Land van herkomst	Nederland	
<i>Transport</i>		
Pallet materiaal	Vurenhout	
Pallet afmetingen (L x B x H)	1.85x0.80x1.00 m	72.8x31.5x39.4"
Gewicht kist 1 (goals 1+2)	1100 kg	2425 lbs
Gewicht kist 2 (goals 3+4)	1080 kg	2381 lbs
<i>Afmetingen</i>		
Geïnstalleerd Toro goal (L x B x H)	1.65x0.3x0.81m	65.0x11.8x31.9"
Toro veld boarding afmetingen	13.62x13.62m	536x536"

Toro veld boarding veldgrootte	13.06x13.06m	514x514"
Gewicht van 1 Toro goal	475 kg	1047 lbs
<i>Energiegebruik</i>		
Aansluiting	100-240V~. 50/60Hz. Max. 150W.	
Uitgang	12V DC	
Vermogen in gebruik (gemiddeld)	24,3W	
Vermogen in idle (Stand-by)	14,9W	
Vermogen in slaap	2,6W	
<i>Veiligheid</i>		
Gebruiks temperatuur	-20 tot +40 °C	-4 tot +104 °F
Opslag temperatuur	0-30 °C	32 tot +86 °F
Gebruiks hoogte	<2000 m	<6562 ft
IP klasse	IP54	

## NORMEN

### Normen

#### *Internationaal*

IEC 62368-1 (Elektrische veiligheid)

#### Europa

NEN-EN 1176:2019

#### CE

EN-62368-1

#### USA

FCC

UL62368-1

#### Canada

CAN ICES-003

CSA C22.2 62368-1

**WARNING** Repareer nooit een defect zonder Yalp te raadplegen.

**WARNING** Vervang nooit onderdelen voor niet-originele Yalp onderdelen. Het Yalp product is gekeurd als totaal product, waarbij zorgvuldig de onderdelen zijn uitgekozen om veiligheid en kwaliteit te waarborgen.

## ONDERDELENLIJST

Nummer	Omschrijving	Aantal	Materiaal	Afwerking
3810-004	Zijprofiel links	1	SS304	Poedercoat
3810-005	Zijprofiel rechts	1	SS304	Poedercoat

3810-006	Top profiel	1	SS304	Poedercoat
3810-008	Afdekker basic goal	1	SS304	Poedercoat
3810-009	Afdekker master goal	1	SS304	Poedercoat
3810-010	Onderprofiel	1	SS304	Poedercoat
3810-013	Kabel afdekplaatje	1	SS304	-
3810-090	Toro anker	1	FE360	Thermisch verzinkt
Hand T40	Pin Torx handsleutel	1	-	-
Bit T40	Pin Torx bit	1	-	-
100-204	Pin Torx bout M8x20	16	SS304	Lubocoat
100-210	Transport oog	8	FE360	Thermisch verzinkt

#### NIET MEEGELEVERDE MATERIALEN

Omschrijving	Metrisch	Imperiaal
Moersleutel	13 mm	1/4
Moersleutel	17 mm	3/8
Moersleutel	30 mm	3/4
Accu boor	-	-
Zeskant bit	M8	1/4
Zeskant bit	M10	3/8
Shovel	-	-
Kabel stripper	-	-
Meetlint	-	-
Platte schroevendraaier	-	-
Stanley mes	-	-
Bezem	-	-
Evenaar	-	-
Kruis schroevendraaier	-	-
Vulzand	#30 Silica rond 0.2-1mm	#30 Silica rond 0.008-0.04"
Voetbal	Om te voetballen!	
Deep mount		
Sneldrogend beton (C20/C25 NEN -EN206-1/-8005)	800 kg	1764 lbs
Opbouw montage		
Klopboor	-	-

---

Chemisch anker (4000N) bijv. M10 -  
Hilti HIT 170 met 8.8 anker M10  
(in combinatie met >  
C20/C25 beton)

---

## A. VOORBEREIDING

### A.1 Advies voor transport

**WARNING** Het niet treffen van de juiste voorzorgsmaatregelen kan ongelukken en/of schade tot gevolg hebben.

**WARNING** Volg bij het gebruik van zware apparatuur de veiligheidsinstructies van de fabrikant.

**CAUTION** Degenen die het product vervoeren dienen de vereiste bescherming en kleding te dragen.

- Controleer voor transport de doos en pallet op schade en/of losse onderdelen
- Het gebruik van (zware) apparatuur dient gedaan te worden door een daarvoor gecertificeerd persoon
- Vervoer het product altijd rechtop
- Gebruik voor transport altijd de meegeleverde pallet en transportmaterialen
- Extra uitrusting kan nodig zijn om het product veilig te vervoeren
- Zorg ervoor dat het gebruikte materiaal het gewicht en de grootte van het product aankan
- Pak het product zo dicht mogelijk bij de uiteindelijke installatieplaats pas uit

### A.2 Afmetingen van een geïnstalleerde Toro

### A.3 Toro onderdelen

**CAUTION** Degenen die het product uitpakken dienen de vereiste bescherming en kleding dragen.

**CAUTION** Pak het product niet uit voordat deze op de uiteindelijke installatieplaats gearriveerd is om schade te voorkomen.

- Gebruik een vorkheftruck om de pallets te laden en te lossen
- Gebruik een kruiskopschroevendraaier (niet meegeleverd) om de houten kist te openen
- Pak het product uit in een droge omgeving
- Controleer het product tijdens het uitpakken op schade en ontbrekende onderdelen

- Controleer kabels op schade
- Hergebruik en recycle het verpakkingsmateriaal op de juiste manier

**A.4** Zorg ervoor dat de afstand tussen het Toro veld en andere vaste objecten minimaal 1,5 meter is.

**A.5** Bepaal de positie van de voedingskabel: deze komt binnen bij het 'master goal' met de knop. Zorg voor een overlengte van 2 meter. De kabel dient ten minste 60cm diep te liggen.

**WARNING** De stroomkabel naar het toestel dient te worden gezekerd op een aparte groep in de meterkast met een 30mA RCD, voorzien van een 10A of 16A zekering.

**A.6** Schakel de stroom af tijdens de installatie.

**A.7** Leg de mantelbuizen in de grond volgens aangegeven afmetingen.

**A.8** Leg de kabels door de buizen.

**A.9** Bereid, indien nodig, de grond voor:

- Zorg ervoor dat het oppervlak in alle richtingen waterpas is
- Bepaal het maaiveld (nul-niveau) van de ondergrond. Dit is het referentiepunt voor alle andere afmetingen
- Zorg voor voldoende drainage.
- Zet de Toro goals haaks op de ondergrond.

**A.10** Kies het installatietype dat geschikt is voor het oppervlak waarop de Solarpaal geïnstalleerd zal worden.

- Grondmontage (in bestaande grond): ga verder met deel B
- Opbouwmontage (bovenop bestaand oppervlak): ga verder met deel C

**WARNING** Opbouw montage is alleen mogelijk als het oppervlakte bestaat uit ten minste 15cm goede kwaliteit beton.

EN

NL

DE

## B. GRONDMONTAGE

**NOTICE** Zorg ervoor dat alle voorbereidingen zijn getroffen zoals beschreven in hoofdstuk A.

**B.1** Graaf de gaten voor de ankers voor elk doel met de aangegeven afmetingen. Zorg dat de stroomkabel in positie ligt.

**B.2** Monteer de ankers aan de mallen. Plaats de mallen met ankers in de gaten.

**B.3** Giet beton in de gaten. Zorg er voor dat de stroomkabels door het gat in het midden van de mal gaan. Wacht tot het beton uitgehard is.

**B.4** Verwijder de mallen van de ankers.

**B.5** Herhaal de vorige stappen voor de overige 3 doelen.

**NOTICE** Vervolg de installatie bij stap D.1.

## C. OPBOUWMONTAGE

**NOTICE** Zorg ervoor dat alle voorbereidingen zijn getroffen zoals beschreven in hoofdstuk A.

**C.1** Lijn de mallen uit volgens tekening.

**C.2** Boor 6 gaten per mal zoals aangegeven.

**C.3** Verwijder de mal en plaats de chemische ankers volgens de voorschriften van de producent.

## D. INSTALLATIE

**CAUTION** Degenen die dit product installeren dienen de juiste bescherming en kleding te dragen.

**D.1** Verwijder de afdekplaten van de doelen.

**D.2** Til de master goal (met knop) op met een kraan/heftruck en tilbanden.

**D.3** Laat de goal langzaam op zijn positie zakken, zorg dat er geen kabels klem komen te zitten.

**D.4** Zet het doel vast op de ankers.

**D.5** Herhaal stap D.1 t/m D.3 voor de overige (basic) goals.

**D.6** Sluit de voedingskabel aan op de stroom terminal (witte doos) in de Sutu.

**WARNING** De elektrische installatie dient gedaan te worden door een gecertificeerd installateur volgens de regionale richtlijnen met betrekking tot het veilig installeren van elektrische apparaten (bijv. NEN 1010).

**WARNING** Schakel de stroom uit voor het aansluiten van alle kabels. Het aansluiten van kabels zonder de stroom af te schakelen kan leiden tot schade aan het product of schade voor de gezondheid (elektrische schokken).

**D.7** Sluit de kabels komend van de andere 3 basic goals aan op de computer in het master goal.

**WARNING** Let op: sluit de juiste doelen op de juiste ingangen aan, zoals is aangegeven met de labels.

**D.8** Dek de doelen weer af met de metalen afdekplaten en schroef deze vast.

**D.9** Verwijder de transport ogen van de doelen.

**D.10** Plaats de inserts in de twee open gaten per doel.

**D.11** Yes, de Toro is gereed om te spelen!

## E. EEN TORO PANEEL VERVANGEN

**E.1** Verwijder de top- en zijprofielen van het Toro goal.

**E.2** Verwijder de doorzichtige voorplaat, til deze omhoog uit de uitsparing.

**E.3** Verwijder de bovenste houder van het paneel.

**E.4** Verwijder het kapotte paneel.

**E.5** Plaats een nieuwe panel. Deze moet voorzien zijn van rubber strip aan de boven- en onderkant (!). En breng alle voorgaande stappen van E.3 terug tot E.1 weer terug naar originele staat.

## SERVICE

### ONDERSTEUNING

Voor vragen, opmerkingen of hulp kun je altijd contact opnemen met het hoofdkantoor van Yalp, de mensen daar zijn best aardig:

#### Yalp

Nieuwenkampsmaten 12  
7472 DE Goor  
Nederland  
+31 (0) 547 289 410  
support@yalp.com

Ga voor contactgegevens van Yalp-distributeurs of -kantoren naar [Yalp.com](http://Yalp.com) of bekijk het overzicht van distributeurs op [store.yalp.com](http://store.yalp.com).

### HANDMATIGE HERSTART (POWER CYCLE)

- Sluit de stroom af
- Wacht 30 seconden
- Sluit de stroom weer aan
- Wacht tot het toestel is opgestart en online is gekomen (duur: ongeveer 5 minuten).

**NOTICE** Gebruik géén externe tijds klok om het toestel automatisch in- en uit te schakelen. Gebruik indien gewenst de online mogelijkheden in MyYalp om het toestel aan en uit te schakelen.

### REINIGING EN ONDERHOUD

**WARNING** Volg de instructies in dit gedeelte nauw op wanneer onderhoud gepleegd wordt aan het product. Het niet opvolgen van deze instructies kan ernstig letsel of schade veroorzaken.

**WARNING** Zorg er altijd voor dat het product is uitgeschakeld voordat inspectie of onderhoud uitgevoerd wordt.

**WARNING** Gebruik bij het onderhoud van het product alleen identieke vervangende onderdelen. Het gebruik van niet-geautoriseerde onderdelen kan ernstig letsel of schade veroorzaken.

- Maak het product iedere 6 maanden schoon met milde zeep en een niet-krassende doek

- Behandel de polyester kappen twee keer per jaar met auto wax (Turtle wax) voor een blijvend mooi oppervlak.
- Het product moet regelmatig worden geïnspecteerd op beschadigde of ontbrekende onderdelen
- Als onderdelen beschadigd zijn of ontbreken, moet het product worden losgekoppeld en moeten de onderdelen worden gecorrigeerd, gerepareerd of vervangen om letsel te voorkomen
- Draai elke 6 maanden de bouten vast om losse bouten te voorkomen

### VLOER ONDERHOUD

- Borstel het kunstgras regelmatig met een harde bezem, hark, of borstelmachine
- Houdt het Kunstgras vrij van afval, onkruid en bladeren
- Spoel vuil weg met water

## VERWIJDERING

### DEMONTAGE

**WARNING** Zorg ervoor dat het product is uitgeschakeld om elektrocutie te voorkomen.

EN

NL

DE

**WARNING** De demontage dient gedaan te worden door een gecertificeerd installateur volgens de regionale richtlijnen met betrekking tot het veilig demonteren van elektrische apparaten (bijv. NEN 1010).

**WARNING** Bescherm de onderdelen na demontage en tijdens transport met daarvoor geschikte materialen.

**NOTICE** Als het product op een andere locatie opnieuw geïnstalleerd dient te worden, controleer dan alle gedemonteerde onderdelen om te zien of ze opnieuw gebruikt kunnen worden. Benodigde reserveonderdelen kunnen bijbesteld worden.

Neem voor hulp contact met ons op.

## AFVOEREN

Als je hulp nodig hebt bij het afvoeren van het product, neem dan contact met ons op en informeer naar onze diensten en mogelijke kosten.

## RECYCLEN

Zorg er bij het weggooien voor dat alle onderdelen van het product verstandig en correct worden gerecycled. Om dit product te recyclen, kunt u contact met ons opnemen om het product terug

te sturen. Wij zullen het gebruikte product dan recyclen op een manier die voldoet aan onze duurzaamheidsrichtlijnen.

## GARANTIE EN SERVICEVOORWAARDEN

Ga voor de documenten omtrent garantie en servicevoorwaarden op dit product, MyYalp, Content en Software naar [store.yalp.com/downloads](https://store.yalp.com/downloads).

EN

NL

DE



## HAFTUNGSAUSSCHLUSS

Diese Installationsanleitung dient nur zu Informationszwecken. Die darin beschriebenen Produkte können ohne vorherige Ankündigung geändert werden.

Diese Installationsanleitung enthält keine Informationen über alle möglichen Produktvarianten oder Zufälle, die bei der Installation, Verwendung oder Wartung des Produkts auftreten können.

Lappset Yalp B.V. (im Folgenden als "Yalp" bezeichnet) hat alle Anstrengungen unternommen, um die Richtigkeit dieser Installationsanleitung zu gewährleisten.

Yalp übernimmt keine Haftung für eventuelle Ungenauigkeiten oder Auslassungen in dieser Installationsanleitung.

Yalp gibt keine Zusicherungen oder Garantien in Bezug auf diese Installationsanleitung oder in Bezug auf die hierin beschriebenen Produkte.

Yalp haftet nicht für direkte, indirekte oder zufällige Schäden, Verluste, Kosten oder Ausgaben, die sich aus der Verwendung dieser Installationsanleitung oder der darin beschriebenen Produkte ergeben oder damit zusammenhängen.

Wenn weitere Informationen gewünscht werden, oder wenn Probleme auftreten, die nicht ausreichend behandelt werden, oder wenn Sie

Informationen in dieser Installationsanleitung für falsch, irreführend oder unvollständig halten, würden wir uns sehr über Ihre Kommentare und Vorschläge freuen.

**WARNING** Wichtige Information! Die Nichtbeachtung dieses Dokuments kann zu schweren Verletzungen und/oder Schäden am Produkt führen.

**WARNING** Die Installation sollte von einem zertifizierten Installateur gemäß den örtlichen Vorschriften zur elektrischen Sicherheit (z. B. NEN 1010) durchgeführt werden.

**WARNING** Das Hauptstromkabel sollte an eine separate Gruppe im Sicherungskasten mit einem 30 mA RCD mit einer 10 A oder 16 A Sicherung angeschlossen werden.

Lesen Sie diese Installationsanleitung sorgfältig und vollständig durch, bevor Sie das Produkt installieren

Befolgen Sie jeden Installationsschritt sorgfältig  
Verwenden Sie bei der Installation dieses Produkts Ihren gesunden Menschenverstand

Kontaktieren Sie uns, wenn Sie Zweifel an der Installation haben

Bewahren Sie dieses Handbuch zum späteren Nachschlagen auf

## EIGENSCHAFTEN UND KOMPONENTEN

### PRODUKT-EIGENSCHAFTEN

Umschreibung	Metrisch	Imperial
<i>Modell</i>		
Modell	Yalp Toro	
Modell nr.	YA3805	
Herkunft	Niederlande	
<i>Transport</i>		
Pallet Material	Kiefernholz	
Pallet Abmessungen (L x B x H)	1.85x0.80x1.00 m	72.8x31.5x39.4"
Gewicht Kist 1 (Tore 1+2)	1100 kg	2425 lbs
Gewicht Kist 2 (Tore 3+4)	1080 kg	2381 lbs

## Abmessungen

Installierter Toro Torl (L x B x H)	1.65x0.3x0.81m	65.0x11.8x31.9"
Toro Feld Banden (abmessungen)	13.62x13.62m	536x536"
Toro Feld Banden (Feldgrosse)	13.06x13.06m	514x514"
Gewicht van 1 Toro Tor	475 kg	1047 lbs

## Energieverbrauch

Anschlusswert	100-240V~. 50/60Hz. Max. 150W.	
Ausgangswert	12V DC	
Eingesetzte Leistung (Durchschnitt)	24,3W	
Leistung im Leerlauf (Standby)	14,9W	
Leistung im Schlaf	2,6W	

## Sicherheit

Temperatur verwenden	-20 tot +40 °C	-4 tot +104 °F
Lagertemperatur	0-30 °C	32 tot +86 °F
Verwendungshöhe	<2000 m	<6562 ft
IP-Klasse	IP54	

## NORMEN

### Normen

International

IEC 62368-1 (Elektronische Sicherheit)

Europa

NEN-EN 1176:2019

CE

EN-62368-1

USA

FCC

UL62368-1

Canada

CAN ICES-003

CSA C22.2 62368-1

## STÜCKLISTE

Nummer	Omschrijving	Aantal	Materiaal	Afwerking
3810-004	Seitenprofil links	1	SS304	Pulverschichtet
3810-005	Seitenprofil Rechts	1	SS304	Pulverschichtet

3810-006	Profil oberseite	1	SS304	Pulverschichtet
3810-008	Abdeckung Basistor	1	SS304	Pulverschichtet
3810-009	Abdeckung Haupttor	1	SS304	Pulverschichtet
3810-010	Profil unten	1	SS304	Pulverschichtet
3810-013	Kabel Abdeckplatte	1	SS304	-
3810-090	Toro Anker	1	FE360	Feuerverzinkt
Hand T40	Pin-Torx- Handschlüssel	1	-	-
Bit T40	Stift Torx-Bit	1	-	-
100-204	Stift Torxschraube M8x20	16	SS304	Lubocoat
100-210	Transportauge	8	FE360	Feuerverzinkt

EN

NL

DE

## MATERIALIEN NICHT ENTHALTEN

Umschreibung	Metrisch	Imperial
Maulschlüssel	13 mm	1/4
Schraubenschlüssel	17 mm	3/8
Schraubenschlüssel	30 mm	3/4
Akkubohrmaschine	-	-
Sechskantkopf-Bit	M8	1/4
Sechskant-Bit	M10	3/8
Schaufel	-	-
Kabelabisolierer	-	-
Bandmaß	-	-
Flachschraubendreher	-	-
Stanley-Messer	-	-
Besen	-	-
Äquator	-	-
Kreuzschraubendreher	-	-
Füllsand	#30 Silica rond 0.2-1mm	#30 Silica rond 0.008-0.04"
Fußball	Zum Fussball spielen!	
Tief montage		
Schnell trocknender Beton (C20/C25 NEN -EN206-1/- 8005)	800 kg	1764 lbs
Aufbaumontage		
Schlagbohrmaschine	-	-
Chemischer Anker (4000N) z.B. Hilti HIT 170 mit 8,8er Anker M10 (in Kombination mit >	M10	-

## A. VORBEREITUNG

### A.1 Hinweise zum Transport

**WARNING** Reparieren Sie niemals einen Defekt ohne Rücksprache mit Yalp.

**WARNING** Ersetzen Sie niemals Teile durch Nicht-Originalteile von Yalp. Das Yalp-Produkt wurde als gesamtprodukt geprüft, wobei die Teile sorgfältig ausgewählt wurden, um Sicherheit und Qualität zu gewährleisten.

**WARNING** Die Nichtbeachtung der entsprechenden Vorsichtsmaßnahmen kann zu Unfällen und/oder Schäden führen.

**WARNING** Beachten Sie bei der Verwendung von schwerem Gerät die Sicherheitshinweise des Herstellers.

**CAUTION** Diejenigen, die das Produkt transportieren, sollten die erforderliche Schutzausrüstung und Kleidung tragen.

- Überprüfen Sie vor dem Transport den Karton und die Palette auf Beschädigungen und/oder lose Teile.

- Die Verwendung von (schweren) Geräten sollte von einer zertifizierten Person durchgeführt werden
- Transportieren Sie das Produkt immer in aufrechter Position
- Verwenden Sie für den Transport immer die mitgelieferte Palette und das Transportmaterial
- Für den sicheren Transport des Produkts kann zusätzliche Ausrüstung erforderlich sein
- Stellen Sie sicher, dass das verwendete Material dem Gewicht und der Größe des Produkts gewachsen ist
- Packen Sie das Produkt so nah wie möglich am endgültigen Installationsort aus

## A.2 Abmessungen eines installierten Toro

### A.3 Toro Teile

**CAUTION** Diejenigen, die das Produkt auspacken, sollten die erforderliche Schutzausrüstung und Kleidung tragen.

**CAUTION** Packen Sie das Produkt erst aus, wenn es am endgültigen Installationsort angekommen ist, um Beschädigungen zu vermeiden.

- Verwenden Sie einen Gabelstapler zum Be- und Entladen der Paletten
- Verwenden Sie einen Kreuzschlitzschraubendreher (nicht im Lieferumfang enthalten), um den Holzkasten zu öffnen
- Packen Sie das Produkt in einer trockenen Umgebung aus
- Überprüfen Sie das Produkt beim Auspacken auf Schäden und fehlende Teile
- Kabel auf Beschädigung prüfen
- Wiederverwendung und Recycling des Verpackungsmaterials auf die richtige Weise

**A.4** Stellen Sie sicher, dass der Abstand zwischen dem Toro Feld und anderen festen Gegenständen mindestens 1,5 Meter beträgt.

**A.5** Bestimmen Sie die Position des Stromversorgungskabels: Es wird am 'Master-Tor' mit der Taste eingeführt. Stellen Sie sicher, dass ein Überstand von 2 Metern vorhanden ist. Das Kabel sollte mindestens 60 cm tief sein.

**WARNING** Das Stromkabel zum Gerät muss in einer separaten Gruppe im Zählerschrank mit einem 30mA-RCD abgesichert werden, der mit einer 10A- oder 16A-Sicherung ausgestattet ist.

**A.6** Schalten Sie die Stromversorgung während der Installation aus.

**A.7** Verlegen Sie die Rohre entsprechend den Maßen im Boden.

**A.8** Verlegen Sie die Kabel durch die Rohre.

**A.9** Bereiten Sie, falls erforderlich, den Boden vor:

- Stellen Sie sicher, dass die Oberfläche in alle Richtungen eben ist
- Bestimmen Sie die Bodenhöhe (Nullniveau) des Untergrunds. Dies ist der Bezugspunkt für alle anderen Messungen
- Stellen Sie sicher, dass eine ausreichende Drainage vorhanden ist.
- Platzieren Sie die Toro Tore im rechten Winkel zur Oberfläche.

**A.10** Wählen Sie die Installationsart, die für die Oberfläche geeignet ist, auf der der Solar-Pol installiert werden soll.

- Bodenmontage (im vorhandenen Boden): weiter mit Teil B
- Aufbaumontage (auf vorhandener Oberfläche): weiter mit Teil C

**WARNING** Eine Aufputzmontage ist nur möglich, wenn der Untergrund aus mindestens 15 cm Beton guter Qualität besteht.

## B. BODENMONTAGE

**NOTICE** Stellen Sie sicher, dass alle Vorbereitungen wie in Abschnitt A beschrieben getroffen werden.

**B.1** Graben Sie Löcher für die Verankerungen für jedes Ziel mit den angegebenen Abmessungen. Stellen Sie sicher, dass das Netzkabel in Position ist.

**B.2** Montieren Sie die Anker an den Formen. Setzen Sie die Formen mit Ankern in die Löcher.

**B.3** Gießen Sie Beton in die Löcher. Stellen Sie sicher, dass die Stromkabel durch das Loch in der Mitte der Form geführt werden. Warten Sie, bis der Beton ausgehärtet ist.

**B.4** Entfernen Sie die Formen aus den Ankern.

**B.5** Wiederholen Sie die vorherigen Schritte für die anderen 3 Ziele.

**NOTICE** Setzen Sie die Installation bei Schritt D.1 fort.

## C. MONTAGE

**NOTICE** Stellen Sie sicher, dass alle Vorbereitungen wie in Abschnitt A beschrieben getroffen wurden.

**C.1** Richten Sie die Schablonen gemäß der Zeichnung aus.

**C.2** Bohren Sie 6 Löcher pro Schablone wie angegeben.

**C.3** Entfernen Sie die Vorrichtung und installieren Sie die chemischen Dübel gemäß den Anweisungen des Herstellers.

## D. INSTALLATION

**CAUTION** Diejenigen, die dieses Produkt installieren, sollten angemessene Schutzausrüstung und Kleidung tragen.

**D.1** Entfernen Sie die Torabdeckungen.

**D.2** Heben Sie das Mastertor (mit Knauf) mit einem Kran/Gabelstapler und Hebegurten an.

**D.3** Senken Sie das Tor langsam in die Position ab und achten Sie darauf, keine Kabel einzuklemmen.

**D.4** Befestigen Sie das Tor an den Verankerungen.

**D.5** Wiederholen Sie die Schritte D.1 bis D.3 für die anderen (grundlegenden) Ziele.

**D.6** Schließen Sie das Netzkabel an den Netzanschluss (weißes Kästchen) im Inneren des Toro an.

**WARNING** Die Elektroinstallation muss von einem zertifizierten Installateur gemäß den regionalen Richtlinien zur sicheren Installation von Elektrogeräten (z. B. NEN 1010) durchgeführt werden.

**WARNING** Schakel de stroom uit voor het aansluiten van alle kabels. Het aansluiten van kabels zonder de stroom af te schakelen kan leiden tot schade aan het product of schade voor de gezondheid (elektrische schokken).

**D.7** Verbinden Sie die von den anderen 3 Basistoren kommenden Kabel mit dem Computer im Mastertor.

**WARNING** Hinweis: Schließen Sie die richtigen Tore an die richtigen Eingänge an, wie durch die Beschriftungen angegeben.

**D.8** Decken Sie die Tore mit den Metallplatten ab und schrauben Sie sie wieder an.

**D.9** Entfernen Sie die Transportösen an den Toren.

**D.10** Setzen Sie die Einsätze in die beiden offenen Löcher pro Tor.

**D.11** Ja, der Toro ist bereit zum Spielen!

## E. AUSWECHSELN EINER TORO PLATTE

**E.1** Entfernen Sie die oberen und seitlichen Profile des Toro Tors.

**E.2** Entfernen Sie die transparente Frontplatte, heben Sie sie nach oben aus der Aussparung.

**E.3** Entfernen Sie die obere Halterung von der Schalttafel.

**E.4** Entfernen Sie die gebrochene Platte.

**E.5** Platzieren Sie ein neues Panel. Dieser muss oben und unten (!) einen Gummistreifen haben. Und bringen Sie alle vorherigen Schritte von E.3 bis E.1 in den ursprünglichen Zustand zurück.

### UNTERSTÜTZUNG

Für Fragen, Anmerkungen oder Hilfe können Sie sich jederzeit an die Yalp-Zentrale wenden, die Leute dort sind sehr nett:

#### Yalp

Nieuwenkampsmaten 12  
7472 DE Goor  
Niederlande  
+31 (0) 547 289 410  
support@yalp.com

Die Kontaktdaten der Yalp Distributoren oder Niederlassungen finden Sie auf Yalp.com oder in der Liste der Distributoren unter store.yalp.com.

### MANUELLER NEUSTART (POWER CYCLE)

- Schalten Sie das Gerät aus
- 30 Sekunden warten
- Schalten Sie den Strom wieder ein

**NOTICE** Verwenden Sie keine externe Zeitschaltuhr, um das Gerät automatisch ein- und auszuschalten. Falls gewünscht, verwenden Sie die Online-Optionen in MyYalp, um das Gerät ein- und auszuschalte.

### REINIGUNG UND WARTUNG

**WARNING** Befolgen Sie bei der Wartung des Produkts genau die Anweisungen in diesem Abschnitt. Die Nichtbeachtung dieser Anweisungen kann zu schweren Verletzungen oder Schäden führen.

**WARNING** Stellen Sie immer sicher, dass das Produkt ausgeschaltet ist, bevor Sie Inspektionen oder Wartungsarbeiten durchführen.

**WARNING** Verwenden Sie bei der Wartung des Produkts nur identische Ersatzteile. Die Verwendung von nicht autorisierten Teilen kann zu schweren Verletzungen oder Schäden führen.

- Reinigen Sie das Produkt alle 6 Monate mit milder Seife und einem nicht kratzenden Tuch.
- Behandeln Sie die Polyesterhauben zweimal im Jahr mit Autowachs (Turtle-Wachs) für eine dauerhaft schöne Oberfläche.
- Das Produkt sollte regelmäßig auf beschädigte oder fehlende Teile überprüft werden.
- Wenn Teile beschädigt sind oder fehlen, sollte das Produkt abgeklemmt und die Teile korrigiert, repariert oder ersetzt werden, um Verletzungen zu vermeiden
- Ziehen Sie die Schrauben alle 6 Monate nach, um ein Lösen der Schrauben zu verhindern

### BODENPFLEGE

- Bürsten Sie den Kunstrasen regelmäßig mit einem harten Besen, einer Harke oder einer Bürstenmaschine
- Halten Sie den Kunstrasen frei von Ablagerungen, Unkraut und Laub
- Schmutz mit Wasser wegspülen

### UMZUG

### DEMONTAGE

**NOTICE** Stellen Sie sicher, dass das Produkt ausgeschaltet ist, um einen Stromschlag zu vermeiden.

**NOTICE** Die Demontage sollte von einem zertifizierten Installateur gemäß den regionalen Richtlinien zur sicheren Demontage von elektrischen Geräten (z. B. NEN 1010) durchgeführt werden.

**NOTICE** Schützen Sie die Teile nach der Demontage und beim Transport mit geeigneten Materialien.

**NOTICE** Wenn das Produkt an einem anderen Ort wieder eingebaut werden soll, prüfen Sie alle demontierten Teile auf ihre Wiederverwendbarkeit. Erforderliche Ersatzteile können separat bestellt werden.

Bitte kontaktieren Sie uns für Unterstützung.

## ENTSORGUNG

Wenn Sie Unterstützung bei der Entsorgung des Produkts benötigen, nehmen Sie bitte Kontakt

mit uns auf und erkundigen Sie sich nach unseren Leistungen und möglichen Kosten.

## RECYCLING

Achten Sie bei der Entsorgung darauf, dass alle Teile des Produkts einer sinnvollen und ordnungsgemäßen Wiederverwertung zugeführt werden. Um dieses Produkt zu

recyclen, kontaktieren Sie uns bitte, um das Produkt zurückzusenden. Wir recyceln dann das gebrauchte Produkt in einer Weise, die unseren Nachhaltigkeitsrichtlinien entspricht.

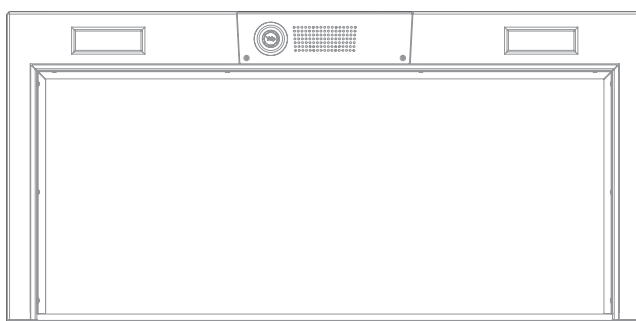
## GEWÄHRLEISTUNGS- UND SERVICEBEDINGUNGEN

Dokumente zur Gewährleistung und zu den Nutzungsbedingungen für dieses Produkt, MyYalp, Inhalte und Software finden Sie unter [store.yalp.com/downloads](https://store.yalp.com/downloads).



# Yalp Toro

YA3805



*Installation instructions*

*Installatievoorschrift*

*Installationsanweisungen*

**EN**

**NL**

**DE**