

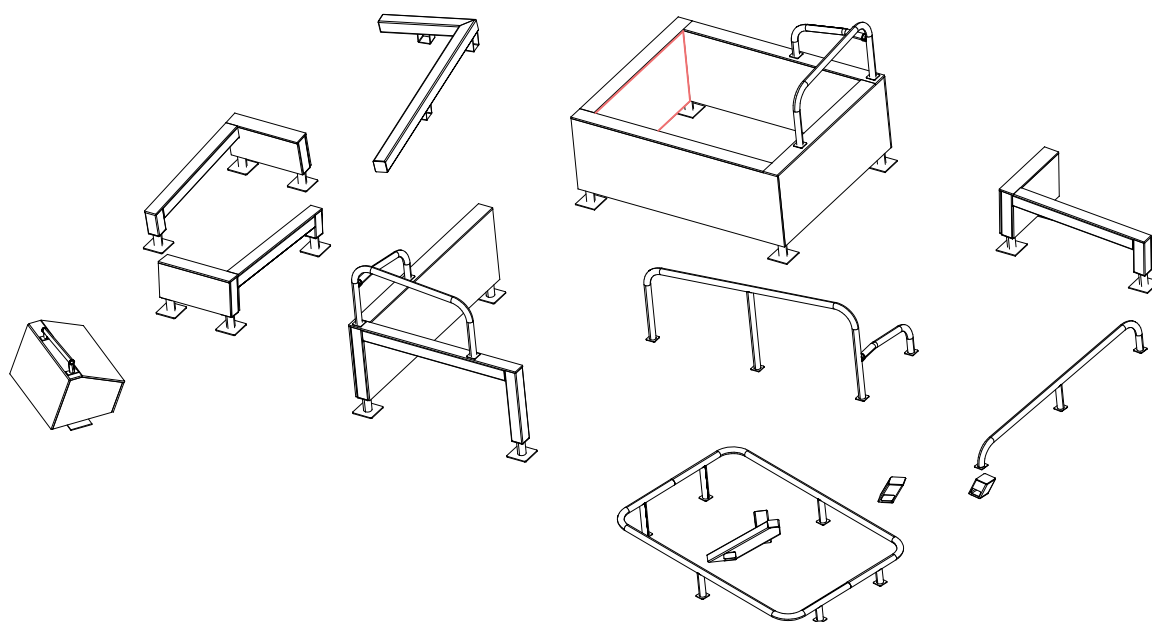
# **LAPPSET®**

## **DASH PARKOUR**

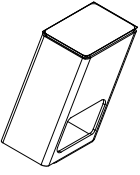

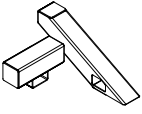

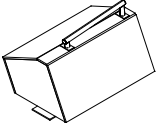



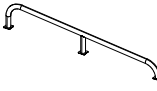

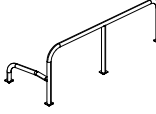

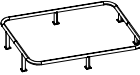
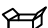
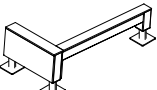

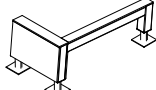

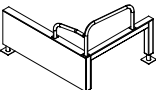
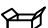
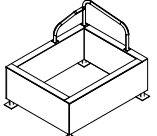

ASENNUSOHJE  
MONTERINGSANSVISNING  
INSTALLATION INSTRUCTION  
AUFBAUANLEITUNG  
NOTICE D'INSTALLATION

DATE: 13.11.2019

### **081783M**



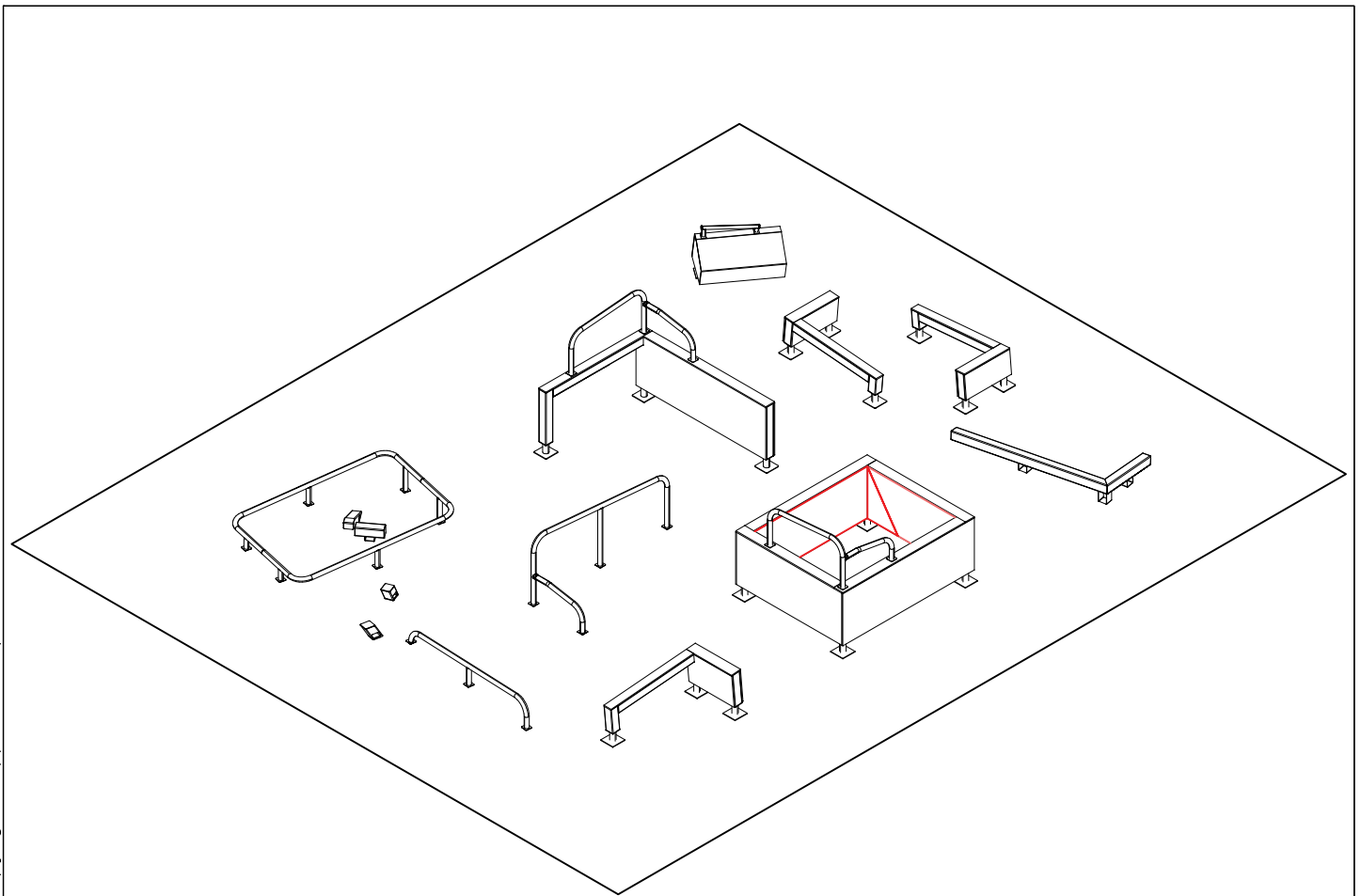
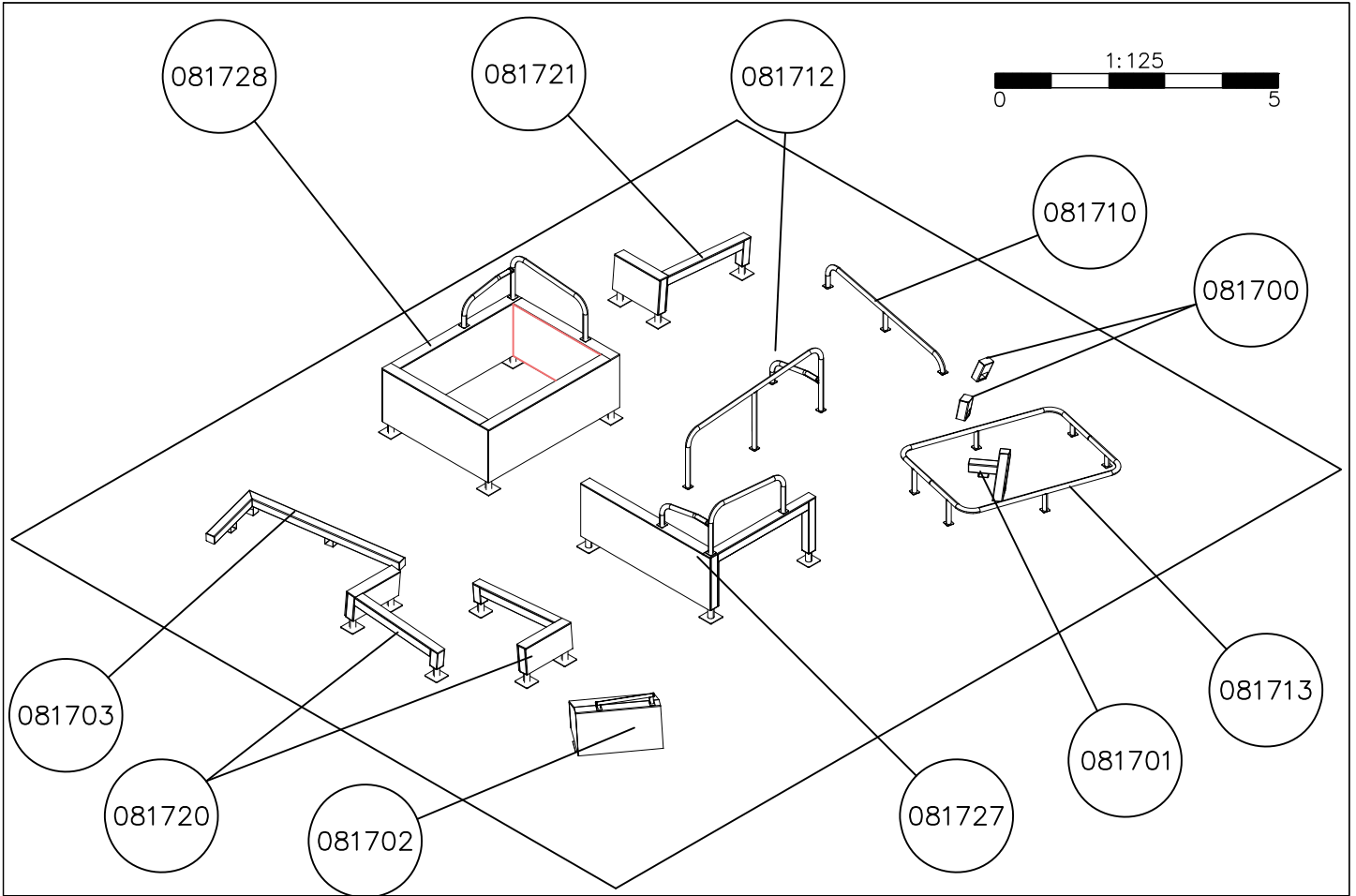
DATE: 13.11.2019

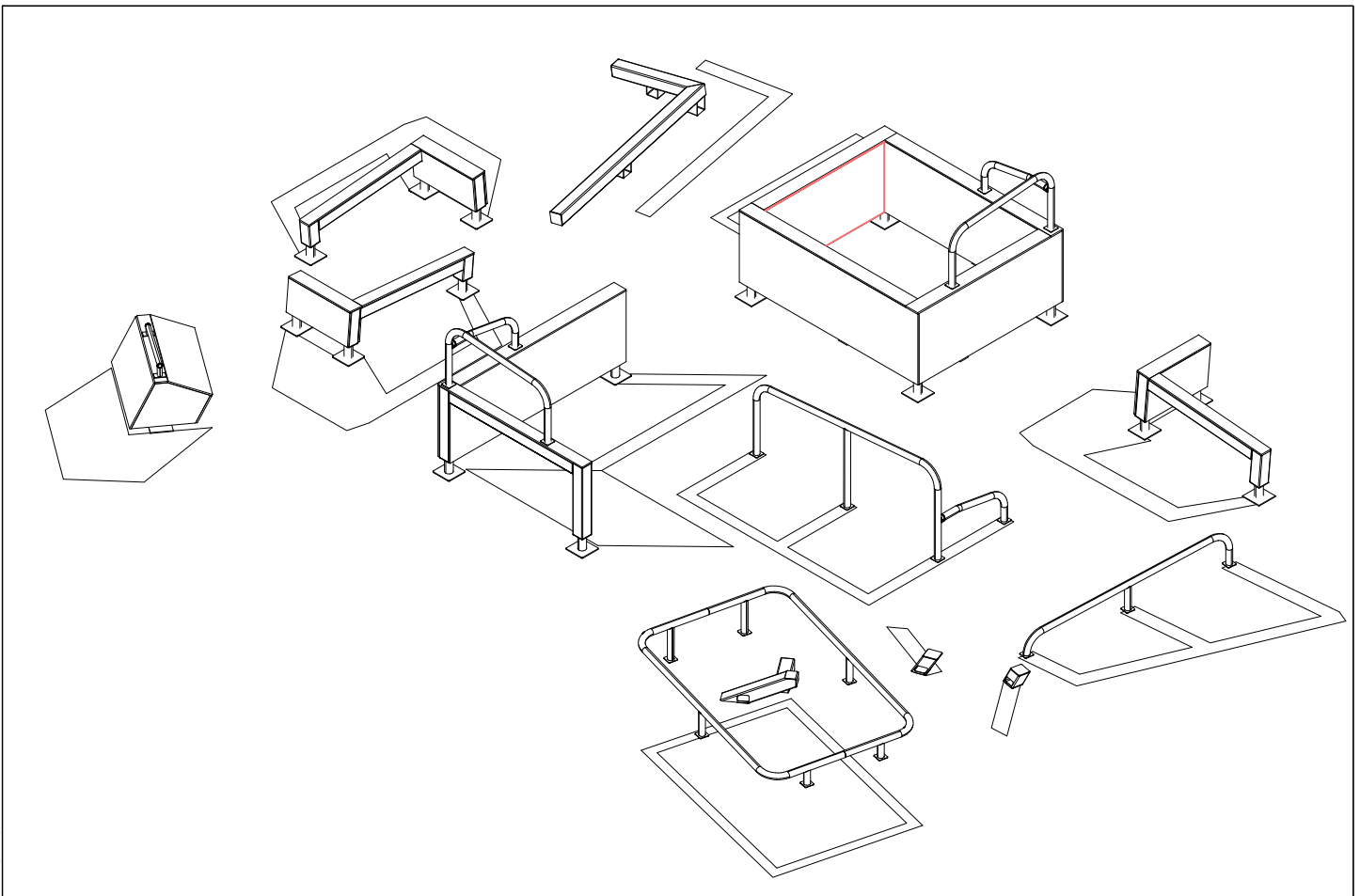
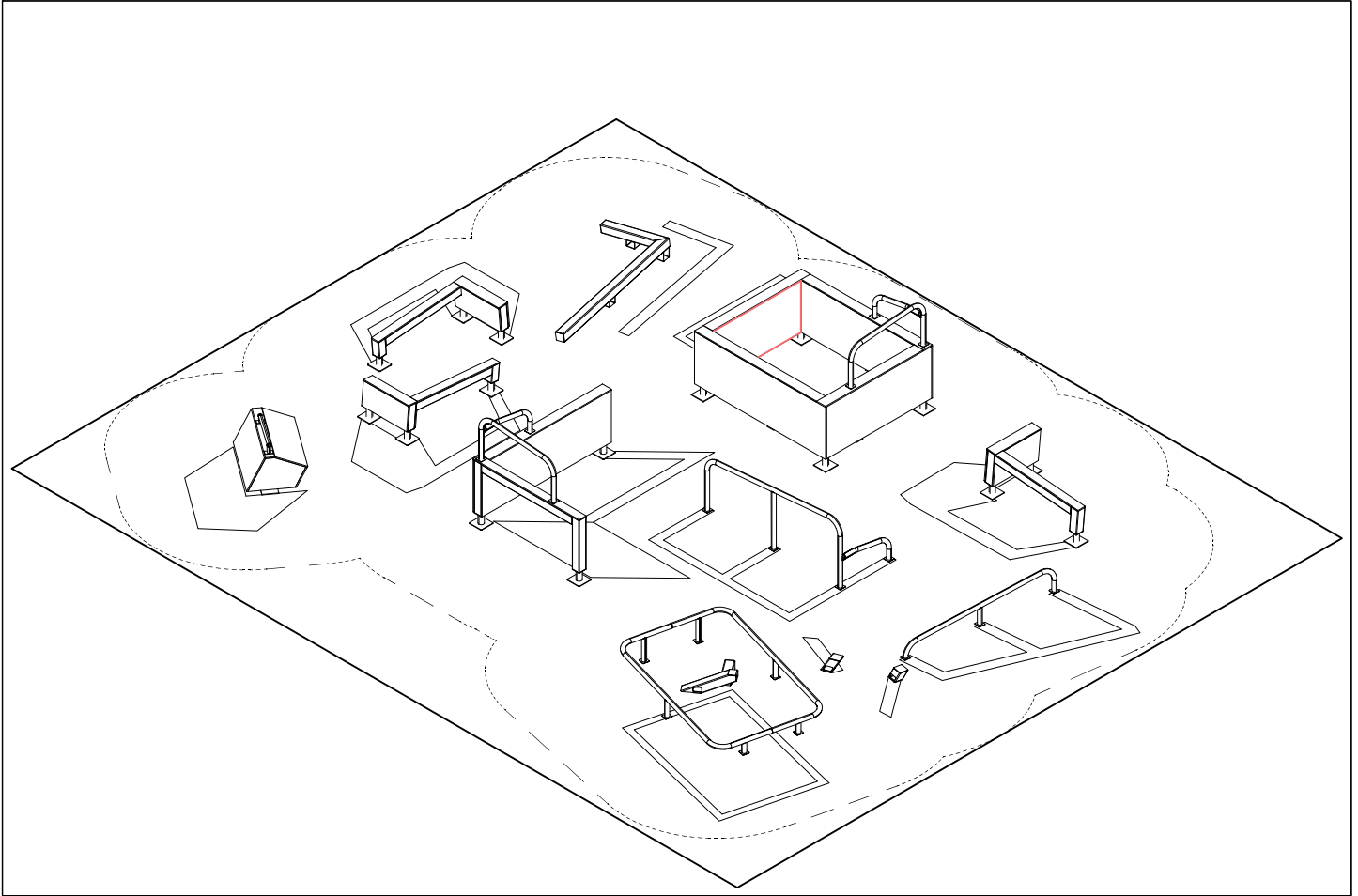
081700M  	PCS 2	081701M  	PCS 1	081702M  	PCS 1	081703M  	PCS 1	081710M  	PCS 1	081712M  	PCS 1
081713M  	PCS 1	081720M  	PCS 2	081721M  	PCS 1	081727  	PCS 1	081728M  	PCS 1		PCS
	PCS		PCS		PCS		PCS		PCS		PCS
	PCS		PCS		PCS		PCS		PCS		PCS
	PCS		PCS		PCS		PCS		PCS		PCS
	PCS		PCS		PCS		PCS		PCS		PCS
	PCS		PCS		PCS		PCS		PCS		PCS

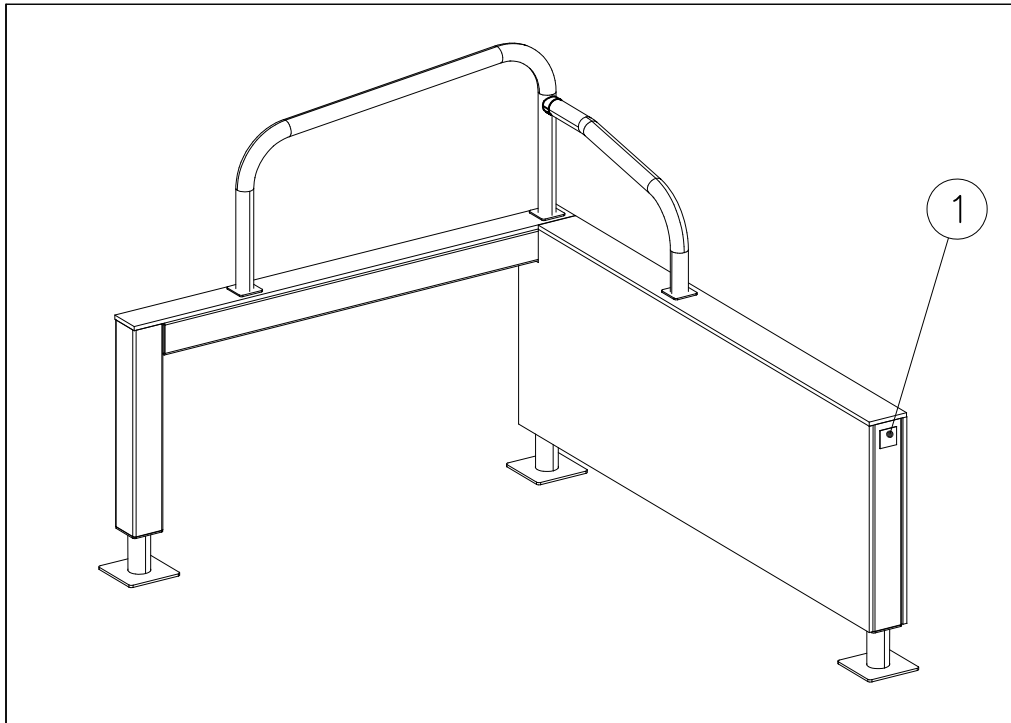






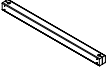



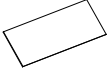



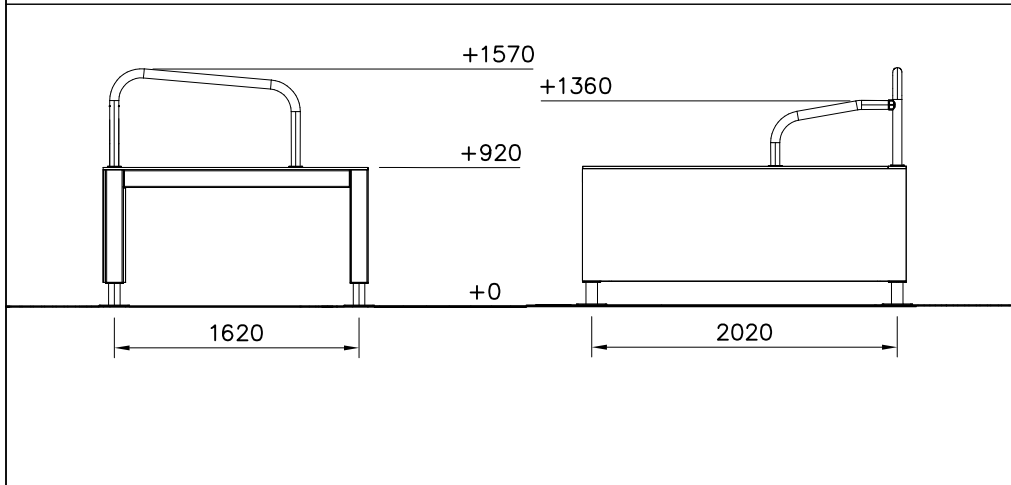


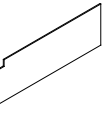



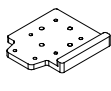

① 702286	PCS	② 707213	PCS
	1		1
65x65		118x118x1490	

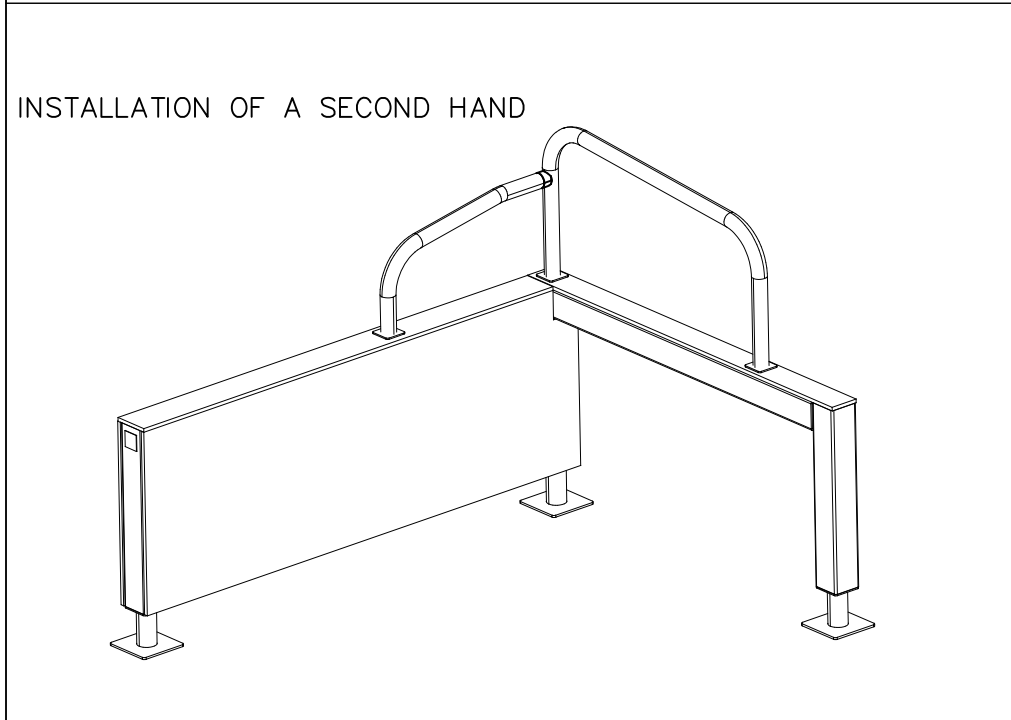
③ 707517	PCS	④ 708137	PCS
	2		3
118x118x1892		118x118x745	



⑤ 708715	PCS	⑥ 708840	PCS
	1		1
15x745x2140		15x148x2018	





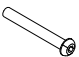

⑦ 708845	PCS	⑧ 708846	PCS
	1		1
15x745x2138		15x118x1751	

⑨ 708857	PCS	⑩ 980154	PCS
	1		1
20x133x149		Ø24/13	


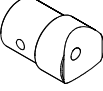



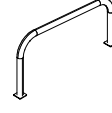
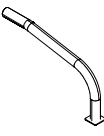
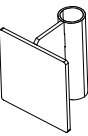


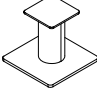
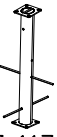
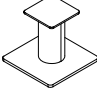
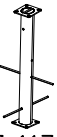
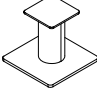
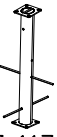


⑪ 900240	PCS	⑫ 900965	PCS
	24		1
Ø8x70		M10	

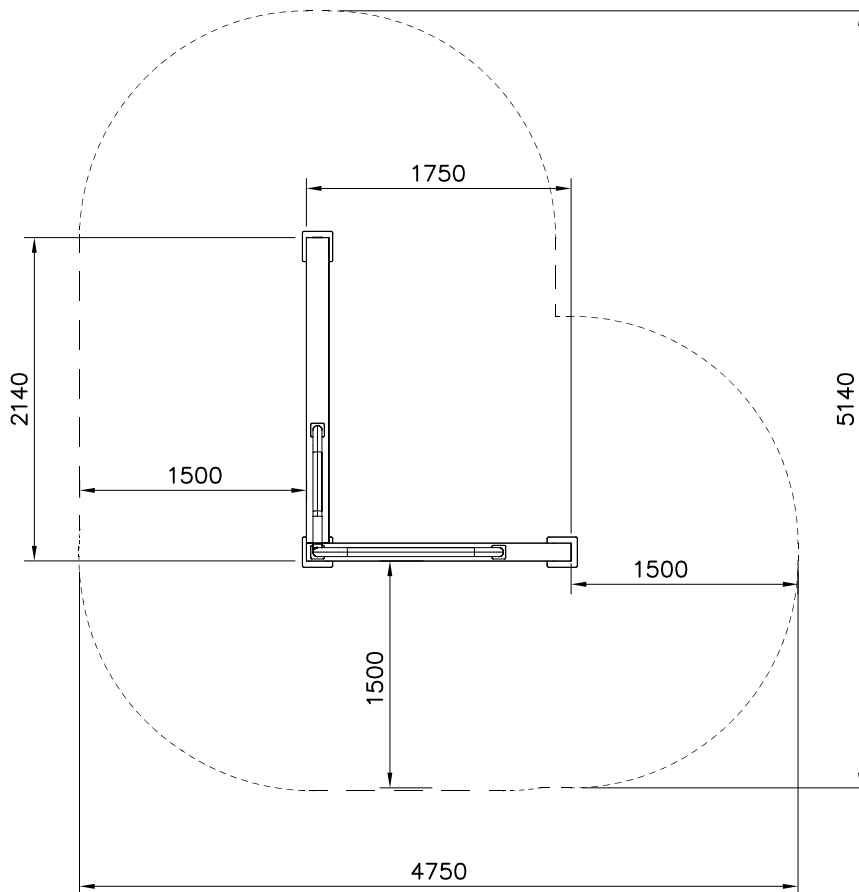
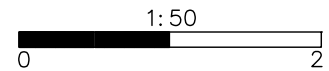
⑬ 903093	PCS	⑭ 903533	PCS
	24		4
Ø8x90		SRL12	

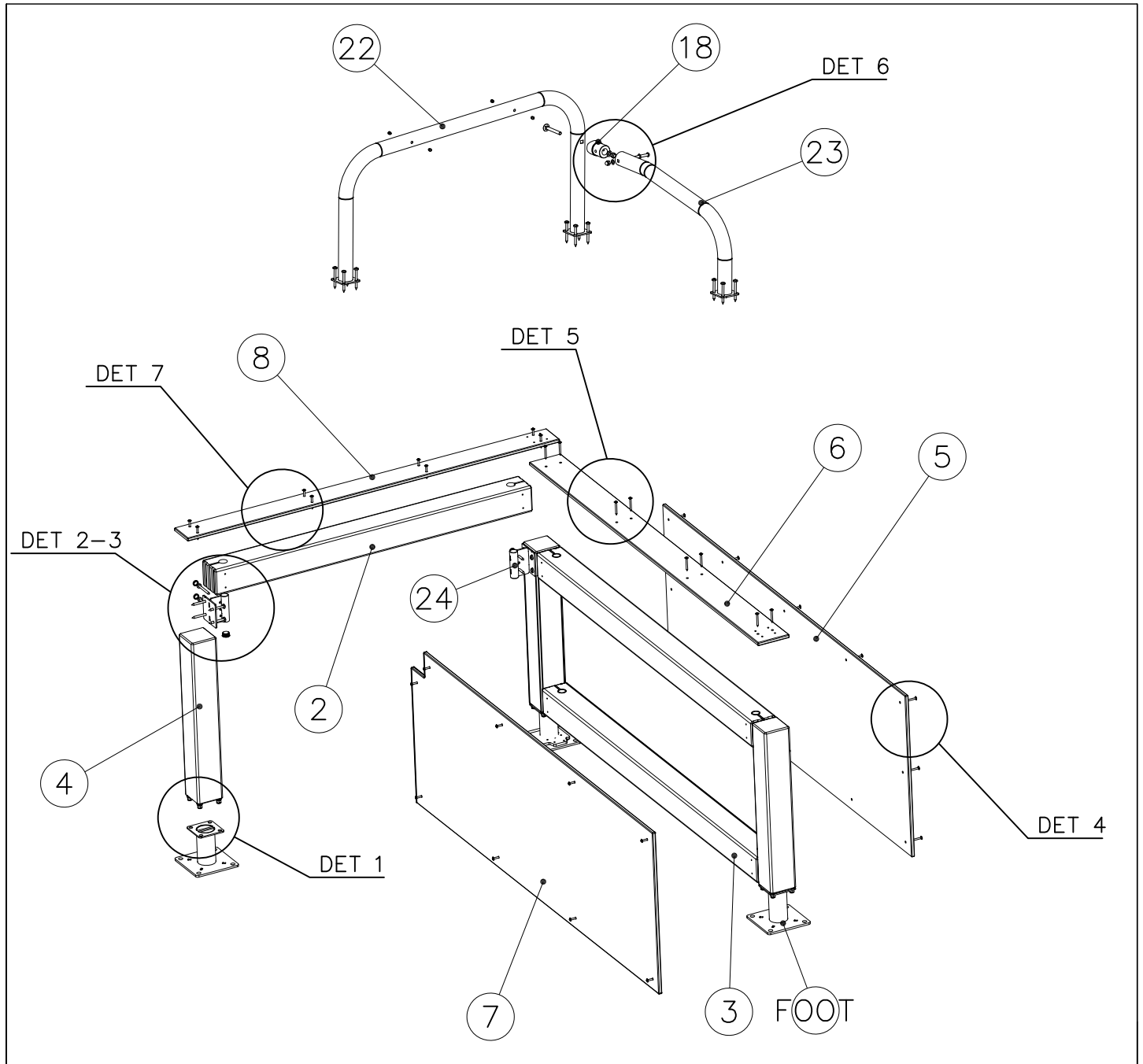
⑮ 904133	PCS	⑯ 905103	PCS
	1		6
M10x80		PT-28/32-H	



<p>⑰ 905112 PCS 12</p>  <p>Ø22</p>	<p>⑱ 908069 PCS 1</p>  <p>Ø60x87.6</p>	<p>⑲ 909111 PCS 1</p>  <p>M12x100</p>	<p>⑳ 909248 PCS 1</p>  <p>M12</p>	<p>㉑ 909638 PCS 4</p>  <p>Ø20/10.5</p>	<p>㉒ 910254 PCS 1</p>  <p>Ø60x650x1290</p>		
<p>㉓ 910262 PCS 1</p>  <p>Ø60x435x795</p>	<p>㉔ 910266 PCS 6</p>  <p>90x108x118</p>	<p>㉕ 980123 PCS 37</p>  <p>Ø7x60</p>	<p>㉖ 980114 PCS 4</p>  <p>Ø4x20</p>	<p>FOOT OPTIONS 709261+ 709262+</p> <table border="1"> <tr> <td> <p>○ 910330 SURFACE PCS 3</p>  <p>152x200x200</p> </td> <td> <p>○ 910567 CONCRETE PCS 3</p>  <p>117x117x715</p> </td> </tr> </table>		<p>○ 910330 SURFACE PCS 3</p>  <p>152x200x200</p>	<p>○ 910567 CONCRETE PCS 3</p>  <p>117x117x715</p>
<p>○ 910330 SURFACE PCS 3</p>  <p>152x200x200</p>	<p>○ 910567 CONCRETE PCS 3</p>  <p>117x117x715</p>						

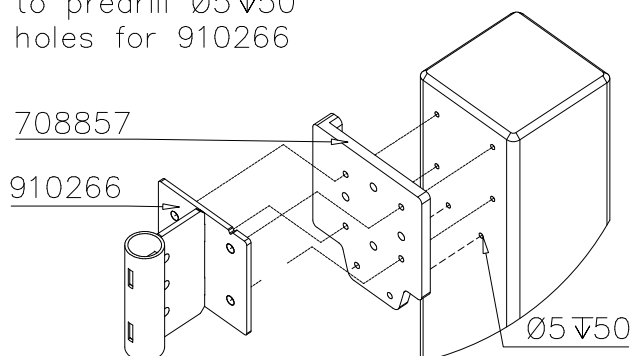
----- Falling Space 18.8 m<sup>2</sup>  
Max Falling Height 920 mm



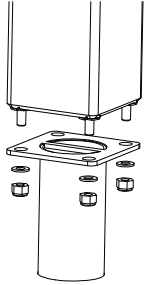


JIG DET A (USE DET 2)

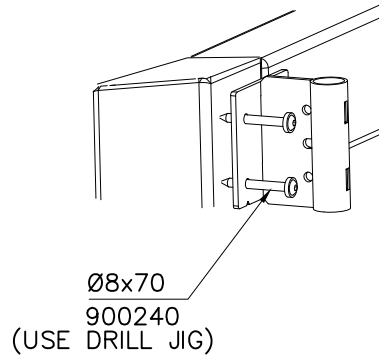
NOTE:  
Use drill jig 708857  
to predrill  $\text{Ø}5 \nabla 50$   
holes for 910266



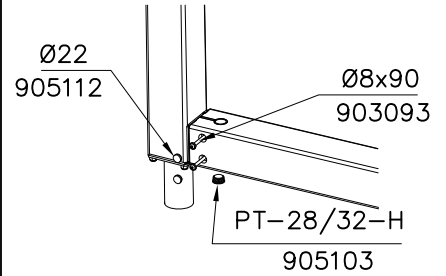
DET 1



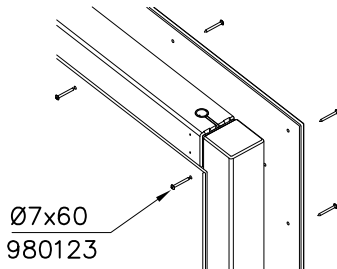
DET 2



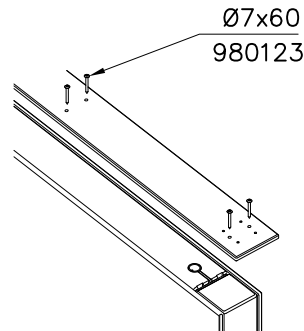
DET 3



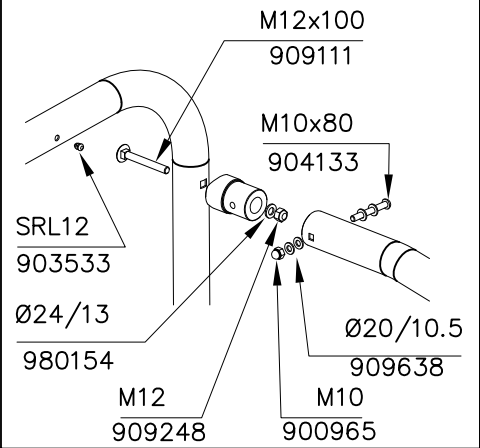
DET 4



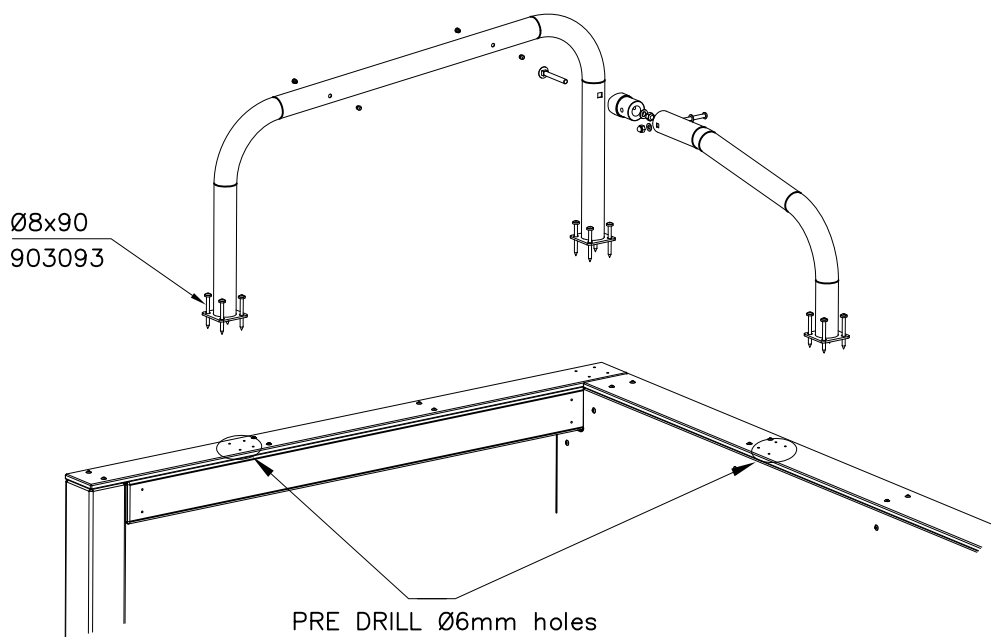
DET 5

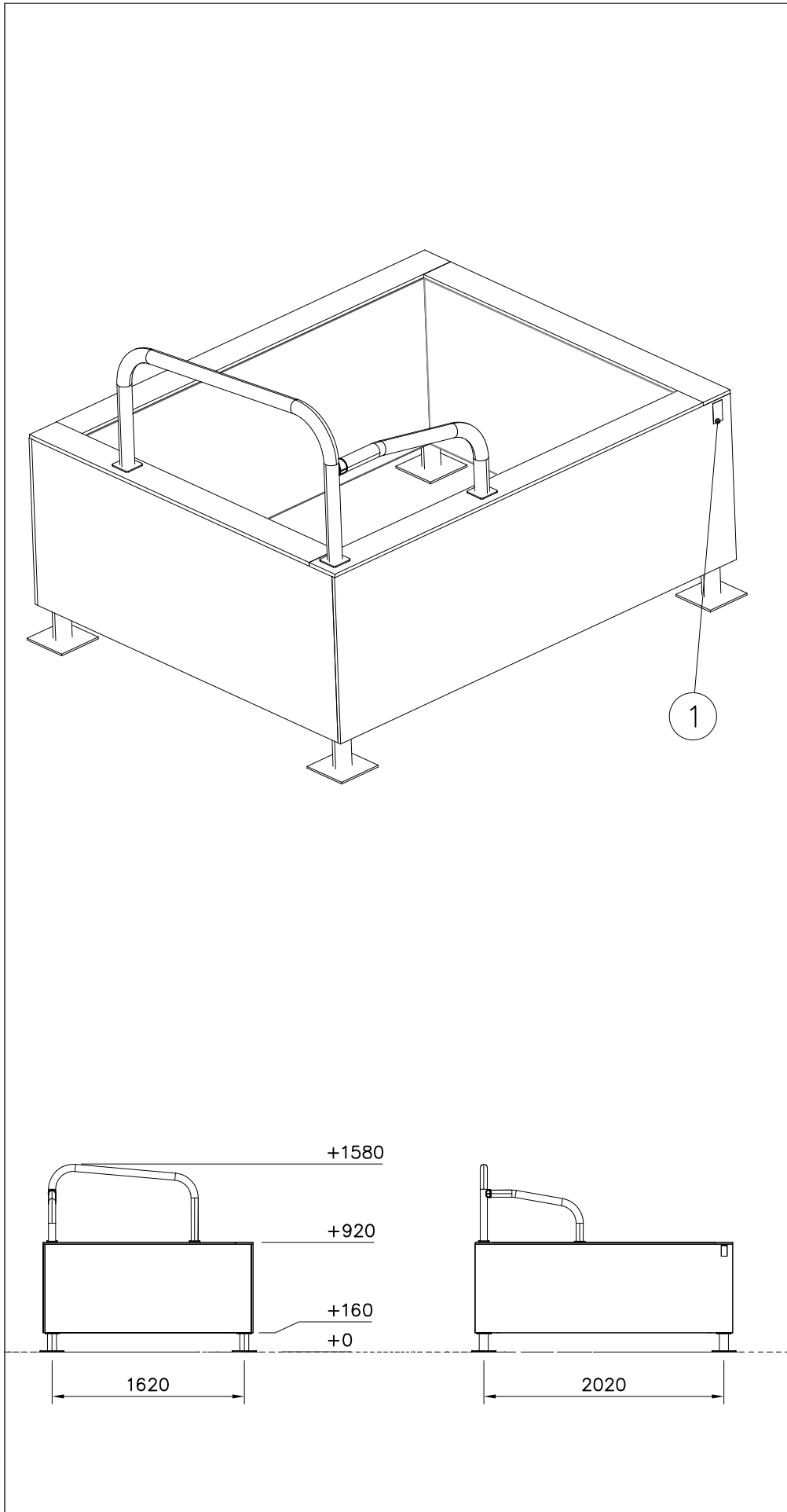


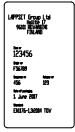

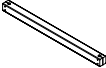



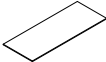


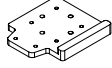





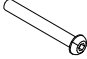
DET 6



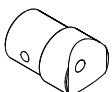




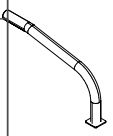
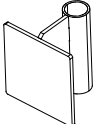

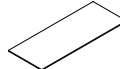
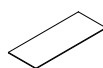


DET 7

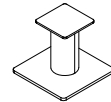





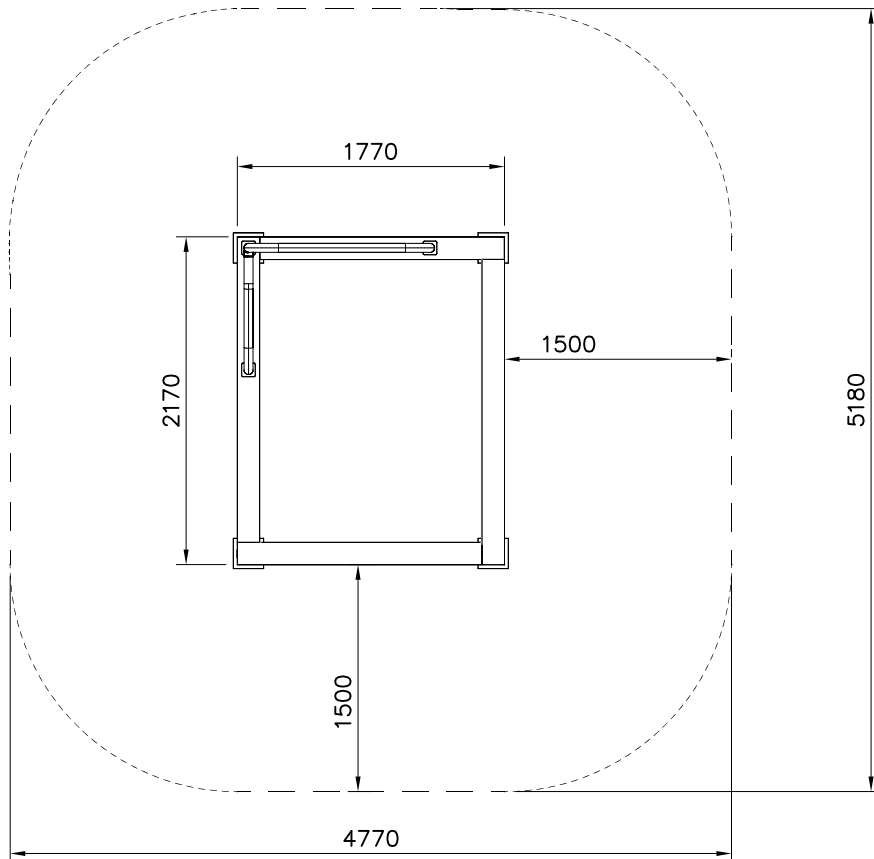
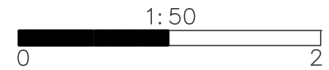
①	702341	PCS	②	707213	PCS
		1			4
	90x50			118x118x1490	
③	707517	PCS	④	708137	PCS
		4			4
	118x118x1892			118x118x745	
⑤	708836	PCS	⑥	708837	PCS
		2			2
	15x745x1736			15x745x2168	
⑦	708839	PCS	⑧	708840	PCS
		1			2
	15x745x1897			15x148x2018	
⑨	708841	PCS	⑩	708857	PCS
		2		JIG 	1
	15x148x1616			20x133x149	
⑪	980154	PCS	⑫	900240	PCS
		1			64
	Ø24/13			Ø8x70	
⑬	900965	PCS	⑭	903093	PCS
		1			44
	M10			Ø8x90	
⑮	903533	PCS	⑯	904133	PCS
		4			1
	SRL12			M10x80	

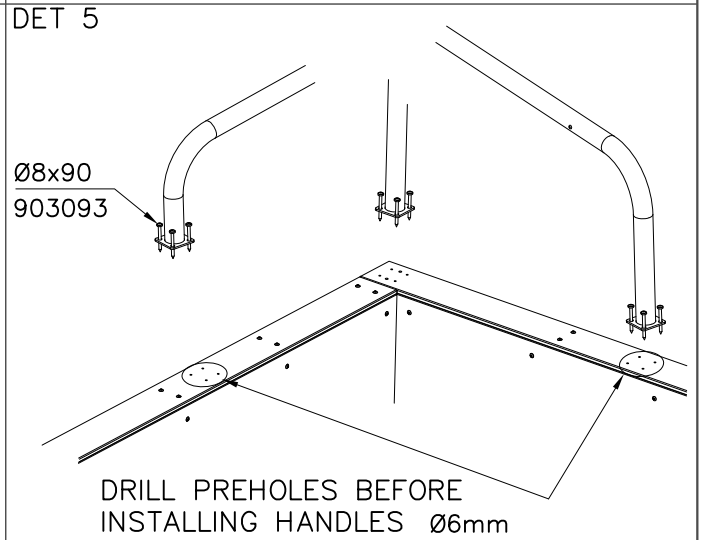
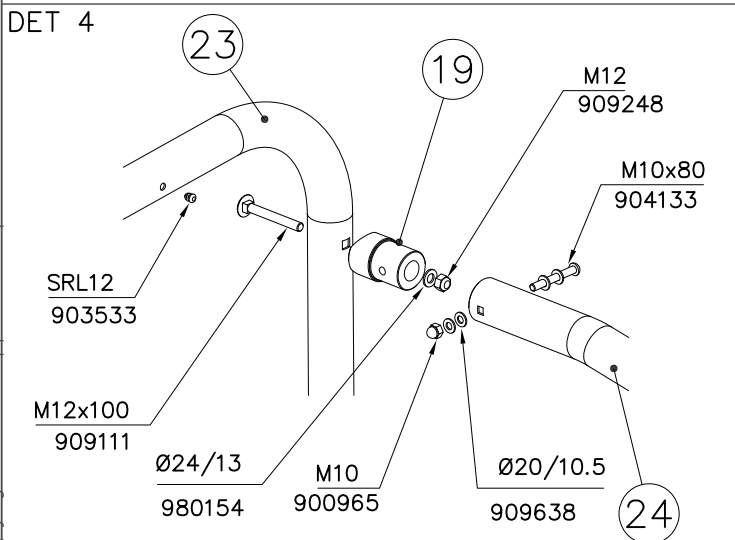
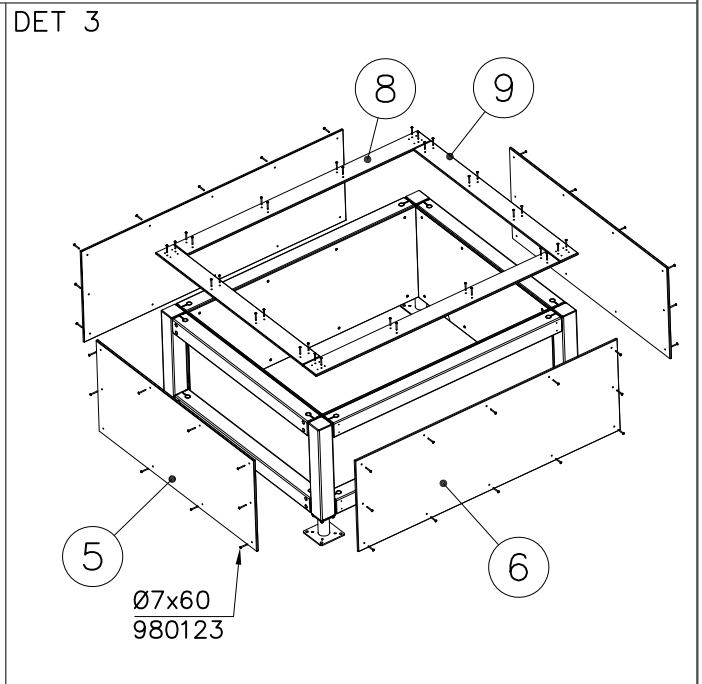
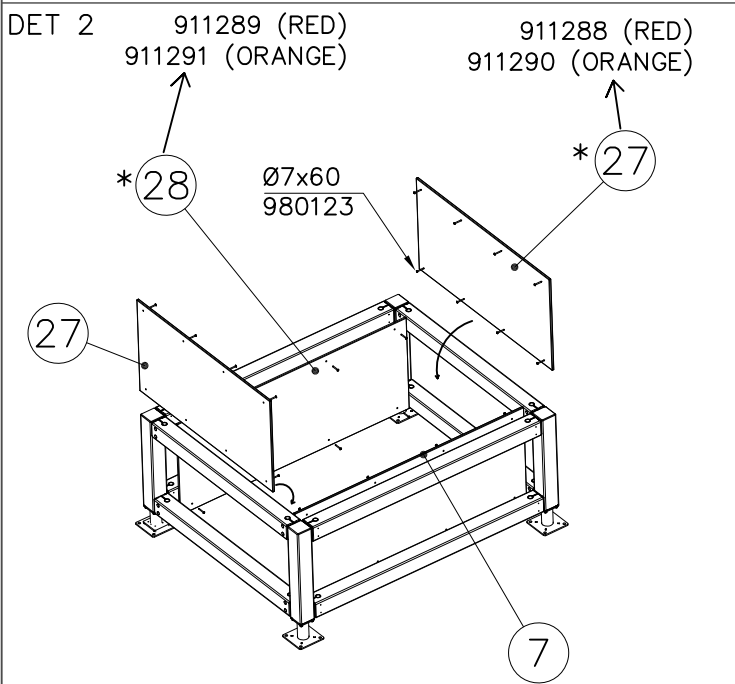
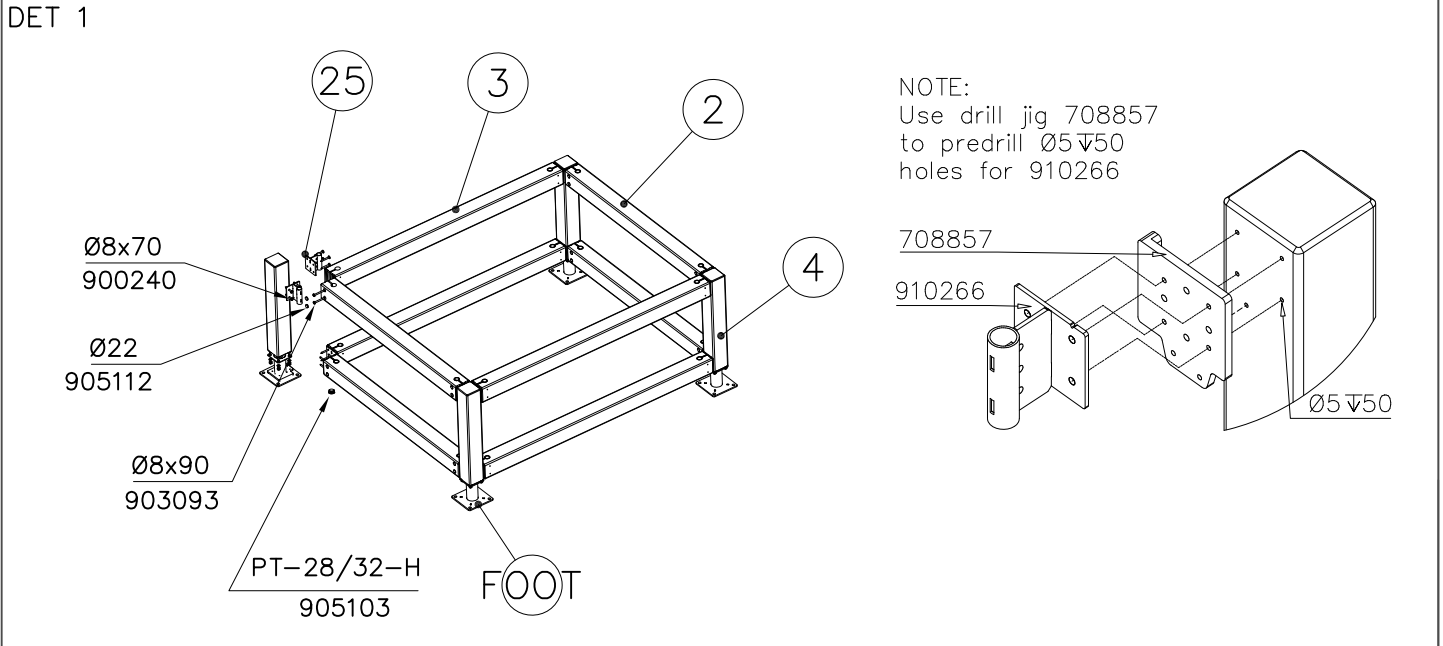
<p>⑰ 905103</p>  <p>PCS 16</p> <p>PT-28/32-H</p>	<p>⑱ 905112</p>  <p>PCS 32</p> <p>Ø22</p>	<p>⑲ 908069</p>  <p>PCS 1</p> <p>Ø60x87.6</p>	<p>⑳ 909111</p>  <p>PCS 1</p> <p>M12x100</p>	<p>㉑ 909248</p>  <p>PCS 1</p> <p>M12</p>	<p>㉒ 909638</p>  <p>PCS 4</p> <p>Ø20/10.5</p>
<p>㉓ 910254</p>  <p>PCS 1</p> <p>Ø60x650x1290</p>	<p>㉔ 910262</p>  <p>PCS 1</p> <p>Ø60x435x795</p>	<p>㉕ 910266</p>  <p>PCS 16</p> <p>90x108x118</p>	<p>㉖ 980123</p>  <p>PCS 108</p> <p>Ø7x60</p>	<p>㉗ 911288 COLOR</p>  <p>PCS 2</p> <p>15x745x1465</p>	<p>㉘ 911289 COLOR</p>  <p>PCS 1</p> <p>15x745x1897</p>

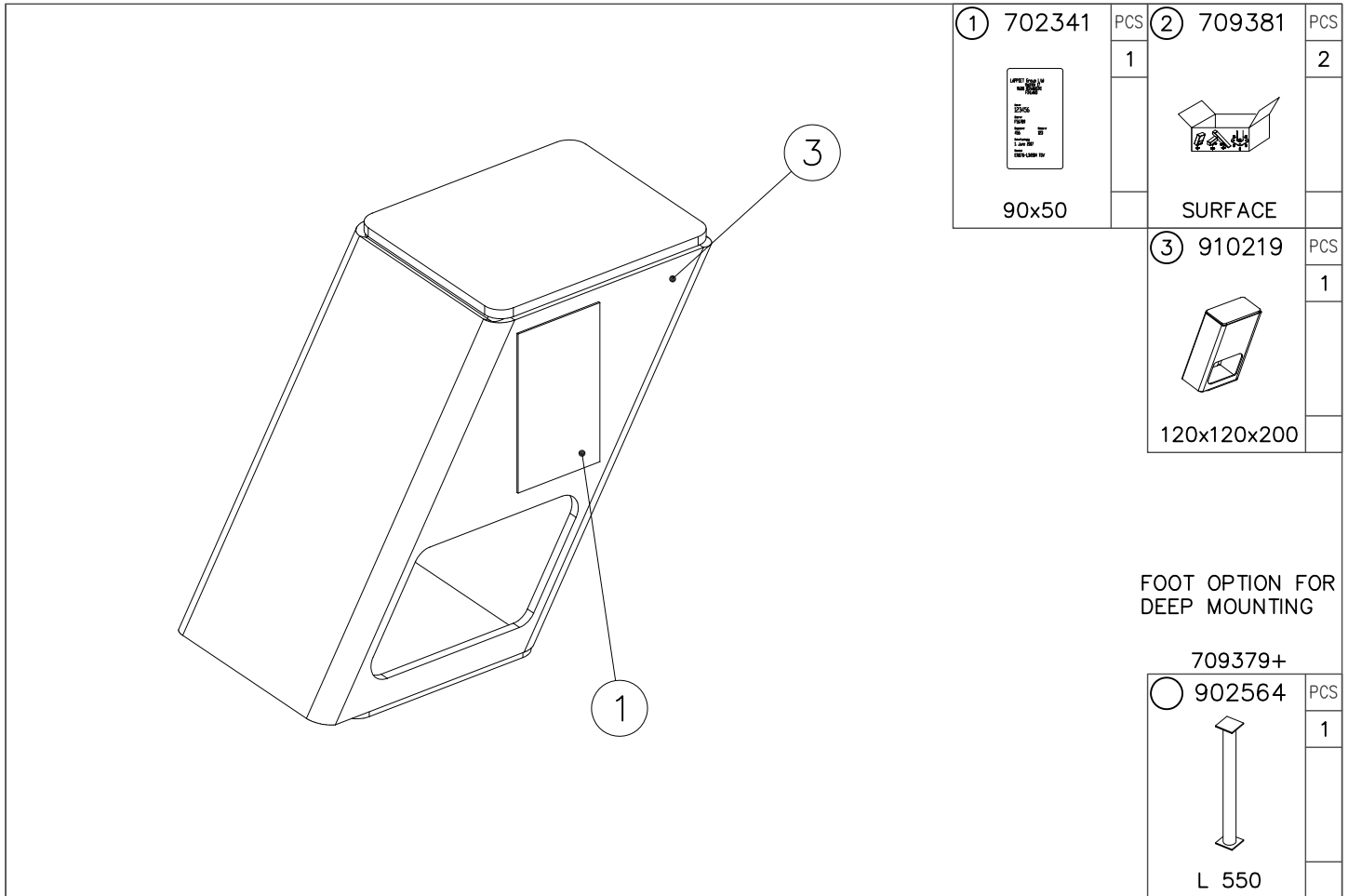
FOOT OPTIONS

709261+		709262+	
<p>○ 910330</p> <p>SURFACE</p>  <p>152x200x200</p>	<p>PCS 4</p>	<p>○ 910567</p> <p>CONCRETE</p>  <p>117x117x715</p>	<p>PCS 4</p>

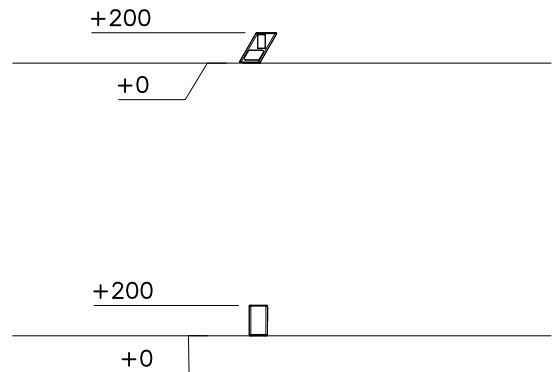
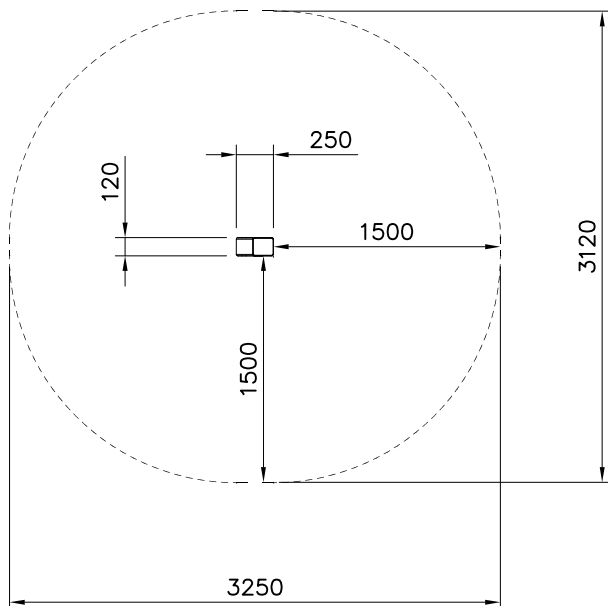
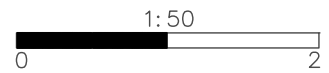
----- Falling Space 22.7 m<sup>2</sup>  
Max Falling Height 1580 mm



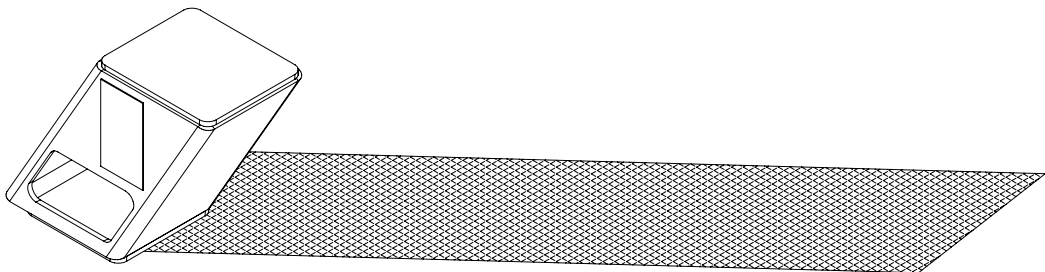
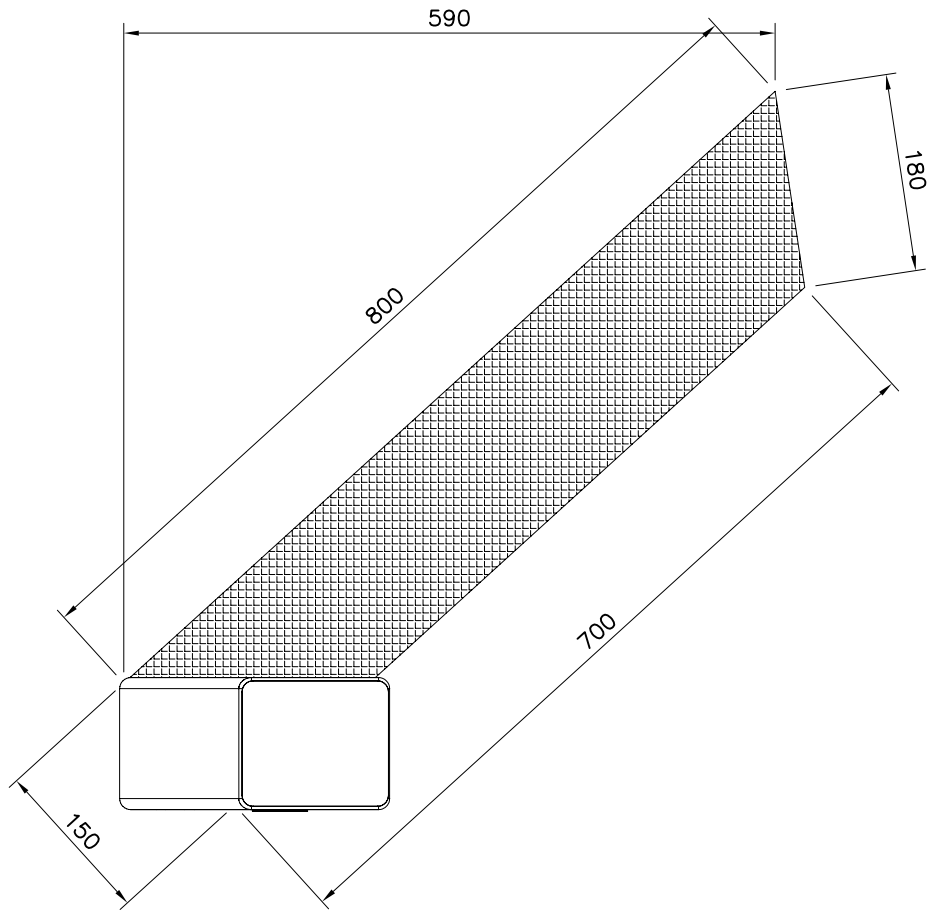




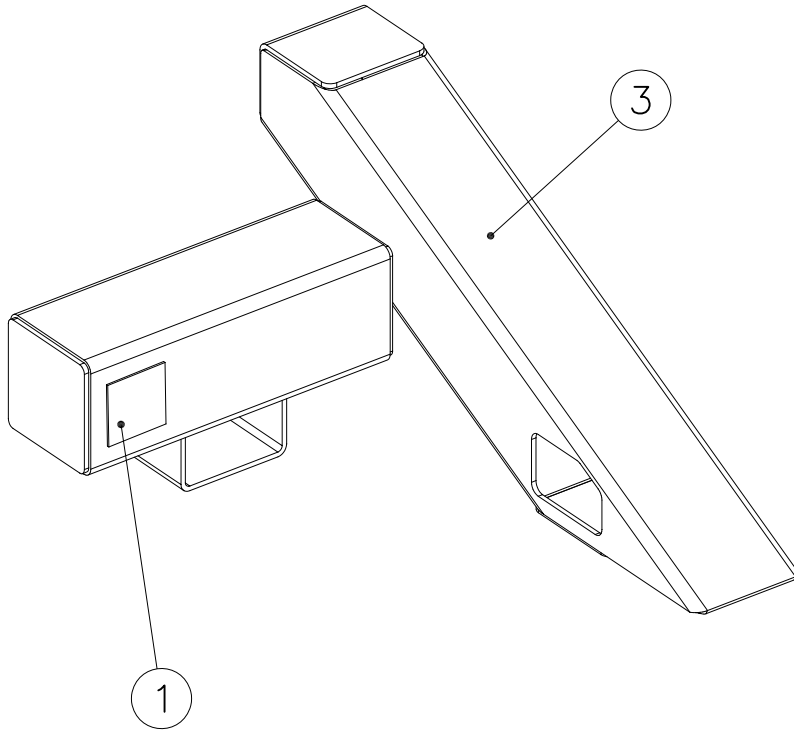
----- Falling Space 8.2 m<sup>2</sup>  
Max Falling Height 200 mm

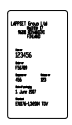



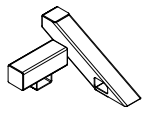
Shadow lines






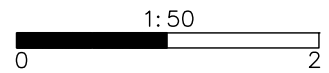


① 702341	PCS	② 709381	PCS
	1		2
90x50		SURFACE	

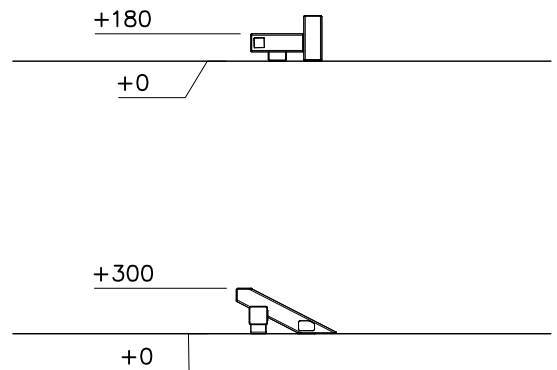
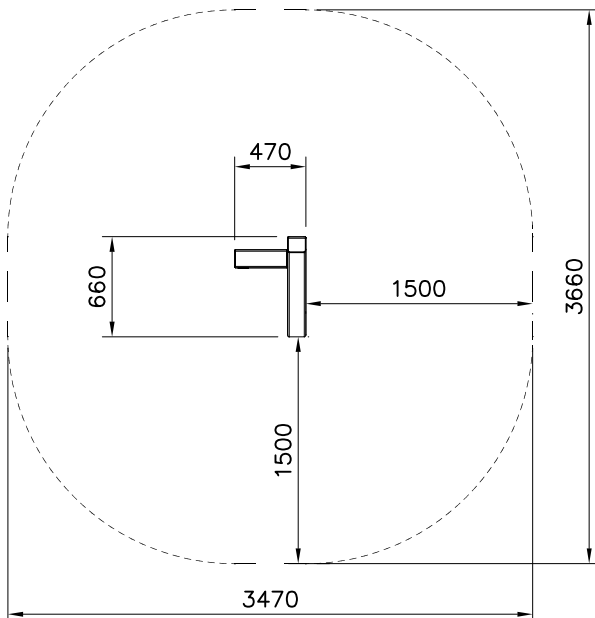
③ 910220	PCS
	1
300x470x662	

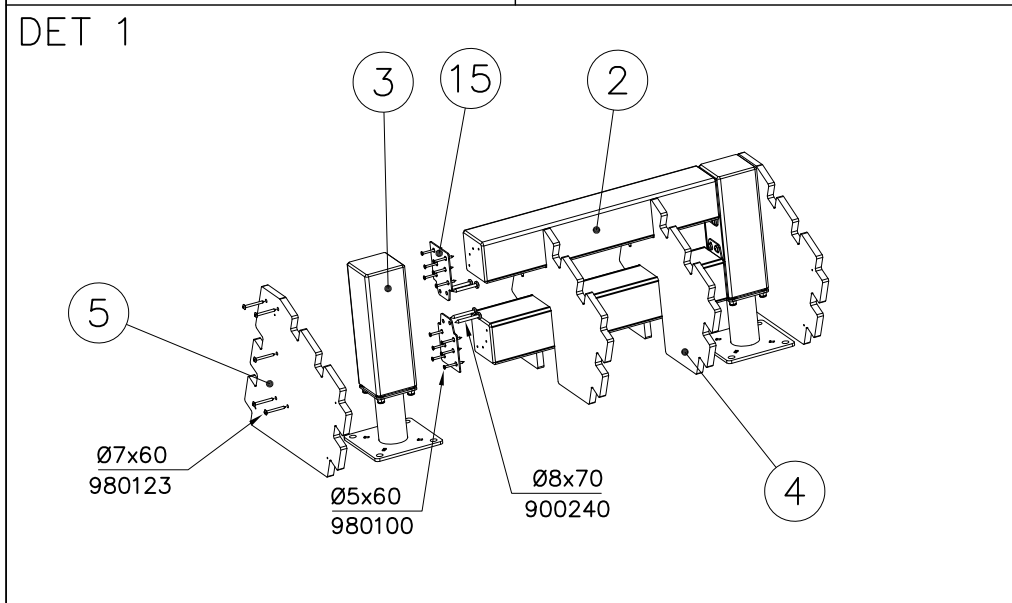
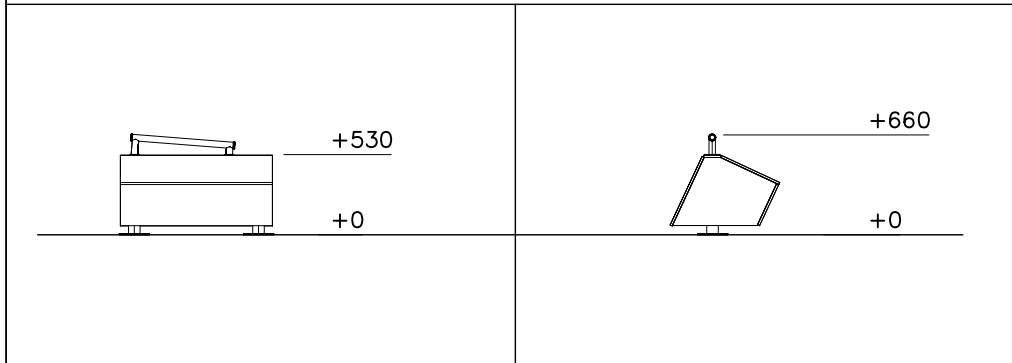
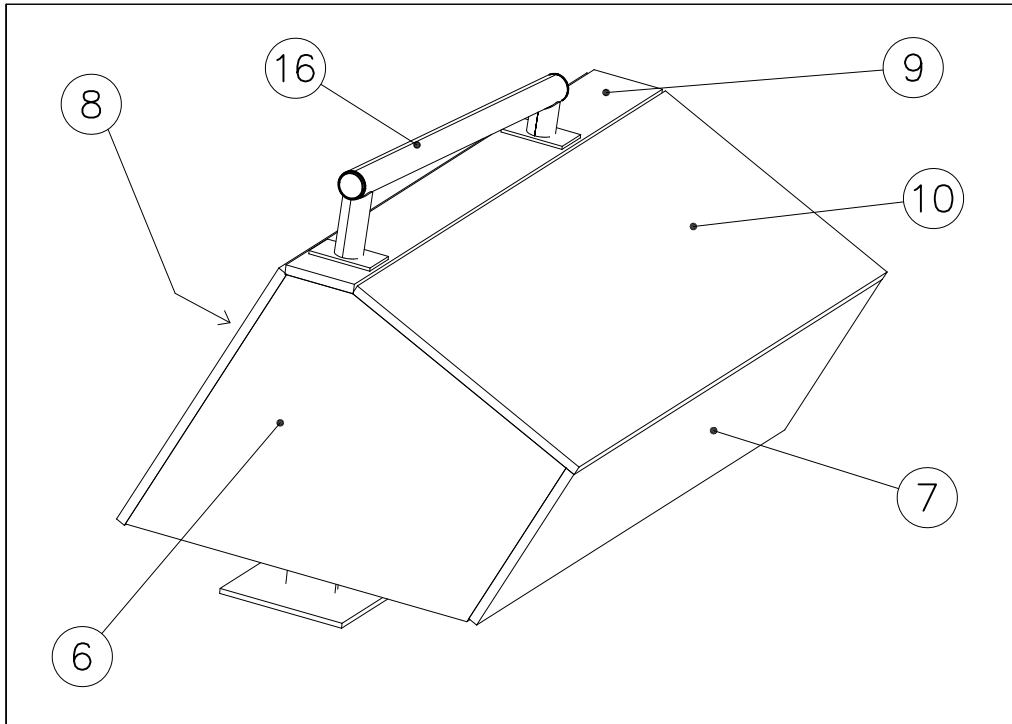
FOOT OPTION FOR DEEP MOUNTING

709379+	
○ 902564	PCS
	2
L 550	



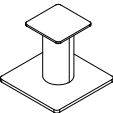

----- Falling Space 10.8 m<sup>2</sup>  
 Max Falling Height 300 mm

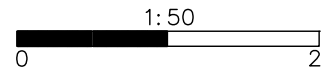
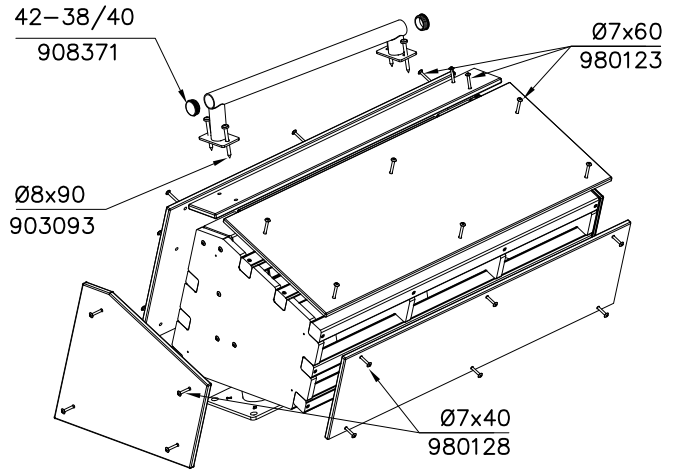
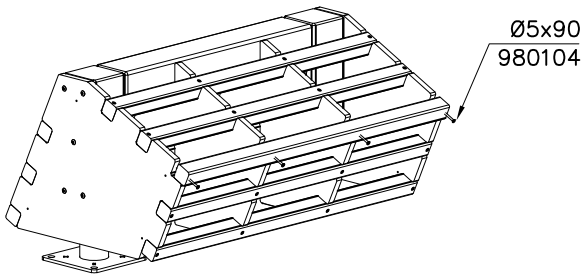
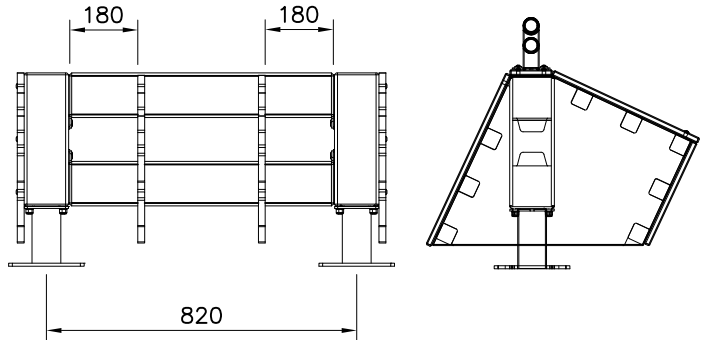




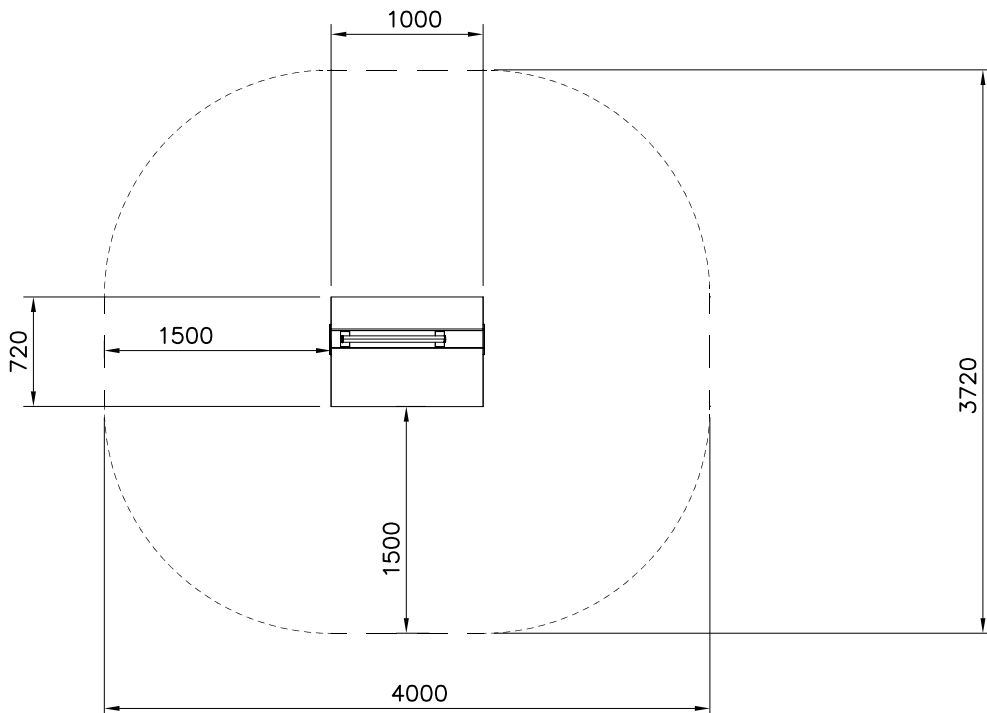
① 702341  90x50	PCS 1	② 708109  118x118x697	PCS 2
③ 708443  118x118x352	PCS 2	④ 708848  18x450x690	PCS 2
⑤ 708849  18x450x690	PCS 2	⑥ 708850  15x450x690	PCS 2
⑦ 708851  15x300x1005	PCS 1	⑧ 708852  15x500x1005	PCS 1
⑨ 708853  15x112x1005	PCS 1	⑩ 708854  15x425x1005	PCS 1
⑪ 708855  45x45x975	PCS 8	⑫ 900240  Ø8x70	PCS 8
⑬ 903093  Ø8x90	PCS 4	⑭ 908371  42-38/40	PCS 2

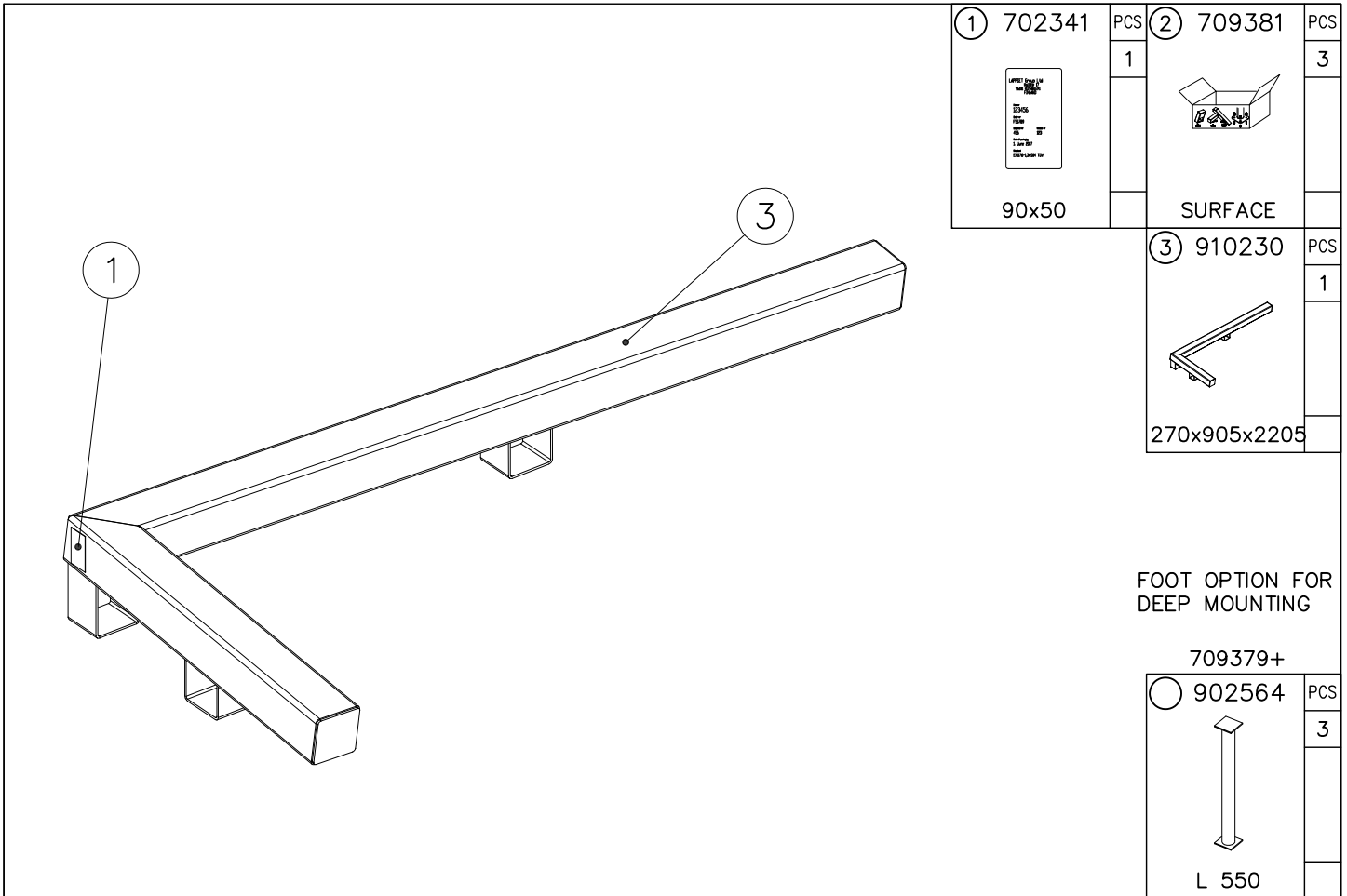
⑮ 908698  3x114x108	PCS 4	⑯ 910056  140x690	PCS 1	⑰ 980100  Ø5x60	PCS 24	⑱ 980104  Ø5x90	PCS 32	⑲ 980123  Ø7x60	PCS 27	⑳ 980128  Ø7x40	PCS 14
---------------------------	----------	-------------------------	----------	-----------------------	-----------	-----------------------	-----------	-----------------------	-----------	-----------------------	-----------

709261+		709262+	
○ 910330	PCS	○ 910567	PCS
SURFACE	2	CONCRETE	2
			
152x200x200		117x117x715	

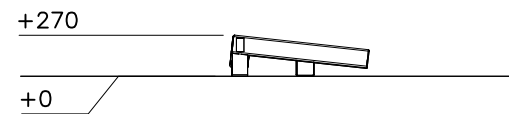
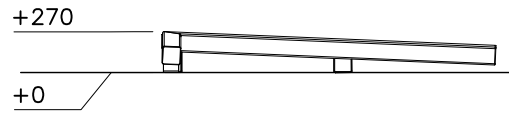
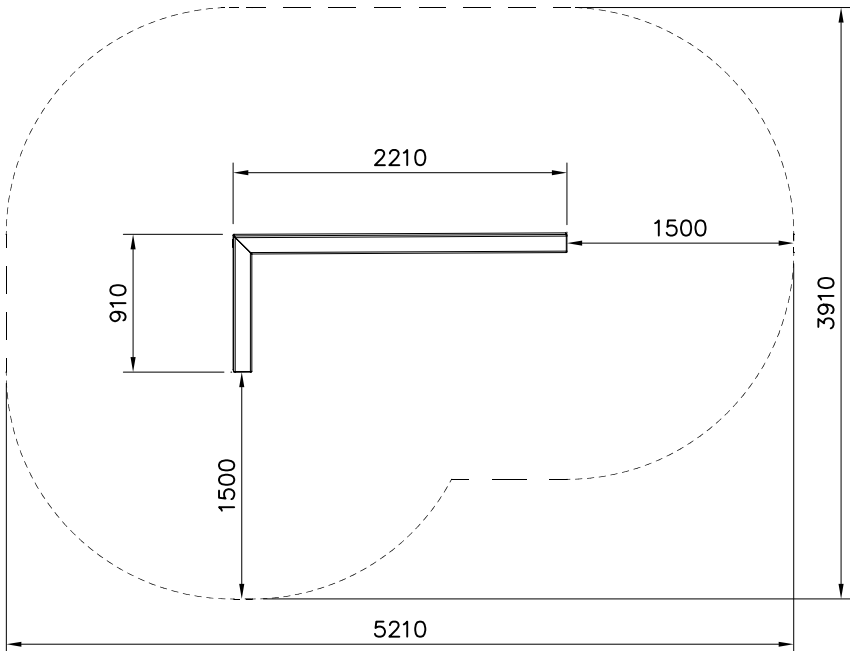
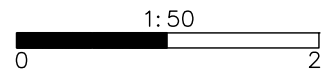


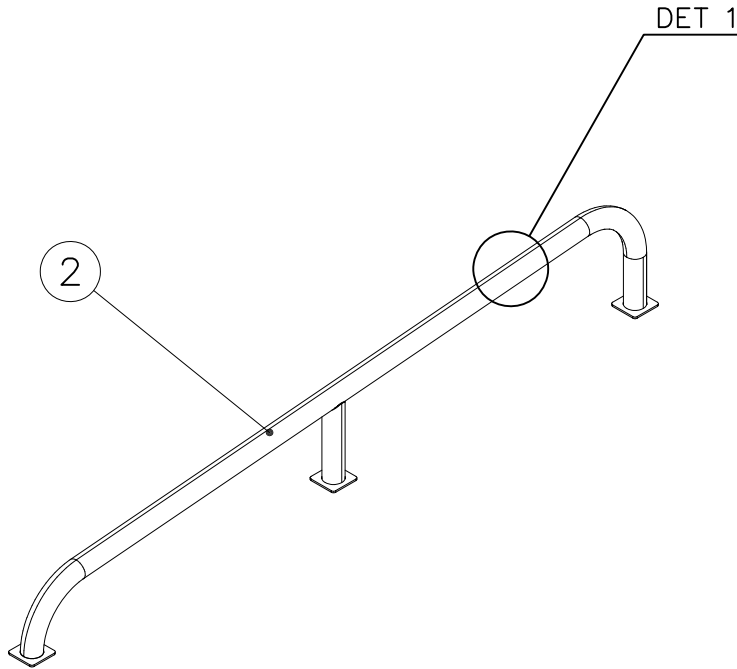
----- Falling Space 13 m<sup>2</sup>  
Max Falling Height 660 mm


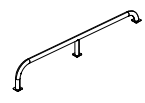
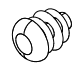




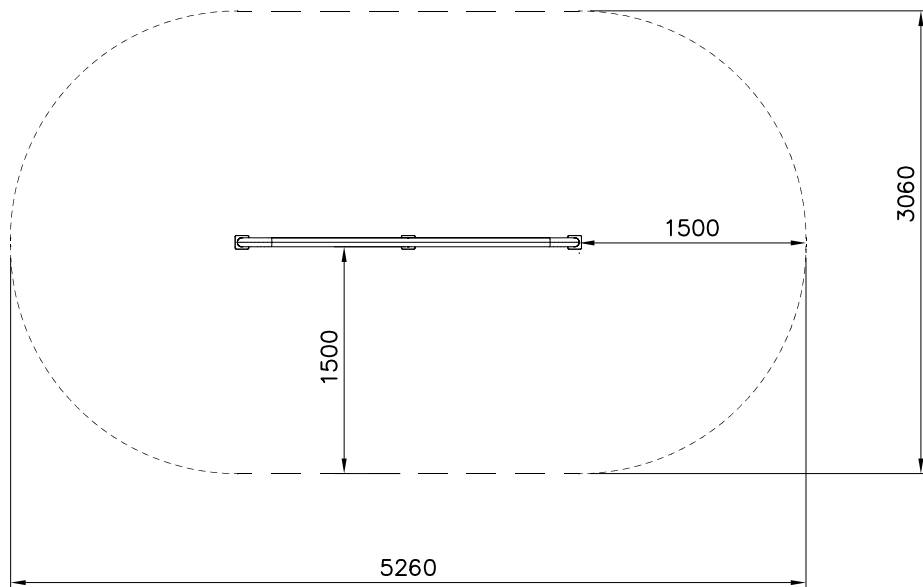
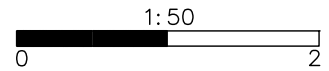
----- Falling Space 16.3 m<sup>2</sup>  
Max Falling Height 270 mm

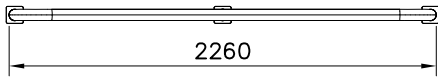
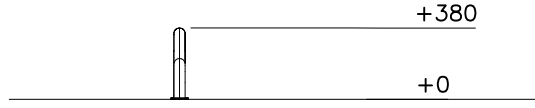
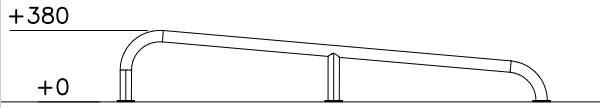




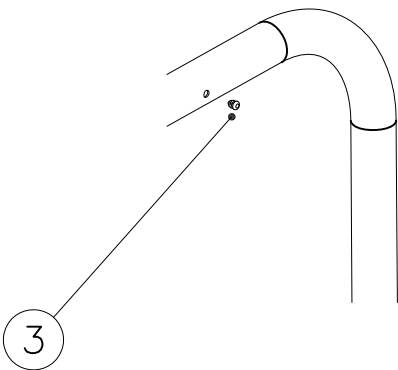
① 702341  90x50	PCS	② 910253  Ø60x376x2290	PCS
	1		1
③ 903533  SRL12	PCS		PCS
	4		

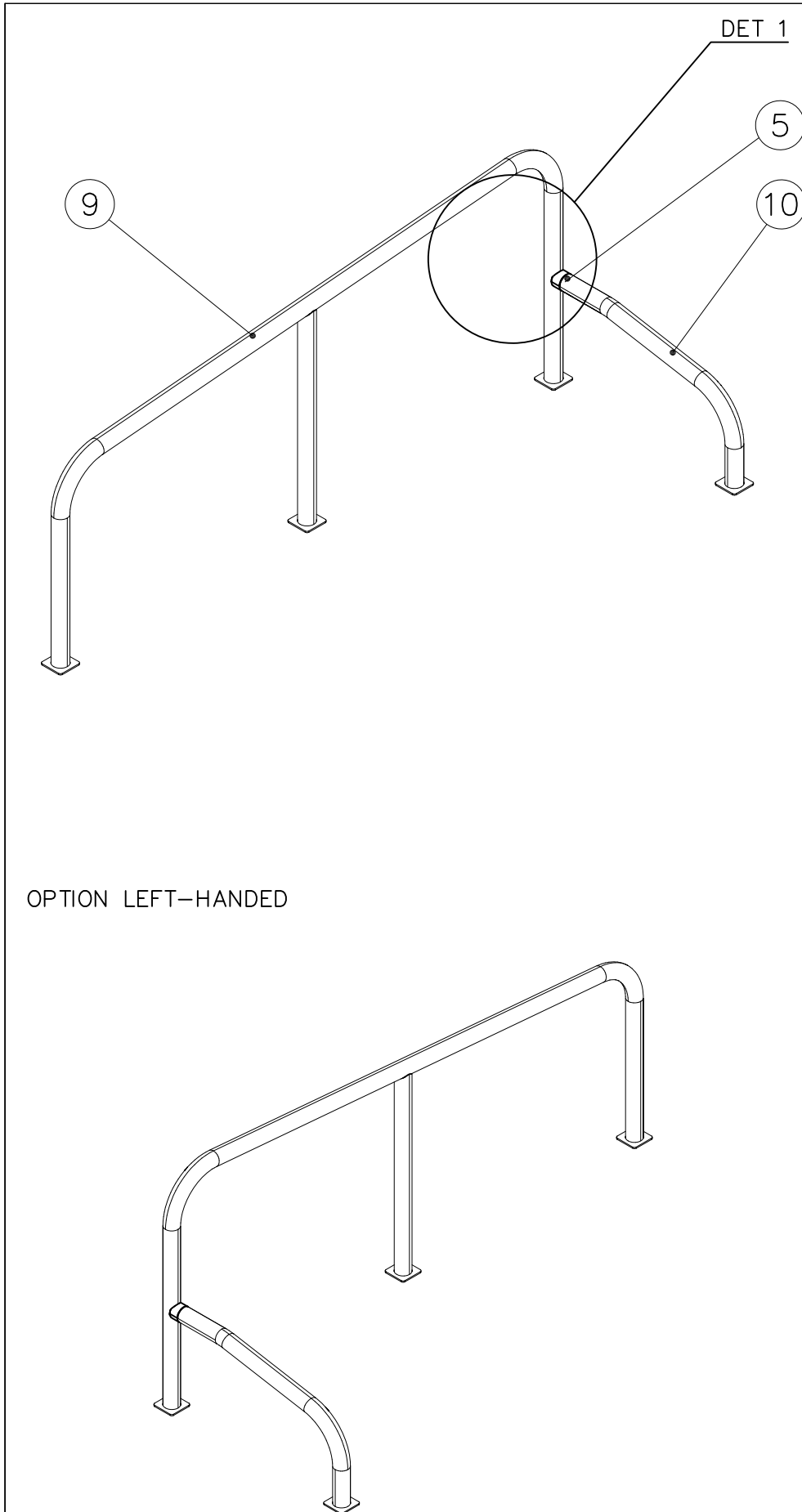
----- Falling Space 14.2 m<sup>2</sup>  
 Max Falling Height 380 mm

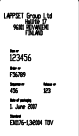


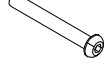
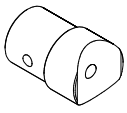



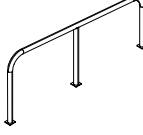
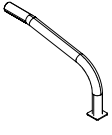





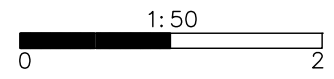
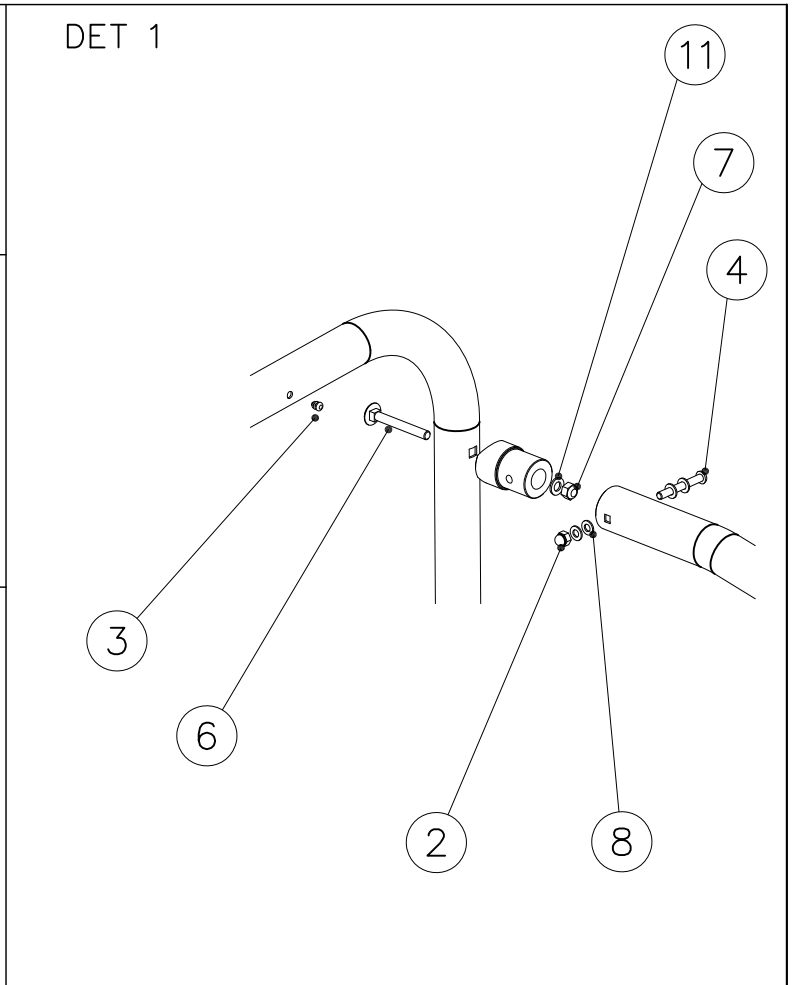
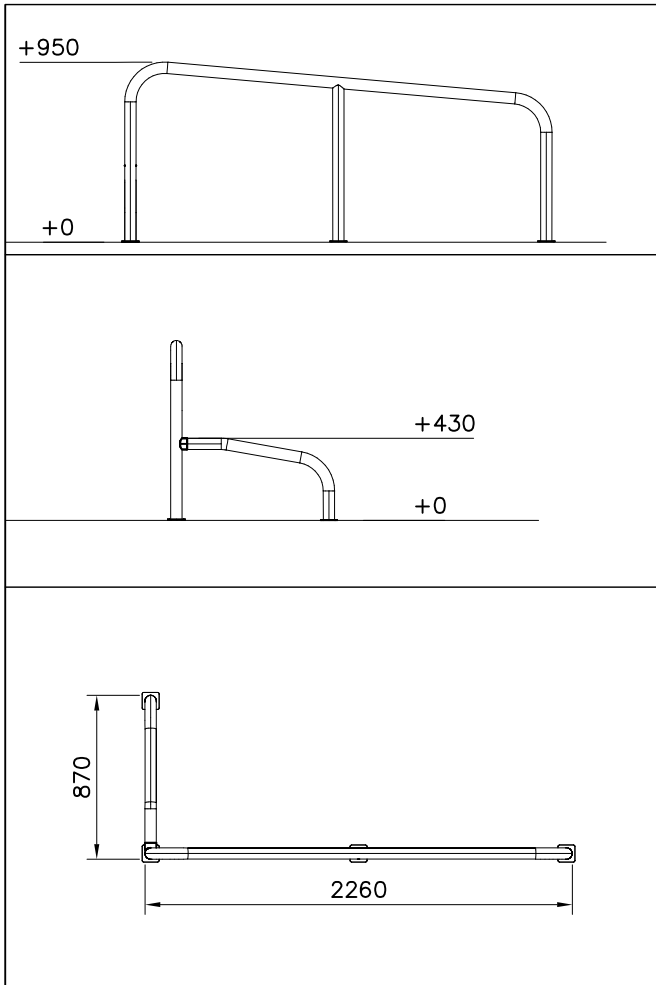
DET 1



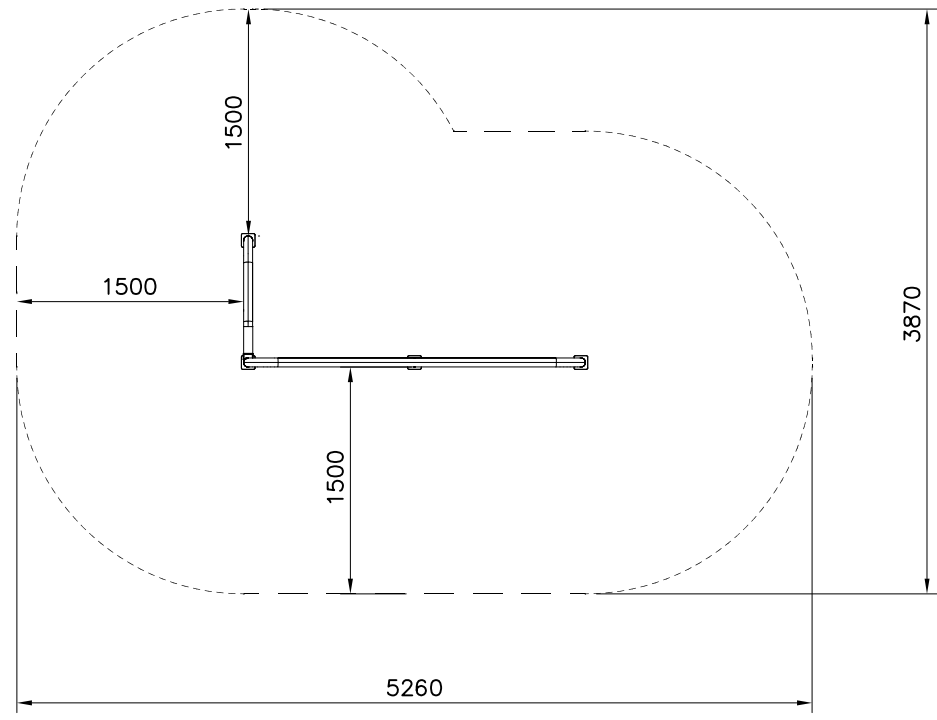


①	702341	PCS	②	900965	PCS
		1			1
	90x50		M10		
③	903533	PCS	④	904133	PCS
		4			1
	SRL12		M10x80		
⑤	908069	PCS	⑥	909111	PCS
		1			1
	Ø60x87.6		M12x100		
⑦	909248	PCS	⑧	909638	PCS
		1			4
	M12		Ø20/10.5		
⑨	910255	PCS	⑩	910262	PCS
		1			1
	Ø60x950x2290		Ø60x435x795		
⑪	980154	PCS			PCS
		1			
	Ø24/13				

OPTION LEFT-HANDED

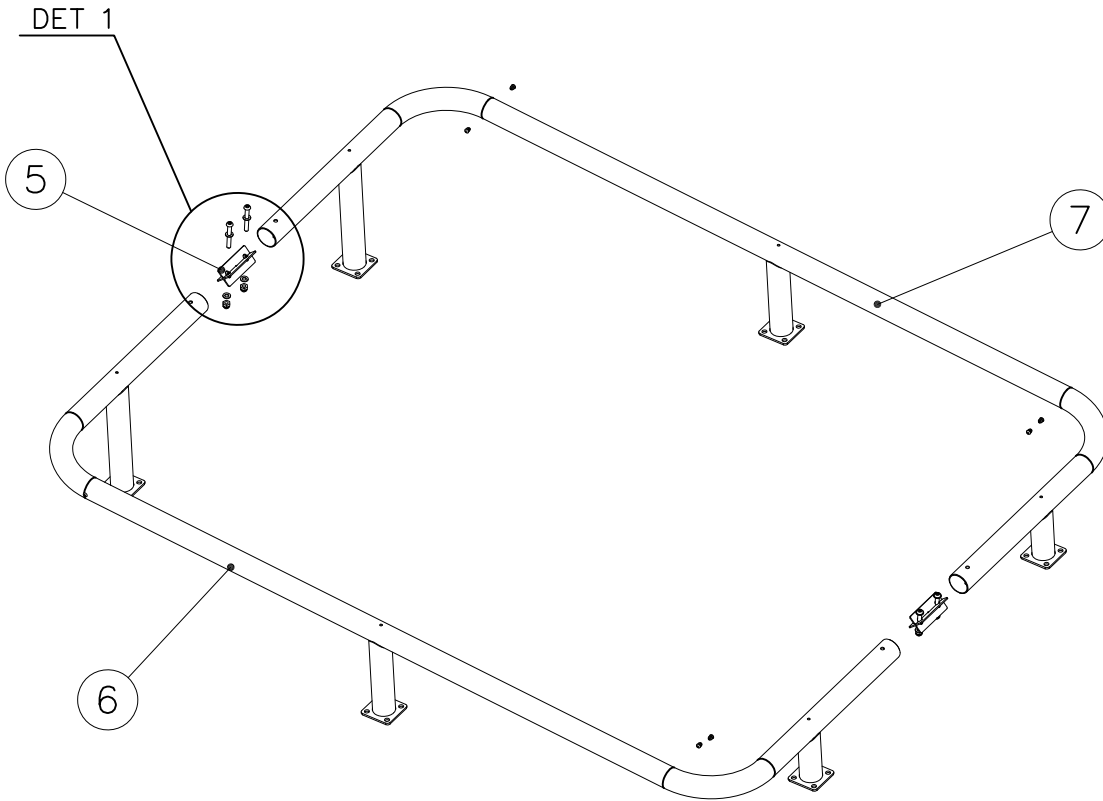


----- Falling Space 16.2 m2  
 Max Falling Height 950 mm

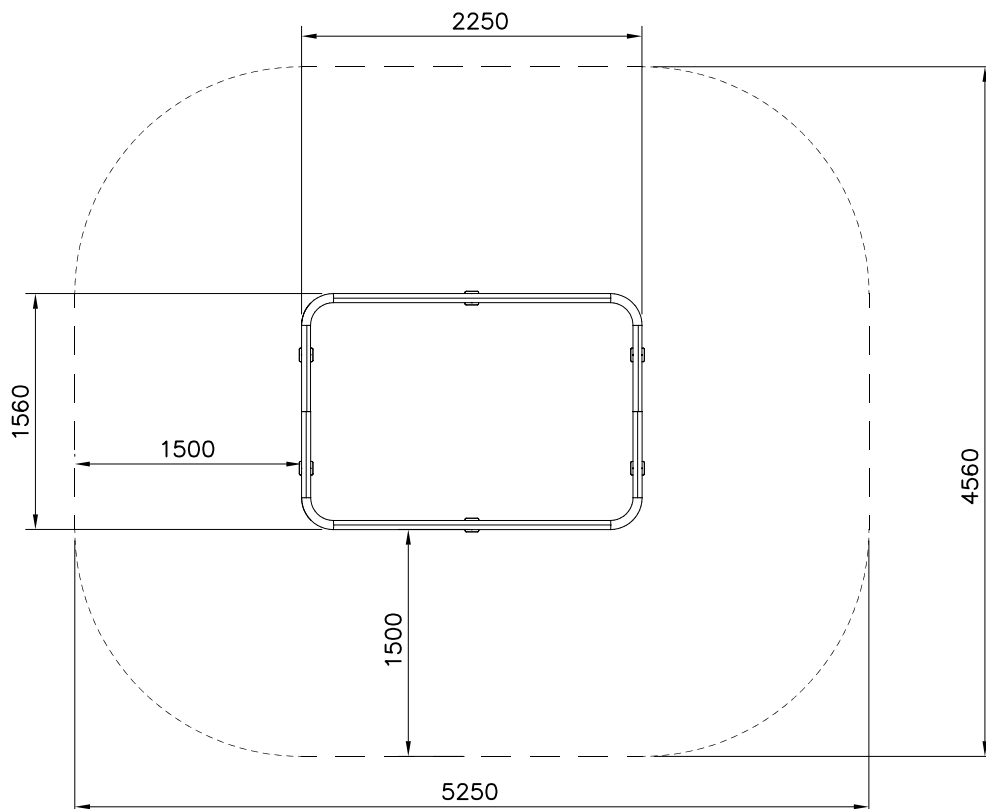
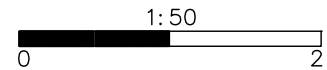


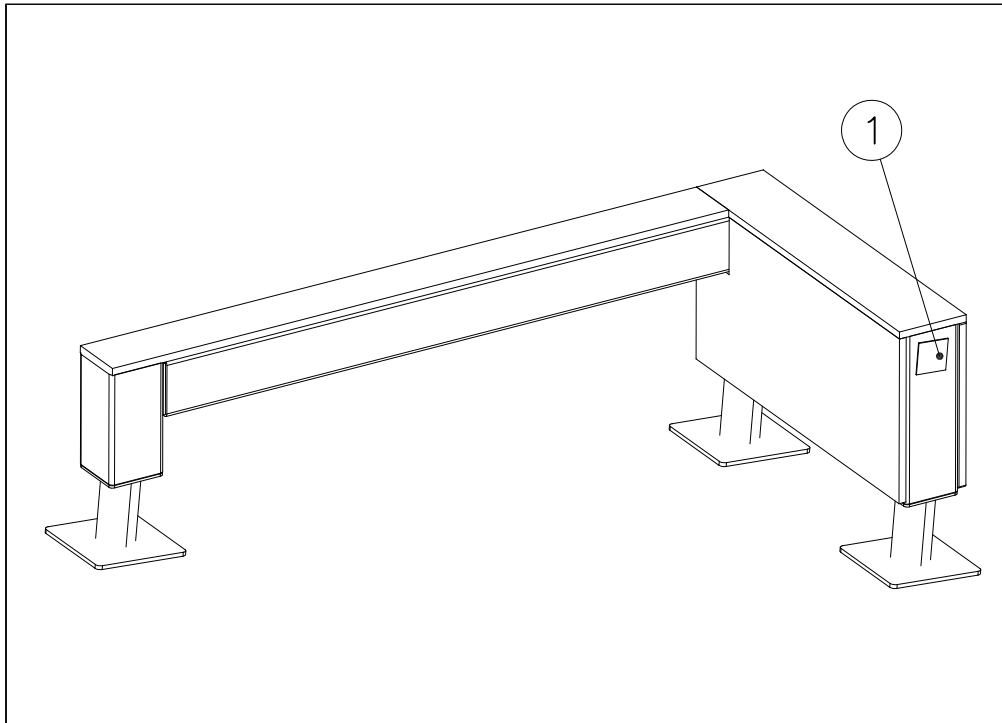



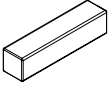







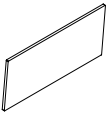
----- Falling Space 22 m2  
Max Falling Height 390 mm

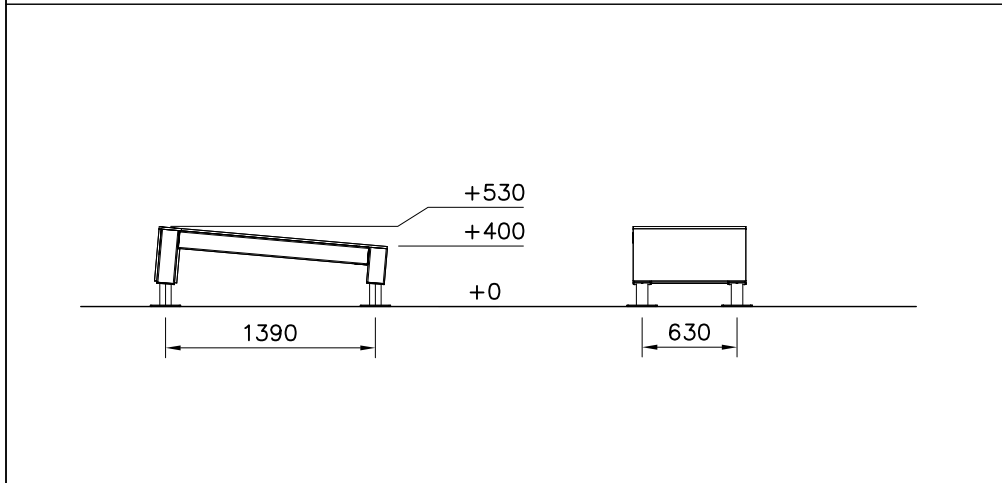


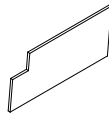




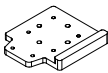
①	702286	PCS	②	707210	PCS
		1			2
	65x65			118x118x503	

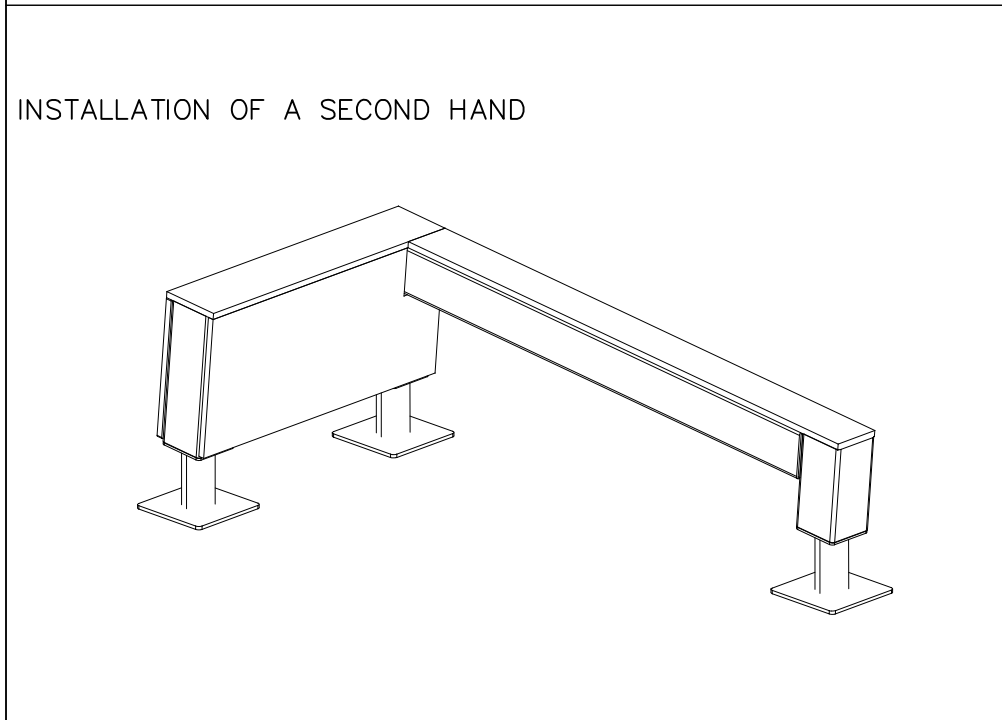
③	707212	PCS	④	708347	PCS
		1			1
	118x118x1254			118x118x231	

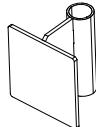

⑤	708443	PCS	⑥	708727	PCS
		2			1
	118x118x352			15x346x745	






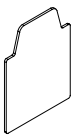
⑦	708730	PCS	⑧	708733	PCS
		1			1
	15x346x745			15x148x745	




⑨	708734	PCS	⑩	708857 JIG	PCS
		1			1
	15x118x1365			20x133x149	



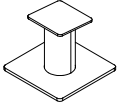

⑪	910266	PCS	⑫	900240	PCS
		2			16
	90x108x118			Ø8x70	

⑬	903093	PCS	⑭	905103	PCS
		4			2
	Ø8x90			PT-28/32-H	

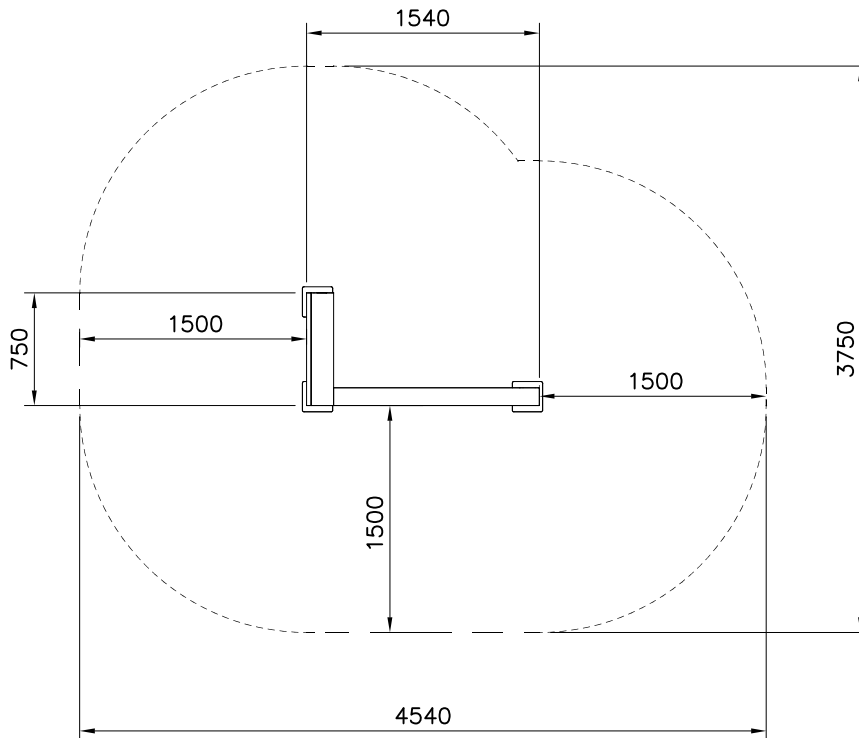
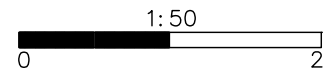
⑮	905112	PCS	⑯	908698	PCS
		4			4
	Ø22			3x114x108	

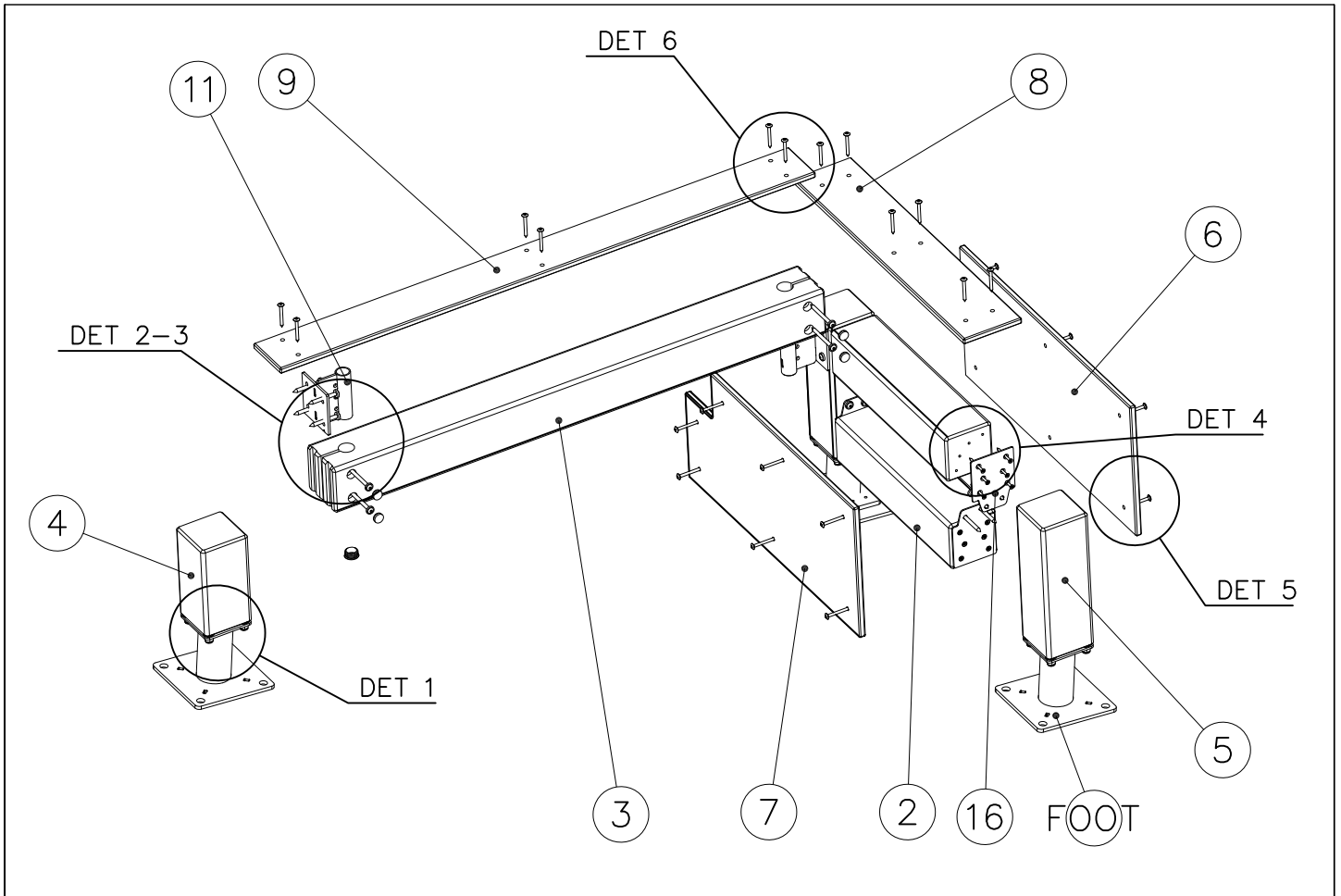
17	980100	PCS	18	980114	PCS	19	980123	PCS
		28			4			25
								
	Ø5x60			Ø4x20			Ø7x60	

FOOT OPTIONS

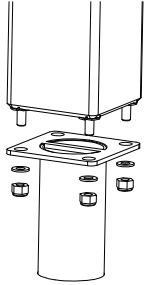
709261+		709262+	
○ 910267	PCS	○ 910567	PCS
SURFACE	3	CONCRETE	3
			
152x200x200		117x117x715	

----- Falling Space 13.8 m<sup>2</sup>  
Max Falling Height 530 mm

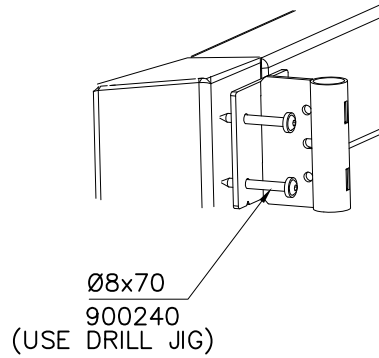




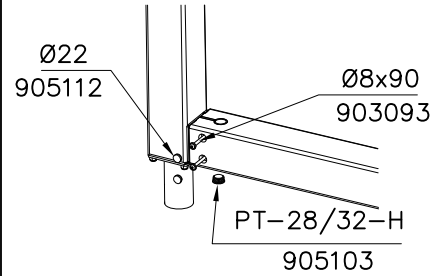
DET 1



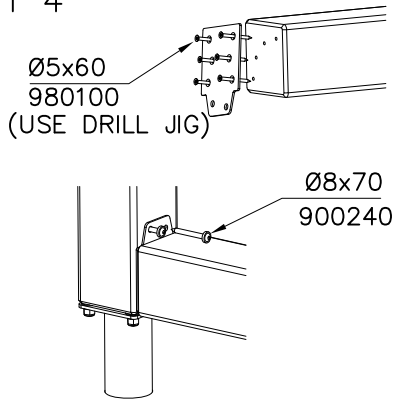
DET 2



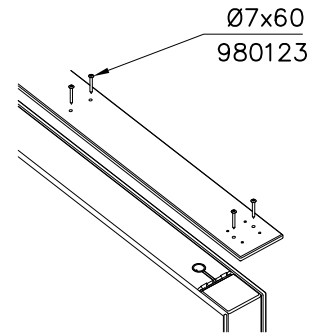
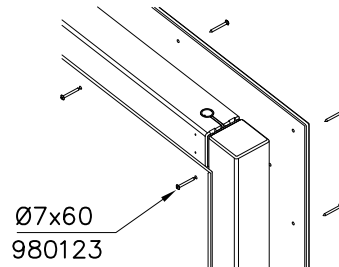
DET 3



DET 4

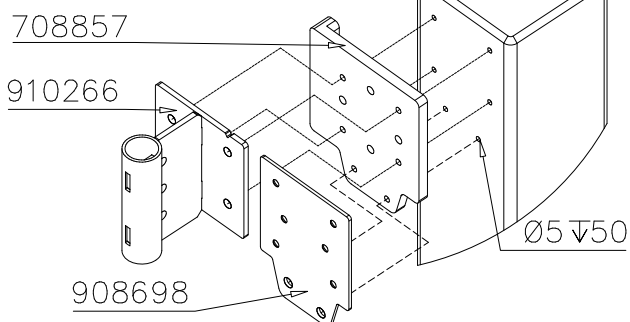


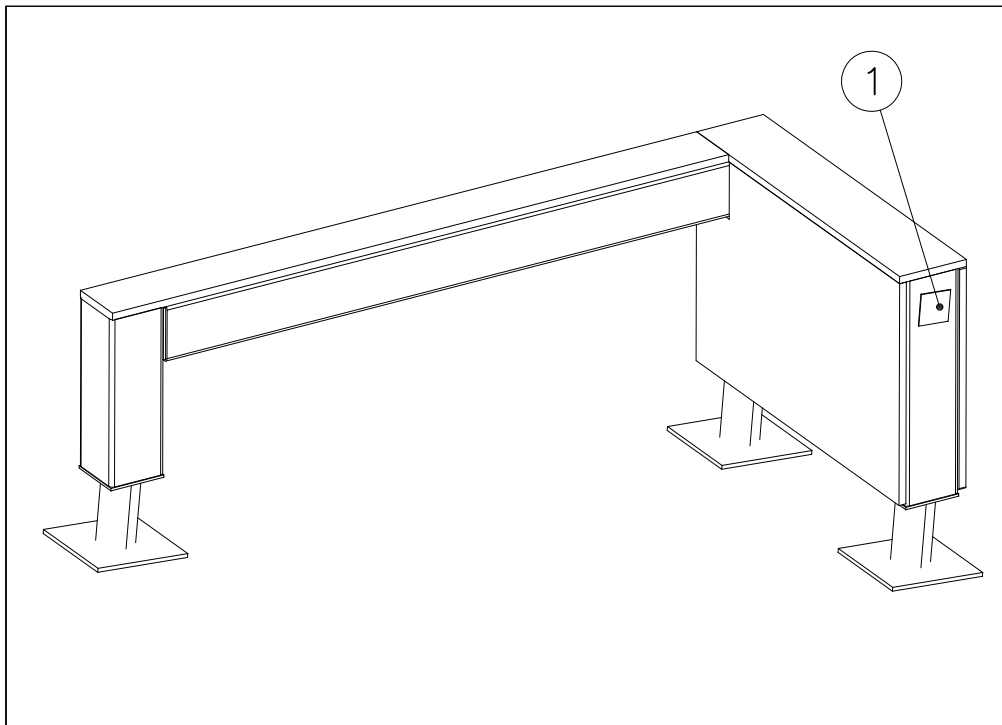
DET 5

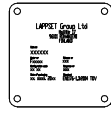
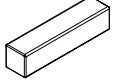



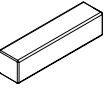
JIG DET A (USE DET 2-4)

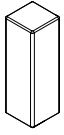
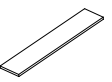
NOTE:  
Use drill jig 708857  
to predrill  $\text{Ø}5\sqrt{50}$   
holes for 910266  
and 908698

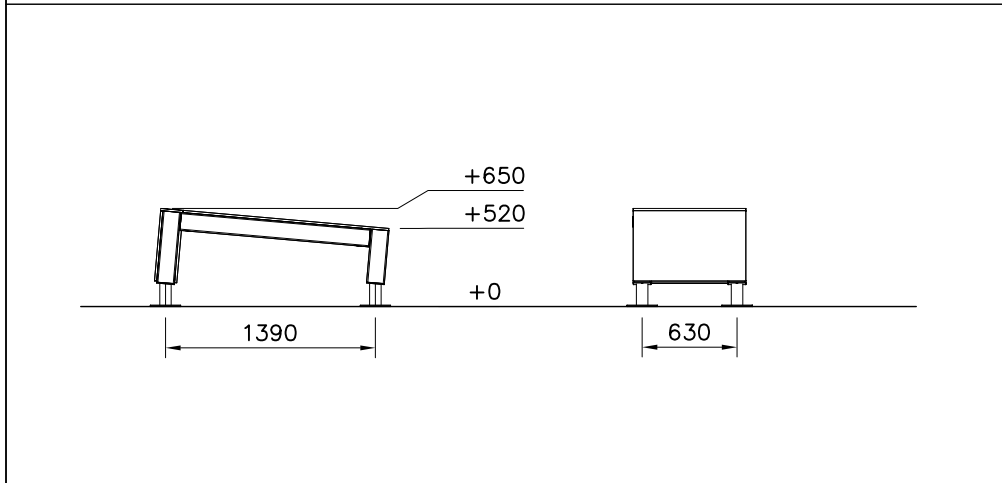



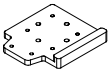


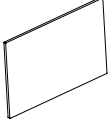

① 702286	PCS	② 707210	PCS
	1		2
65x65		118x118x503	

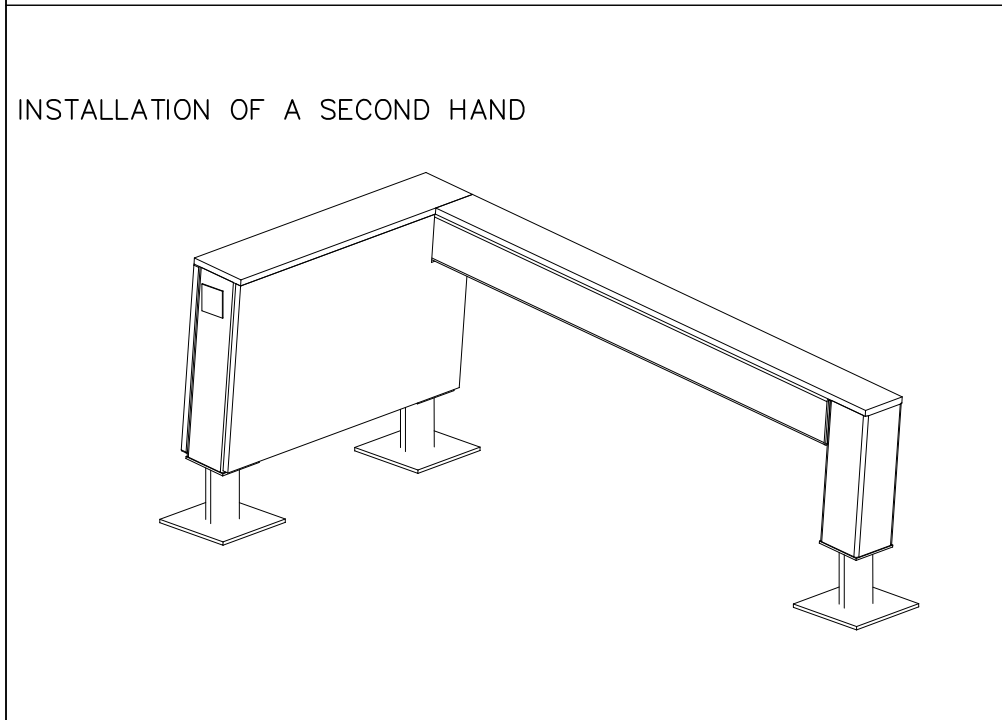
③ 707212	PCS	④ 707889	PCS
	1		2
118x118x1254		118x118x472	



⑤ 708443	PCS	⑥ 708733	PCS
	1		1
118x118x352		15x148x745	


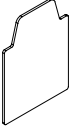


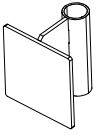
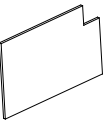
⑦ 708734	PCS	⑧ 708857 JIG	PCS
	1		1
15x118x1365		20x133x149	




⑨ 708731	PCS	⑩ 900240	PCS
	1		16
15x466x745		Ø8x70	



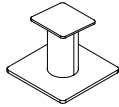
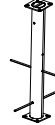
⑪ 903093	PCS	⑫ 905103	PCS
	4		2
Ø8x90		PT-28/32-H	

⑬ 905112	PCS	⑭ 908698	PCS
	4		4
Ø22		3x114x108	

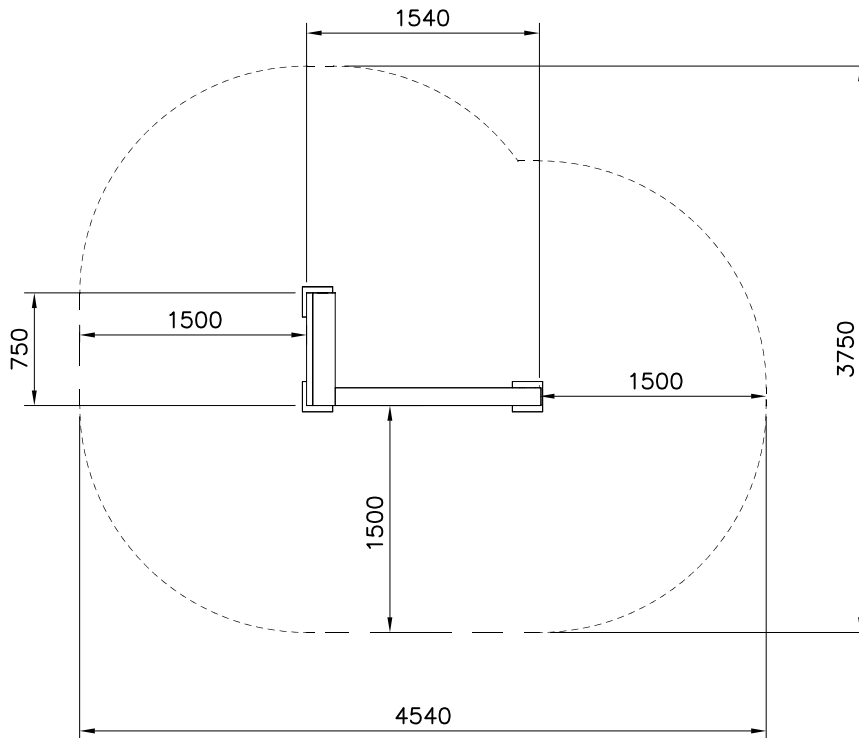
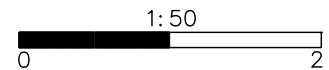
⑮ 910266	PCS	⑯ 708732	PCS
	2		1
90x108x118		15x466x745	

17	980100	PCS	18	980114	PCS	19	980123	PCS
		28			4			25
								
Ø5x60			Ø4x20			Ø7x60		

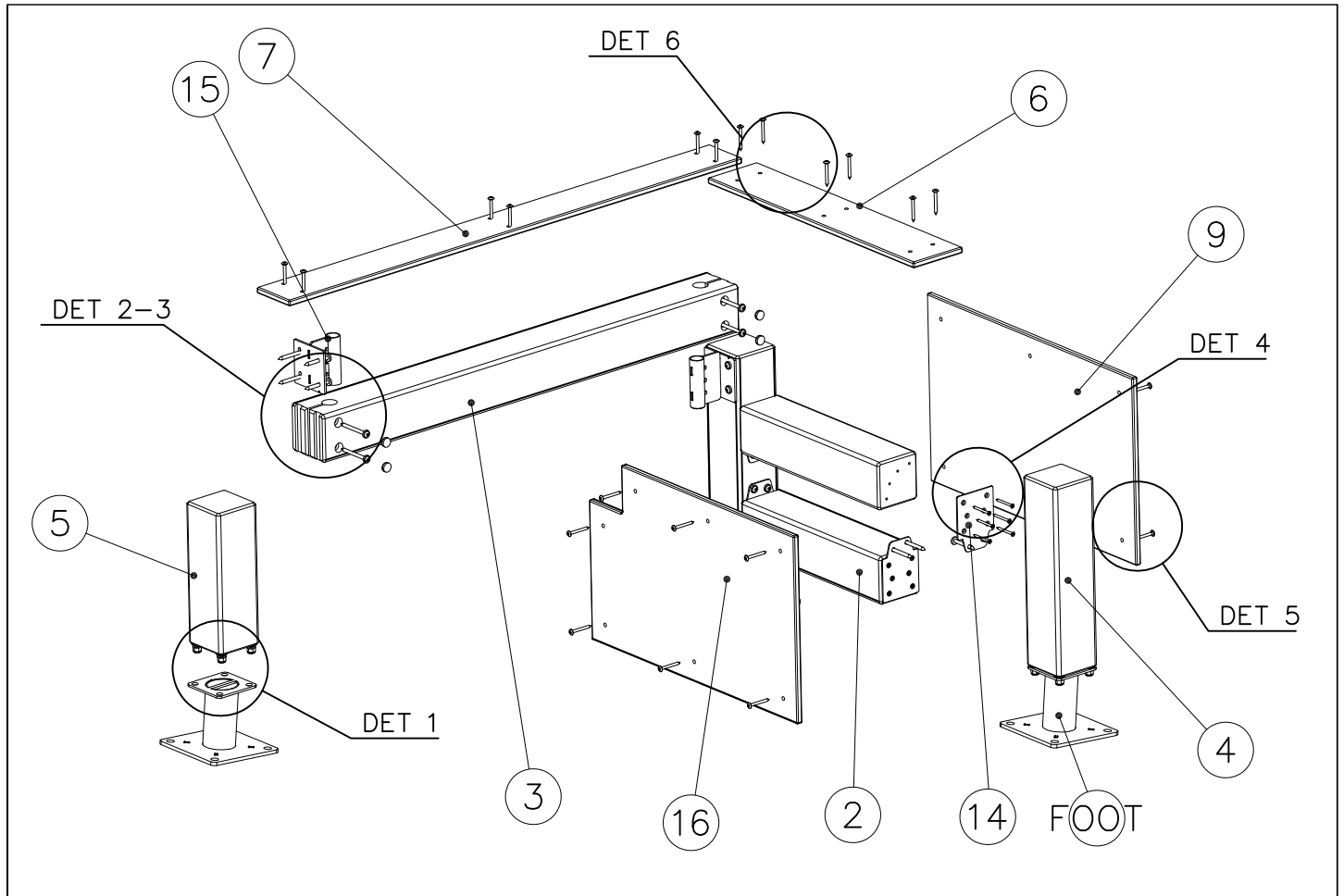
### FOOT OPTIONS

709261+		709262+	
○ 910267	PCS	○ 910567	PCS
SURFACE	3	CONCRETE	3
			
152x200x200		117x117x715	

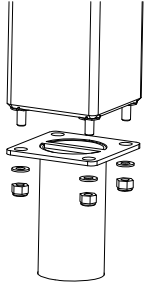
----- Falling Space 13.8 m<sup>2</sup>  
Max Falling Height 650 mm



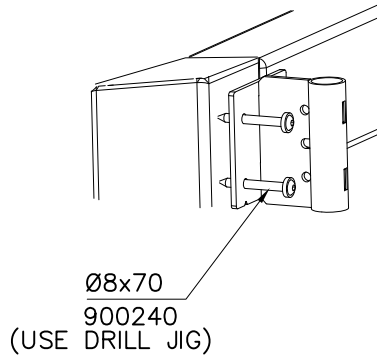




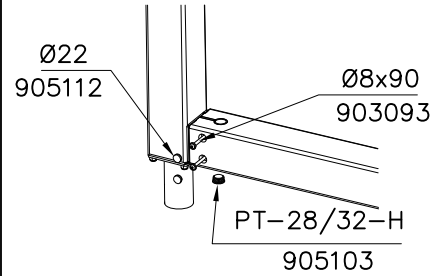
DET 1



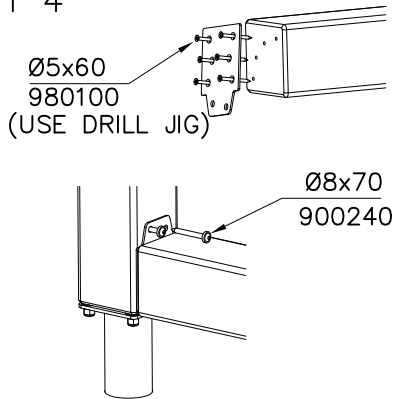
DET 2



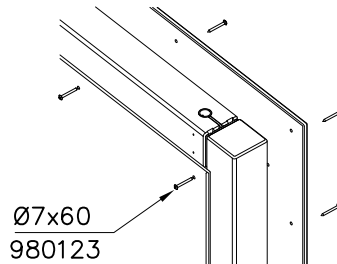
DET 3



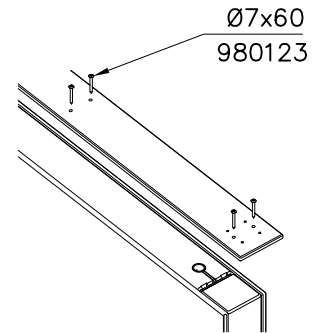
DET 4



DET 5

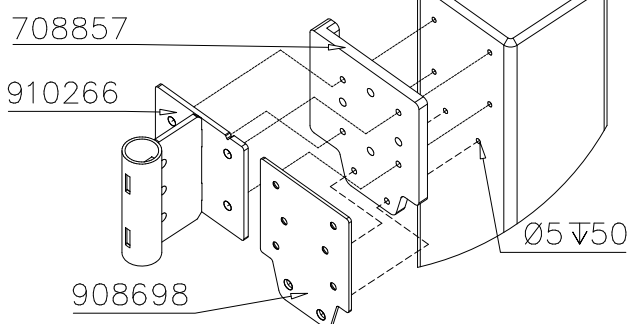


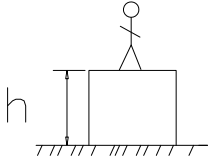
DET 6



JIG DET A (USE DET 2-4)

NOTE:  
Use drill jig 708857  
to predrill  $\text{Ø}5\sqrt{50}$   
holes for 910266  
and 908698





$h < 1600$

Totally hard surfaces or materials with very limited impact attenuating properties.

Case by case risk assessment is needed including e.g. evaluation whether there is forced movement, what is the intended exercise and where will the product be installed.

Materials with significant impact attenuating properties.

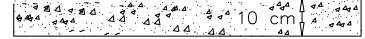
Totally hard surfaces.  
E.g. concrete or asphalt



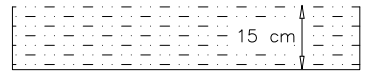
Materials with very limited impact attenuating properties.  
E.g. wood



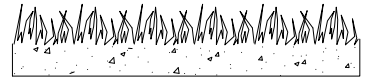
fine gravel 0–8 mm



Unsorted sand/ topsoil



Lawn

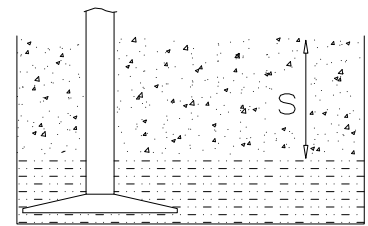


$h = 1600-$

$h < 3000$

Loose fill material

E.g.  
sand/gravel 0,25...8 mm  $D_{60}/D_{10} < 3,0$   
Woodchips 5...30 mm  
bark 20...80 mm



$\frac{S}{30 \text{ cm}}$        $\frac{h}{< 3,0 \text{ m}}$

Synthetic granulates

$\frac{S}{\text{mm}}$	$\frac{h}{\text{m}}$
40 mm	$\sim > 1,6 \dots \sim < 1,8$ m
50 mm	$\sim > 1,8 \dots \sim < 2,25$ m
55 mm	$\sim > 2,25 \dots \sim < 2,4$ m
60 mm	$\sim > 2,4 \dots \sim < 2,55$ m
70 mm	$\sim > 2,55 \dots \sim < 3,0$ m

Note. For accurate values, see manufacturer's instructions.

