

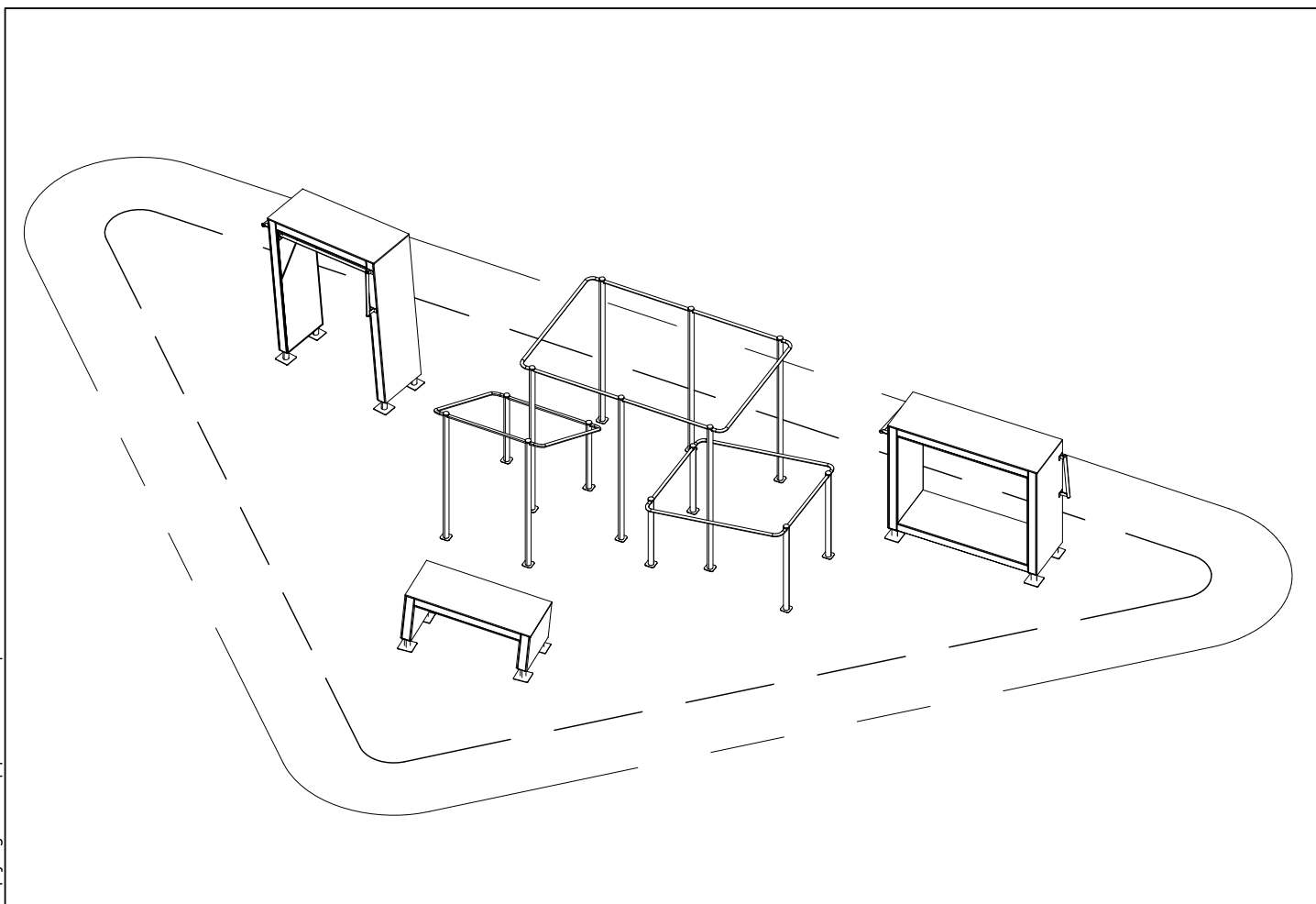
LAPPSET®

DASH PARKOUR

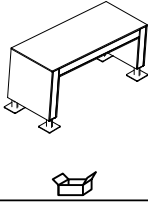
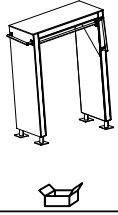
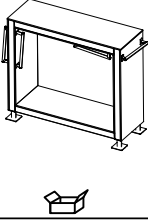
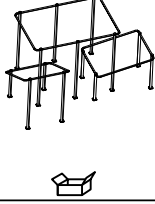
ASENNUSOHJE
MONTERINGSANSVISNING
INSTALLATION INSTRUCTION
AUFBAUANLEITUNG
NOTICE D'INSTALLATION

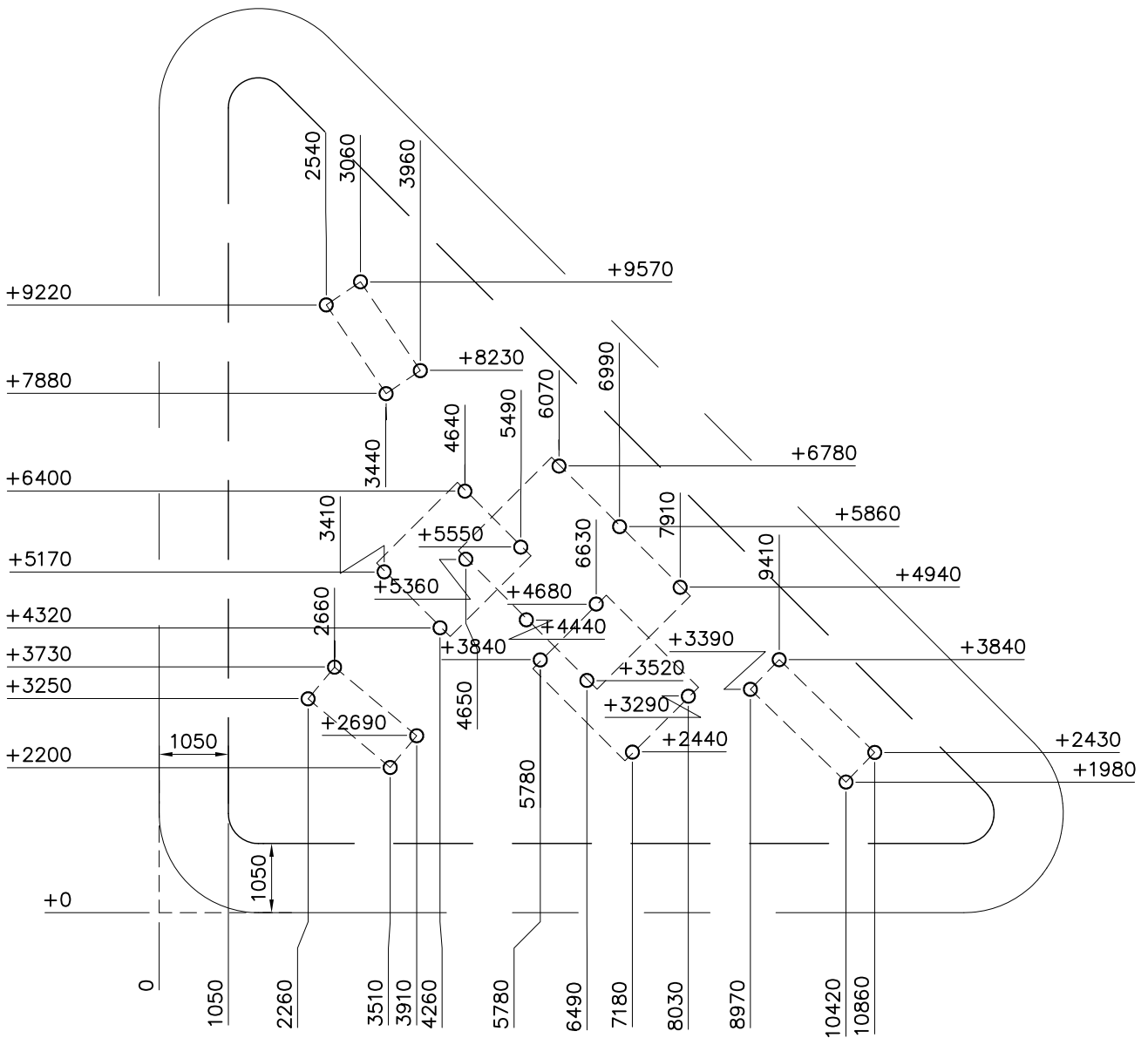
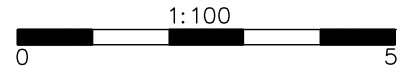
DATE: 17.12.2019

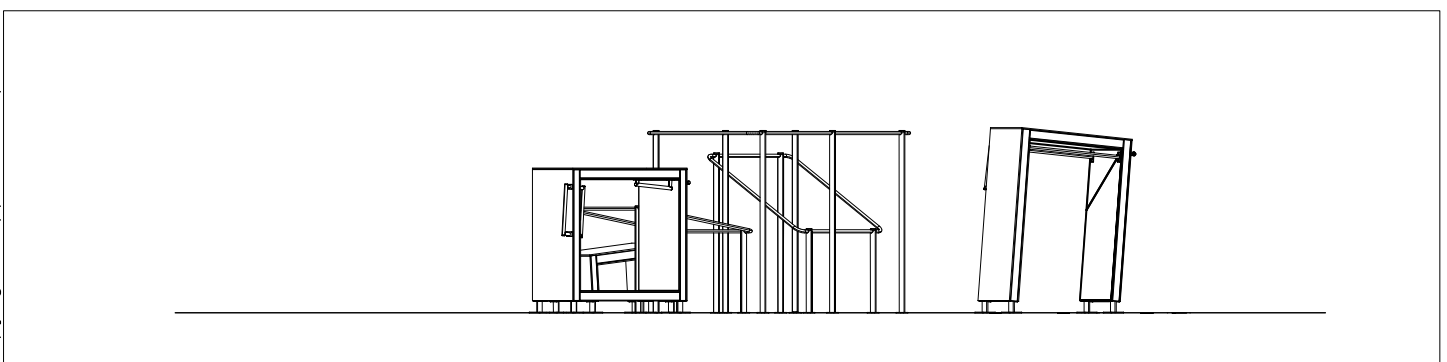
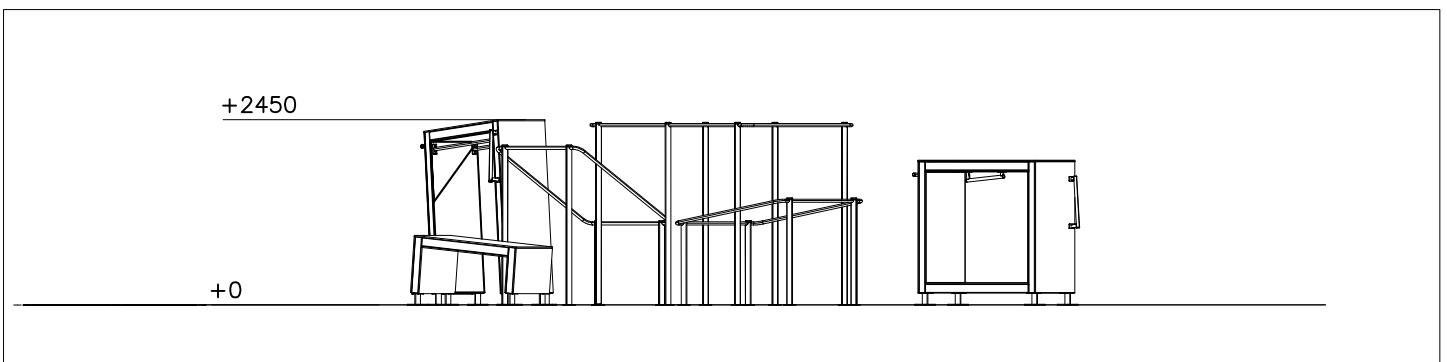
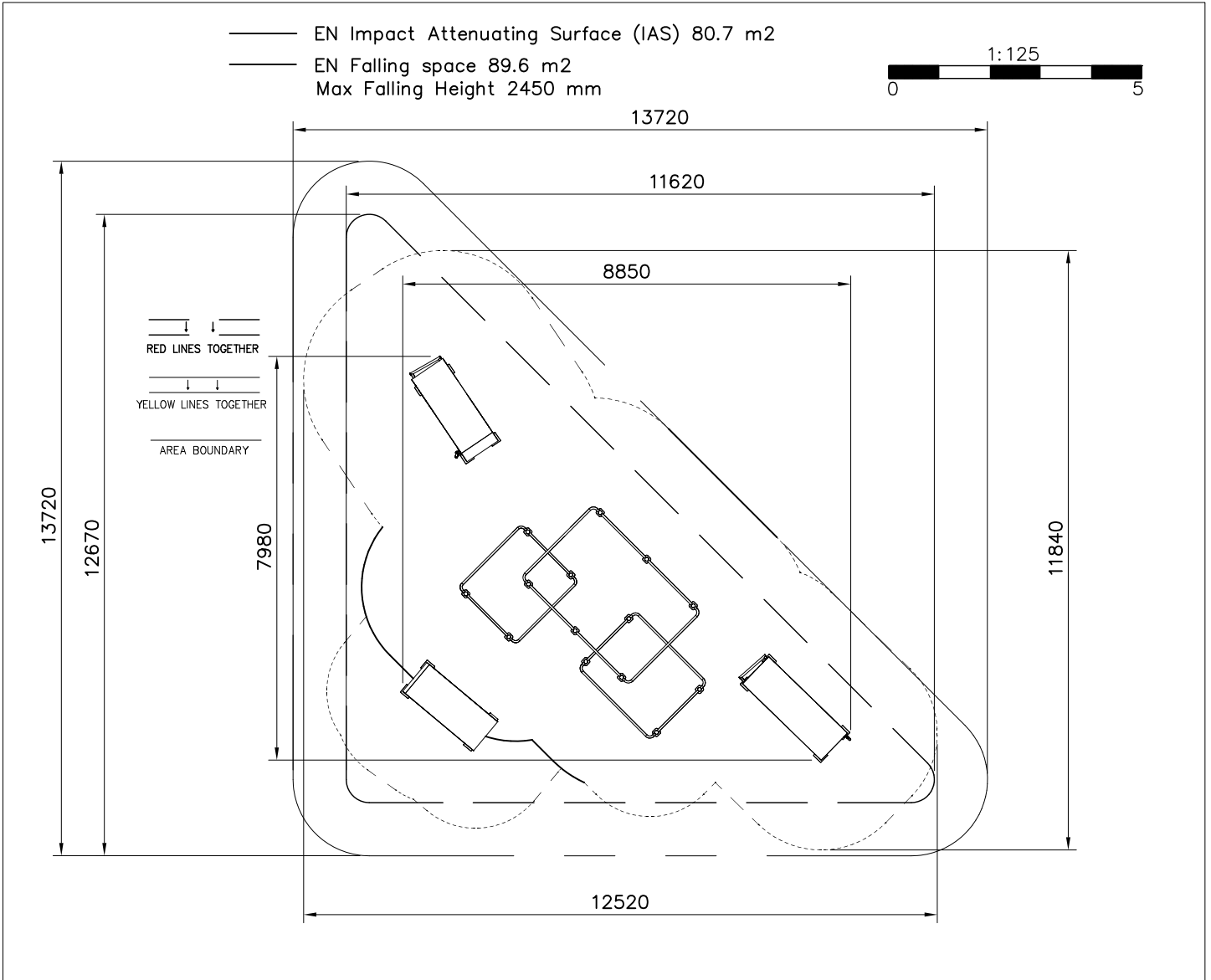
081767M

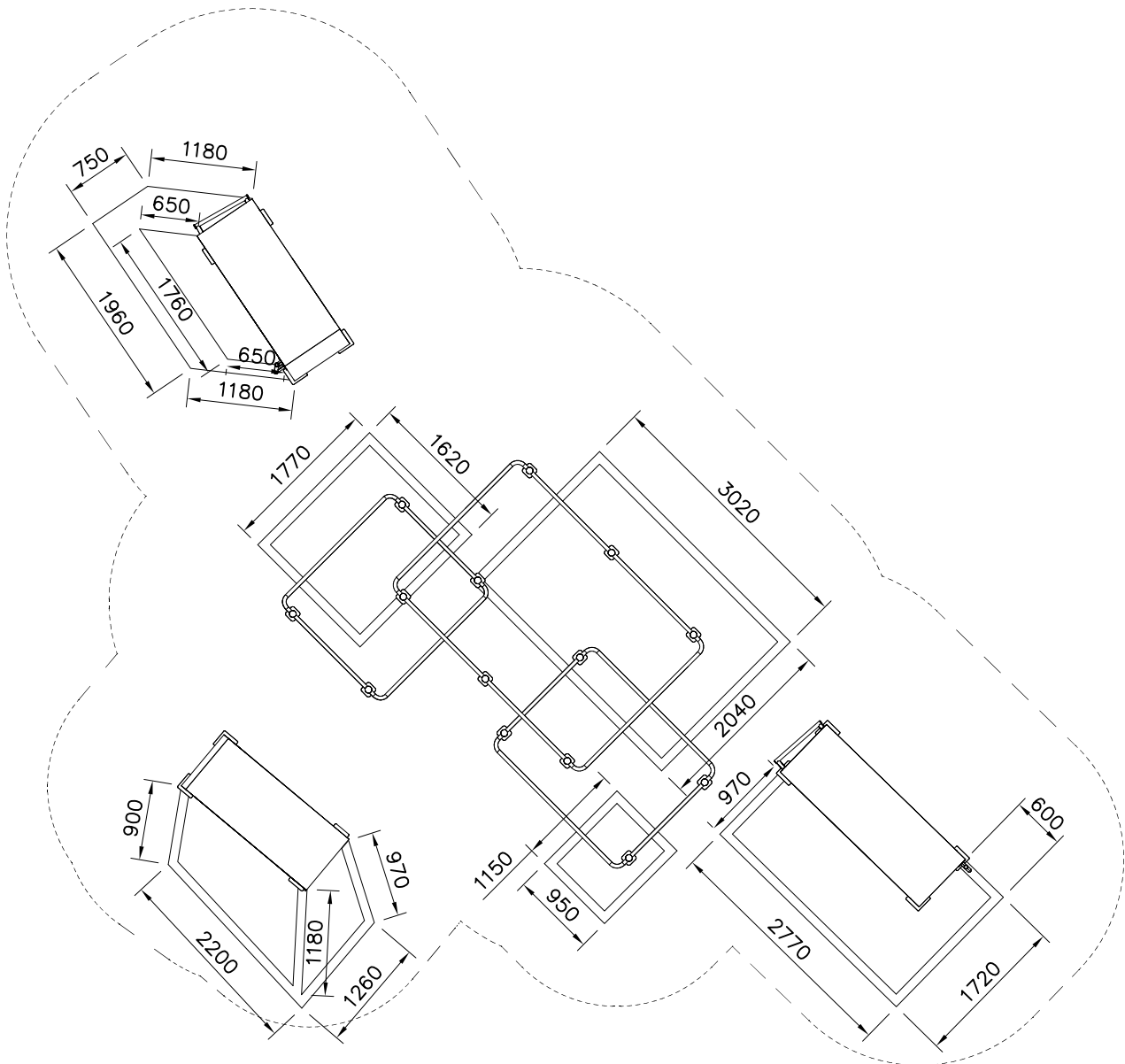
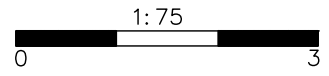


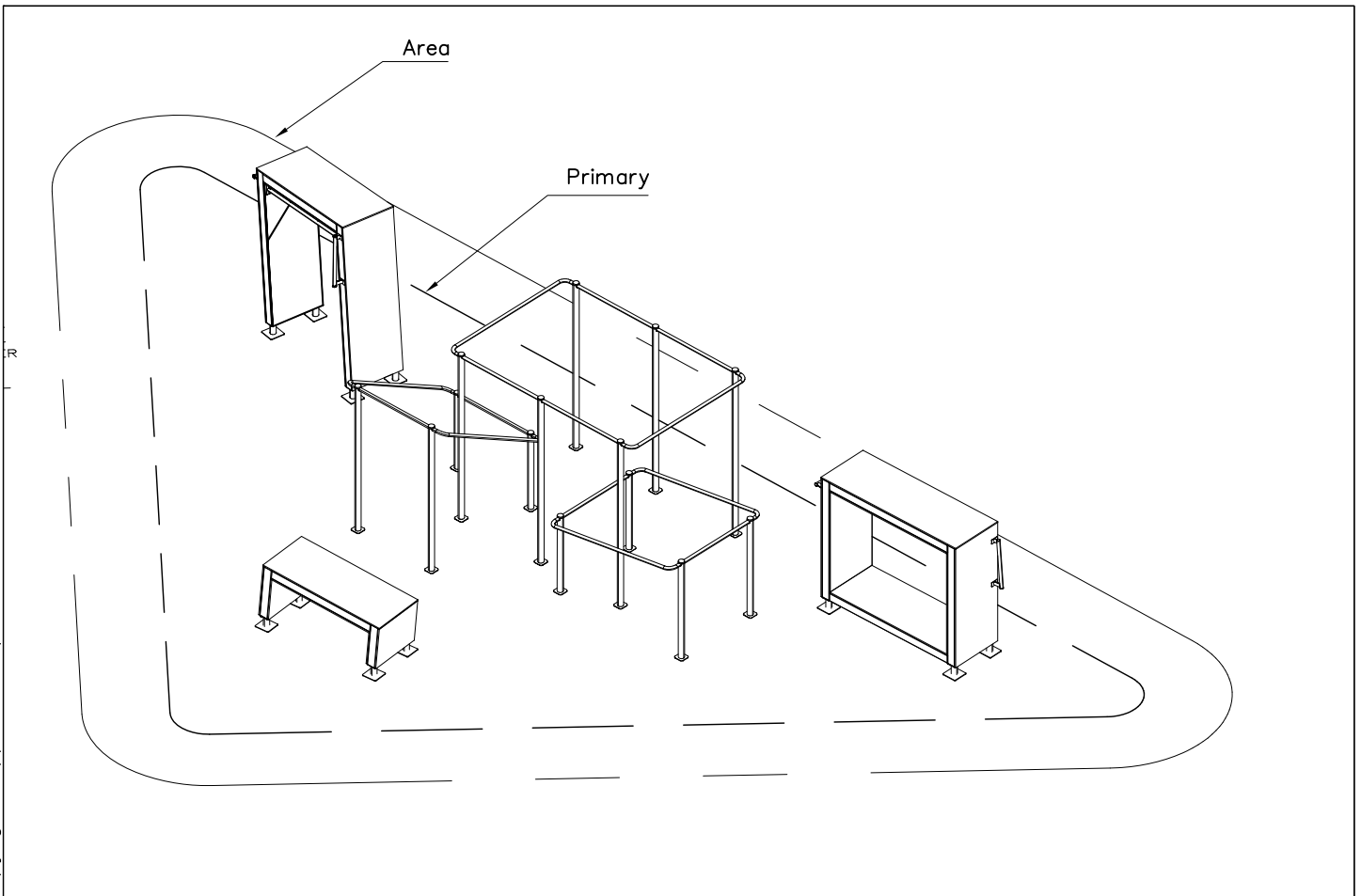
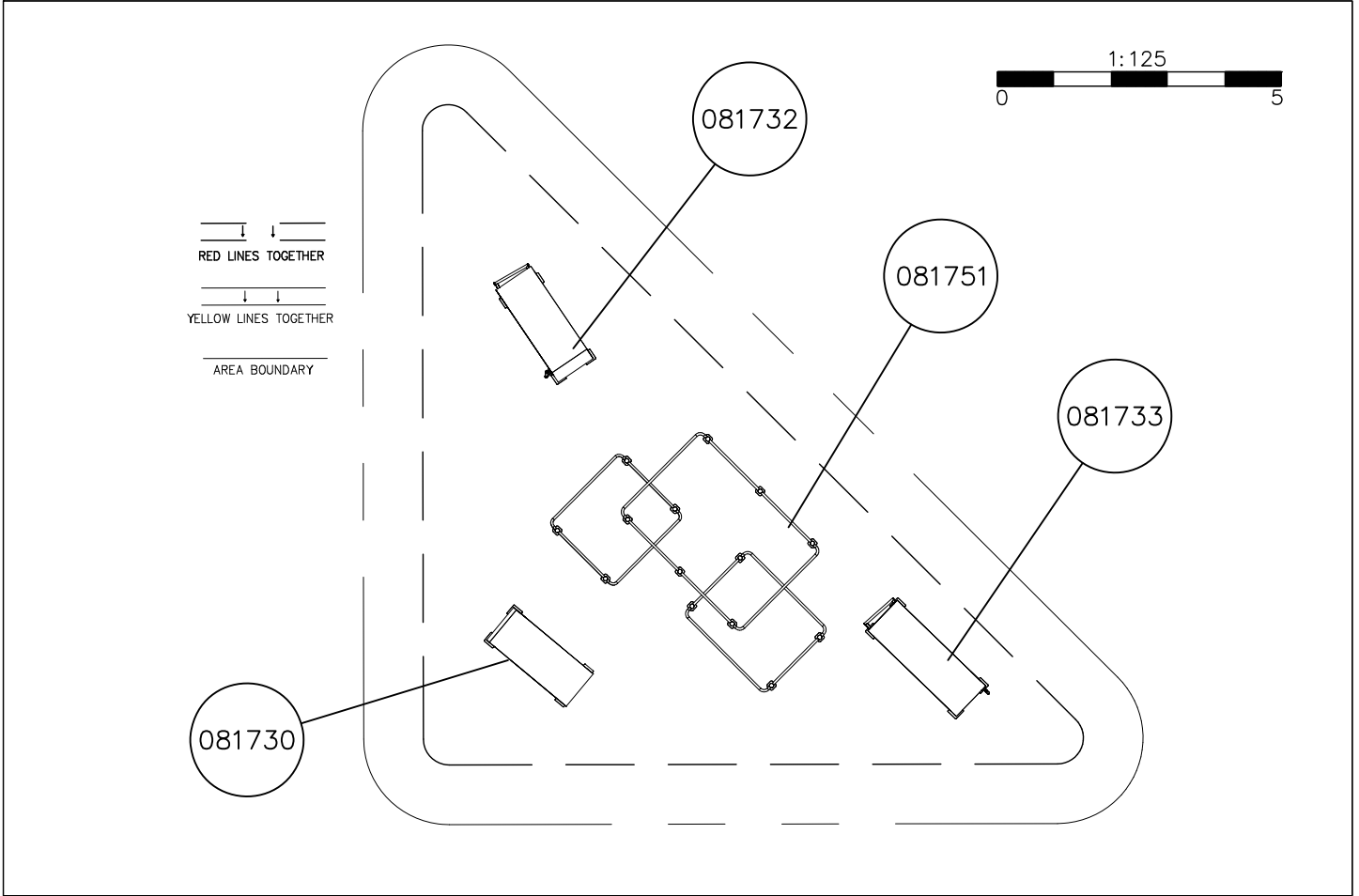
DATE: 17.12.2019

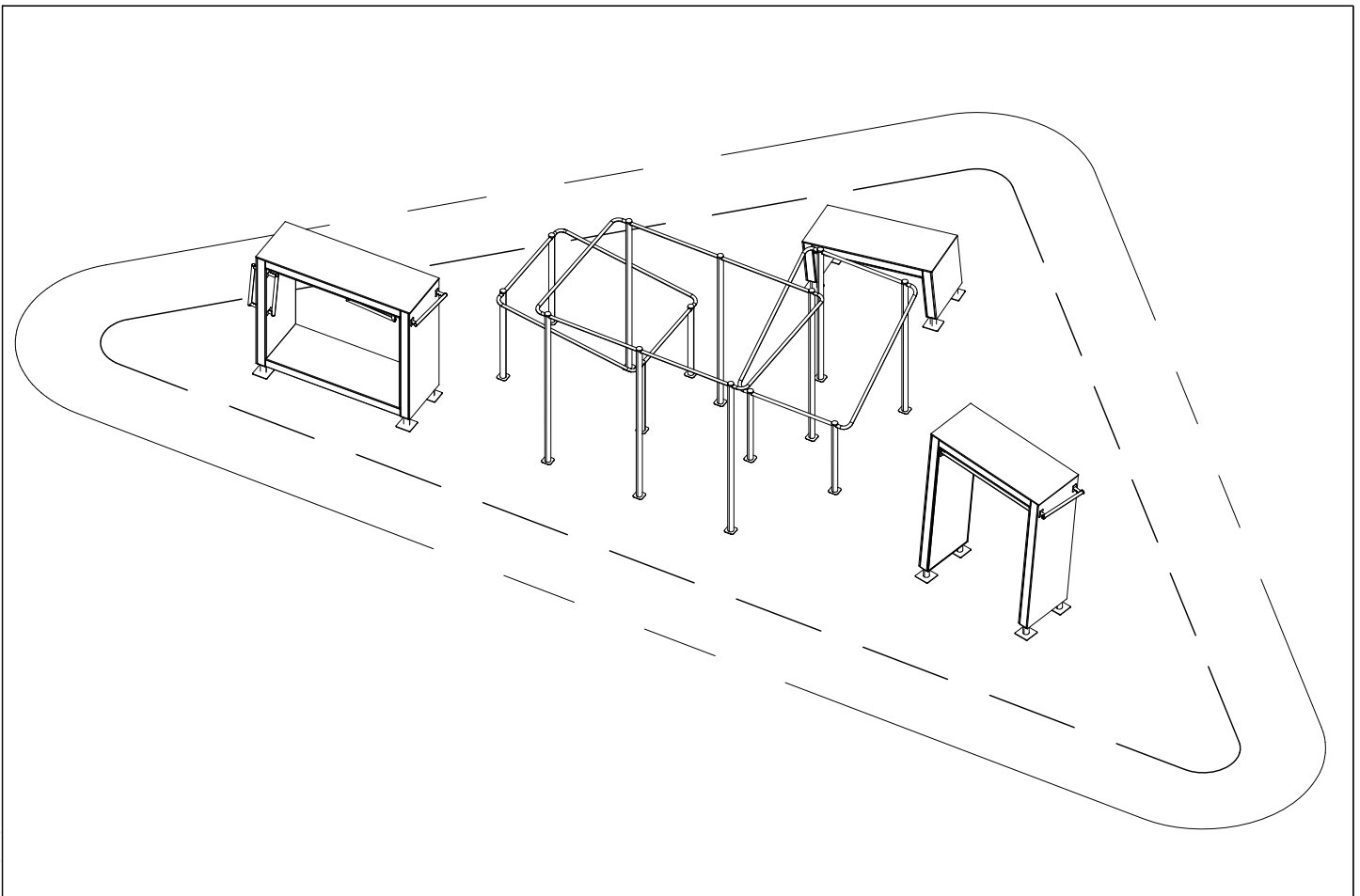
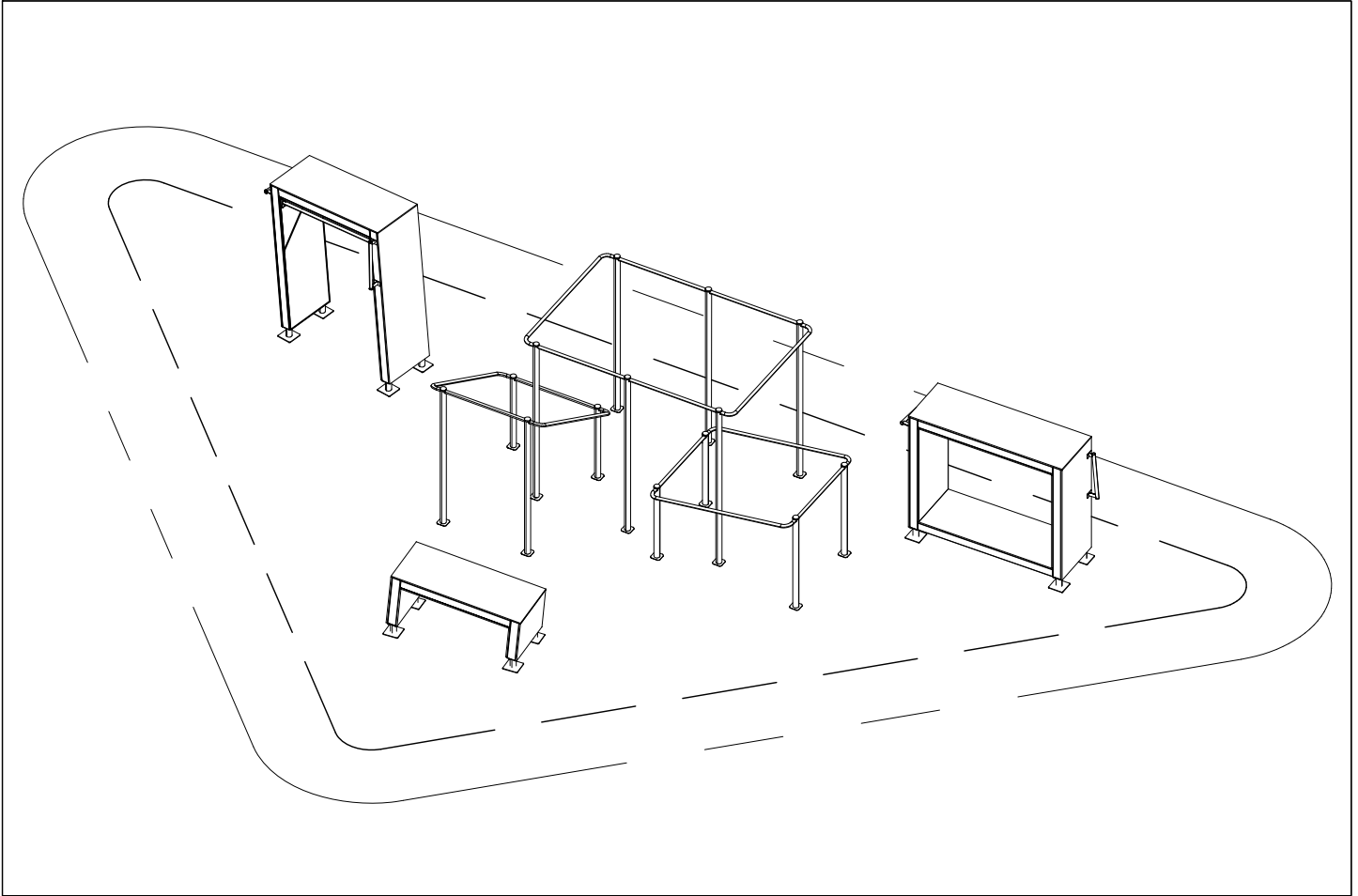
081730M	PCS 1	081732M	PCS 1	081733M	PCS 1	081751M	PCS 1		PCS		PCS
											
	PCS		PCS		PCS		PCS		PCS		PCS
	PCS		PCS		PCS		PCS		PCS		PCS
	PCS		PCS		PCS		PCS		PCS		PCS
	PCS		PCS		PCS		PCS		PCS		PCS
	PCS		PCS		PCS		PCS		PCS		PCS

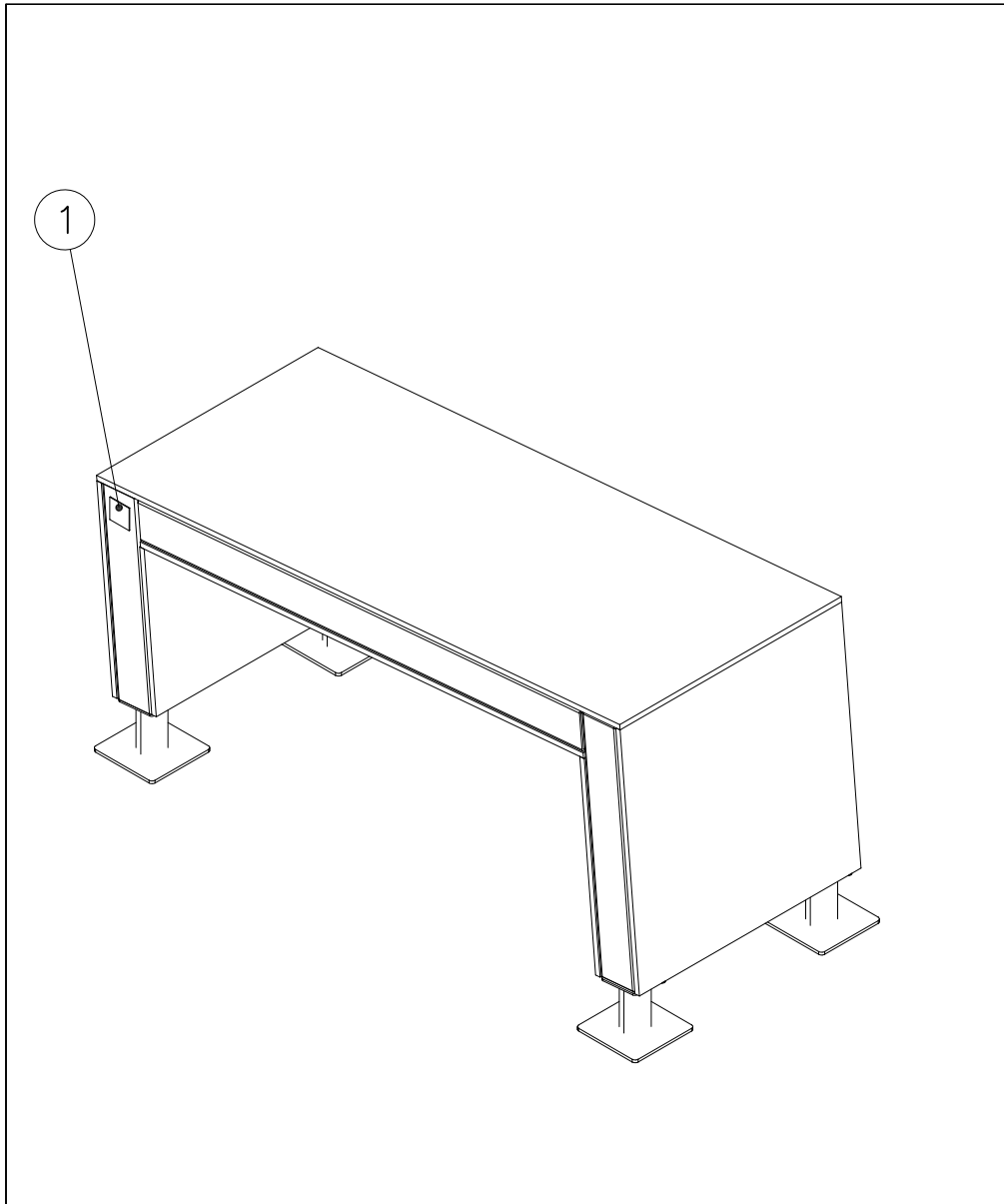



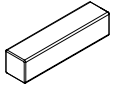

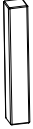

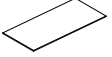
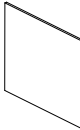

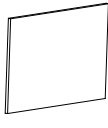
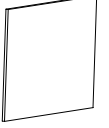
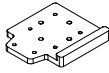

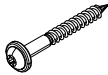

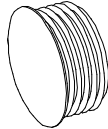
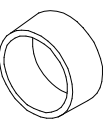


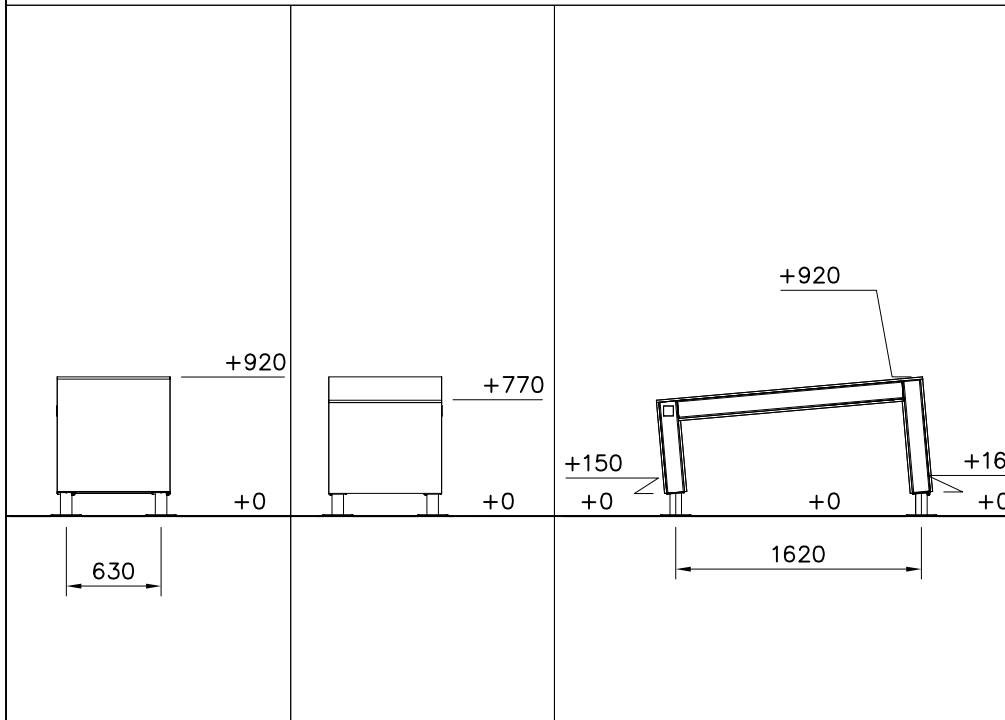


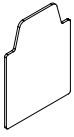
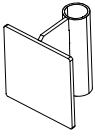









① 702286  65x65	PCS 1	② 707210  118x118x503	PCS 4
③ 707213  118x118x1490	PCS 2	④ 708127  118x118x603	PCS 2
⑤ 708137  118x118x745	PCS 2	⑥ 708721  15x745x1766	PCS 1
⑦ 708725  15x603x745	PCS 1	⑧ 708726  15x745x745	PCS 1
⑨ 708834  15x745x470	PCS 1	⑩ 708835  15x745x612	PCS 1
⑪ 708857 JIG  20x133x149	PCS 1	⑫ 709204  15x745x1495	PCS 1
⑬ 900240  Ø8x70	PCS 32	⑭ 903093  Ø8x90	PCS 8
⑮ 905103  PT-28/32-H	PCS 8	⑯ 905112  Ø22	PCS 8

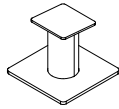
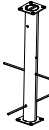


(17) 908698	PCS	(18) 910266	PCS	(19) 980114	PCS	(20) 980100	PCS	(21) 980123	PCS		PCS		PCS
	8		4		4		48		38				
3x114x108		90x108x118		Ø4x20		Ø5x60		Ø7x60					
	PCS		PCS		PCS								

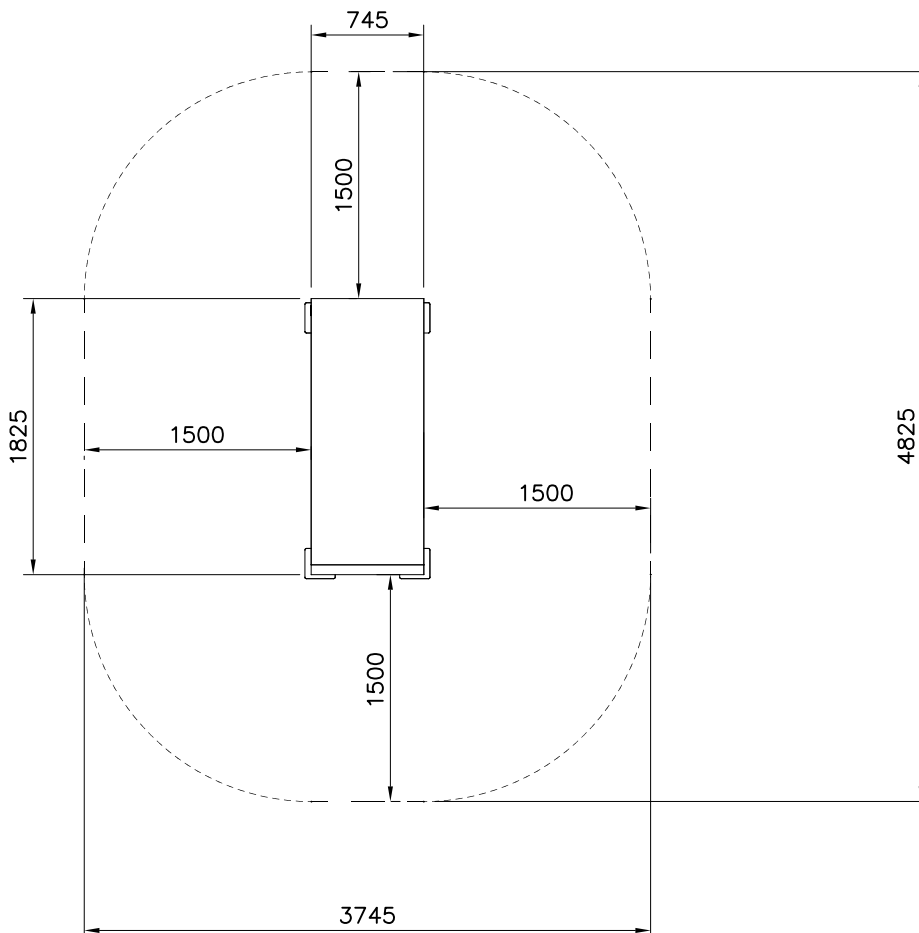
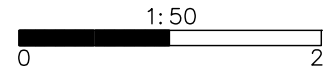
FOOT OPTIONS

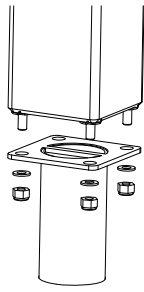
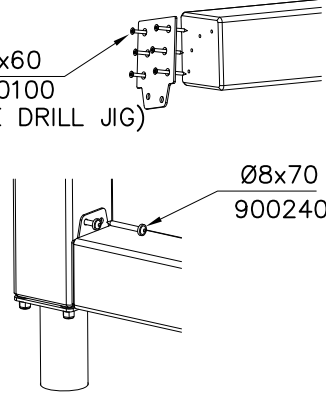
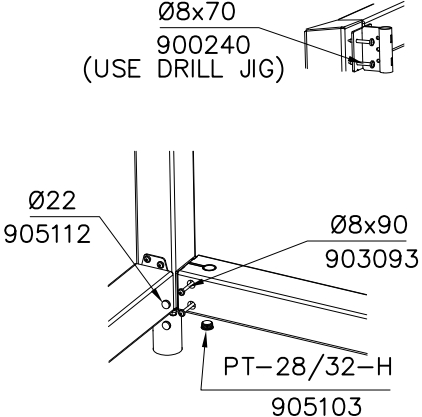
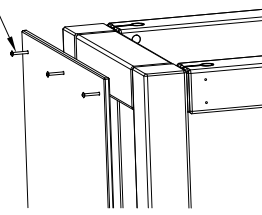
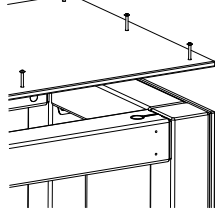
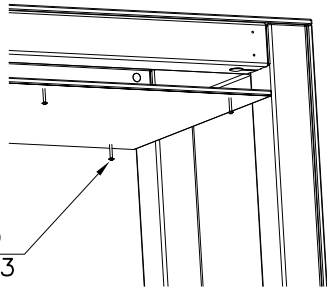
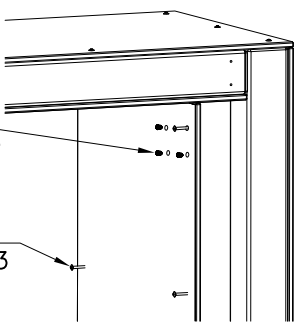
709261+

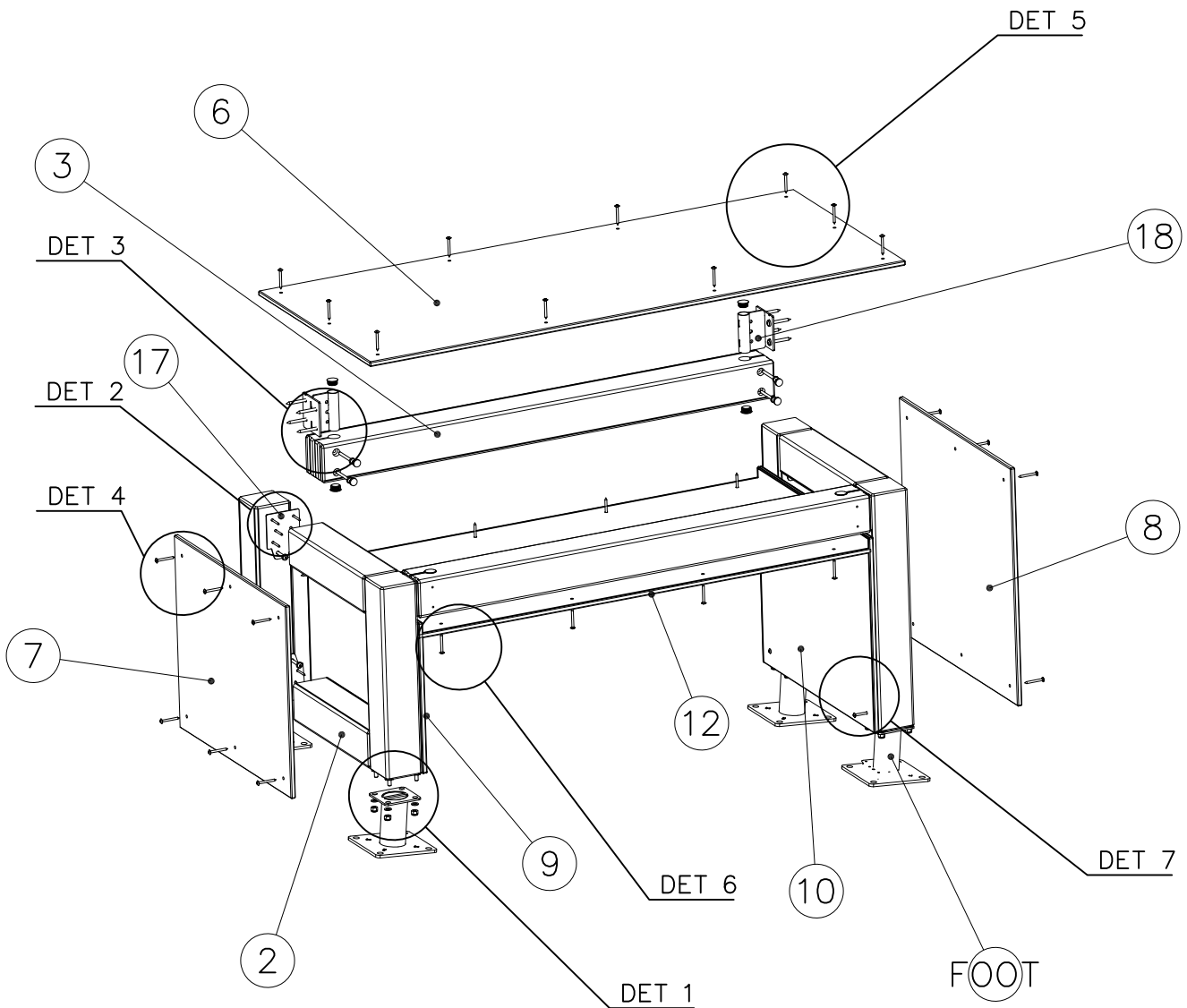
709262+

○ 910267	PCS	○ 910567	PCS
SURFACE	4	CONCRETE	4
			
152x200x200		117x117x715	

----- Falling Space 16.1 m²
Max Falling Height 920 mm



<p>DET 1</p> 	<p>DET 2</p>  <p>Ø5x60 980100 (USE DRILL JIG)</p> <p>Ø8x70 900240</p>	<p>DET 3</p>  <p>Ø8x70 900240 (USE DRILL JIG)</p> <p>Ø22 905112</p> <p>Ø8x90 903093</p> <p>PT-28/32-H 905103</p>
<p>DET 4</p>  <p>Ø7x60 980123</p>	<p>DET 5</p>  <p>Ø7x60 980123</p>	<p>DET 6</p>  <p>Ø7x60 980123</p>
<p>DET 7</p>  <p>SRL12 903533</p> <p>Ø7x60 980123</p>		



JIG DET A (USE DET 2-3)

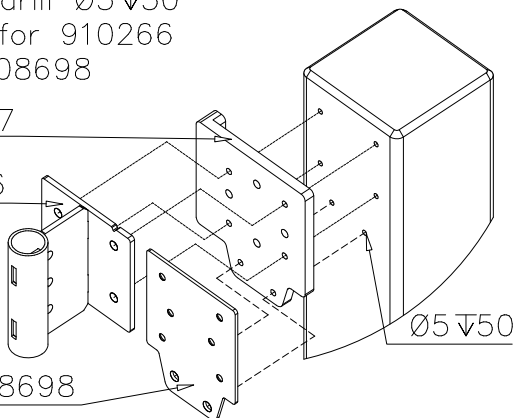
NOTE:

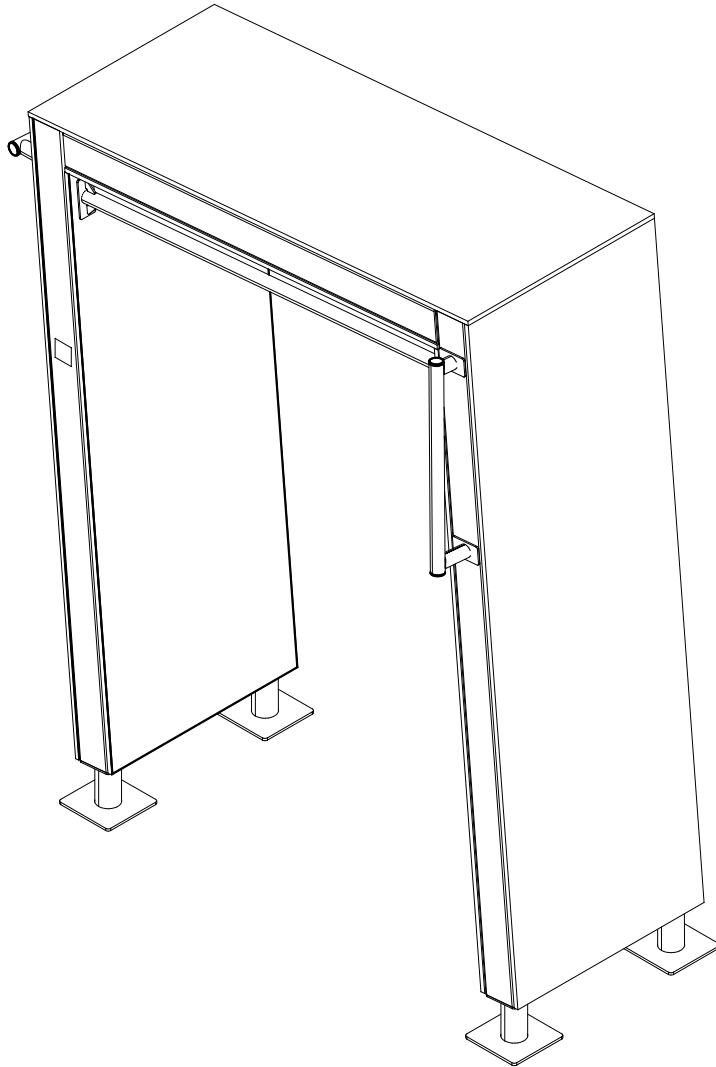
Use drill jig 708857 to predrill $\text{Ø}5 \nabla 50$ holes for 910266 and 908698

708857

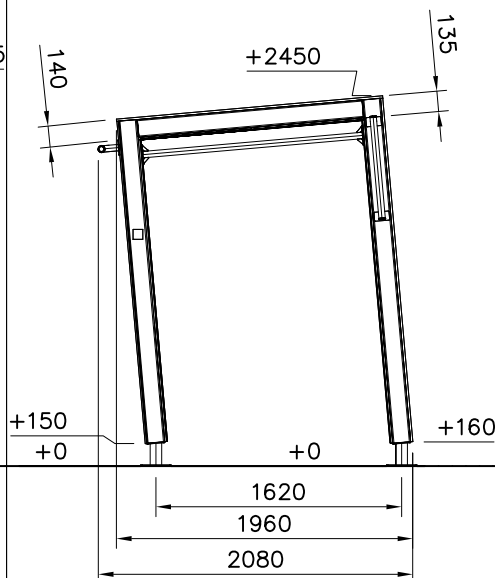
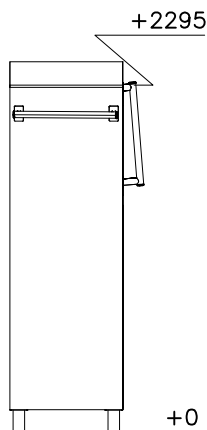
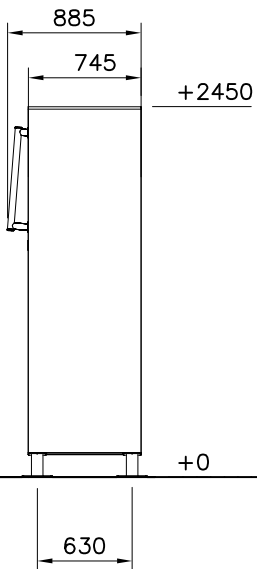
910266

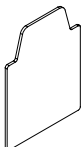
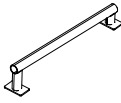
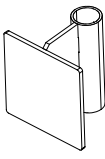





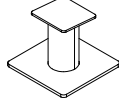

908698



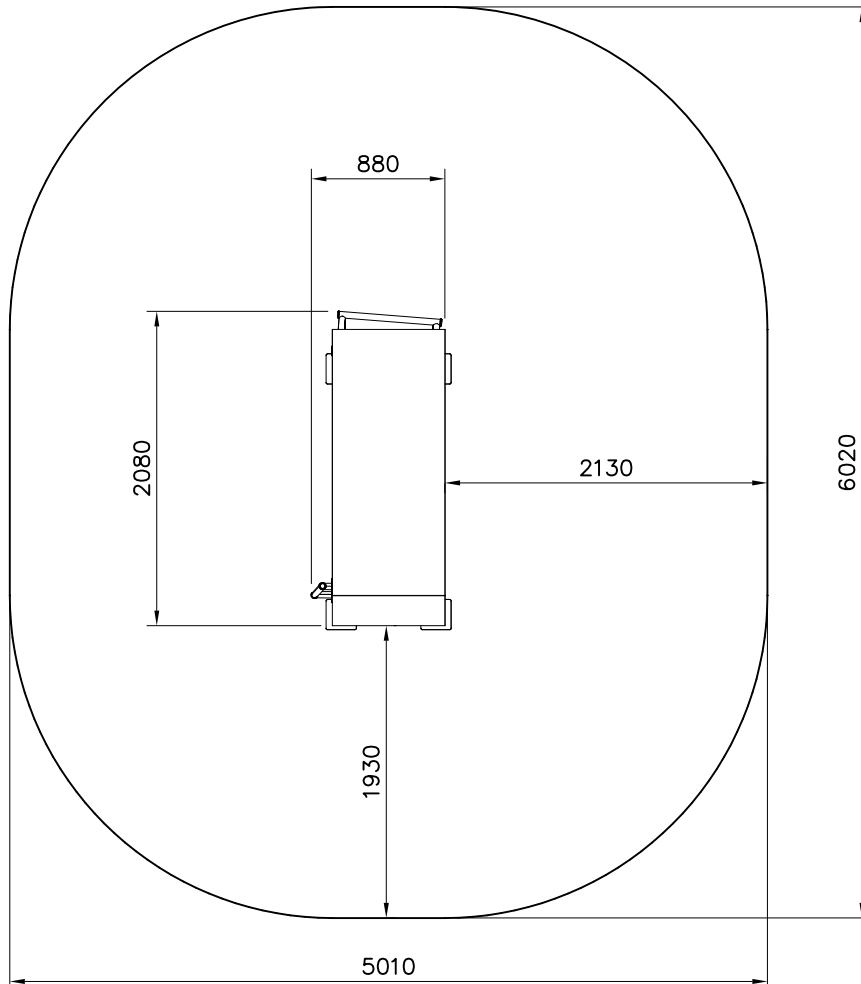
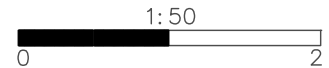


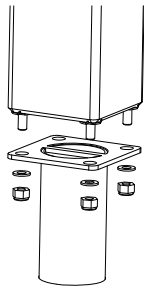
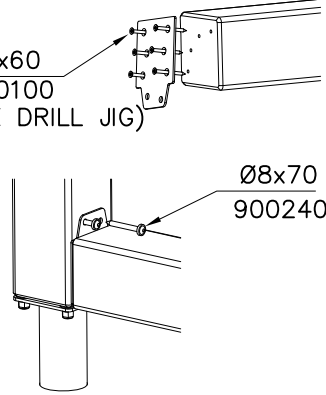
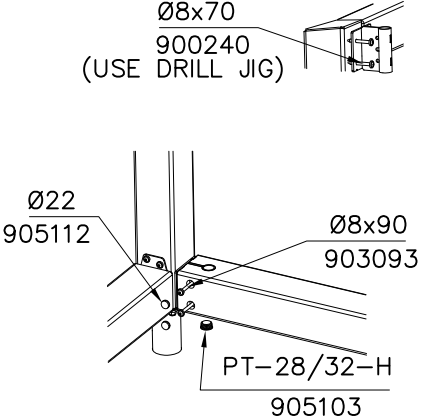
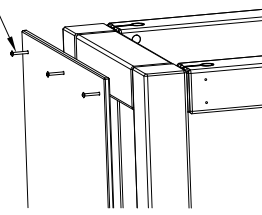
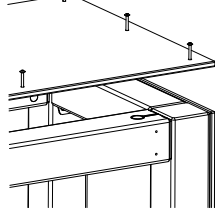
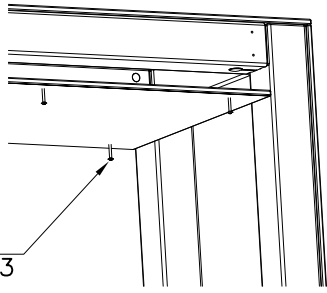
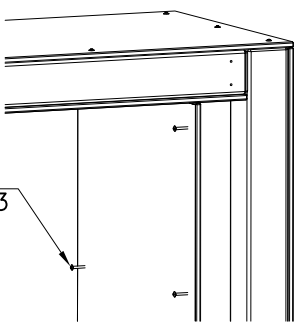
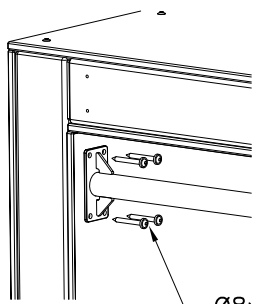
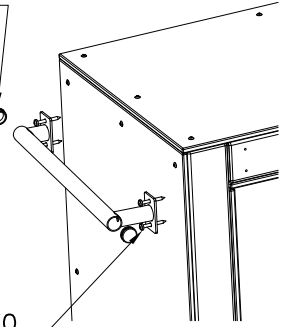
① 707210 118x118x503	PCS 4	② 707213 118x118x1490	PCS 2
③ 708522 118x118x2139	PCS 2	④ 708688 118x118x2279	PCS 2
⑤ 708721 15x745x1766	PCS 1	⑥ 708722 15x745x2280	PCS 1
⑦ 708857 JIG 20x133x149	PCS 1	⑧ 911297 MURAL 12x745x2140	PCS 1
⑨ 911293 COLOR 15x745x2145	PCS 1	⑩ 911295 COLOR 15x745x2004	PCS 1
⑪ 911301 COLOR 15x745x1495	PCS 1	⑫ 900240 Ø8x70	PCS 56
⑬ 903093 Ø8x90	PCS 8	⑭ 905103 PT-28/32-H	PCS 8
⑮ 905112 Ø22	PCS 8	⑯ 908371 42-38/40	PCS 4



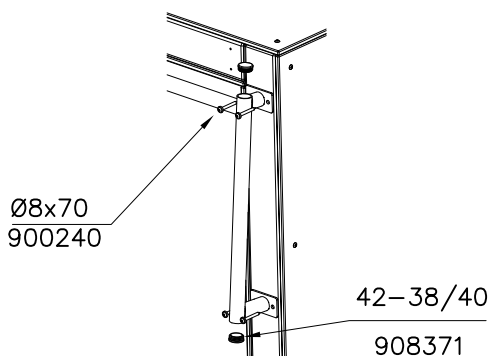
17	908698	PCS	18	910056	PCS	19	910266	PCS	20	910328	PCS	21	980100	PCS	22	980123	PCS		PCS
	8			2			4			2		48		56					
3x114x108			140x690			90x108x118			L 1466		Ø5x60		Ø7x60						
23	702286	PCS	24	980114	PCS	FOOT OPTIONS													
	1			4		709261+		709262+		910267		PCS	910567		PCS				
65x65			Ø4x20			SURFACE		CONCRETE		4		4			4				
										152x200x200			117x117x715						

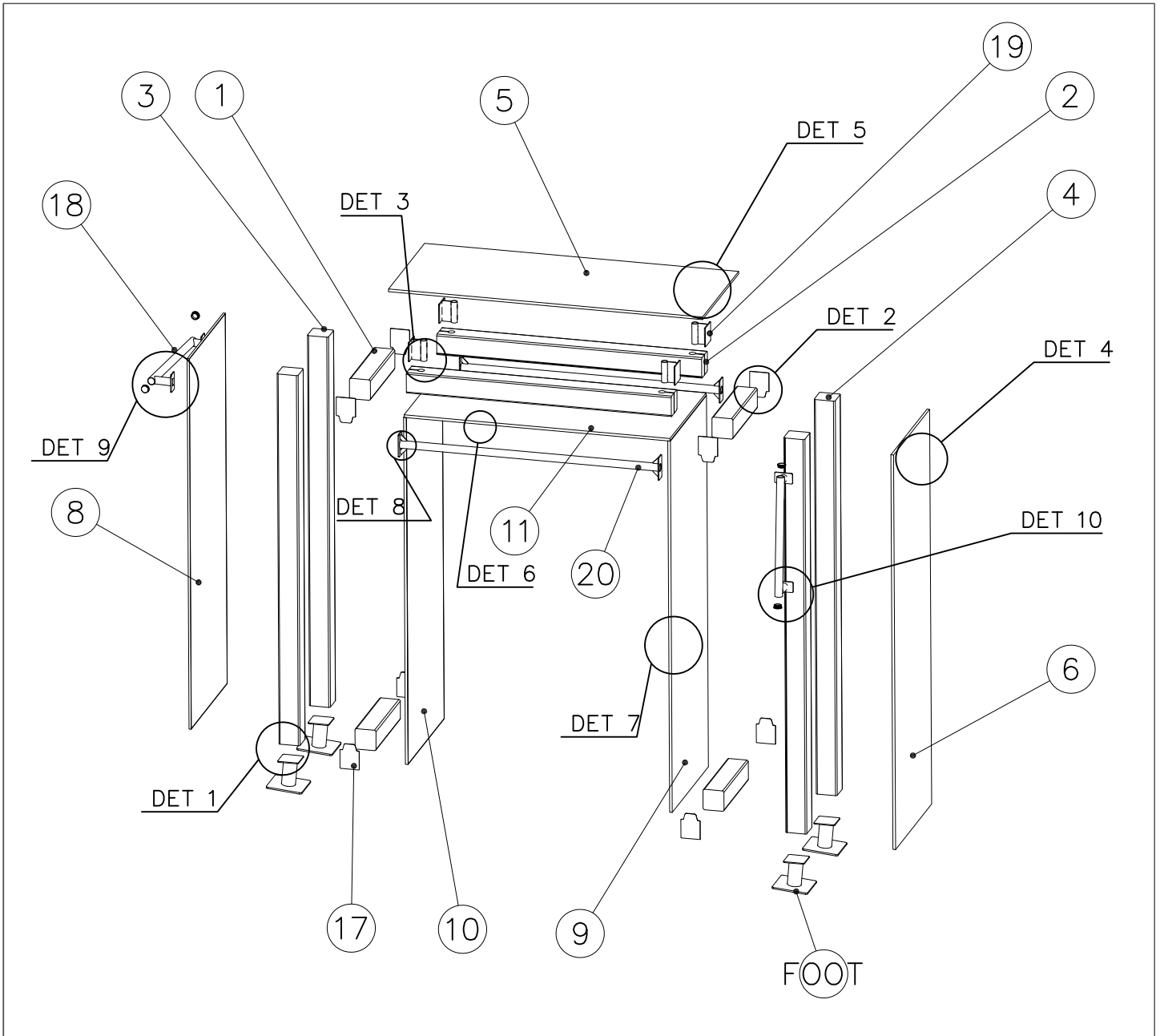
- EN Impact Attenuating Surface (IAS) 26.3 m2
- - - - Falling Space 26.3 m2
Max Falling Height 2450 mm



<p>DET 1</p> 	<p>DET 2</p>  <p>Ø5x60 980100 (USE DRILL JIG)</p> <p>Ø8x70 900240</p>	<p>DET 3</p>  <p>Ø8x70 900240 (USE DRILL JIG)</p> <p>Ø22 905112</p> <p>Ø8x90 903093</p> <p>PT-28/32-H 905103</p>
<p>DET 4</p>  <p>Ø7x60 980123</p>	<p>DET 5</p>  <p>Ø7x60 980123</p>	<p>DET 6</p>  <p>Ø7x60 980123</p>
<p>DET 7</p>  <p>Ø7x60 980123</p>	<p>DET 8</p>  <p>Ø8x70 900240</p>	<p>DET 9</p>  <p>42-38/40 908371</p> <p>Ø8x70 900240</p>

DET 10 DRILL PREHOLES BEFORE INSTALLING HANDLES





JIG DET A (USE DET 2-3)

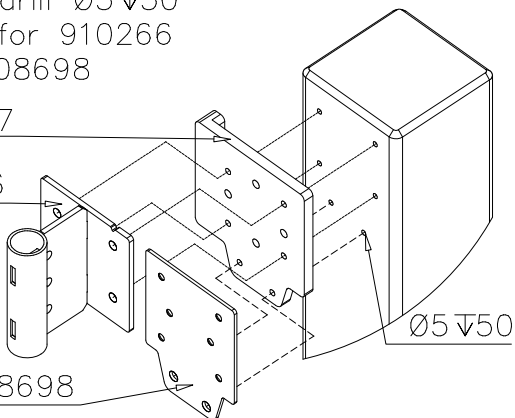
NOTE:

Use drill jig 708857 to predrill $\text{Ø}5 \nabla 50$ holes for 910266 and 908698

708857

910266

908698



JIG DET B (USE DET 9, 10)

Plywood

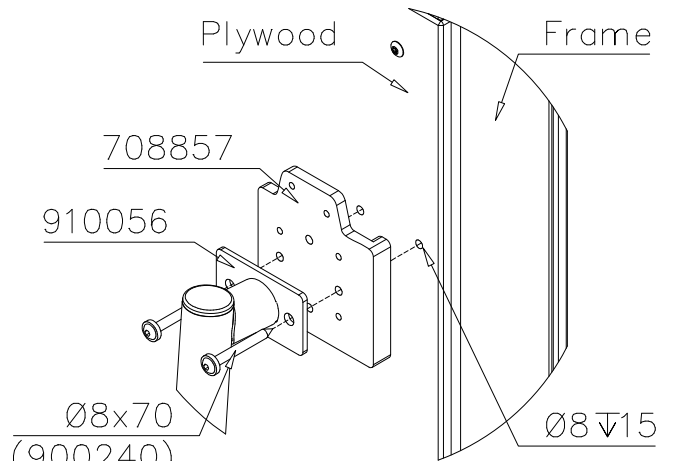
Frame

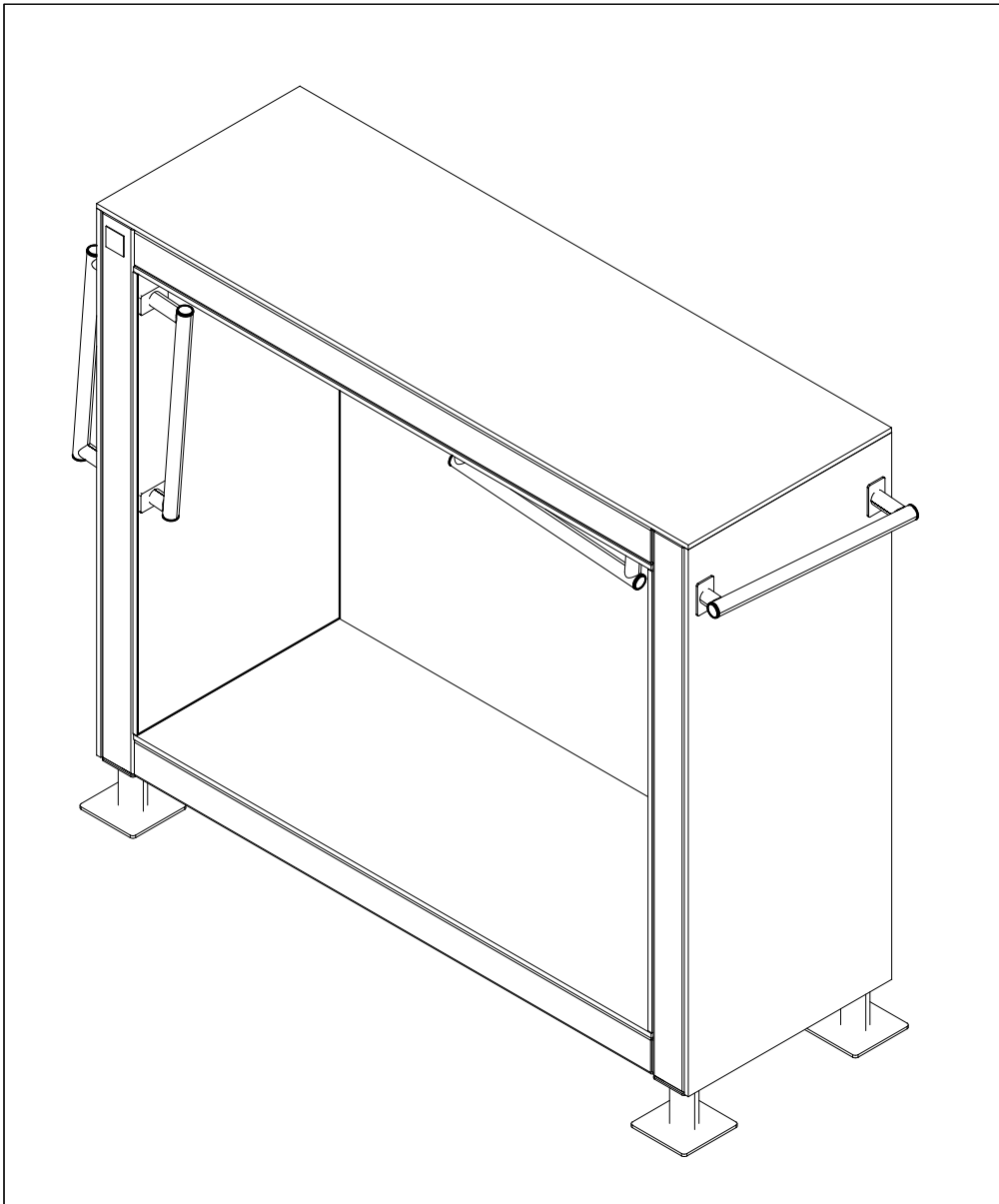
708857

910056

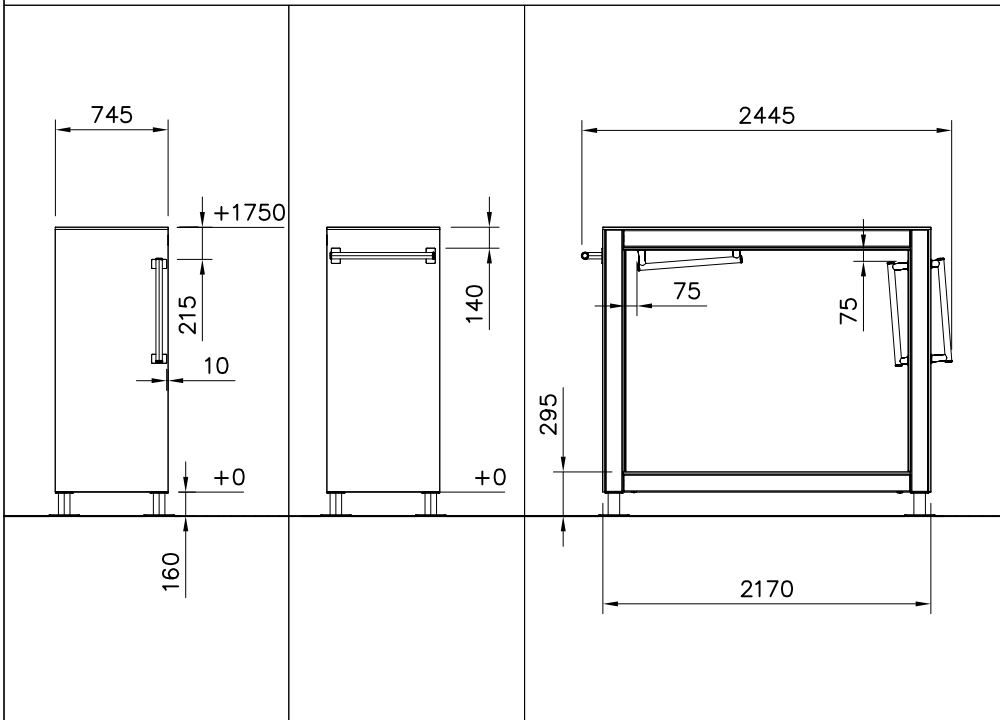
$\text{Ø}8 \times 70$
(900240)

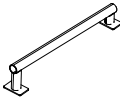
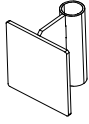


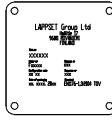
$\text{Ø}8 \nabla 15$



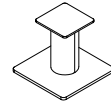



① 707210 118x118x503	PCS 4	② 707517 118x118x1892	PCS 4
③ 708346 118x118x1736	PCS 4	④ 708836 15x745x1736	PCS 2
⑤ 708837 15x745x2168	PCS 1	⑥ 708839 15x745x1897	PCS 1
⑦ 708857 JIG 20x133x149	PCS 1	⑧ 911288 COLOR 15x745x1465	PCS 2
⑨ 911289 COLOR 15x745x1897	PCS 1	⑩ 980114 Ø4x20	PCS 4
⑪ 900240 Ø8x70	PCS 64	⑫ 903093 Ø8x90	PCS 16
⑬ 905103 PT-28/32-H	PCS 8	⑭ 905112 Ø22	PCS 16
⑮ 908371 42-38/40	PCS 8	⑯ 908698 3x114x108	PCS 8

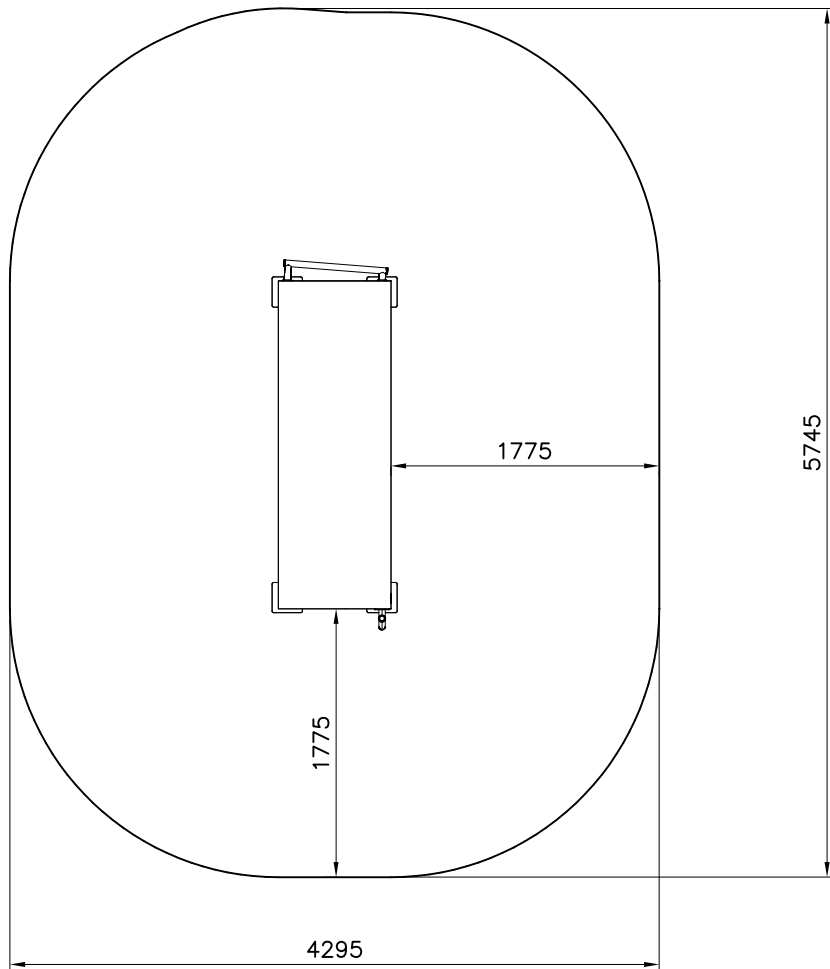
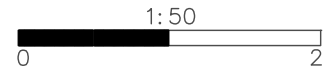


17	910056	PCS	18	910266	PCS	19	980100	PCS	20	980123	PCS	21	702286	PCS		PCS		PCS
		4		8		48		65		1								
	140x690		90x108x118		Ø5x60		Ø7x60		65x65									

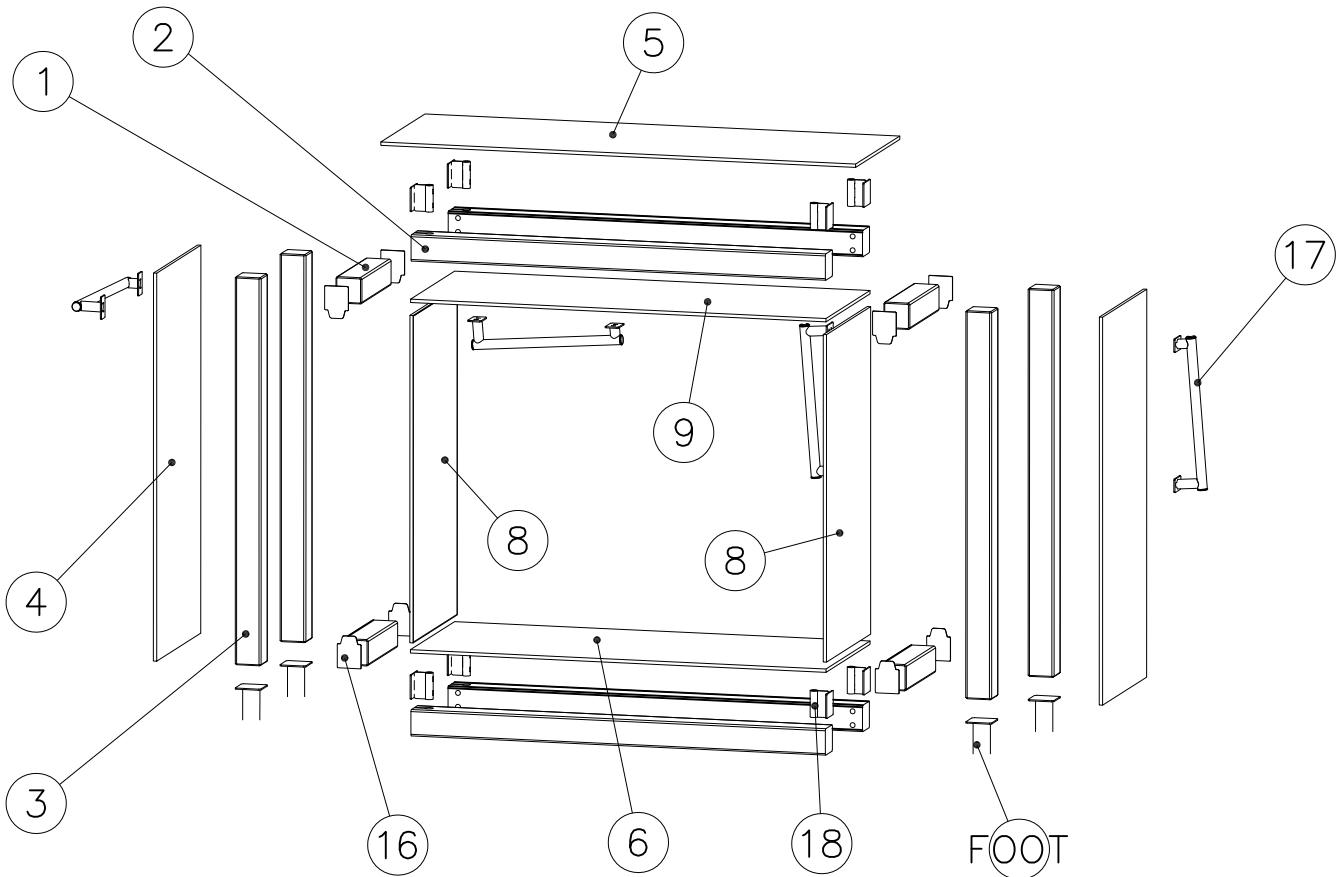
FOOT OPTIONS

709261+		709262+	
910330	PCS	910567	PCS
SURFACE	4	CONCRETE	4
			
152x200x200		117x117x715	

- EN Impact Attenuating Surface (IAS) 21.9 m2
- Falling Space 21.9 m2
- Max Falling Height 1910 mm

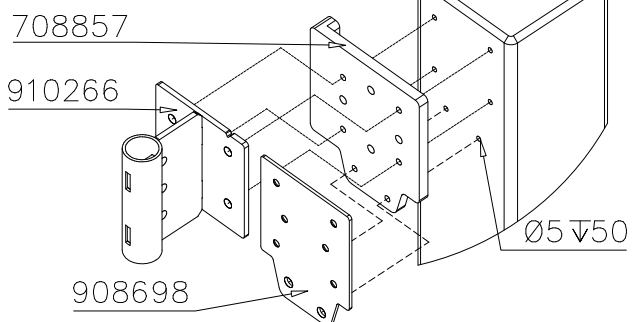


<p>DET 1</p>	<p>DET 2</p>	<p>DET 3</p>
<p>DET 4</p>	<p>DET 5</p>	<p>DET 6</p>
<p>DET 7</p>	<p>DET 8</p>	
<p>DET 9 DRILL PREHOLES BEFORE INSTALLING HANDLES</p>		

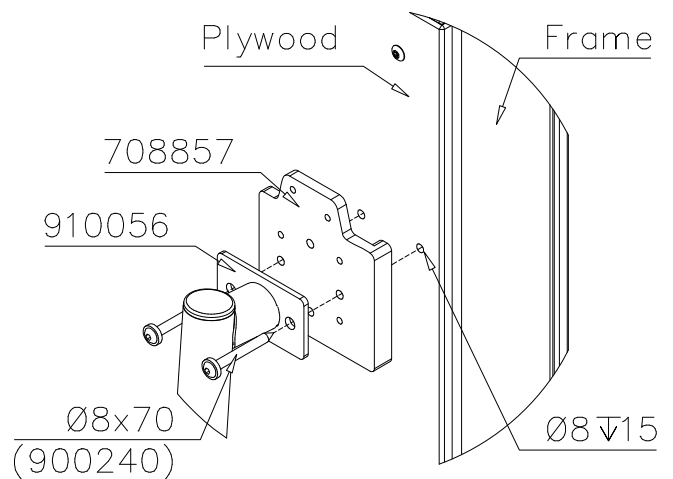


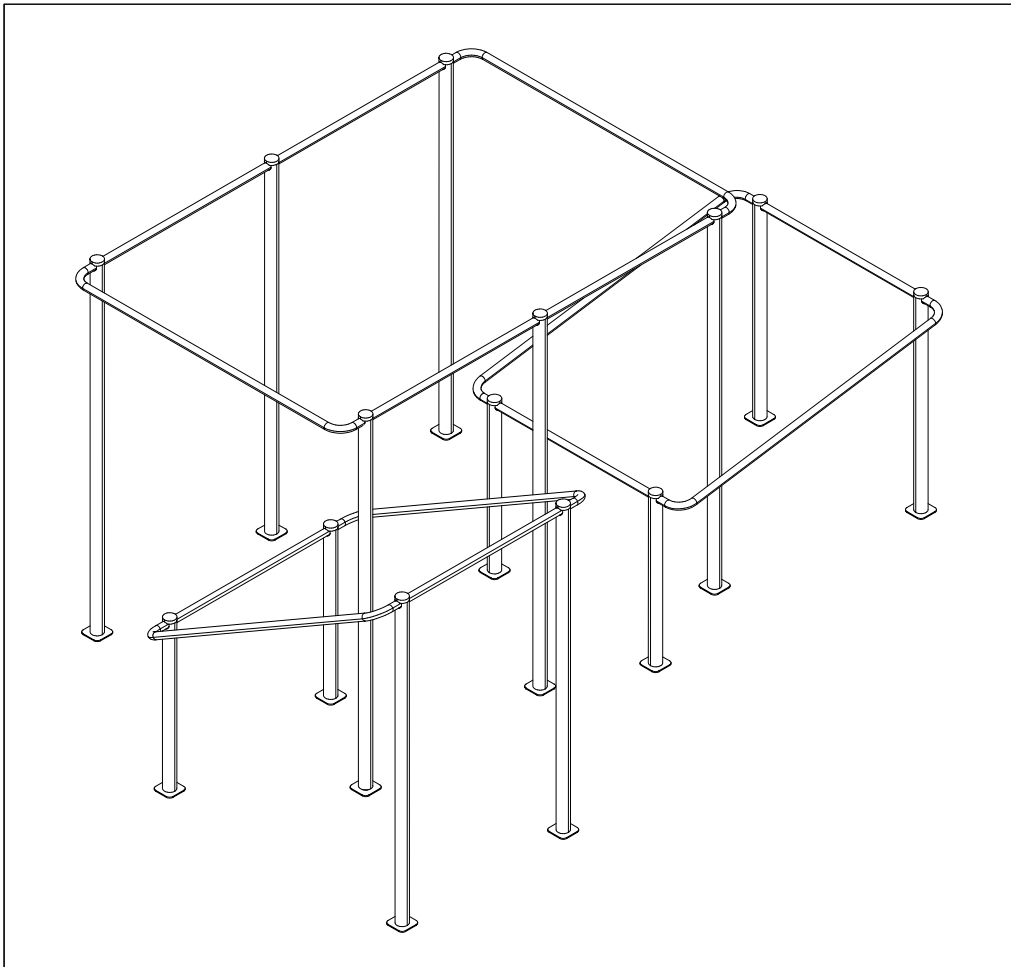
JIG DET A (USE DET 2-3)

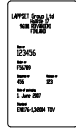

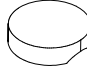

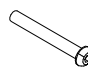


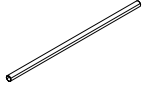
NOTE:
Use drill jig 708857
to predrill $\text{Ø}5 \nabla 50$
holes for 910266
and 908698

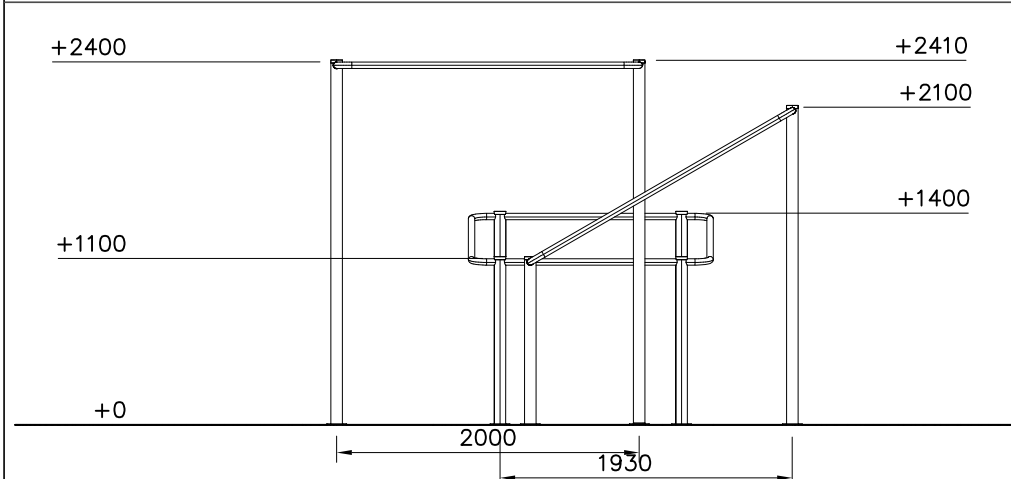



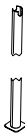

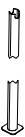
JIG DET B (USE DET 9)

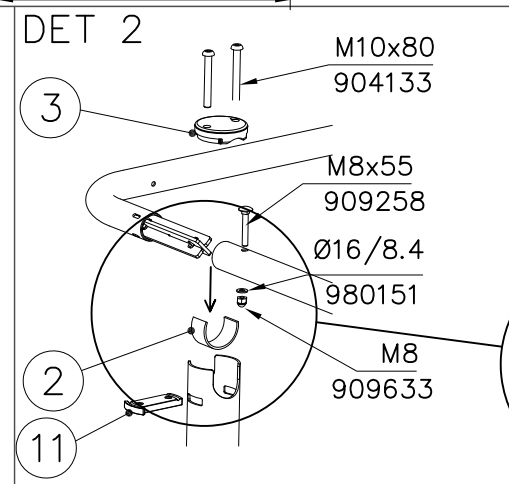
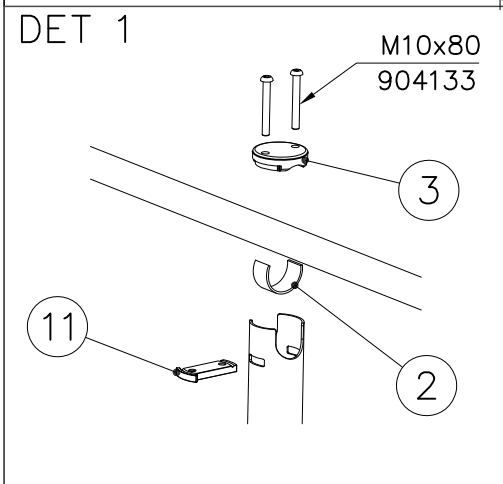


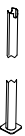
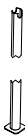



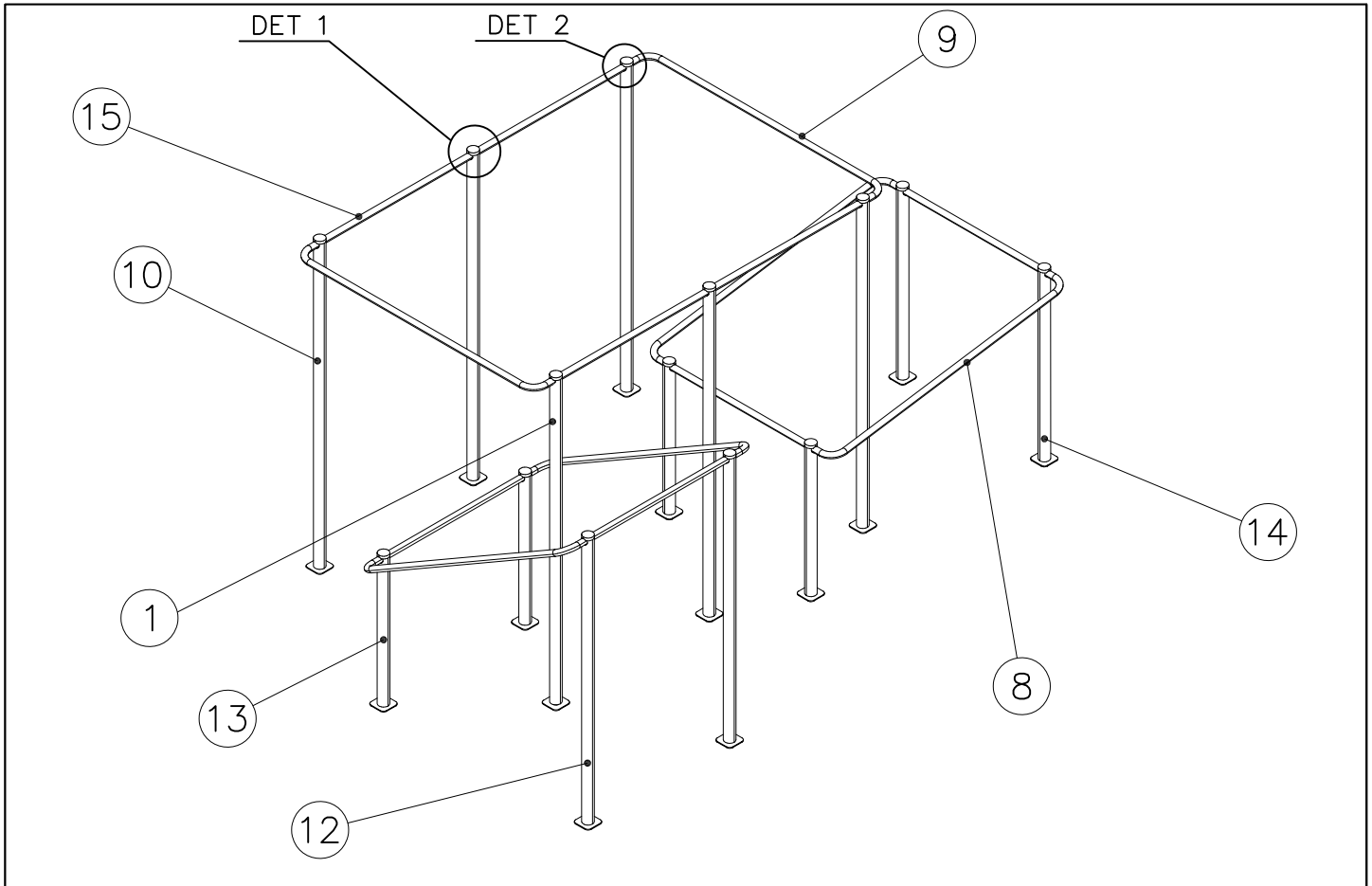
① 702341  90x50	PCS 1	② 704879  3x30x120mm	PCS 14
③ 708880  Ø77x20	PCS 14	④ 980151  Ø16/8.4	PCS 12
⑤ 904133  M10x80	PCS 28	⑥ 909258  M8x55	PCS 12
⑦ 909633  M8	PCS 12	⑧ 910547  Ø42.4x1200	PCS 4



⑨ 910549  Ø42.4x286x2042	PCS 6	⑩ 910556  L 2400	PCS 6
⑪ 910557  10x45x87	PCS 14	⑫ 910563  L 2100	PCS 2



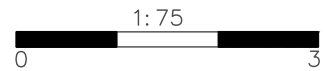
⑬ 910564  L 1100	PCS 4	⑭ 910565  L 1400	PCS 2
⑮ 910704  Ø42.4x2600	PCS 2		



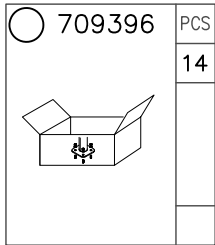
— EN Impact Attenuating Surface (IAS) 48.8 m²

- - - Falling Space 48.8 m²

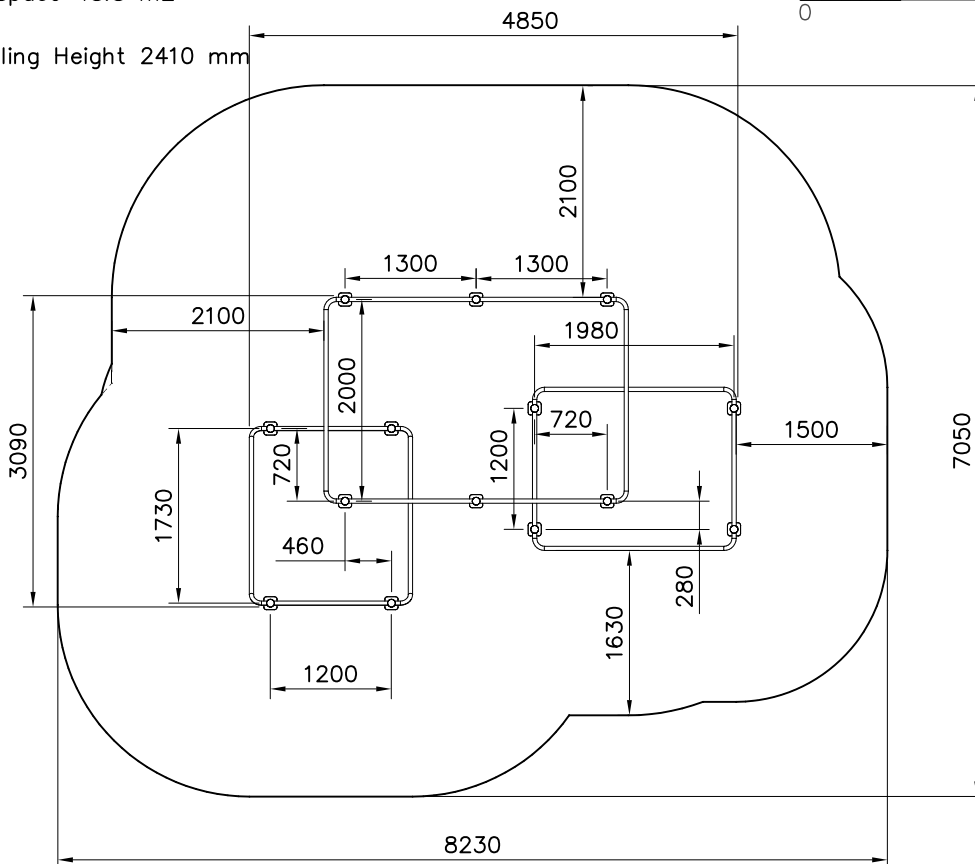
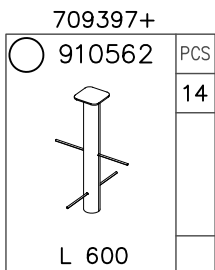
Max Falling Height 2410 mm

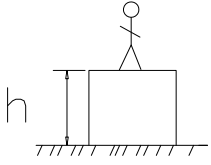


INSTALLING FOR SURFACE MOUNTING



FOOT OPTION FOR DEEP MOUNTING





$h < 1600$

Totally hard surfaces or materials with very limited impact attenuating properties.

Case by case risk assessment is needed including e.g. evaluation whether there is forced movement, what is the intended exercise and where will the product be installed.

Materials with significant impact attenuating properties.

Totally hard surfaces.
E.g. concrete or asphalt



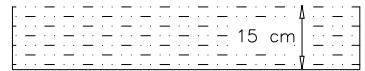
Materials with very limited impact attenuating properties.
E.g. wood



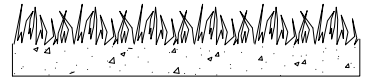
fine gravel 0–8 mm



Unsorted sand/ topsoil



Lawn

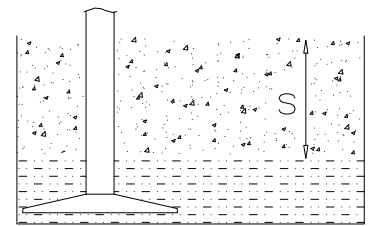


$h = 1600-$

$h < 3000$

Loose fill material

E.g.
sand/gravel 0,25...8 mm $D_{60}/D_{10} < 3,0$
Woodchips 5...30 mm
bark 20...80 mm



\underline{S}
30 cm \underline{h}
 < 3,0 m

Syntethic granulates

\underline{S}	\underline{h}
40 mm	~> 1,6...~< 1,8 m
50 mm	~> 1,8...~< 2,25 m
55 mm	~> 2,25...~< 2,4 m
60 mm	~> 2,4...~< 2,55 m
70 mm	~> 2,55...~< 3,0 m

Note. For accurate values, see manufacturer's instructions.

