

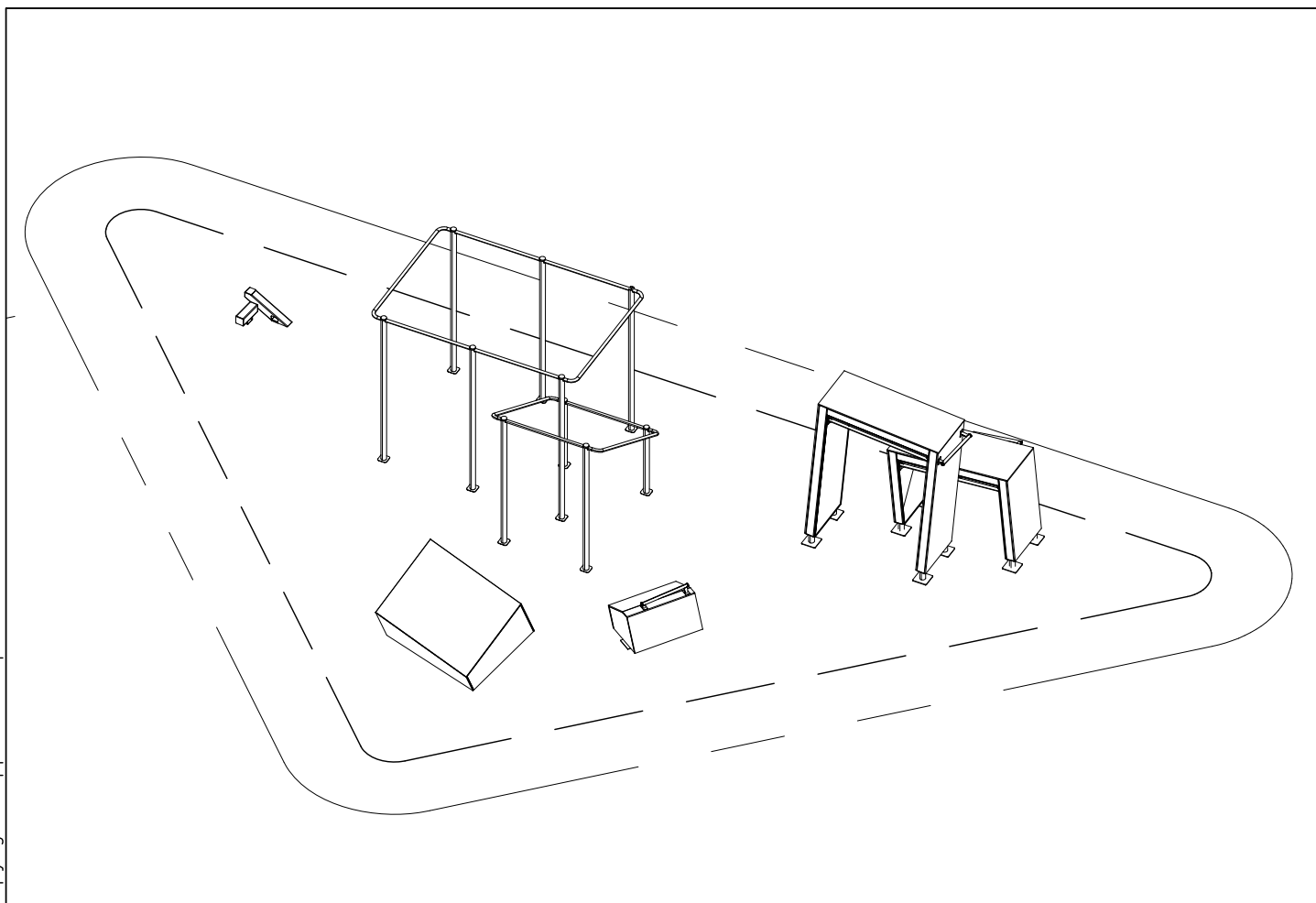
LAPPSET®

DASH PARKOUR

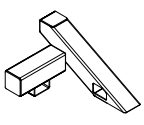
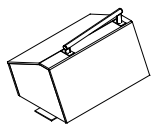
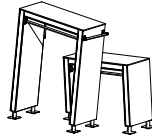
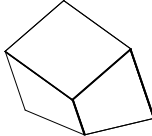
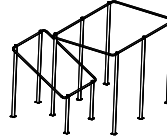





ASENNUSOHJE
MONTERINGSANSVISNING
INSTALLATION INSTRUCTION
AUFBAUANLEITUNG
NOTICE D'INSTALLATION

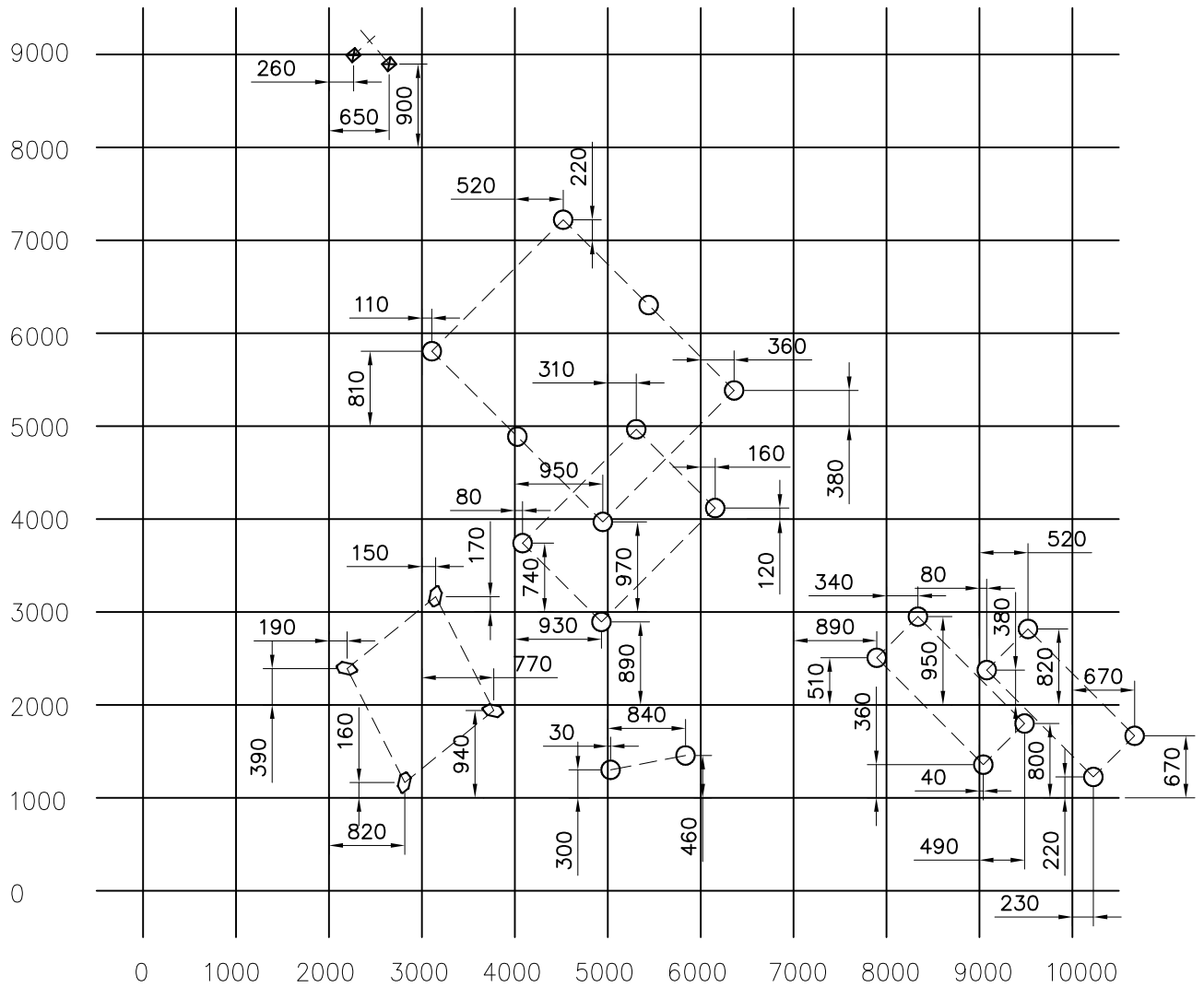
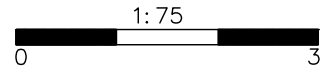
DATE: 7.11.2019

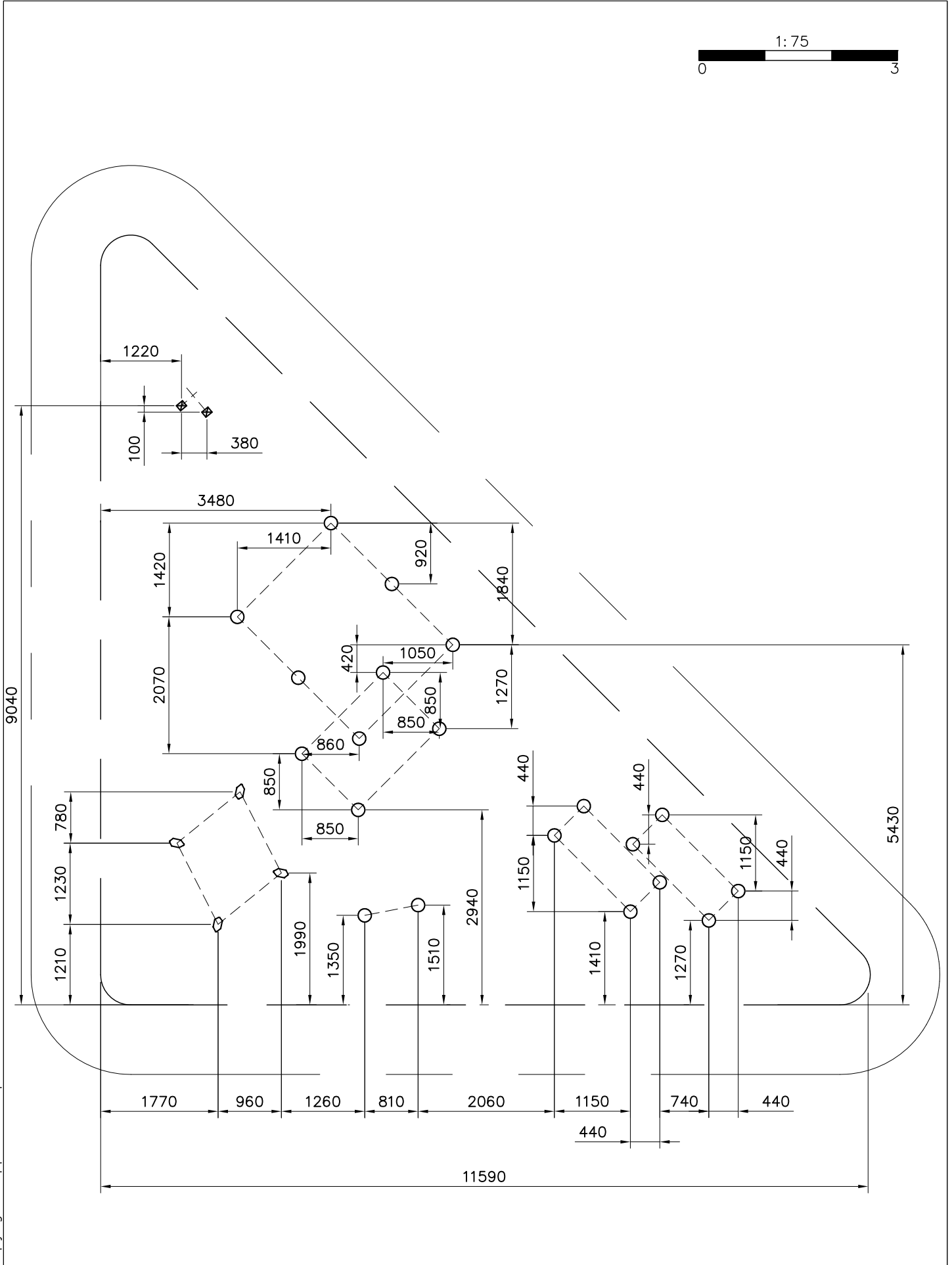
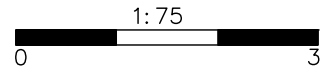
081765M

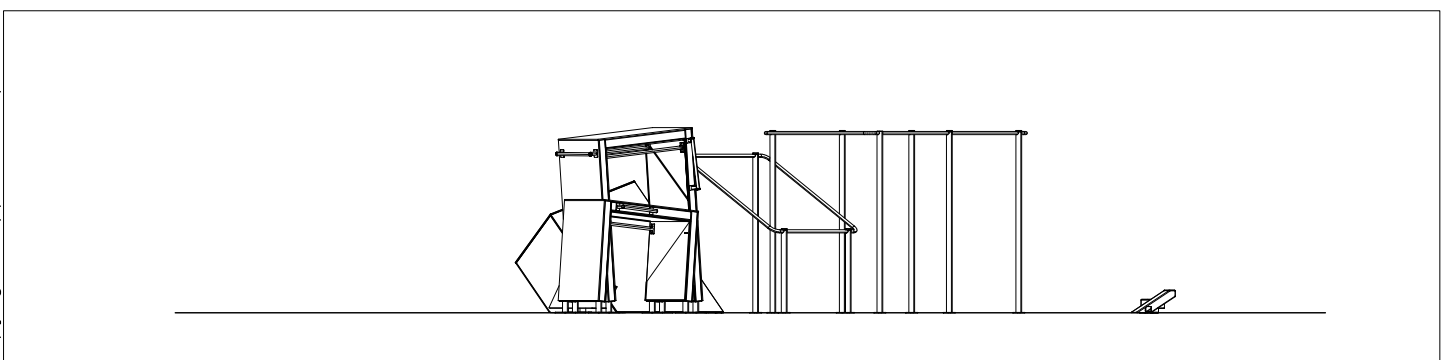
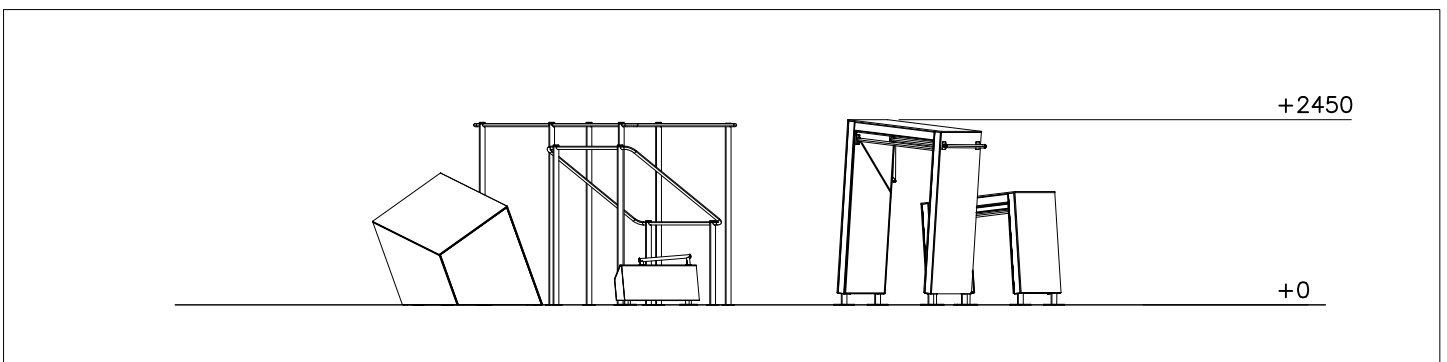
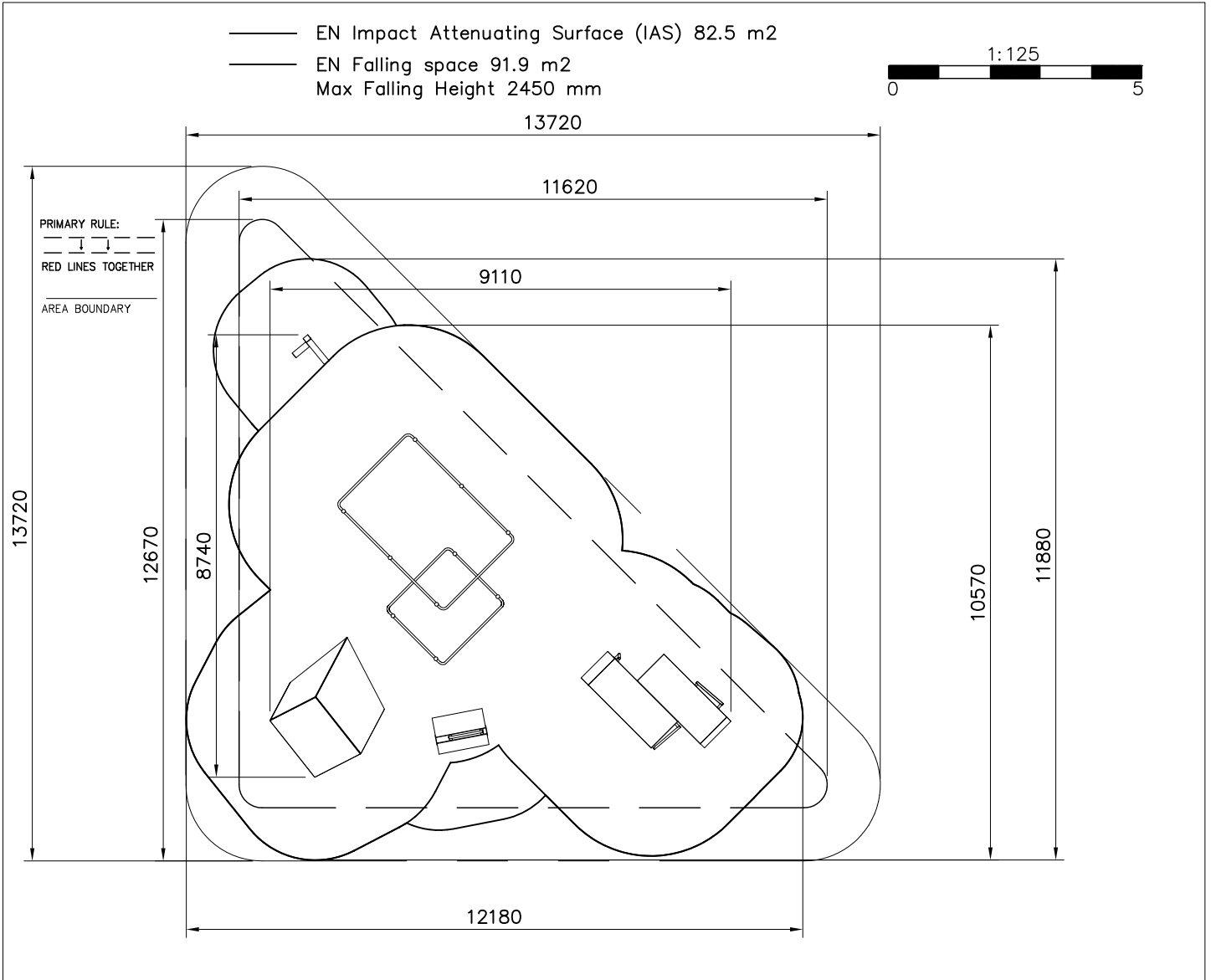


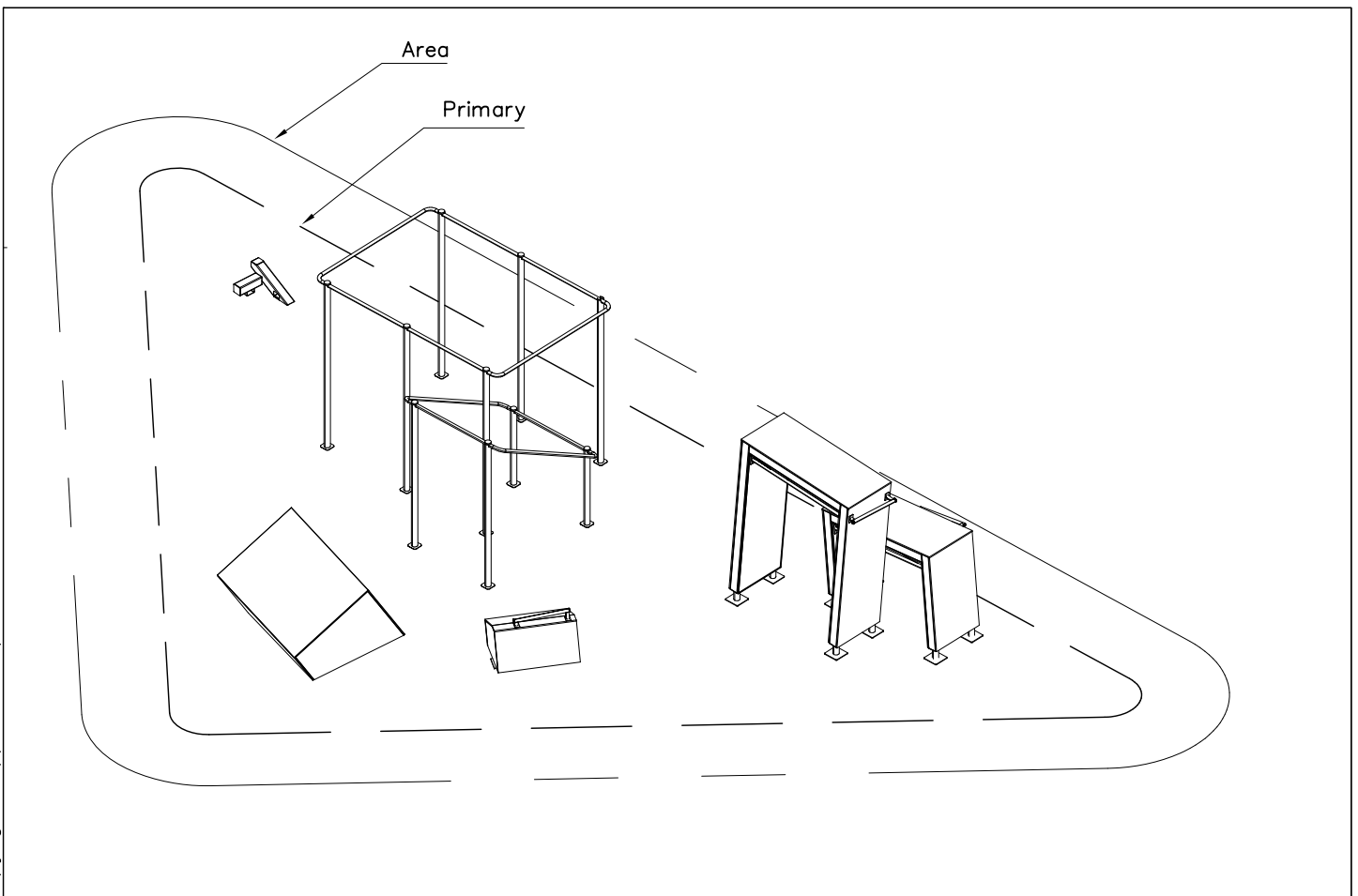
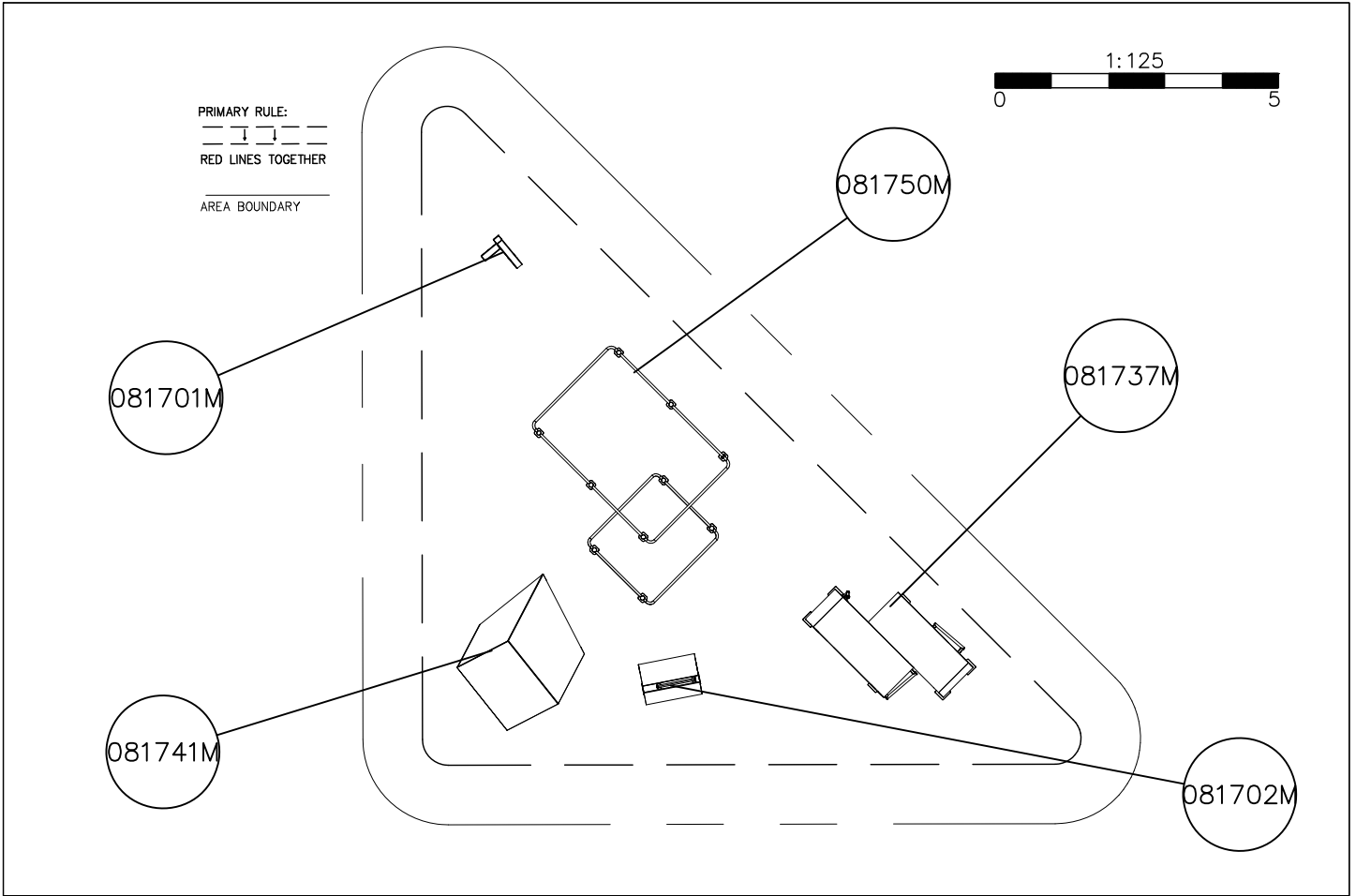
DATE: 7.11.2019

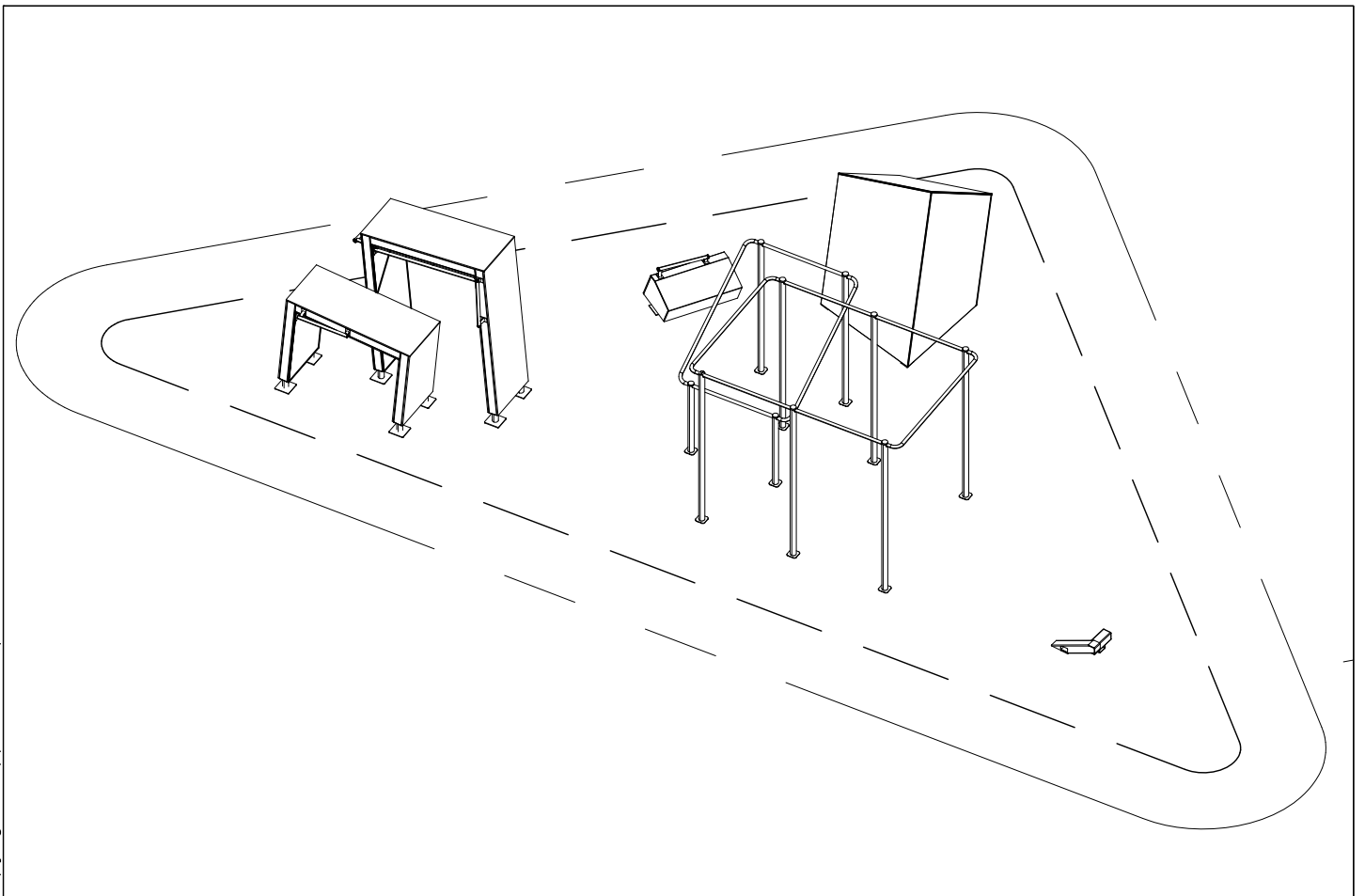
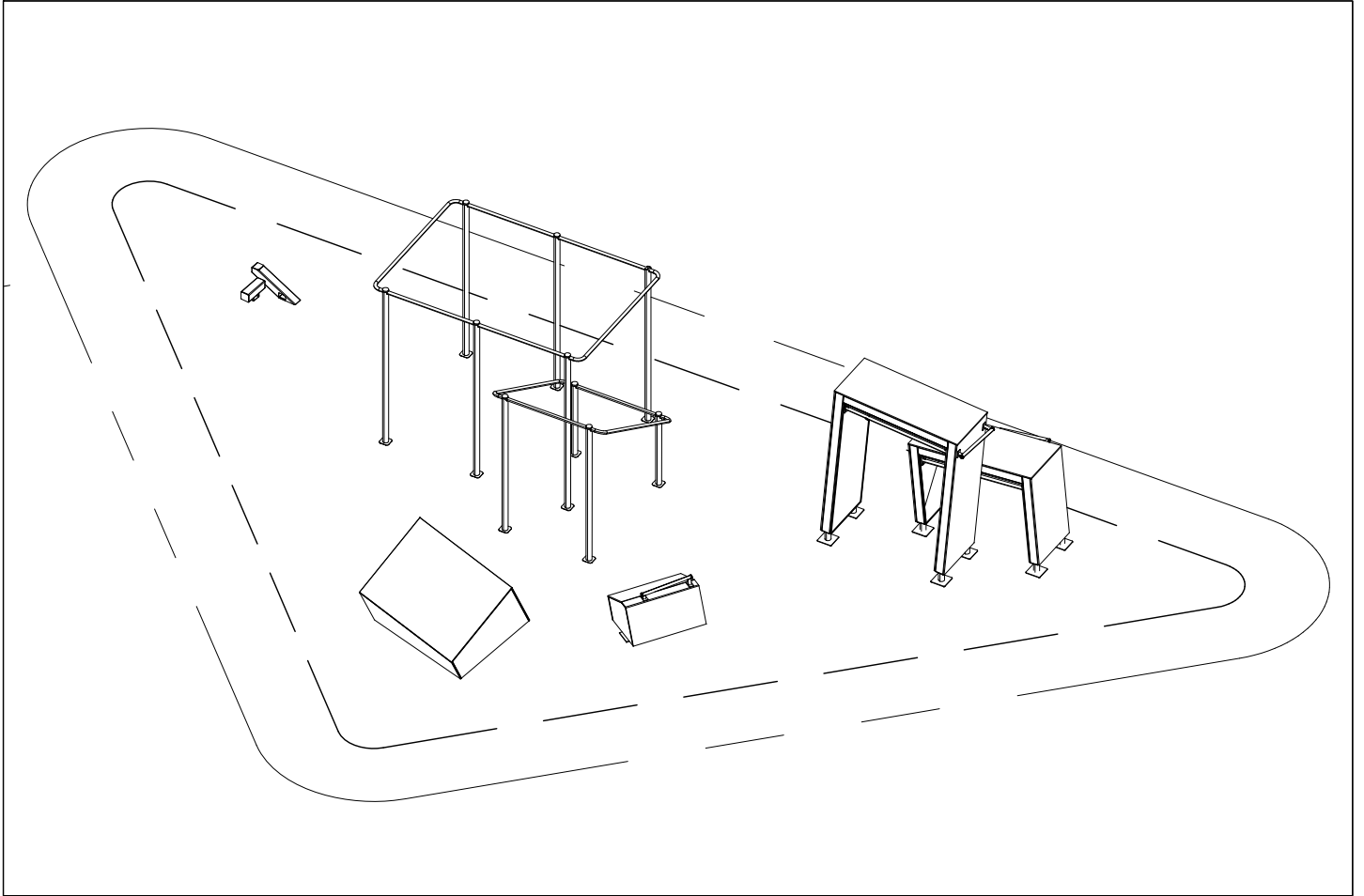
081701M	PCS 1	081702M	PCS 1	081737M	PCS 1	081741M	PCS 1	081750M	PCS 1		PCS
											
											
	PCS		PCS		PCS		PCS		PCS		PCS
	PCS		PCS		PCS		PCS		PCS		PCS
	PCS		PCS		PCS		PCS		PCS		PCS
	PCS		PCS		PCS		PCS		PCS		PCS

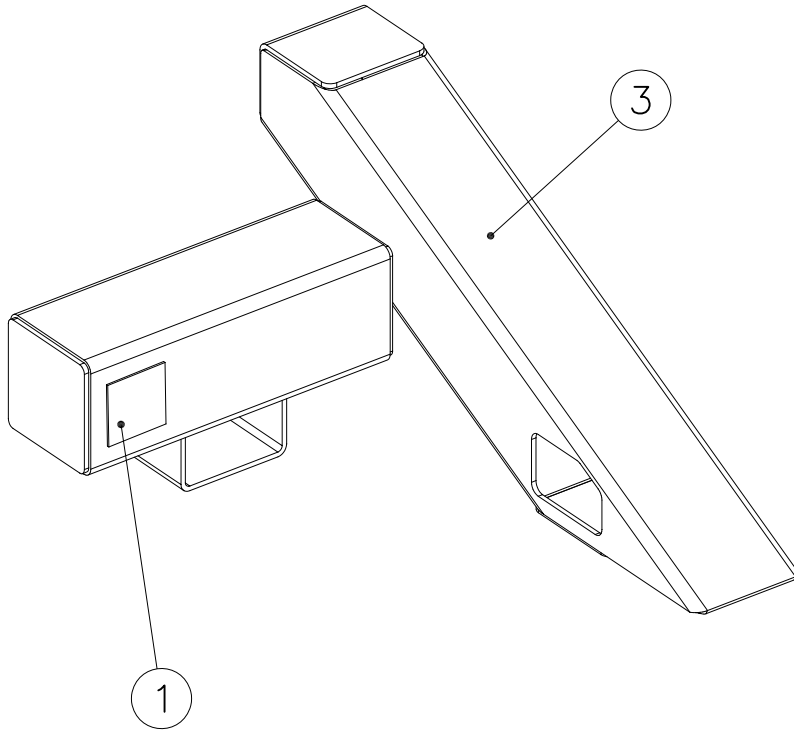


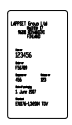



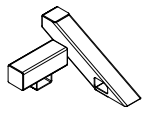







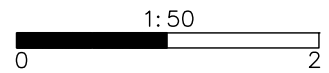


① 702341	PCS	② 709381	PCS
	1		2
90x50		SURFACE	

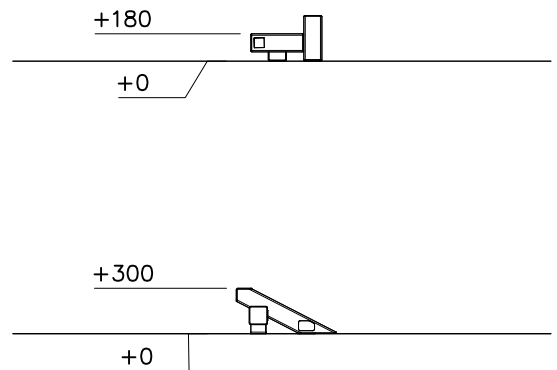
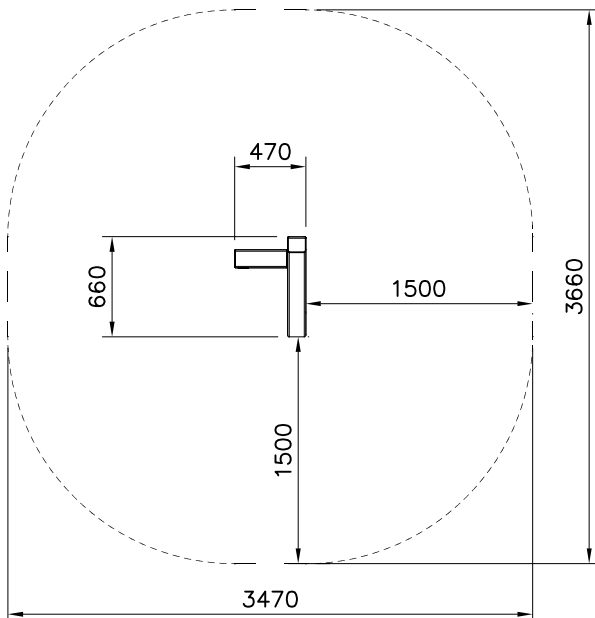
③ 910220	PCS
	1
300x470x662	

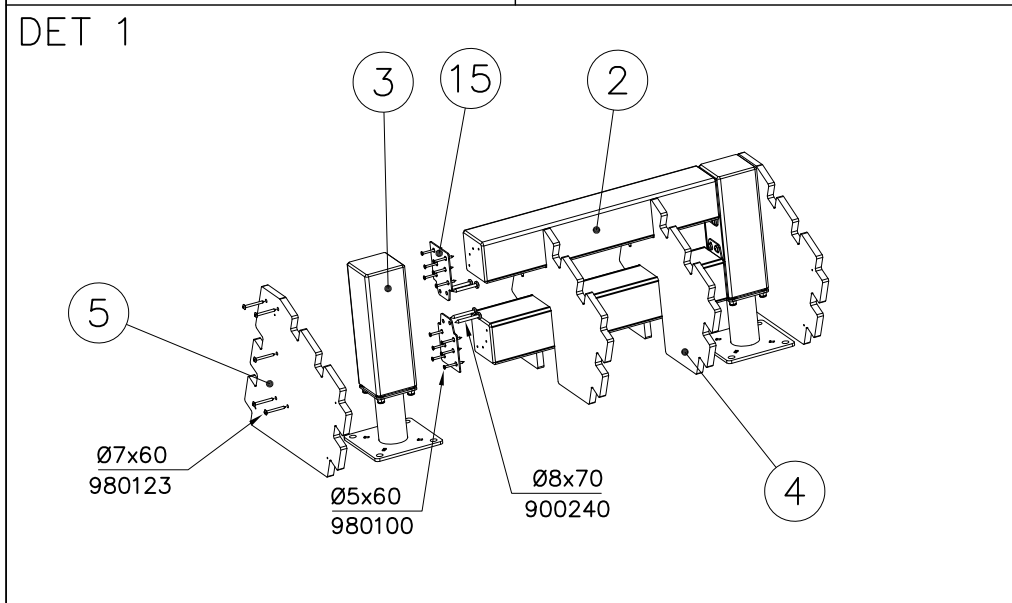
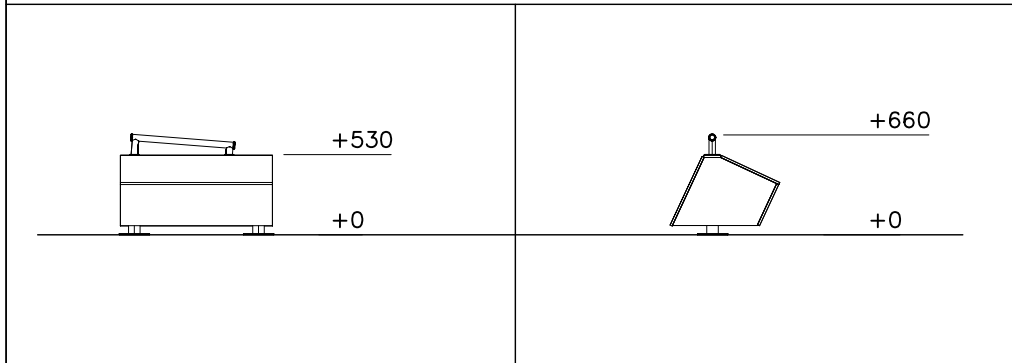
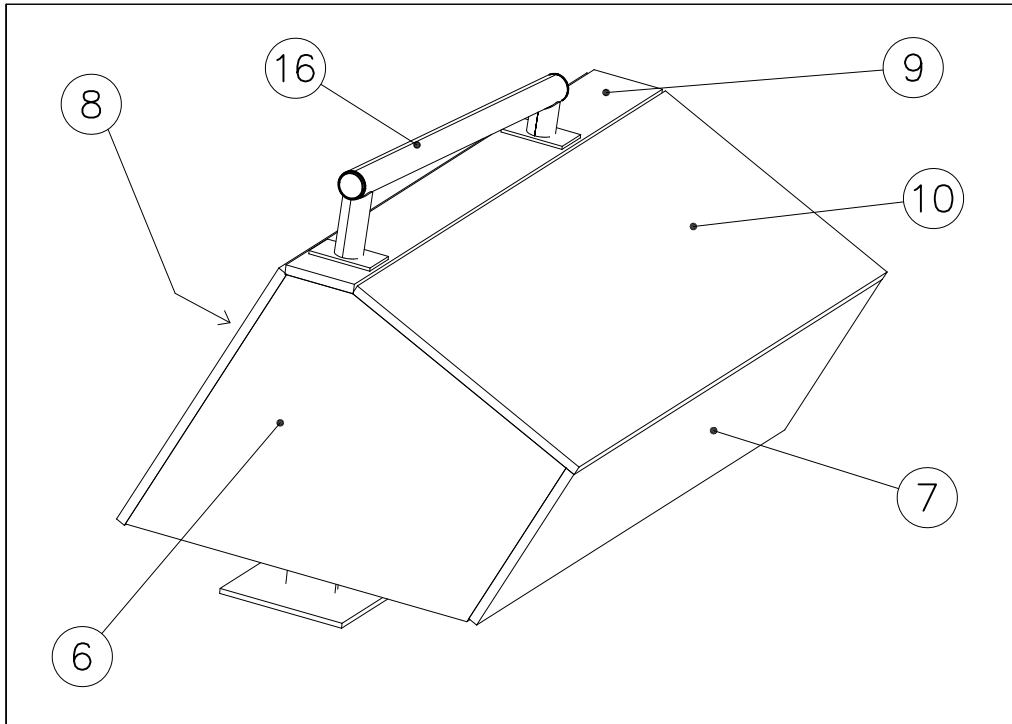
FOOT OPTION FOR DEEP MOUNTING

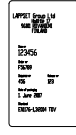


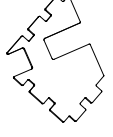
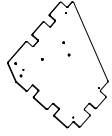
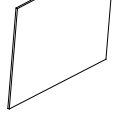
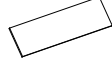

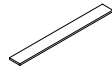
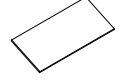



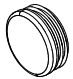
709379+	
○ 902564	PCS
	2
L 550	

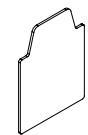
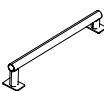






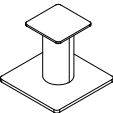

----- Falling Space 10.8 m²
 Max Falling Height 300 mm

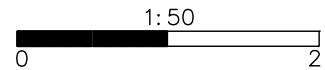
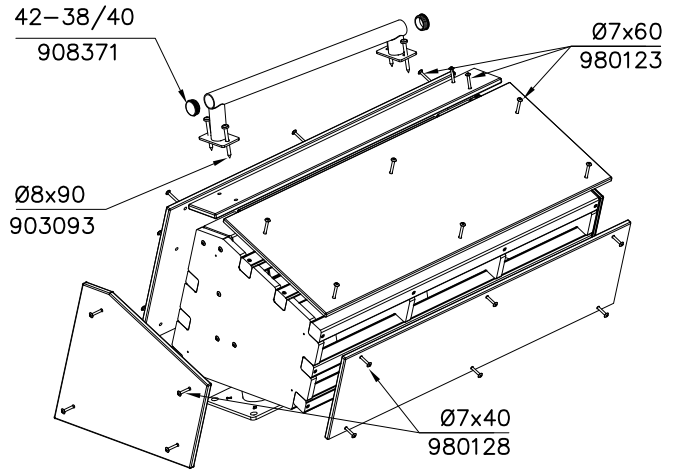
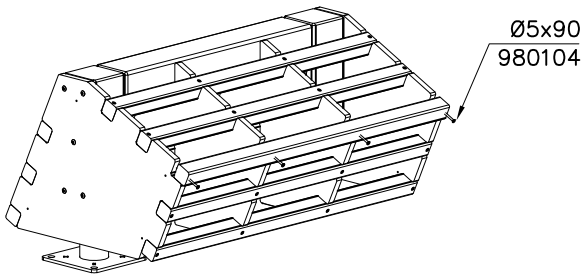
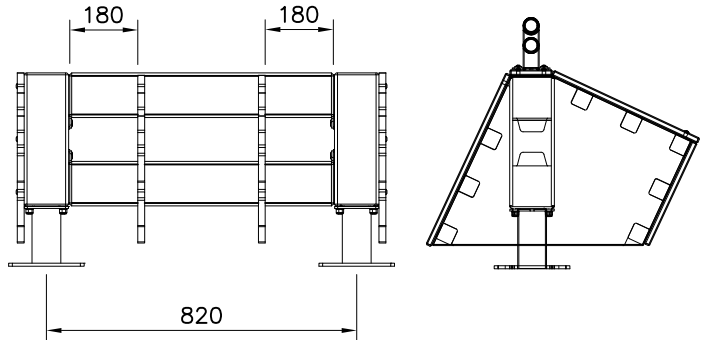




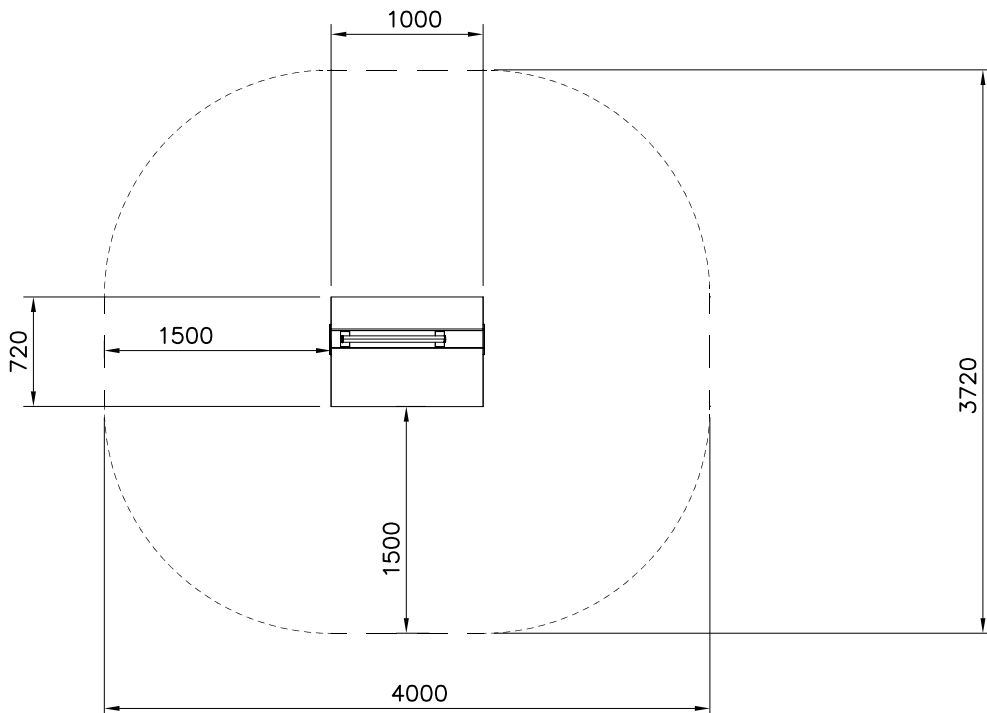
① 702341  90x50	PCS 1	② 708109  118x118x697	PCS 2
③ 708443  118x118x352	PCS 2	④ 708848  18x450x690	PCS 2
⑤ 708849  18x450x690	PCS 2	⑥ 708850  15x450x690	PCS 2
⑦ 708851  15x300x1005	PCS 1	⑧ 708852  15x500x1005	PCS 1
⑨ 708853  15x112x1005	PCS 1	⑩ 708854  15x425x1005	PCS 1
⑪ 708855  45x45x975	PCS 8	⑫ 900240  Ø8x70	PCS 8
⑬ 903093  Ø8x90	PCS 4	⑭ 908371  42-38/40	PCS 2

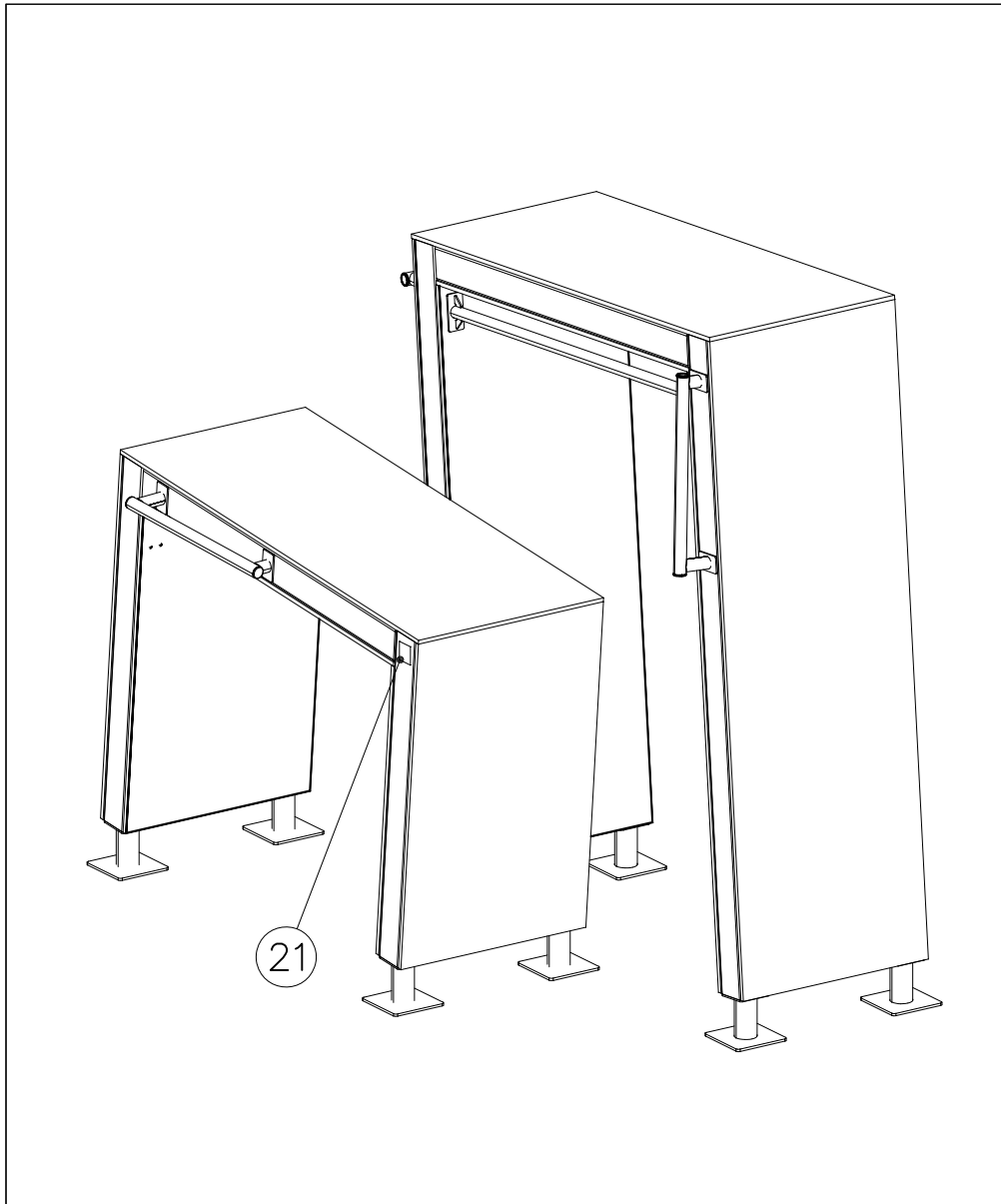
⑮ 908698  3x114x108	PCS 4	⑯ 910056  140x690	PCS 1	⑰ 980100  Ø5x60	PCS 24	⑱ 980104  Ø5x90	PCS 32	⑲ 980123  Ø7x60	PCS 27	⑳ 980128  Ø7x40	PCS 14
--	----------	--	----------	--	-----------	--	-----------	--	-----------	--	-----------

709261+		709262+	
○ 910330	PCS	○ 910567	PCS
SURFACE	2	CONCRETE	2
			
152x200x200		117x117x715	

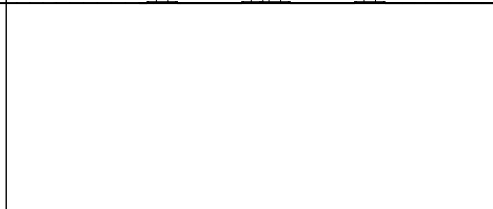
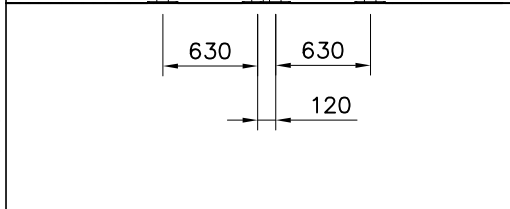
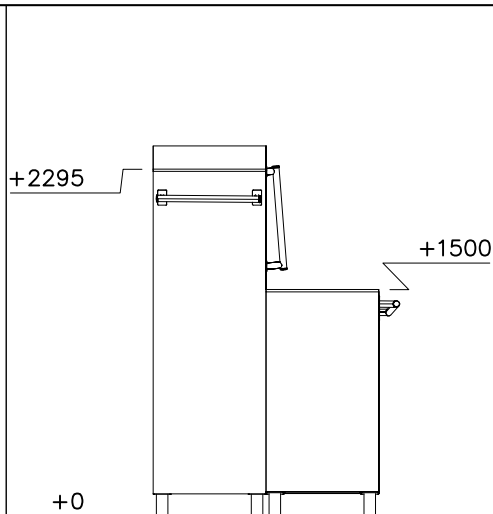
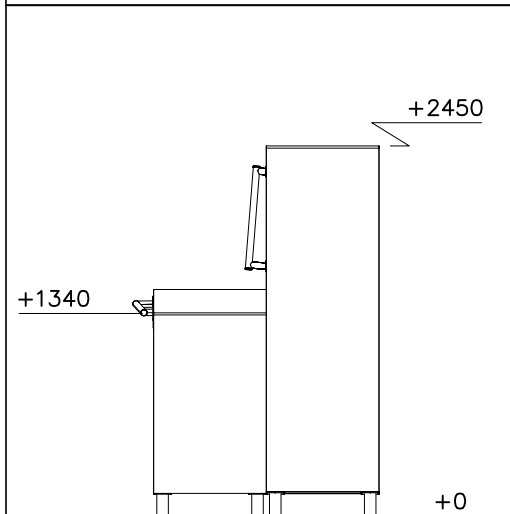



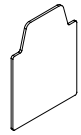
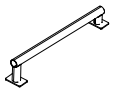
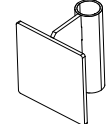
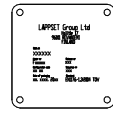



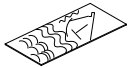
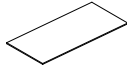


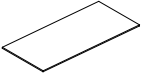
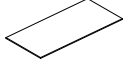
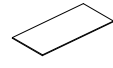




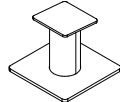

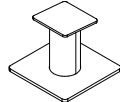

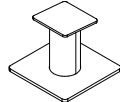

----- Falling Space 13 m²
Max Falling Height 660 mm

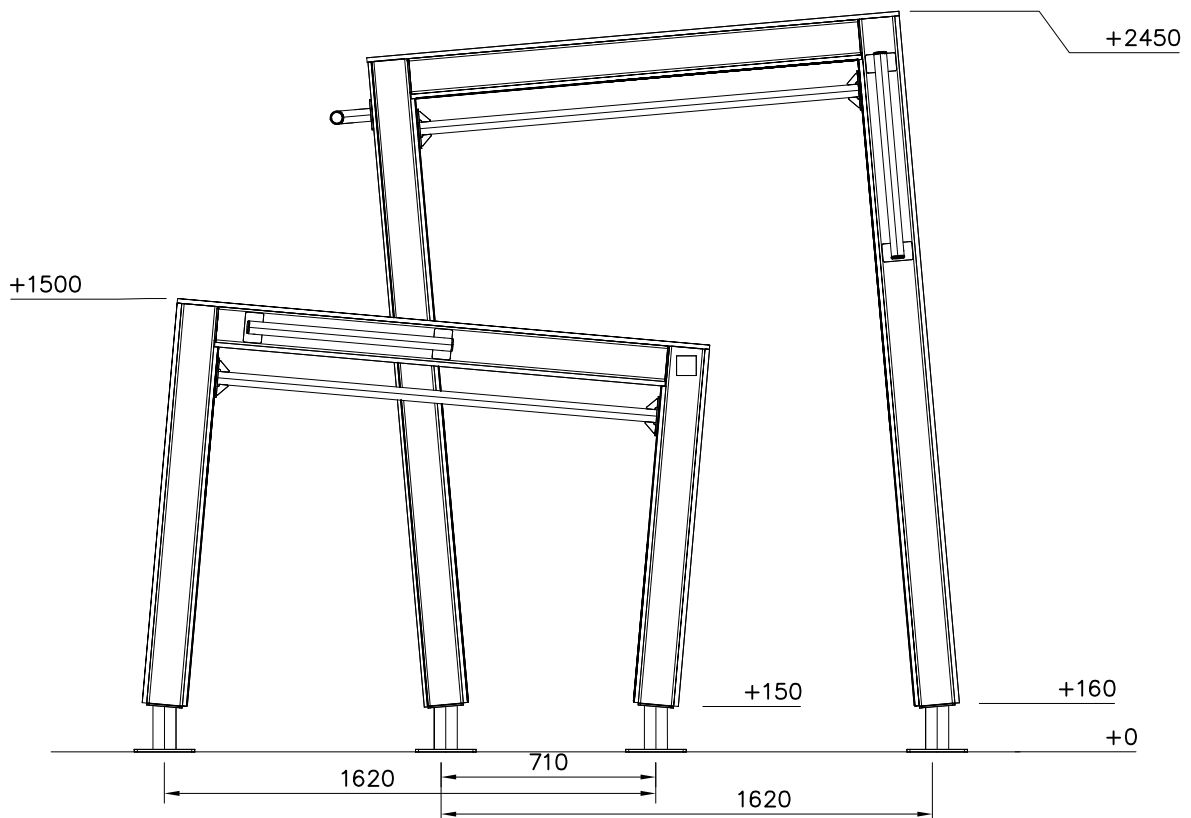




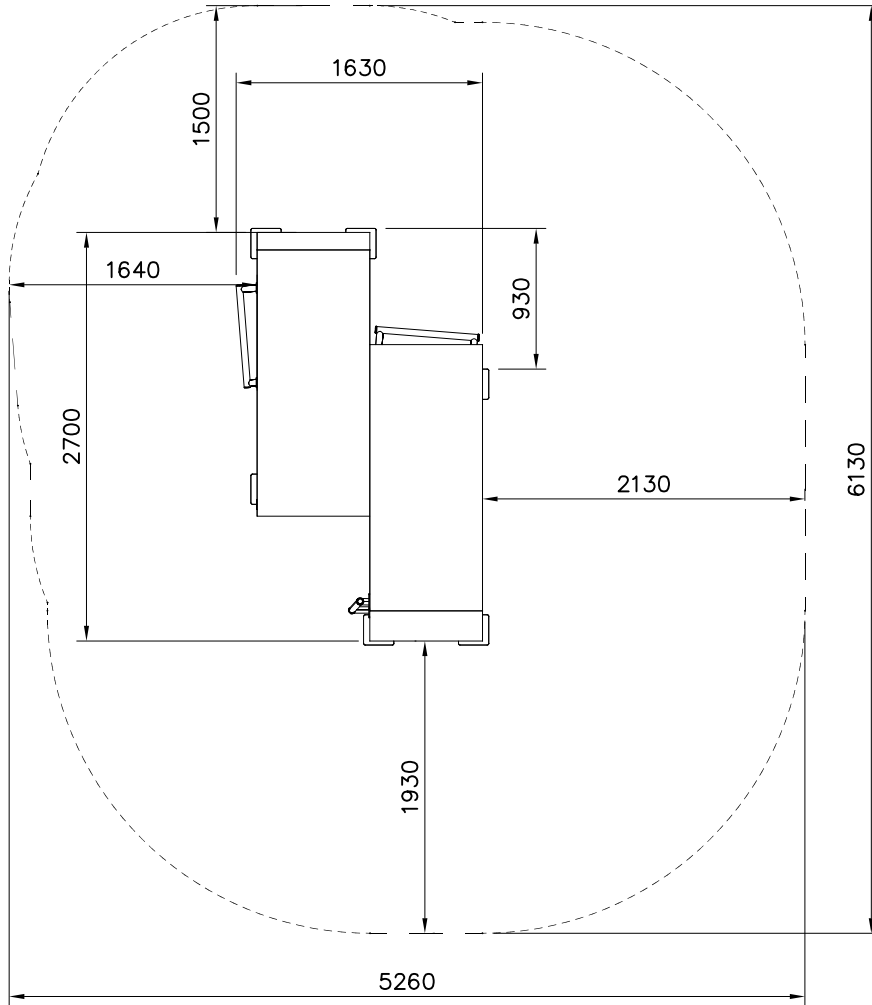
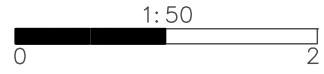
① 707210 118x118x503	PCS 8	② 707213 118x118x1490	PCS 4
③ 708042 118x118x1185	PCS 2	④ 708125 118x118x1326	PCS 2
⑤ 708522 118x118x2139	PCS 2	⑥ 708688 118x118x2279	PCS 2
⑦ 708721 15x745x1766	PCS 2	⑧ 708722 15x745x2280	PCS 1
⑨ 708723 15x745x1185	PCS 1	⑩ 708724 15x745x1326	PCS 1
⑪ 708857 JIG 20x133x149	PCS 1	⑫ 900240 Ø8x70	PCS 100
⑬ 903093 Ø8x90	PCS 16	⑭ 903533 SRL12	PCS 6
⑮ 905103 PT-28/32-H	PCS 16	⑯ 905112 Ø22	PCS 16



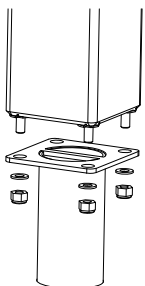
<p>17 908371 PCS 6</p>  <p>42-38/40</p>	<p>18 908698 PCS 16</p>  <p>3x114x108</p>	<p>19 910056 PCS 3</p>  <p>140x690</p>	<p>20 910266 PCS 8</p>  <p>90x108x118</p>	<p>21 702286 PCS 1</p>  <p>65x65</p>	<p>22 910328 PCS 3</p>  <p>L 1466</p>		
<p>23 980100 PCS 96</p>  <p>Ø5x60</p>	<p>24 980123 PCS 106</p>  <p>Ø7x60</p>	<p>25 911297 MURAL PCS 1</p>  <p>12x745x2140</p>	<p>26 911293 COLOR PCS 1</p>  <p>15x745x2145</p>	<p>27 911295 COLOR PCS 1</p>  <p>15x745x2004</p>	<p>28 911301 COLOR PCS 1</p>  <p>15x745x1495</p>		
<p>29 911103 COLOR PCS 1</p>  <p>15x745x1495</p>	<p>30 911305 COLOR PCS 1</p>  <p>15x745x1192</p>	<p>31 911307 COLOR PCS 1</p>  <p>15x745x1050</p>	<p>32 905086 PCS 2</p>  <p>Ø44/13.5x3.9</p>	<p>33 909132 PCS 1</p>  <p>M12x280</p>	<p>34 909248 PCS 1</p>  <p>M12</p>		
<p>35 980114 PCS 4</p>  <p>Ø4x20</p>	<p>FOOT OPTIONS</p> <p>709261+ 709262+</p> <table border="1"> <tbody> <tr> <td> <p>910267 SURFACE PCS 8</p>  <p>152x200x200</p> </td> <td> <p>910567 CONCRETE PCS 8</p>  <p>117x117x715</p> </td> </tr> </tbody> </table>					<p>910267 SURFACE PCS 8</p>  <p>152x200x200</p>	<p>910567 CONCRETE PCS 8</p>  <p>117x117x715</p>
<p>910267 SURFACE PCS 8</p>  <p>152x200x200</p>	<p>910567 CONCRETE PCS 8</p>  <p>117x117x715</p>						



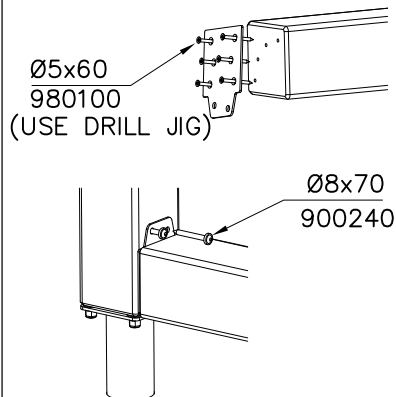
- EN Impact Attenuating Surface (IAS) 27.6 m²
- - - Falling Space 27.6 m²
- Max Falling Height 2450 mm



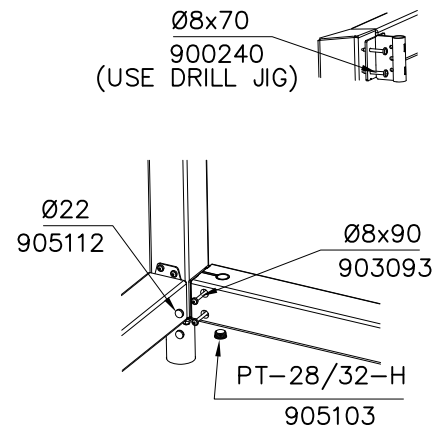
DET 1



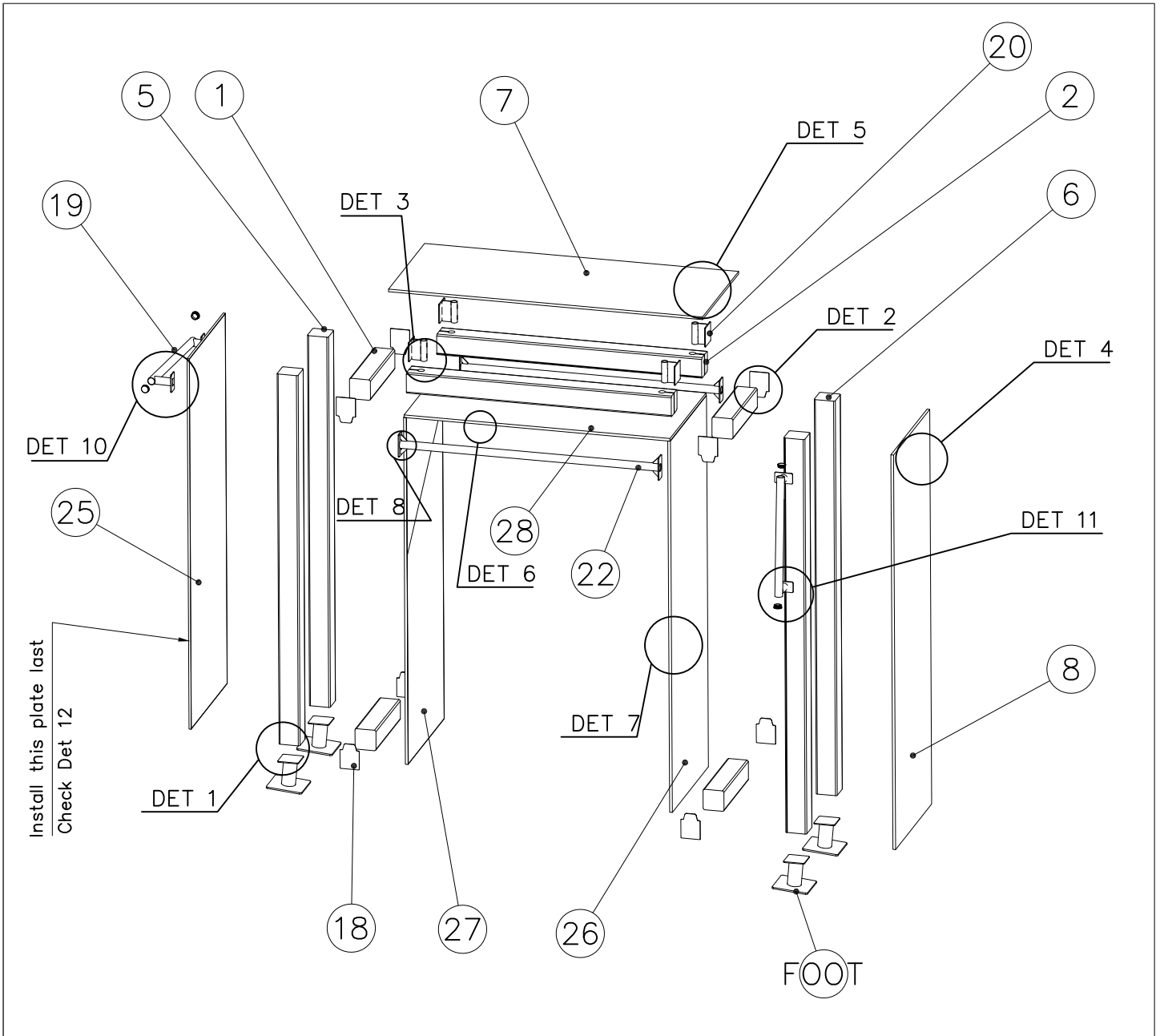
DET 2



DET 3



<p>DET 4</p> <p>Ø7x60 980123</p>	<p>DET 5</p> <p>Ø7x60 980123</p>	<p>DET 6</p> <p>Ø7x60 980123</p>
<p>DET 7</p> <p>SRL12 903533</p> <p>Ø7x60 980123</p>	<p>DET 8</p> <p>Ø8x70 900240</p>	<p>DET 9 DRILL PREHOLES Ø6mmBEFORE INSTALLING HANDLES</p> <p>42-38/40 908371</p> <p>Ø8x70 900240</p>
<p>DET 10</p> <p>42-38/40 908371</p> <p>Ø8x70 900240</p>	<p>DET 11 DRILL PREHOLES BEFORE INSTALLING HANDLES</p> <p>Ø8x70 900240</p> <p>42-38/40 908371</p>	



JIG DET A (USE DET 2-3)

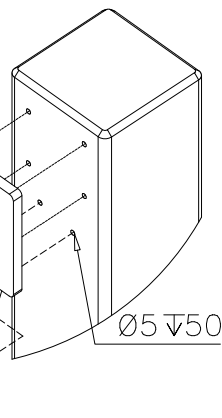
NOTE:

Use drill jig 708857 to predrill $\text{Ø}5 \nabla 50$ holes for 910266 and 908698

708857

910266

908698



JIG DET B (USE DET 11)

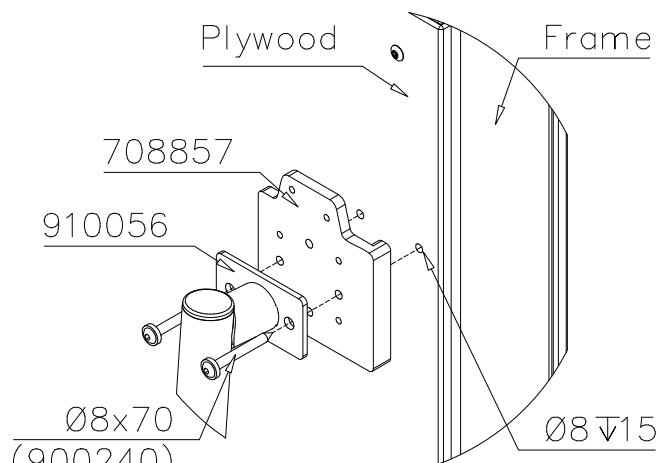
Plywood Frame

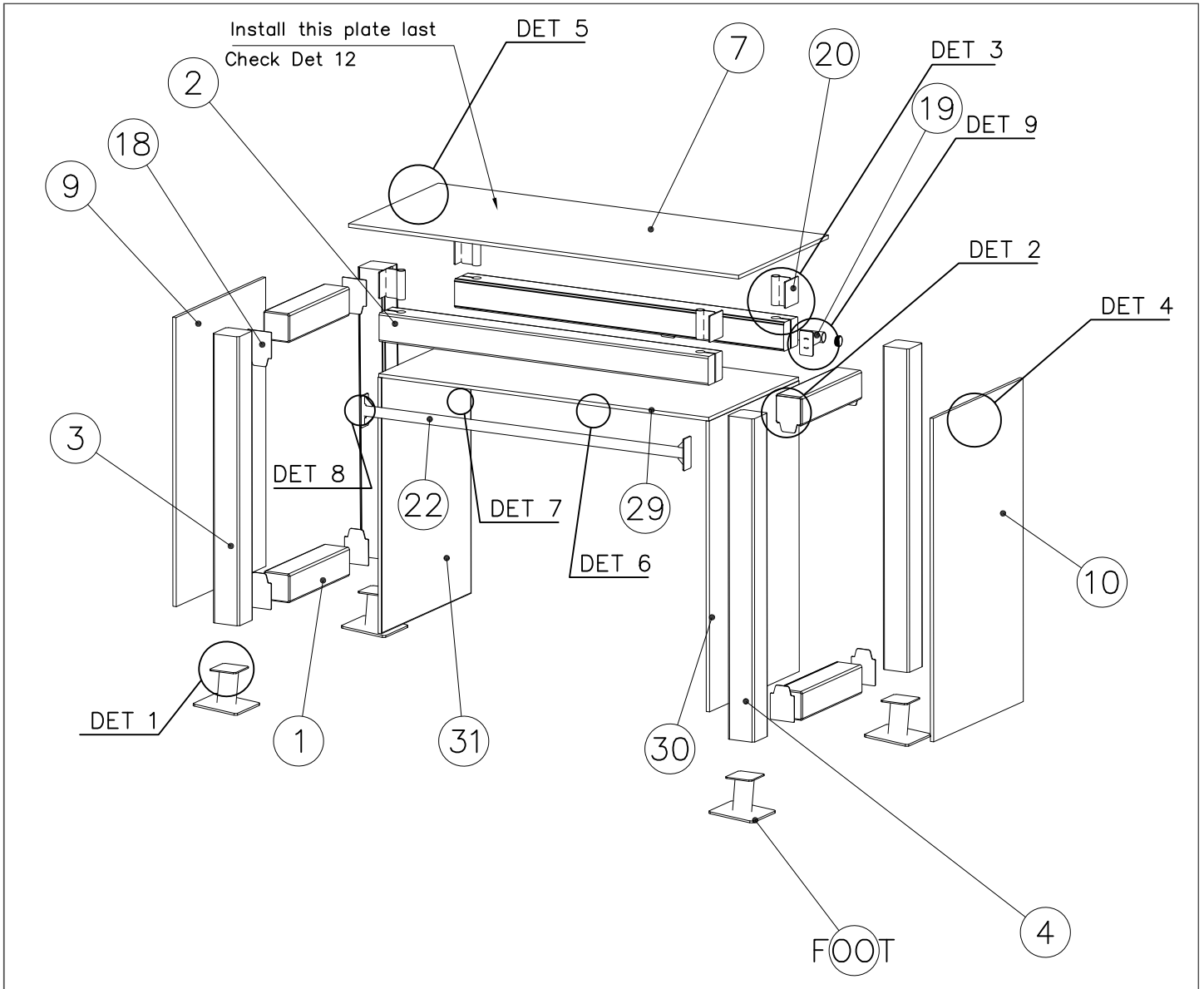
708857

910056

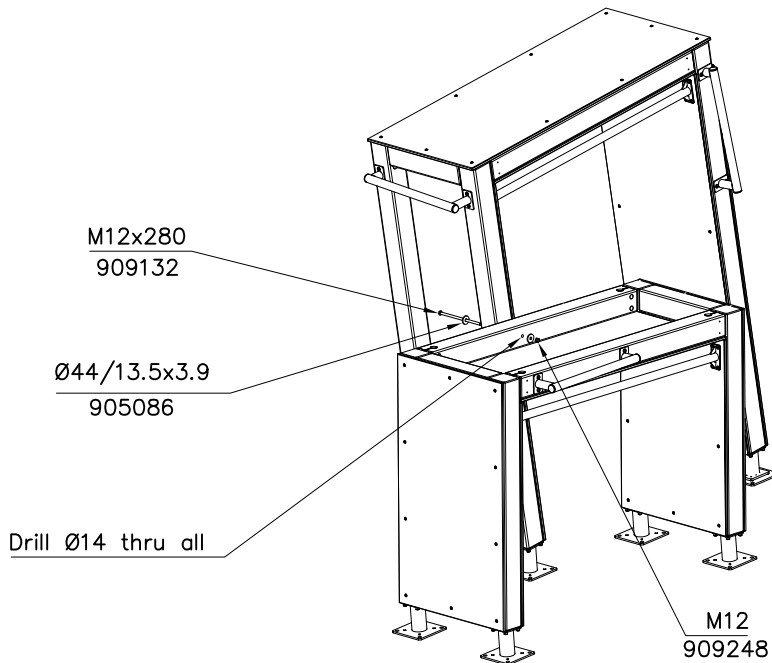
$\text{Ø}8 \times 70$
(900240)

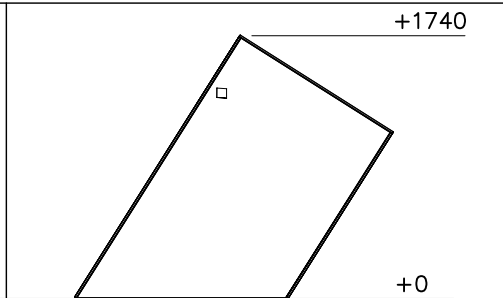
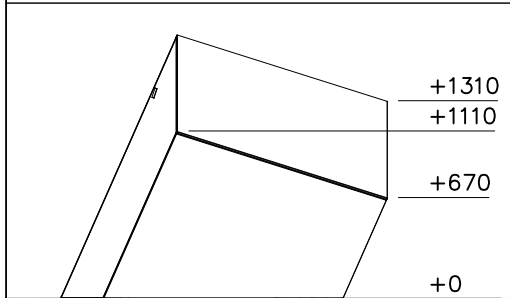
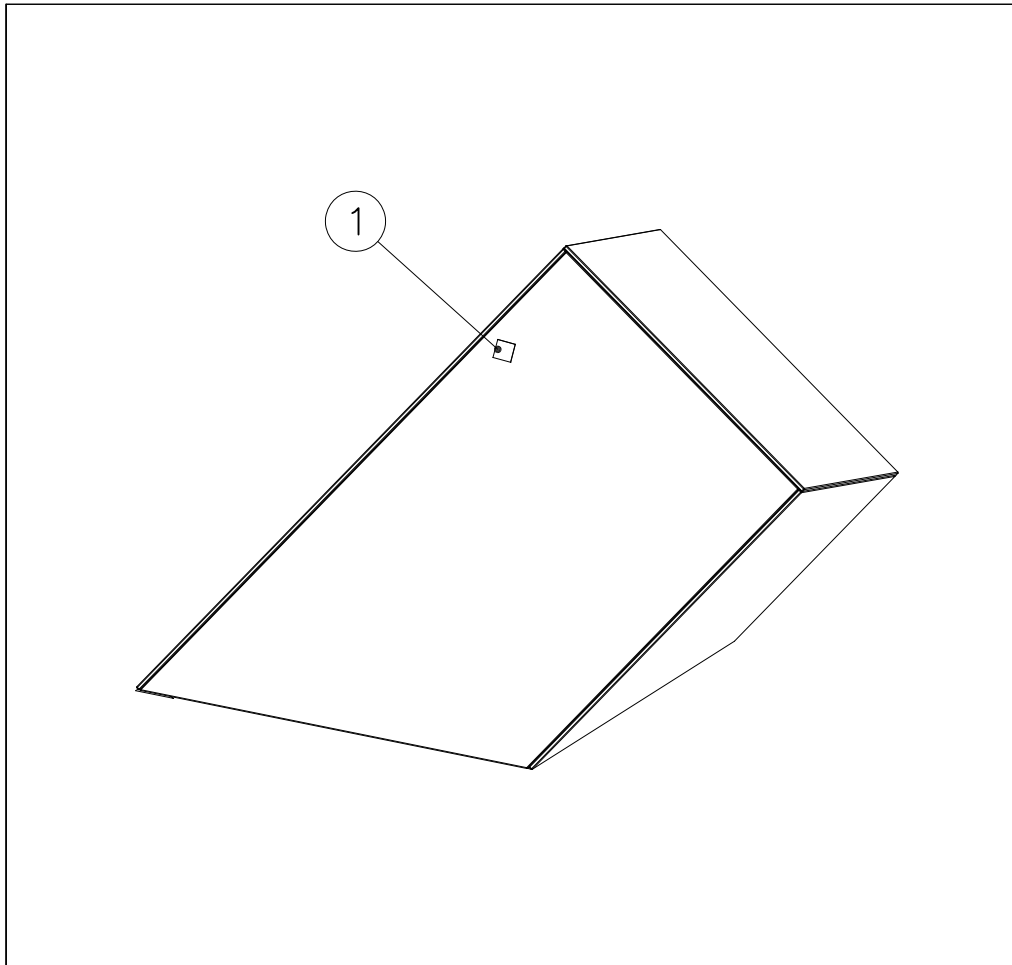
$\text{Ø}8 \nabla 15$

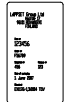
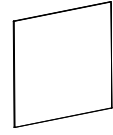
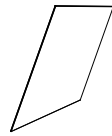
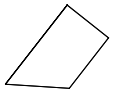

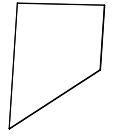


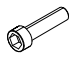

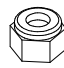


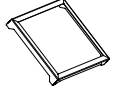
















DET 12

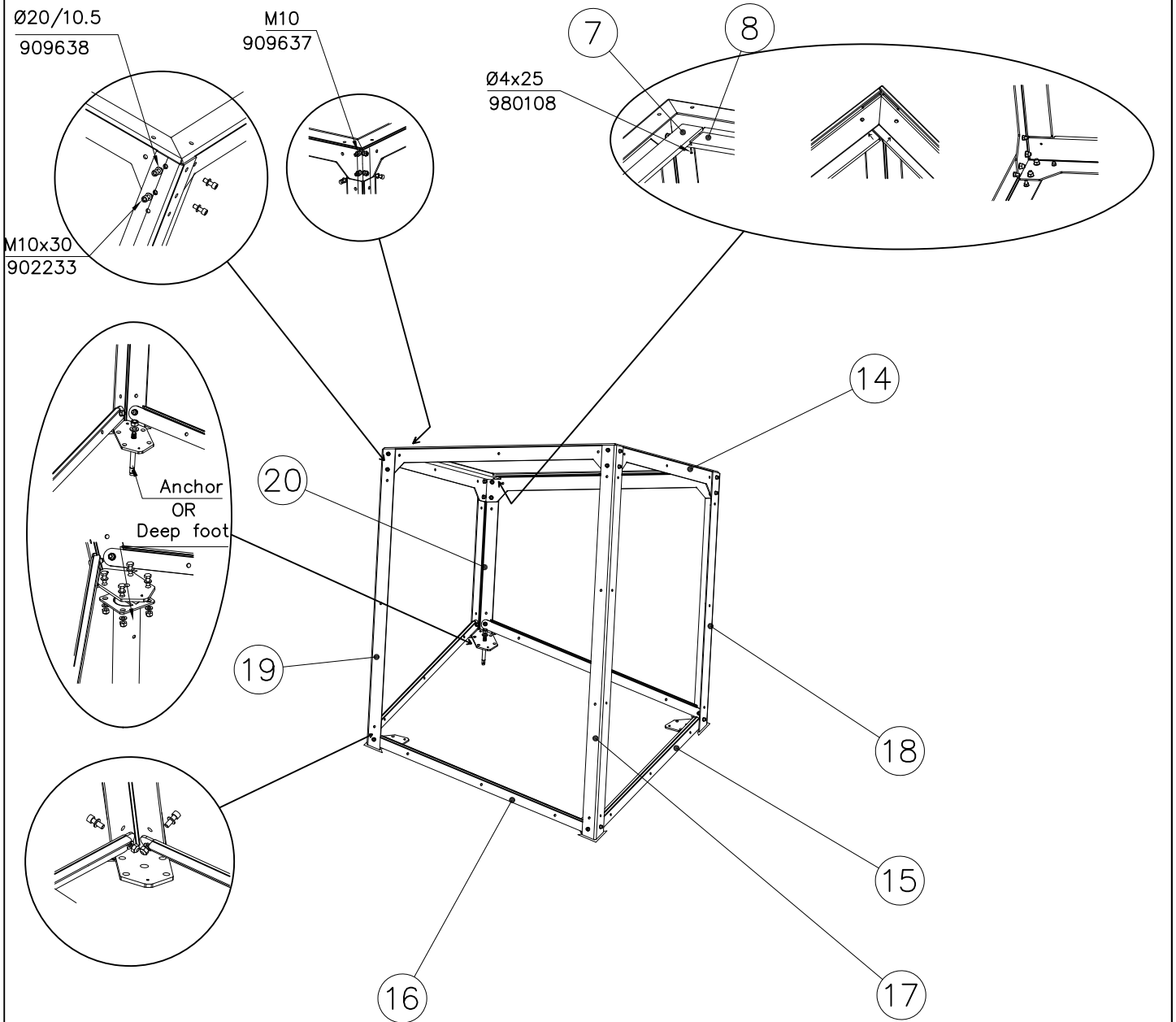


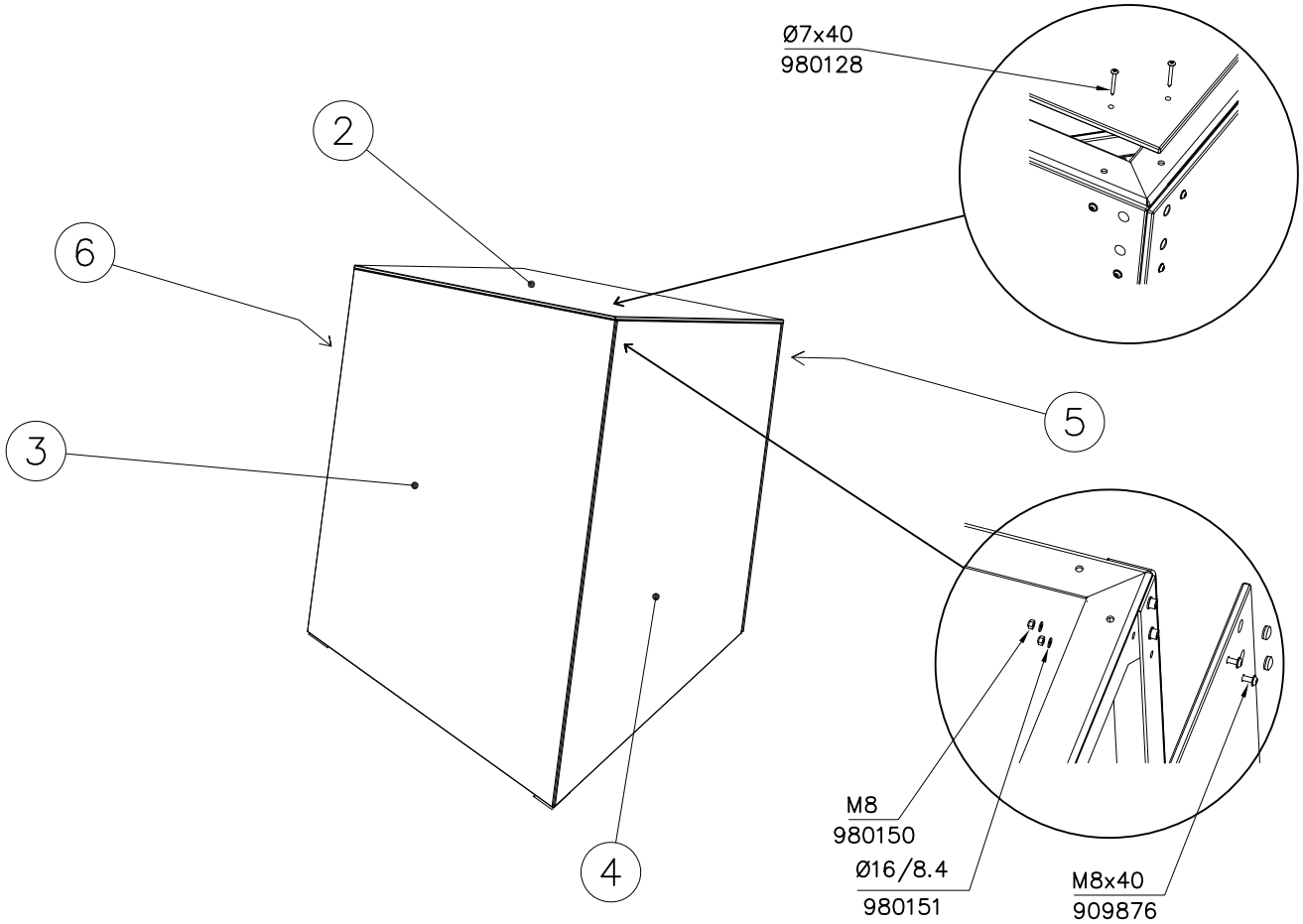


① 702341  90x50	PCS 1	② 709159  15x1200x1486	PCS 1
③ 709160  15x1486x2174	PCS 1	④ 709161  15x1170x2170	PCS 1
⑤ 709162  15x1376x1486	PCS 1	⑥ 709163  15x1170x1620	PCS 1
⑦ 709164  18x80x1135	PCS 2	⑧ 709165  18x80x1420	PCS 2
⑨ 902233  M10x30	PCS 24	⑩ 905112  Ø22	PCS 24
⑪ 909637  M10	PCS 24	⑫ 909638  Ø20/10.5	PCS 48
⑬ 909876  M8x40	PCS 48	⑭ 910744  154x1160x1445	PCS 1

⑮ 910768  30x60x1349	PCS 2	⑯ 910769  30x60x1504	PCS 2	⑰ 910793  L 2158	PCS 1	⑱ 910794  L 1425	PCS 1	⑲ 910795  L 1646	PCS 1	⑳ 910796  L 884	PCS 1
---	----------	---	----------	---	----------	--	----------	---	----------	--	----------

②①	980108	PCS	②②	980128	PCS	②③	980150	PCS	②④	980151	PCS	FOOT OPTION					
		4			12			48			48	709387+					
	Ø4x25			Ø7x40			M8			Ø16/8.4		○	709386	PCS	○	910567	PCS
													SURFACE	1		CONCRETE	4
																	
													M16x170		117x117x715		

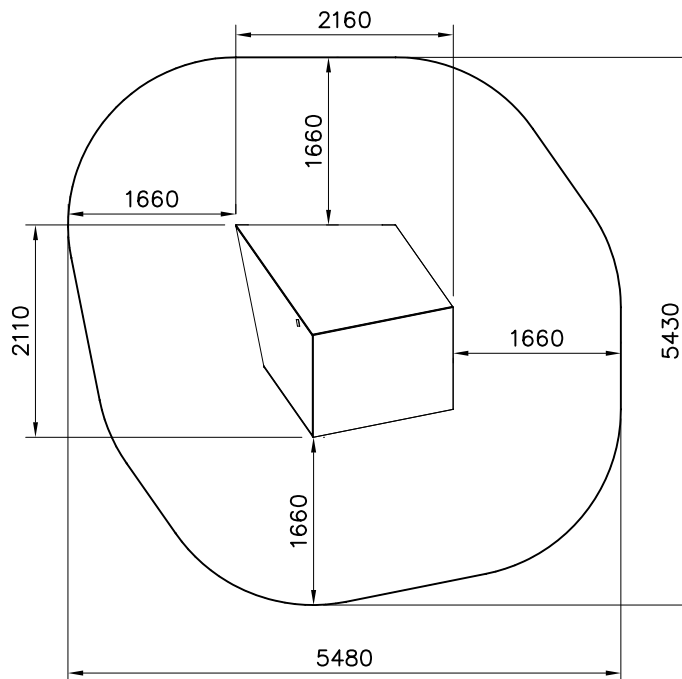
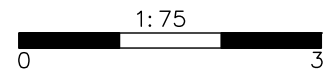


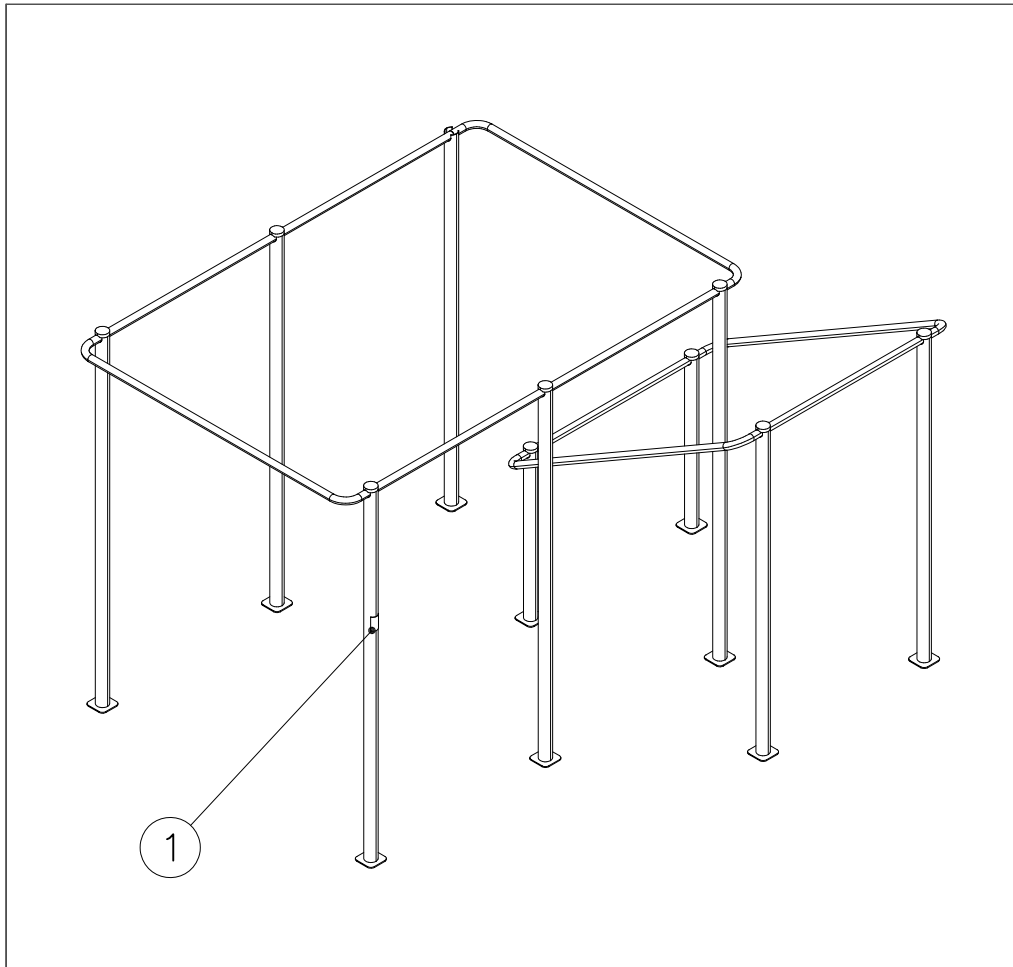


—— EN Impact Attenuating Surface (IAS) 24.4 m²

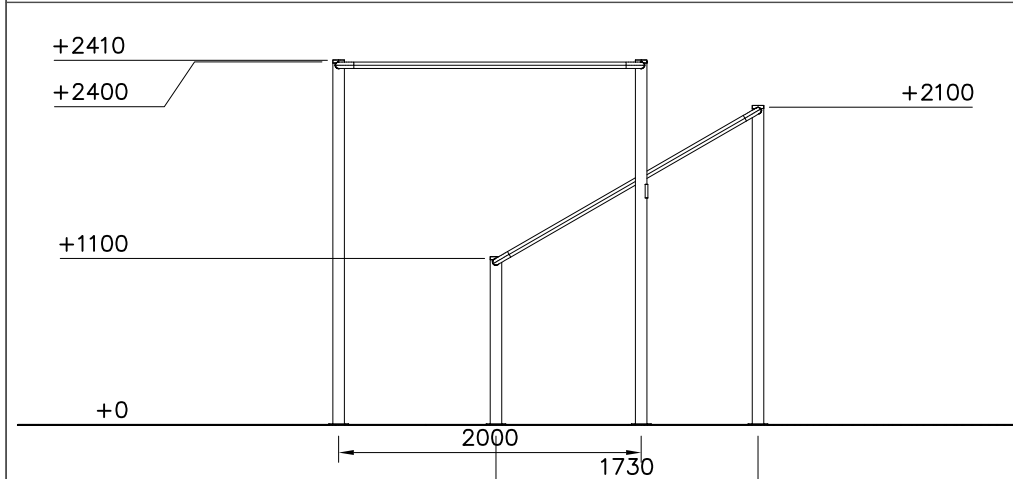
---- Falling Space 24.4 m²

Max Falling Height 1740 mm

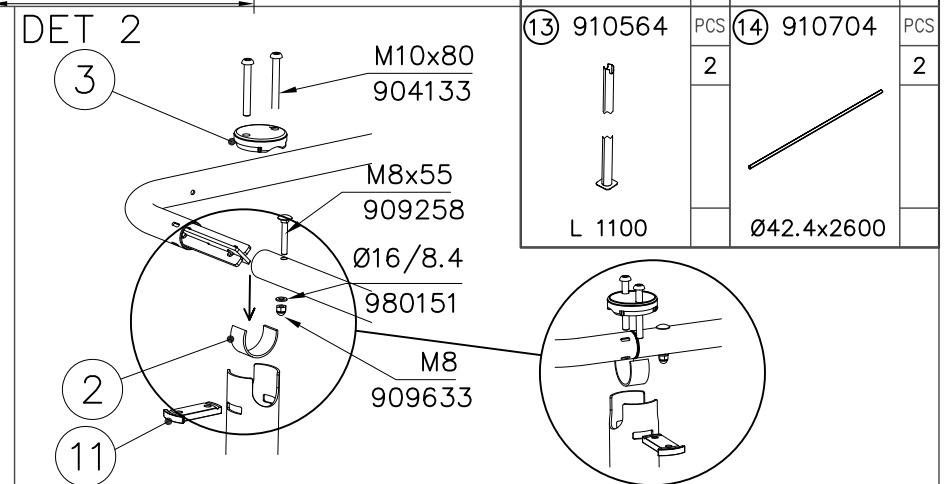
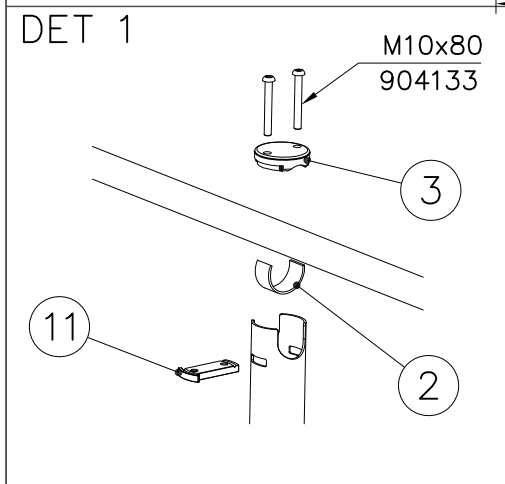


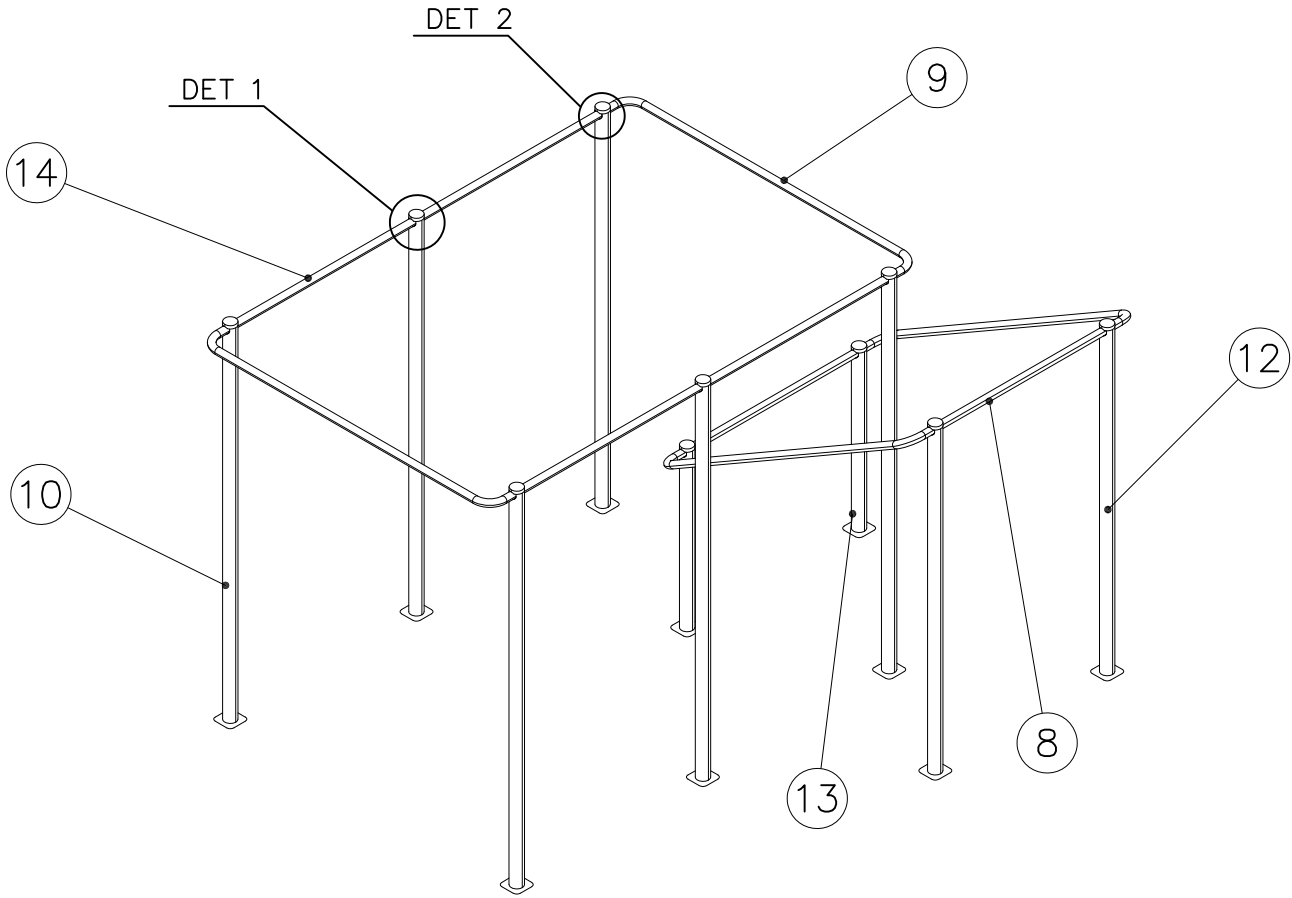


① 702341 90x50	PCS 1	② 704879 3x30x120mm	PCS 10
③ 708880 Ø77x20	PCS 10	④ 980151 Ø16/8.4	PCS 8
⑤ 904133 M10x80	PCS 20	⑥ 909258 M8x55	PCS 8
⑦ 909633 M8	PCS 8	⑧ 910547 Ø42.4x1200	PCS 2



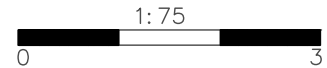
⑨ 910549 Ø42.4x286x2042	PCS 4	⑩ 910556 L 2400	PCS 6
⑪ 910557 10x45x87	PCS 10	⑫ 910563 L 2100	PCS 2





—— EN Impact Attenuating Surface (IAS) 45.7 m²

----- Falling Space 45.7 m²
Max Falling Height 2410 mm

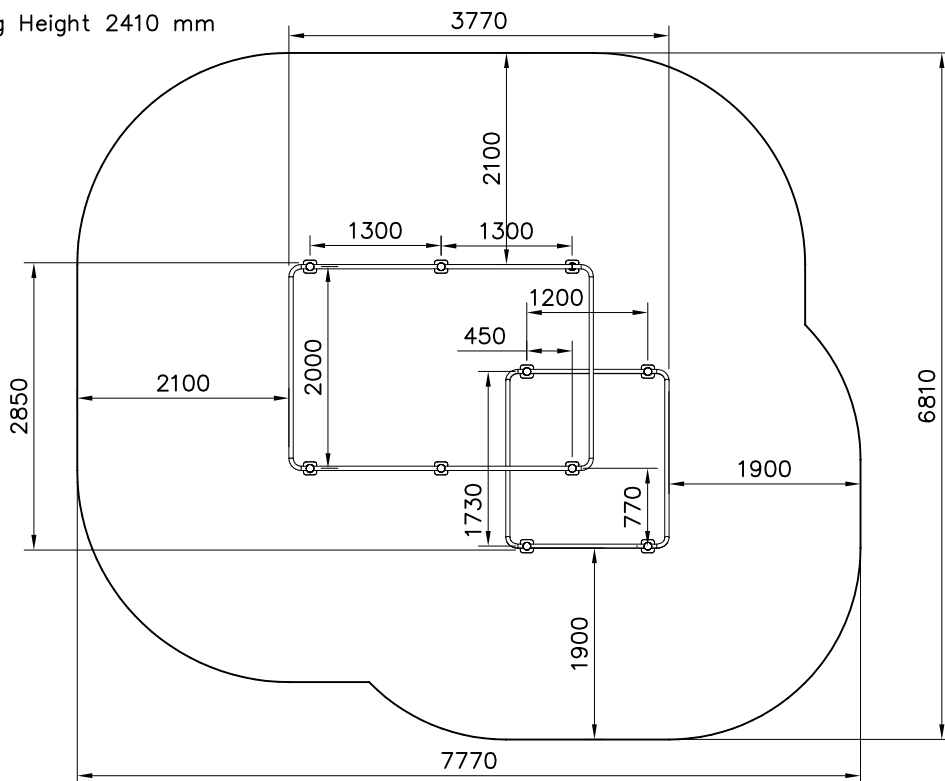


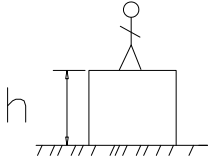
INSTALLING FOR SURFACE MOUNTING

	709396	PCS
		10

FOOT OPTION FOR DEEP MOUNTING

	709397+	PCS
	910562	10
	L 600	





$h < 1600$

Totally hard surfaces or materials with very limited impact attenuating properties.

Case by case risk assessment is needed including e.g. evaluation whether there is forced movement, what is the intended exercise and where will the product be installed.

Materials with significant impact attenuating properties.

Totally hard surfaces.
E.g. concrete or asphalt



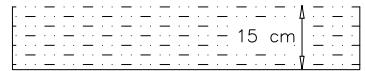
Materials with very limited impact attenuating properties.
E.g. wood



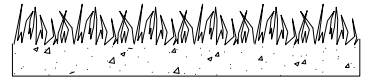
fine gravel 0–8 mm



Unsorted sand/ topsoil



Lawn

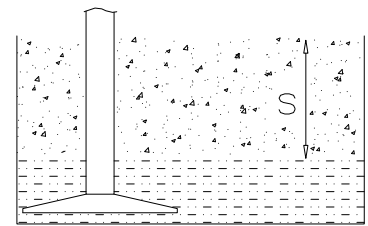


$h = 1600-$

$h < 3000$

Loose fill material

E.g.
sand/gravel 0,25...8 mm $D_{60}/D_{10} < 3,0$
Woodchips 5...30 mm
bark 20...80 mm



$\frac{S}{30 \text{ cm}}$ $\frac{h}{< 3,0 \text{ m}}$

Synthetic granulates

$\frac{S}{\text{mm}}$	$\frac{h}{\text{m}}$
40 mm	$\sim > 1,6 \dots \sim < 1,8$ m
50 mm	$\sim > 1,8 \dots \sim < 2,25$ m
55 mm	$\sim > 2,25 \dots \sim < 2,4$ m
60 mm	$\sim > 2,4 \dots \sim < 2,55$ m
70 mm	$\sim > 2,55 \dots \sim < 3,0$ m

Note. For accurate values, see manufacturer's instructions.

