

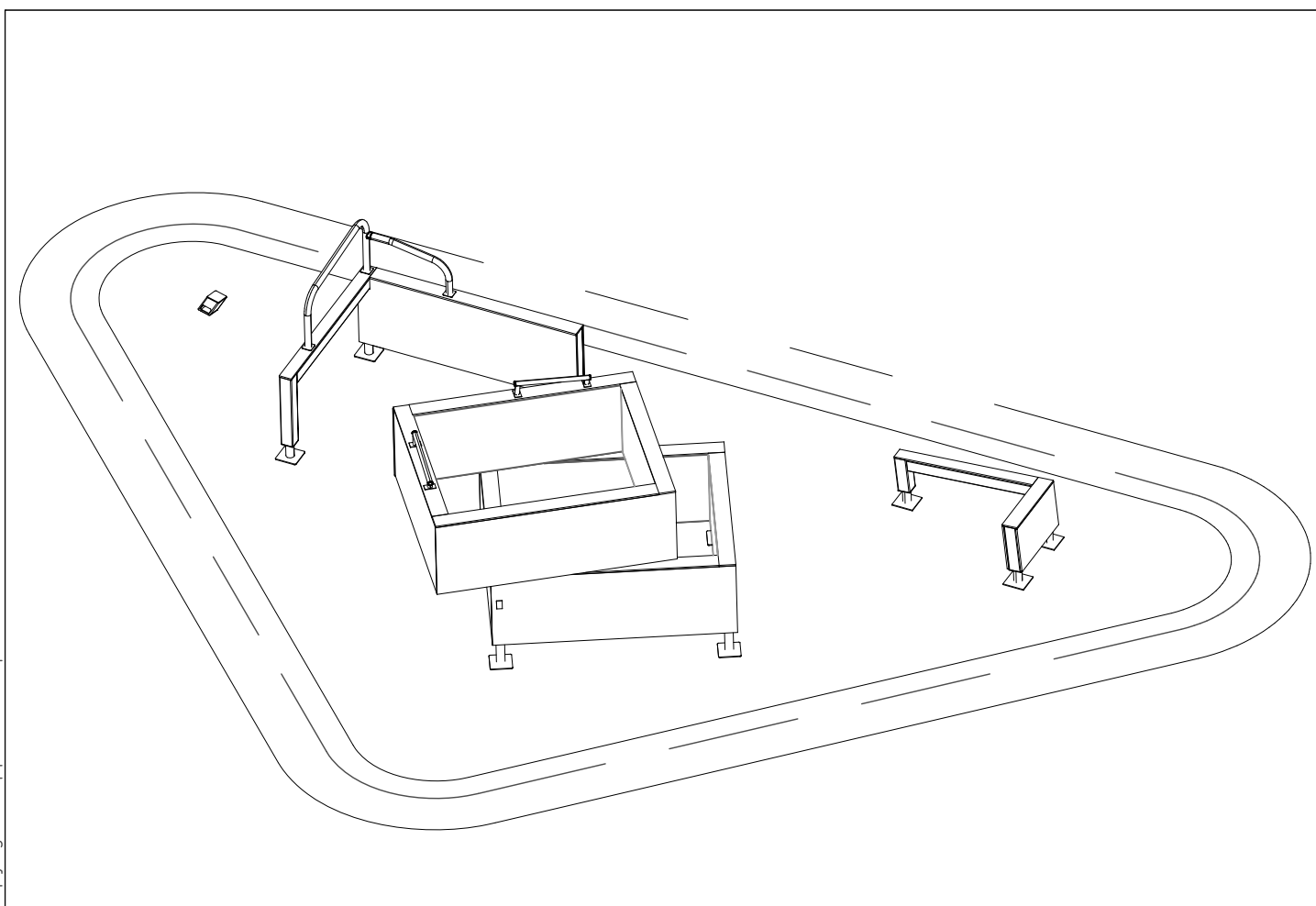
LAPPSET®

DASH PARKOUR

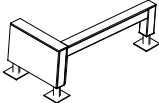

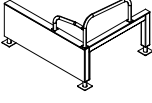
ASENNUSOHJE
MONTERINGSANSVISNING
INSTALLATION INSTRUCTION
AUFBAUANLEITUNG
NOTICE D'INSTALLATION

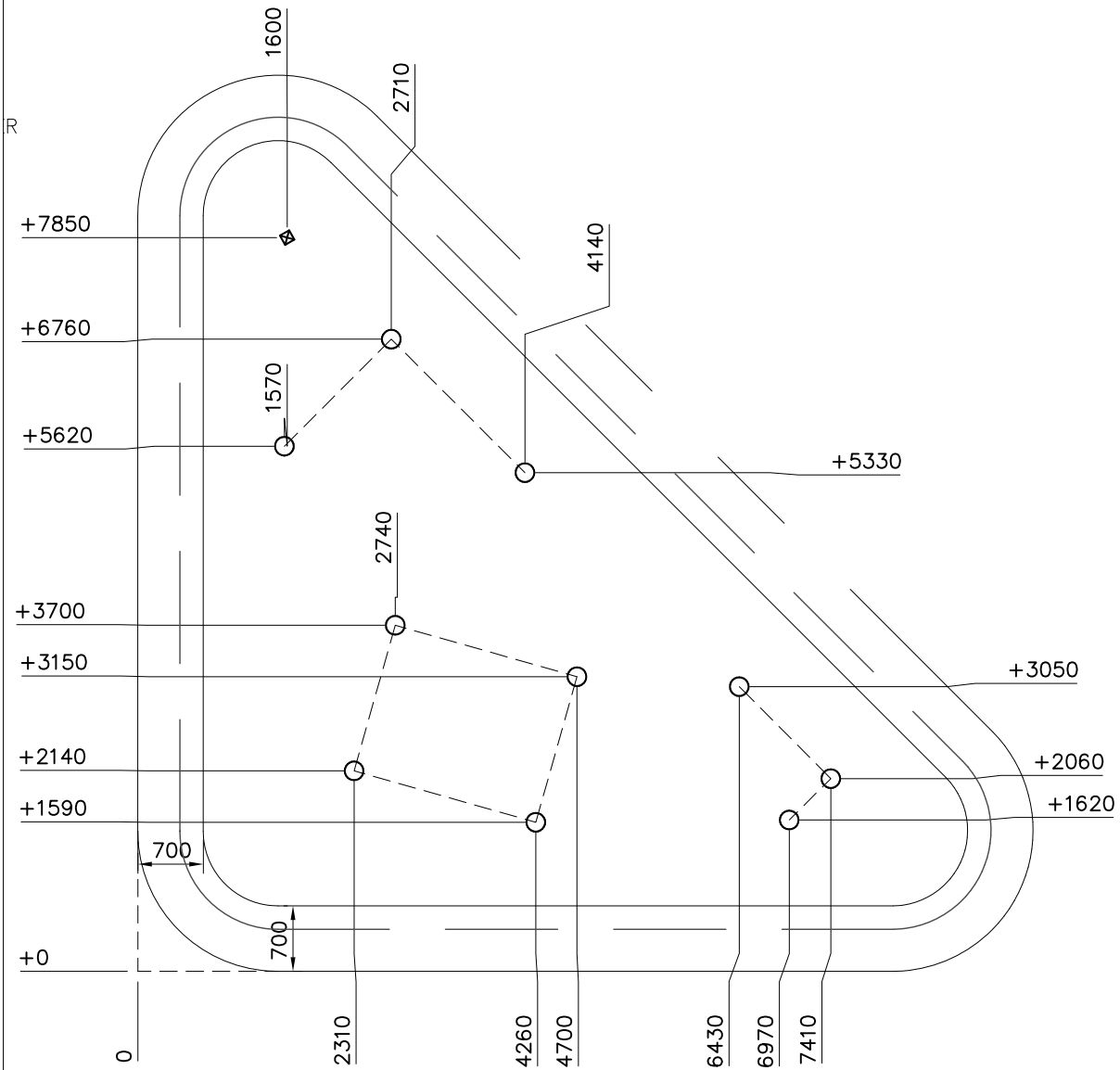
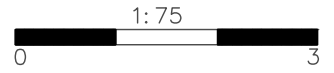
DATE: 24.2.2021

081763M

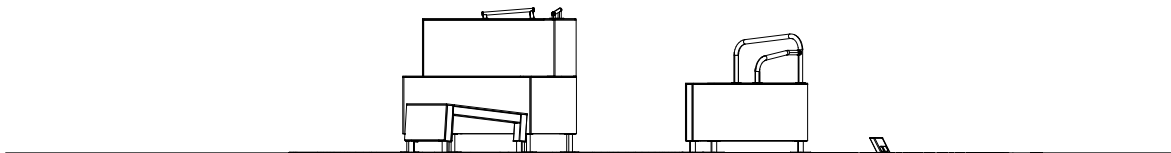
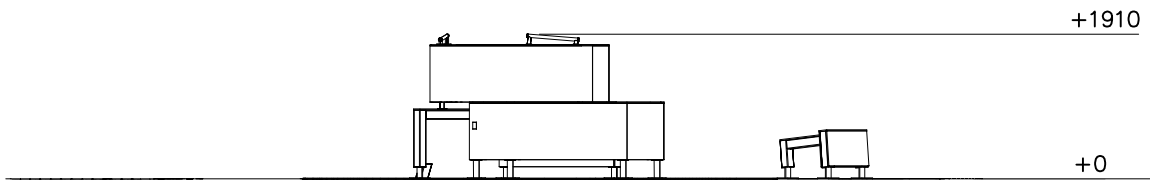
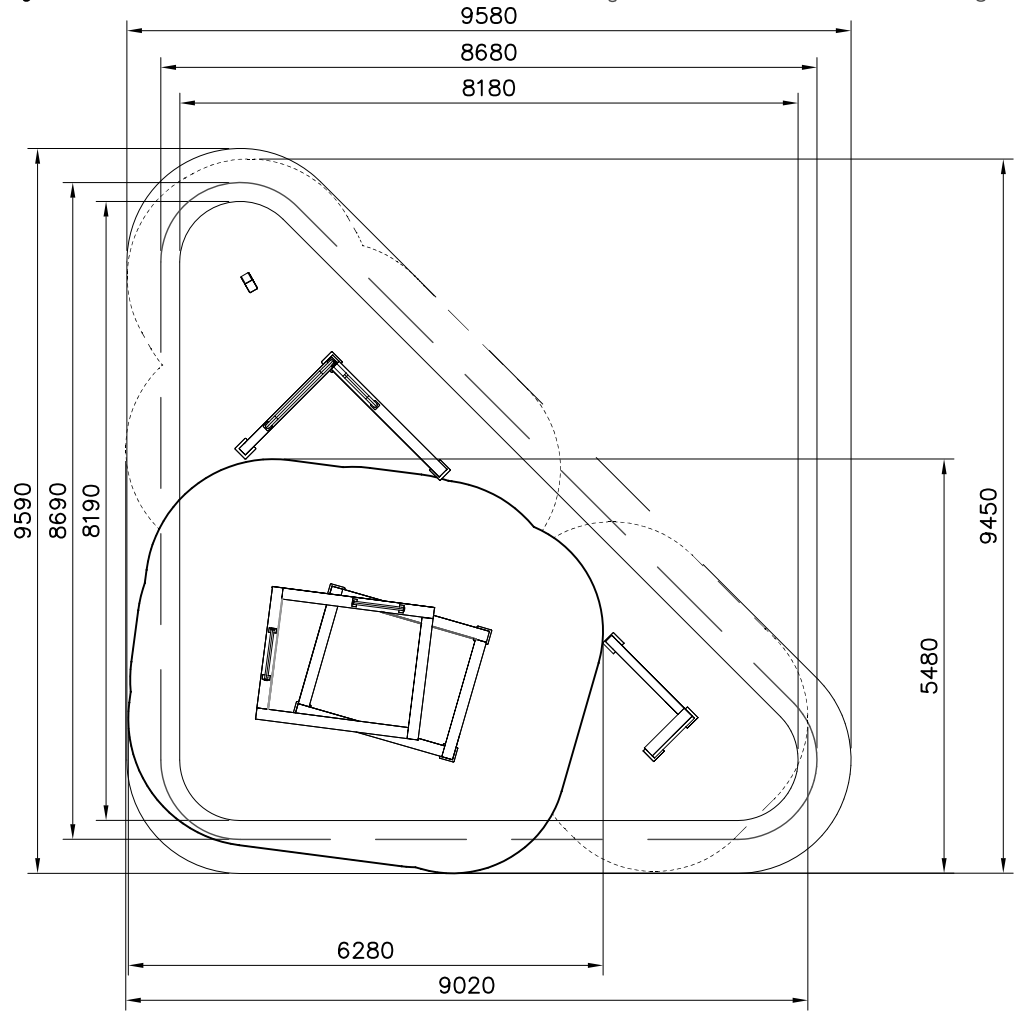


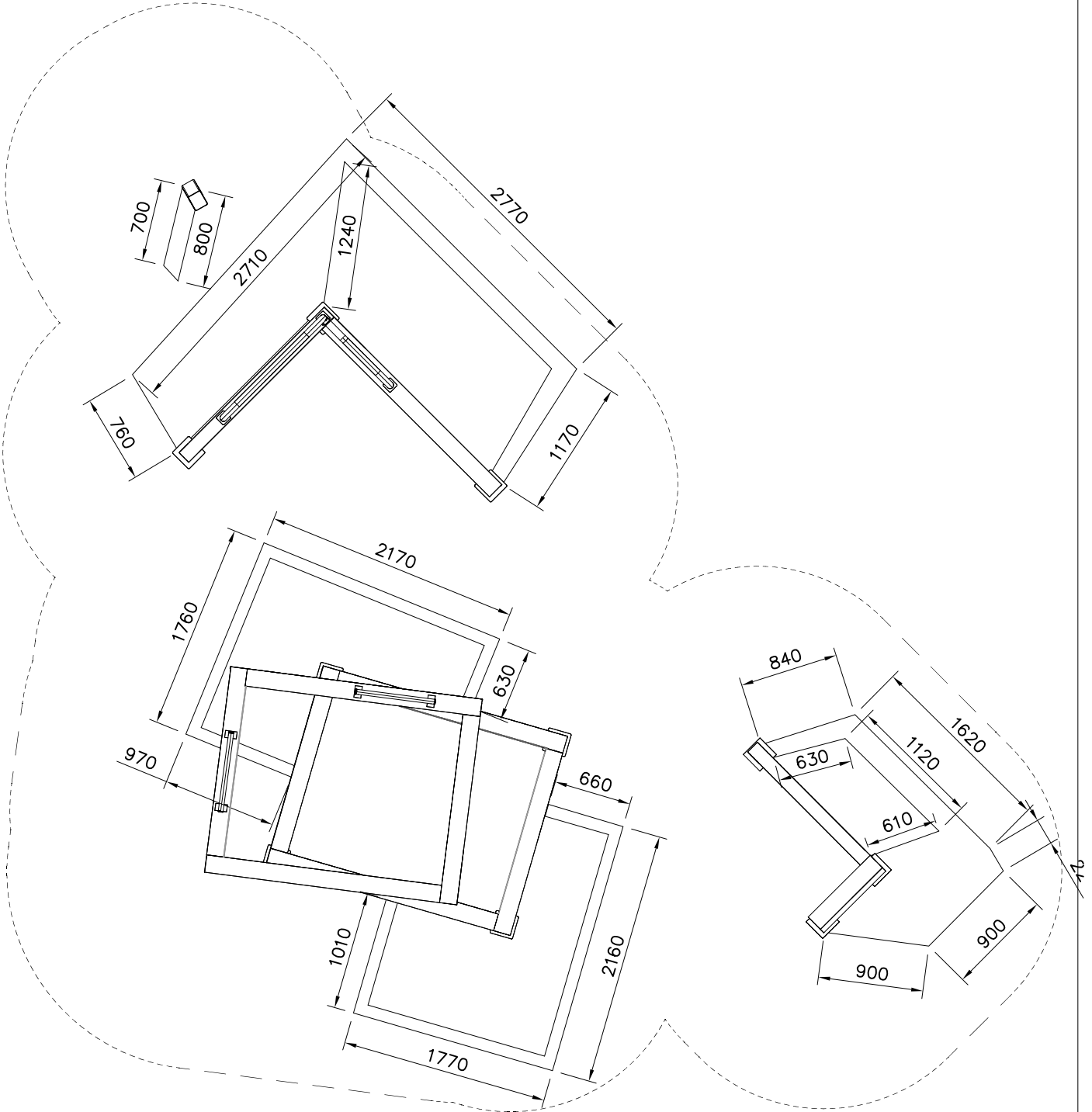
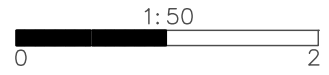
DATE: 24.2.2021

081700M  	PCS 1	081721M  	PCS 1	081727M  	PCS 1	081734M  	PCS 1		PCS		PCS
	PCS		PCS		PCS		PCS		PCS		PCS
	PCS		PCS		PCS		PCS		PCS		PCS
	PCS		PCS		PCS		PCS		PCS		PCS
	PCS		PCS		PCS		PCS		PCS		PCS
	PCS		PCS		PCS		PCS		PCS		PCS
	PCS		PCS		PCS		PCS		PCS		PCS

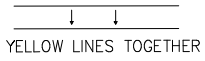


- EN Impact Attenuating Surface (IAS) 28.1 m²
- Falling Space 56 m²
- Max Falling Height 1910 mm

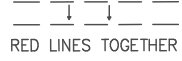




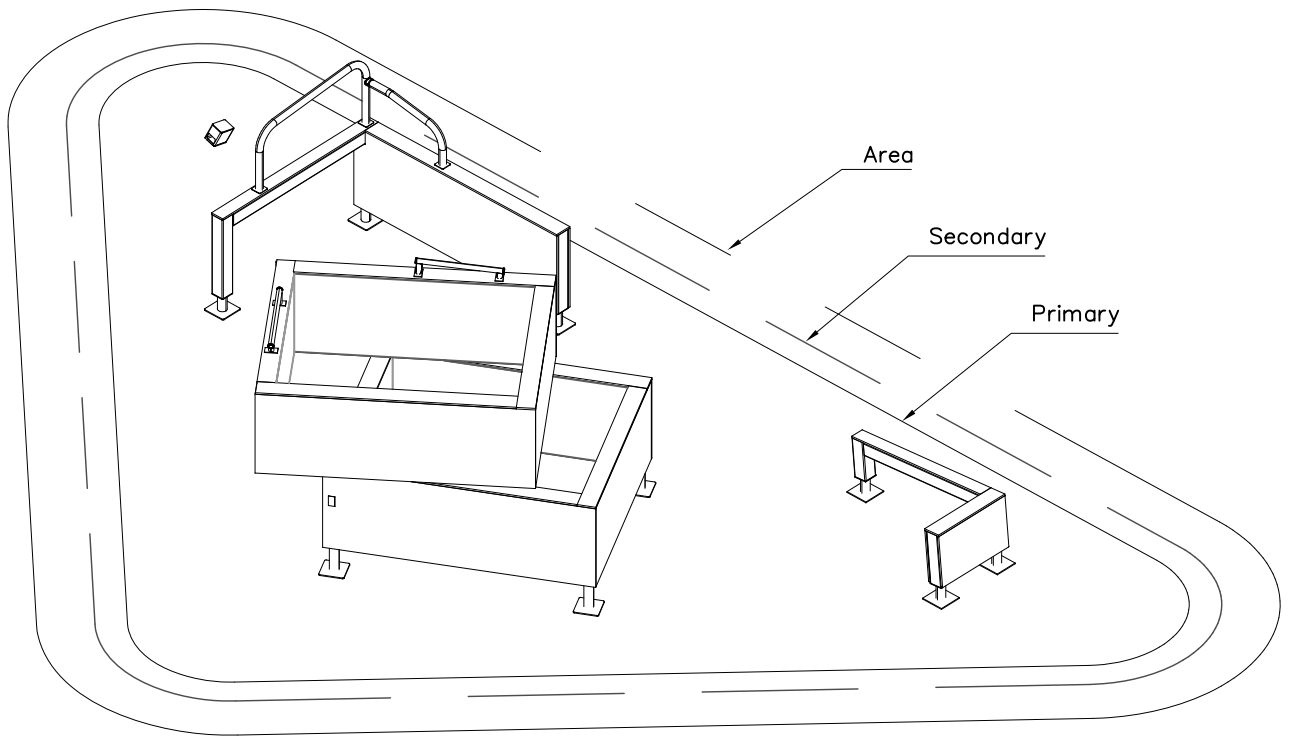
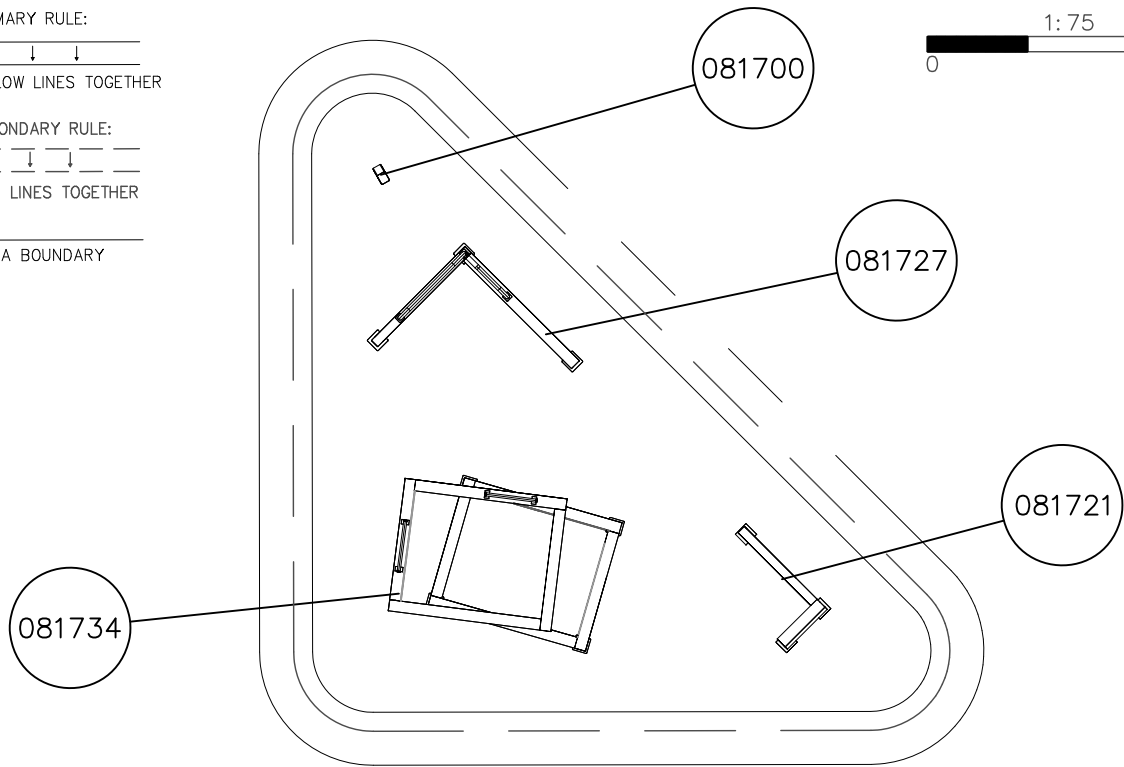
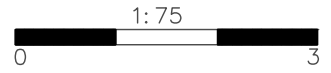
PRIMARY RULE:

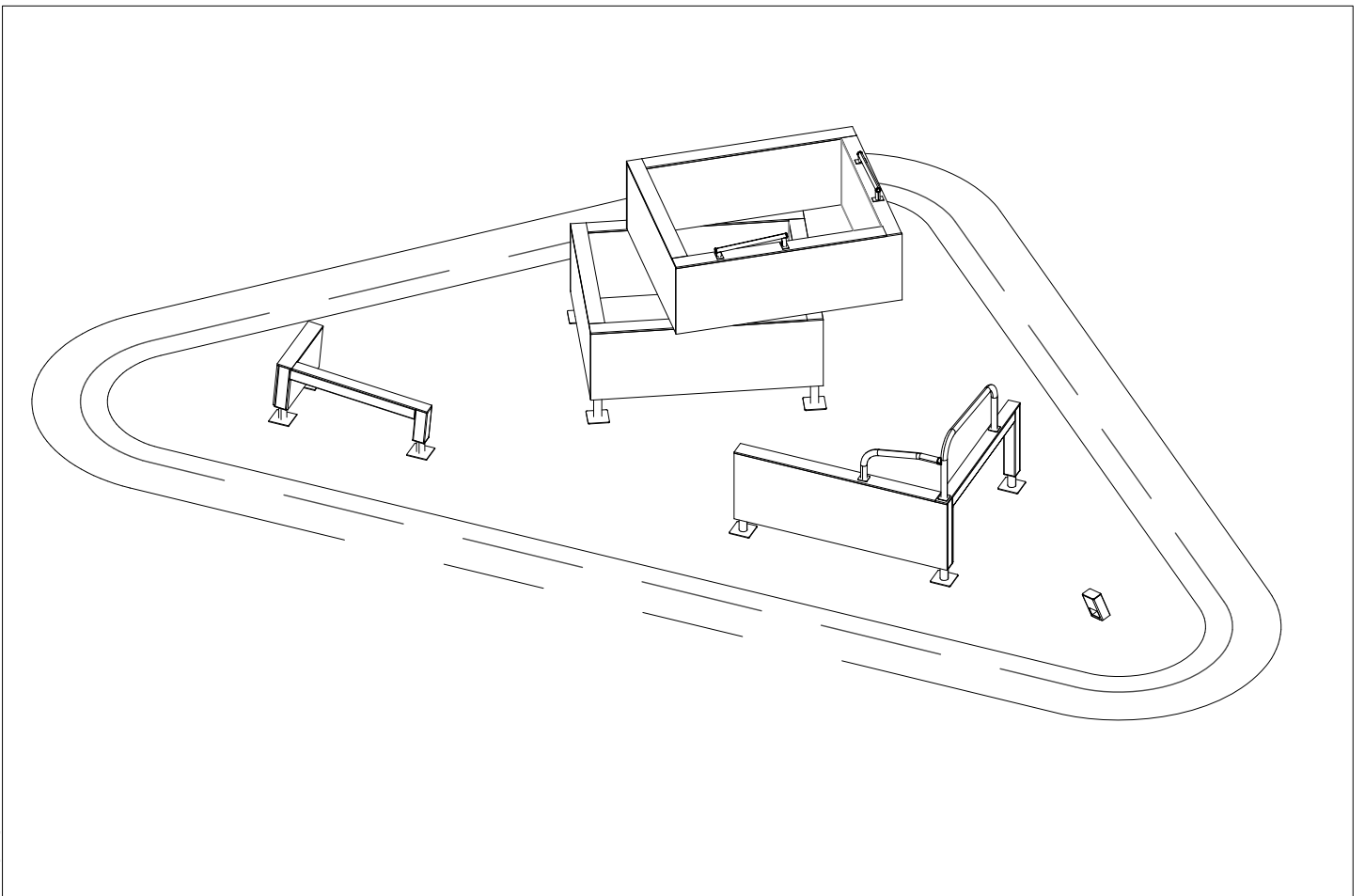
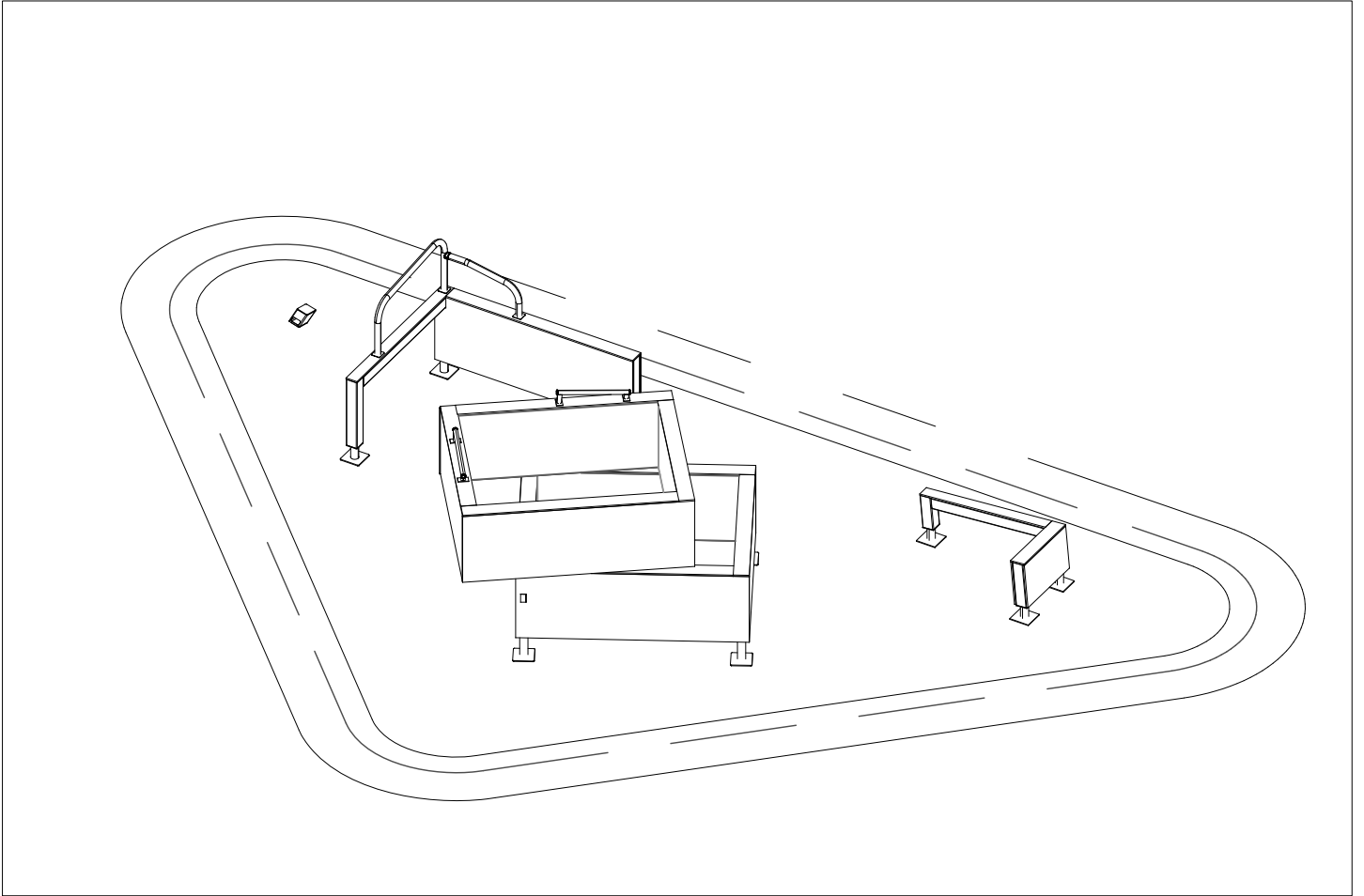


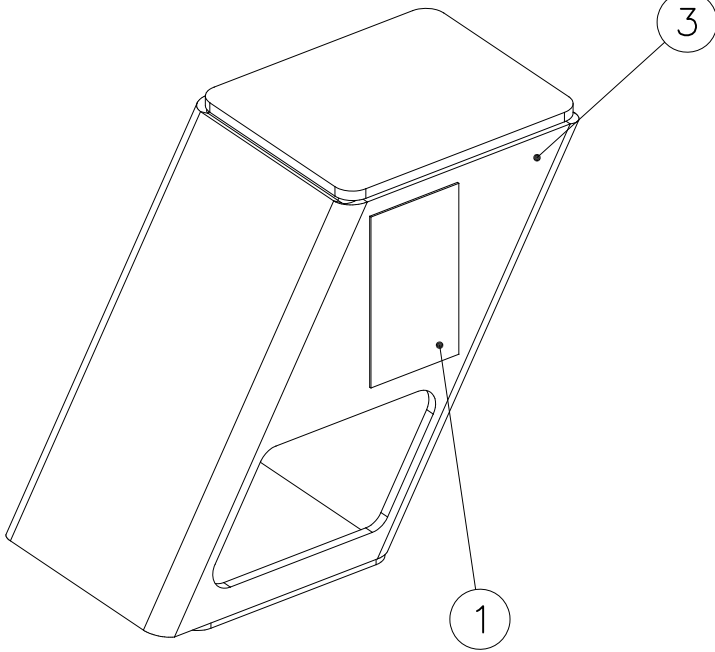
SECONDARY RULE:



AREA BOUNDARY





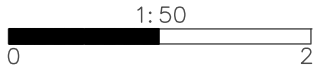
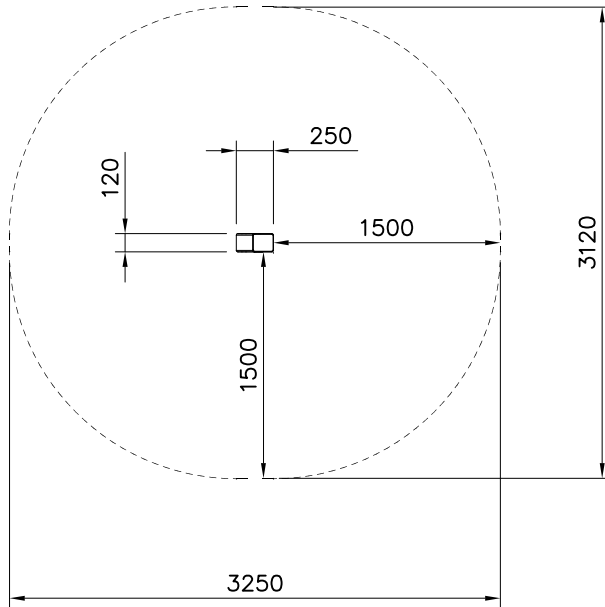
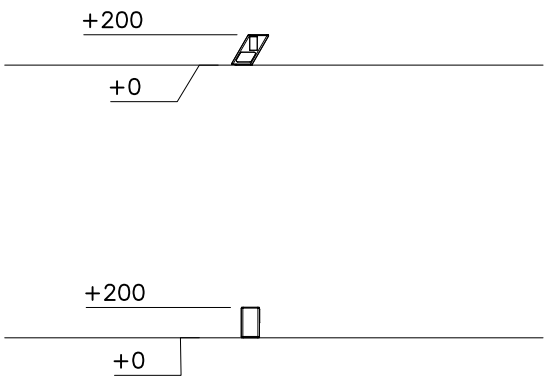


① 702341	PCS	② 709381	PCS
	1		2
90x50		SURFACE	
③ 910219	PCS	③ 910219	PCS
	1		1
120x120x200			

FOOT OPTION FOR DEEP MOUNTING

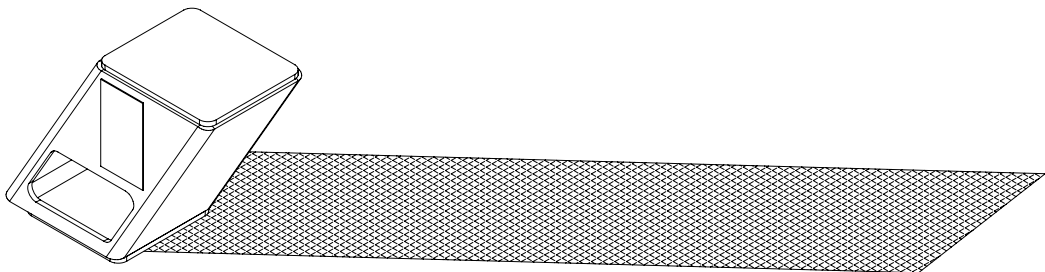
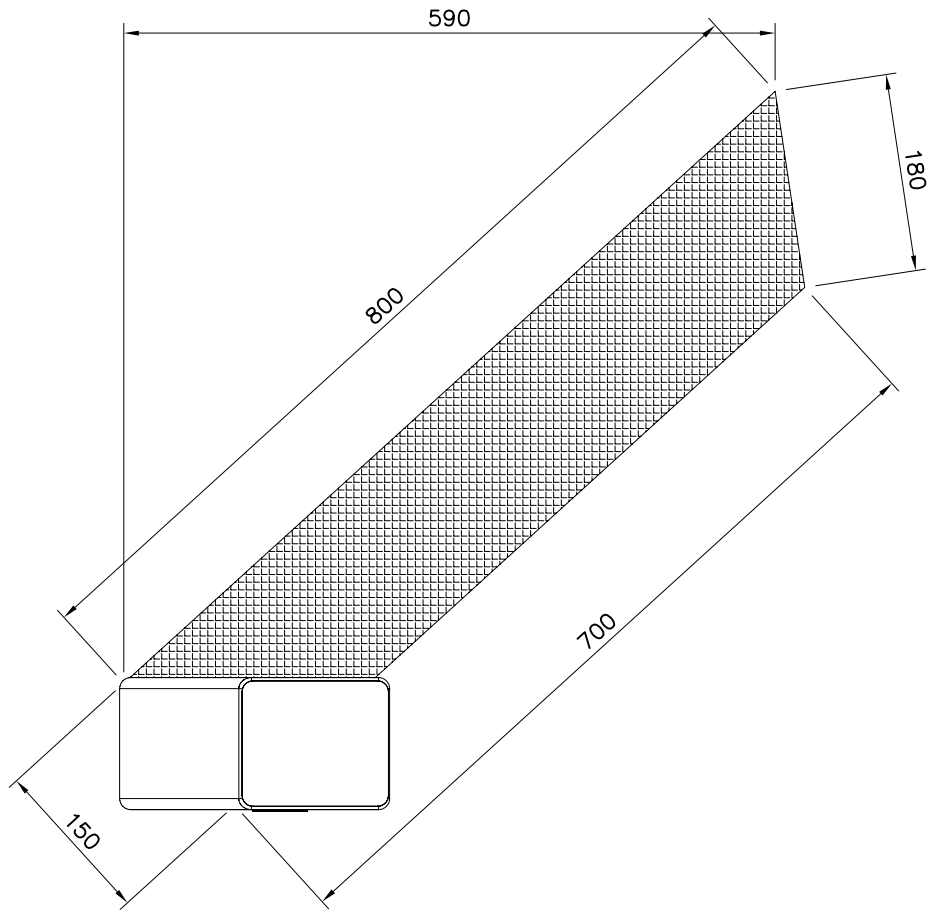
709379+		④ 902564	PCS
L 550			

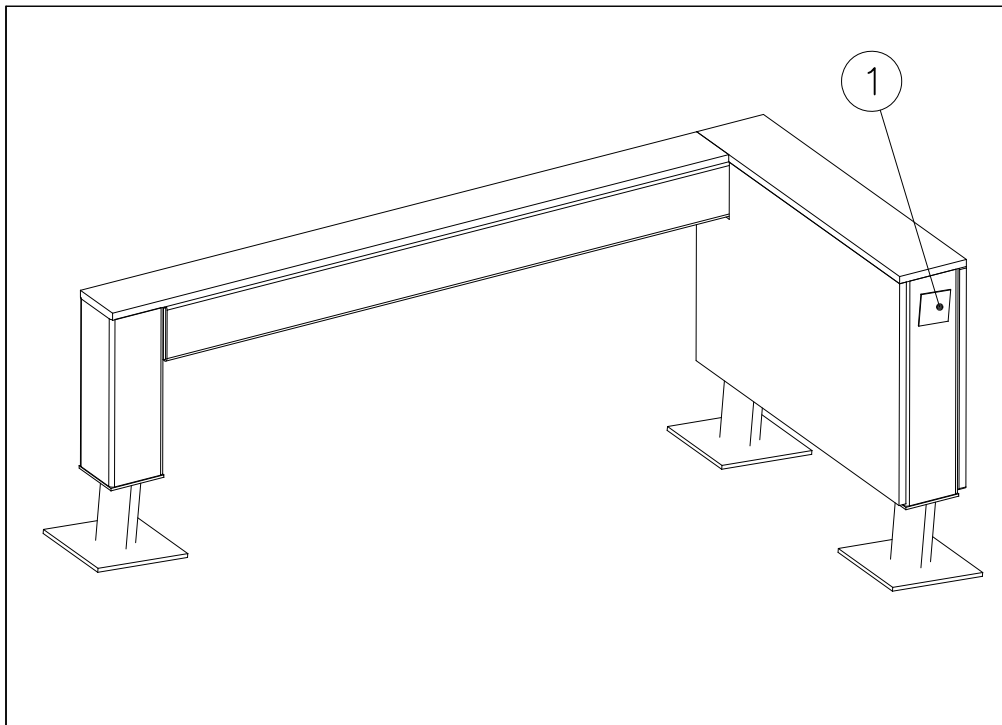
----- Falling Space 8.2 m2
Max Falling Height 200 mm

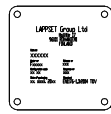
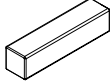





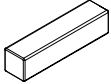
Copyright Lappset Group Ltd

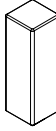
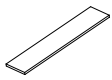
Shadow lines

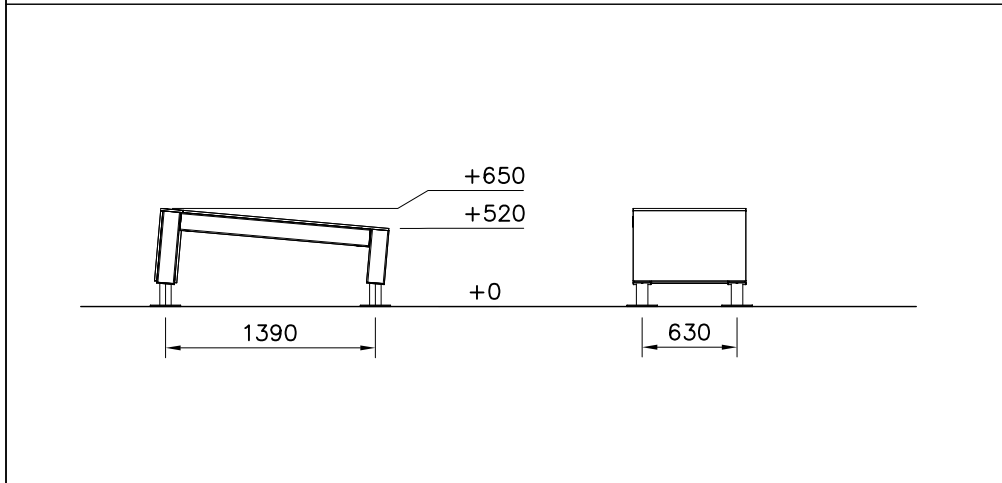



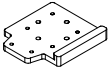


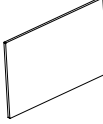

① 702286	PCS	② 707210	PCS
	1		2
65x65		118x118x503	

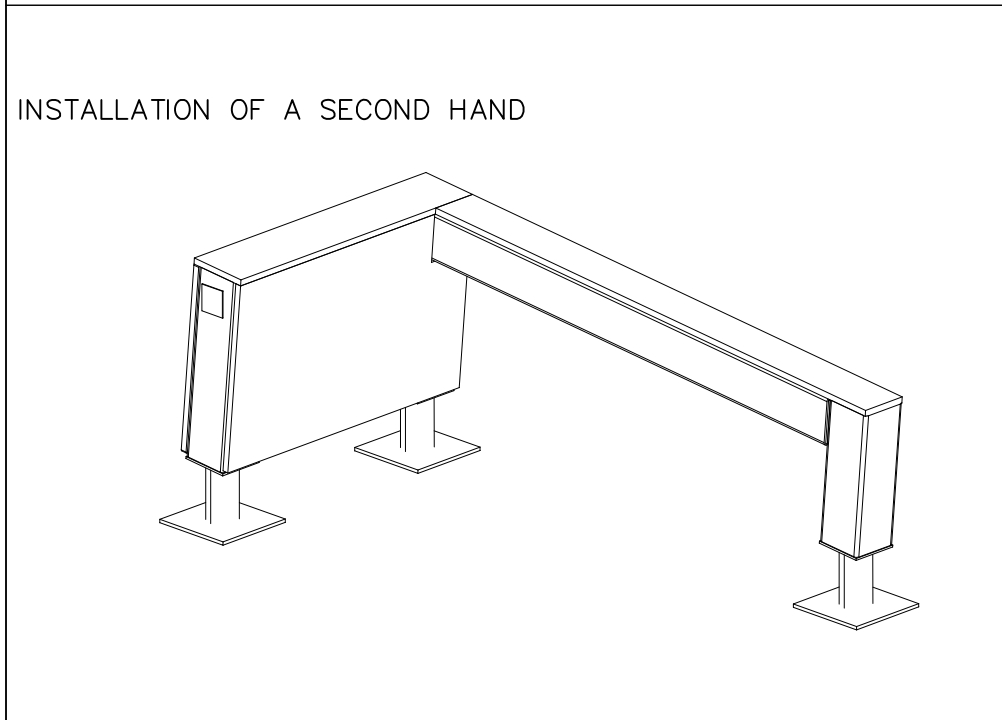
③ 707212	PCS	④ 707889	PCS
	1		2
118x118x1254		118x118x472	



⑤ 708443	PCS	⑥ 708733	PCS
	1		1
118x118x352		15x148x745	


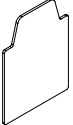


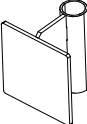
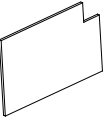
⑦ 708734	PCS	⑧ 708857 JIG	PCS
	1		1
15x118x1365		20x133x149	




⑨ 708731	PCS	⑩ 900240	PCS
	1		16
15x466x745		Ø8x70	



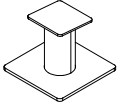

⑪ 903093	PCS	⑫ 905103	PCS
	4		2
Ø8x90		PT-28/32-H	

⑬ 905112	PCS	⑭ 908698	PCS
	4		4
Ø22		3x114x108	

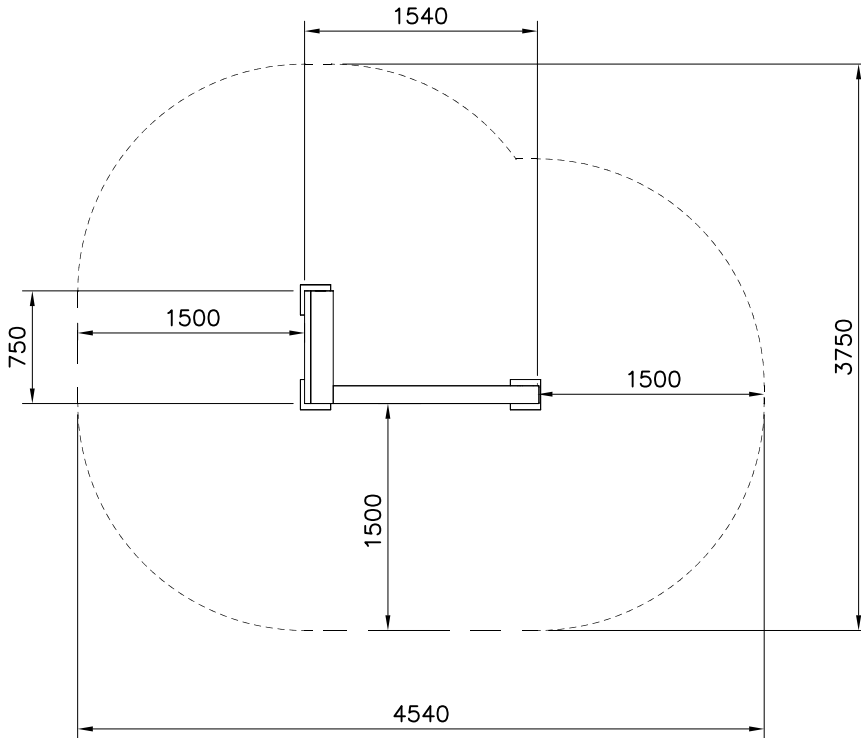
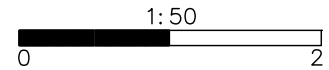
⑮ 910266	PCS	⑯ 708732	PCS
	2		1
90x108x118		15x466x745	

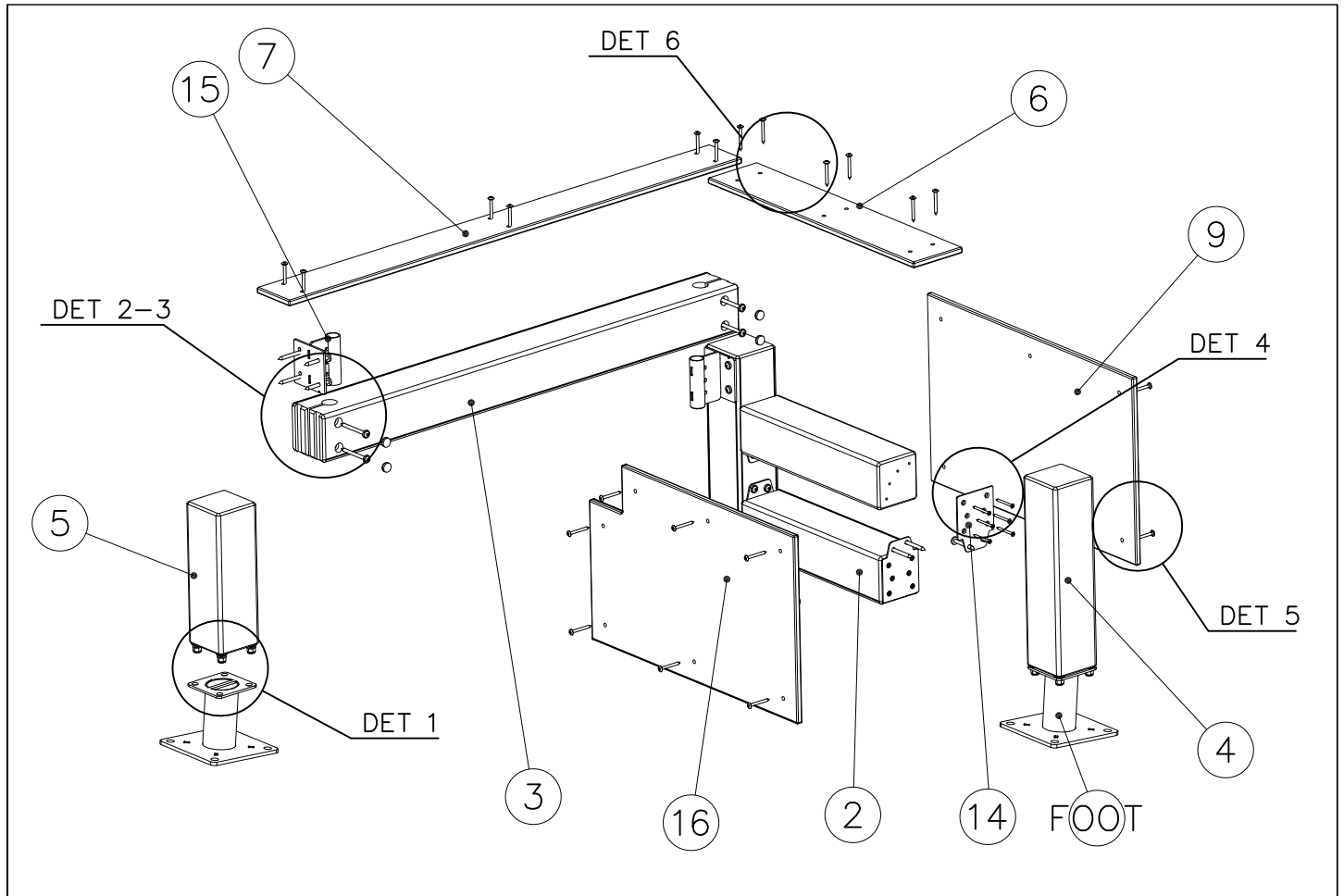
17	980100	PCS	18	980114	PCS	19	980123	PCS
		28			4			25
								
Ø5x60			Ø4x20			Ø7x60		

FOOT OPTIONS

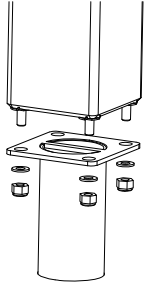
709261+		709262+	
○ 910267	PCS	○ 910567	PCS
SURFACE	3	CONCRETE	3
			
152x200x200		117x117x715	

----- Falling Space 13.8 m²
Max Falling Height 650 mm

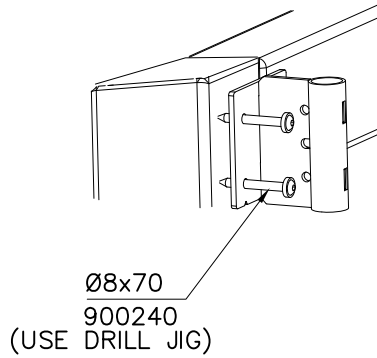




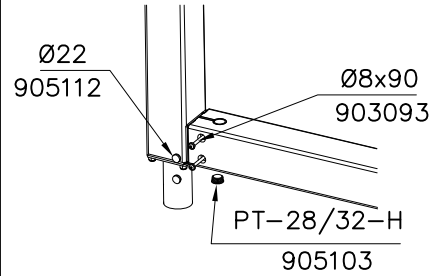
DET 1



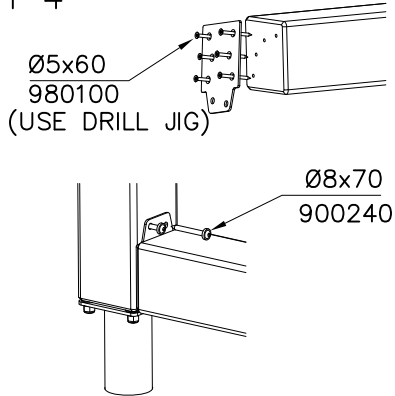
DET 2



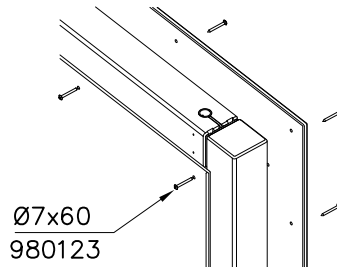
DET 3



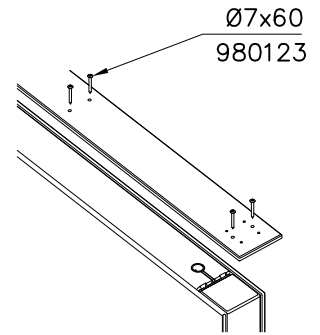
DET 4



DET 5

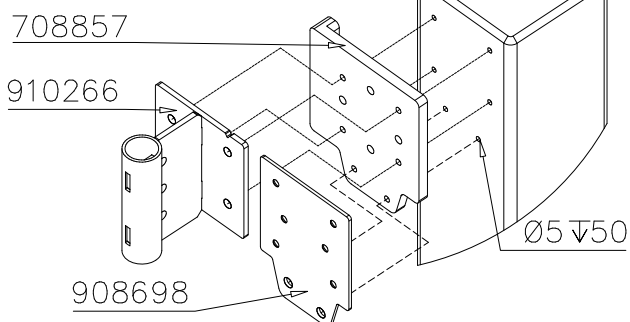


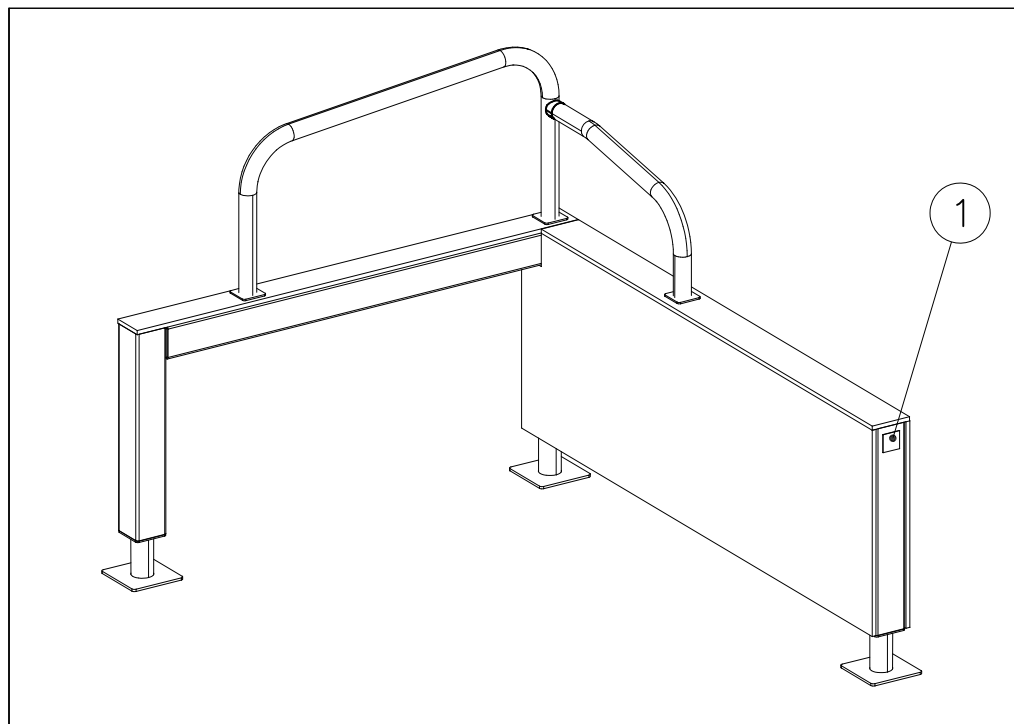
DET 6





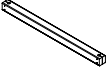

JIG DET A (USE DET 2-4)

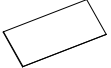

NOTE:
Use drill jig 708857
to predrill $\text{Ø}5\sqrt{50}$
holes for 910266
and 908698

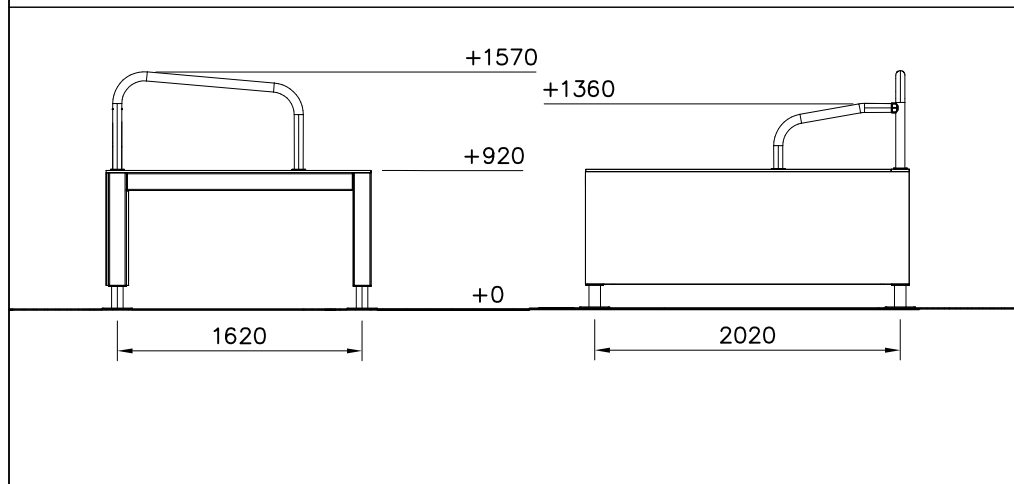


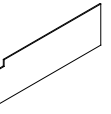



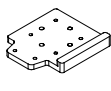

① 702286	PCS	② 707213	PCS
	1		1
65x65		118x118x1490	

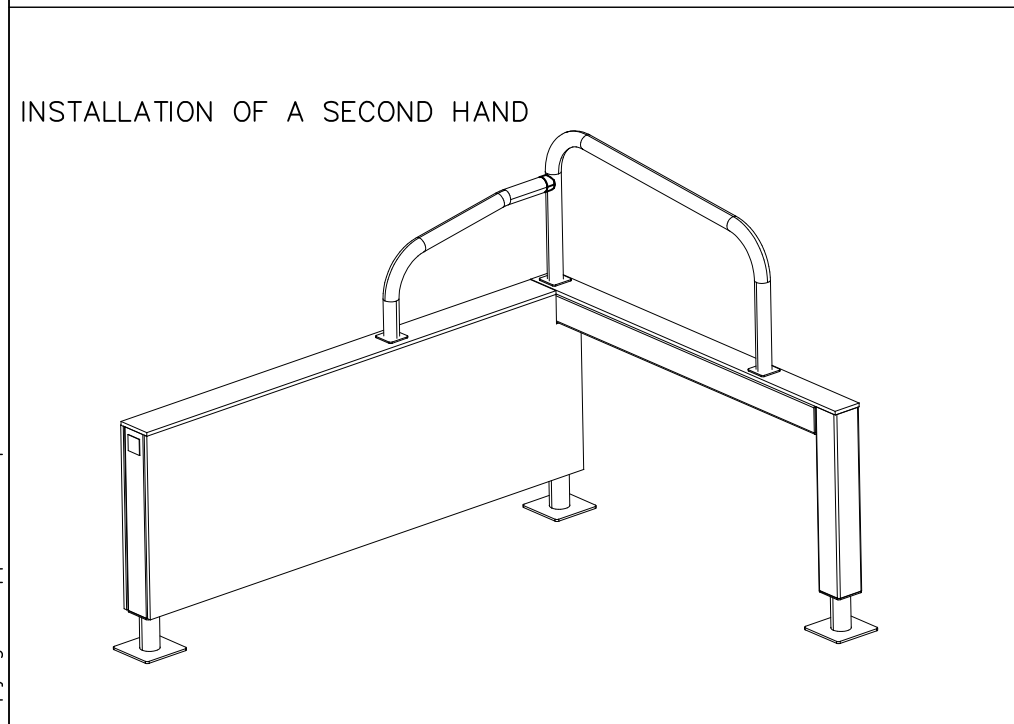
③ 707517	PCS	④ 708137	PCS
	2		3
118x118x1892		118x118x745	



⑤ 708715	PCS	⑥ 708840	PCS
	1		1
15x745x2140		15x148x2018	





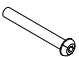

⑦ 708845	PCS	⑧ 708846	PCS
	1		1
15x745x2138		15x118x1751	


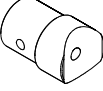
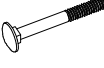


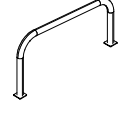
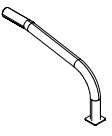
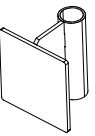


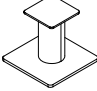
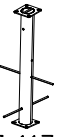
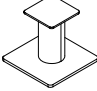
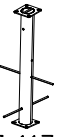
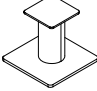
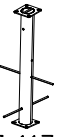
⑨ 708857	PCS	⑩ 980154	PCS
	1		1
20x133x149		Ø24/13	



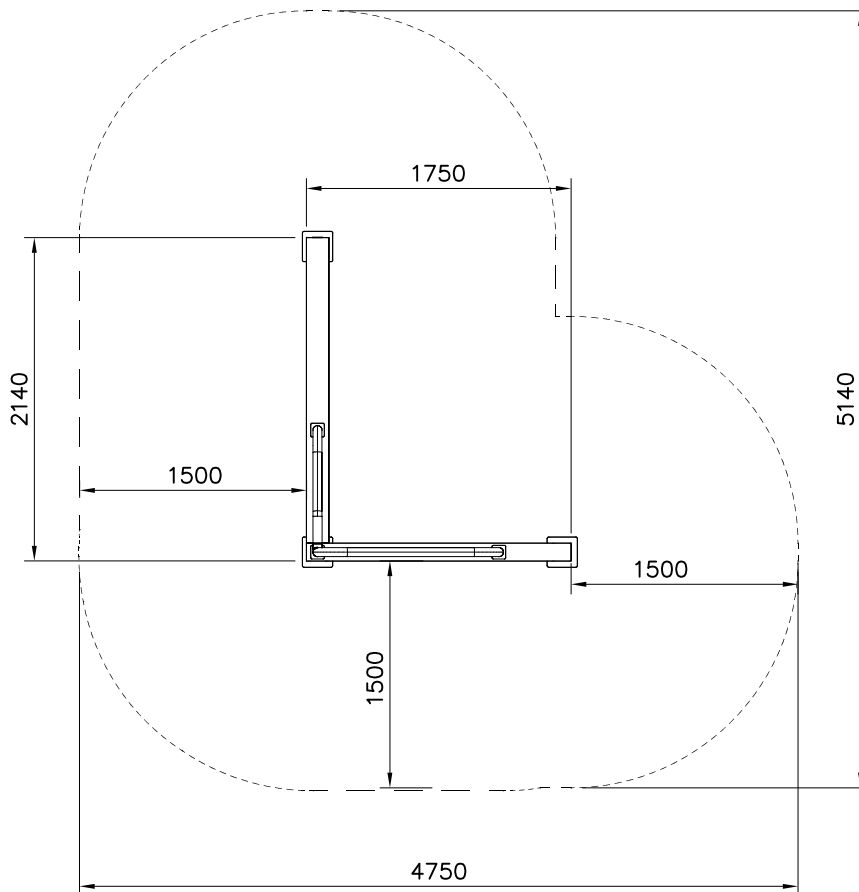
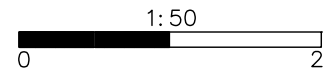
⑪ 900240	PCS	⑫ 900965	PCS
	24		1
Ø8x70		M10	

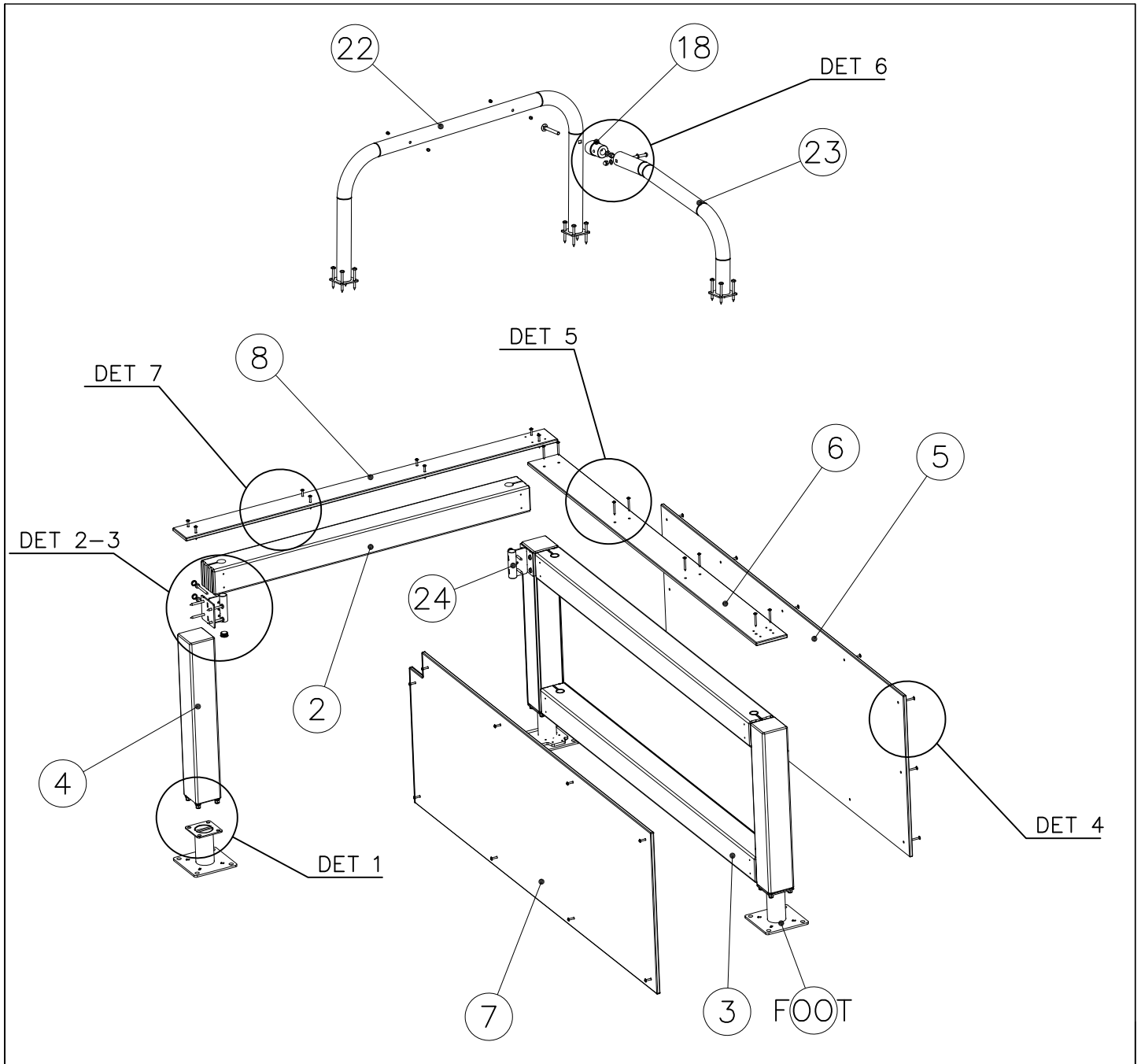
⑬ 903093	PCS	⑭ 903533	PCS
	24		4
Ø8x90		SRL12	

⑮ 904133	PCS	⑯ 905103	PCS
	1		6
M10x80		PT-28/32-H	

<p>⑰ 905112 PCS 12</p>  <p>Ø22</p>	<p>⑱ 908069 PCS 1</p>  <p>Ø60x87.6</p>	<p>⑲ 909111 PCS 1</p>  <p>M12x100</p>	<p>⑳ 909248 PCS 1</p>  <p>M12</p>	<p>㉑ 909638 PCS 4</p>  <p>Ø20/10.5</p>	<p>㉒ 910254 PCS 1</p>  <p>Ø60x650x1290</p>		
<p>㉓ 910262 PCS 1</p>  <p>Ø60x435x795</p>	<p>㉔ 910266 PCS 6</p>  <p>90x108x118</p>	<p>㉕ 980123 PCS 37</p>  <p>Ø7x60</p>	<p>㉖ 980114 PCS 4</p>  <p>Ø4x20</p>	<p>FOOT OPTIONS 709261+ 709262+</p> <table border="1"> <tr> <td> <p>○ 910330 SURFACE PCS 3</p>  <p>152x200x200</p> </td> <td> <p>○ 910567 CONCRETE PCS 3</p>  <p>117x117x715</p> </td> </tr> </table>		<p>○ 910330 SURFACE PCS 3</p>  <p>152x200x200</p>	<p>○ 910567 CONCRETE PCS 3</p>  <p>117x117x715</p>
<p>○ 910330 SURFACE PCS 3</p>  <p>152x200x200</p>	<p>○ 910567 CONCRETE PCS 3</p>  <p>117x117x715</p>						

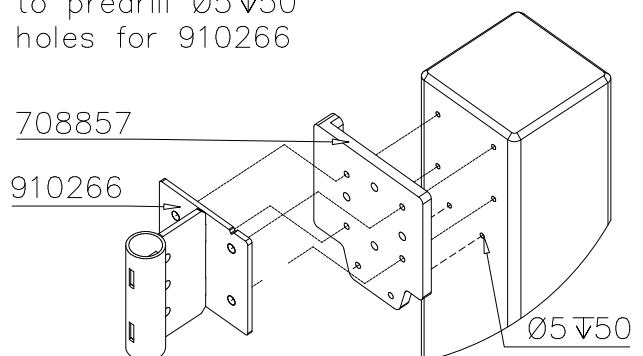
----- Falling Space 18.8 m²
Max Falling Height 920 mm



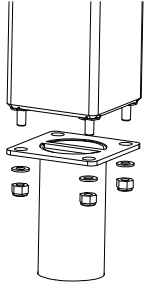


JIG DET A (USE DET 2)

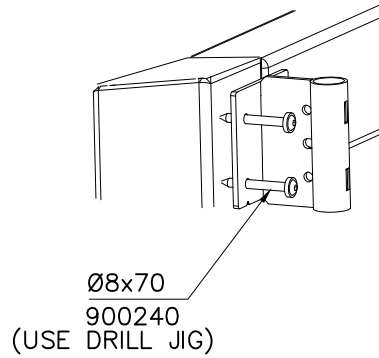
NOTE:
Use drill jig 708857
to predrill $\text{Ø}5 \nabla 50$
holes for 910266



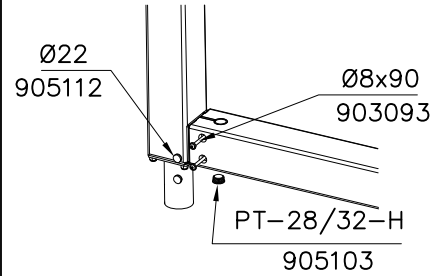
DET 1



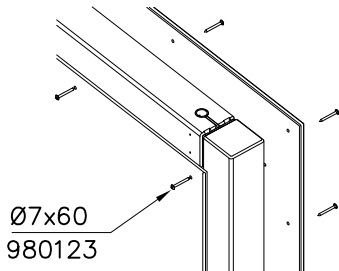
DET 2



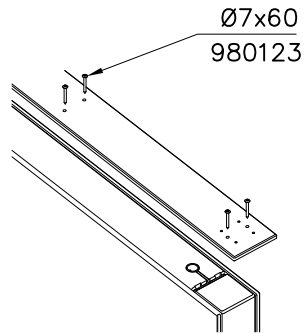
DET 3



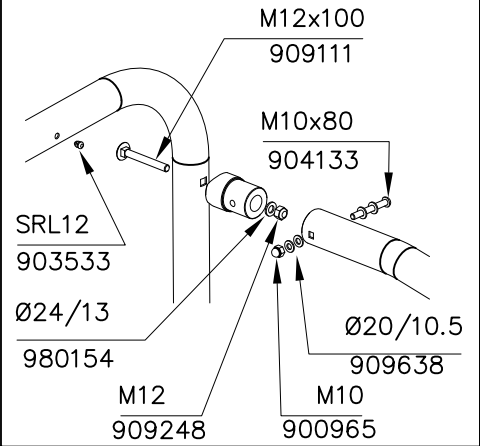
DET 4



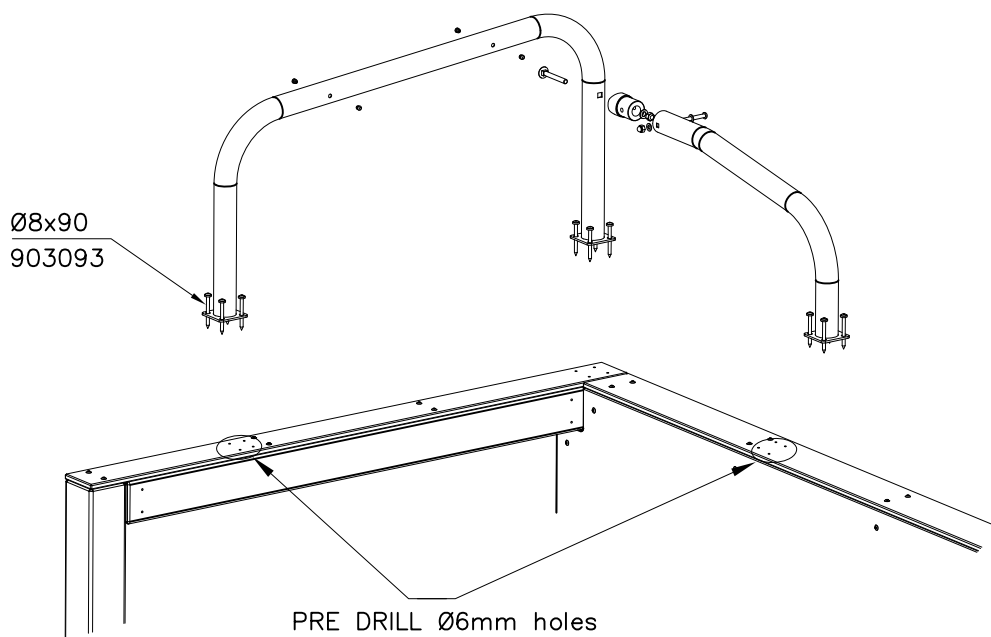
DET 5

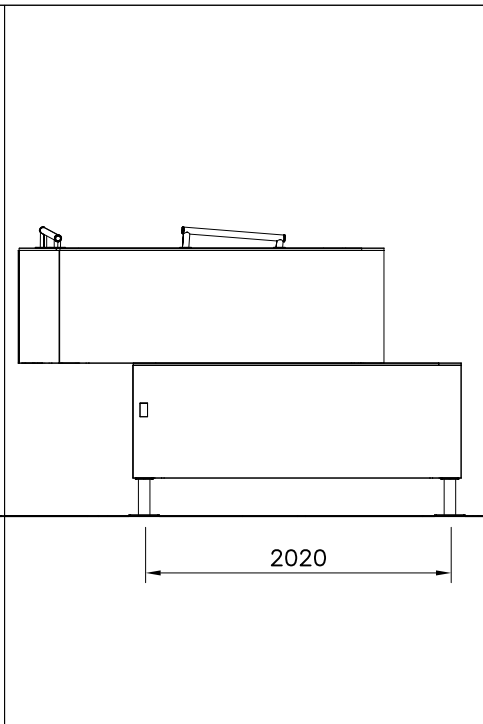
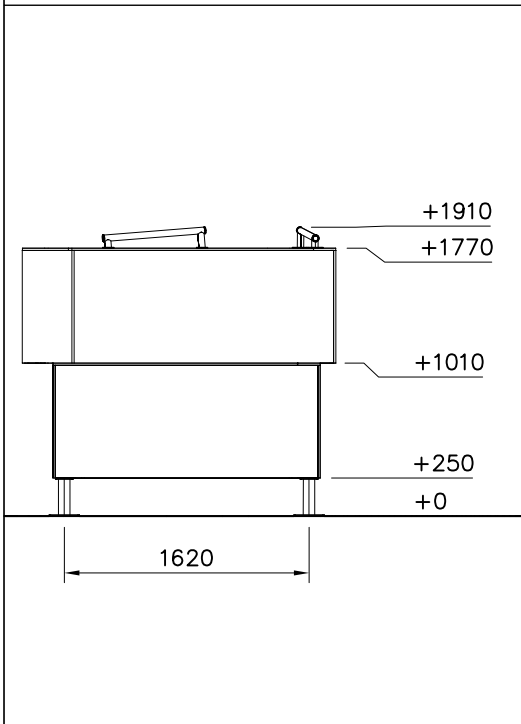
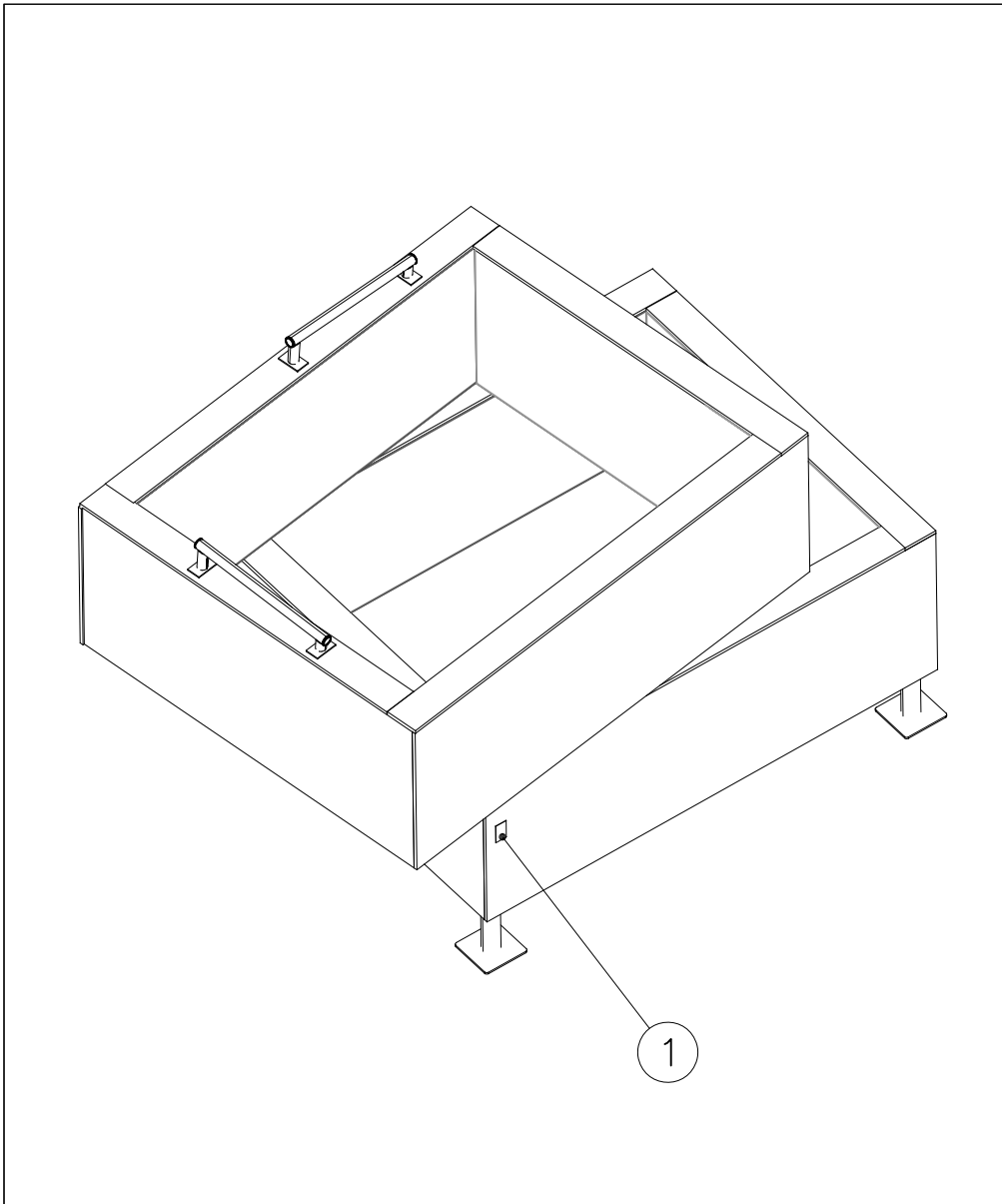


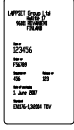

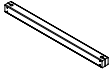






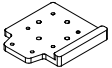

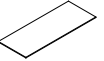
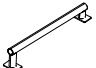



DET 6

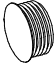

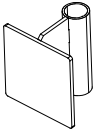









DET 7

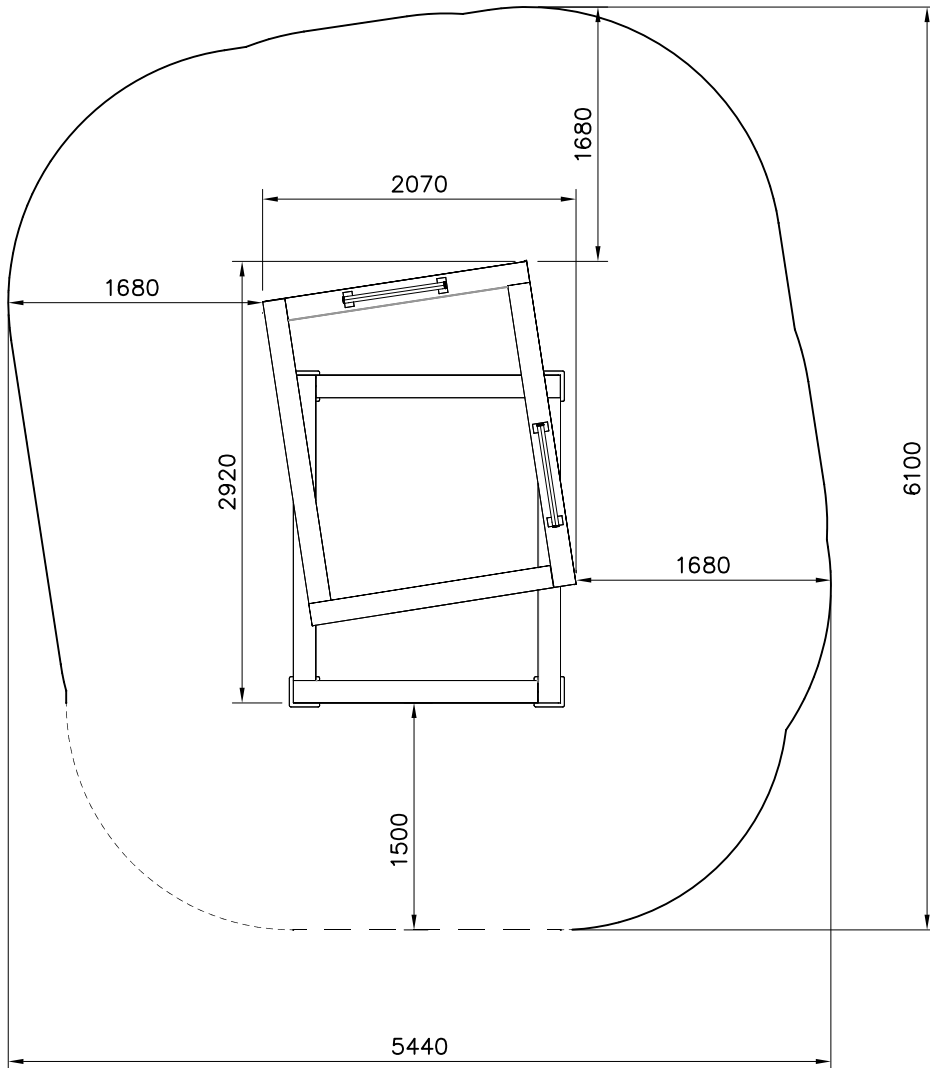
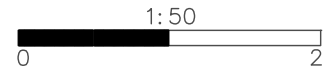




① 702341  90x50	PCS 1	② 707213  118x118x1490	PCS 8
③ 707517  118x118x1892	PCS 8	④ 708137  118x118x745	PCS 4
⑤ 708836  15x745x1736	PCS 4	⑥ 708837  15x745x2168	PCS 4
⑦ 708839  15x745x1897	PCS 2	⑧ 708840  15x148x2018	PCS 4
⑨ 708841  15x148x1616	PCS 4	⑩ 708857 JIG  20x133x149	PCS 1
⑪ 911288 COLOR  15x745x1465	PCS 4	⑫ 911289 COLOR  15x745x1897	PCS 2
⑬ 910056  140x690	PCS 2	⑭ 980123  Ø7x60	PCS 216
⑮ 900240  Ø8x70	PCS 128	⑯ 903093  Ø8x90	PCS 72

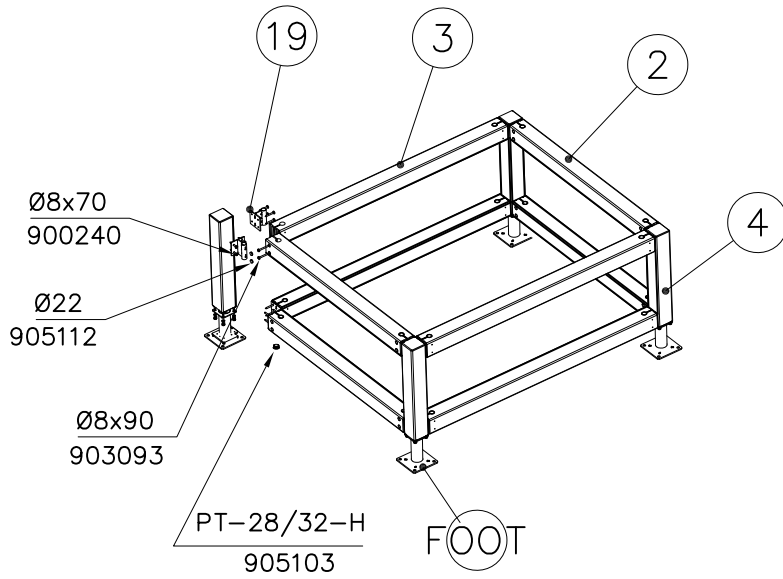
17 905103  PT-28/32-H PCS 24	18 905112  Ø22 PCS 64	19 910266  90x108x118 PCS 32	20 709110  118x118x745 PCS 4	21 905086  Ø44/13.5 x 3.9 PCS 8	22 908371  42-38/40 PCS 4
23 909132  M12x280 PCS 4	24 909248  M12 PCS 4	FOOT OPTIONS 710175+ 710176+			
		911817 SURFACE  250x200x200 PCS 4		911820 CONCRETE  803x117x117 PCS 4	

— EN Impact Attenuating Surface (IAS) 28.1 m²
 - - - Falling Space 28.1 m²
 Max Falling Height 1910 mm

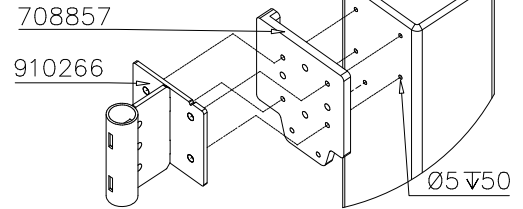


DET 1

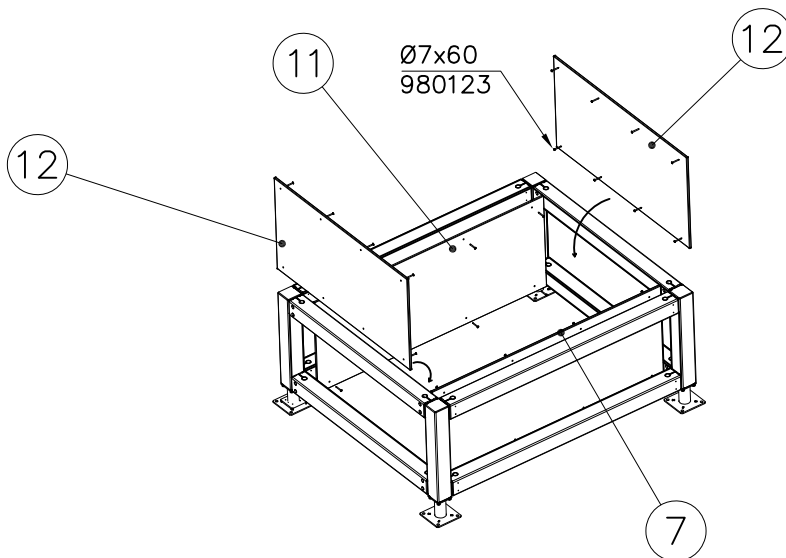
FIRST FLOOR



NOTE:
Use drill jig 708857
to predrill $\text{Ø}5\sqrt{50}$
holes for 910266

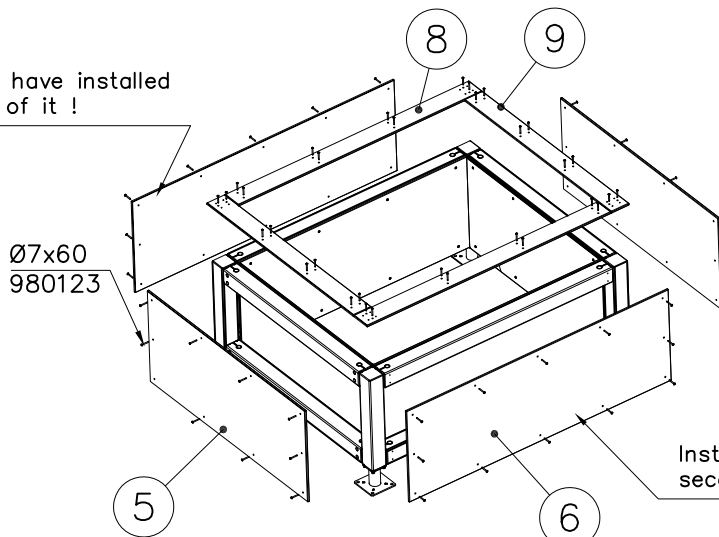


DET 2



DET 3

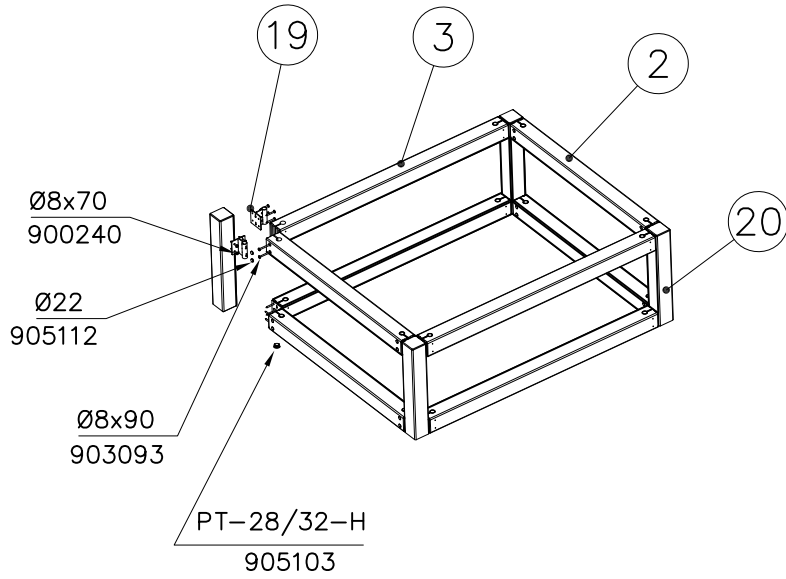
Install this once you have installed
second floor on top of it !



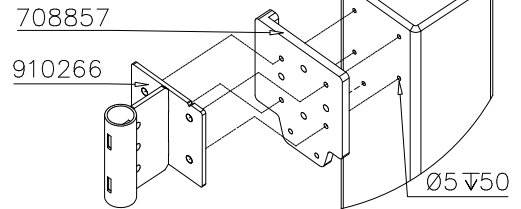
Install this once you have installed
second floor on top of it !

DET 4

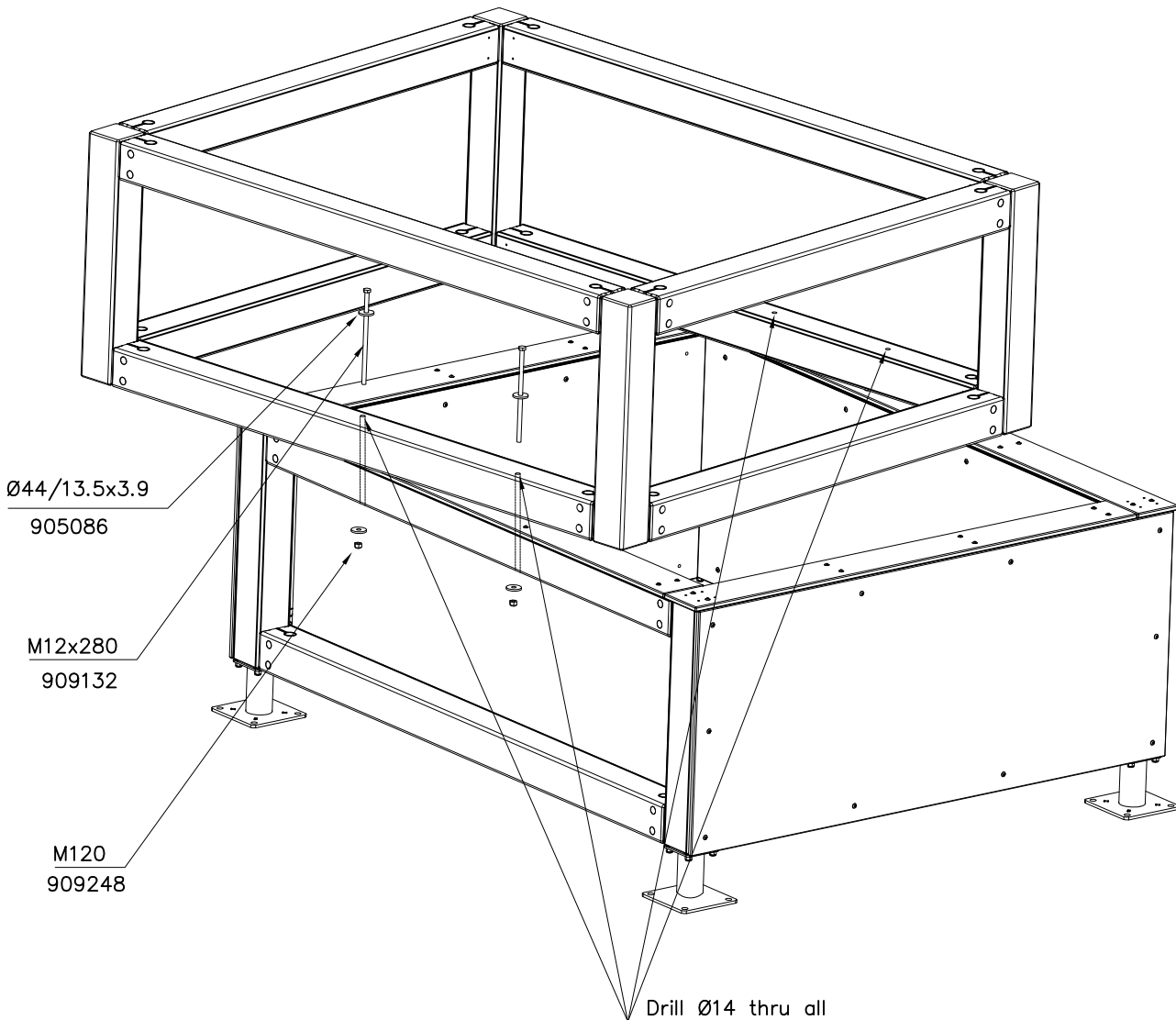
SECOND FLOOR



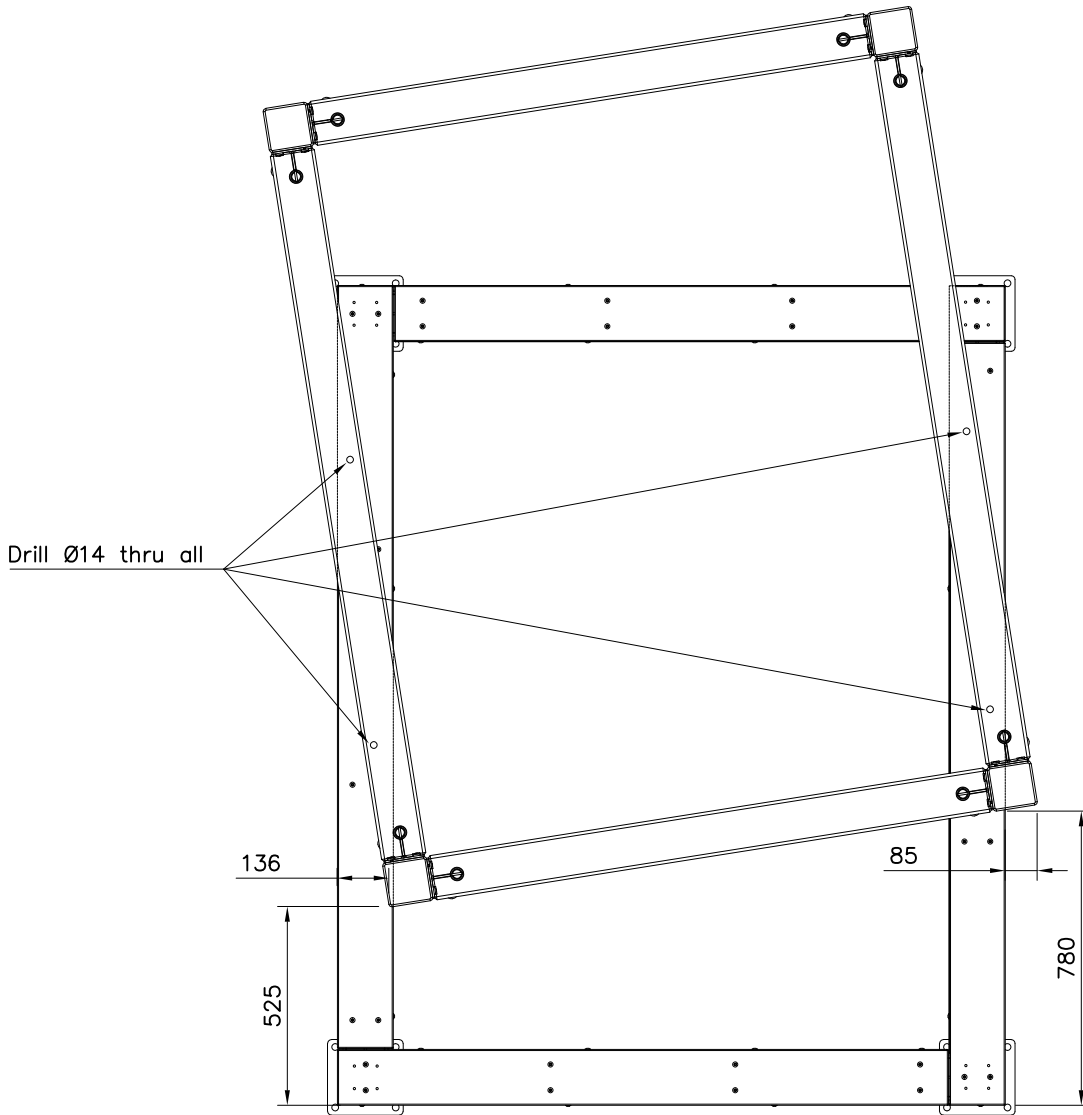
NOTE:
Use drill jig 708857
to predrill $\text{Ø}5\sqrt{50}$
holes for 910266



DET 5

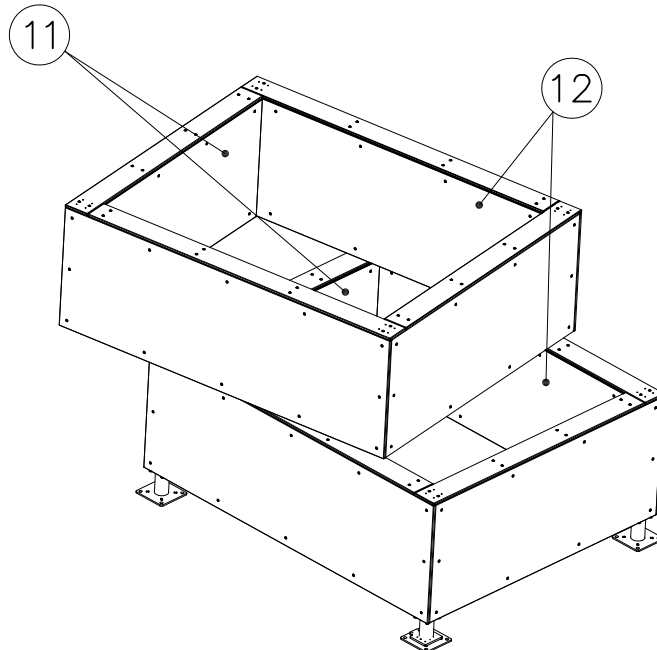


DET 6

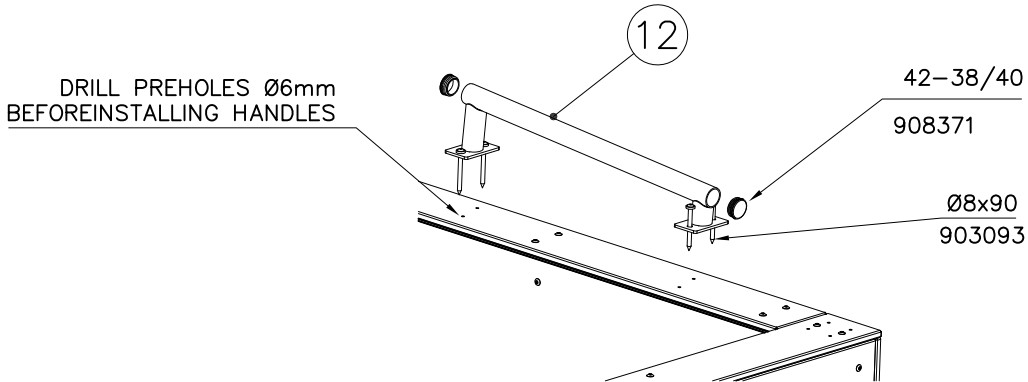


DET 7

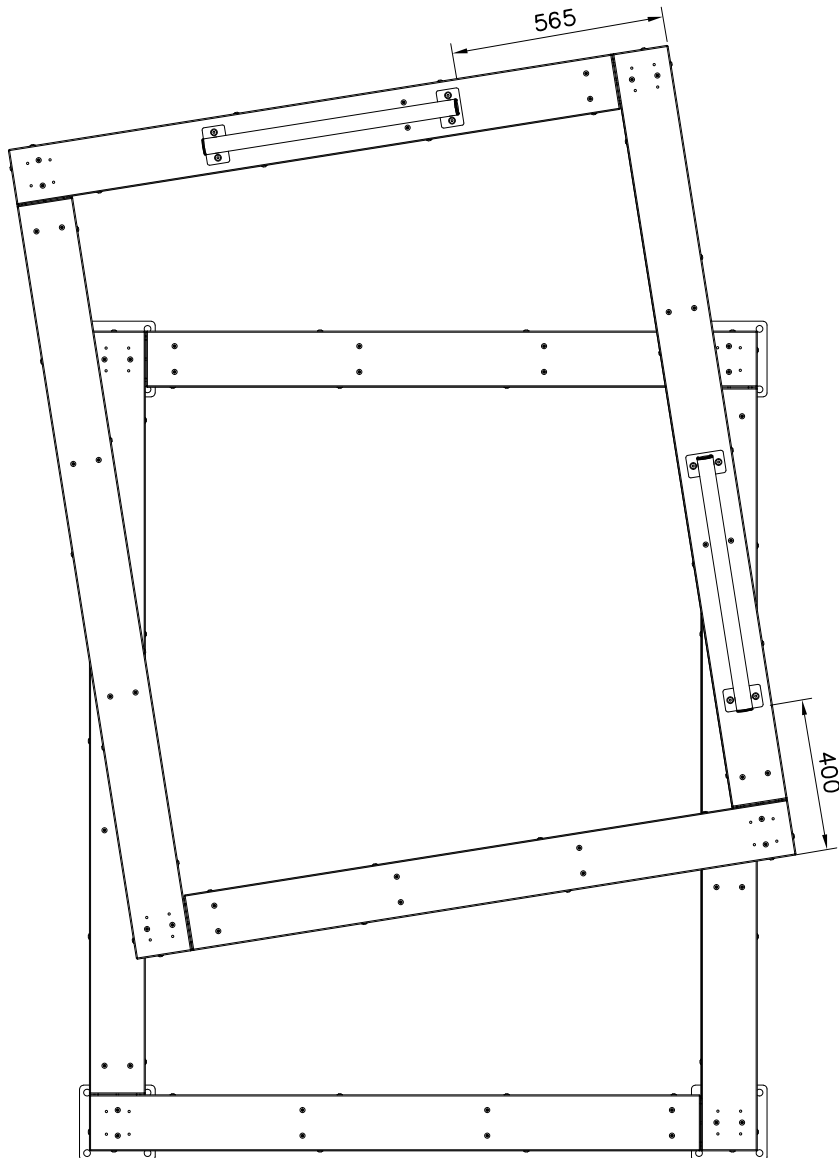
Install all plates

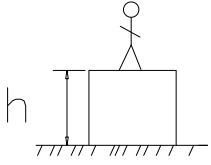


DET 8



DET 9





$h < 1600$

Totally hard surfaces or materials with very limited impact attenuating properties.

Case by case risk assessment is needed including e.g. evaluation whether there is forced movement, what is the intended exercise and where will the product be installed.

Materials with significant impact attenuating properties.

Totally hard surfaces.
E.g. concrete or asphalt



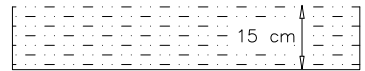
Materials with very limited impact attenuating properties.
E.g. wood



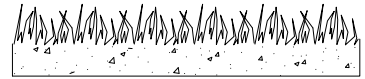
fine gravel 0–8 mm



Unsorted sand/ topsoil



Lawn

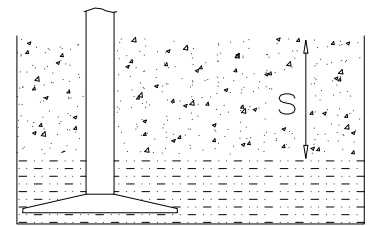


$h = 1600-$

$h < 3000$

Loose fill material

E.g.
sand/gravel 0,25...8 mm $D_{60}/D_{10} < 3,0$
Woodchips 5...30 mm
bark 20...80 mm



$\frac{S}{30 \text{ cm}}$ $\frac{h}{< 3,0 \text{ m}}$

Synthetic granulates

$\frac{S}{\text{mm}}$	$\frac{h}{\text{m}}$
40 mm	$\sim > 1,6... \sim < 1,8$ m
50 mm	$\sim > 1,8... \sim < 2,25$ m
55 mm	$\sim > 2,25... \sim < 2,4$ m
60 mm	$\sim > 2,4... \sim < 2,55$ m
70 mm	$\sim > 2,55... \sim < 3,0$ m

Note. For accurate values, see manufacturer's instructions.

