

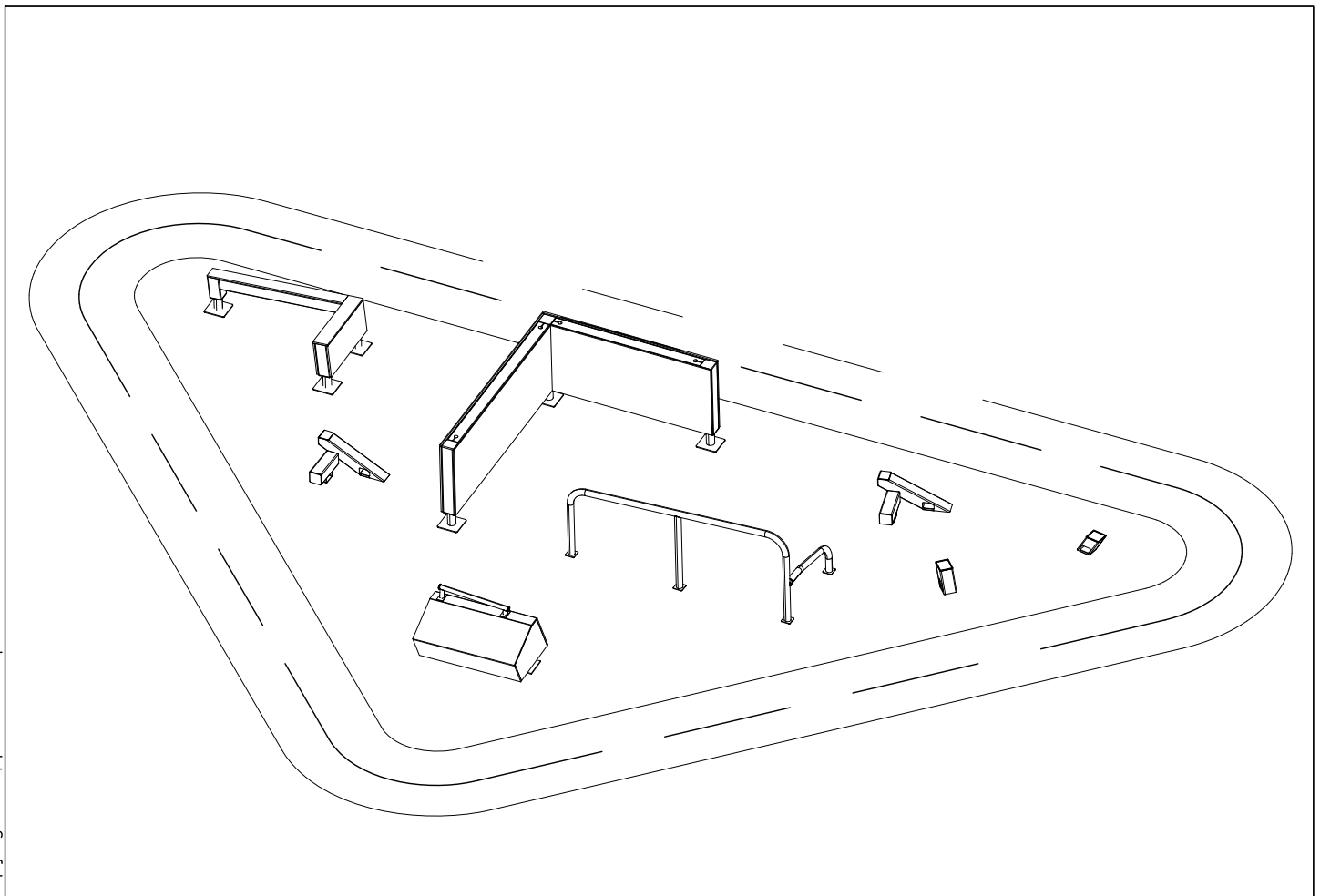
LAPPSET®

DASH PARKOUR

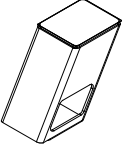
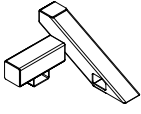
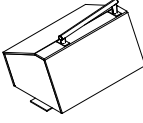
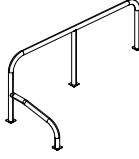
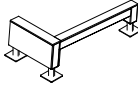
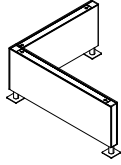
ASENNUSOHJE
MONTERINGSANSVISNING
INSTALLATION INSTRUCTION
AUFBAUANLEITUNG
NOTICE D'INSTALLATION

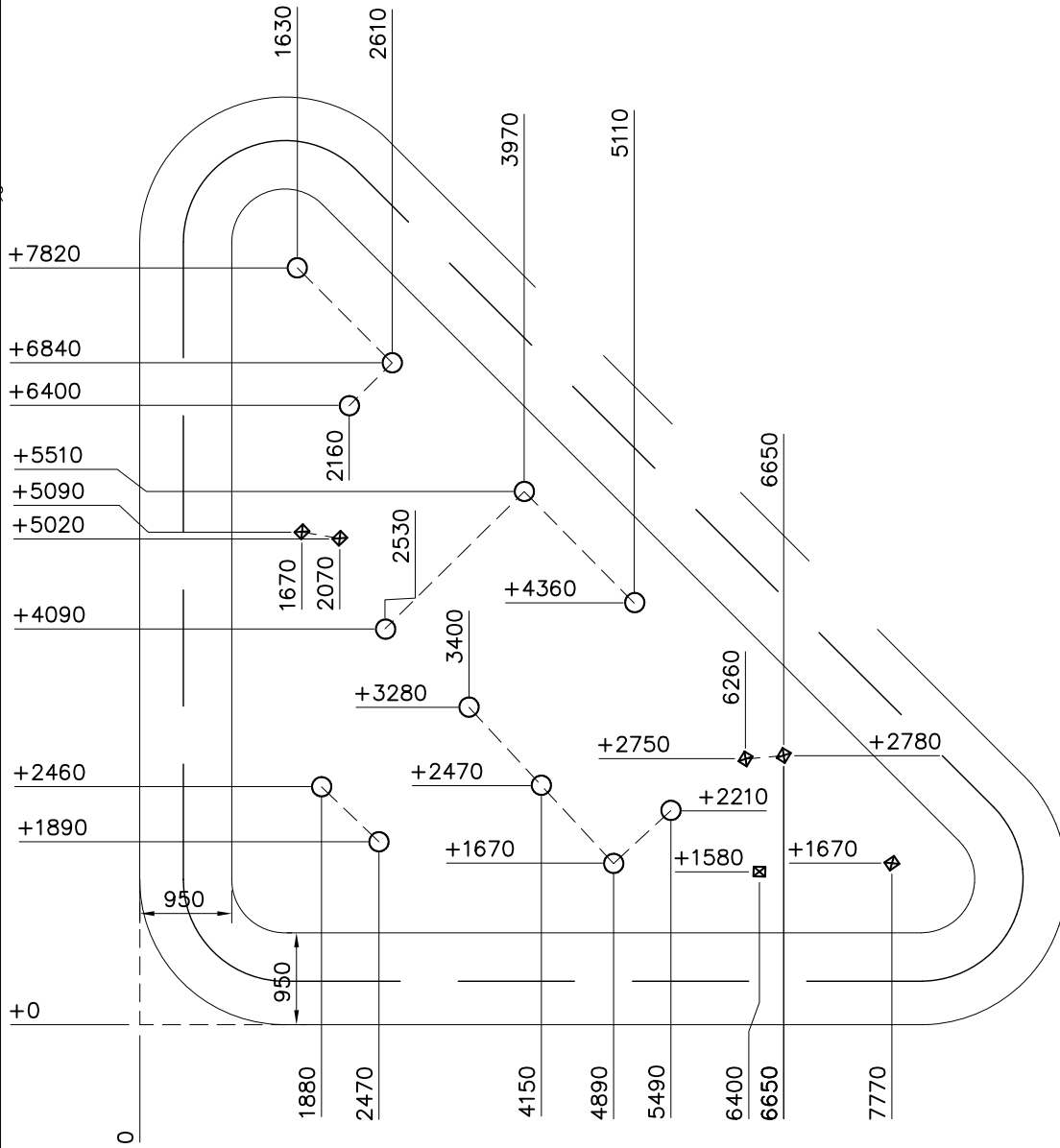
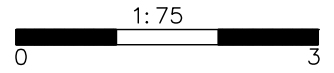
DATE: 30.10.2019

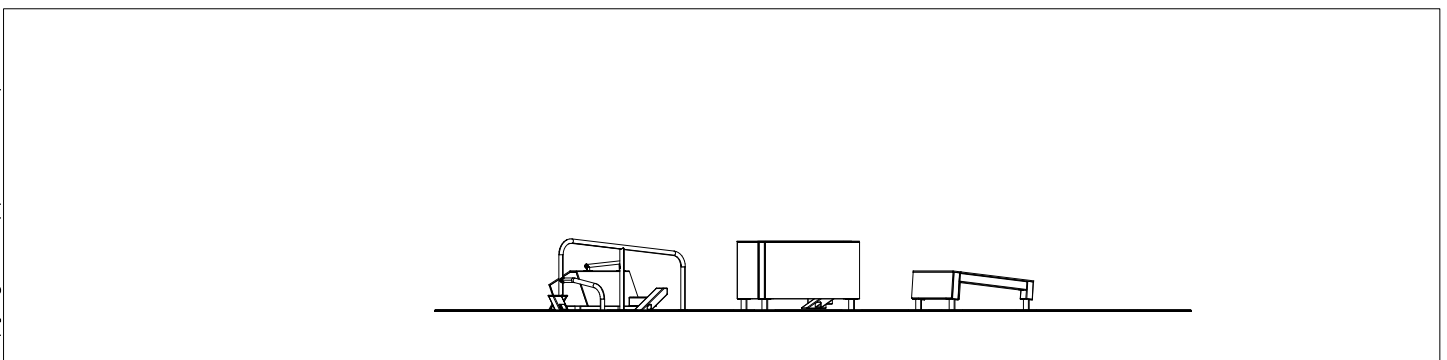
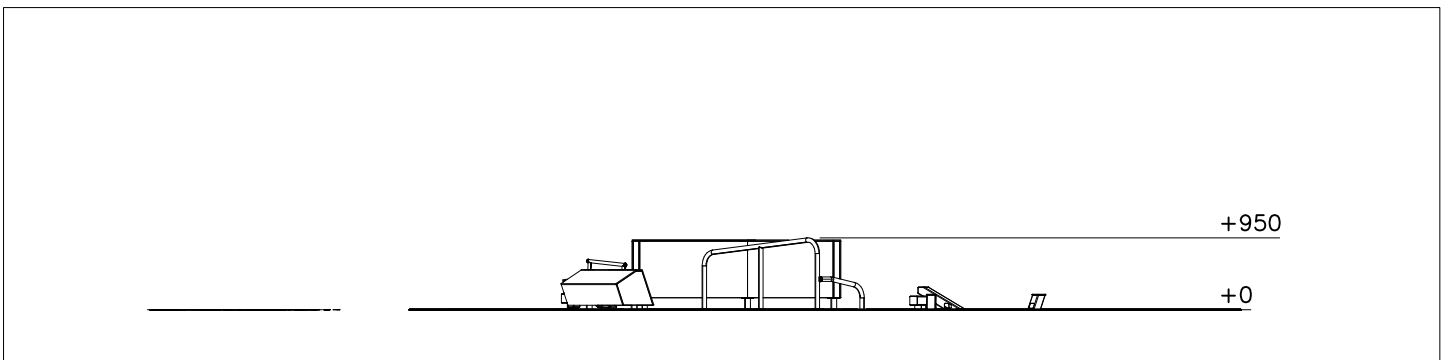
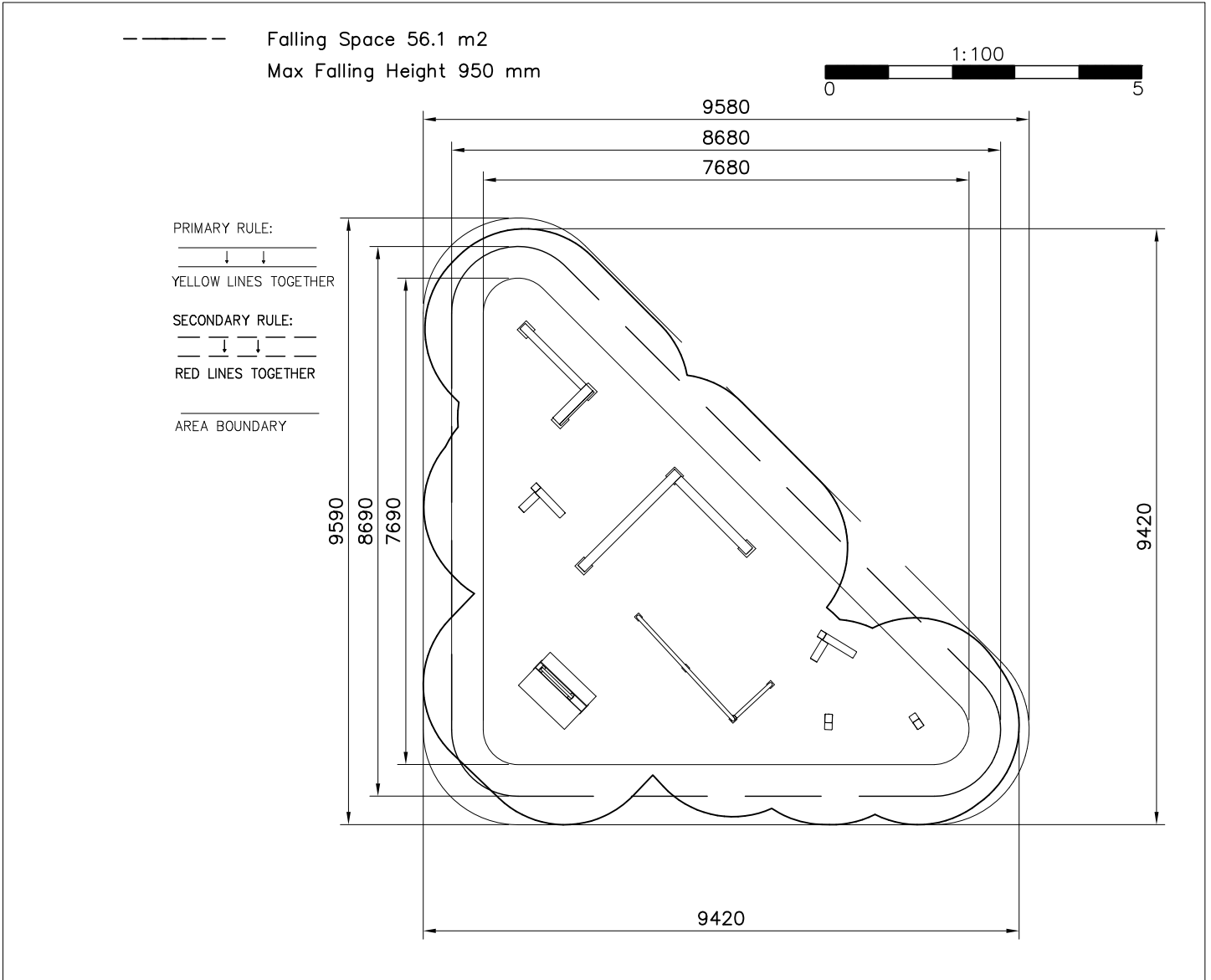
081762M

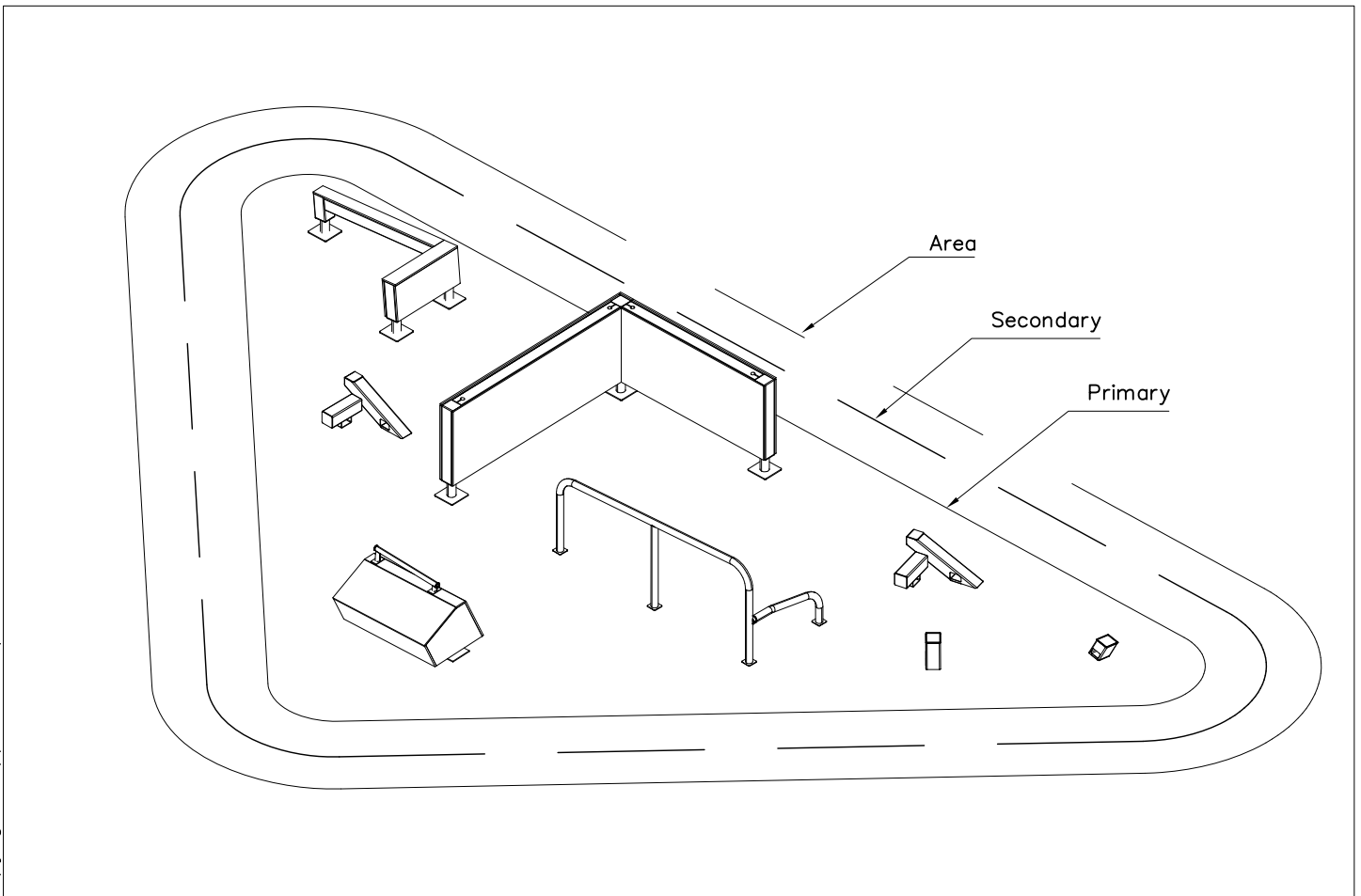
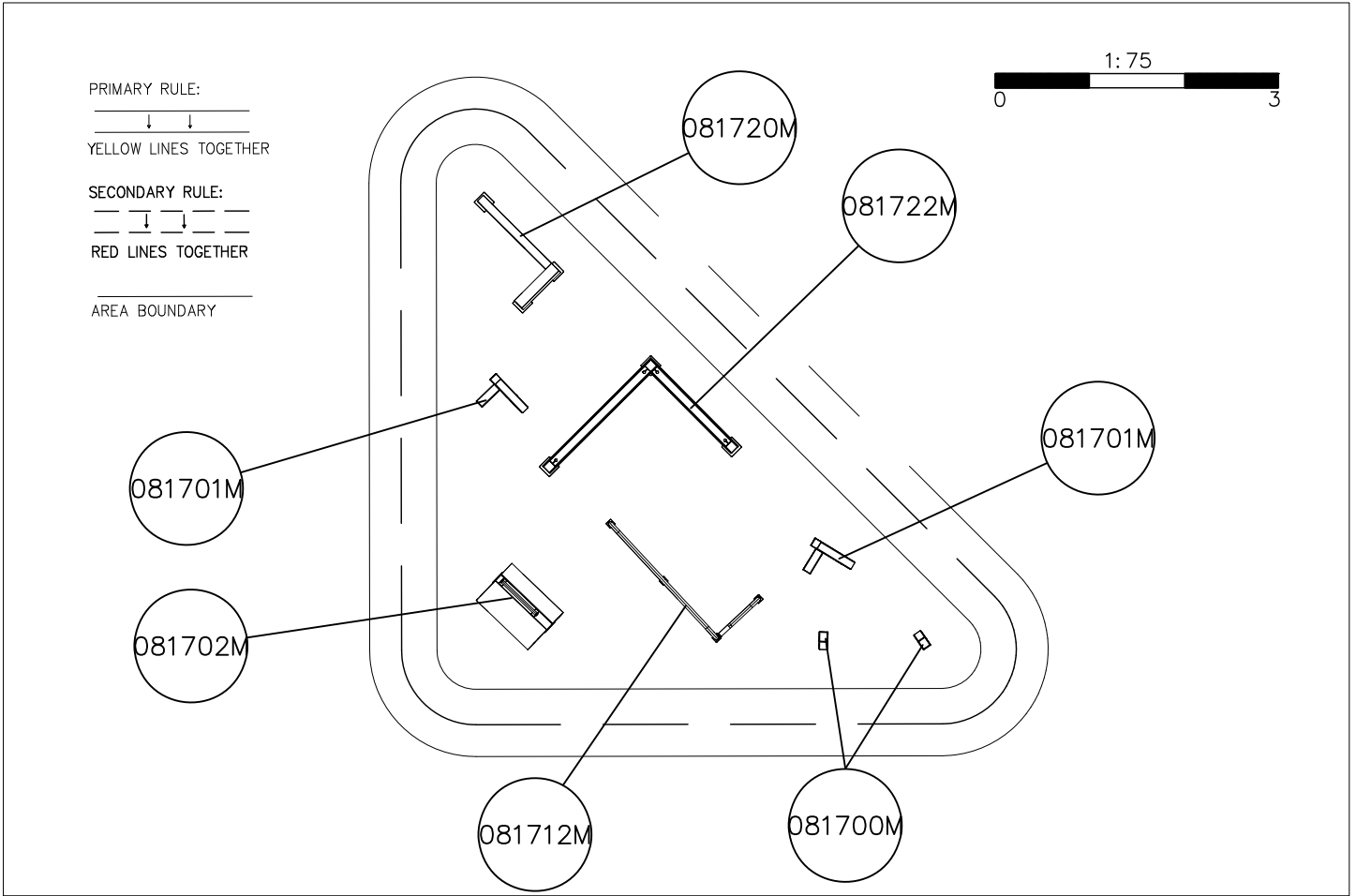


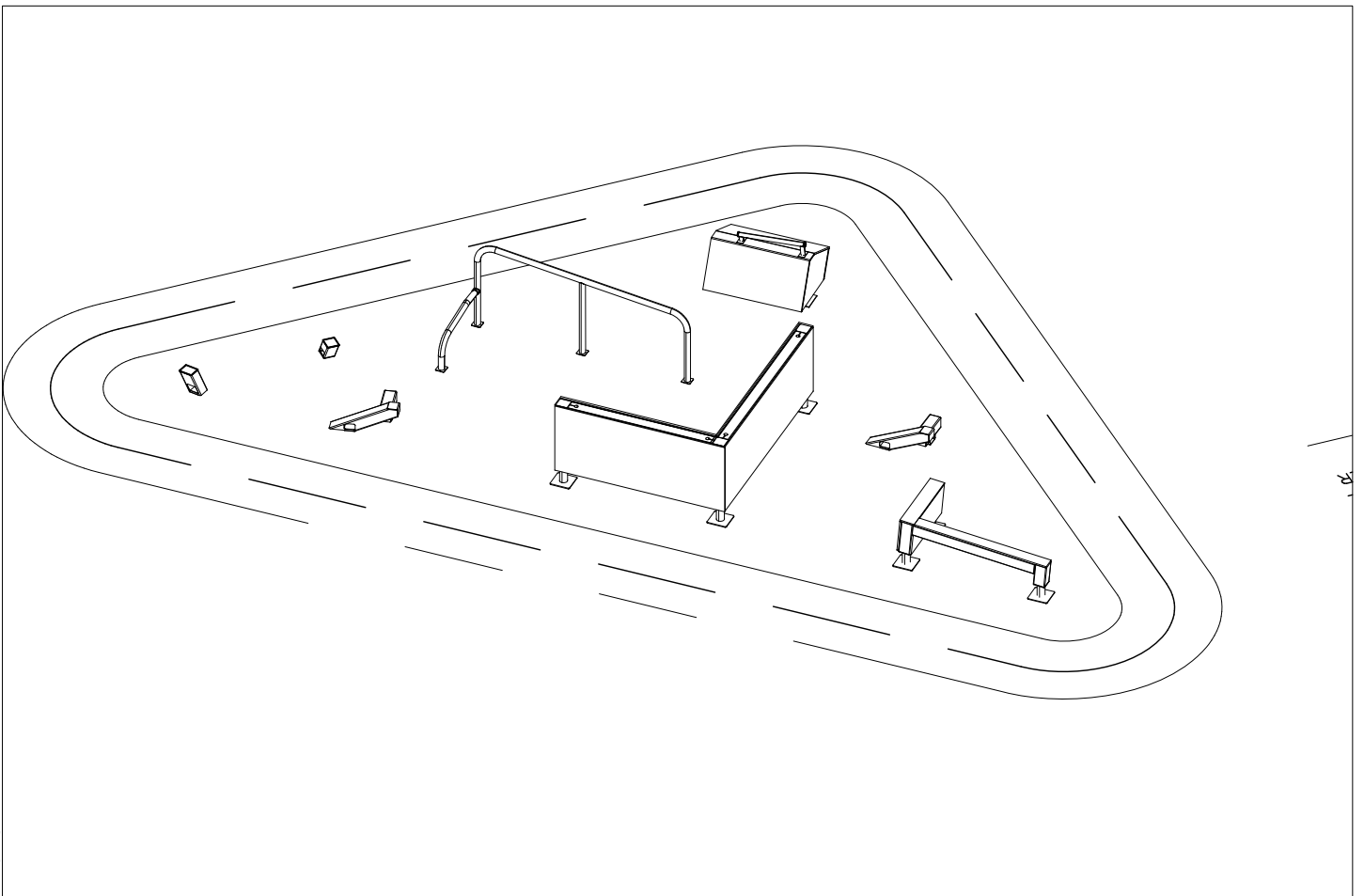
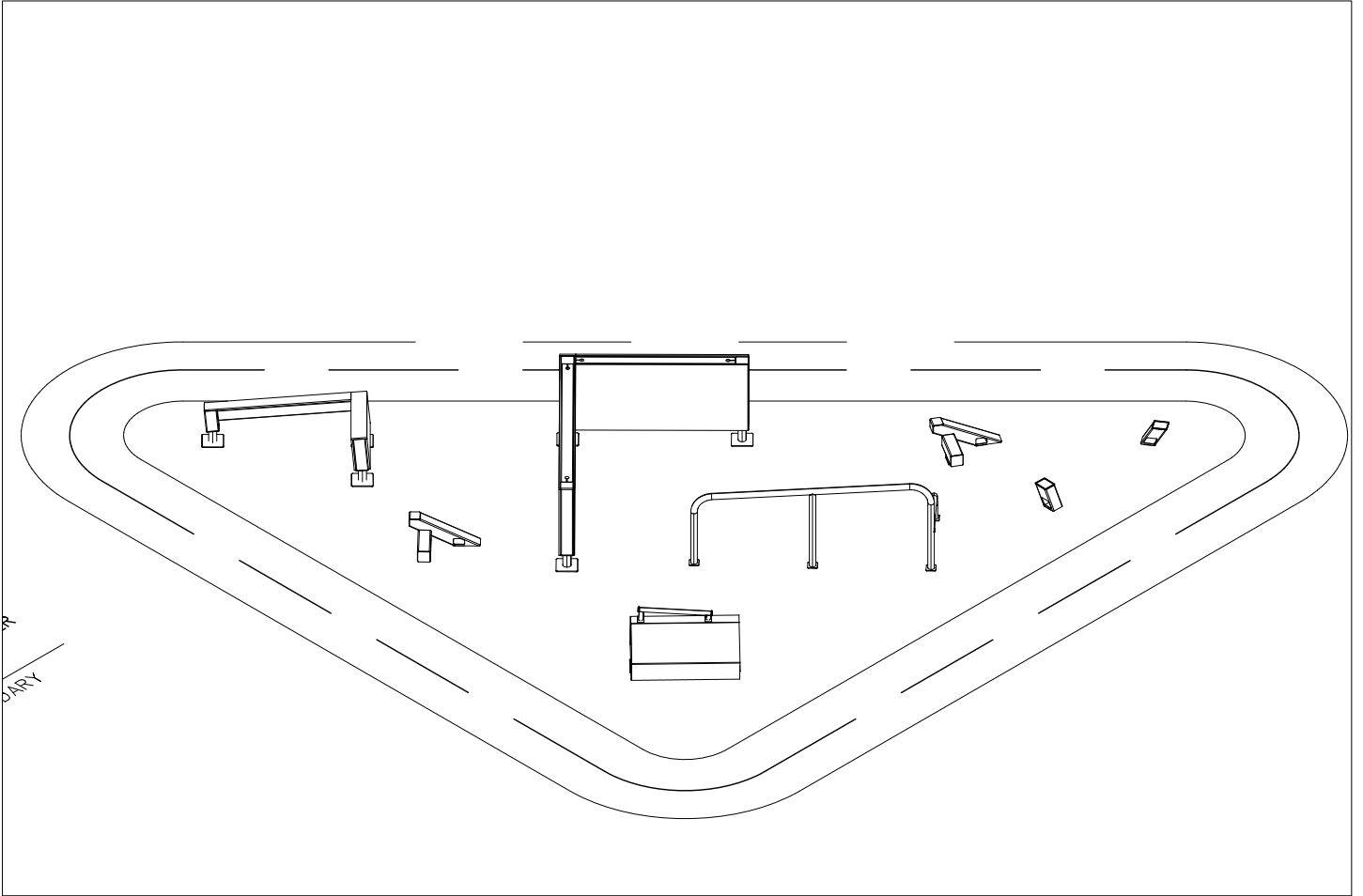
DATE: 30.10.2019

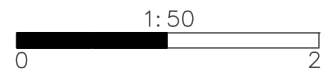
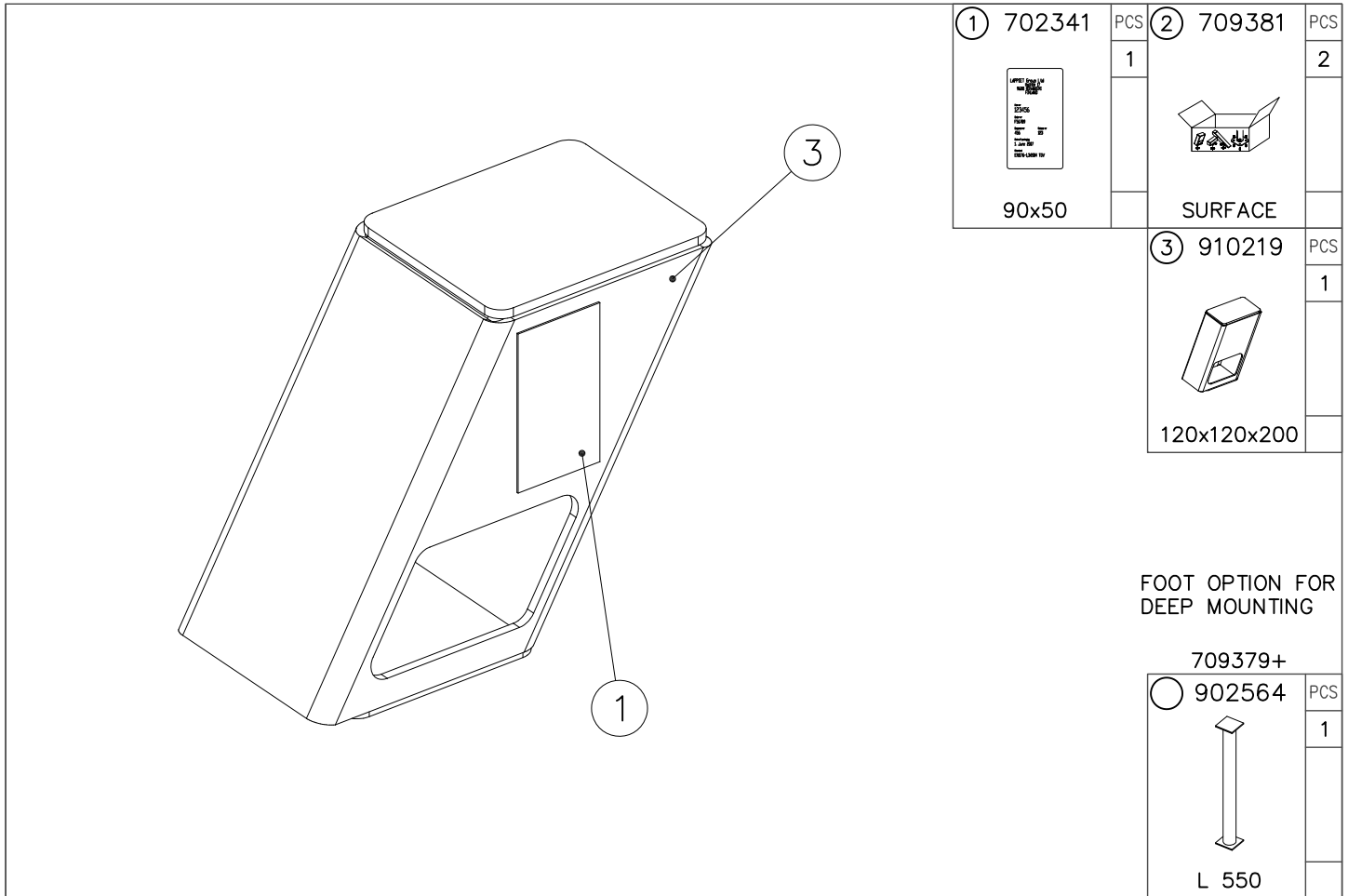
081700M	PCS	081701M	PCS	081702M	PCS	081712M	PCS	081720M	PCS	081722M	PCS
	2		2		1		1		1		1
	PCS		PCS		PCS		PCS		PCS		PCS
	PCS		PCS		PCS		PCS		PCS		PCS
	PCS		PCS		PCS		PCS		PCS		PCS
	PCS		PCS		PCS		PCS		PCS		PCS
	PCS		PCS		PCS		PCS		PCS		PCS
	PCS		PCS		PCS		PCS		PCS		PCS



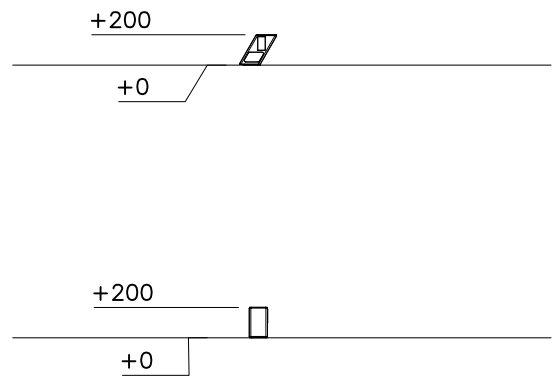
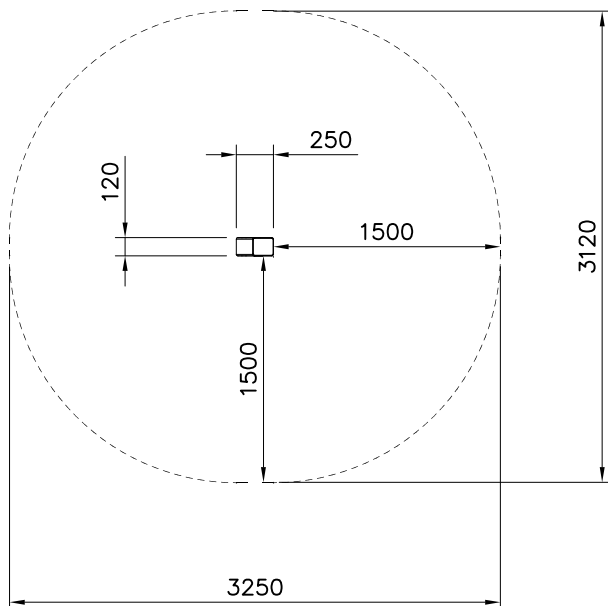




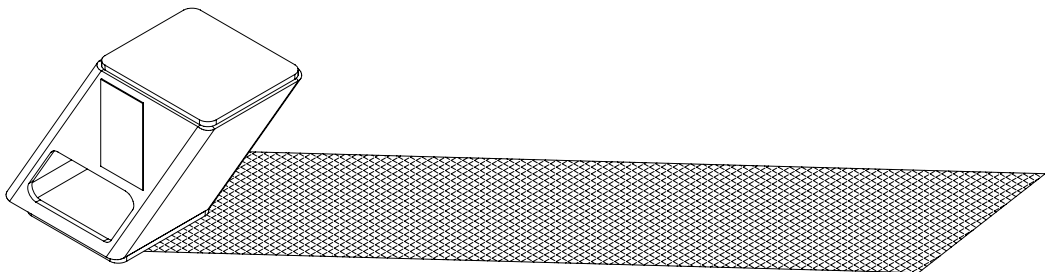
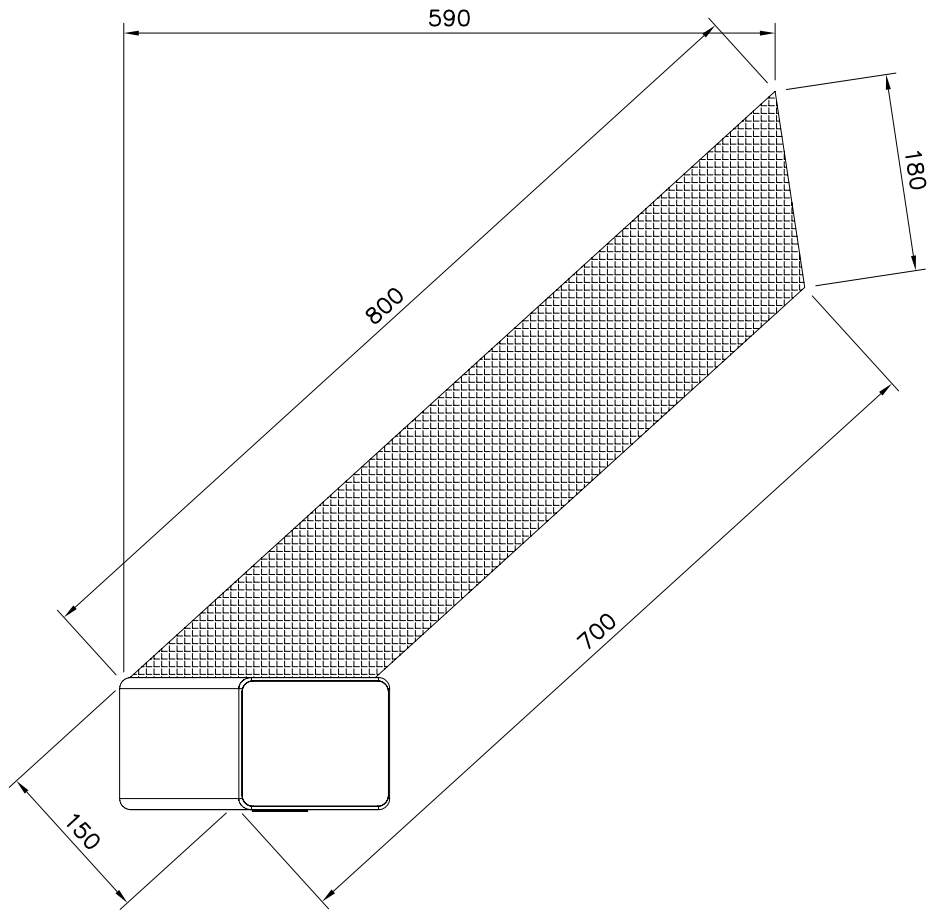


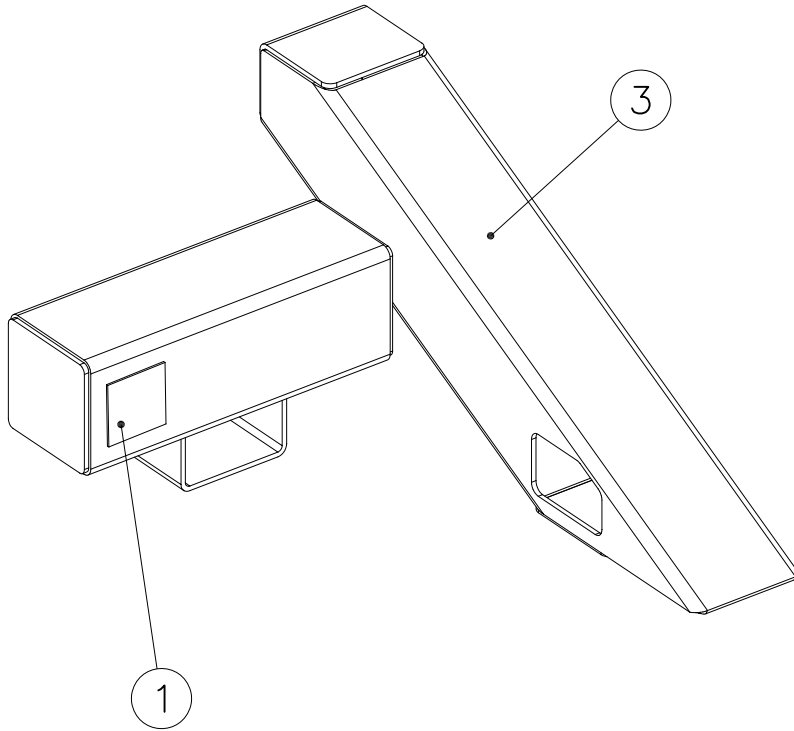


----- Falling Space 8.2 m²
Max Falling Height 200 mm



Shadow lines



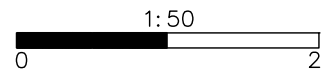


① 702341	PCS	② 709381	PCS
	1		2
90x50		SURFACE	

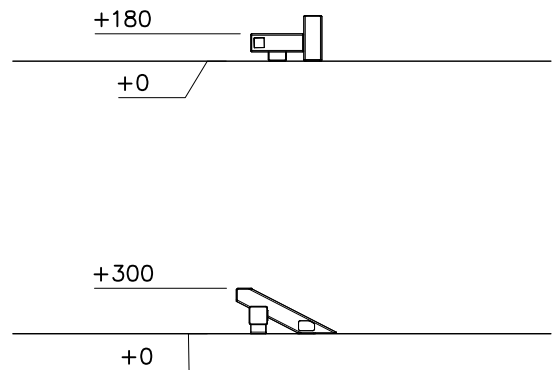
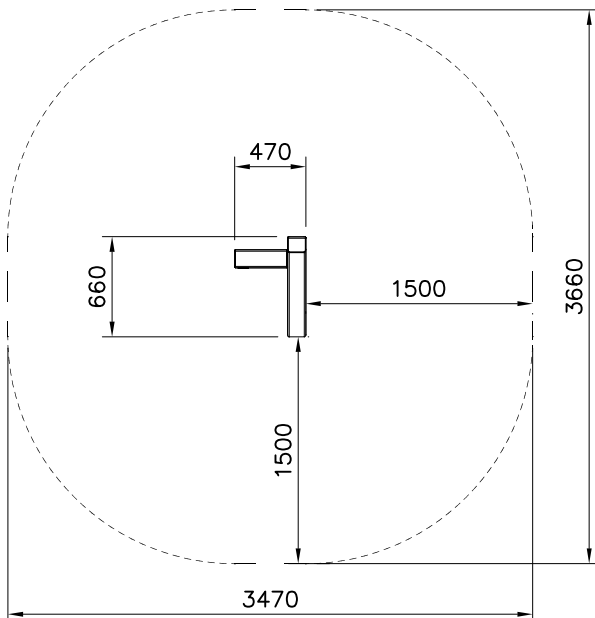
③ 910220	PCS
	1
300x470x662	

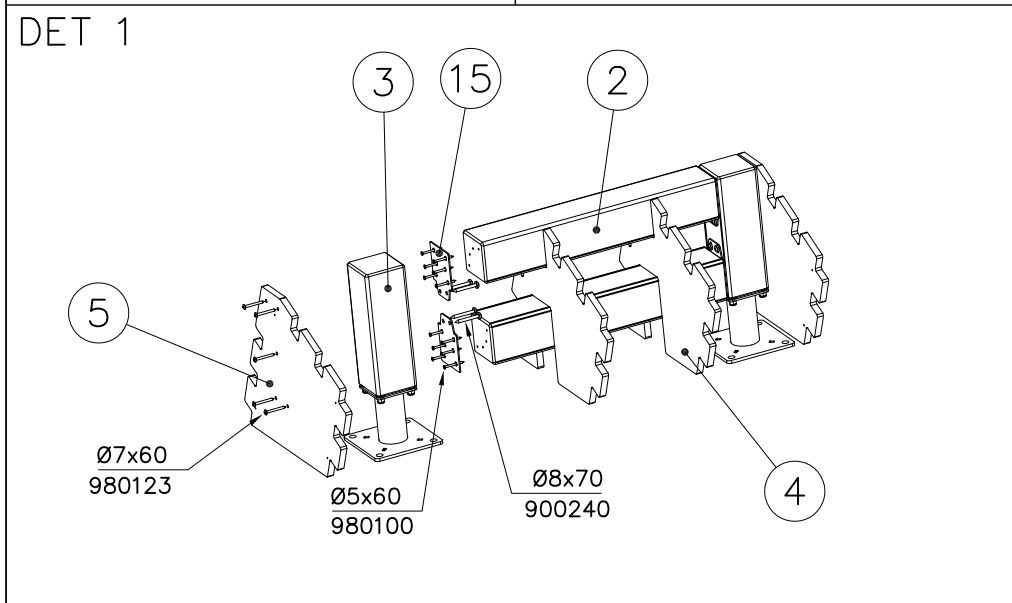
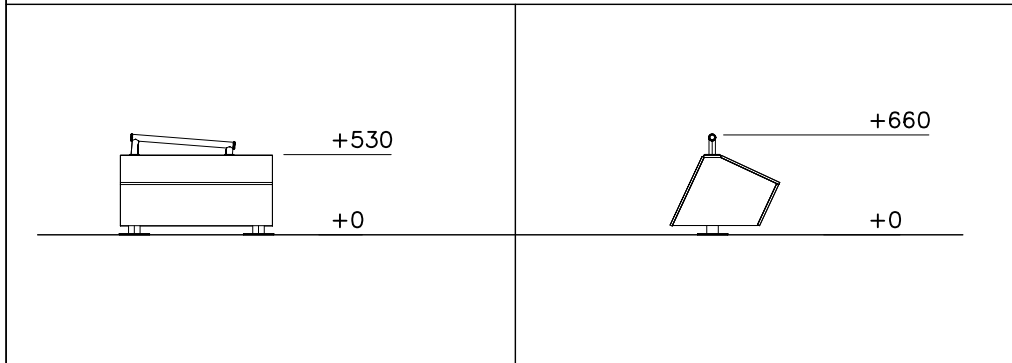
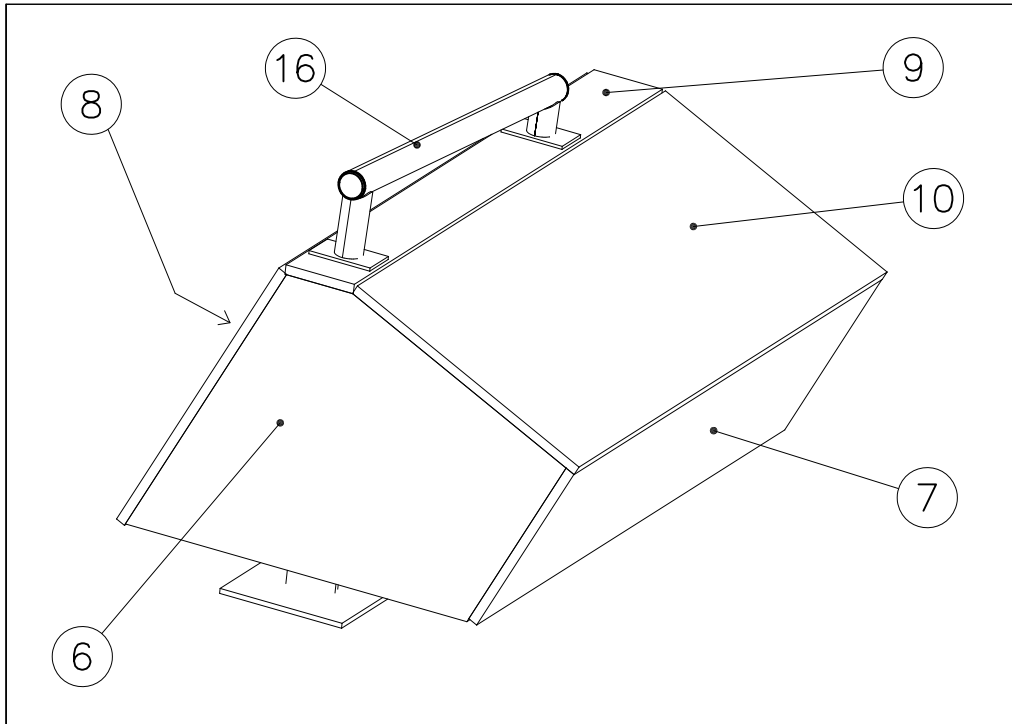
FOOT OPTION FOR DEEP MOUNTING

709379+	
○ 902564	PCS
	2
L 550	



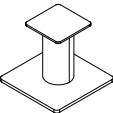
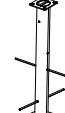
----- Falling Space 10.8 m²
 Max Falling Height 300 mm

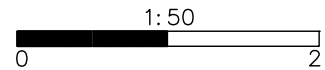
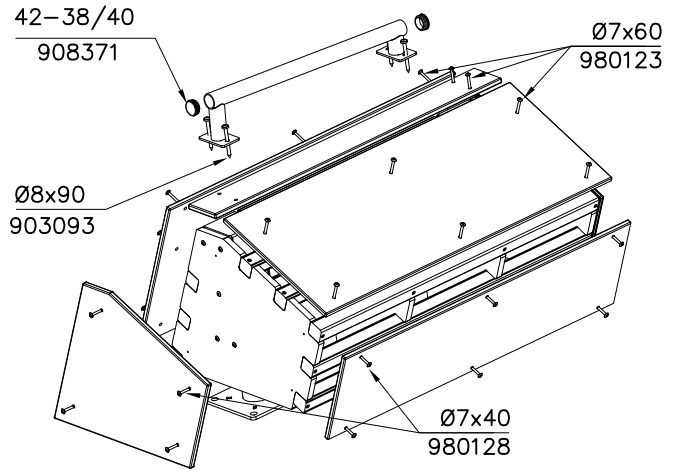
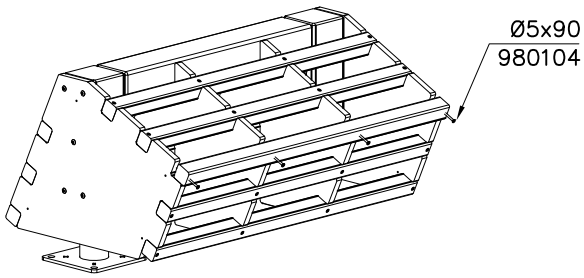
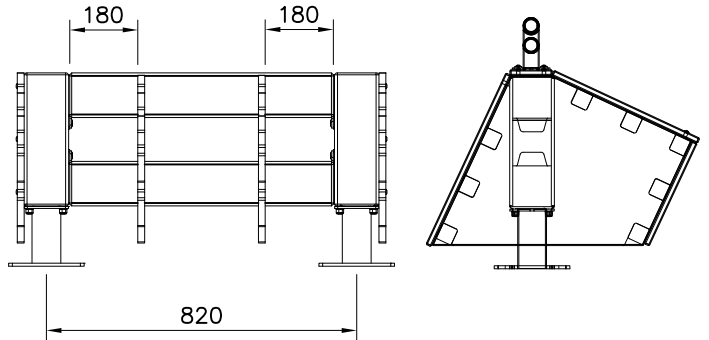




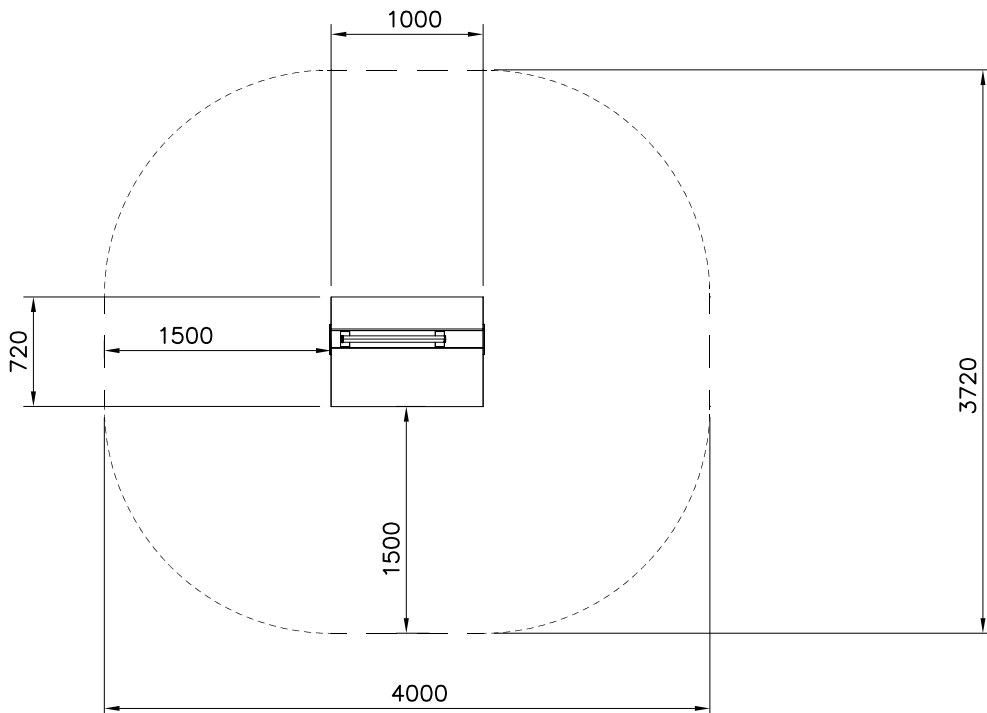
① 702341 90x50	PCS 1	② 708109 118x118x697	PCS 2
③ 708443 118x118x352	PCS 2	④ 708848 18x450x690	PCS 2
⑤ 708849 18x450x690	PCS 2	⑥ 708850 15x450x690	PCS 2
⑦ 708851 15x300x1005	PCS 1	⑧ 708852 15x500x1005	PCS 1
⑨ 708853 15x112x1005	PCS 1	⑩ 708854 15x425x1005	PCS 1
⑪ 708855 45x45x975	PCS 8	⑫ 900240 Ø8x70	PCS 8
⑬ 903093 Ø8x90	PCS 4	⑭ 908371 42-38/40	PCS 2

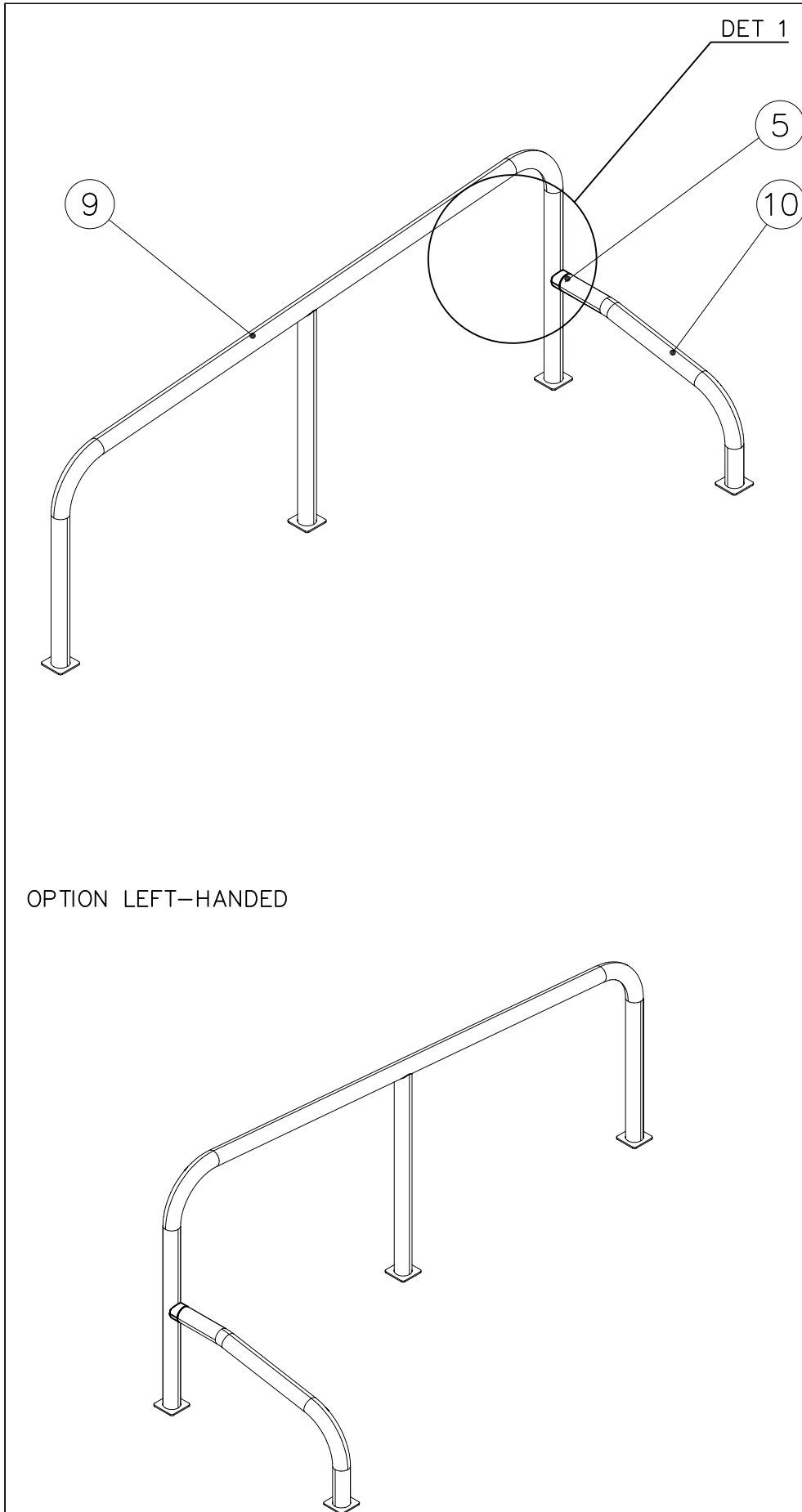
⑮ 908698 3x114x108	PCS 4	⑯ 910056 140x690	PCS 1	⑰ 980100 Ø5x60	PCS 24	⑱ 980104 Ø5x90	PCS 32	⑲ 980123 Ø7x60	PCS 27	⑳ 980128 Ø7x40	PCS 14
---------------------------	----------	-------------------------	----------	-----------------------	-----------	-----------------------	-----------	-----------------------	-----------	-----------------------	-----------

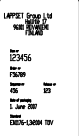

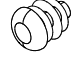
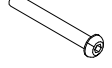
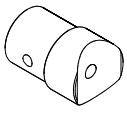



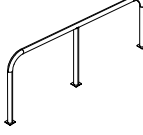
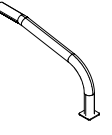

709261+		709262+	
○ 910330	PCS	○ 910567	PCS
SURFACE	2	CONCRETE	2
			
152x200x200		117x117x715	

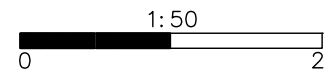
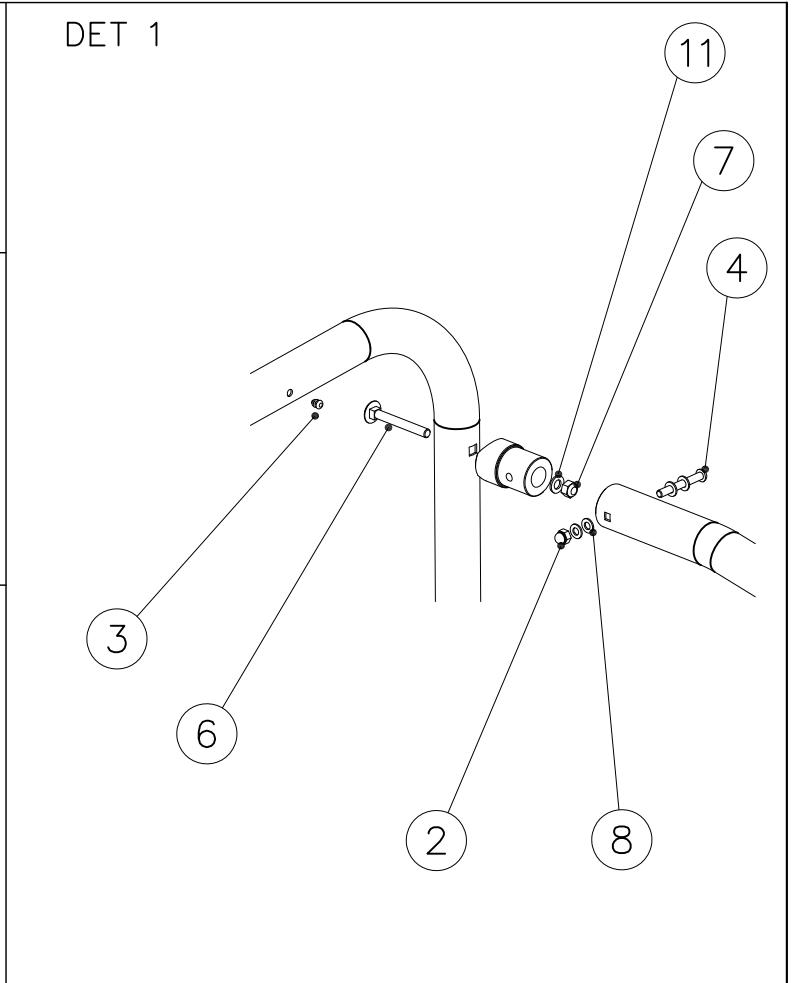
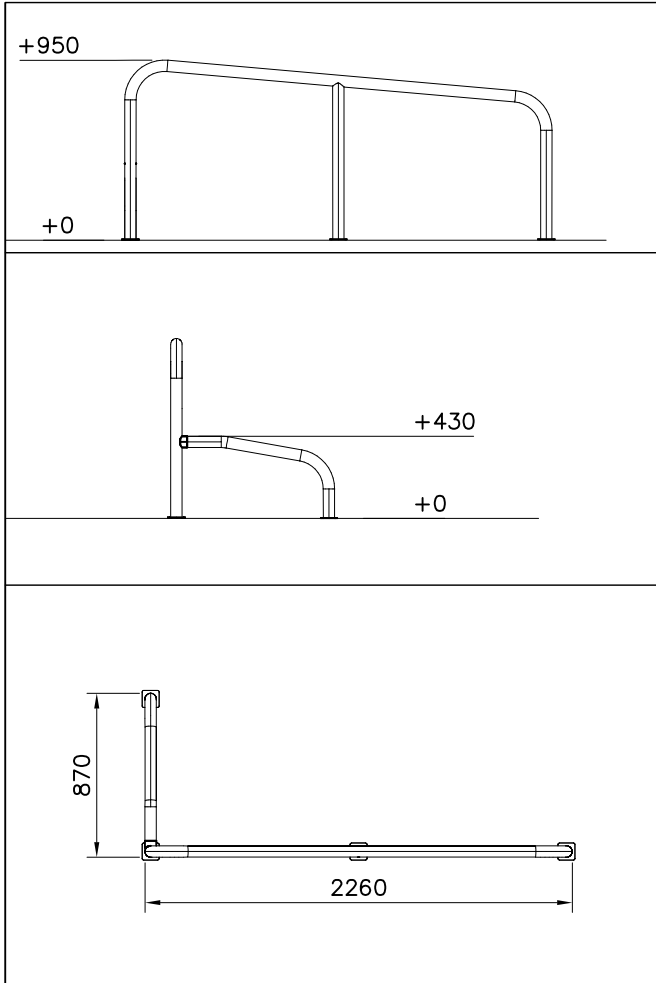


----- Falling Space 13 m²
Max Falling Height 660 mm

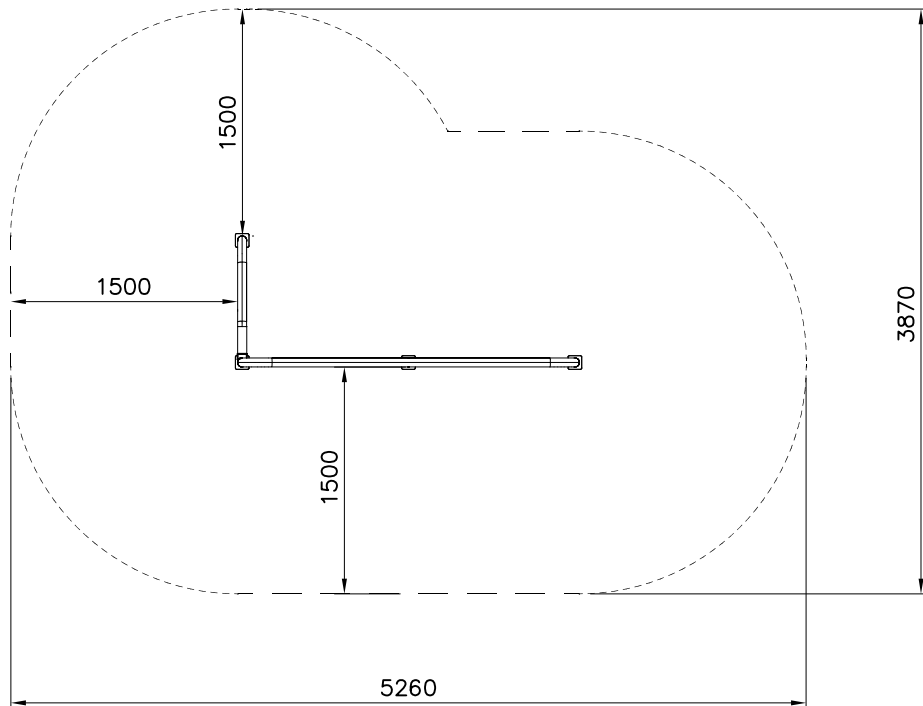


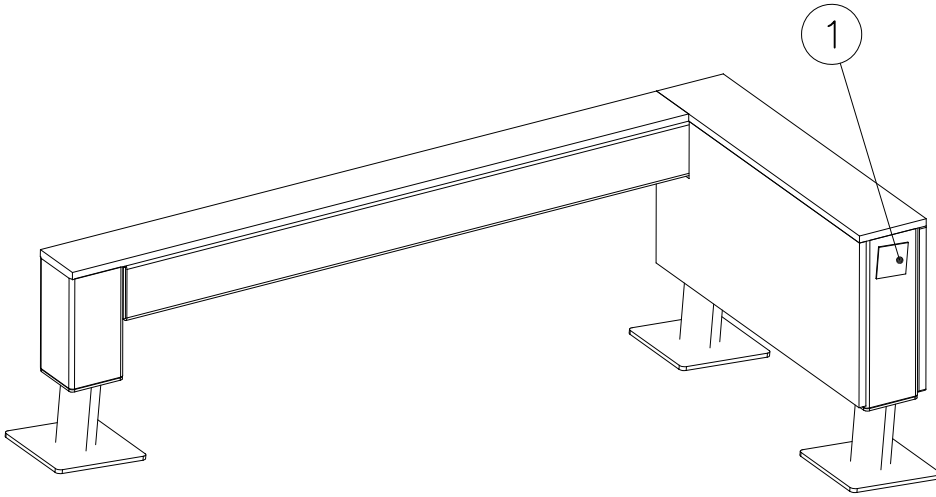



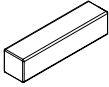



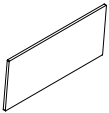
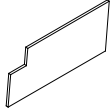
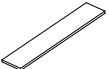

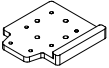
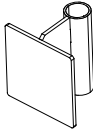




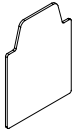
①	702341	PCS	②	900965	PCS
		1			1
	90x50			M10	
③	903533	PCS	④	904133	PCS
		4			1
	SRL12			M10x80	
⑤	908069	PCS	⑥	909111	PCS
		1			1
	Ø60x87.6			M12x100	
⑦	909248	PCS	⑧	909638	PCS
		1			4
	M12			Ø20/10.5	
⑨	910255	PCS	⑩	910262	PCS
		1			1
	Ø60x950x2290			Ø60x435x795	
⑪	980154	PCS			PCS
		1			
	Ø24/13				

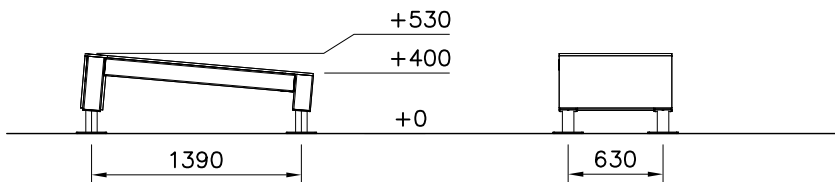


----- Falling Space 16.2 m²
 Max Falling Height 950 mm

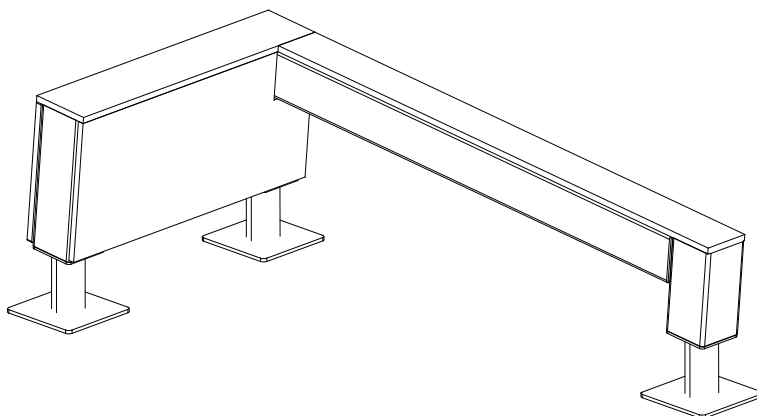







① 702286  65x65	PCS 1	② 707210  118x118x503	PCS 2
③ 707212  118x118x1254	PCS 1	④ 708347  118x118x231	PCS 1
⑤ 708443  118x118x352	PCS 2	⑥ 708727  15x346x745	PCS 1
⑦ 708730  15x346x745	PCS 1	⑧ 708733  15x148x745	PCS 1
⑨ 708734  15x118x1365	PCS 1	⑩ 708857 JIG  20x133x149	PCS 1
⑪ 910266  90x108x118	PCS 2	⑫ 900240  Ø8x70	PCS 16
⑬ 903093  Ø8x90	PCS 4	⑭ 905103  PT-28/32-H	PCS 2
⑮ 905112  Ø22	PCS 4	⑯ 908698  3x114x108	PCS 4

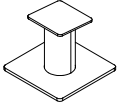



INSTALLATION OF A SECOND HAND

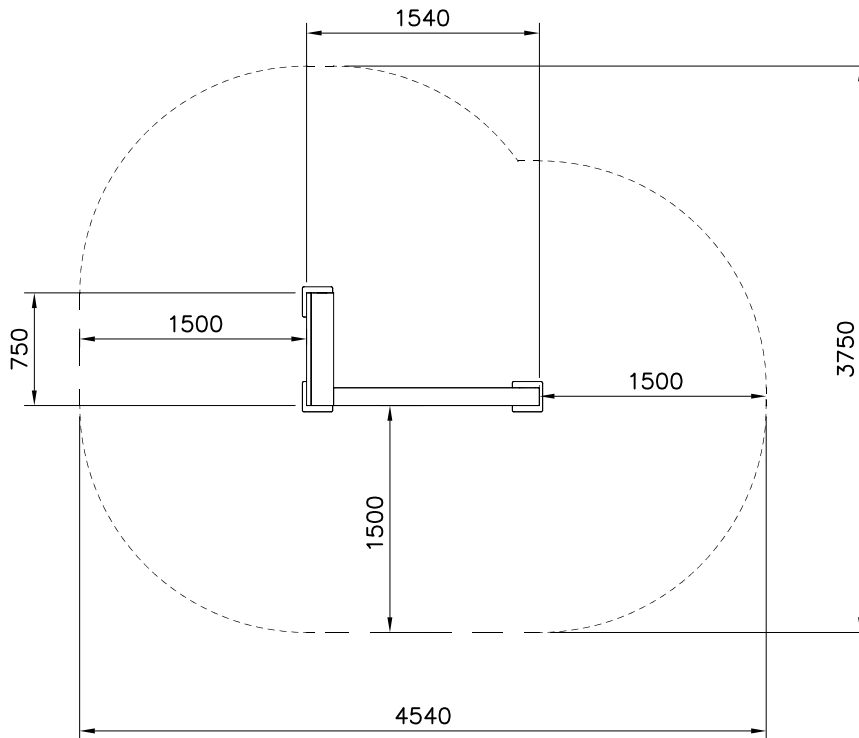
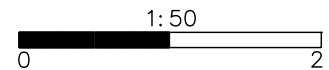


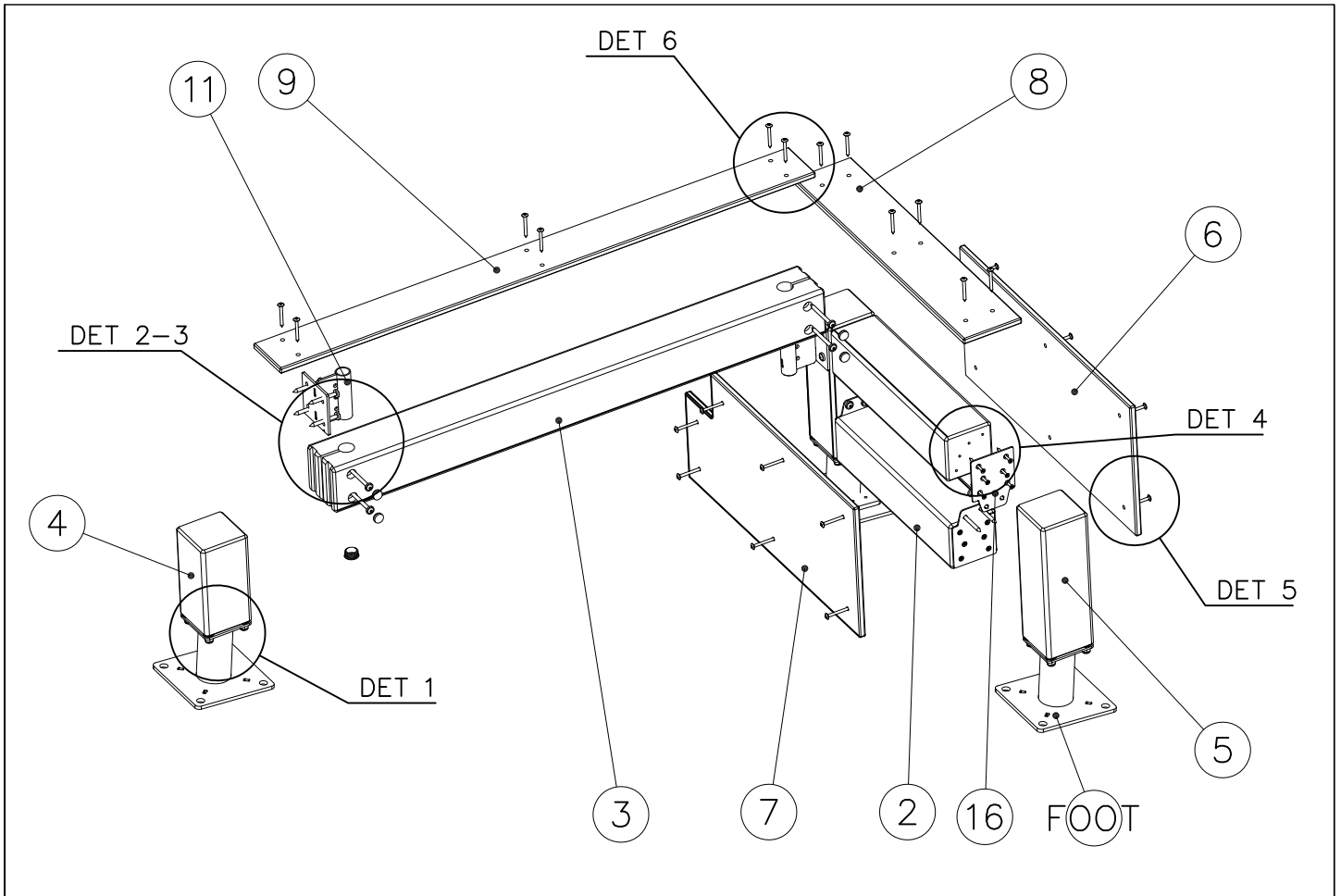
17	980100	PCS	18	980114	PCS	19	980123	PCS
		28			4			25
								
	Ø5x60			Ø4x20			Ø7x60	

FOOT OPTIONS

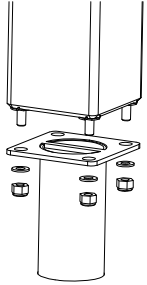
709261+		709262+	
○ 910267	PCS	○ 910567	PCS
SURFACE	3	CONCRETE	3
			
152x200x200		117x117x715	

----- Falling Space 13.8 m²
Max Falling Height 530 mm

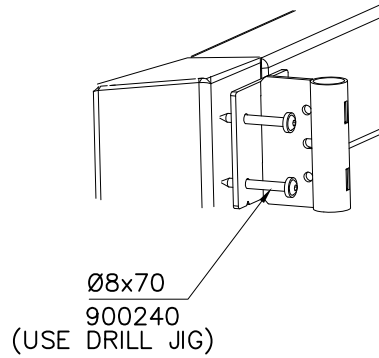




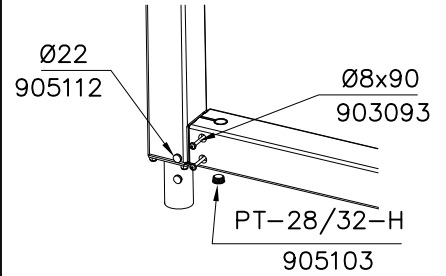
DET 1



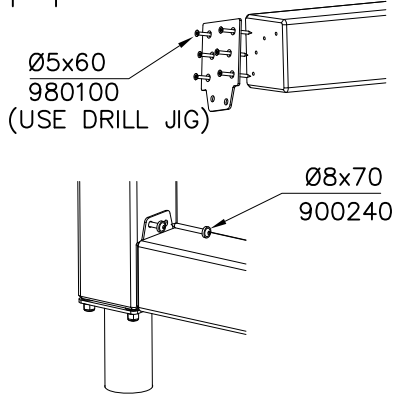
DET 2



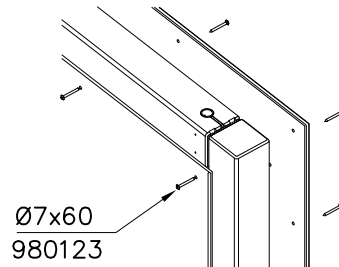
DET 3



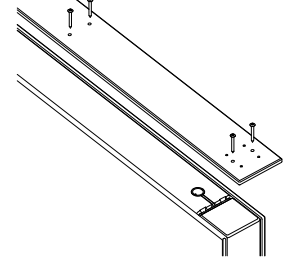
DET 4



DET 5

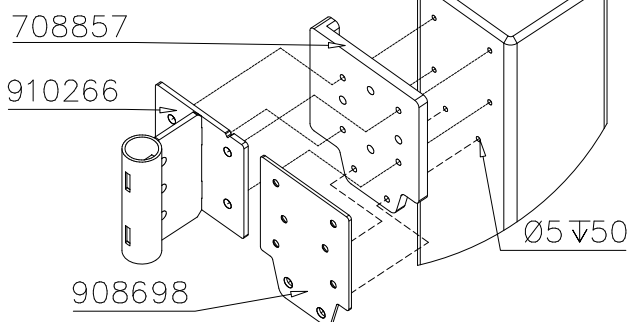


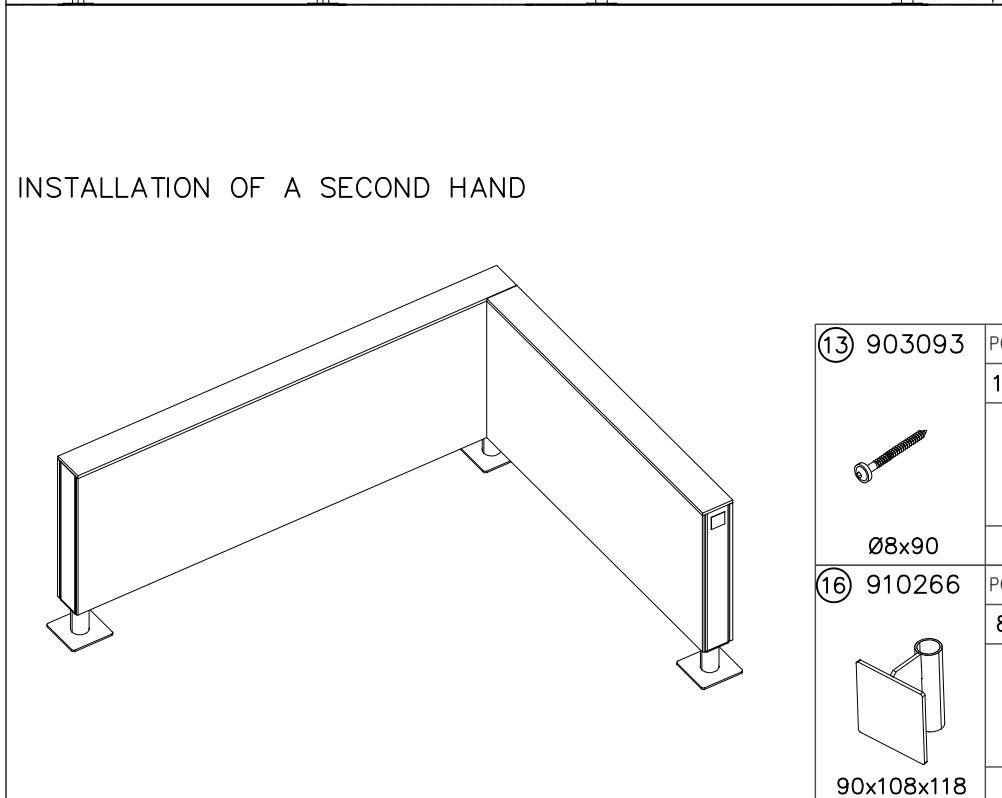
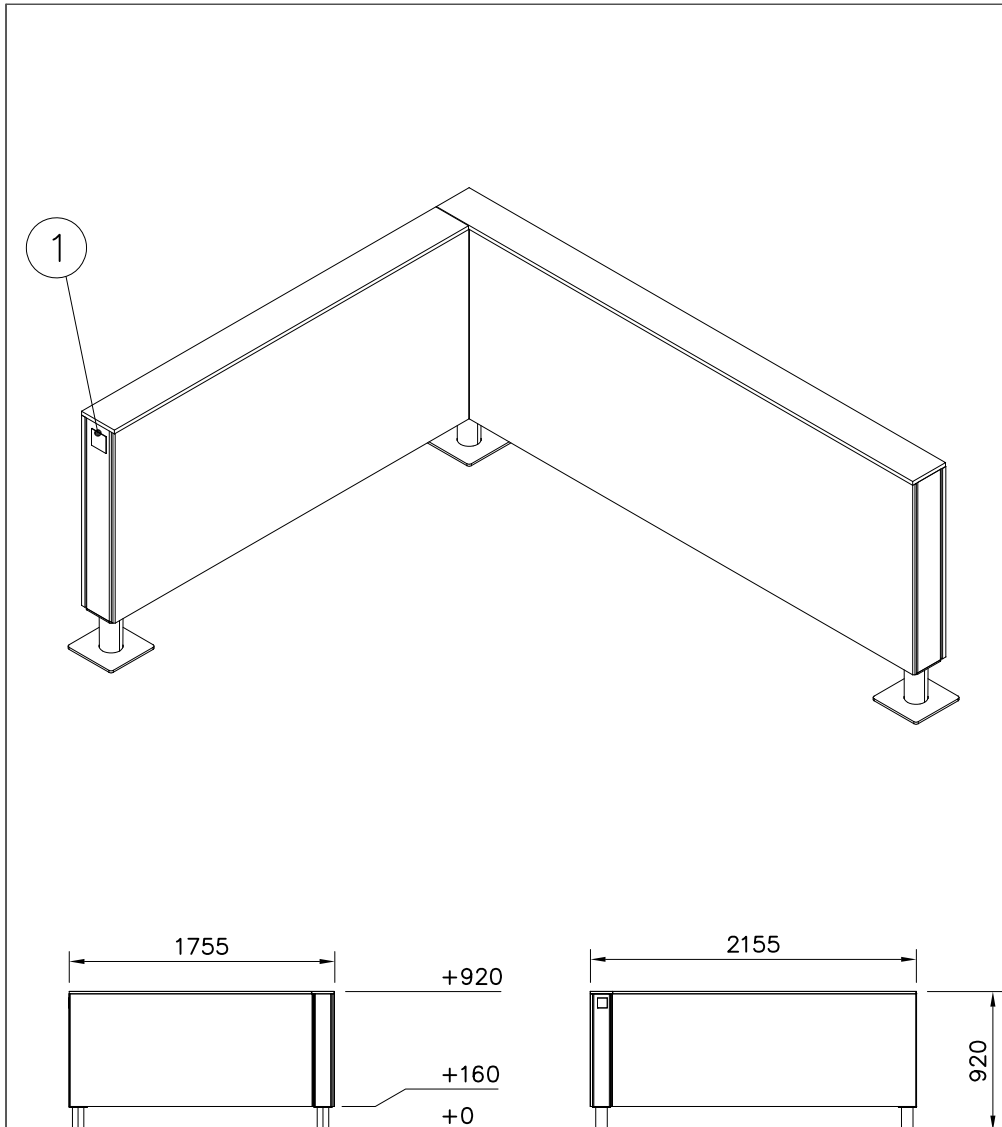
Ø7x60
980123



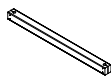


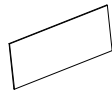

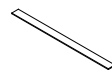
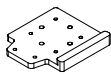
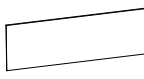





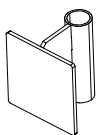




JIG DET A (USE DET 2-4)

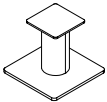
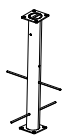
NOTE:
Use drill jig 708857
to predrill Ø5 ∇ 50
holes for 910266
and 908698



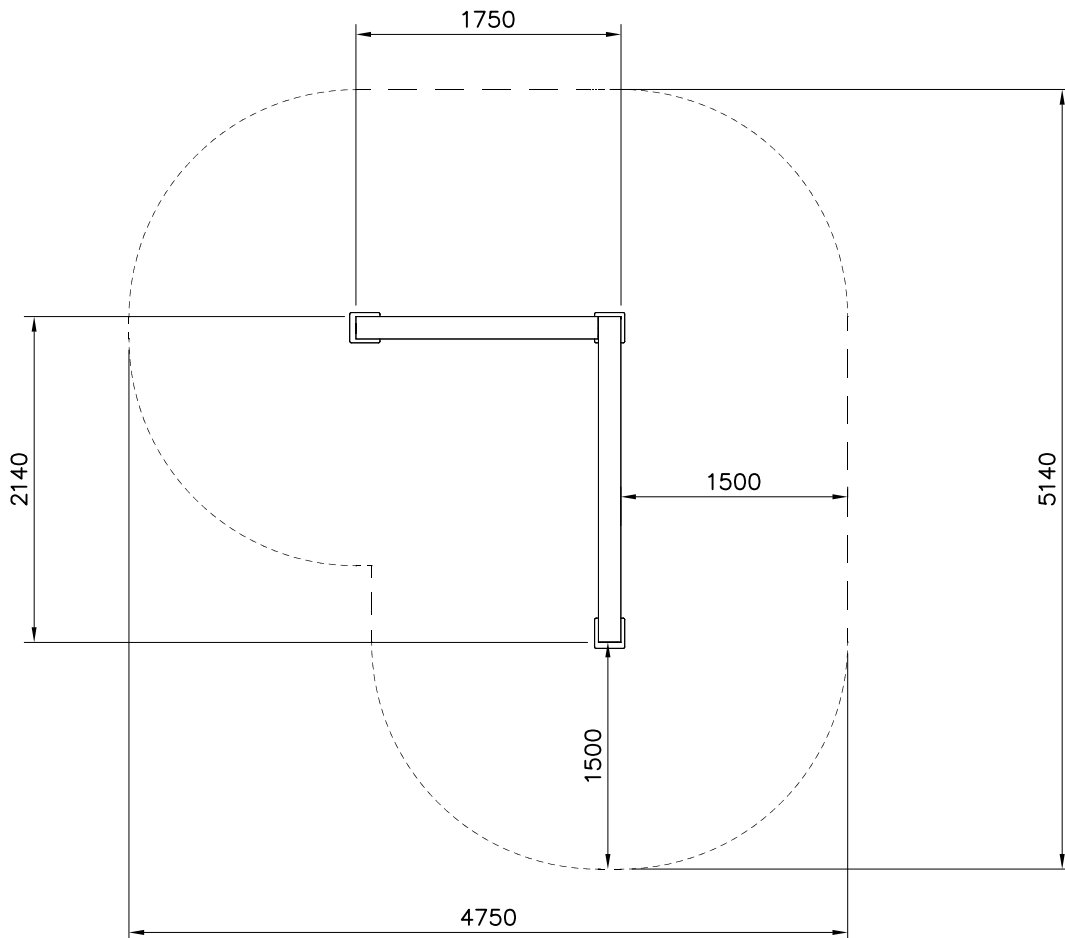
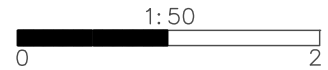


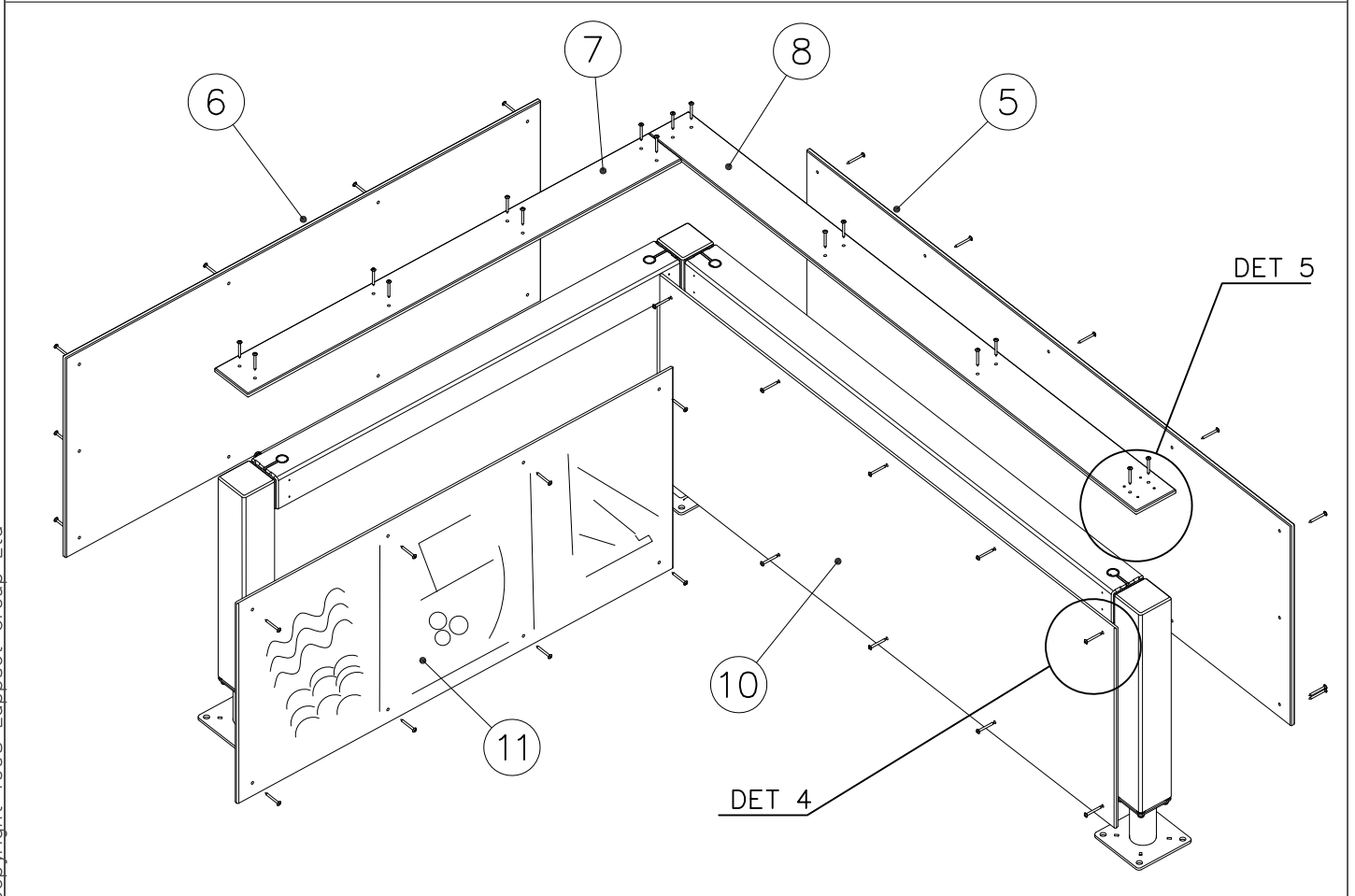
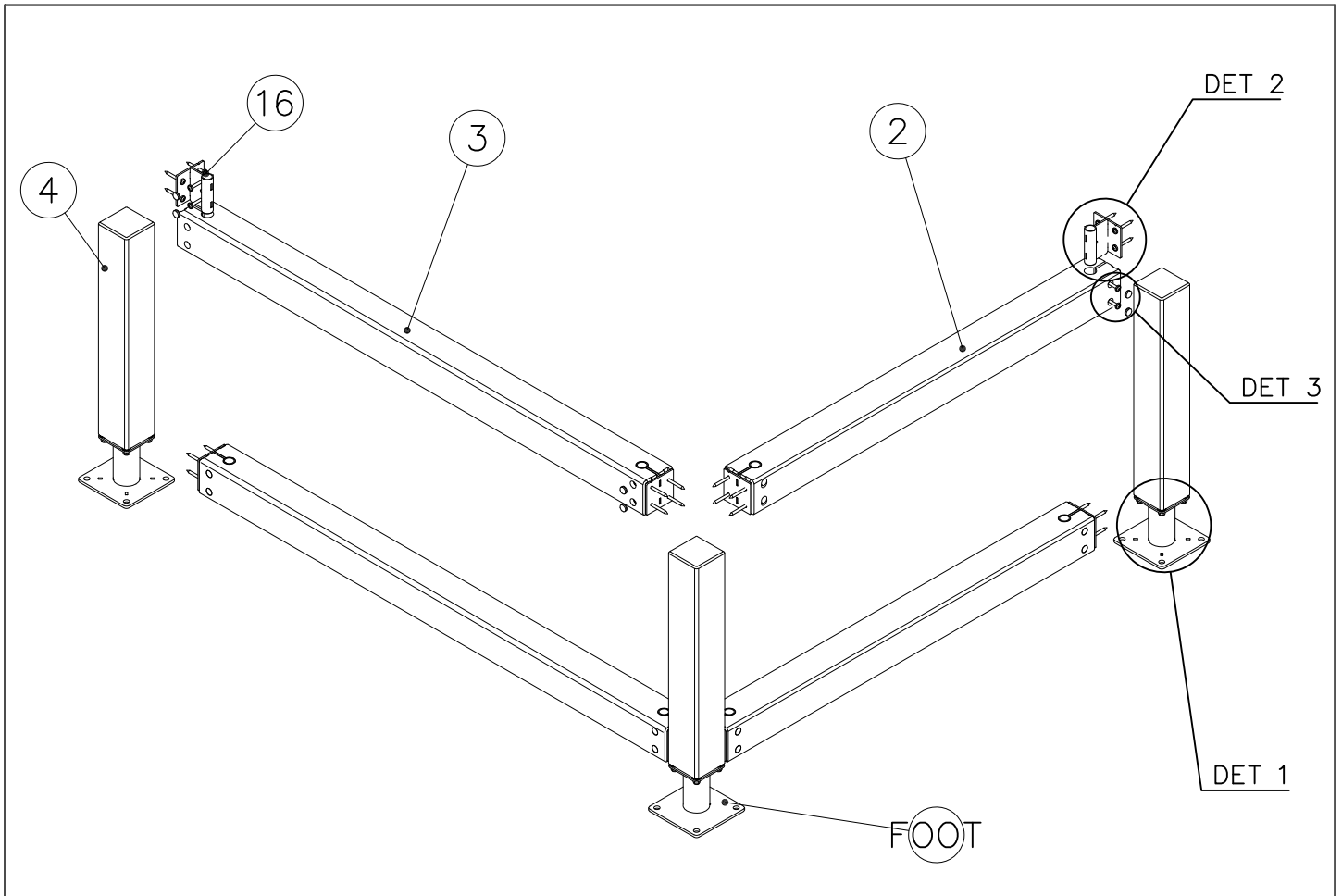
① 702286  65x65	PCS 1	② 707213  118x118x1490	PCS 2
③ 707517  118x118x1892	PCS 2	④ 708137  118x118x745	PCS 3
⑤ 708715  15x745x2140	PCS 1	⑥ 708716  15x745x1753	PCS 1
⑦ 708737  15x148x1601	PCS 1	⑧ 708738  15x148x2153	PCS 1
⑨ 708857 JIG  20x133x149	PCS 1	⑩ 911309 COLOR  12x745x2015	PCS 1
⑪ 911311 MURAL  12x745x1610	PCS 1	⑫ 900240  Ø8x70	PCS 32
⑬ 903093  Ø8x90	PCS 16	⑭ 905103  PT-28/32-H	PCS 8
⑮ 905112  Ø22	PCS 16	⑯ 901266  90x108x118	PCS 8
⑰ 980123  Ø7x60	PCS 56	⑱ 980114  Ø4x20	PCS 4

FOOT OPTIONS

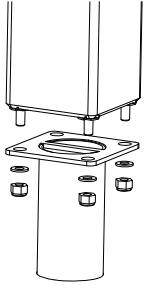
709261+		709262+	
<input type="radio"/> 910330	PCS	<input type="radio"/> 910567	PCS
SURFACE	3	CONCRETE	3
			
152x200x200		117x117x715	

----- Falling Space 18.8 m²
Max Falling Height 920 mm

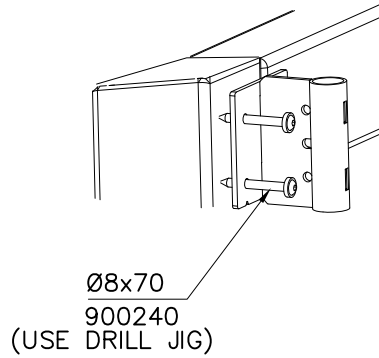




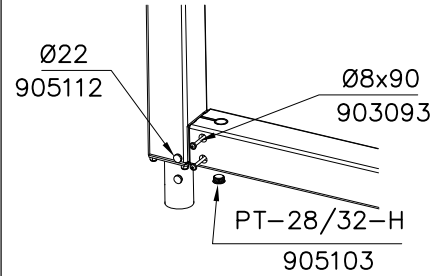
DET 1



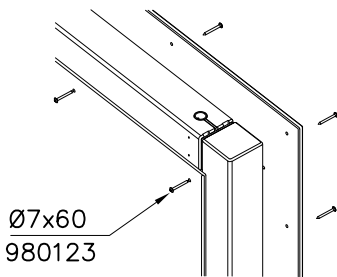
DET 2



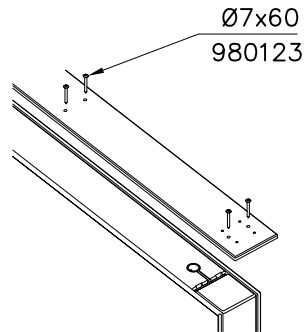
DET 3



DET 4

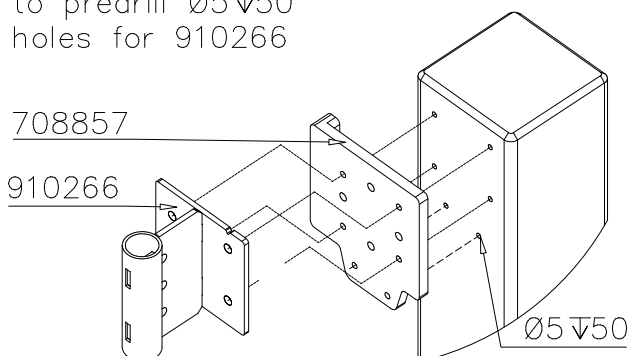


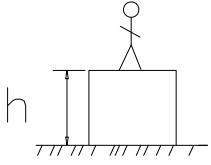
DET 5



JIG DET A (USE DET 2)

NOTE:
Use drill jig 708857
to predrill $\text{Ø}5 \nabla 50$
holes for 910266





$h < 1600$

Totally hard surfaces or materials with very limited impact attenuating properties.

Case by case risk assessment is needed including e.g. evaluation whether there is forced movement, what is the intended exercise and where will the product be installed.

Materials with significant impact attenuating properties.

Totally hard surfaces.
E.g. concrete or asphalt



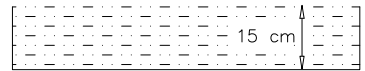
Materials with very limited impact attenuating properties.
E.g. wood



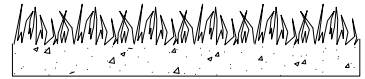
fine gravel 0–8 mm



Unsorted sand/ topsoil



Lawn

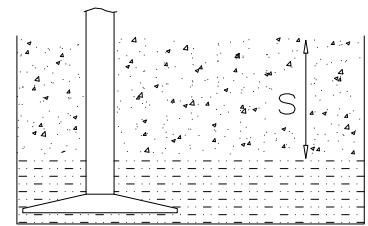


$h = 1600-$

$h < 3000$

Loose fill material

E.g.
sand/gravel 0,25...8 mm $D_{60}/D_{10} < 3,0$
Woodchips 5...30 mm
bark 20...80 mm



\underline{S}
30 cm \underline{h}
< 3,0 m

Syntethic granulates

\underline{S}	\underline{h}
40 mm	~> 1,6...~< 1,8 m
50 mm	~> 1,8...~< 2,25 m
55 mm	~> 2,25...~< 2,4 m
60 mm	~> 2,4...~< 2,55 m
70 mm	~> 2,55...~< 3,0 m

Note. For accurate values, see manufacturer's instructions.

