

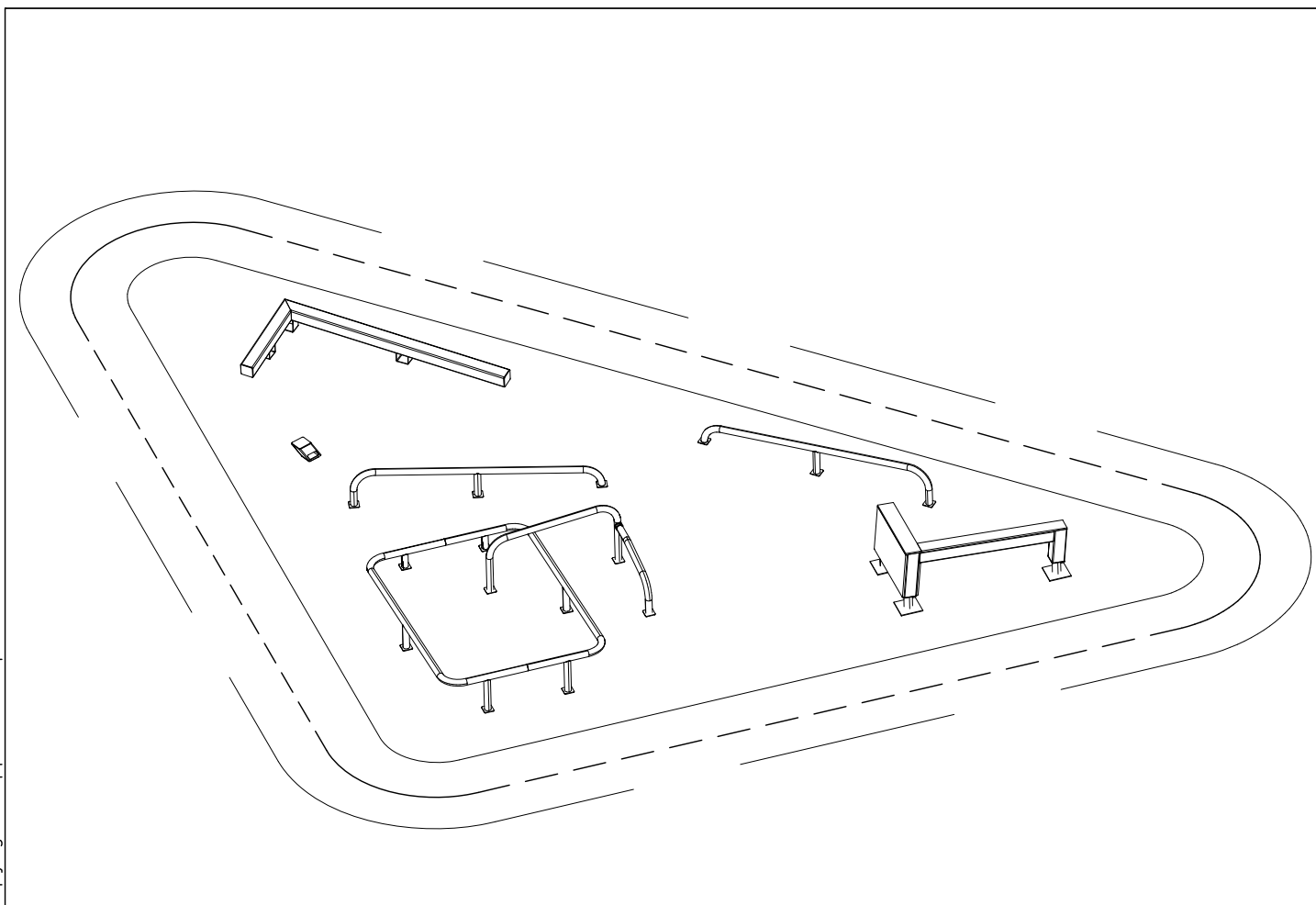
LAPPSET®

DASH PARKOUR

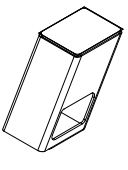
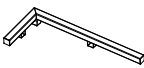
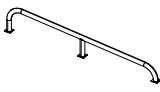
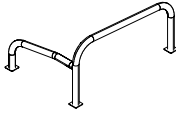
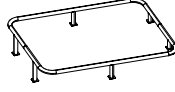
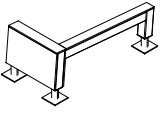






ASENNUSOHJE
MONTERINGSANSVISNING
INSTALLATION INSTRUCTION
AUFBAUANLEITUNG
NOTICE D'INSTALLATION

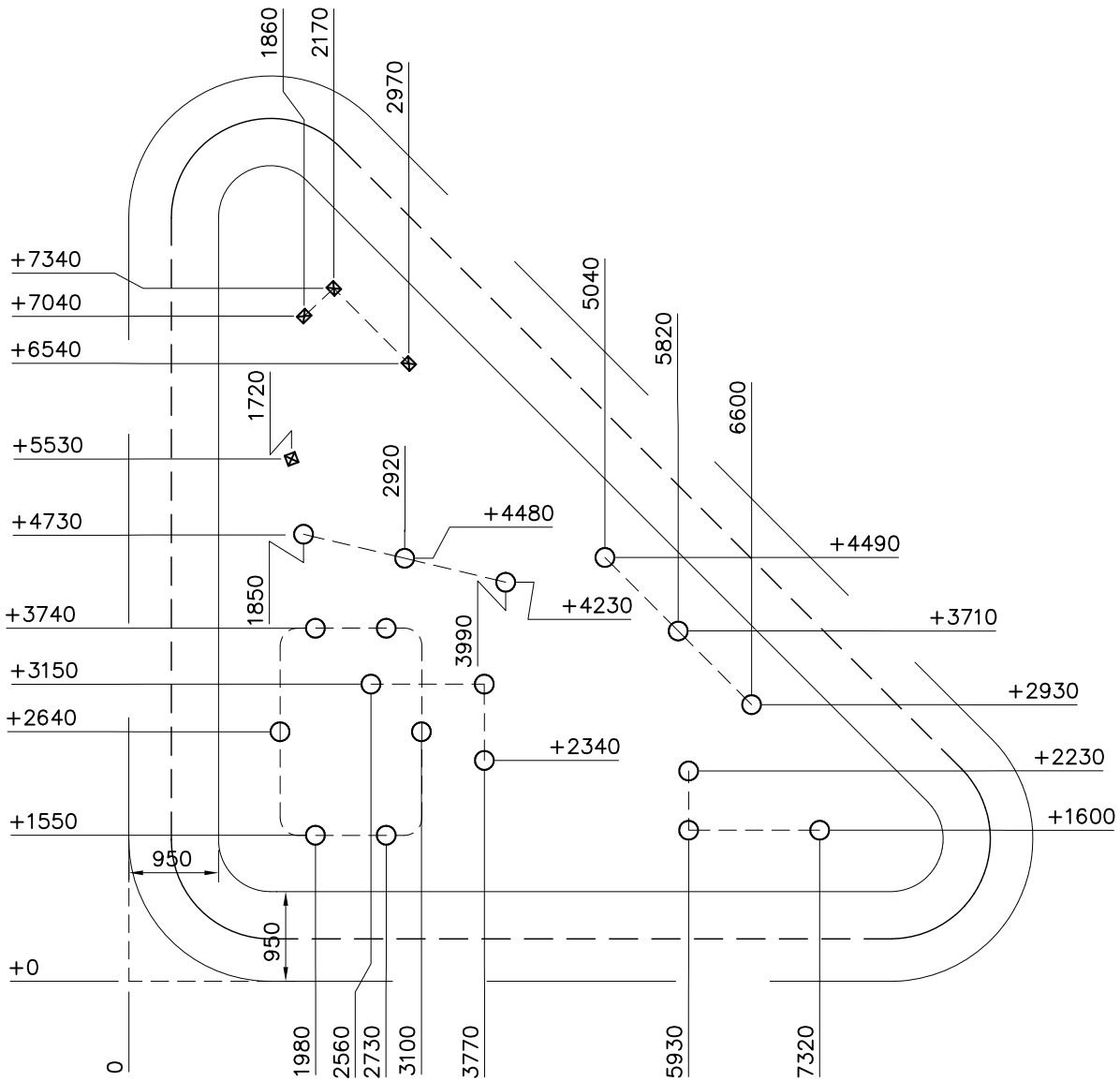
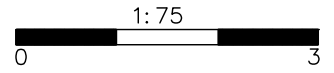
DATE: 11.12.2019

081761M

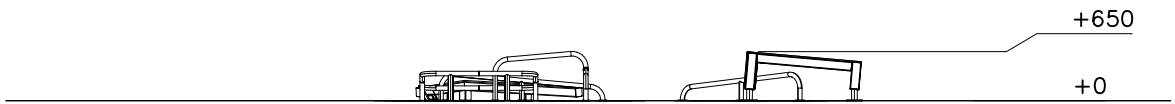
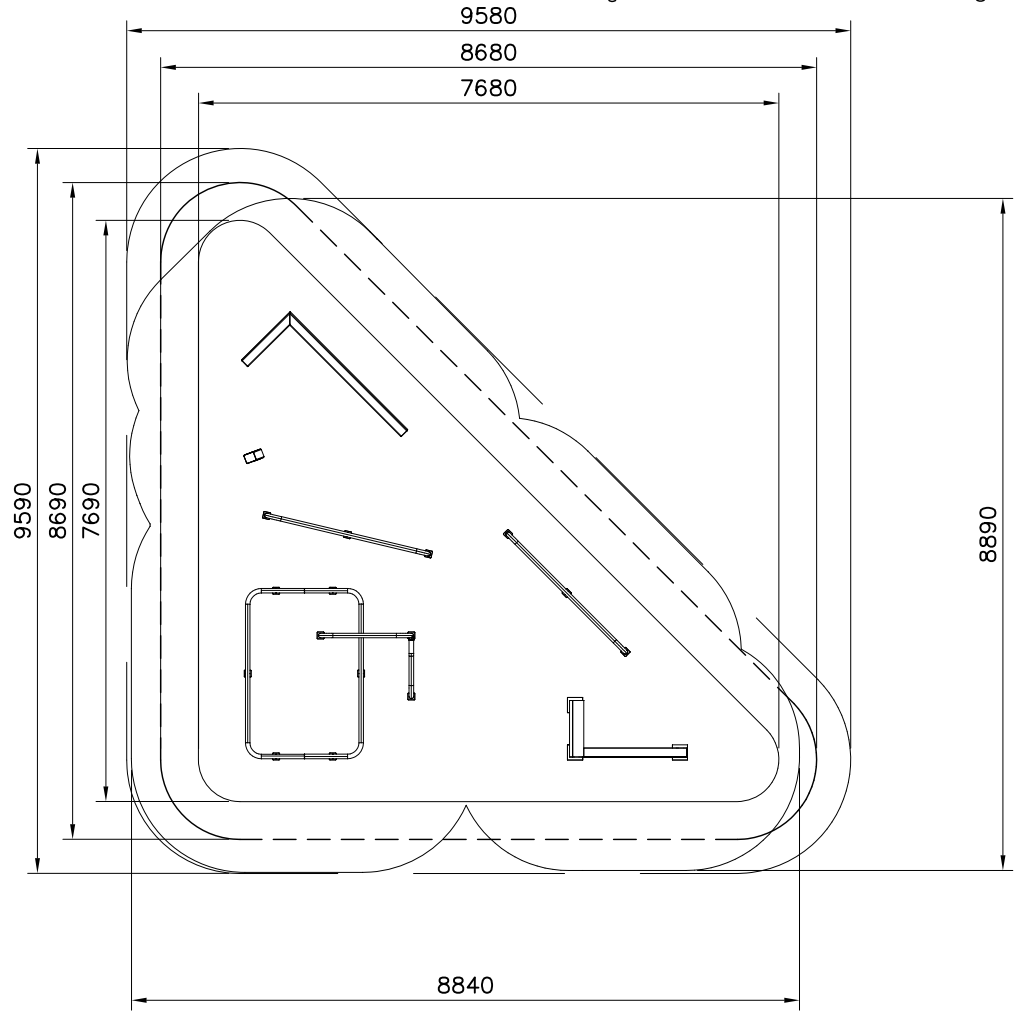
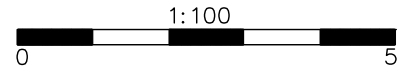


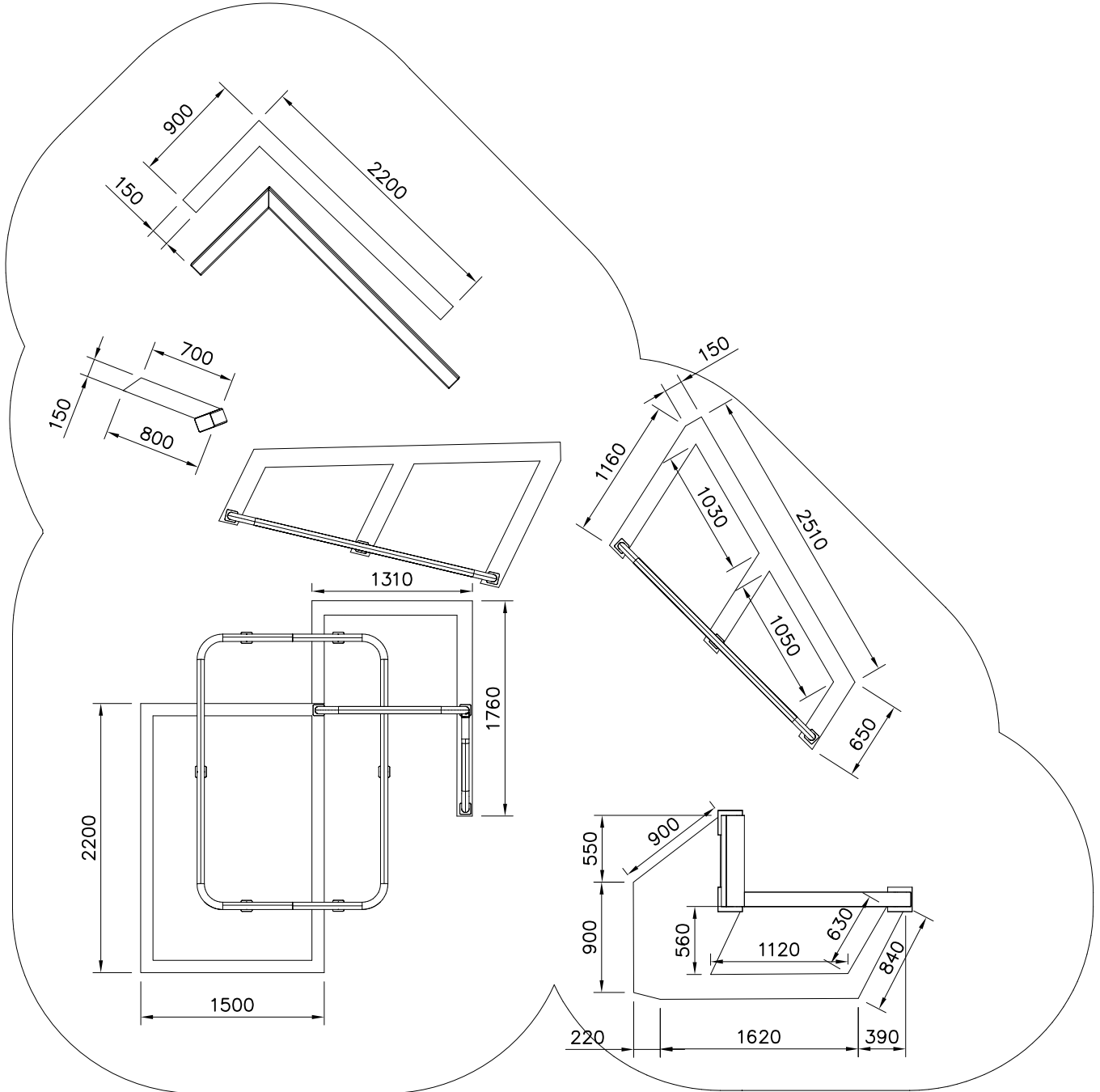
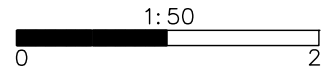
DATE: 11.12.2019

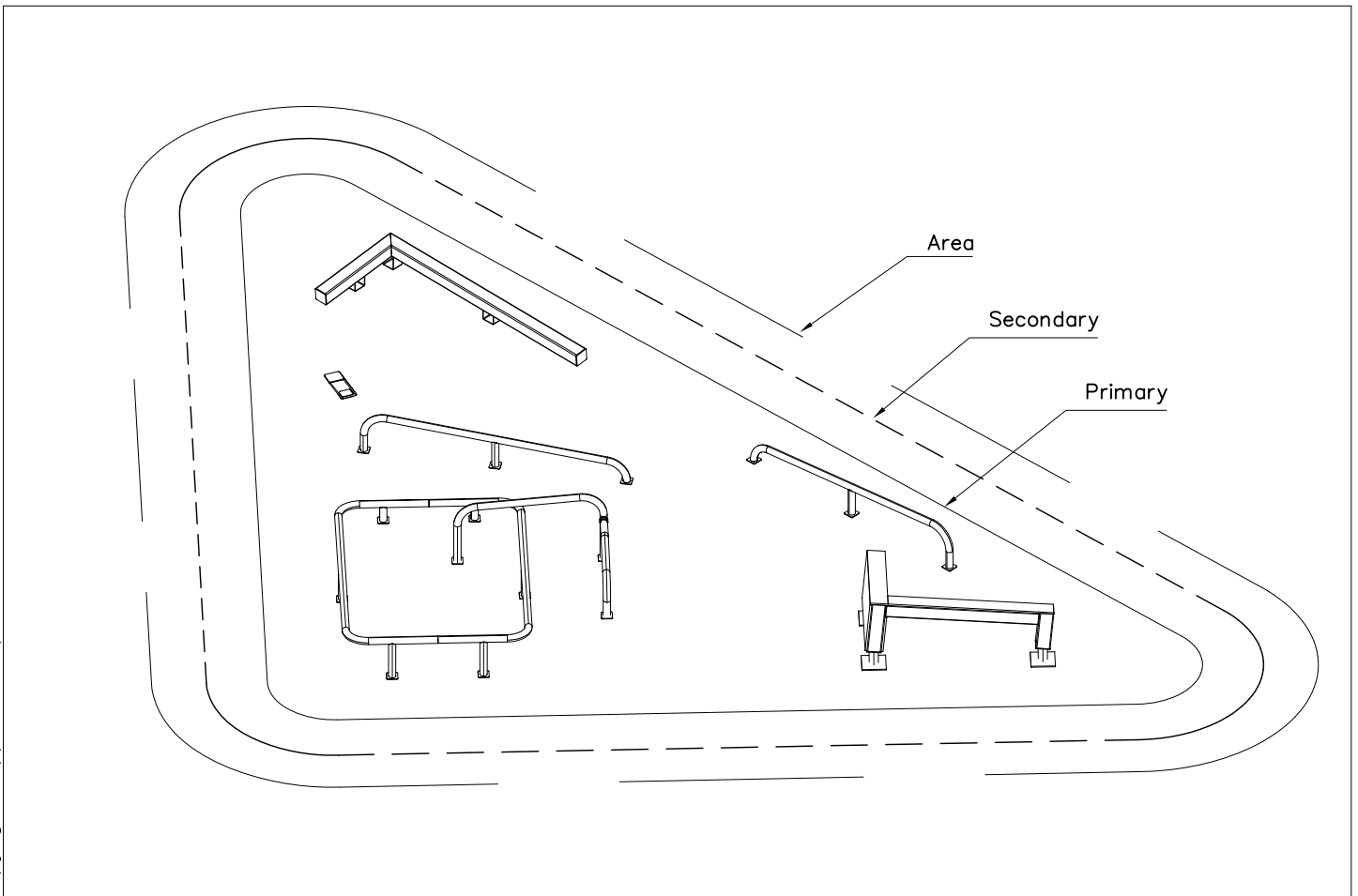
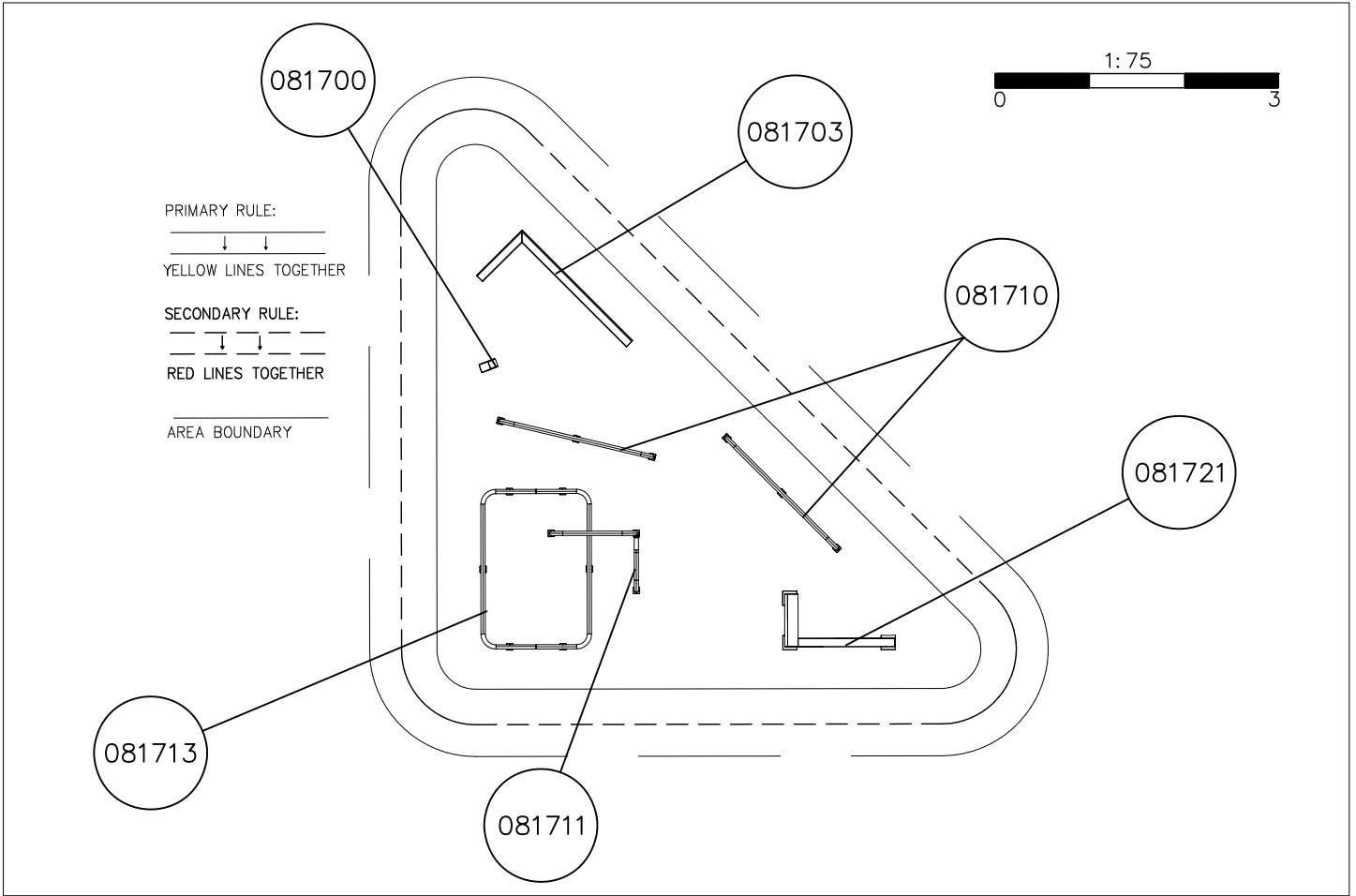
081700M	PCS	081703M	PCS	081710M	PCS	081711M	PCS	081713M	PCS	081721M	PCS
	1		1		2		1		1		1
											
	PCS		PCS		PCS		PCS		PCS		PCS
	PCS		PCS		PCS		PCS		PCS		PCS
	PCS		PCS		PCS		PCS		PCS		PCS
	PCS		PCS		PCS		PCS		PCS		PCS

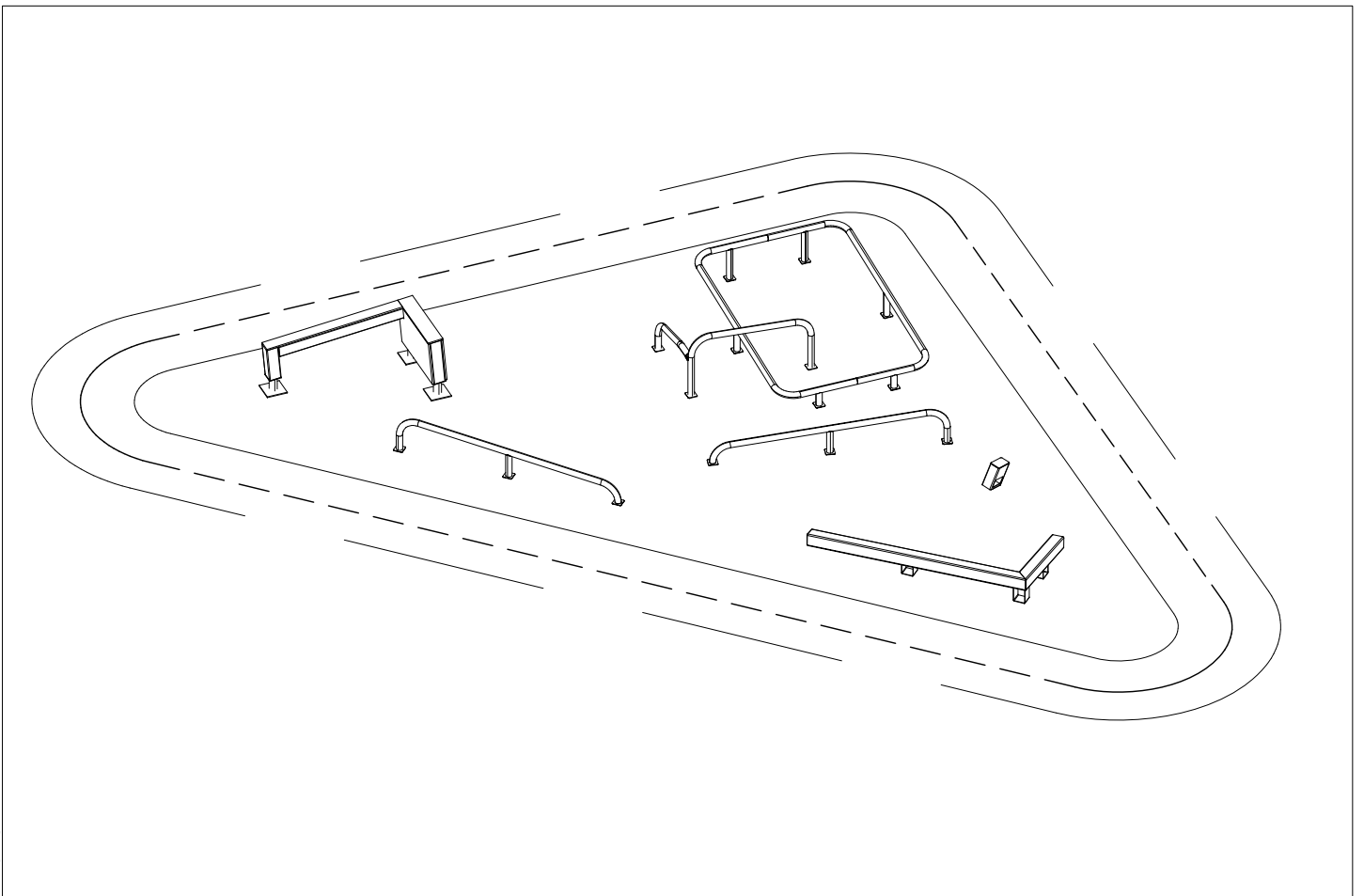
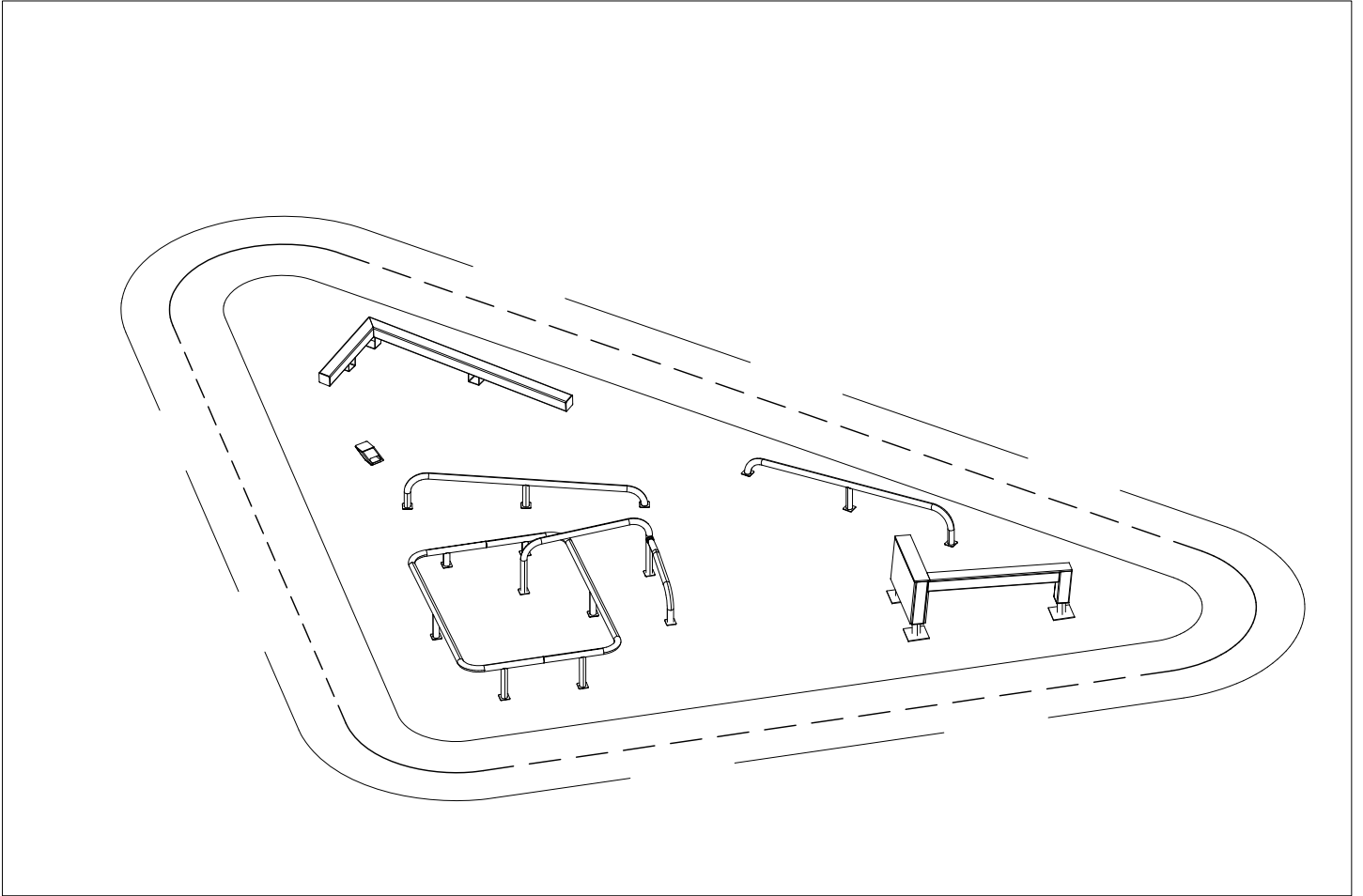


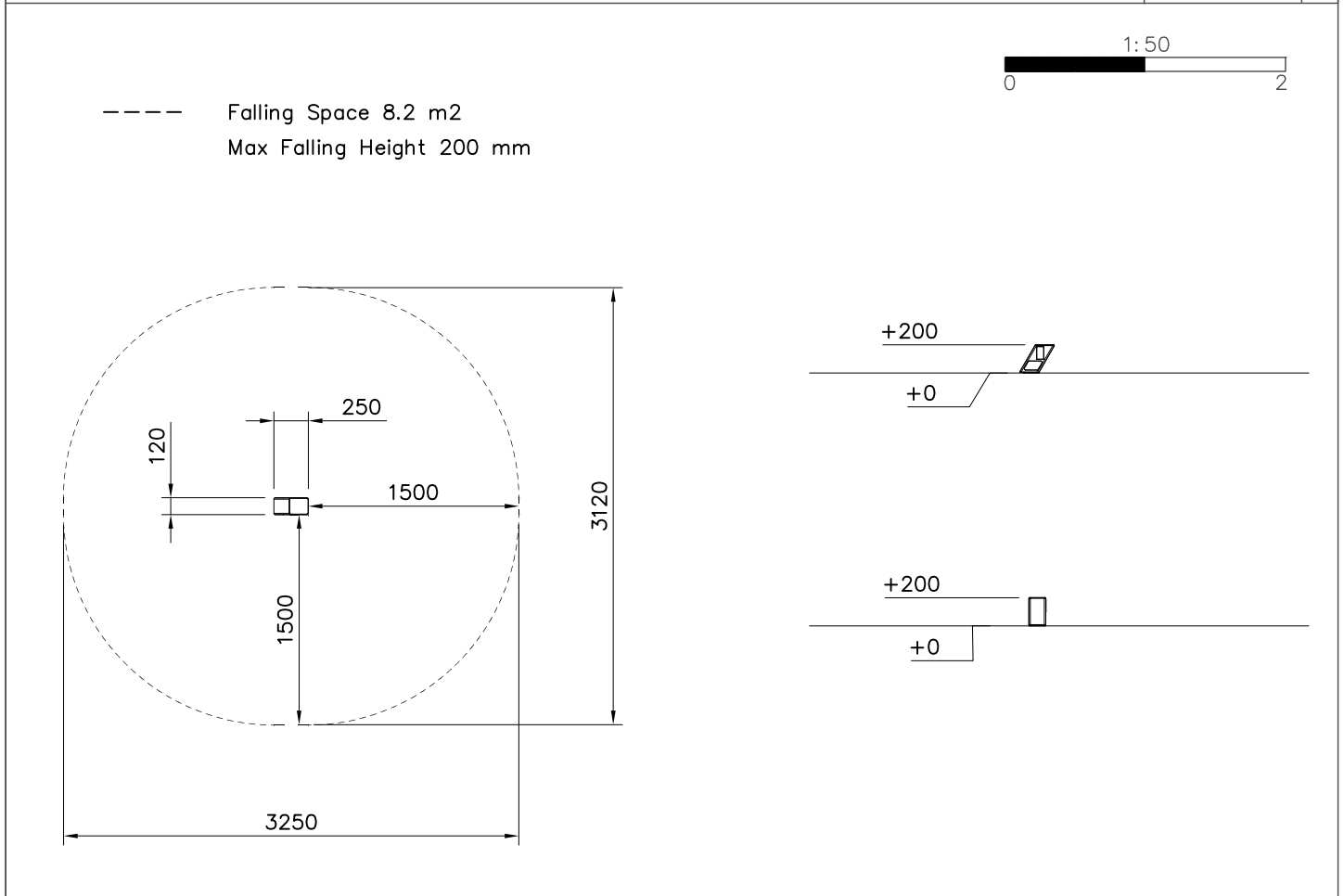
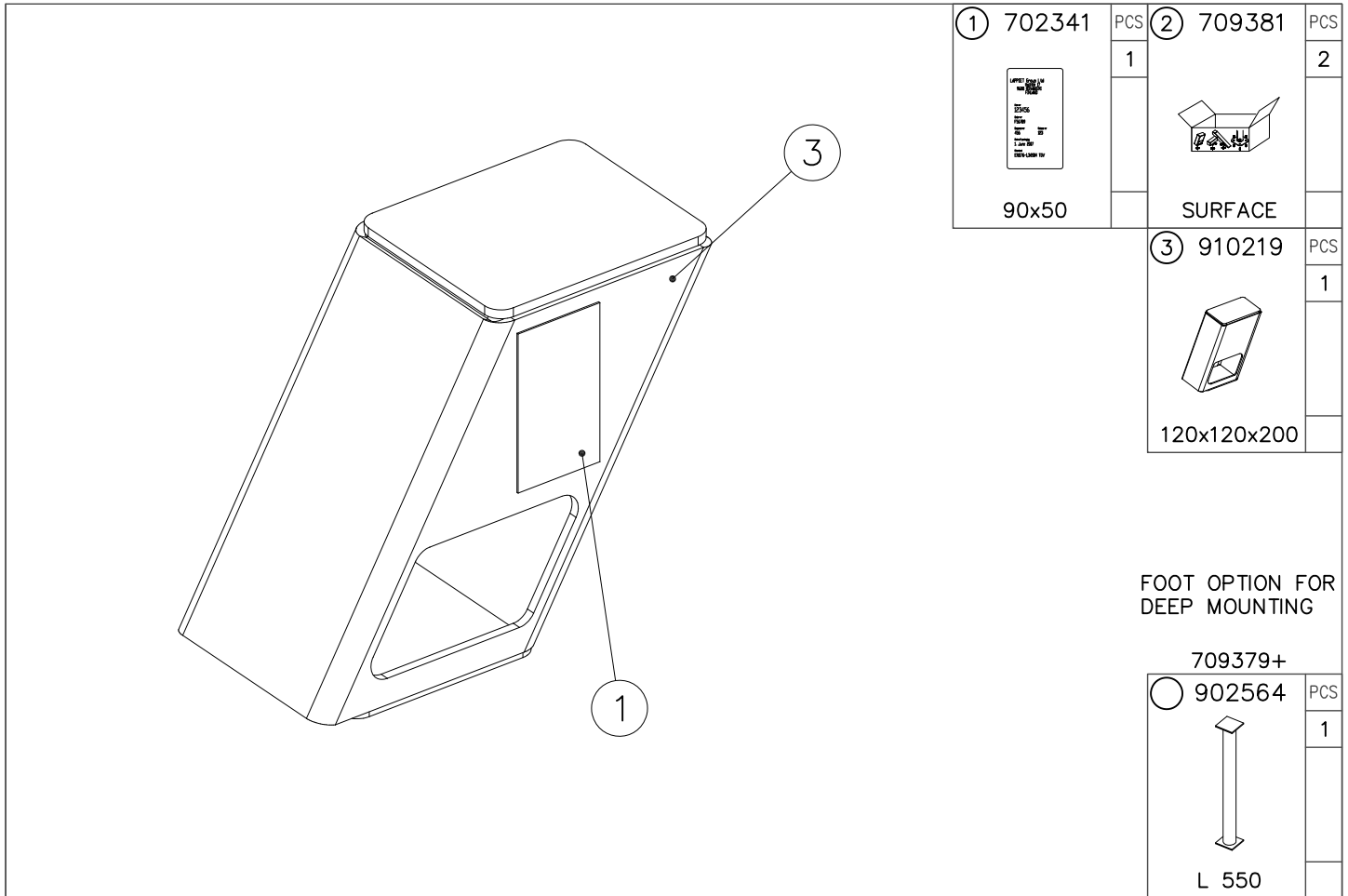
— Falling Space 56.1 m²
 Max Falling Height 650 mm



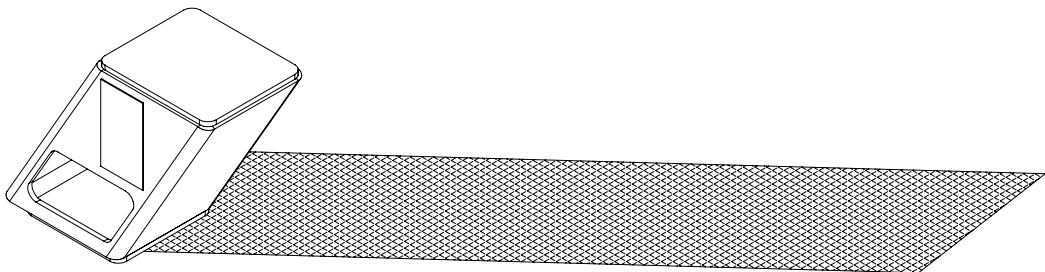
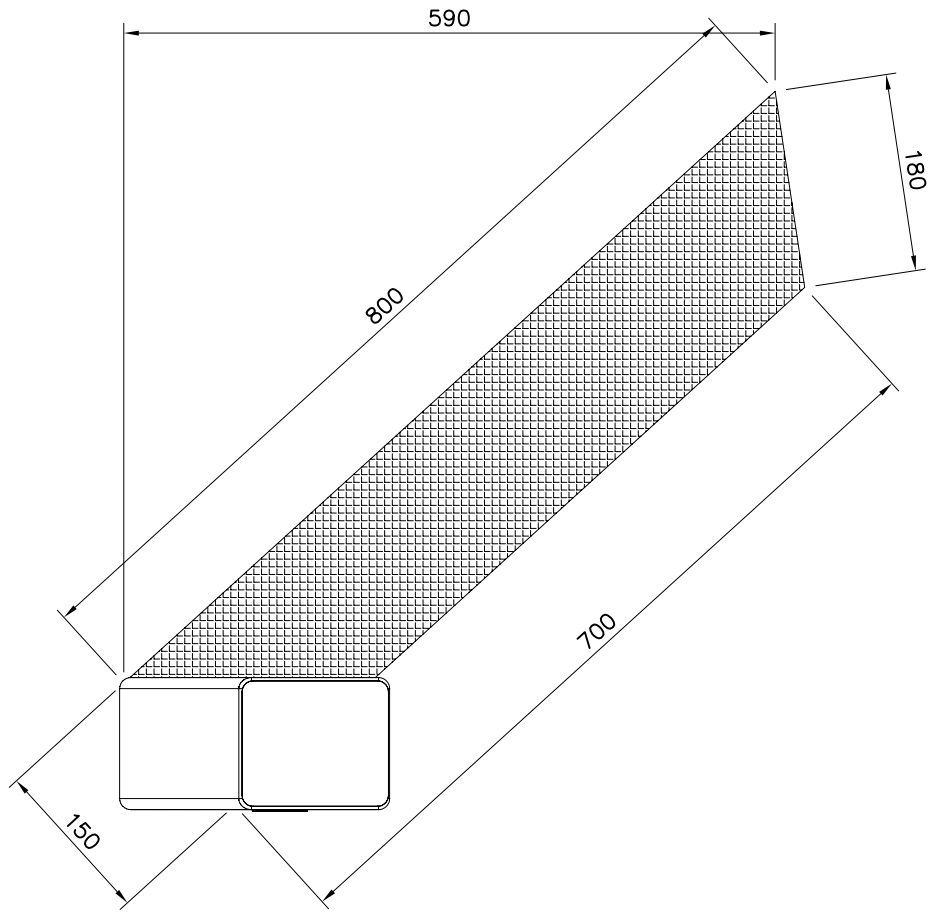


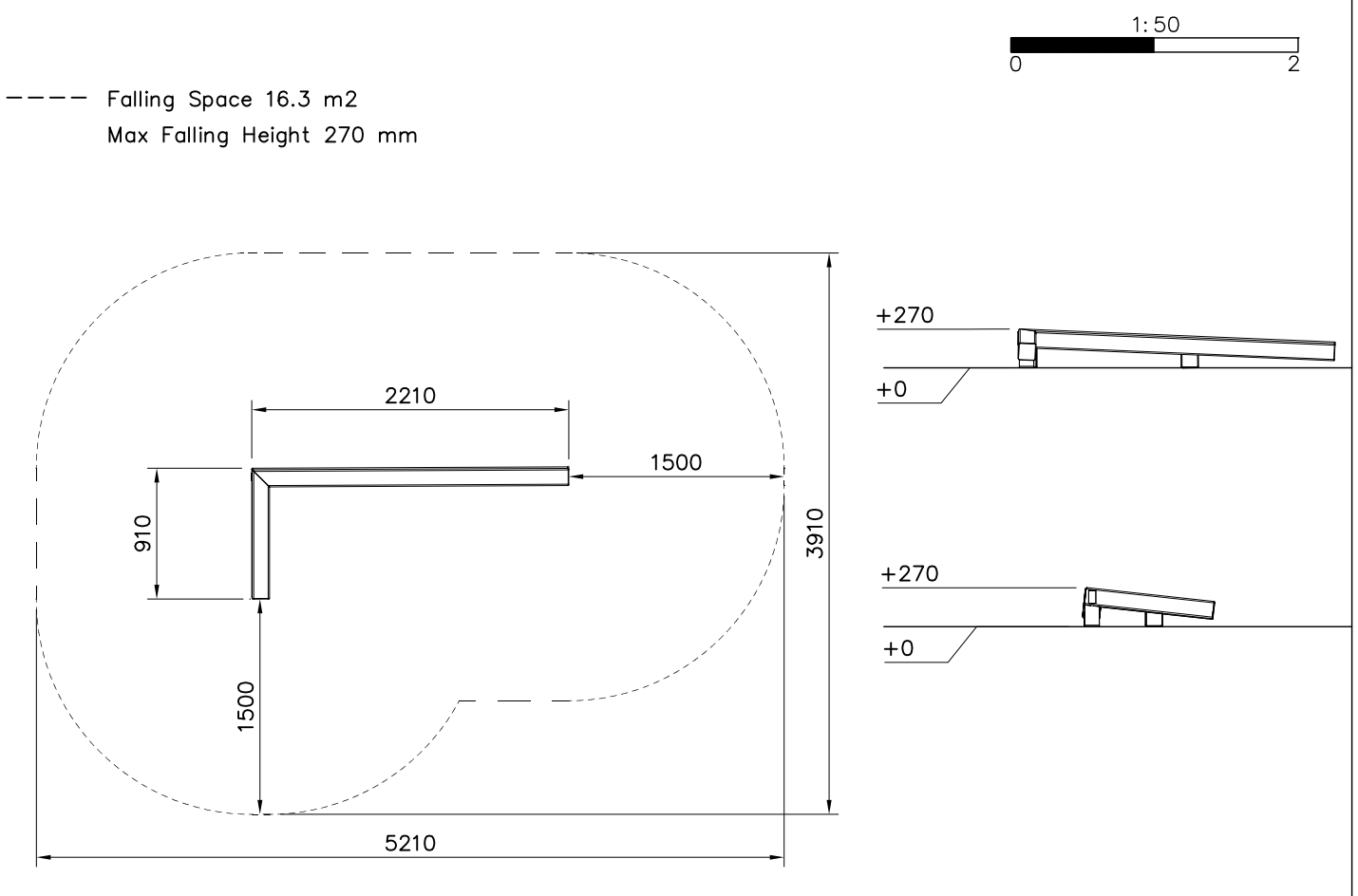
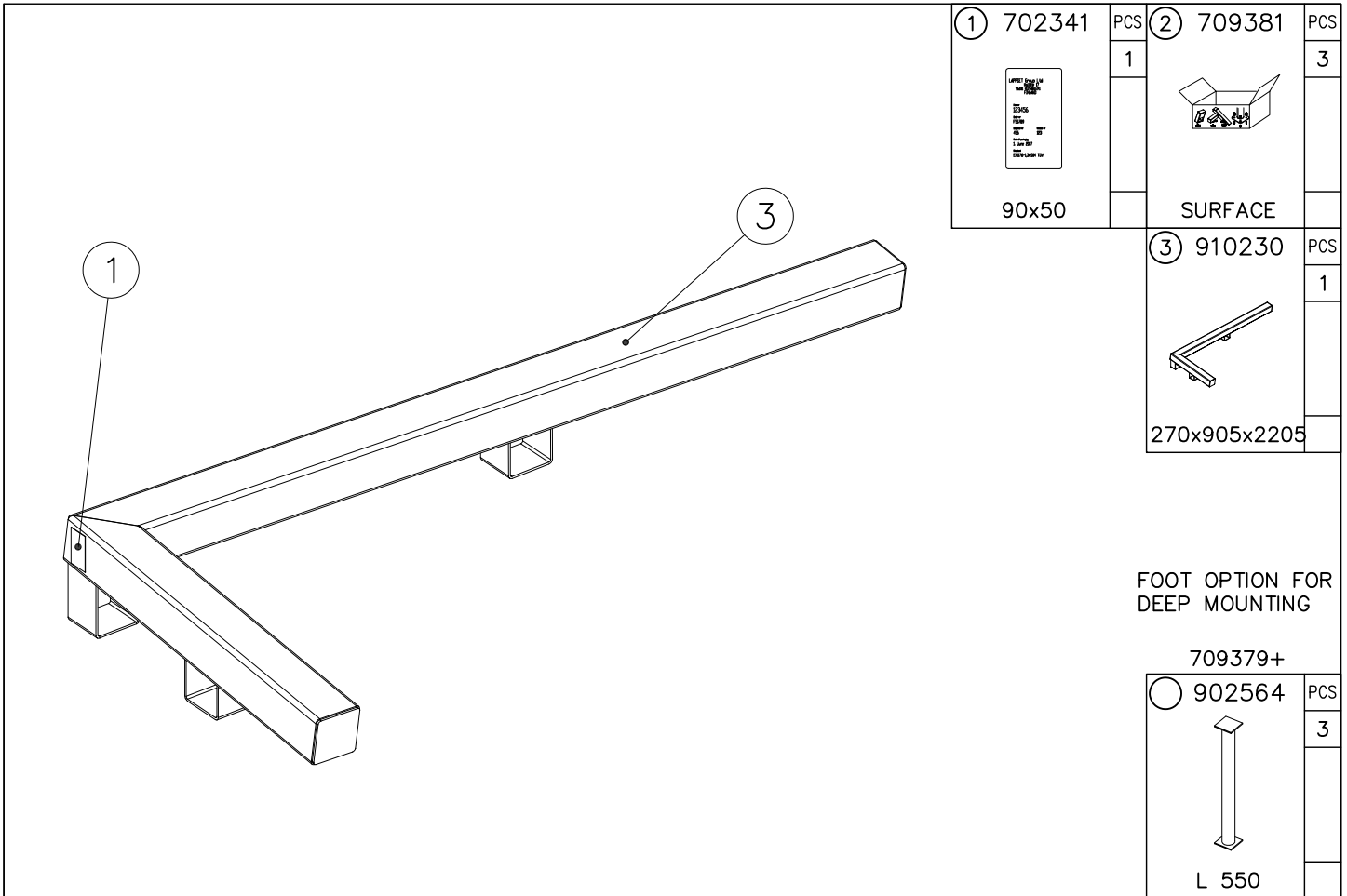


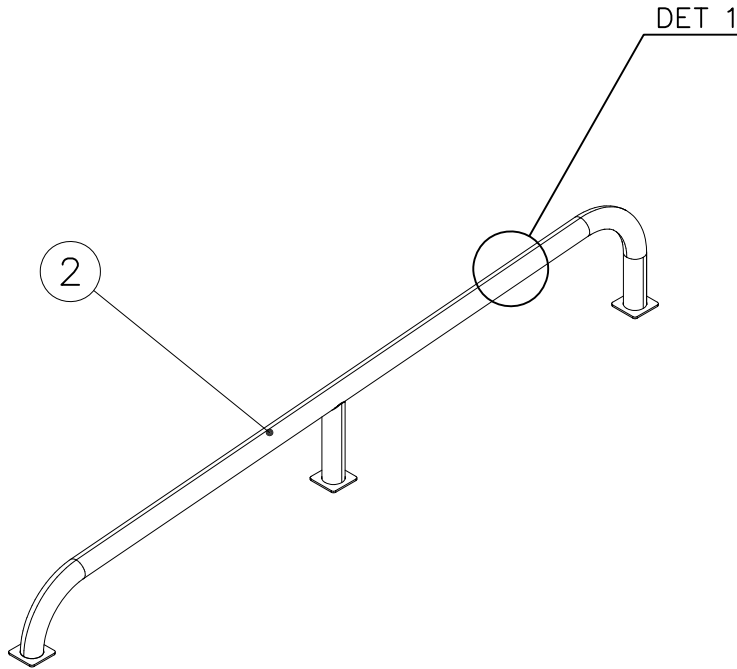



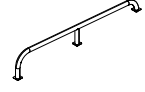
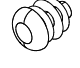


Shadow lines

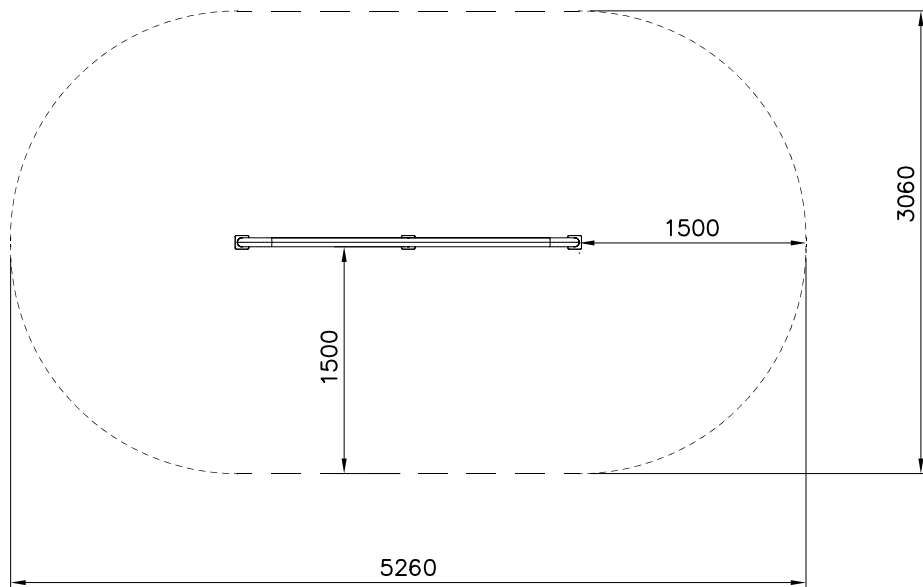
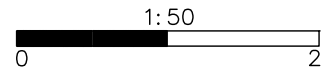


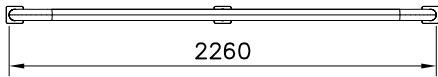
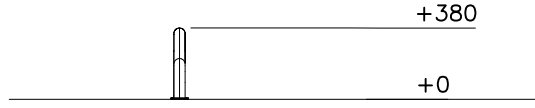
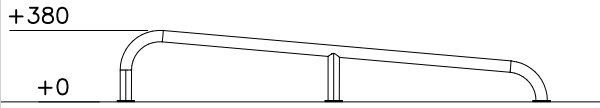




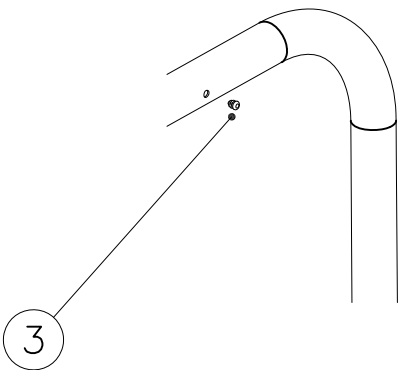
① 702341  90x50	PCS	② 910253  Ø60x376x2290	PCS
	1		1
③ 903533  SRL12	PCS		PCS
	4		

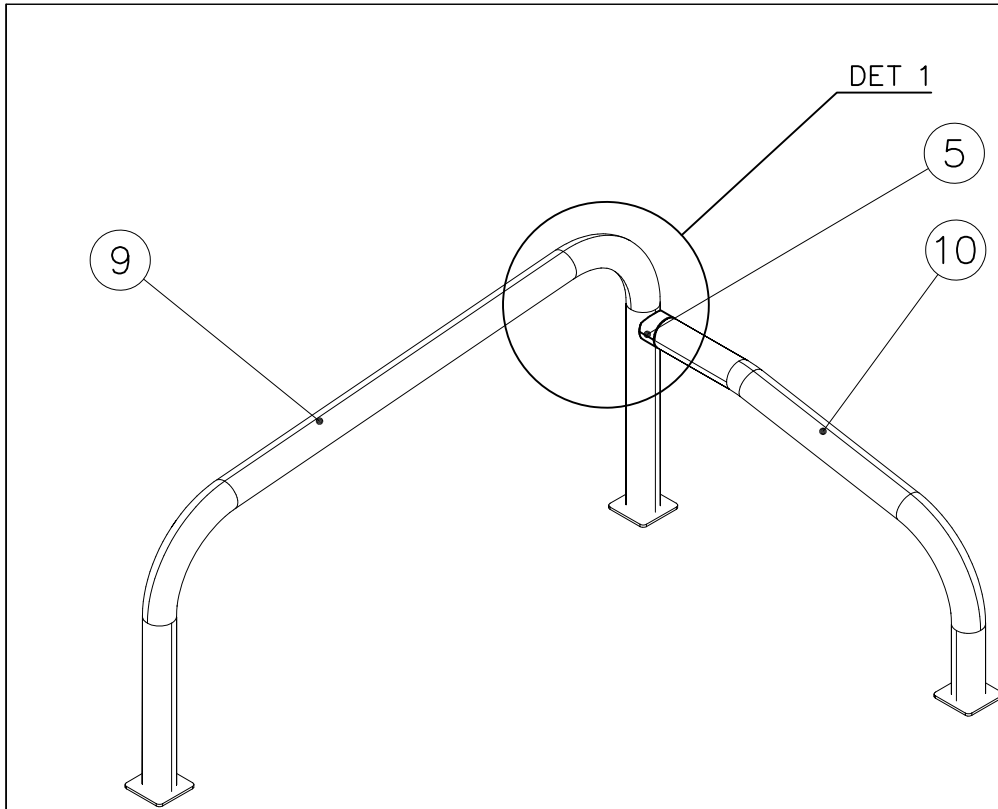
----- Falling Space 14.2 m²
Max Falling Height 380 mm



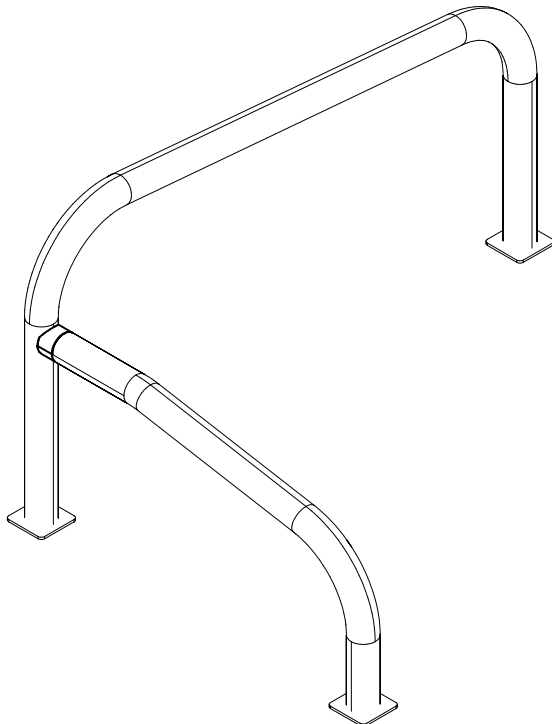


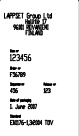


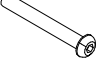
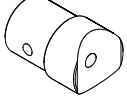
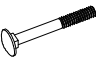



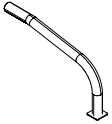

DET 1






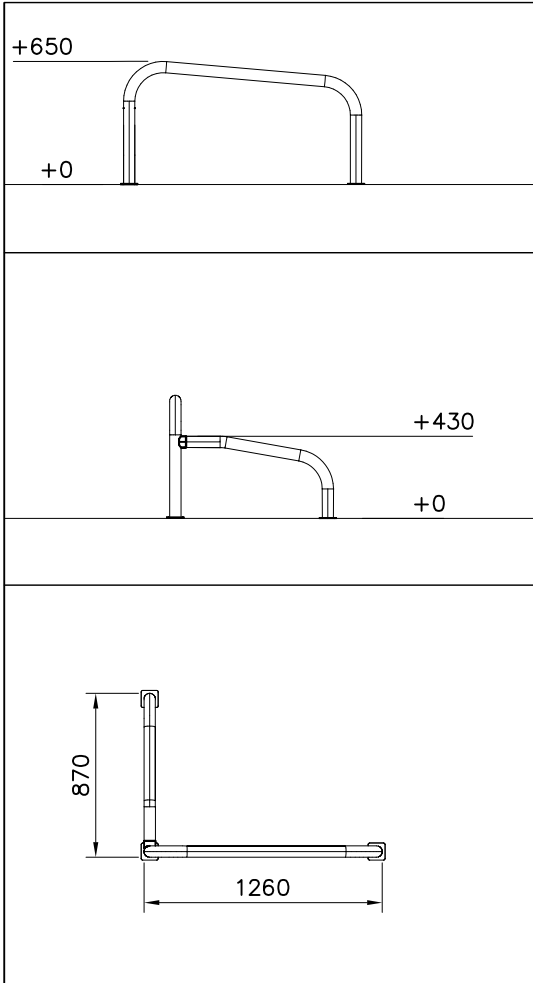
OPTION LEFT-HANDED



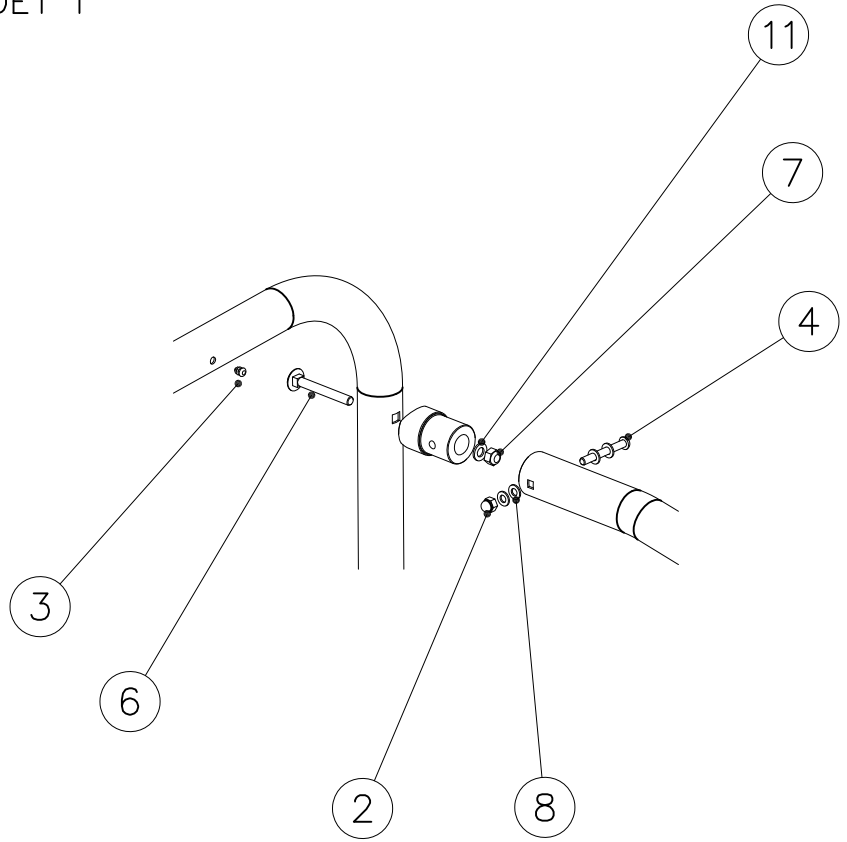
①	702341	PCS	②	900965	PCS
		1			1
	90x50		M10		
③	903533	PCS	④	904133	PCS
		4			1
	SRL12		M10x80		
⑤	908069	PCS	⑥	909111	PCS
		1			1
	Ø60x87.6		M12x100		
⑦	909248	PCS	⑧	909638	PCS
		1			4
	M12		Ø20/10.5		
⑨	910254	PCS	⑩	910262	PCS
		1			1
	Ø60x650x1290		Ø60x435x795		
⑪	980154	PCS			PCS
		1			
	Ø24/13				

FOOT OPTION FOR DEEP MOUNTING

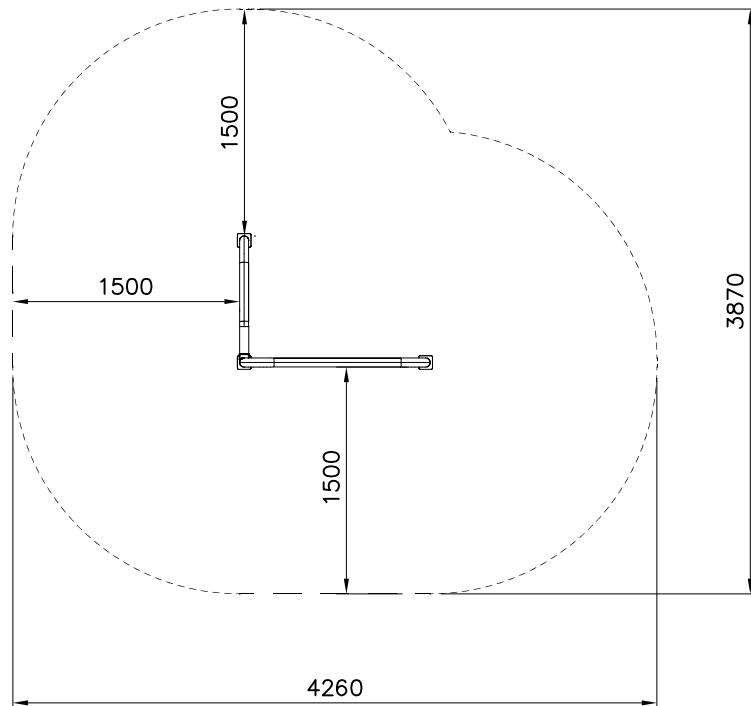
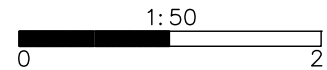
○	709379+	
○	902564	PCS
		3
	L 550	

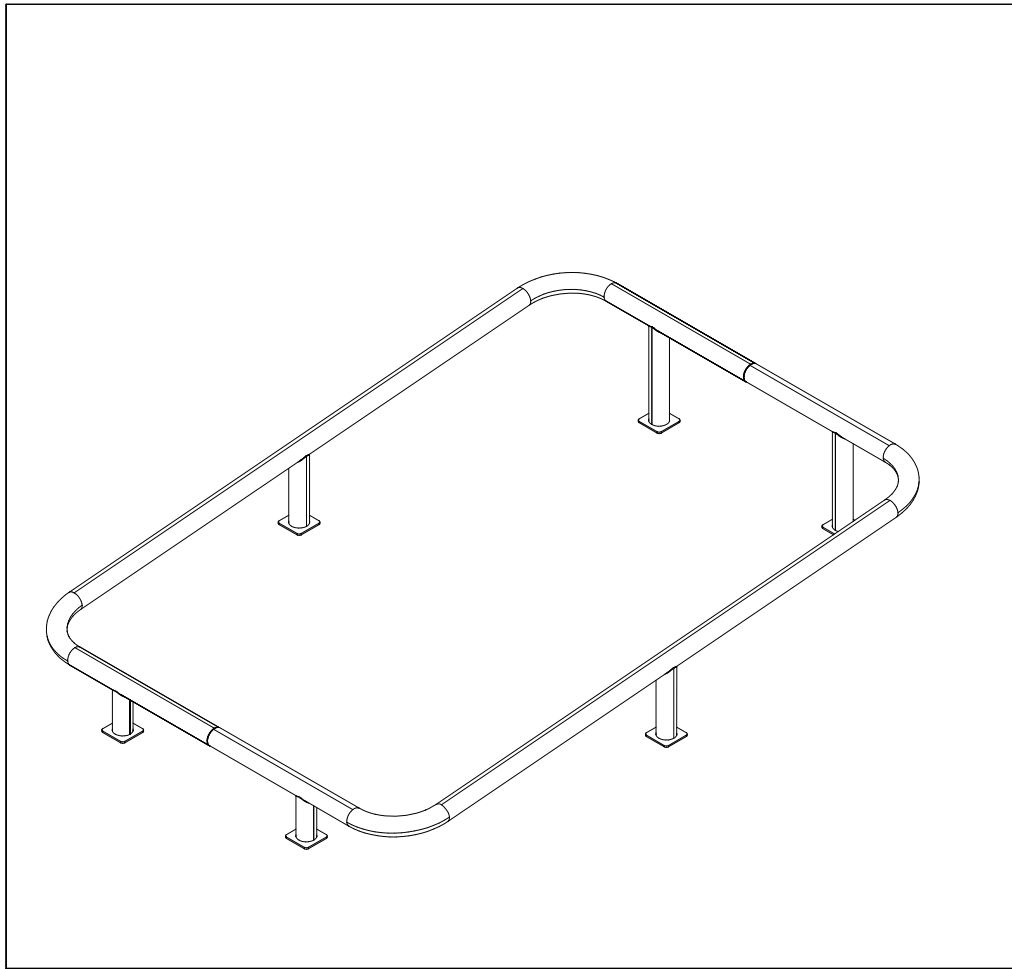


DET 1

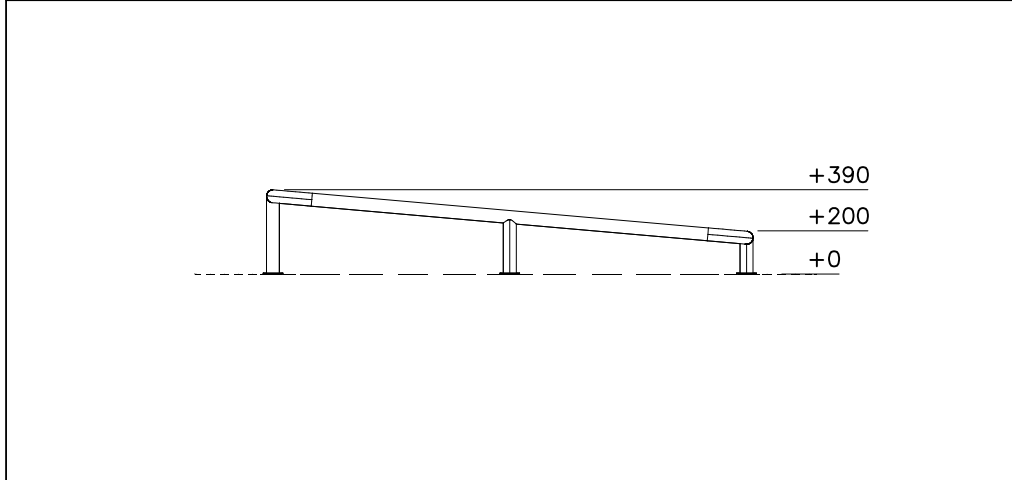


----- Falling Space 13.1 m²
Max Falling Height 650 mm



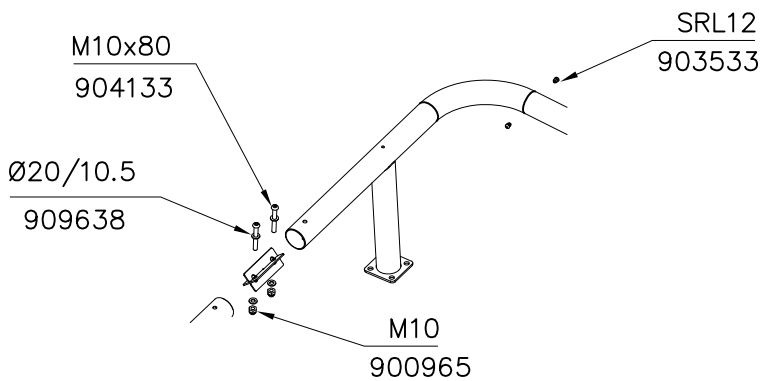


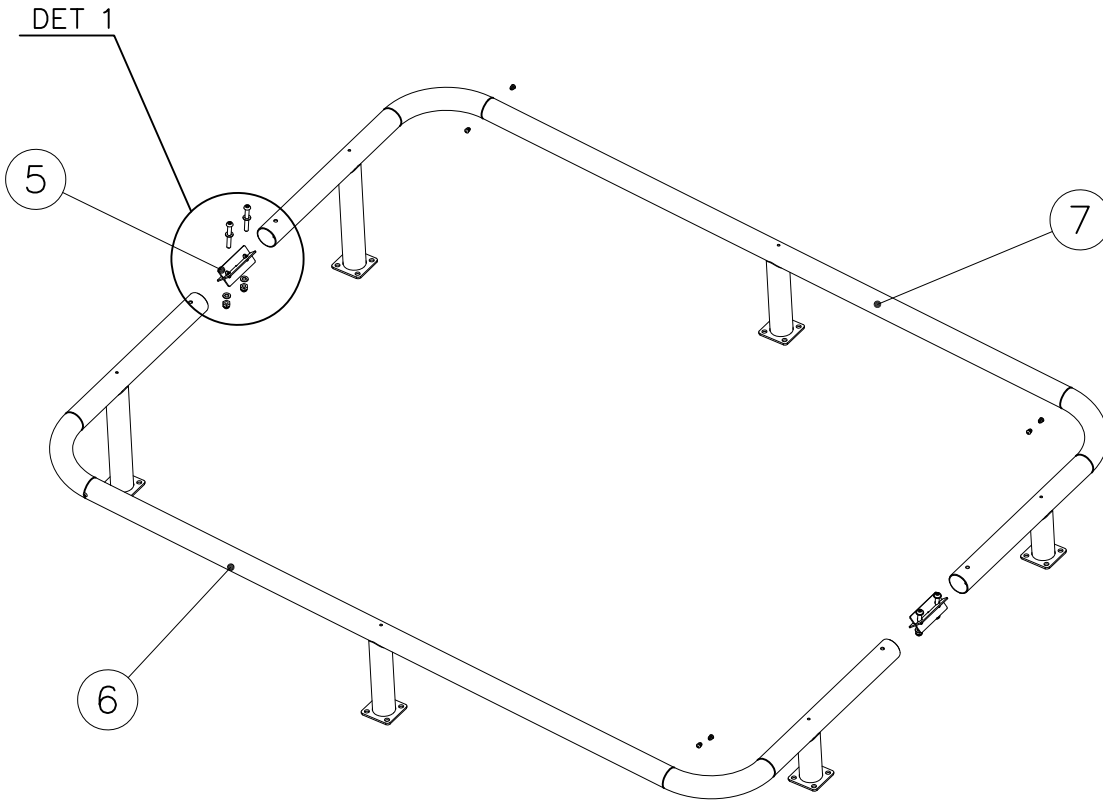
① 900965	PCS	② 903533	PCS
	4		8
M10		SRL12	
③ 904133	PCS	④ 909638	PCS
	4		8
M10x80		Ø20/10.5	
⑤ 910052	PCS	⑥ 910054	PCS
	2		1
53x53x120		390x780x2282	
⑦ 910055	PCS	⑧ 702341	PCS
	1		1
390x780x2282			



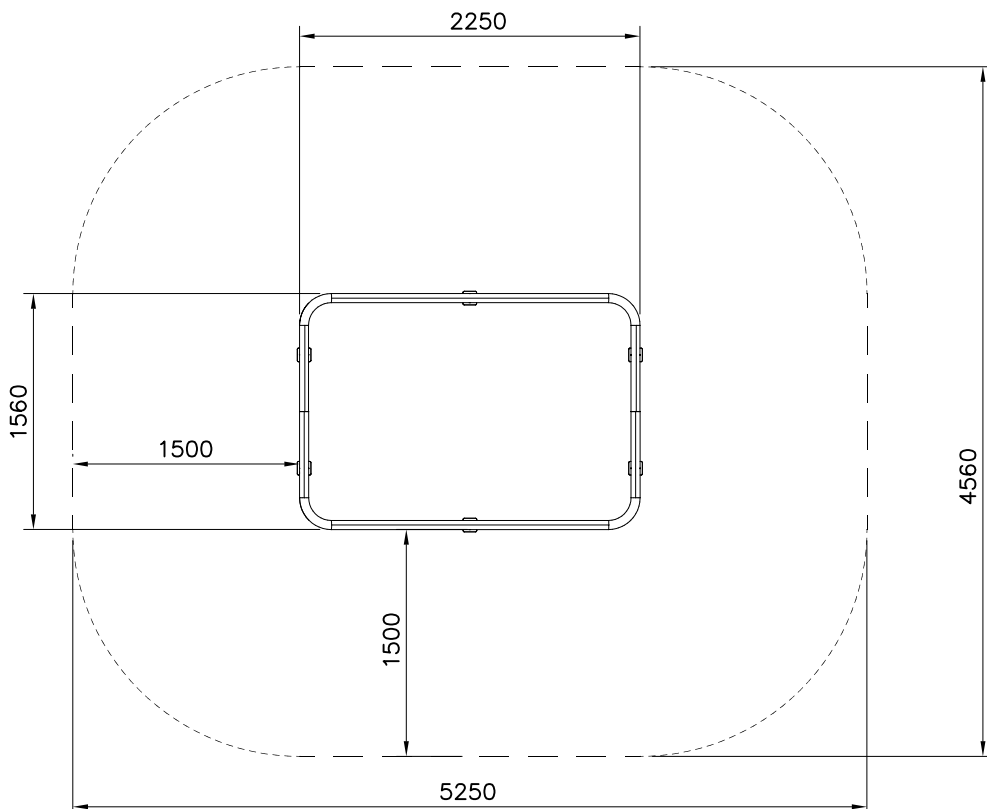
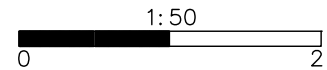
	PCS		PCS
	PCS		PCS

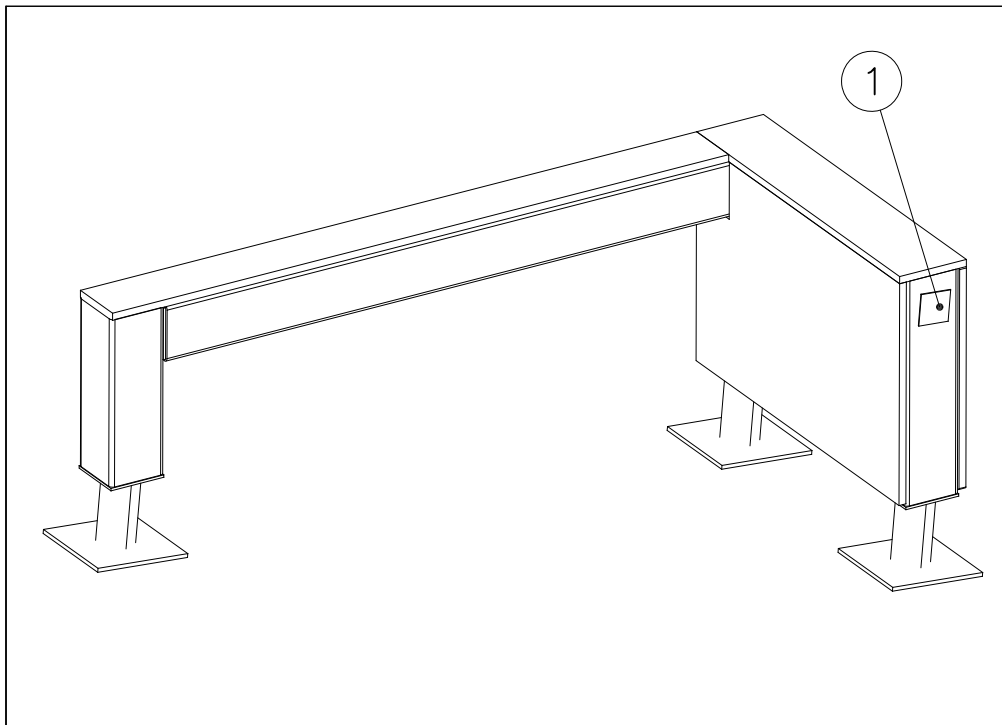
DET 1

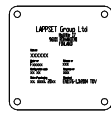
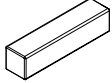



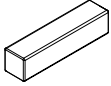


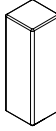
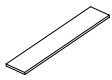
----- Falling Space 22 m2
Max Falling Height 390 mm

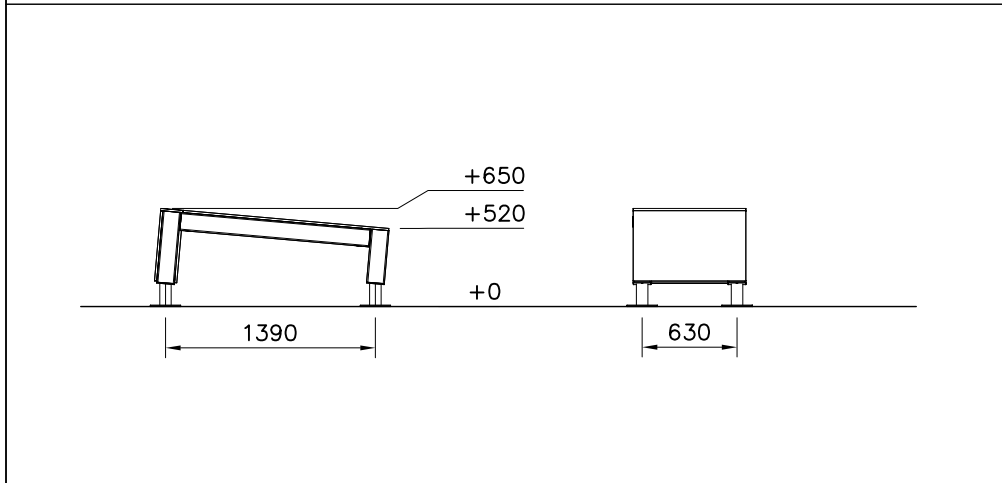



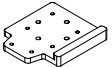


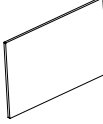

① 702286	PCS	② 707210	PCS
	1		2
65x65		118x118x503	

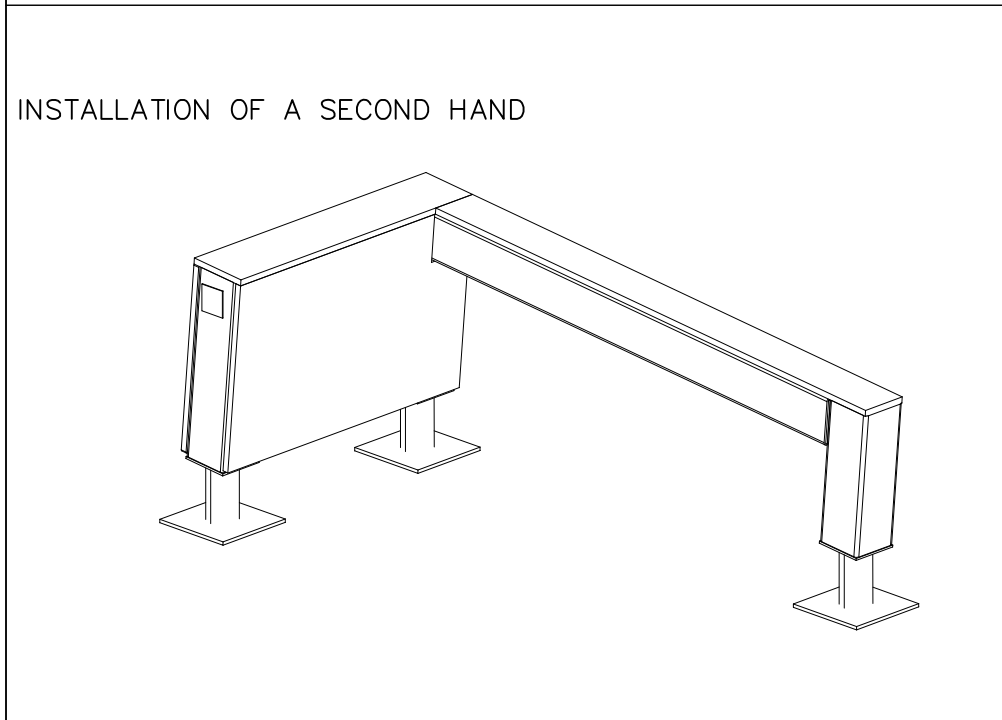
③ 707212	PCS	④ 707889	PCS
	1		2
118x118x1254		118x118x472	



⑤ 708443	PCS	⑥ 708733	PCS
	1		1
118x118x352		15x148x745	


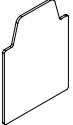


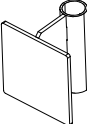
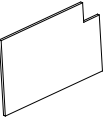
⑦ 708734	PCS	⑧ 708857 JIG	PCS
	1		1
15x118x1365		20x133x149	




⑨ 708731	PCS	⑩ 900240	PCS
	1		16
15x466x745		Ø8x70	



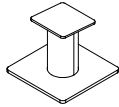
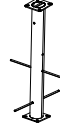
⑪ 903093	PCS	⑫ 905103	PCS
	4		2
Ø8x90		PT-28/32-H	

⑬ 905112	PCS	⑭ 908698	PCS
	4		4
Ø22		3x114x108	

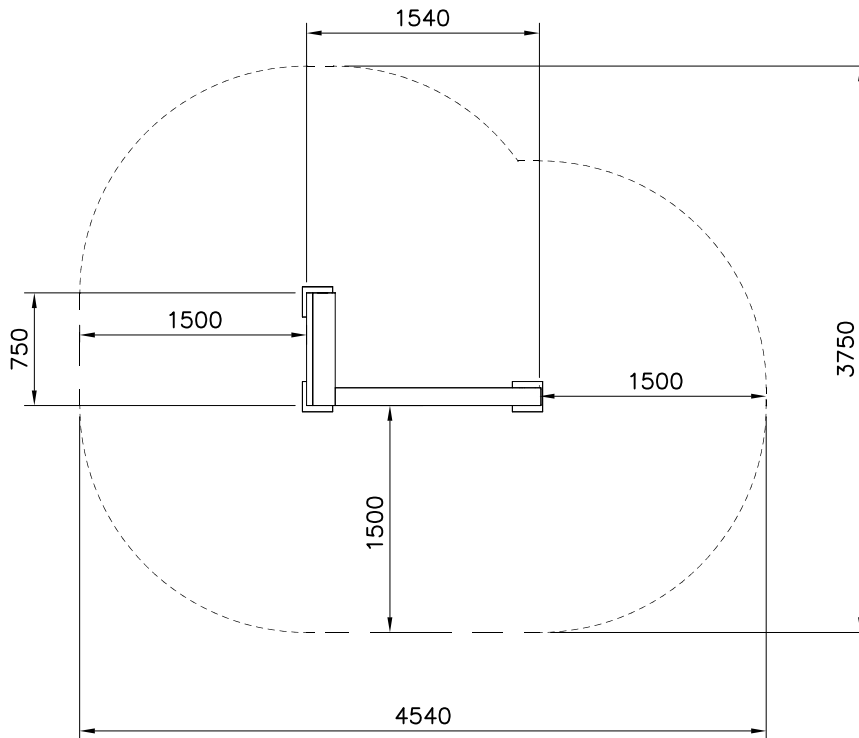
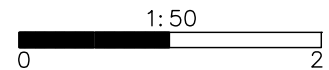
⑮ 910266	PCS	⑯ 708732	PCS
	2		1
90x108x118		15x466x745	

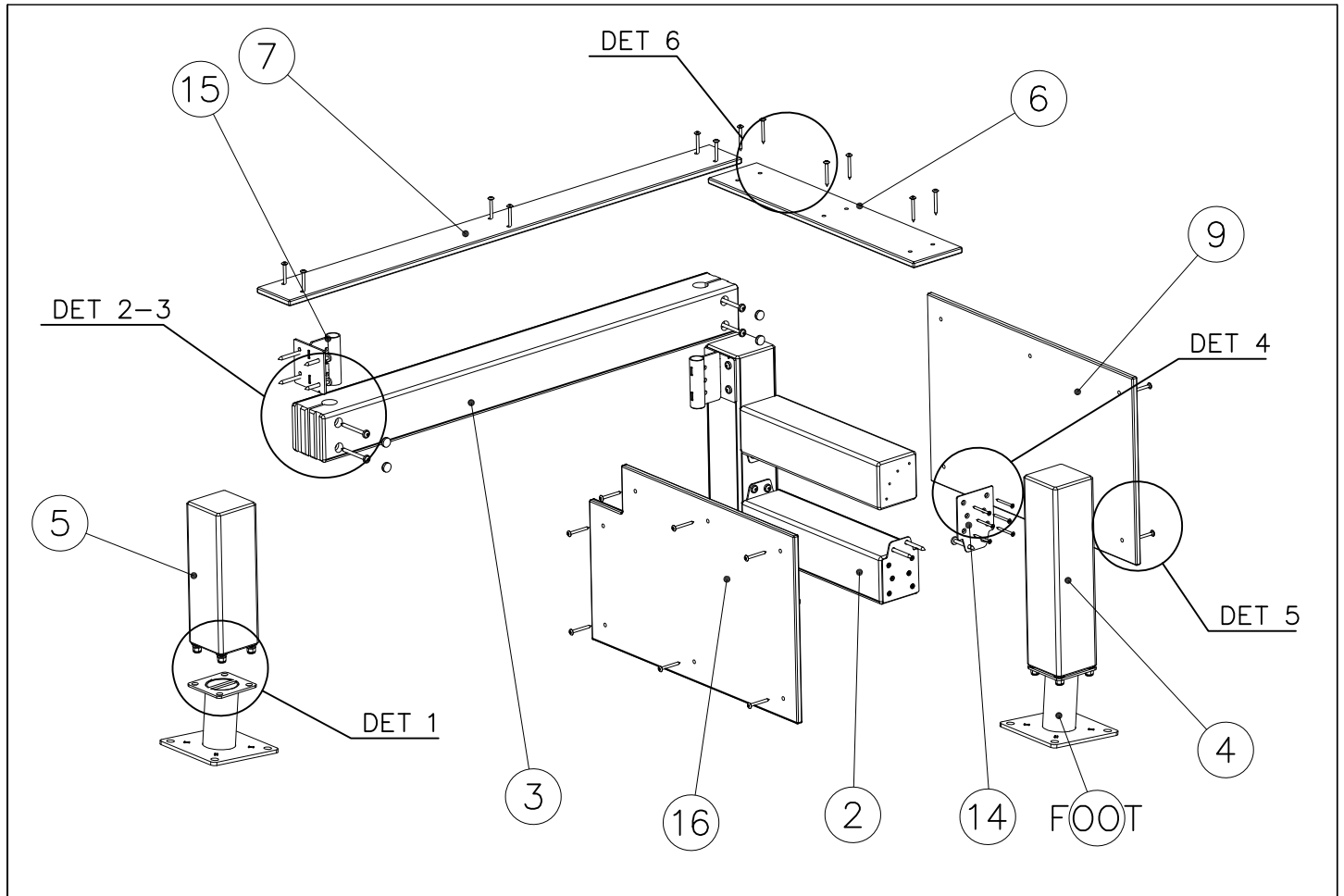
17	980100	PCS	18	980114	PCS	19	980123	PCS
		28			4			25
								
Ø5x60			Ø4x20			Ø7x60		

FOOT OPTIONS

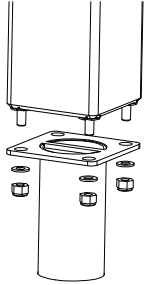
709261+		709262+	
○ 910267	PCS	○ 910567	PCS
SURFACE	3	CONCRETE	3
			
152x200x200		117x117x715	

----- Falling Space 13.8 m²
Max Falling Height 650 mm

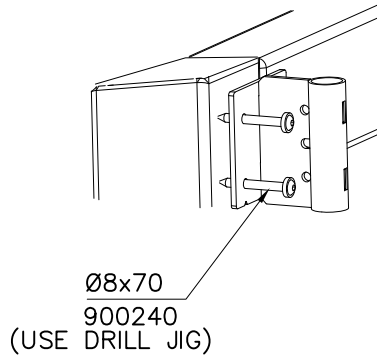




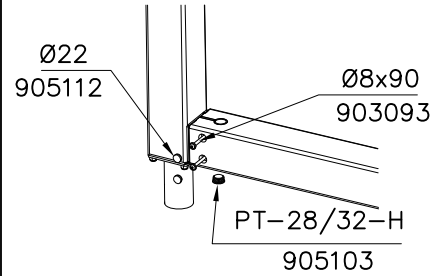
DET 1



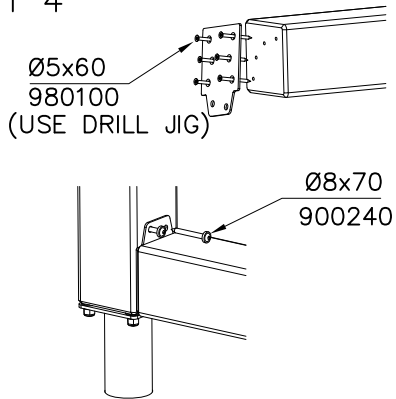
DET 2



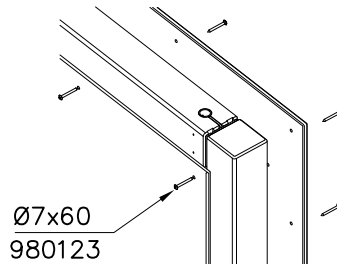
DET 3



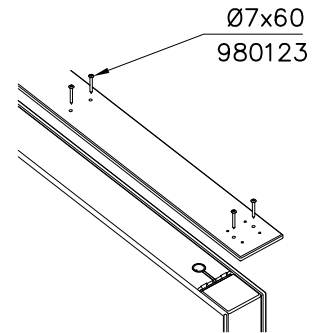
DET 4



DET 5

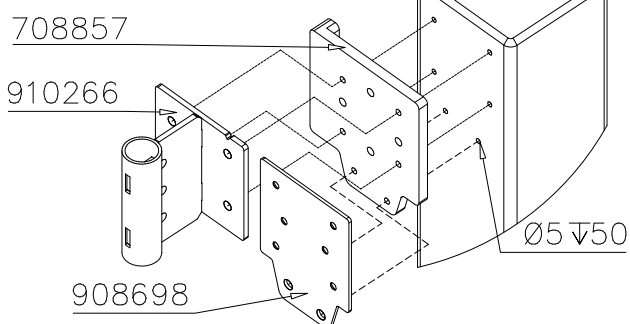


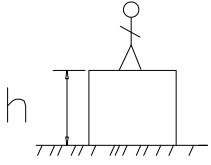
DET 6



JIG DET A (USE DET 2-4)

NOTE:
Use drill jig 708857
to predrill $\text{Ø}5\sqrt{50}$
holes for 910266
and 908698





$h < 1600$

Totally hard surfaces or materials with very limited impact attenuating properties.

Case by case risk assessment is needed including e.g. evaluation whether there is forced movement, what is the intended exercise and where will the product be installed.

Materials with significant impact attenuating properties.

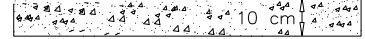
Totally hard surfaces.
E.g. concrete or asphalt



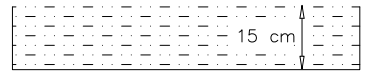
Materials with very limited impact attenuating properties.
E.g. wood



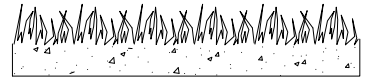
fine gravel 0–8 mm



Unsorted sand/ topsoil



Lawn

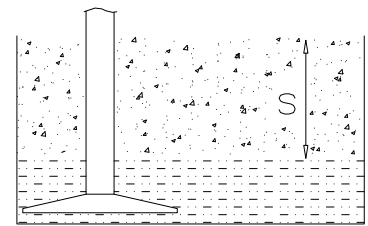


$h = 1600-$

$h < 3000$

Loose fill material

E.g.
sand/gravel 0,25...8 mm $D_{60}/D_{10} < 3,0$
Woodchips 5...30 mm
bark 20...80 mm



$\frac{S}{30 \text{ cm}}$ $\frac{h}{< 3,0 \text{ m}}$

Synthetic granulates

$\frac{S}{\text{mm}}$	$\frac{h}{\text{m}}$
40 mm	$\sim > 1,6... \sim < 1,8$ m
50 mm	$\sim > 1,8... \sim < 2,25$ m
55 mm	$\sim > 2,25... \sim < 2,4$ m
60 mm	$\sim > 2,4... \sim < 2,55$ m
70 mm	$\sim > 2,55... \sim < 3,0$ m

Note. For accurate values, see manufacturer's instructions.

