

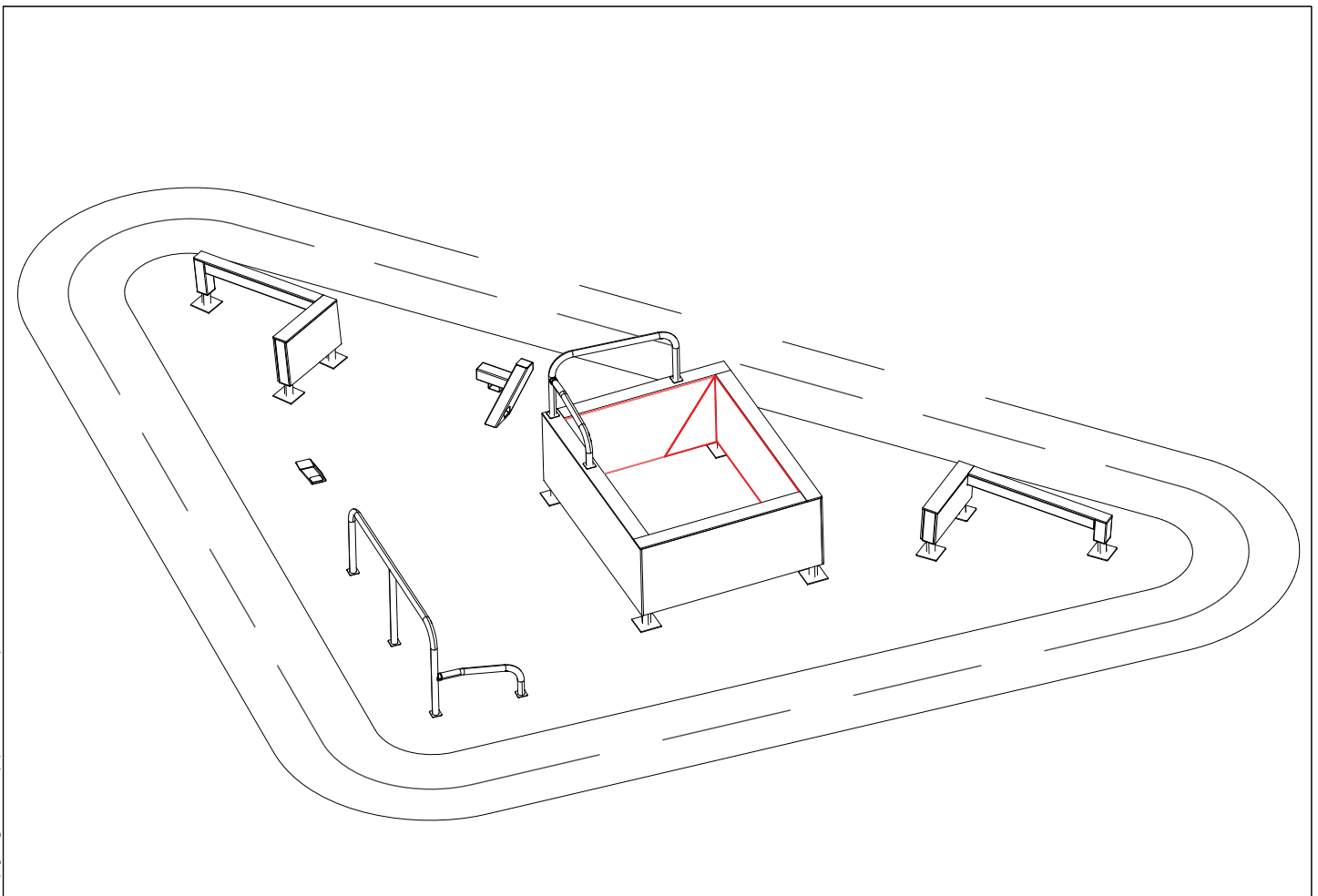
LAPPSET®

DASH PARKOUR

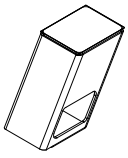
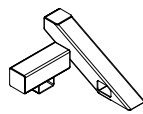
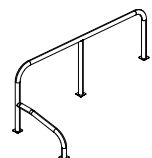
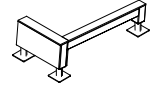
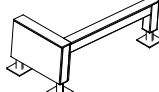



ASENNUSOHJE
MONTERINGSANSVISNING
INSTALLATION INSTRUCTION
AUFBAUANLEITUNG
NOTICE D'INSTALLATION

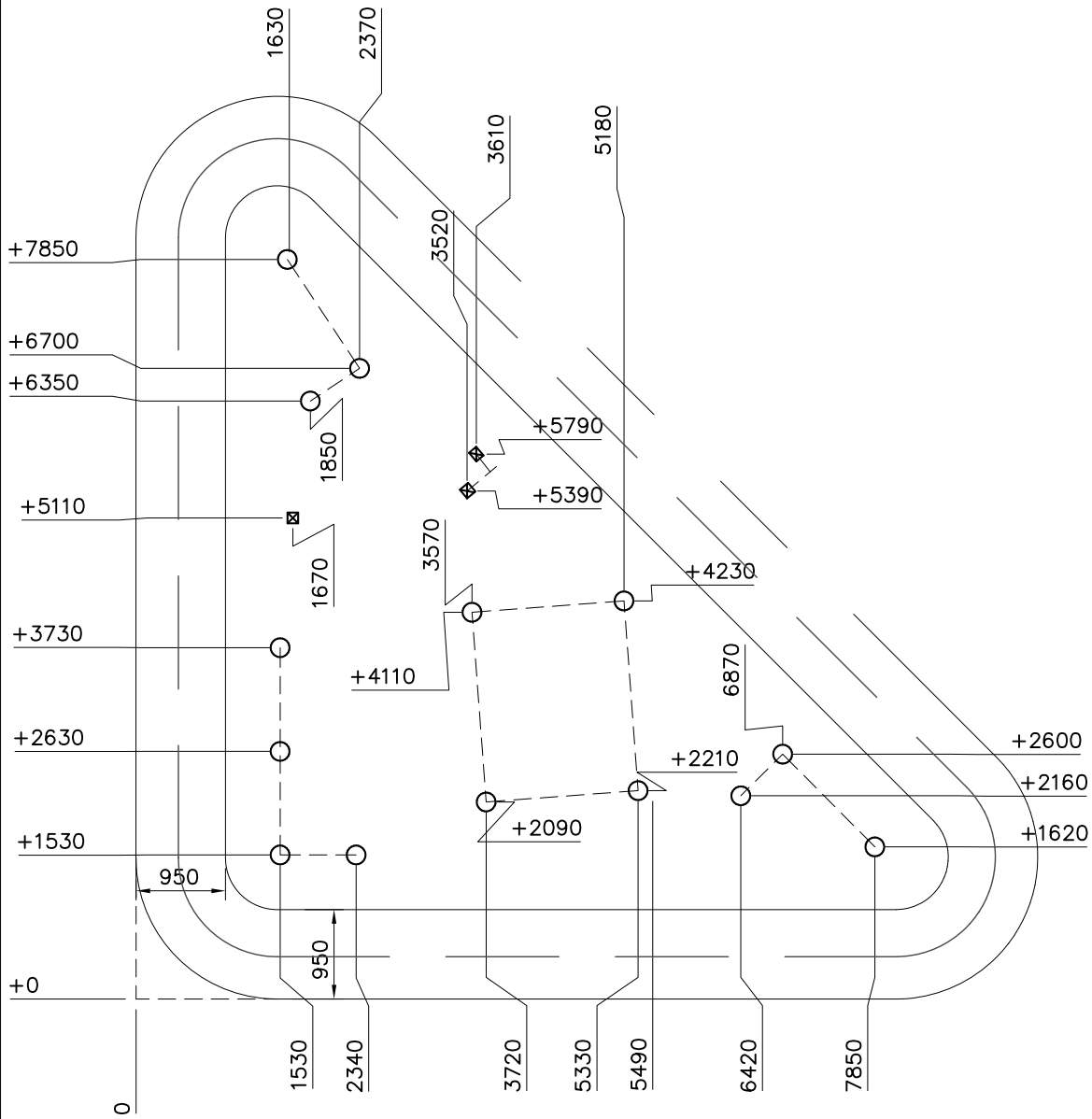
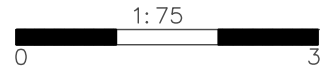
DATE: 17.2.2020

081760M

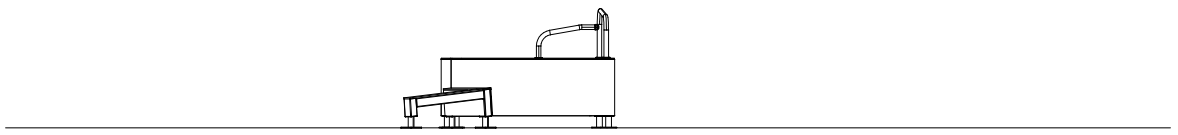
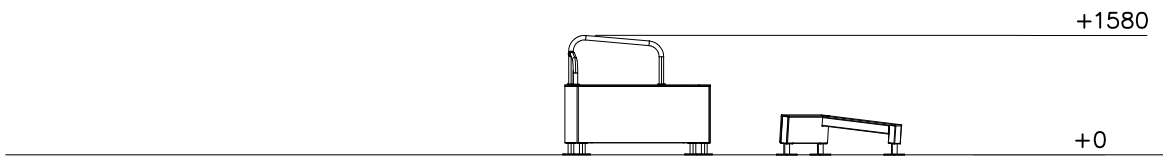
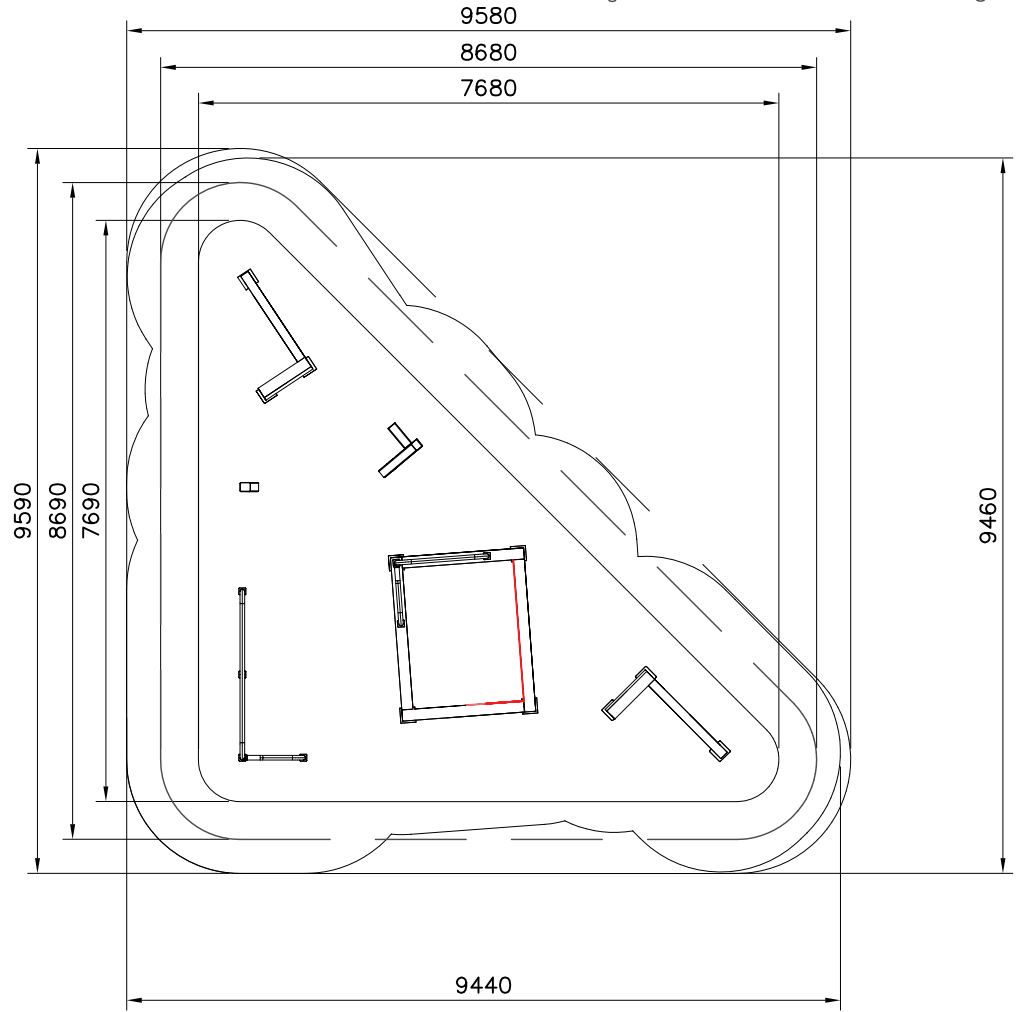
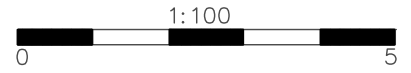


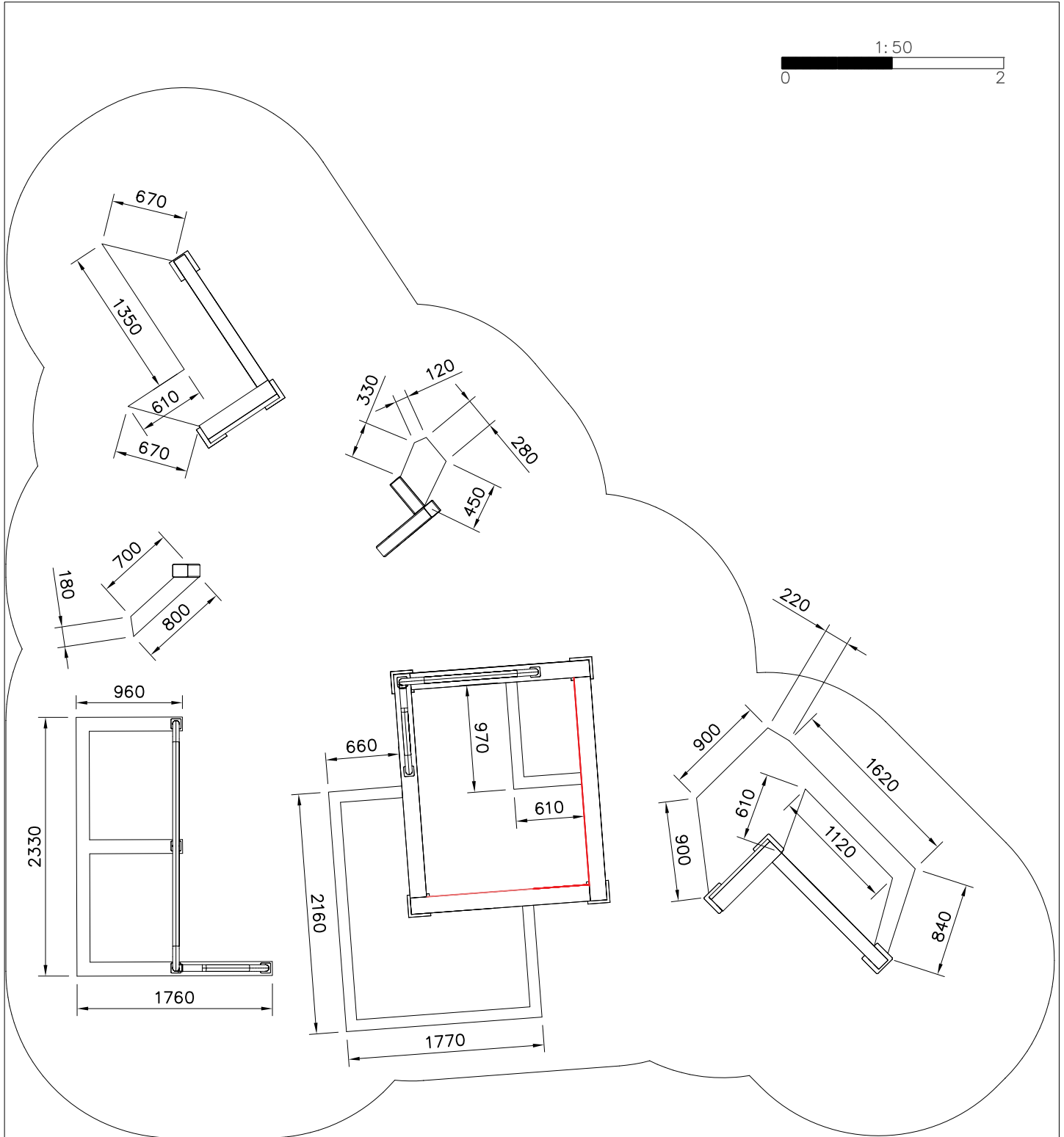
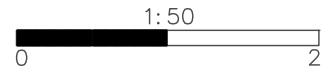
DATE: 17.2.2020

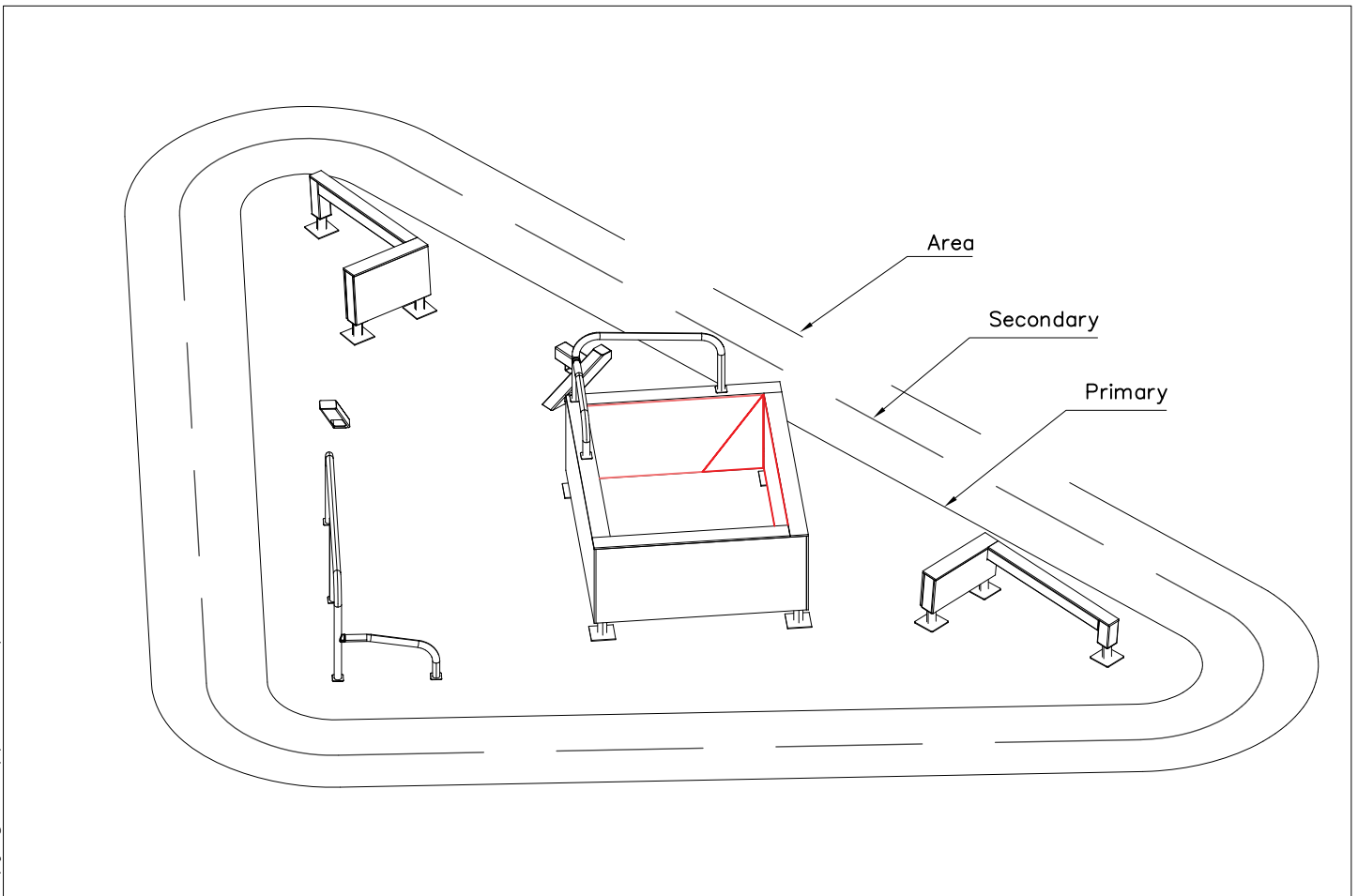
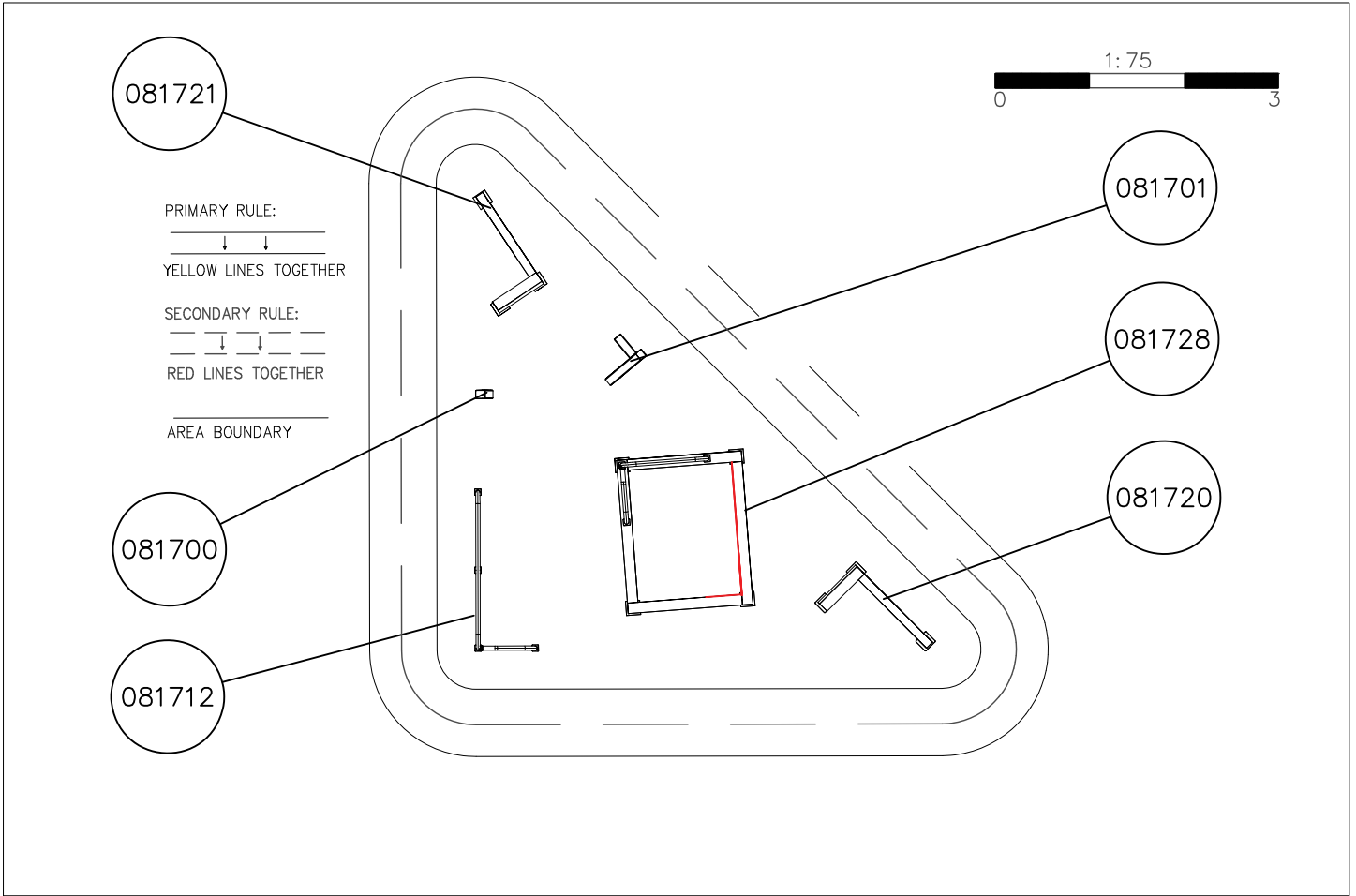
081700M	PCS	081701M	PCS	081712M	PCS	081720M	PCS	081721M	PCS	081728M	PCS
	1		1		1		1		1		1
											
	PCS		PCS		PCS		PCS		PCS		PCS
	PCS		PCS		PCS		PCS		PCS		PCS
	PCS		PCS		PCS		PCS		PCS		PCS
	PCS		PCS		PCS		PCS		PCS		PCS
	PCS		PCS		PCS		PCS		PCS		PCS

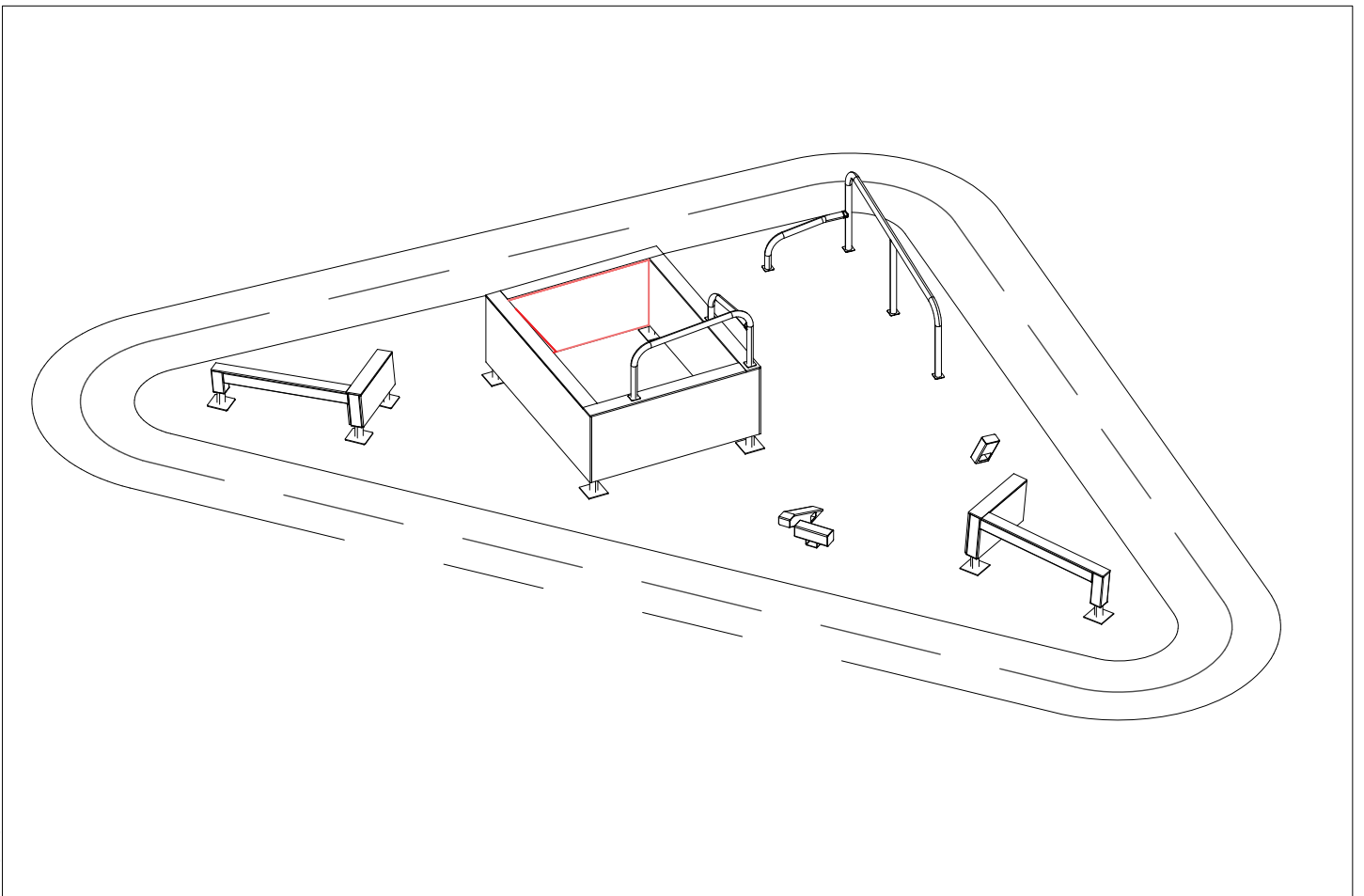
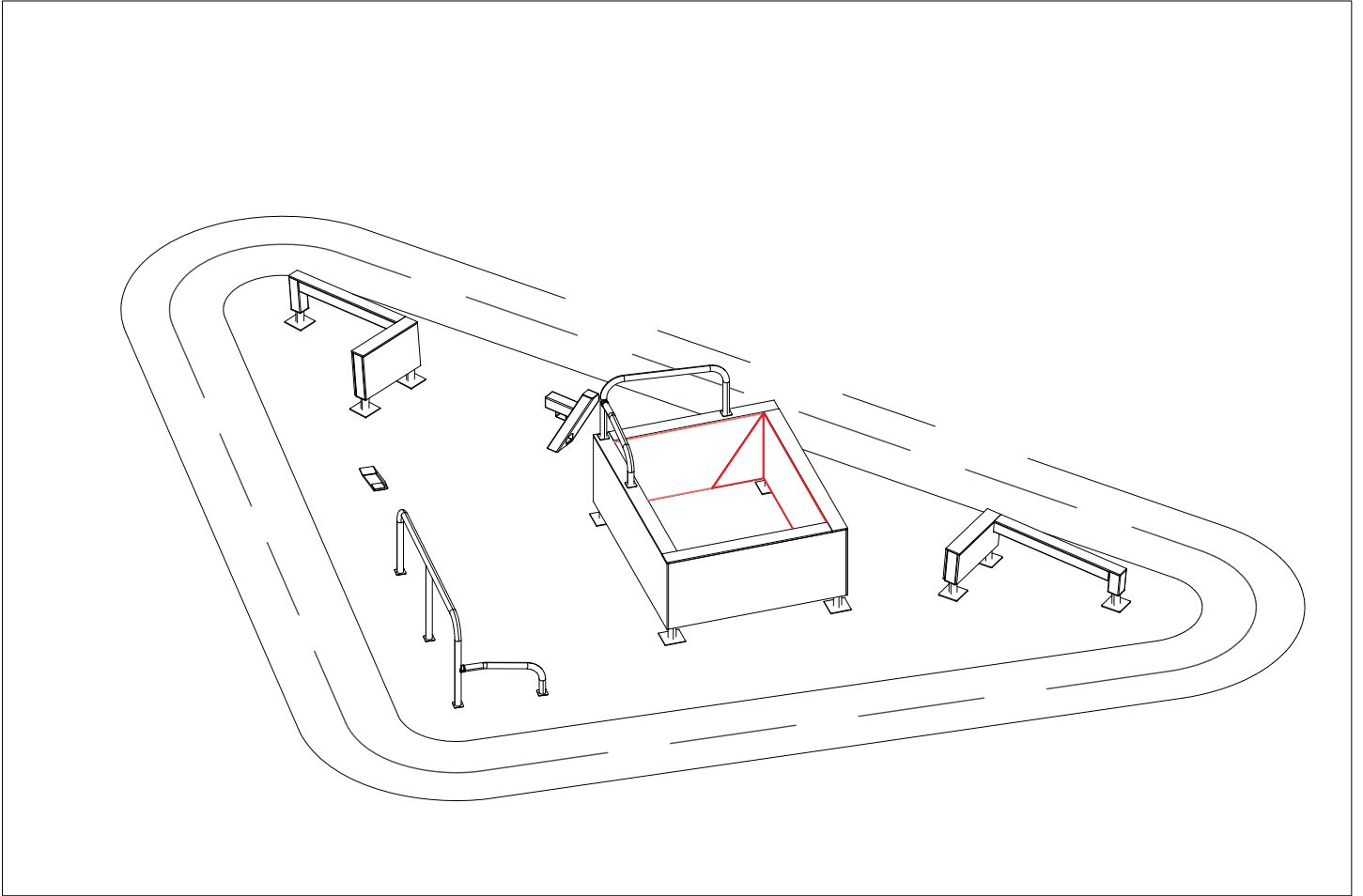


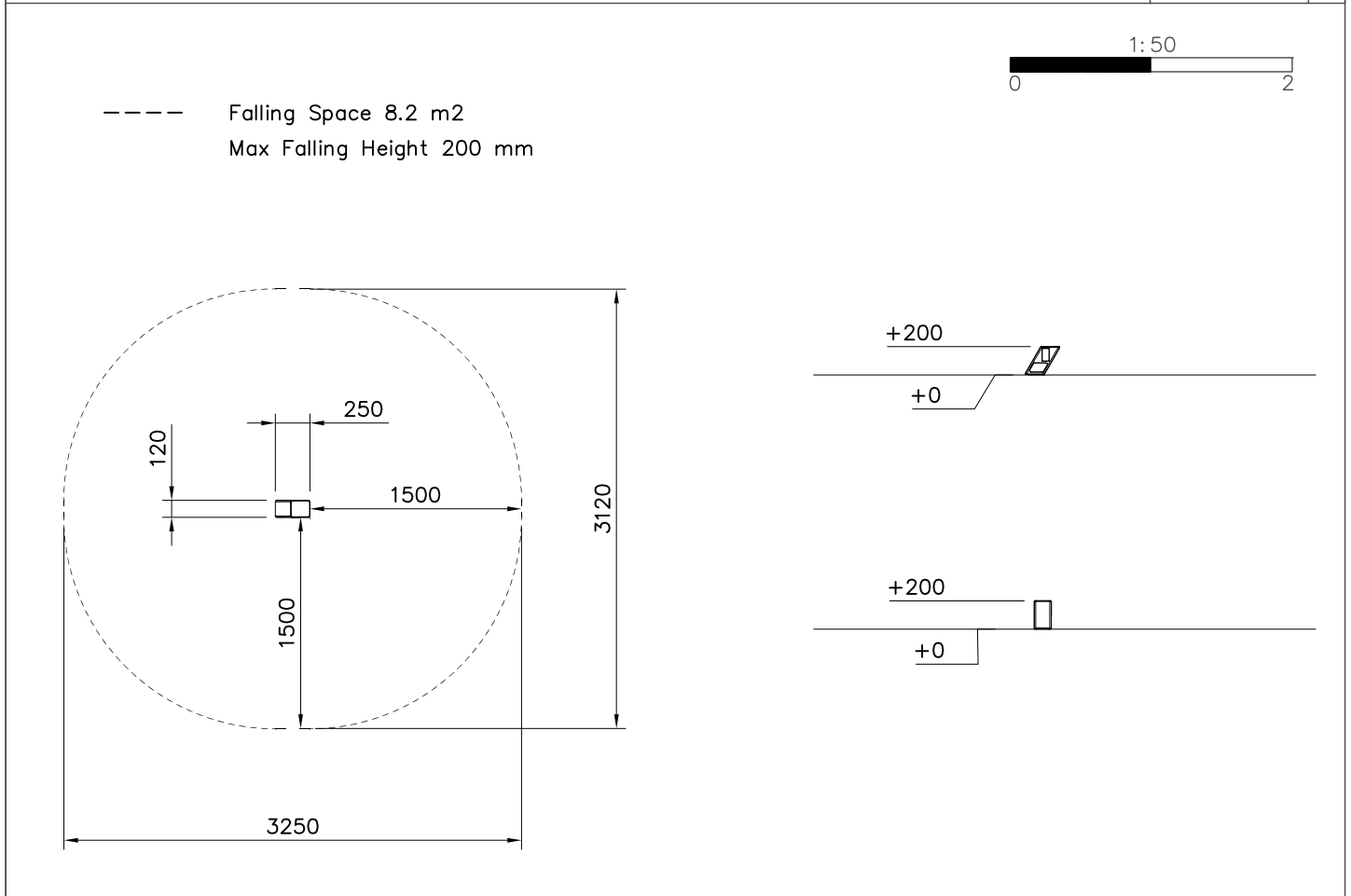
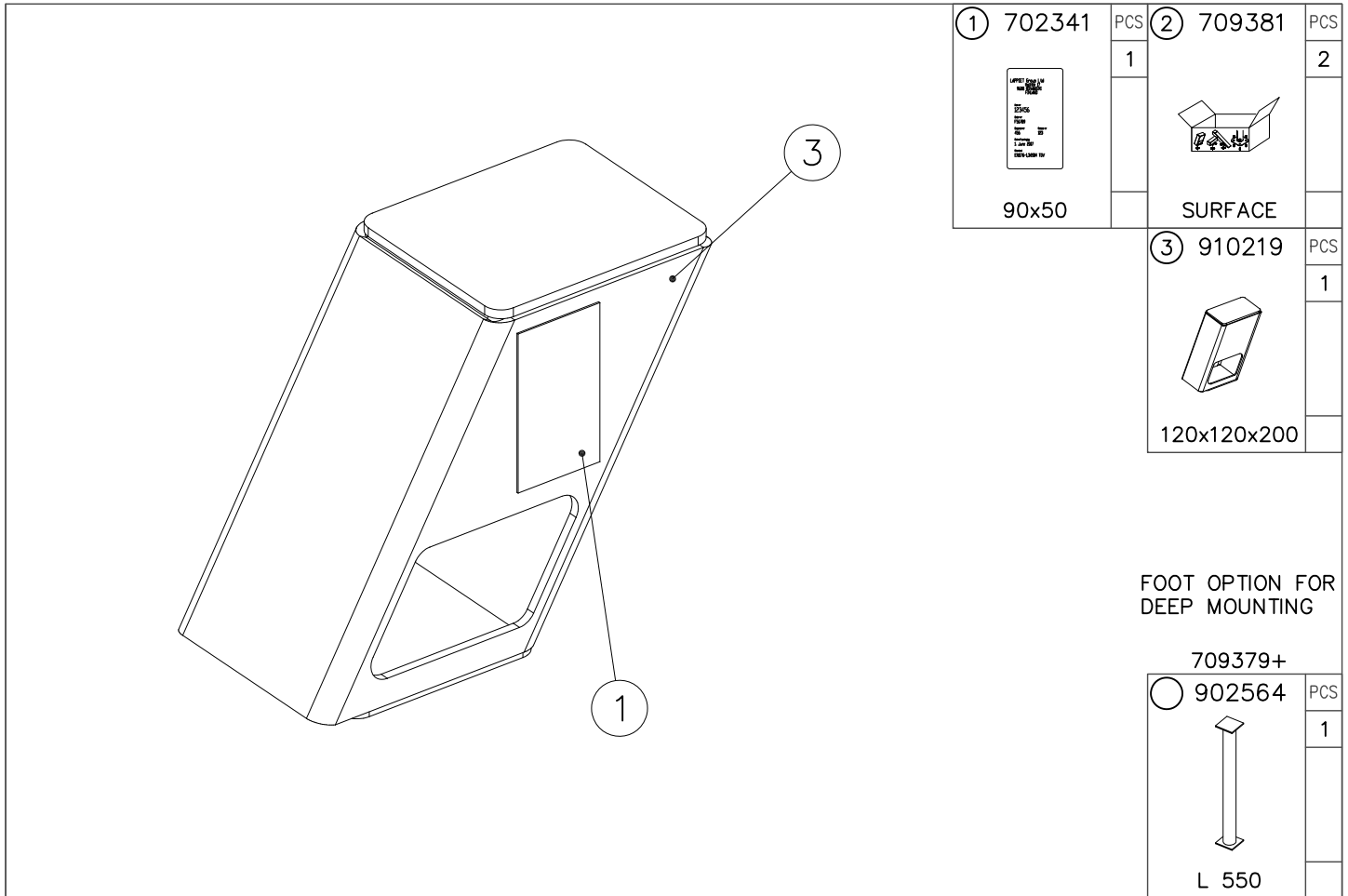
— Falling Space 57.9 m²
Max Falling Height 1580 mm



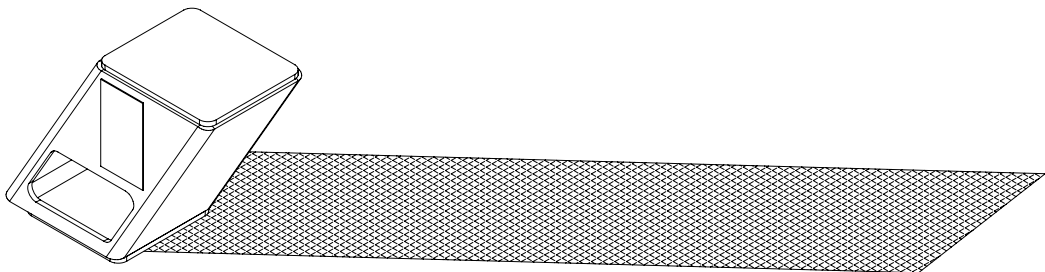
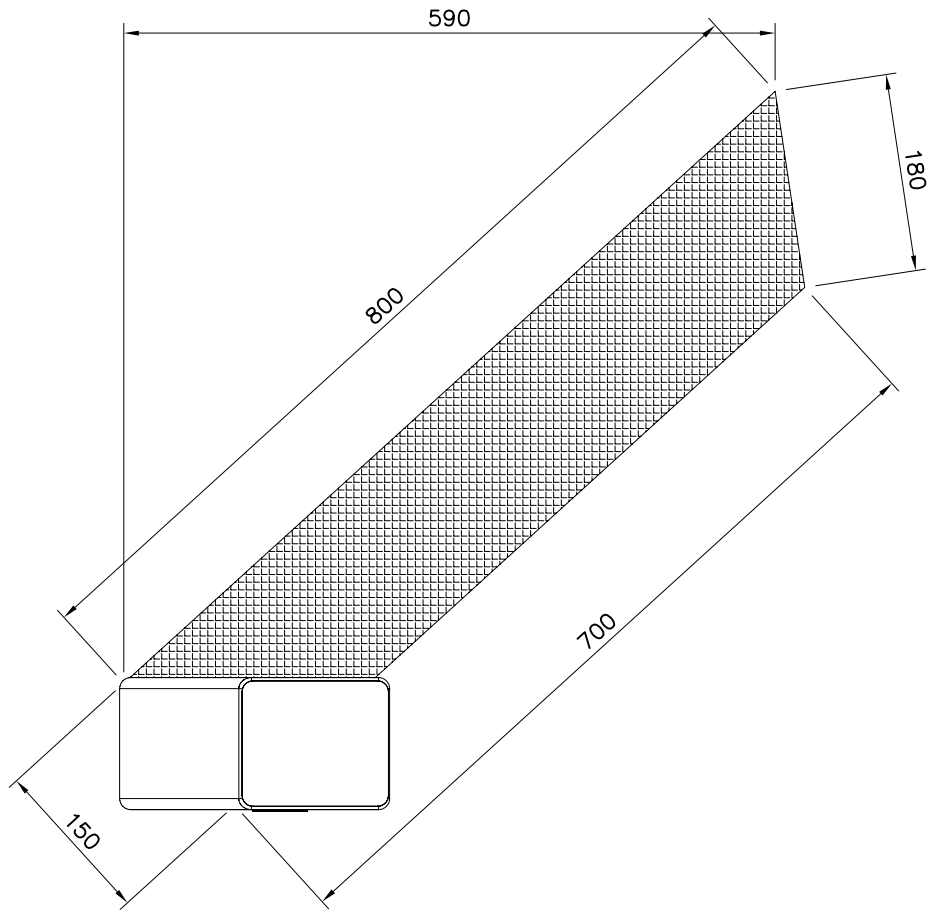


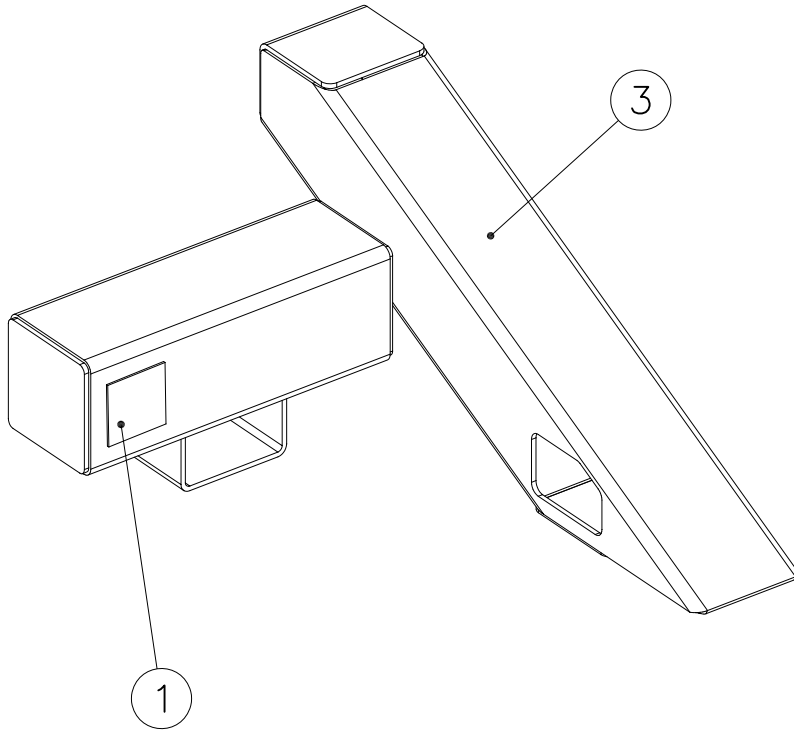


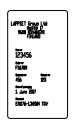



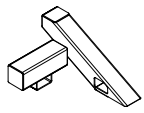


Shadow lines




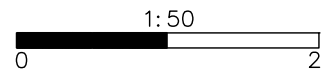


① 702341	PCS	② 709381	PCS
	1		2
90x50		SURFACE	

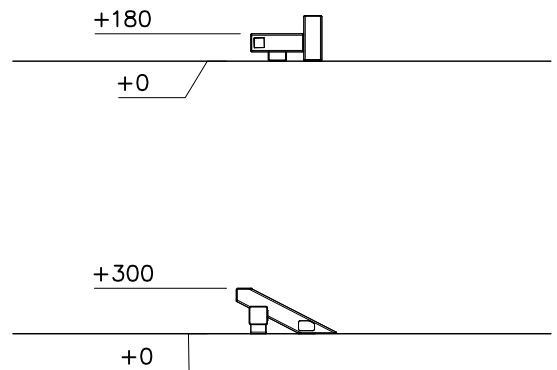
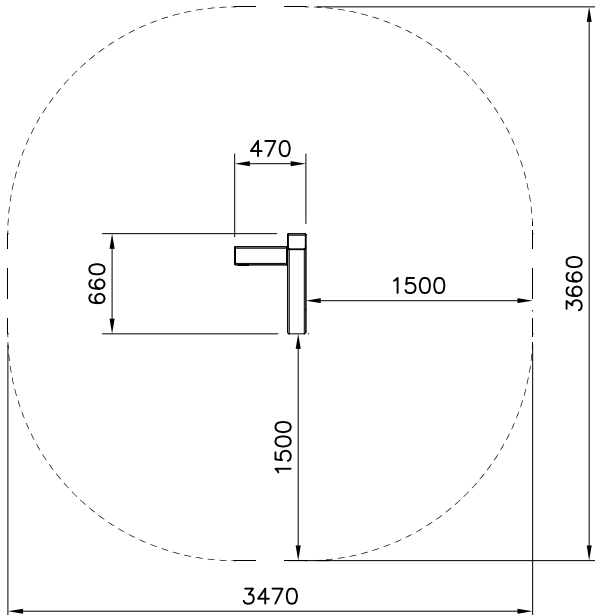
③ 910220	PCS
	1
300x470x662	

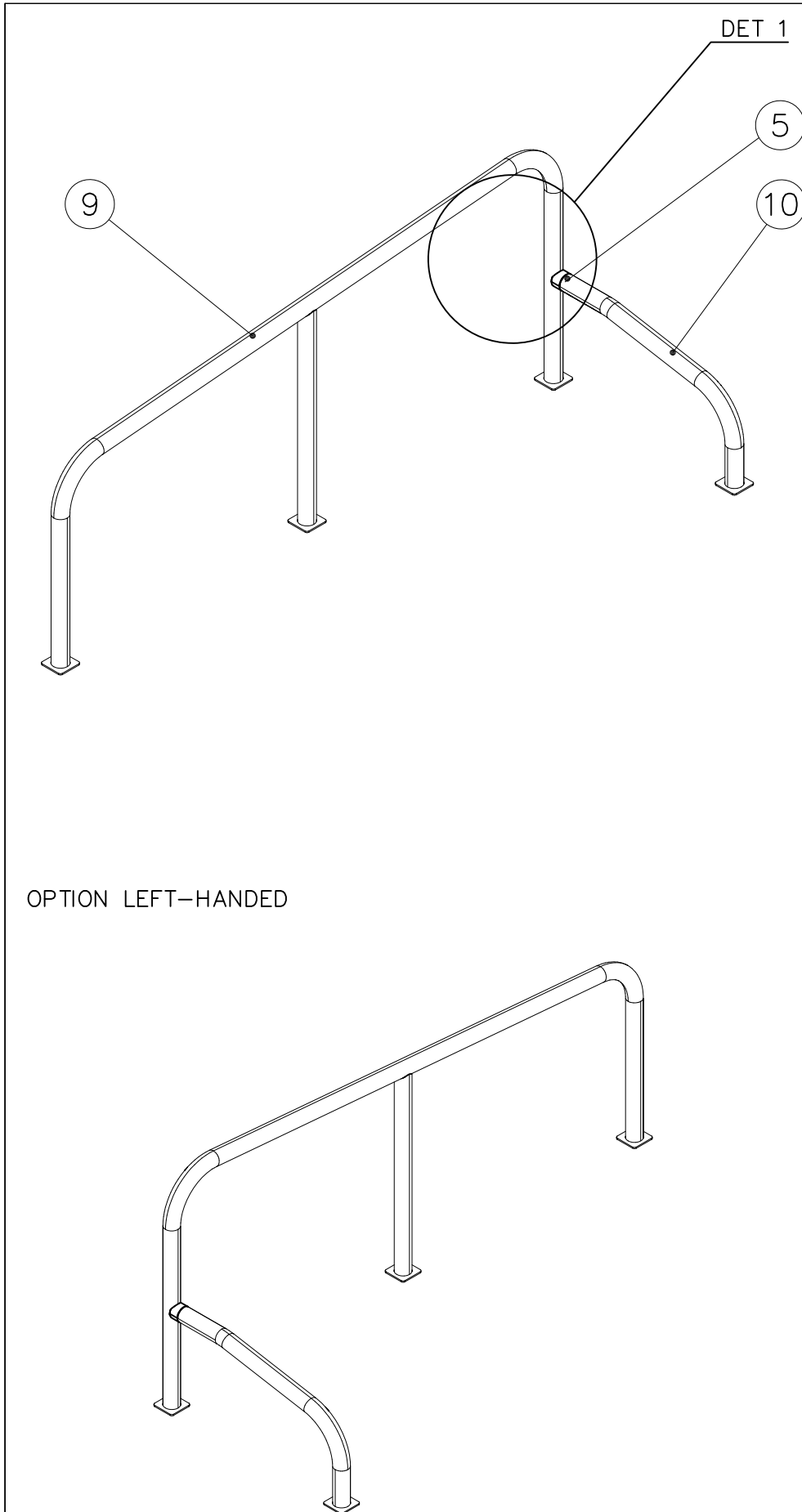
FOOT OPTION FOR DEEP MOUNTING

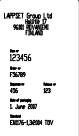


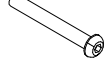
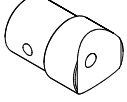
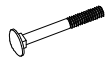


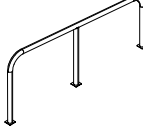
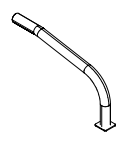

709379+	
○ 902564	PCS
	2
L 550	



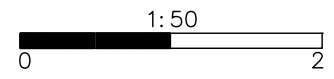
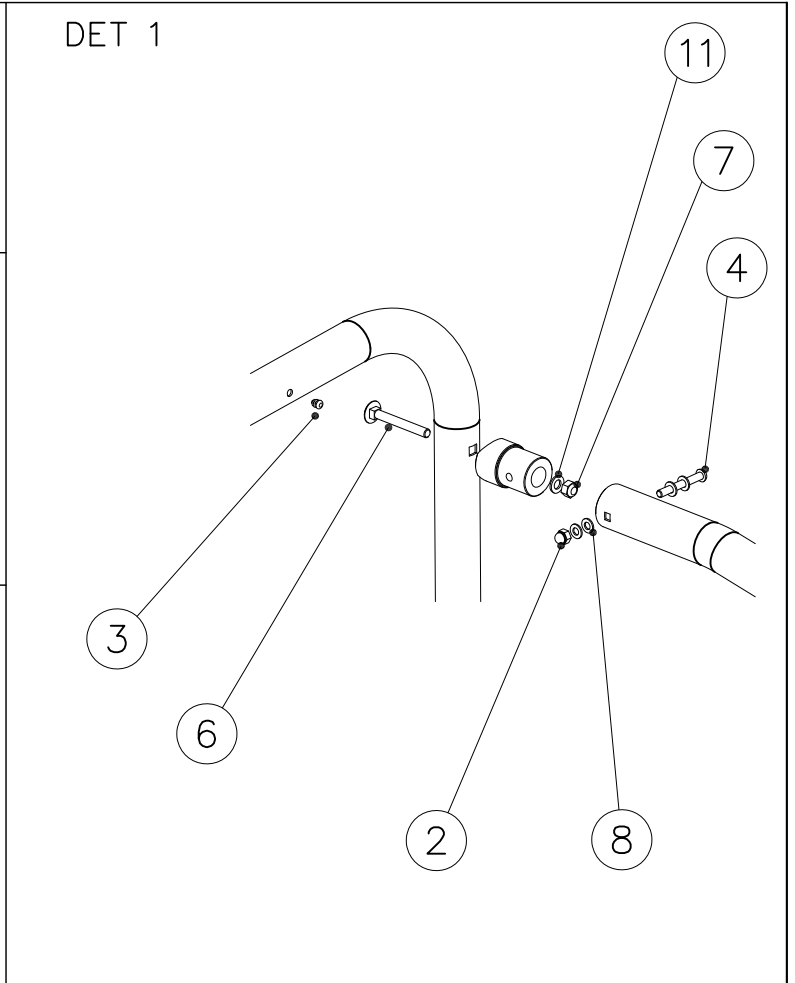
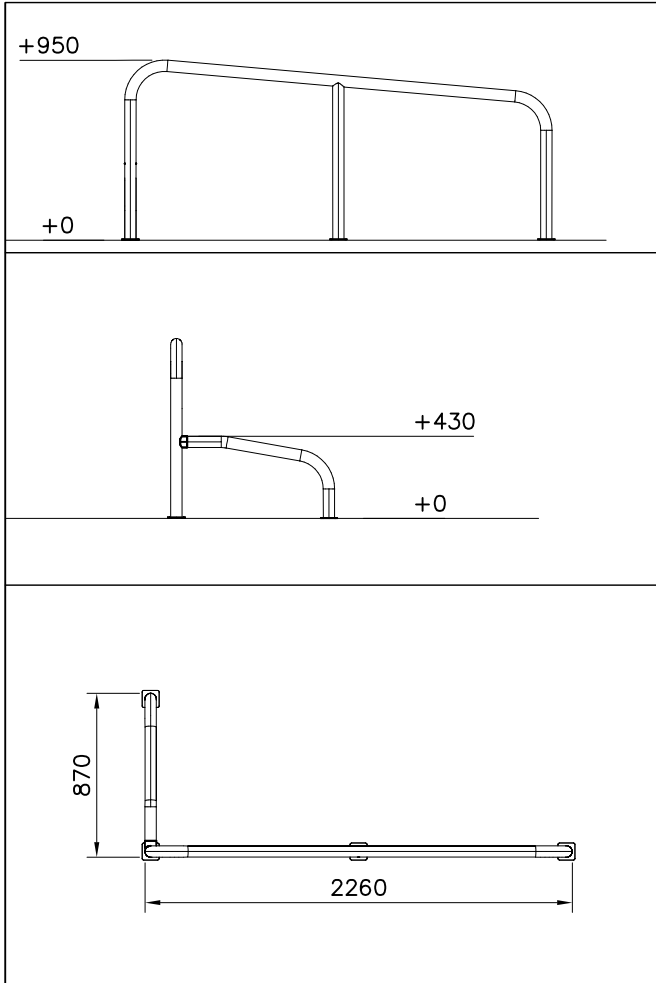
----- Falling Space 10.8 m²
 Max Falling Height 300 mm



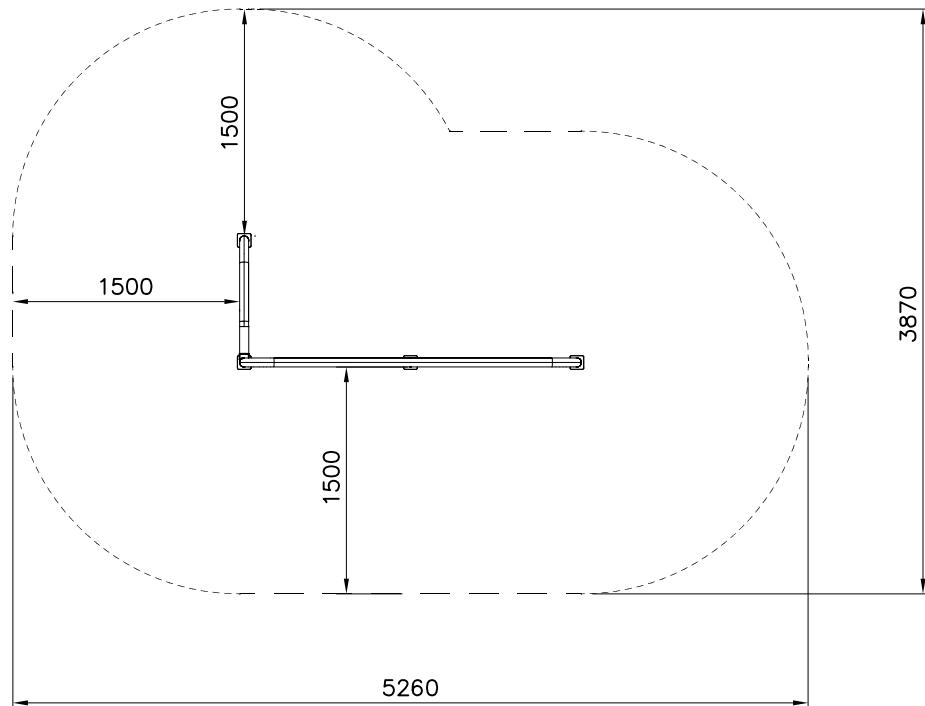


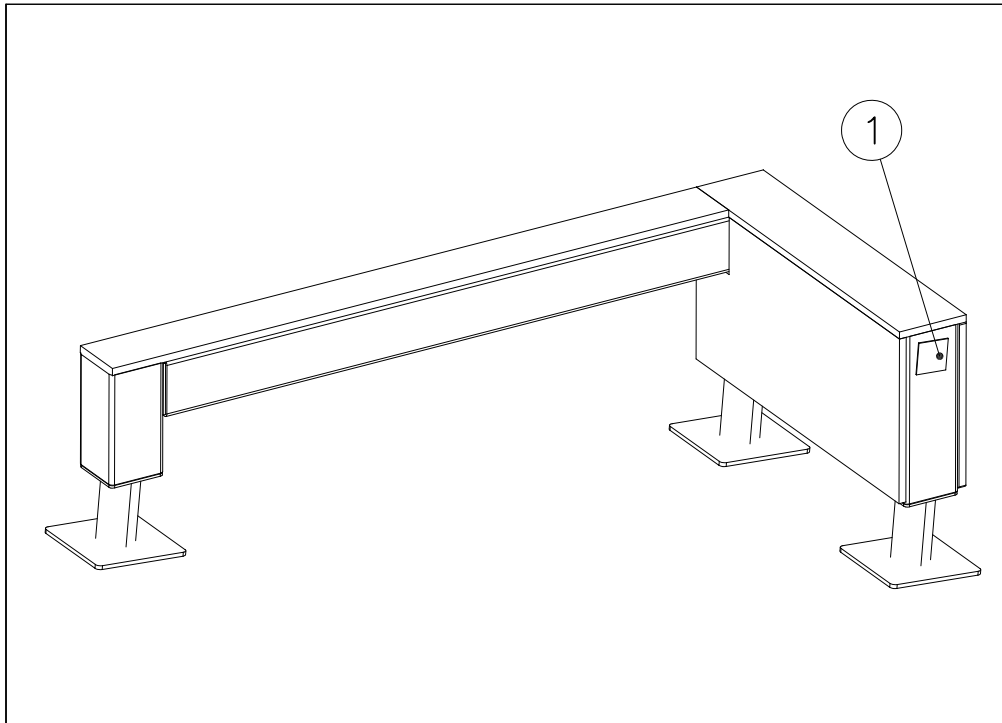
①	702341	PCS	②	900965	PCS
		1			1
	90x50		M10		
③	903533	PCS	④	904133	PCS
		4			1
	SRL12		M10x80		
⑤	908069	PCS	⑥	909111	PCS
		1			1
	Ø60x87.6		M12x100		
⑦	909248	PCS	⑧	909638	PCS
		1			4
	M12		Ø20/10.5		
⑨	910255	PCS	⑩	910262	PCS
		1			1
	Ø60x950x2290		Ø60x435x795		
⑪	980154	PCS			PCS
		1			
	Ø24/13				


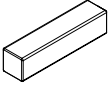
OPTION LEFT-HANDED






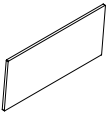
----- Falling Space 16.2 m2
 Max Falling Height 950 mm

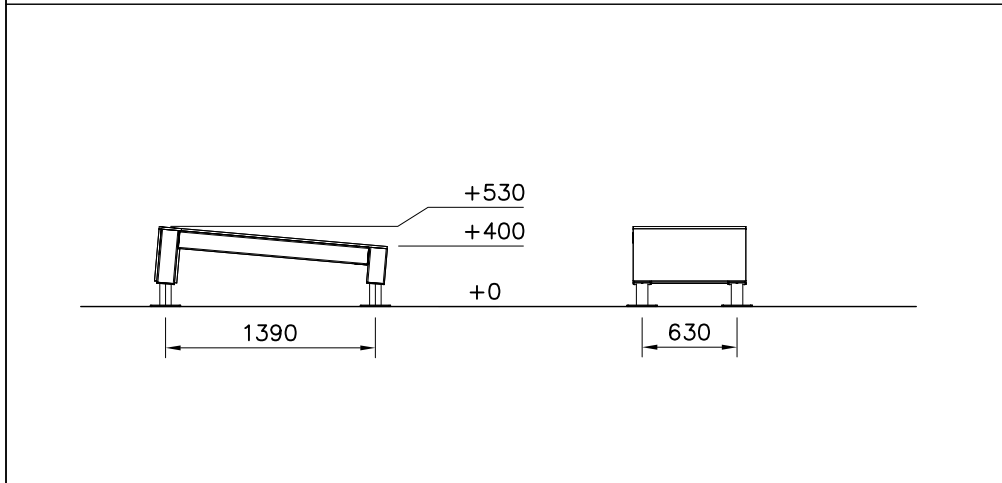


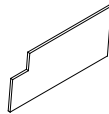
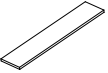



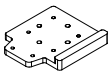
① 702286	PCS	② 707210	PCS
	1		2
65x65		118x118x503	

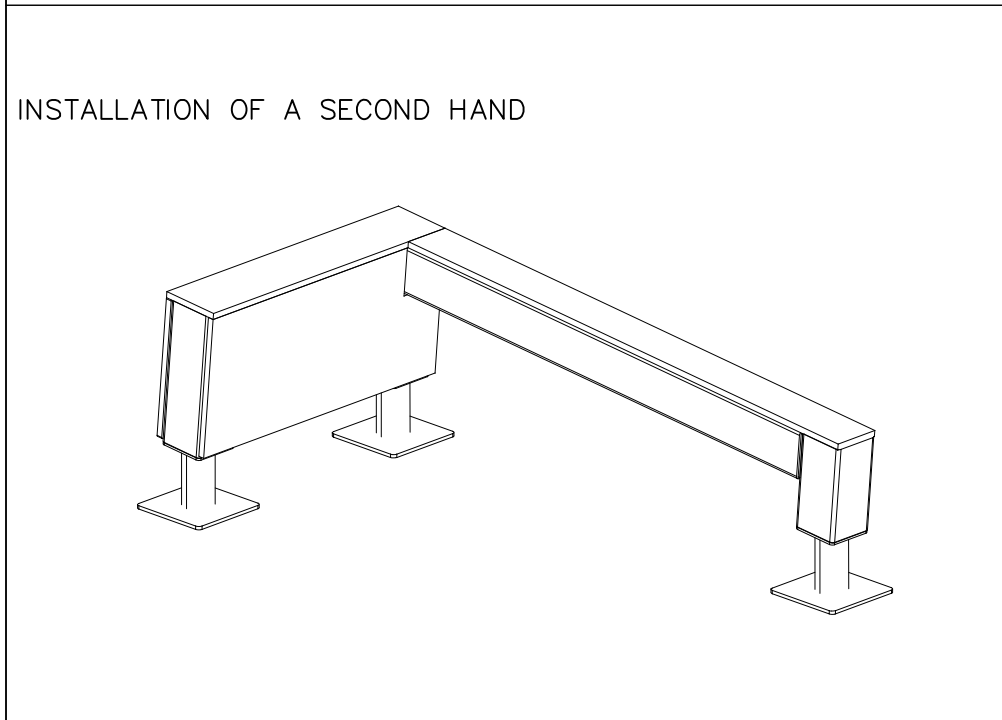
③ 707212	PCS	④ 708347	PCS
	1		1
118x118x1254		118x118x231	

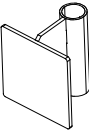

⑤ 708443	PCS	⑥ 708727	PCS
	2		1
118x118x352		15x346x745	






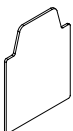
⑦ 708730	PCS	⑧ 708733	PCS
	1		1
15x346x745		15x148x745	




⑨ 708734	PCS	⑩ 708857 JIG	PCS
	1		1
15x118x1365		20x133x149	



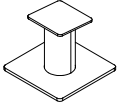

⑪ 910266	PCS	⑫ 900240	PCS
	2		16
90x108x118		Ø8x70	

⑬ 903093	PCS	⑭ 905103	PCS
	4		2
Ø8x90		PT-28/32-H	

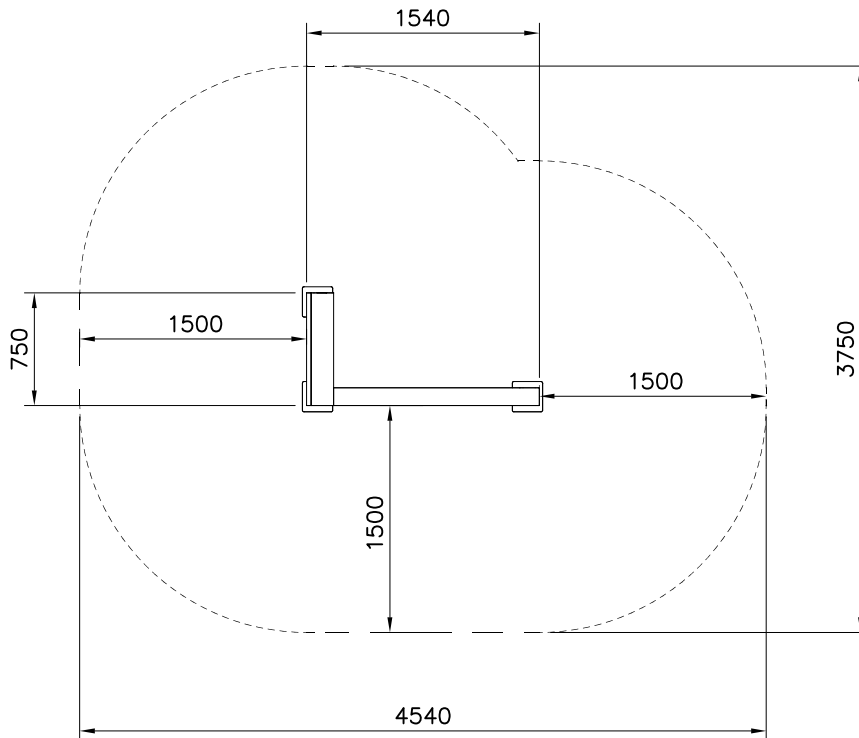
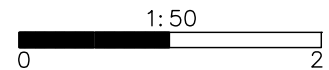
⑮ 905112	PCS	⑯ 908698	PCS
	4		4
Ø22		3x114x108	

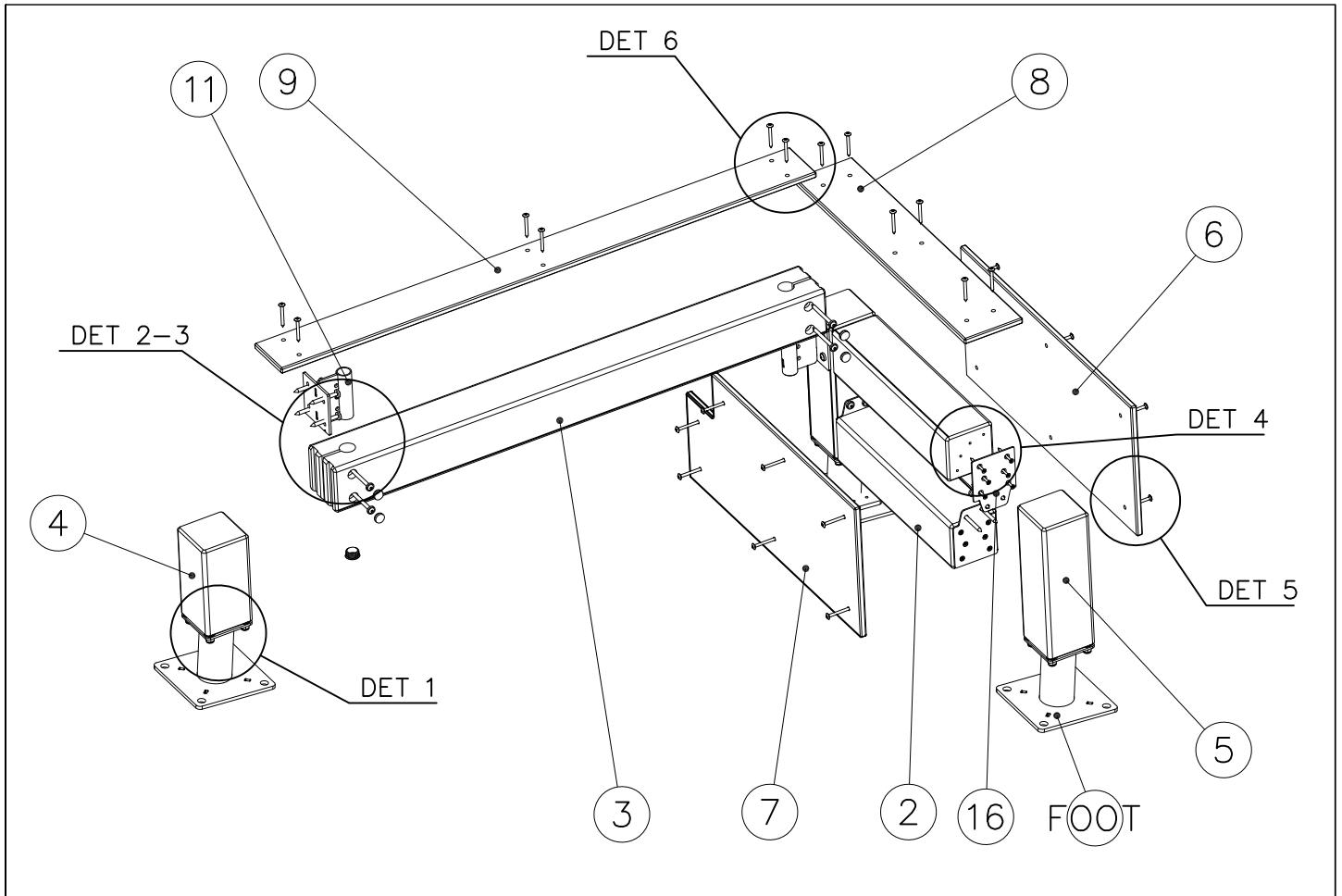
17	980100	PCS	18	980114	PCS	19	980123	PCS
		28			4			25
								
	Ø5x60			Ø4x20			Ø7x60	

FOOT OPTIONS

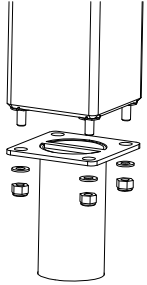
709261+		709262+	
○ 910267	PCS	○ 910567	PCS
SURFACE	3	CONCRETE	3
			
152x200x200		117x117x715	

----- Falling Space 13.8 m²
Max Falling Height 530 mm

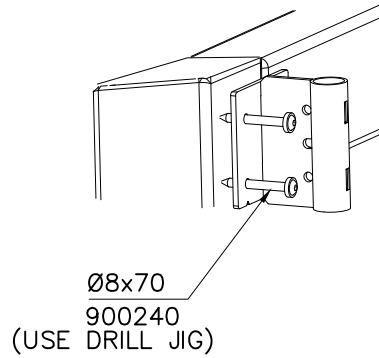




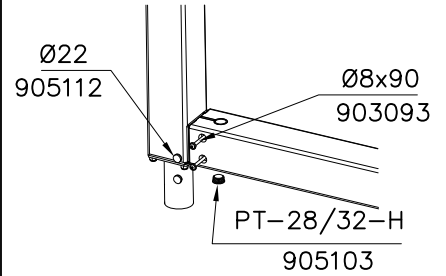
DET 1



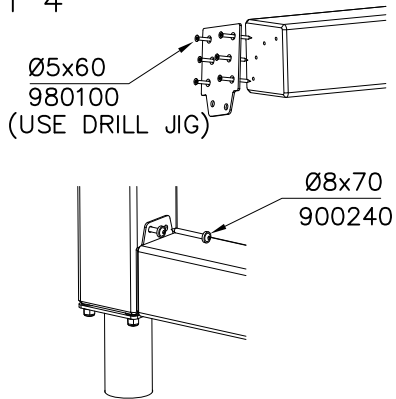
DET 2



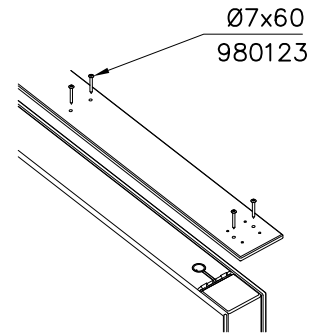
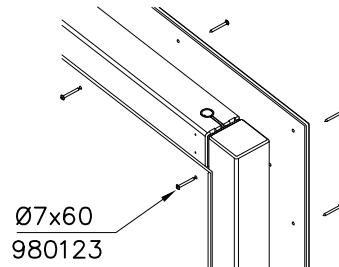
DET 3



DET 4

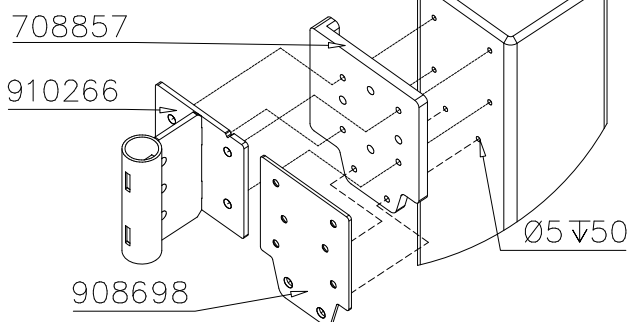


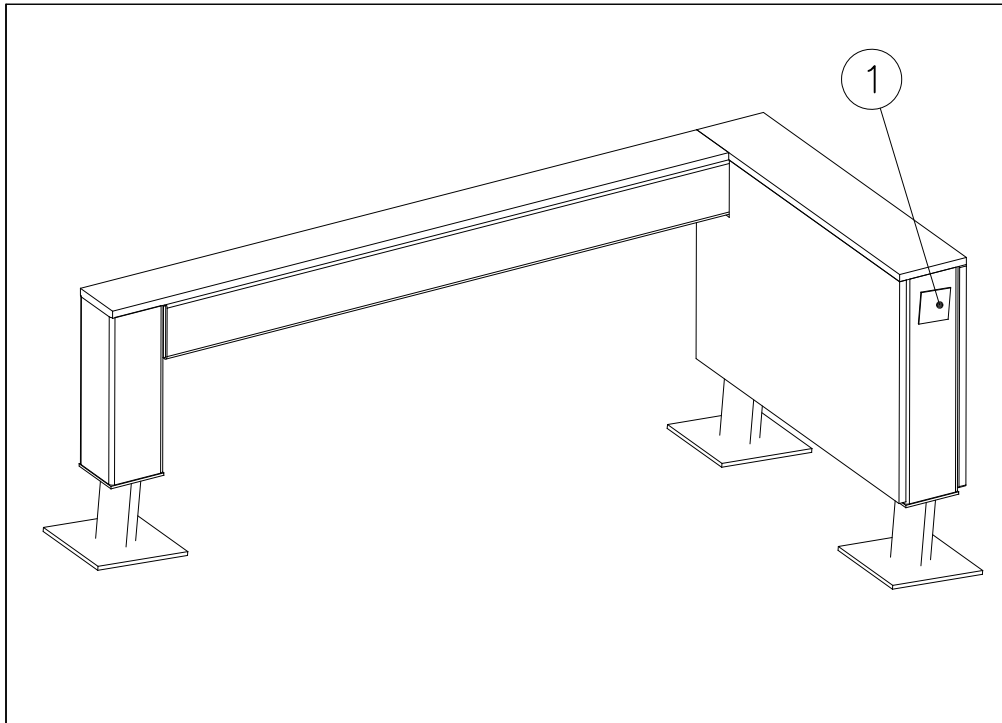
DET 5

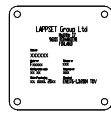
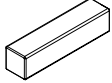



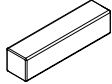
JIG DET A (USE DET 2-4)

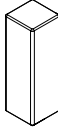
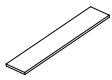
NOTE:
Use drill jig 708857
to predrill Ø5 ∇ 50
holes for 910266
and 908698

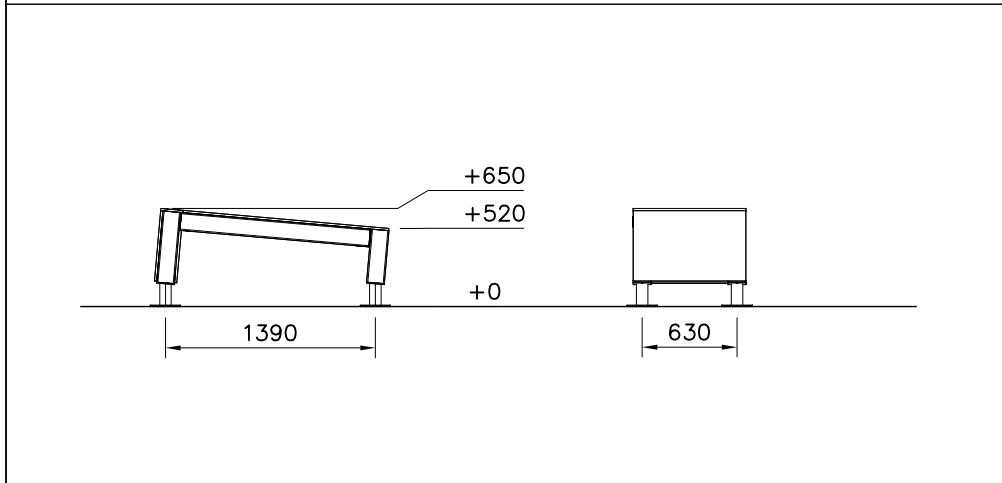



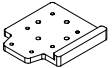


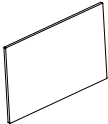

①	702286	PCS	②	707210	PCS
		1			2
	65x65			118x118x503	

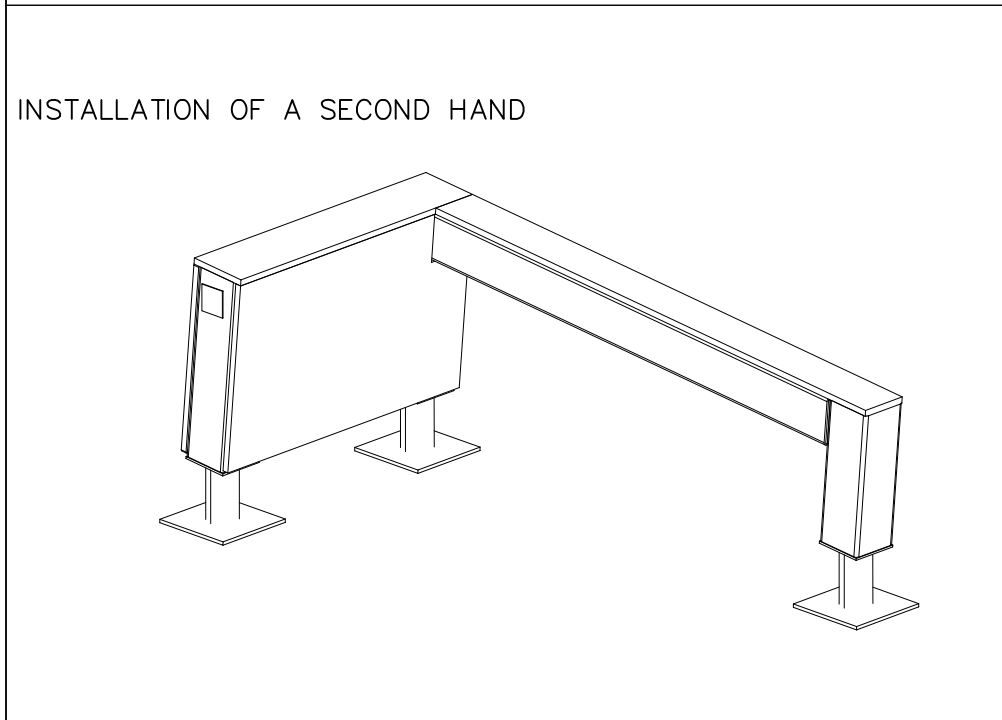
③	707212	PCS	④	707889	PCS
		1			2
	118x118x1254			118x118x472	



⑤	708443	PCS	⑥	708733	PCS
		1			1
	118x118x352			15x148x745	


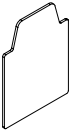


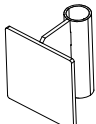
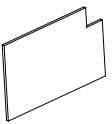
⑦	708734	PCS	⑧	708857 JIG	PCS
		1			1
	15x118x1365			20x133x149	




⑨	708731	PCS	⑩	900240	PCS
		1			16
	15x466x745			Ø8x70	



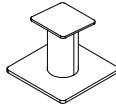

⑪	903093	PCS	⑫	905103	PCS
		4			2
	Ø8x90			PT-28/32-H	

⑬	905112	PCS	⑭	908698	PCS
		4			4
	Ø22			3x114x108	

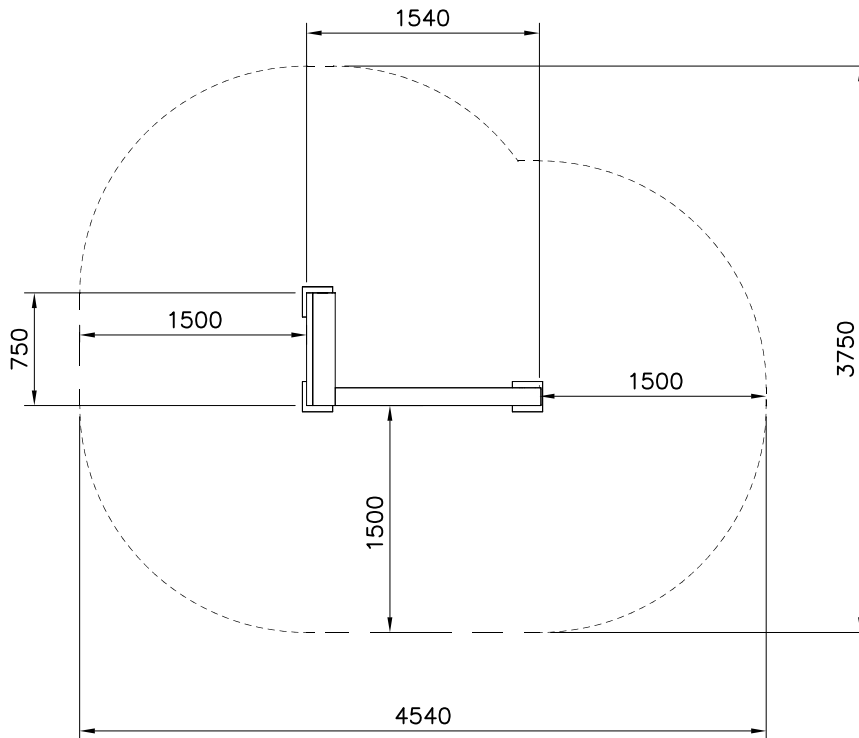
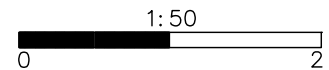
⑮	910266	PCS	⑯	708732	PCS
		2			1
	90x108x118			15x466x745	

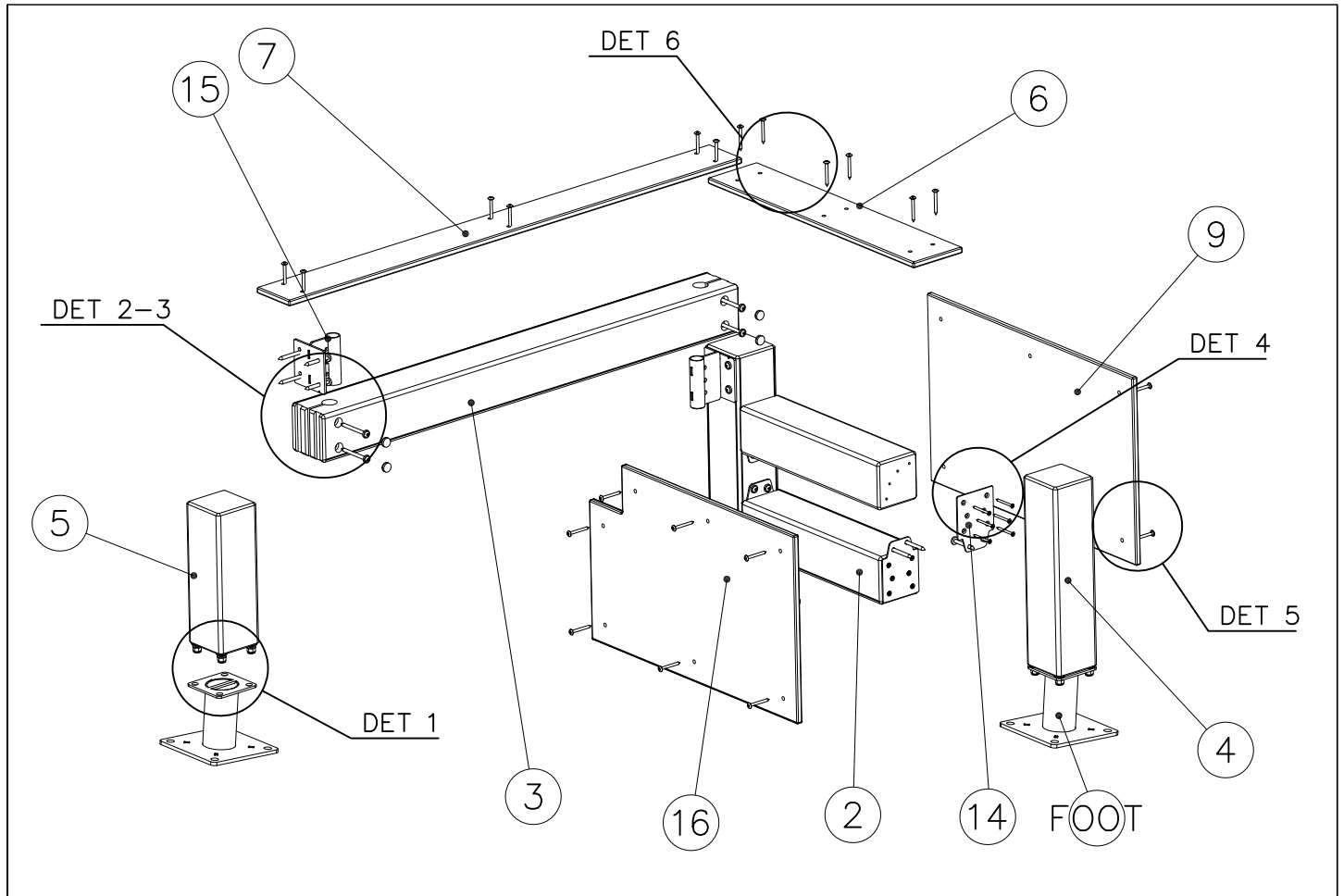
17	980100	PCS	18	980114	PCS	19	980123	PCS
		28			4			25
								
Ø5x60			Ø4x20			Ø7x60		

FOOT OPTIONS

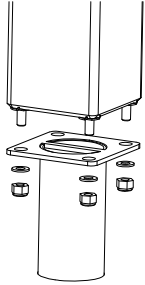
709261+		709262+	
○ 910267	PCS	○ 910567	PCS
SURFACE	3	CONCRETE	3
			
152x200x200		117x117x715	

----- Falling Space 13.8 m²
Max Falling Height 650 mm

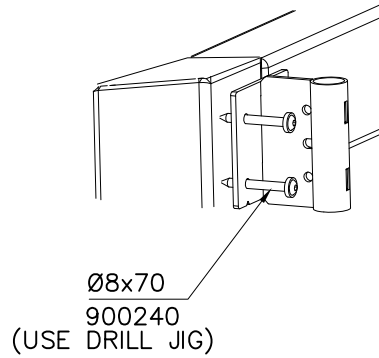




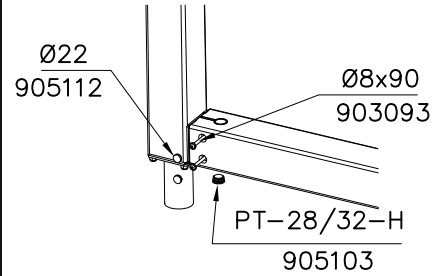
DET 1



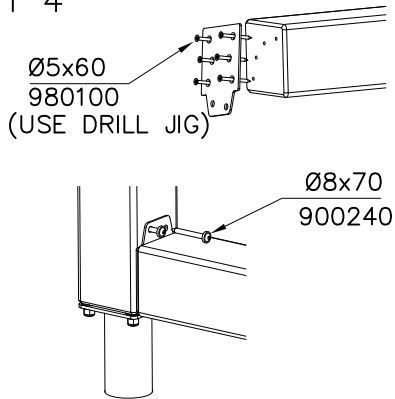
DET 2



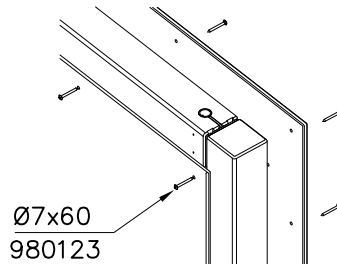
DET 3



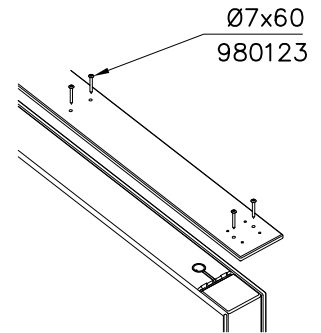
DET 4



DET 5

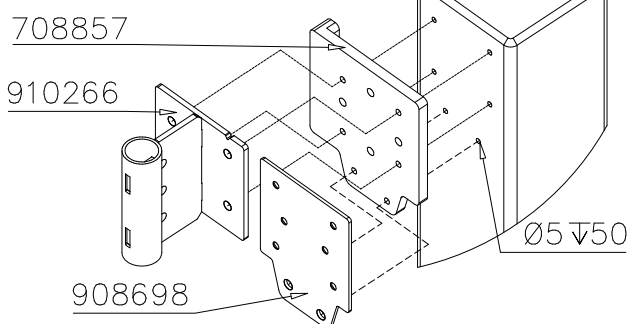


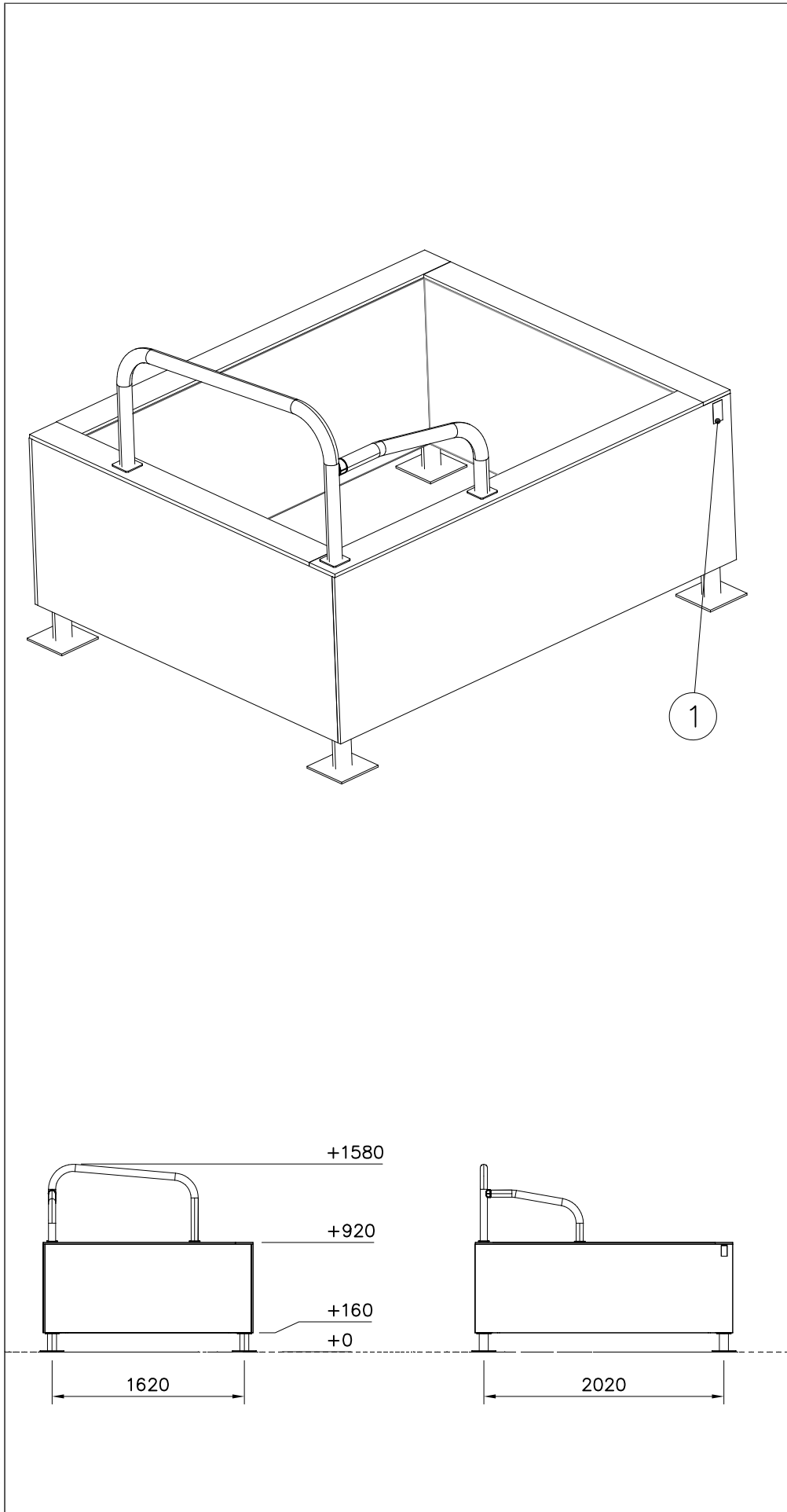
DET 6





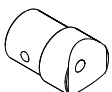




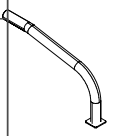
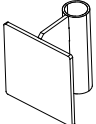

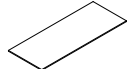
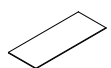
JIG DET A (USE DET 2-4)

NOTE:
Use drill jig 708857
to predrill $\text{Ø}5\sqrt{50}$
holes for 910266
and 908698

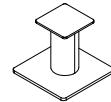





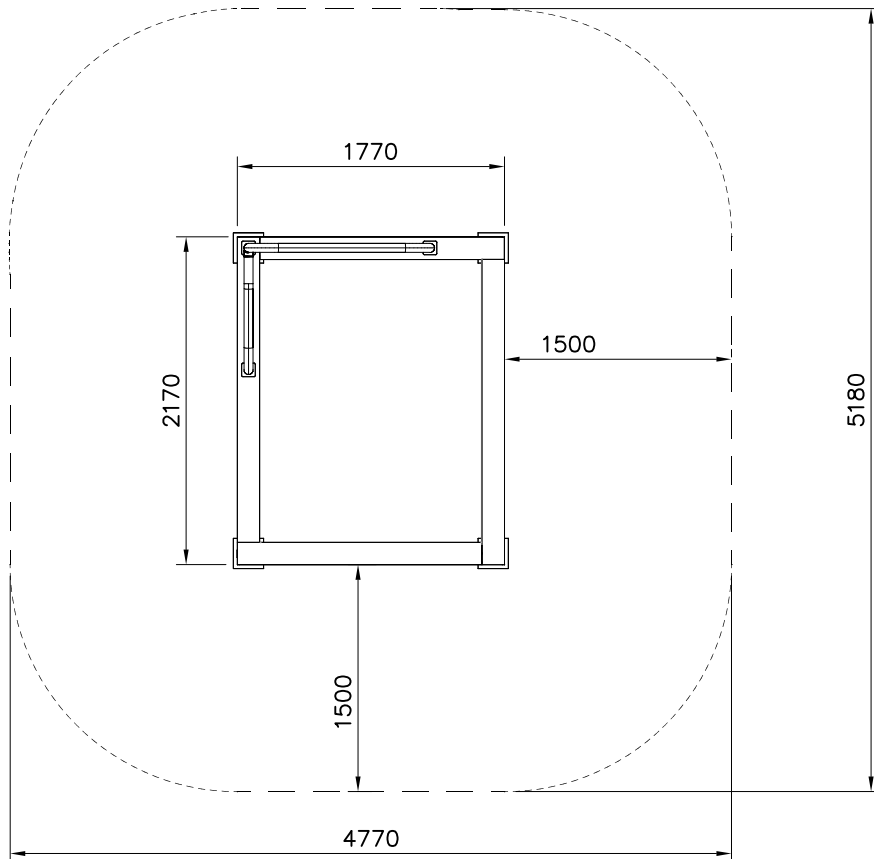
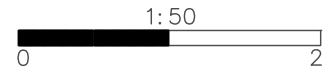
① 702341 90x50	PCS 1	② 707213 118x118x1490	PCS 4
③ 707517 118x118x1892	PCS 4	④ 708137 118x118x745	PCS 4
⑤ 708836 15x745x1736	PCS 2	⑥ 708837 15x745x2168	PCS 2
⑦ 708839 15x745x1897	PCS 1	⑧ 708840 15x148x2018	PCS 2
⑨ 708841 15x148x1616	PCS 2	⑩ 708857 JIG 20x133x149	PCS 1
⑪ 980154 Ø24/13	PCS 1	⑫ 900240 Ø8x70	PCS 64
⑬ 900965 M10	PCS 1	⑭ 903093 Ø8x90	PCS 44
⑮ 903533 SRL12	PCS 4	⑯ 904133 M10x80	PCS 1

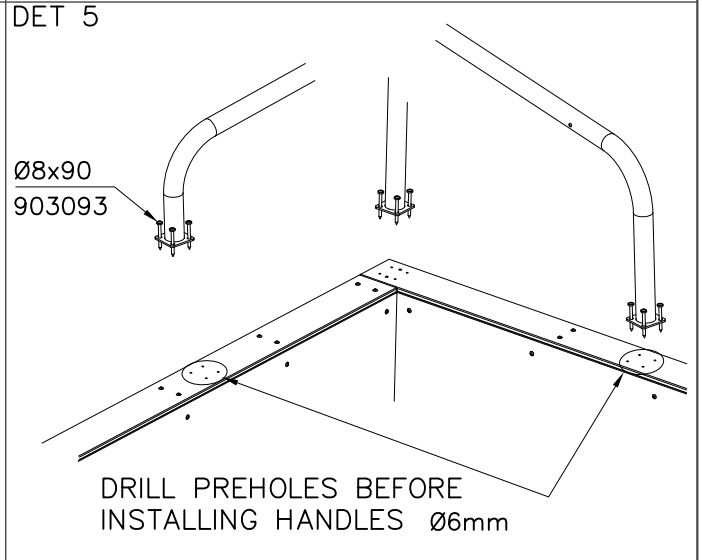
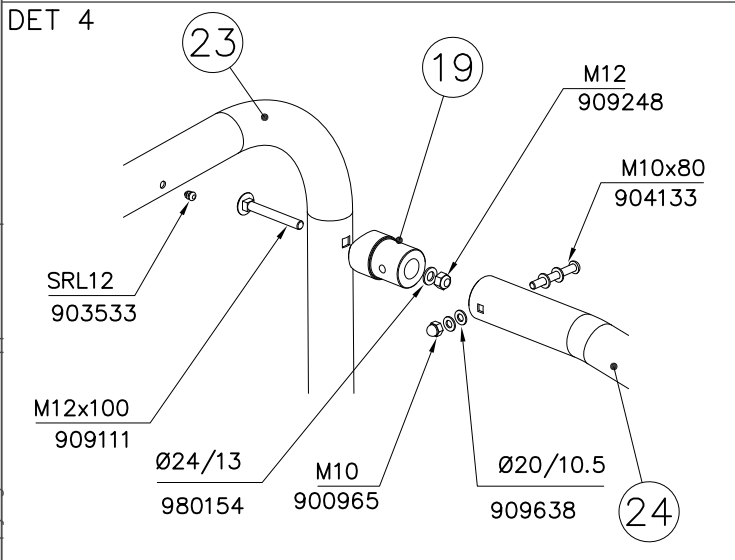
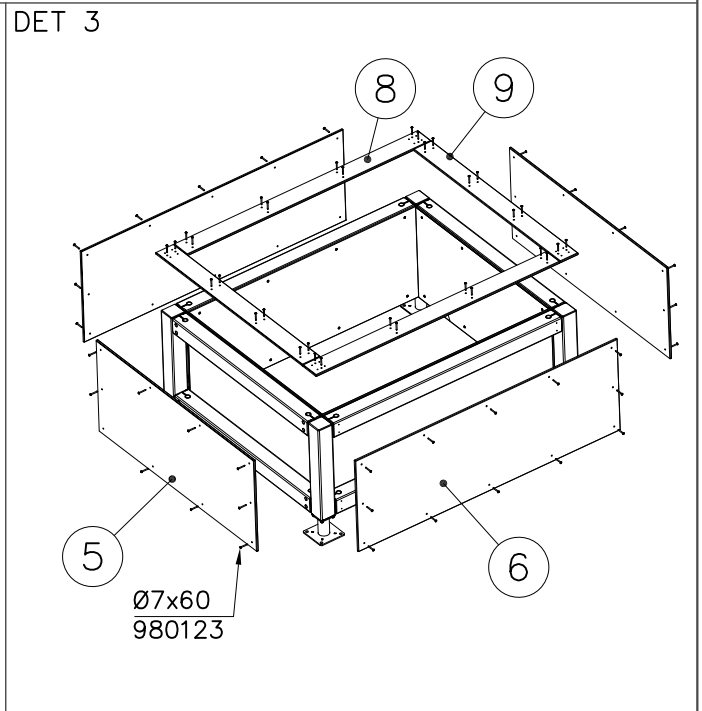
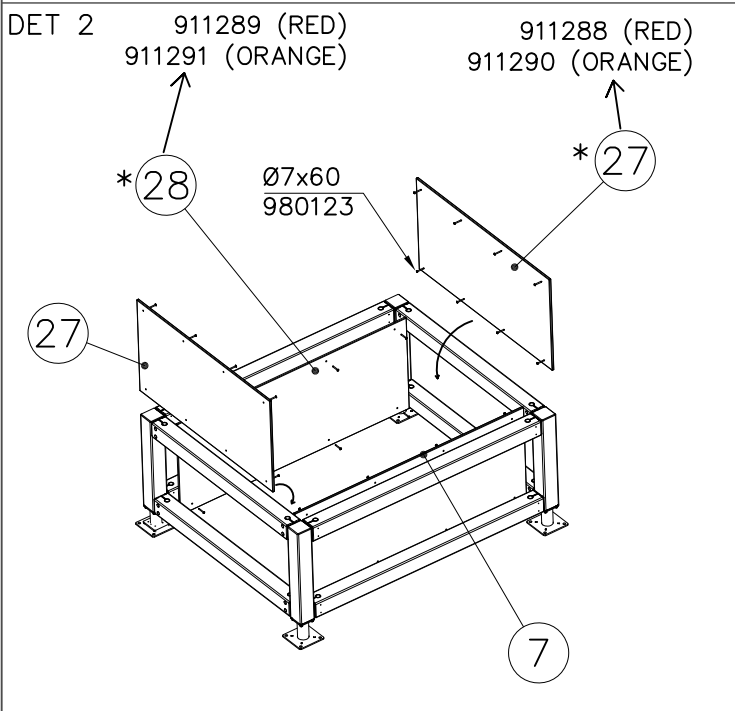
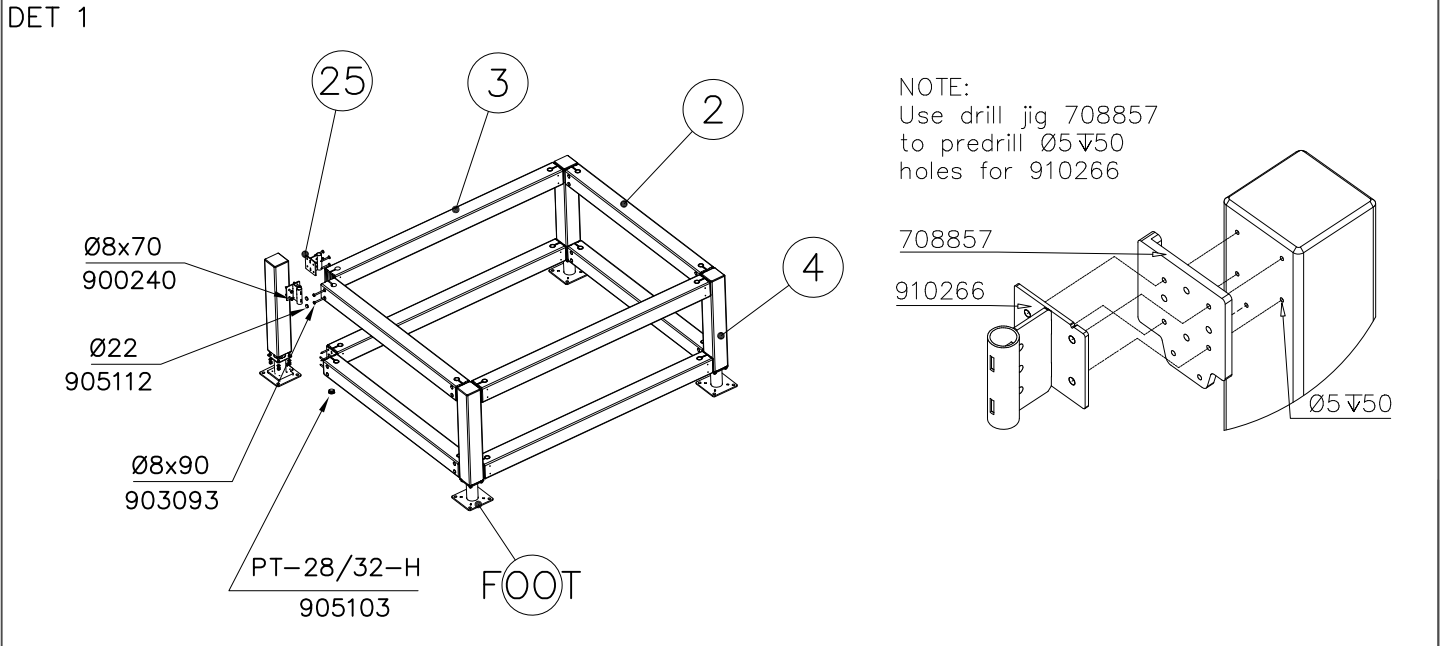
<p>⑰ 905103</p>  <p>PCS 16</p> <p>PT-28/32-H</p>	<p>⑱ 905112</p>  <p>PCS 32</p> <p>Ø22</p>	<p>⑲ 908069</p>  <p>PCS 1</p> <p>Ø60x87.6</p>	<p>⑳ 909111</p>  <p>PCS 1</p> <p>M12x100</p>	<p>㉑ 909248</p>  <p>PCS 1</p> <p>M12</p>	<p>㉒ 909638</p>  <p>PCS 4</p> <p>Ø20/10.5</p>
<p>㉓ 910254</p>  <p>PCS 1</p> <p>Ø60x650x1290</p>	<p>㉔ 910262</p>  <p>PCS 1</p> <p>Ø60x435x795</p>	<p>㉕ 910266</p>  <p>PCS 16</p> <p>90x108x118</p>	<p>㉖ 980123</p>  <p>PCS 108</p> <p>Ø7x60</p>	<p>㉗ 911288 COLOR</p>  <p>PCS 2</p> <p>15x745x1465</p>	<p>㉘ 911289 COLOR</p>  <p>PCS 1</p> <p>15x745x1897</p>

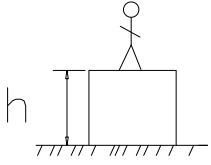
FOOT OPTIONS

709261+		709262+	
<p>○ 910330</p> <p>SURFACE</p>  <p>152x200x200</p>	<p>PCS 4</p>	<p>○ 910567</p> <p>CONCRETE</p>  <p>117x117x715</p>	<p>PCS 4</p>

----- Falling Space 22.7 m²
Max Falling Height 1580 mm







$h < 1600$

Totally hard surfaces or materials with very limited impact attenuating properties.

Case by case risk assessment is needed including e.g. evaluation whether there is forced movement, what is the intended exercise and where will the product be installed.

Materials with significant impact attenuating properties.

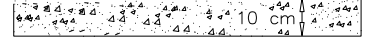
Totally hard surfaces.
E.g. concrete or asphalt



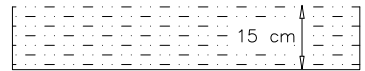
Materials with very limited impact attenuating properties.
E.g. wood



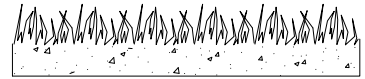
fine gravel 0–8 mm



Unsorted sand/ topsoil



Lawn

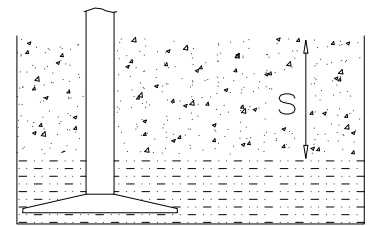


$h = 1600-$

$h < 3000$

Loose fill material

E.g.
sand/gravel 0,25...8 mm $D_{60}/D_{10} < 3,0$
Woodchips 5...30 mm
bark 20...80 mm



$\frac{S}{30 \text{ cm}}$ $\frac{h}{< 3,0 \text{ m}}$

Synthetic granulates

$\frac{S}{\text{mm}}$	$\frac{h}{\text{m}}$
40 mm	$\sim > 1,6... \sim < 1,8$ m
50 mm	$\sim > 1,8... \sim < 2,25$ m
55 mm	$\sim > 2,25... \sim < 2,4$ m
60 mm	$\sim > 2,4... \sim < 2,55$ m
70 mm	$\sim > 2,55... \sim < 3,0$ m

Note. For accurate values, see manufacturer's instructions.

