

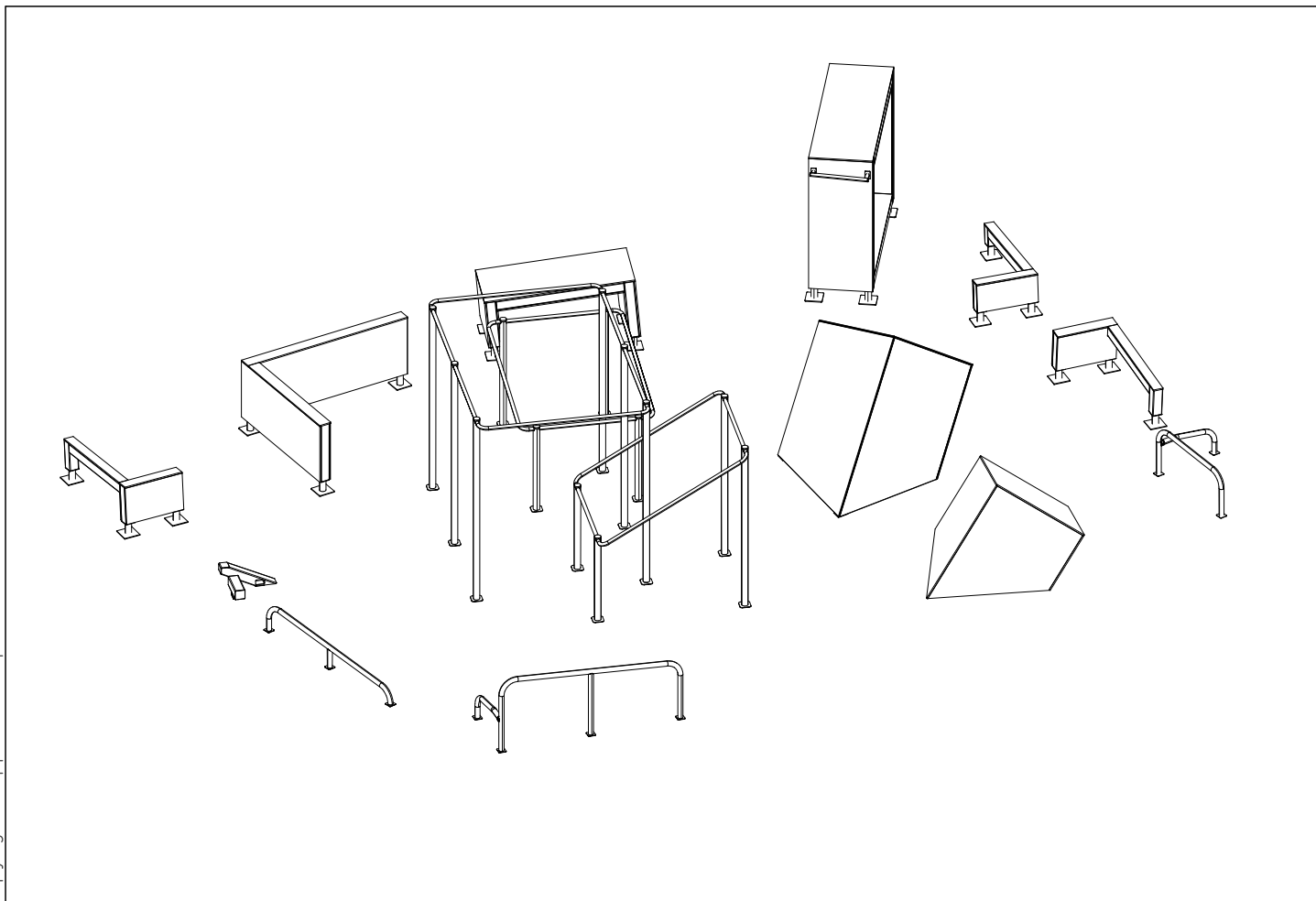
LAPPSET®

DASH PARKOUR

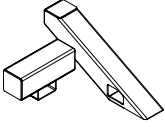
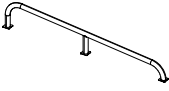
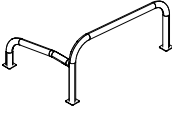
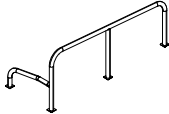
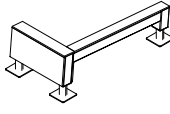
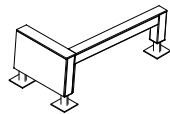






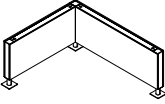
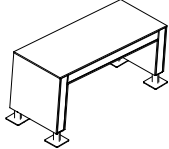
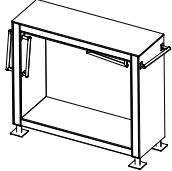
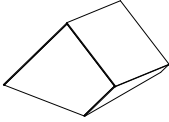
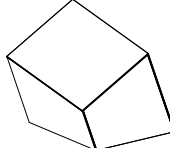
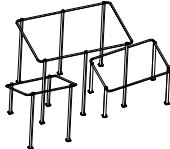






ASENNUSOHJE
MONTERINGSANSVISNING
INSTALLATION INSTRUCTION
AUFBAUANLEITUNG
NOTICE D'INSTALLATION

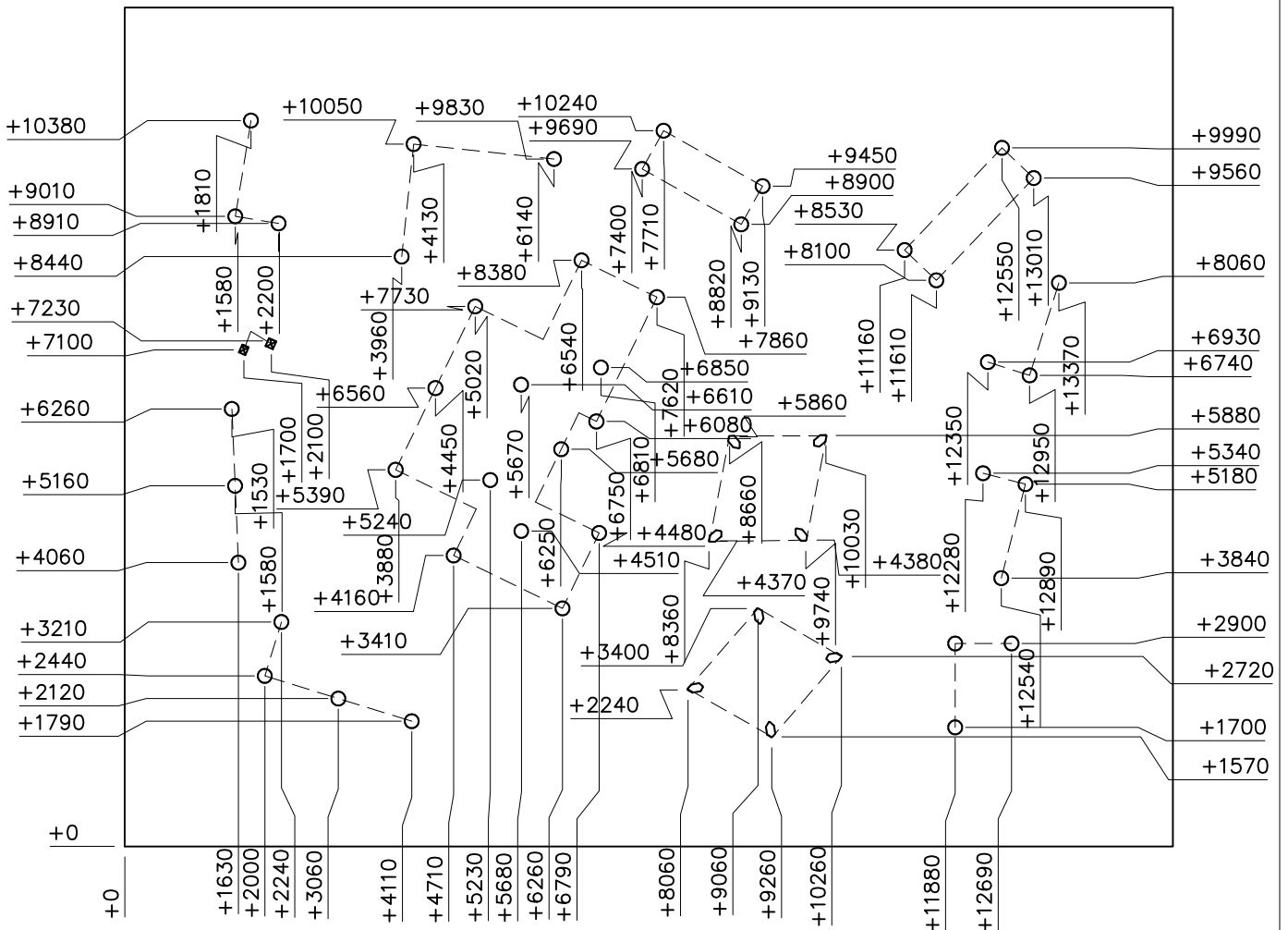
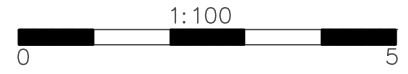
DATE: 19.2.2020

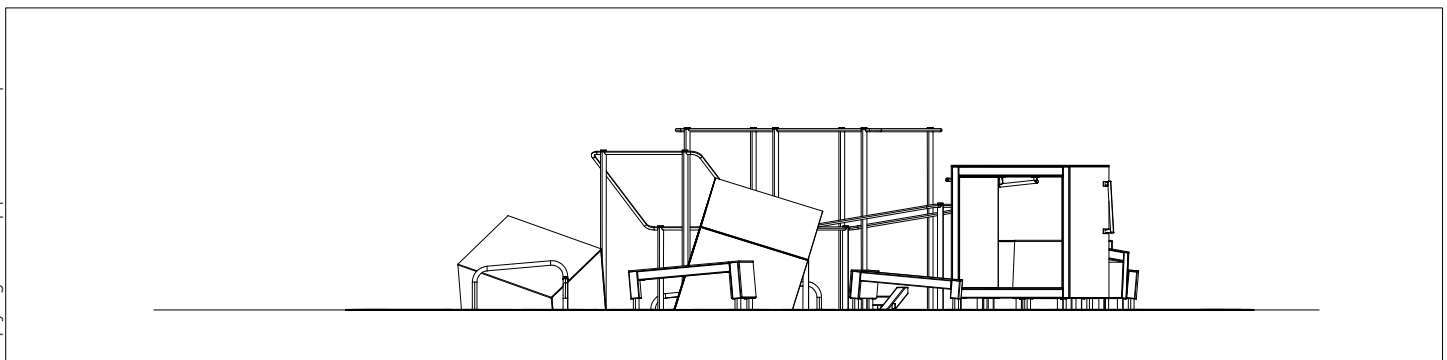
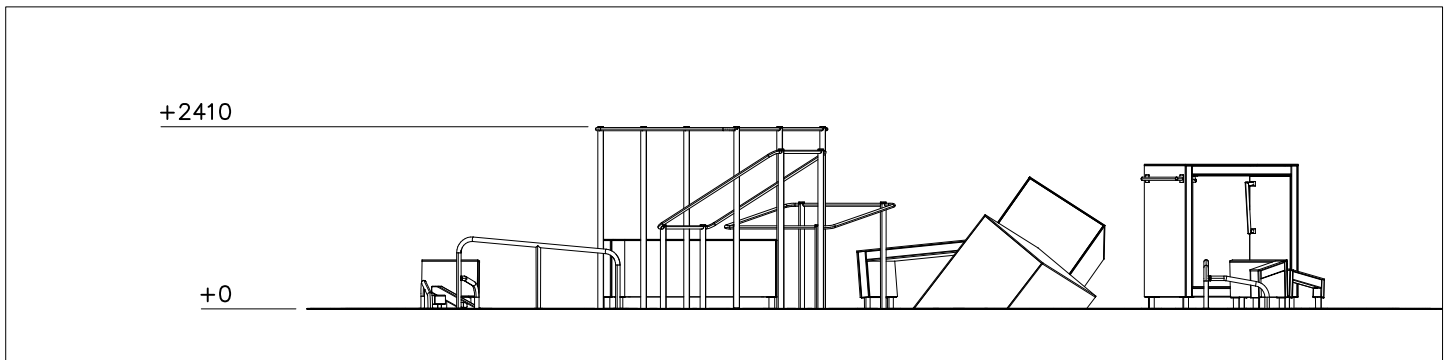
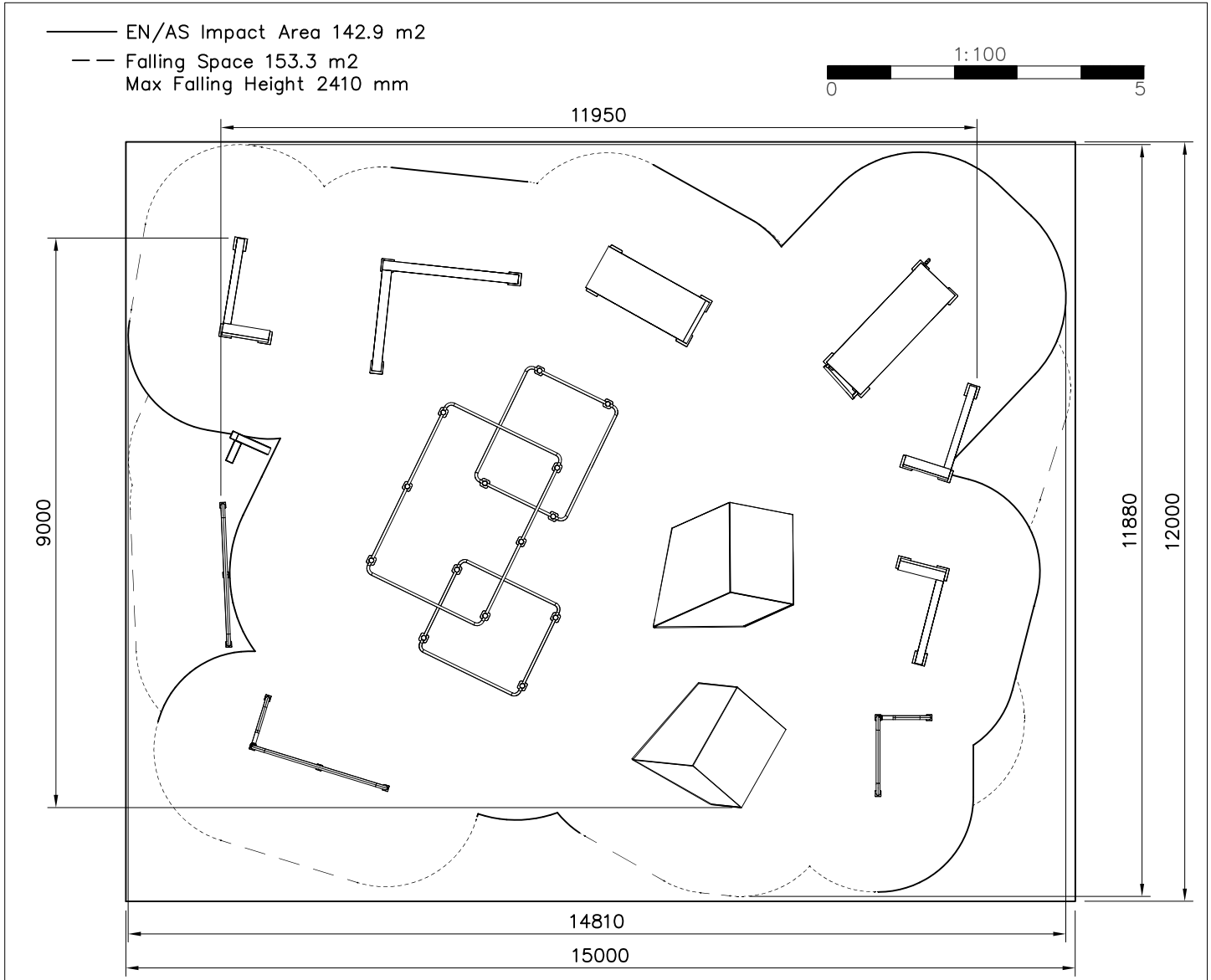
081785M

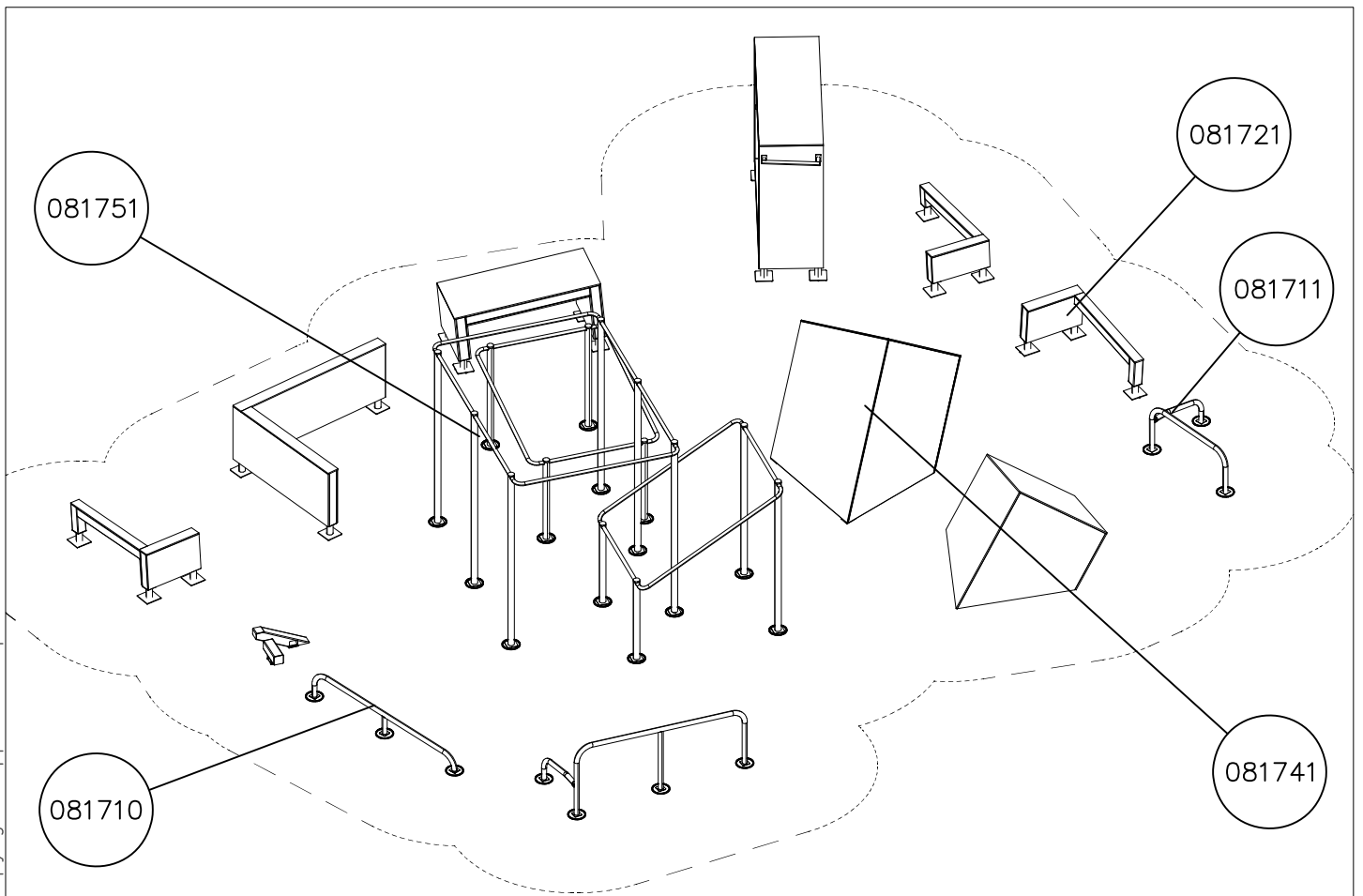
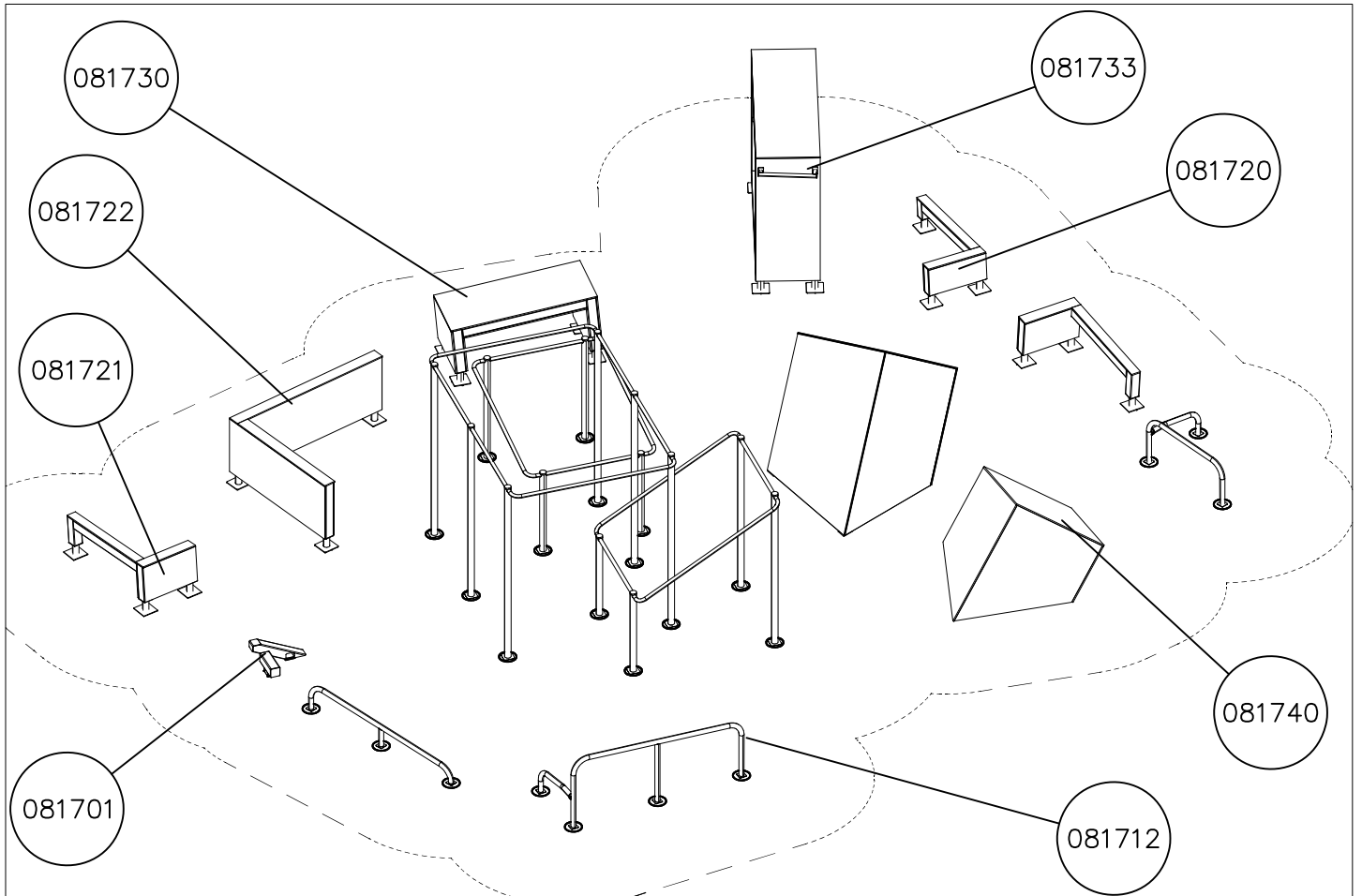


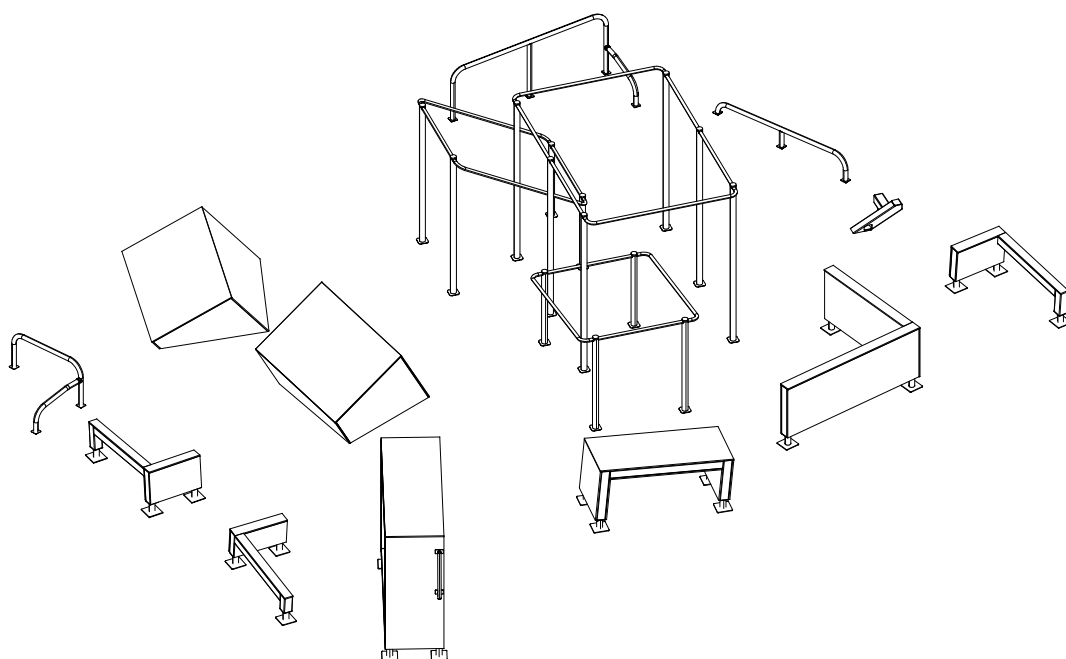
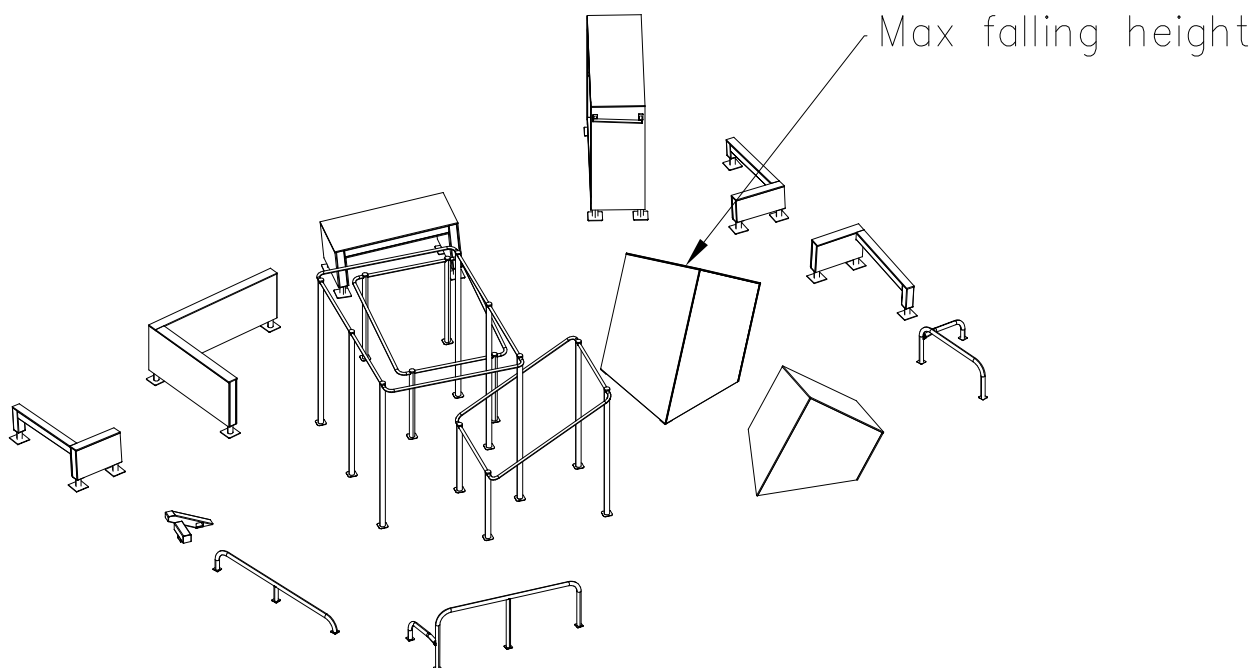
DATE: 19.2.2020

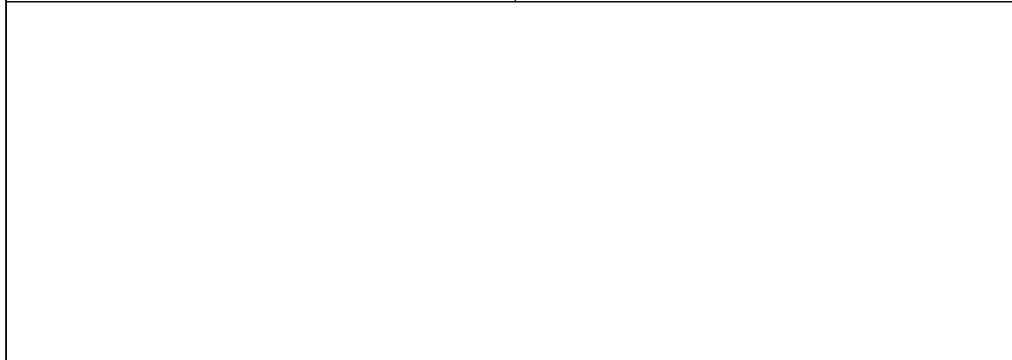
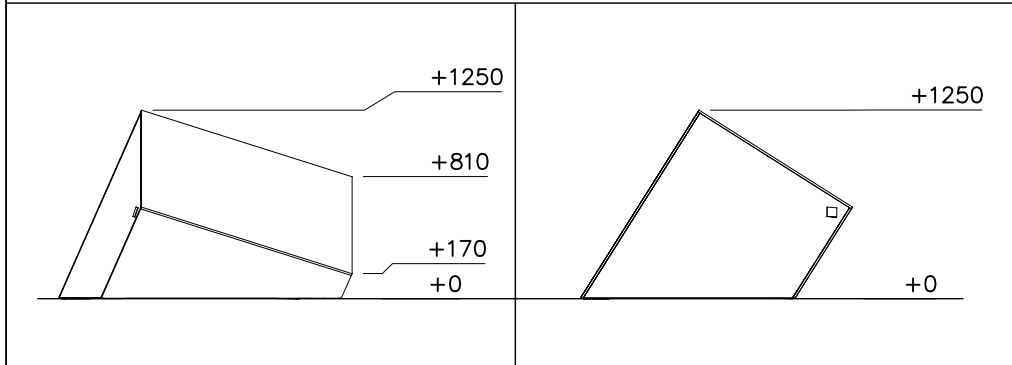
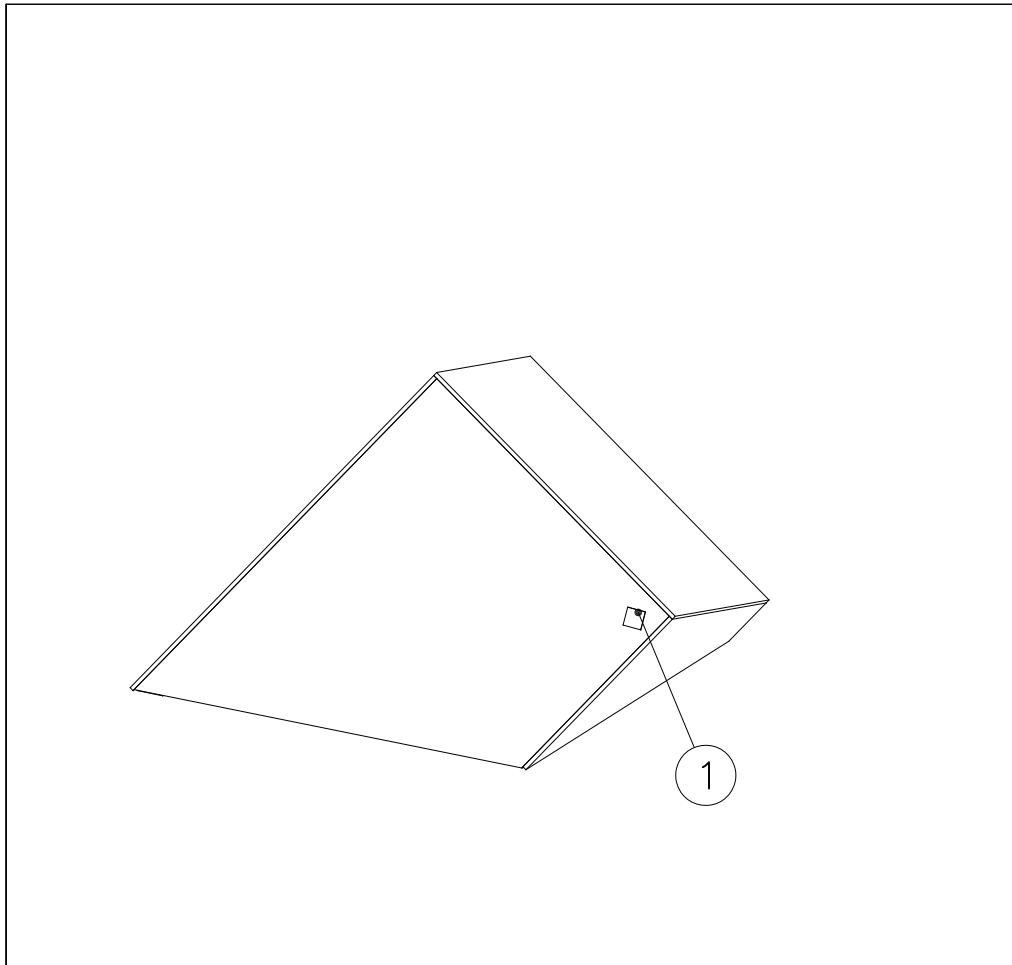
081701M	PCS 1	081710M	PCS 1	081711M	PCS 1	081712M	PCS 1	081720M	PCS 1	081721M	PCS 2
											
											
081722M	PCS 1	081730M	PCS 1	081733M	PCS 1	081740M	PCS 1	081741M	PCS 1	081751M	PCS 1
											
											
	PCS		PCS		PCS		PCS		PCS		PCS
	PCS		PCS		PCS		PCS		PCS		PCS
	PCS		PCS		PCS		PCS		PCS		PCS
	PCS		PCS		PCS		PCS		PCS		PCS
















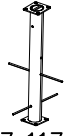
① 702341 90x50	PCS 1	② 709159 15x1200x1486	PCS 1
③ 709164 18x80x1135	PCS 2	④ 709165 18x80x1420	PCS 2
⑤ 709168 15x1486x1545	PCS 1	⑥ 709169 15x1170x1540	PCS 1
⑦ 709170 15x1170x1620	PCS 1	⑧ 709171 15x990x1170	PCS 1
⑨ 902233 M10x30	PCS 24	⑩ 905112 Ø22	PCS 24
⑪ 909637 M10	PCS 24	⑫ 909638 Ø20/10.5	PCS 48
⑬ 909876 M8x40	PCS 48	⑭ 910744 154x1160x1445	PCS 1

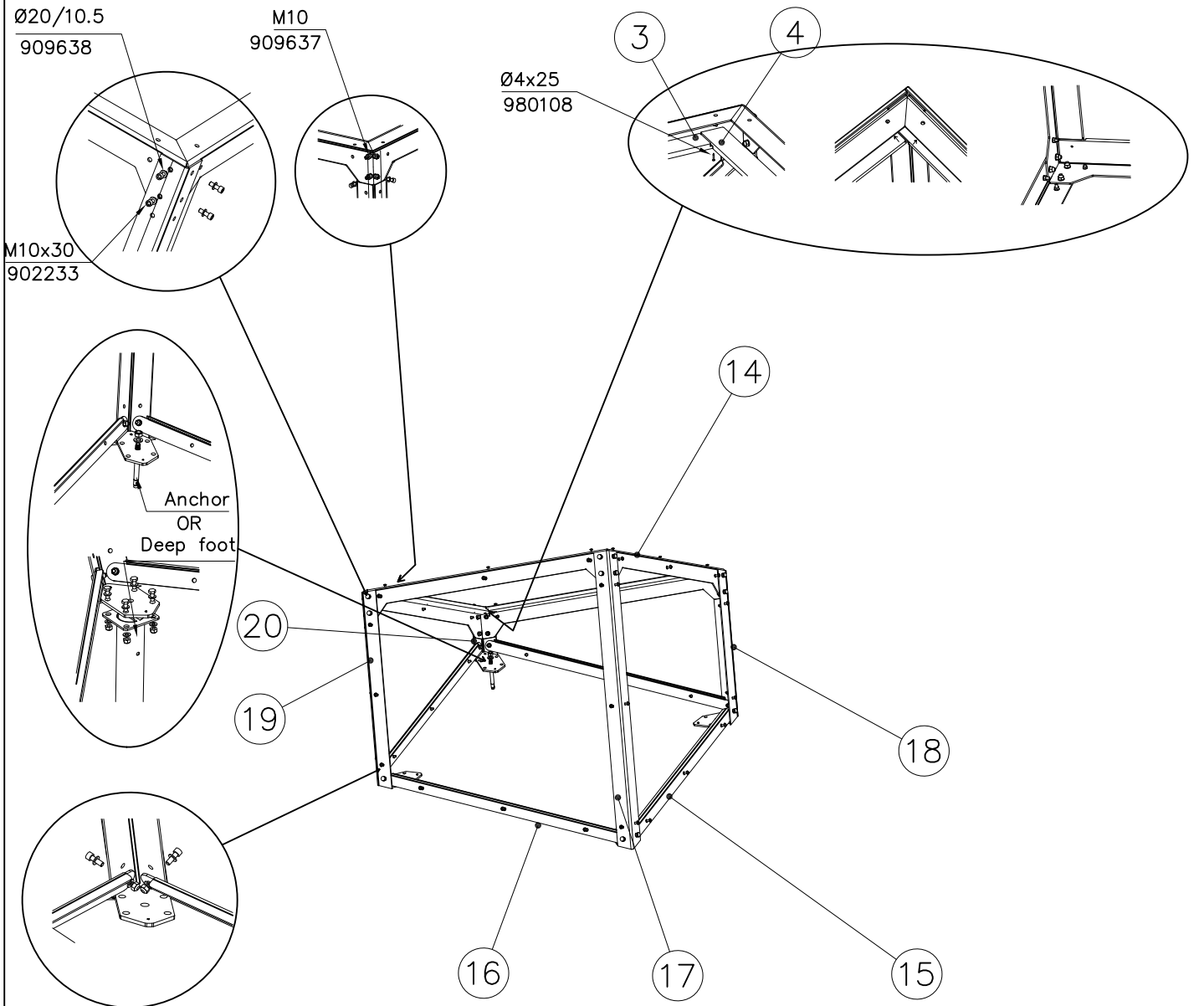
⑮ 910768 30x60x1349	PCS 2	⑯ 910769 30x60x1504	PCS 2	⑰ 910789 L 1528	PCS 1	⑱ 910790 L 796	PCS 1	⑲ 910791 L 1016	PCS 1	⑳ 910792 L 254	PCS 1
----------------------------	----------	----------------------------	----------	------------------------	----------	-----------------------	----------	------------------------	----------	-----------------------	----------

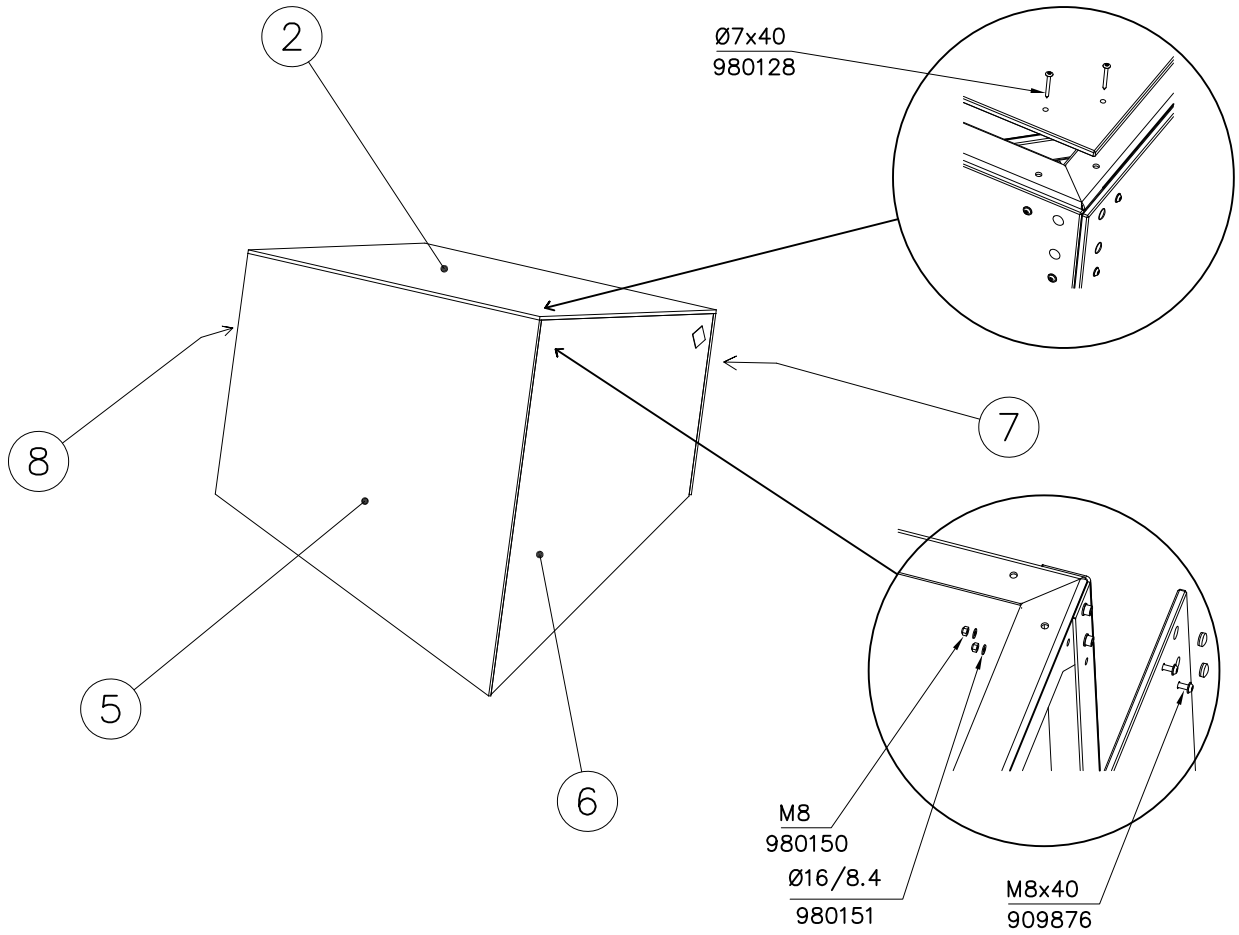
②1	980108	PCS	②2	980128	PCS	②3	980150	PCS	②4	980151	PCS
		4			12			48			48
	Ø4x25			Ø7x40			M8			Ø16/8.4	

FOOT OPTION

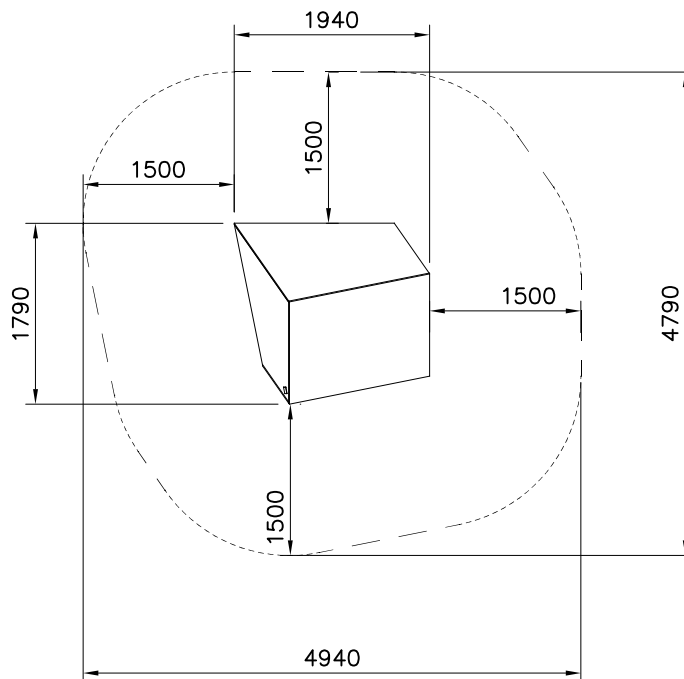
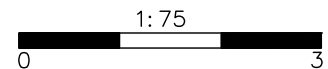
709387+

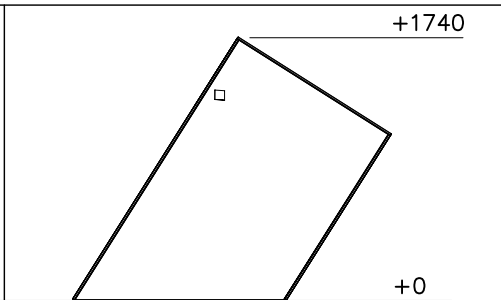
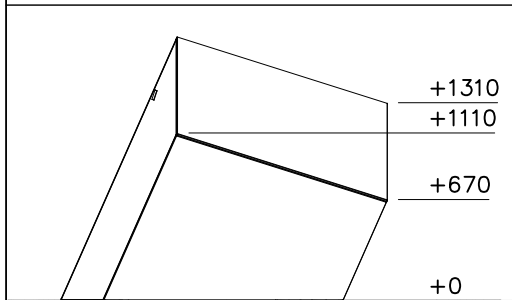
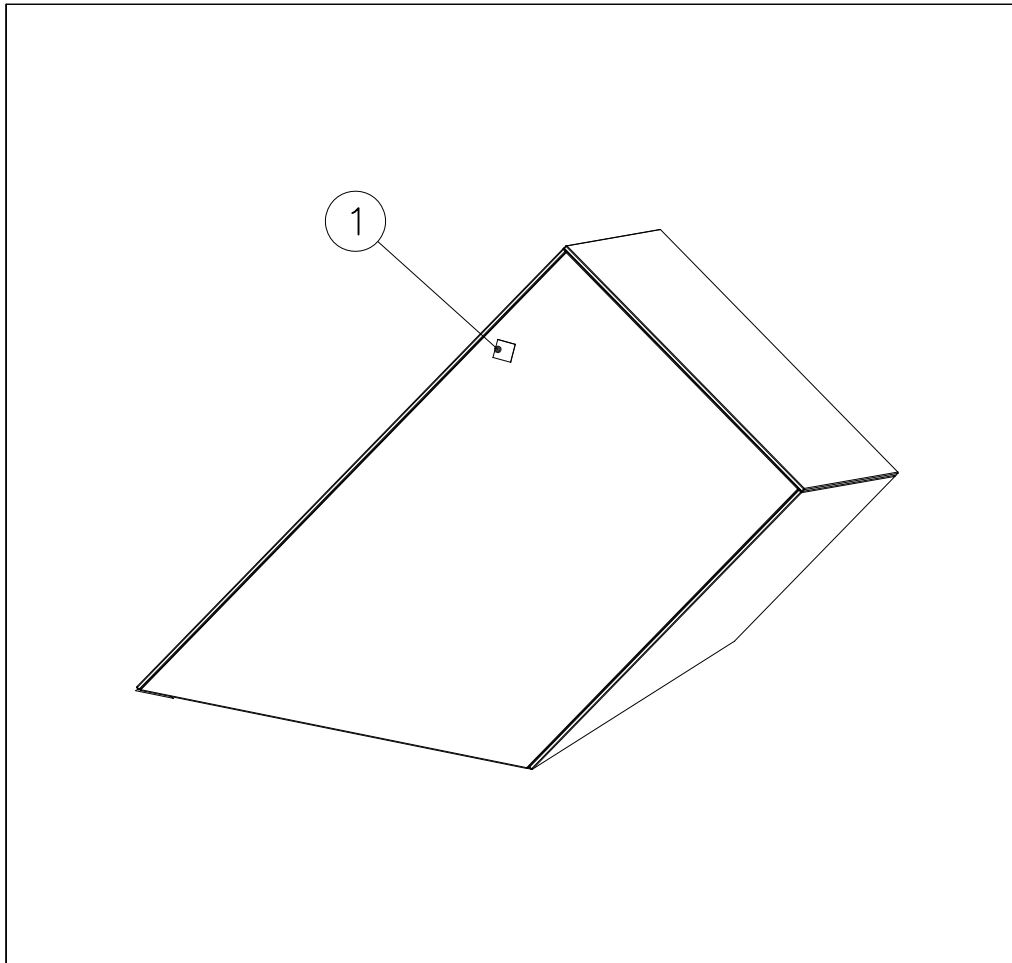
○	709386	PCS	○	910567	PCS
	SURFACE	1		CONCRETE	4
					
	M16x170			117x117x715	

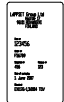
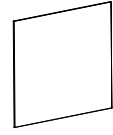
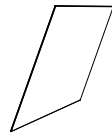
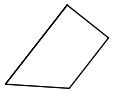

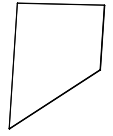


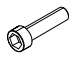

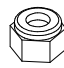


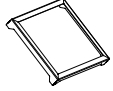
















----- Falling Space 19.7 m²
Max Falling Height 1250 mm

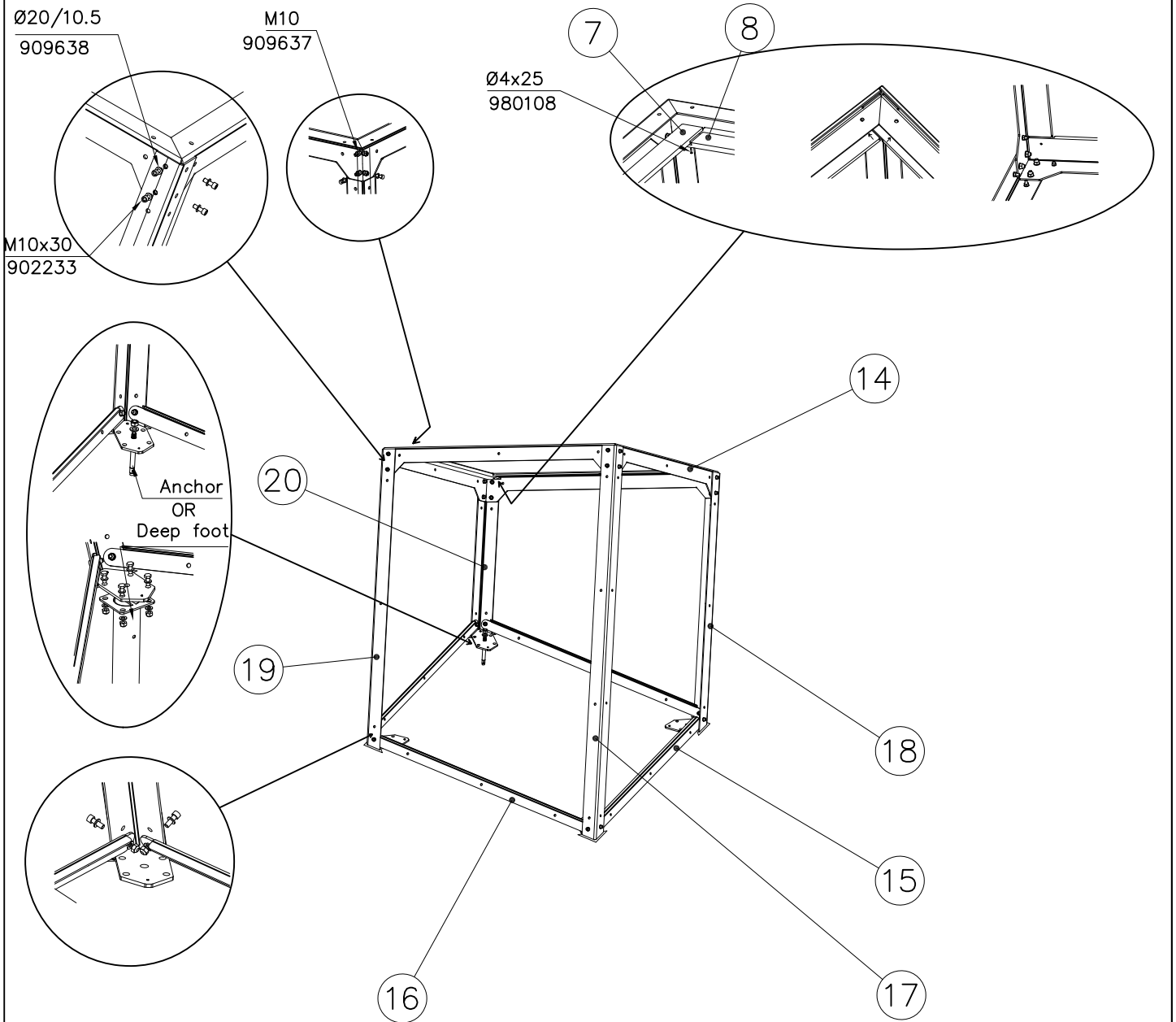


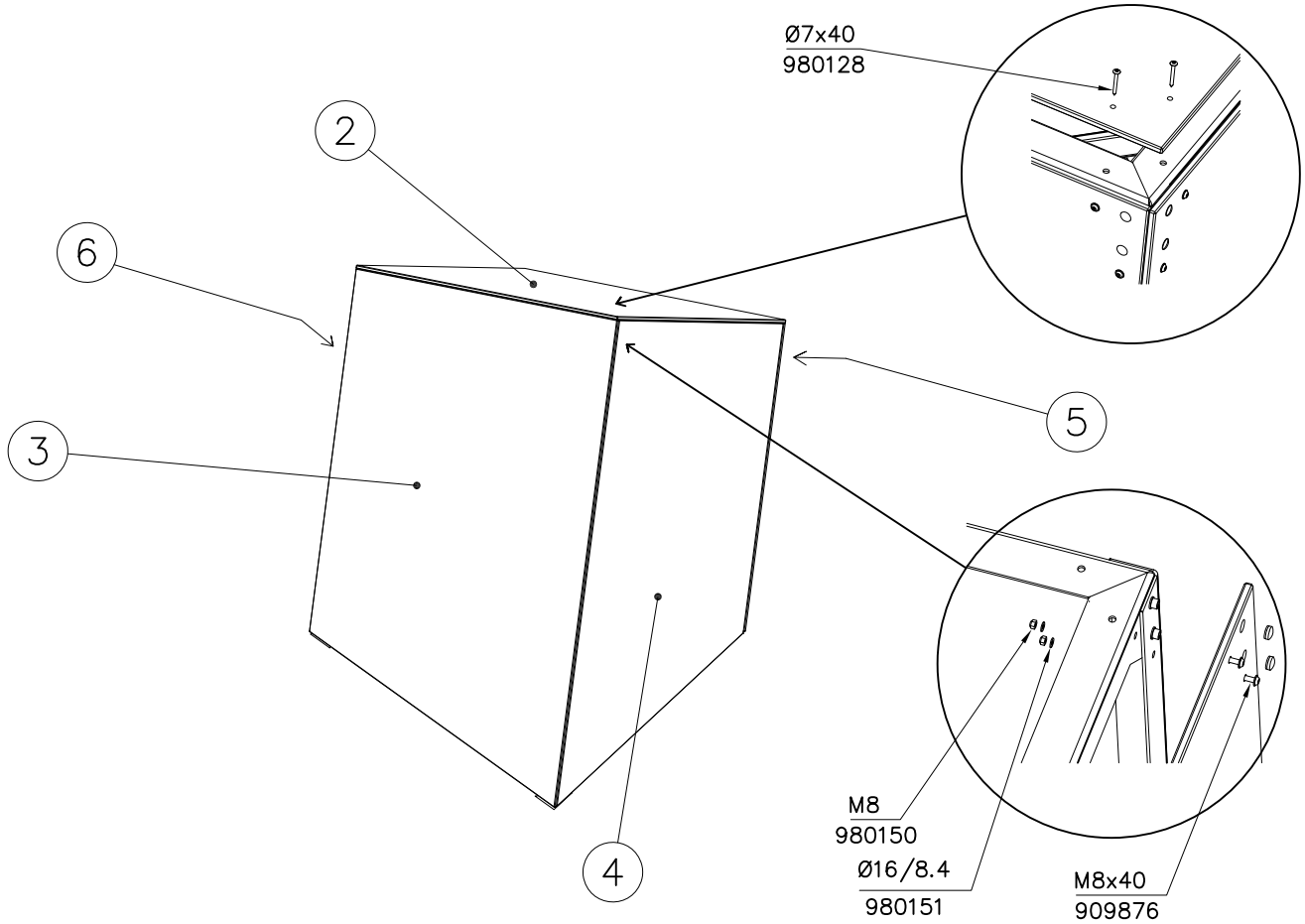


① 702341  90x50	PCS 1	② 709159  15x1200x1486	PCS 1
③ 709160  15x1486x2174	PCS 1	④ 709161  15x1170x2170	PCS 1
⑤ 709162  15x1376x1486	PCS 1	⑥ 709163  15x1170x1620	PCS 1
⑦ 709164  18x80x1135	PCS 2	⑧ 709165  18x80x1420	PCS 2
⑨ 902233  M10x30	PCS 24	⑩ 905112  Ø22	PCS 24
⑪ 909637  M10	PCS 24	⑫ 909638  Ø20/10.5	PCS 48
⑬ 909876  M8x40	PCS 48	⑭ 910744  154x1160x1445	PCS 1

⑮ 910768  30x60x1349	PCS 2	⑯ 910769  30x60x1504	PCS 2	⑰ 910793  L 2158	PCS 1	⑱ 910794  L 1425	PCS 1	⑲ 910795  L 1646	PCS 1	⑳ 910796  L 884	PCS 1
---	----------	---	----------	---	----------	--	----------	---	----------	--	----------

②①	980108	PCS	②②	980128	PCS	②③	980150	PCS	②④	980151	PCS	FOOT OPTION					
		4			12			48			48	709387+					
	Ø4x25			Ø7x40			M8			Ø16/8.4		○	709386	PCS	○	910567	PCS
													SURFACE	1		CONCRETE	4
																	
													M16x170		117x117x715		

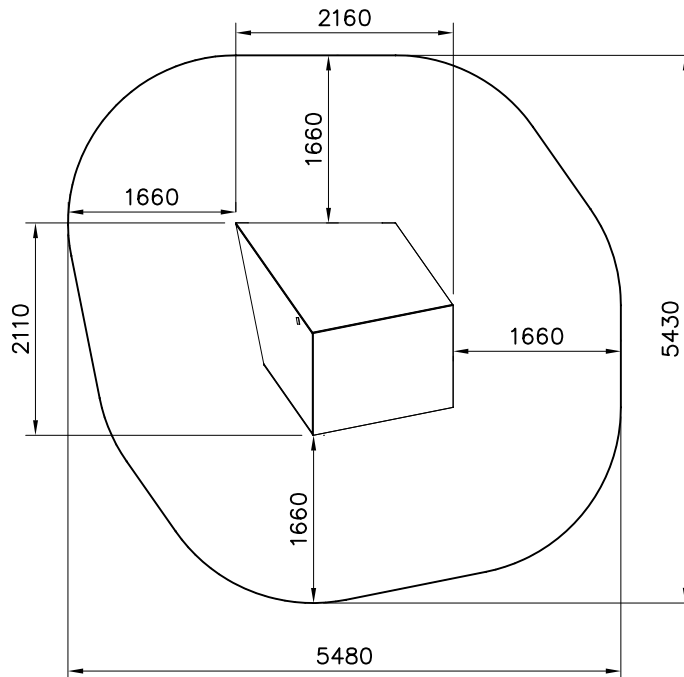
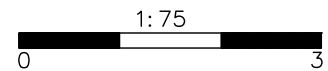


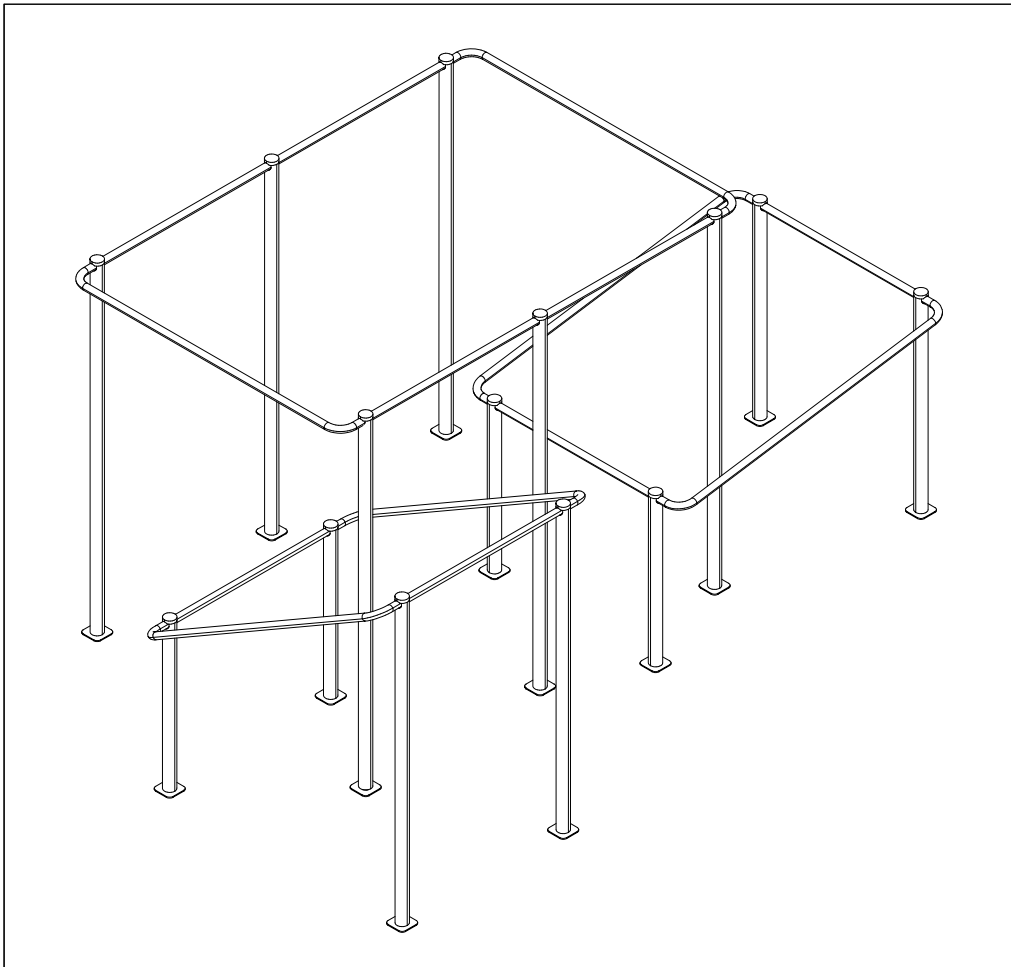


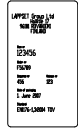



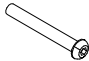


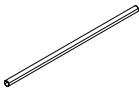
—— EN Impact Attenuating Surface (IAS) 24.4 m²

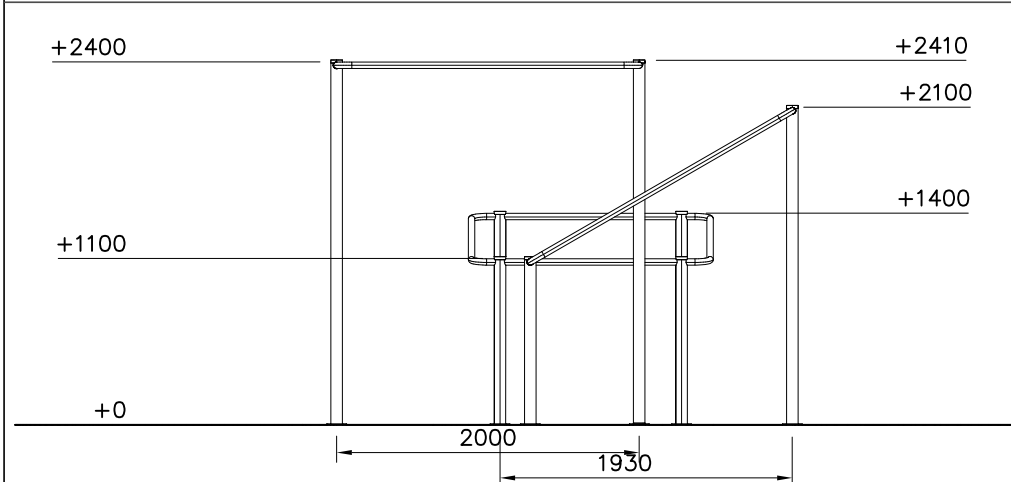
---- Falling Space 24.4 m²





Max Falling Height 1740 mm

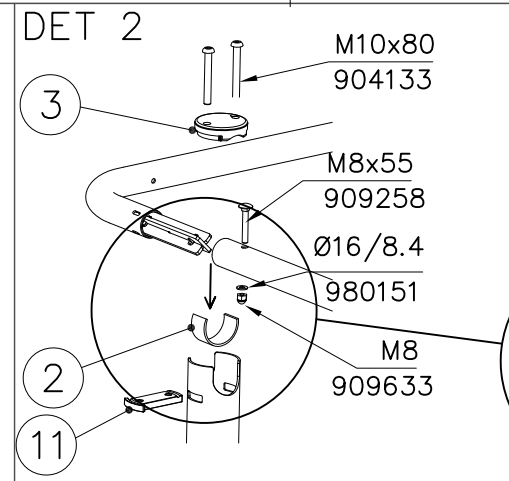
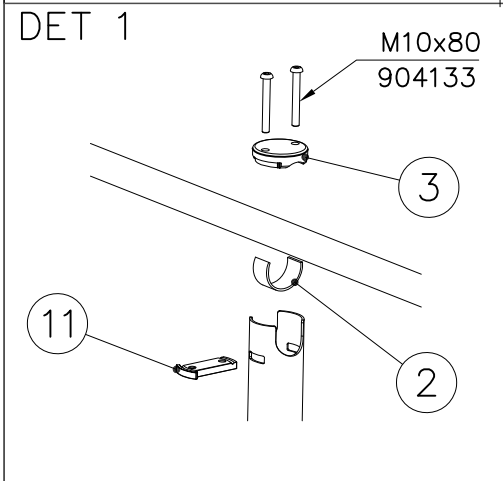


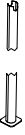




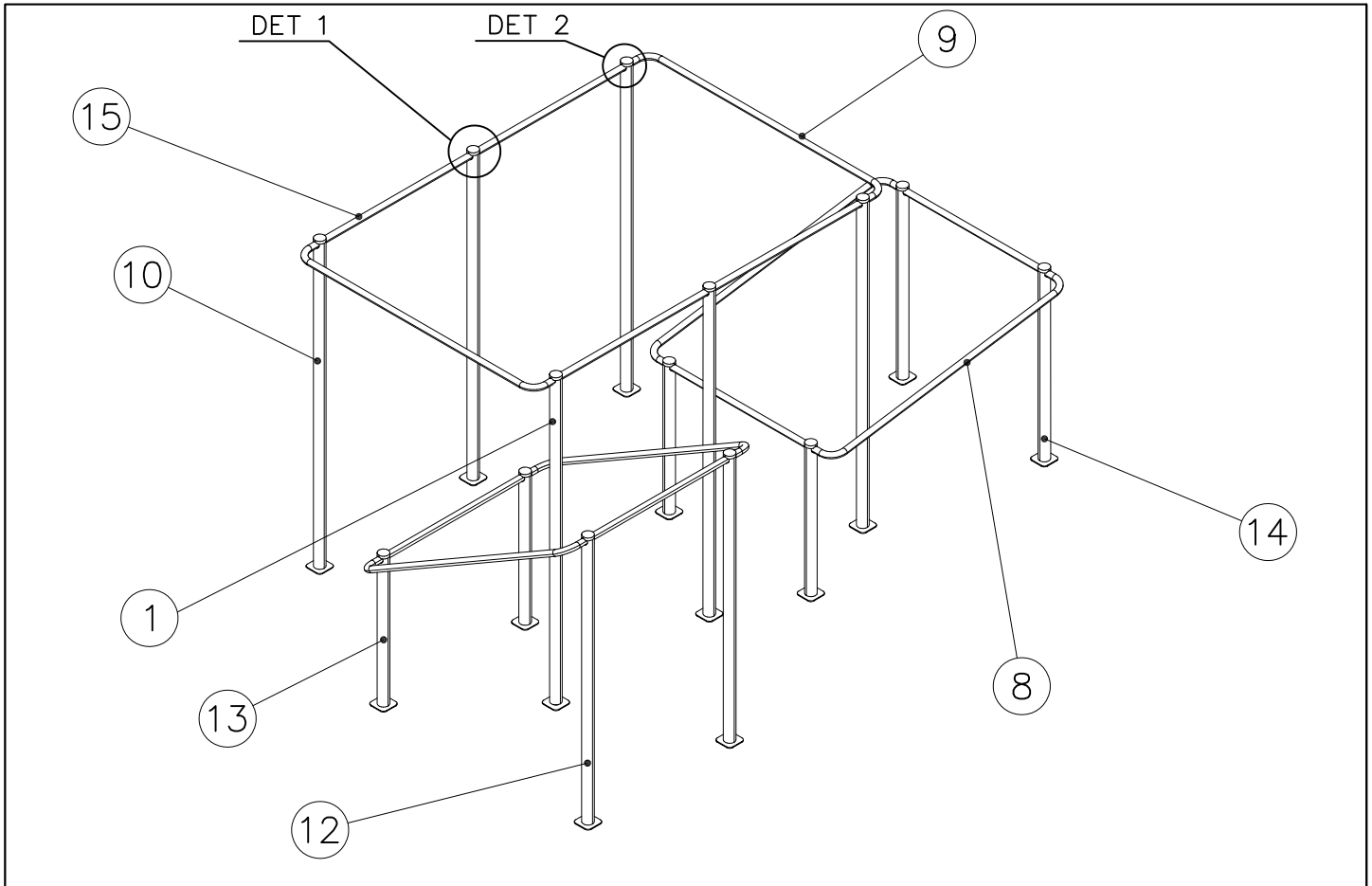
① 702341  90x50	PCS 1	② 704879  3x30x120mm	PCS 14
③ 708880  Ø77x20	PCS 14	④ 980151  Ø16/8.4	PCS 12
⑤ 904133  M10x80	PCS 28	⑥ 909258  M8x55	PCS 12
⑦ 909633  M8	PCS 12	⑧ 910547  Ø42.4x1200	PCS 4



⑨ 910549  Ø42.4x286x2042	PCS 6	⑩ 910556  L 2400	PCS 6
⑪ 910557  10x45x87	PCS 14	⑫ 910563  L 2100	PCS 2



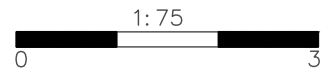
⑬ 910564  L 1100	PCS 4	⑭ 910565  L 1400	PCS 2
⑮ 910704  Ø42.4x2600	PCS 2		



— EN Impact Attenuating Surface (IAS) 48.8 m²

- - - Falling Space 48.8 m²

Max Falling Height 2410 mm

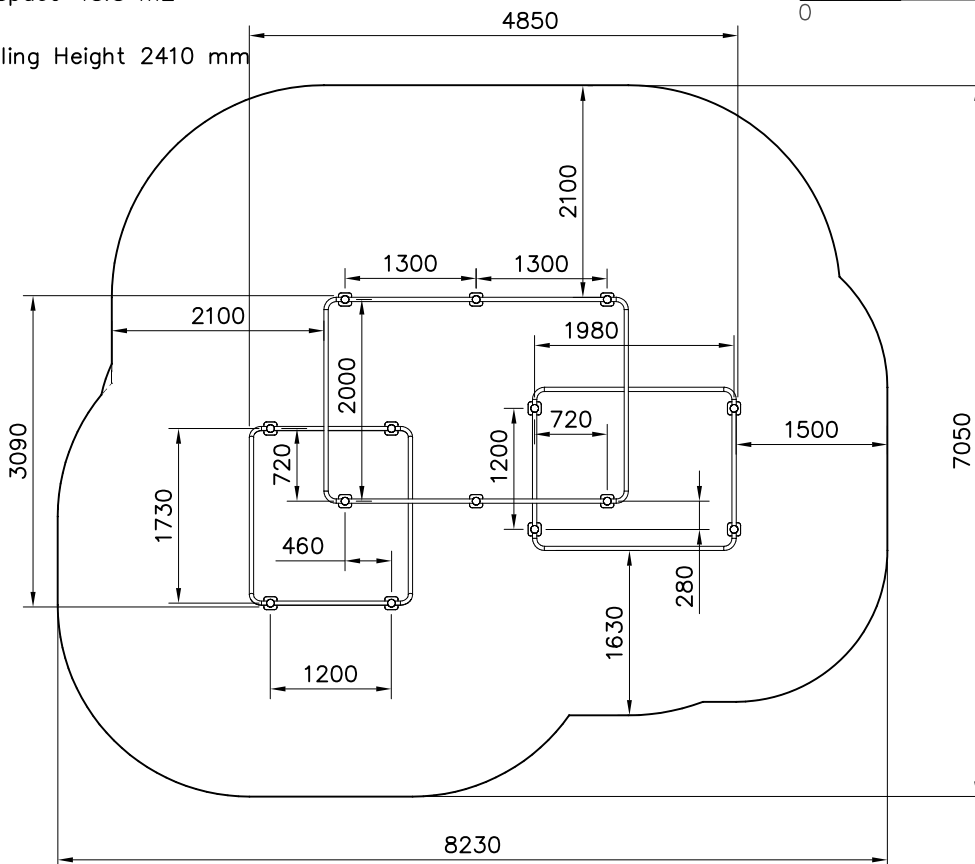


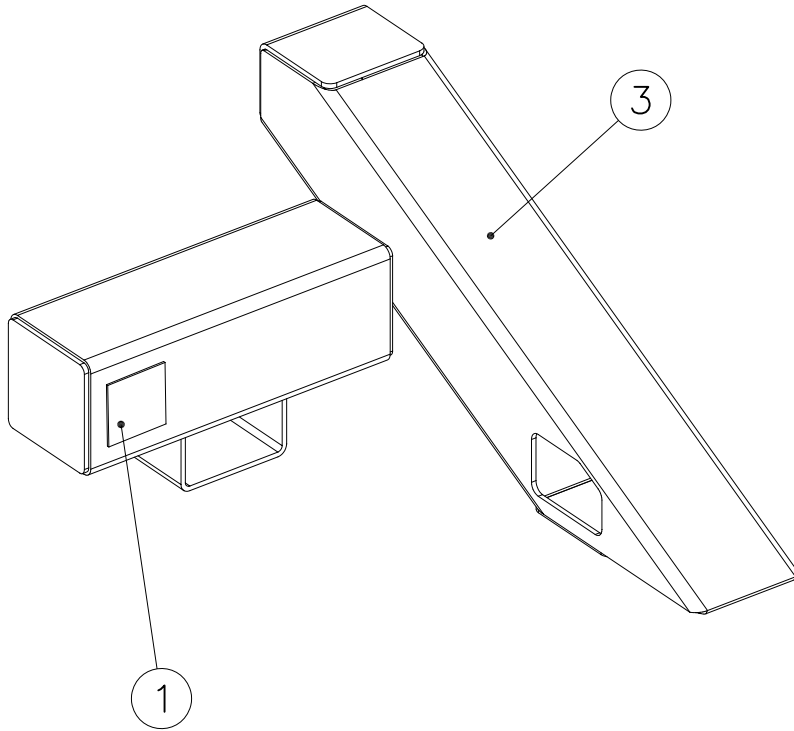
INSTALLING FOR SURFACE MOUNTING

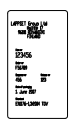

	709396	PCS
		14

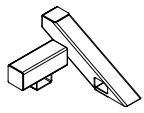
FOOT OPTION FOR DEEP MOUNTING

	709397+	PCS
	910562	14
	L 600	




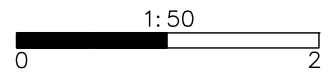


① 702341	PCS	② 709381	PCS
	1		2
90x50		SURFACE	

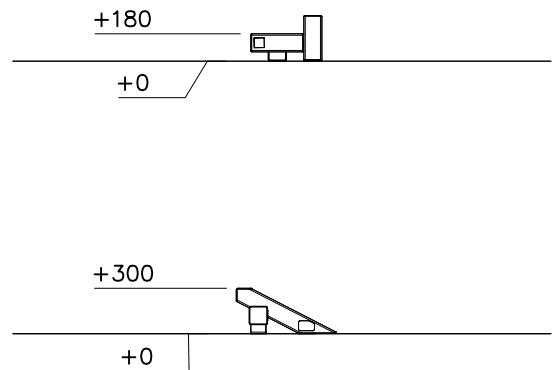
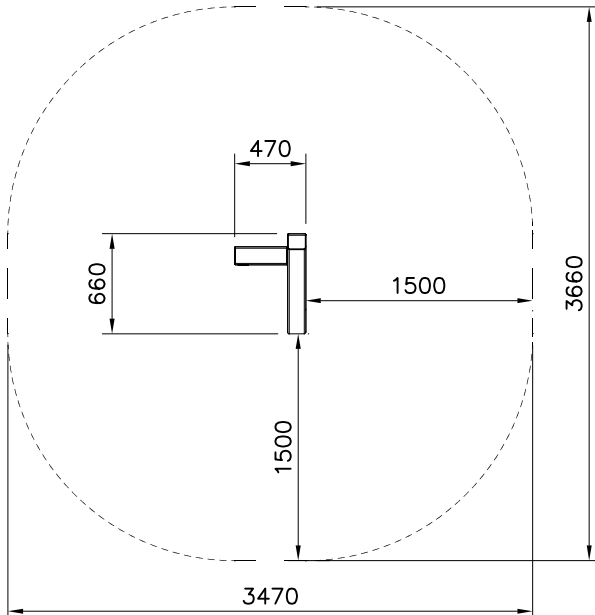
③ 910220	PCS
	1
300x470x662	

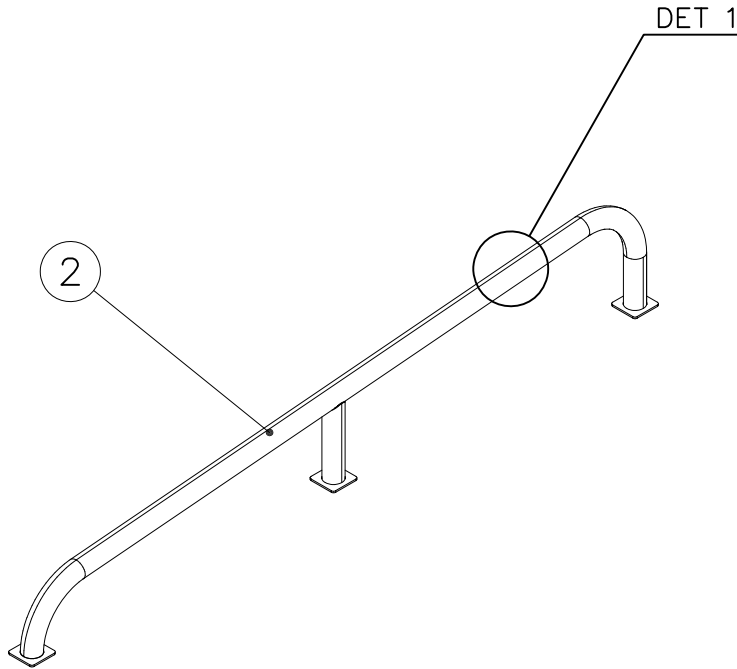
FOOT OPTION FOR DEEP MOUNTING


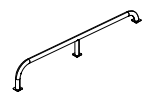
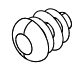
709379+	
○ 902564	PCS
	2
L 550	



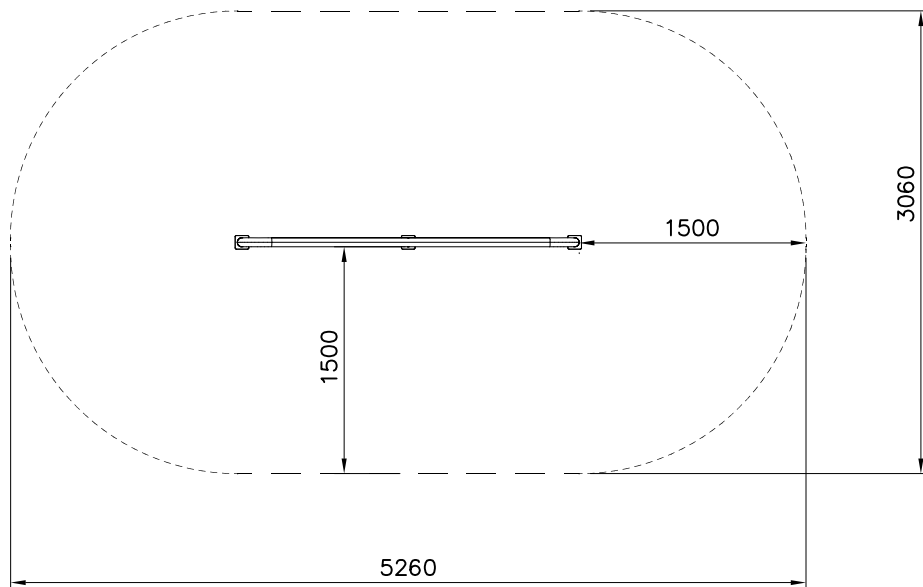
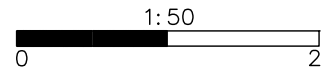
----- Falling Space 10.8 m²
 Max Falling Height 300 mm

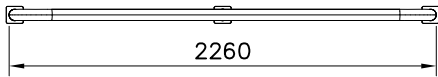
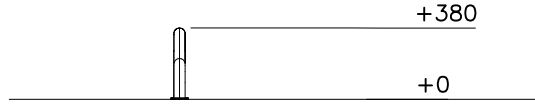
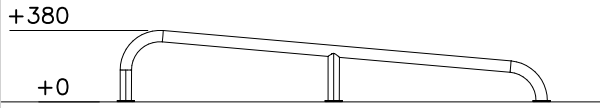




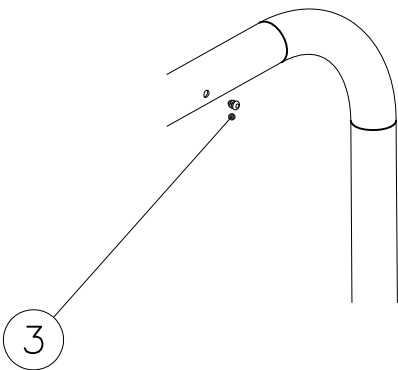
① 702341  90x50	PCS	② 910253  Ø60x376x2290	PCS
	1		1
③ 903533  SRL12	PCS		PCS
	4		

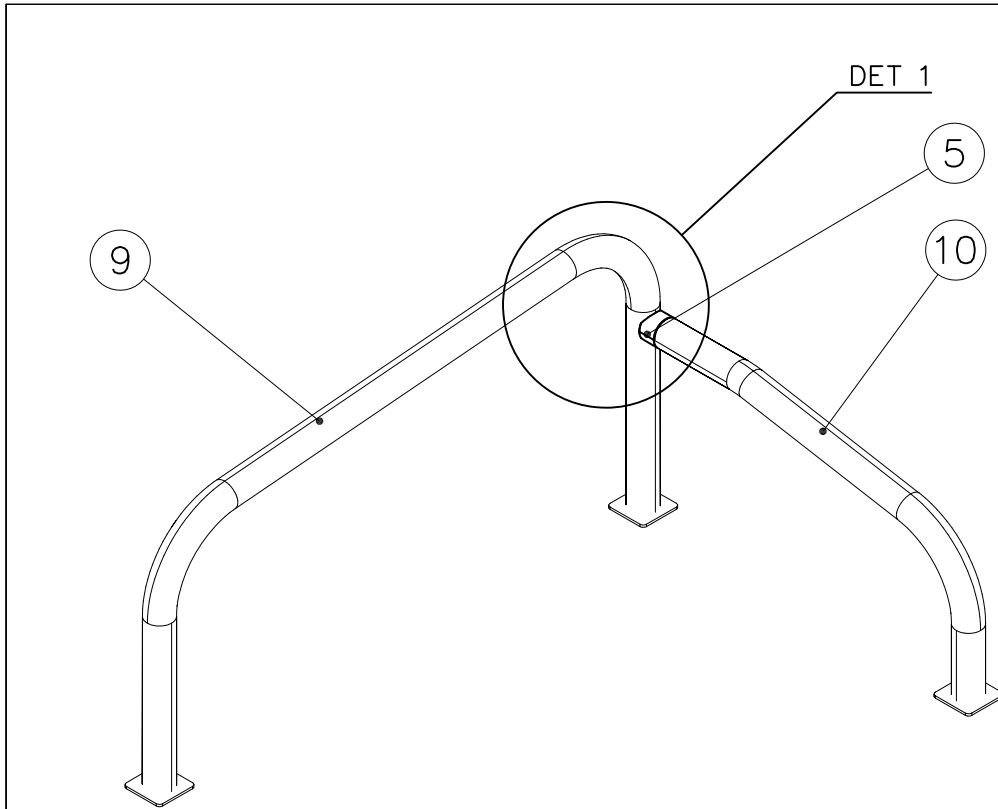
----- Falling Space 14.2 m²
 Max Falling Height 380 mm



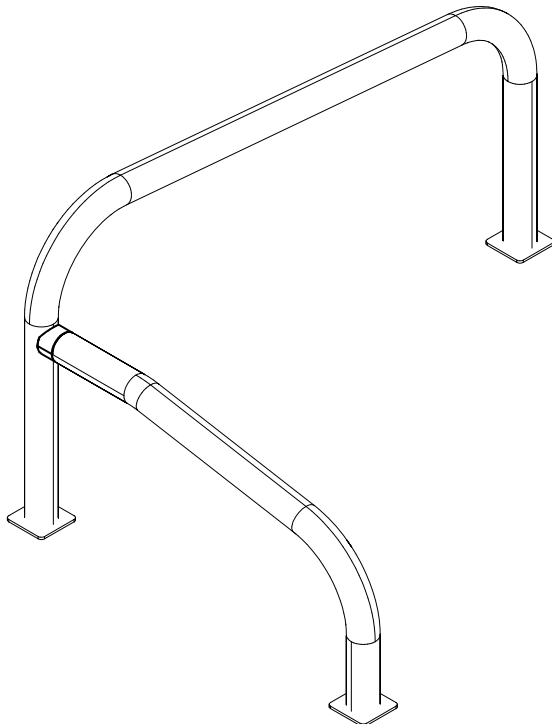


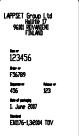

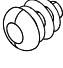
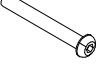
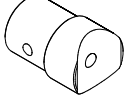
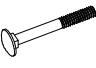



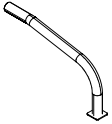

DET 1






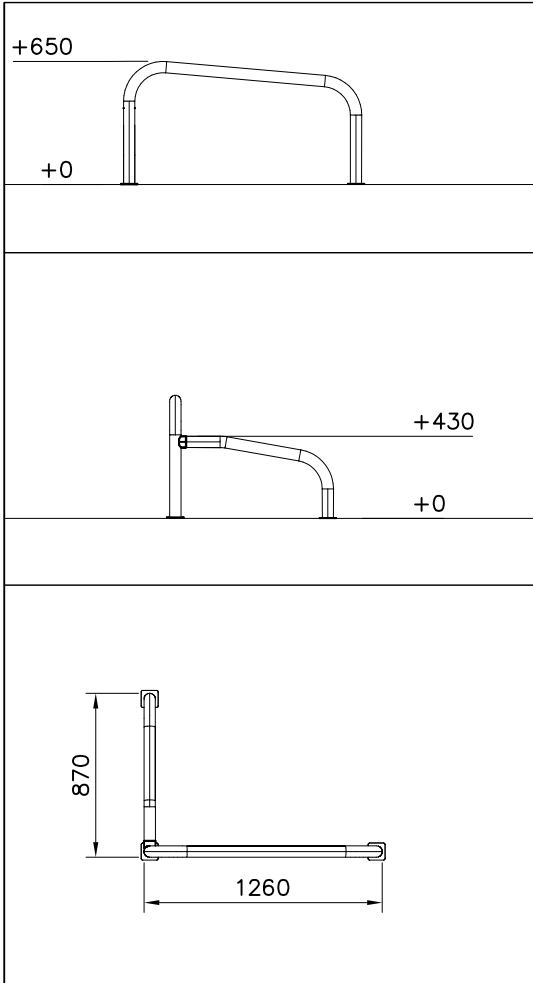
OPTION LEFT-HANDED



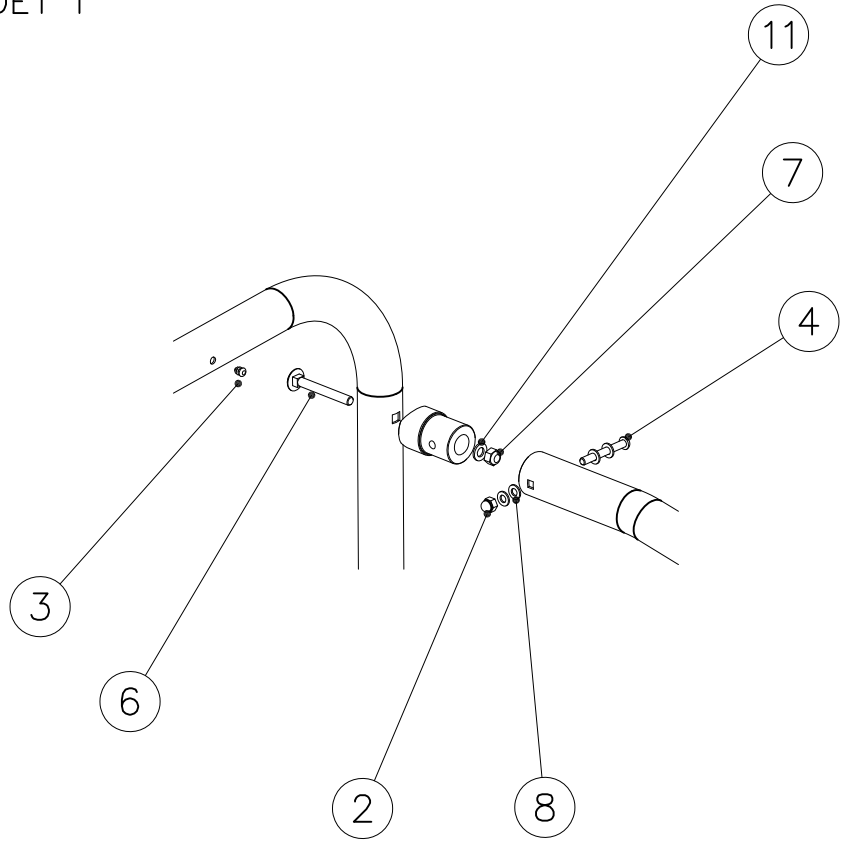
①	702341	PCS	②	900965	PCS
		1			1
	90x50		M10		
③	903533	PCS	④	904133	PCS
		4			1
	SRL12		M10x80		
⑤	908069	PCS	⑥	909111	PCS
		1			1
	Ø60x87.6		M12x100		
⑦	909248	PCS	⑧	909638	PCS
		1			4
	M12		Ø20/10.5		
⑨	910254	PCS	⑩	910262	PCS
		1			1
	Ø60x650x1290		Ø60x435x795		
⑪	980154	PCS			PCS
		1			
	Ø24/13				

FOOT OPTION FOR DEEP MOUNTING

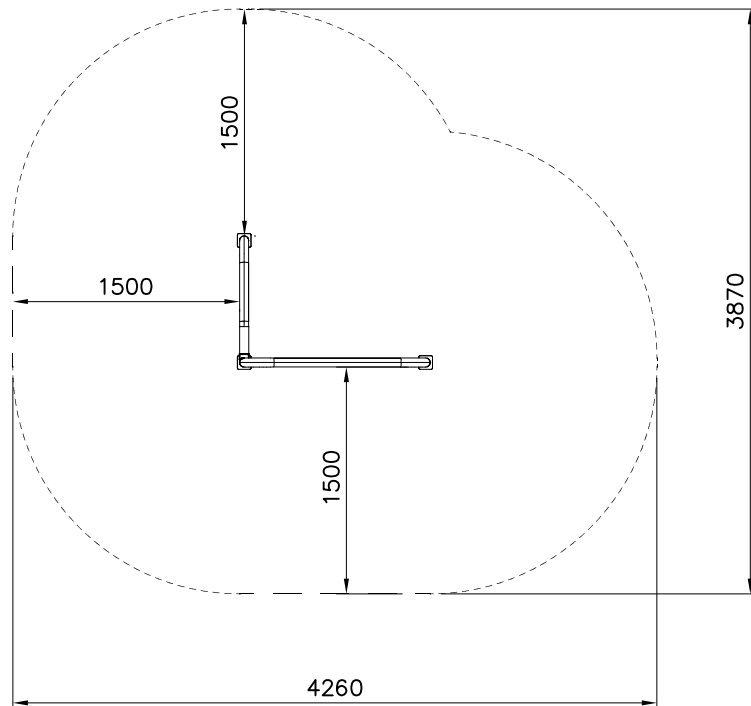
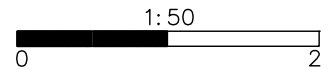
709379+		
○ 902564	PCS	
	3	
L 550		

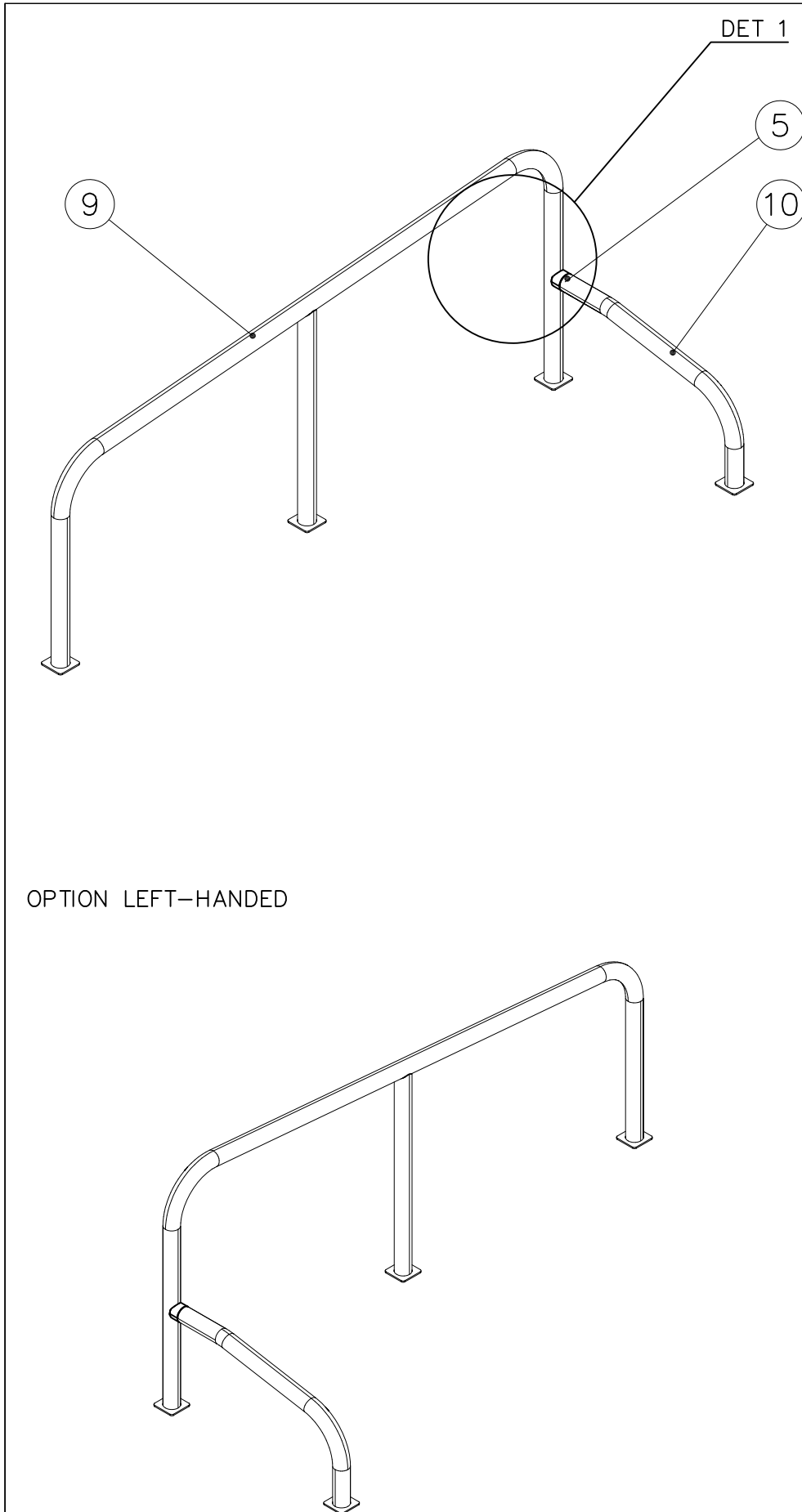


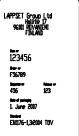


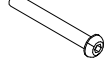
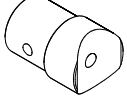
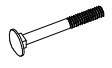


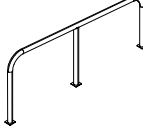
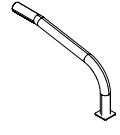

DET 1



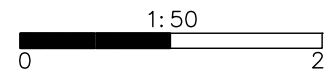
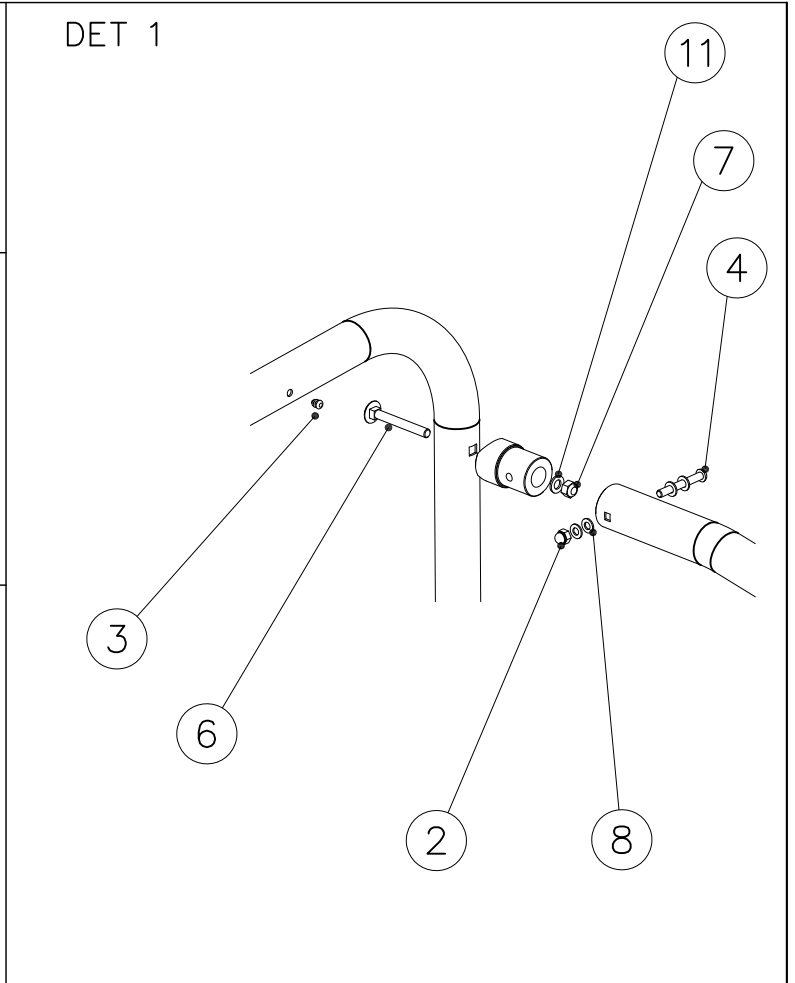
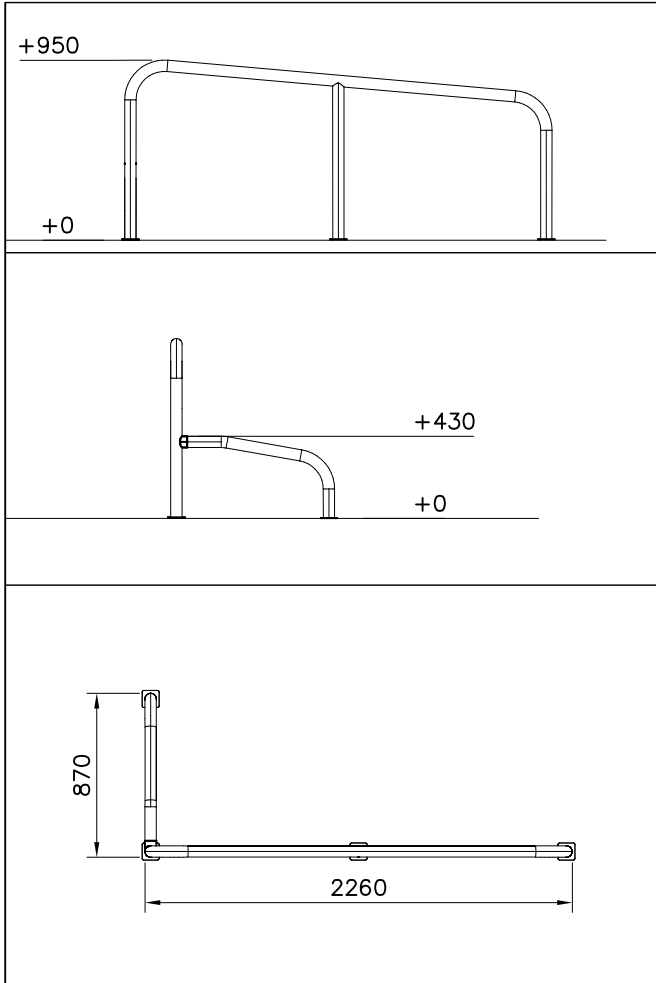
----- Falling Space 13.1 m²
Max Falling Height 650 mm



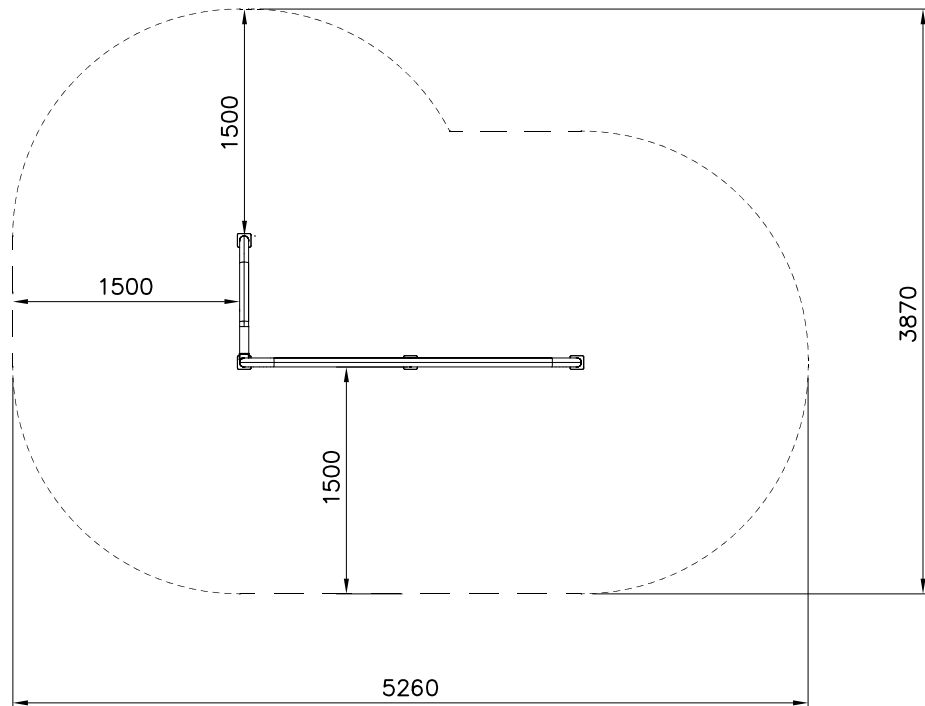


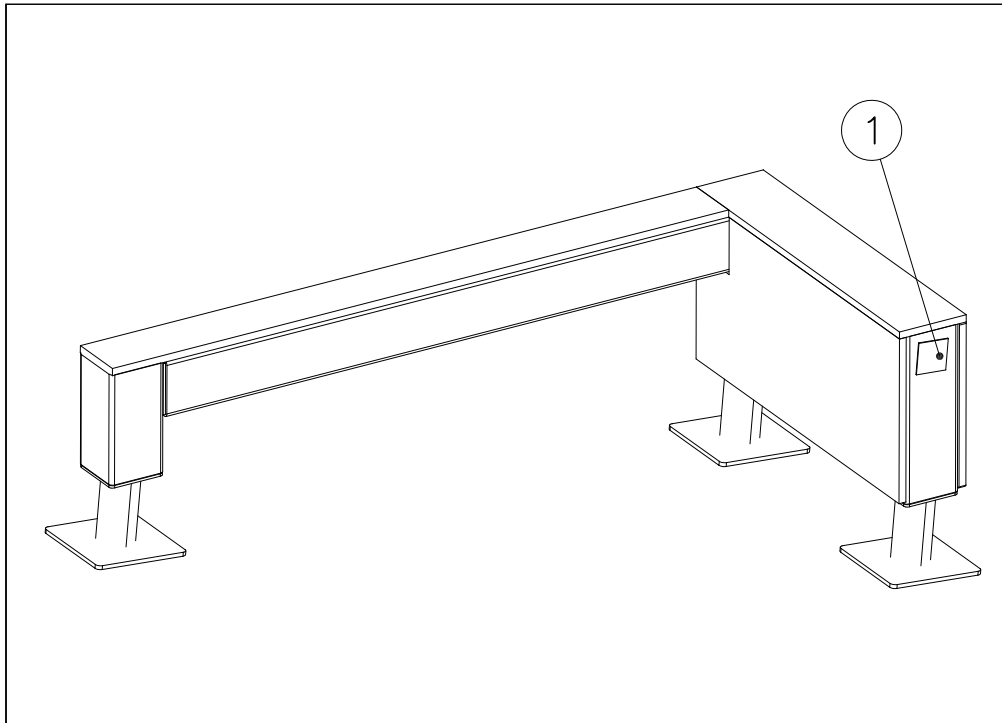
①	702341	PCS	②	900965	PCS
		1			1
	90x50		M10		
③	903533	PCS	④	904133	PCS
		4			1
	SRL12		M10x80		
⑤	908069	PCS	⑥	909111	PCS
		1			1
	Ø60x87.6		M12x100		
⑦	909248	PCS	⑧	909638	PCS
		1			4
	M12		Ø20/10.5		
⑨	910255	PCS	⑩	910262	PCS
		1			1
	Ø60x950x2290		Ø60x435x795		
⑪	980154	PCS			PCS
		1			
	Ø24/13				


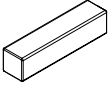
OPTION LEFT-HANDED






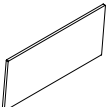
----- Falling Space 16.2 m²
 Max Falling Height 950 mm

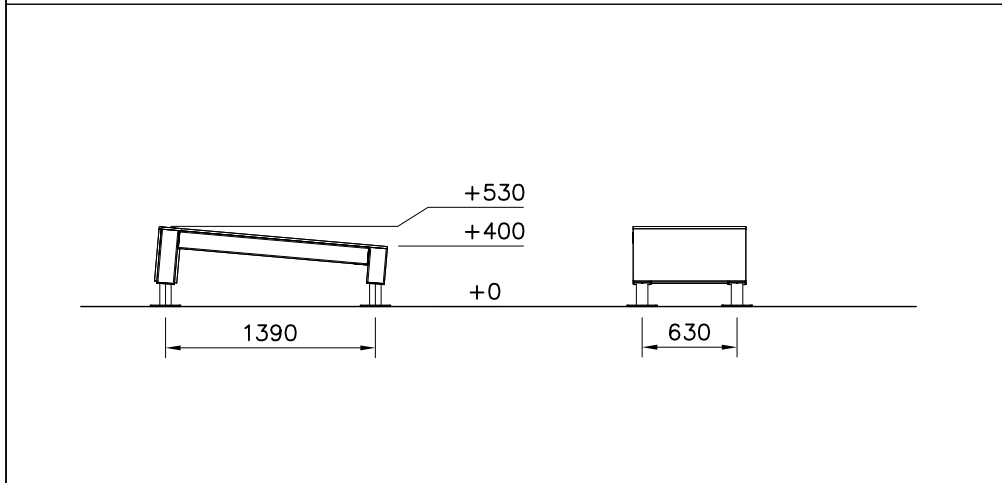


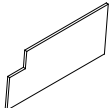




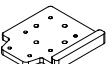
① 702286	PCS	② 707210	PCS
	1		2
65x65		118x118x503	

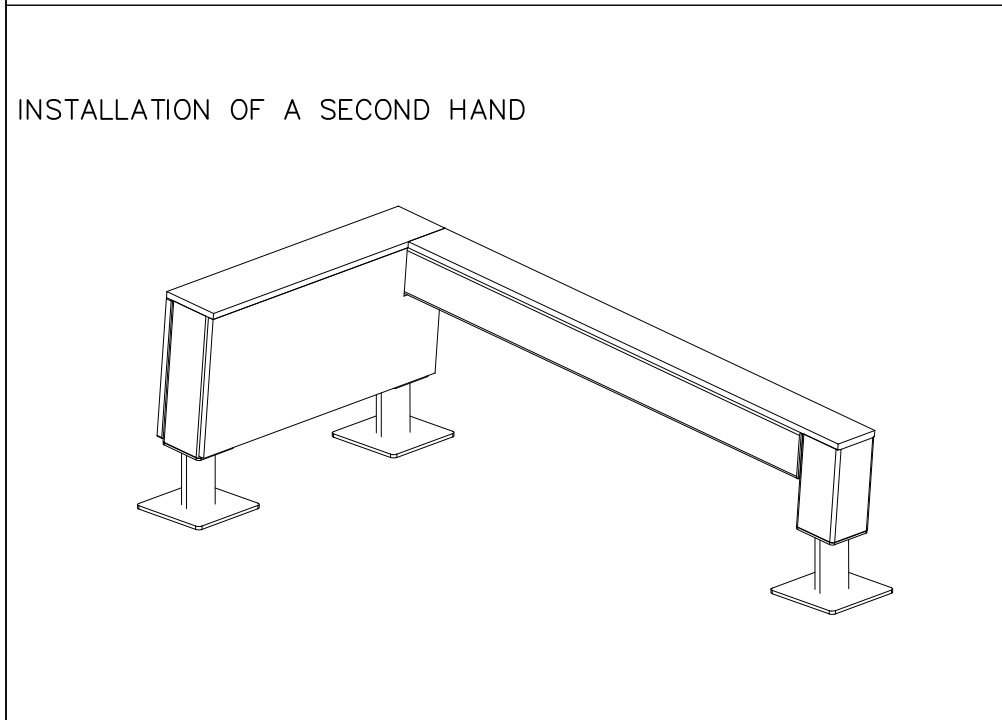
③ 707212	PCS	④ 708347	PCS
	1		1
118x118x1254		118x118x231	

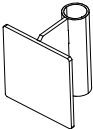

⑤ 708443	PCS	⑥ 708727	PCS
	2		1
118x118x352		15x346x745	






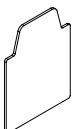
⑦ 708730	PCS	⑧ 708733	PCS
	1		1
15x346x745		15x148x745	




⑨ 708734	PCS	⑩ 708857 JIG	PCS
	1		1
15x118x1365		20x133x149	



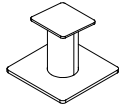
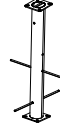
⑪ 910266	PCS	⑫ 900240	PCS
	2		16
90x108x118		Ø8x70	

⑬ 903093	PCS	⑭ 905103	PCS
	4		2
Ø8x90		PT-28/32-H	

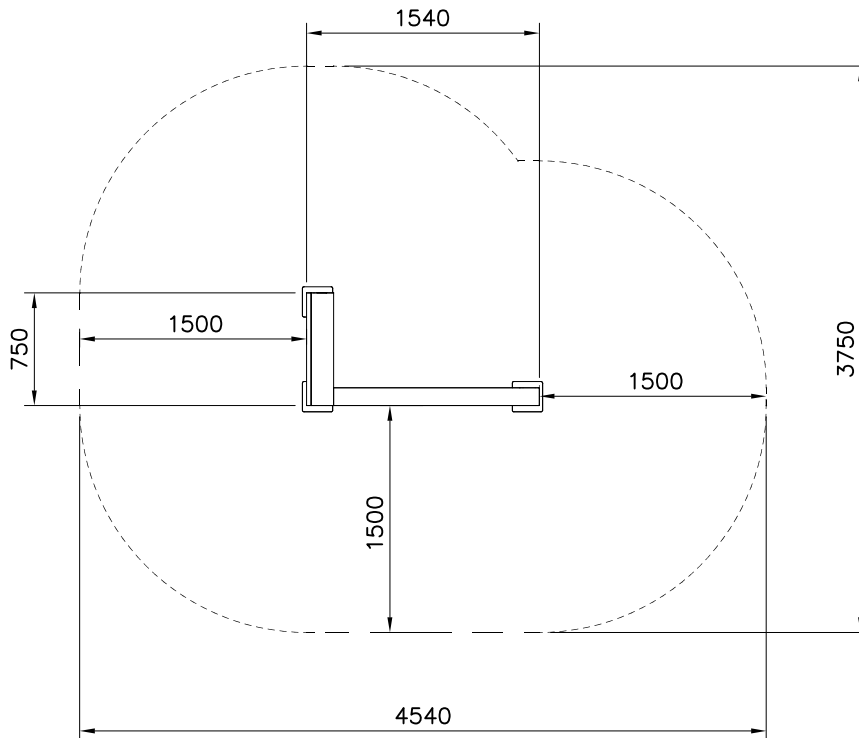
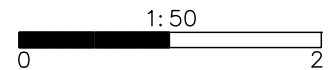
⑮ 905112	PCS	⑯ 908698	PCS
	4		4
Ø22		3x114x108	

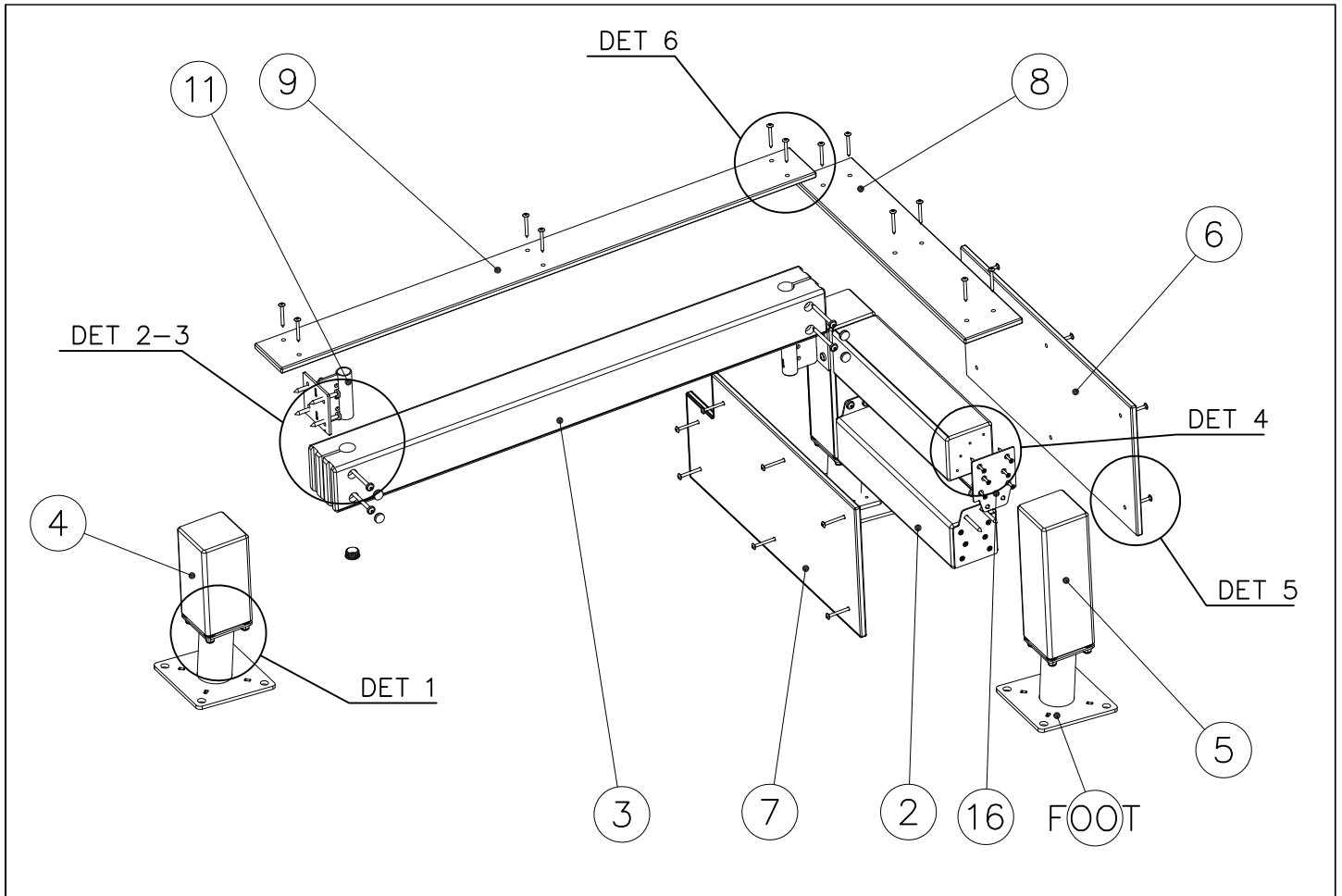
17	980100	PCS	18	980114	PCS	19	980123	PCS
		28			4			25
								
	Ø5x60			Ø4x20			Ø7x60	

FOOT OPTIONS

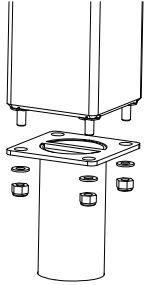
709261+		709262+	
○ 910267	PCS	○ 910567	PCS
SURFACE	3	CONCRETE	3
			
152x200x200		117x117x715	

----- Falling Space 13.8 m²
Max Falling Height 530 mm

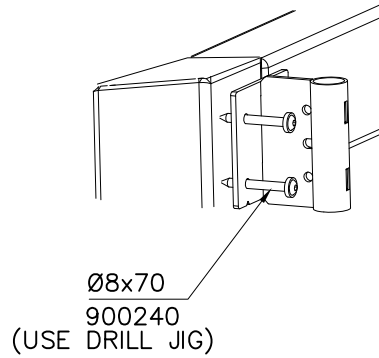




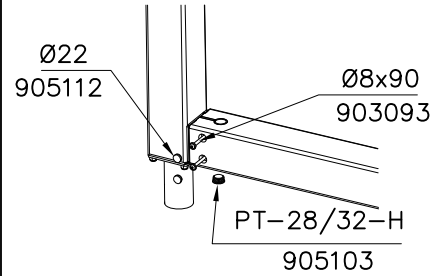
DET 1



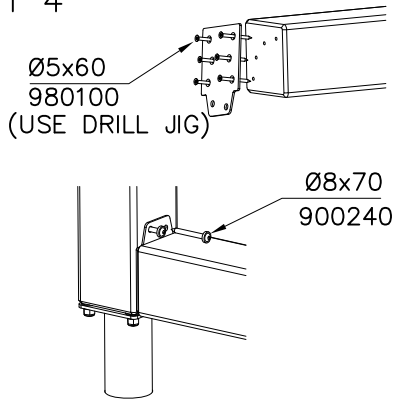
DET 2



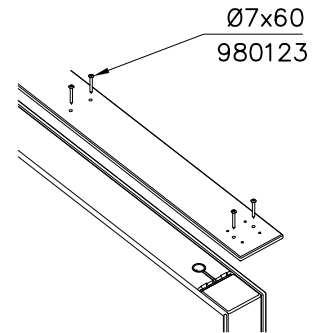
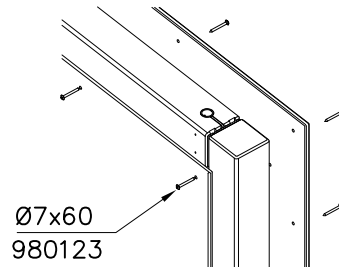
DET 3



DET 4

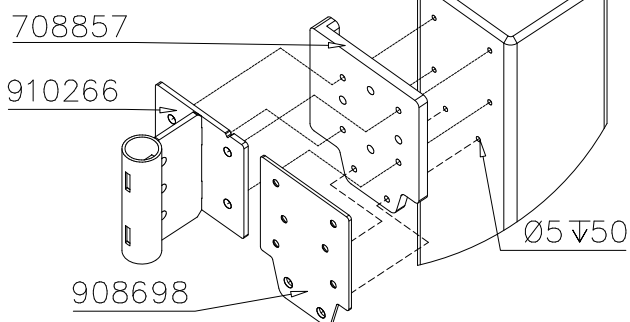


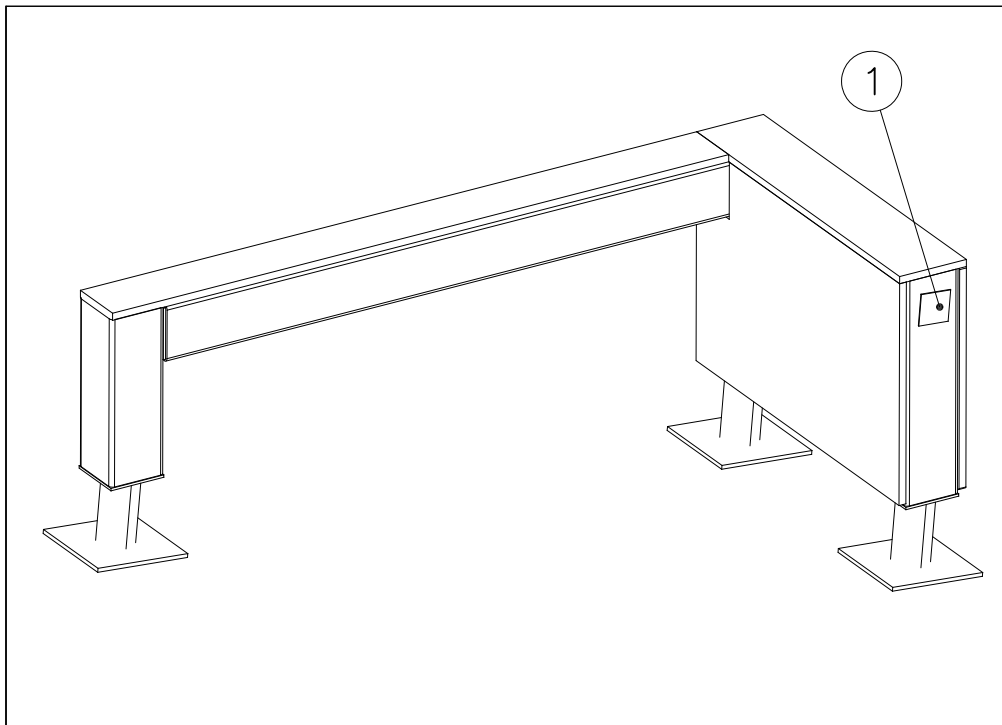
DET 5

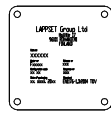
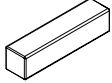



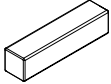
JIG DET A (USE DET 2-4)

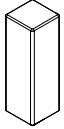
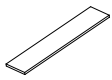
NOTE:
Use drill jig 708857
to predrill $\text{Ø}5\sqrt{50}$
holes for 910266
and 908698

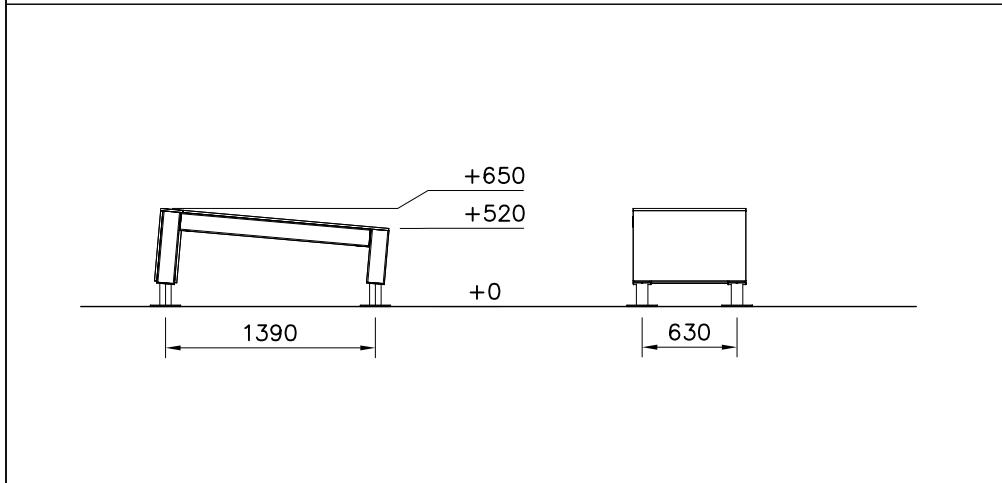



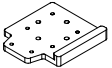


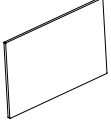

① 702286	PCS	② 707210	PCS
	1		2
65x65		118x118x503	

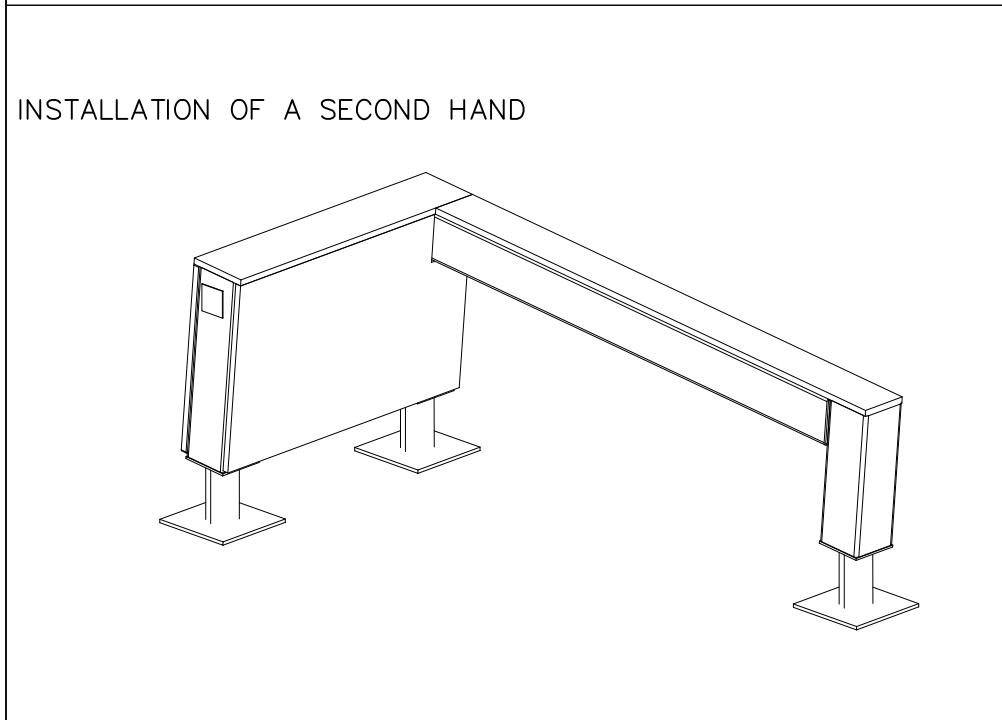
③ 707212	PCS	④ 707889	PCS
	1		2
118x118x1254		118x118x472	



⑤ 708443	PCS	⑥ 708733	PCS
	1		1
118x118x352		15x148x745	


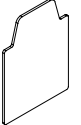


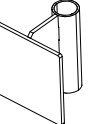
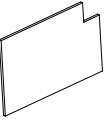
⑦ 708734	PCS	⑧ 708857 JIG	PCS
	1		1
15x118x1365		20x133x149	




⑨ 708731	PCS	⑩ 900240	PCS
	1		16
15x466x745		Ø8x70	



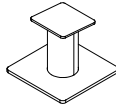
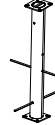
⑪ 903093	PCS	⑫ 905103	PCS
	4		2
Ø8x90		PT-28/32-H	

⑬ 905112	PCS	⑭ 908698	PCS
	4		4
Ø22		3x114x108	

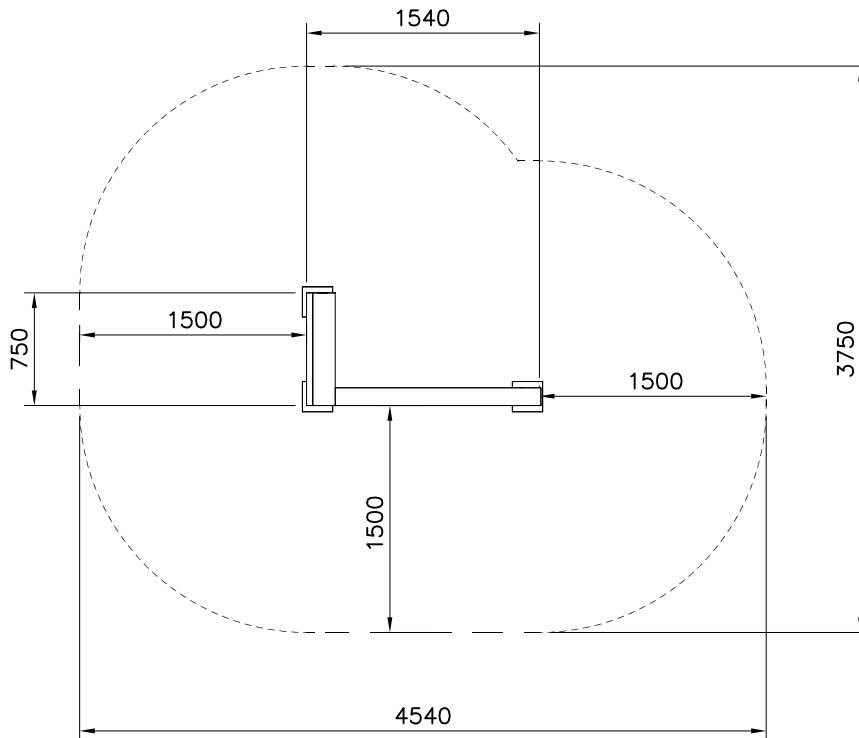
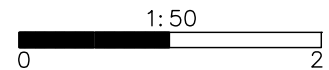
⑮ 910266	PCS	⑯ 708732	PCS
	2		1
90x108x118		15x466x745	

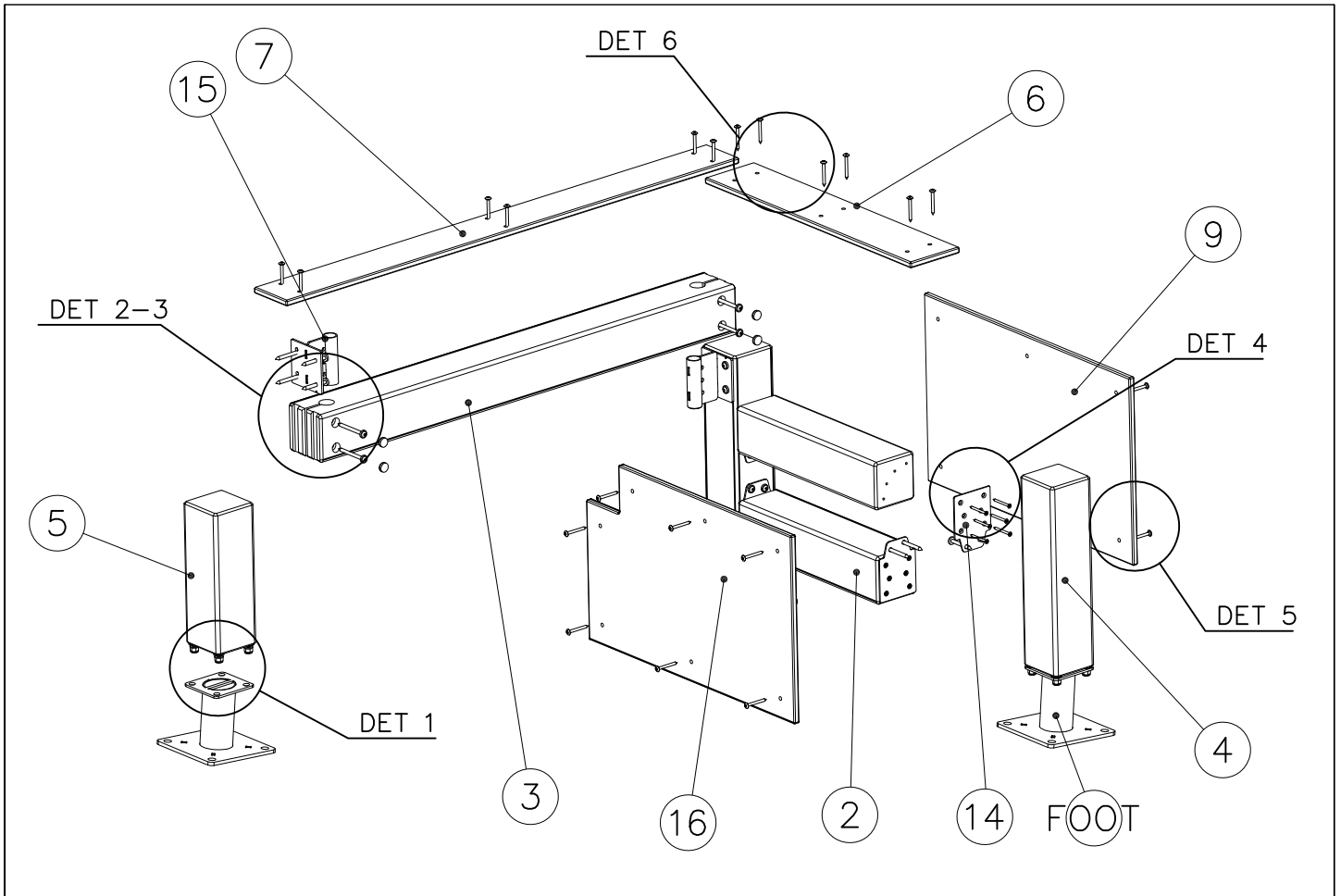
17	980100	PCS	18	980114	PCS	19	980123	PCS
		28			4			25
								
Ø5x60			Ø4x20			Ø7x60		

FOOT OPTIONS

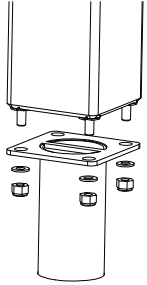
709261+		709262+	
○ 910267	PCS	○ 910567	PCS
SURFACE	3	CONCRETE	3
			
152x200x200		117x117x715	

----- Falling Space 13.8 m²
Max Falling Height 650 mm

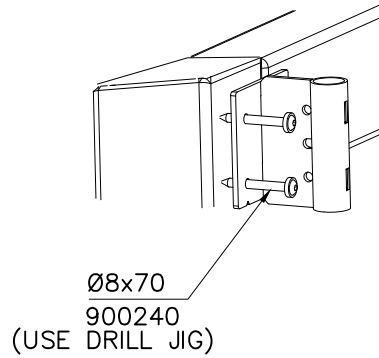




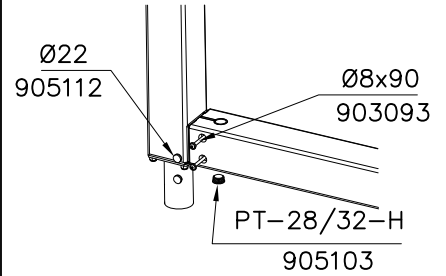
DET 1



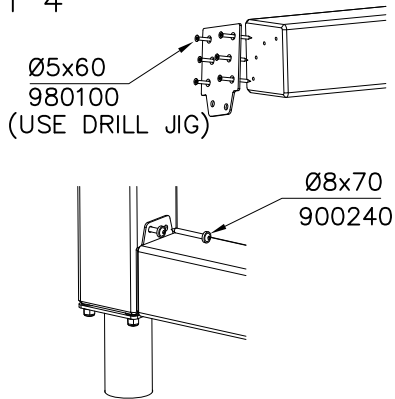
DET 2



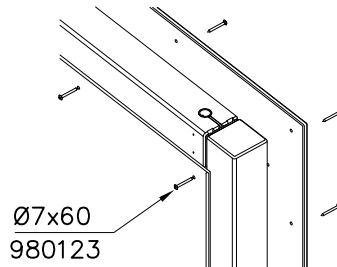
DET 3



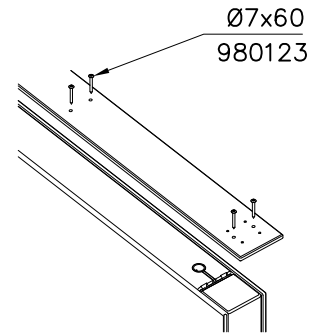
DET 4



DET 5

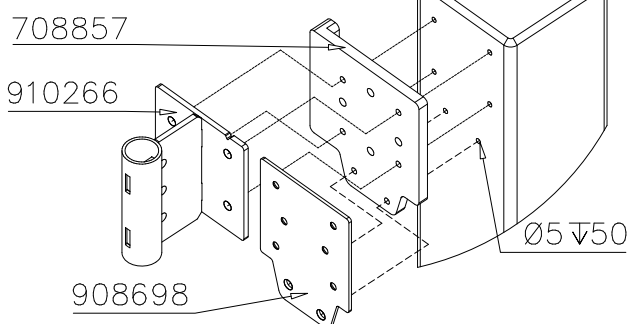


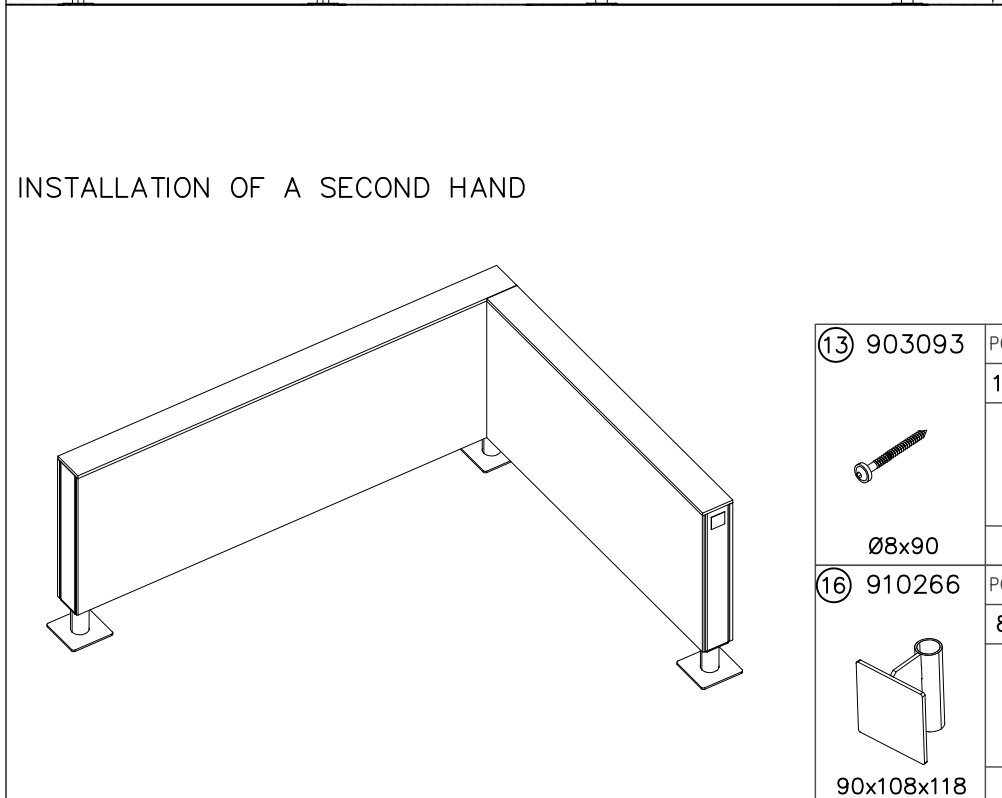
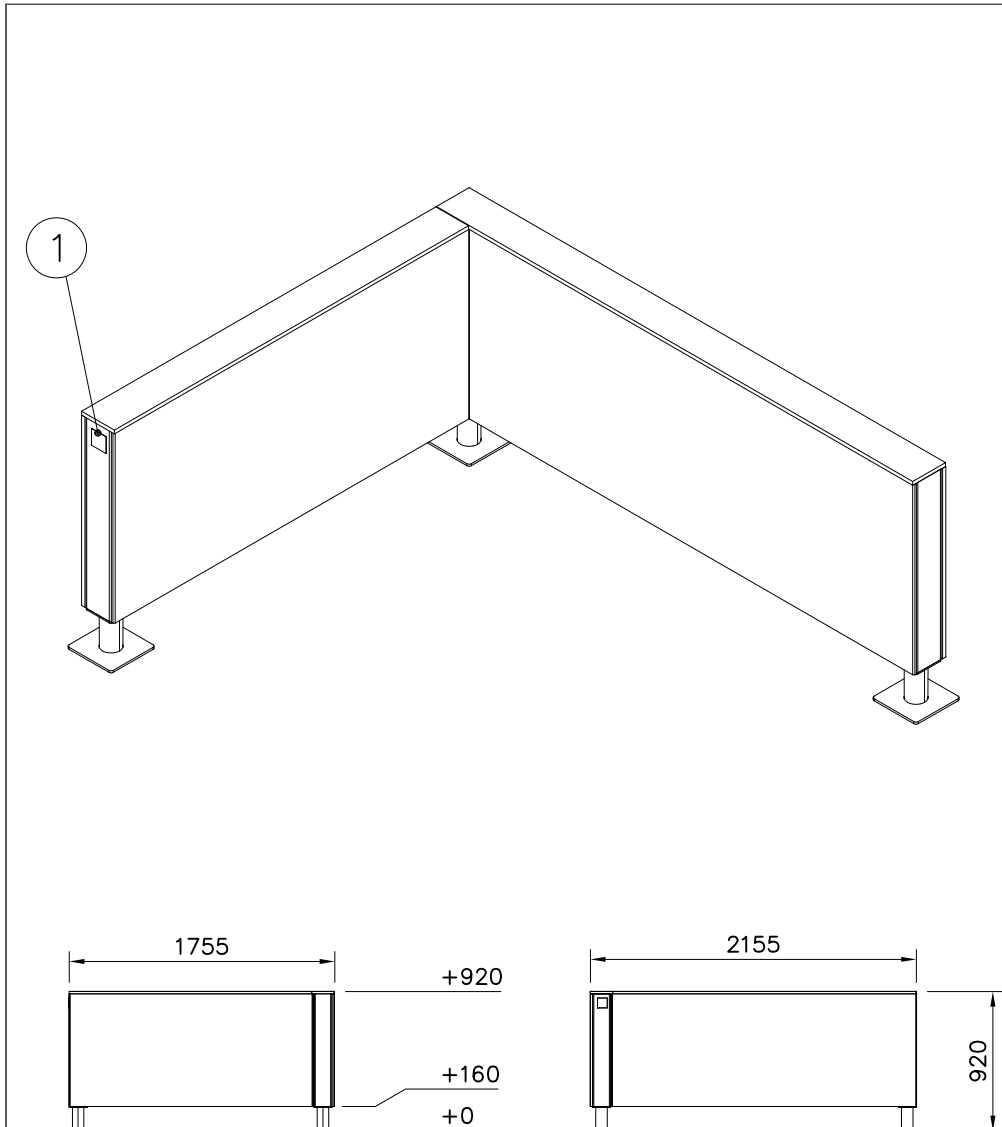
DET 6



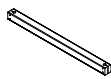


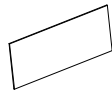

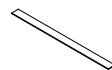
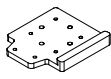
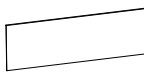





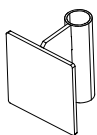




JIG DET A (USE DET 2-4)

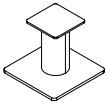
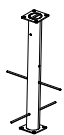
NOTE:
Use drill jig 708857
to predrill $\text{Ø}5\sqrt{50}$
holes for 910266
and 908698



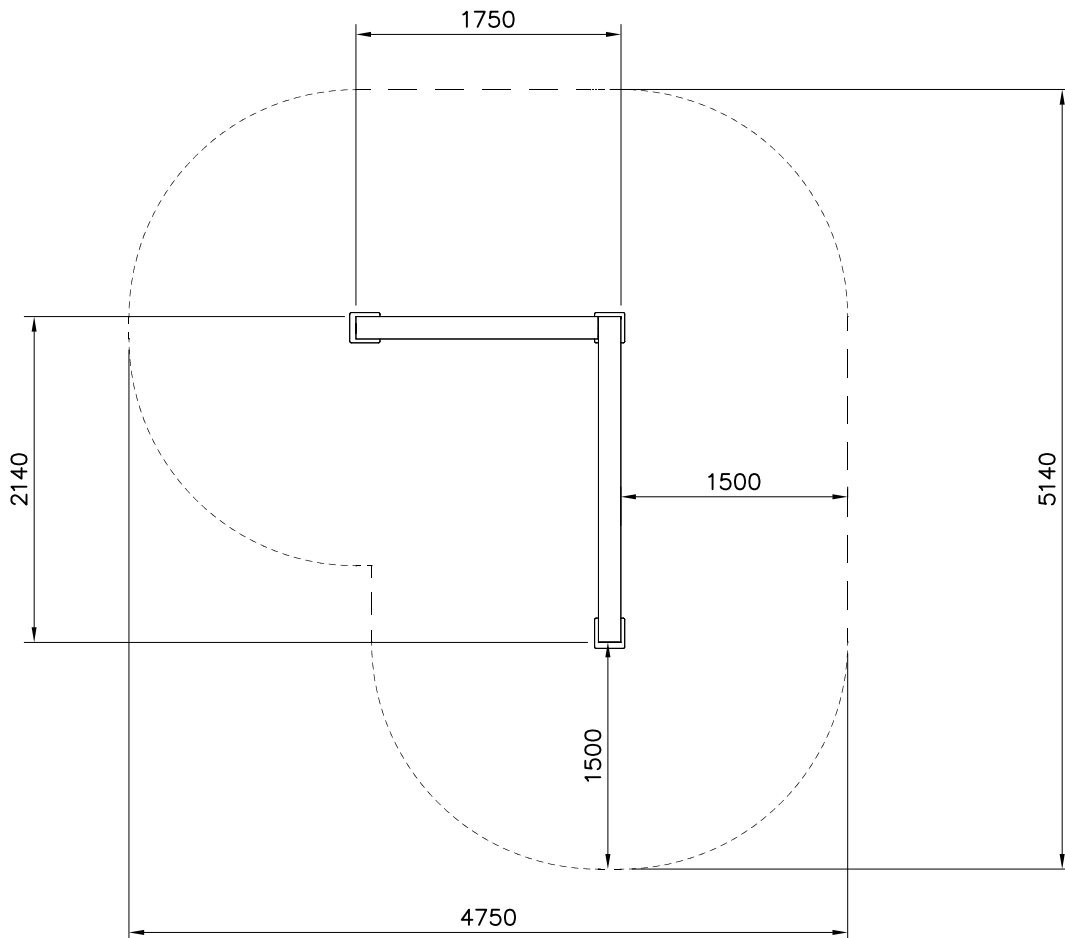
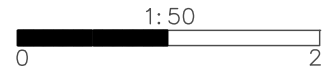


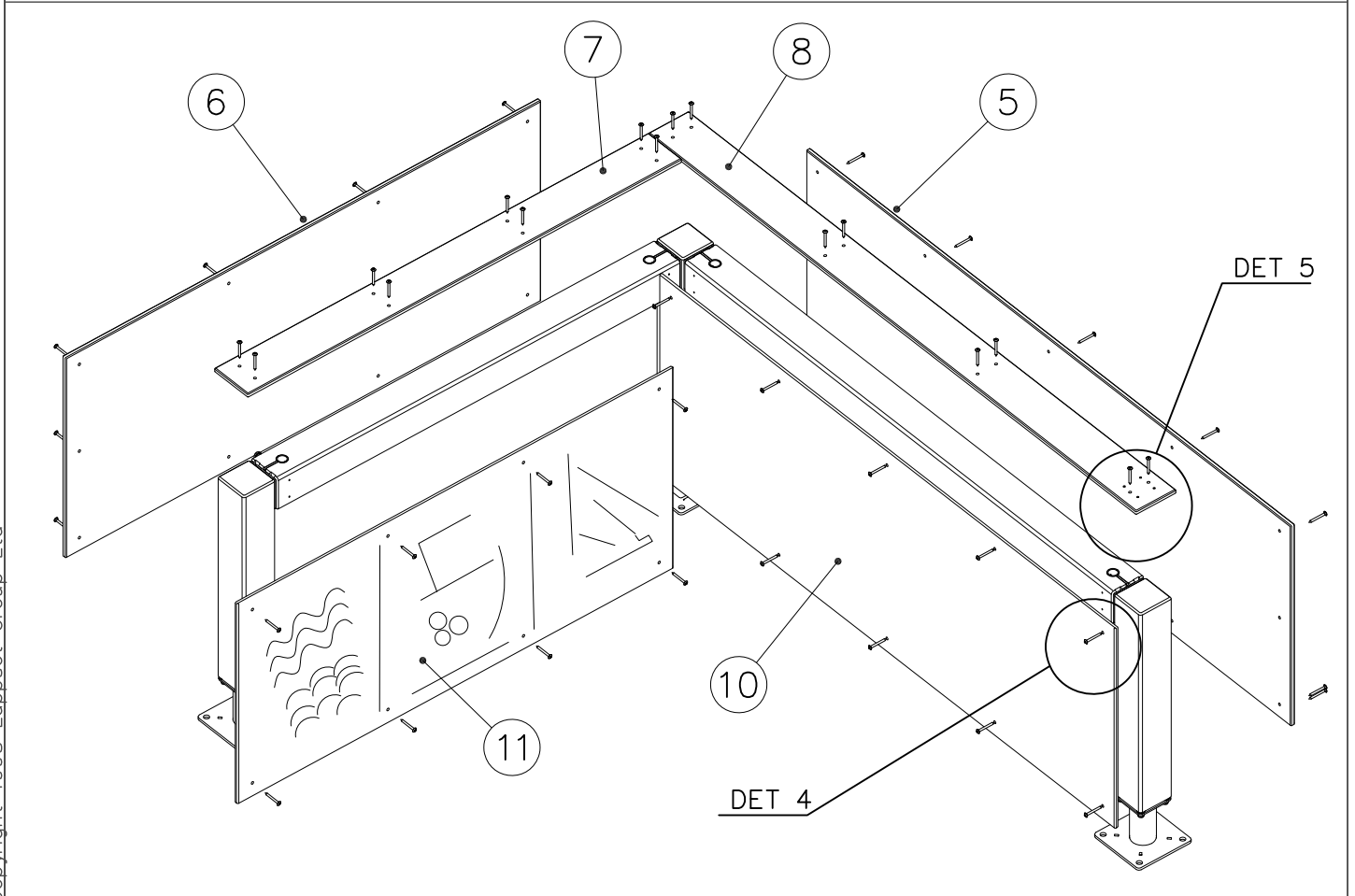
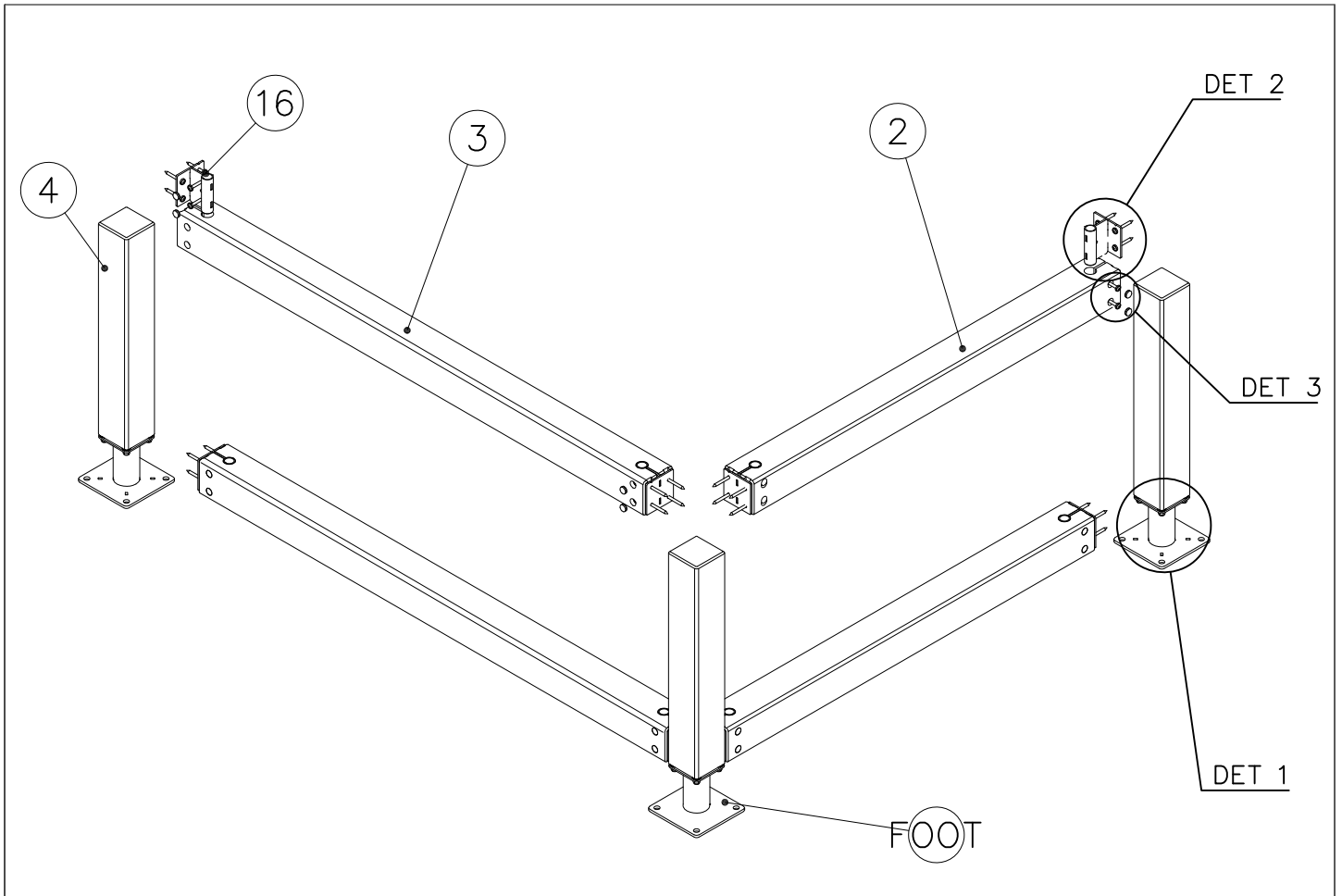
① 702286  65x65	PCS 1	② 707213  118x118x1490	PCS 2
③ 707517  118x118x1892	PCS 2	④ 708137  118x118x745	PCS 3
⑤ 708715  15x745x2140	PCS 1	⑥ 708716  15x745x1753	PCS 1
⑦ 708737  15x148x1601	PCS 1	⑧ 708738  15x148x2153	PCS 1
⑨ 708857 JIG  20x133x149	PCS 1	⑩ 911309 COLOR  12x745x2015	PCS 1
⑪ 911311 MURAL  12x745x1610	PCS 1	⑫ 900240  Ø8x70	PCS 32
⑬ 903093  Ø8x90	PCS 16	⑭ 905103  PT-28/32-H	PCS 8
⑮ 905112  Ø22	PCS 16	⑯ 910266  90x108x118	PCS 8
⑰ 980123  Ø7x60	PCS 56	⑱ 980114  Ø4x20	PCS 4

FOOT OPTIONS

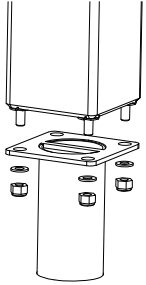
709261+		709262+	
<input type="radio"/> 910330	PCS	<input type="radio"/> 910567	PCS
SURFACE	3	CONCRETE	3
			
152x200x200		117x117x715	

----- Falling Space 18.8 m²
Max Falling Height 920 mm

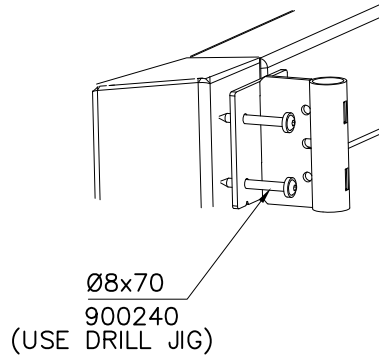




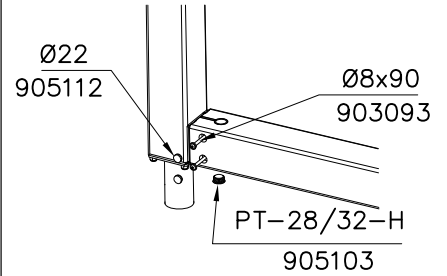
DET 1



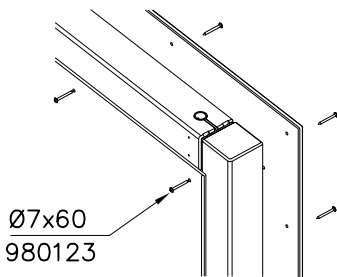
DET 2



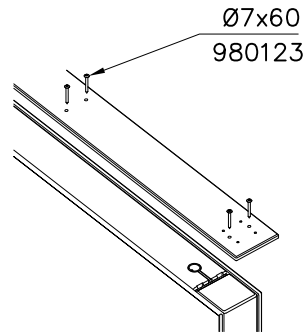
DET 3



DET 4

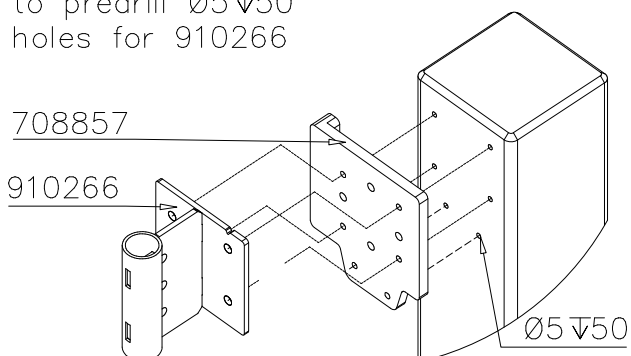


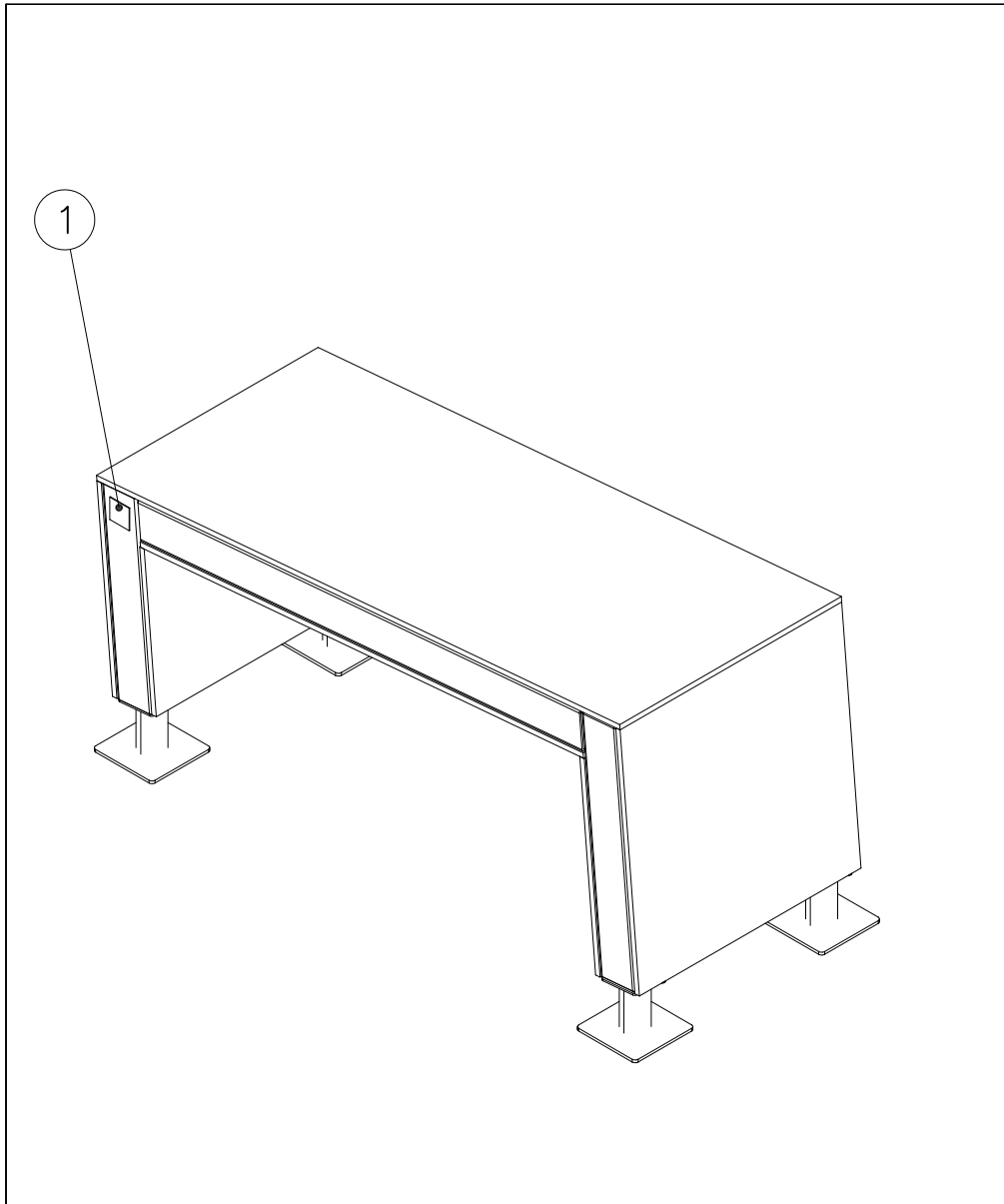
DET 5


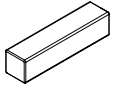

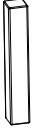

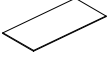
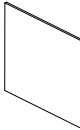

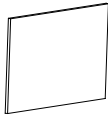
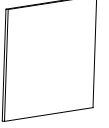
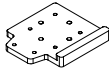

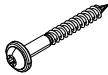

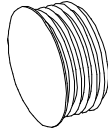
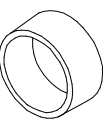


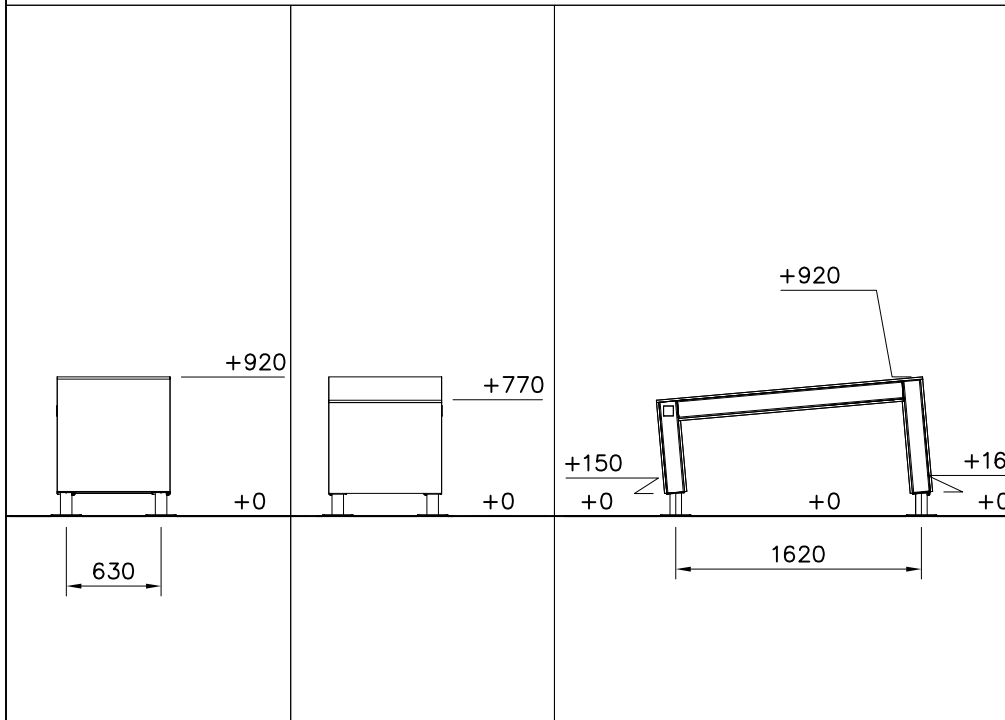
JIG DET A (USE DET 2)

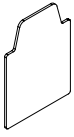
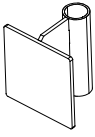



NOTE:
Use drill jig 708857
to predrill $\text{Ø}5 \nabla 50$
holes for 910266



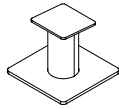
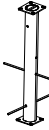


① 702286  65x65	PCS 1	② 707210  118x118x503	PCS 4
③ 707213  118x118x1490	PCS 2	④ 708127  118x118x603	PCS 2
⑤ 708137  118x118x745	PCS 2	⑥ 708721  15x745x1766	PCS 1
⑦ 708725  15x603x745	PCS 1	⑧ 708726  15x745x745	PCS 1
⑨ 708834  15x745x470	PCS 1	⑩ 708835  15x745x612	PCS 1
⑪ 708857 JIG  20x133x149	PCS 1	⑫ 709204  15x745x1495	PCS 1
⑬ 900240  Ø8x70	PCS 32	⑭ 903093  Ø8x90	PCS 8
⑮ 905103  PT-28/32-H	PCS 8	⑯ 905112  Ø22	PCS 8

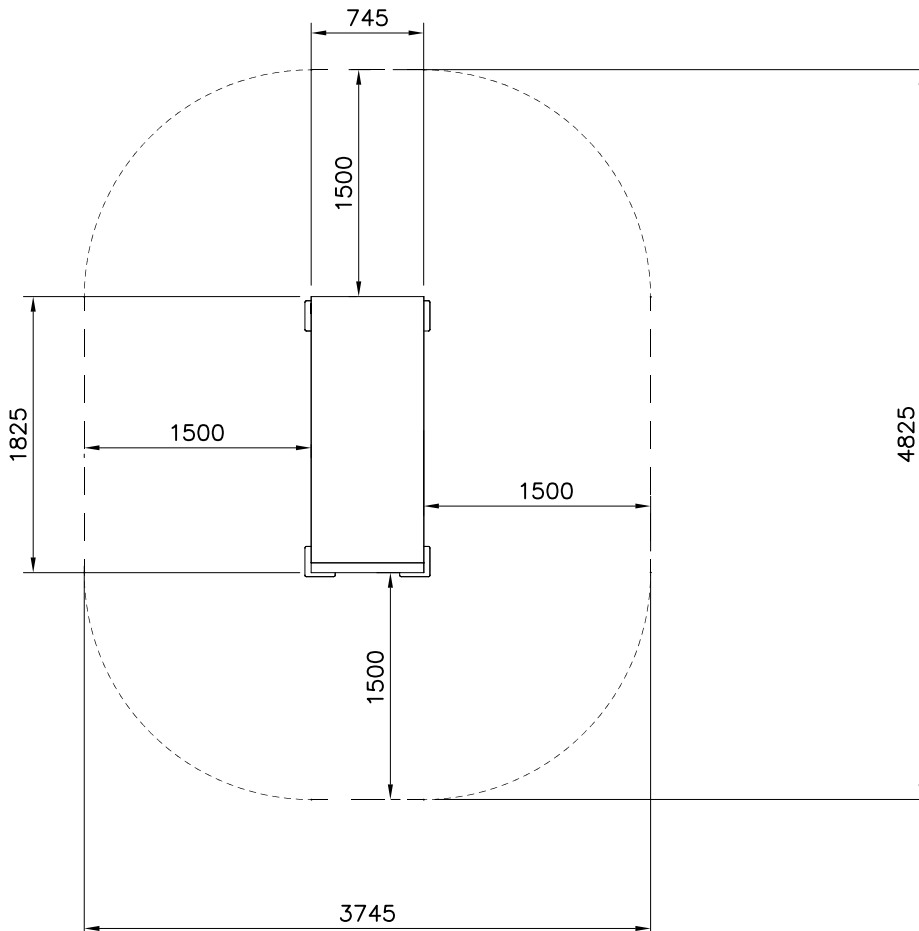
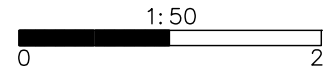


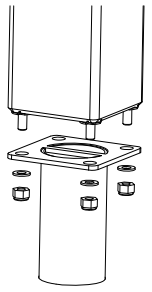
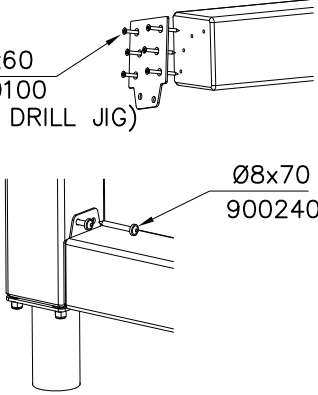
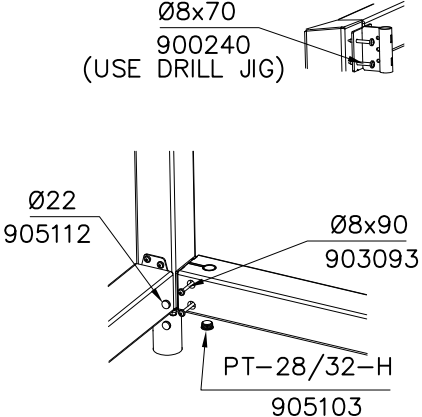
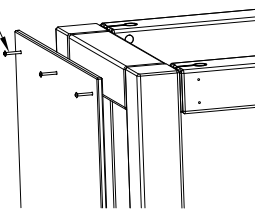
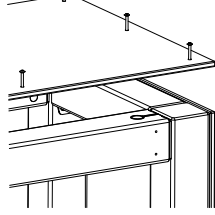
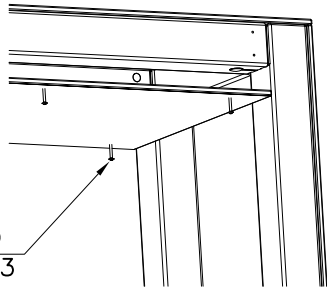
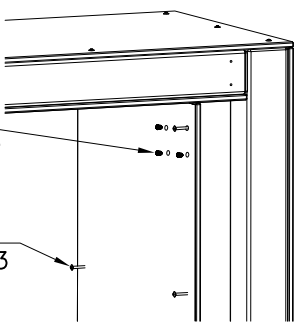
(17) 908698	PCS	(18) 910266	PCS	(19) 980114	PCS	(20) 980100	PCS	(21) 980123	PCS		PCS		PCS
	8		4		4		48		38				
3x114x108		90x108x118		Ø4x20		Ø5x60		Ø7x60					
	PCS		PCS		PCS								

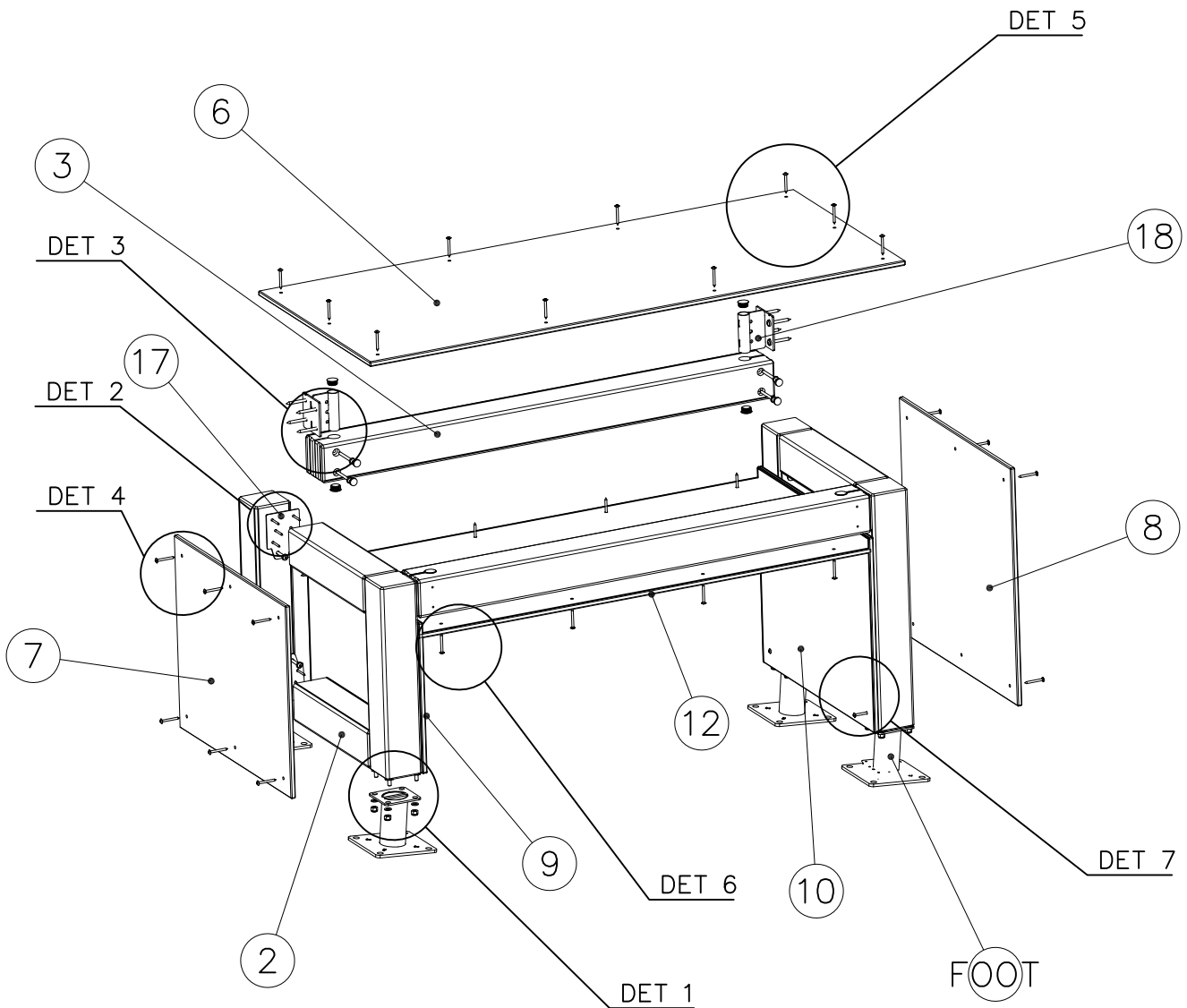
FOOT OPTIONS

709261+		709262+	
○ 910267	PCS	○ 910567	PCS
SURFACE	4	CONCRETE	4
			
152x200x200		117x117x715	

----- Falling Space 16.1 m²
Max Falling Height 920 mm



<p>DET 1</p> 	<p>DET 2</p>  <p>Ø5x60 980100 (USE DRILL JIG)</p> <p>Ø8x70 900240</p>	<p>DET 3</p>  <p>Ø8x70 900240 (USE DRILL JIG)</p> <p>Ø22 905112</p> <p>Ø8x90 903093</p> <p>PT-28/32-H 905103</p>
<p>DET 4</p>  <p>Ø7x60 980123</p>	<p>DET 5</p>  <p>Ø7x60 980123</p>	<p>DET 6</p>  <p>Ø7x60 980123</p>
<p>DET 7</p>  <p>SRL12 903533</p> <p>Ø7x60 980123</p>		



JIG DET A (USE DET 2-3)

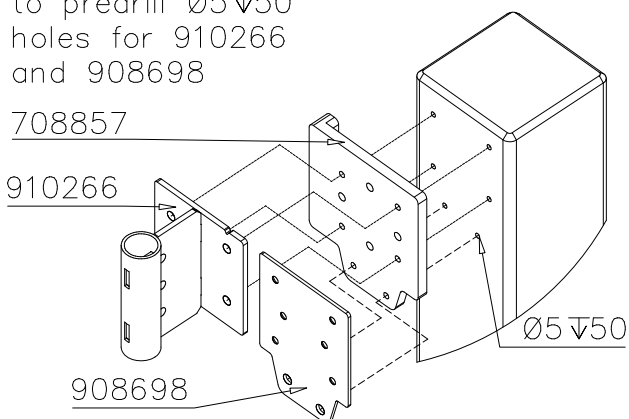
NOTE:

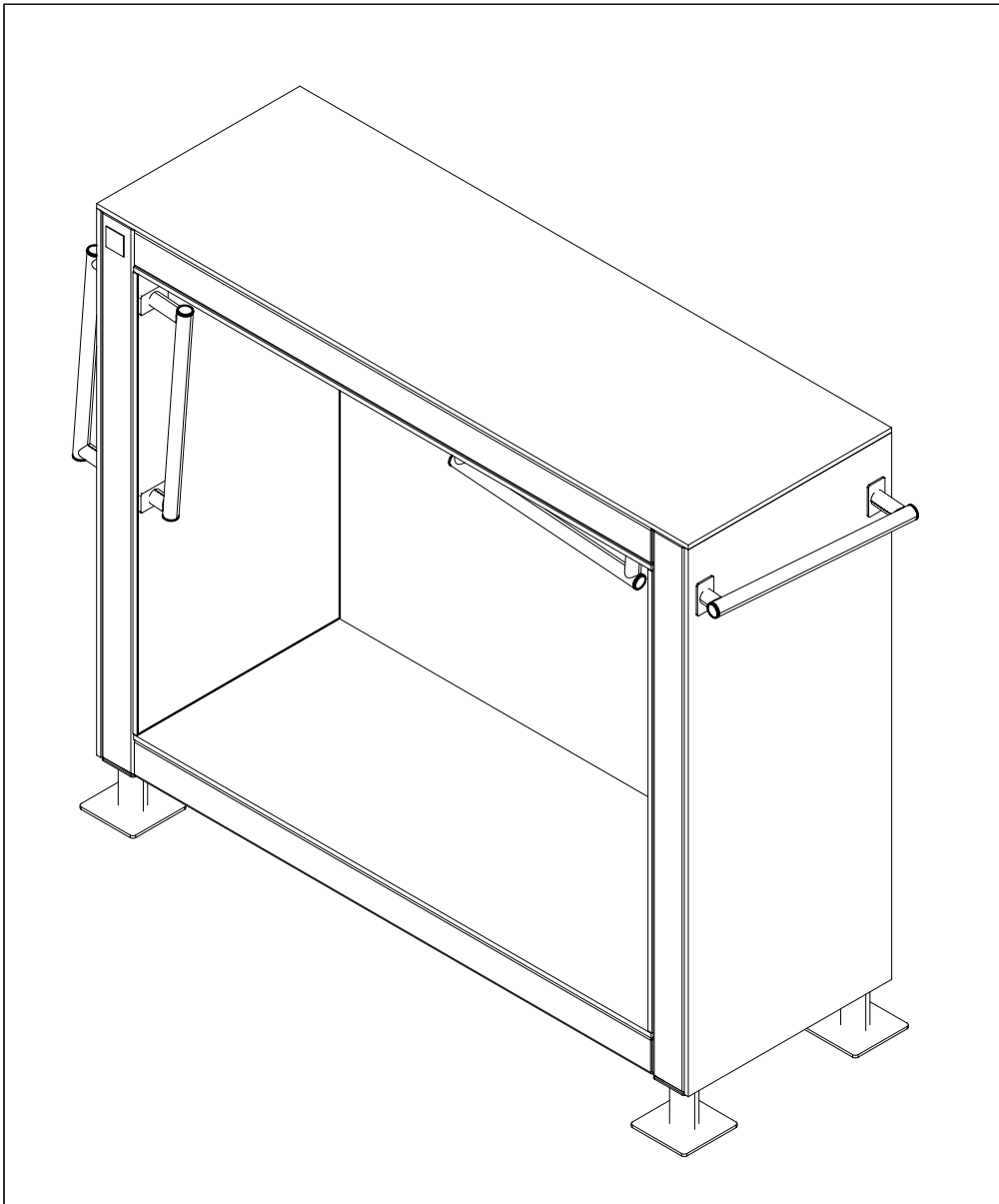
Use drill jig 708857 to predrill $\text{Ø}5 \nabla 50$ holes for 910266 and 908698

708857

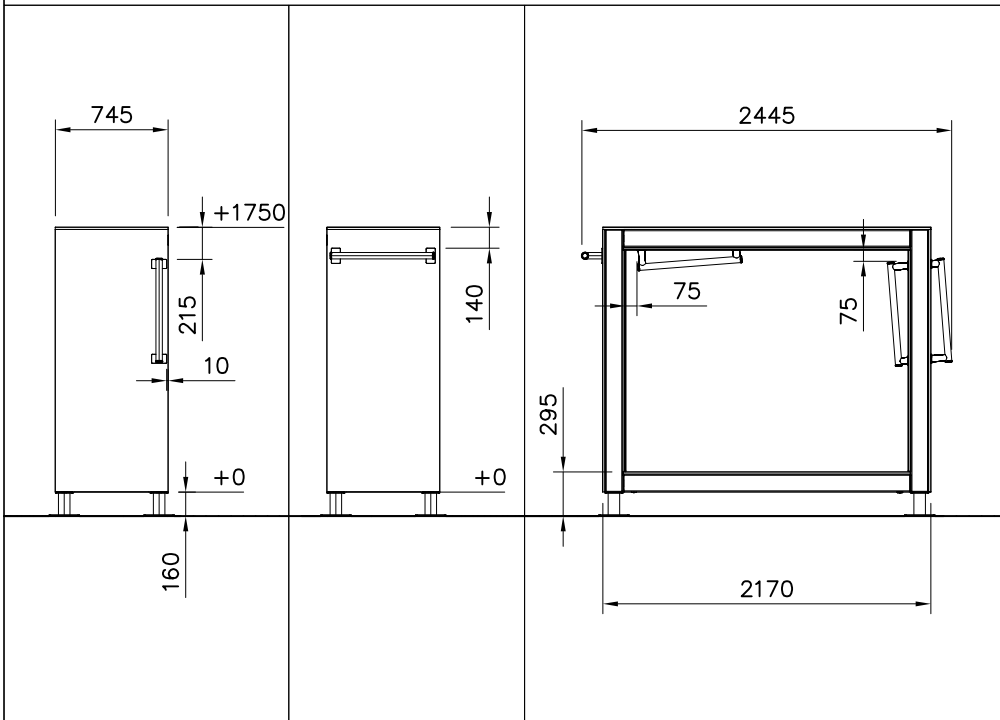
910266

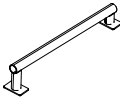
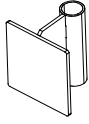


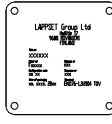
908698



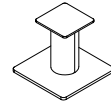



① 707210 118x118x503	PCS 4	② 707517 118x118x1892	PCS 4
③ 708346 118x118x1736	PCS 4	④ 708836 15x745x1736	PCS 2
⑤ 708837 15x745x2168	PCS 1	⑥ 708839 15x745x1897	PCS 1
⑦ 708857 JIG 20x133x149	PCS 1	⑧ 911288 COLOR 15x745x1465	PCS 2
⑨ 911289 COLOR 15x745x1897	PCS 1	⑩ 980114 Ø4x20	PCS 4
⑪ 900240 Ø8x70	PCS 64	⑫ 903093 Ø8x90	PCS 16
⑬ 905103 PT-28/32-H	PCS 8	⑭ 905112 Ø22	PCS 16
⑮ 908371 42-38/40	PCS 8	⑯ 908698 3x114x108	PCS 8

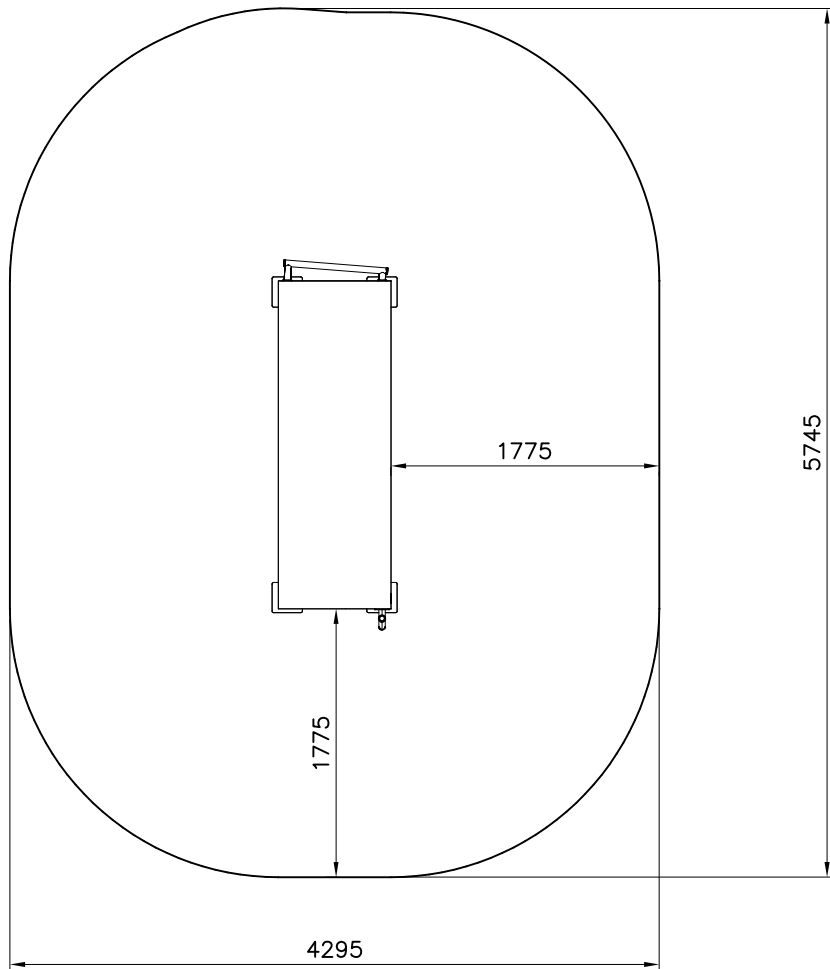
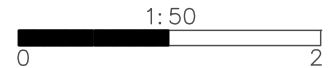


17	910056	PCS	18	910266	PCS	19	980100	PCS	20	980123	PCS	21	702286	PCS		PCS		PCS
		4		8		48		65		1								
	140x690		90x108x118		Ø5x60		Ø7x60		65x65									

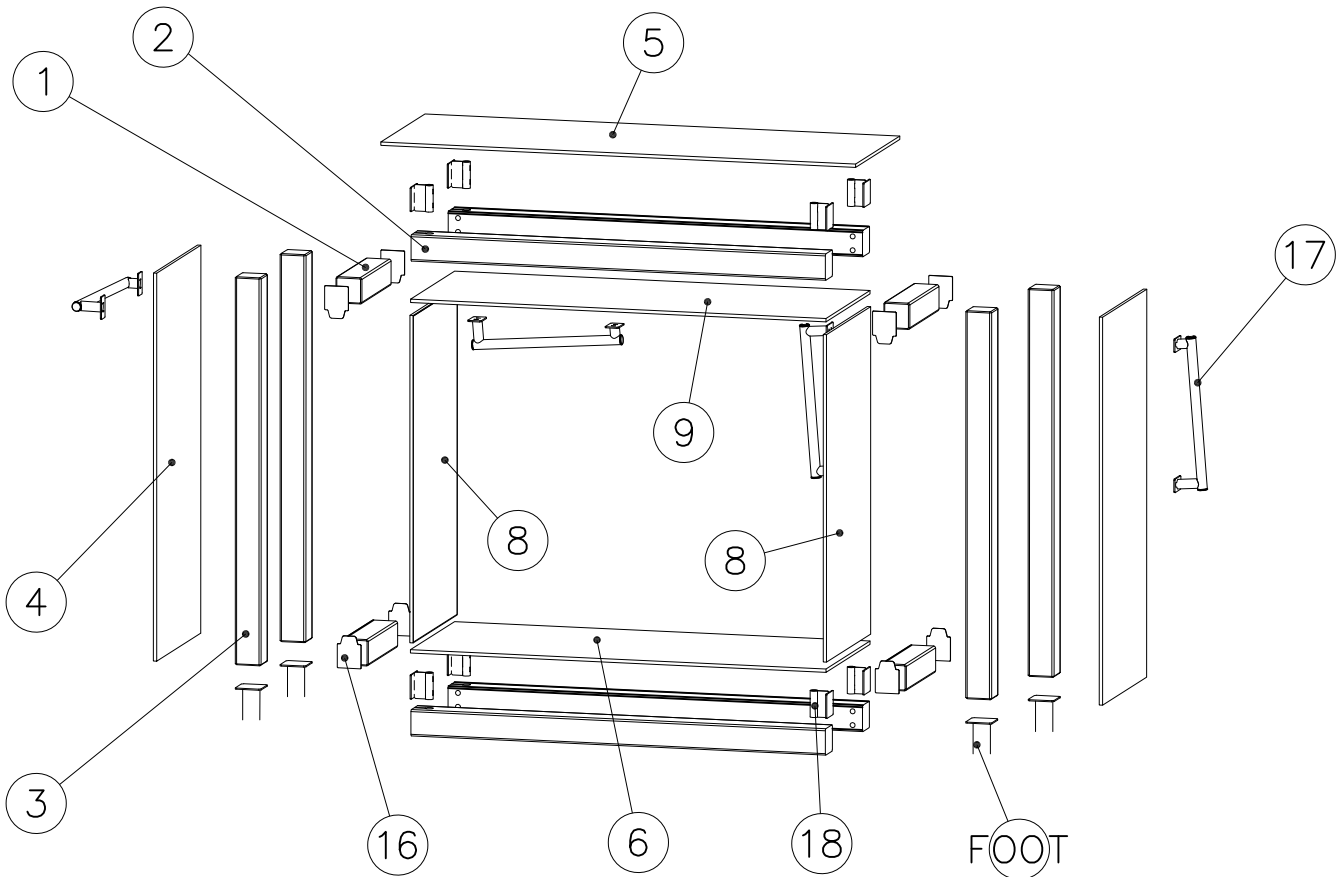
FOOT OPTIONS

709261+		709262+	
910330	PCS	910567	PCS
SURFACE	4	CONCRETE	4
			
152x200x200		117x117x715	

- EN Impact Attenuating Surface (IAS) 21.9 m2
- Falling Space 21.9 m2
- Max Falling Height 1910 mm

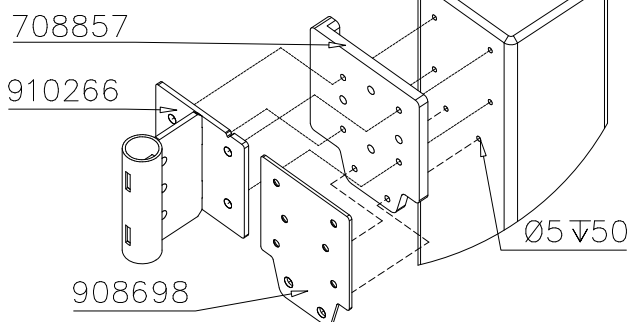


<p>DET 1</p>	<p>DET 2</p> <p>Ø5x60 980100 (USE DRILL JIG)</p> <p>Ø8x70 900240</p>	<p>DET 3</p> <p>Ø8x70 900240 (USE DRILL JIG)</p> <p>Ø22 905112</p> <p>Ø8x90 903093</p> <p>PT-28/32-H 905103</p>
<p>DET 4</p> <p>Ø7x60 980123</p>	<p>DET 5</p> <p>Ø7x60 980123</p>	<p>DET 6</p> <p>Ø7x60 980123</p>
<p>DET 7</p> <p>Ø7x60 980123</p>	<p>DET 8</p> <p>Ø7x60 980123</p>	
<p>DET 9 DRILL PREHOLES BEFORE INSTALLING HANDLES</p> <p>42-38/40 908371</p> <p>Ø8x70 900240</p>		

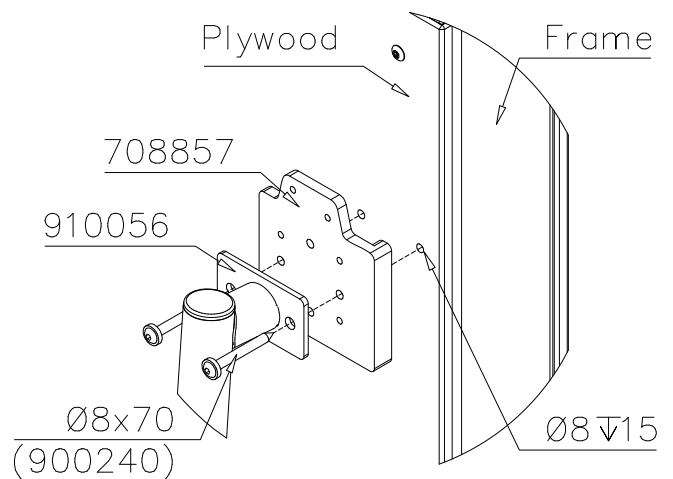


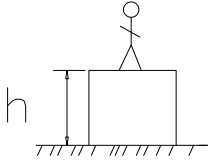
JIG DET A (USE DET 2-3)

NOTE:
Use drill jig 708857
to predrill $\text{Ø}5 \nabla 50$
holes for 910266
and 908698



JIG DET B (USE DET 9)





$h < 1600$

Totally hard surfaces or materials with very limited impact attenuating properties.

Case by case risk assessment is needed including e.g. evaluation whether there is forced movement, what is the intended exercise and where will the product be installed.

Materials with significant impact attenuating properties.

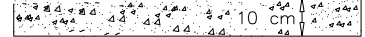
Totally hard surfaces.
E.g. concrete or asphalt



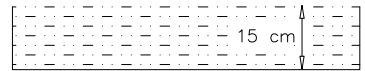
Materials with very limited impact attenuating properties.
E.g. wood



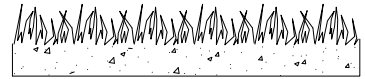
fine gravel 0–8 mm



Unsorted sand/ topsoil



Lawn

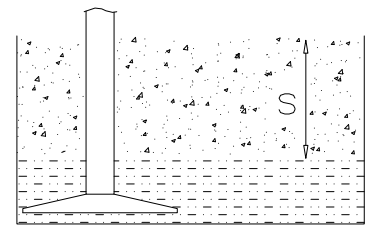


$h = 1600-$

$h < 3000$

Loose fill material

E.g.
sand/gravel 0,25...8 mm $D_{60}/D_{10} < 3,0$
Woodchips 5...30 mm
bark 20...80 mm



$\frac{S}{30 \text{ cm}}$ $\frac{h}{< 3,0 \text{ m}}$

Synthetic granulates

$\frac{S}{\text{mm}}$	$\frac{h}{\text{m}}$
40 mm	$\sim > 1,6... \sim < 1,8$ m
50 mm	$\sim > 1,8... \sim < 2,25$ m
55 mm	$\sim > 2,25... \sim < 2,4$ m
60 mm	$\sim > 2,4... \sim < 2,55$ m
70 mm	$\sim > 2,55... \sim < 3,0$ m

Note. For accurate values, see manufacturer's instructions.

