

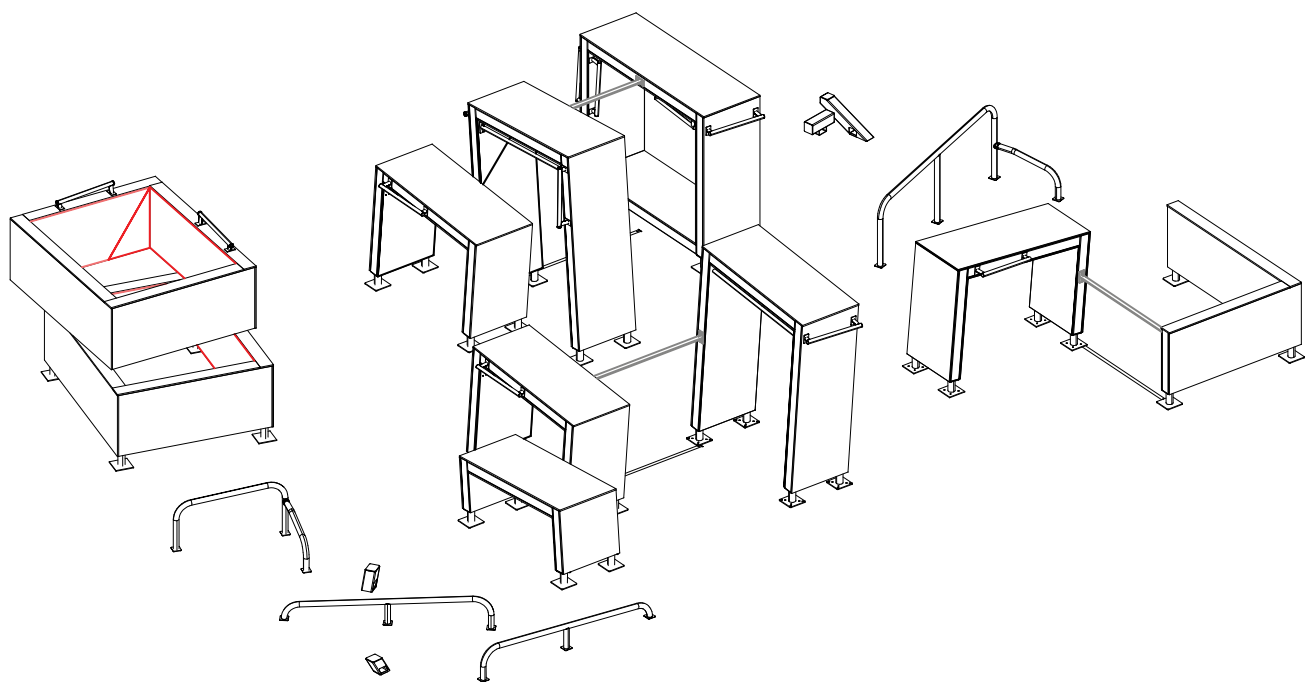
# **LAPPSET®**

## **DASH PARKOUR**

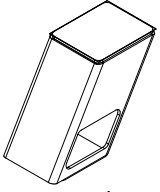
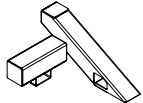
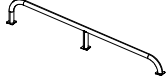
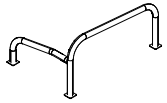
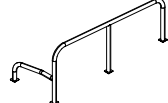
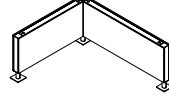
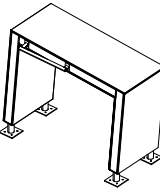
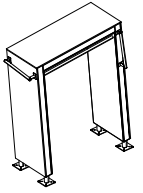
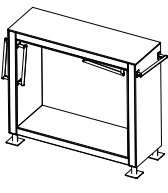
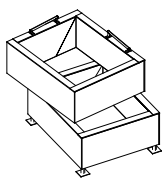
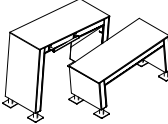
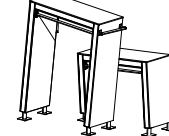
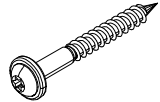


ASENNUSOHJE  
MONTERINGSANSVISNING  
INSTALLATION INSTRUCTION  
AUFBAUANLEITUNG  
NOTICE D'INSTALLATION

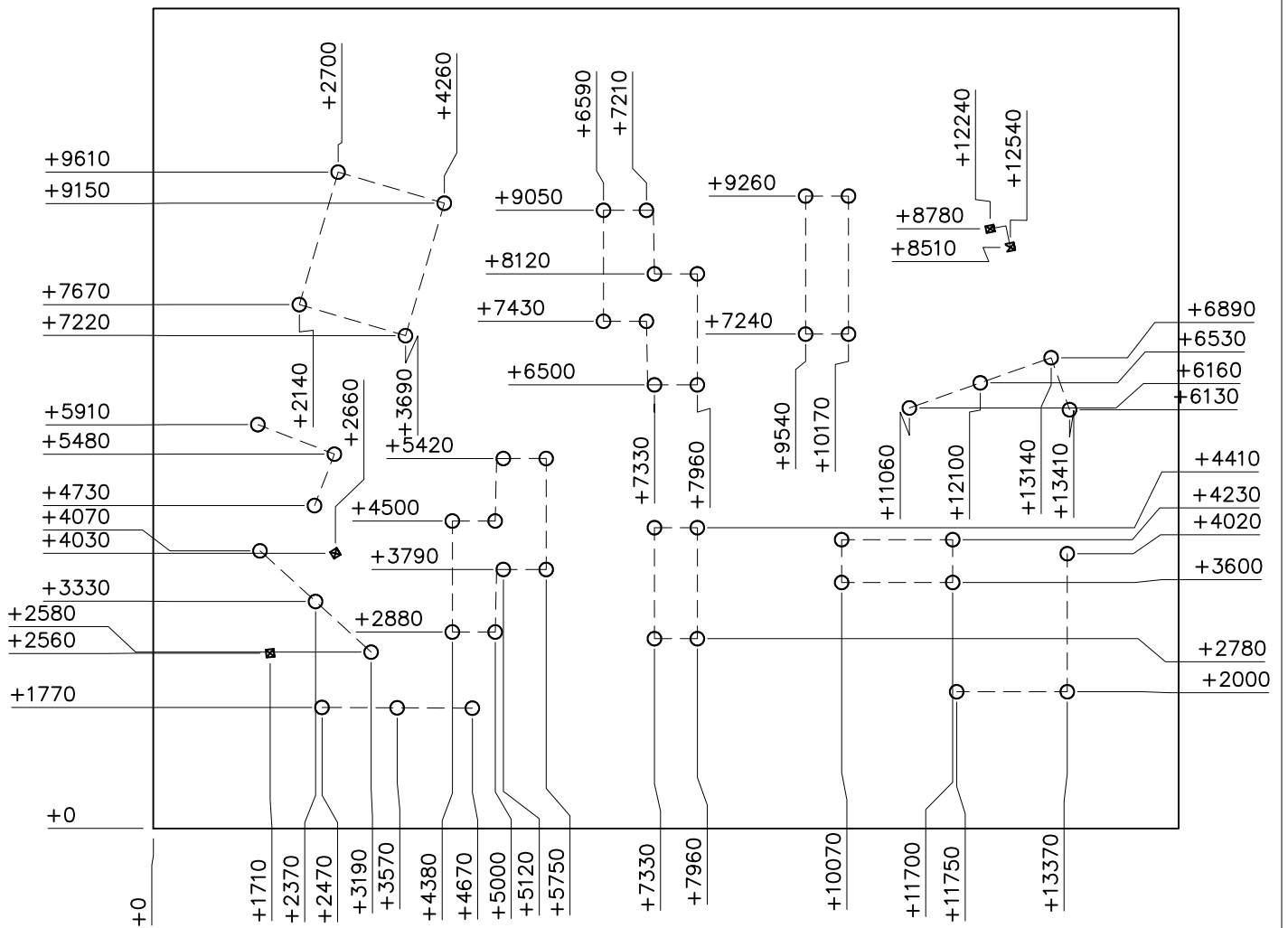
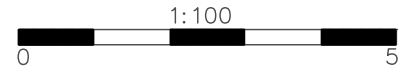
DATE: 18.2.2020

### **081784M**

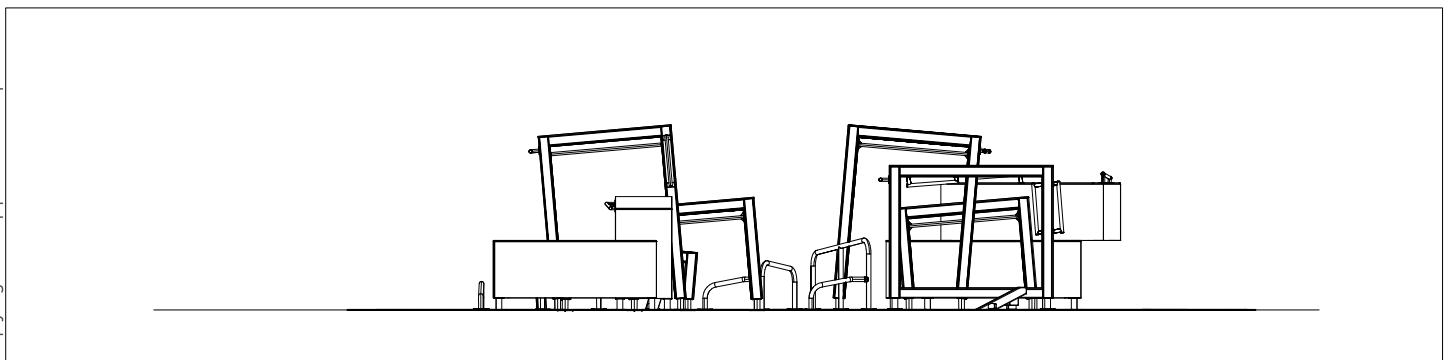
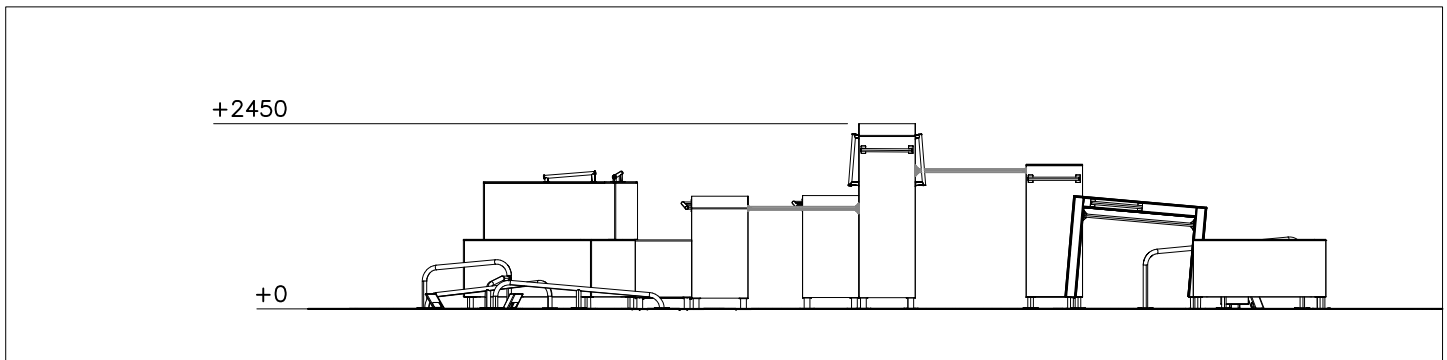
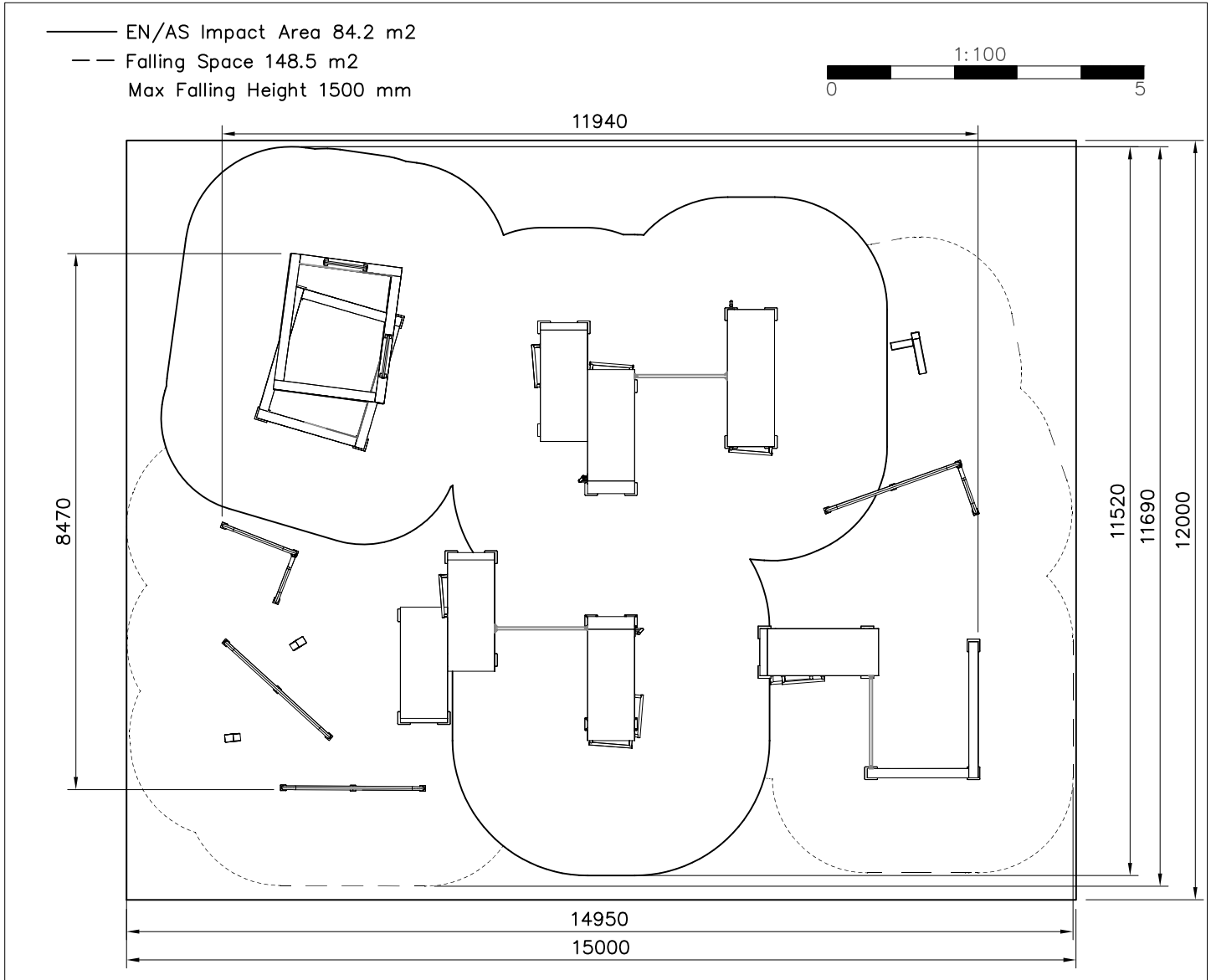


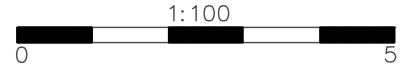
DATE: 18.2.2020

081700M  PCS 2	081701M  PCS 1	081710M  PCS 2	081711M  PCS 1	081712M  PCS 1	081722M  PCS 1
081731M  PCS 1	081732M  PCS 1	081733M  PCS 1	081734M  PCS 1	081735M  PCS 1	081737M  PCS 1
900240  PCS 24 Ø8x70	910328  PCS 1 L 1466	910513  PCS 2 L 1466			

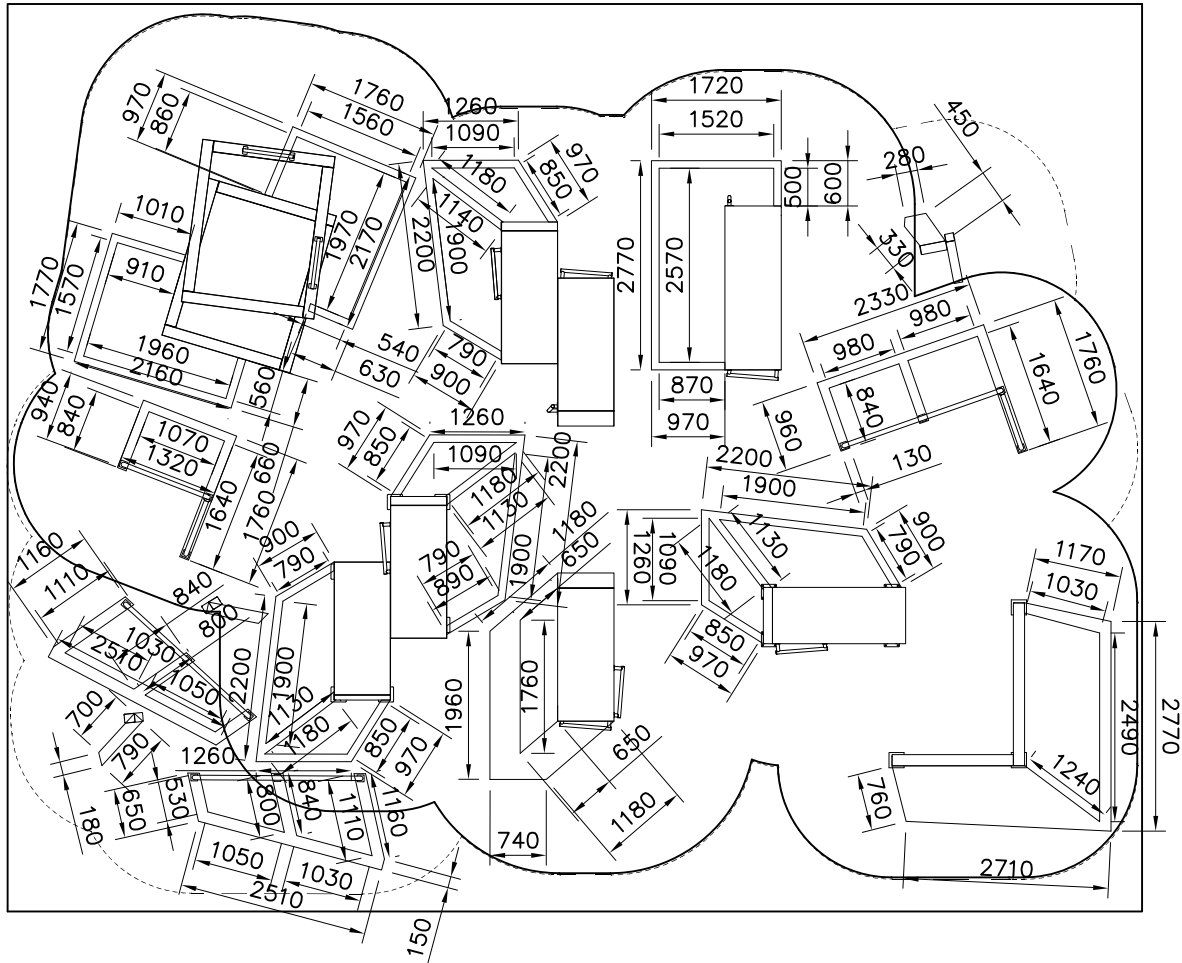


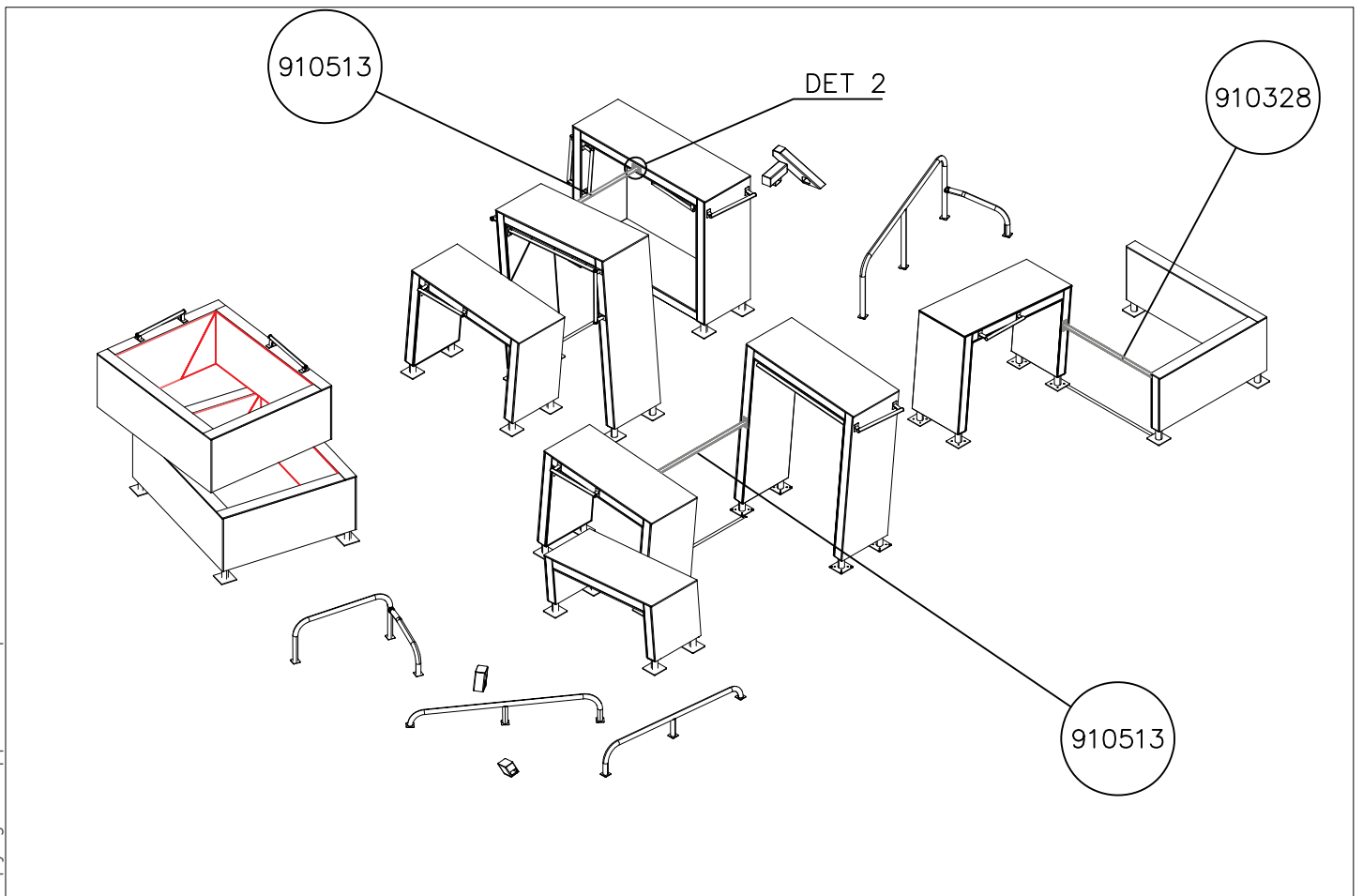
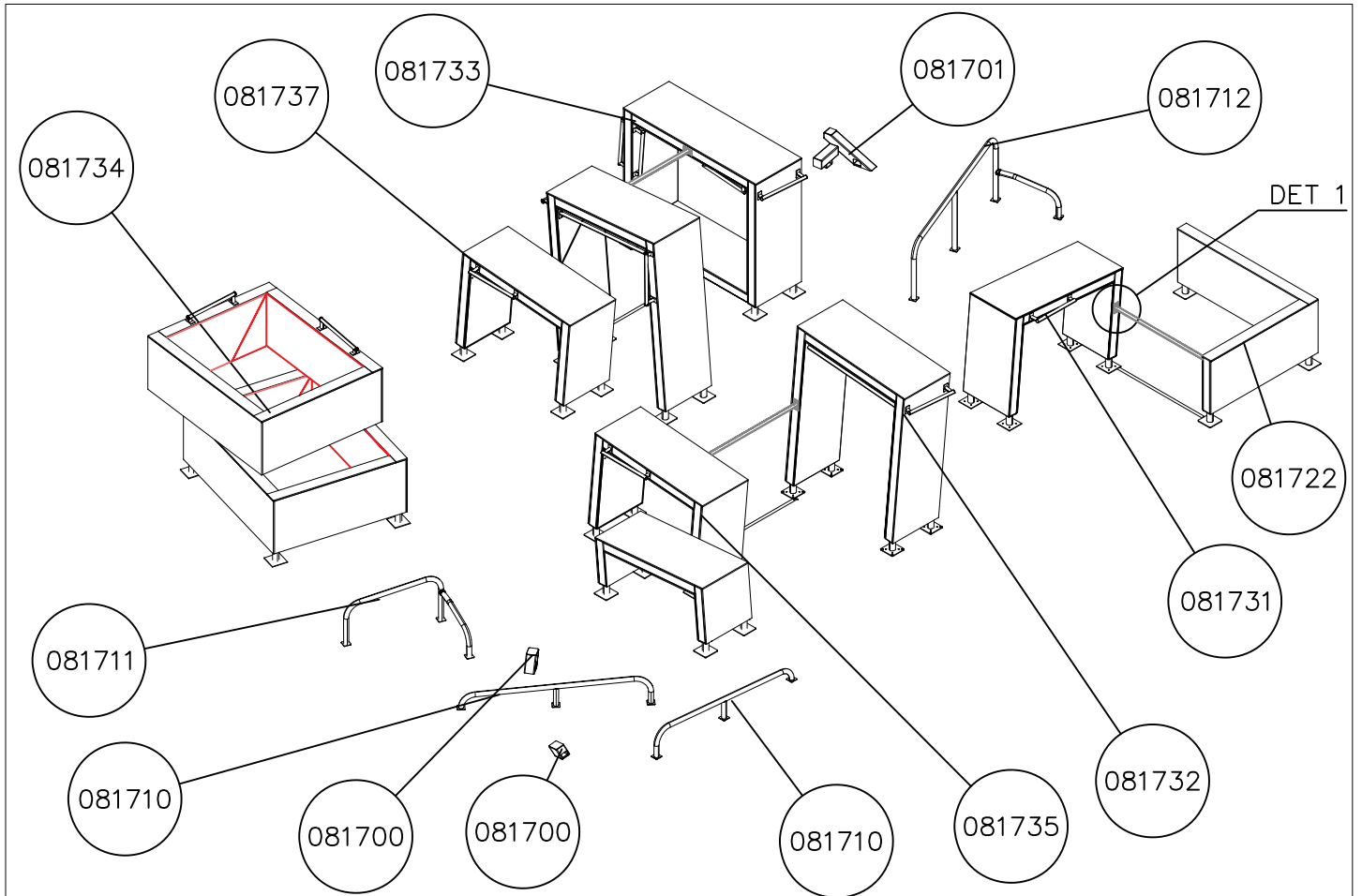
—— EN/AS Impact Area 84.2 m<sup>2</sup>  
 - - - Falling Space 148.5 m<sup>2</sup>  
 Max Falling Height 1500 mm

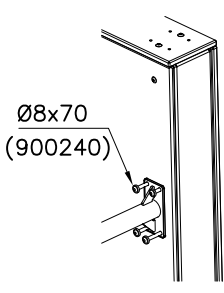
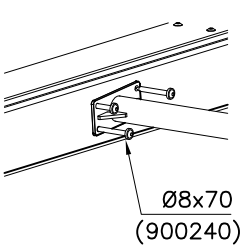


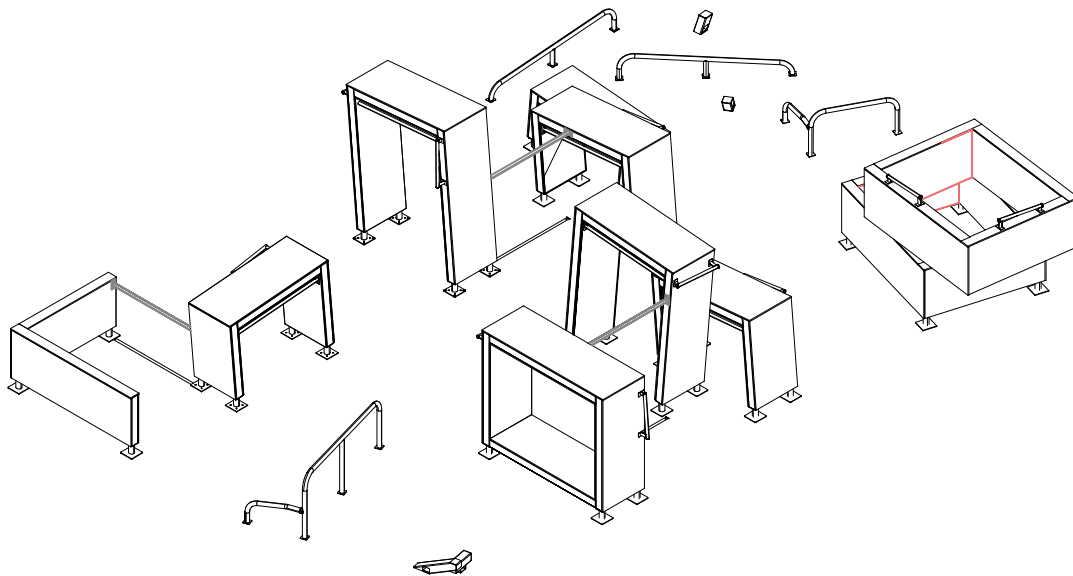
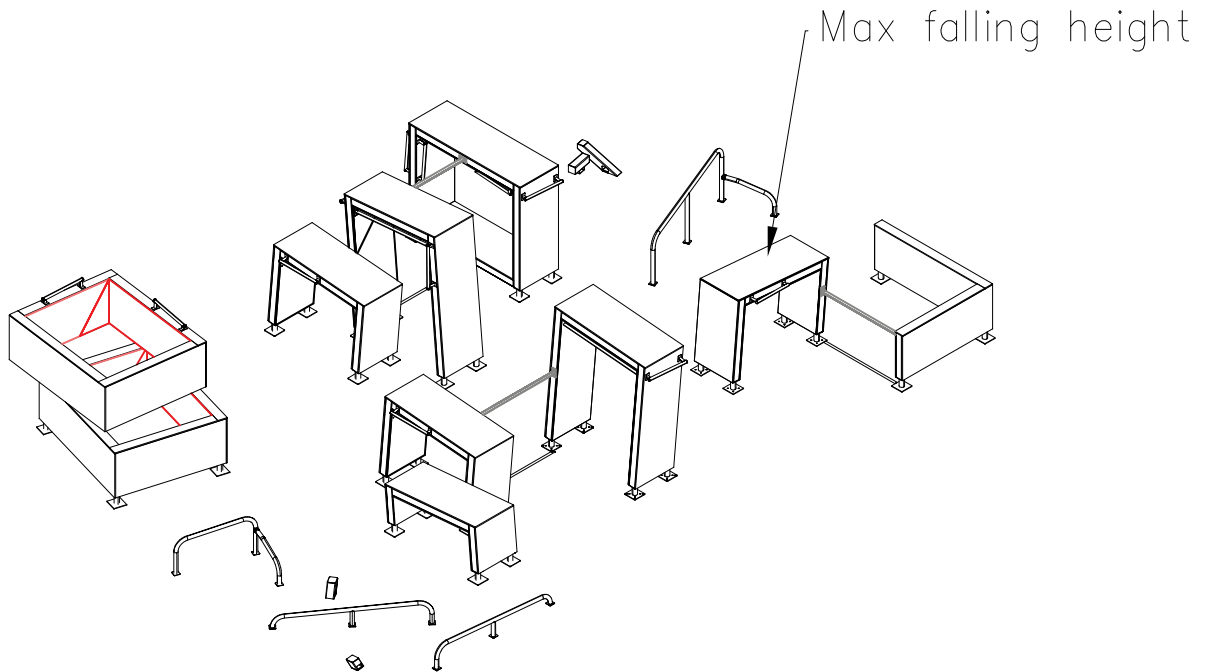


Groundmarks

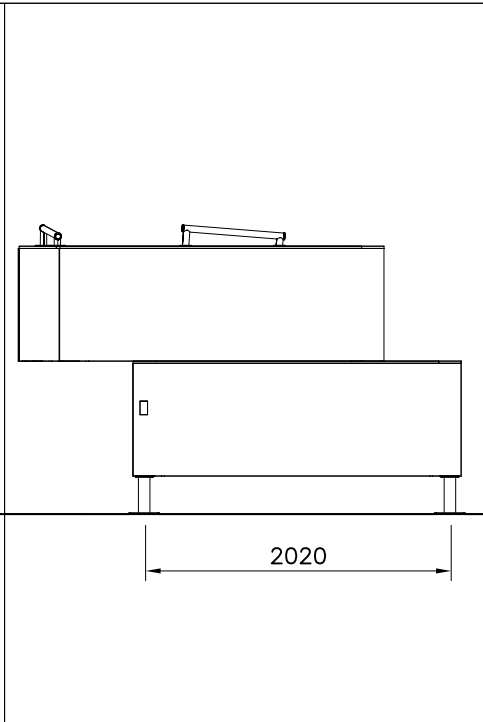
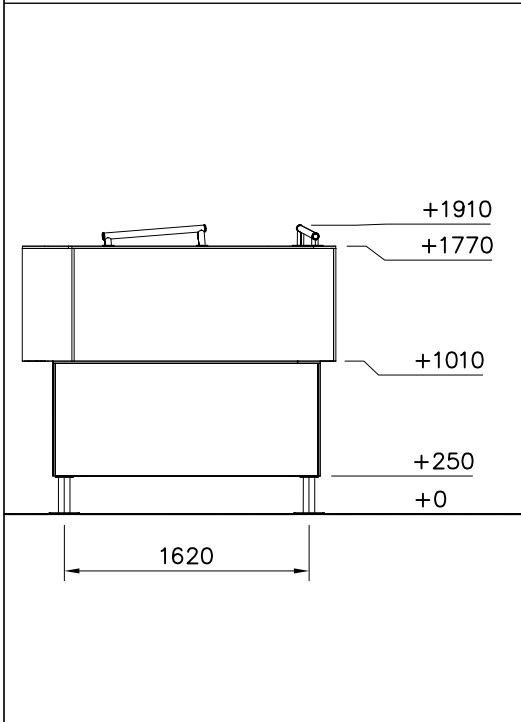
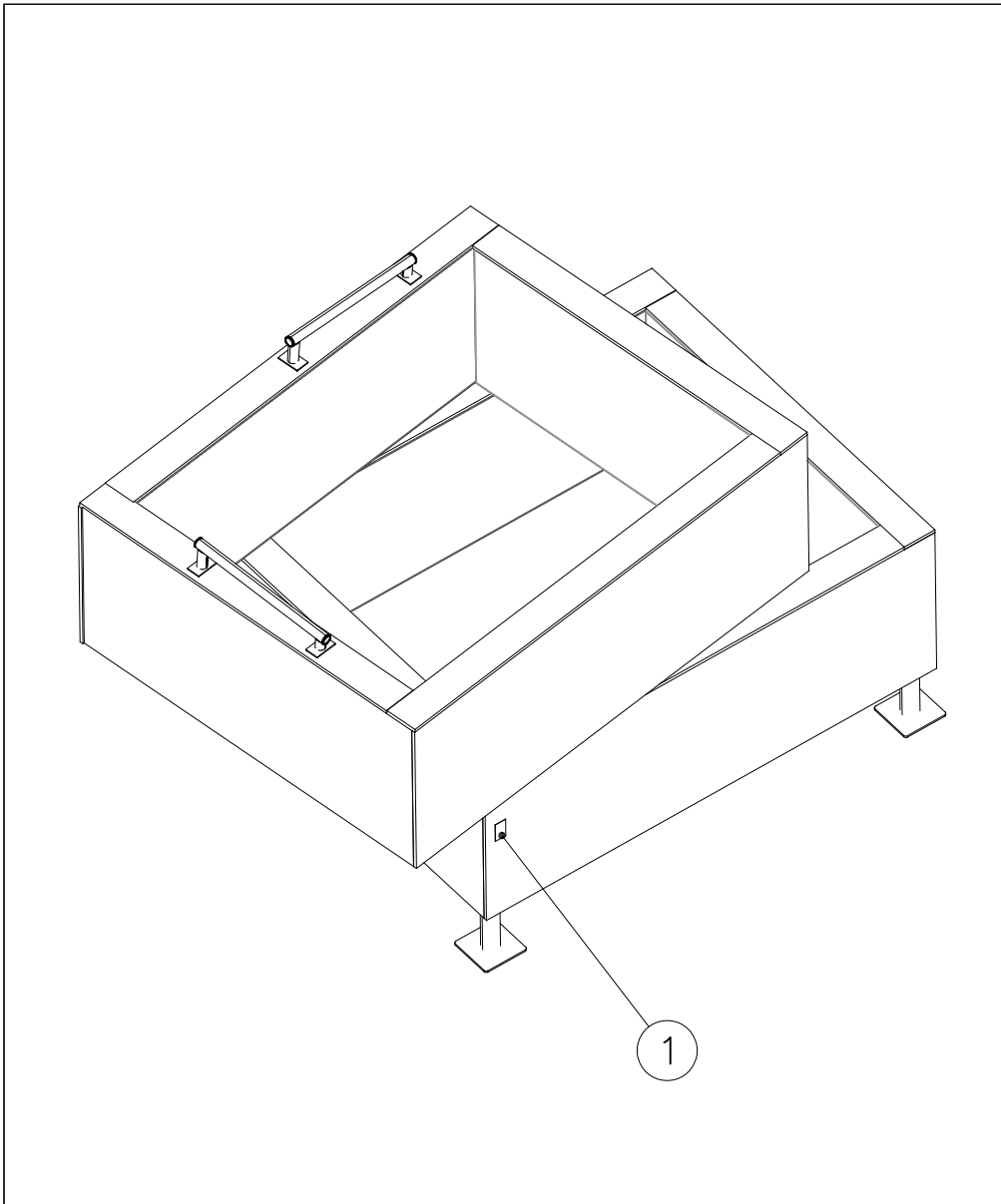


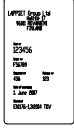

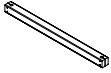






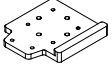

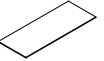
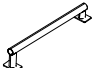





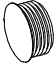

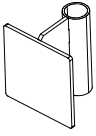







<p>DET 1</p>  <p>Ø8x70 (900240)</p>	<p>DET 2</p>  <p>Ø8x70 (900240)</p>		



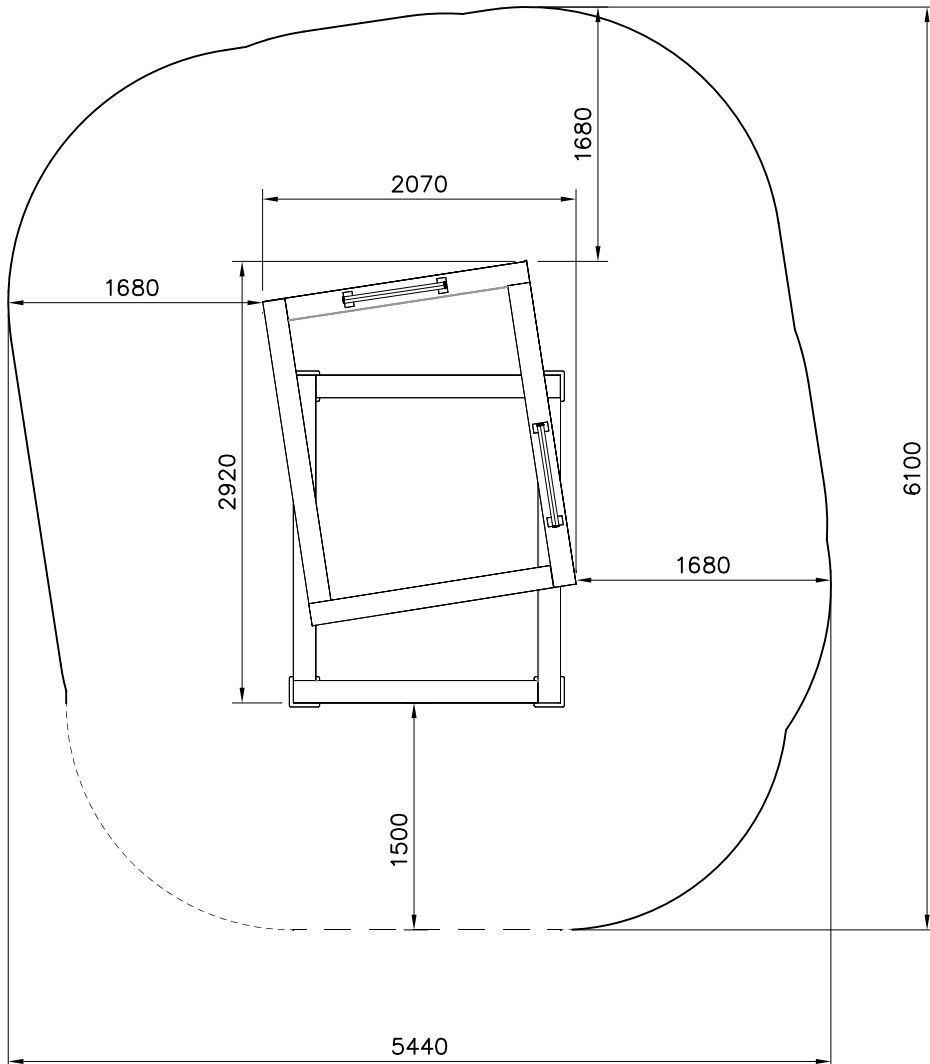
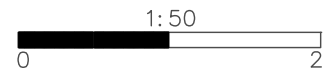




① 702341  90x50	PCS 1	② 707213  118x118x1490	PCS 8
③ 707517  118x118x1892	PCS 8	④ 708137  118x118x745	PCS 4
⑤ 708836  15x745x1736	PCS 4	⑥ 708837  15x745x2168	PCS 4
⑦ 708839  15x745x1897	PCS 2	⑧ 708840  15x148x2018	PCS 4
⑨ 708841  15x148x1616	PCS 4	⑩ 708857 JIG  20x133x149	PCS 1
⑪ 911288 COLOR  15x745x1465	PCS 4	⑫ 911289 COLOR  15x745x1897	PCS 2
⑬ 910056  140x690	PCS 2	⑭ 980123  Ø7x60	PCS 216
⑮ 900240  Ø8x70	PCS 128	⑯ 903093  Ø8x90	PCS 72

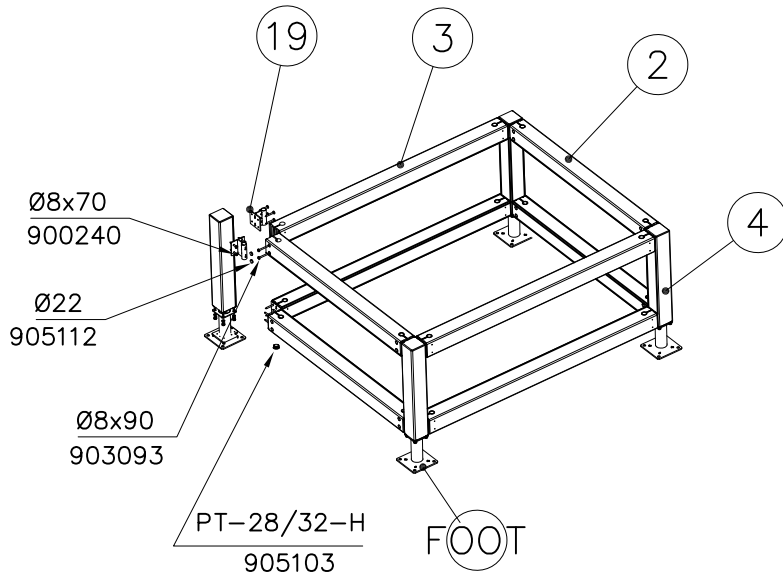
17 905103  PT-28/32-H PCS 24	18 905112  Ø22 PCS 64	19 910266  90x108x118 PCS 32	20 709110  118x118x745 PCS 4	21 905086  Ø44/13.5 x 3.9 PCS 8	22 908371  42-38/40 PCS 4
23 909132  M12x280 PCS 4	24 909248  M12 PCS 4	FOOT OPTIONS 710175+      710176+			
		911817 SURFACE  250x200x200 PCS 4		911820 CONCRETE  803x117x117 PCS 4	

— EN Impact Attenuating Surface (IAS) 28.1 m<sup>2</sup>  
 - - - Falling Space 28.1 m<sup>2</sup>  
 Max Falling Height 1910 mm

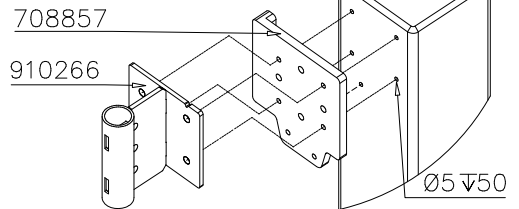


DET 1

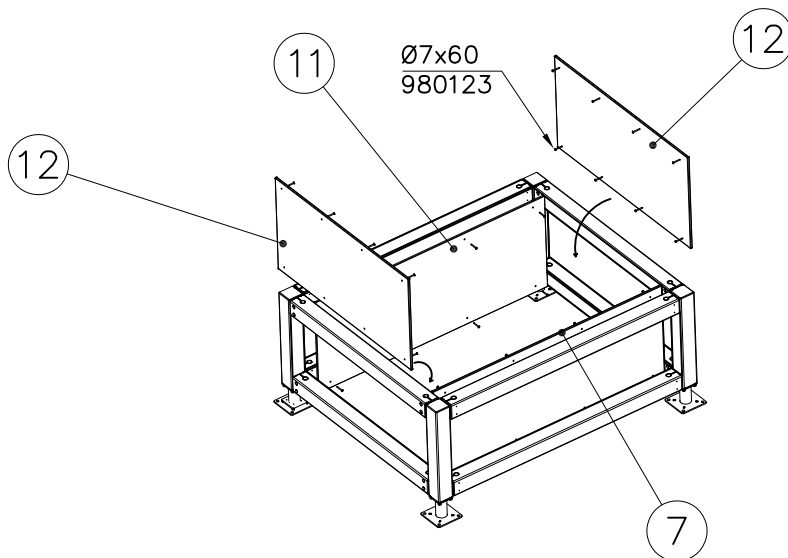
## FIRST FLOOR



NOTE:  
Use drill jig 708857  
to predrill  $\text{Ø}5\sqrt{50}$   
holes for 910266

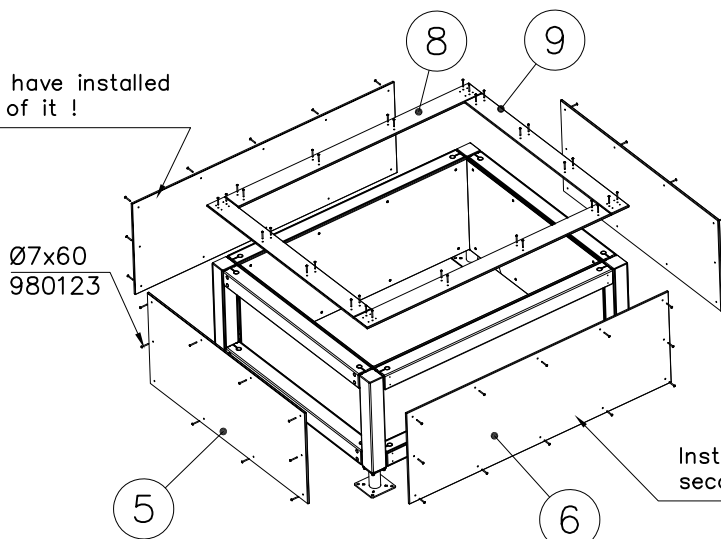


DET 2



DET 3

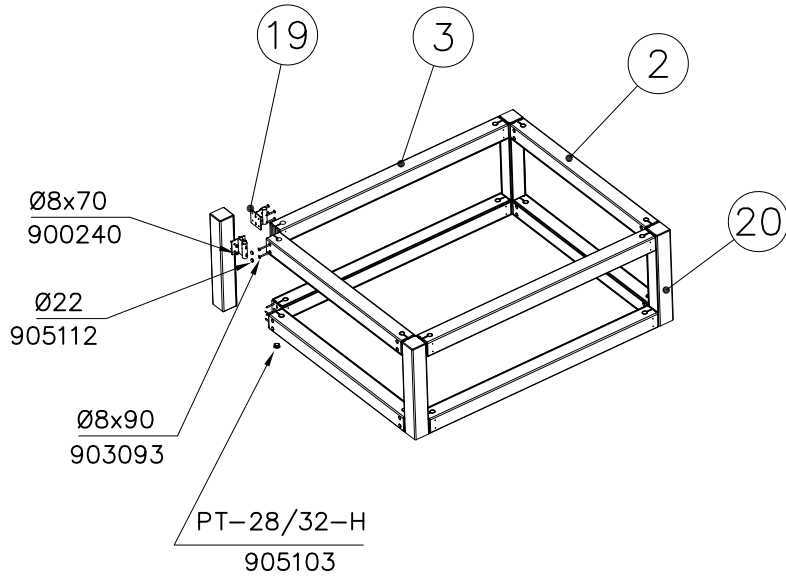
Install this once you have installed  
second floor on top of it !



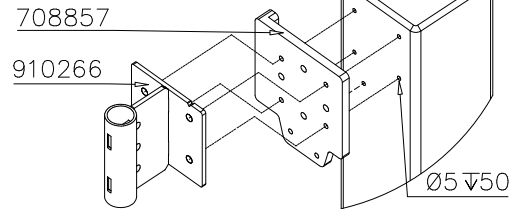
Install this once you have installed  
second floor on top of it !

DET 4

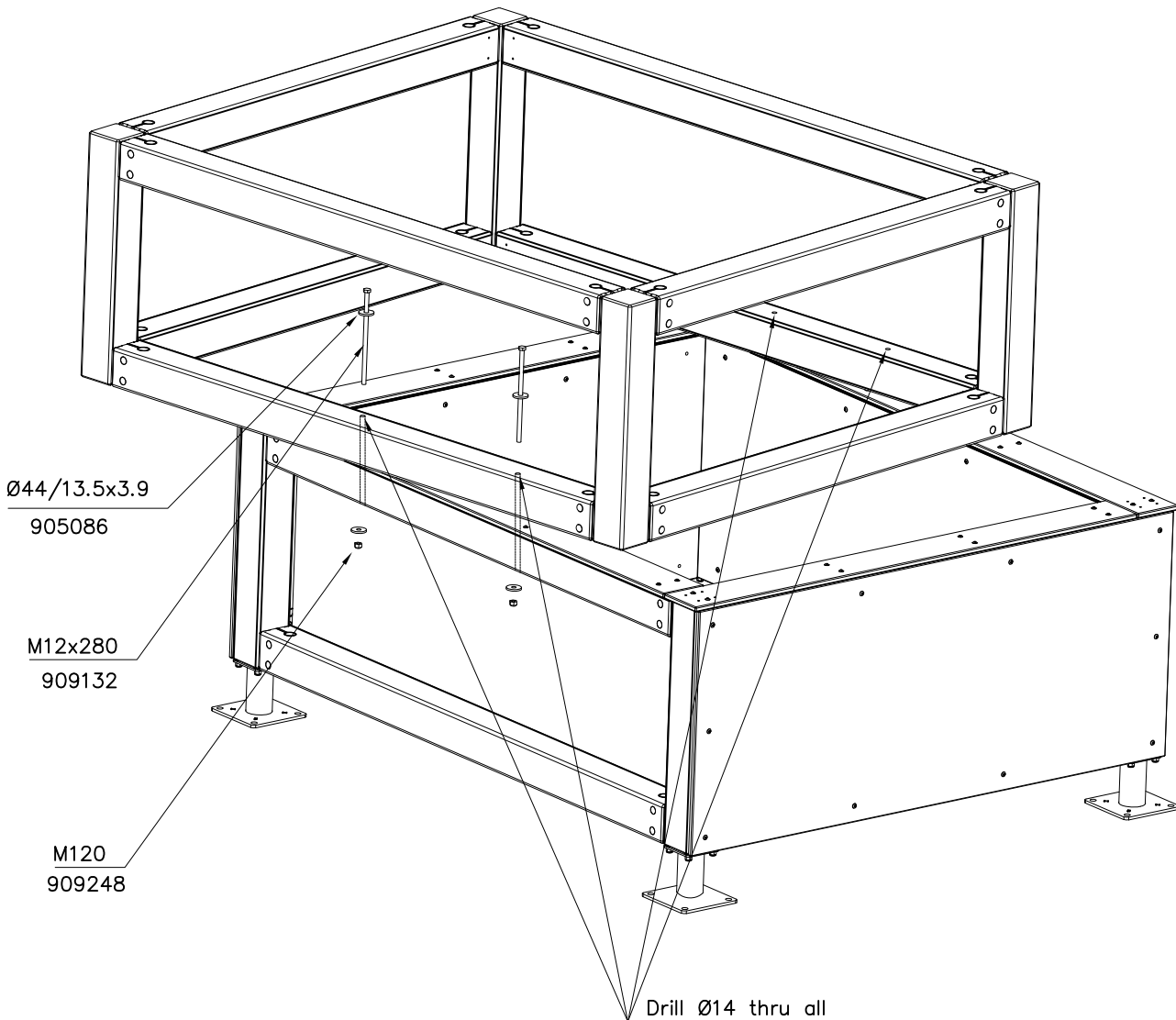
## SECOND FLOOR



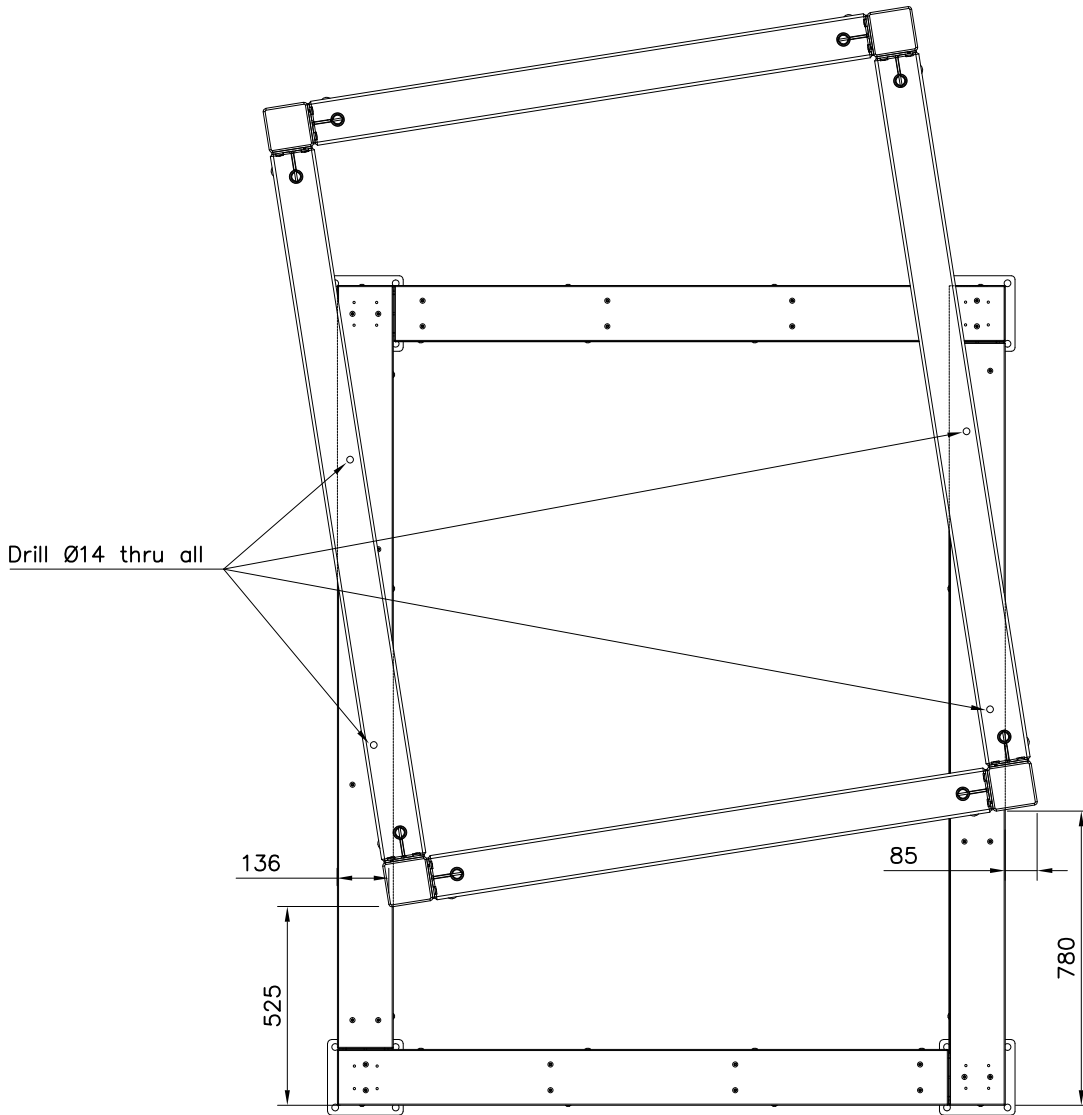
NOTE:  
Use drill jig 708857  
to predrill  $\text{Ø}5\sqrt{50}$   
holes for 910266



DET 5

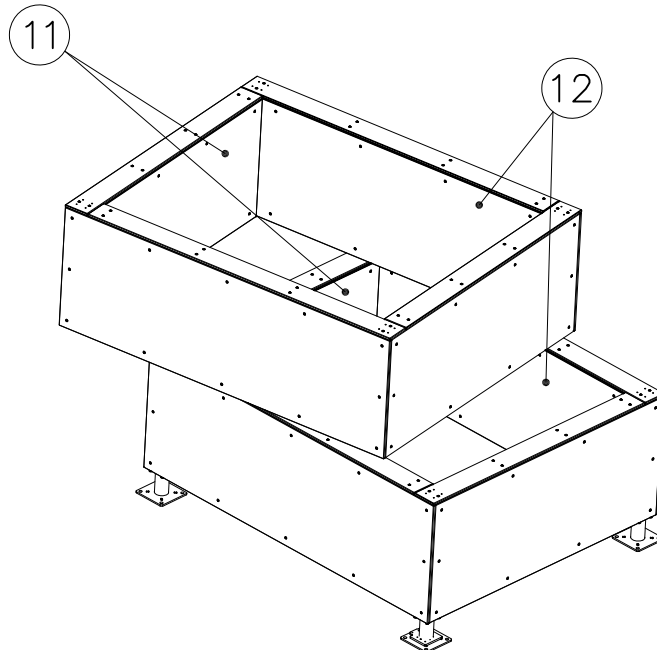


DET 6

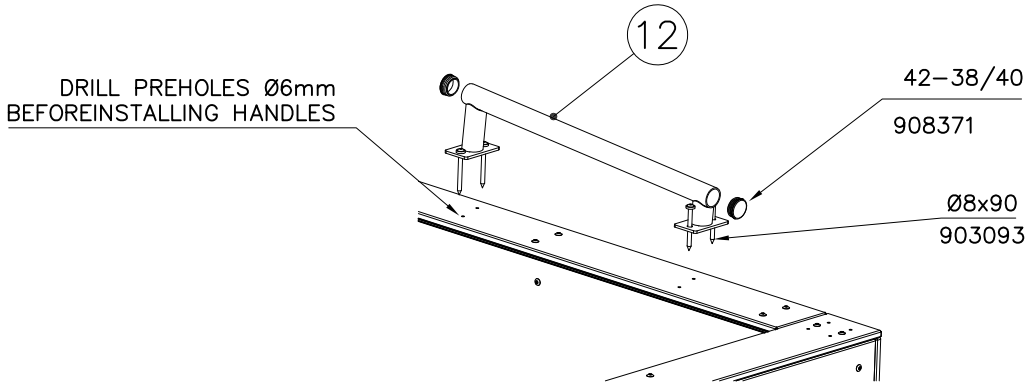


DET 7

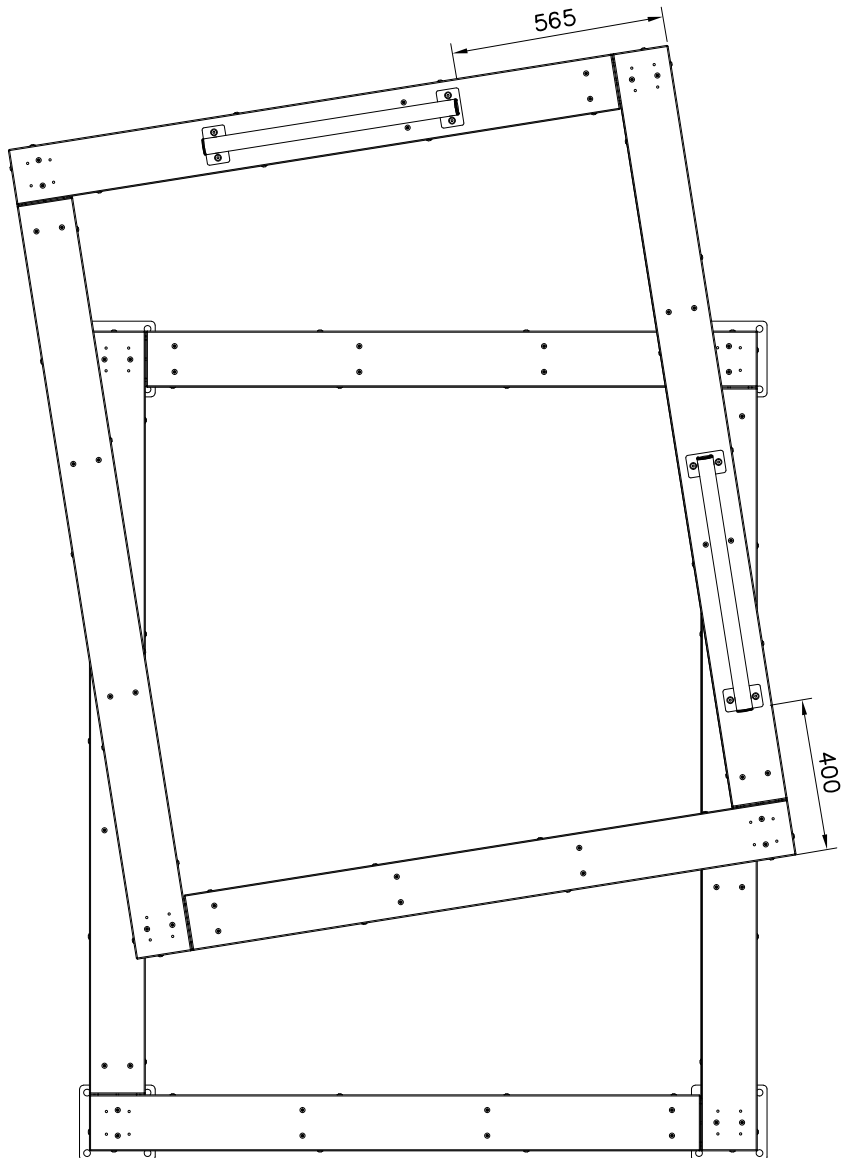
Install all plates

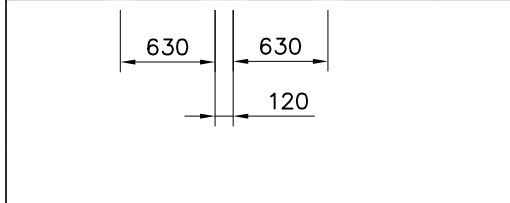
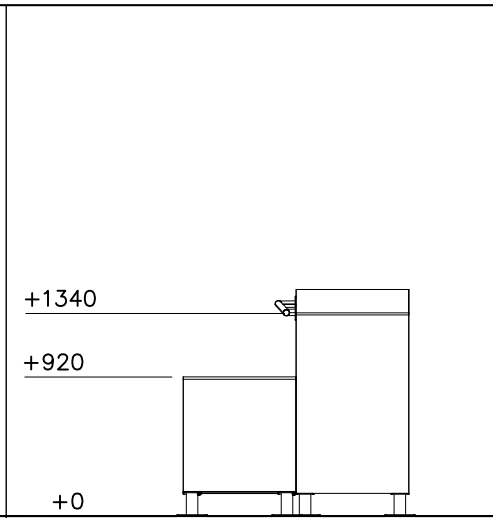
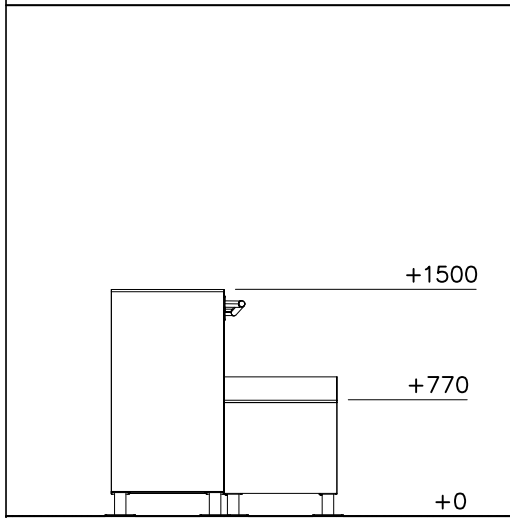
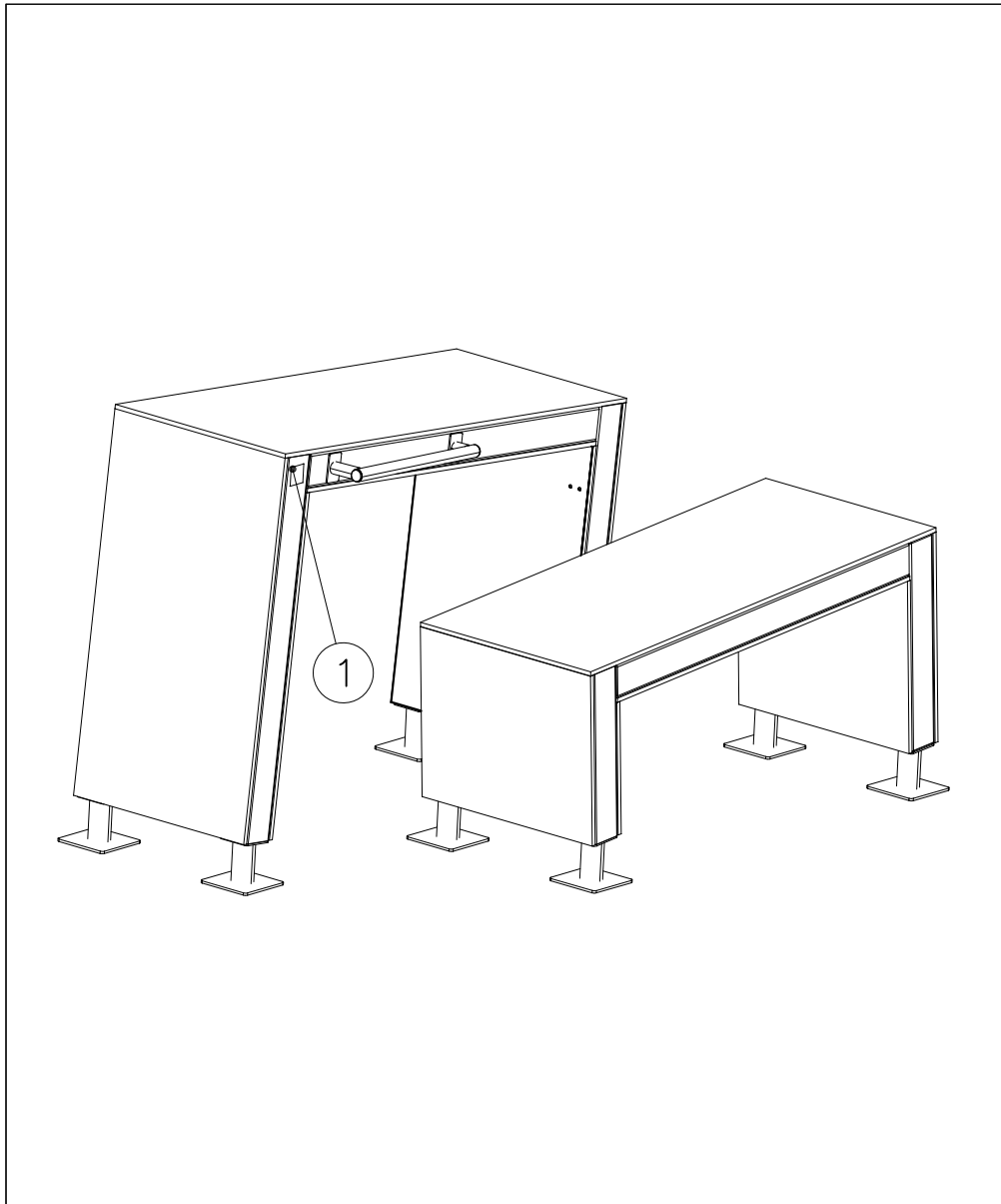



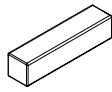





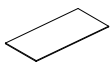
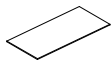
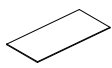
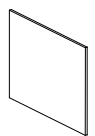
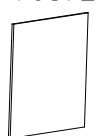
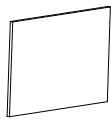
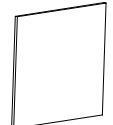
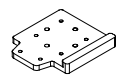

DET 8



DET 9



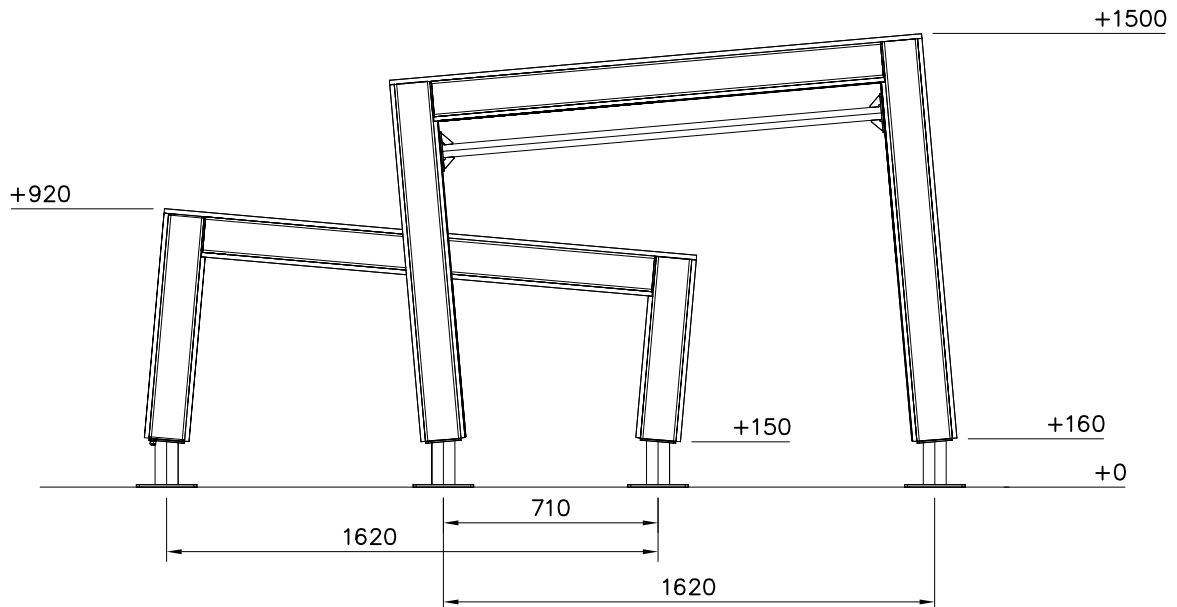


<p>① 702286</p>  <p>65x65</p>	<p>PCS</p> <p>1</p>	<p>② 707210</p>  <p>118x118x503</p>	<p>PCS</p> <p>8</p>
<p>③ 707213</p>  <p>118x118x1490</p>	<p>PCS</p> <p>4</p>	<p>④ 708042</p>  <p>118x118x1185</p>	<p>PCS</p> <p>2</p>
<p>⑤ 708125</p>  <p>118x118x1326</p>	<p>PCS</p> <p>2</p>	<p>⑥ 708127</p>  <p>118x118x603</p>	<p>PCS</p> <p>2</p>
<p>⑦ 708137</p>  <p>118x118x745</p>	<p>PCS</p> <p>2</p>	<p>⑧ 708721</p>  <p>15x745x1766</p>	<p>PCS</p> <p>2</p>
<p>⑨ 708723</p>  <p>15x745x1185</p>	<p>PCS</p> <p>1</p>	<p>⑩ 708724</p>  <p>15x745x1326</p>	<p>PCS</p> <p>1</p>
<p>⑪ 708725</p>  <p>15x603x745</p>	<p>PCS</p> <p>1</p>	<p>⑫ 708726</p>  <p>15x745x745</p>	<p>PCS</p> <p>1</p>
<p>⑬ 708834</p>  <p>15x745x470</p>	<p>PCS</p> <p>1</p>	<p>⑭ 708835</p>  <p>15x745x612</p>	<p>PCS</p> <p>1</p>
<p>⑮ 708857</p> <p>JIG</p>  <p>20x133x149</p>	<p>PCS</p> <p>1</p>	<p>⑯ 709204</p>  <p>15x745x1495</p>	<p>PCS</p> <p>1</p>

17	911303 COLOR	PCS 1	18	911305 COLOR	PCS 1	19	911307 COLOR	PCS 1	20	900240	PCS 76	21	903093	PCS 16	22	903533	PCS 6
15x745x1495			15x745x1192			15x745x1050			Ø8x70			Ø8x90			SRL12		
23	905086	PCS 2	24	905103	PCS 16	25	905112	PCS 16	26	908371	PCS 2	27	908698	PCS 16	28	909132	PCS 1
Ø44/13.5x3.9			PT-28/32-H			Ø22			42-38/40			3x114x108			M12x280		
29	909248	PCS 1	30	910056	PCS 1	31	910266	PCS 8	32	980123	PCS 88	33	910328	PCS 1	34	980100	PCS 96
M12			140x690			90x108x118			Ø7x60			L 1466			Ø5x60		
35	980114	PCS 4															
Ø4x20																	

FOOT OPTIONS

709261+		709262+	
○ 910267	PCS 8	○ 910567	PCS 8
SURFACE		CONCRETE	
152x200x200		117x117x715	

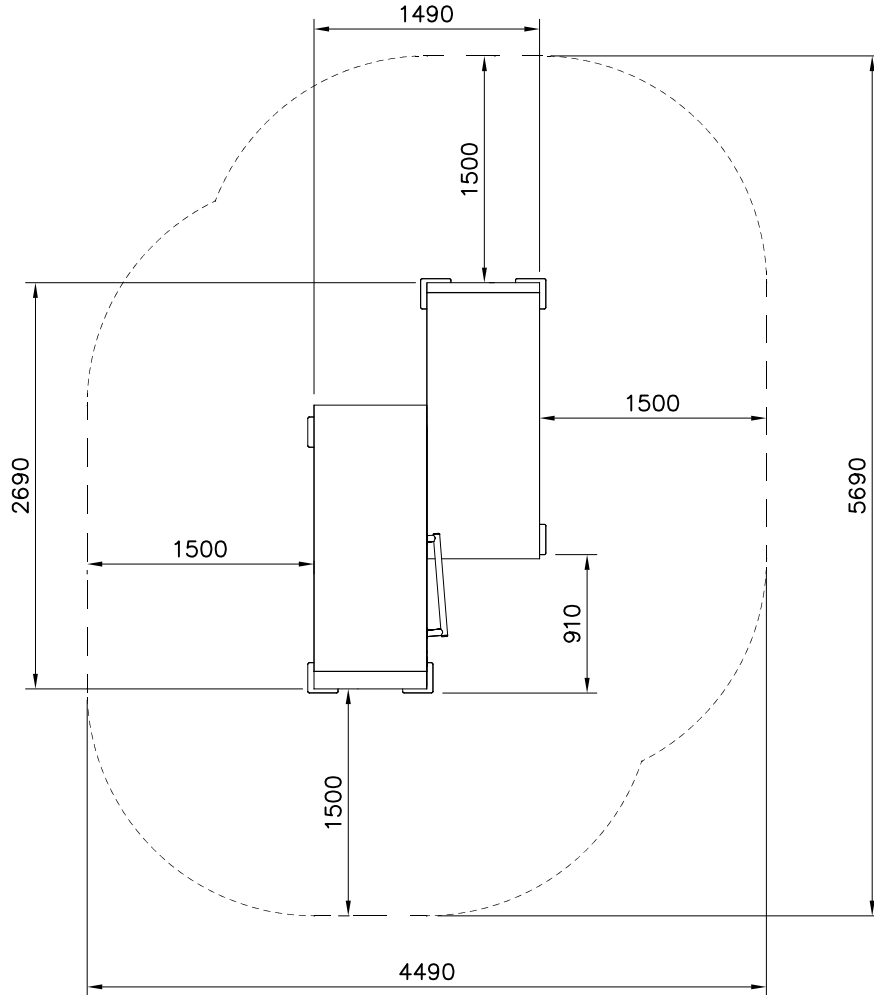




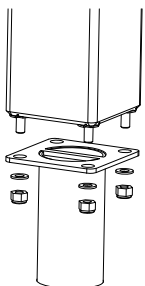
1:50



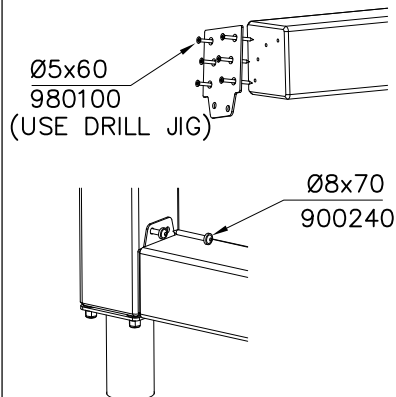
----- Falling Space 21.5 m<sup>2</sup>  
Max Falling Height 1500 mm



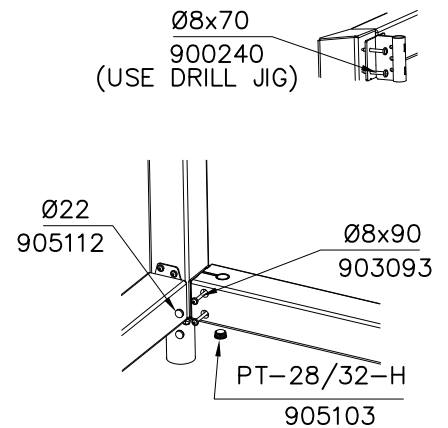
DET 1

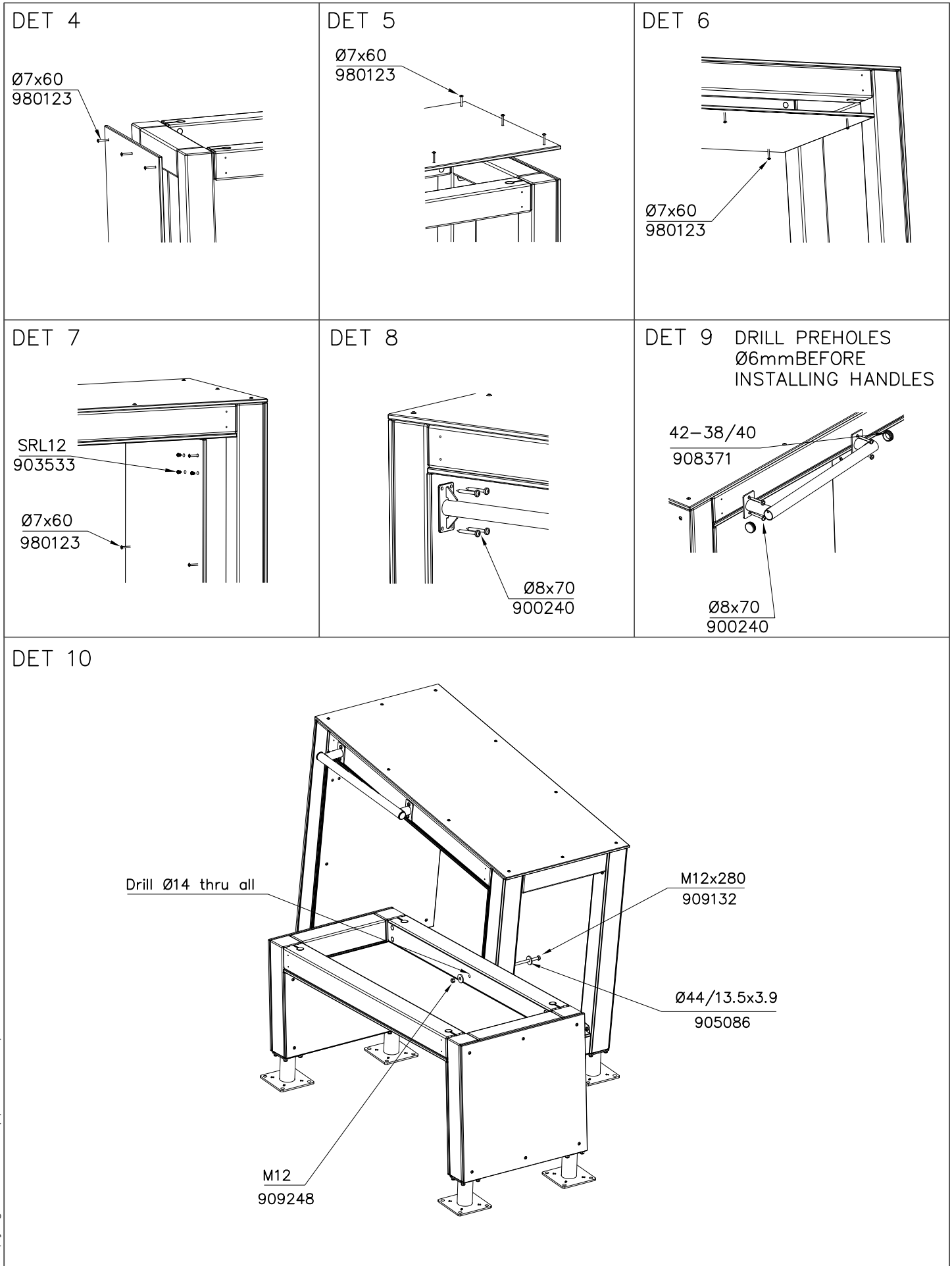


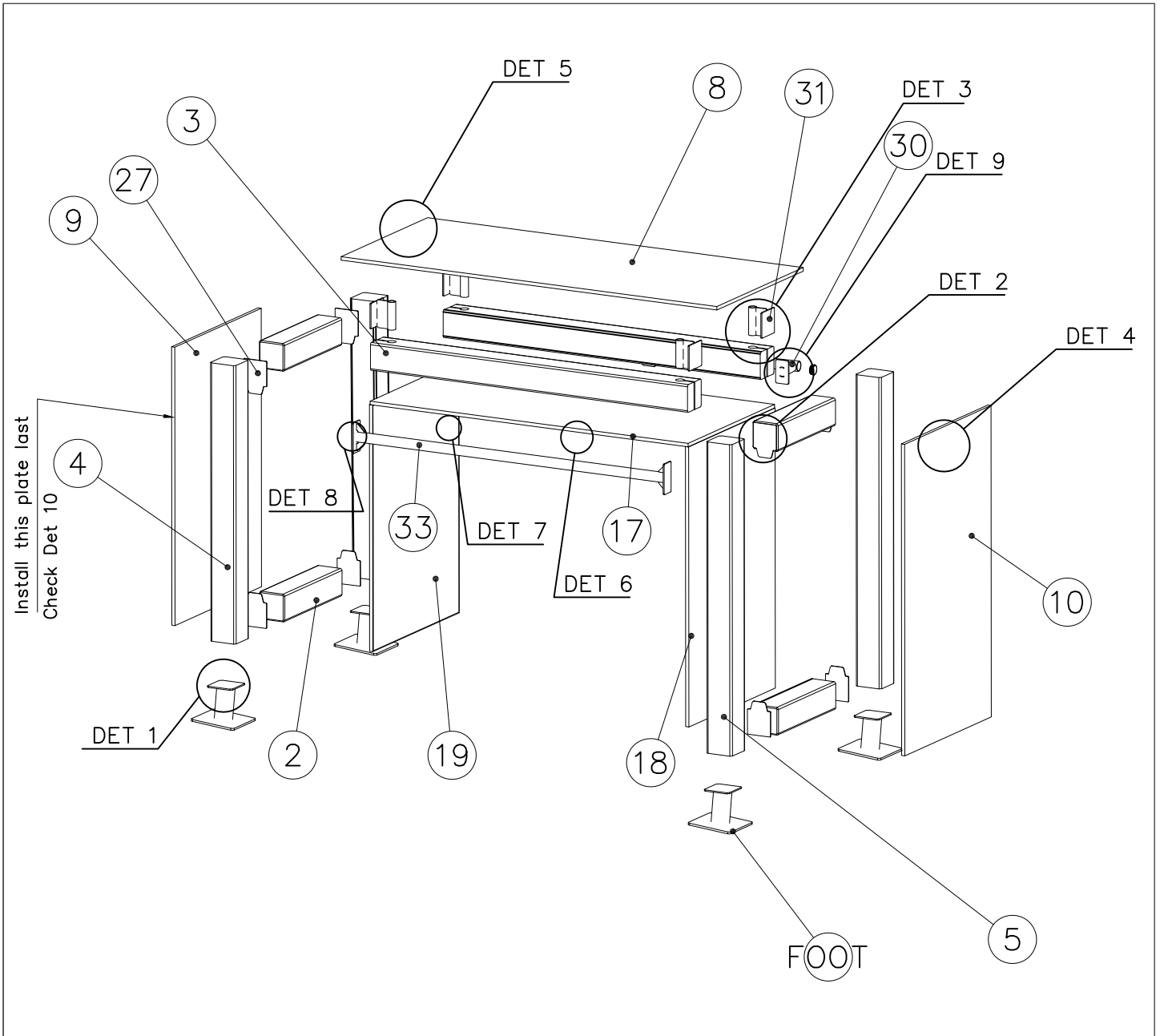
DET 2



DET 3



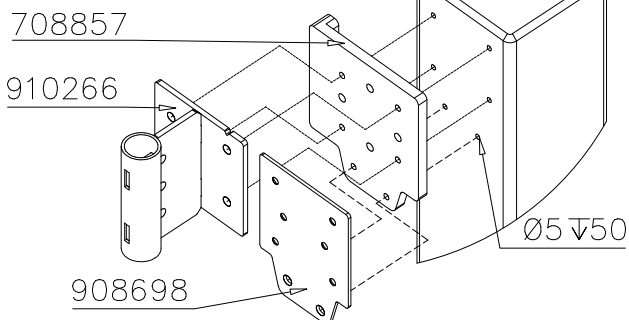




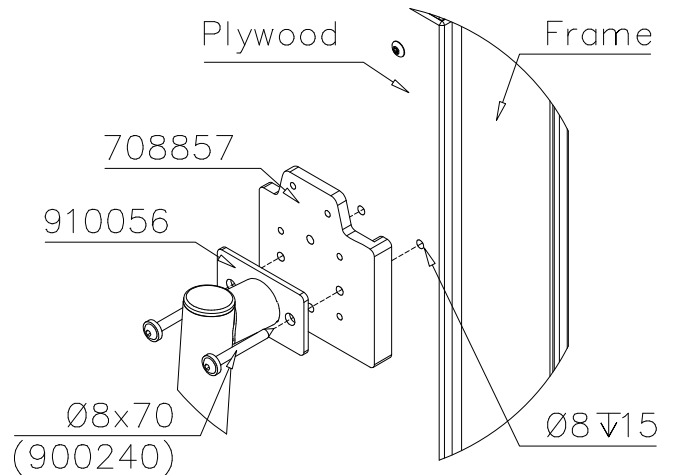
### JIG DET A (USE DET 2-3)

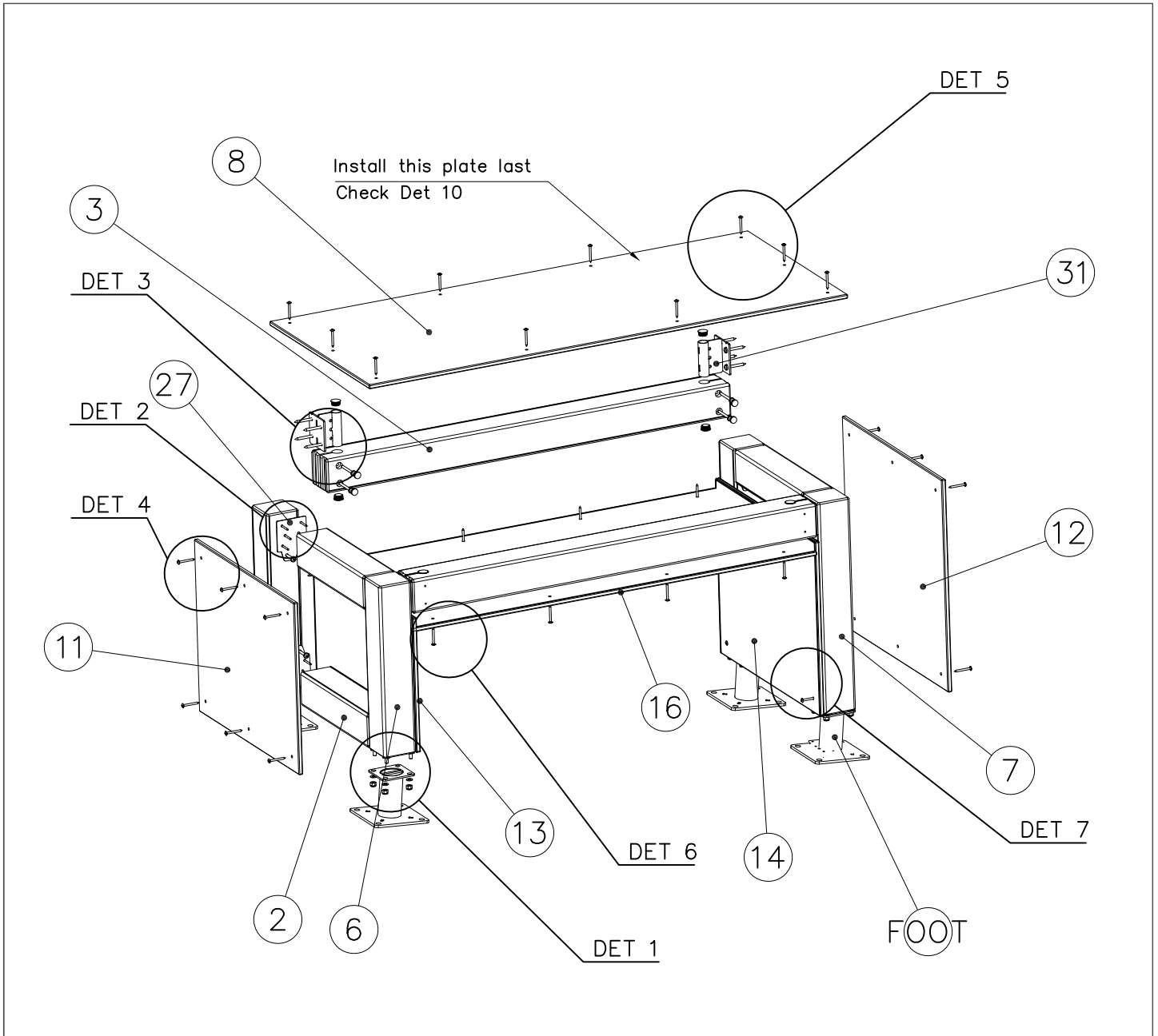
**NOTE:**

Use drill jig 708857 to predrill  $\text{Ø}5 \nabla 50$  holes for 910266 and 908698



### JIG DET B (USE DET 9)





### JIG DET A (USE DET 2-3)

**NOTE:**

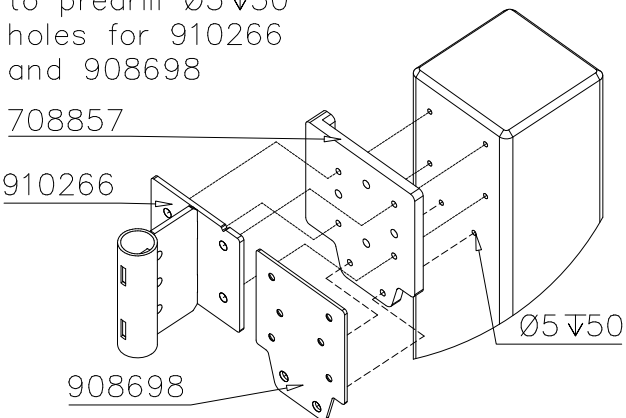
Use drill jig 708857  
to predrill  $\text{Ø}5 \nabla 50$   
holes for 910266  
and 908698

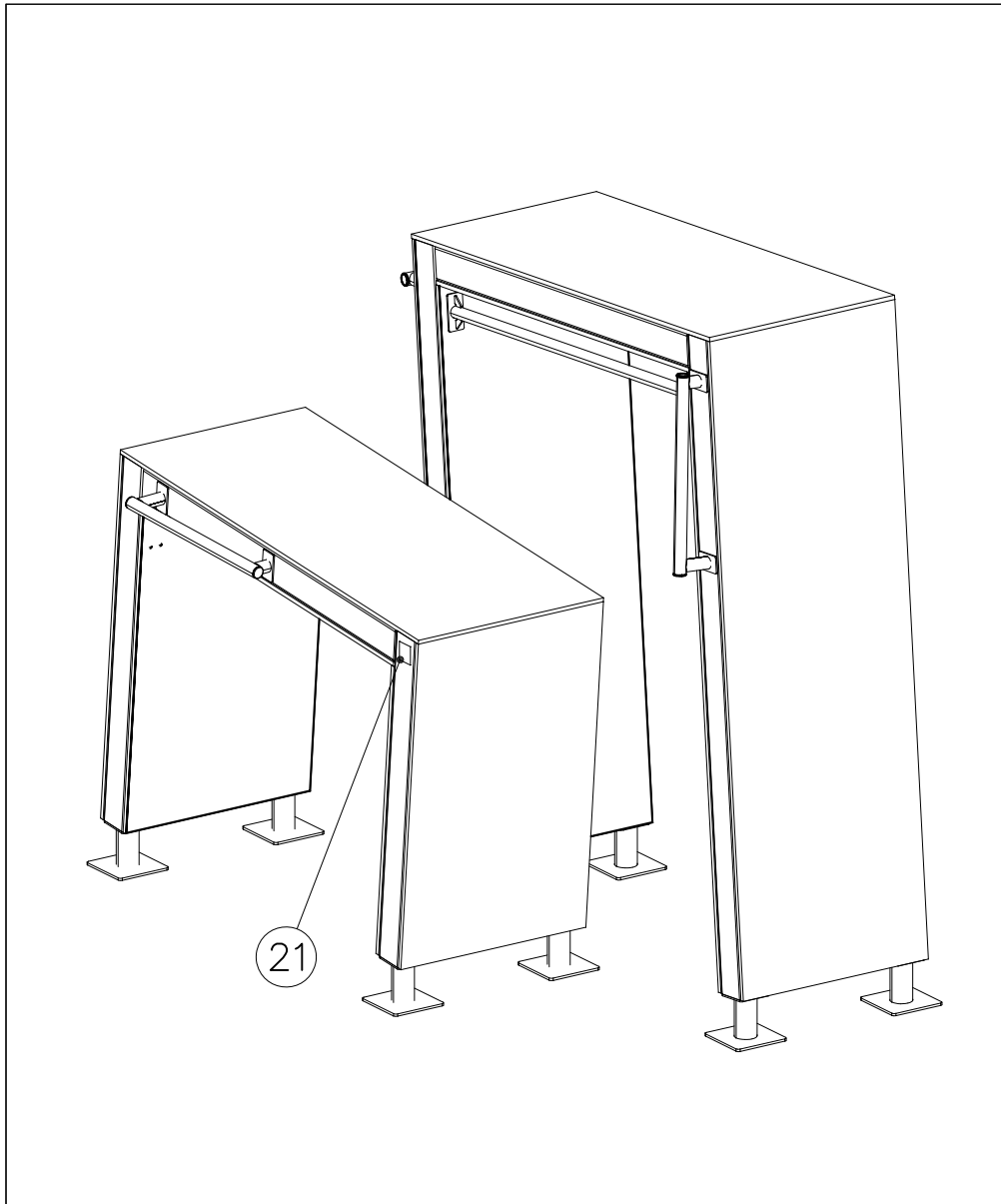
708857

910266

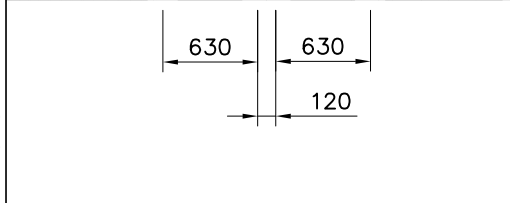
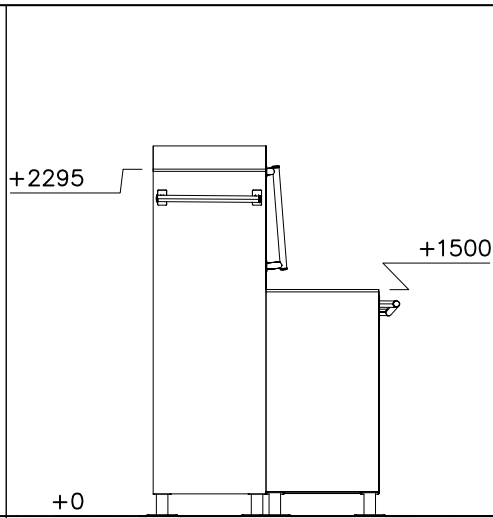
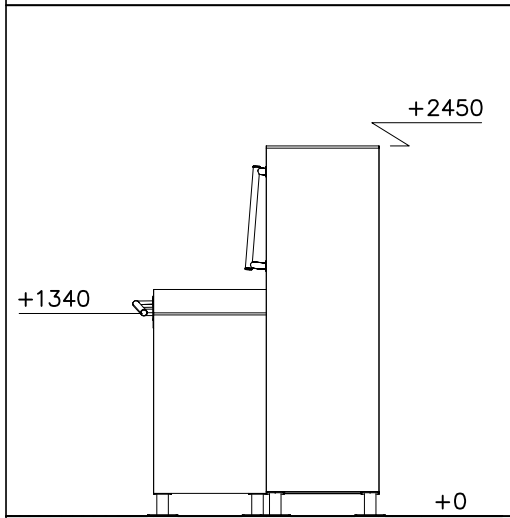
908698


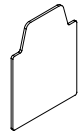
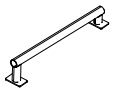
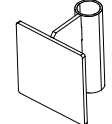
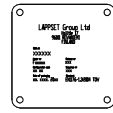



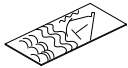
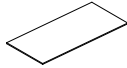




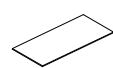




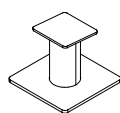

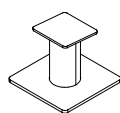

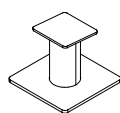

$\text{Ø}5 \nabla 50$

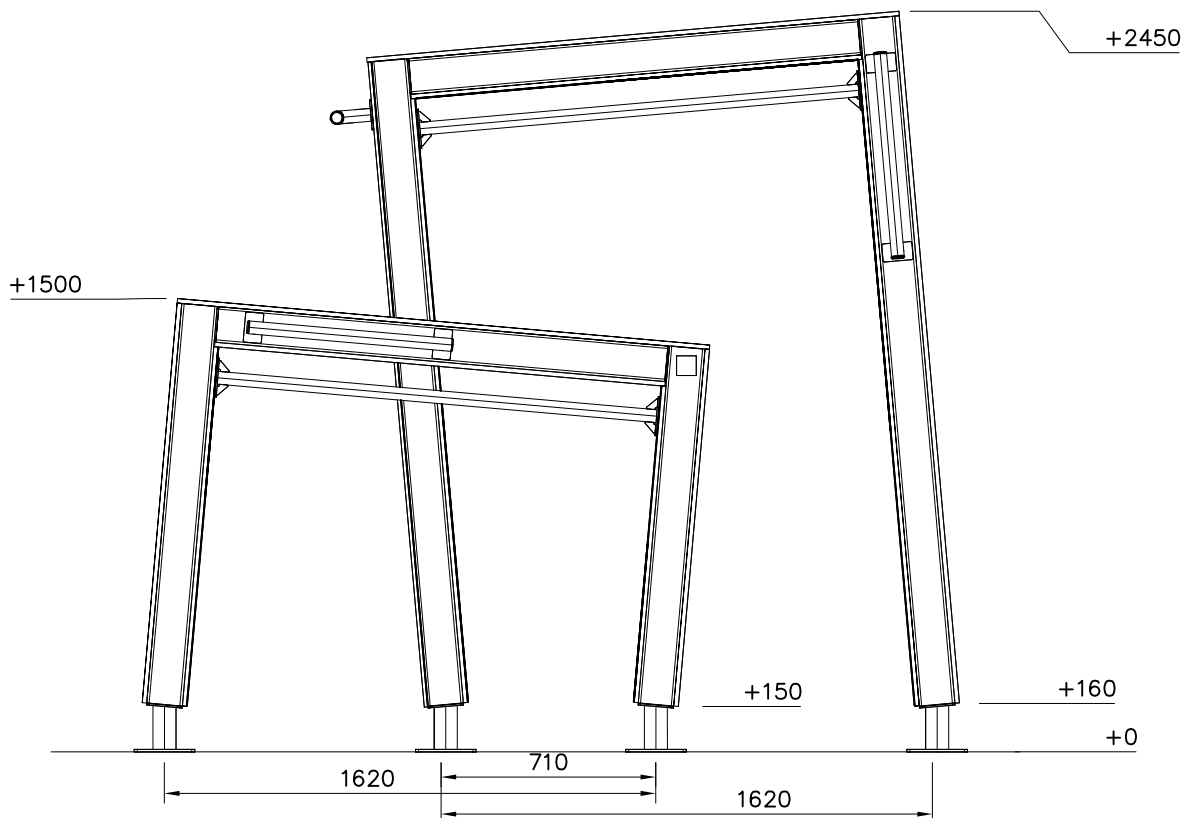




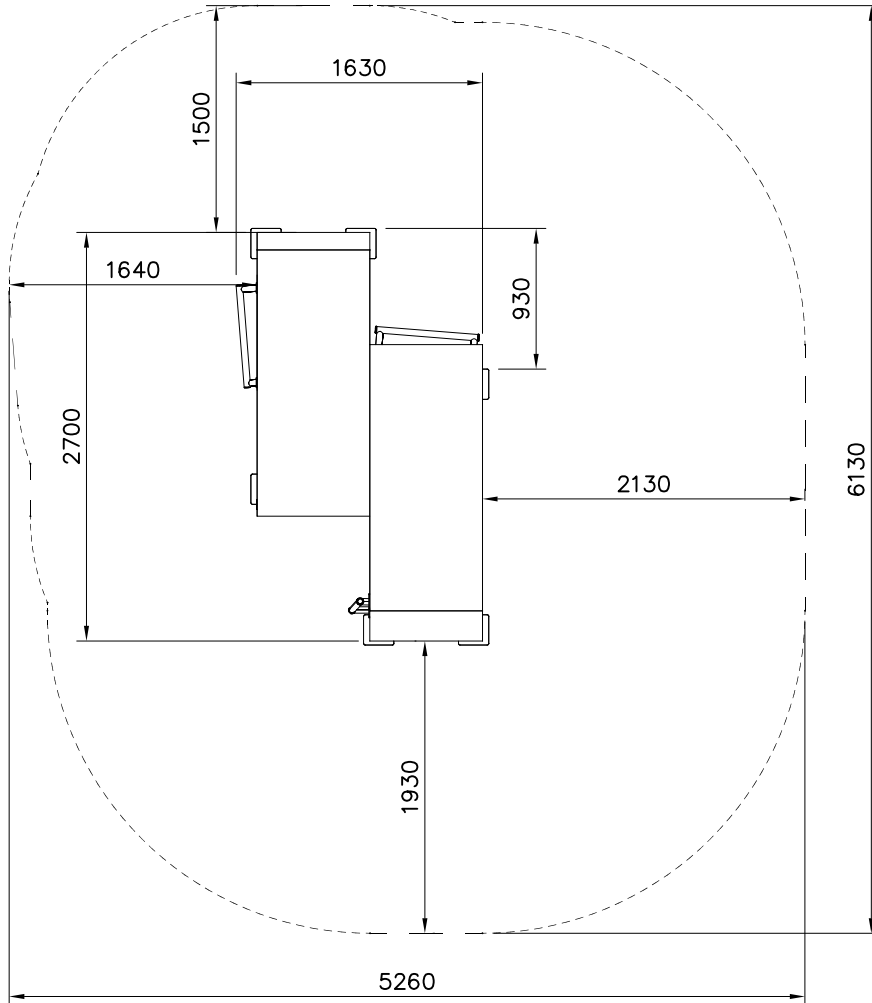
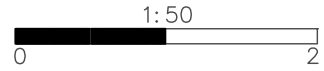
① 707210  118x118x503	PCS 8	② 707213  118x118x1490	PCS 4
③ 708042  118x118x1185	PCS 2	④ 708125  118x118x1326	PCS 2
⑤ 708522  118x118x2139	PCS 2	⑥ 708688  118x118x2279	PCS 2
⑦ 708721  15x745x1766	PCS 2	⑧ 708722  15x745x2280	PCS 1
⑨ 708723  15x745x1185	PCS 1	⑩ 708724  15x745x1326	PCS 1
⑪ 708857 JIG  20x133x149	PCS 1	⑫ 900240  Ø8x70	PCS 100
⑬ 903093  Ø8x90	PCS 16	⑭ 903533  SRL12	PCS 6
⑮ 905103  PT-28/32-H	PCS 16	⑯ 905112  Ø22	PCS 16



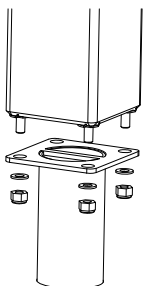
<p>17 908371 PCS 6</p>  <p>42-38/40</p>	<p>18 908698 PCS 16</p>  <p>3x114x108</p>	<p>19 910056 PCS 3</p>  <p>140x690</p>	<p>20 910266 PCS 8</p>  <p>90x108x118</p>	<p>21 702286 PCS 1</p>  <p>65x65</p>	<p>22 910328 PCS 3</p>  <p>L 1466</p>		
<p>23 980100 PCS 96</p>  <p>Ø5x60</p>	<p>24 980123 PCS 106</p>  <p>Ø7x60</p>	<p>25 911297 MURAL PCS 1</p>  <p>12x745x2140</p>	<p>26 911293 COLOR PCS 1</p>  <p>15x745x2145</p>	<p>27 911295 COLOR PCS 1</p>  <p>15x745x2004</p>	<p>28 911301 COLOR PCS 1</p>  <p>15x745x1495</p>		
<p>29 911103 COLOR PCS 1</p>  <p>15x745x1495</p>	<p>30 911305 COLOR PCS 1</p>  <p>15x745x1192</p>	<p>31 911307 COLOR PCS 1</p>  <p>15x745x1050</p>	<p>32 905086 PCS 2</p>  <p>Ø44/13.5x3.9</p>	<p>33 909132 PCS 1</p>  <p>M12x280</p>	<p>34 909248 PCS 1</p>  <p>M12</p>		
<p>35 980114 PCS 4</p>  <p>Ø4x20</p>	<p>FOOT OPTIONS</p> <p>709261+      709262+</p> <table border="1"> <tbody> <tr> <td> <p>910267 SURFACE PCS 8</p>  <p>152x200x200</p> </td> <td> <p>910567 CONCRETE PCS 8</p>  <p>117x117x715</p> </td> </tr> </tbody> </table>					<p>910267 SURFACE PCS 8</p>  <p>152x200x200</p>	<p>910567 CONCRETE PCS 8</p>  <p>117x117x715</p>
<p>910267 SURFACE PCS 8</p>  <p>152x200x200</p>	<p>910567 CONCRETE PCS 8</p>  <p>117x117x715</p>						



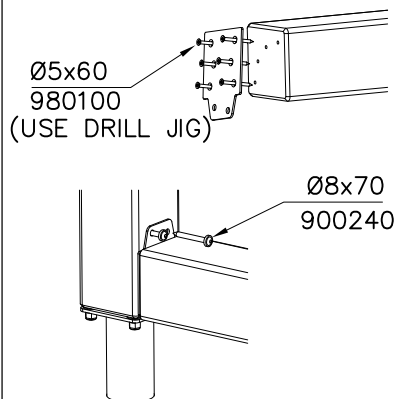
- EN Impact Attenuating Surface (IAS) 27.6 m<sup>2</sup>
- - - - Falling Space 27.6 m<sup>2</sup>
- Max Falling Height 2450 mm



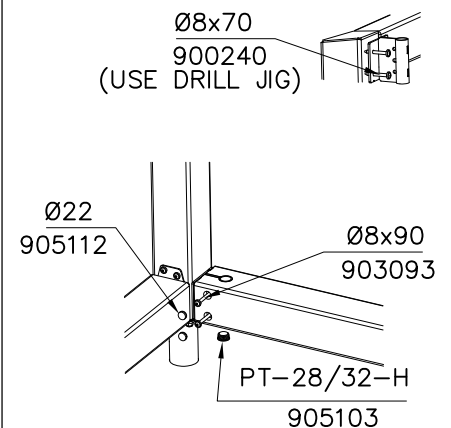
DET 1



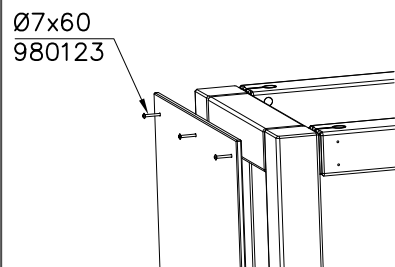
DET 2



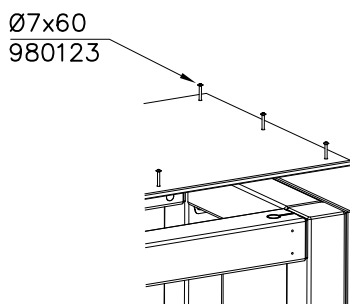
DET 3



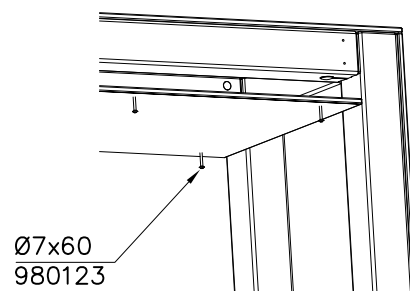
DET 4



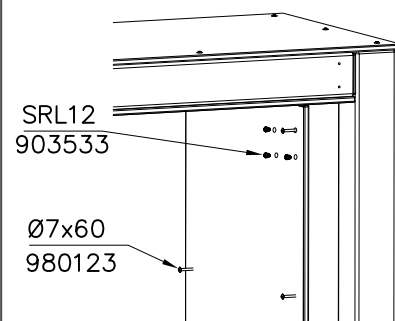
DET 5



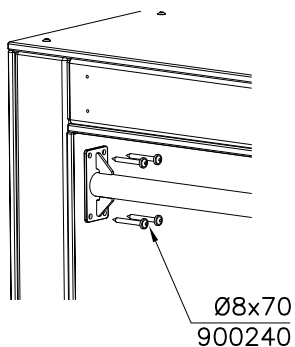
DET 6



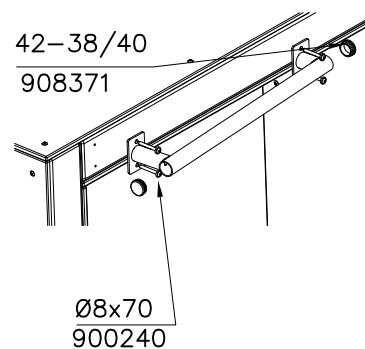
DET 7



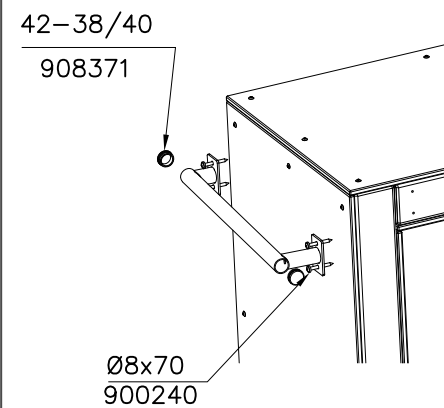
DET 8



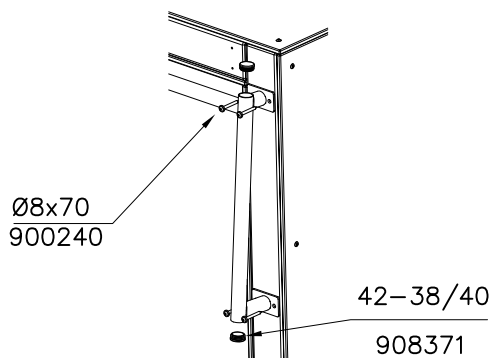
DET 9 DRILL PREHOLES  
Ø6mm BEFORE  
INSTALLING HANDLES



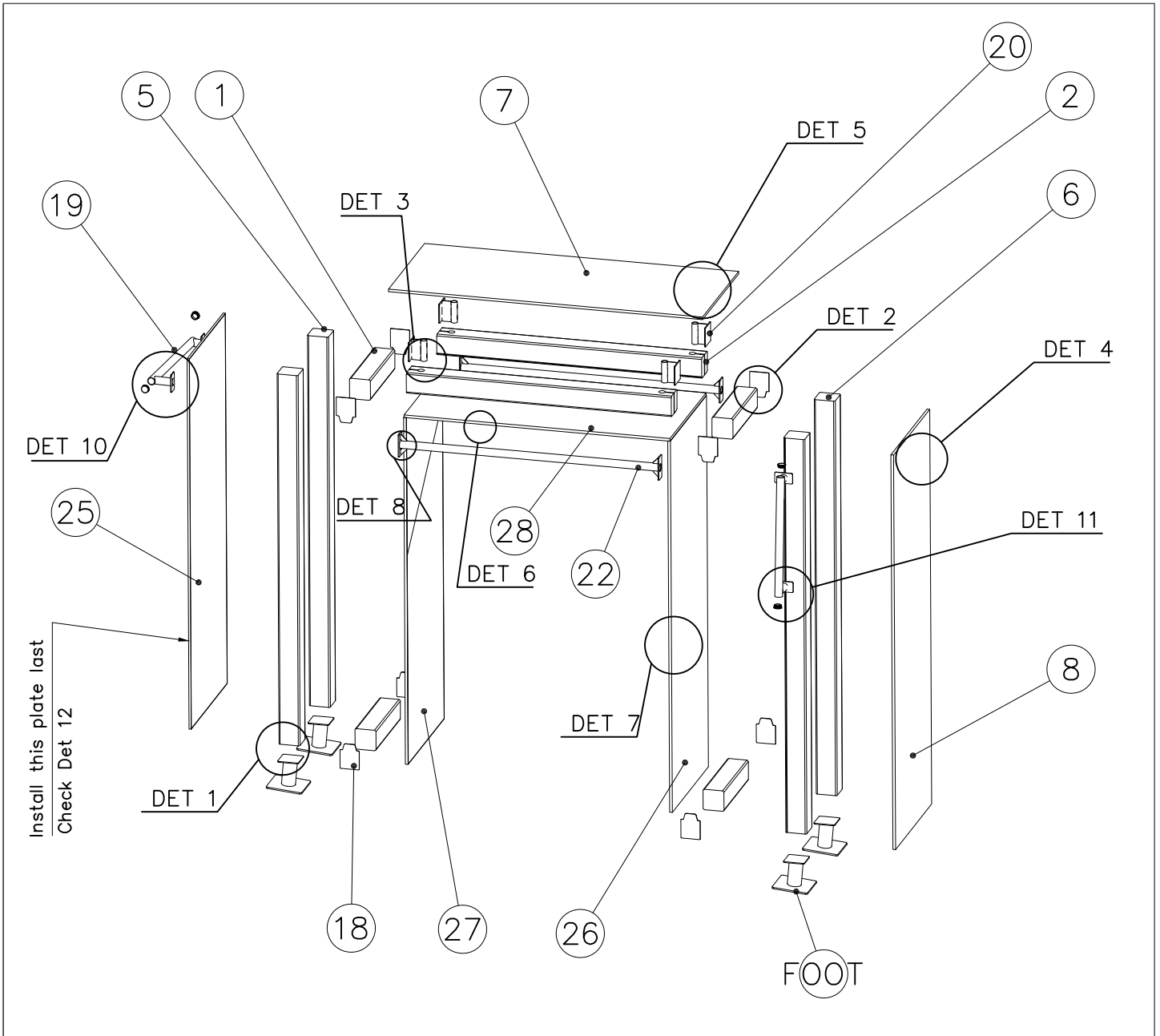
DET 10



DET 11 DRILL PREHOLES BEFORE INSTALLING HANDLES







### JIG DET A (USE DET 2-3)

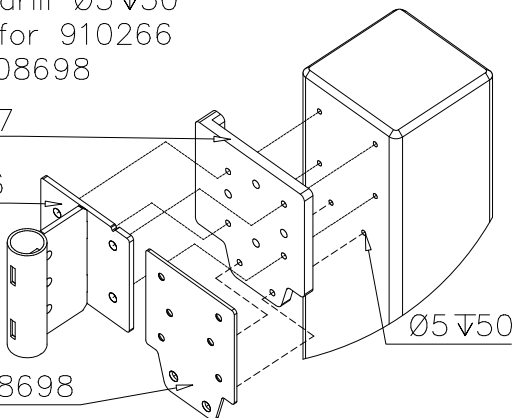
**NOTE:**

Use drill jig 708857 to predrill  $\text{Ø}5 \nabla 50$  holes for 910266 and 908698

708857

910266

908698



### JIG DET B (USE DET 11)

Plywood

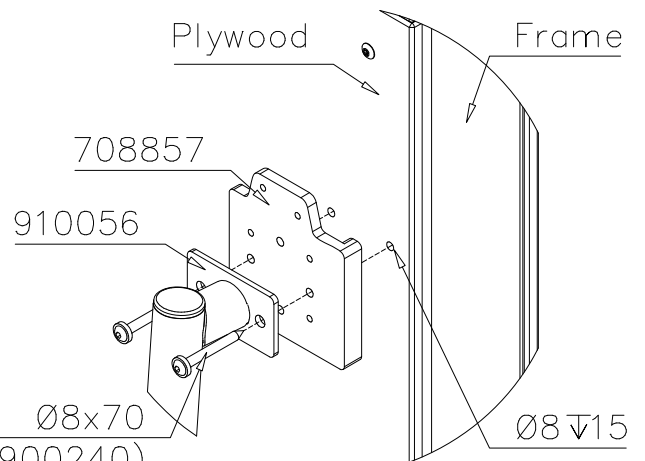
Frame

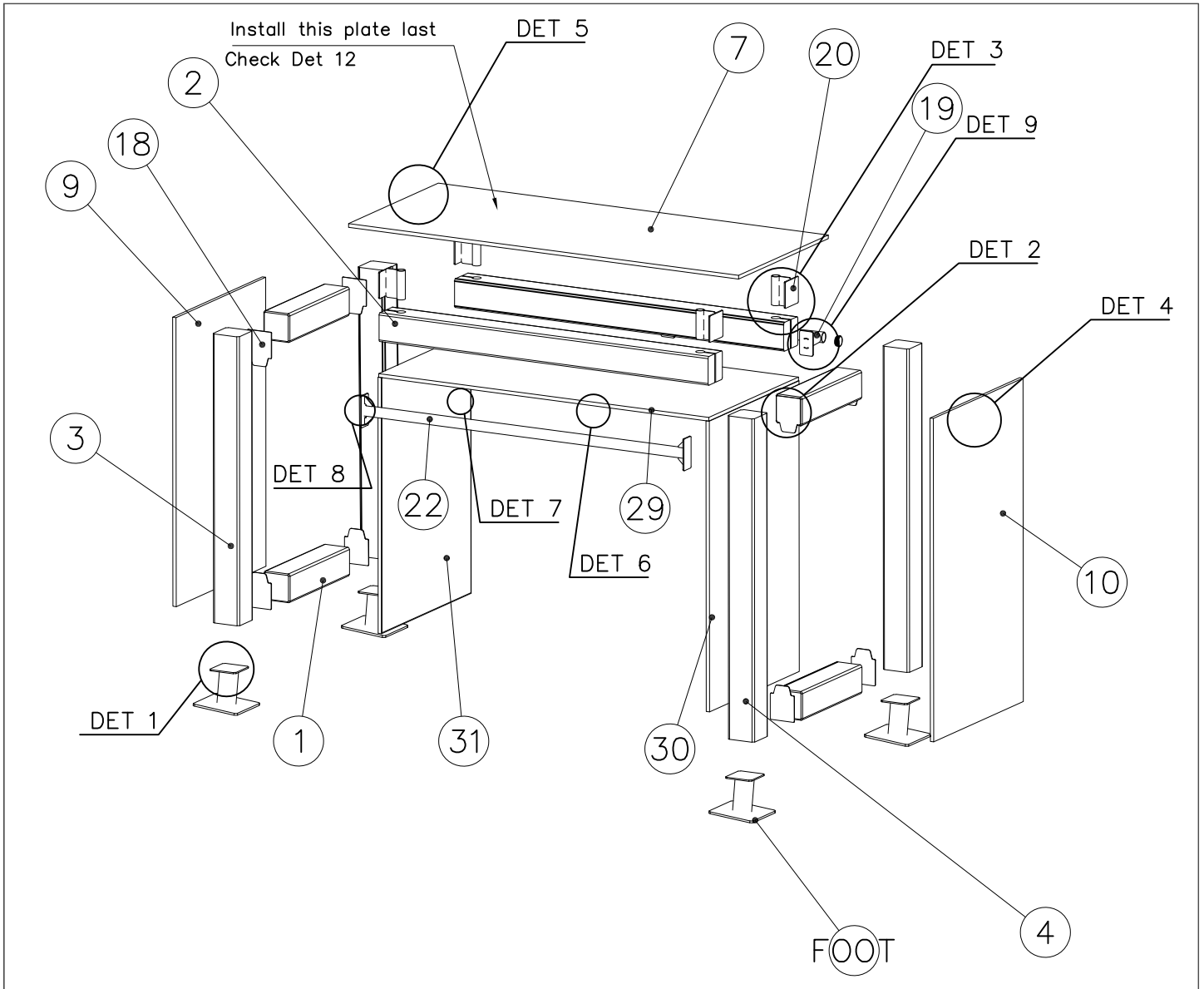
708857

910056

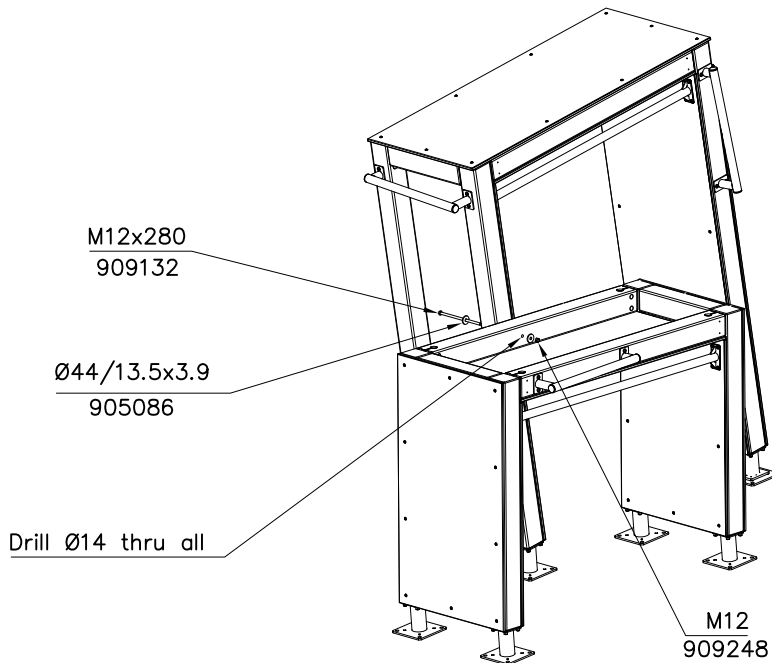
$\text{Ø}8 \times 70$   
(900240)

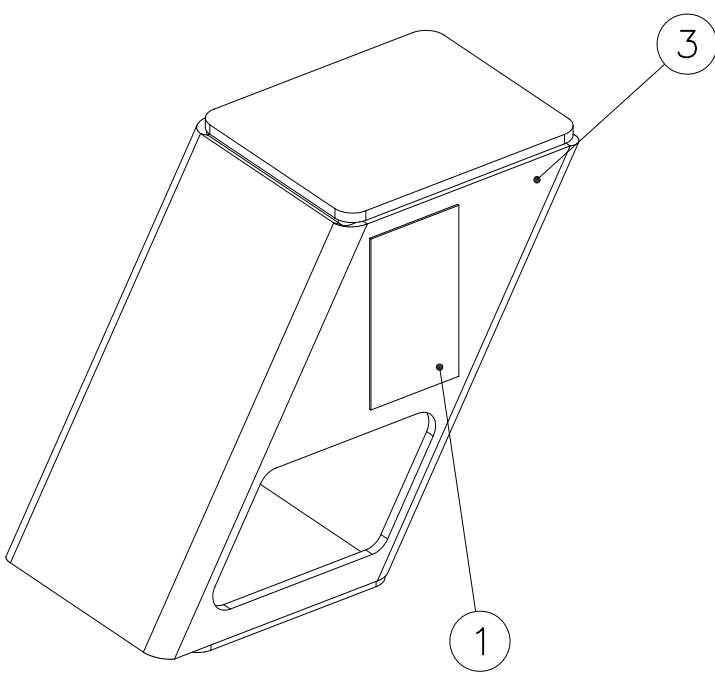
$\text{Ø}8 \nabla 15$

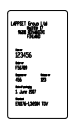
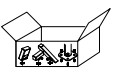
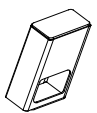





DET 12



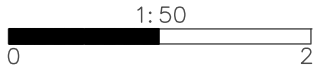
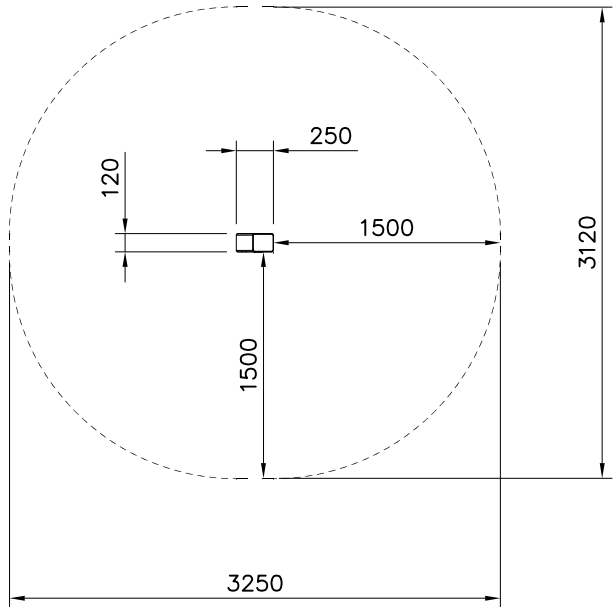
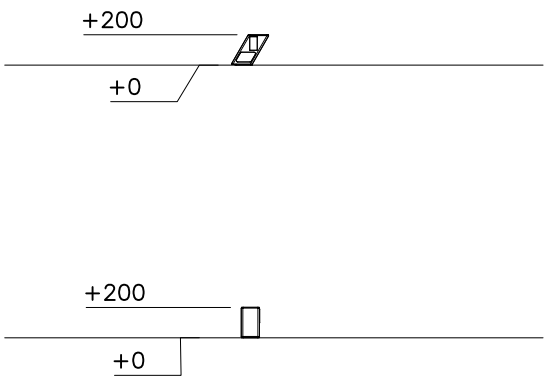


① 702341	PCS	② 709381	PCS
	1		2
90x50		SURFACE	
		③ 910219	PCS
			1
		120x120x200	

FOOT OPTION FOR DEEP MOUNTING

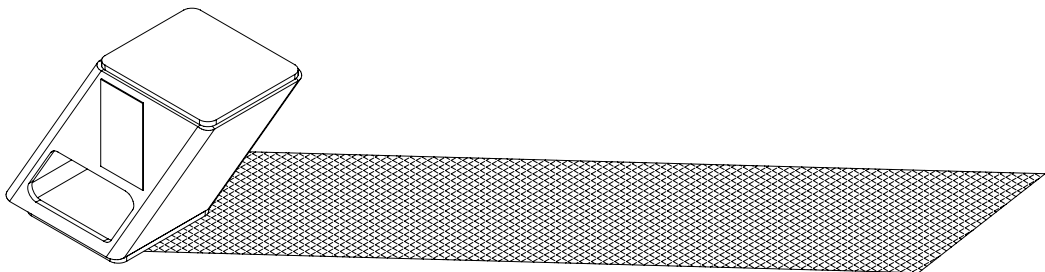
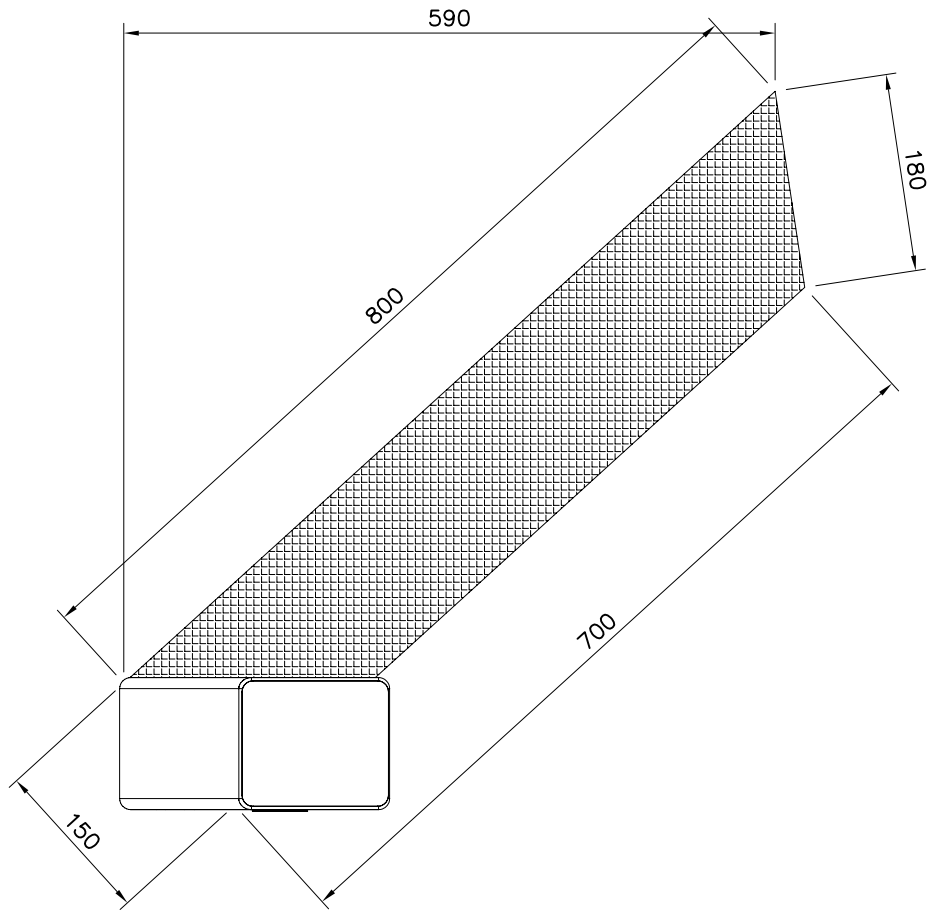
709379+		④ 902564	PCS
			1
L 550			

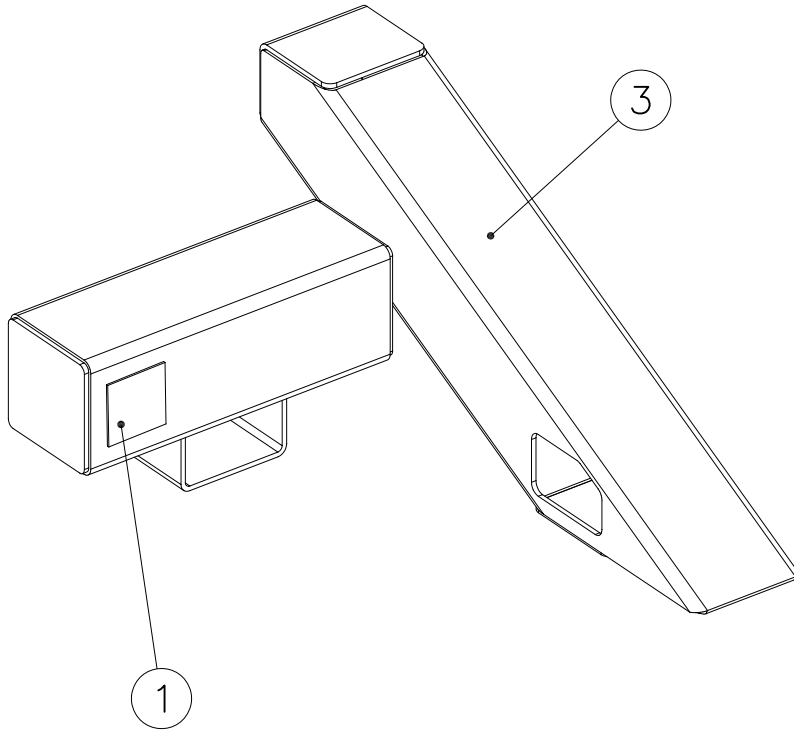
----- Falling Space 8.2 m2  
Max Falling Height 200 mm

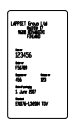





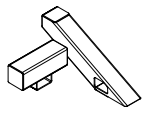
Copyright Lappset Group Ltd

Shadow lines




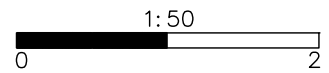


① 702341	PCS	② 709381	PCS
	1		2
90x50		SURFACE	

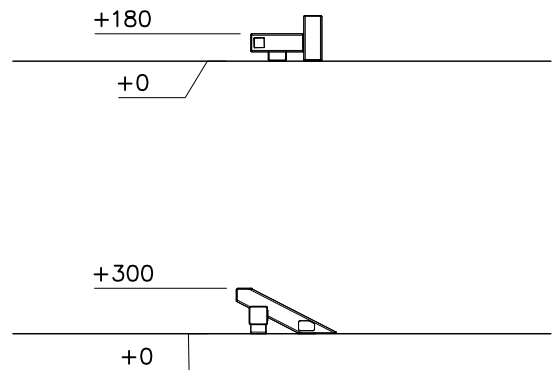
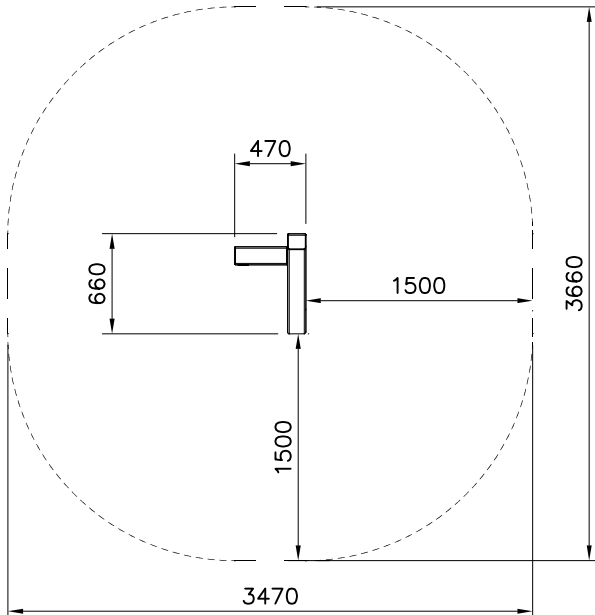
③ 910220	PCS
	1
300x470x662	

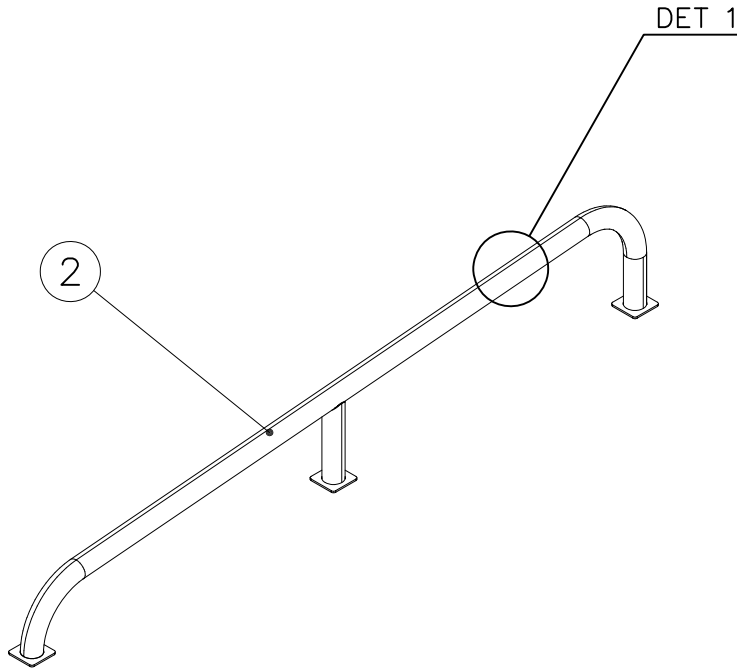
FOOT OPTION FOR DEEP MOUNTING


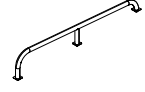
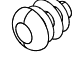
709379+	
○ 902564	PCS
	2
L 550	



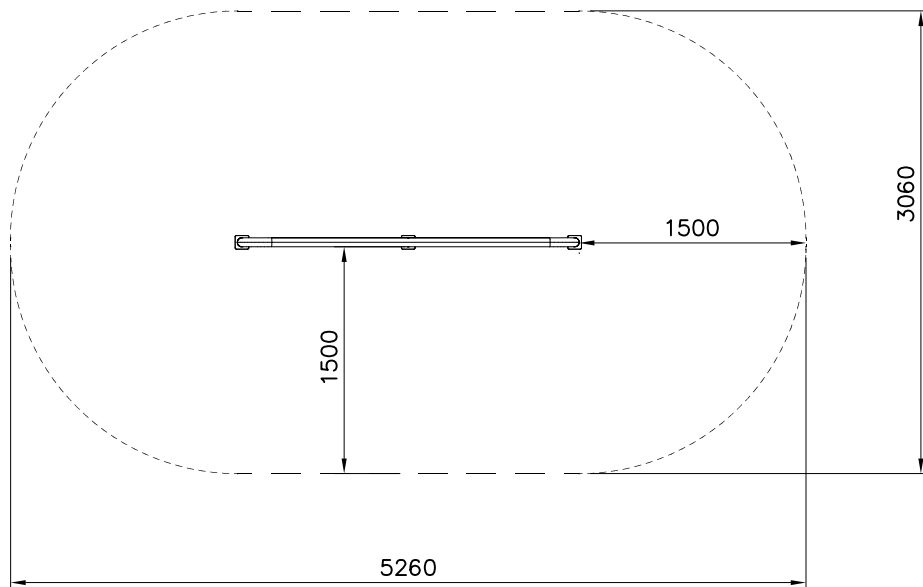
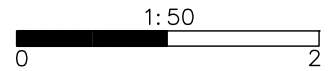
----- Falling Space 10.8 m<sup>2</sup>  
 Max Falling Height 300 mm

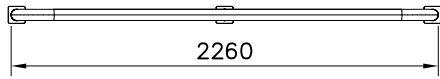
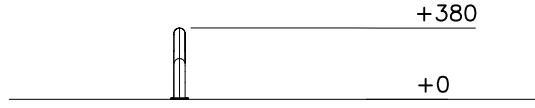
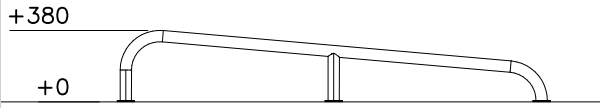




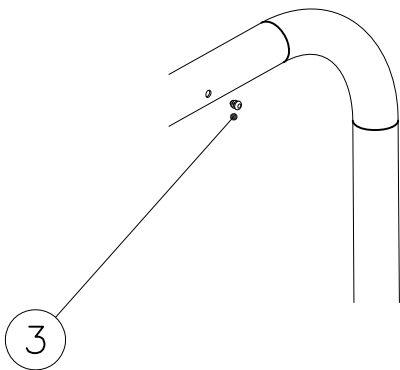
① 702341  90x50	PCS	② 910253  Ø60x376x2290	PCS
	1		1
③ 903533  SRL12	PCS		PCS
	4		

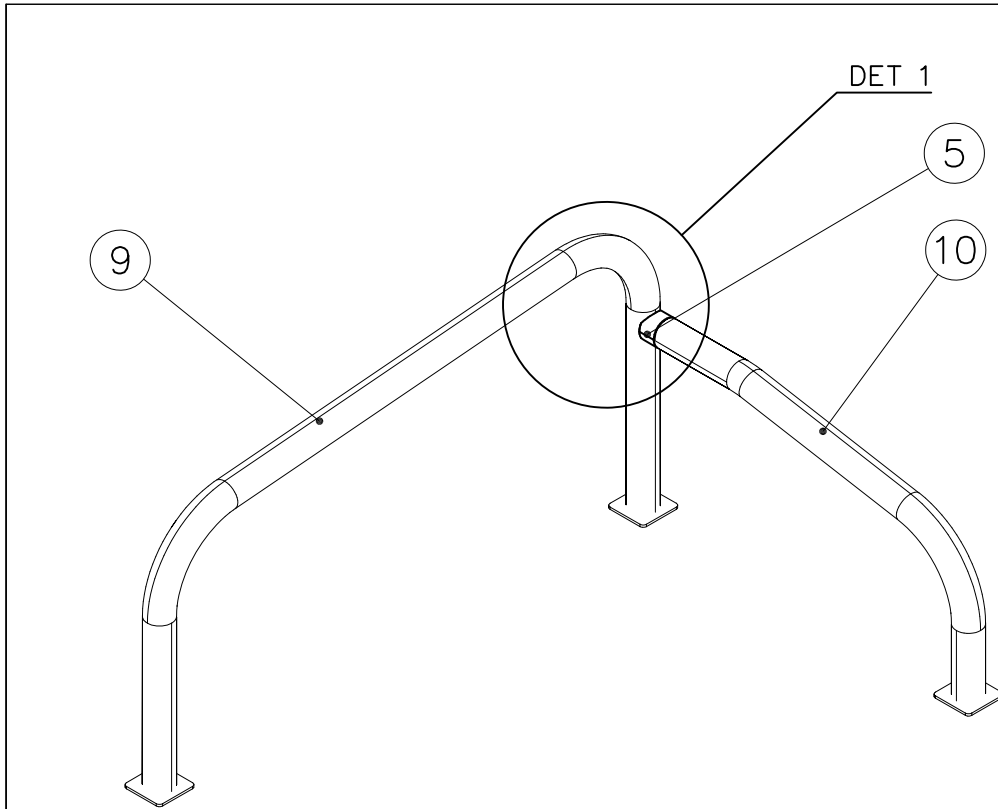
----- Falling Space 14.2 m<sup>2</sup>  
 Max Falling Height 380 mm



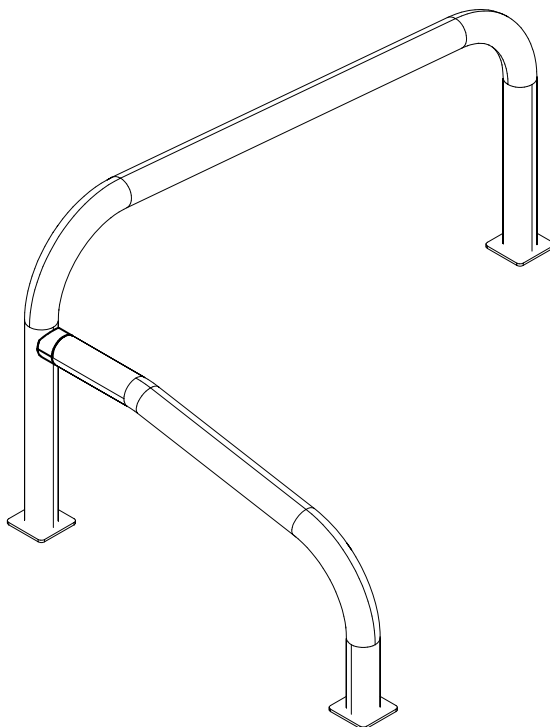


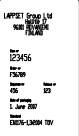

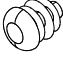
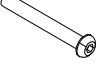
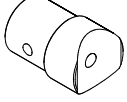
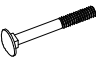



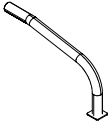

DET 1






OPTION LEFT-HANDED

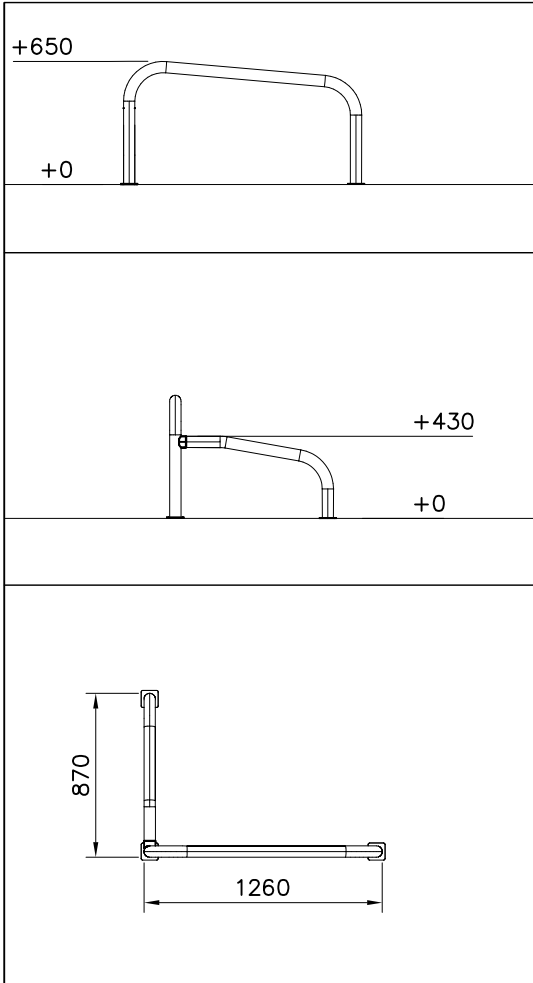


①	702341	PCS	②	900965	PCS
		1			1
	90x50		M10		
③	903533	PCS	④	904133	PCS
		4			1
	SRL12		M10x80		
⑤	908069	PCS	⑥	909111	PCS
		1			1
	Ø60x87.6		M12x100		
⑦	909248	PCS	⑧	909638	PCS
		1			4
	M12		Ø20/10.5		
⑨	910254	PCS	⑩	910262	PCS
		1			1
	Ø60x650x1290		Ø60x435x795		
⑪	980154	PCS			PCS
		1			
	Ø24/13				

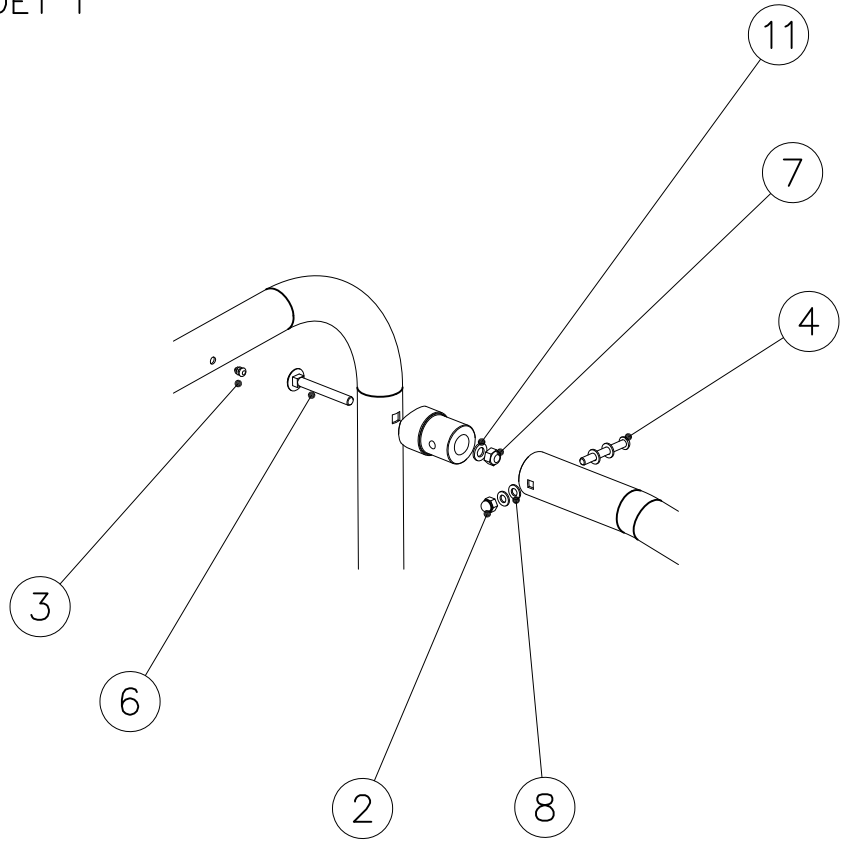
FOOT OPTION FOR DEEP MOUNTING

○	709379+	
○	902564	PCS
		3
	L 550	

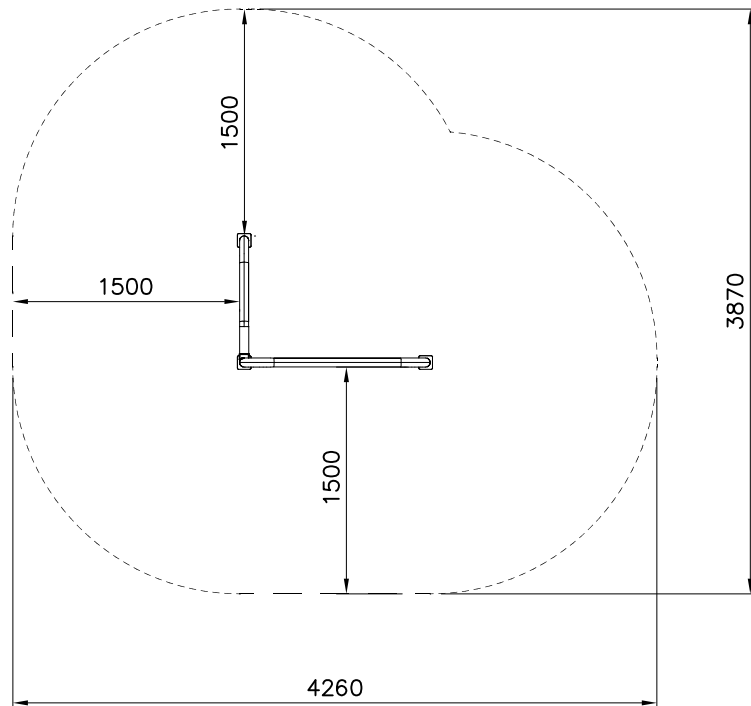
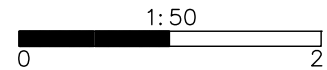


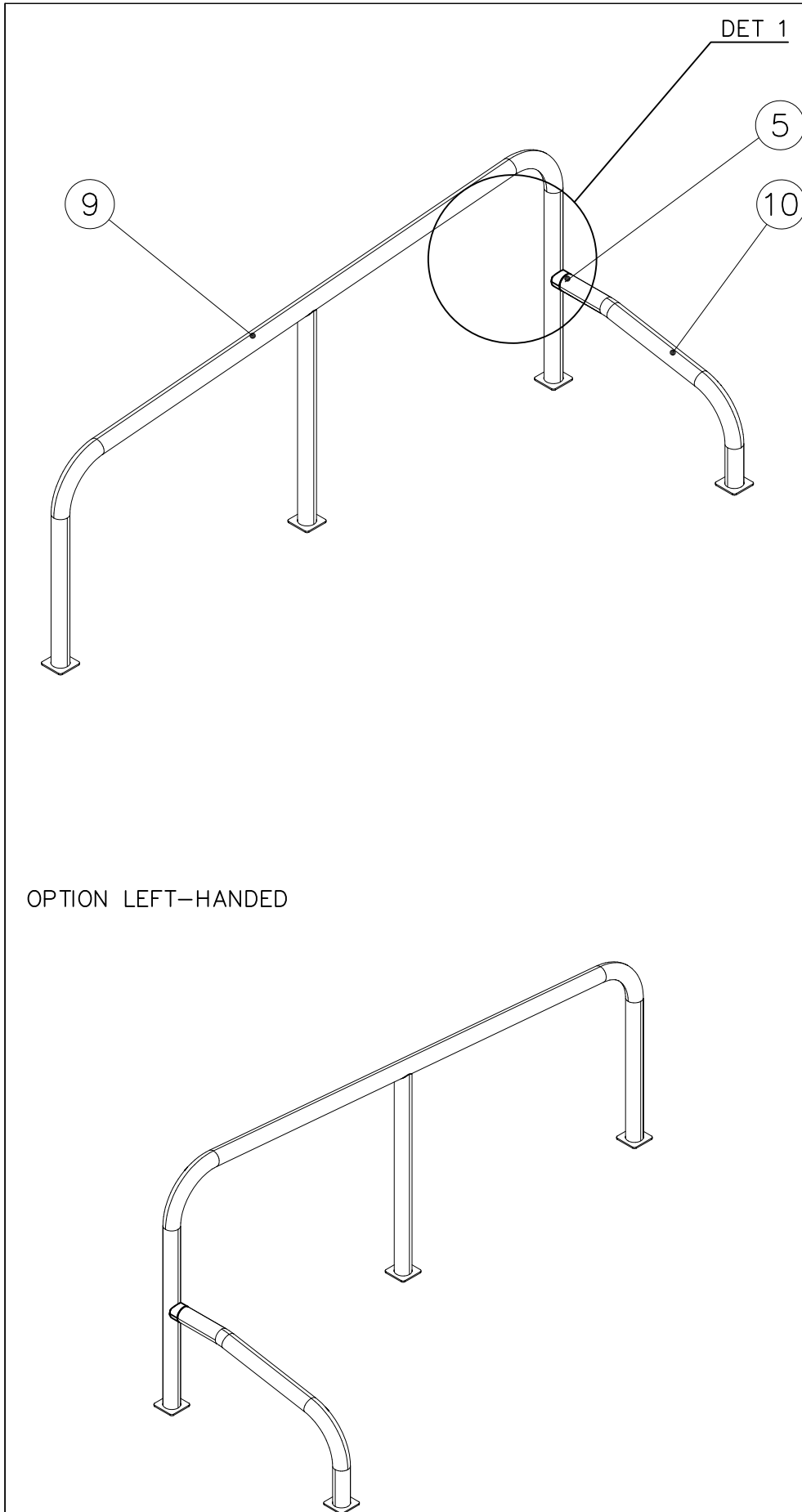


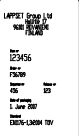


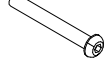
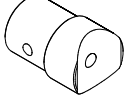
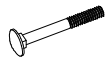


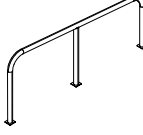
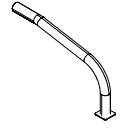

DET 1



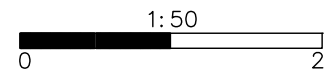
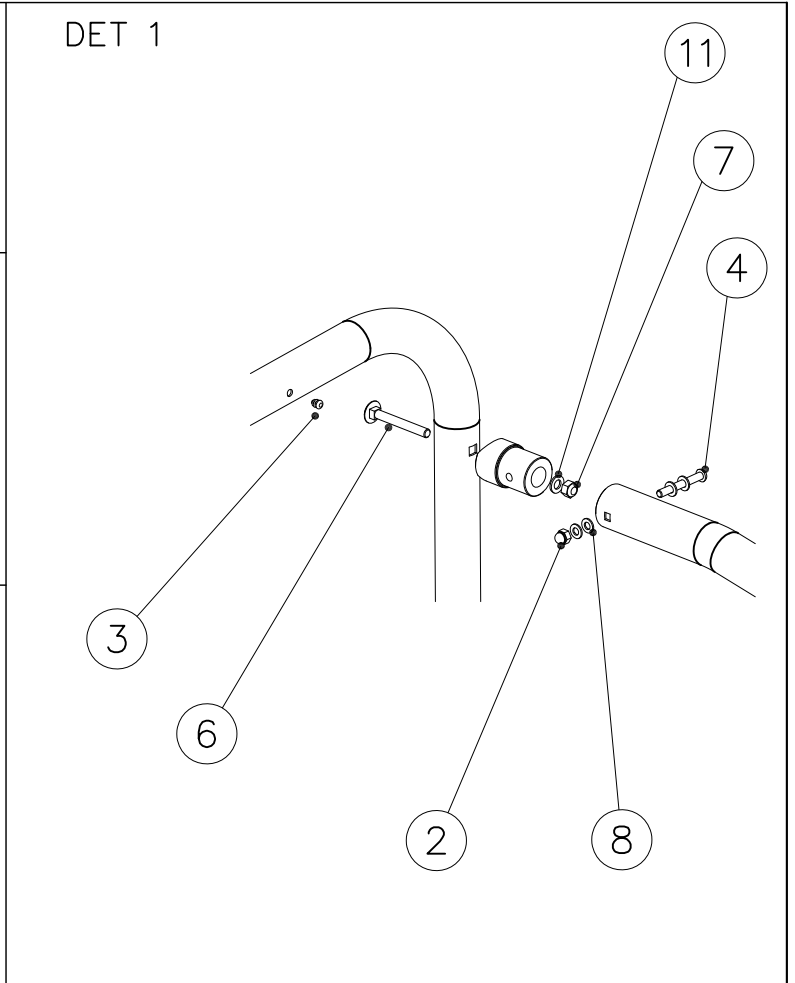
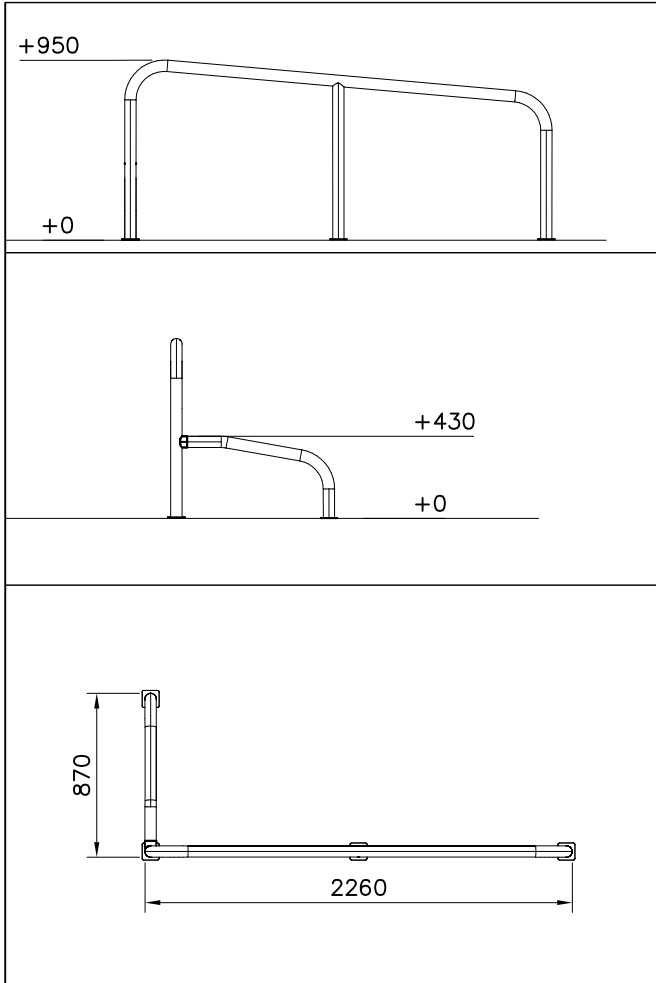
----- Falling Space 13.1 m<sup>2</sup>  
Max Falling Height 650 mm



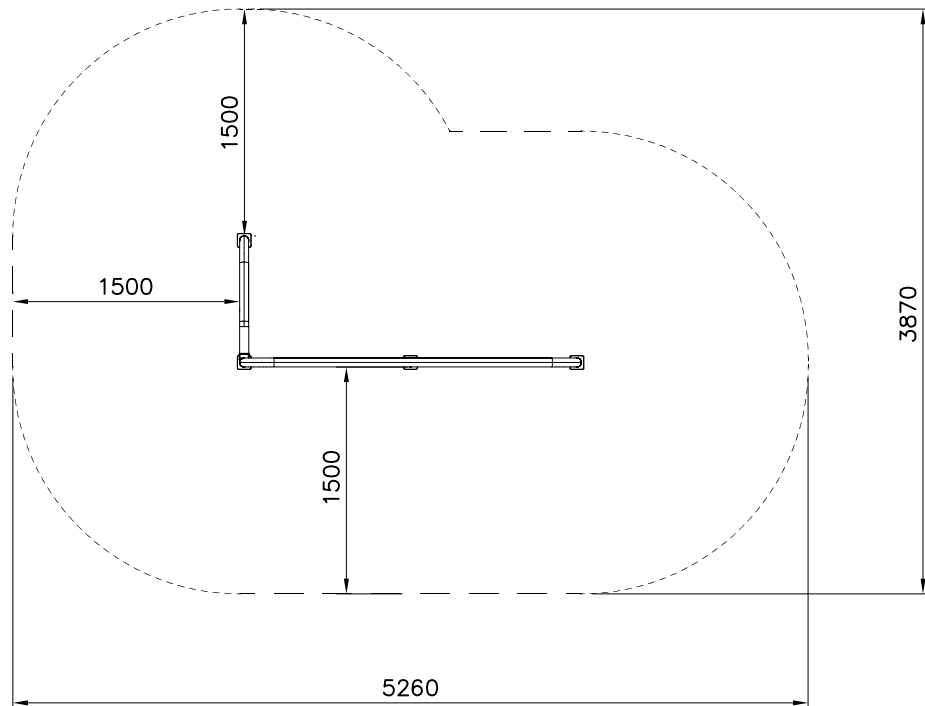


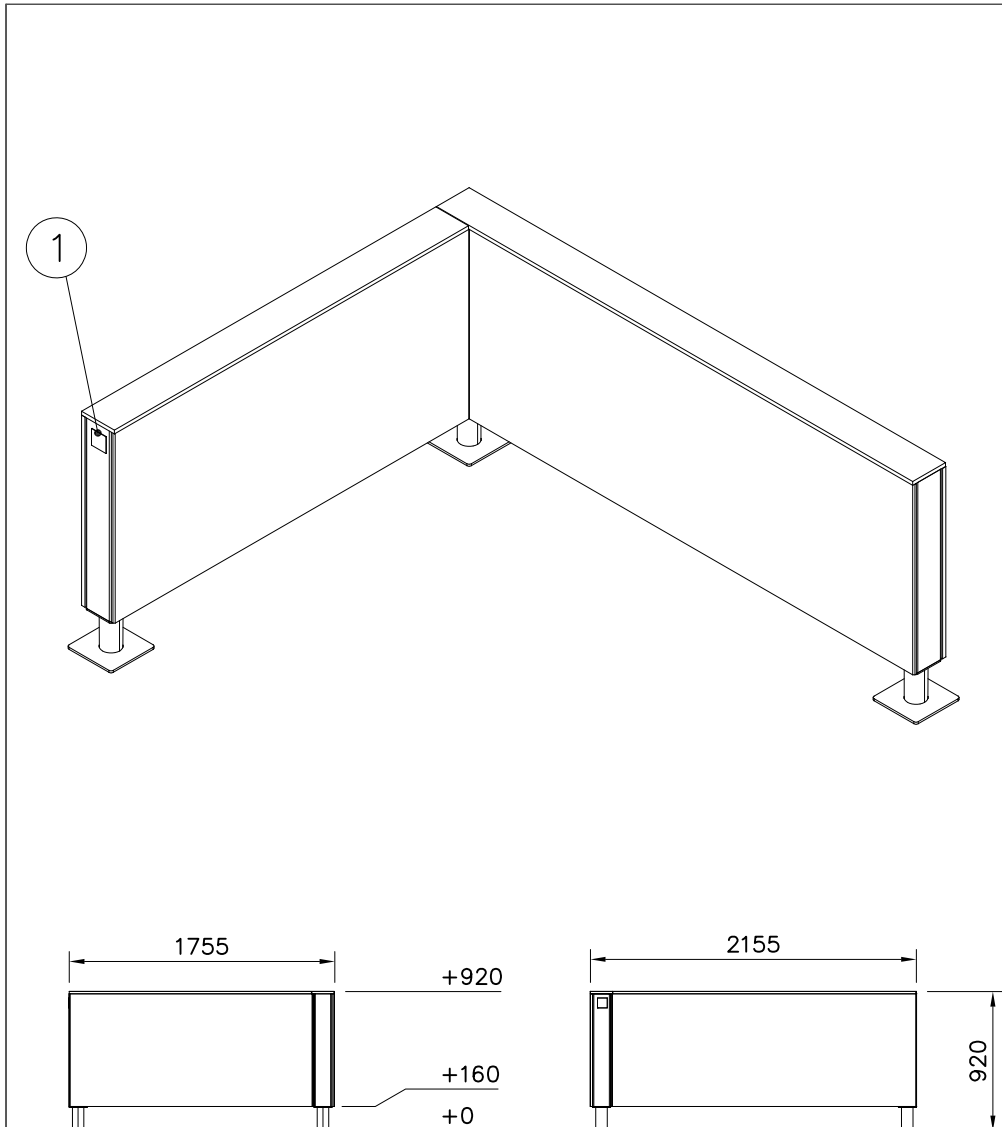
①	702341	PCS	②	900965	PCS
		1			1
	90x50		M10		
③	903533	PCS	④	904133	PCS
		4			1
	SRL12		M10x80		
⑤	908069	PCS	⑥	909111	PCS
		1			1
	Ø60x87.6		M12x100		
⑦	909248	PCS	⑧	909638	PCS
		1			4
	M12		Ø20/10.5		
⑨	910255	PCS	⑩	910262	PCS
		1			1
	Ø60x950x2290		Ø60x435x795		
⑪	980154	PCS			PCS
		1			
	Ø24/13				



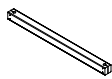


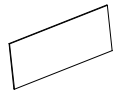

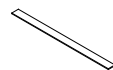
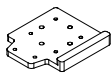
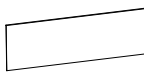





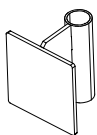


OPTION LEFT-HANDED



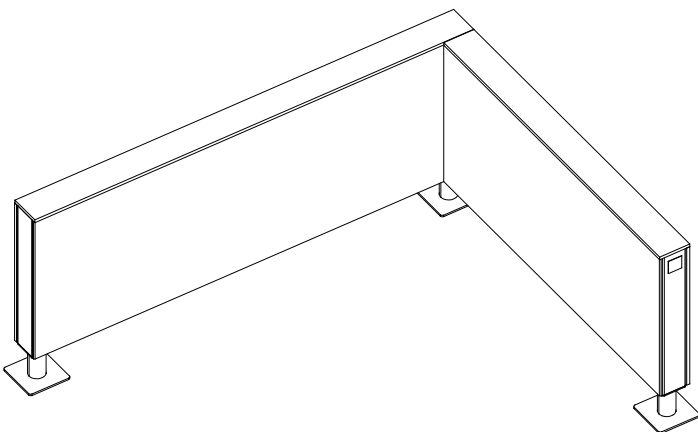
----- Falling Space 16.2 m<sup>2</sup>  
 Max Falling Height 950 mm



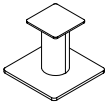
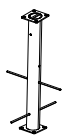


① 702286  65x65	PCS 1	② 707213  118x118x1490	PCS 2
③ 707517  118x118x1892	PCS 2	④ 708137  118x118x745	PCS 3
⑤ 708715  15x745x2140	PCS 1	⑥ 708716  15x745x1753	PCS 1
⑦ 708737  15x148x1601	PCS 1	⑧ 708738  15x148x2153	PCS 1
⑨ 708857 JIG  20x133x149	PCS 1	⑩ 911309 COLOR  12x745x2015	PCS 1
⑪ 911311 MURAL  12x745x1610	PCS 1	⑫ 900240  Ø8x70	PCS 32
⑬ 903093  Ø8x90	PCS 16	⑭ 905103  PT-28/32-H	PCS 8
⑮ 905112  Ø22	PCS 16	⑯ 910266  90x108x118	PCS 8
⑰ 980123  Ø7x60	PCS 56	⑱ 980114  Ø4x20	PCS 4

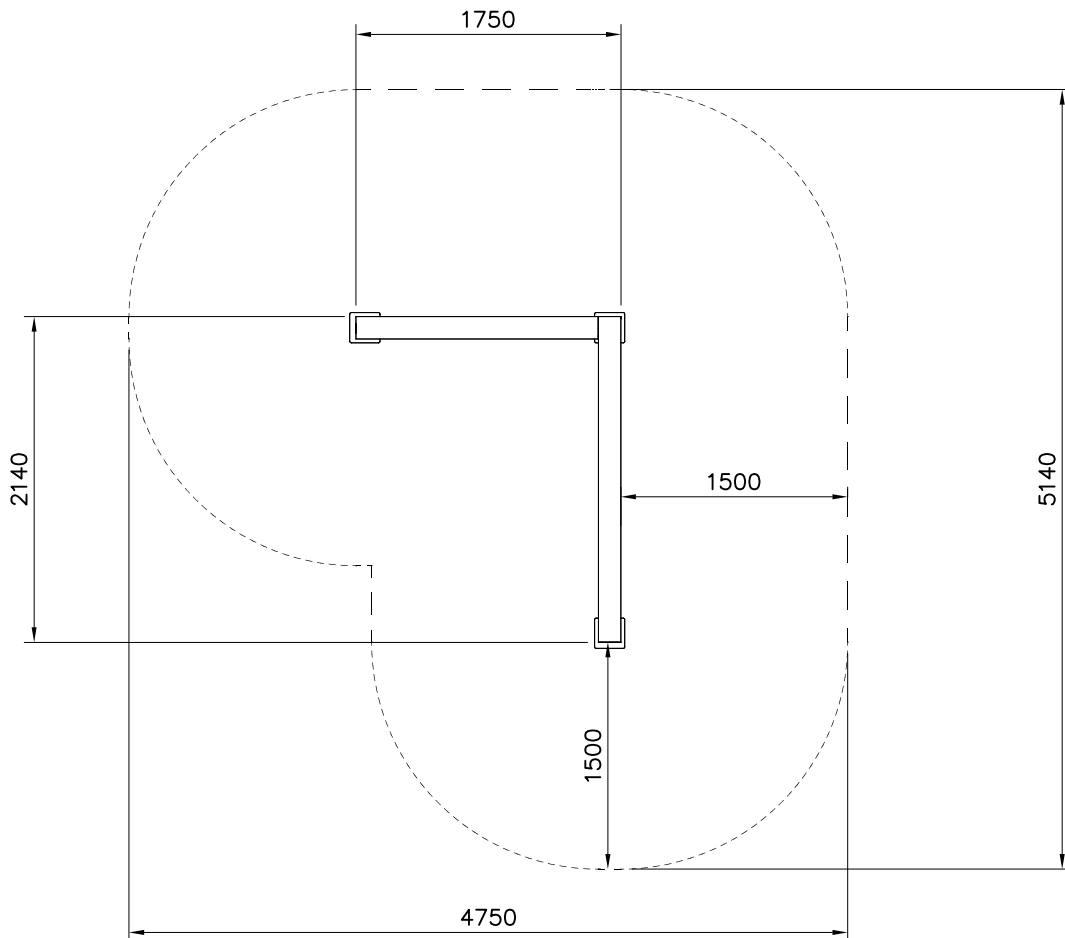
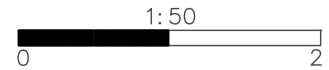
## INSTALLATION OF A SECOND HAND

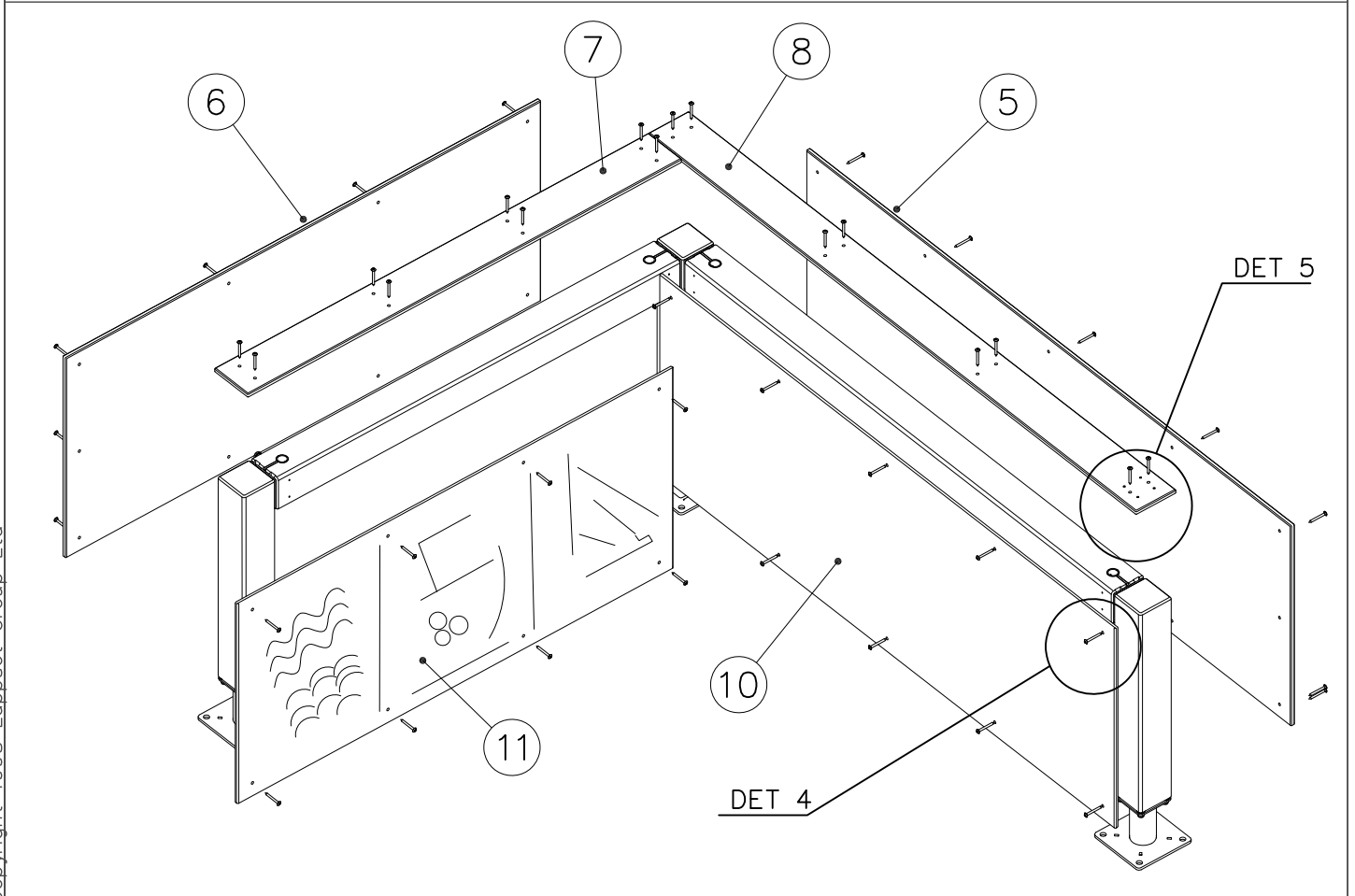
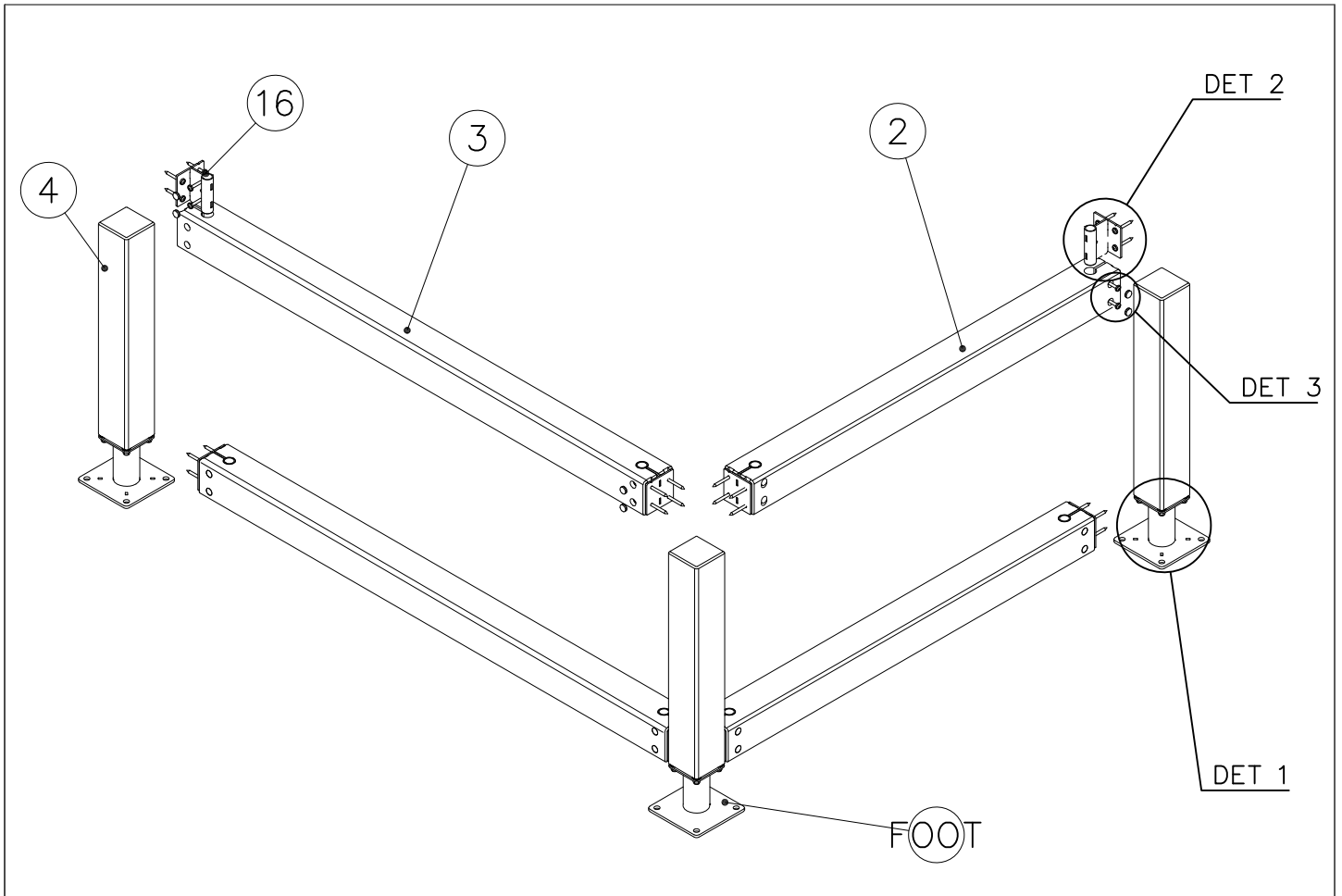


FOOT OPTIONS

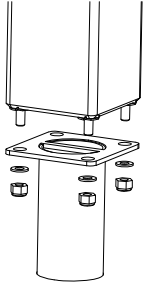
709261+		709262+	
○ 910330	PCS	○ 910567	PCS
SURFACE	3	CONCRETE	3
			
152x200x200		117x117x715	

----- Falling Space 18.8 m<sup>2</sup>  
 Max Falling Height 920 mm

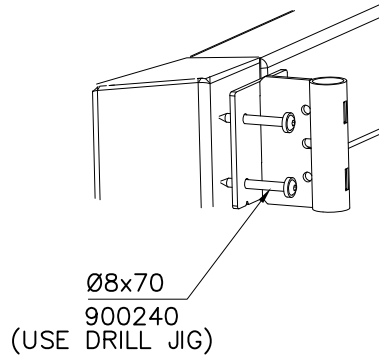




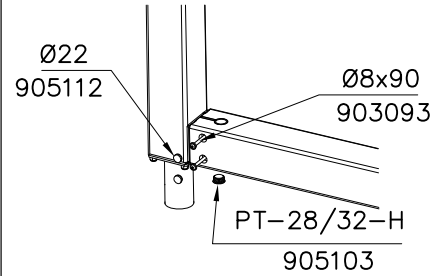
DET 1



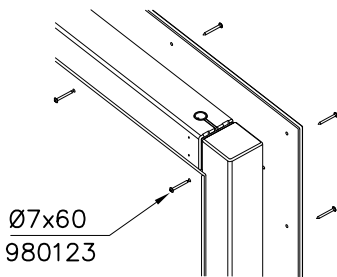
DET 2



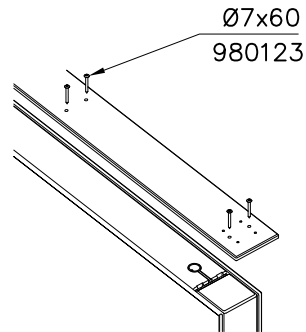
DET 3



DET 4

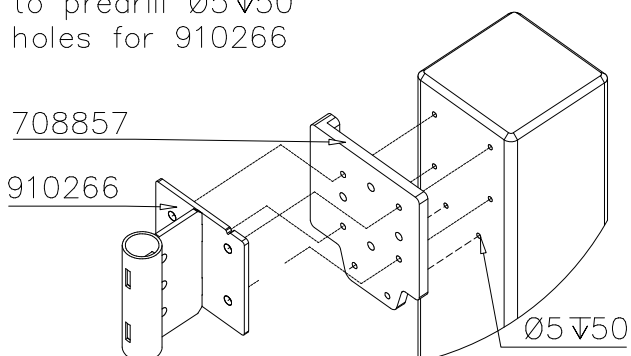


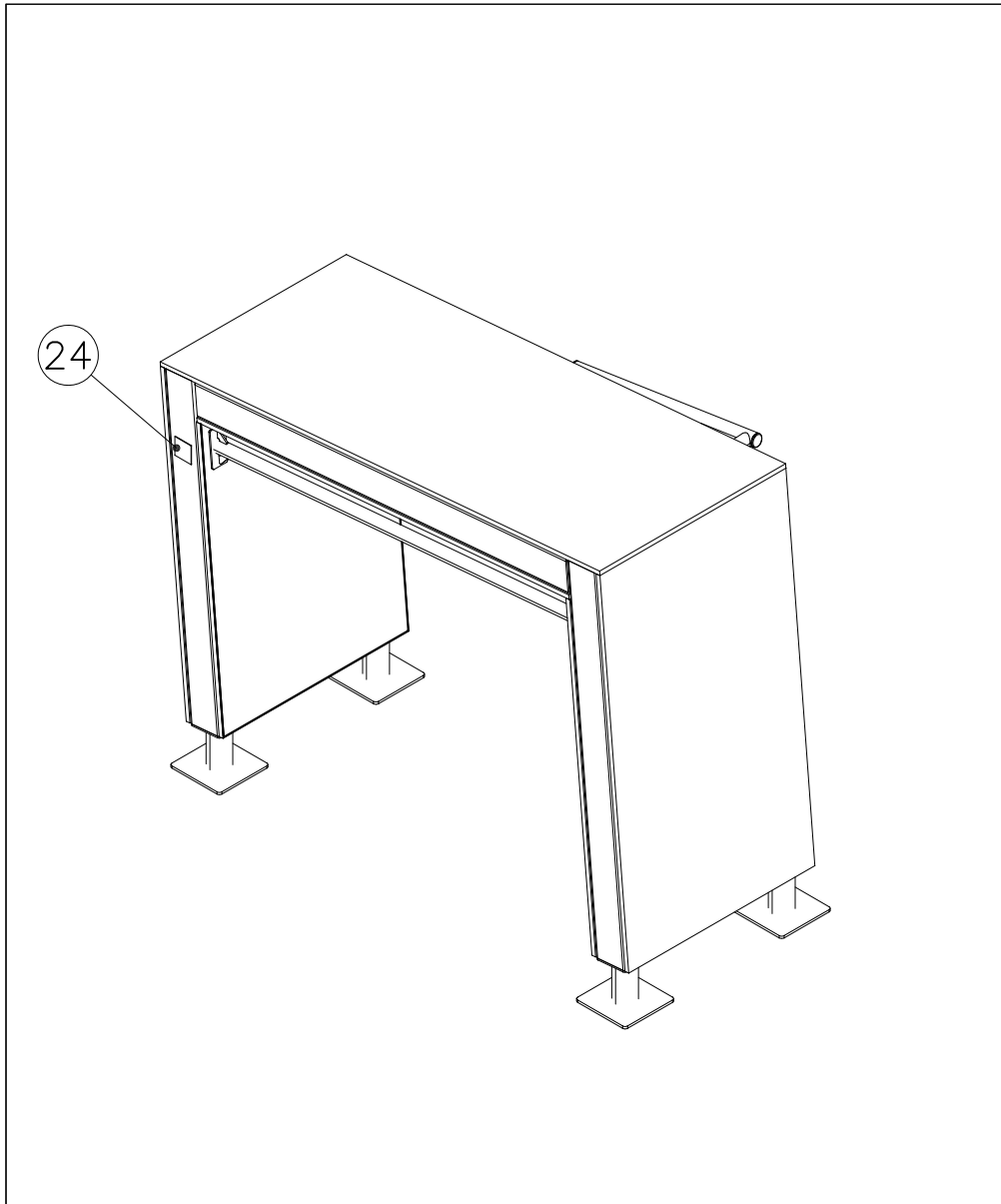
DET 5

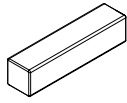



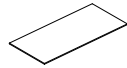
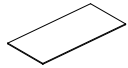

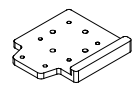

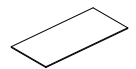
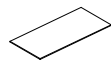







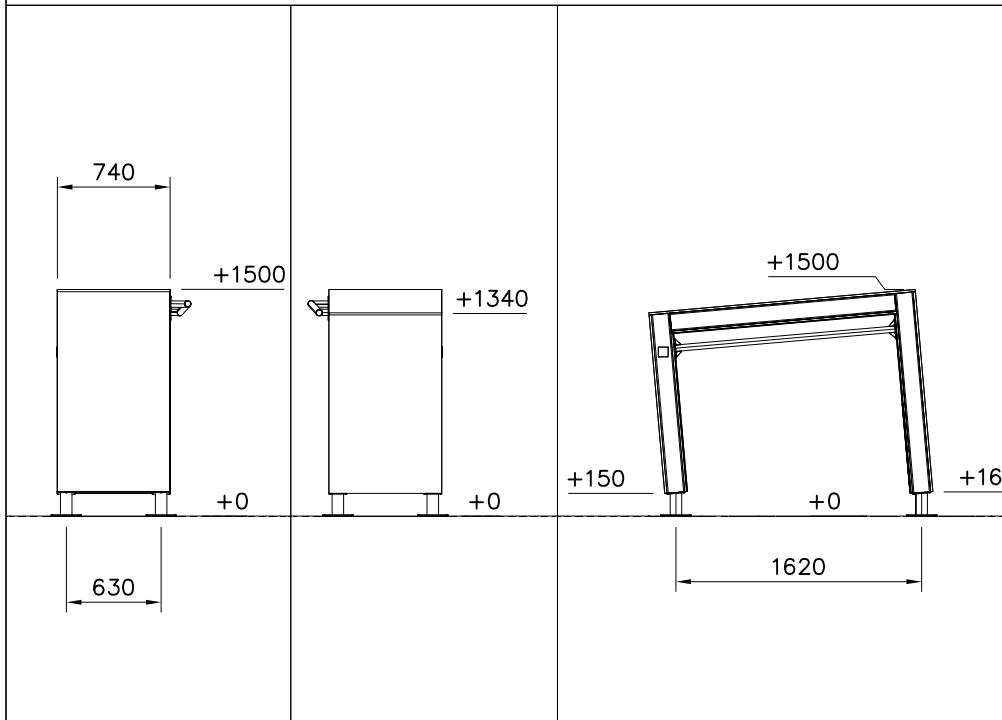
JIG DET A (USE DET 2)

NOTE:  
Use drill jig 708857  
to predrill  $\text{Ø}5 \nabla 50$   
holes for 910266

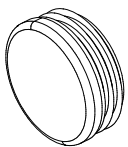
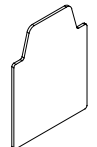
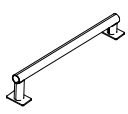
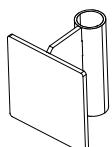

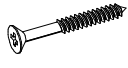









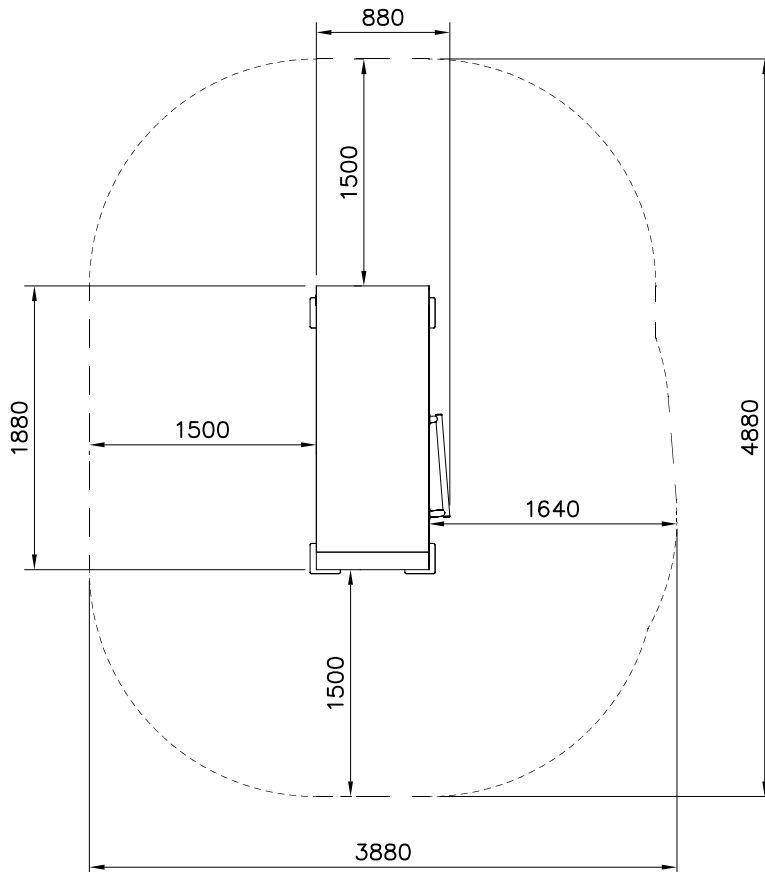
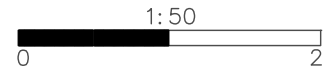
① 707210  118x118x503	PCS 4	② 707213  118x118x1490	PCS 2
③ 708042  118x118x1185	PCS 2	④ 708125  118x118x1326	PCS 2
⑤ 708721  15x745x1766	PCS 1	⑥ 708723  15x745x1185	PCS 1
⑦ 708724  15x745x1326	PCS 1	⑧ 708857 JIG  20x133x149	PCS 1
⑨ 911103 COLOR  15x745x1495	PCS 1	⑩ 911305 COLOR  15x745x1192	PCS 1
⑪ 911307 COLOR  15x745x1050	PCS 1	⑫ 900240  Ø8x70	PCS 44
⑬ 903093  Ø8x90	PCS 8	⑭ 903533  SRL12	PCS 6
⑮ 905103  PT-28/32-H	PCS 8	⑯ 905112  Ø22	PCS 8

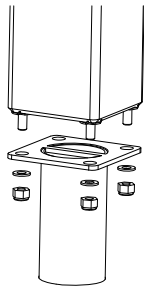
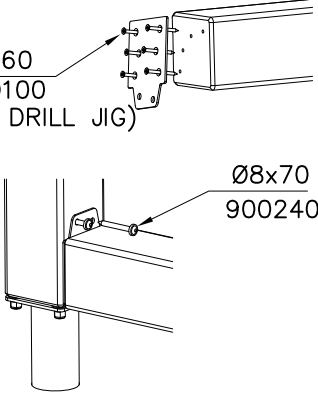
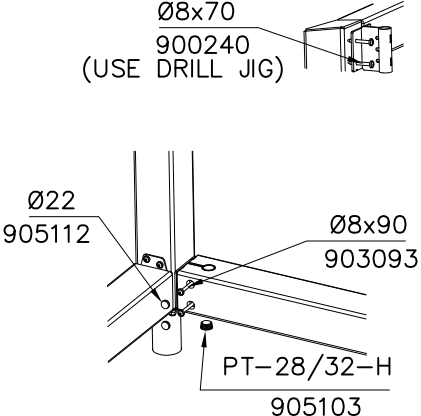
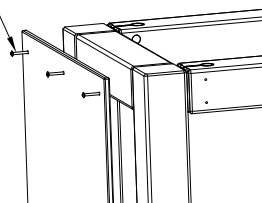
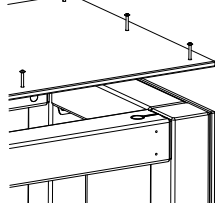
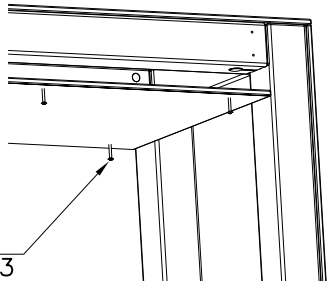
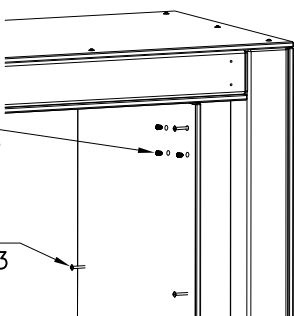
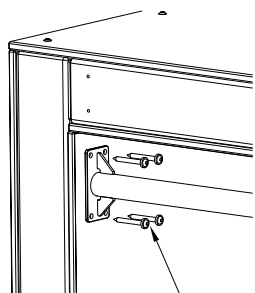
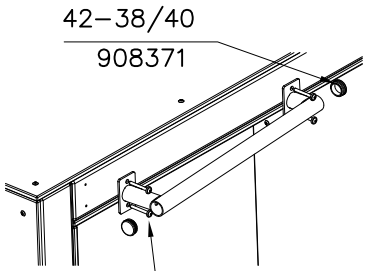


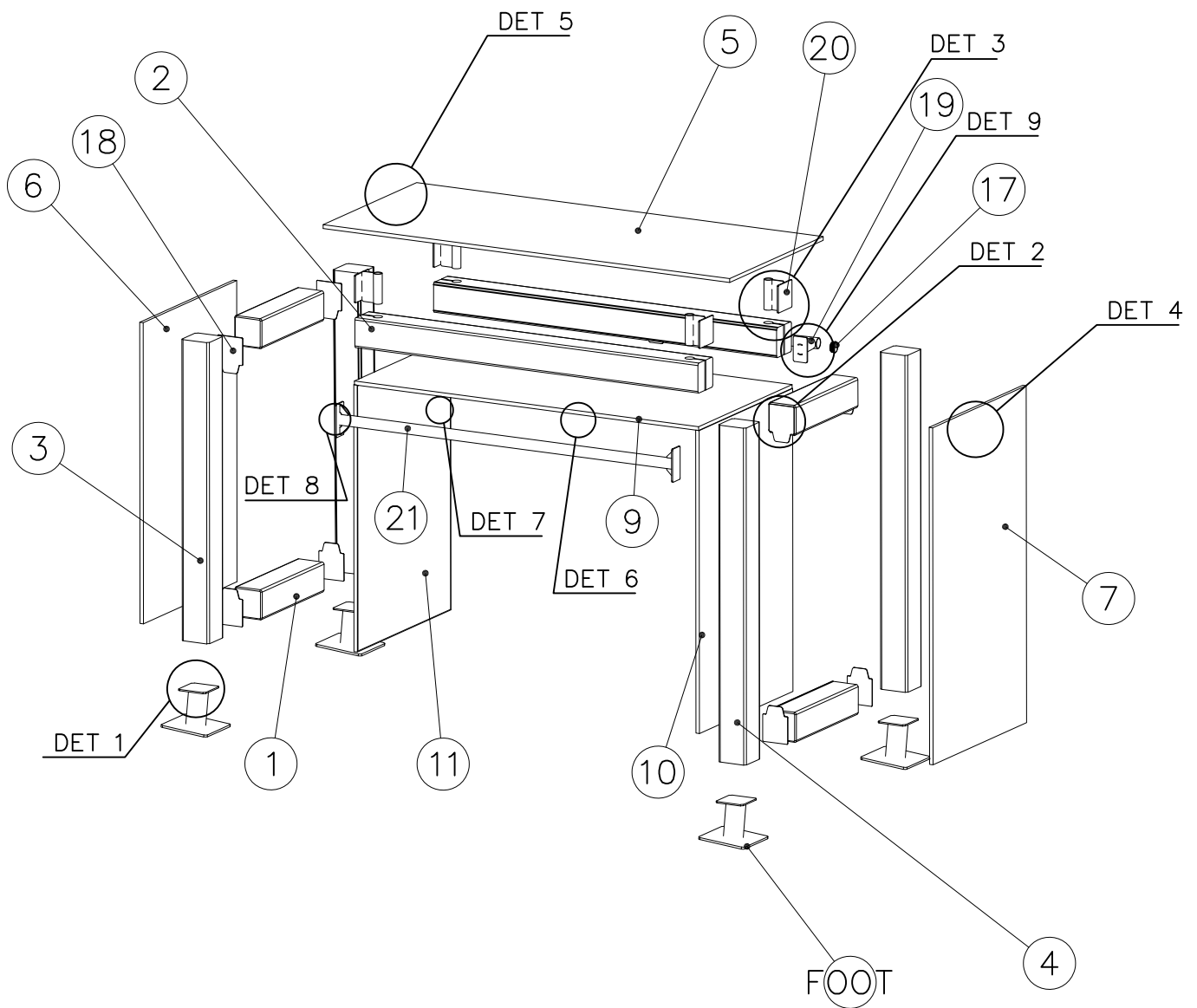


 42-38/40	PCS 2	 3x114x108	PCS 8	 140x690	PCS 1	 90x108x118	PCS 4	 L 1466	PCS 1	 Ø5x60	PCS 48		PCS
 Ø7x60	PCS 50	 65x65	PCS 1	 Ø4x20	PCS 4	FOOT OPTIONS							
						709261+		709262+					
						 910267 SURFACE	PCS 4	 910567 CONCRETE	PCS 4				
						152x200x200			117x117x715				

----- Falling Space 16.5 m<sup>2</sup>  
 Max Falling Height 1500 mm

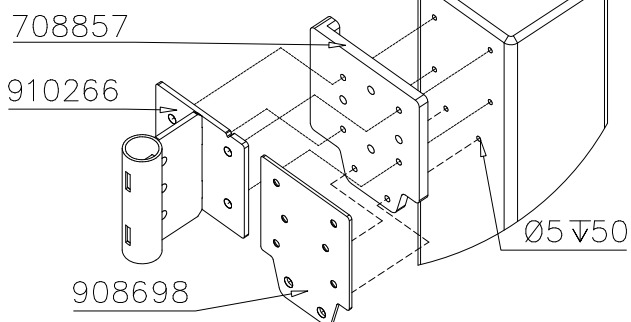


<p>DET 1</p> 	<p>DET 2</p>  <p>Ø5x60 980100 (USE DRILL JIG)</p> <p>Ø8x70 900240</p>	<p>DET 3</p>  <p>Ø8x70 900240 (USE DRILL JIG)</p> <p>Ø22 905112</p> <p>Ø8x90 903093</p> <p>PT-28/32-H 905103</p>
<p>DET 4</p>  <p>Ø7x60 980123</p>	<p>DET 5</p>  <p>Ø7x60 980123</p>	<p>DET 6</p>  <p>Ø7x60 980123</p>
<p>DET 7</p>  <p>SRL12 903533</p> <p>Ø7x60 980123</p>	<p>DET 8</p>  <p>Ø8x70 900240</p>	
<p>DET 9 DRILL PREHOLES BEFORE INSTALLING HANDLES</p>  <p>42-38/40 908371</p> <p>Ø8x70 900240</p>		

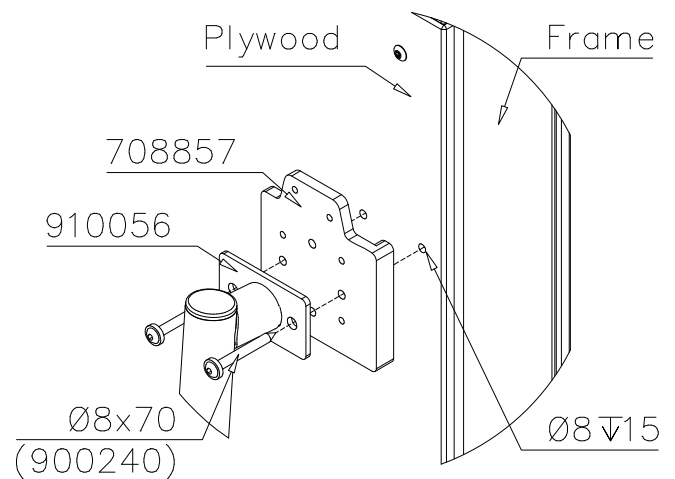


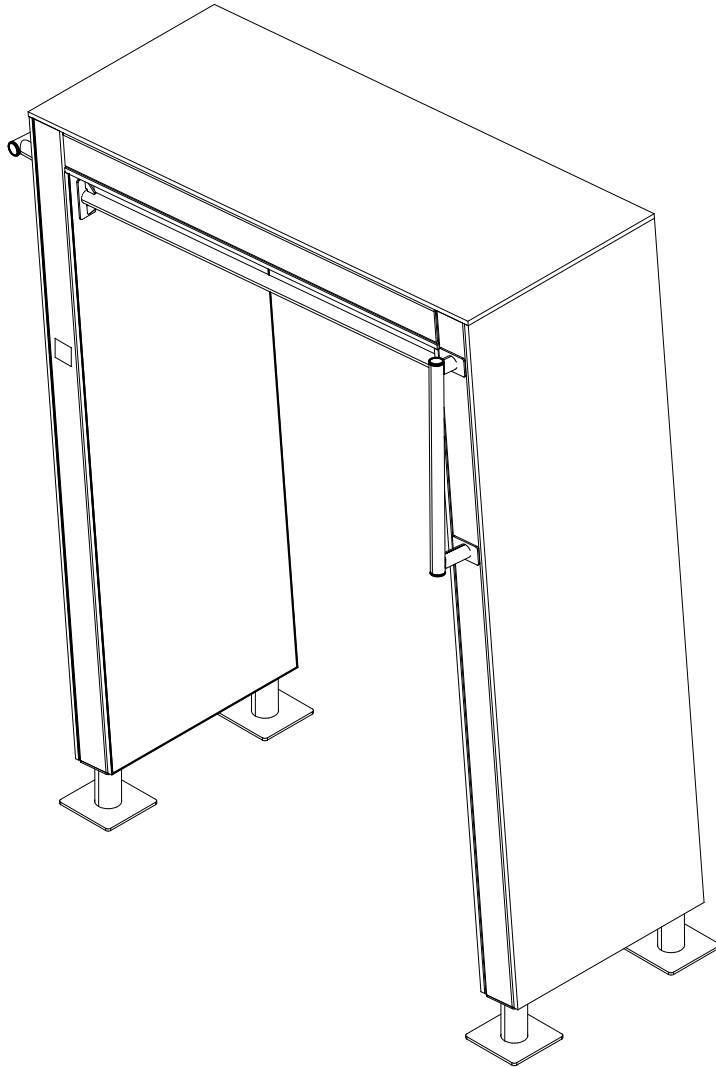
### JIG DET A (USE DET 2-3)

NOTE:  
Use drill jig 708857  
to predrill  $\text{Ø}5 \nabla 50$   
holes for 910266  
and 908698

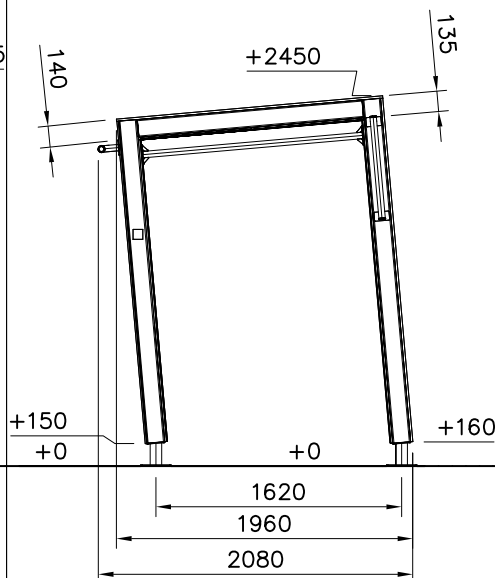
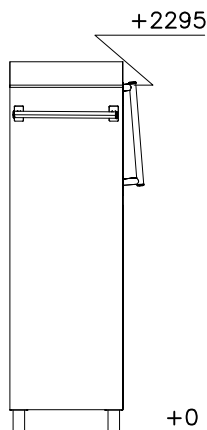
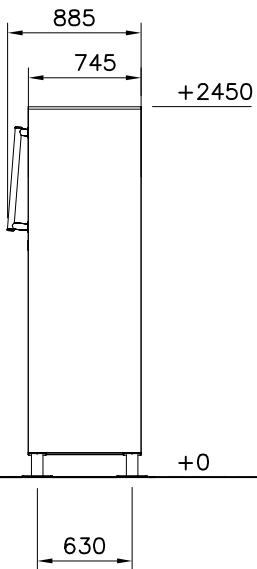


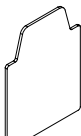
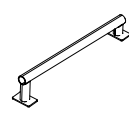
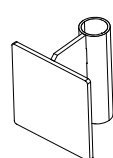











### JIG DET B (USE DET 9, 10)





① 707210  118x118x503	PCS 4	② 707213  118x118x1490	PCS 2
③ 708522  118x118x2139	PCS 2	④ 708688  118x118x2279	PCS 2
⑤ 708721  15x745x1766	PCS 1	⑥ 708722  15x745x2280	PCS 1
⑦ 708857 JIG  20x133x149	PCS 1	⑧ 911297 MURAL  12x745x2140	PCS 1
⑨ 911293 COLOR  15x745x2145	PCS 1	⑩ 911295 COLOR  15x745x2004	PCS 1
⑪ 911301 COLOR  15x745x1495	PCS 1	⑫ 900240  Ø8x70	PCS 56
⑬ 903093  Ø8x90	PCS 8	⑭ 905103  PT-28/32-H	PCS 8
⑮ 905112  Ø22	PCS 8	⑯ 908371  42-38/40	PCS 4

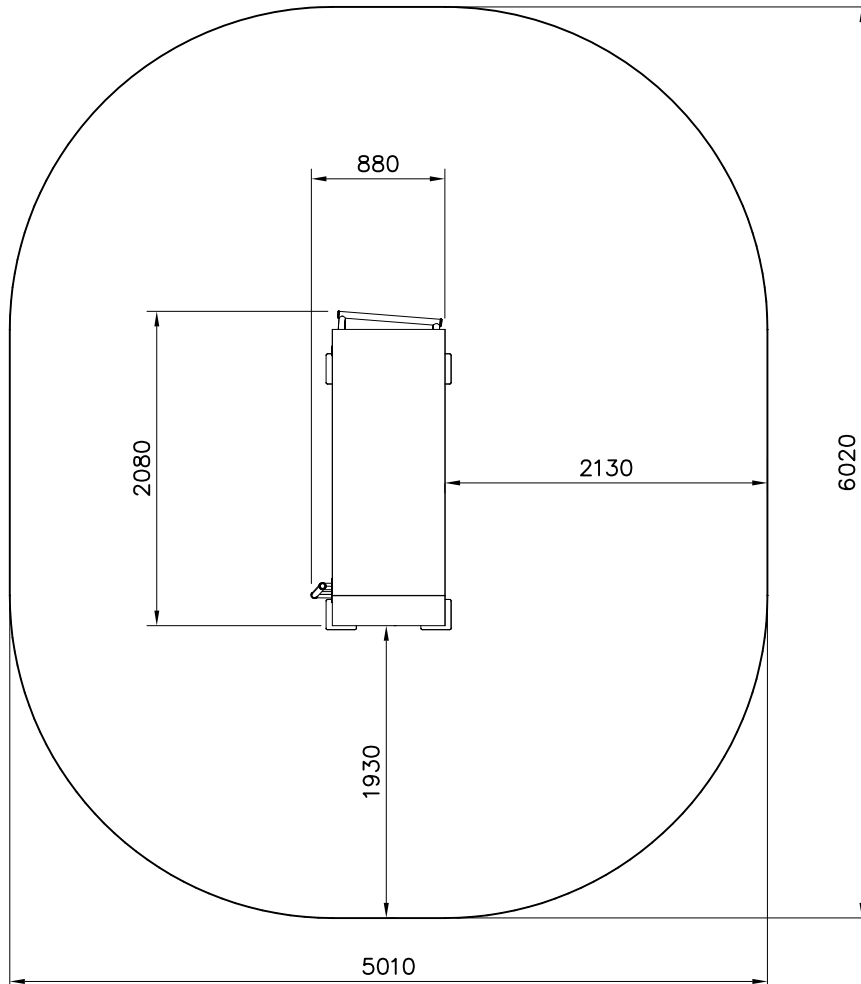
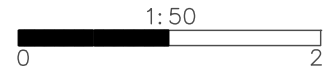


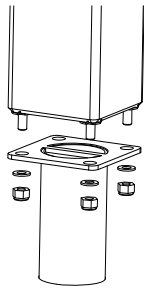
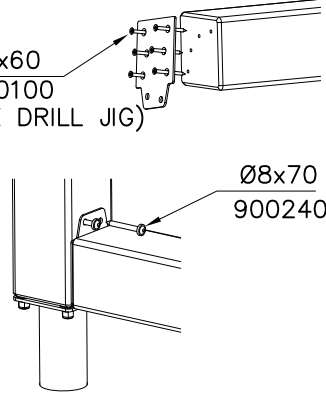
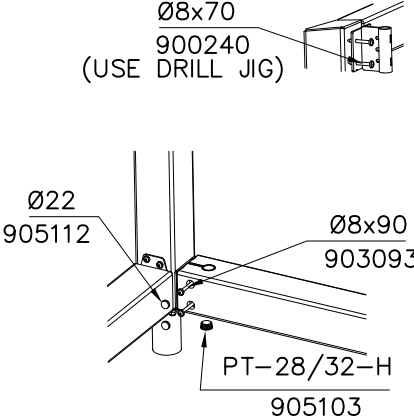
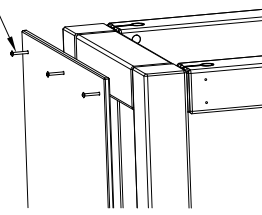
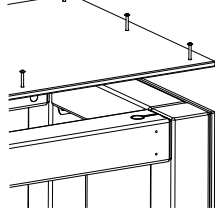
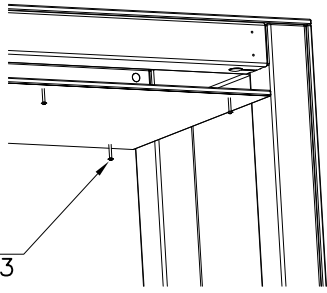
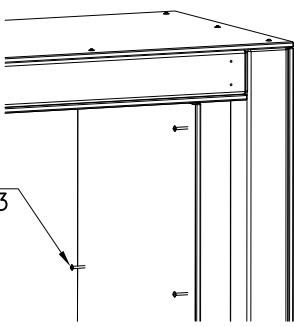
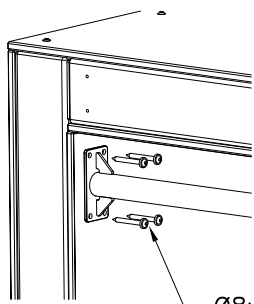
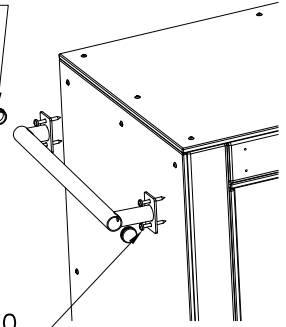
<p>⑰ 908698</p>  <p>3x114x108</p>	<p>PCS</p> <p>8</p>	<p>⑱ 910056</p>  <p>140x690</p>	<p>PCS</p> <p>2</p>	<p>⑲ 910266</p>  <p>90x108x118</p>	<p>PCS</p> <p>4</p>	<p>⑳ 910328</p>  <p>L 1466</p>	<p>PCS</p> <p>2</p>	<p>㉑ 980100</p>  <p>Ø5x60</p>	<p>PCS</p> <p>48</p>	<p>㉒ 980123</p>  <p>Ø7x60</p>	<p>PCS</p> <p>56</p>									
<p>㉓ 702286</p>  <p>65x65</p>	<p>PCS</p> <p>1</p>	<p>㉔ 980114</p>  <p>Ø4x20</p>	<p>PCS</p> <p>4</p>	<p>FOOT OPTIONS</p> <table border="1"> <tr> <td colspan="2">709261+</td> <td colspan="2">709262+</td> </tr> <tr> <td> <p>○ 910267</p> <p>SURFACE</p>  <p>152x200x200</p> </td> <td> <p>PCS</p> <p>4</p> </td> <td> <p>○ 910567</p> <p>CONCRETE</p>  <p>117x117x715</p> </td> <td> <p>PCS</p> <p>4</p> </td> </tr> </table>									709261+		709262+		<p>○ 910267</p> <p>SURFACE</p>  <p>152x200x200</p>	<p>PCS</p> <p>4</p>	<p>○ 910567</p> <p>CONCRETE</p>  <p>117x117x715</p>	<p>PCS</p> <p>4</p>
709261+		709262+																		
<p>○ 910267</p> <p>SURFACE</p>  <p>152x200x200</p>	<p>PCS</p> <p>4</p>	<p>○ 910567</p> <p>CONCRETE</p>  <p>117x117x715</p>	<p>PCS</p> <p>4</p>																	

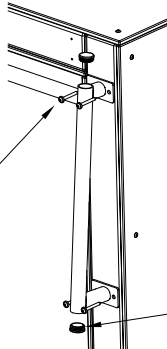
—— EN Impact Attenuating Surface (IAS) 26.3 m2

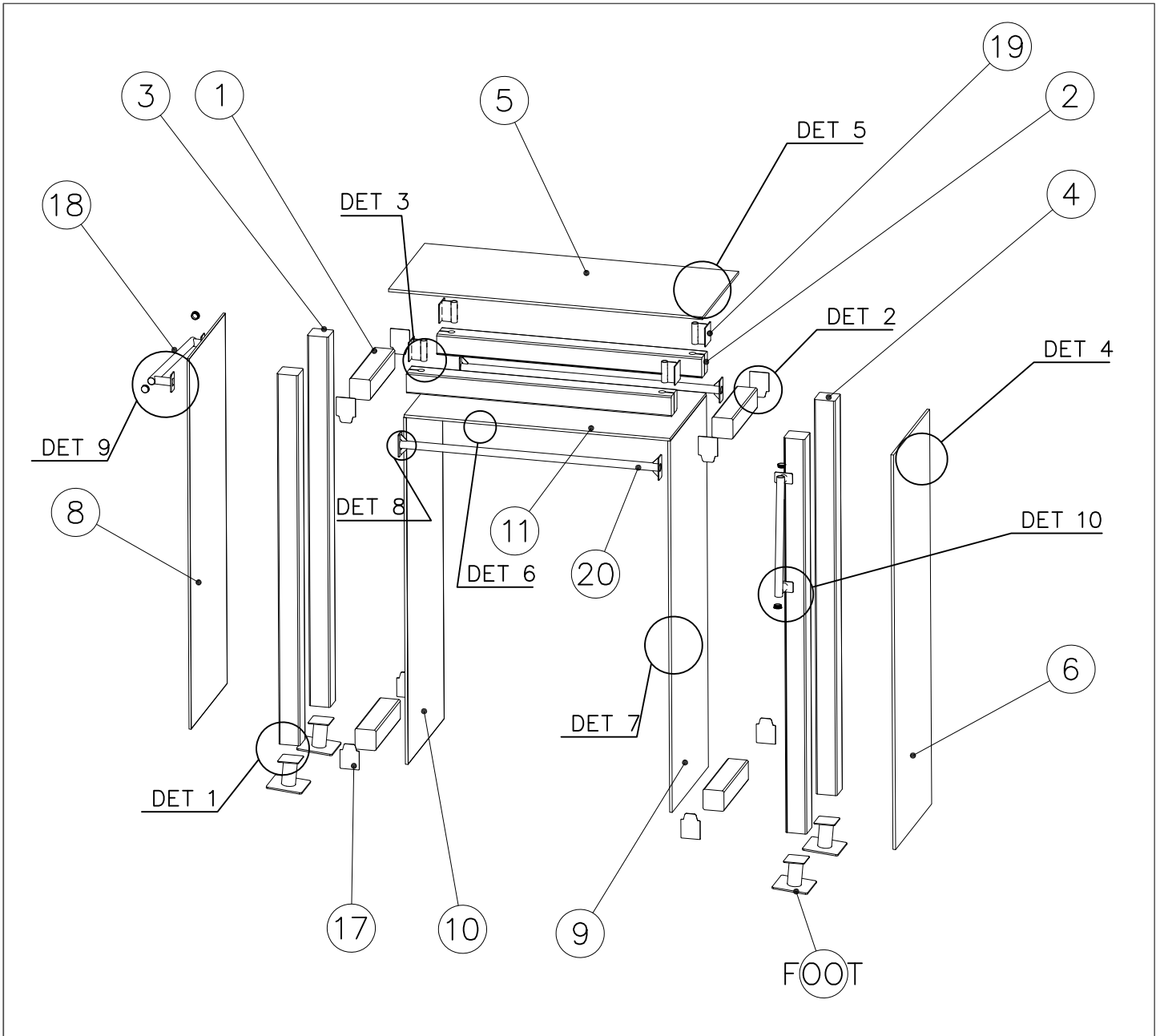
----- Falling Space 26.3 m2

Max Falling Height 2450 mm



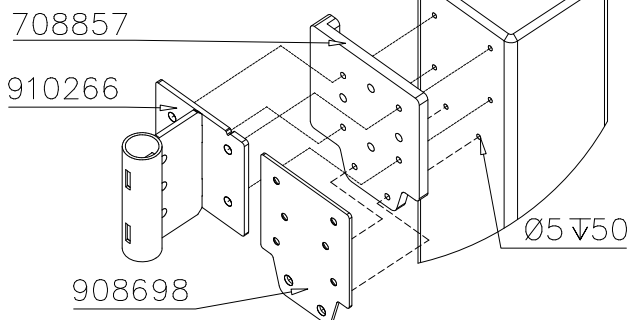
<p>DET 1</p> 	<p>DET 2</p>  <p>Ø5x60 980100 (USE DRILL JIG)</p> <p>Ø8x70 900240</p>	<p>DET 3</p>  <p>Ø8x70 900240 (USE DRILL JIG)</p> <p>Ø22 905112</p> <p>Ø8x90 903093</p> <p>PT-28/32-H 905103</p>
<p>DET 4</p>  <p>Ø7x60 980123</p>	<p>DET 5</p>  <p>Ø7x60 980123</p>	<p>DET 6</p>  <p>Ø7x60 980123</p>
<p>DET 7</p>  <p>Ø7x60 980123</p>	<p>DET 8</p>  <p>Ø8x70 900240</p>	<p>DET 9</p>  <p>42-38/40 908371</p> <p>Ø8x70 900240</p>

<p>DET 10 DRILL PREHOLES BEFORE INSTALLING HANDLES</p>  <p>Ø8x70 900240</p> <p>42-38/40 908371</p>
---

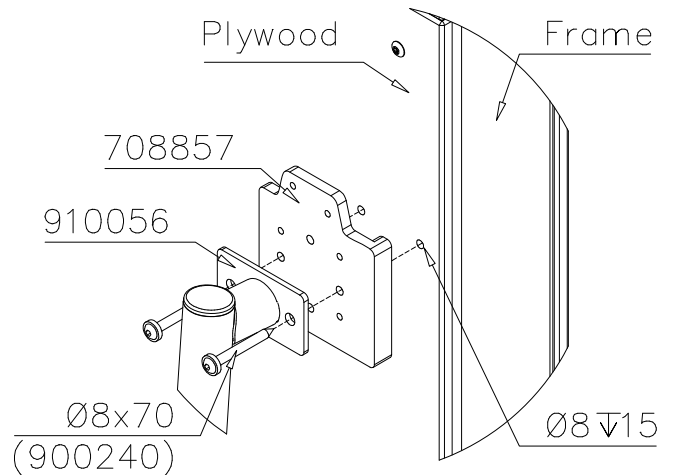


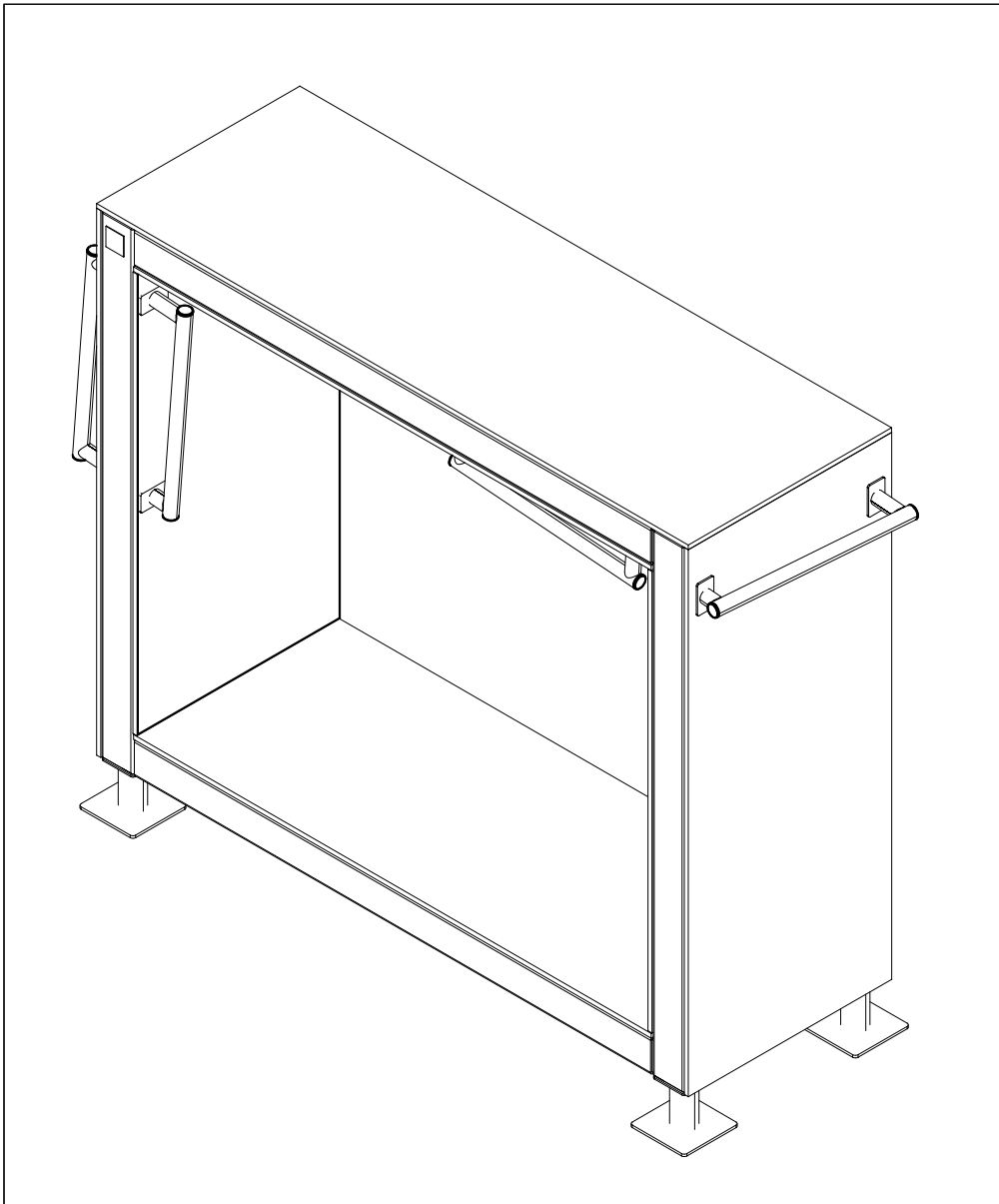
### JIG DET A (USE DET 2-3)

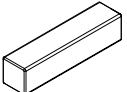
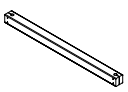

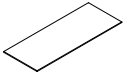


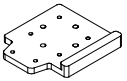
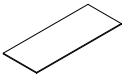
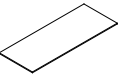






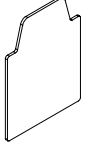
NOTE:  
Use drill jig 708857  
to predrill  $\text{Ø}5 \nabla 50$   
holes for 910266  
and 908698

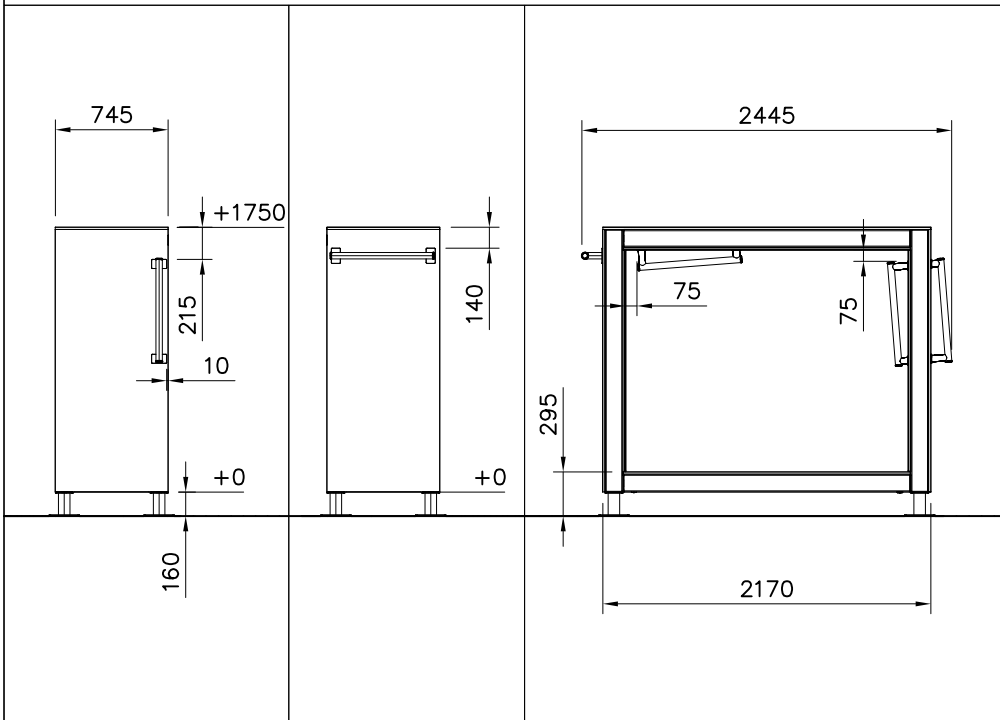


### JIG DET B (USE DET 9, 10)

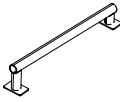
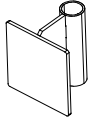


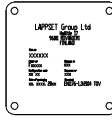




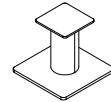

① 707210  118x118x503	PCS 4	② 707517  118x118x1892	PCS 4
③ 708346  118x118x1736	PCS 4	④ 708836  15x745x1736	PCS 2
⑤ 708837  15x745x2168	PCS 1	⑥ 708839  15x745x1897	PCS 1
⑦ 708857 JIG  20x133x149	PCS 1	⑧ 911288 COLOR  15x745x1465	PCS 2
⑨ 911289 COLOR  15x745x1897	PCS 1	⑩ 980114  Ø4x20	PCS 4
⑪ 900240  Ø8x70	PCS 64	⑫ 903093  Ø8x90	PCS 16
⑬ 905103  PT-28/32-H	PCS 8	⑭ 905112  Ø22	PCS 16
⑮ 908371  42-38/40	PCS 8	⑯ 908698  3x114x108	PCS 8



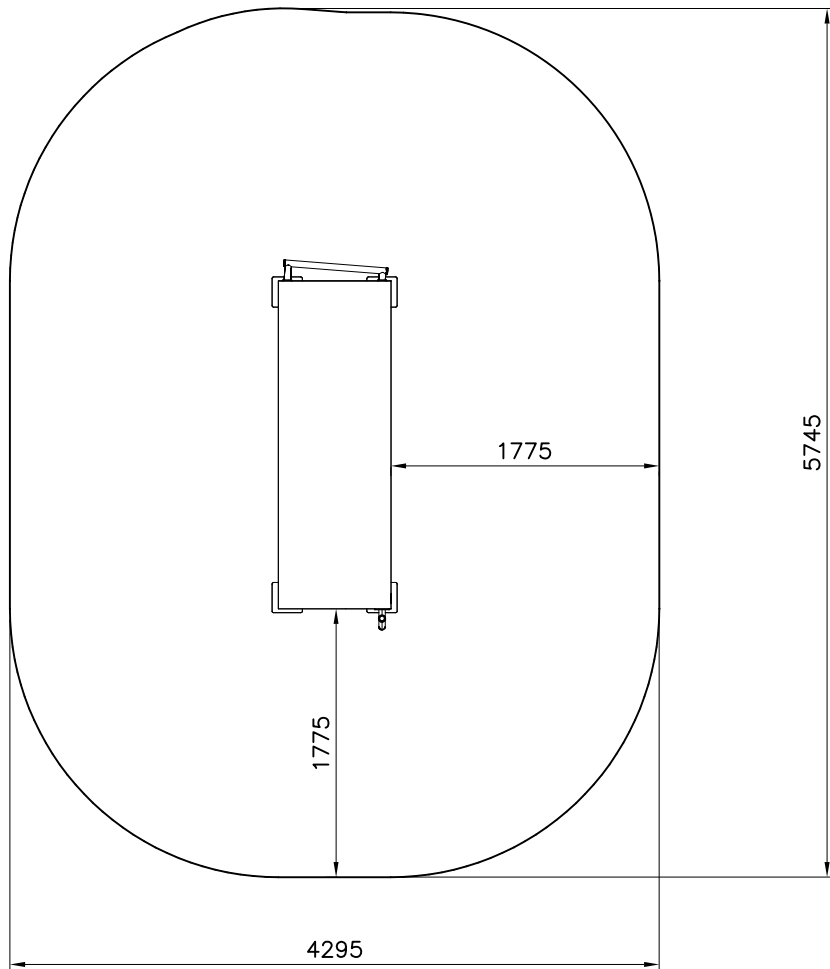
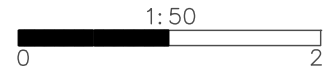


17	910056	PCS	18	910266	PCS	19	980100	PCS	20	980123	PCS	21	702286	PCS		PCS		PCS
		4		8		48		65		1								
	140x690		90x108x118		Ø5x60		Ø7x60		65x65									

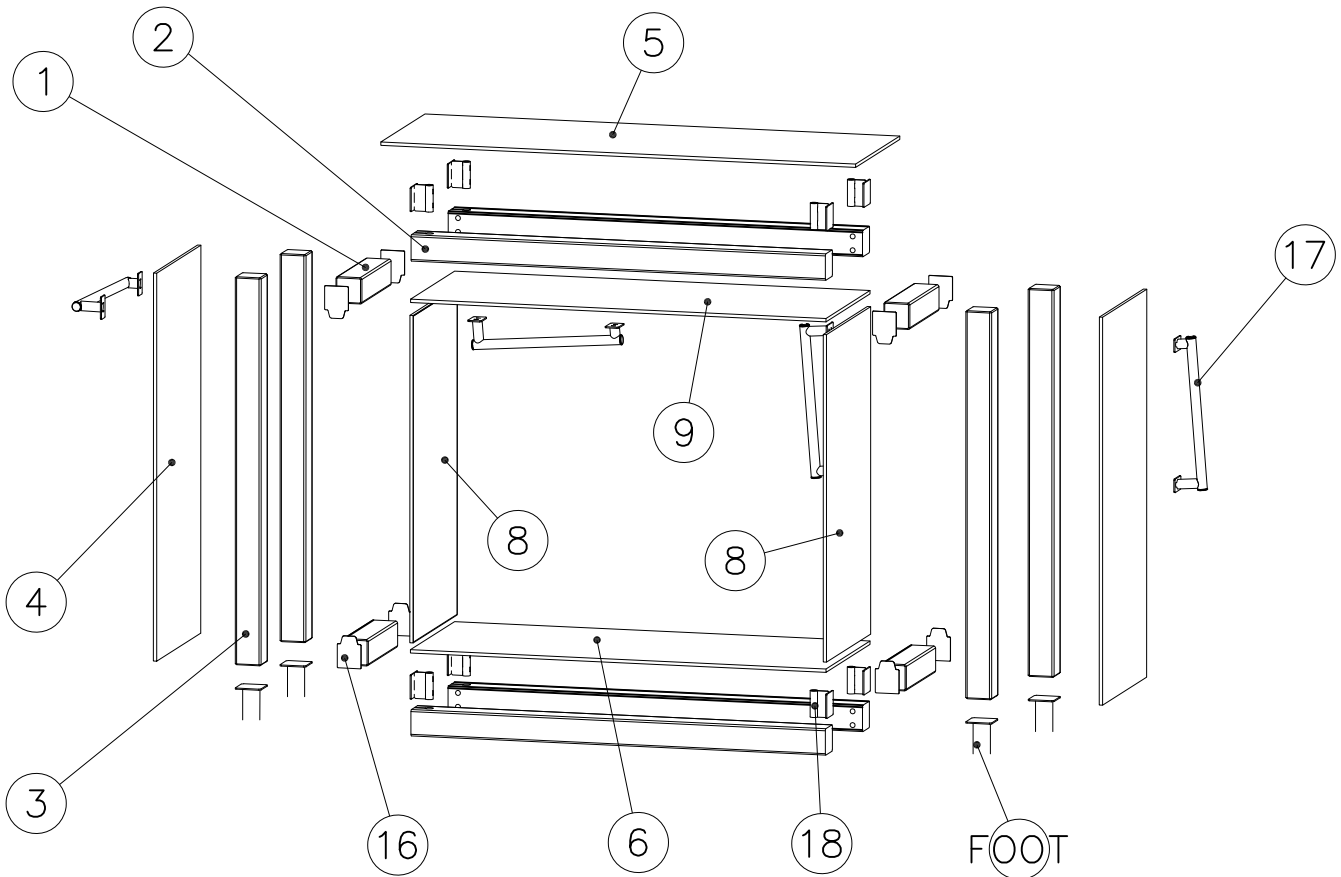
FOOT OPTIONS

709261+		709262+	
910330	PCS	910567	PCS
SURFACE	4	CONCRETE	4
			
152x200x200		117x117x715	

- EN Impact Attenuating Surface (IAS) 21.9 m<sup>2</sup>
- Falling Space 21.9 m<sup>2</sup>
- Max Falling Height 1910 mm



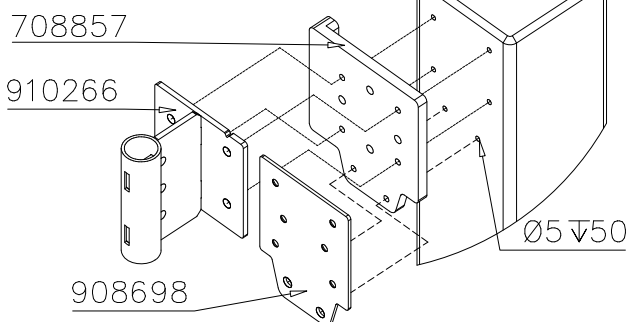
<p>DET 1</p>	<p>DET 2</p>	<p>DET 3</p>
<p>DET 4</p>	<p>DET 5</p>	<p>DET 6</p>
<p>DET 7</p>	<p>DET 8</p>	
<p>DET 9 DRILL PREHOLES BEFORE INSTALLING HANDLES</p>		



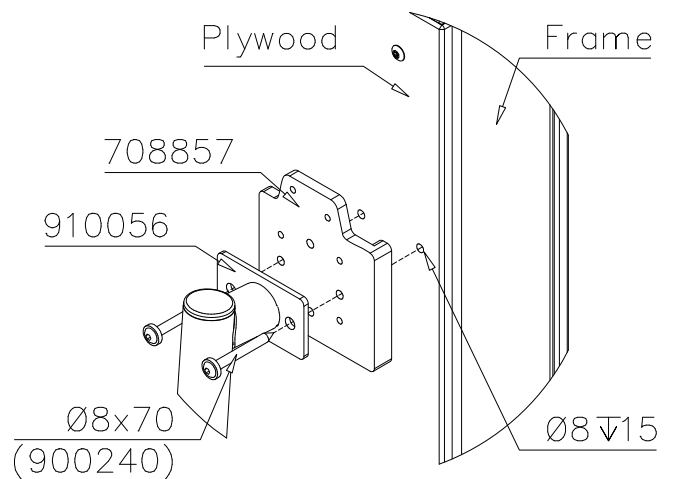
### JIG DET A (USE DET 2-3)

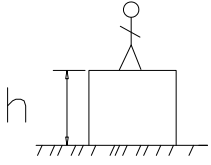
**NOTE:**

Use drill jig 708857 to predrill  $\text{Ø}5 \nabla 50$  holes for 910266 and 908698



### JIG DET B (USE DET 9)





$h < 1600$

Totally hard surfaces or materials with very limited impact attenuating properties.

Case by case risk assessment is needed including e.g. evaluation whether there is forced movement, what is the intended exercise and where will the product be installed.

Materials with significant impact attenuating properties.

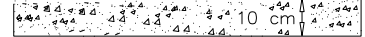
Totally hard surfaces.  
E.g. concrete or asphalt



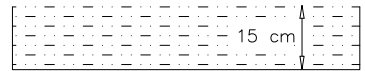
Materials with very limited impact attenuating properties.  
E.g. wood



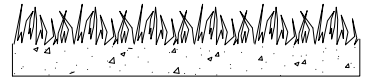
fine gravel 0–8 mm



Unsorted sand/ topsoil



Lawn

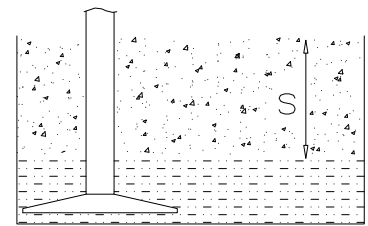


$h = 1600-$

$h < 3000$

Loose fill material

E.g.  
sand/gravel 0,25...8 mm  $D_{60}/D_{10} < 3,0$   
Woodchips 5...30 mm  
bark 20...80 mm



$\underline{S}$   
30 cm       $\underline{h}$   
                 < 3,0 m

Syntethic granulates

$\underline{S}$	$\underline{h}$
40 mm	~> 1,6...~< 1,8 m
50 mm	~> 1,8...~< 2,25 m
55 mm	~> 2,25...~< 2,4 m
60 mm	~> 2,4...~< 2,55 m
70 mm	~> 2,55...~< 3,0 m

Note. For accurate values, see manufacturer's instructions.

