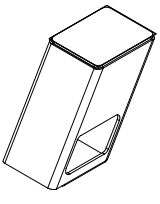

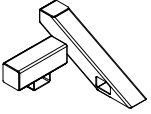

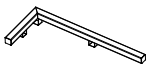

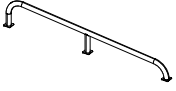

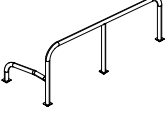

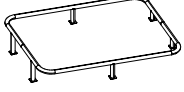

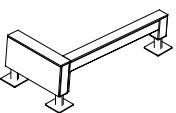

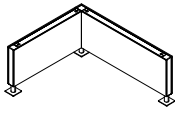

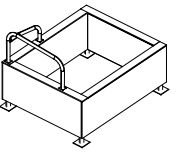

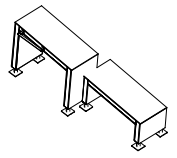

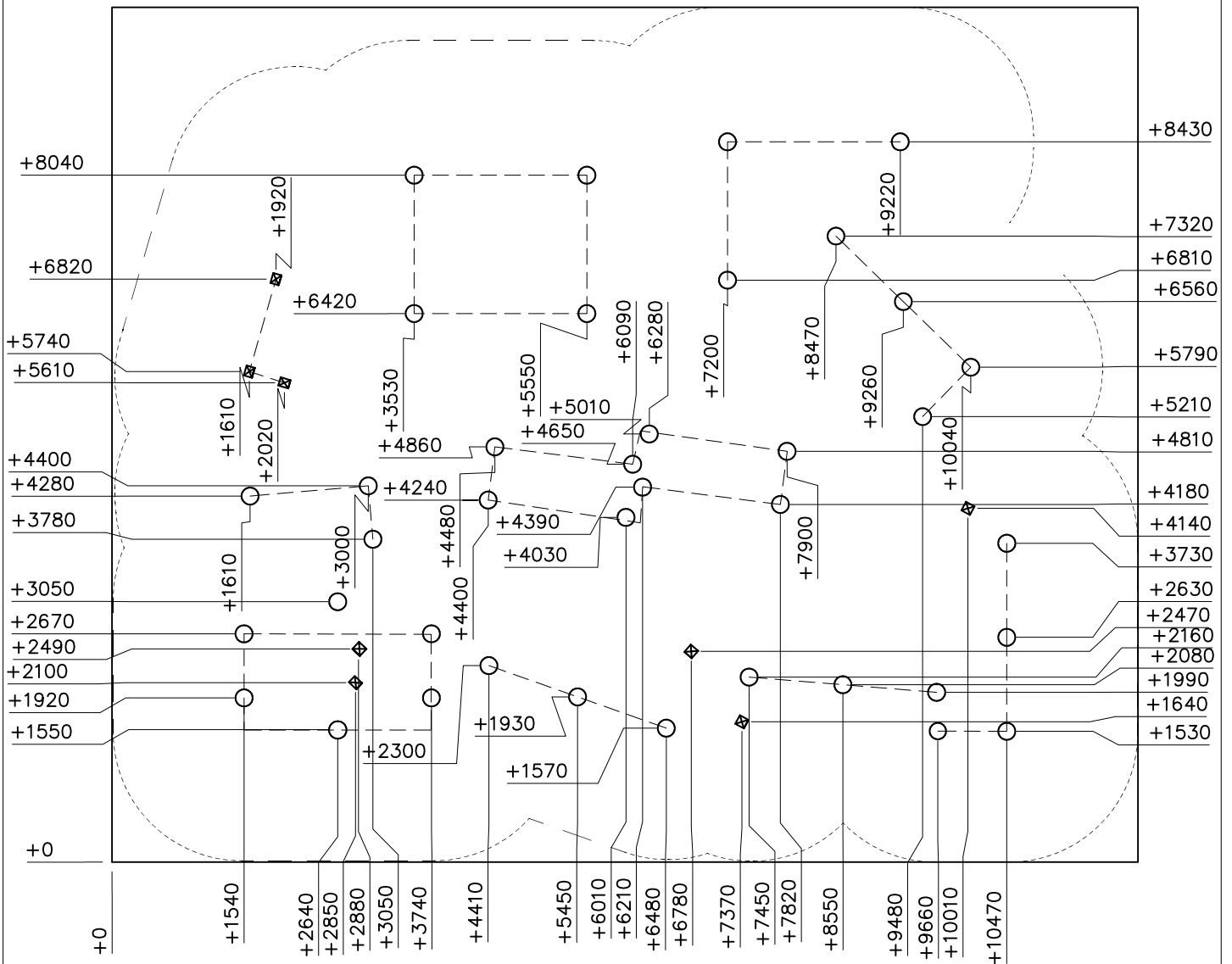
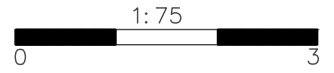


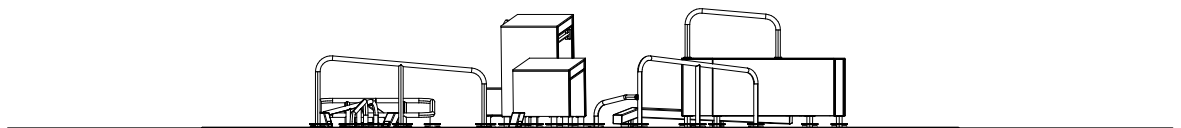
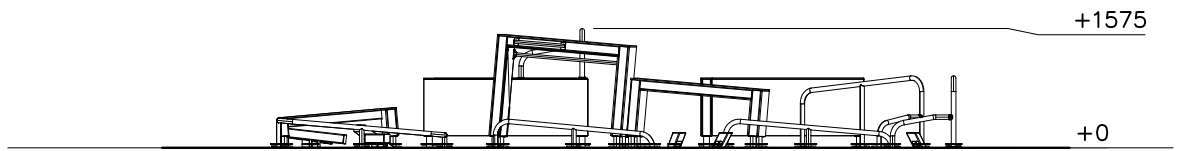
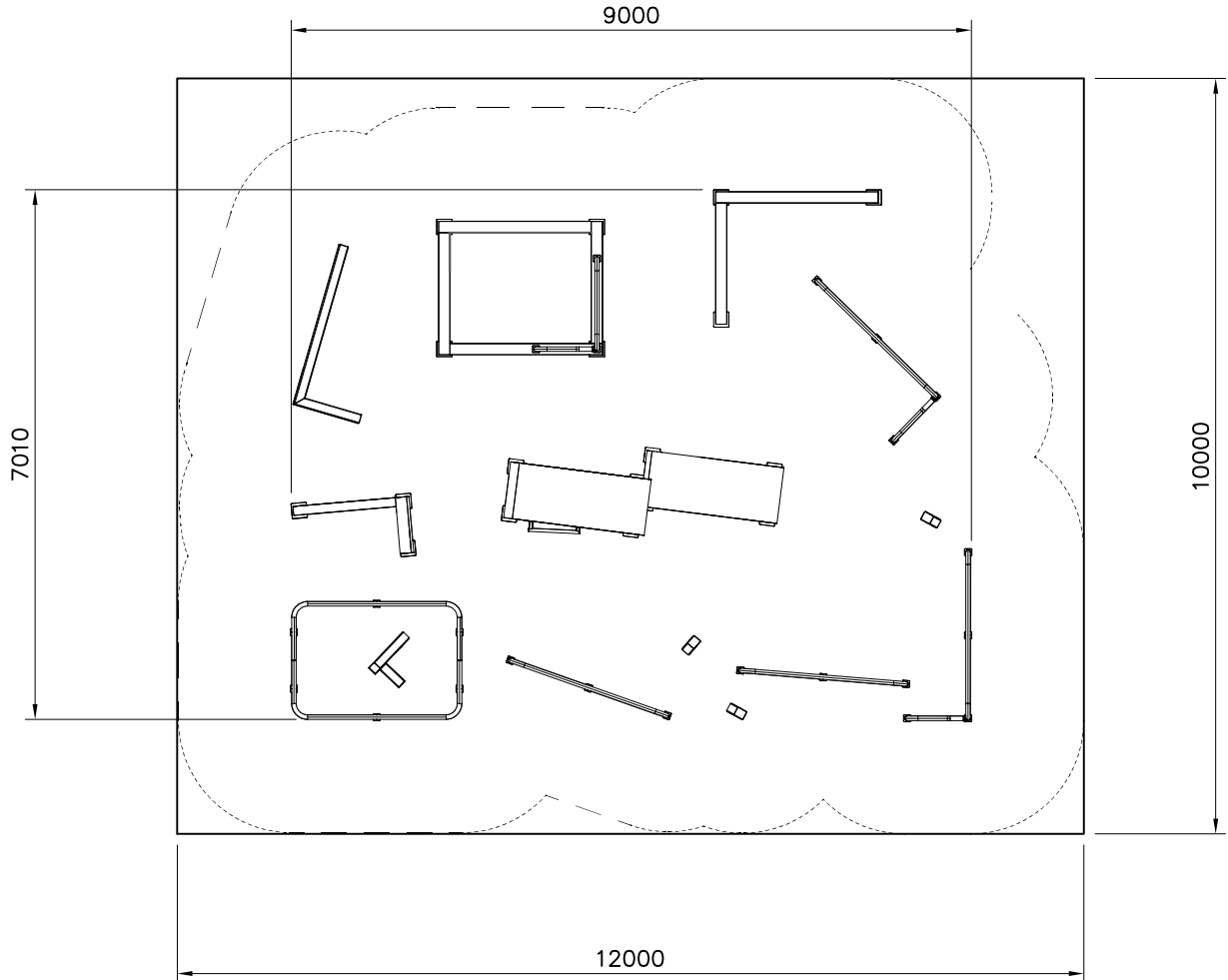
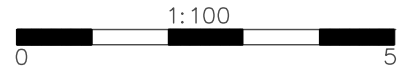


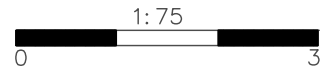
DATE: 29.3.2021

081700M  	PCS 3	081701M  	PCS 1	081703M  	PCS 1	081710M  	PCS 2	081712M  	PCS 2	081713M  	PCS 1
081720M  	PCS 1	081722M  	PCS 1	081728M  	PCS 1	081736M  	PCS 1		PCS		PCS
	PCS		PCS		PCS		PCS		PCS		PCS
	PCS		PCS		PCS		PCS		PCS		PCS
	PCS		PCS		PCS		PCS		PCS		PCS
	PCS		PCS		PCS		PCS		PCS		PCS
	PCS		PCS		PCS		PCS		PCS		PCS

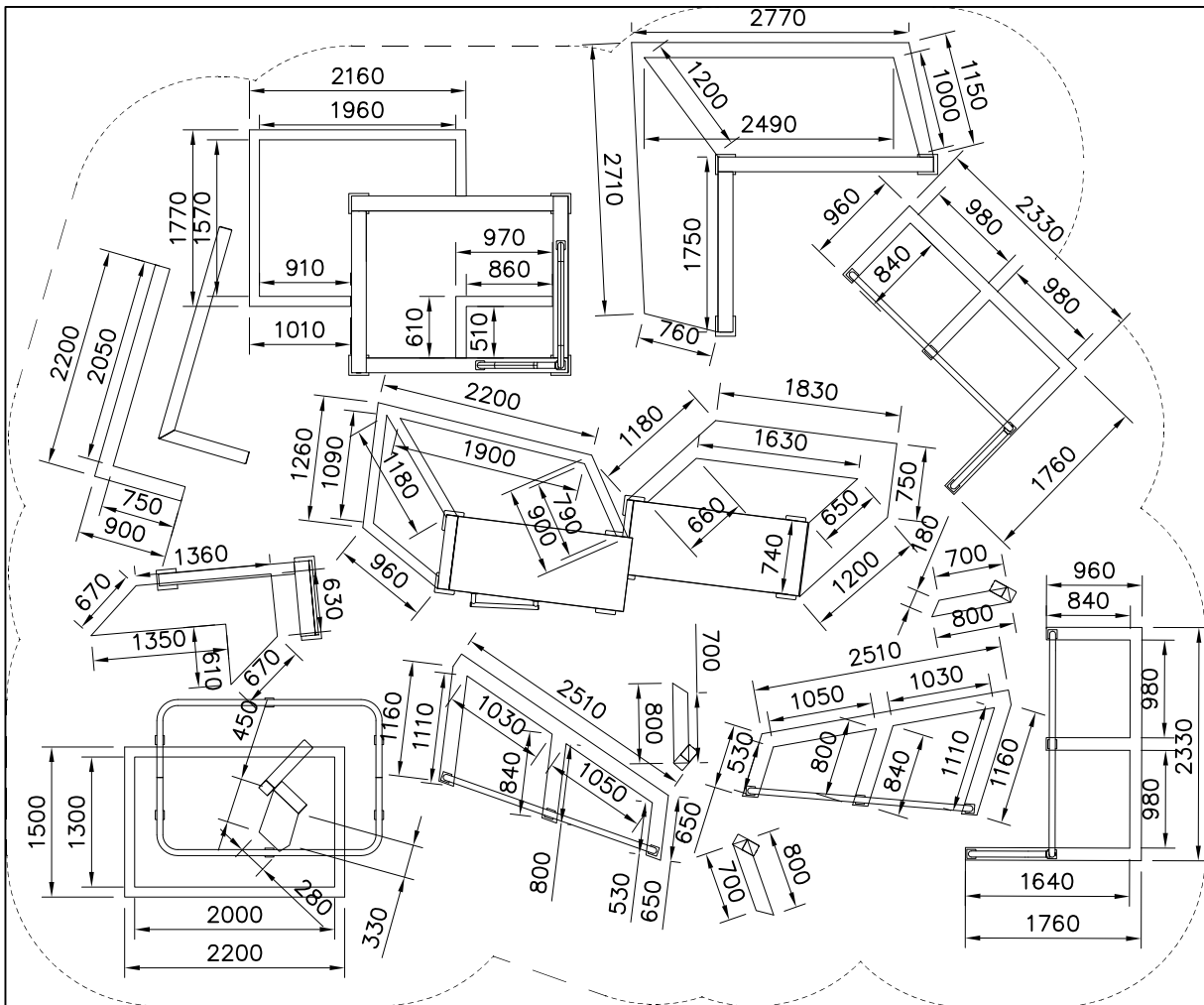


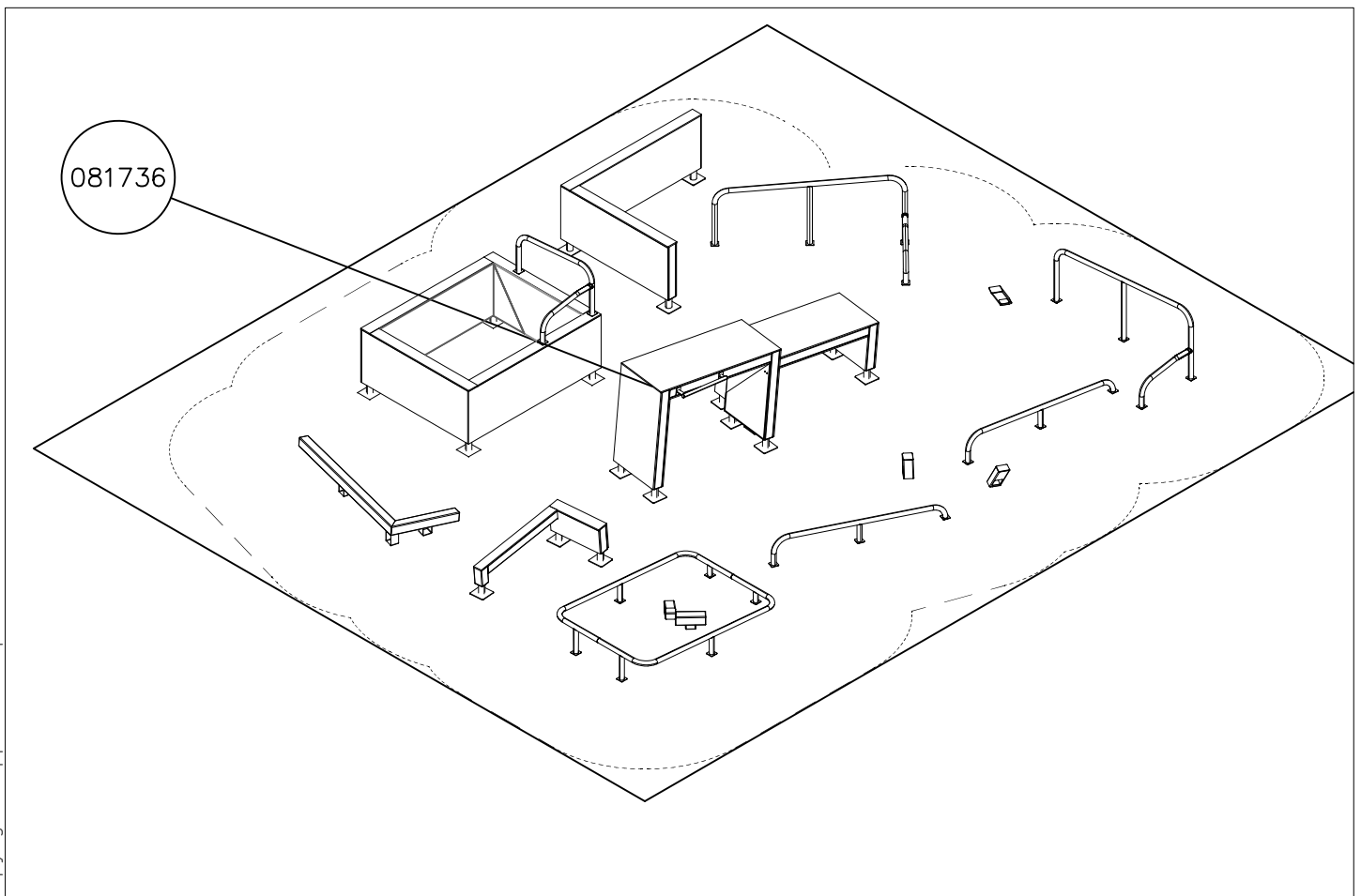
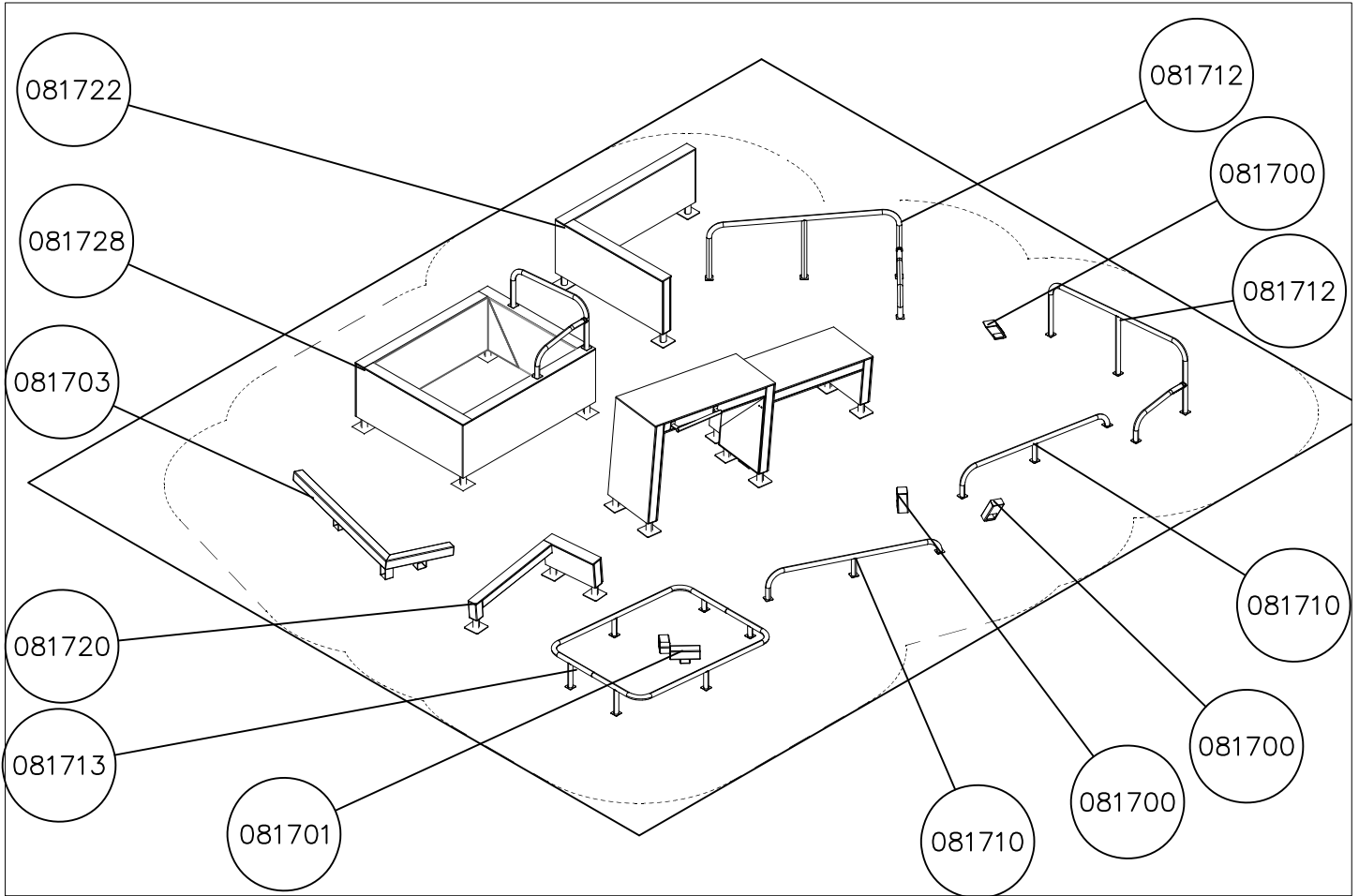
— Falling Space 106.8 m<sup>2</sup>  
Max Falling Height 1575 mm

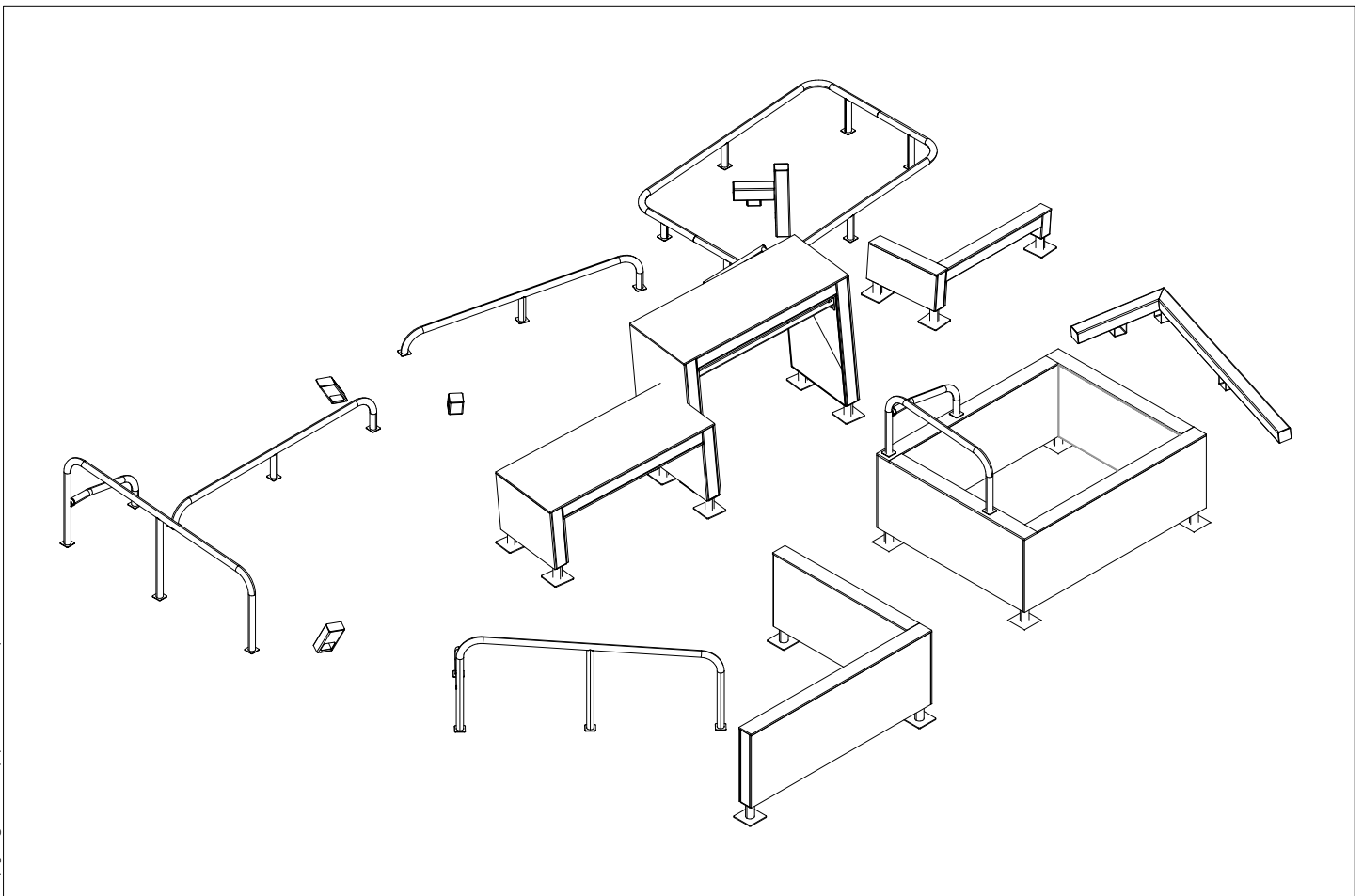
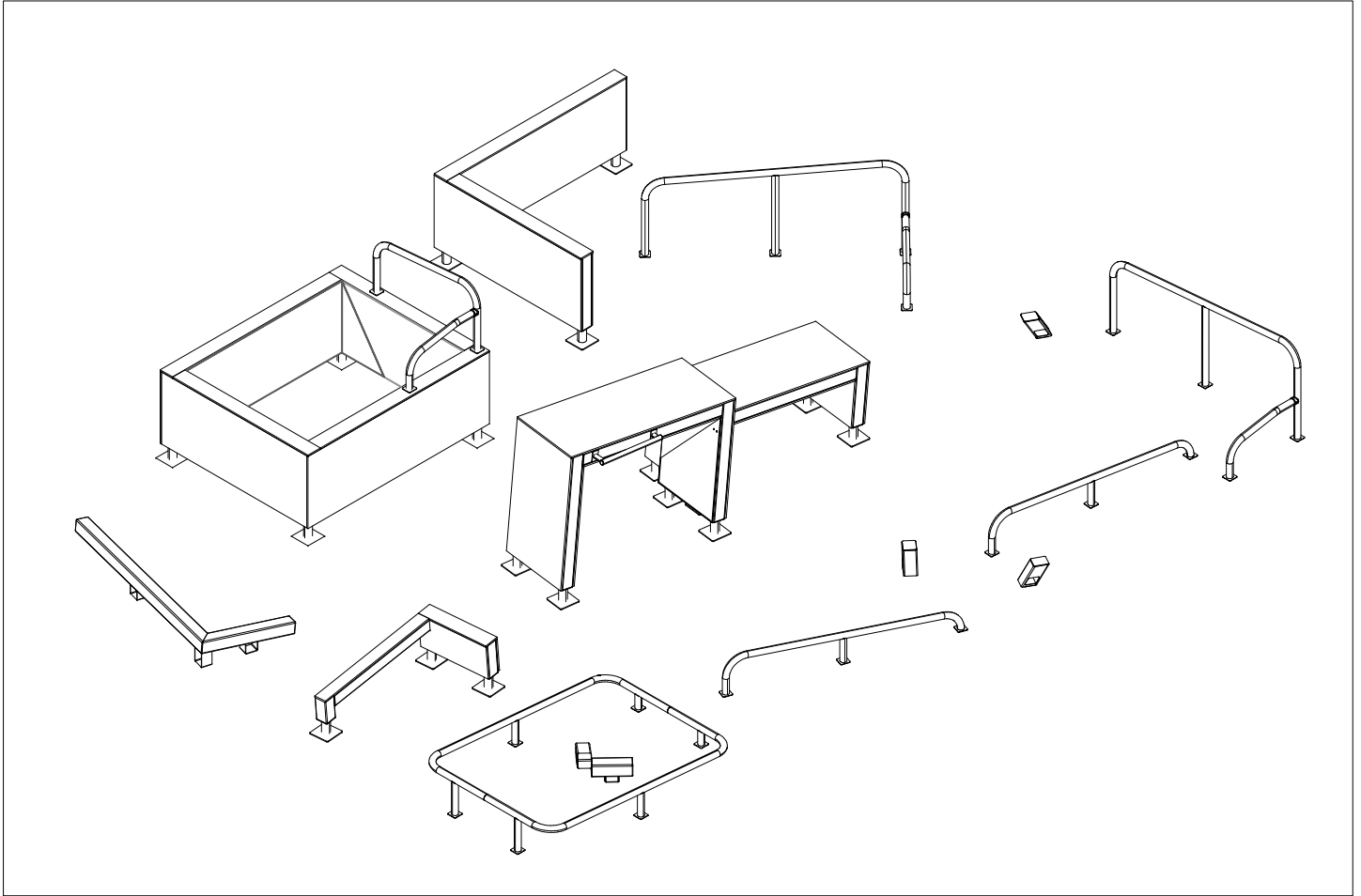


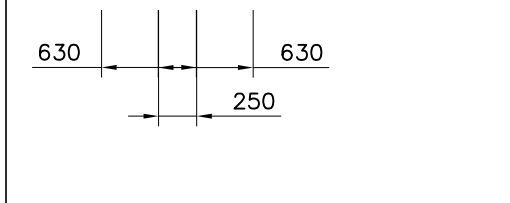
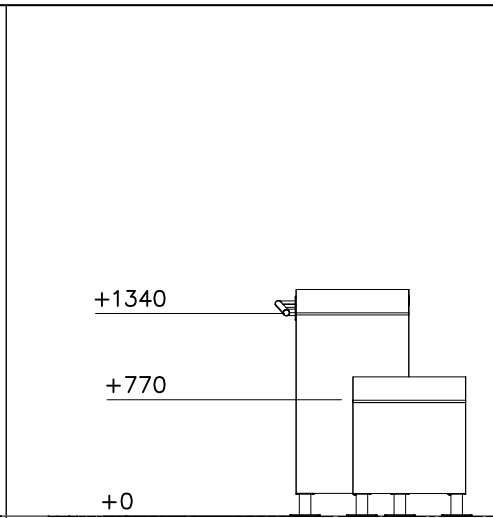
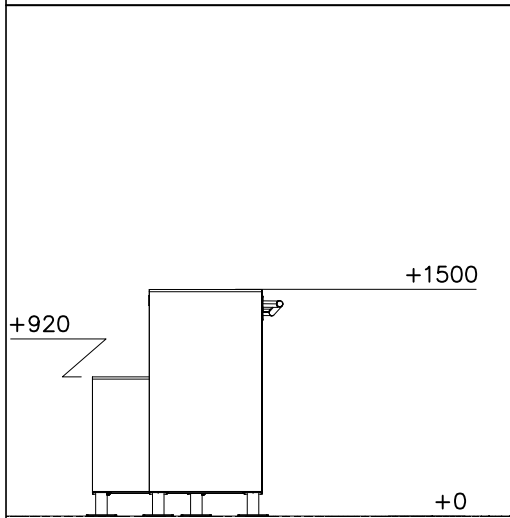
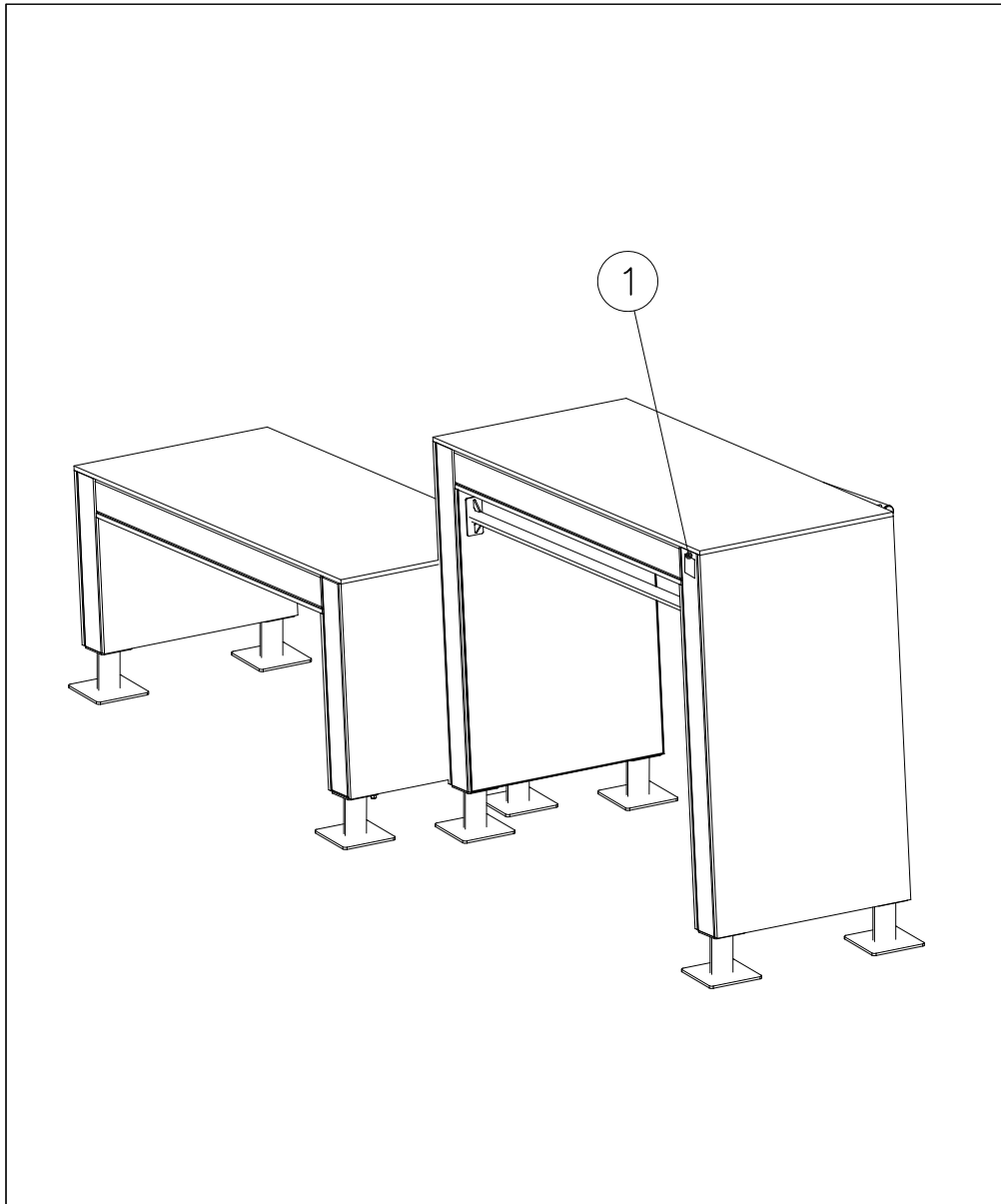



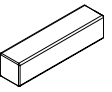

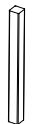



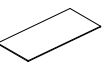
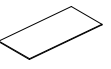
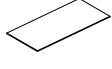
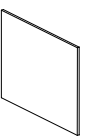

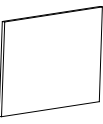
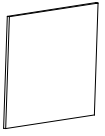
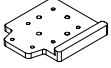

Groundmarks









① 702286  65x65	PCS 1	② 707210  118x118x503	PCS 8
③ 707213  118x118x1490	PCS 4	④ 708042  118x118x1185	PCS 2
⑤ 708125  118x118x1326	PCS 2	⑥ 708127  118x118x603	PCS 2
⑦ 708137  118x118x745	PCS 2	⑧ 708721  15x745x1766	PCS 2
⑨ 708723  15x745x1185	PCS 1	⑩ 708724  15x745x1326	PCS 1
⑪ 708725  15x603x745	PCS 1	⑫ 708726  15x745x745	PCS 1
⑬ 708834  15x745x470	PCS 1	⑭ 708835  15x745x612	PCS 1
⑮ 708857 JIG  20x133x149	PCS 1	⑯ 709204  15x745x1495	PCS 1

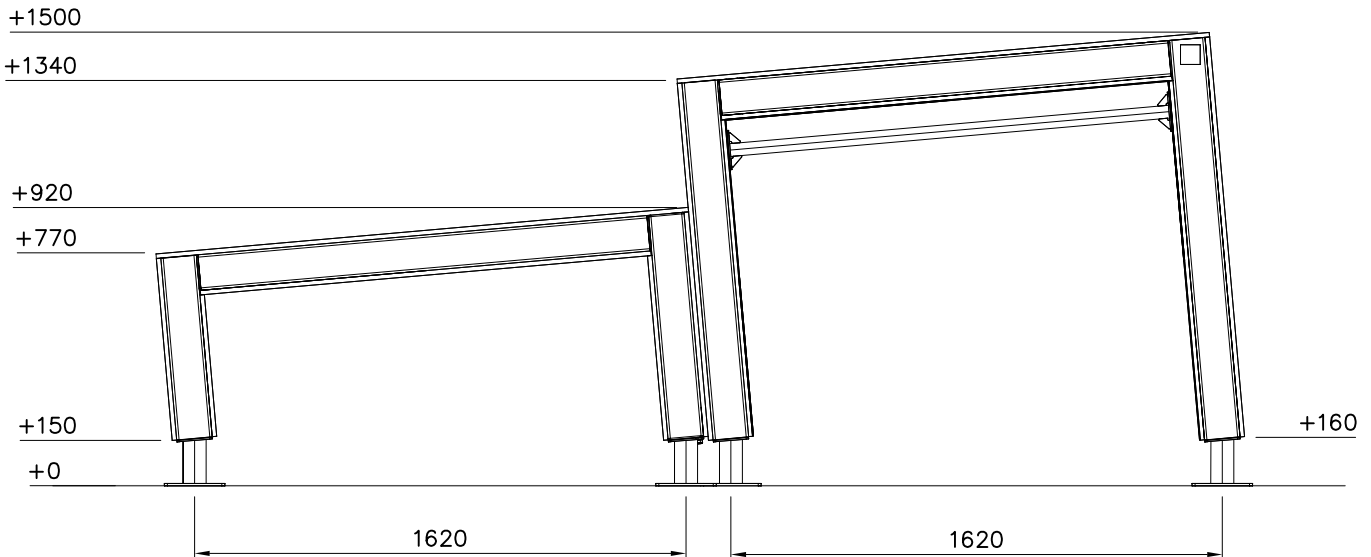


17	911303 COLOR	PCS 1	18	911305 COLOR	PCS 1	19	911307 COLOR	PCS 1	20	900240	PCS 76	21	903093	PCS 20	22	903533	PCS 6																
15x745x1495			15x745x1192			15x745x1050			Ø8x70			Ø8x90			SRL12																		
23	980114	PCS 4	24	905103	PCS 16	25	905112	PCS 16	26	908371	PCS 2	27	908698	PCS 16	28	980100	PCS 96																
Ø4x20			PT-28/32-H			Ø22			42-38/40			3x114x108			Ø5x60																		
29	910328	PCS 1	30	910056	PCS 1	31	910266	PCS 8	32	980123	PCS 88	<p>FOOT OPTIONS</p> <p>709261+      709262+</p> <table border="1"> <tbody> <tr> <td>910267</td> <td>PCS</td> <td>910567</td> <td>PCS</td> </tr> <tr> <td>SURFACE</td> <td>8</td> <td>CONCRETE</td> <td>8</td> </tr> <tr> <td></td> <td></td> <td></td> <td></td> </tr> <tr> <td>152x200x200</td> <td></td> <td>117x117x715</td> <td></td> </tr> </tbody> </table>						910267	PCS	910567	PCS	SURFACE	8	CONCRETE	8					152x200x200		117x117x715	
910267	PCS	910567	PCS																														
SURFACE	8	CONCRETE	8																														
152x200x200		117x117x715																															
L 1466			140x690			90x108x118			Ø7x60																								

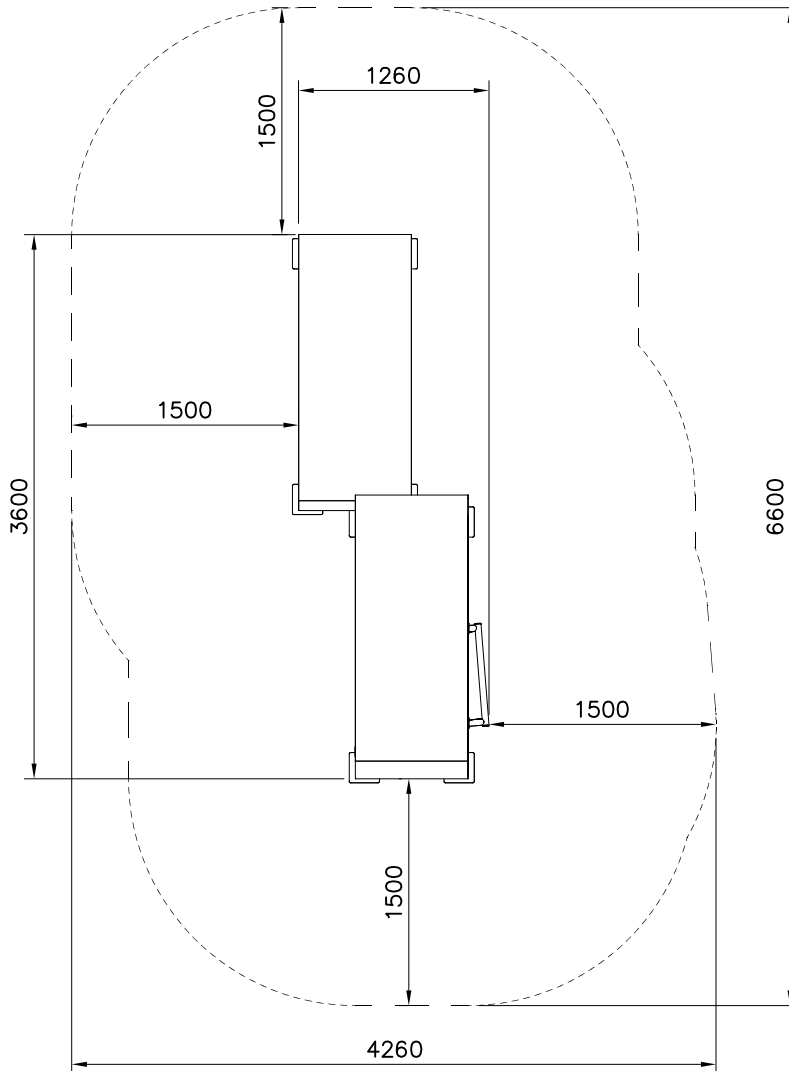
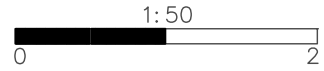
FOOT OPTIONS

709261+      709262+

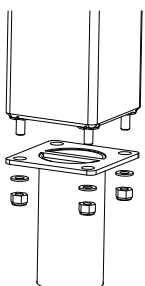
910267	PCS	910567	PCS
SURFACE	8	CONCRETE	8
152x200x200		117x117x715	



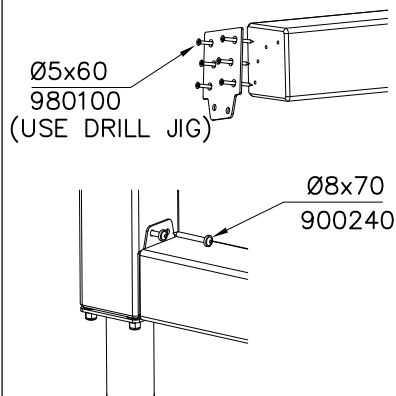
----- Falling Space 23.5 m<sup>2</sup>  
Max Falling Height 1500 mm



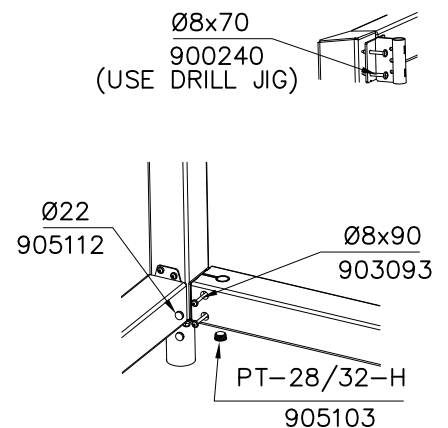
DET 1

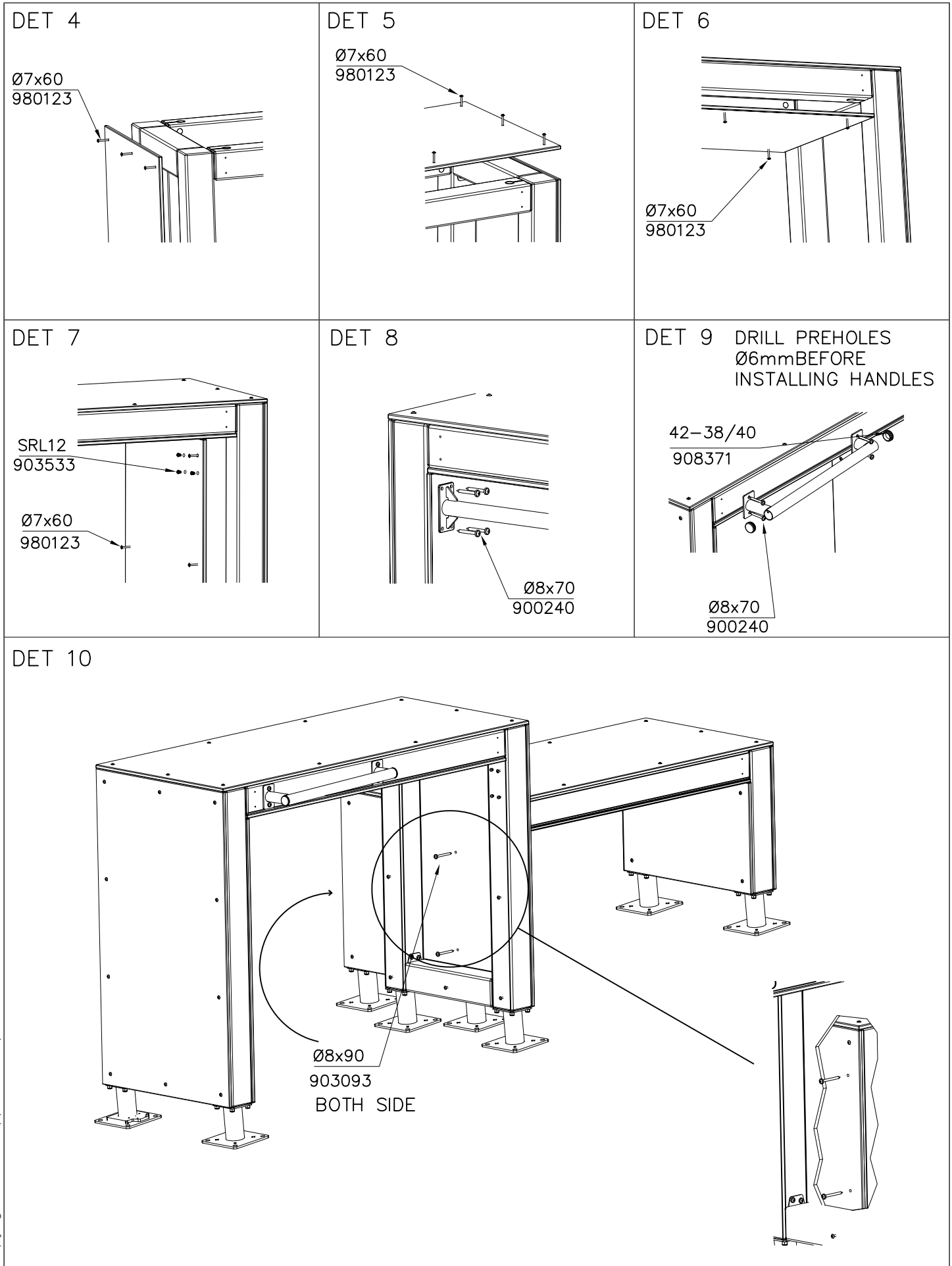


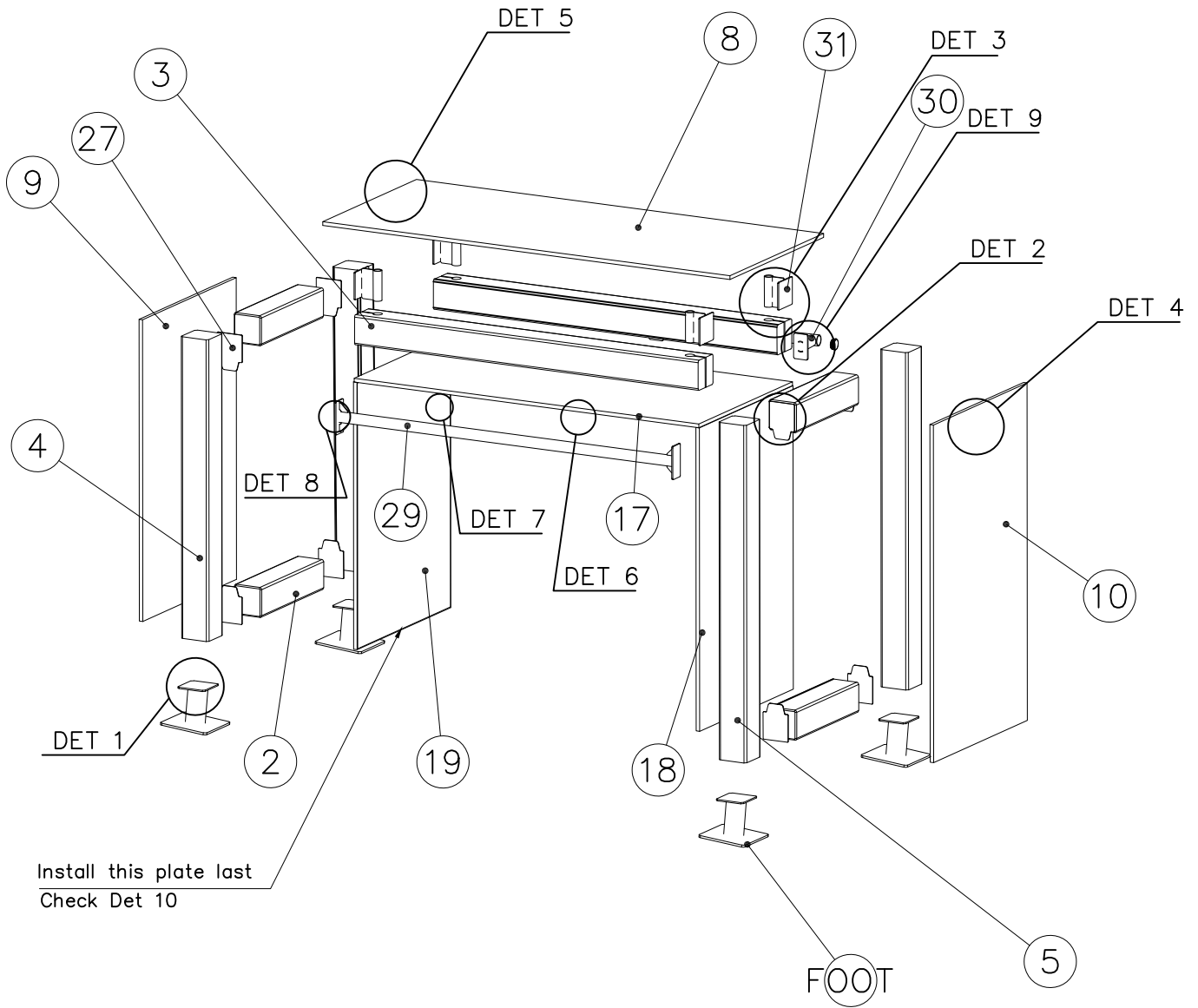
DET 2



DET 3

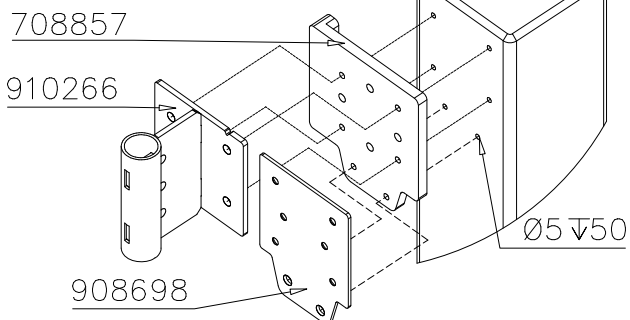




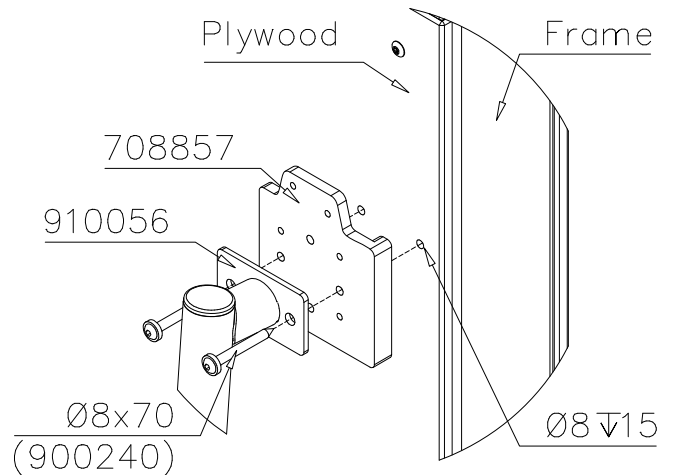


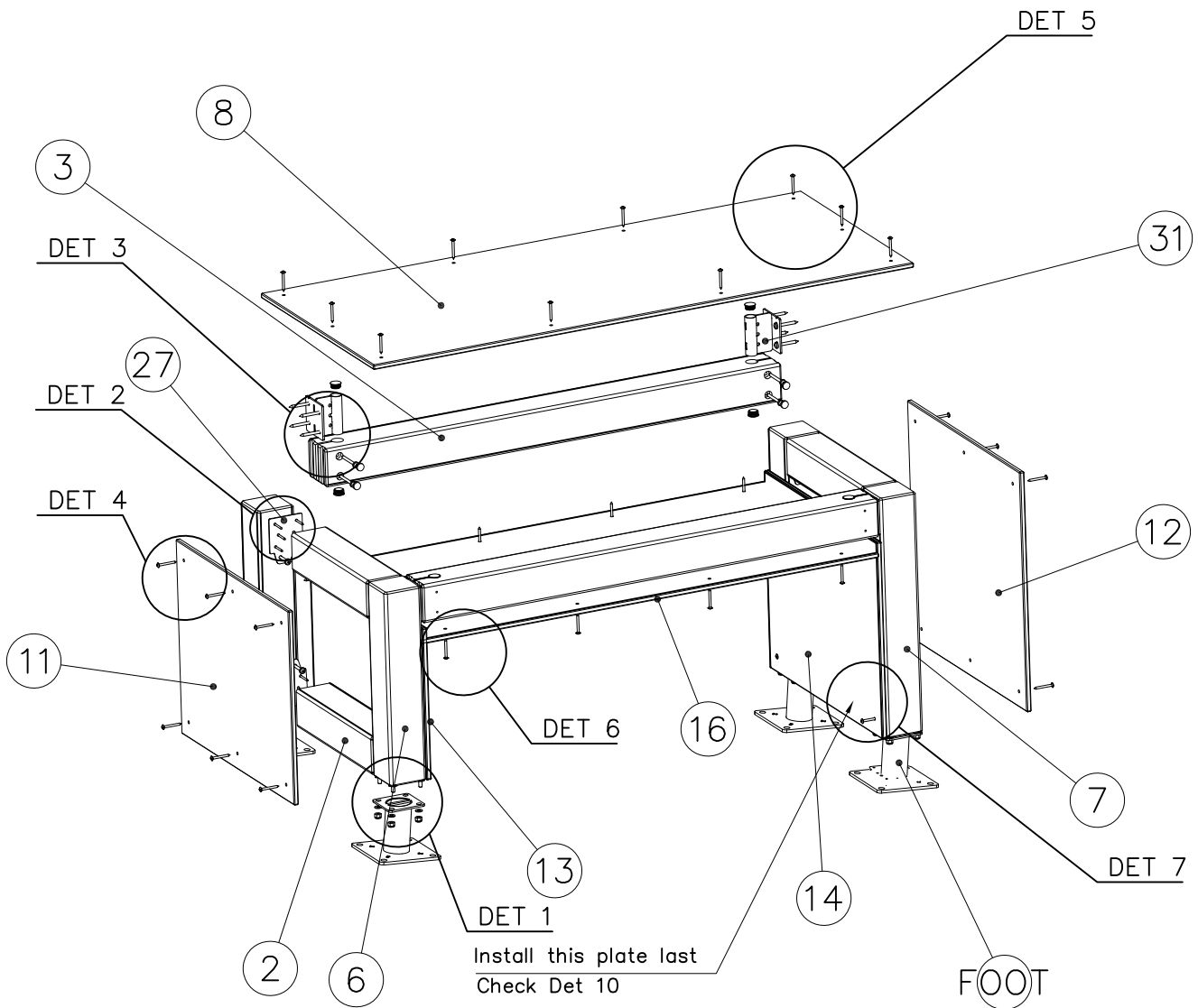
### JIG DET A (USE DET 2-3)

NOTE:  
Use drill jig 708857  
to predrill  $\varnothing 5 \nabla 50$   
holes for 910266  
and 908698



### JIG DET B (USE DET 9)





### JIG DET A (USE DET 2-3)

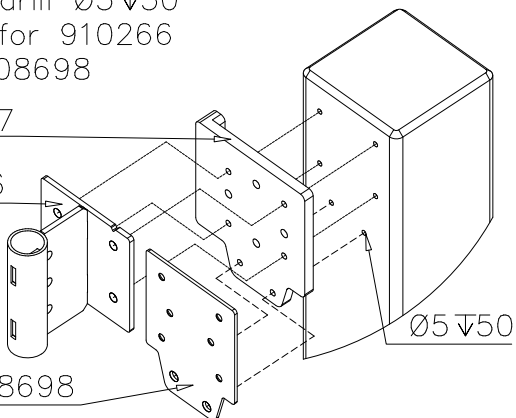
**NOTE:**

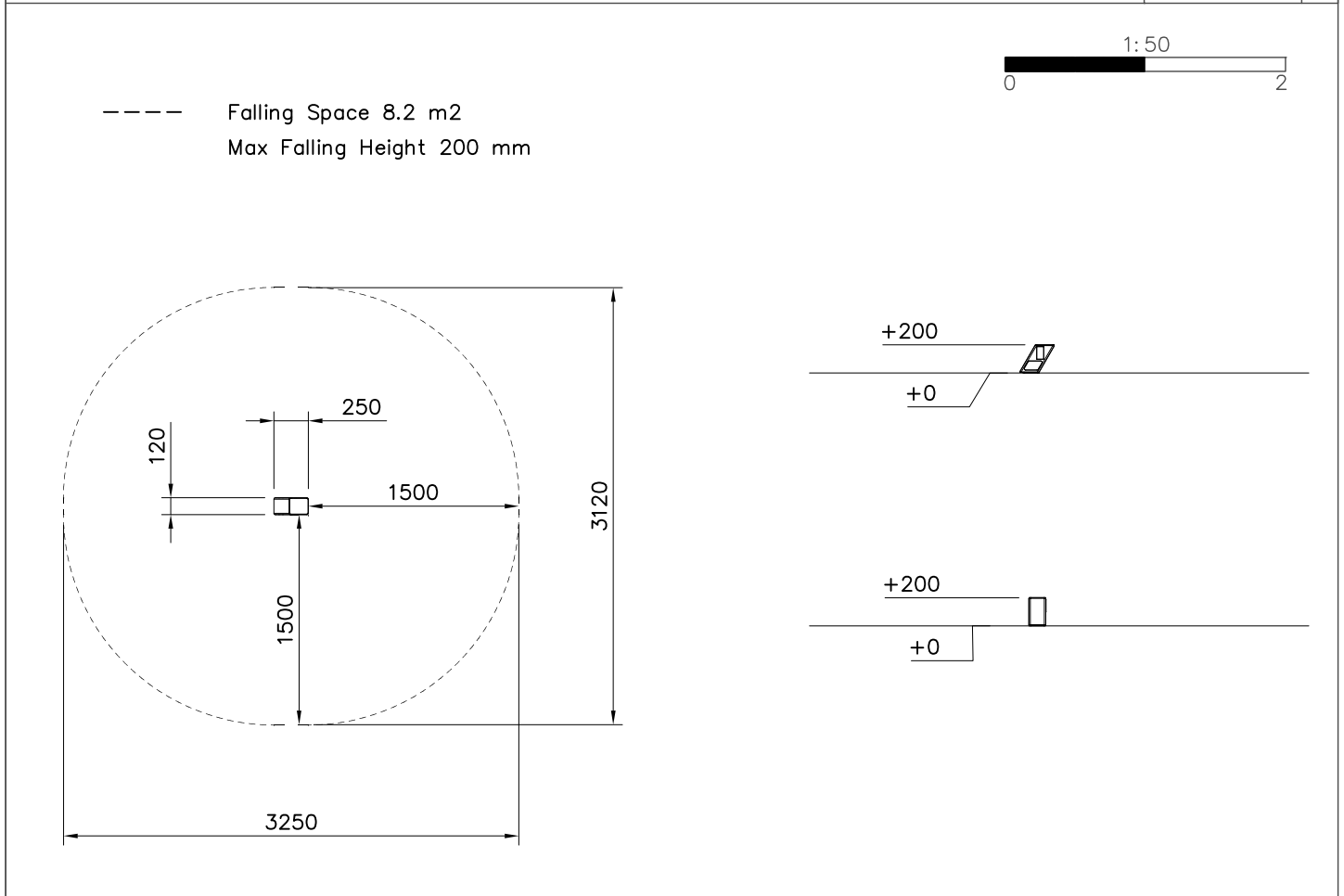
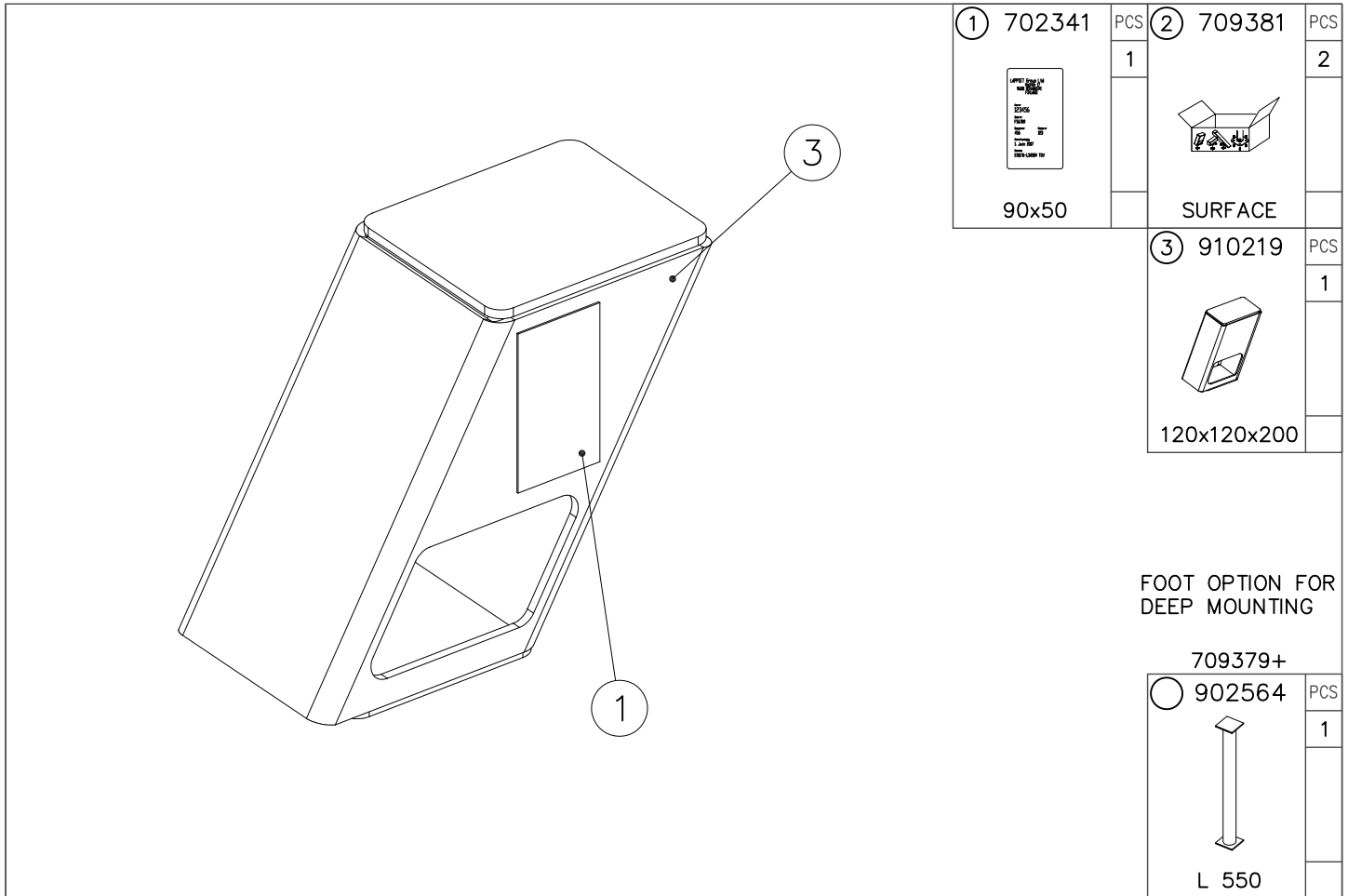
Use drill jig 708857 to predrill  $\text{Ø}5 \nabla 50$  holes for 910266 and 908698

708857

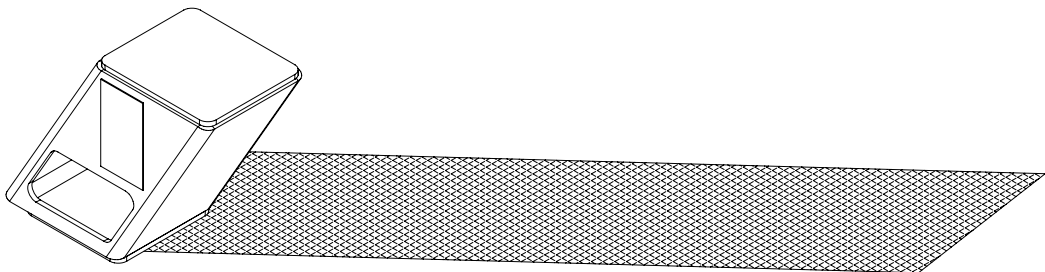
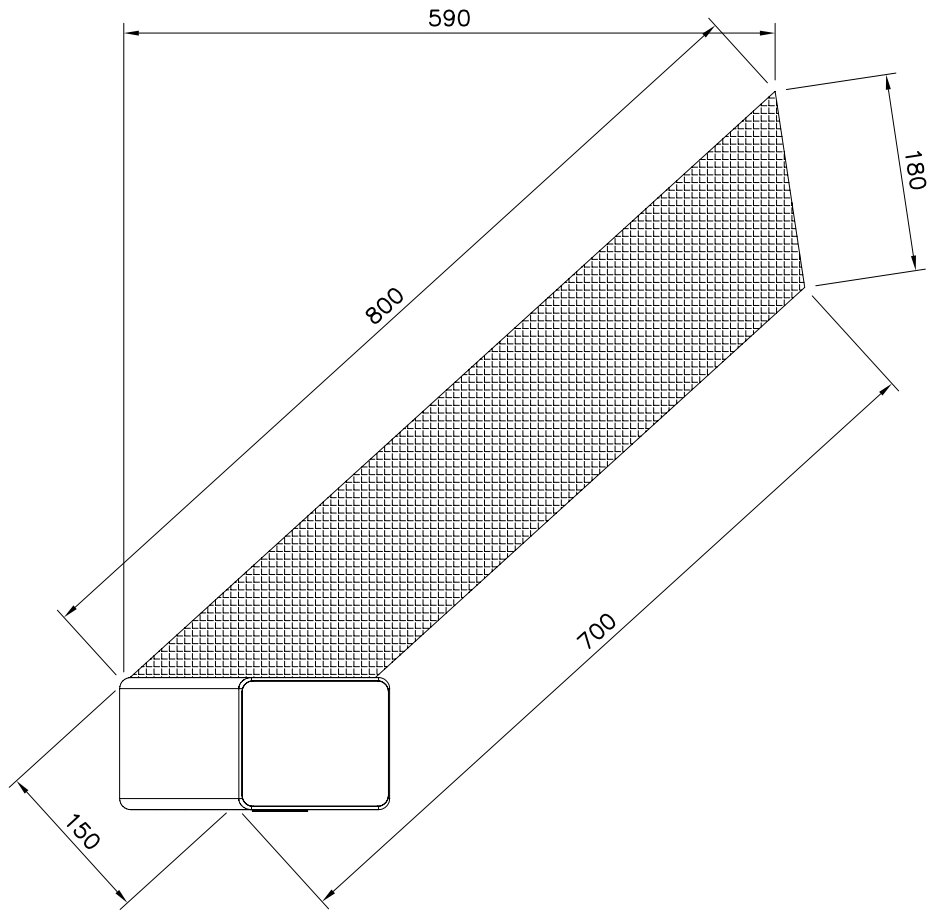
910266

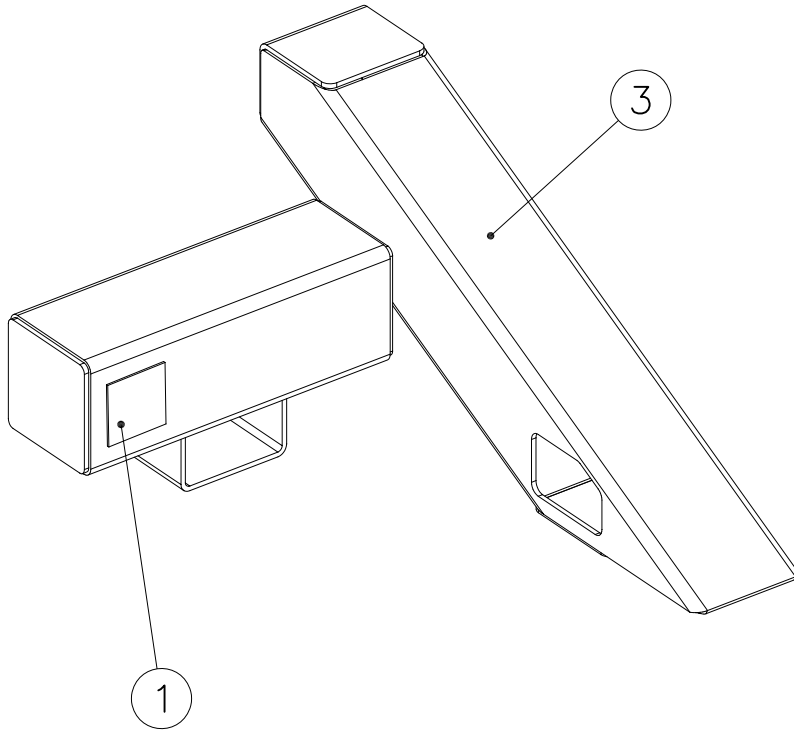
908698

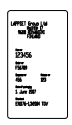



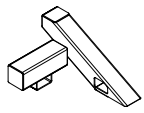


Shadow lines




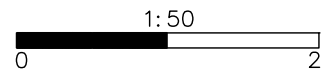


① 702341	PCS	② 709381	PCS
	1		2
90x50		SURFACE	

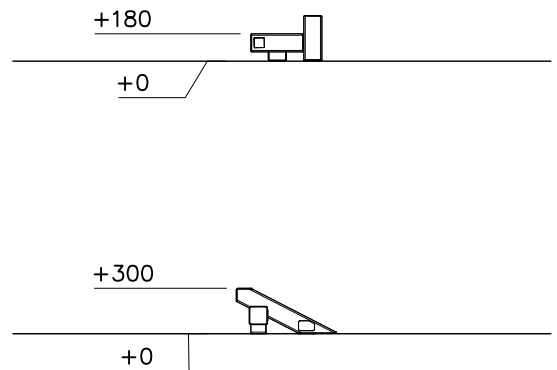
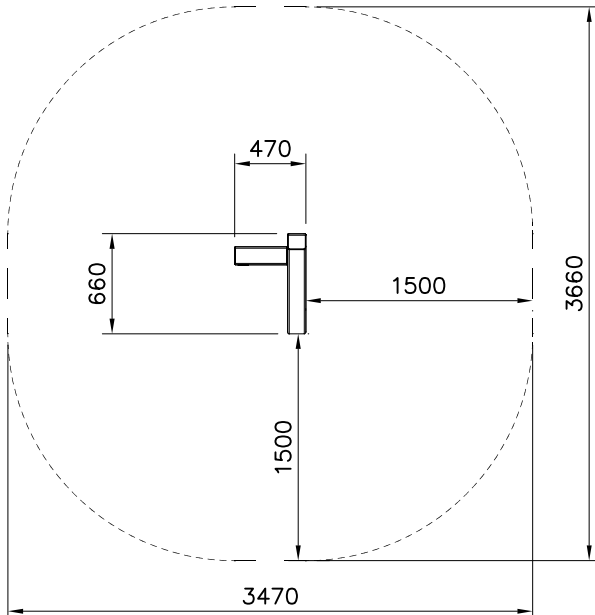
③ 910220	PCS
	1
300x470x662	

FOOT OPTION FOR DEEP MOUNTING

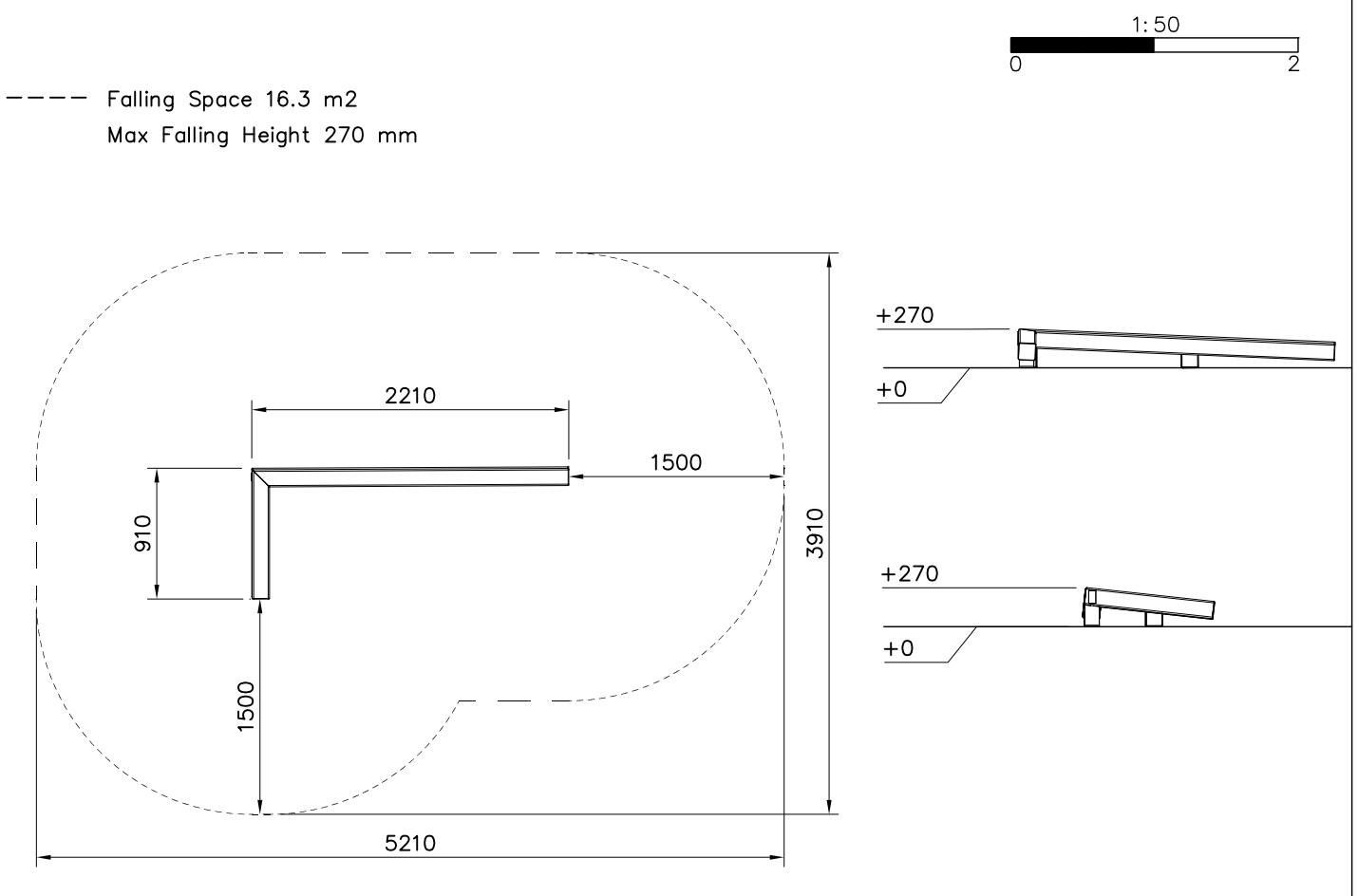
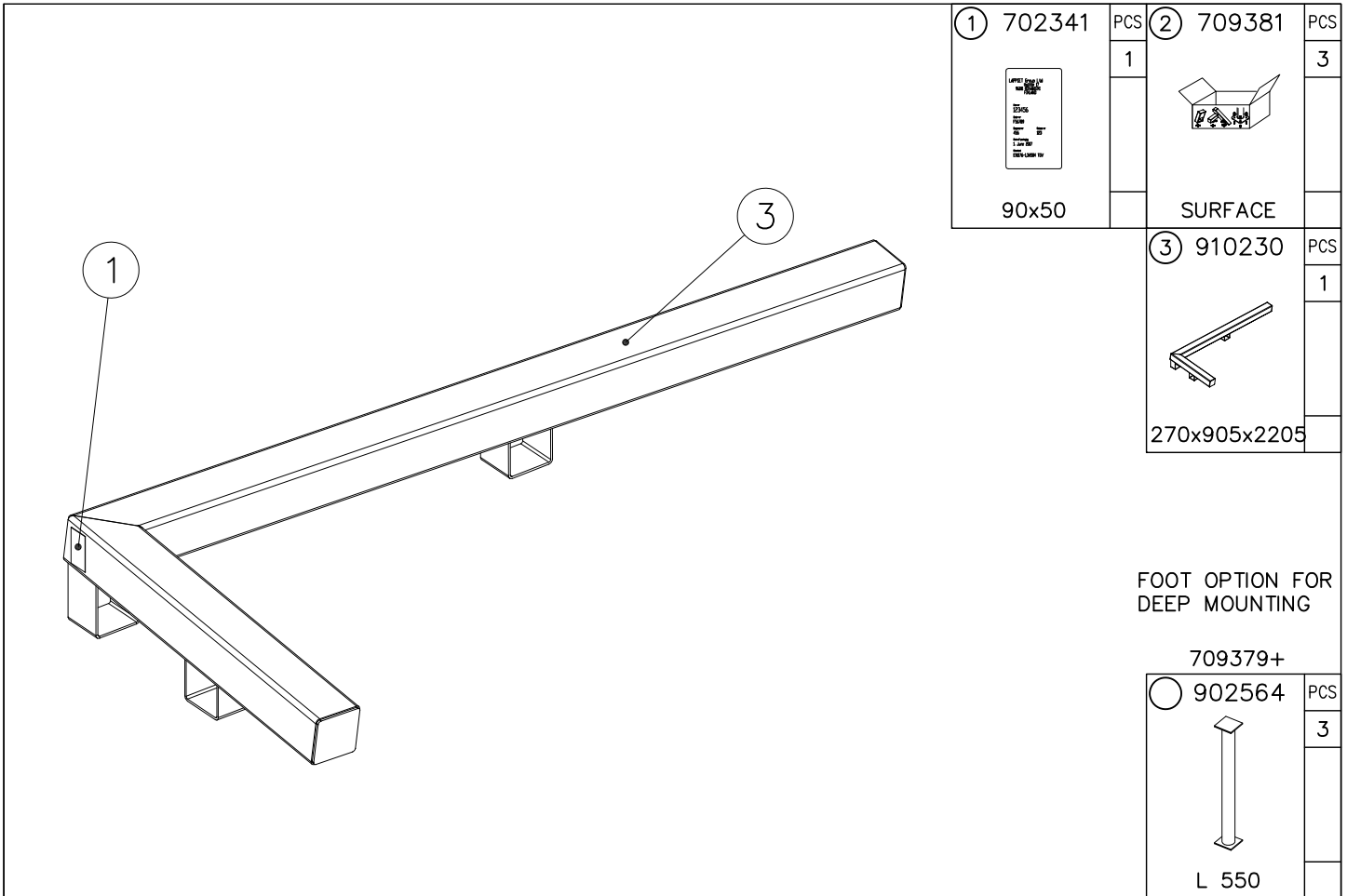
709379+	
○ 902564	PCS
	2
L 550	

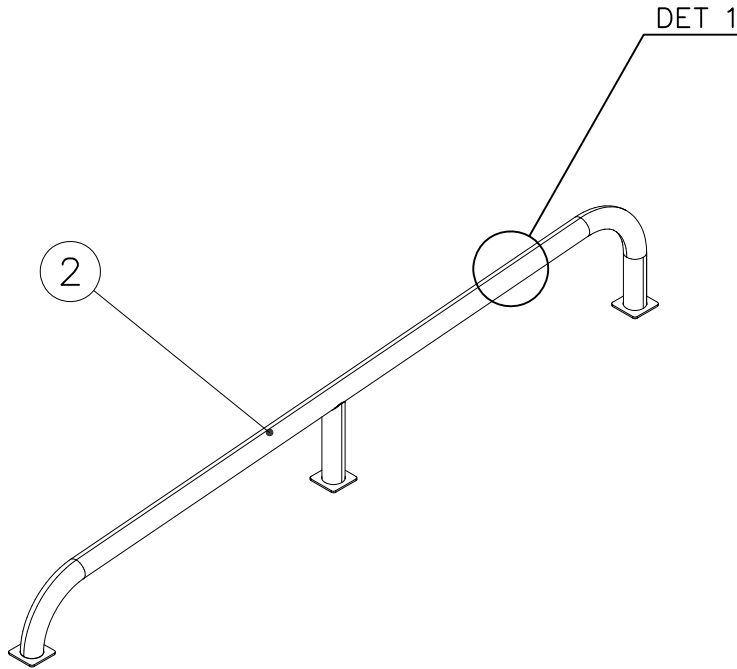


----- Falling Space 10.8 m<sup>2</sup>  
 Max Falling Height 300 mm



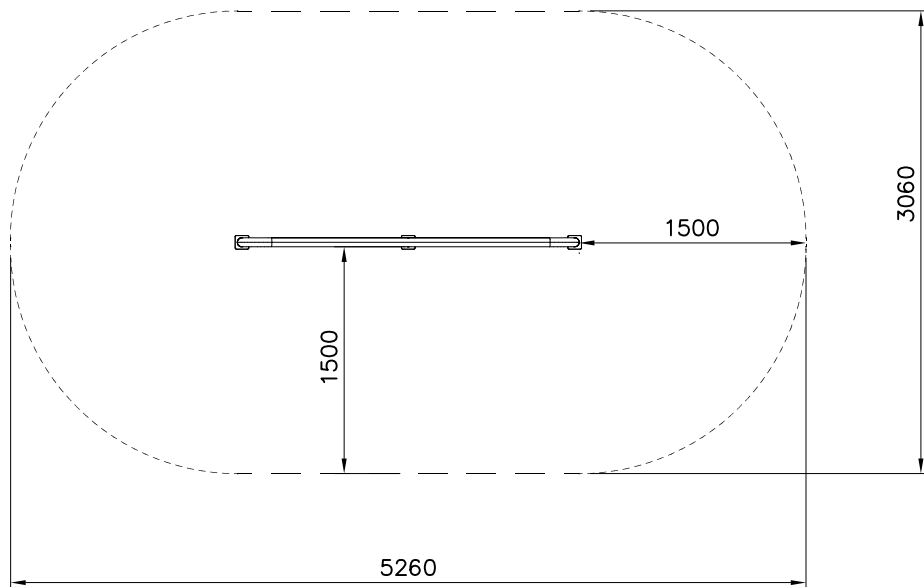
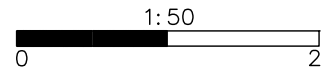


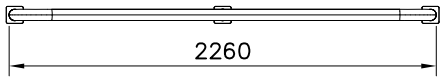
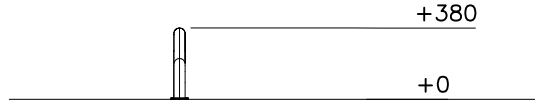
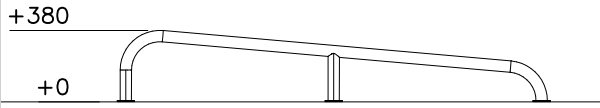




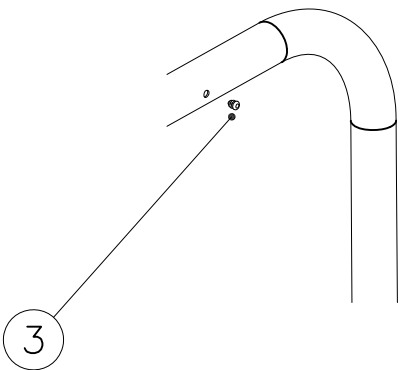
① 702341  90x50	PCS	② 910253  Ø60x376x2290	PCS
	1		1
③ 903533  SRL12	PCS		PCS
	4		

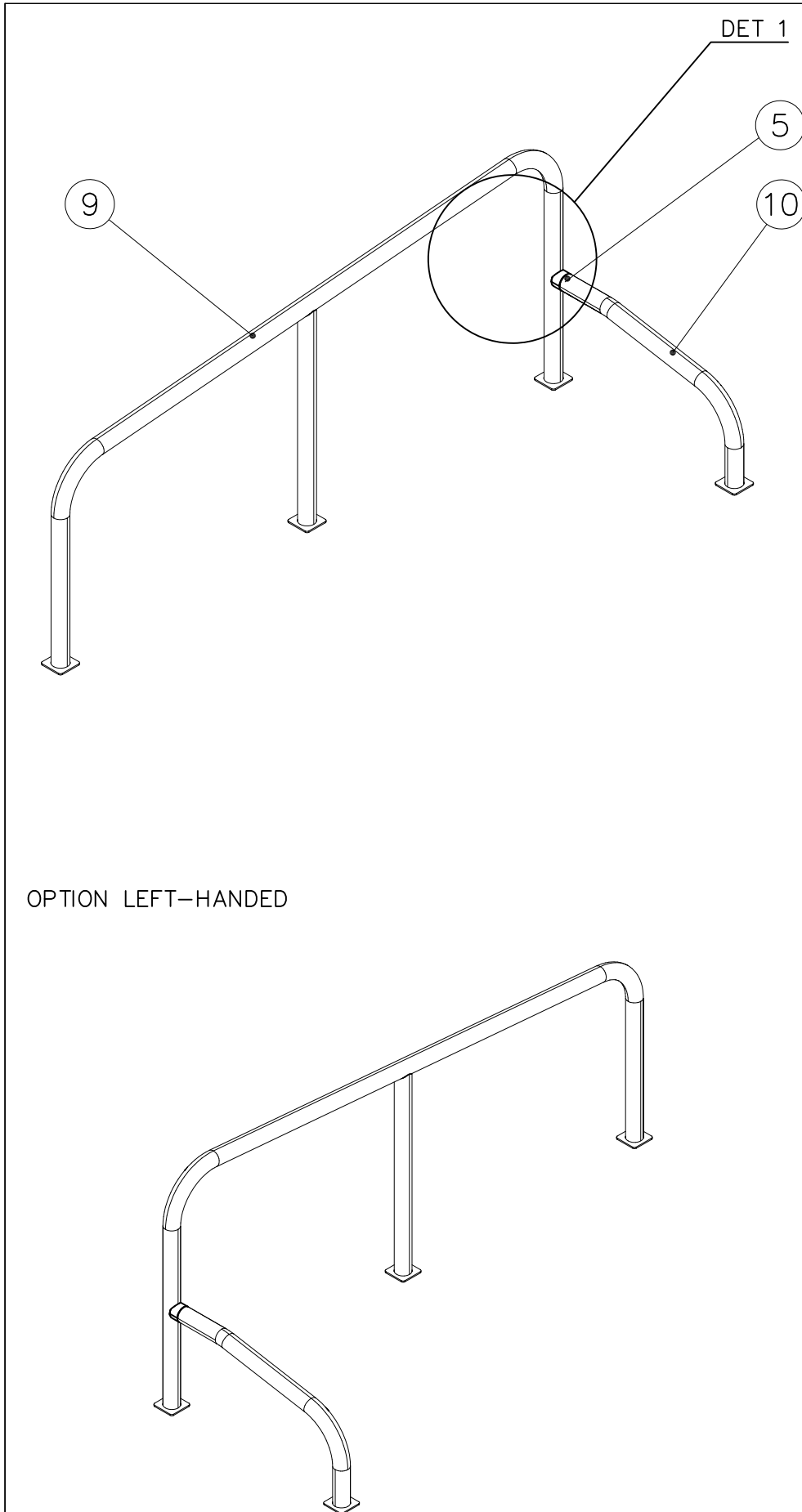
----- Falling Space 14.2 m<sup>2</sup>  
 Max Falling Height 380 mm

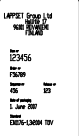


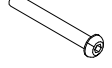
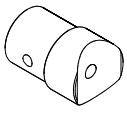



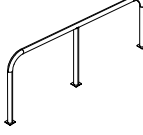
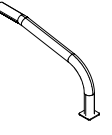





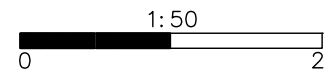
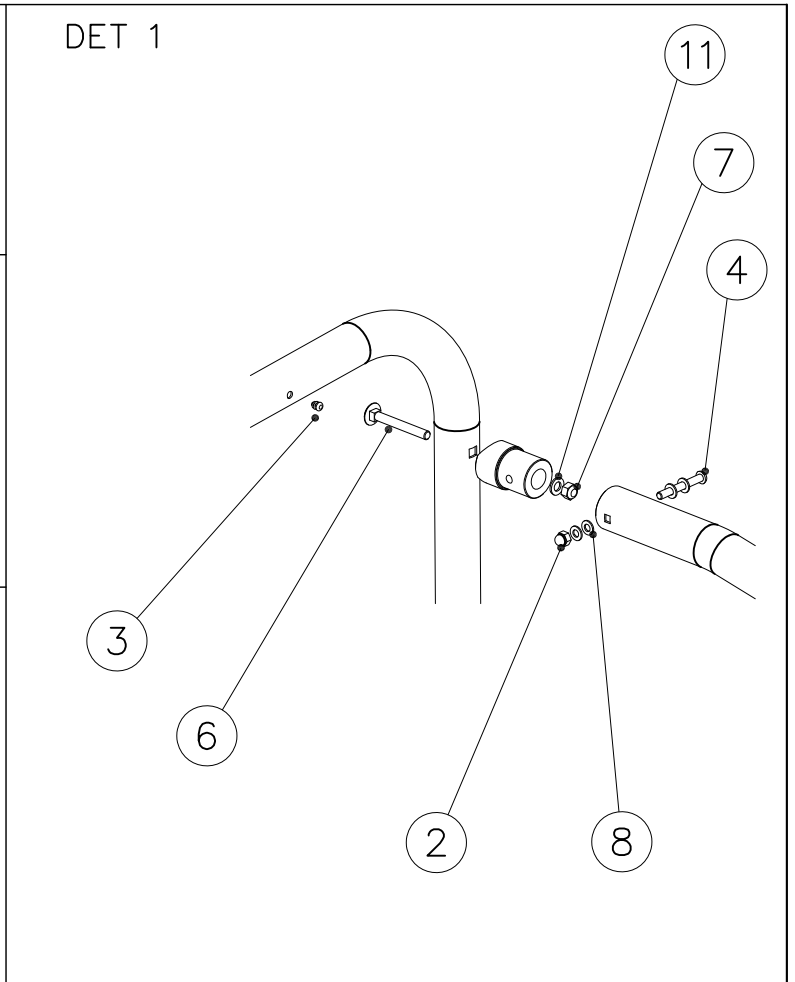
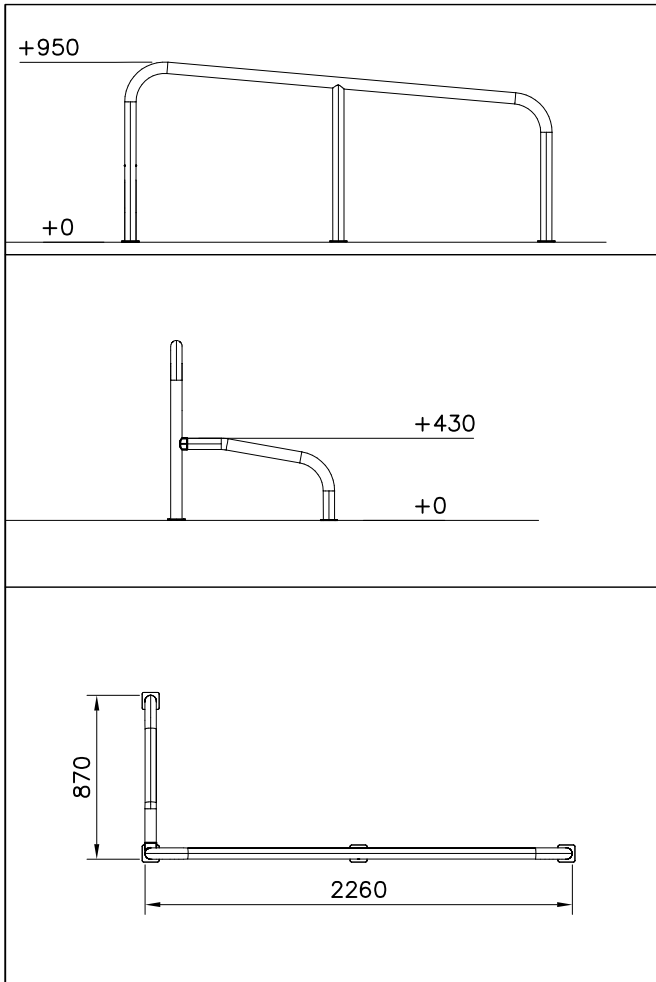
DET 1



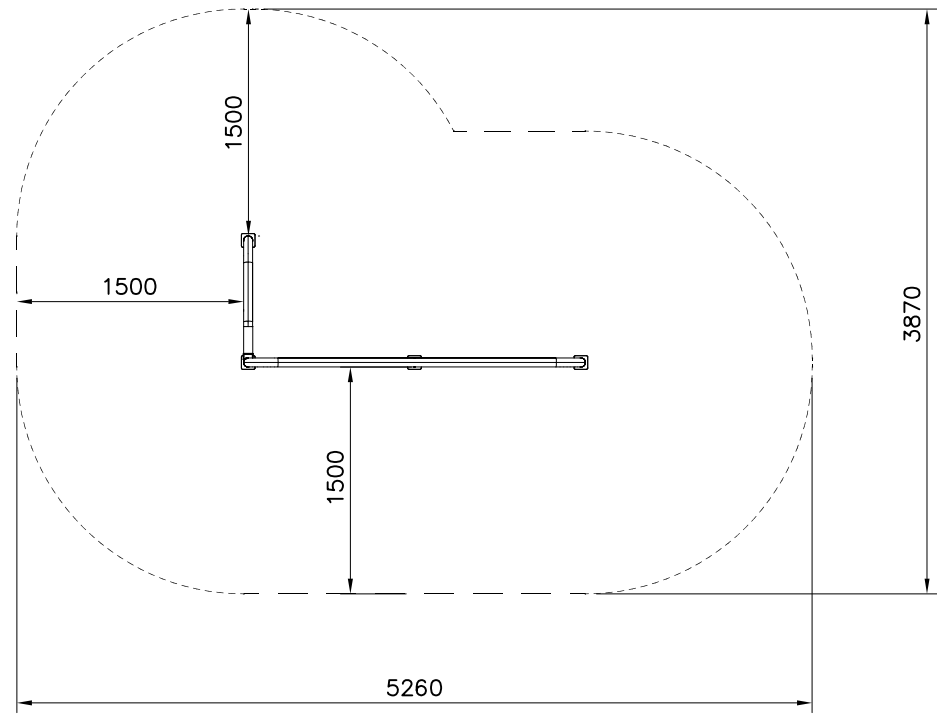


①	702341	PCS	②	900965	PCS
		1			1
	90x50		M10		
③	903533	PCS	④	904133	PCS
		4			1
	SRL12		M10x80		
⑤	908069	PCS	⑥	909111	PCS
		1			1
	Ø60x87.6		M12x100		
⑦	909248	PCS	⑧	909638	PCS
		1			4
	M12		Ø20/10.5		
⑨	910255	PCS	⑩	910262	PCS
		1			1
	Ø60x950x2290		Ø60x435x795		
⑪	980154	PCS			PCS
		1			
	Ø24/13				

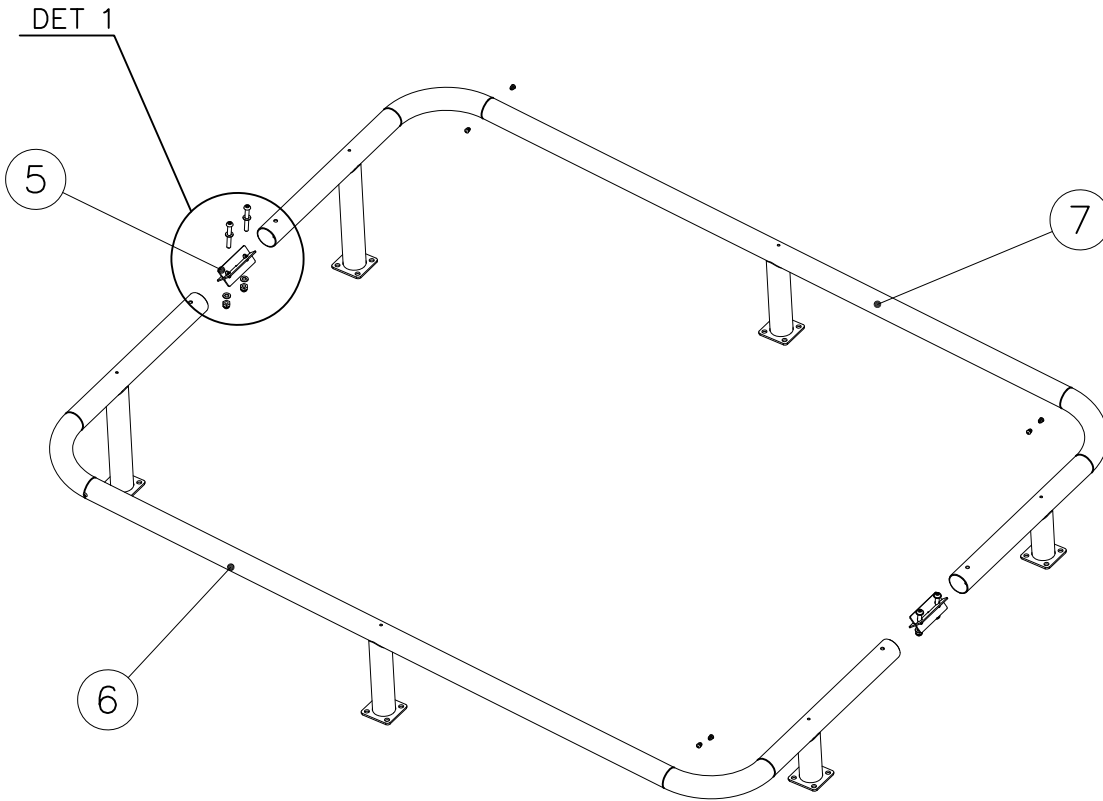
OPTION LEFT-HANDED



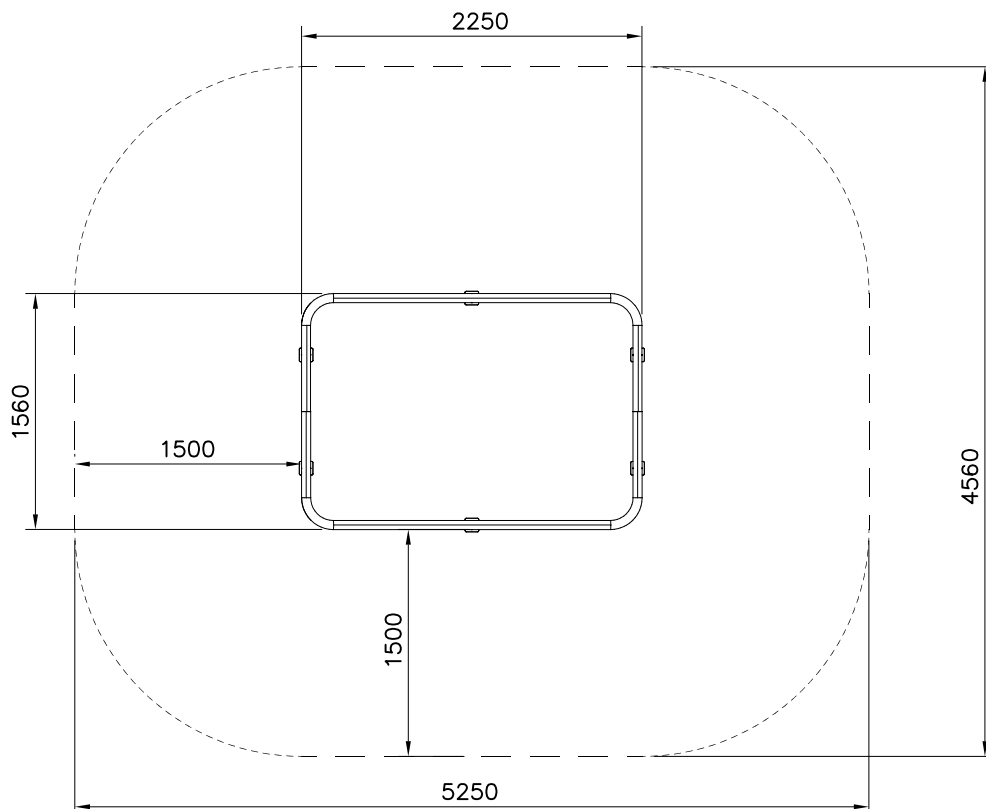
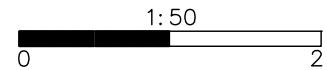
----- Falling Space 16.2 m2  
 Max Falling Height 950 mm

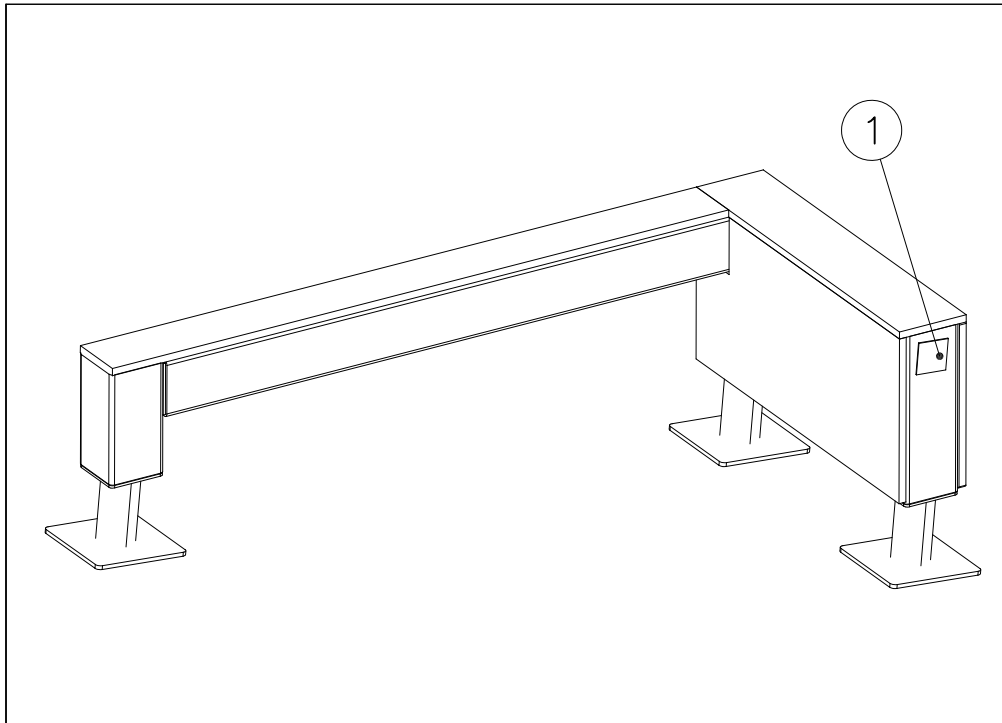



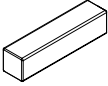







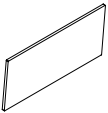
----- Falling Space 22 m2  
Max Falling Height 390 mm

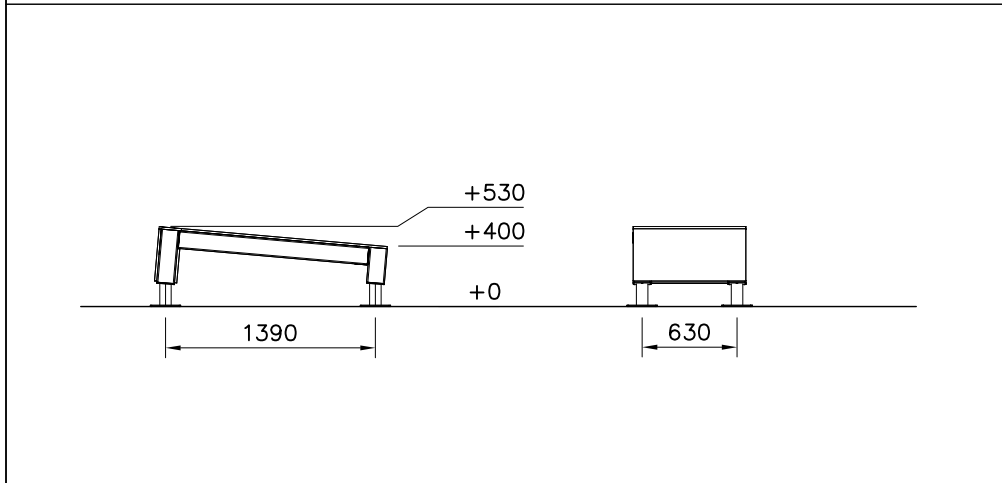


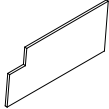
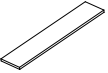



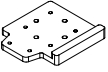
① 702286	PCS	② 707210	PCS
	1		2
65x65		118x118x503	

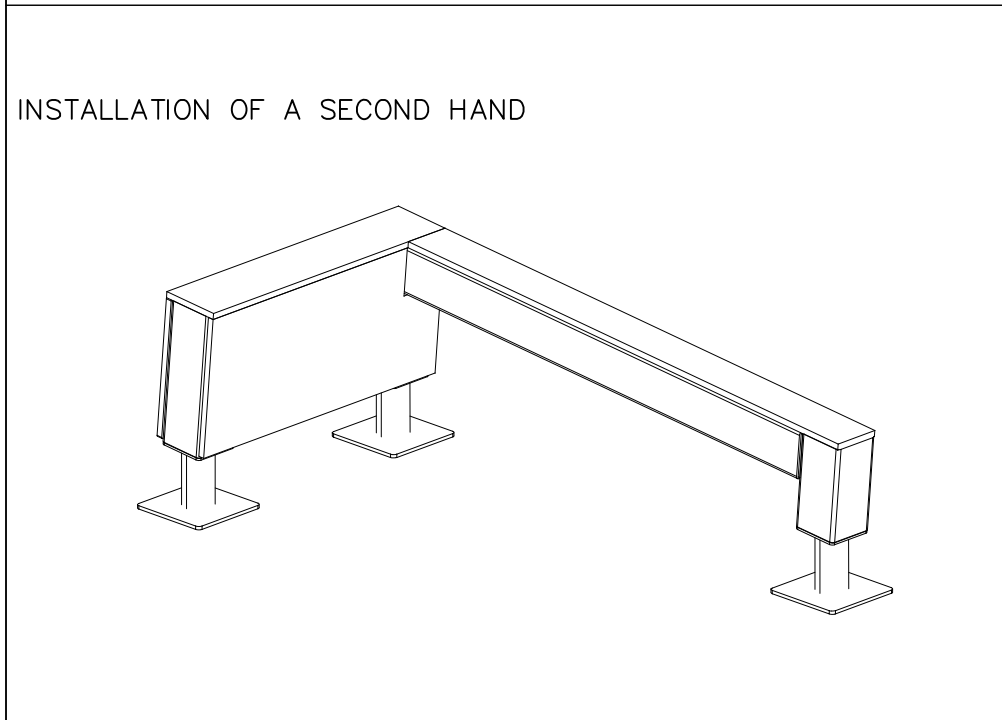
③ 707212	PCS	④ 708347	PCS
	1		1
118x118x1254		118x118x231	

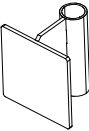

⑤ 708443	PCS	⑥ 708727	PCS
	2		1
118x118x352		15x346x745	






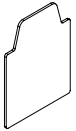
⑦ 708730	PCS	⑧ 708733	PCS
	1		1
15x346x745		15x148x745	

⑨ 708734	PCS	⑩ 708857 JIG	PCS
	1		1
15x118x1365		20x133x149	






⑪ 910266	PCS	⑫ 900240	PCS
	2		16
90x108x118		Ø8x70	

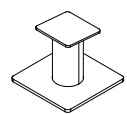

⑬ 903093	PCS	⑭ 905103	PCS
	4		2
Ø8x90		PT-28/32-H	

⑮ 905112	PCS	⑯ 908698	PCS
	4		4
Ø22		3x114x108	

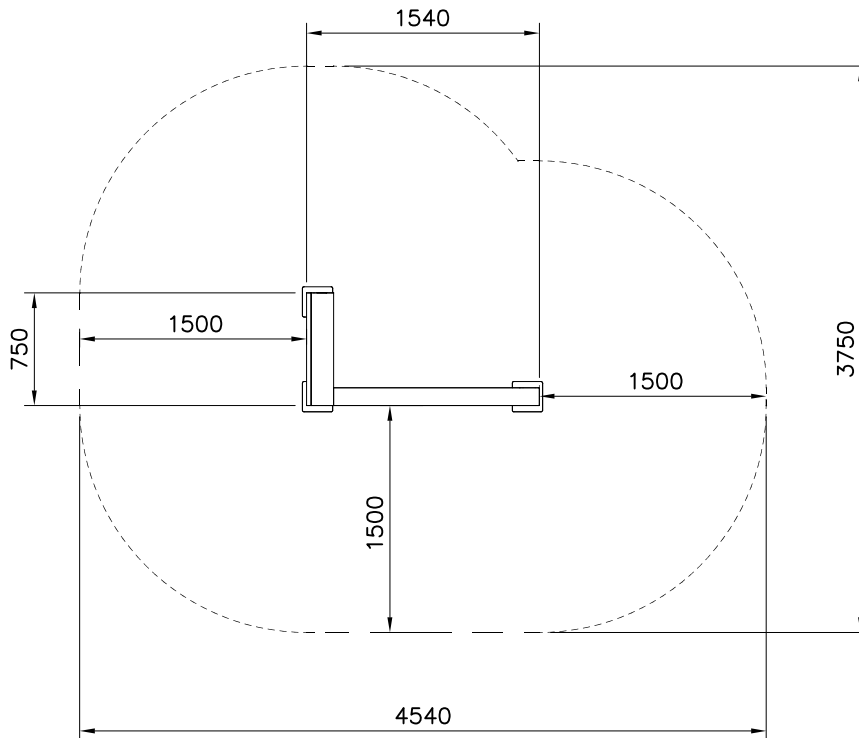
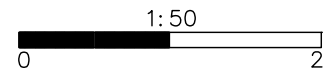


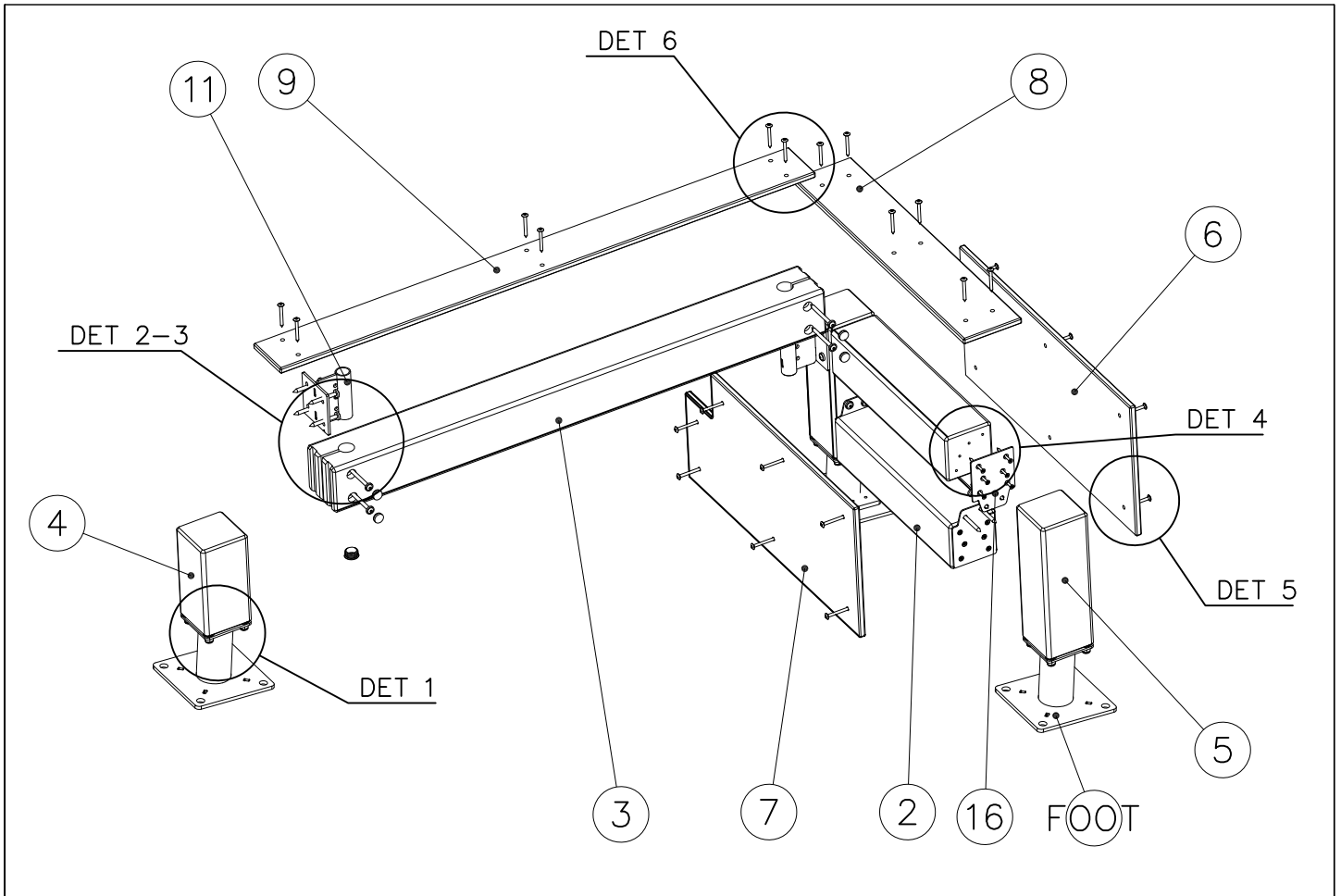
17	980100	PCS	18	980114	PCS	19	980123	PCS
		28			4			25
								
	Ø5x60			Ø4x20			Ø7x60	

### FOOT OPTIONS

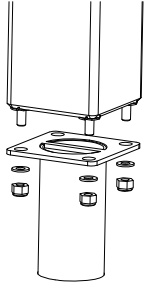
709261+		709262+	
○ 910267	PCS	○ 910567	PCS
SURFACE	3	CONCRETE	3
			
152x200x200		117x117x715	

----- Falling Space 13.8 m<sup>2</sup>  
Max Falling Height 530 mm

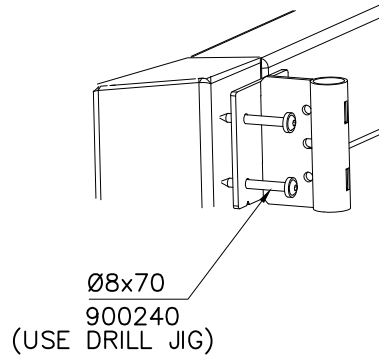




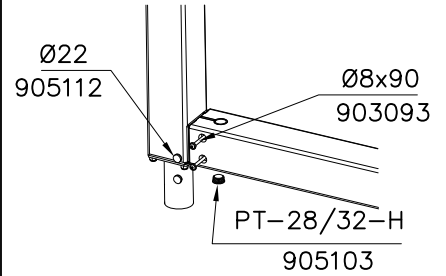
DET 1



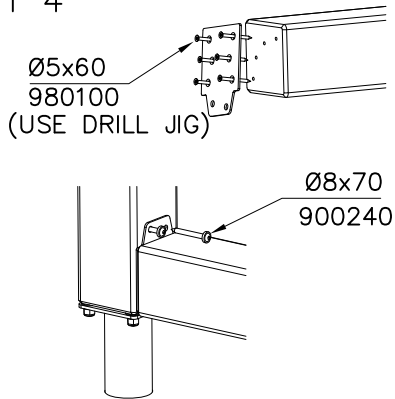
DET 2



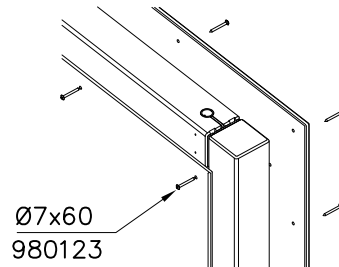
DET 3



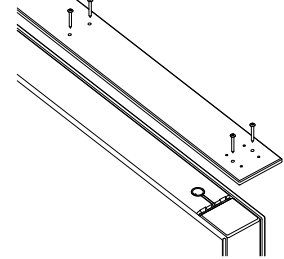
DET 4



DET 5

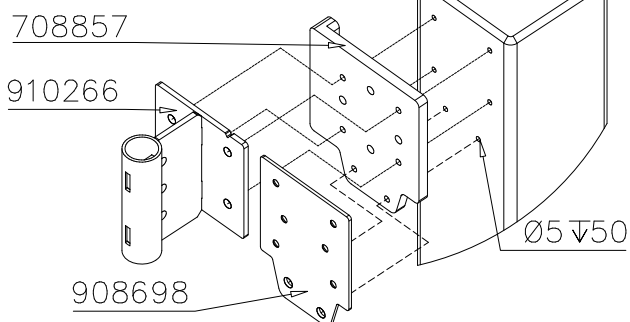


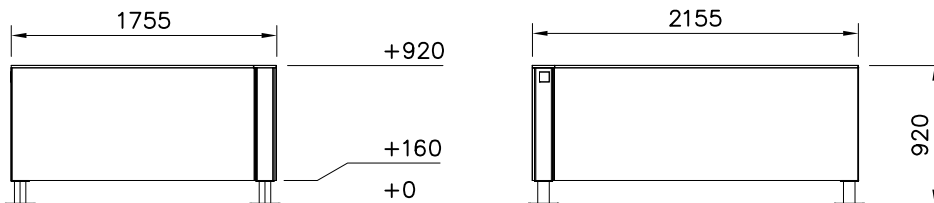
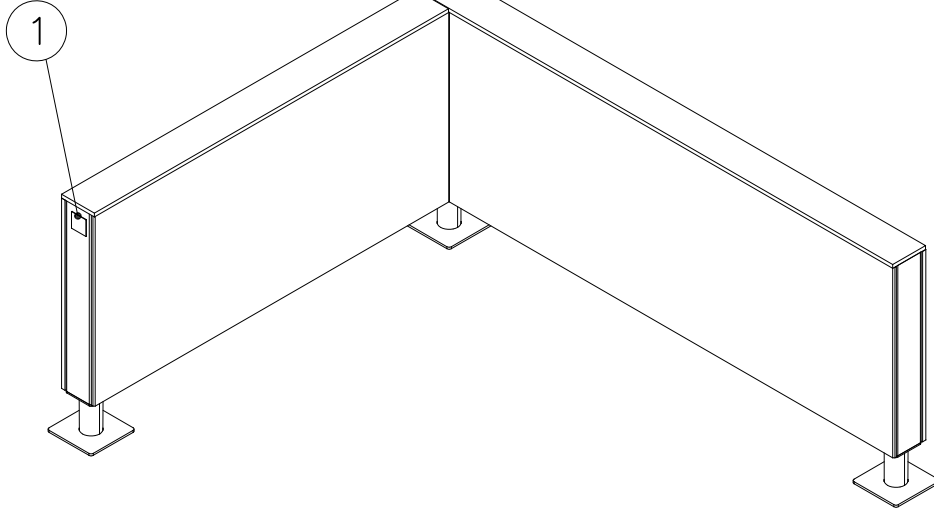
Ø7x60  
980123



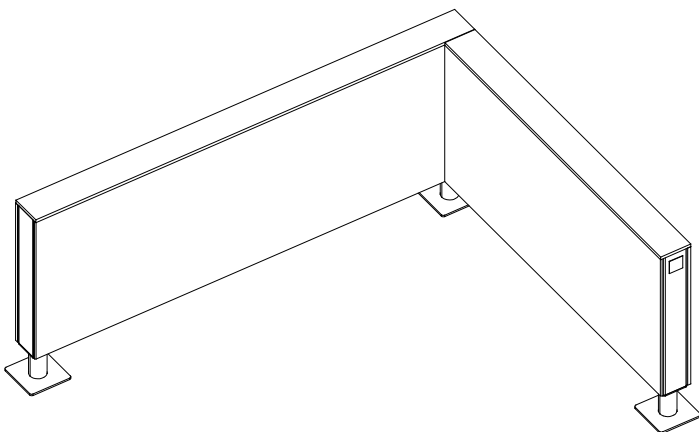
JIG DET A (USE DET 2-4)



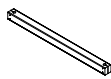


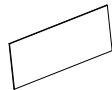

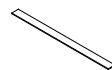
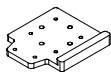
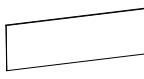





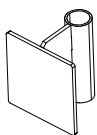


NOTE:  
Use drill jig 708857  
to predrill Ø5 $\nabla$ 50  
holes for 910266  
and 908698



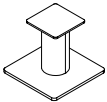
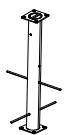


### INSTALLATION OF A SECOND HAND

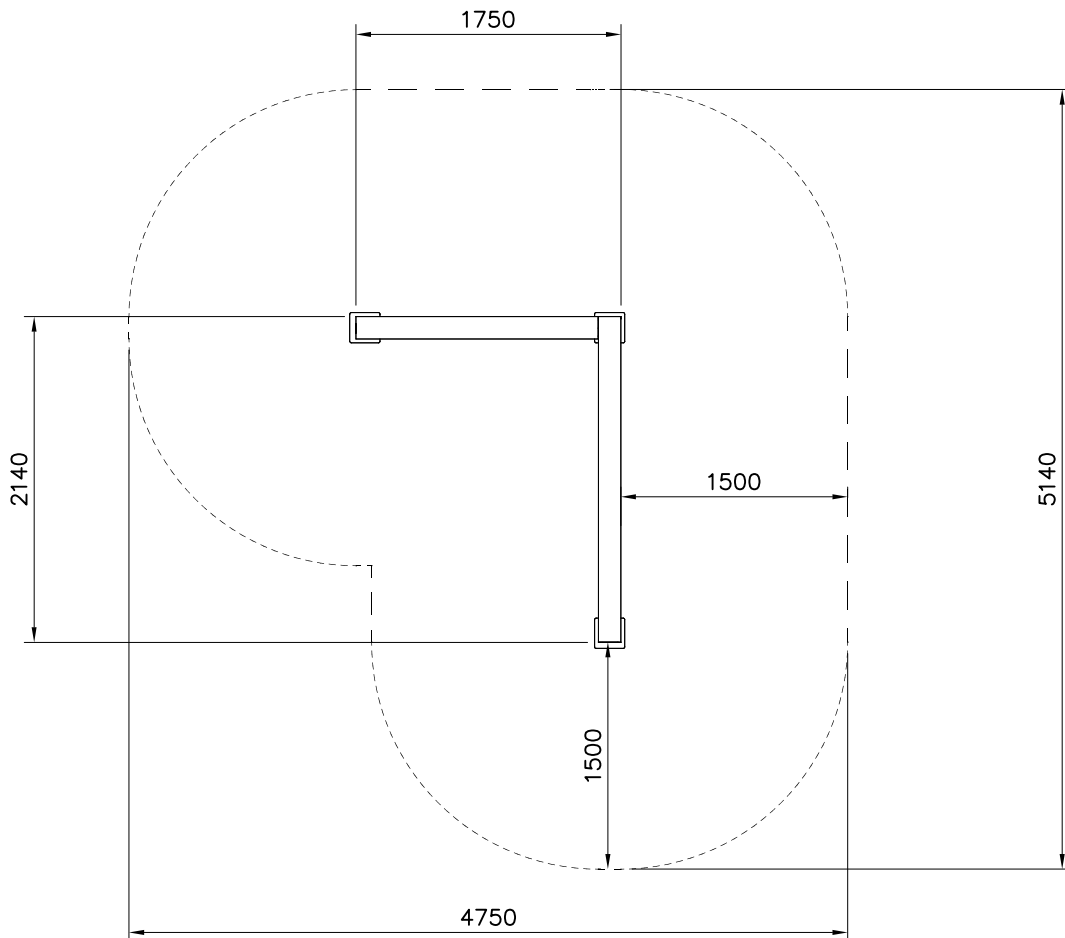
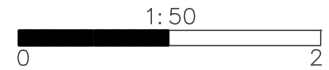


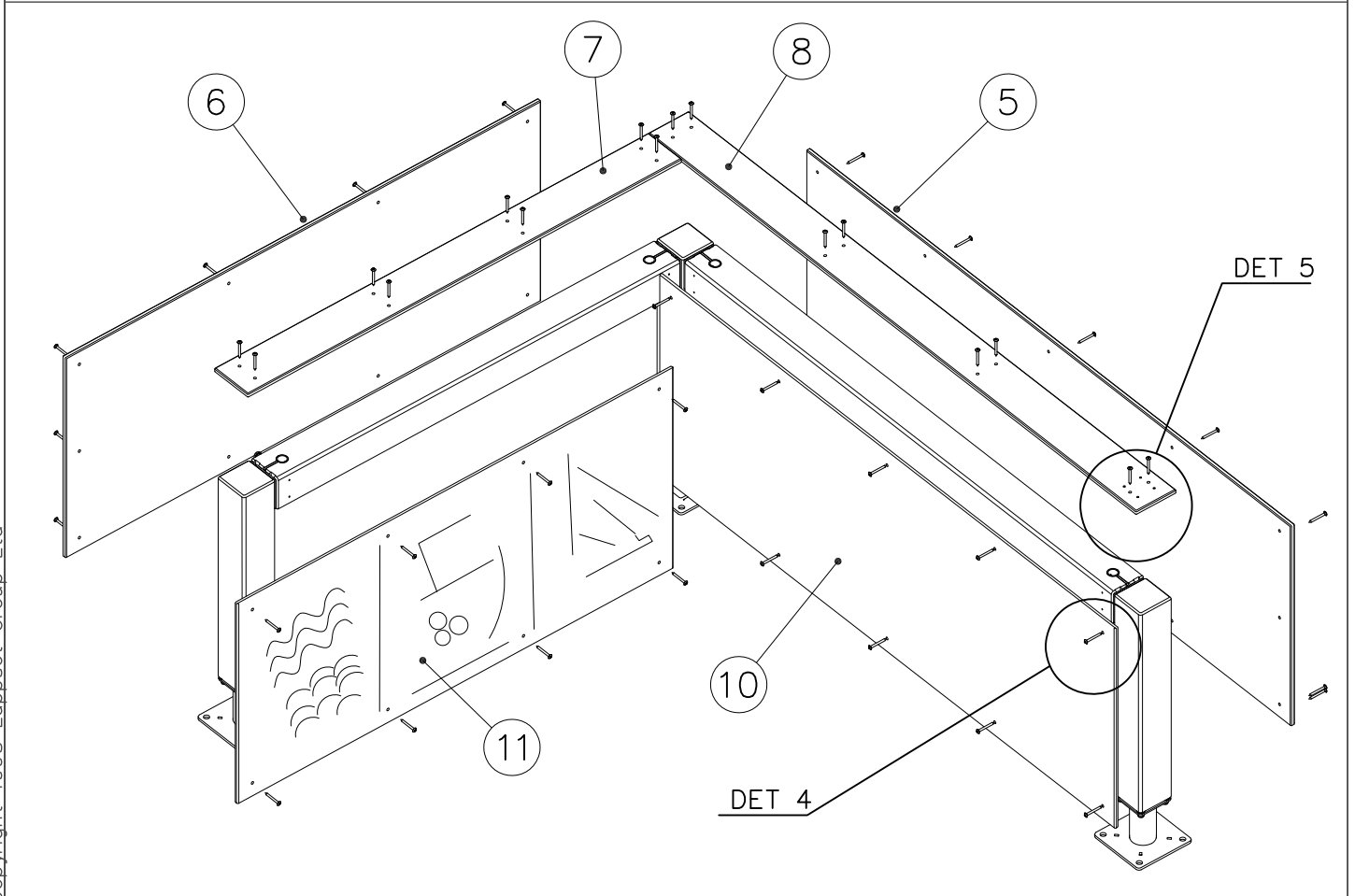
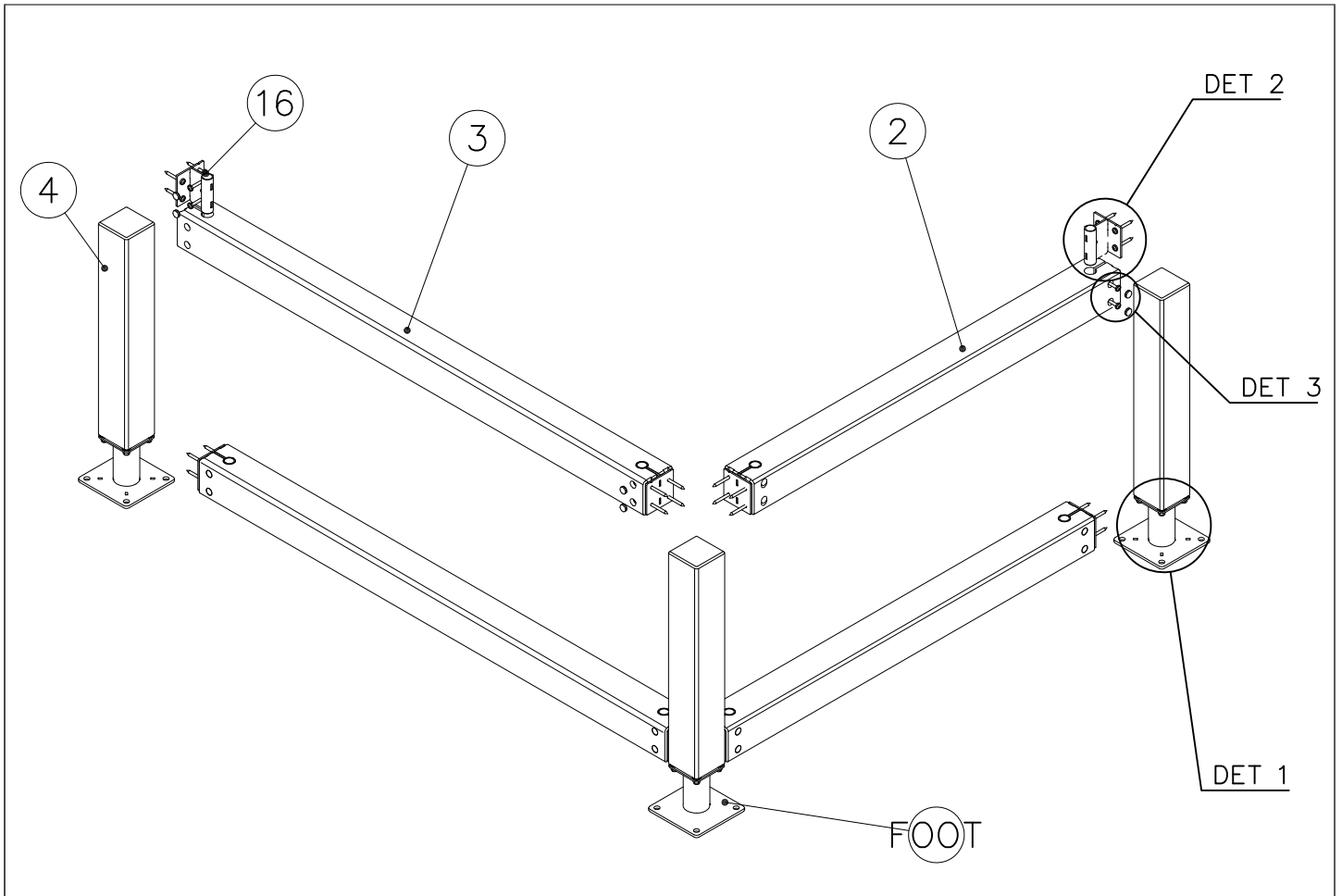
① 702286  65x65	PCS 1	② 707213  118x118x1490	PCS 2
③ 707517  118x118x1892	PCS 2	④ 708137  118x118x745	PCS 3
⑤ 708715  15x745x2140	PCS 1	⑥ 708716  15x745x1753	PCS 1
⑦ 708737  15x148x1601	PCS 1	⑧ 708738  15x148x2153	PCS 1
⑨ 708857 JIG  20x133x149	PCS 1	⑩ 911309 COLOR  12x745x2015	PCS 1
⑪ 911311 MURAL  12x745x1610	PCS 1	⑫ 900240  Ø8x70	PCS 32
⑬ 903093  Ø8x90	PCS 16	⑭ 905103  PT-28/32-H	PCS 8
⑮ 905112  Ø22	PCS 16	⑯ 901266  90x108x118	PCS 8
⑰ 980123  Ø7x60	PCS 56	⑱ 980114  Ø4x20	PCS 4

### FOOT OPTIONS

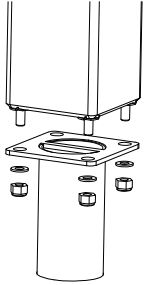
709261+		709262+	
<input type="radio"/> 910330	PCS	<input type="radio"/> 910567	PCS
SURFACE	3	CONCRETE	3
			
152x200x200		117x117x715	

----- Falling Space 18.8 m<sup>2</sup>  
Max Falling Height 920 mm

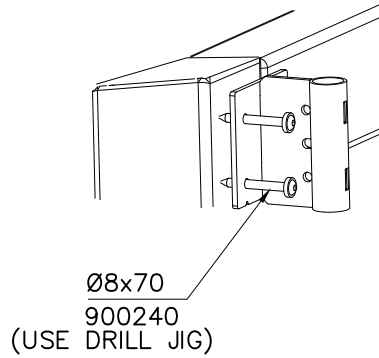




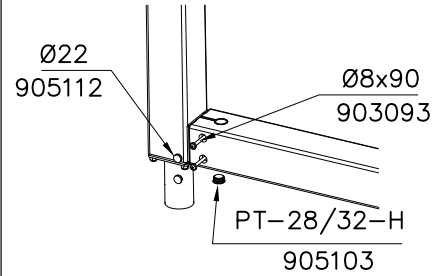
DET 1



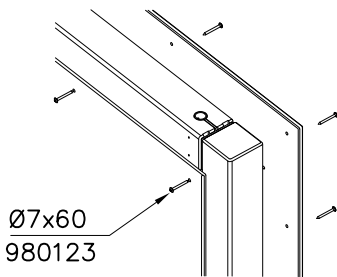
DET 2



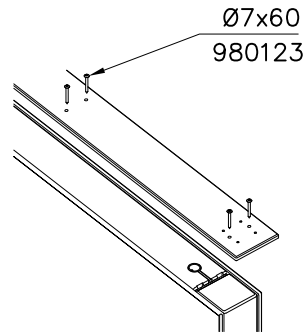
DET 3



DET 4

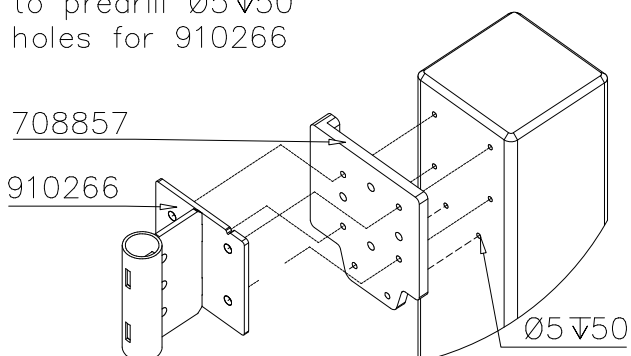


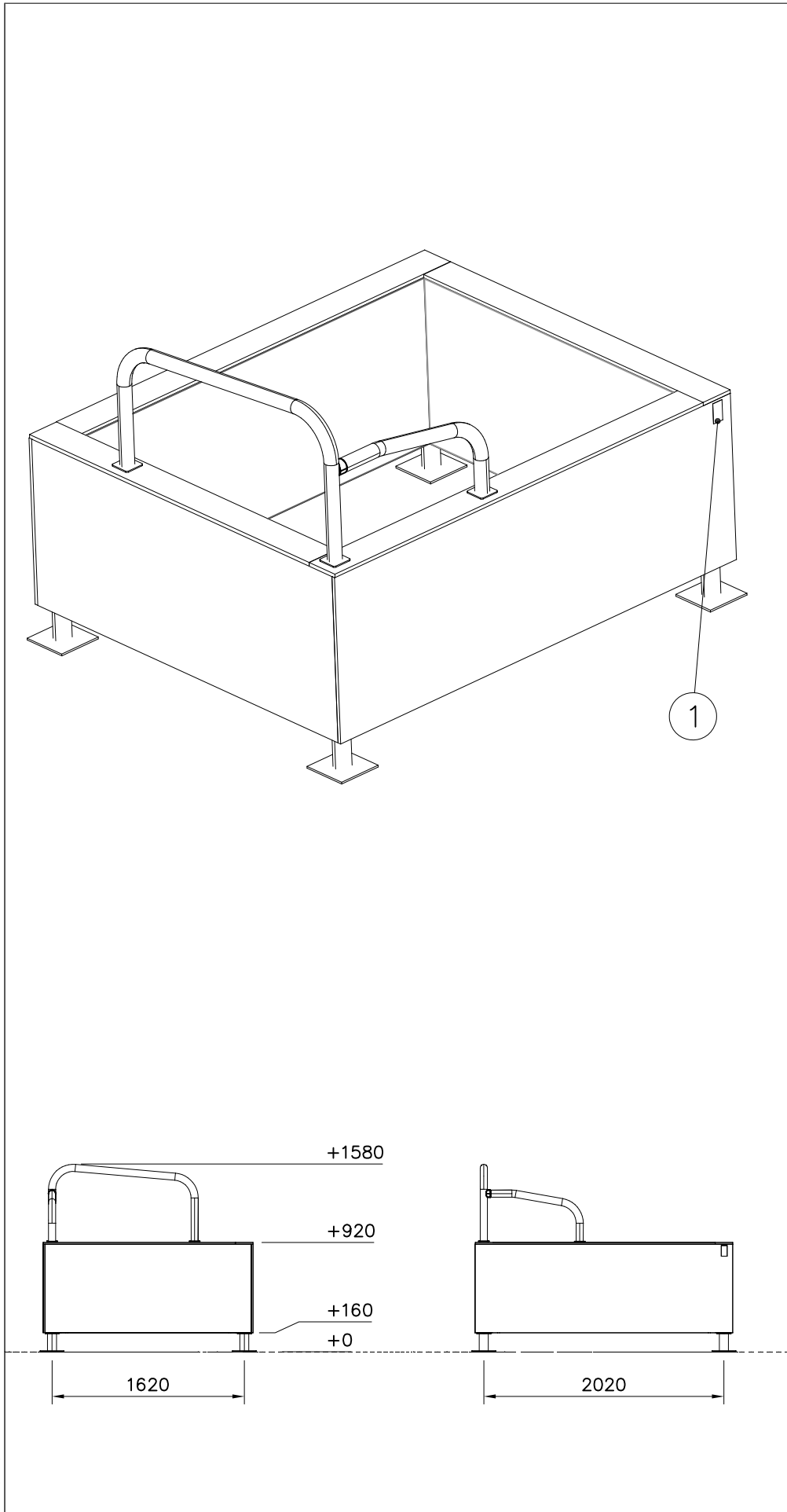
DET 5



JIG DET A (USE DET 2)

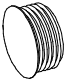

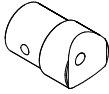
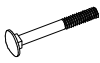


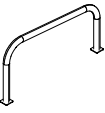
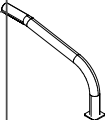
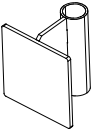


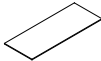
NOTE:  
Use drill jig 708857  
to predrill  $\text{Ø}5 \nabla 50$   
holes for 910266



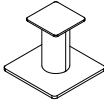
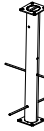


① 702341  90x50	PCS 1	② 707213  118x118x1490	PCS 4
③ 707517  118x118x1892	PCS 4	④ 708137  118x118x745	PCS 4
⑤ 708836  15x745x1736	PCS 2	⑥ 708837  15x745x2168	PCS 2
⑦ 708839  15x745x1897	PCS 1	⑧ 708840  15x148x2018	PCS 2
⑨ 708841  15x148x1616	PCS 2	⑩ 708857 JIG  20x133x149	PCS 1
⑪ 980154  Ø24/13	PCS 1	⑫ 900240  Ø8x70	PCS 64
⑬ 900965  M10	PCS 1	⑭ 903093  Ø8x90	PCS 44
⑮ 903533  SRL12	PCS 4	⑯ 904133  M10x80	PCS 1

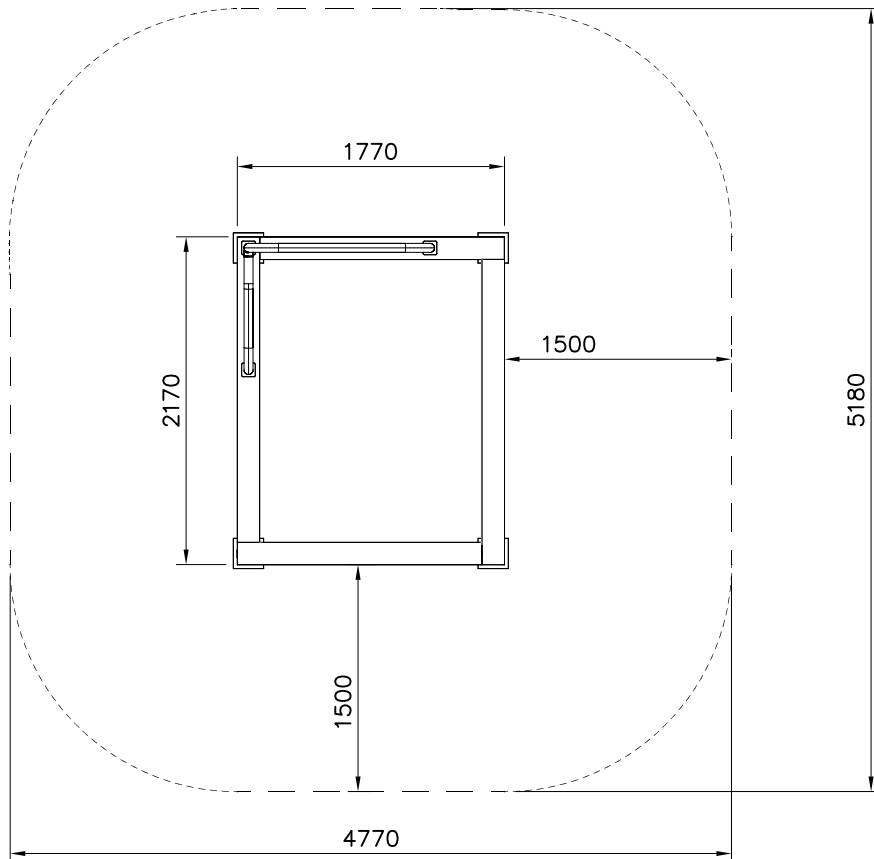
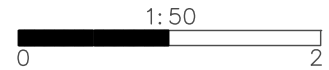


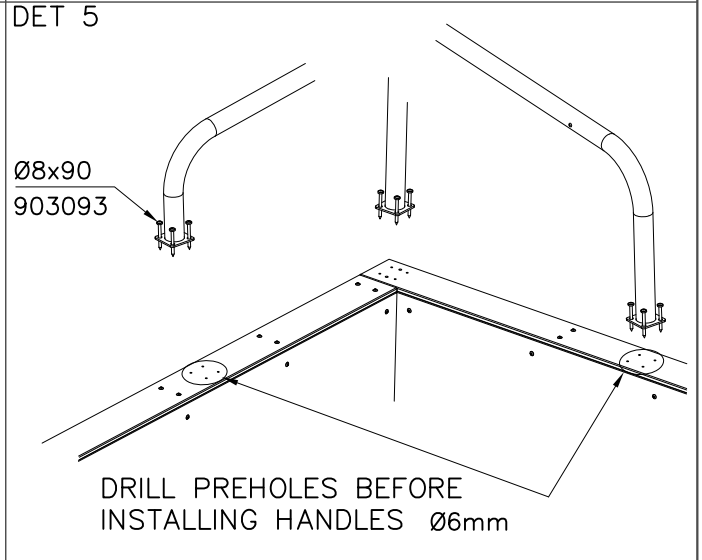
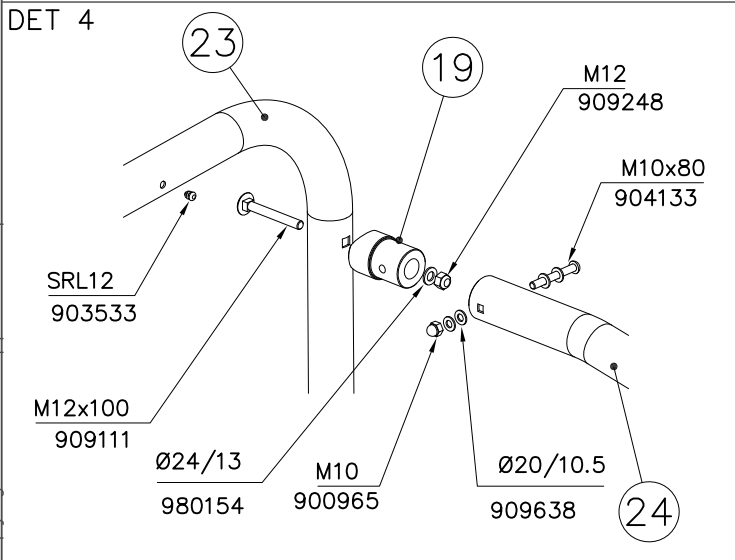
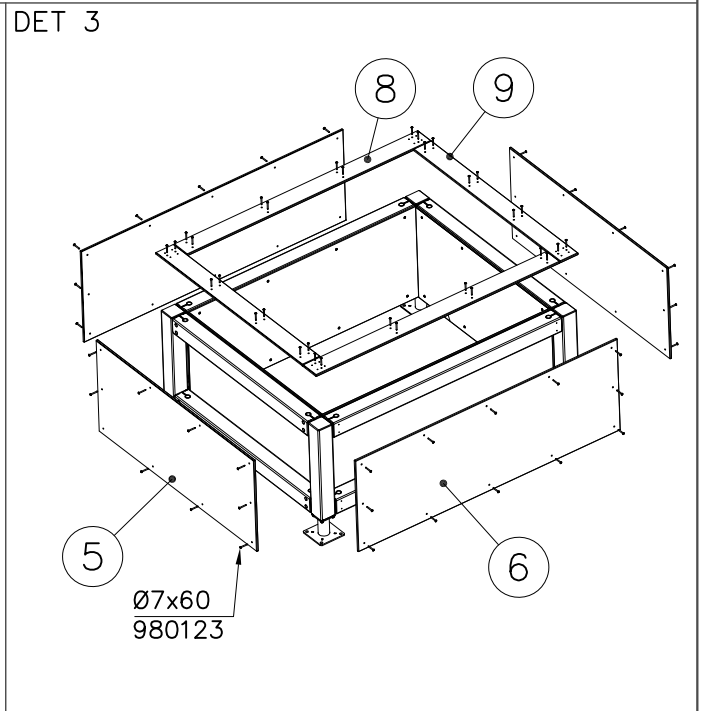
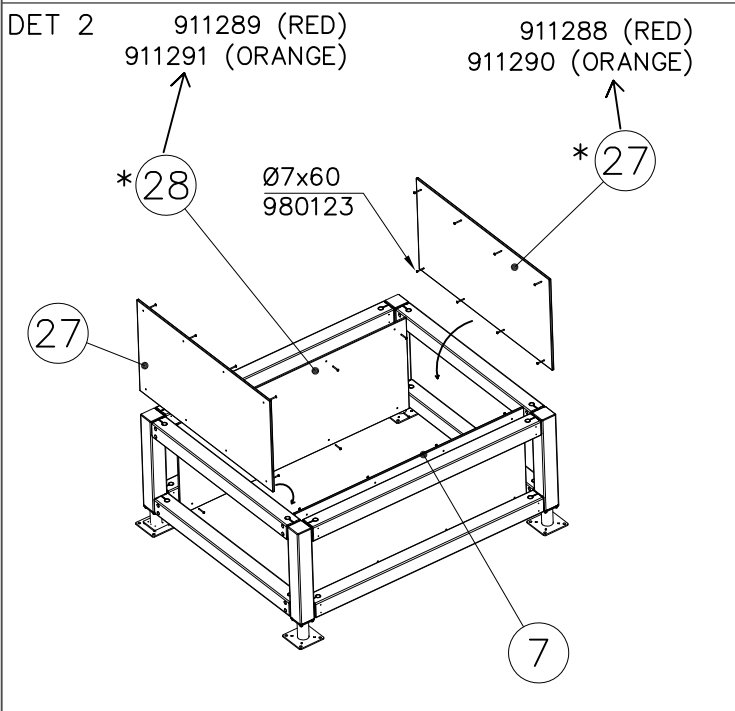
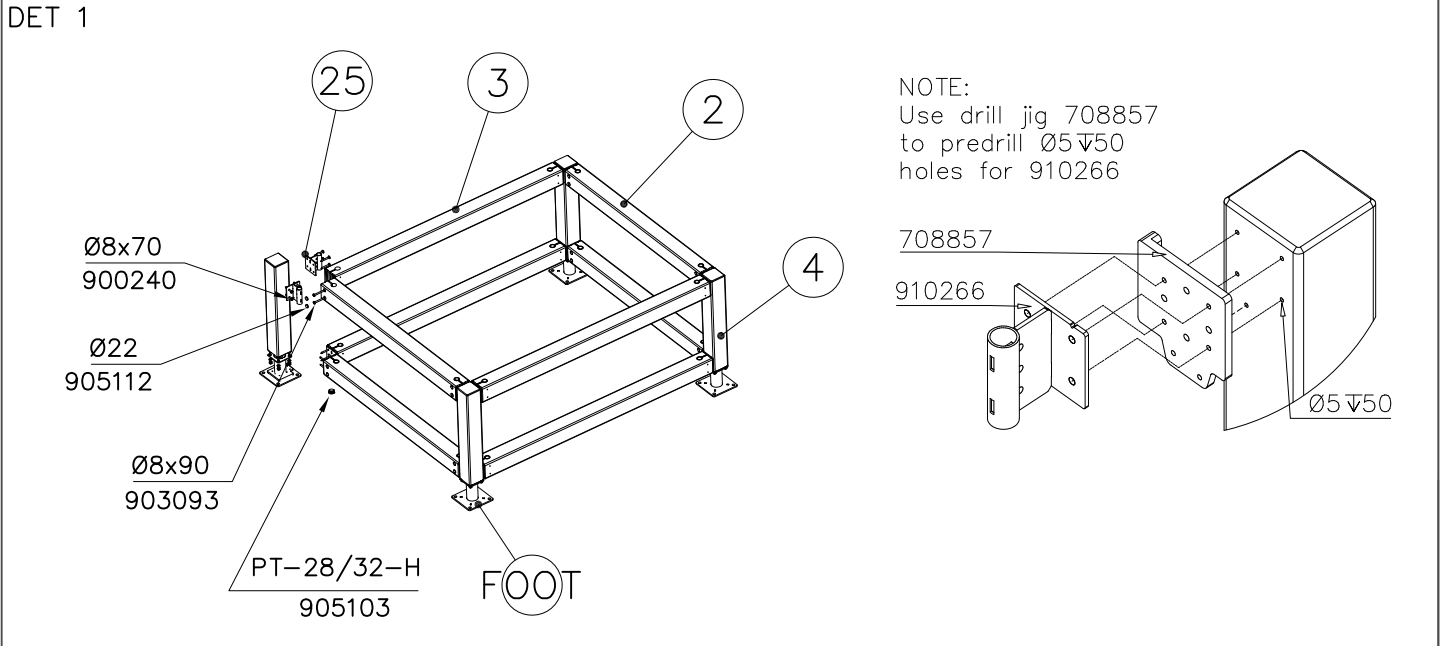
<p>⑰ 905103</p>  <p>PCS 16</p> <p>PT-28/32-H</p>	<p>⑱ 905112</p>  <p>PCS 32</p> <p>Ø22</p>	<p>⑲ 908069</p>  <p>PCS 1</p> <p>Ø60x87.6</p>	<p>⑳ 909111</p>  <p>PCS 1</p> <p>M12x100</p>	<p>㉑ 909248</p>  <p>PCS 1</p> <p>M12</p>	<p>㉒ 909638</p>  <p>PCS 4</p> <p>Ø20/10.5</p>
<p>㉓ 910254</p>  <p>PCS 1</p> <p>Ø60x650x1290</p>	<p>㉔ 910262</p>  <p>PCS 1</p> <p>Ø60x435x795</p>	<p>㉕ 910266</p>  <p>PCS 16</p> <p>90x108x118</p>	<p>㉖ 980123</p>  <p>PCS 108</p> <p>Ø7x60</p>	<p>㉗ 911288 COLOR</p>  <p>PCS 2</p> <p>15x745x1465</p>	<p>㉘ 911289 COLOR</p>  <p>PCS 1</p> <p>15x745x1897</p>

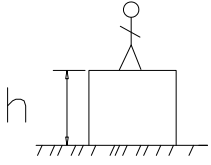
FOOT OPTIONS

<p>709261+</p> <p>○ 910330 SURFACE</p>  <p>PCS 4</p> <p>152x200x200</p>	<p>709262+</p> <p>○ 910567 CONCRETE</p>  <p>PCS 4</p> <p>117x117x715</p>
---	--

----- Falling Space 22.7 m<sup>2</sup>  
Max Falling Height 1580 mm







$h < 1600$

Totally hard surfaces or materials with very limited impact attenuating properties.

Case by case risk assessment is needed including e.g. evaluation whether there is forced movement, what is the intended exercise and where will the product be installed.

Materials with significant impact attenuating properties.

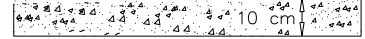
Totally hard surfaces.  
E.g. concrete or asphalt



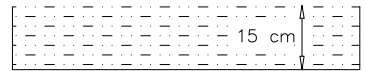
Materials with very limited impact attenuating properties.  
E.g. wood



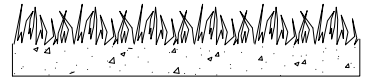
fine gravel 0–8 mm



Unsorted sand/ topsoil



Lawn

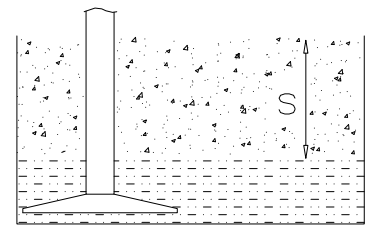


$h = 1600-$

$h < 3000$

Loose fill material

E.g.  
sand/gravel 0,25...8 mm  $D_{60}/D_{10} < 3,0$   
Woodchips 5...30 mm  
bark 20...80 mm



$\frac{S}{30 \text{ cm}}$        $\frac{h}{< 3,0 \text{ m}}$

Synthetic granulates

$\frac{S}{\text{mm}}$	$\frac{h}{\text{m}}$
40 mm	$\sim > 1,6... \sim < 1,8$ m
50 mm	$\sim > 1,8... \sim < 2,25$ m
55 mm	$\sim > 2,25... \sim < 2,4$ m
60 mm	$\sim > 2,4... \sim < 2,55$ m
70 mm	$\sim > 2,55... \sim < 3,0$ m

Note. For accurate values, see manufacturer's instructions.

