

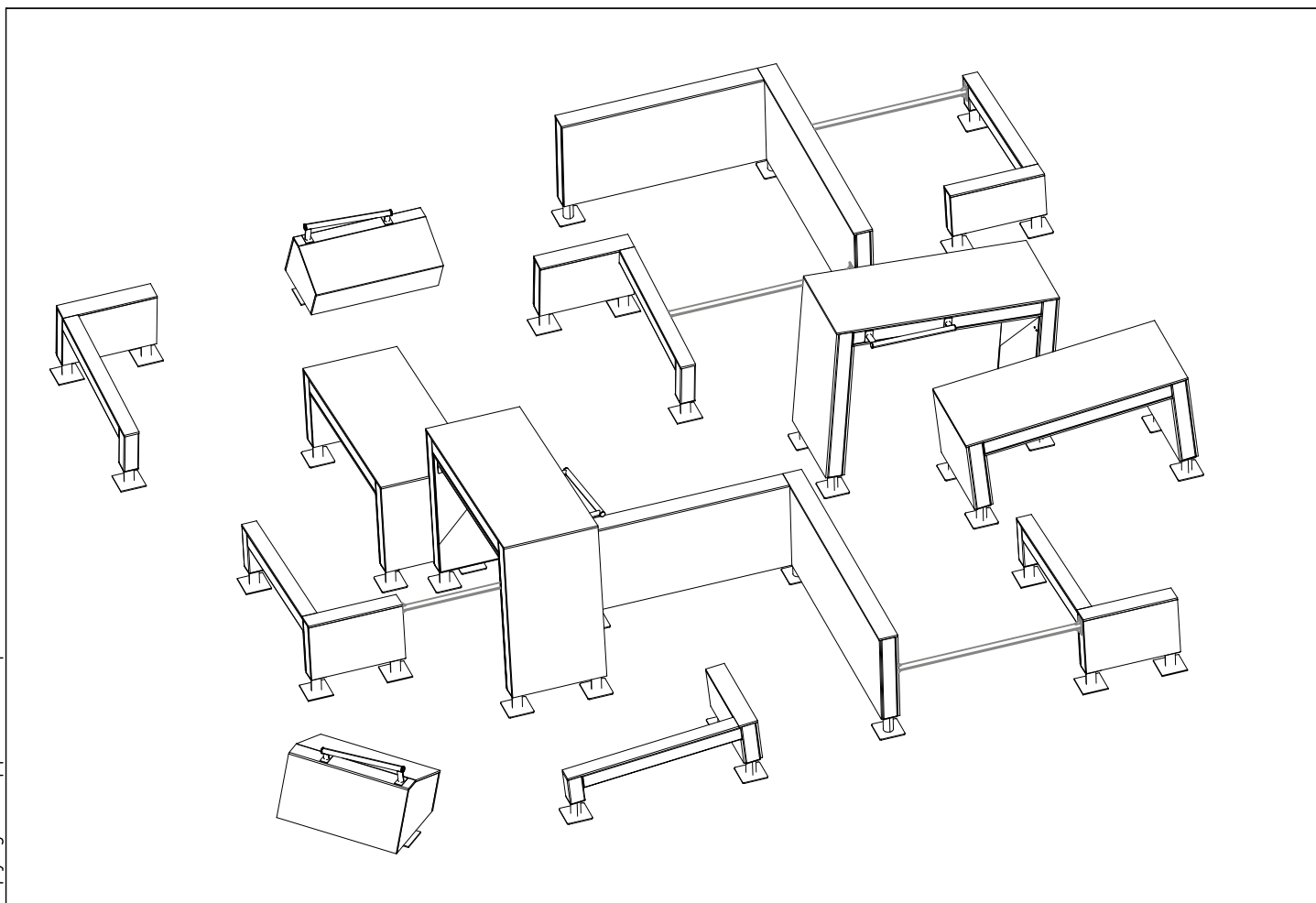
LAPPSET®

DASH PARKOUR

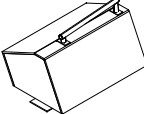
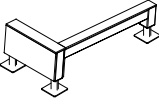
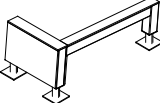
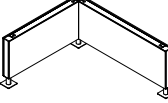
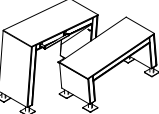
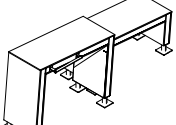






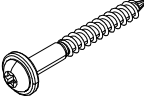

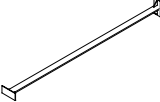
ASENNUSOHJE
MONTERINGSANSVISNING
INSTALLATION INSTRUCTION
AUFBAUANLEITUNG
NOTICE D'INSTALLATION

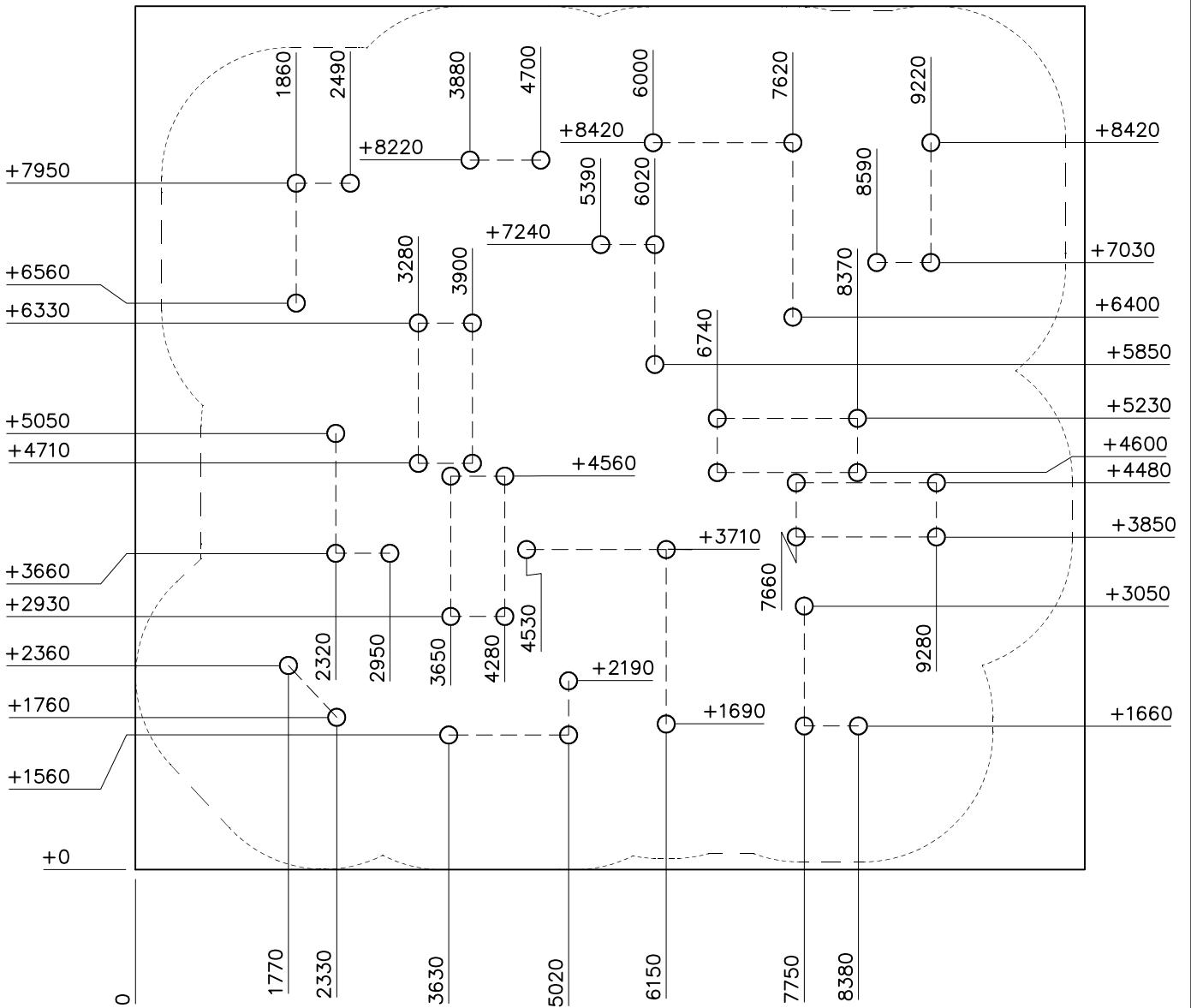
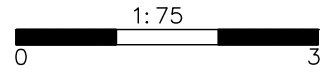
DATE: 13.1.2020

081780M

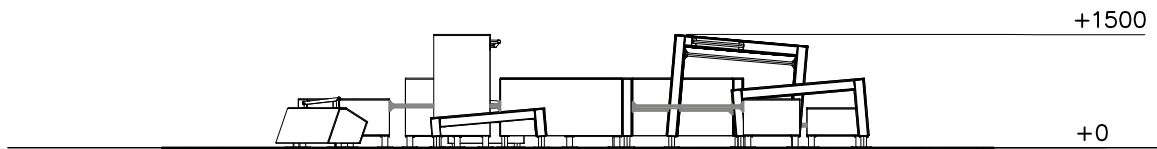
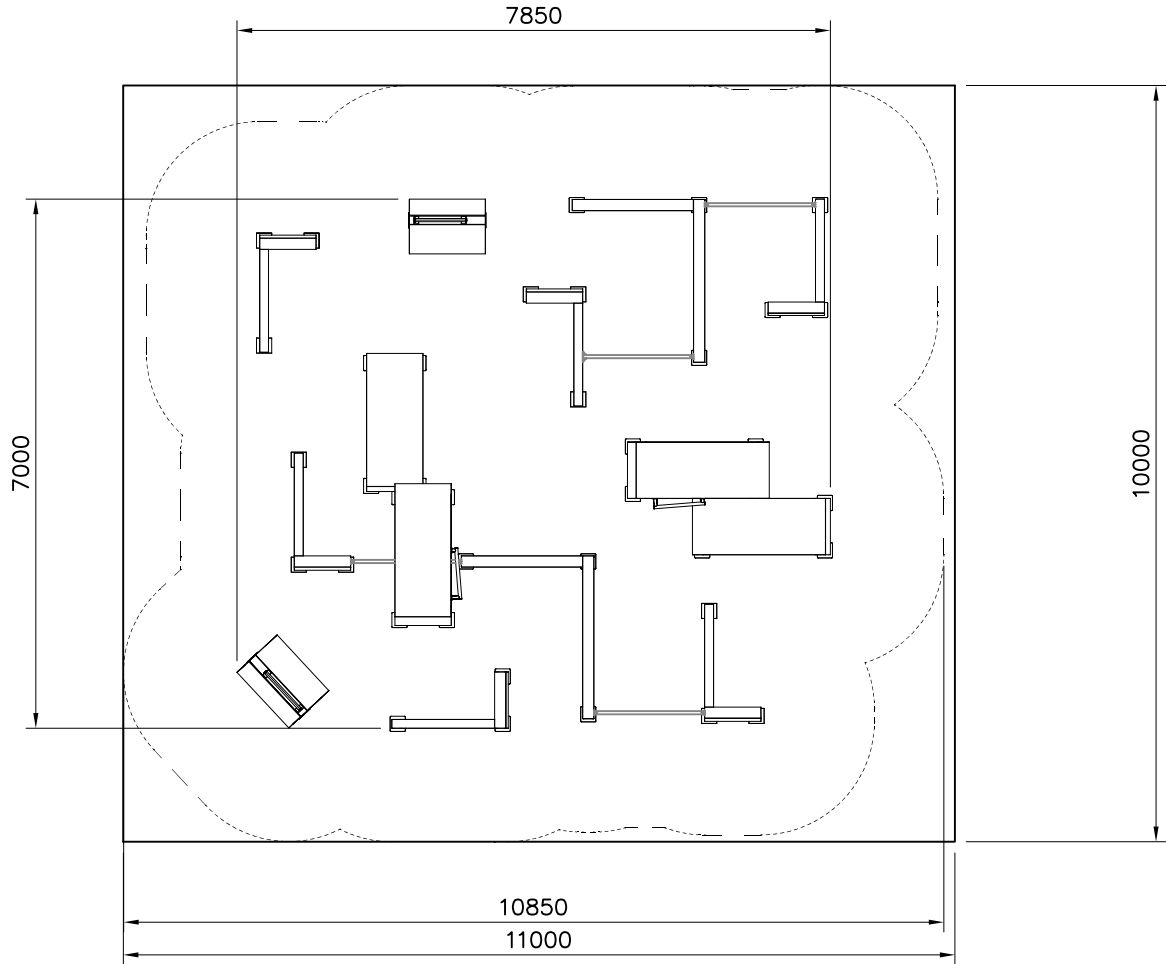
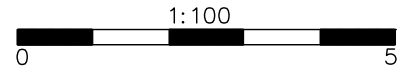


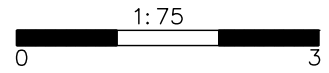
DATE: 13.1.2020

081702M	PCS 2	081720M	PCS 2	081721M	PCS 4	081722M	PCS 2	081735M	PCS 1	081736M	PCS 1
											
											
900240	PCS 32	910328	PCS 3	910513	PCS 1		PCS		PCS		PCS
											
Ø8x70		L 1466		L 1466							
	PCS		PCS		PCS		PCS		PCS		PCS
	PCS		PCS		PCS		PCS		PCS		PCS
	PCS		PCS		PCS		PCS		PCS		PCS
	PCS		PCS		PCS		PCS		PCS		PCS

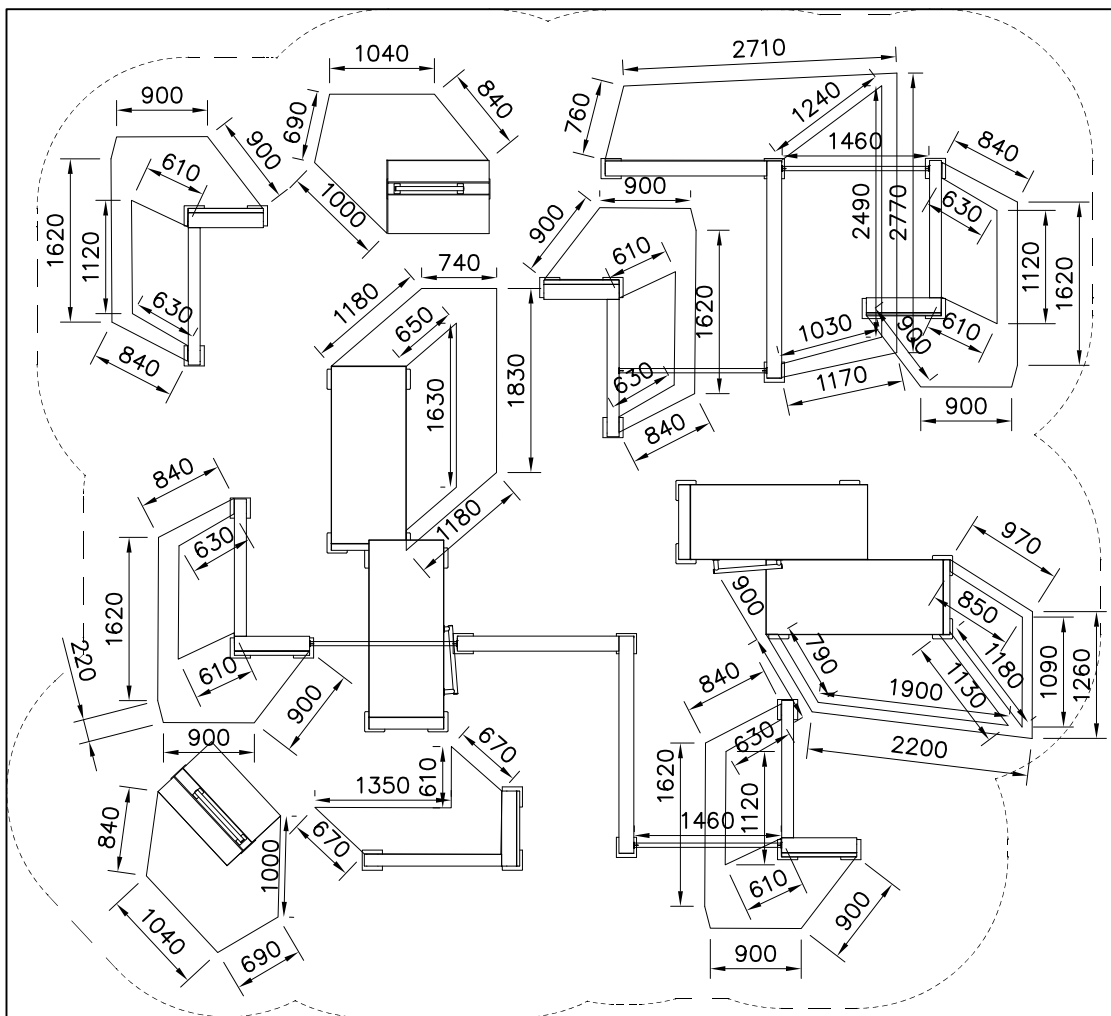


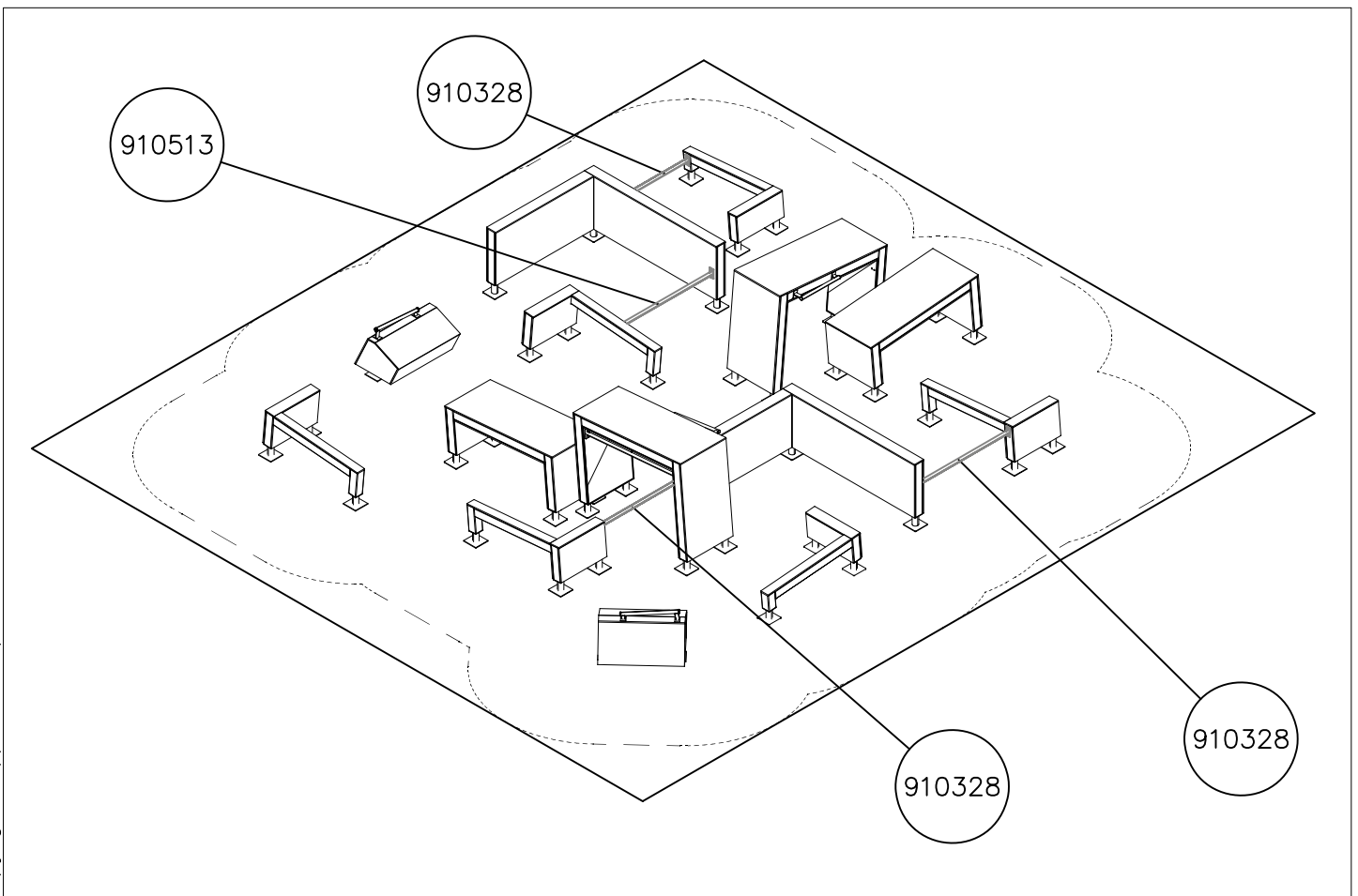
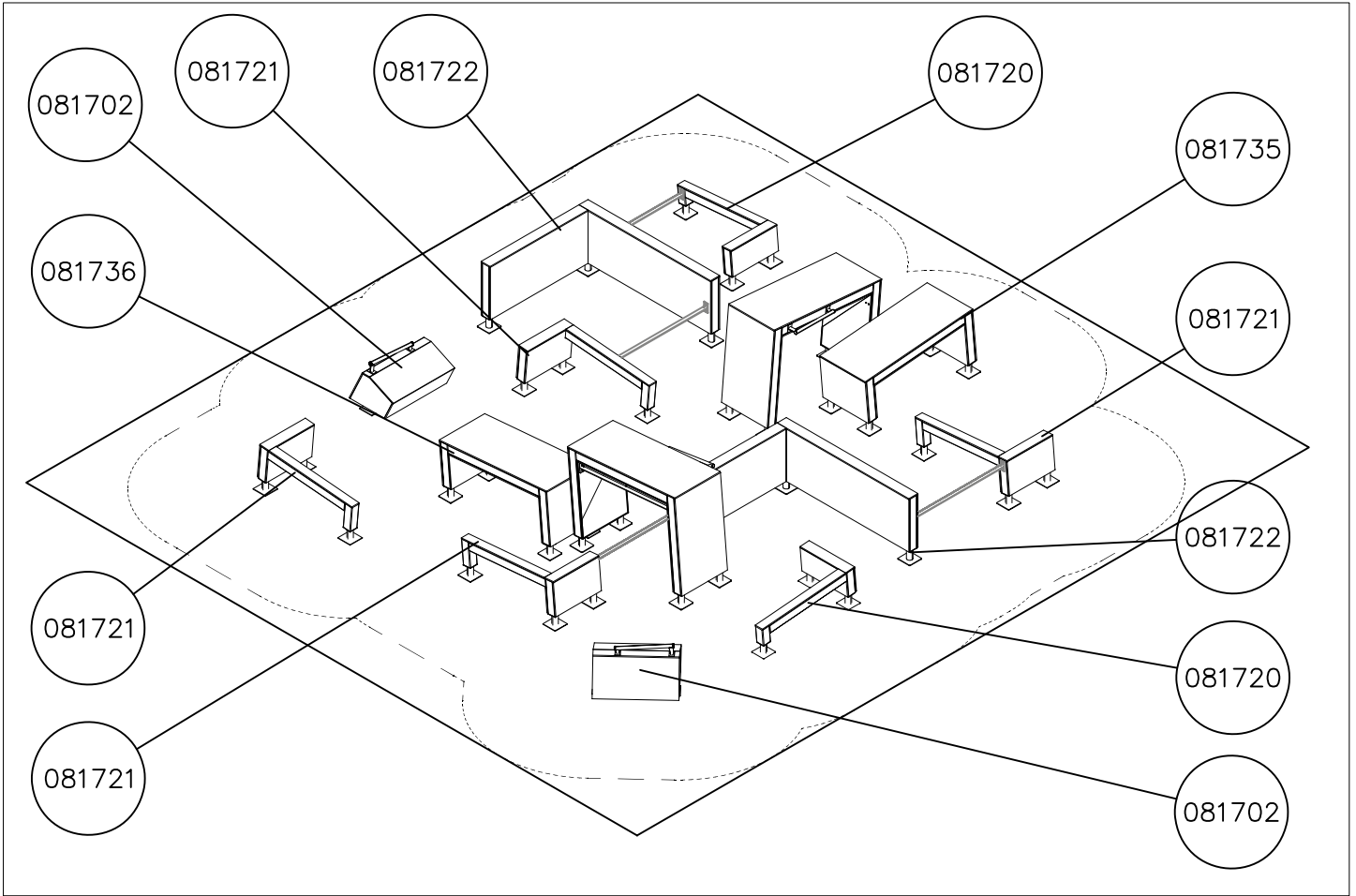
— Falling Space 97.1 m2
Max Falling Height 1500 mm

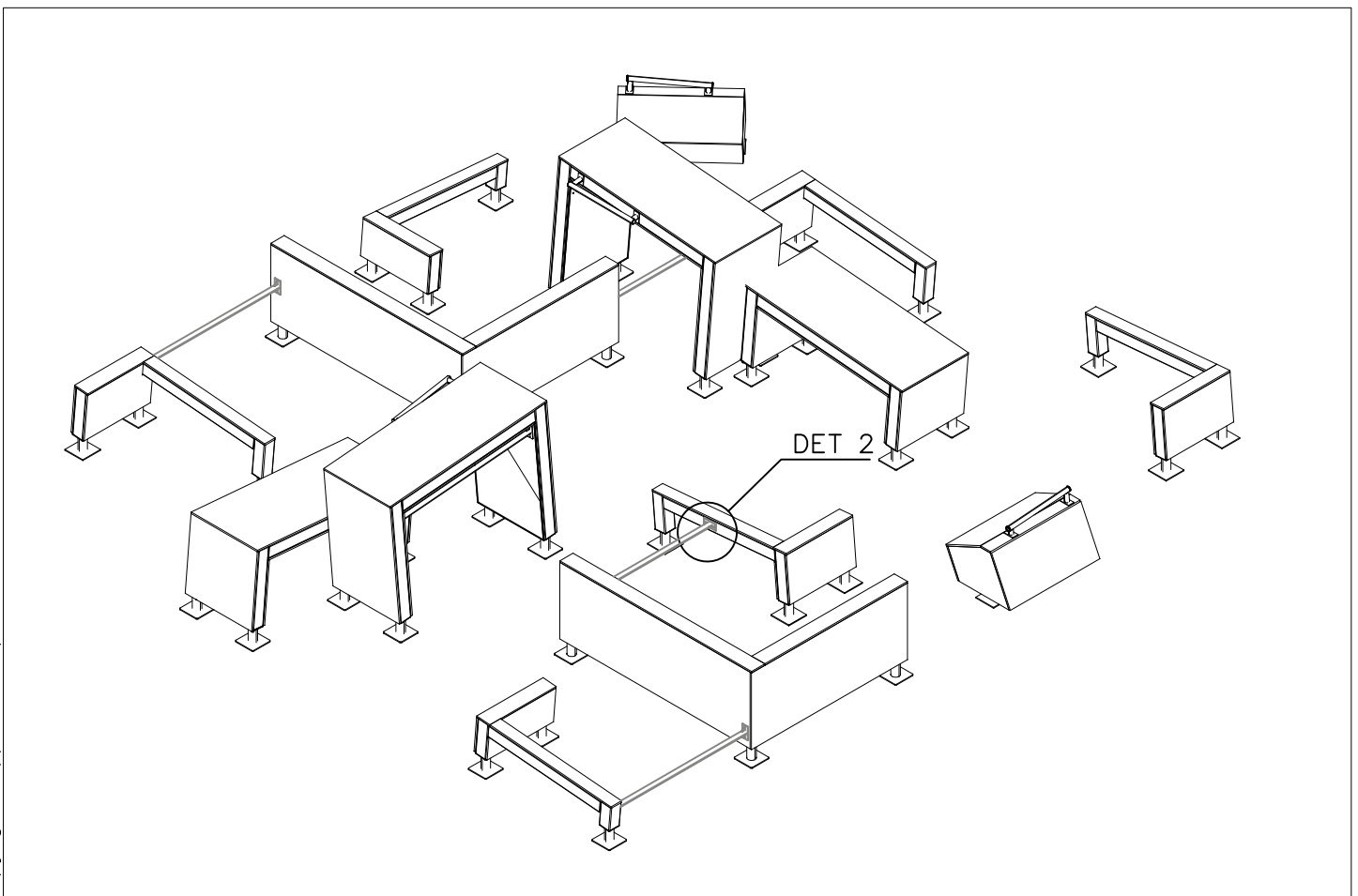
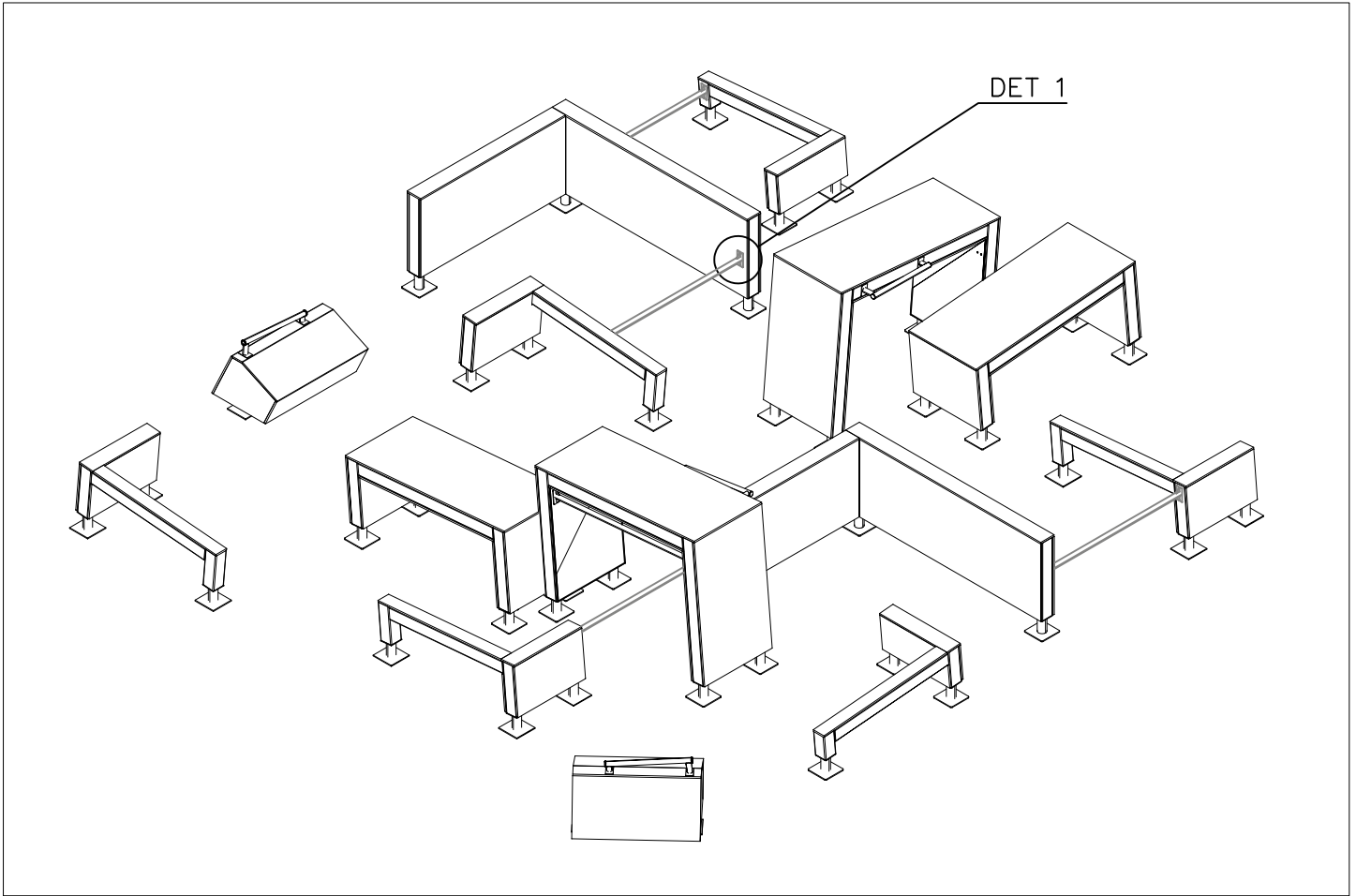


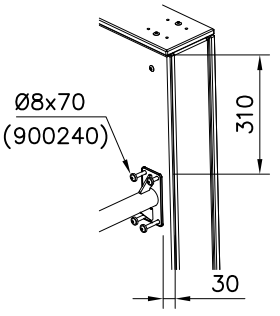
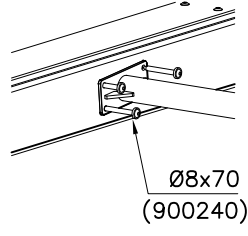


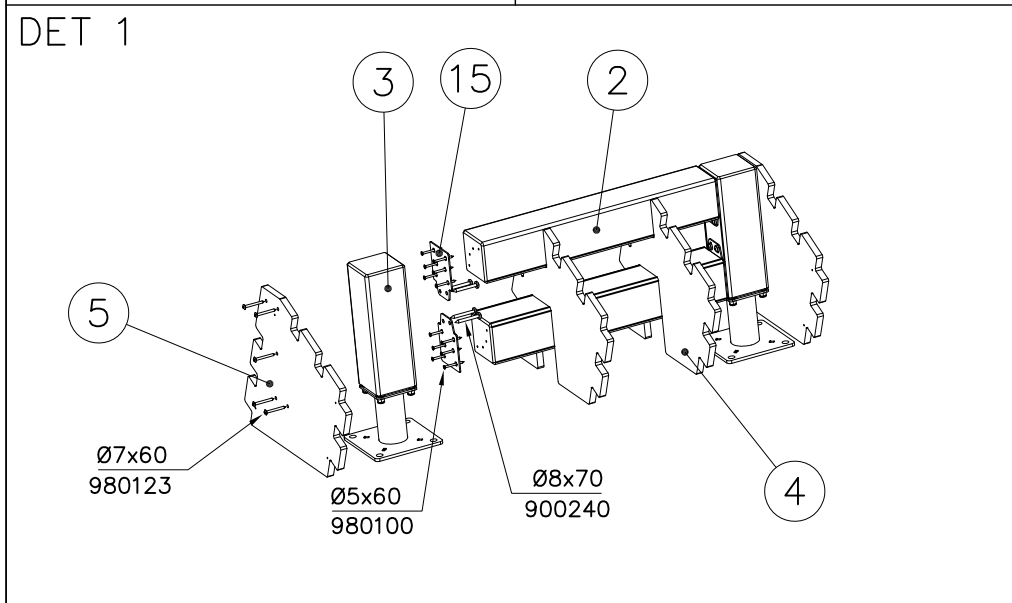
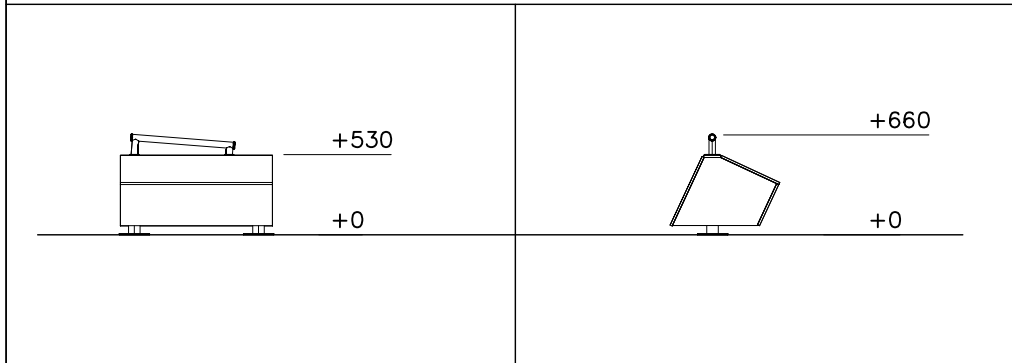
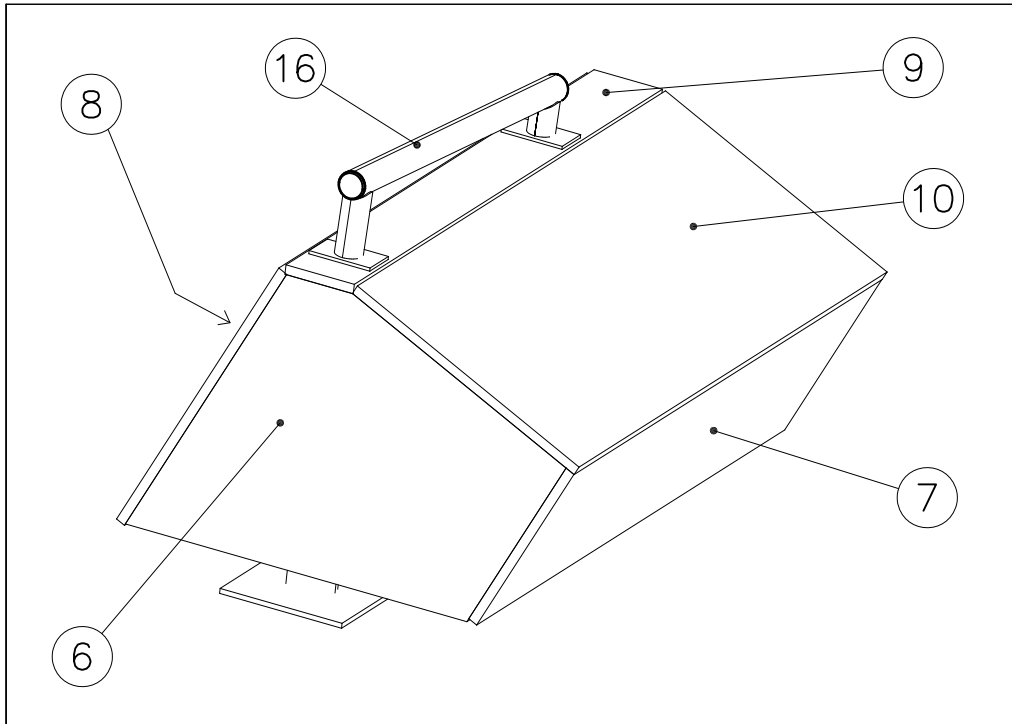
Groudmarks





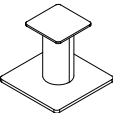



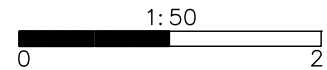
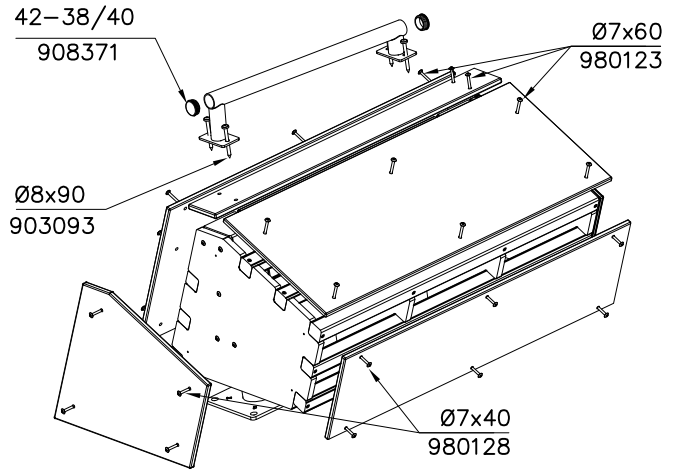
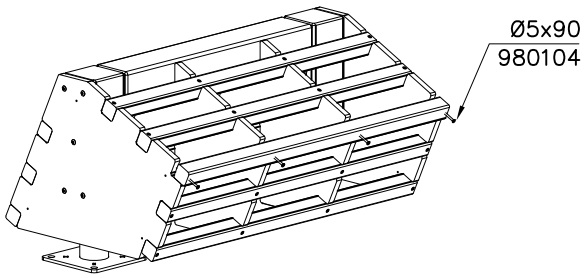
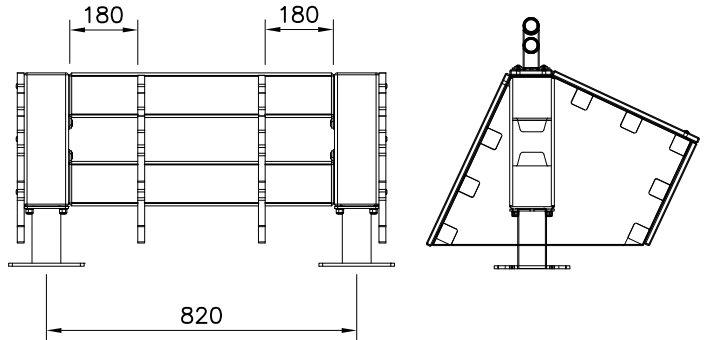
<p>DET 1</p>  <p>Ø8x70 (900240)</p> <p>310</p> <p>30</p>	<p>DET 2</p>  <p>Ø8x70 (900240)</p>		



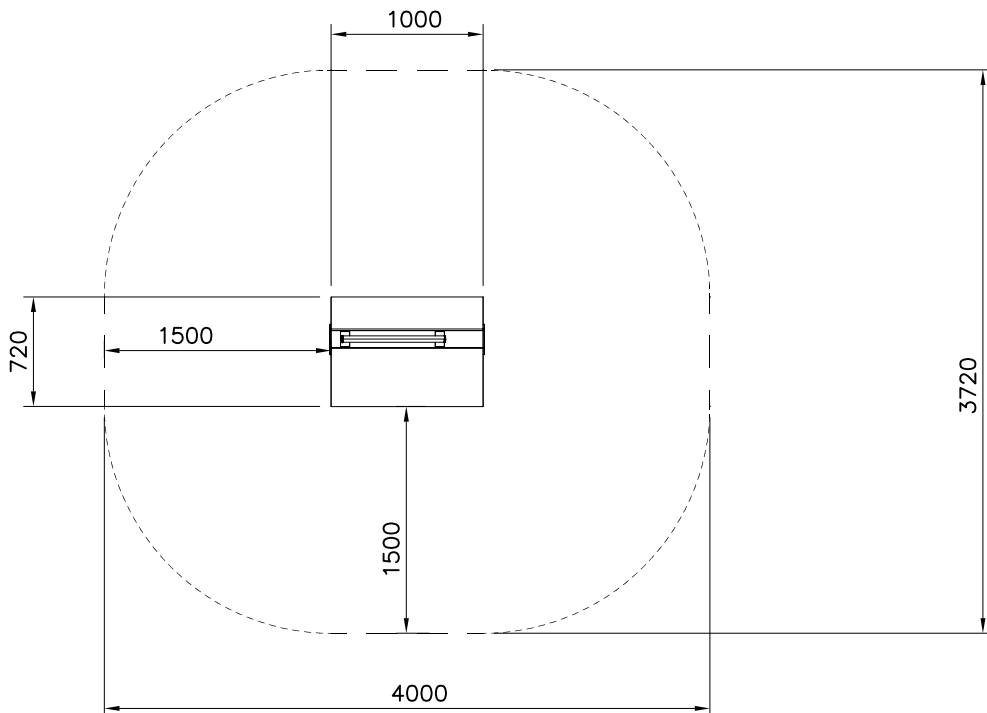
① 702341 90x50	PCS 1	② 708109 118x118x697	PCS 2
③ 708443 118x118x352	PCS 2	④ 708848 18x450x690	PCS 2
⑤ 708849 18x450x690	PCS 2	⑥ 708850 15x450x690	PCS 2
⑦ 708851 15x300x1005	PCS 1	⑧ 708852 15x500x1005	PCS 1
⑨ 708853 15x112x1005	PCS 1	⑩ 708854 15x425x1005	PCS 1
⑪ 708855 45x45x975	PCS 8	⑫ 900240 Ø8x70	PCS 8
⑬ 903093 Ø8x90	PCS 4	⑭ 908371 42-38/40	PCS 2

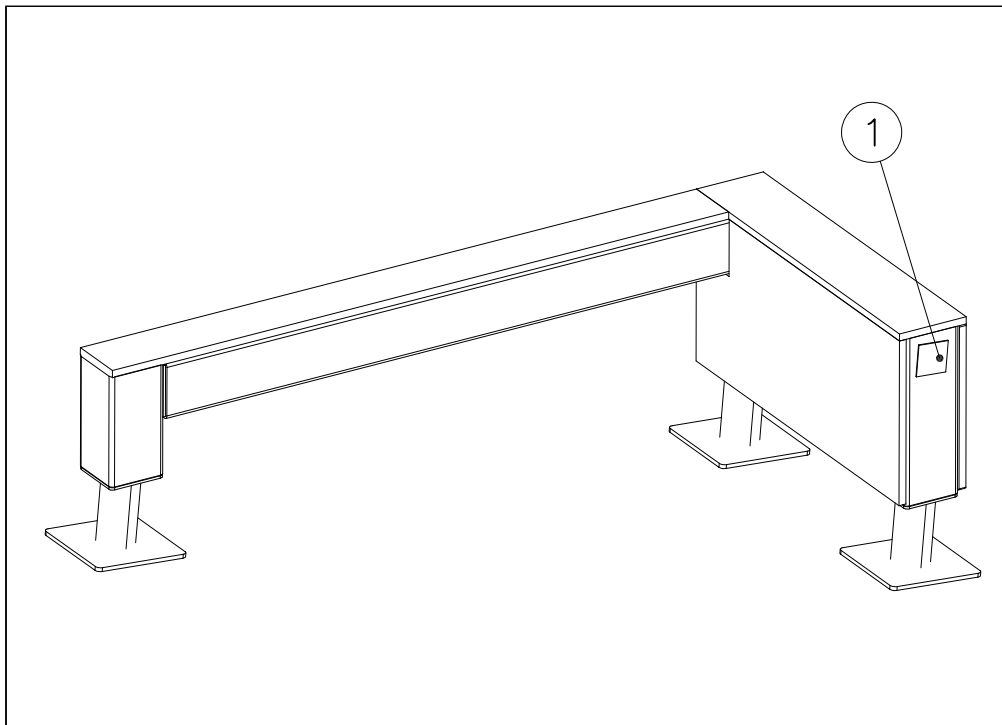
⑮ 908698 3x114x108	PCS 4	⑯ 910056 140x690	PCS 1	⑰ 980100 Ø5x60	PCS 24	⑱ 980104 Ø5x90	PCS 32	⑲ 980123 Ø7x60	PCS 27	⑳ 980128 Ø7x40	PCS 14
---------------------------	----------	-------------------------	----------	-----------------------	-----------	-----------------------	-----------	-----------------------	-----------	-----------------------	-----------


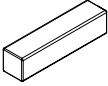
709261+		709262+	
○ 910330	PCS	○ 910567	PCS
SURFACE	2	CONCRETE	2
			
152x200x200		117x117x715	






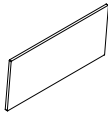
----- Falling Space 13 m²
Max Falling Height 660 mm

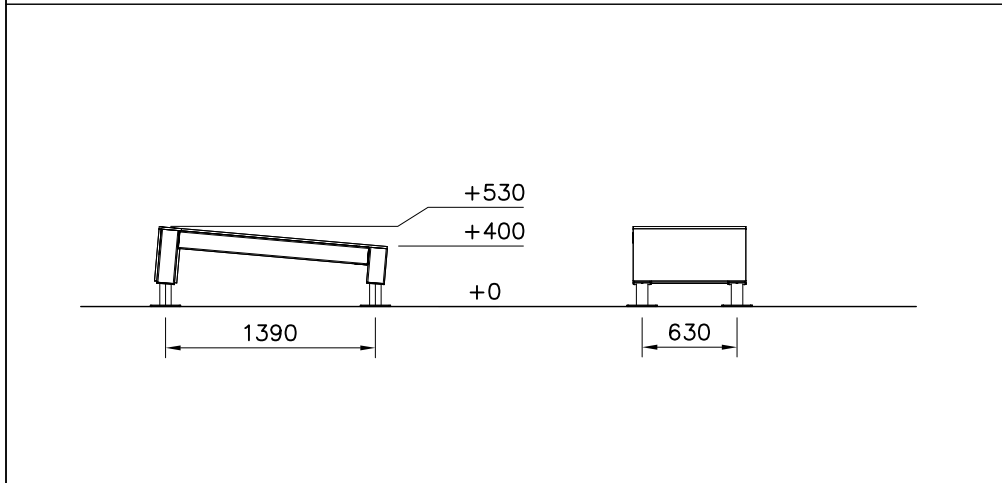


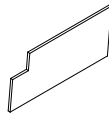




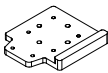
① 702286	PCS	② 707210	PCS
	1		2
65x65		118x118x503	

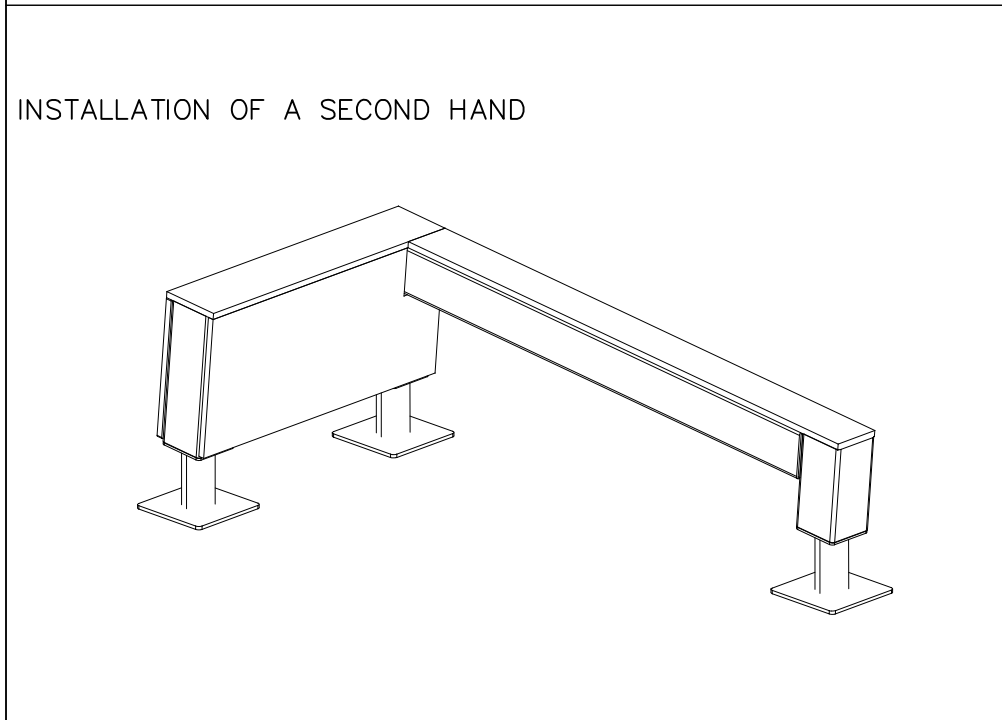
③ 707212	PCS	④ 708347	PCS
	1		1
118x118x1254		118x118x231	

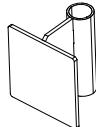

⑤ 708443	PCS	⑥ 708727	PCS
	2		1
118x118x352		15x346x745	






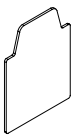
⑦ 708730	PCS	⑧ 708733	PCS
	1		1
15x346x745		15x148x745	




⑨ 708734	PCS	⑩ 708857 JIG	PCS
	1		1
15x118x1365		20x133x149	



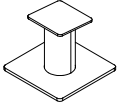

⑪ 910266	PCS	⑫ 900240	PCS
	2		16
90x108x118		Ø8x70	

⑬ 903093	PCS	⑭ 905103	PCS
	4		2
Ø8x90		PT-28/32-H	

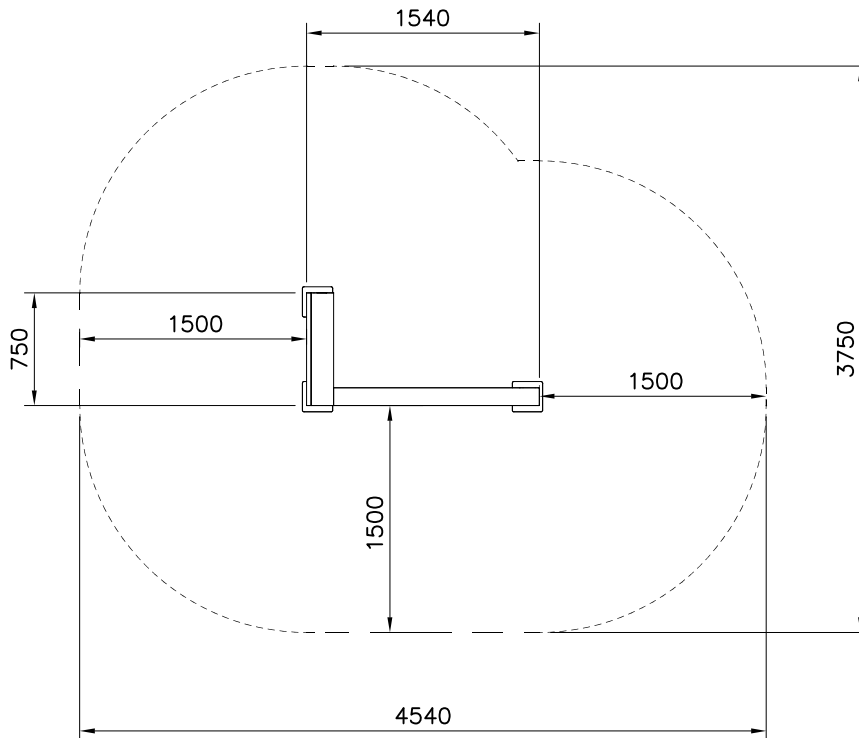
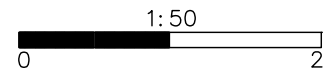
⑮ 905112	PCS	⑯ 908698	PCS
	4		4
Ø22		3x114x108	

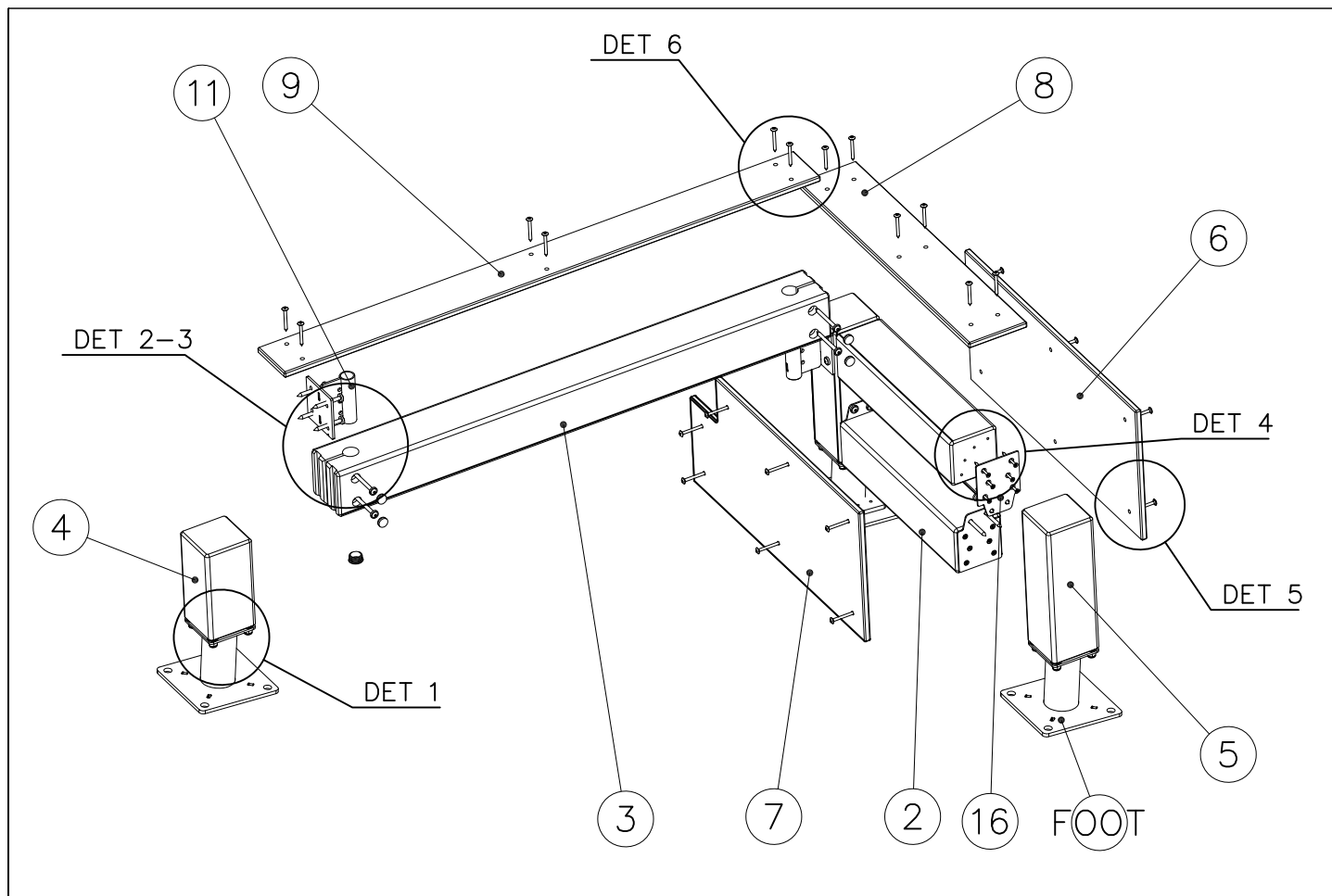
17	980100	PCS	18	980114	PCS	19	980123	PCS
		28			4			25
								
	Ø5x60			Ø4x20			Ø7x60	

FOOT OPTIONS

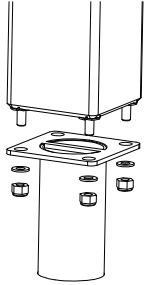
709261+		709262+	
○ 910267	PCS	○ 910567	PCS
SURFACE	3	CONCRETE	3
			
152x200x200		117x117x715	

----- Falling Space 13.8 m²
Max Falling Height 530 mm

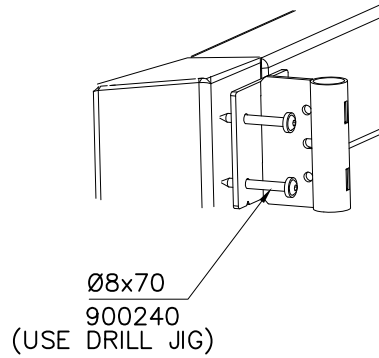




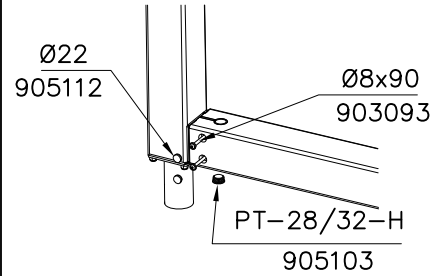
DET 1



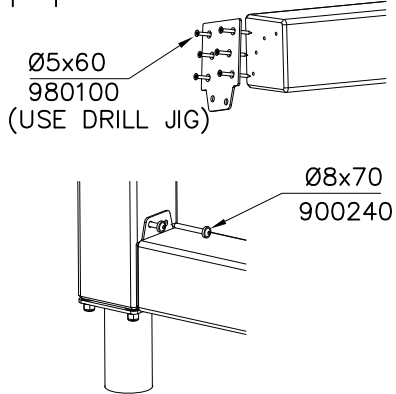
DET 2



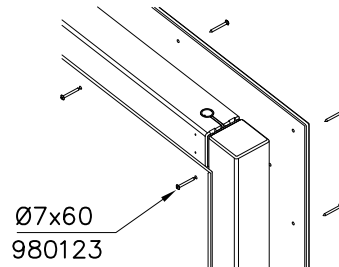
DET 3



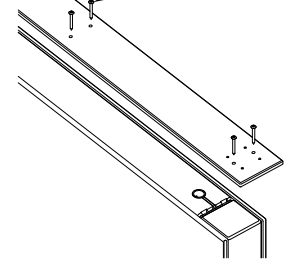
DET 4



DET 5

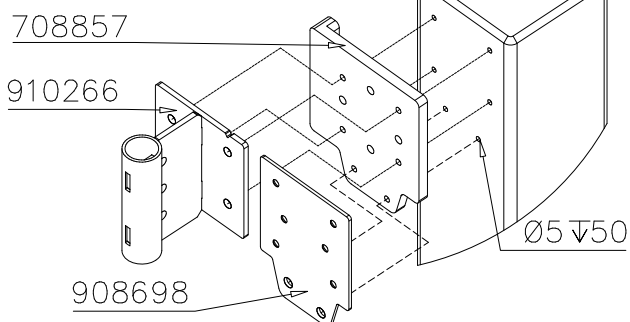


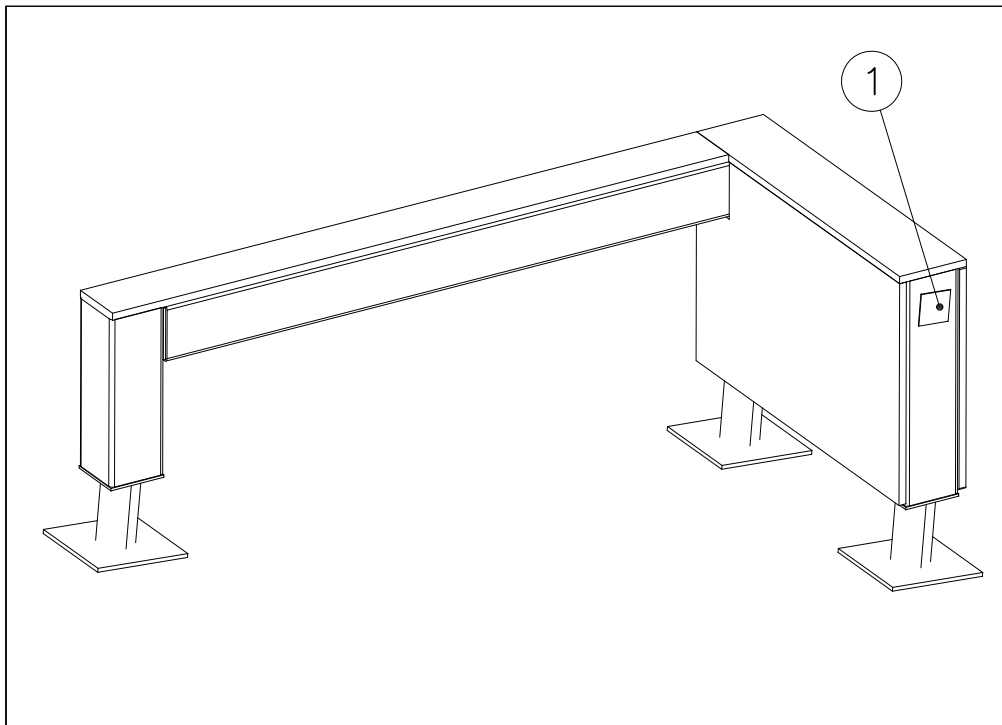
Ø7x60 980123

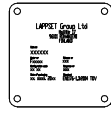
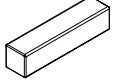



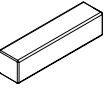
JIG DET A (USE DET 2-4)

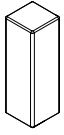
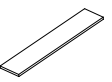
NOTE:
Use drill jig 708857
to predrill $\text{Ø}5\sqrt{50}$
holes for 910266
and 908698

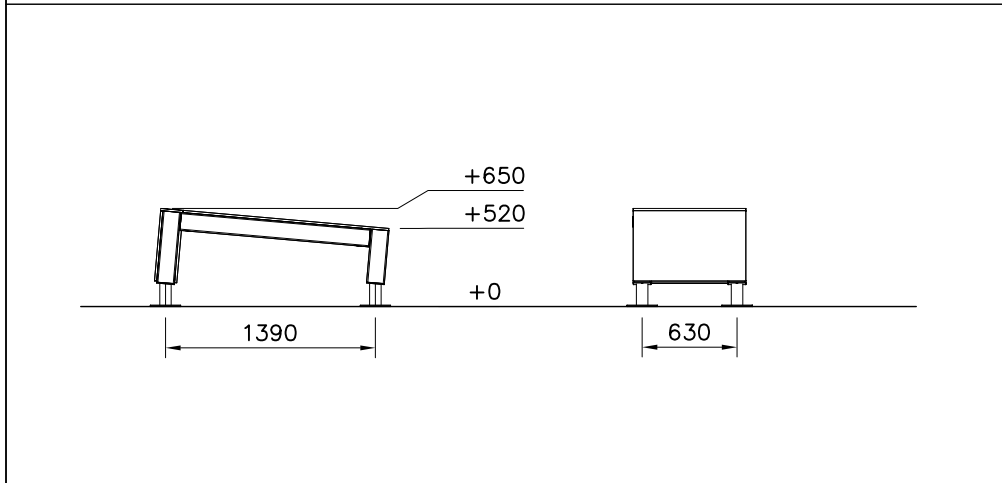



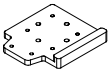


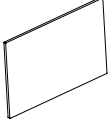

① 702286	PCS	② 707210	PCS
	1		2
65x65		118x118x503	

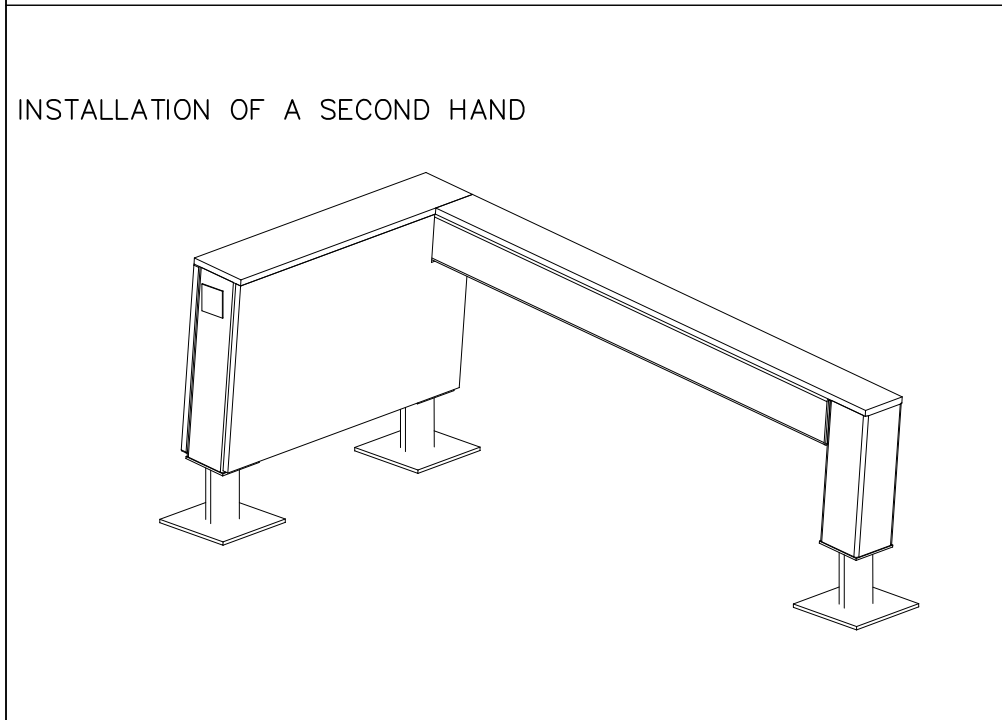
③ 707212	PCS	④ 707889	PCS
	1		2
118x118x1254		118x118x472	



⑤ 708443	PCS	⑥ 708733	PCS
	1		1
118x118x352		15x148x745	


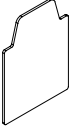


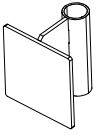
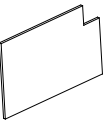
⑦ 708734	PCS	⑧ 708857 JIG	PCS
	1		1
15x118x1365		20x133x149	




⑨ 708731	PCS	⑩ 900240	PCS
	1		16
15x466x745		Ø8x70	



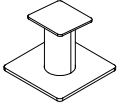

⑪ 903093	PCS	⑫ 905103	PCS
	4		2
Ø8x90		PT-28/32-H	

⑬ 905112	PCS	⑭ 908698	PCS
	4		4
Ø22		3x114x108	

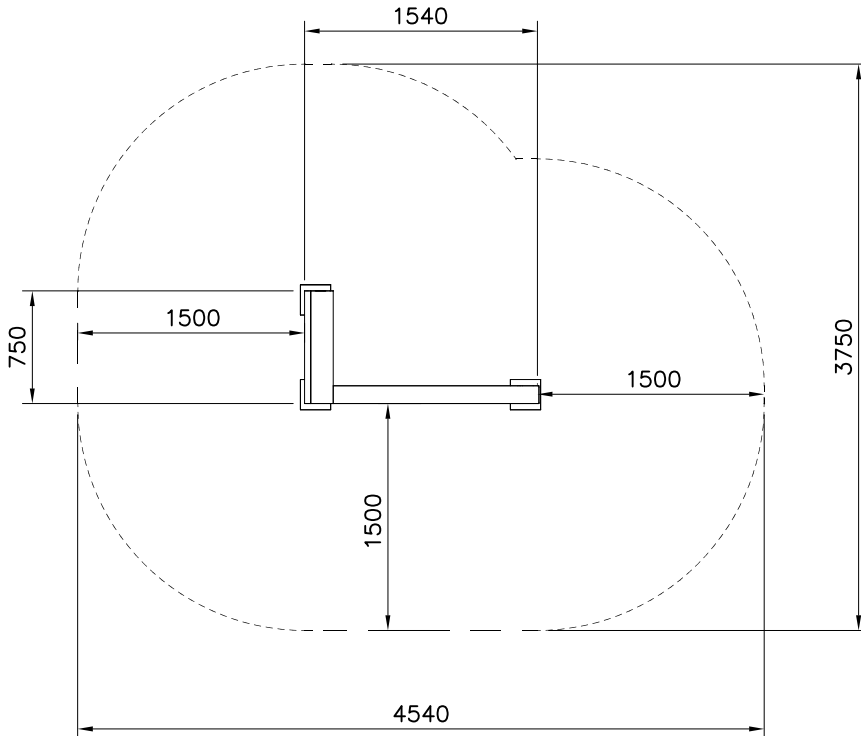
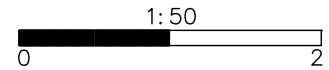
⑮ 910266	PCS	⑯ 708732	PCS
	2		1
90x108x118		15x466x745	

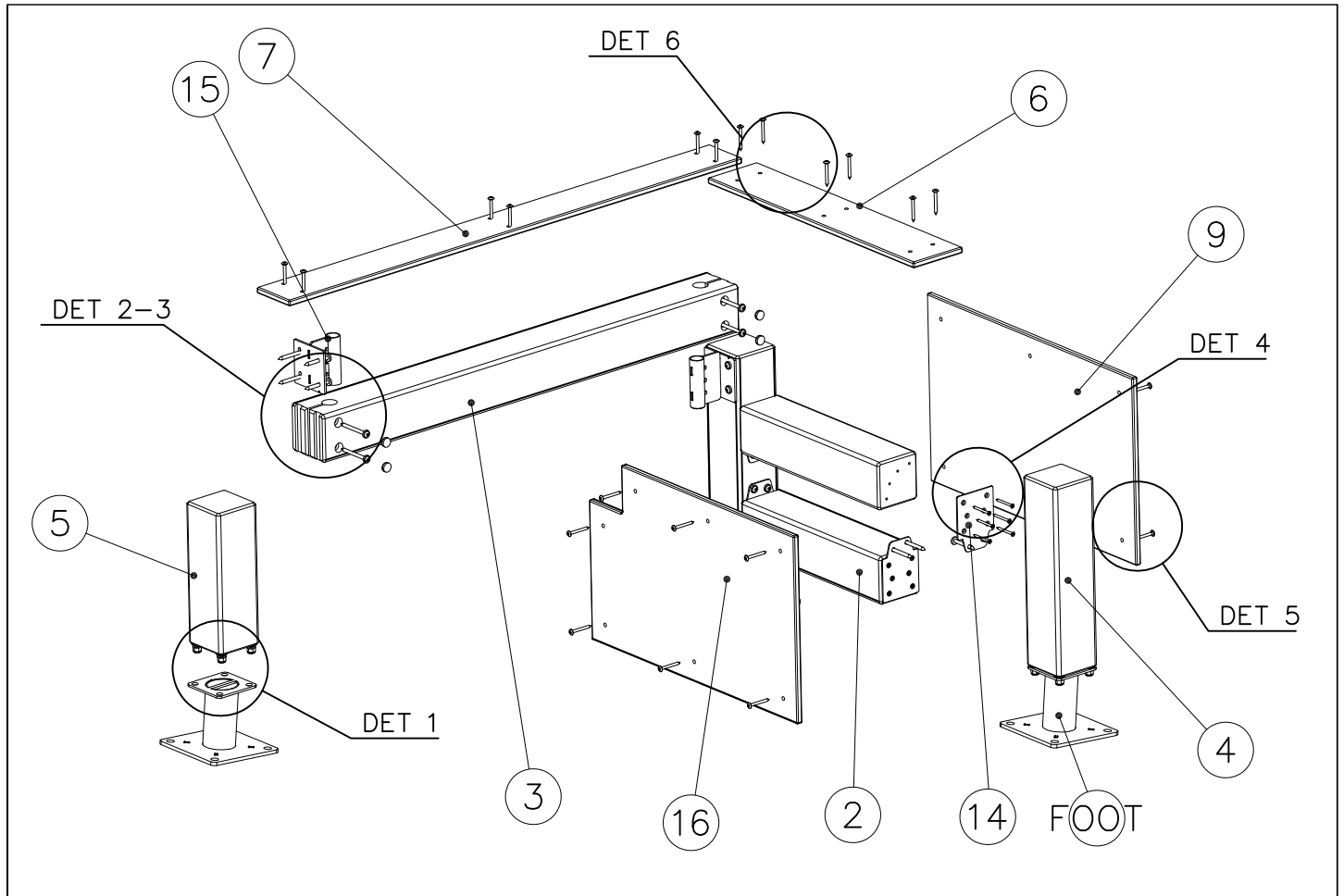
17	980100	PCS	18	980114	PCS	19	980123	PCS
		28			4			25
								
Ø5x60			Ø4x20			Ø7x60		

FOOT OPTIONS

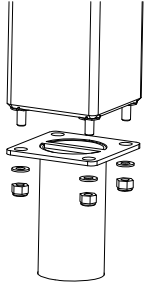
709261+		709262+	
○ 910267	PCS	○ 910567	PCS
SURFACE	3	CONCRETE	3
			
152x200x200		117x117x715	

----- Falling Space 13.8 m²
Max Falling Height 650 mm

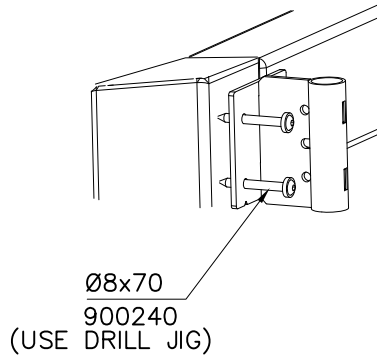




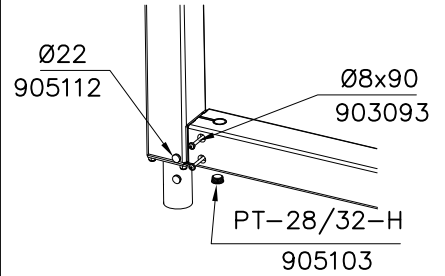
DET 1



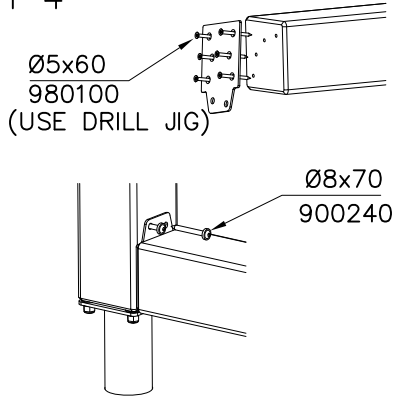
DET 2



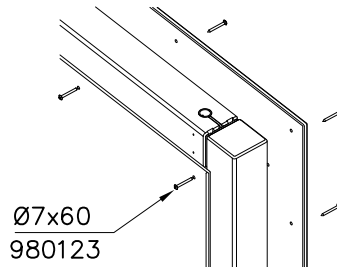
DET 3



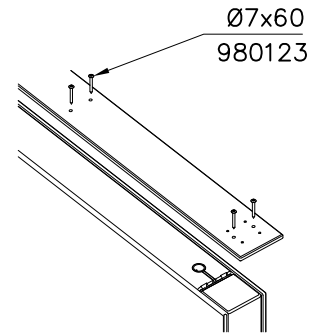
DET 4



DET 5

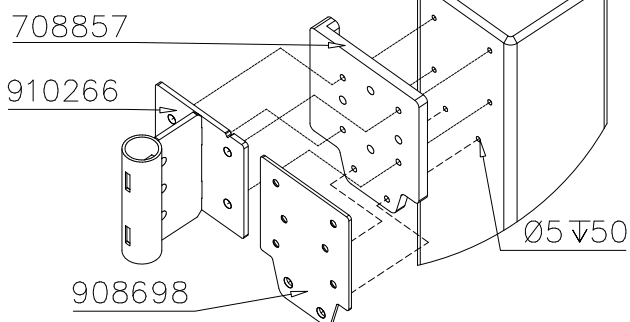


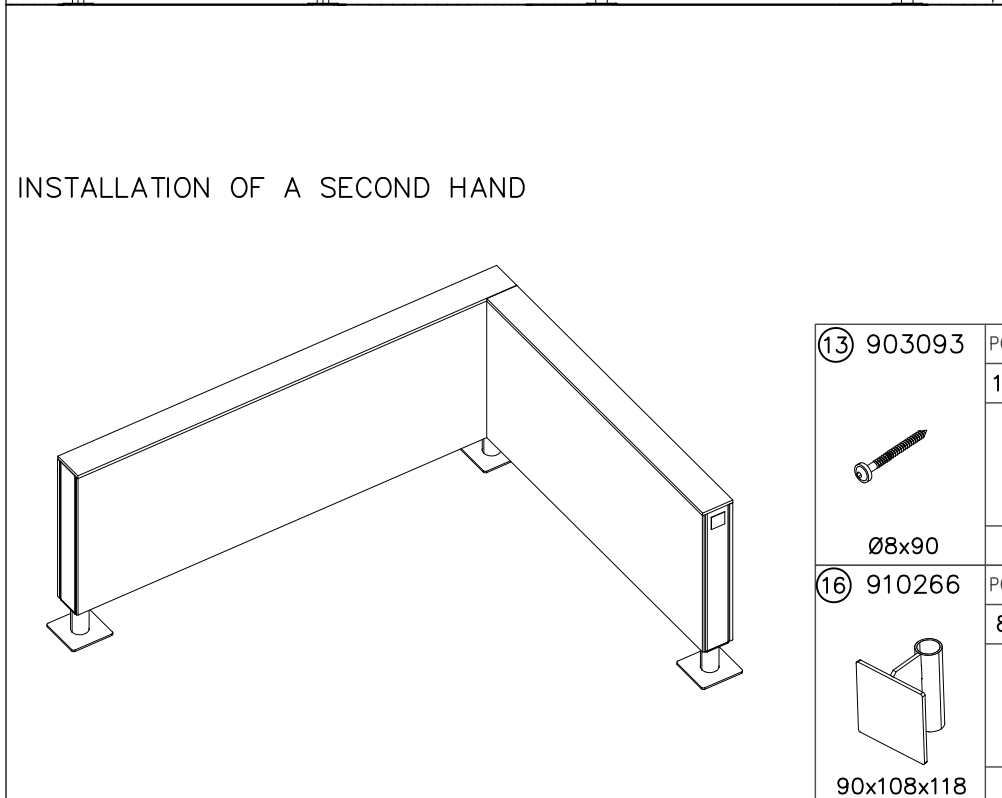
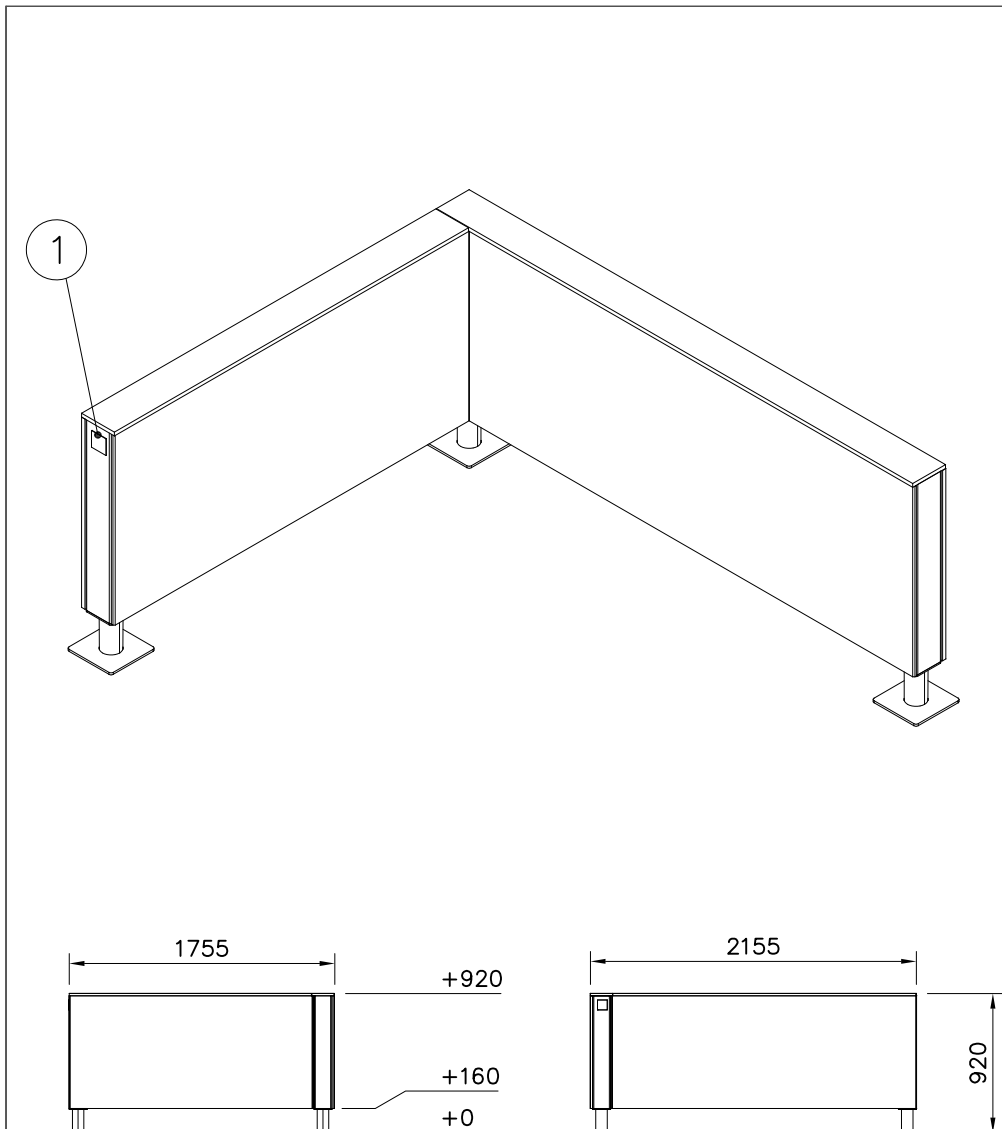
DET 6



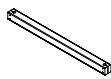


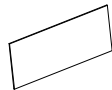

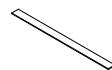
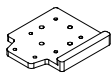
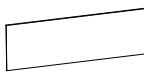





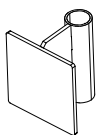




JIG DET A (USE DET 2-4)

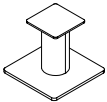
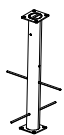
NOTE:
Use drill jig 708857
to predrill $\text{Ø}5\sqrt{50}$
holes for 910266
and 908698



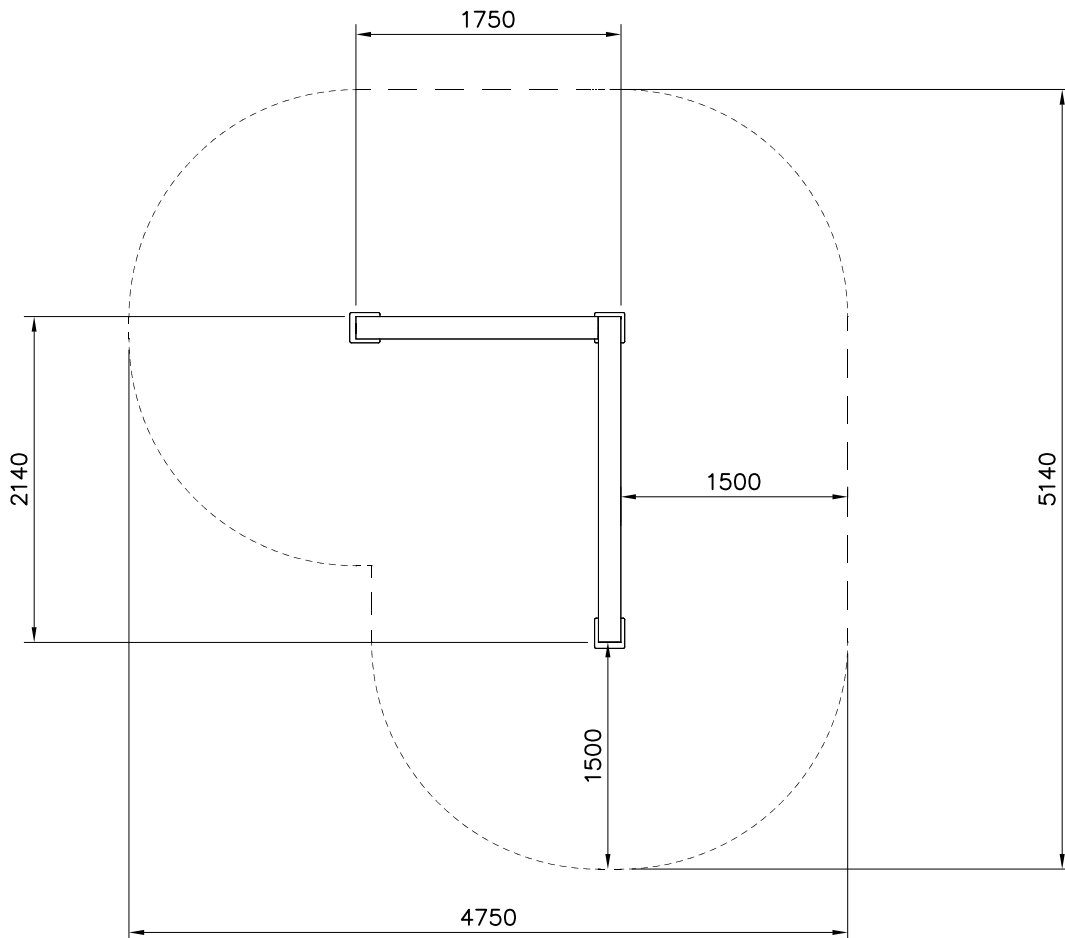
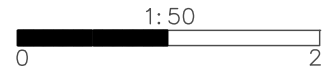


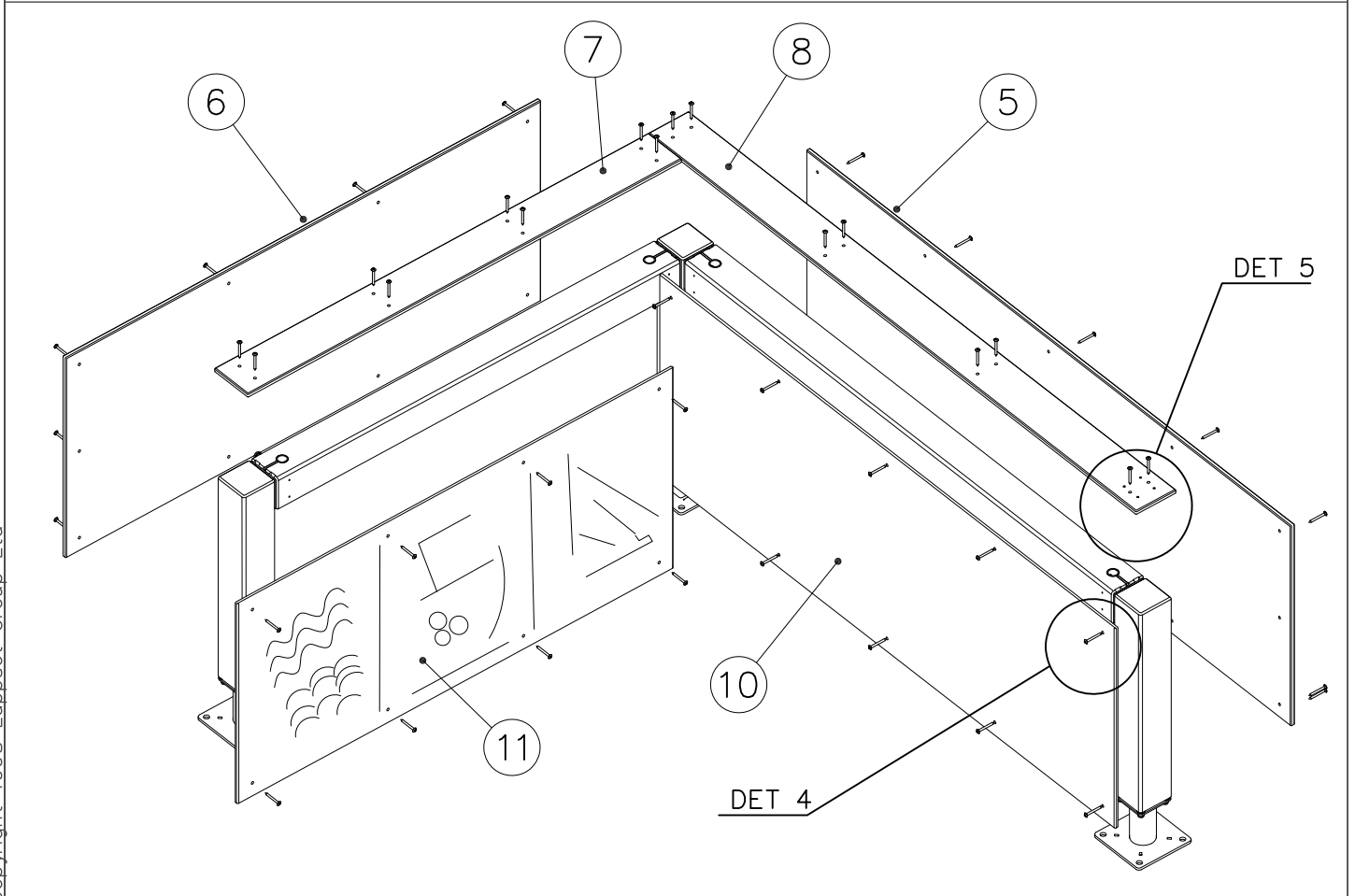
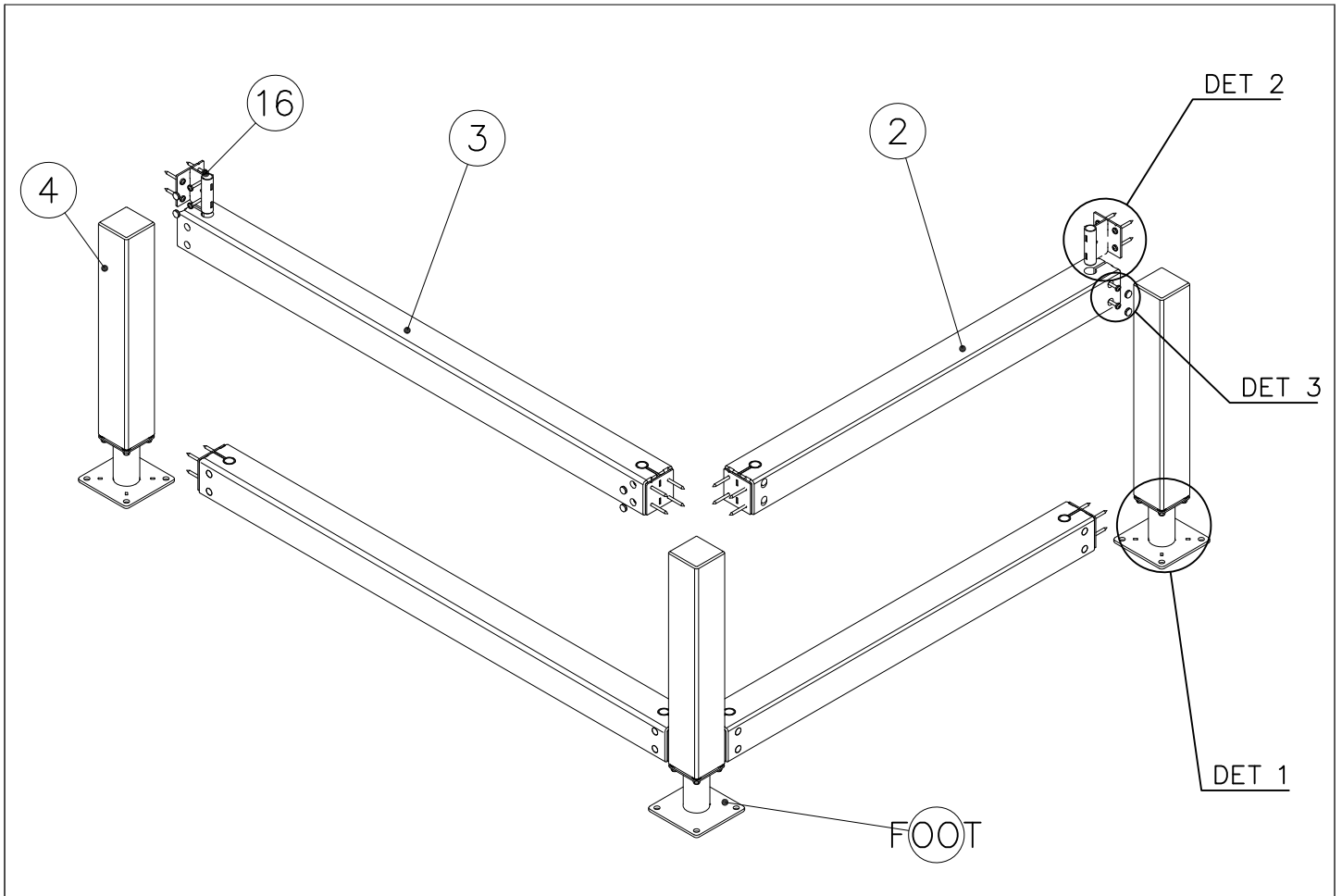
① 702286  65x65	PCS 1	② 707213  118x118x1490	PCS 2
③ 707517  118x118x1892	PCS 2	④ 708137  118x118x745	PCS 3
⑤ 708715  15x745x2140	PCS 1	⑥ 708716  15x745x1753	PCS 1
⑦ 708737  15x148x1601	PCS 1	⑧ 708738  15x148x2153	PCS 1
⑨ 708857 JIG  20x133x149	PCS 1	⑩ 911309 COLOR  12x745x2015	PCS 1
⑪ 911311 MURAL  12x745x1610	PCS 1	⑫ 900240  Ø8x70	PCS 32
⑬ 903093  Ø8x90	PCS 16	⑭ 905103  PT-28/32-H	PCS 8
⑮ 905112  Ø22	PCS 16	⑯ 901266  90x108x118	PCS 8
⑰ 980123  Ø7x60	PCS 56	⑱ 980114  Ø4x20	PCS 4

FOOT OPTIONS

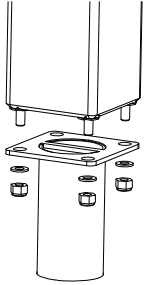
709261+		709262+	
<input type="radio"/> 910330	PCS	<input type="radio"/> 910567	PCS
SURFACE	3	CONCRETE	3
			
152x200x200		117x117x715	

----- Falling Space 18.8 m²
Max Falling Height 920 mm

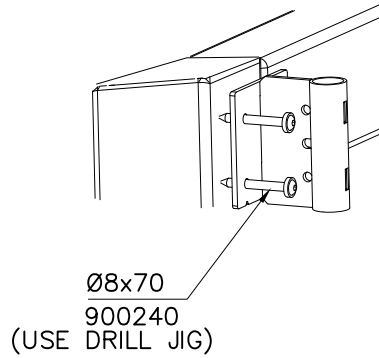




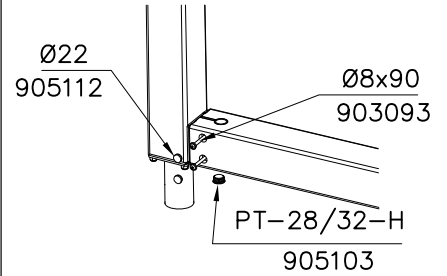
DET 1



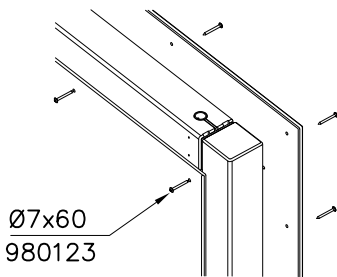
DET 2



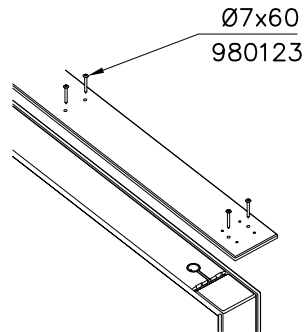
DET 3



DET 4

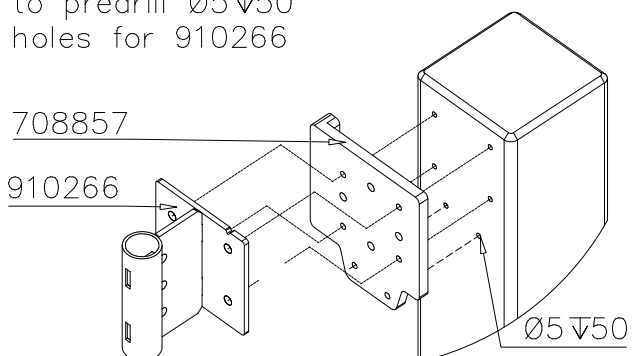


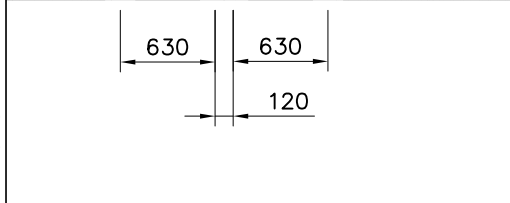
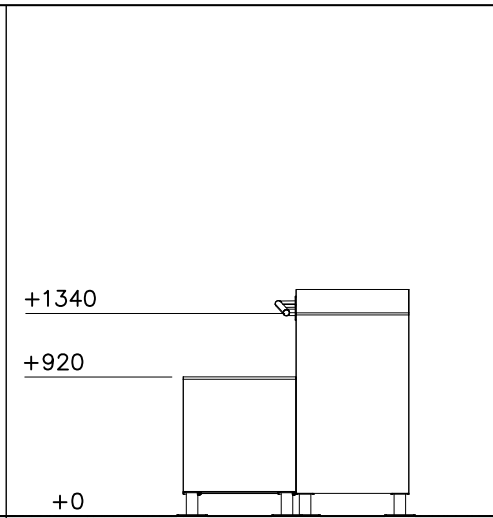
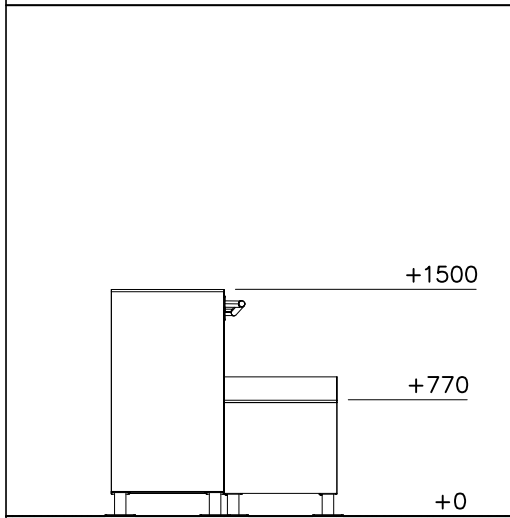
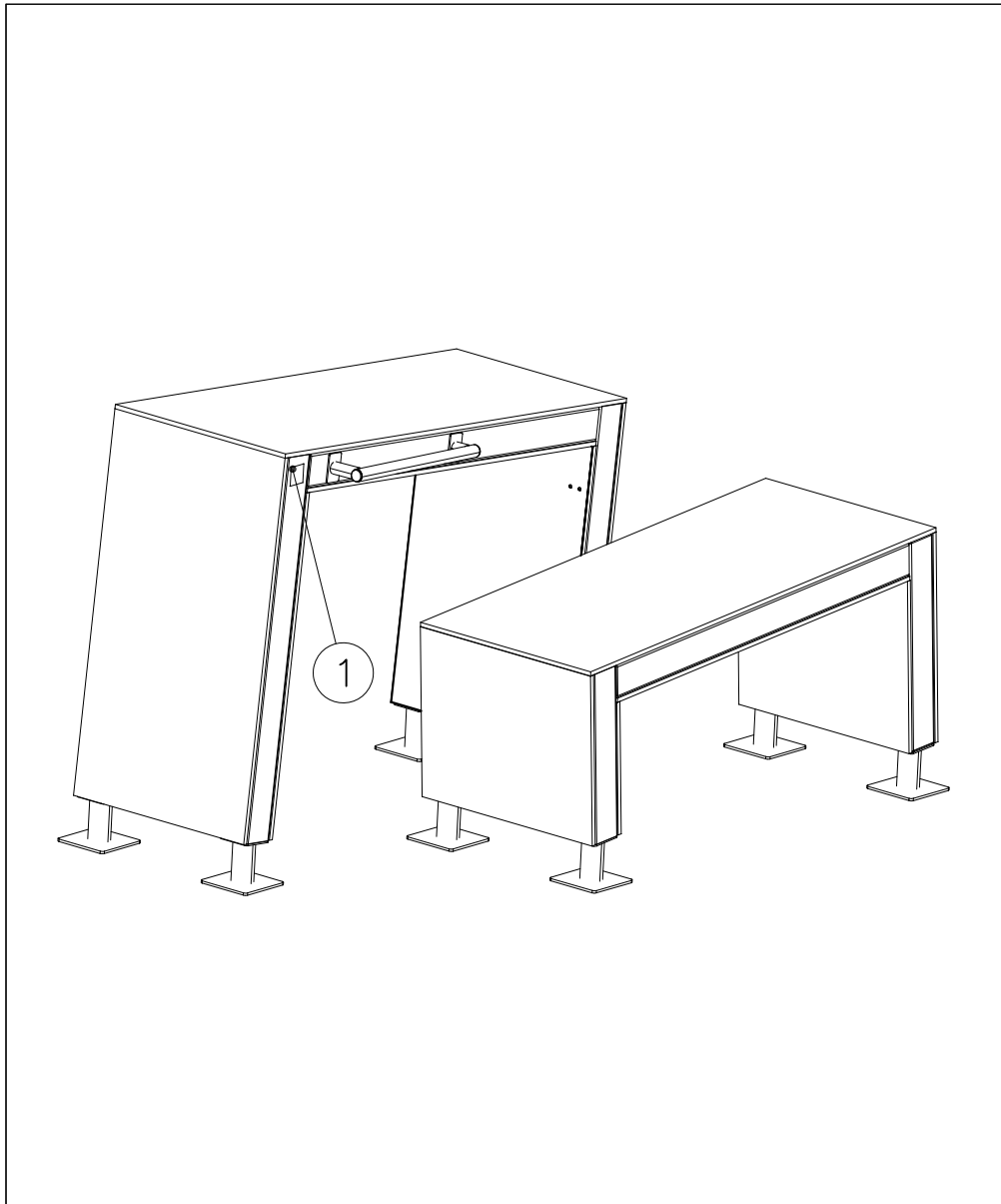
DET 5


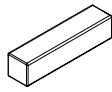





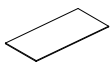
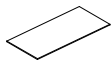
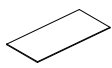
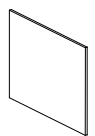
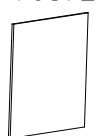
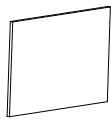
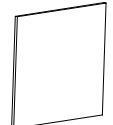
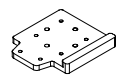



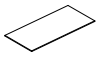
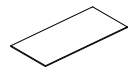
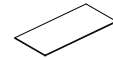
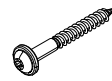

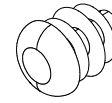

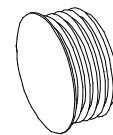

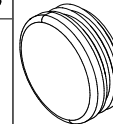
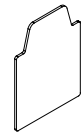


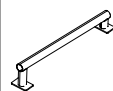
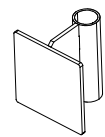


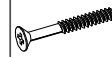

JIG DET A (USE DET 2)

NOTE:
Use drill jig 708857
to predrill $\text{Ø}5 \nabla 50$
holes for 910266

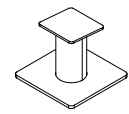



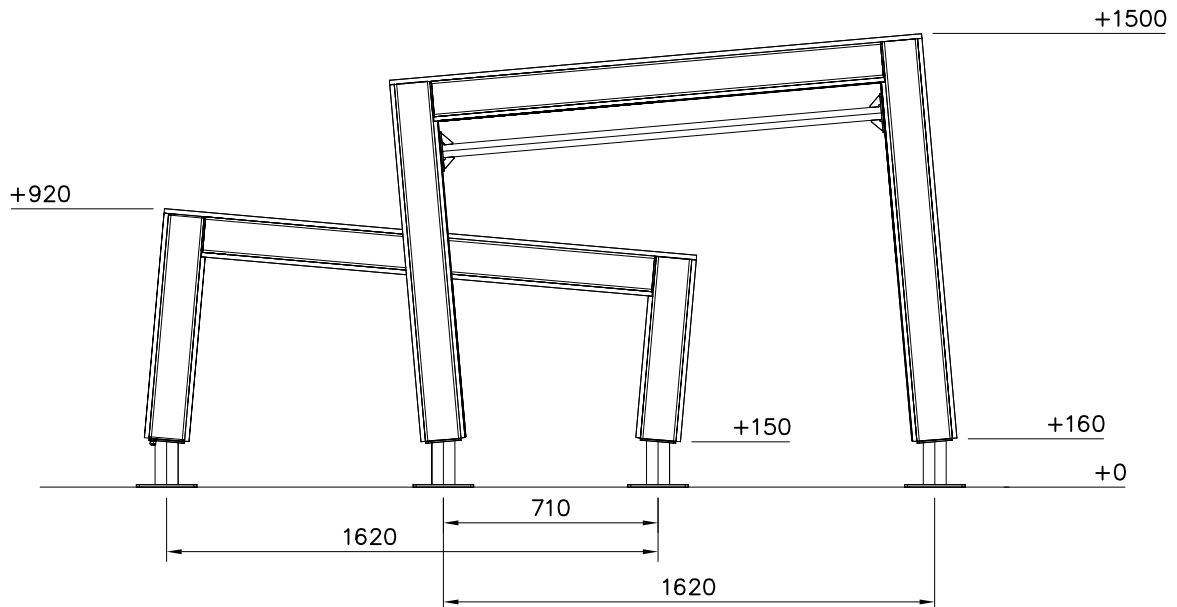


<p>① 702286</p>  <p>65x65</p>	<p>PCS</p> <p>1</p>	<p>② 707210</p>  <p>118x118x503</p>	<p>PCS</p> <p>8</p>
<p>③ 707213</p>  <p>118x118x1490</p>	<p>PCS</p> <p>4</p>	<p>④ 708042</p>  <p>118x118x1185</p>	<p>PCS</p> <p>2</p>
<p>⑤ 708125</p>  <p>118x118x1326</p>	<p>PCS</p> <p>2</p>	<p>⑥ 708127</p>  <p>118x118x603</p>	<p>PCS</p> <p>2</p>
<p>⑦ 708137</p>  <p>118x118x745</p>	<p>PCS</p> <p>2</p>	<p>⑧ 708721</p>  <p>15x745x1766</p>	<p>PCS</p> <p>2</p>
<p>⑨ 708723</p>  <p>15x745x1185</p>	<p>PCS</p> <p>1</p>	<p>⑩ 708724</p>  <p>15x745x1326</p>	<p>PCS</p> <p>1</p>
<p>⑪ 708725</p>  <p>15x603x745</p>	<p>PCS</p> <p>1</p>	<p>⑫ 708726</p>  <p>15x745x745</p>	<p>PCS</p> <p>1</p>
<p>⑬ 708834</p>  <p>15x745x470</p>	<p>PCS</p> <p>1</p>	<p>⑭ 708835</p>  <p>15x745x612</p>	<p>PCS</p> <p>1</p>
<p>⑮ 708857</p> <p>JIG</p>  <p>20x133x149</p>	<p>PCS</p> <p>1</p>	<p>⑯ 709204</p>  <p>15x745x1495</p>	<p>PCS</p> <p>1</p>

17	911303 COLOR	PCS 1	18	911305 COLOR	PCS 1	19	911307 COLOR	PCS 1	20	900240	PCS 76	21	903093	PCS 16	22	903533	PCS 6
																	
15x745x1495			15x745x1192			15x745x1050			Ø8x70			Ø8x90			SRL12		
23	905086	PCS 2	24	905103	PCS 16	25	905112	PCS 16	26	908371	PCS 2	27	908698	PCS 16	28	909132	PCS 1
																	
Ø44/13.5x3.9			PT-28/32-H			Ø22			42-38/40			3x114x108			M12x280		
29	909248	PCS 1	30	910056	PCS 1	31	910266	PCS 8	32	980123	PCS 88	33	910328	PCS 1	34	980100	PCS 96
																	
M12			140x690			90x108x118			Ø7x60			L 1466			Ø5x60		
35	980114	PCS 4															
																	
Ø4x20																	

FOOT OPTIONS

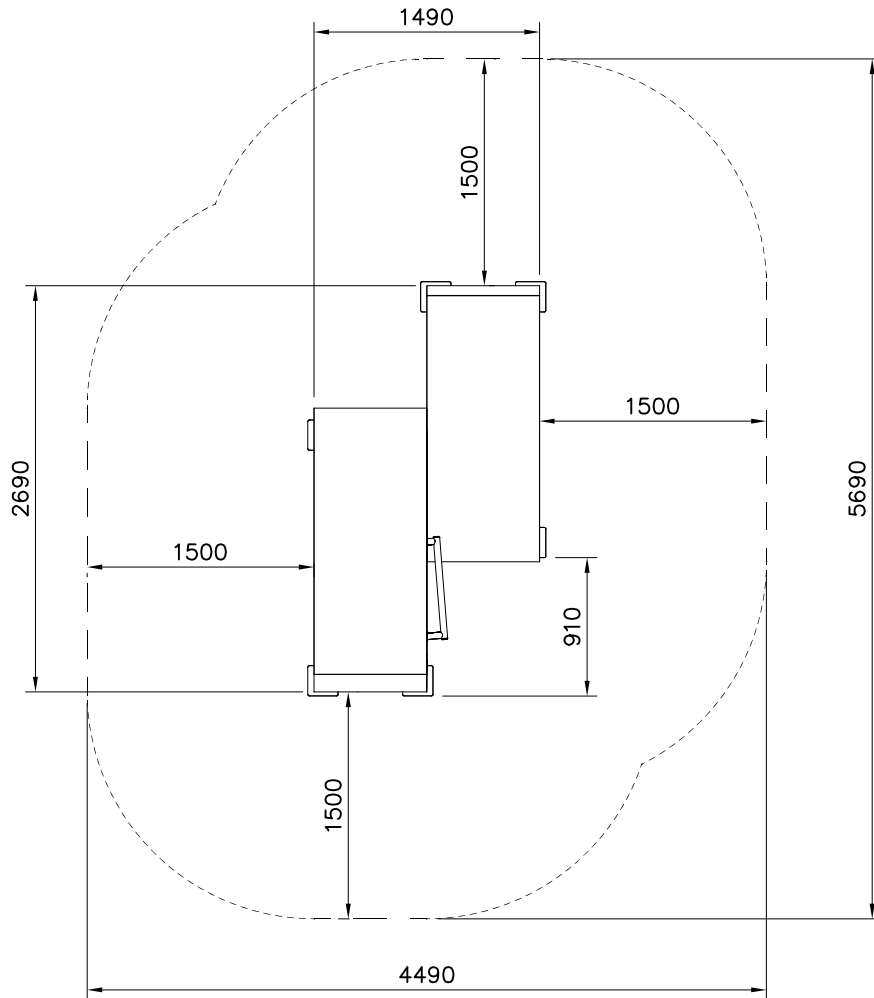
709261+		709262+	
○ 910267	PCS 8	○ 910567	PCS 8
SURFACE		CONCRETE	
			
152x200x200		117x117x715	



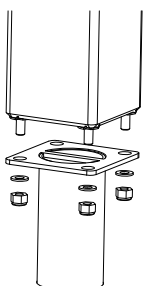
1:50



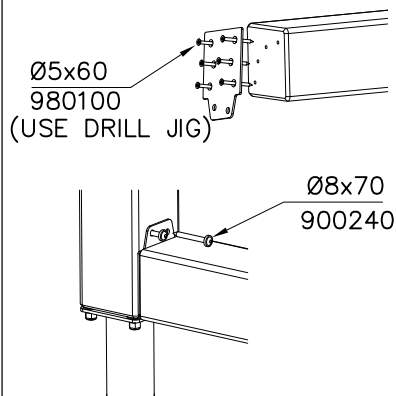
----- Falling Space 21.5 m²
Max Falling Height 1500 mm



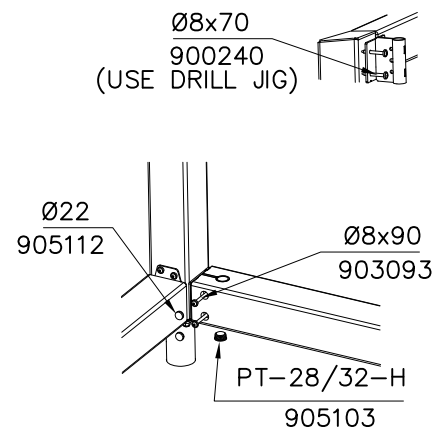
DET 1

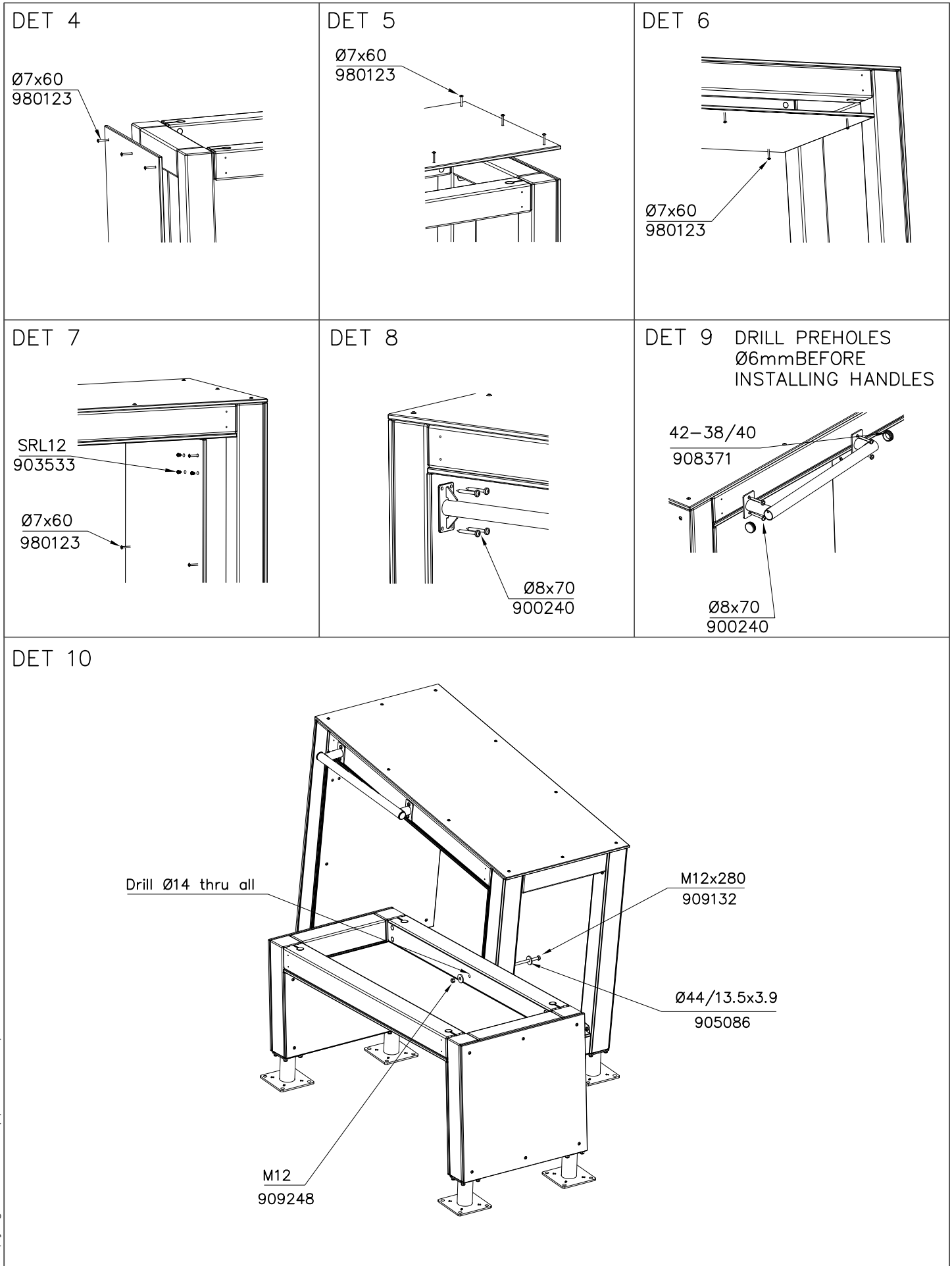


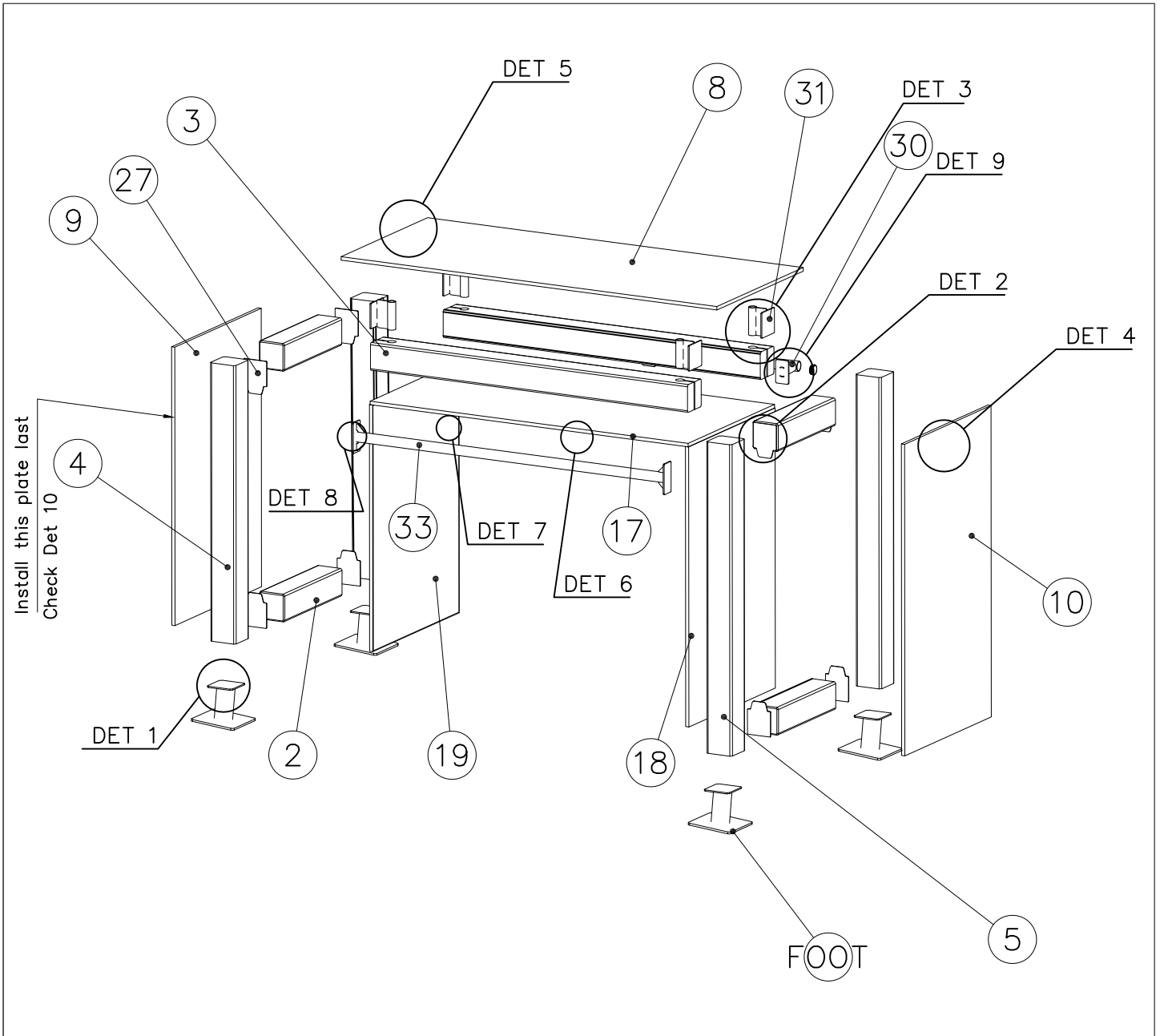
DET 2



DET 3



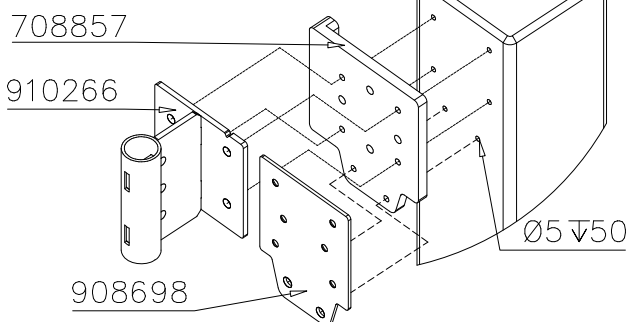




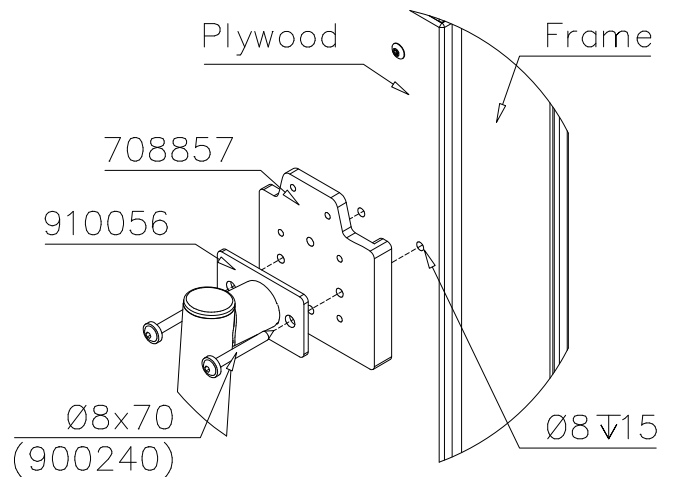
JIG DET A (USE DET 2-3)

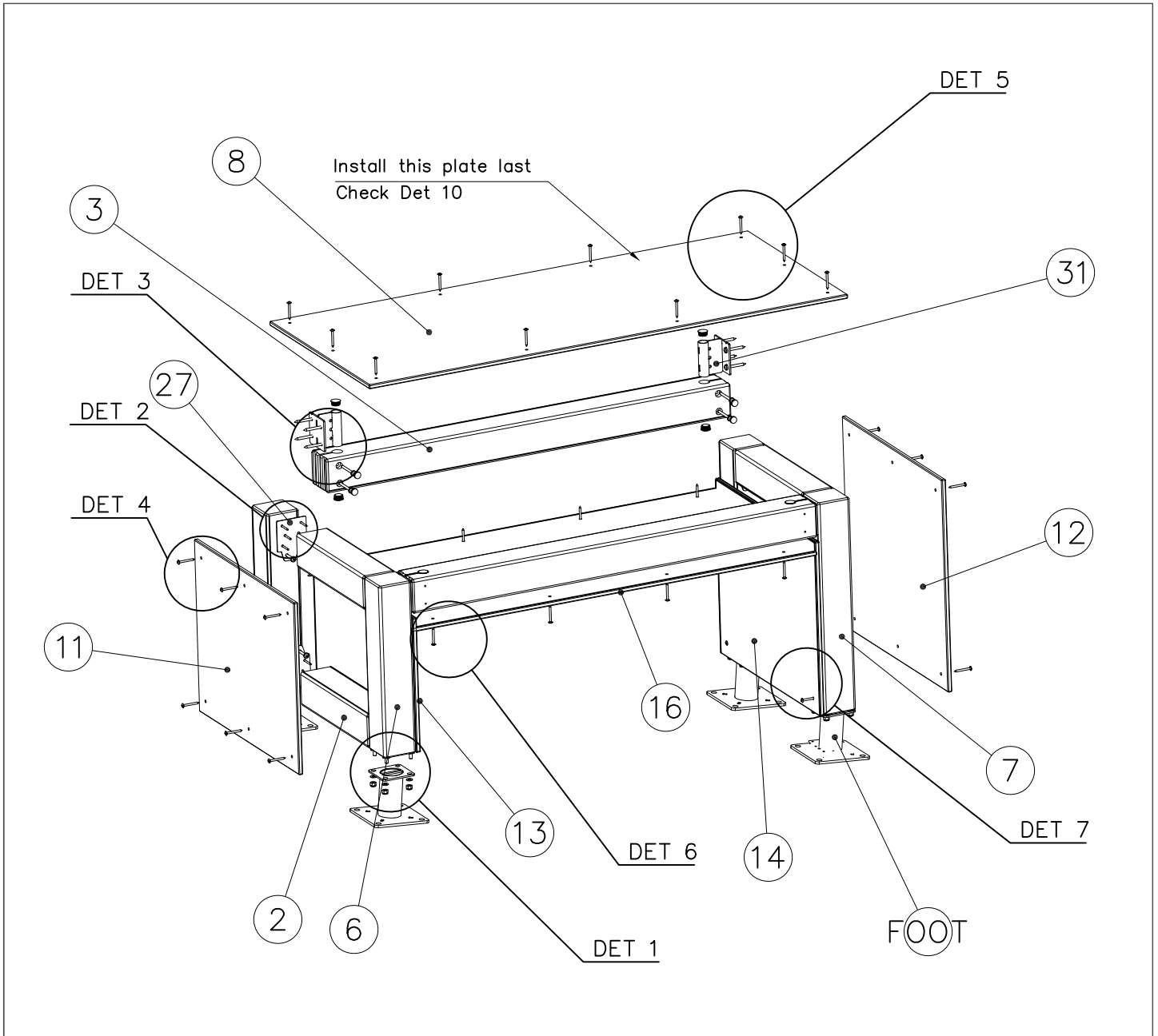
NOTE:

Use drill jig 708857 to predrill $\text{Ø}5 \nabla 50$ holes for 910266 and 908698



JIG DET B (USE DET 9)

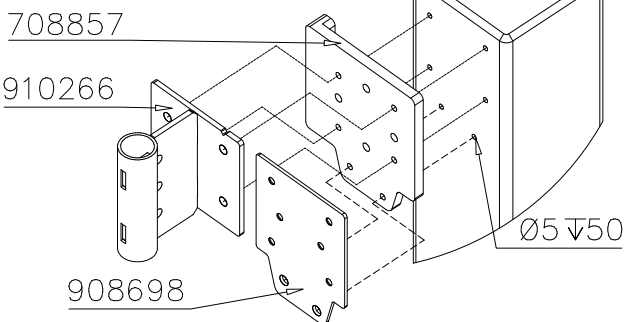


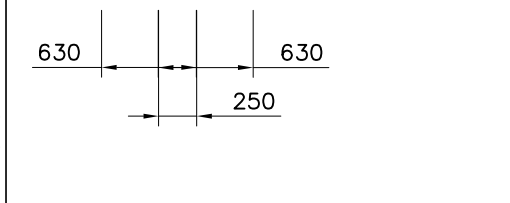
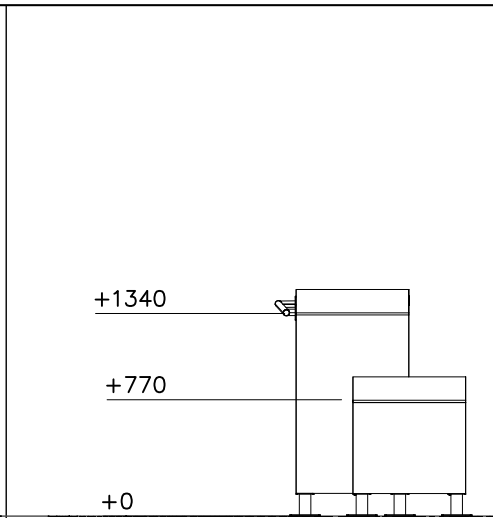
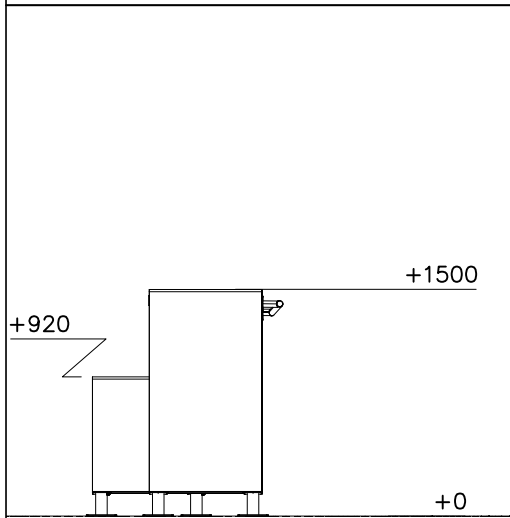
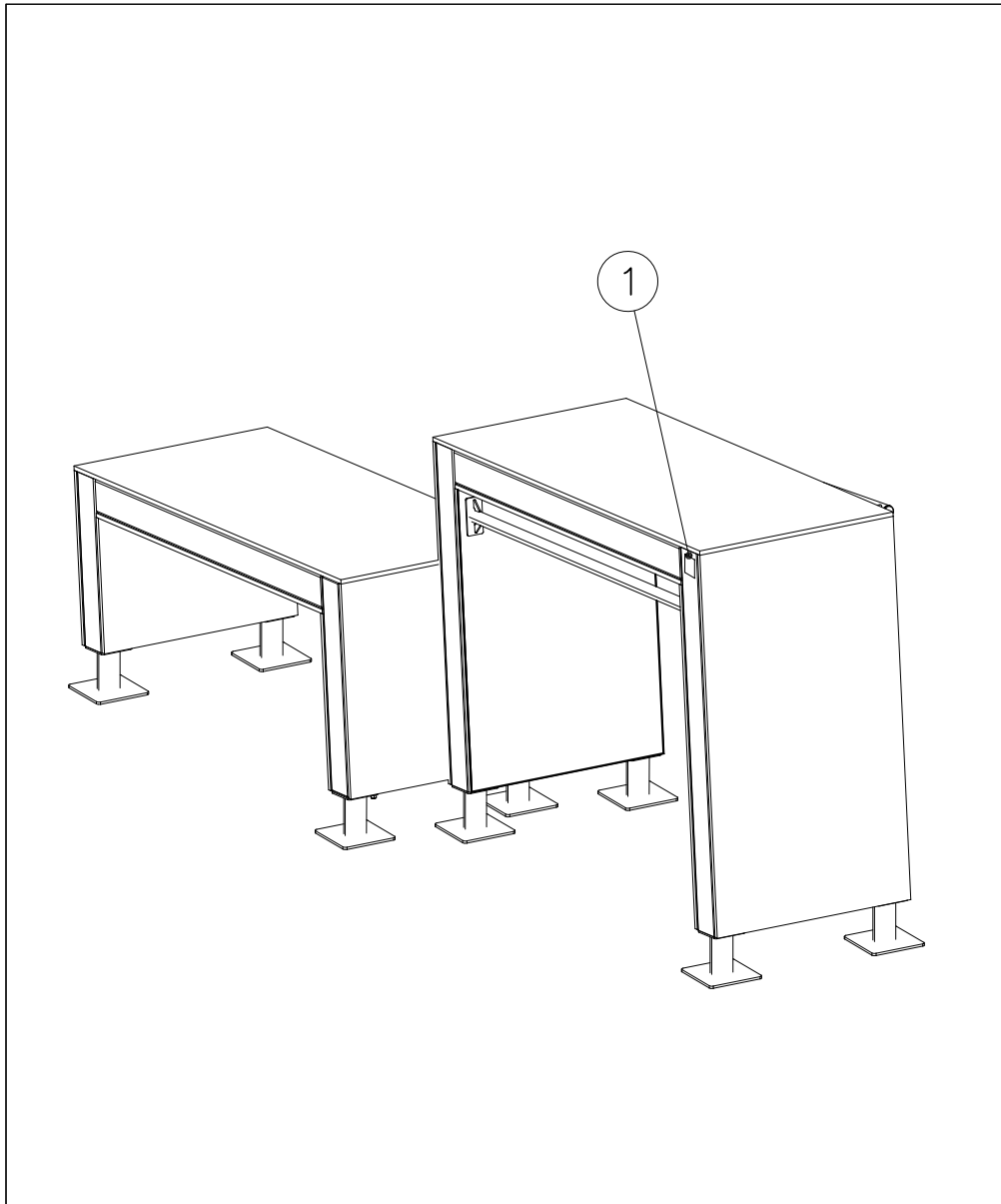



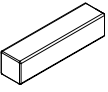





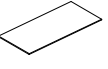

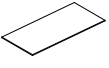
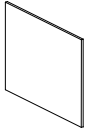

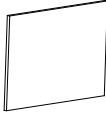

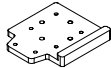

JIG DET A (USE DET 2-3)

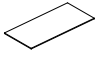
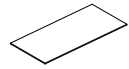
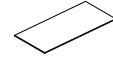
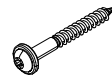

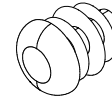

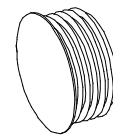
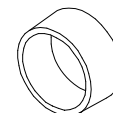
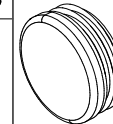
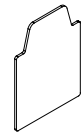


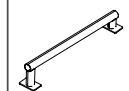
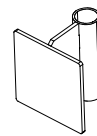
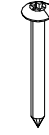
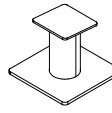

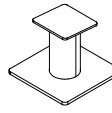

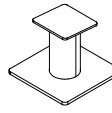

NOTE:

Use drill jig 708857
to predrill $\text{Ø}5 \nabla 50$
holes for 910266
and 908698





① 702286  65x65	PCS 1	② 707210  118x118x503	PCS 8
③ 707213  118x118x1490	PCS 4	④ 708042  118x118x1185	PCS 2
⑤ 708125  118x118x1326	PCS 2	⑥ 708127  118x118x603	PCS 2
⑦ 708137  118x118x745	PCS 2	⑧ 708721  15x745x1766	PCS 2
⑨ 708723  15x745x1185	PCS 1	⑩ 708724  15x745x1326	PCS 1
⑪ 708725  15x603x745	PCS 1	⑫ 708726  15x745x745	PCS 1
⑬ 708834  15x745x470	PCS 1	⑭ 708835  15x745x612	PCS 1
⑮ 708857 JIG  20x133x149	PCS 1	⑯ 709204  15x745x1495	PCS 1

<p>17 911303 COLOR</p>  <p>15x745x1495</p>	<p>PCS 1</p>	<p>18 911305 COLOR</p>  <p>15x745x1192</p>	<p>PCS 1</p>	<p>19 911307 COLOR</p>  <p>15x745x1050</p>	<p>PCS 1</p>	<p>20 900240</p>  <p>Ø8x70</p>	<p>PCS 76</p>	<p>21 903093</p>  <p>Ø8x90</p>	<p>PCS 20</p>	<p>22 903533</p>  <p>SRL12</p>	<p>PCS 6</p>				
<p>23 980114</p>  <p>Ø4x20</p>	<p>PCS 4</p>	<p>24 905103</p>  <p>PT-28/32-H</p>	<p>PCS 16</p>	<p>25 905112</p>  <p>Ø22</p>	<p>PCS 16</p>	<p>26 908371</p>  <p>42-38/40</p>	<p>PCS 2</p>	<p>27 908698</p>  <p>3x114x108</p>	<p>PCS 16</p>	<p>28 980100</p>  <p>Ø5x60</p>	<p>PCS 96</p>				
<p>29 910328</p>  <p>L 1466</p>	<p>PCS 1</p>	<p>30 910056</p>  <p>140x690</p>	<p>PCS 1</p>	<p>31 910266</p>  <p>90x108x118</p>	<p>PCS 8</p>	<p>32 980123</p>  <p>Ø7x60</p>	<p>PCS 88</p>	<p>FOOT OPTIONS</p> <p>709261+ 709262+</p> <table border="1"> <tbody> <tr> <td> <p>910267 SURFACE</p>  <p>152x200x200</p> </td> <td> <p>PCS 8</p> </td> <td> <p>910567 CONCRETE</p>  <p>117x117x715</p> </td> <td> <p>PCS 8</p> </td> </tr> </tbody> </table>				<p>910267 SURFACE</p>  <p>152x200x200</p>	<p>PCS 8</p>	<p>910567 CONCRETE</p>  <p>117x117x715</p>	<p>PCS 8</p>
<p>910267 SURFACE</p>  <p>152x200x200</p>	<p>PCS 8</p>	<p>910567 CONCRETE</p>  <p>117x117x715</p>	<p>PCS 8</p>												

+1500

+1340

+920

+770

+150

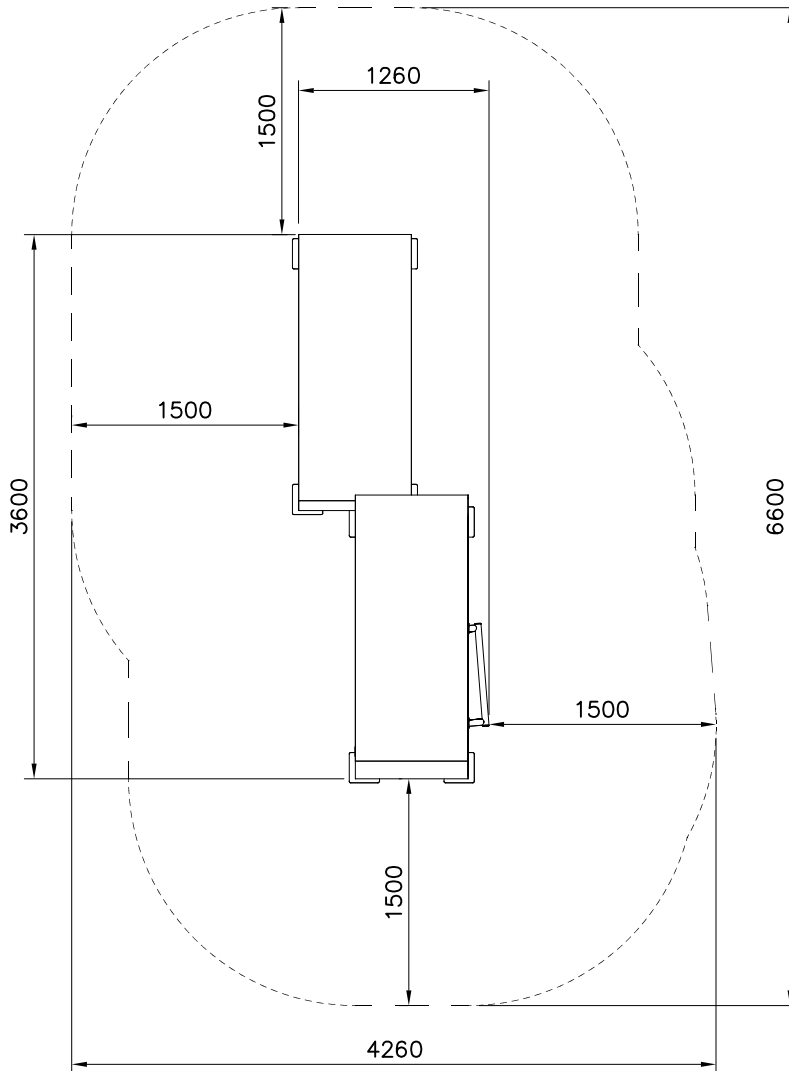
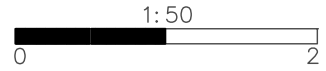
+0

+160

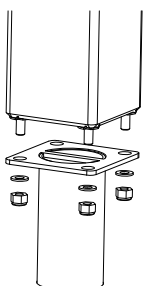
1620

1620

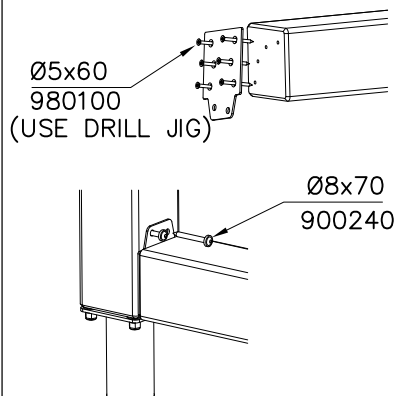
----- Falling Space 23.5 m²
Max Falling Height 1500 mm



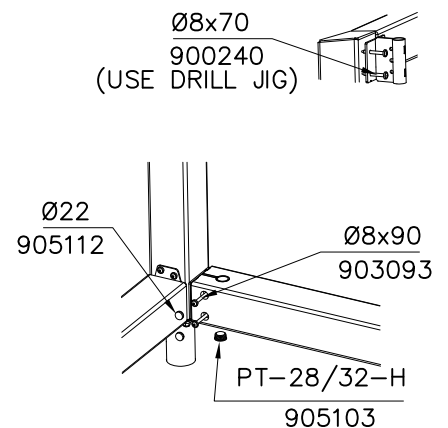
DET 1



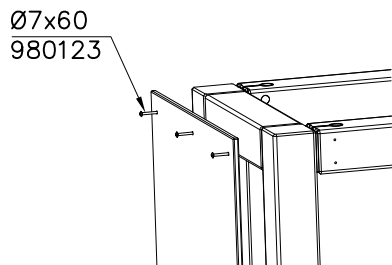
DET 2



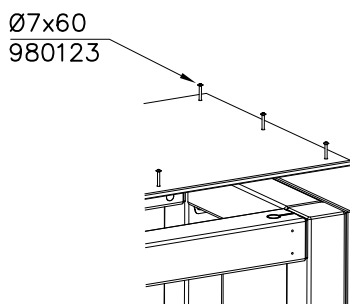
DET 3



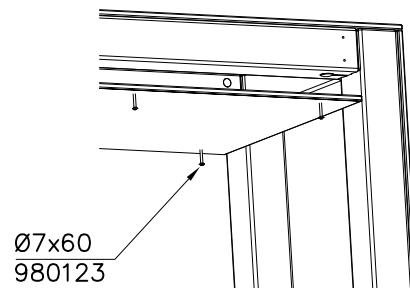
DET 4



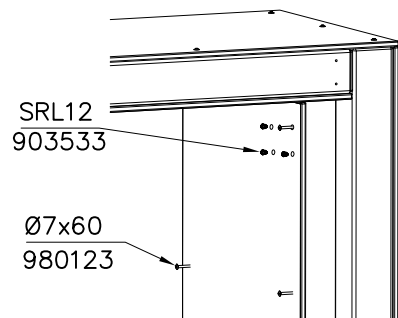
DET 5



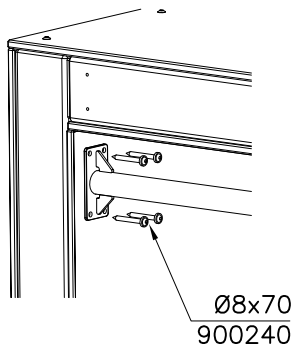
DET 6



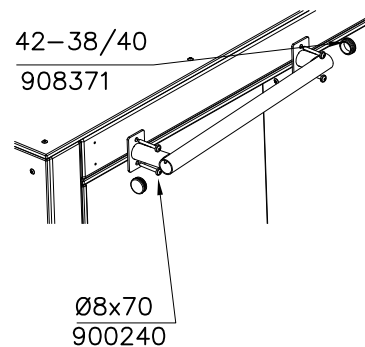
DET 7



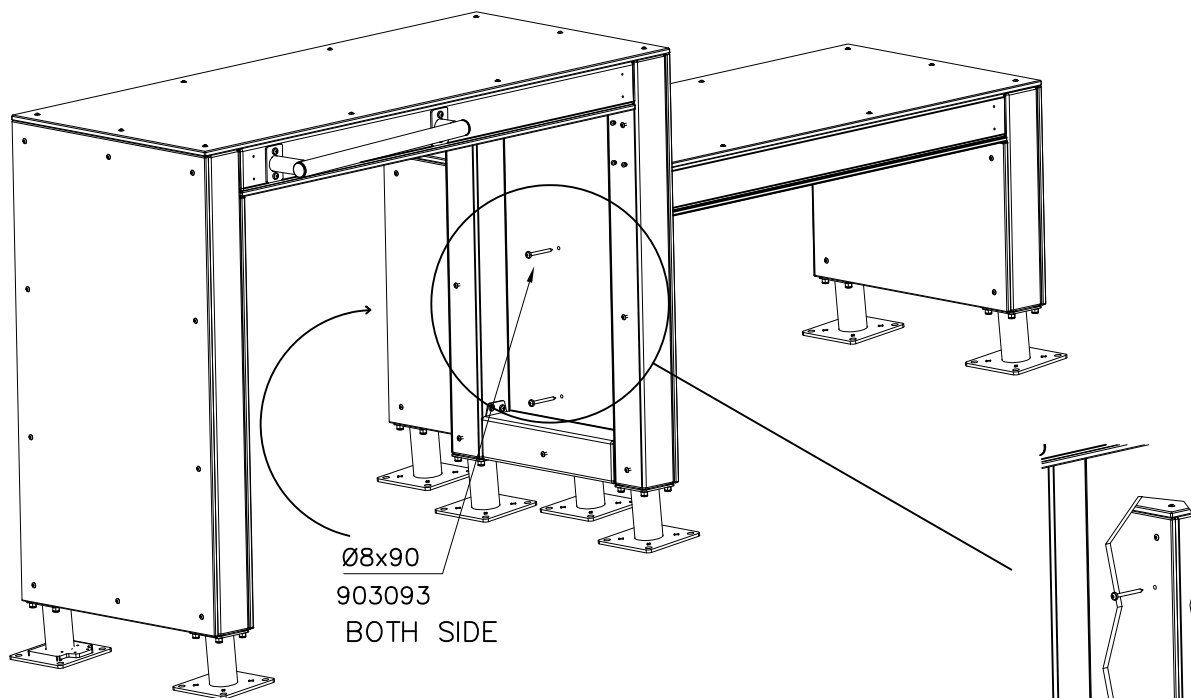
DET 8

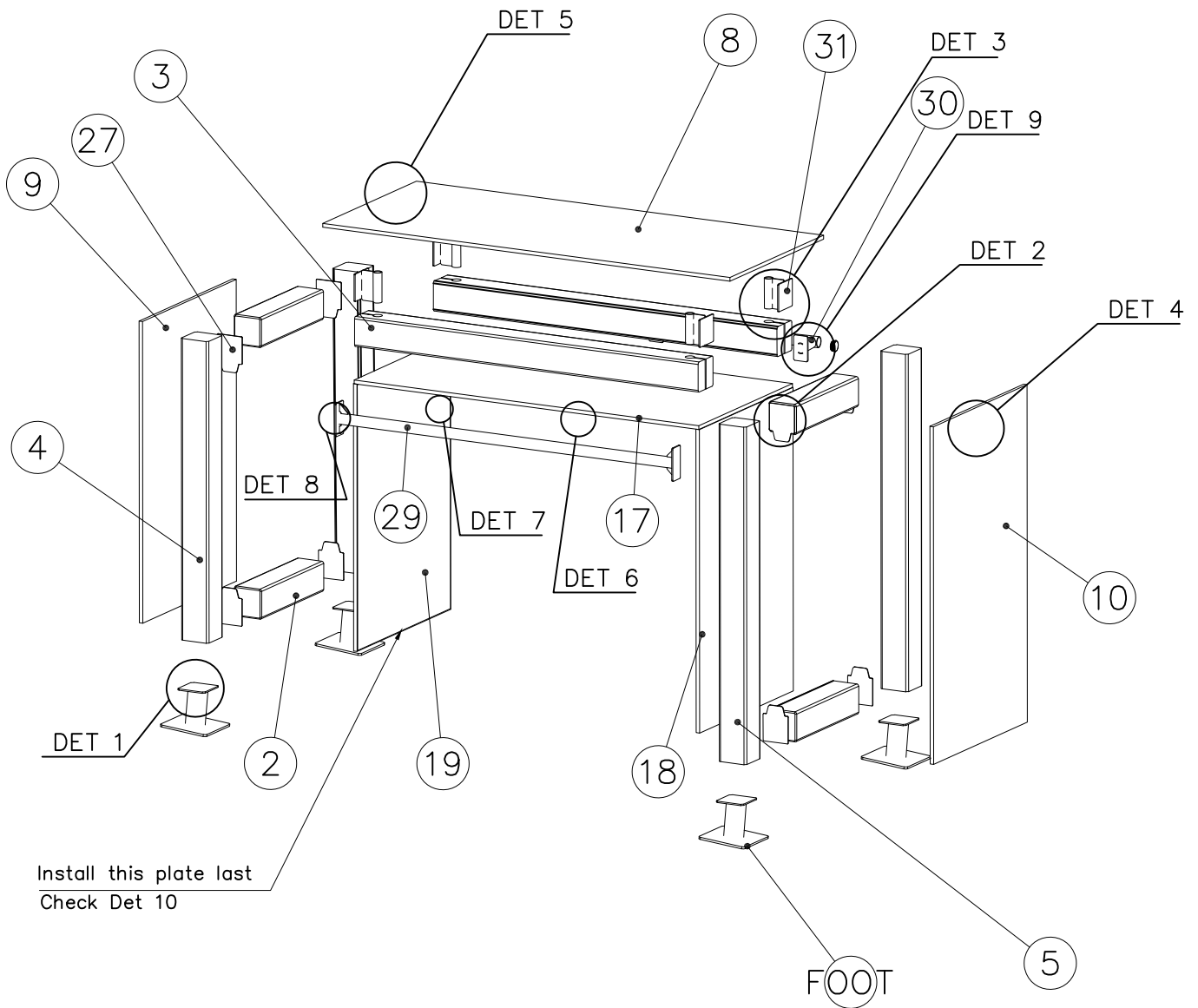


DET 9 DRILL PREHOLES
Ø6mm BEFORE
INSTALLING HANDLES



DET 10

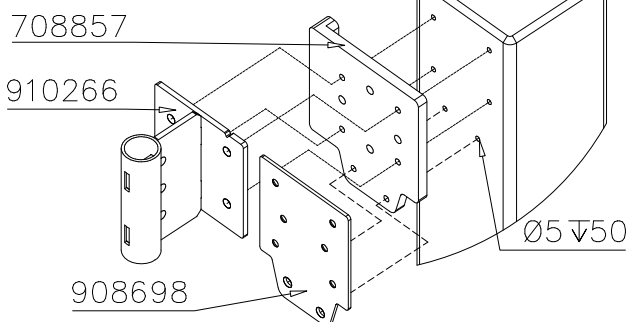




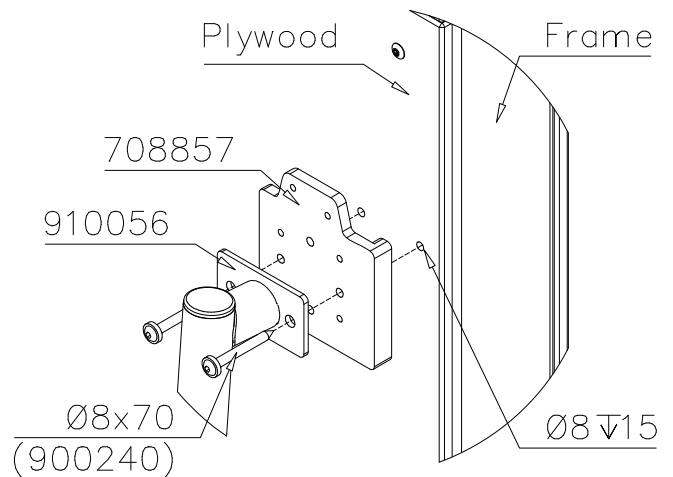
JIG DET A (USE DET 2-3)

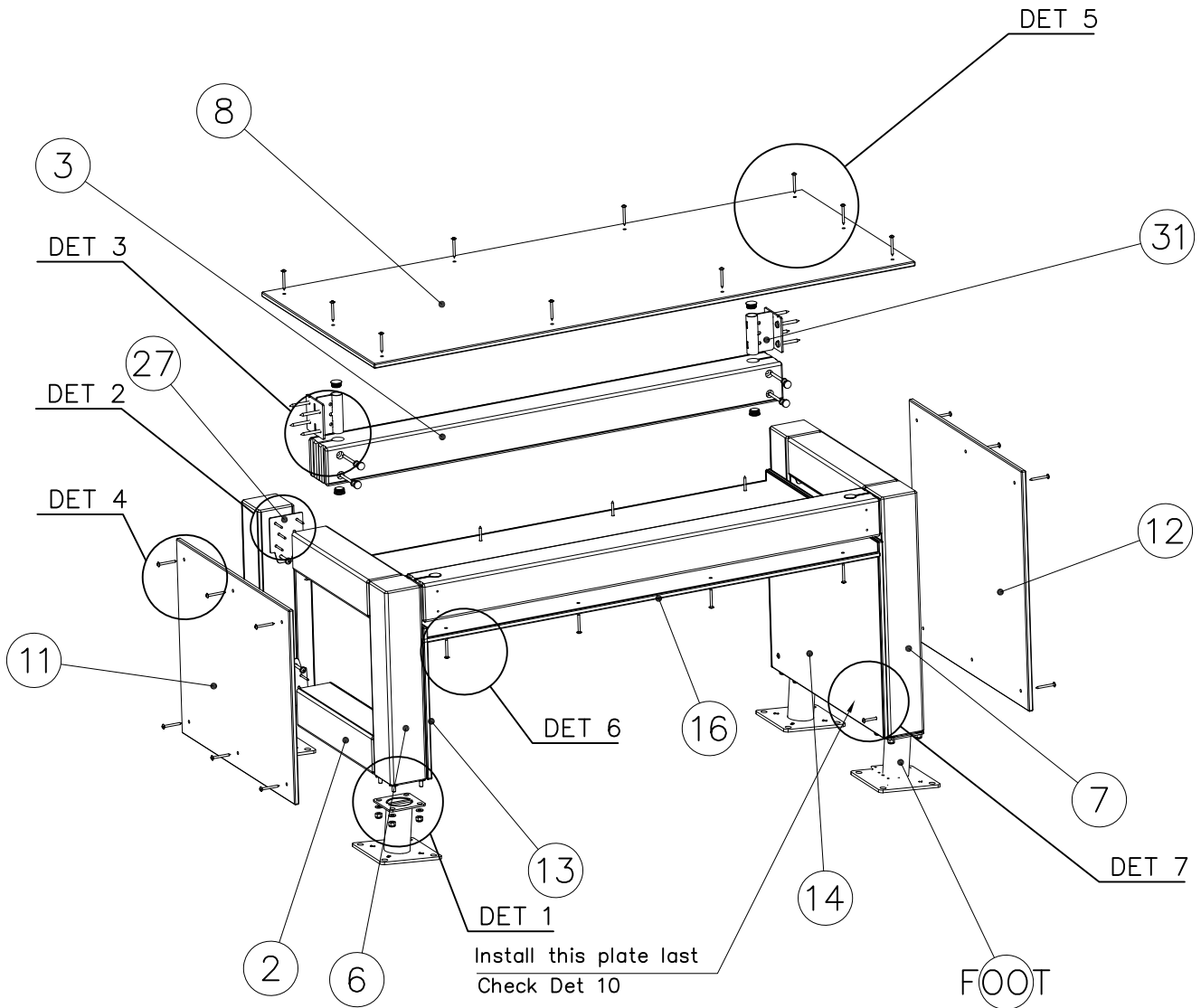
NOTE:

Use drill jig 708857 to predrill $\text{Ø}5 \nabla 50$ holes for 910266 and 908698



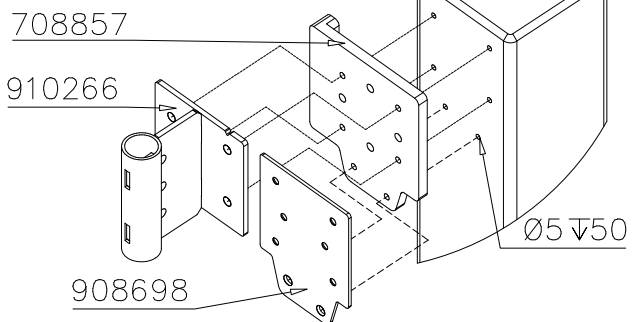
JIG DET B (USE DET 9)

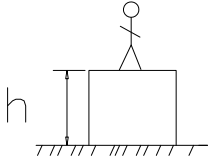




JIG DET A (USE DET 2-3)

NOTE:
Use drill jig 708857
to predrill $\text{Ø}5 \nabla 50$
holes for 910266
and 908698





$h < 1600$

Totally hard surfaces or materials with very limited impact attenuating properties.

Case by case risk assessment is needed including e.g. evaluation whether there is forced movement, what is the intended exercise and where will the product be installed.

Materials with significant impact attenuating properties.

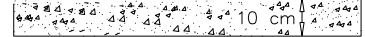
Totally hard surfaces.
E.g. concrete or asphalt



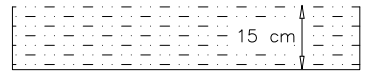
Materials with very limited impact attenuating properties.
E.g. wood



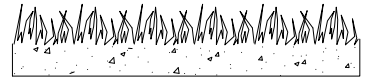
fine gravel 0–8 mm



Unsorted sand/ topsoil



Lawn

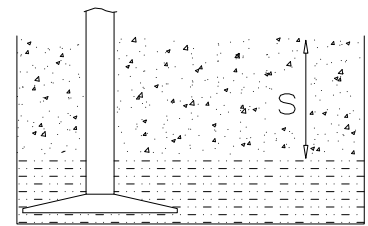


$h = 1600-$

$h < 3000$

Loose fill material

E.g.
sand/gravel 0,25...8 mm $D_{60}/D_{10} < 3,0$
Woodchips 5...30 mm
bark 20...80 mm



\underline{S}
30 cm \underline{h}
 < 3,0 m

Syntethic granulates

\underline{S}	\underline{h}
40 mm	~> 1,6...~< 1,8 m
50 mm	~> 1,8...~< 2,25 m
55 mm	~> 2,25...~< 2,4 m
60 mm	~> 2,4...~< 2,55 m
70 mm	~> 2,55...~< 3,0 m

Note. For accurate values, see manufacturer's instructions.

