

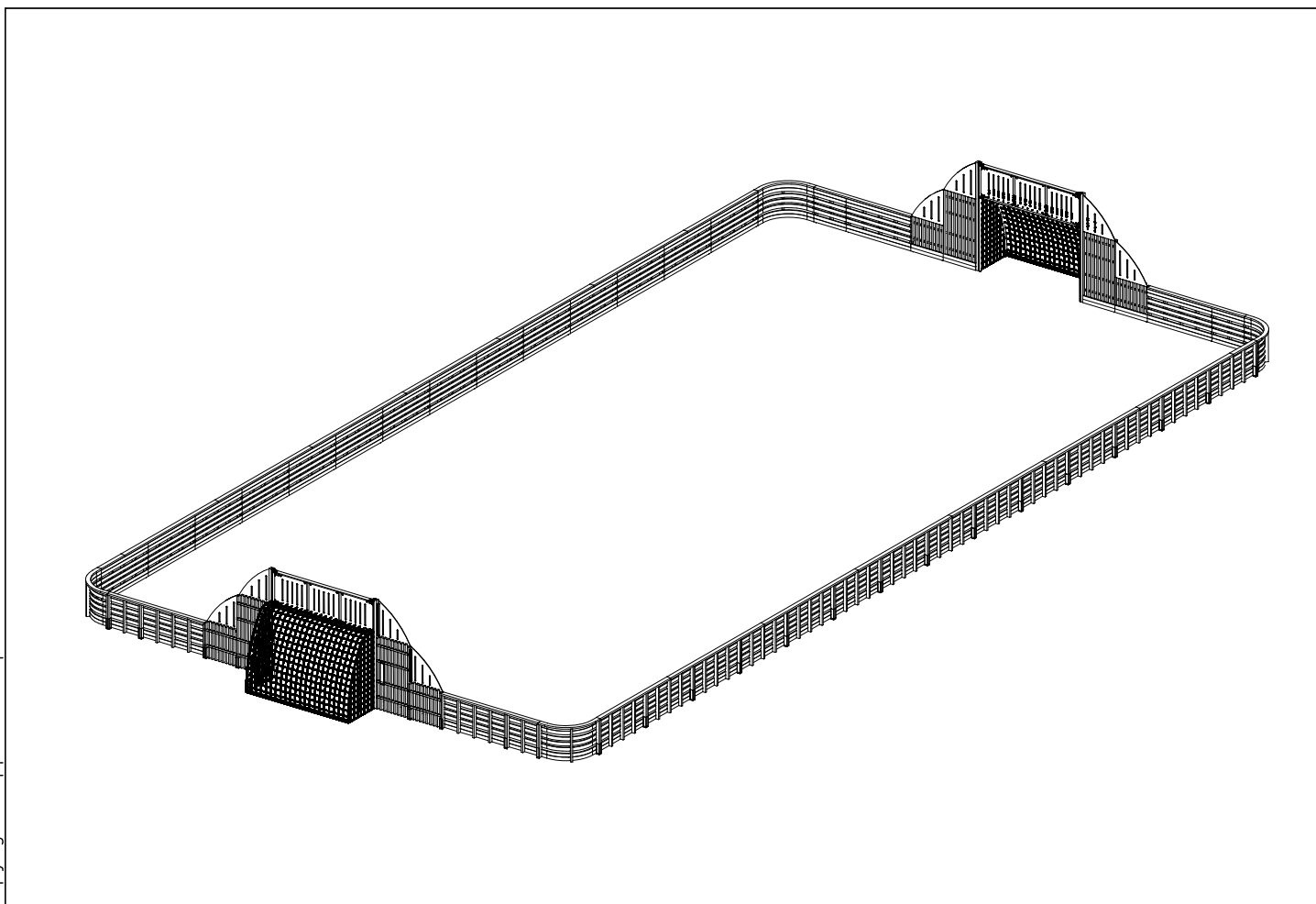
LAPPSET®

AREENA

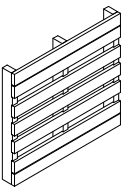
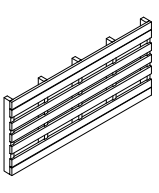
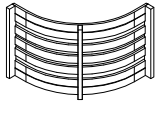
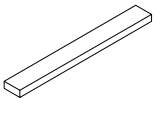
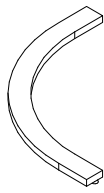
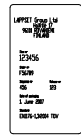
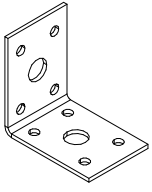
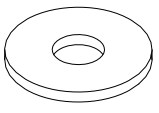

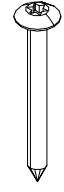
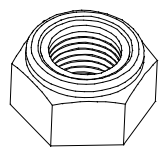
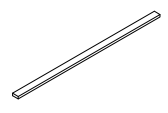
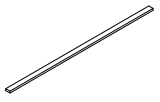
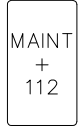
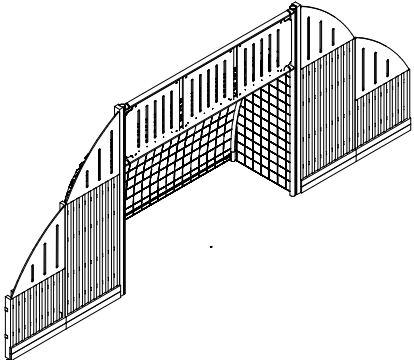
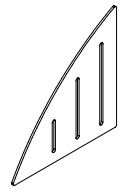
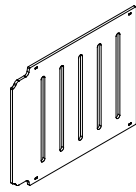
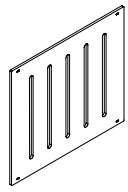
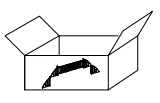

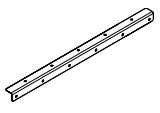
ASENNUSOHJE
MONTERINGSANSVISNING
INSTALLATION INSTRUCTION
AUFBAUANLEITUNG
NOTICE D'INSTALLATION

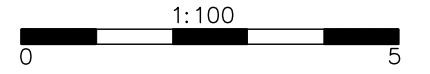
DATE: 1.3.2018

080843M

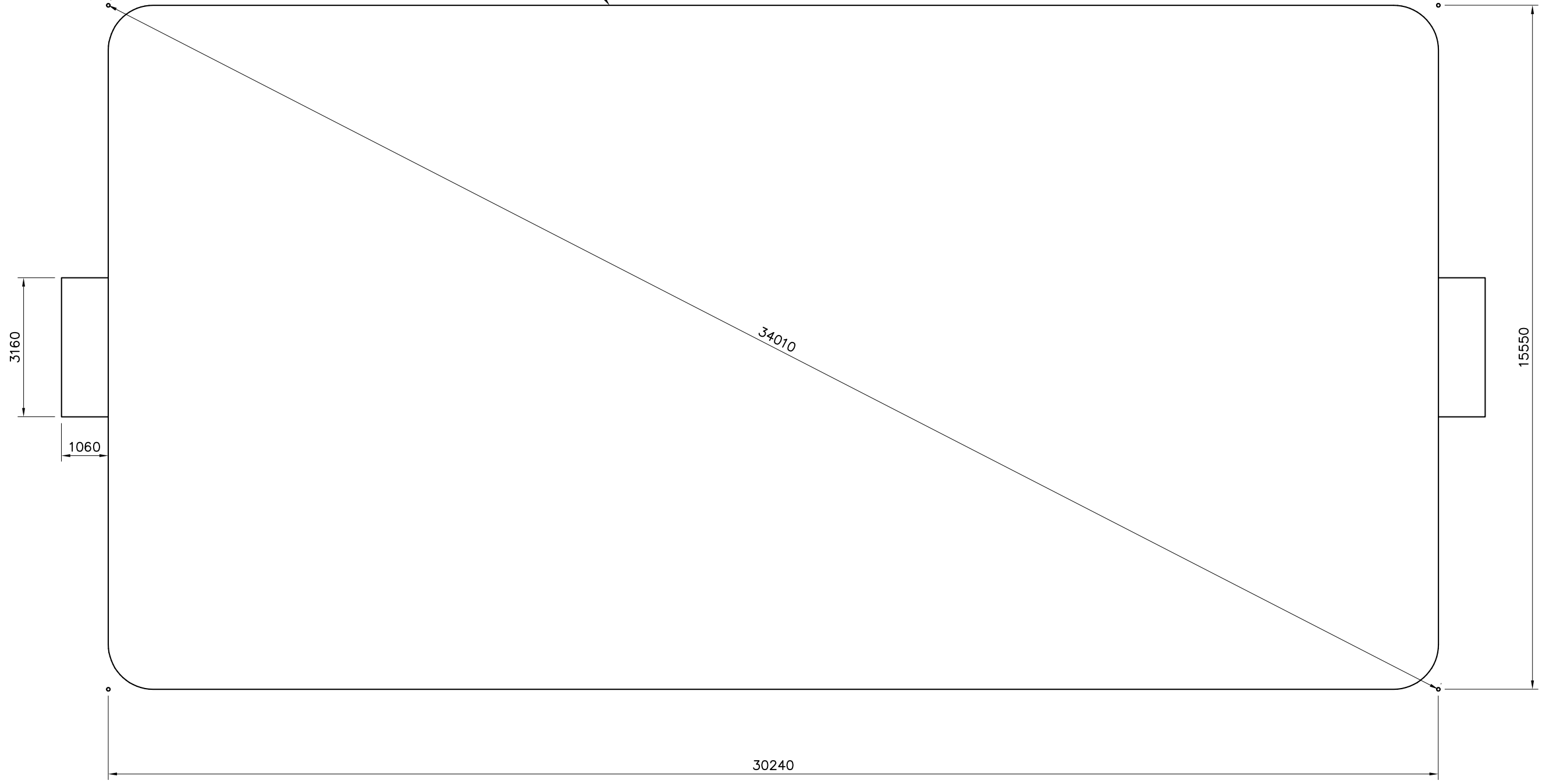


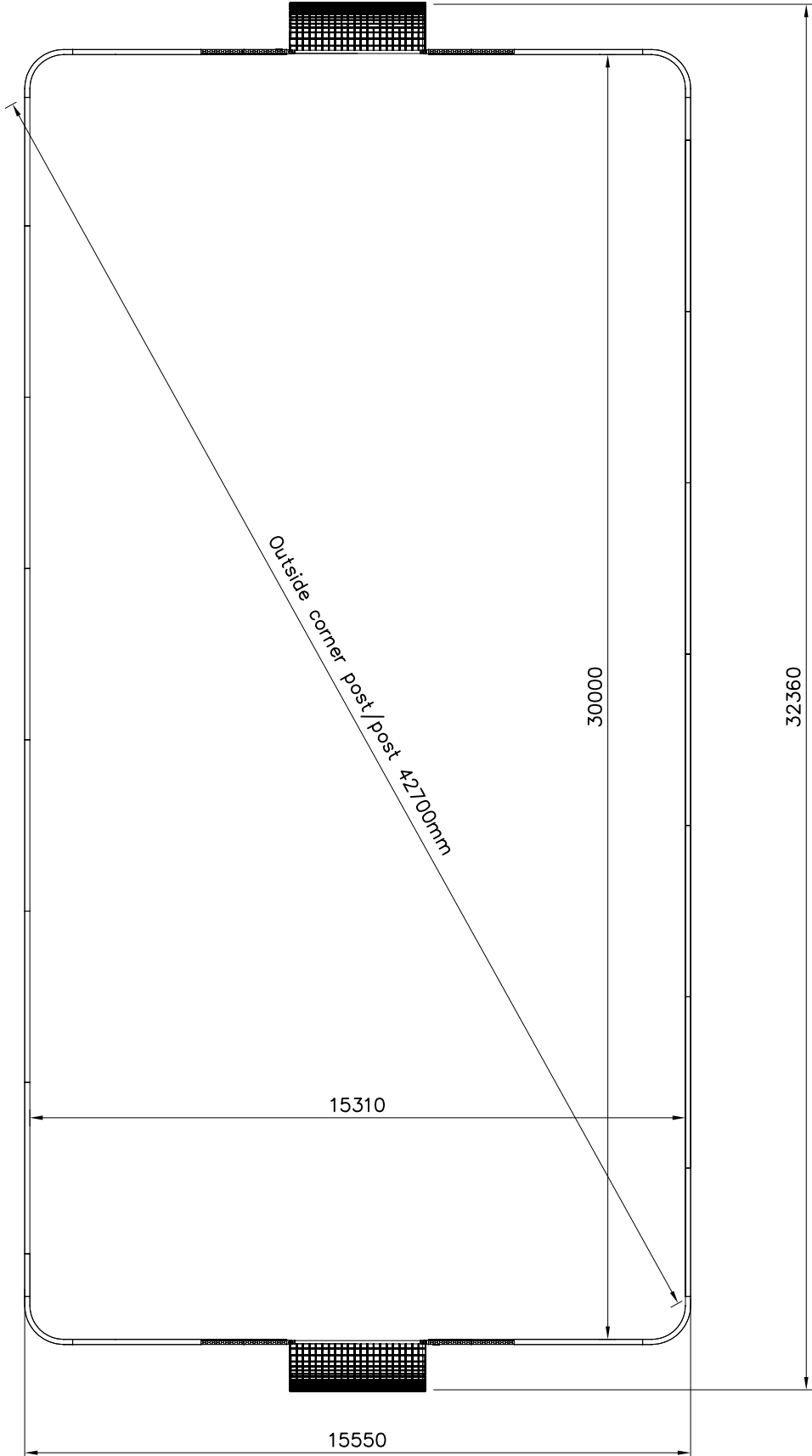
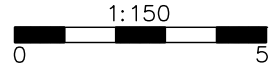
DATE: 1.3.2018

702019  L 1000	PCS 4	702021  L 2000	PCS 32	702038 	PCS 4	702228  L 1000	PCS 2	702248 	PCS 4	702341  90x50	PCS 1
902434 	PCS 100	905051  Ø24/8.4	PCS 264	909203  M8x75	PCS 132	980128  Ø7x40	PCS 200	980150  M8	PCS 132	P01444  L 3000	PCS 6
P01445  L 4000	PCS 12	702634  MAINT + 112 90x50	PCS 1		PCS		PCS		PCS		PCS
708368 			PCS 2	704250  990x980x15	PCS 8	707204  15x814x992	PCS 4	707208  15x814x925	PCS 2	708369  	PCS 2
	PCS		PCS	904900  45x45x3x875	PCS 8		PCS		PCS		PCS
	PCS		PCS		PCS		PCS		PCS		PCS

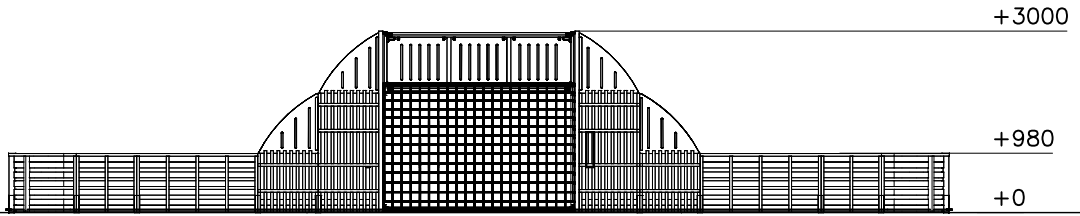


OUTER EDGE OF THE WALL'S VERTICAL BAR.



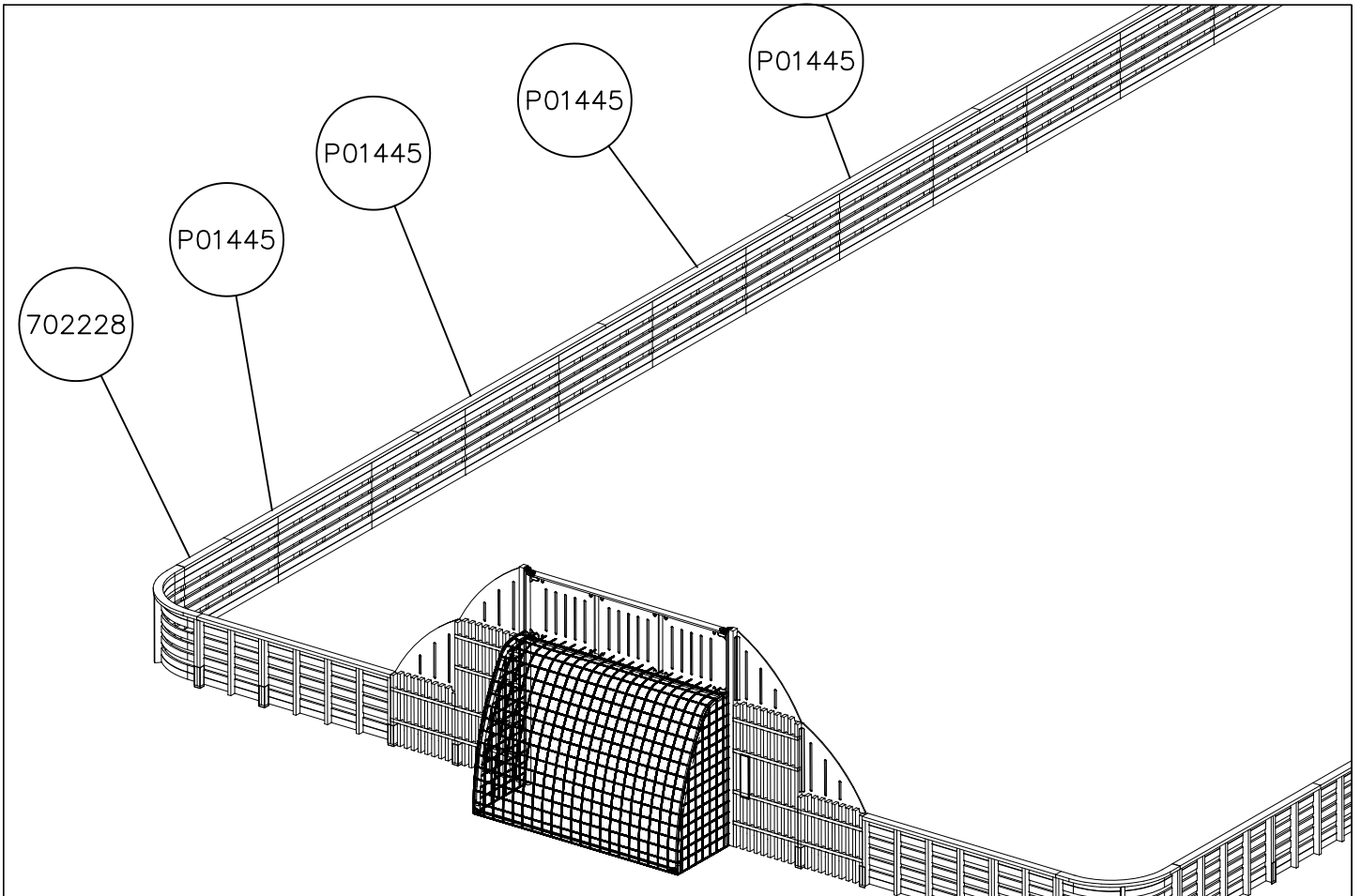
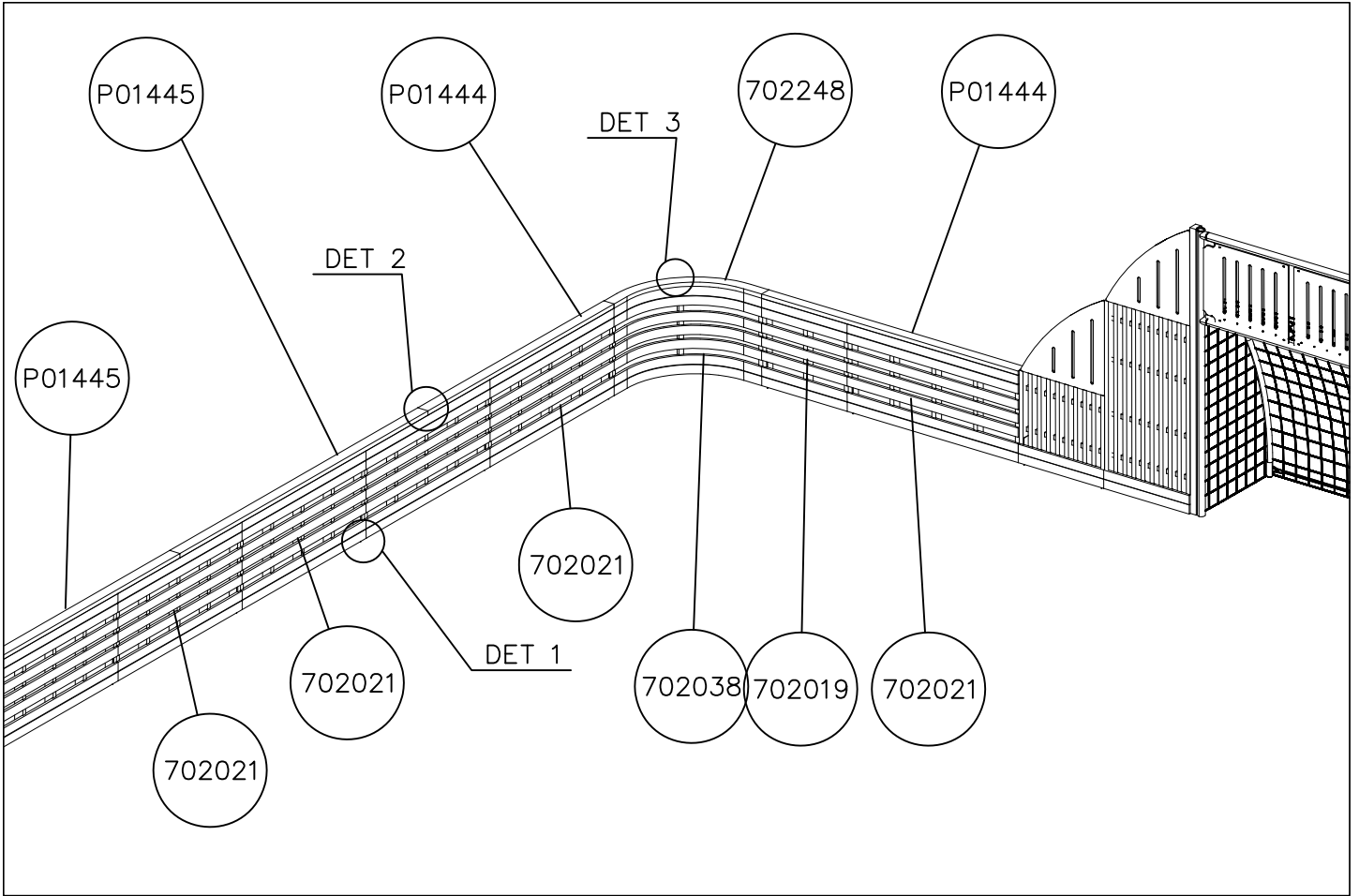


1:125

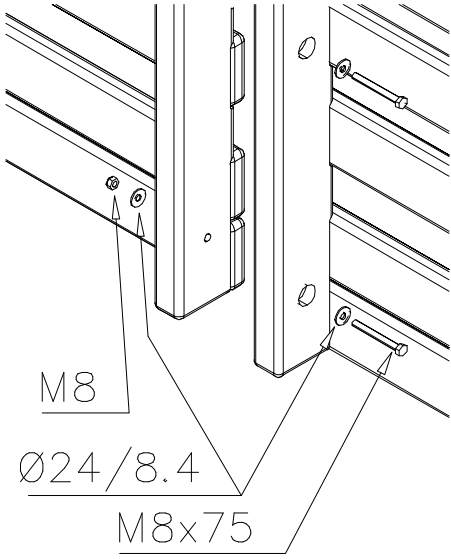


1:200

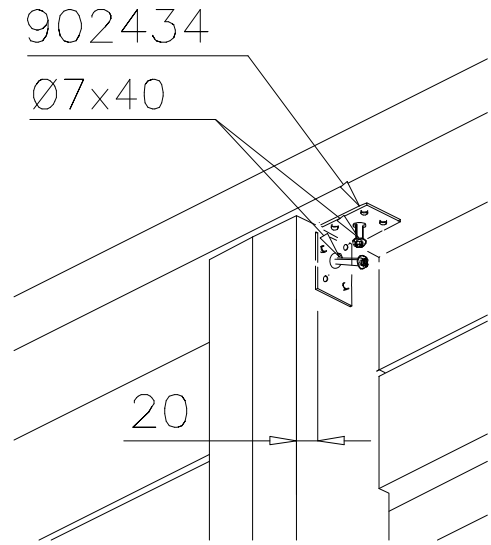




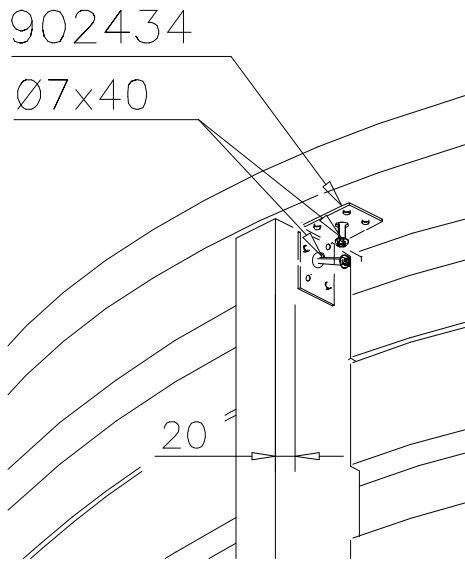
DET 1

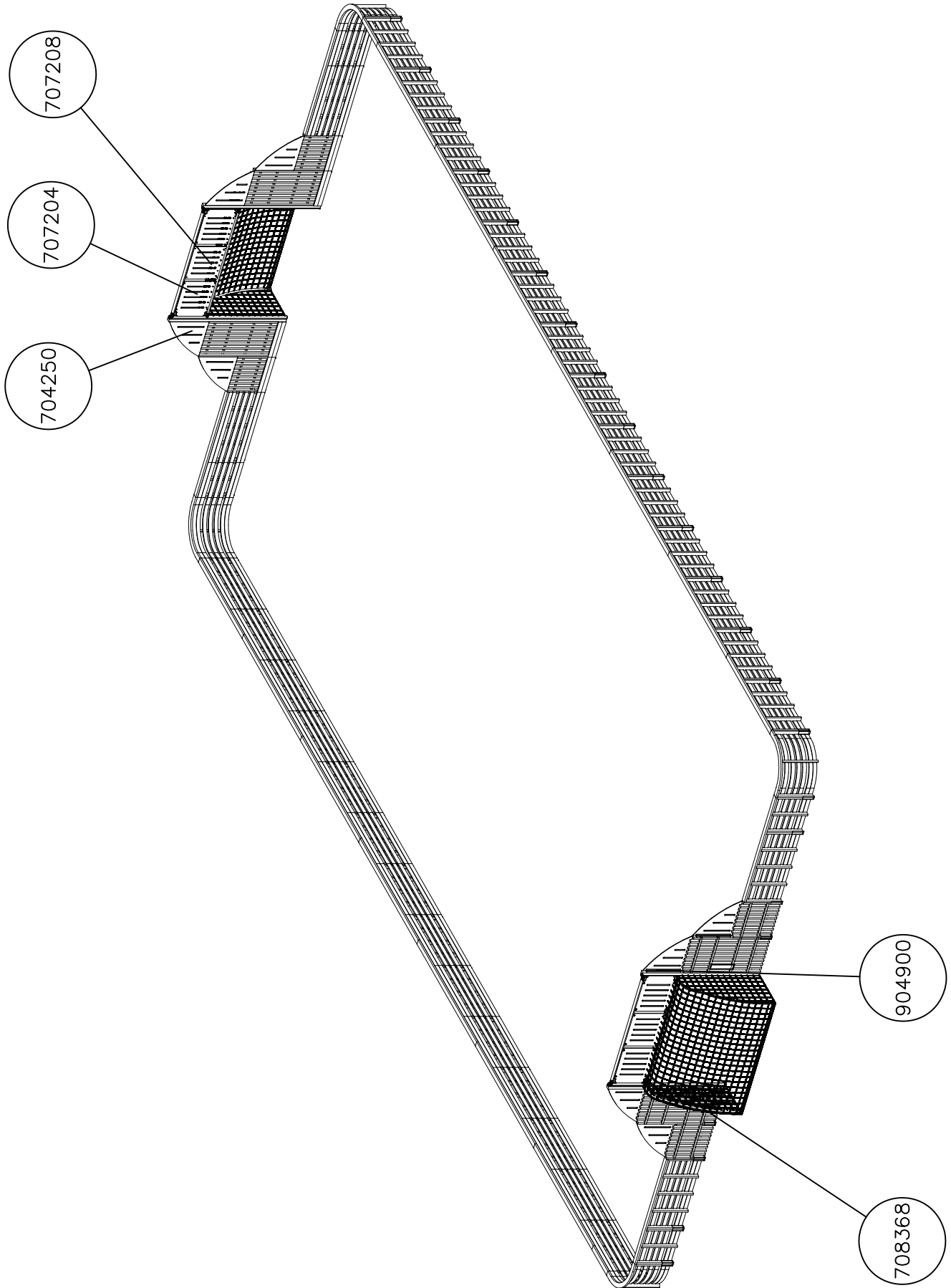


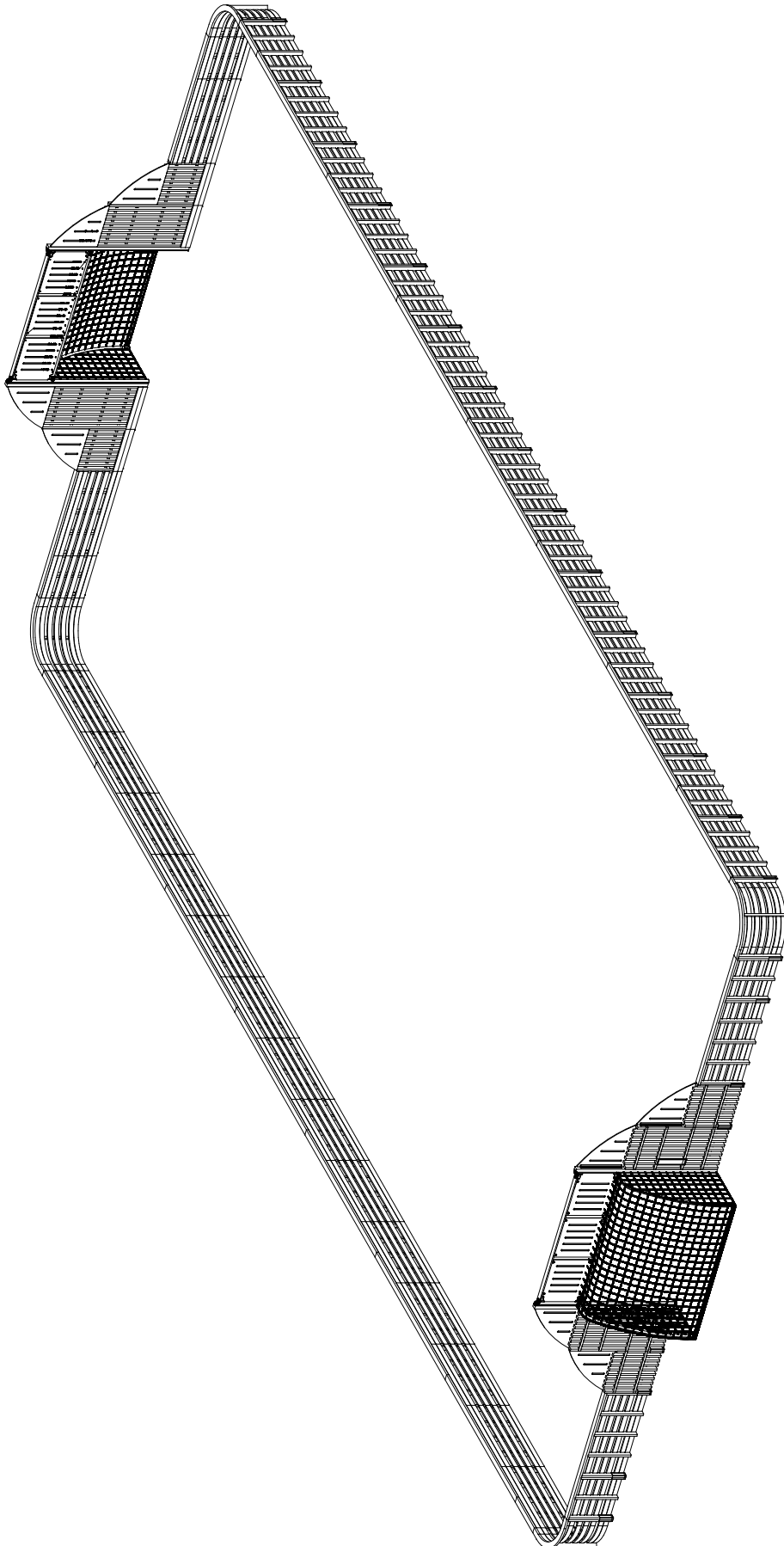
DET 2



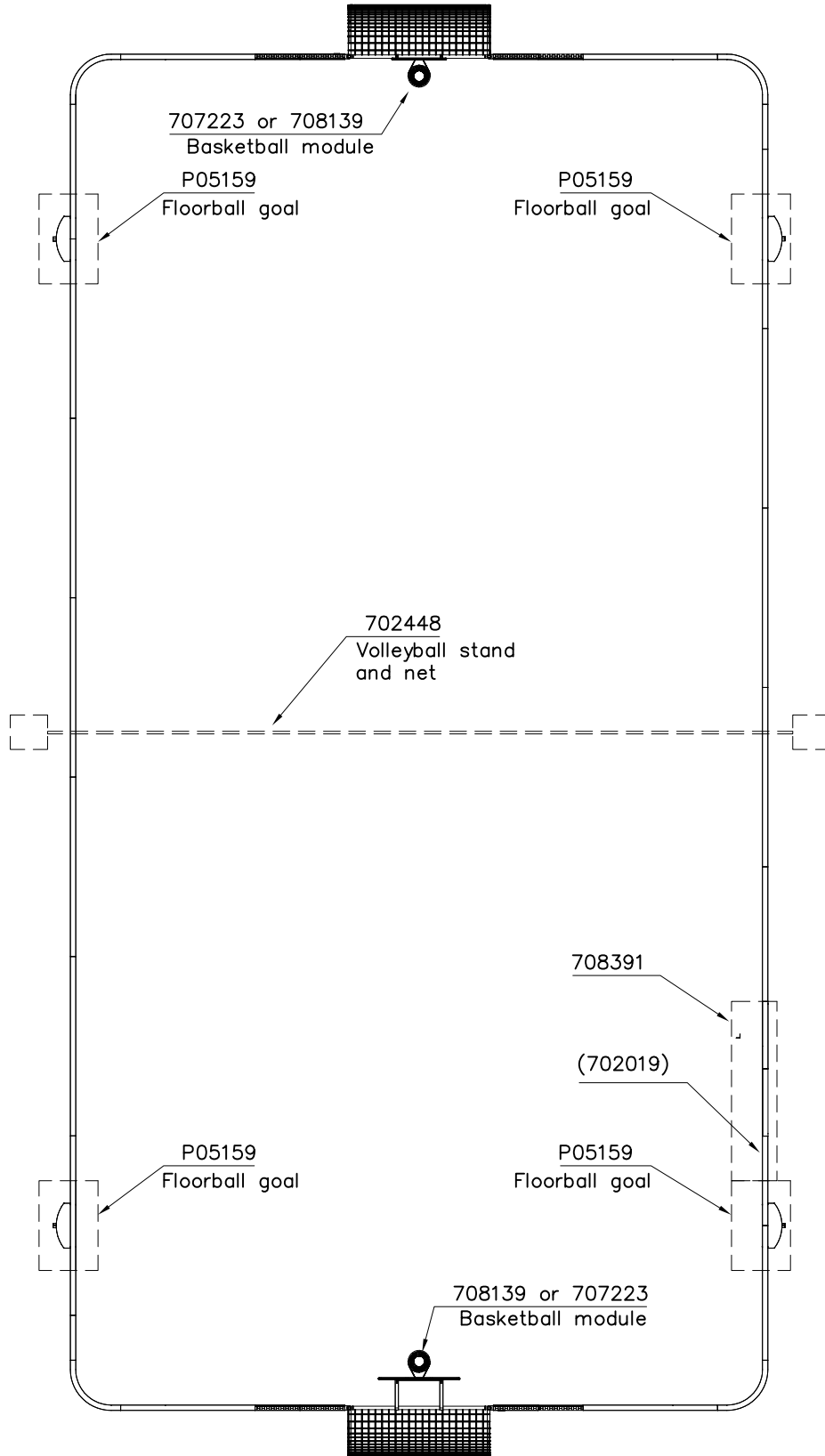
DET 3







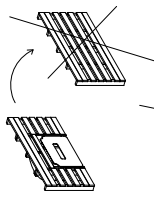
RECOMMENDED LOCATIONS FOR OPTIONS AND ACCESSORIES !
SUOSITELLUT PAIKAT OPTIOILLE JA LISÄOSILLE !



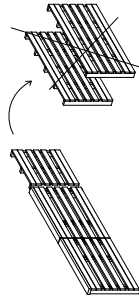
WHEN INSTALLING

(Already installed arena, remove next parts)
(New arena, extra parts are included,
instead of basic parts)

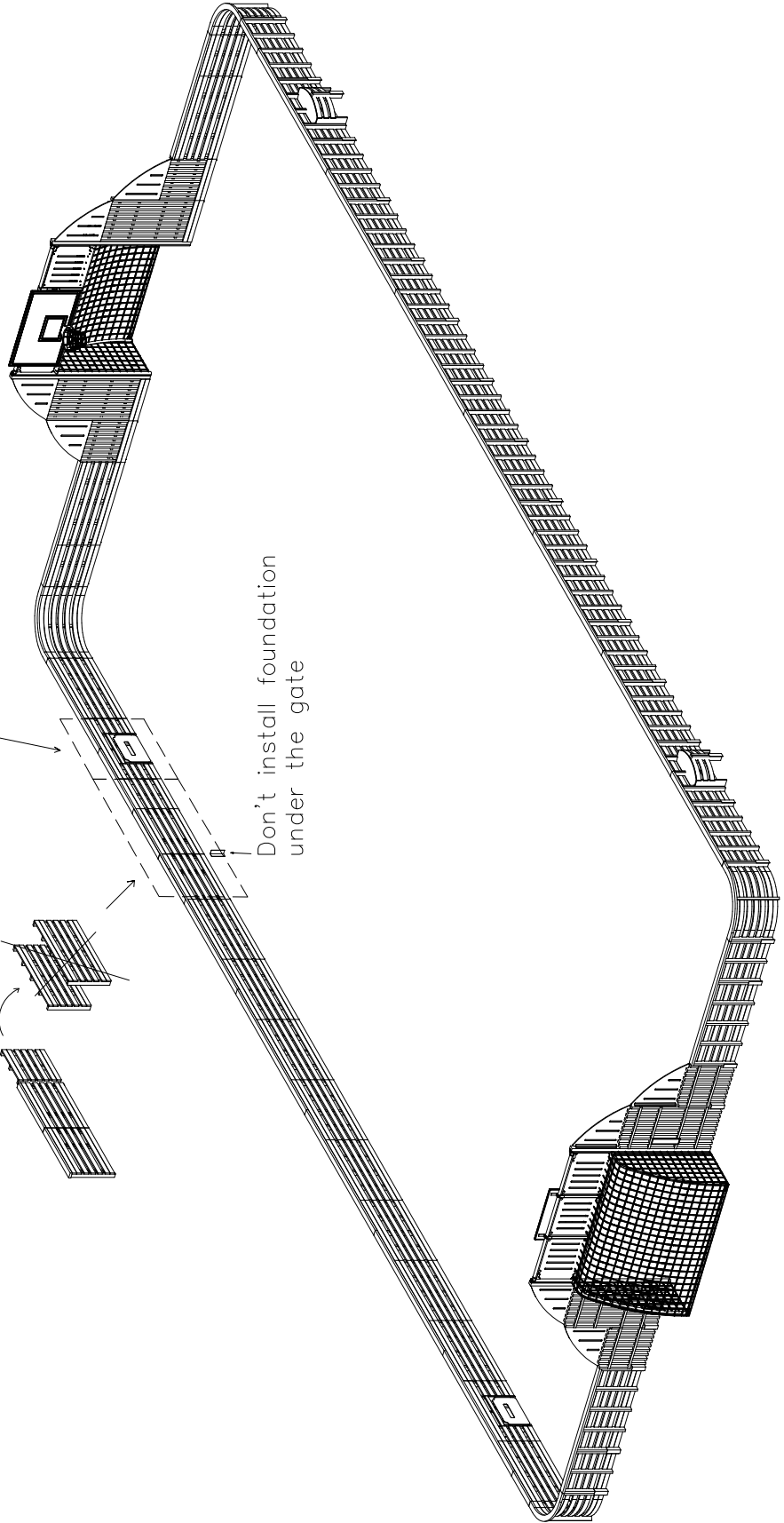
When installing goal P05159
remove wall 702021 (1x)



When installing gate 708391 remove wall
702021(2x) and install gate and wall 702019
(1x)



Don't install foundation
under the gate



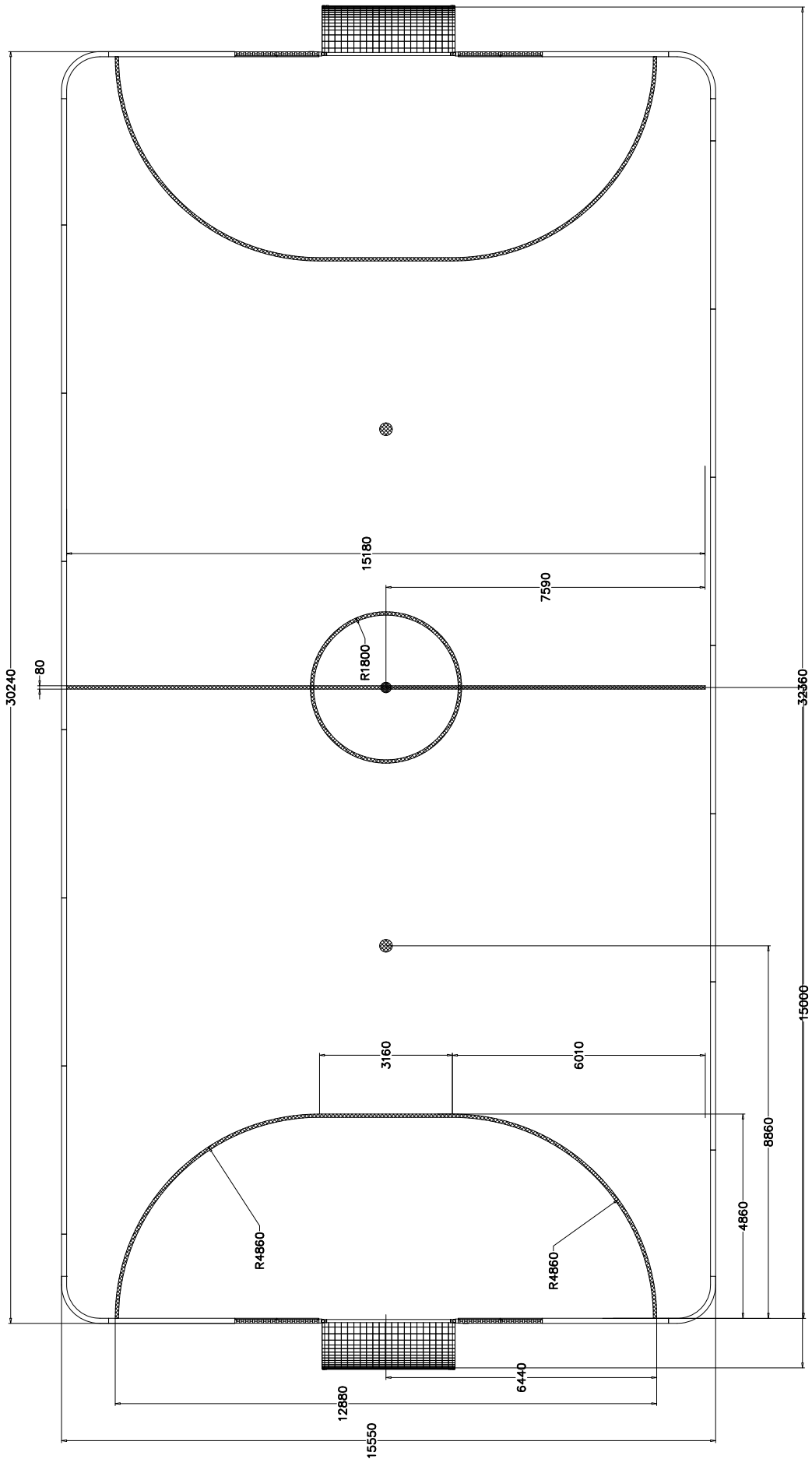
SCALE
1:140

Pelimerkinnot on
Sovellettu ja
suhteutettu.
Boundary lines
are applied.

Rajaviivat:
63.5 jm + hukka% (5%)
= ~67 jm.

LAPPSET, 080843M

FUTSAL



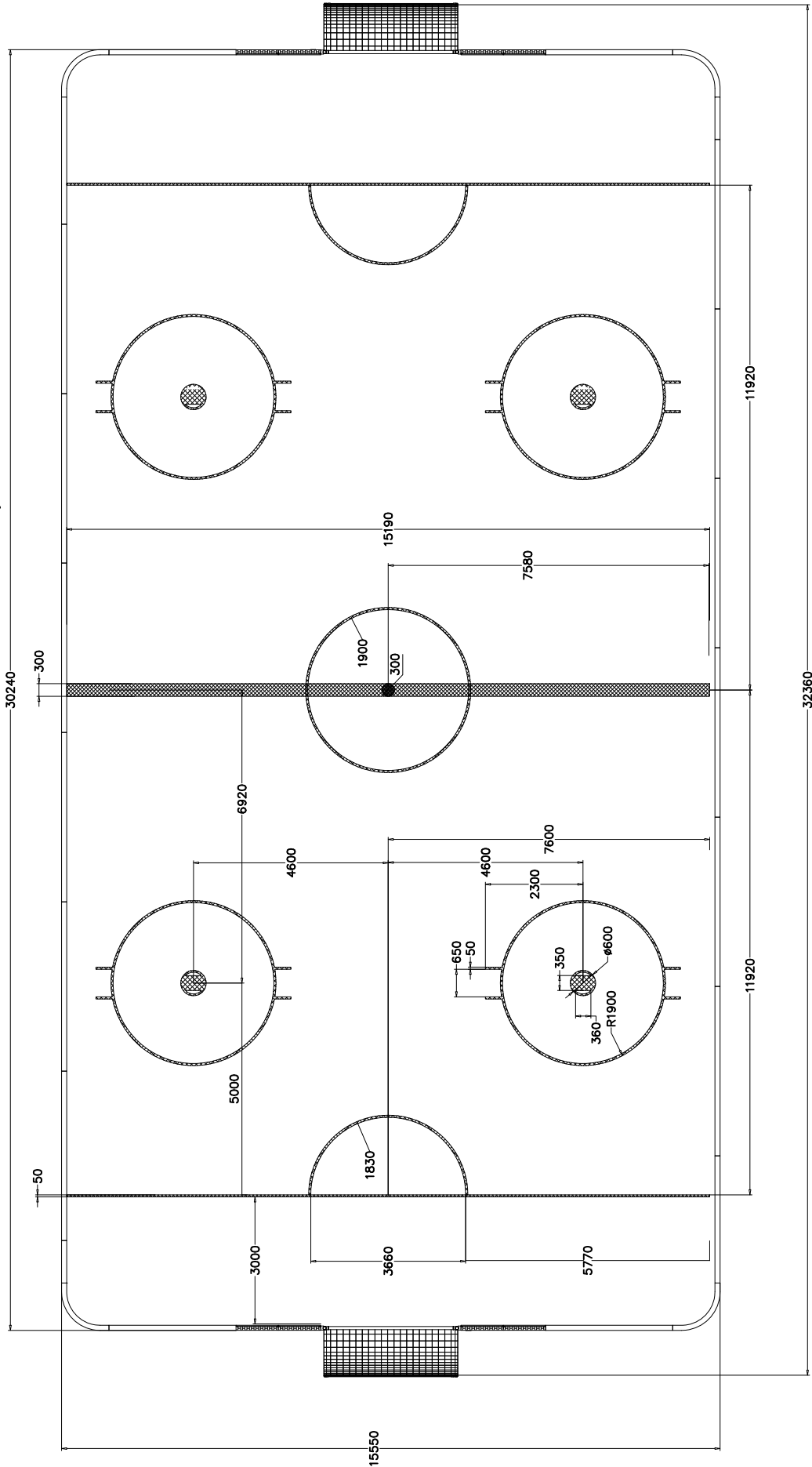
SCALE
1:140

Pelimerkinnät on
Sovellettu ja
suhteutettu.
Boundary lines
are applicable.

Rajaviivat:
Leveys 50 mm.
80 jm + hukka% (5%)
= ~84 jm
Leveys 300 mm
15,5 jm + hukka% (5%)
= ~16,5 jm.

LAPPSET, 080843M

INLINE HOCKEY



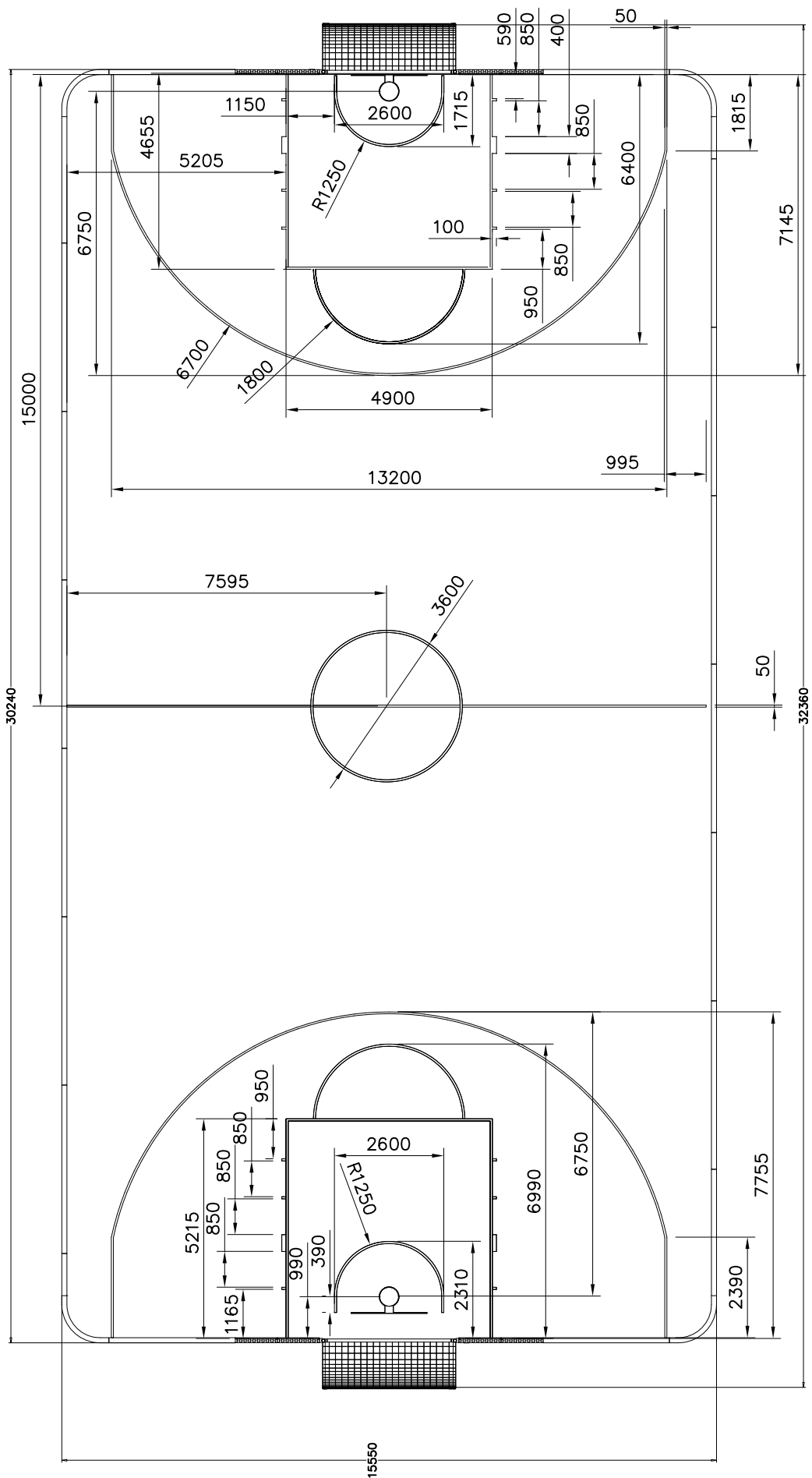
SCALE
1:140

Pelimerkinnot on
Sovellettu ja
suhteutettu.
Boundary lines
are applicated.

Rajaviivat:
133.5 jm + hukka% (5%)
= ~140.2 jm

LAPPSET, 080843M

BASKETBALL



When using basketball
rack 708139

When using basketball
rack 707223

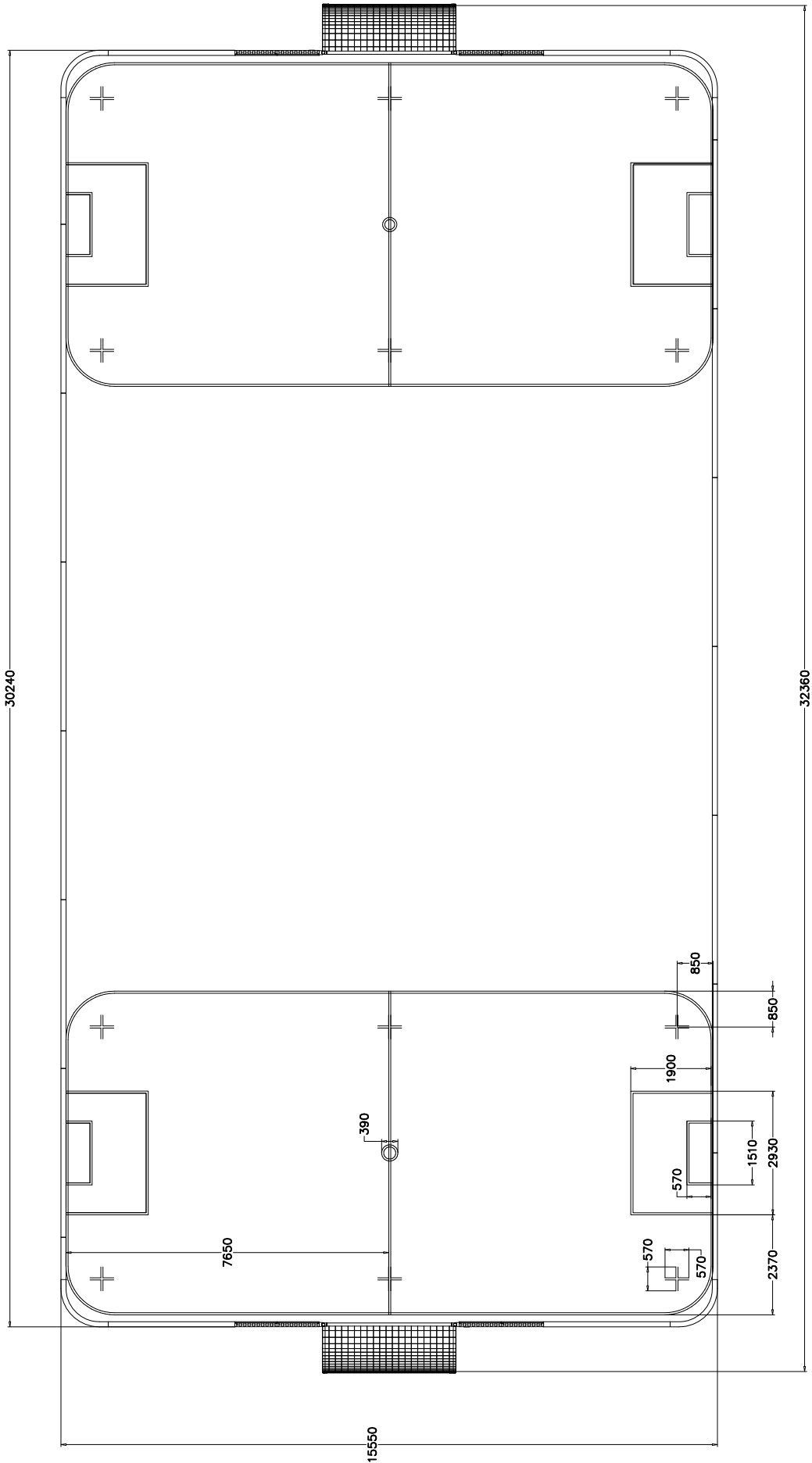
SCALE
 1:140

Pelimerkinnät on
 Sovellettu ja
 suhteutettu.
 Boundary lines
 are applicated.

Rajaviivat:
 79 jm + hukka% (5%) =
 ~83 jm x2 = ~166 jm

LAPPSET, 080843M

FLOORBALL





Tuotekyltti tulee tuotteen mukana yhdellä seuraavista tavoista:

1) Metallinen tuotekyltti ja kiinnitysruuvit

- Kiinnitä tuotekyltti ruuveilla tolppaan noin 2 metrin korkeuteen kuvan 1 mukaisesti.

2) Tuotekylttitarra

- Puhdista maalattu metalli- tai vaneripinta pölystä ja kosteudesta. Liimaa tarra kuvan 2 mukaisesti.
- Huom. Älä kiinnitä tarraa karheapintaiseen laminaattiin tai maalattuun puuhun.

Vår produktmärkning levereras på ett av följande sätt:

1) Produktskylt i metall

- Fäst skylten med de medföljande skruvarna

2) Självhäftande produktetikett

- Rengör den pulverlackerade metallytan eller laminatyten så att den blir fri från smuts och fukt. Fäst etiketten enligt fig. 2.
- Obs! Fäst ej etiketten på detaljer med skrovlig yta eller på målat trä.

Product label is delivered by one of following ways:

1) Metal product label and screws

- Fasten the label with screws.

2) Label sticker

- Clean the painted metal or plywood surface from dirt and moisture. Fasten the sticker as shown in the figure 2.
- Note. Do not attach the sticker to rough surfaced laminate or painted wood.

La plaque d'informations produit est livrée sous l'une de ces 3 formes :

1) Plaque métallique et vis

- Fixez la plaque à l'aide des vis.

2) Etiquette autocollante

- Avant de coller l'étiquette, nettoyez le composant métallique peint ou la plaque de contreplaqué, de toute saleté. La surface doit être sèche (voir image 2).
- Attention, ne pas coller l'étiquette sur une surface lamellé-collée irrégulière ou sur du bois peint.

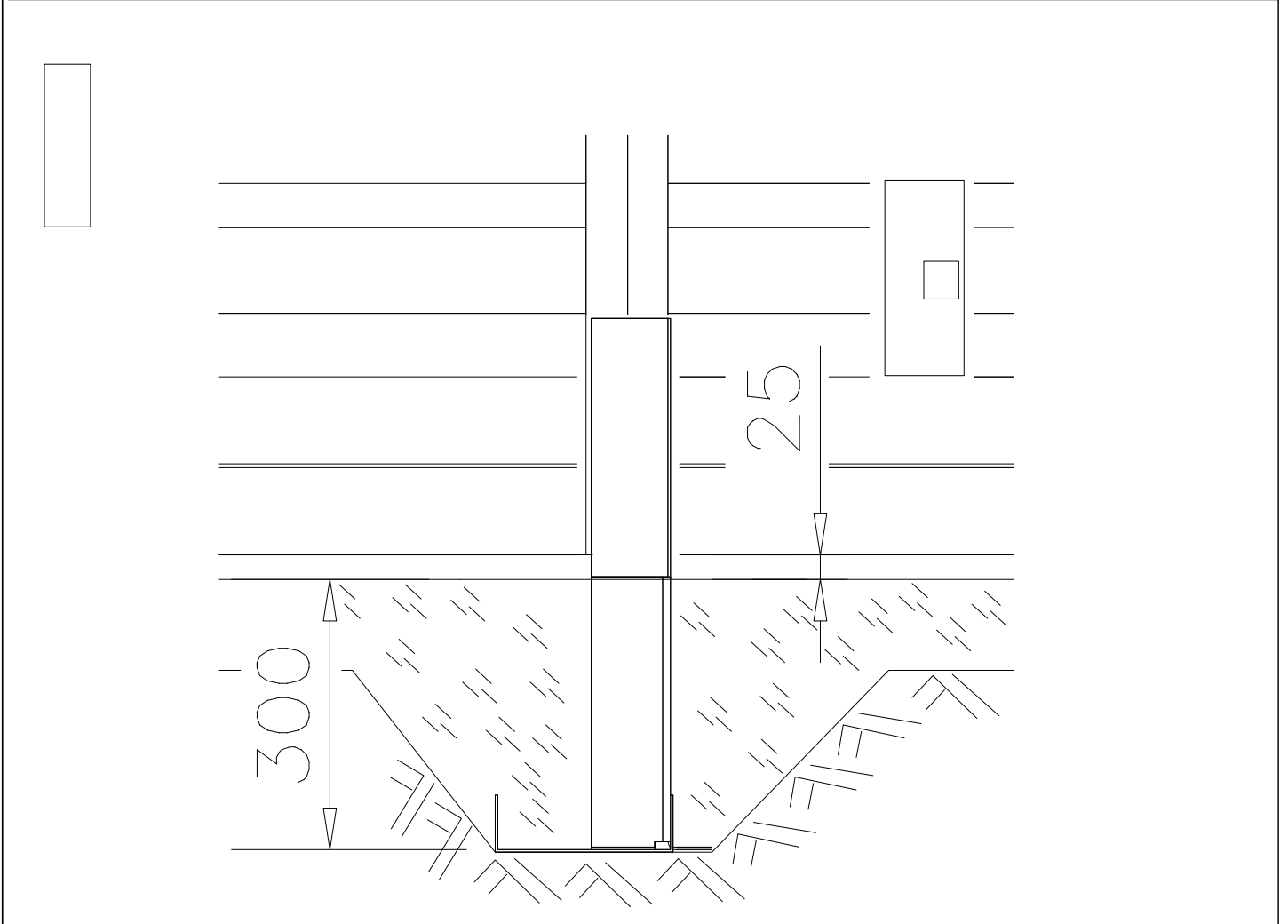
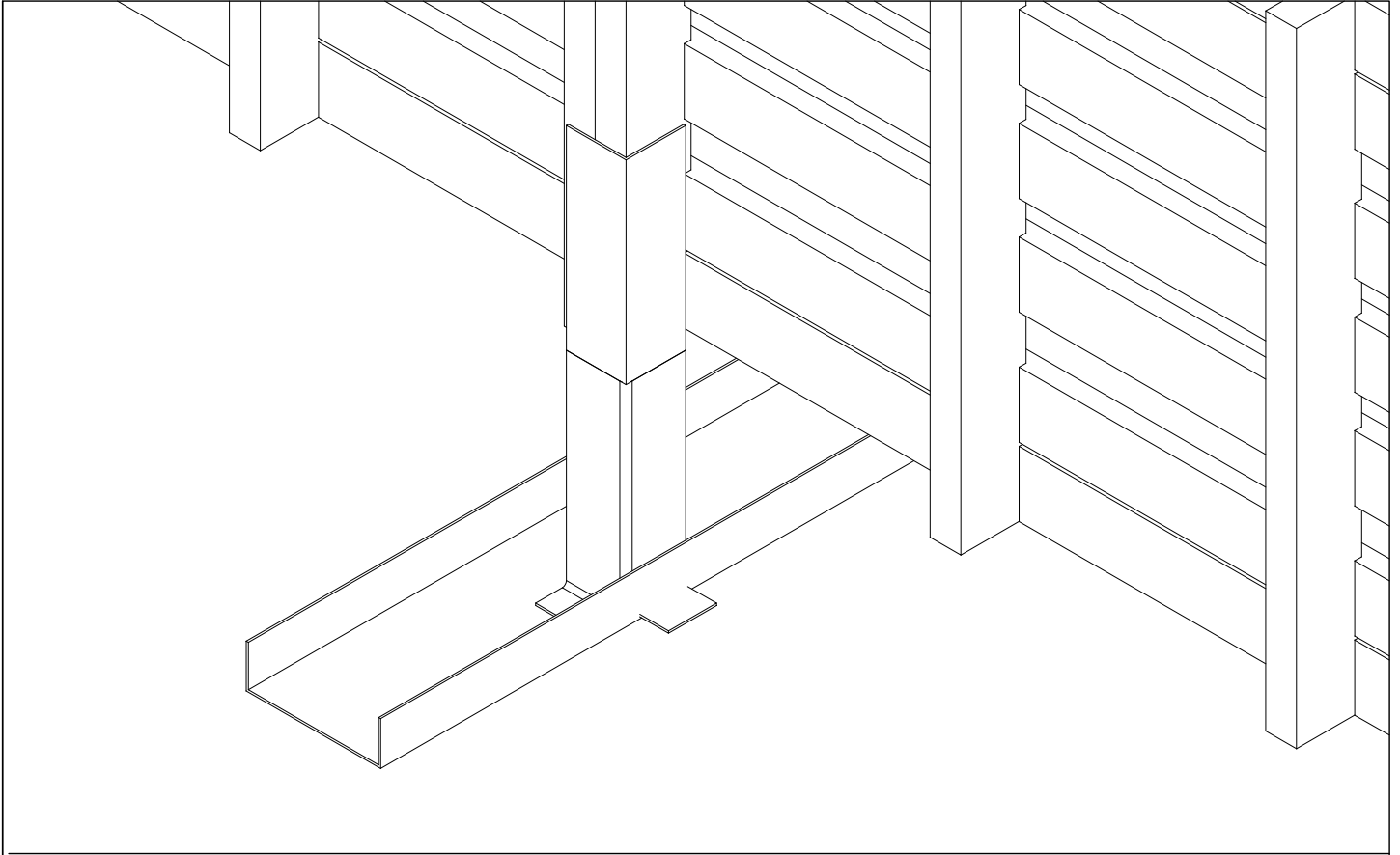
Die Auslieferung des Produktaufklebers erfolgt auf eine dieser Arten:

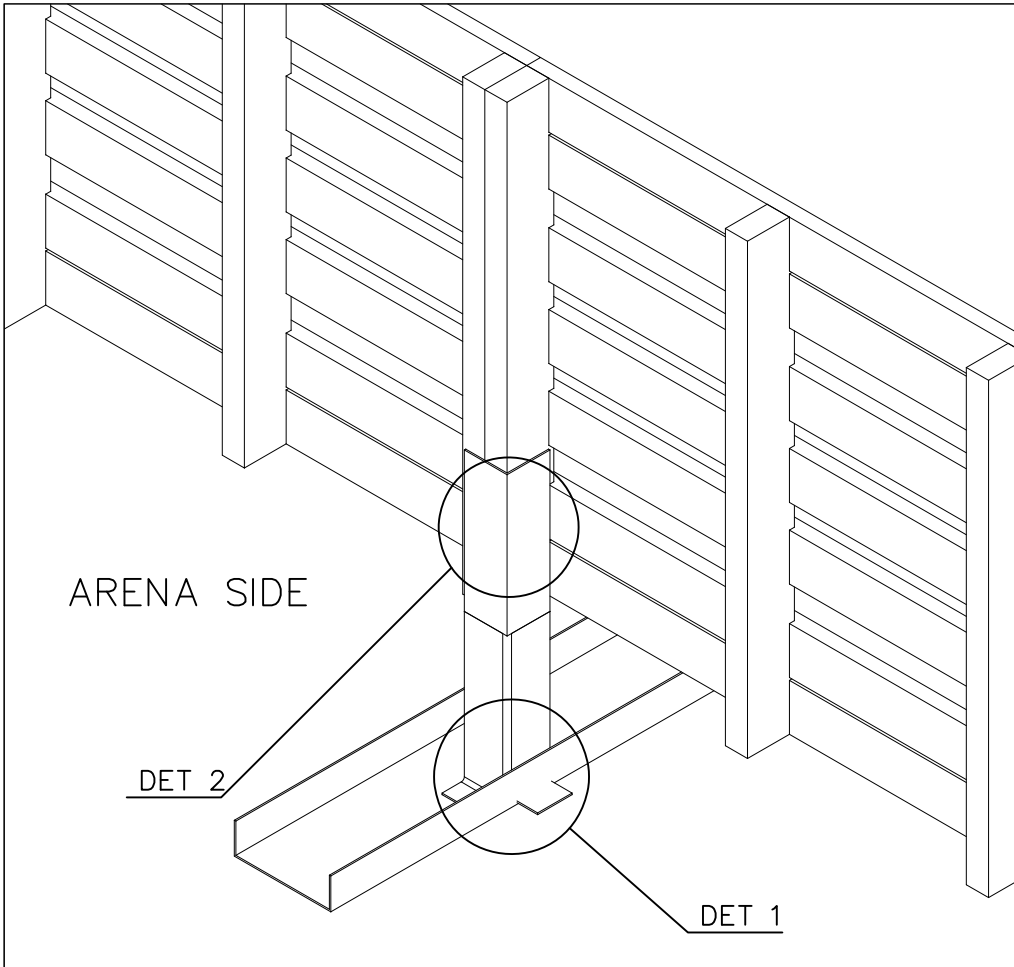
1) Produkt-Schild aus Metall incl. Schrauben


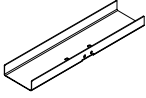
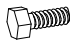


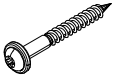
- Die Befestigung des Schildes erfolgt mittels der Schrauben.

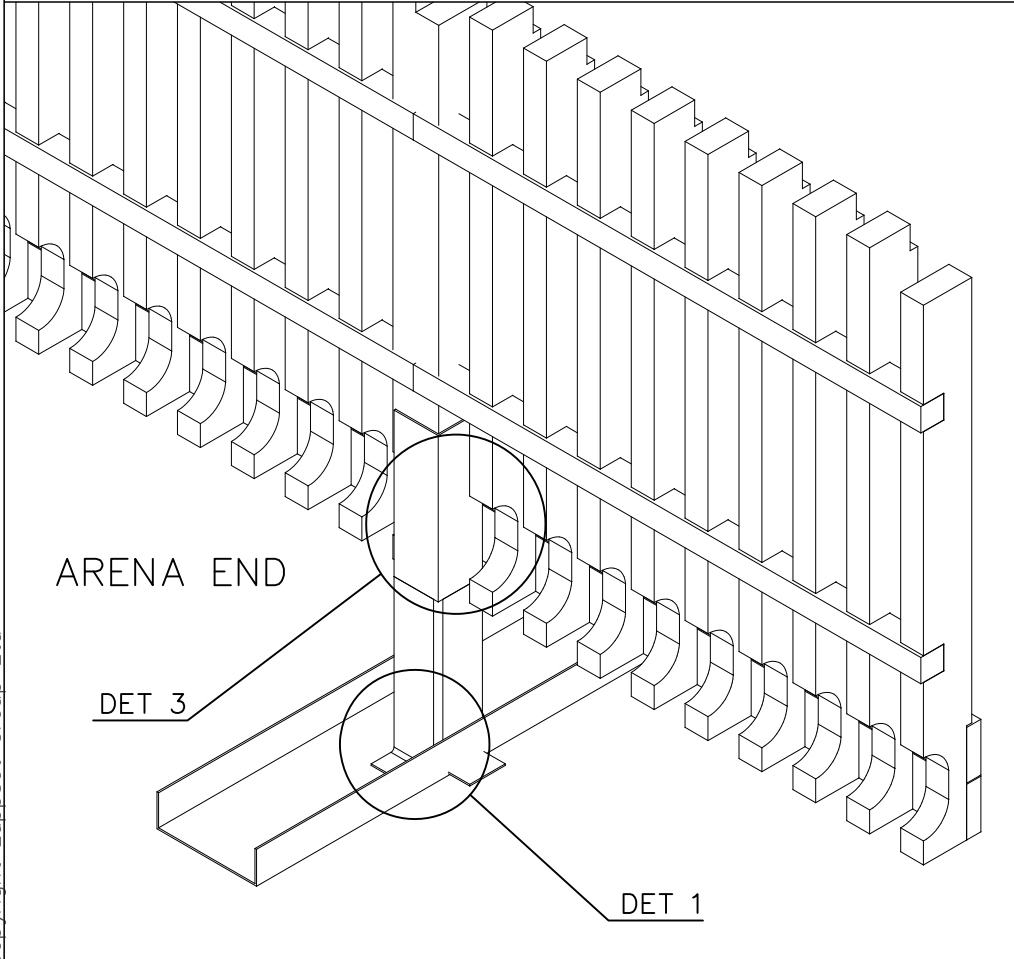
2) Aufkleber

- Entfernen Sie zunächst Schmutz und Feuchtigkeit vom lackierten Metall bzw. von der Holzoberfläche und bringen Sie den Aufkleber wie im Bild oben rechts beschrieben auf den gesäuberten Untergrund auf.
- Beachten Sie: Bringen Sie den Aufkleber nicht auf raues laminiertes oder lackiertes Holz an.

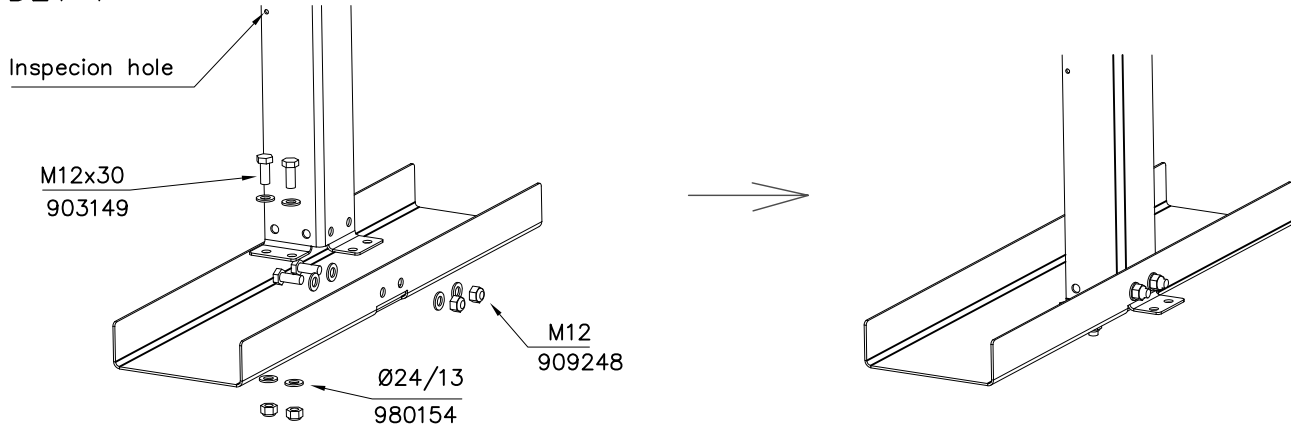




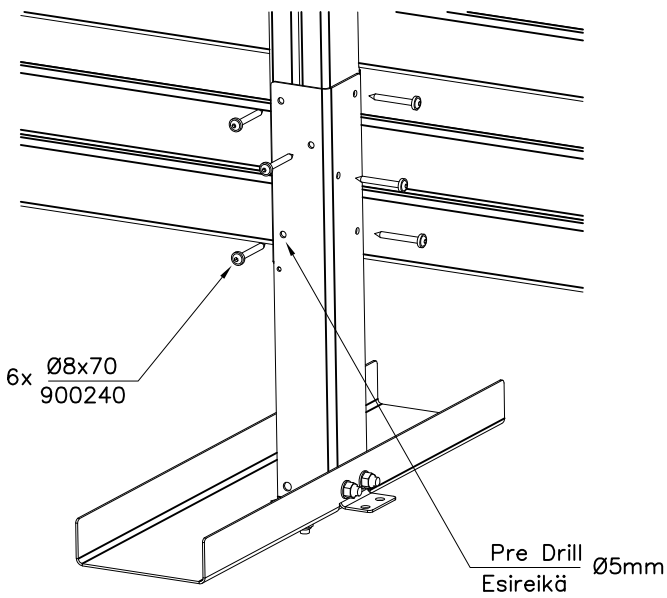
① 902433	PCS	② 902299	PCS
	1		1
③ 903149	PCS	④ 909248	PCS
	4		4
M12x30		M12	
⑤ 980154	PCS	⑥ 900240	PCS
	8		6
Ø24/13		Ø8x70	
	PCS		PCS



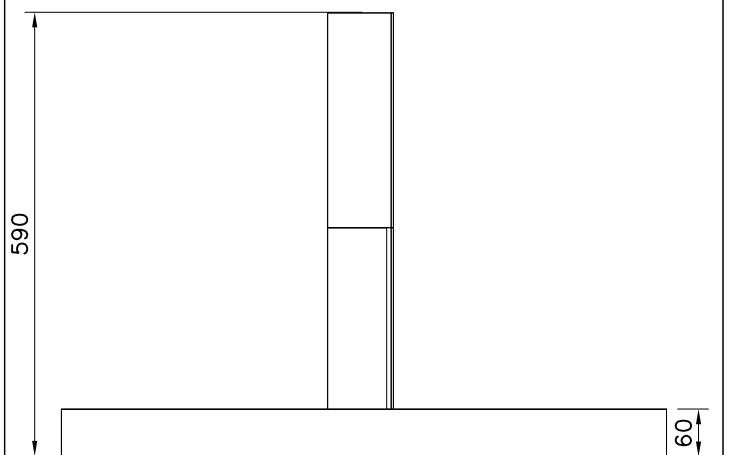
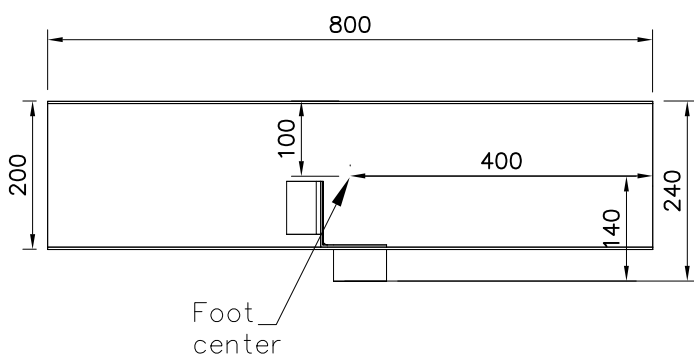
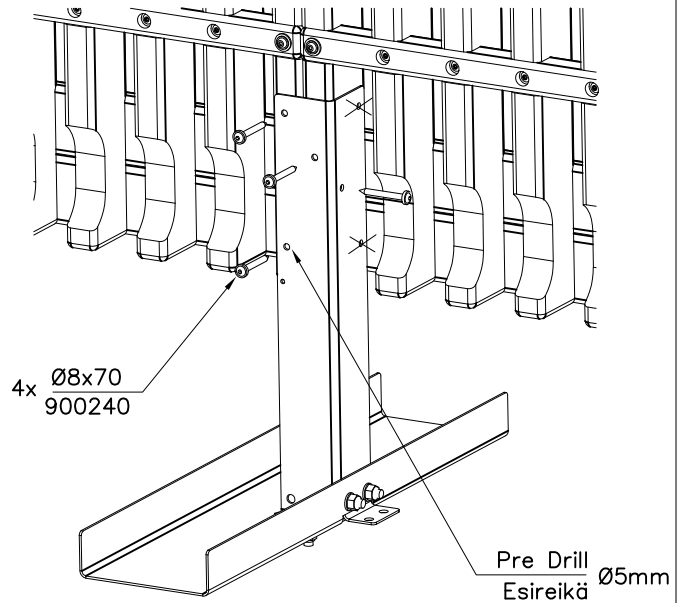
DET 1

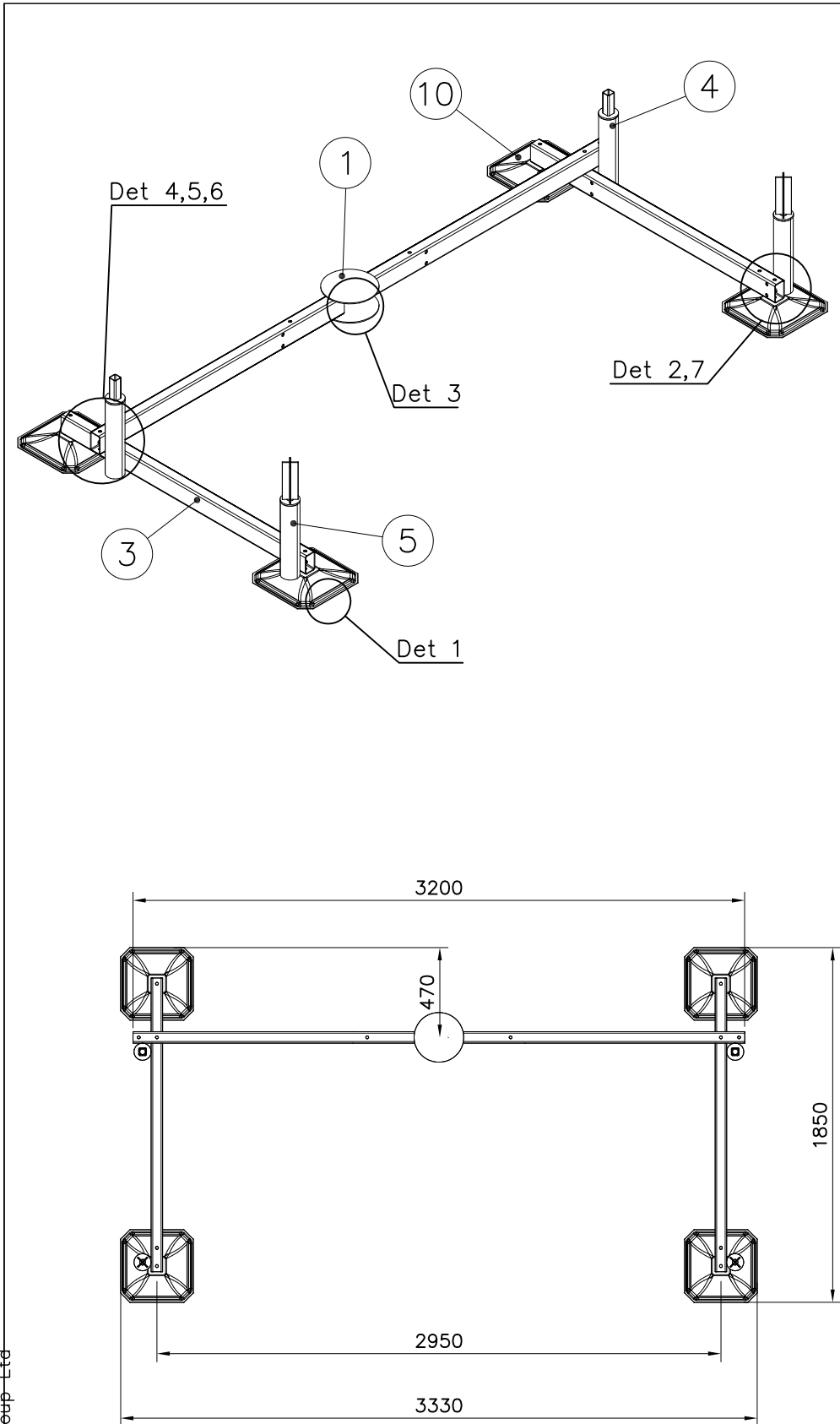


DET 2 ARENA SIDE



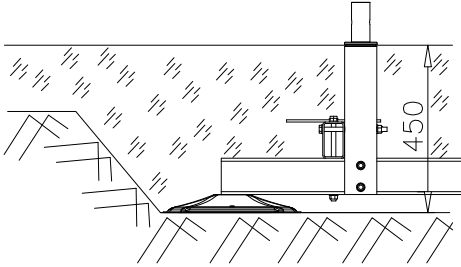
DET 3 ARENA END



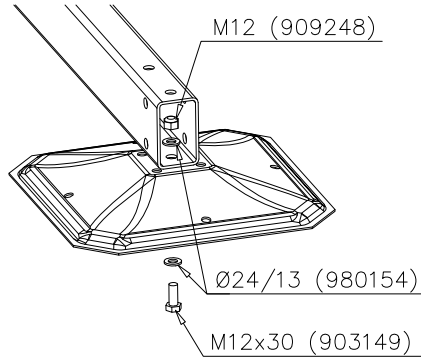


① 900844	PCS	② 903149	PCS
	2		4
Ø260x5		M12x30	
③ 904918	PCS	④ 904919	PCS
	4		2
1535x100x60x4		Ø88.9x530	
⑤ 908086	PCS	⑥ 909136	PCS
	2		10
Ø88.9x610		M12x180	
⑦ 909139	PCS	⑧ 909144	PCS
	2		2
M12x130		M12x220	
⑨ 909248	PCS	⑩ 909519	PCS
	18		4
M12		50x380x380	
⑪ 980154	PCS		PCS
	36		
Ø24/13			
	PCS		PCS
	PCS		PCS

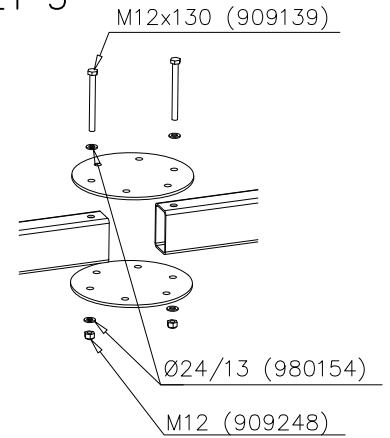
DET 1



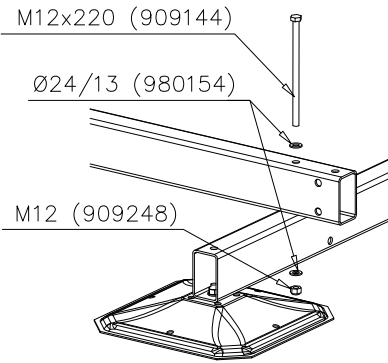
DET 2



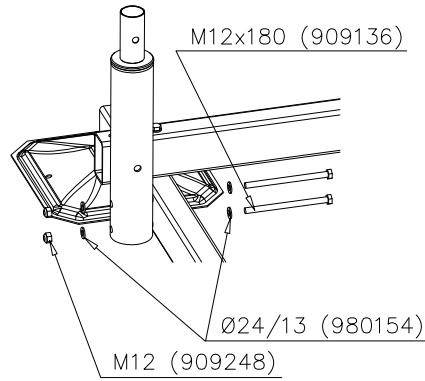
DET 3



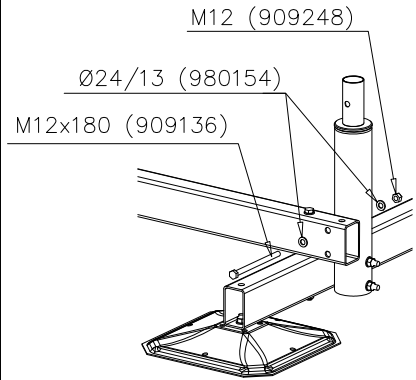
DET 4



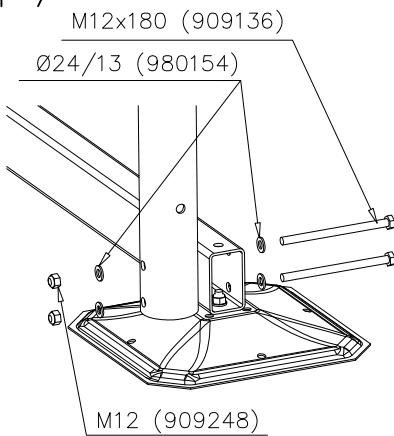
DET 5

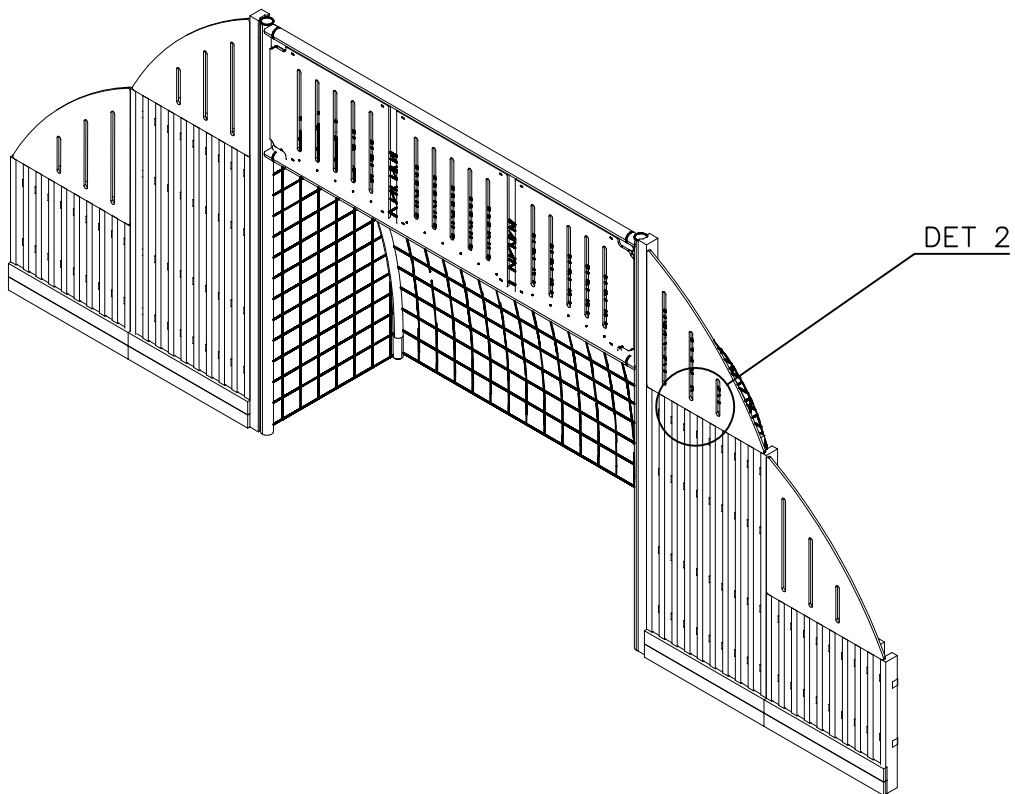
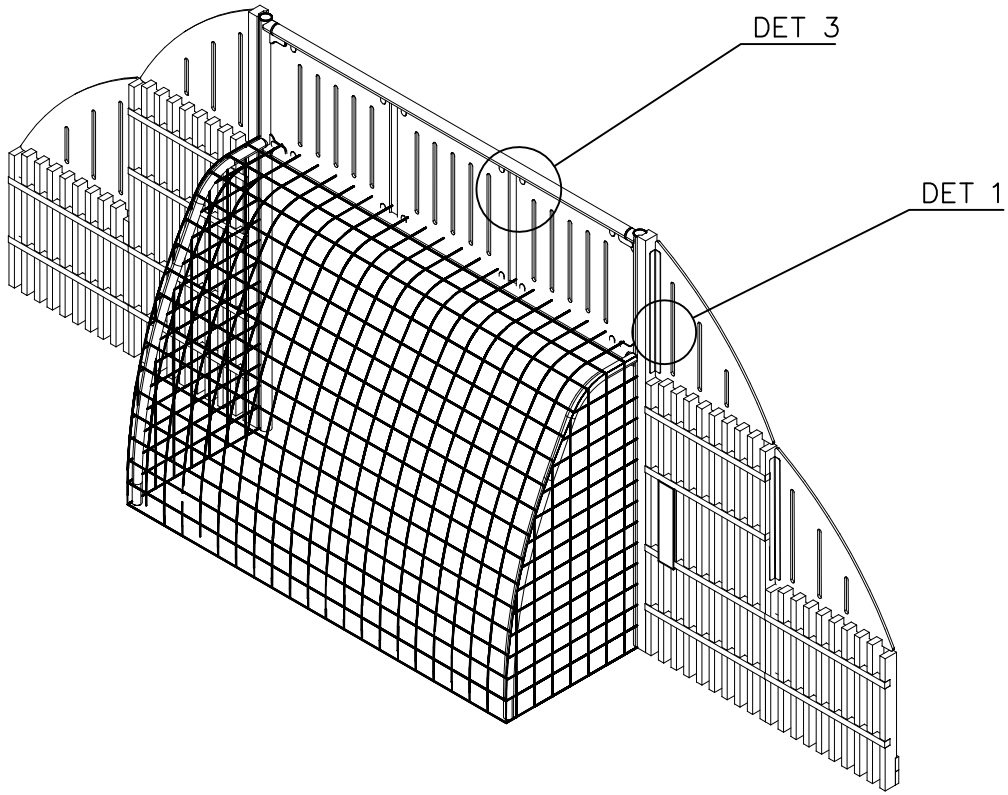


DET 6

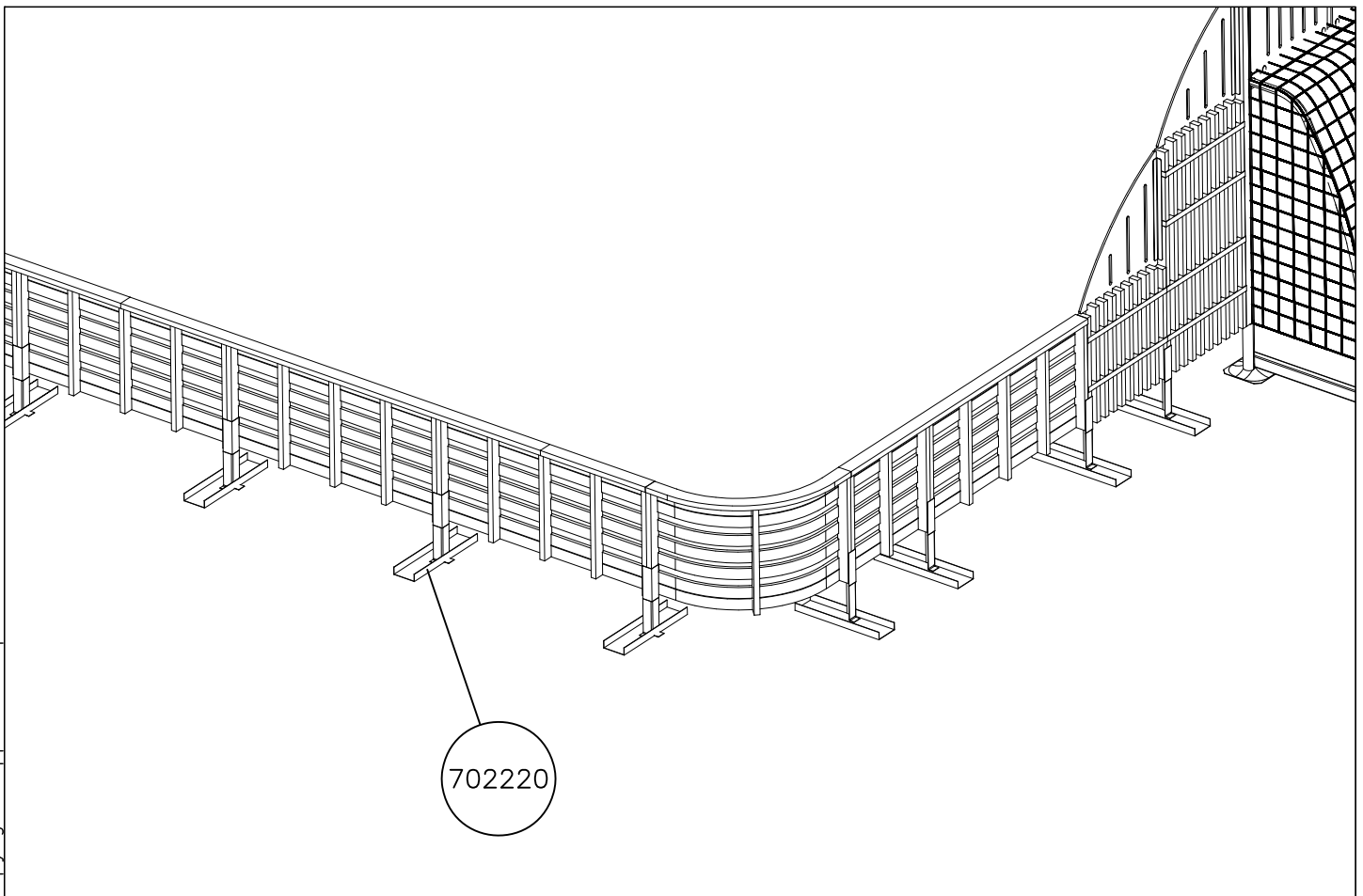
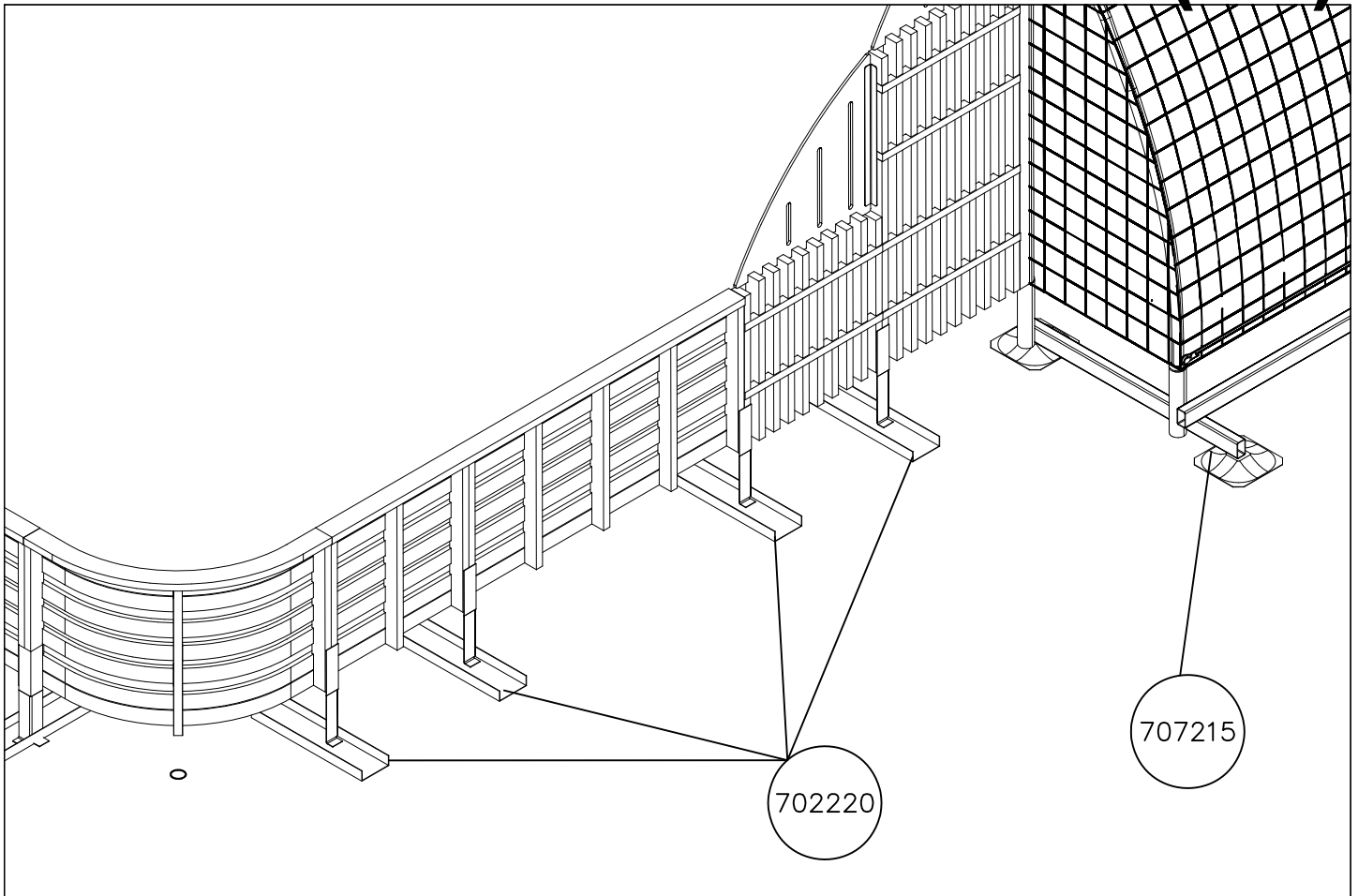


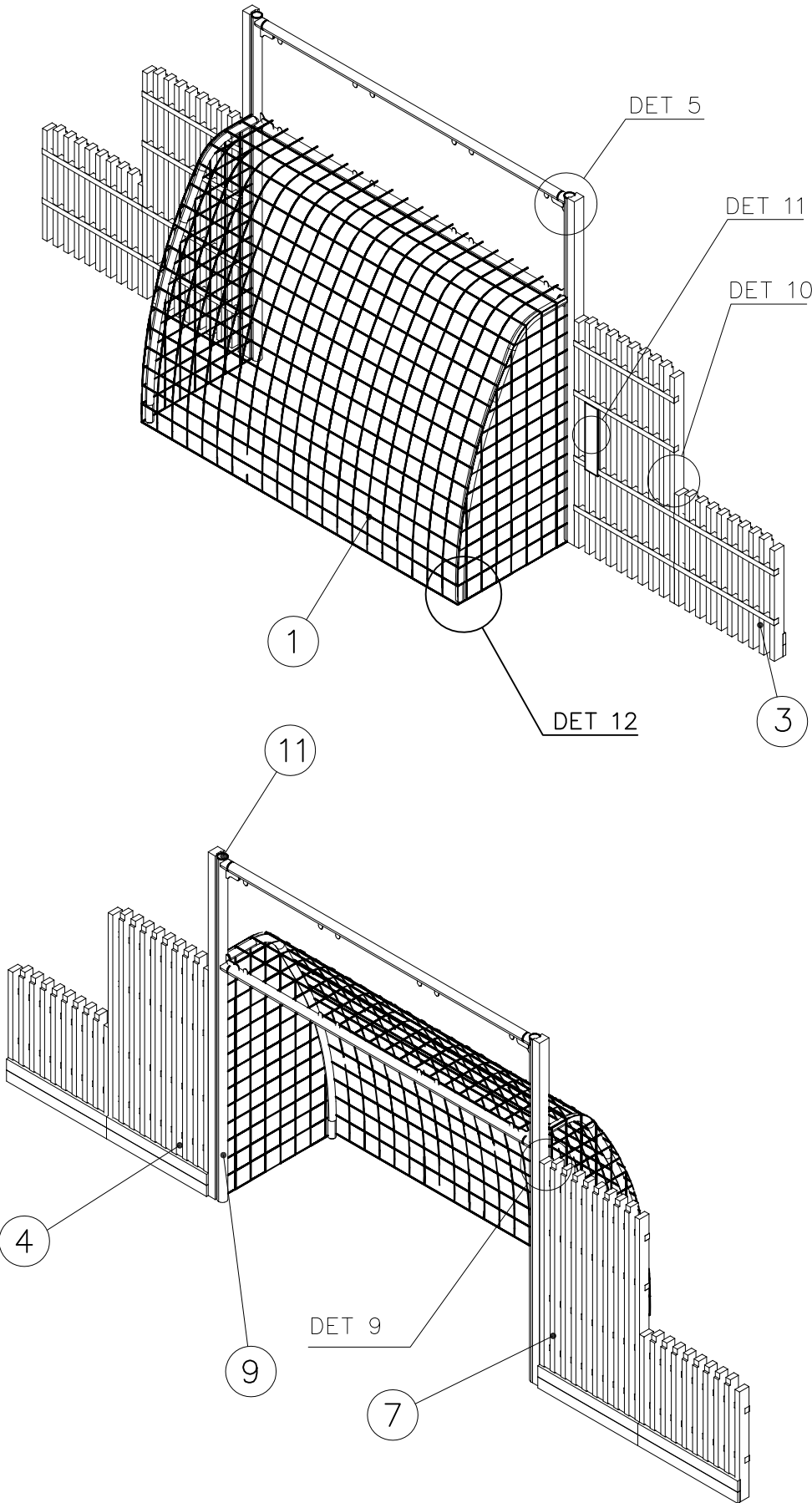
DET 7

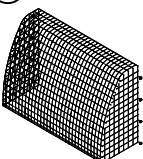

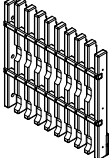
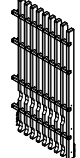
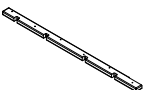

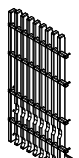






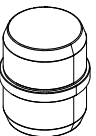
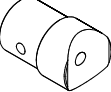
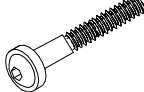


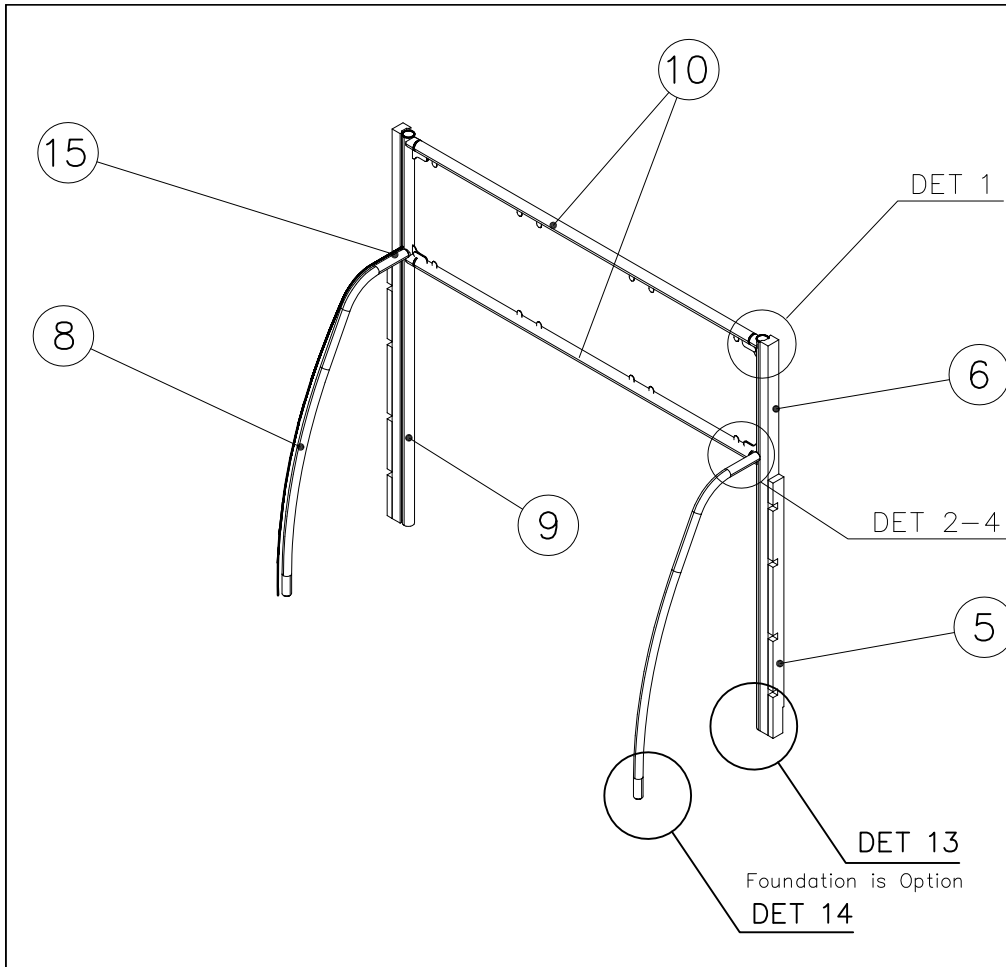


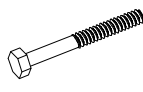
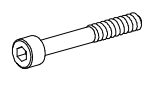
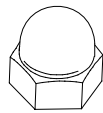
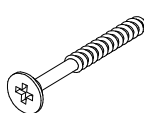
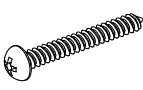



<p>DET 1</p>	<table border="1"> <tbody> <tr> <td>① 909850</td> <td>PCS</td> <td>② 909633</td> <td>PCS</td> </tr> <tr> <td></td> <td>12</td> <td></td> <td>12</td> </tr> <tr> <td>M8x25</td> <td></td> <td>M8</td> <td></td> </tr> <tr> <td>③ 909256</td> <td>PCS</td> <td>④ 980123</td> <td>PCS</td> </tr> <tr> <td></td> <td>24</td> <td></td> <td>32</td> </tr> <tr> <td>Ø16/8.4x1.6</td> <td></td> <td>Ø7x60</td> <td></td> </tr> <tr> <td>⑤ 980128</td> <td>PCS</td> <td>⑥ 980160</td> <td>PCS</td> </tr> <tr> <td></td> <td>20</td> <td></td> <td>24</td> </tr> <tr> <td>Ø7x40</td> <td></td> <td>M8</td> <td></td> </tr> </tbody> </table>	① 909850	PCS	② 909633	PCS		12		12	M8x25		M8		③ 909256	PCS	④ 980123	PCS		24		32	Ø16/8.4x1.6		Ø7x60		⑤ 980128	PCS	⑥ 980160	PCS		20		24	Ø7x40		M8	
① 909850	PCS	② 909633	PCS																																		
	12		12																																		
M8x25		M8																																			
③ 909256	PCS	④ 980123	PCS																																		
	24		32																																		
Ø16/8.4x1.6		Ø7x60																																			
⑤ 980128	PCS	⑥ 980160	PCS																																		
	20		24																																		
Ø7x40		M8																																			
<p>DET 2</p>	<table border="1"> <tbody> <tr> <td>⑦ 980152</td> <td>PCS</td> <td>⑧ 909852</td> <td>PCS</td> </tr> <tr> <td></td> <td>24</td> <td></td> <td>24</td> </tr> <tr> <td>Ø24/8.4x2</td> <td></td> <td>M8x30</td> <td></td> </tr> <tr> <td></td> <td>PCS</td> <td></td> <td>PCS</td> </tr> </tbody> </table>	⑦ 980152	PCS	⑧ 909852	PCS		24		24	Ø24/8.4x2		M8x30			PCS		PCS																				
⑦ 980152	PCS	⑧ 909852	PCS																																		
	24		24																																		
Ø24/8.4x2		M8x30																																			
	PCS		PCS																																		
<p>DET 3</p>	<table border="1"> <tbody> <tr> <td colspan="4" style="text-align: center;">NOT INCLUDED</td> </tr> <tr> <td>○ 707204</td> <td>PCS</td> <td>○ 707208</td> <td>PCS</td> </tr> <tr> <td></td> <td>2</td> <td></td> <td>1</td> </tr> <tr> <td>15x814x992</td> <td></td> <td>15x814x925</td> <td></td> </tr> <tr> <td>○ 704250</td> <td>PCS</td> <td>○ 904900</td> <td>PCS</td> </tr> <tr> <td></td> <td>4</td> <td></td> <td>4</td> </tr> <tr> <td>990x980x15</td> <td></td> <td>45x45x3x875</td> <td></td> </tr> </tbody> </table>	NOT INCLUDED				○ 707204	PCS	○ 707208	PCS		2		1	15x814x992		15x814x925		○ 704250	PCS	○ 904900	PCS		4		4	990x980x15		45x45x3x875									
NOT INCLUDED																																					
○ 707204	PCS	○ 707208	PCS																																		
	2		1																																		
15x814x992		15x814x925																																			
○ 704250	PCS	○ 904900	PCS																																		
	4		4																																		
990x980x15		45x45x3x875																																			

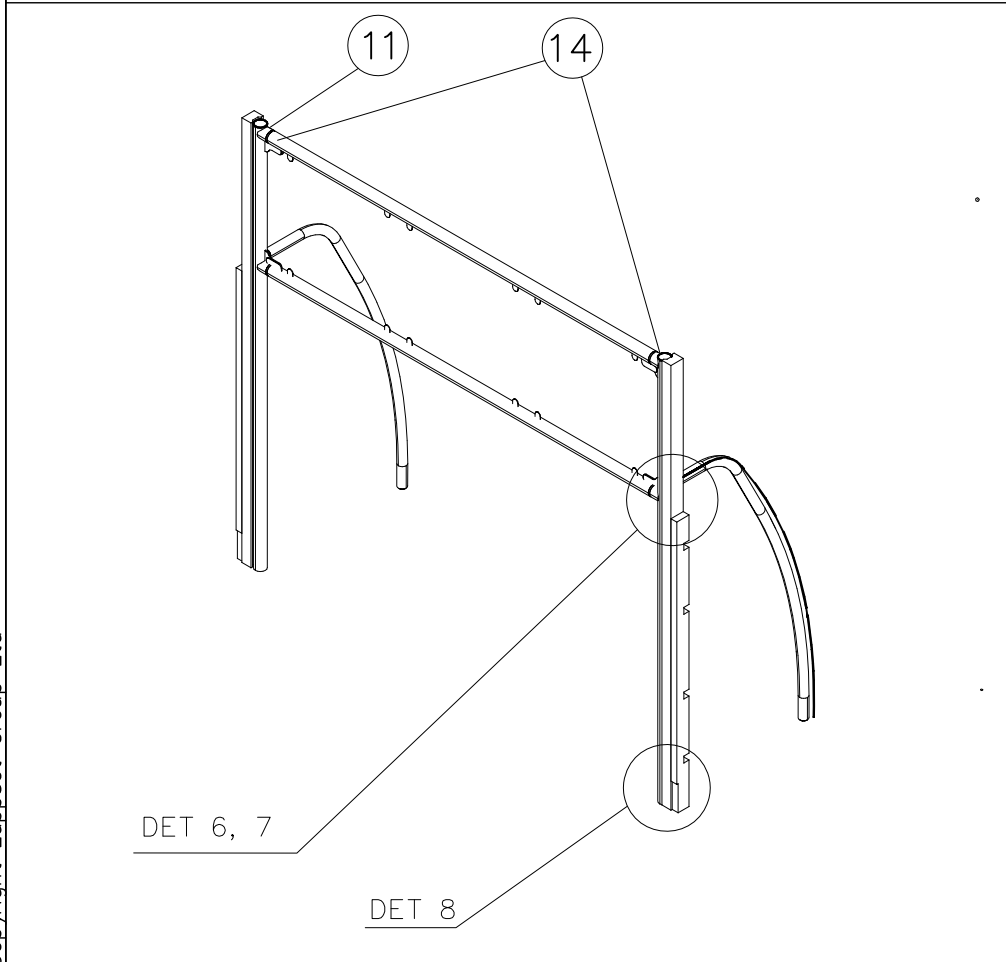


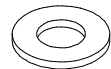
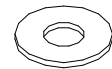
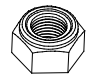

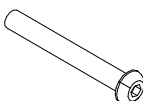
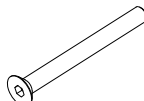
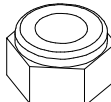
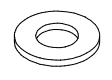


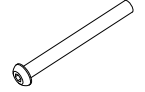
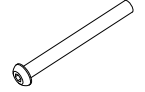
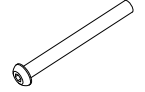
① 704563 150x3160x2100 	PCS 1	② 702269 10x125x520 	PCS 1
③ 704233 1000x1000 	PCS 2	④ 704241 1000x1995 	PCS 1
⑤ 704242 45x95x1950 	PCS 2	⑥ 704245 70x95x2975 	PCS 2
⑦ 704246 1000x1995 	PCS 1	⑧ 904899 Ø60x2.5 	PCS 2
⑨ 908070 Ø76.1x2965 	PCS 2	⑩ 908071 Ø76.1x2945 	PCS 2
⑪ 904800 GL75x1-3,5 	PCS 2	⑫ 905051 Ø24/8.4 	PCS 32
⑬ 906829 M10x25 	PCS 8	⑭ 907843 Ø76x90 	PCS 4
⑮ 908069 Ø60x87,6 	PCS 2	⑯ 909117 M8x100 	PCS 8

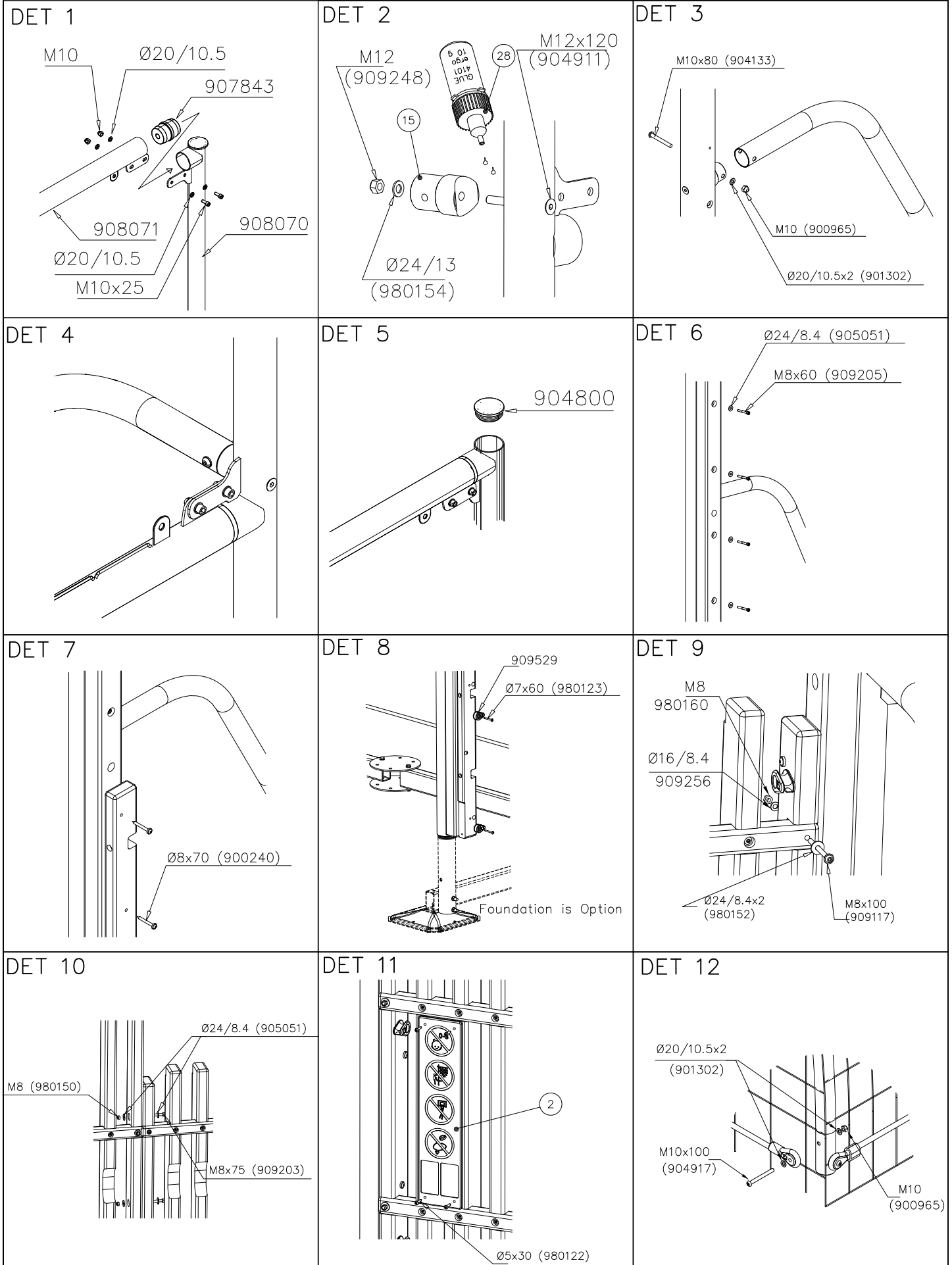


(17) 909203	PCS	(18) 909205	PCS
	6		20
M8x75		M8x60	
(19) 900965	PCS	(20) 980107	PCS
	12		8
M10		Ø6x60	
(21) 980122	PCS	(22) 900240	PCS
	4		12
Ø5x30		Ø8x70	
(23) 980154	PCS	(24) 980150	PCS
	4		6
Ø24/13		M8	24

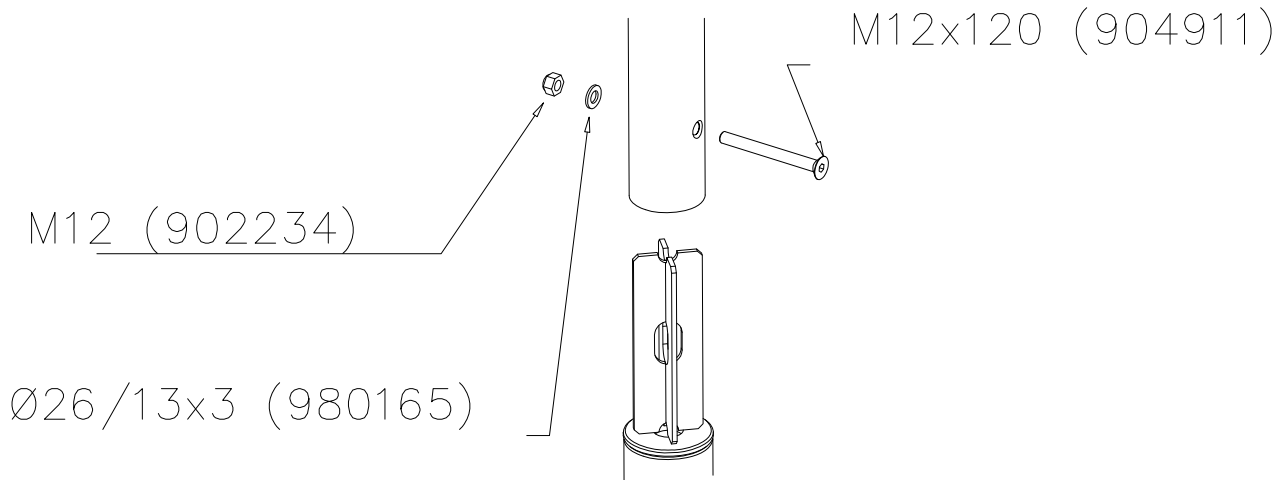


(25) 901302	PCS	(26) 980152	PCS
	24		8
Ø20/10.5x2		Ø24/8.4x2	
(27) 980160	PCS	(28) 999561	PCS
	8		1
M8		10g	
(29) 904133	PCS	(30) 904911	PCS
	2		4
M10x80		M12x120	
(31) 909248	PCS	(32) 909256	PCS
	4		8
M12		Ø16/8.4x1.6	

<p>(A)</p> <p style="text-align: right;">+3010</p> <p style="text-align: right;">+2130</p> <p style="text-align: right;">+0</p> <p style="text-align: center;">1200</p>	<table border="1"> <tr> <td>PCS</td> <td>(33) 904917</td> <td>PCS</td> </tr> <tr> <td></td> <td></td> <td>2</td> </tr> <tr> <td></td> <td>M10x100</td> <td></td> </tr> <tr> <td>PCS</td> <td></td> <td>PCS</td> </tr> <tr> <td>PCS</td> <td></td> <td>PCS</td> </tr> <tr> <td>PCS</td> <td></td> <td>PCS</td> </tr> </table>	PCS	(33) 904917	PCS			2		M10x100		PCS		PCS	PCS		PCS	PCS		PCS
PCS	(33) 904917	PCS																	
		2																	
	M10x100																		
PCS		PCS																	
PCS		PCS																	
PCS		PCS																	
<p>(B)</p> <p style="text-align: center;">7310</p>	<table border="1"> <tr> <td>PCS</td> <td></td> <td>PCS</td> </tr> <tr> <td></td> <td></td> <td></td> </tr> <tr> <td></td> <td></td> <td></td> </tr> </table>	PCS		PCS															
PCS		PCS																	



DET 13 Foundation is Option



DET 14 Foundation is Option

