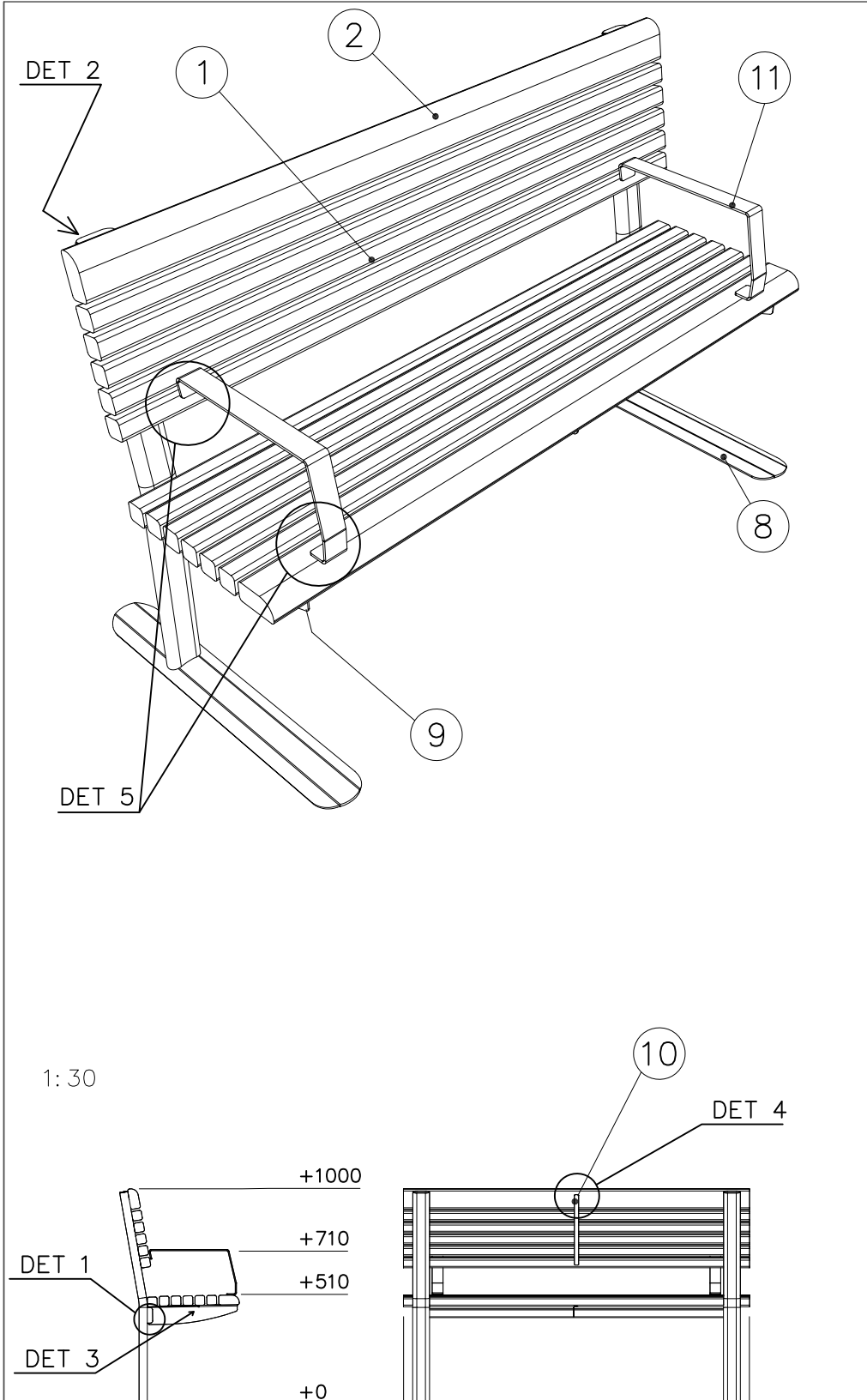


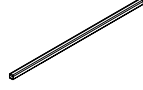






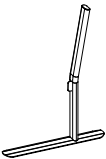
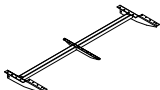

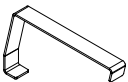
# LAPPSET® PARK

# 060130M

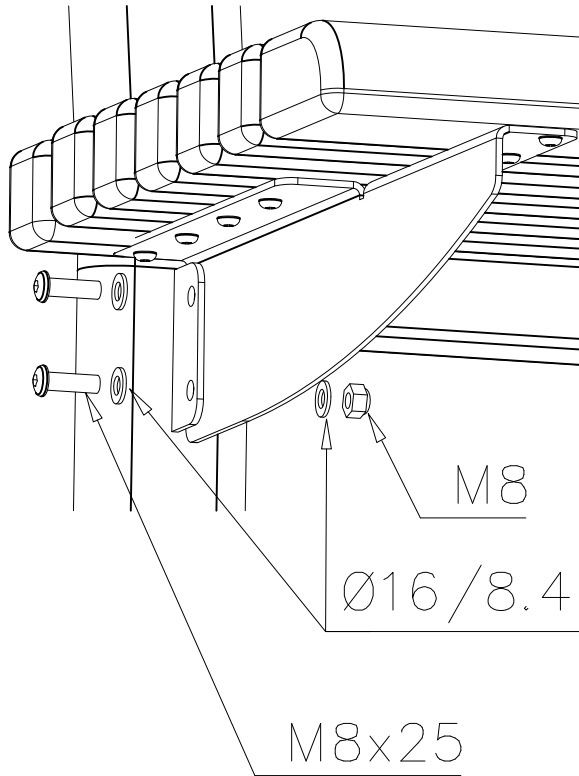
DATE: 5.1.2021

1(2)

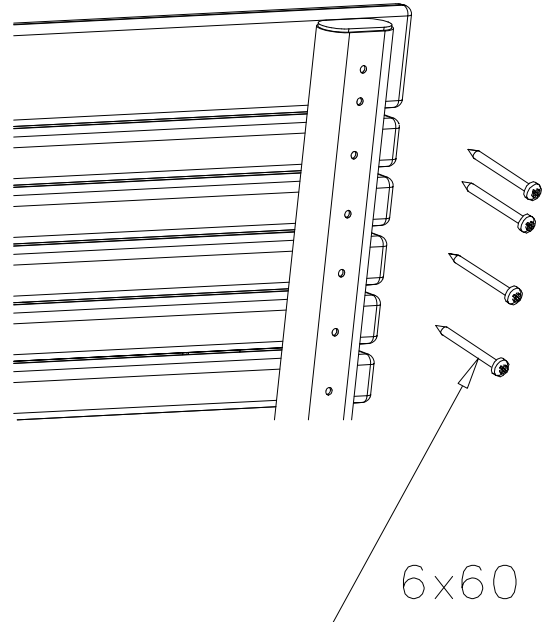


①	003463	PCS	②	003464	PCS
		11			2
	45X45X1600			45X95X1600	
③	909256	PCS	④	909850	PCS
		8			4
	Ø16/8.4x1.6			M8x25	
⑤	980122	PCS	⑥	980131	PCS
		39			14
	Ø5x30			Ø6x60	
⑦	980160	PCS	⑧	908731	PCS
		4			2
	M8				
⑨	908726	PCS	⑩	908727	PCS
		1			1
				3x20x450	
		PCS	⑪	908720	PCS
					2
		PCS			PCS
		PCS			PCS

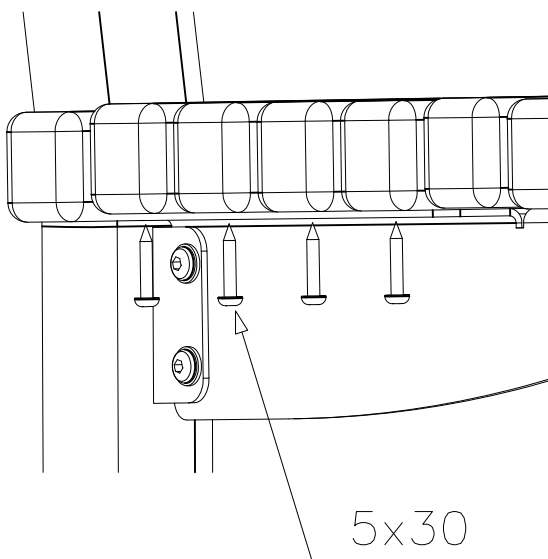
DET 1



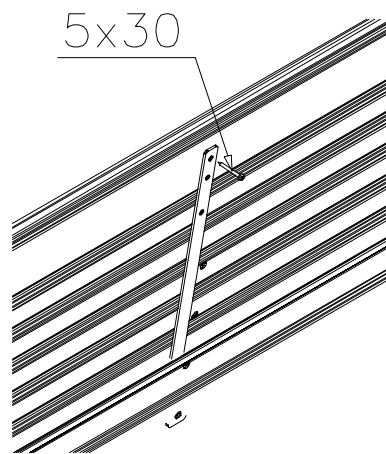
DET 2



DET 3



DET 4



DET 5

