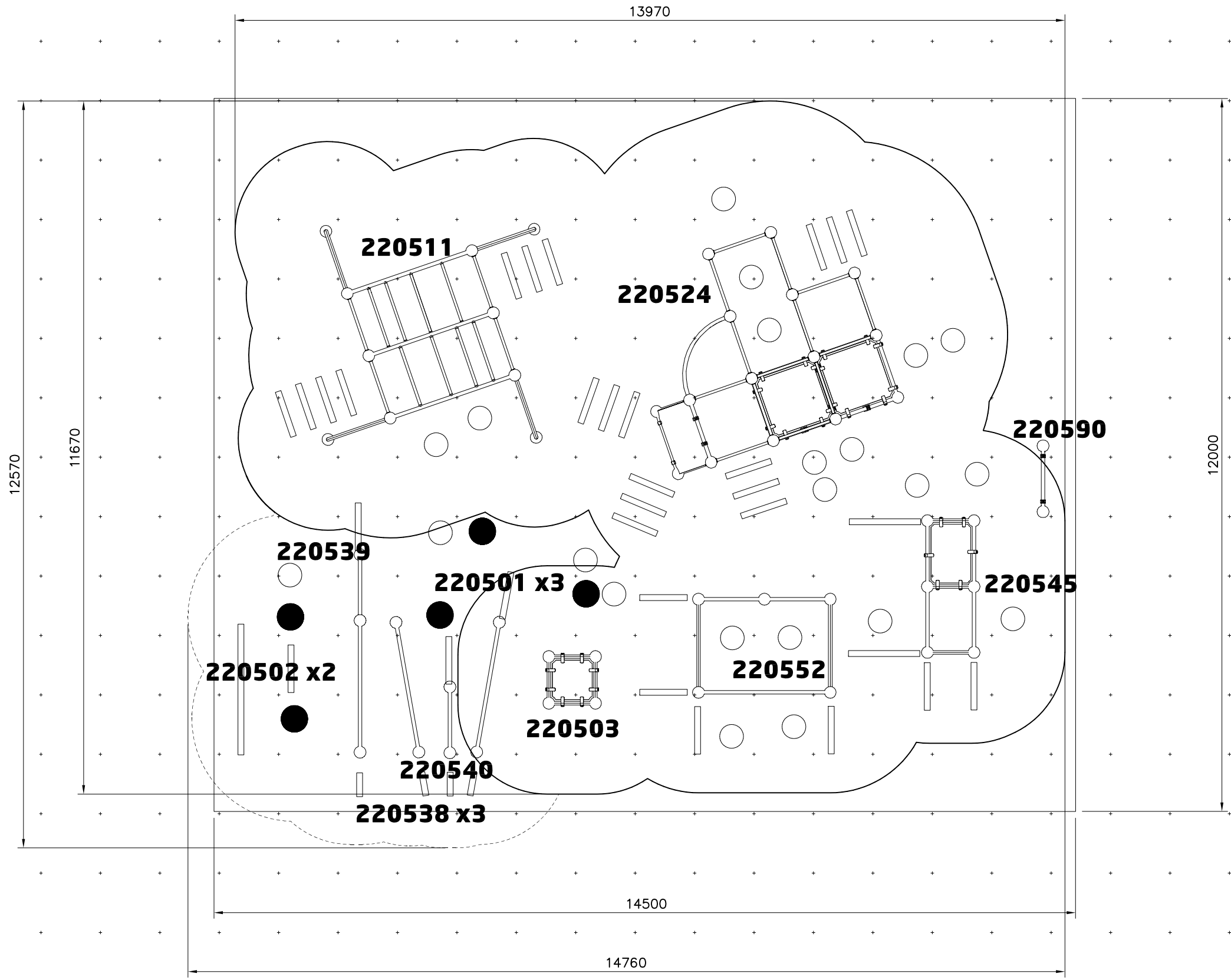
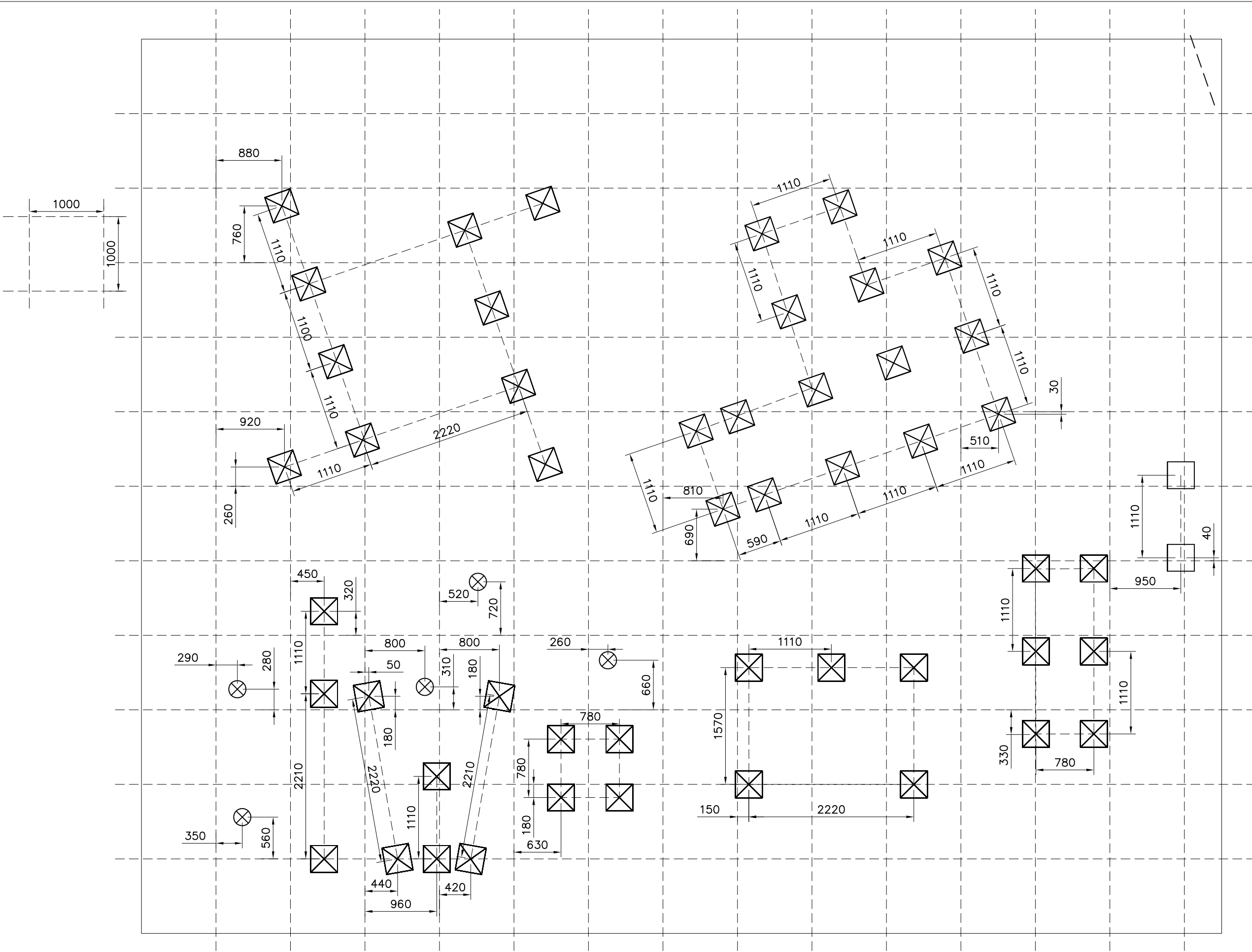


— EN/AS Impact Area 122.4 m²
- - - Falling Space 148.5 m²
Max Falling Height 2230 mm

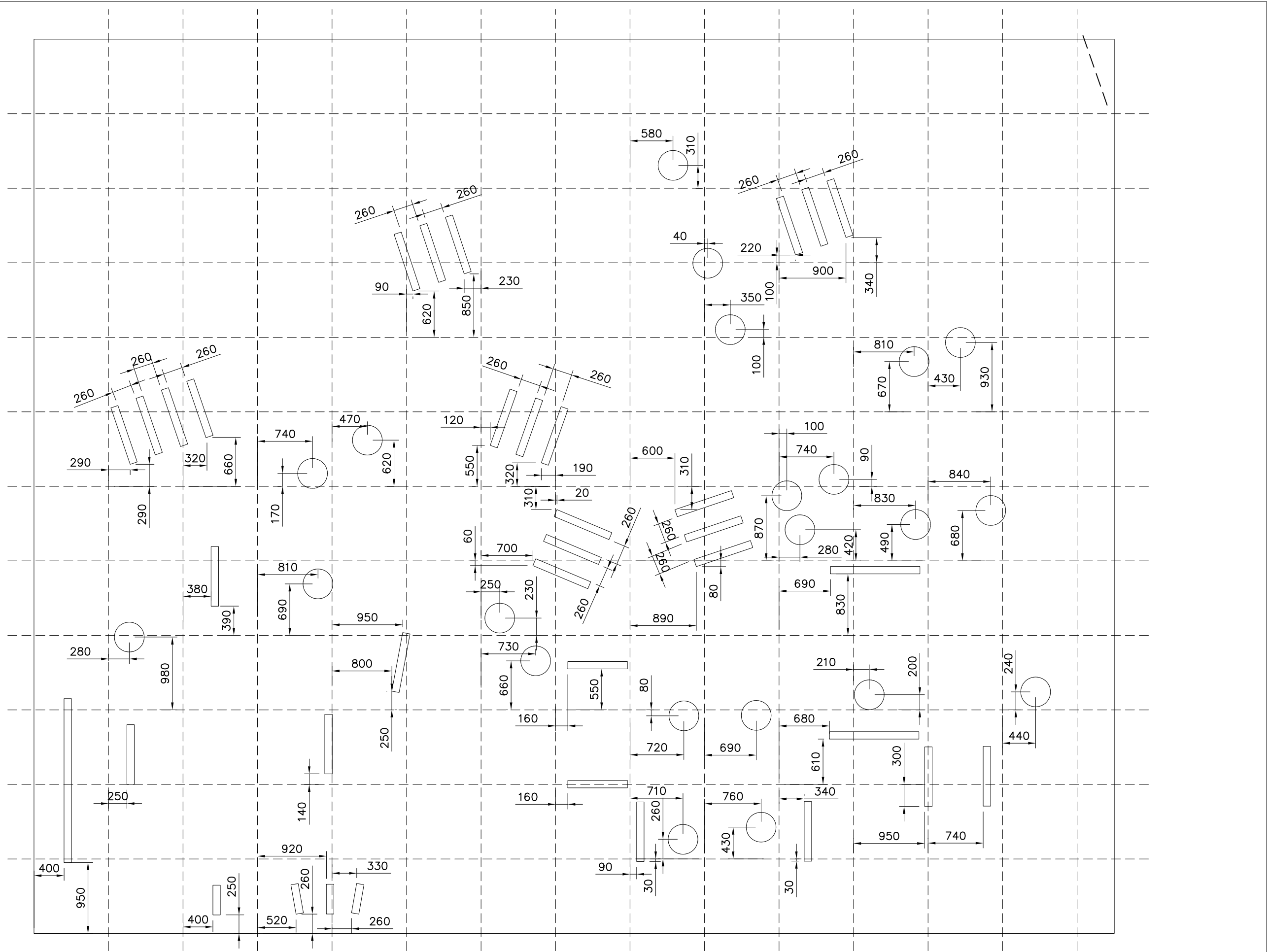
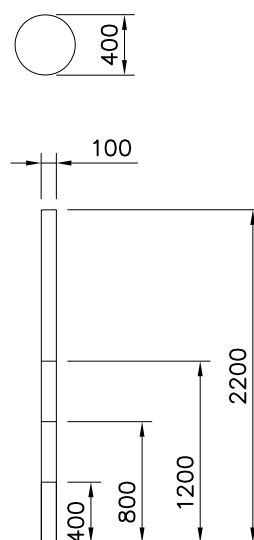
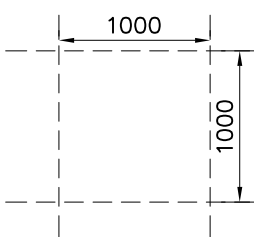


PARKOUR FOUNDATIONS

DATE: 4.2.2019



DATE: 4.2.2019



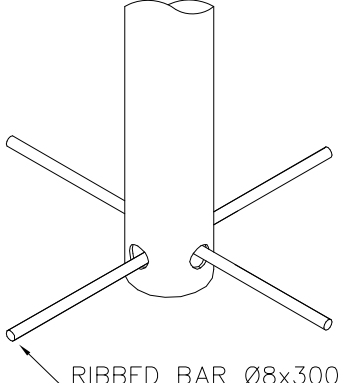
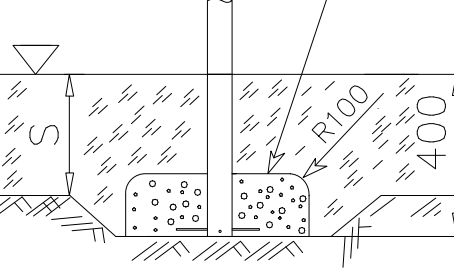
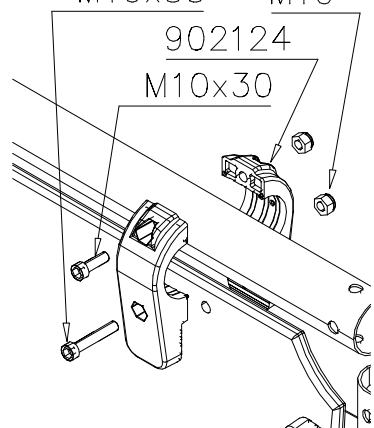
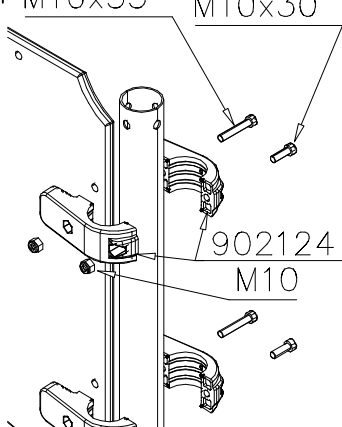
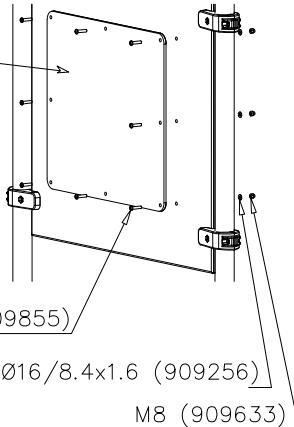
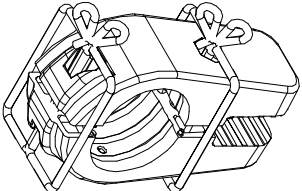
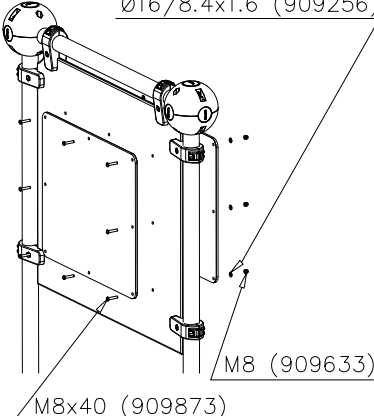
LAPPSET PARKOUR

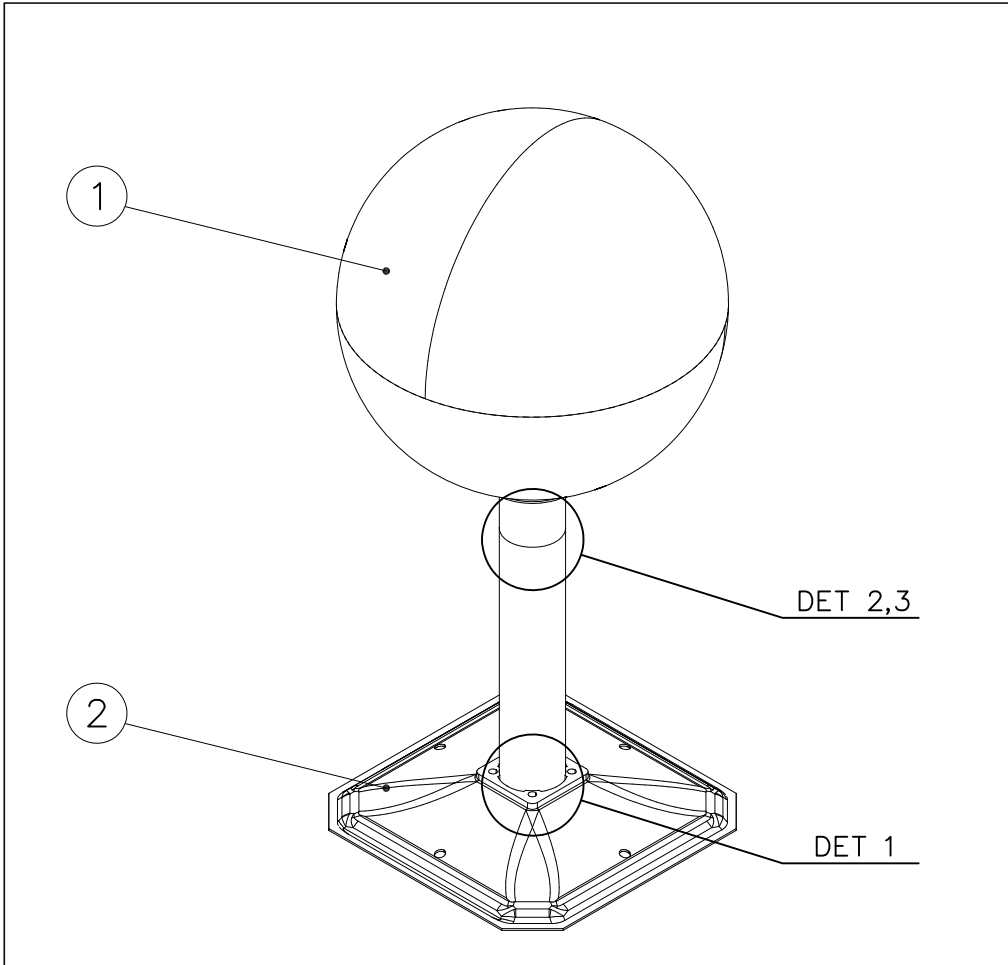
220590

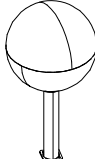
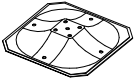

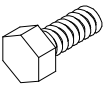

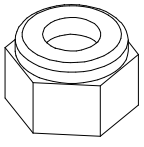
DATE: 24.5.2018

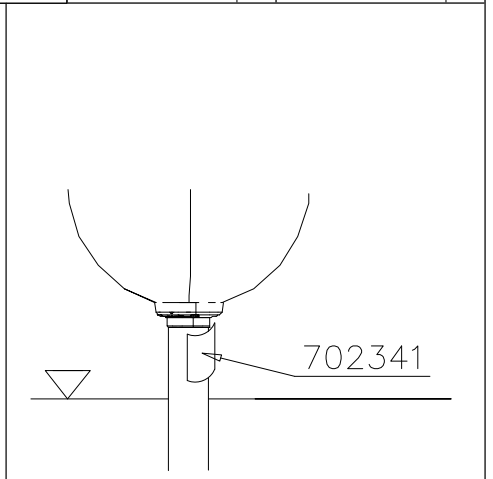
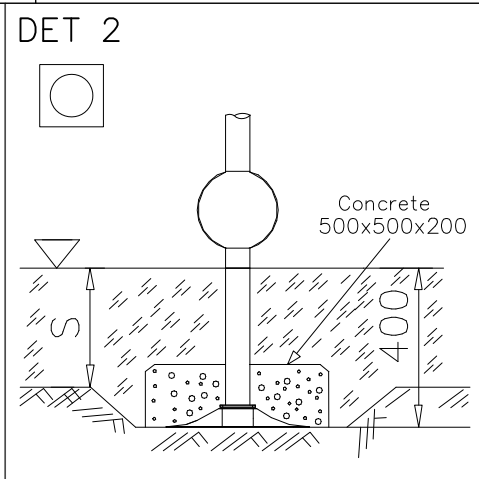
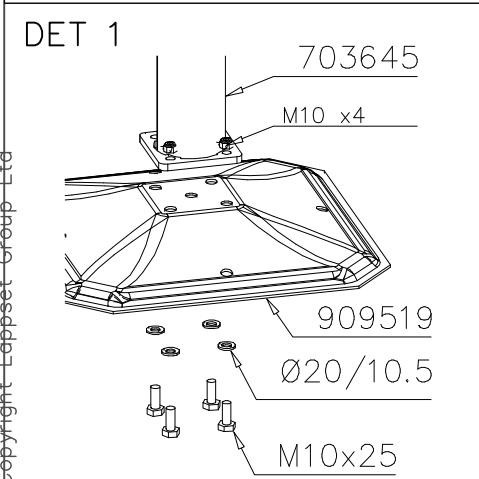
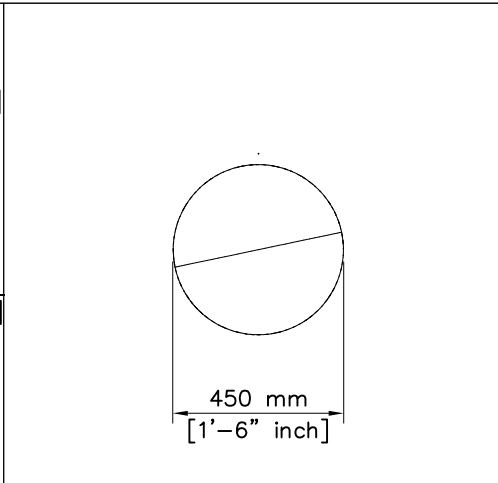
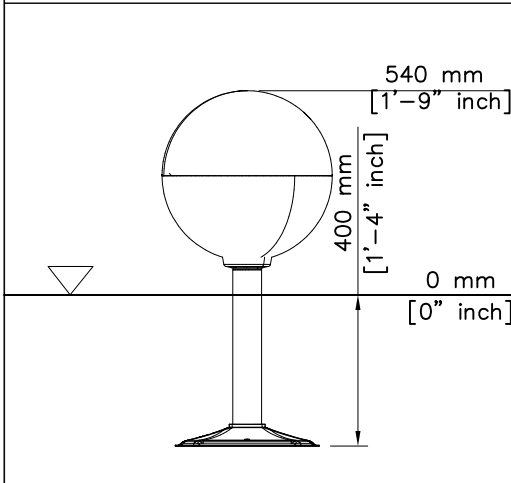
1(2)

	<p>① 702341 PCS 1 90x50</p>	<p>② 704599 PCS 1 8x STICKERS 90x50</p>
	<p>③ 902134 PCS 2 150x50x50</p>	<p>④ 902157 PCS 8 60x60x2</p>
	<p>⑤ 902424 PCS 1 L 1034</p>	<p>⑥ 904130 PCS 2 L 2148</p>
	<p>⑦ 902124 PCS 12 M10x55</p>	<p>⑧ 980161 PCS 12 M10</p>
	<p>⑨ 902232 PCS 6 M10x55</p>	<p>⑩ 902233 PCS 6 M10x30</p>
	<p>⑪ 704829 PCS 1 15x913x993</p>	<p>⑬ 909855 PCS 8 M8x35</p>
	<p>⑭ 909256 PCS 8 Ø16/8.4x1.6</p>	<p>⑮ 909633 PCS 8 M8</p>
<p>DET 1,2</p>	<p>⑯ 909873 PCS 8 M8x40</p>	<p>○ 704855-704866 PCS 1 SIGN NOT INCLUDED 8x560x640</p>

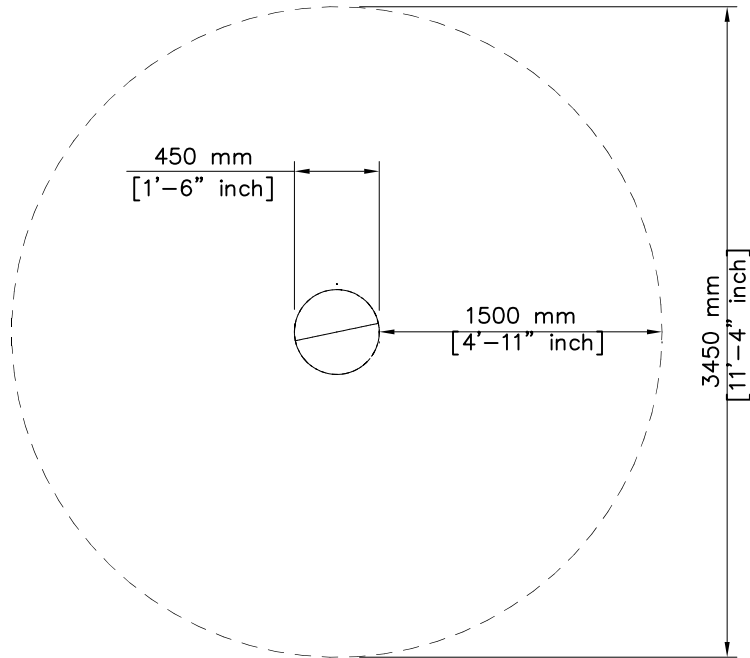
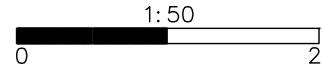
<p>DET 1</p>  <p>RIBBED BAR Ø8x300</p>	<p>DET 2</p>  <p>Concrete 500x500x200</p> <p>R100</p> <p>400</p>	<p>DET 3</p>  <p>M10x55 M10</p> <p>902124</p> <p>M10x30</p>
<p>DET 4</p>  <p>M10x55 M10x30</p> <p>902124</p> <p>M10</p>	<p>DET 5</p>  <p>NOTE: Various signs.</p> <p>HUOM: Useita erilaisia kylttejä.</p> <p>M8x35 (909855)</p> <p>Ø16/8.4x1.6 (909256)</p> <p>M8 (909633)</p>	 <p>NOTE: Use a wire marked pairs of the same junction.</p> <p>Huom! Käytä langalla merkittyä paria samassa liitoksessa.</p>
<p>OPTIONAL</p>  <p>Ø16/8.4x1.6 (909256)</p> <p>M8 (909633)</p> <p>M8x40 (909873)</p>		



① 703644	PCS	② 909519	PCS
	1		1
		380x380	
③ 909638	PCS	④ 909639	PCS
	4		4
Ø20/10.5		M10x25	
⑤ 702341	PCS	⑥ 909637	PCS
	1		4
		M10	
	PCS		PCS
	PCS		PCS
	PCS		PCS



----- Falling Space 9.3 m² (100 sq ft)
Max Falling Height 540 mm (1'-9" in)



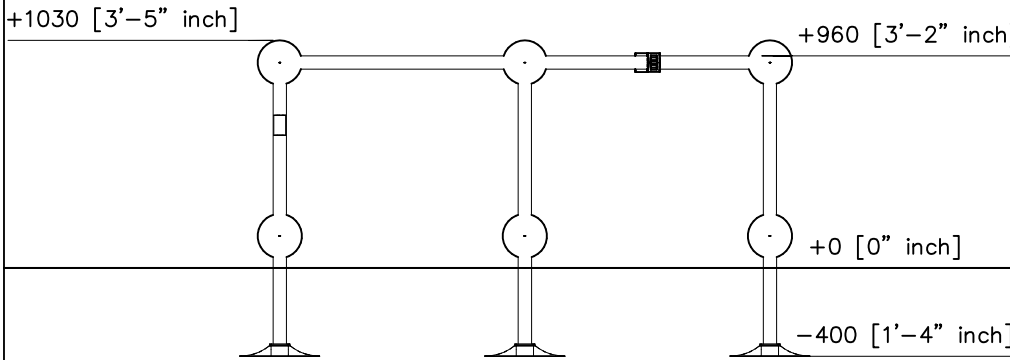
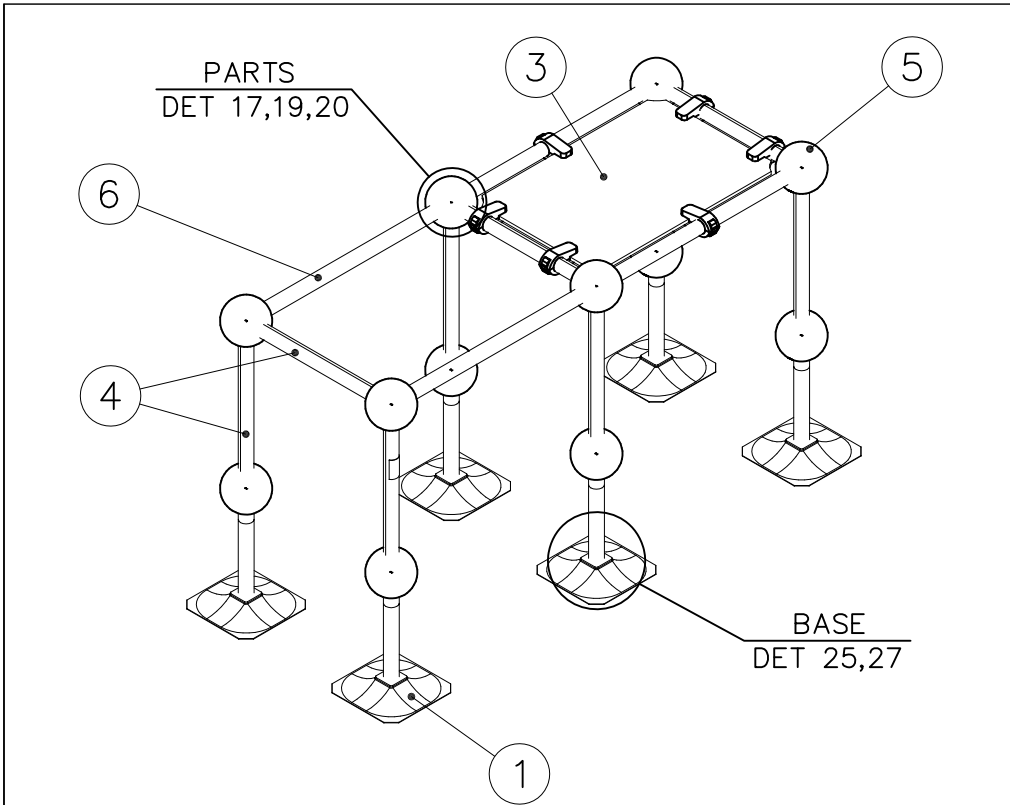
LAPPSET®

PARKOUR

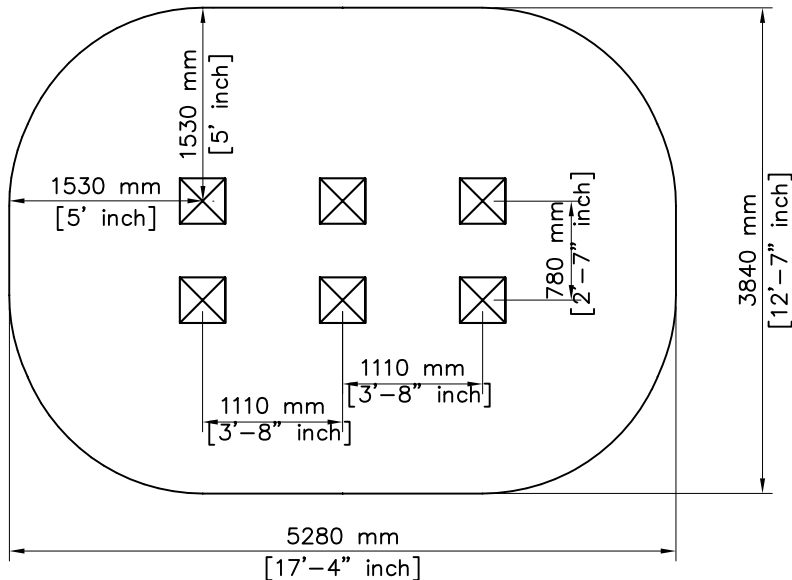
220545

DATE: 24.2.2015

1(1)



EN/AS Impact Area 18.2 m² (196 sq ft)
 Falling Space Area 18.2 m² (196 sq ft)
 Max Falling Height 960 mm (3'-2" in)



① 701985	PCS	② 702341	PCS
	6		1
		90x50	
③ 703486	PCS	④ 902022	PCS
	1		9
		L 710	
⑤ 902134	PCS	⑥ 902424	PCS
	12		4
		L 1034	
⑦ 904747	PCS		PCS
	40		
		60x60x2	
	PCS		PCS
	PCS		PCS
	PCS		PCS
	PCS		PCS

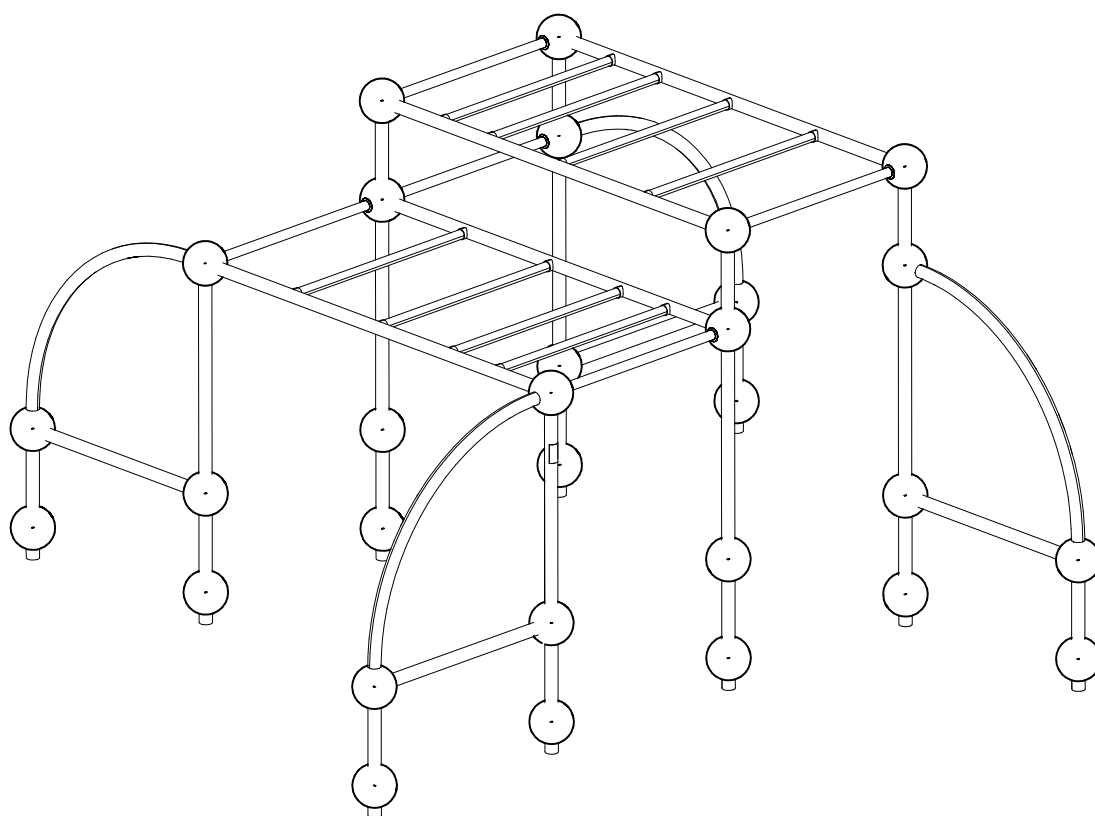
LAPPSET®

PARKOUR

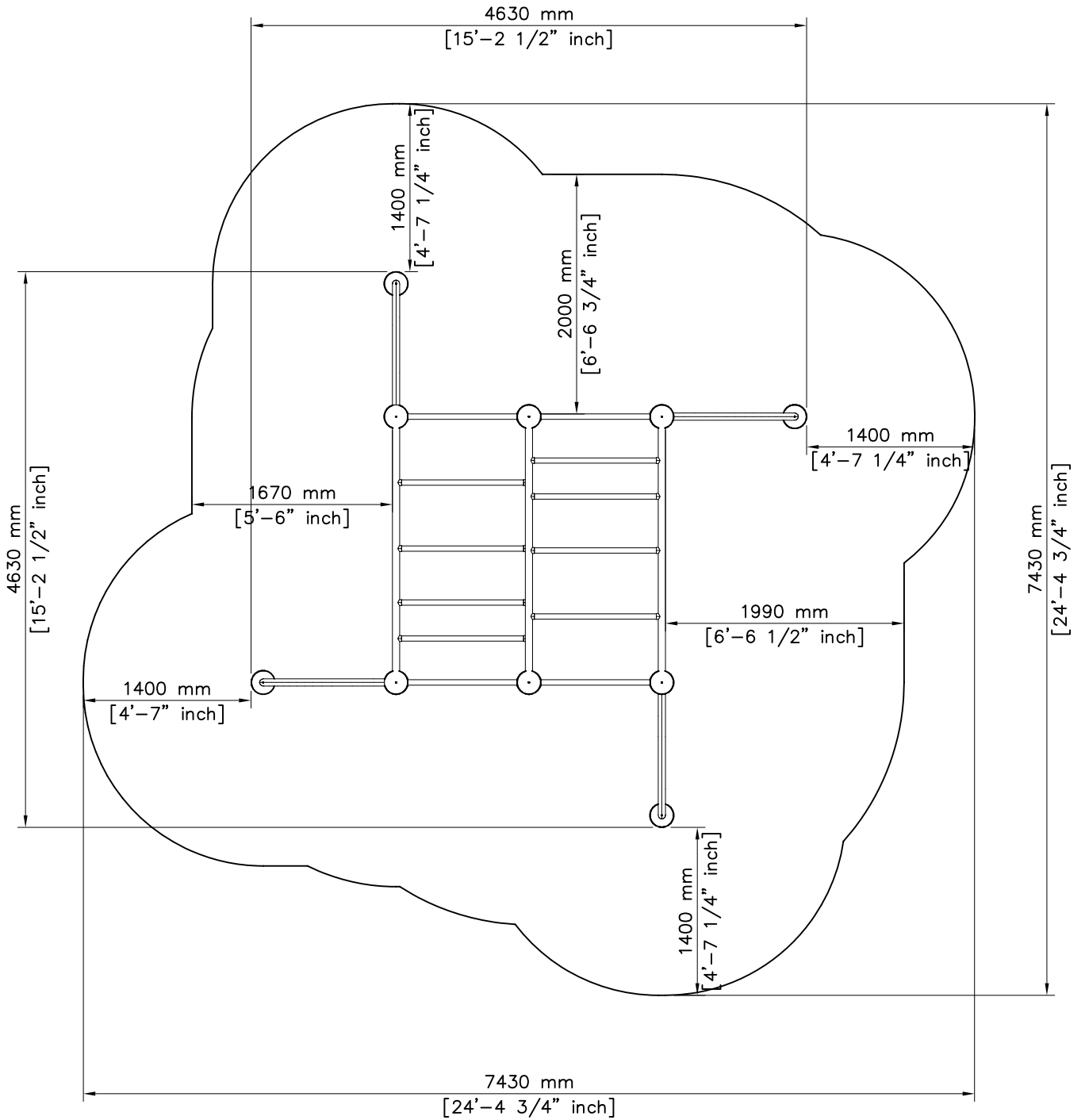
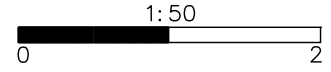
ASENNUSOHJE
MONTERINGSANSVISNING
INSTALLATION INSTRUCTION
AUFBAUANLEITUNG
NOTICE D'INSTALLATION

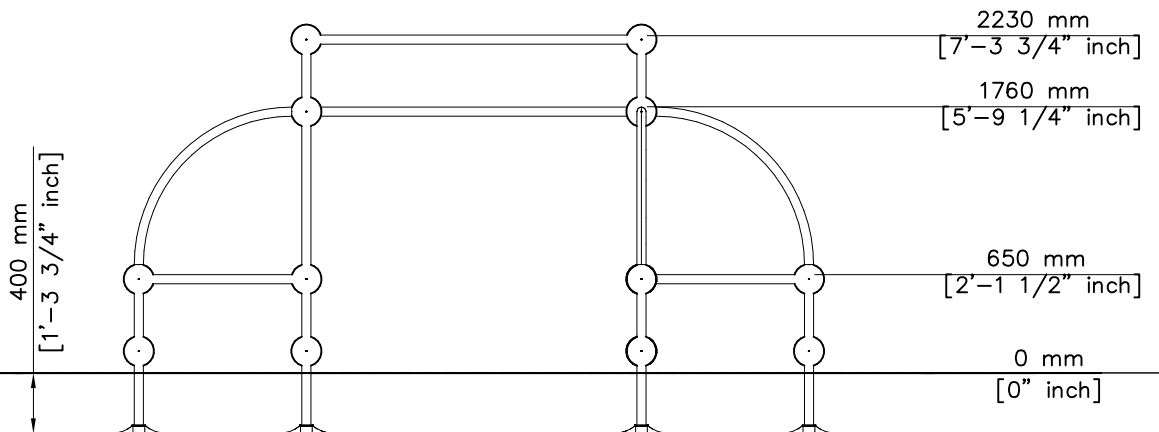
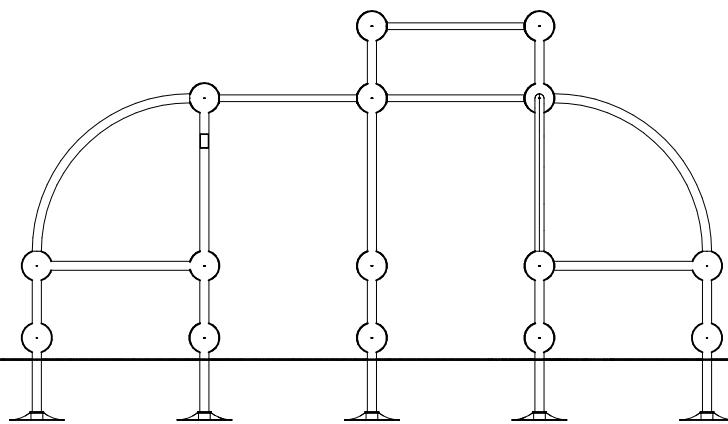
DATE: 20.2.2015

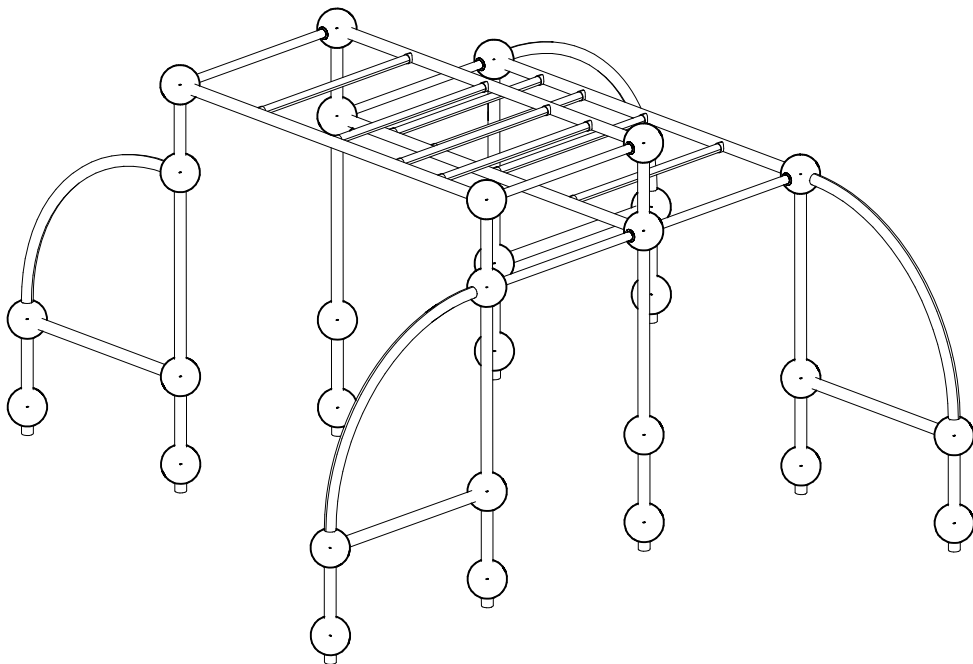
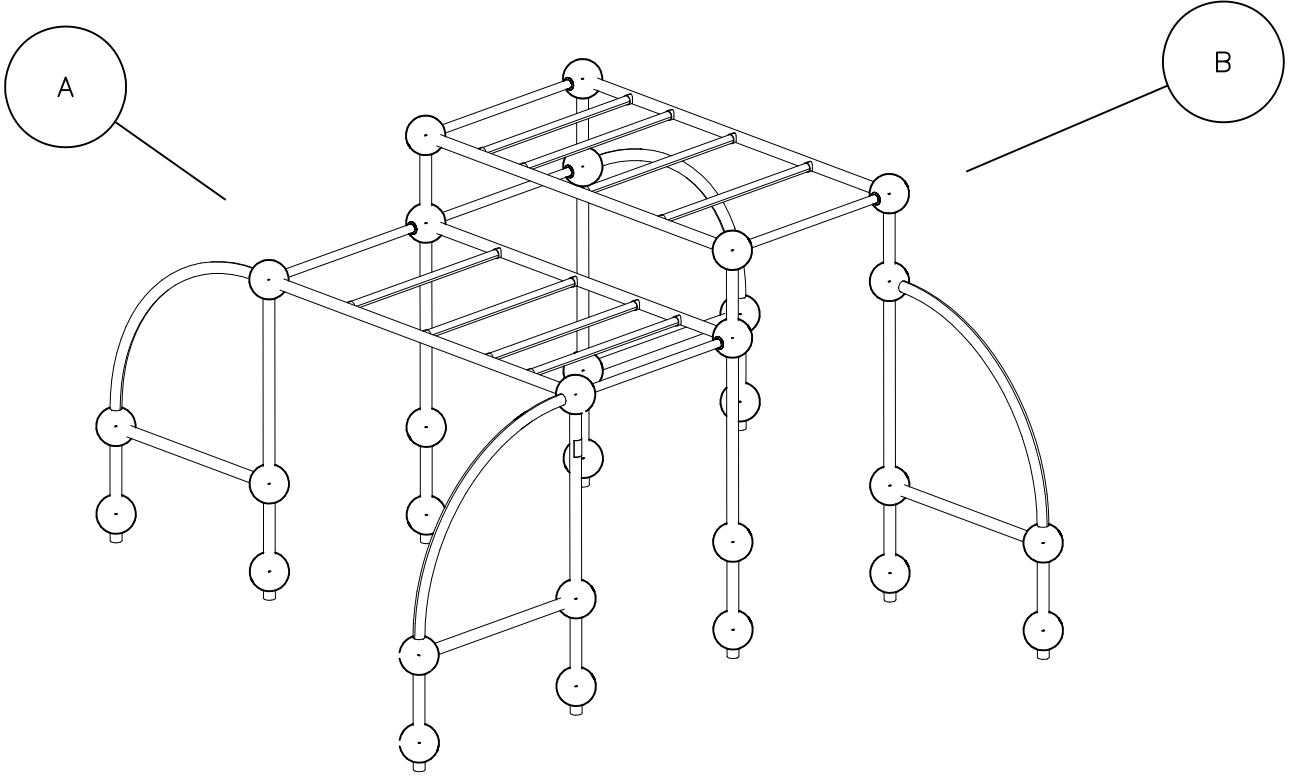
220511

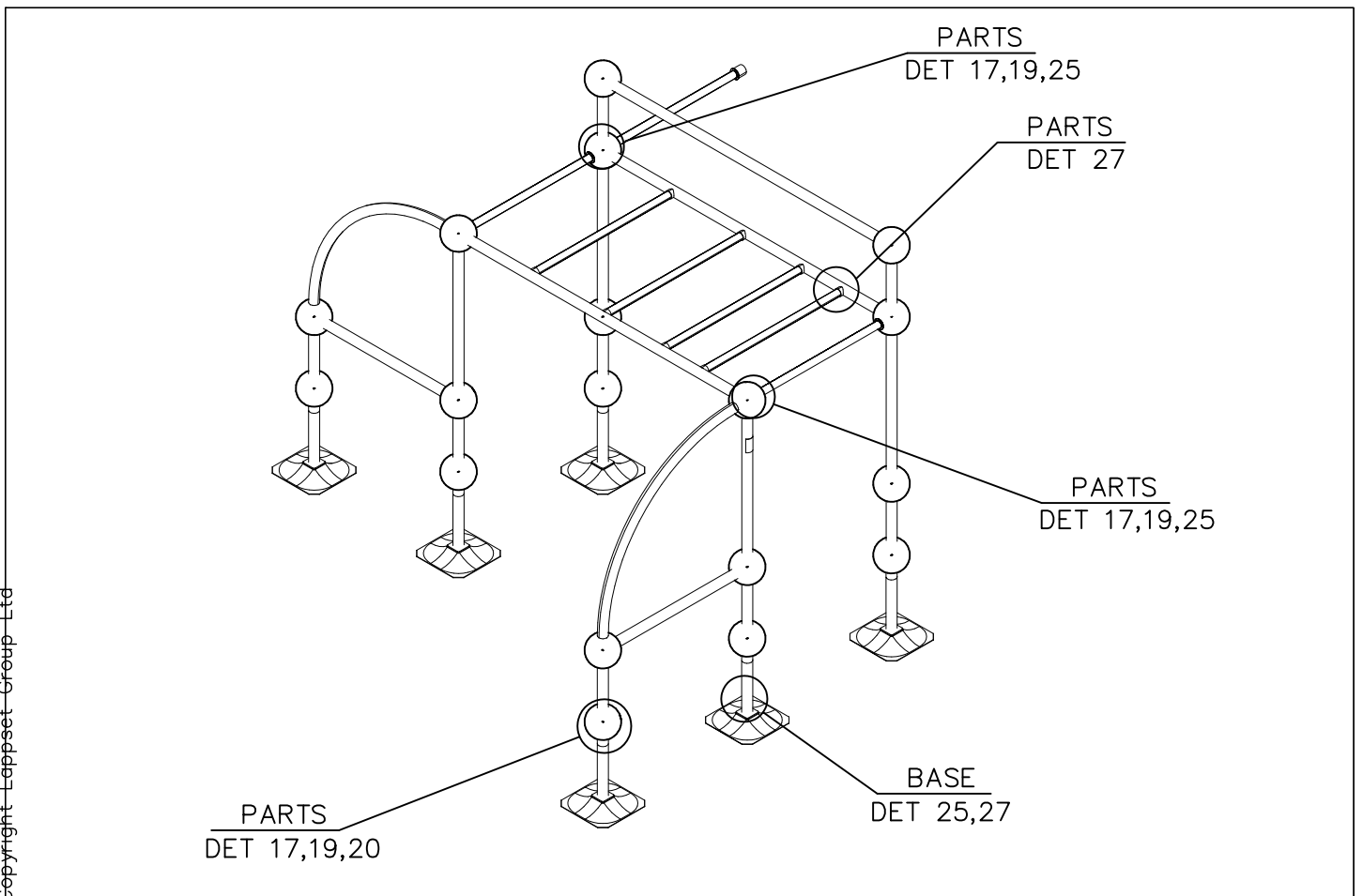
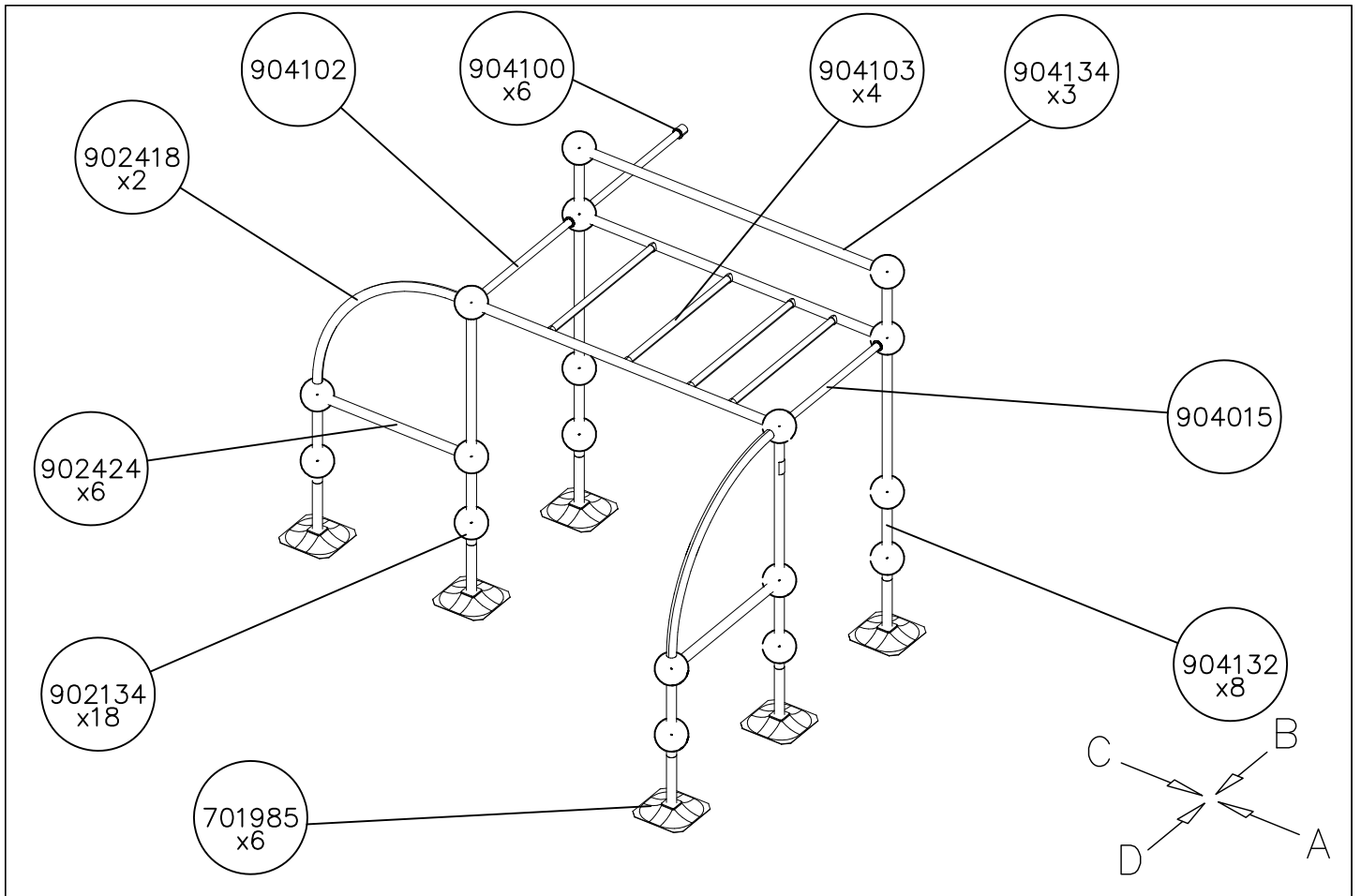


- EN/AS Impact Area 39.5 m² (425 sq ft)
- Falling Space 39.5 m² (425 sq ft)
- Max Falling Height 2230 mm (7'-3 3/4" in)







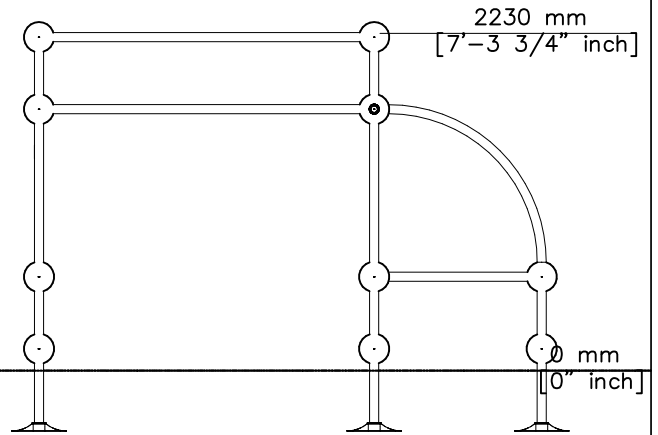
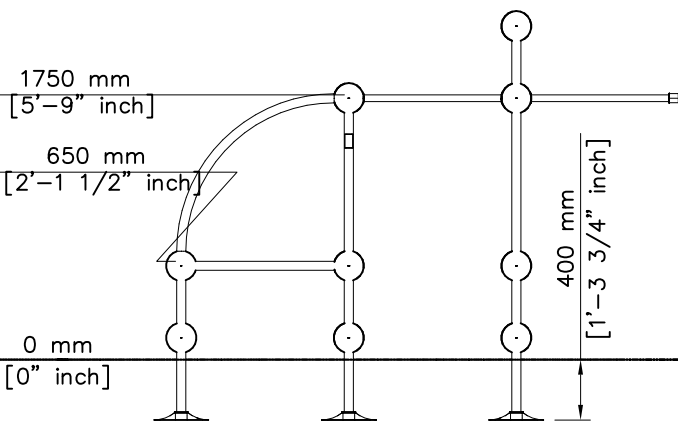


DATE: 20.2.2015

1:50

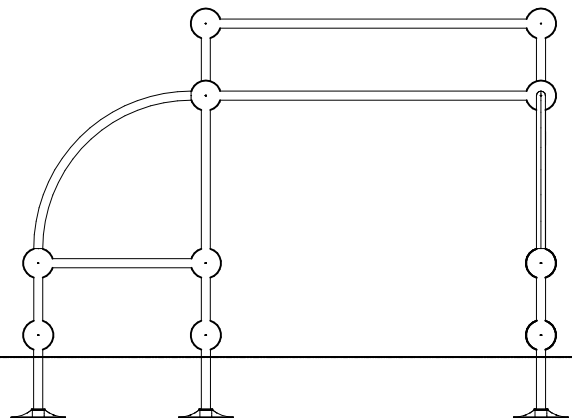
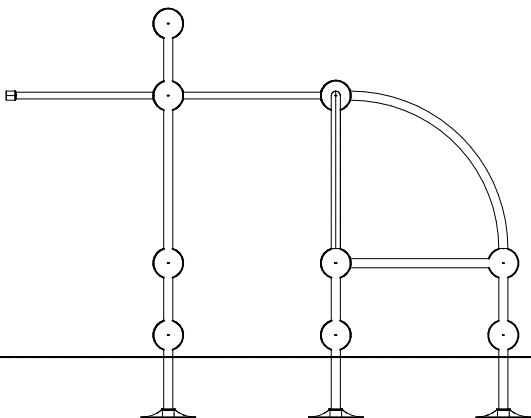
(A)

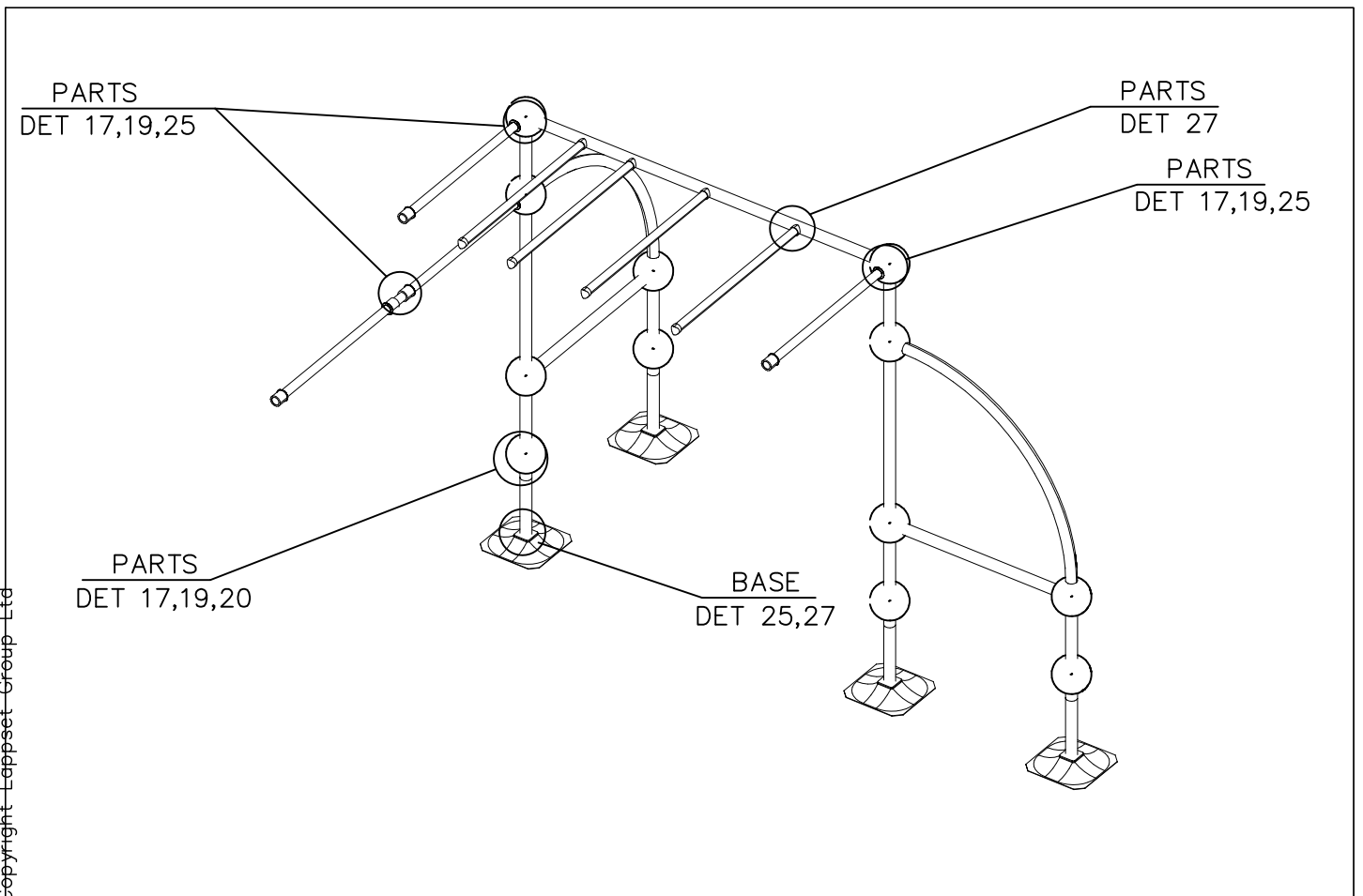
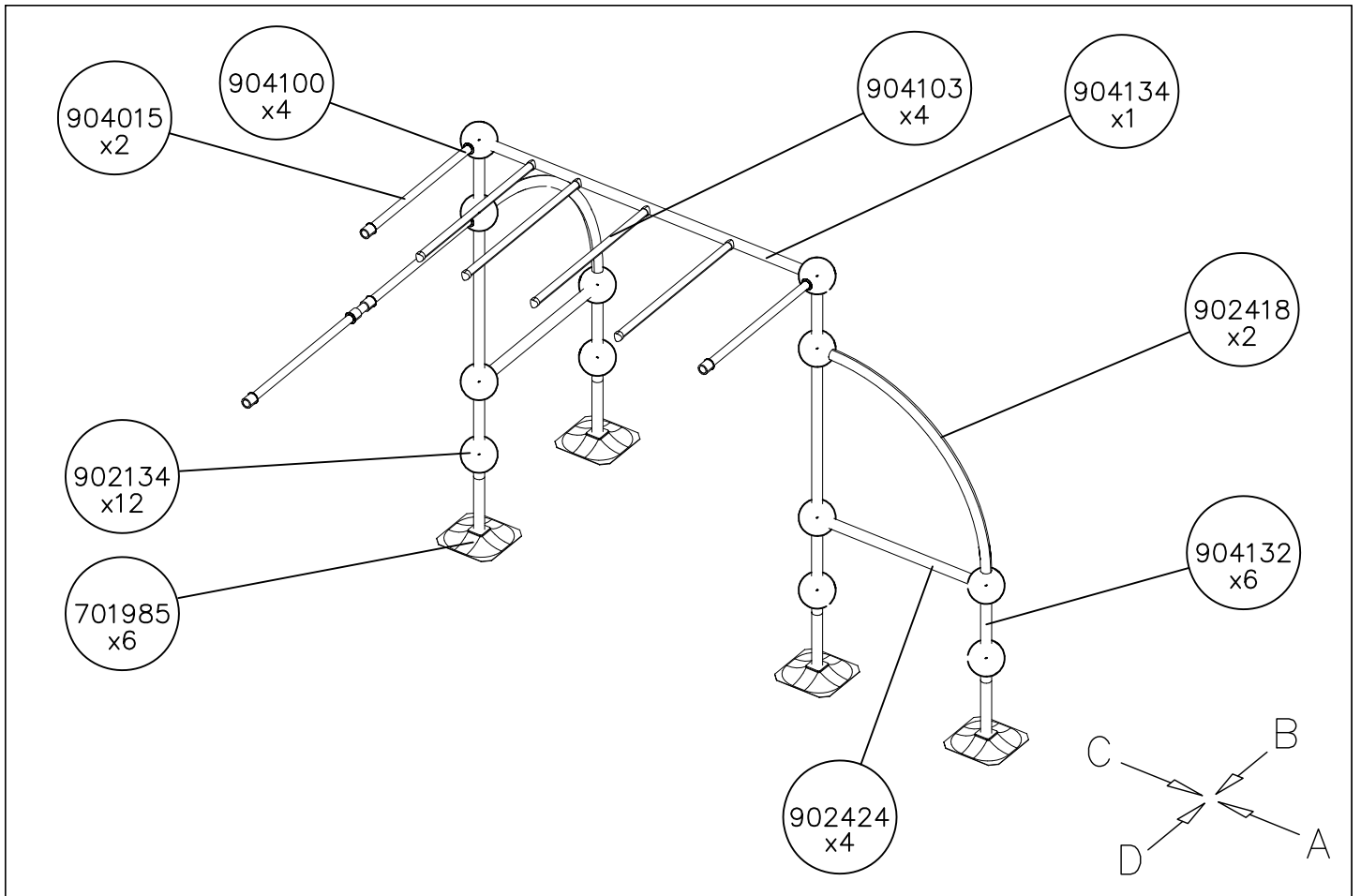
(B)



(C)

(D)

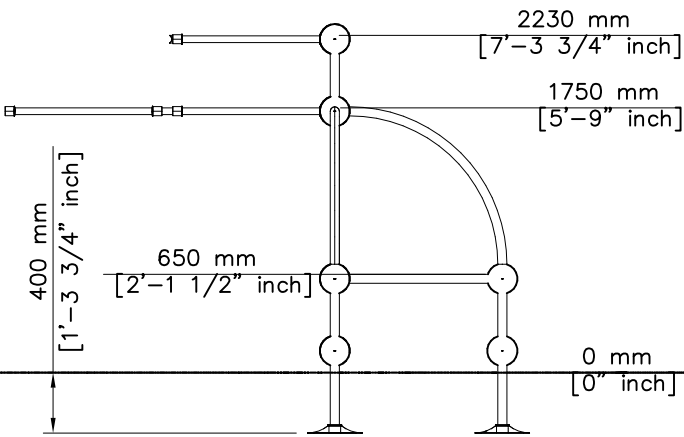




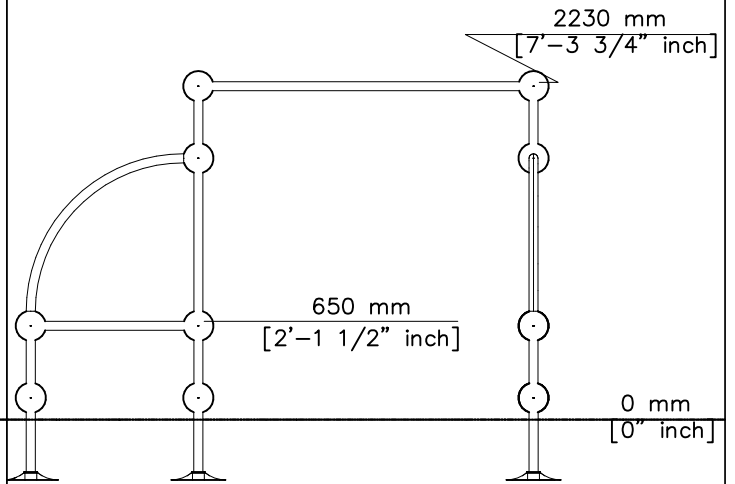
DATE: 20.2.2015

1:50

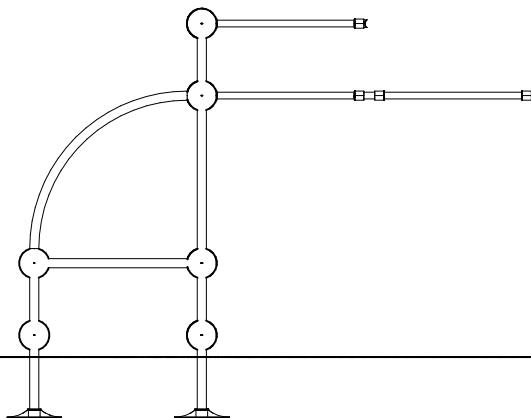
(A)



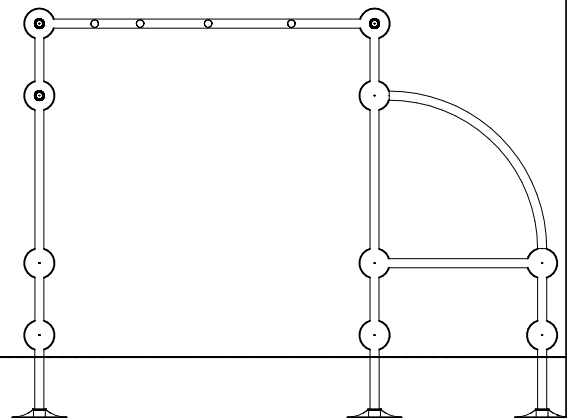
(B)

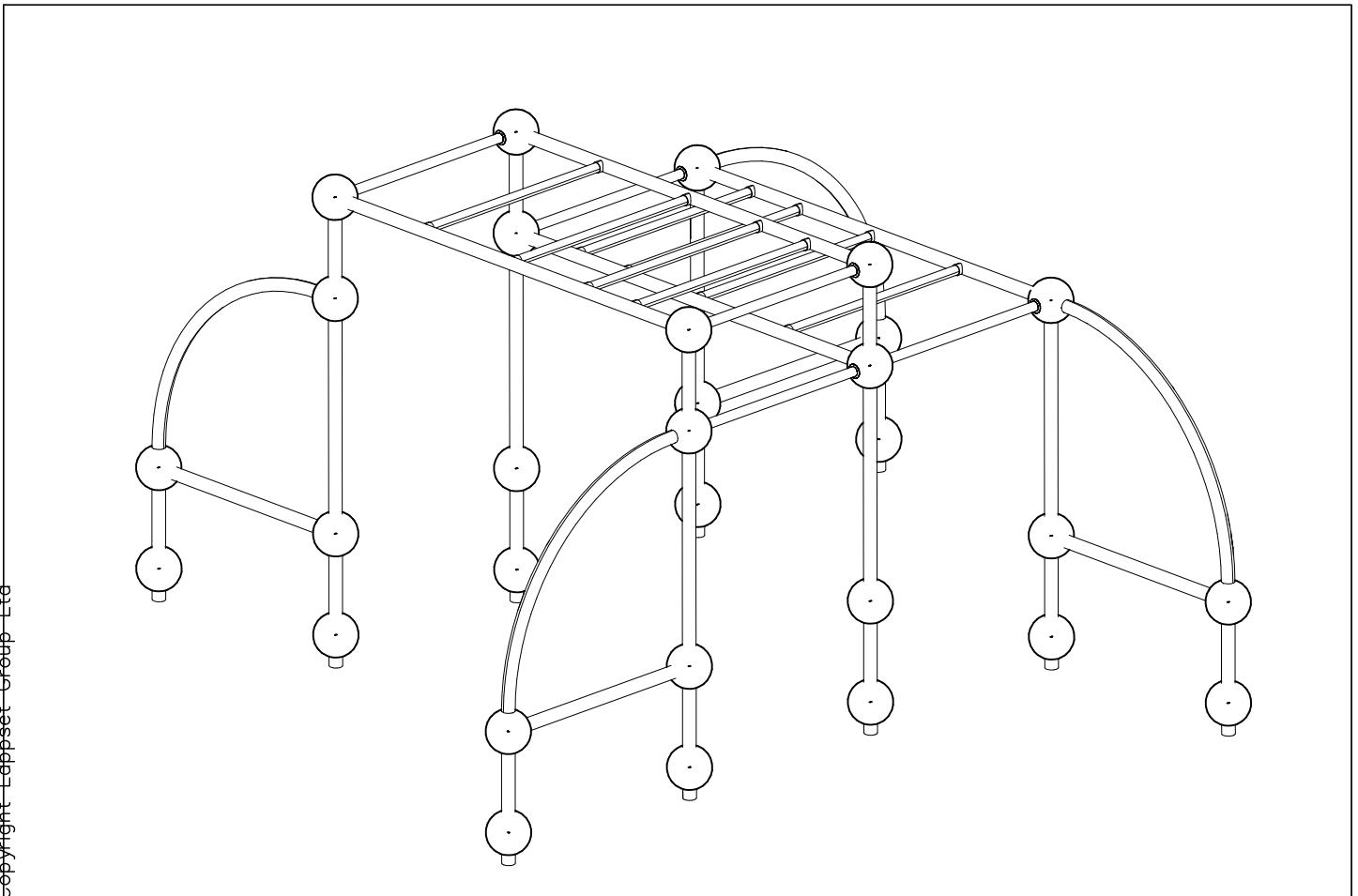
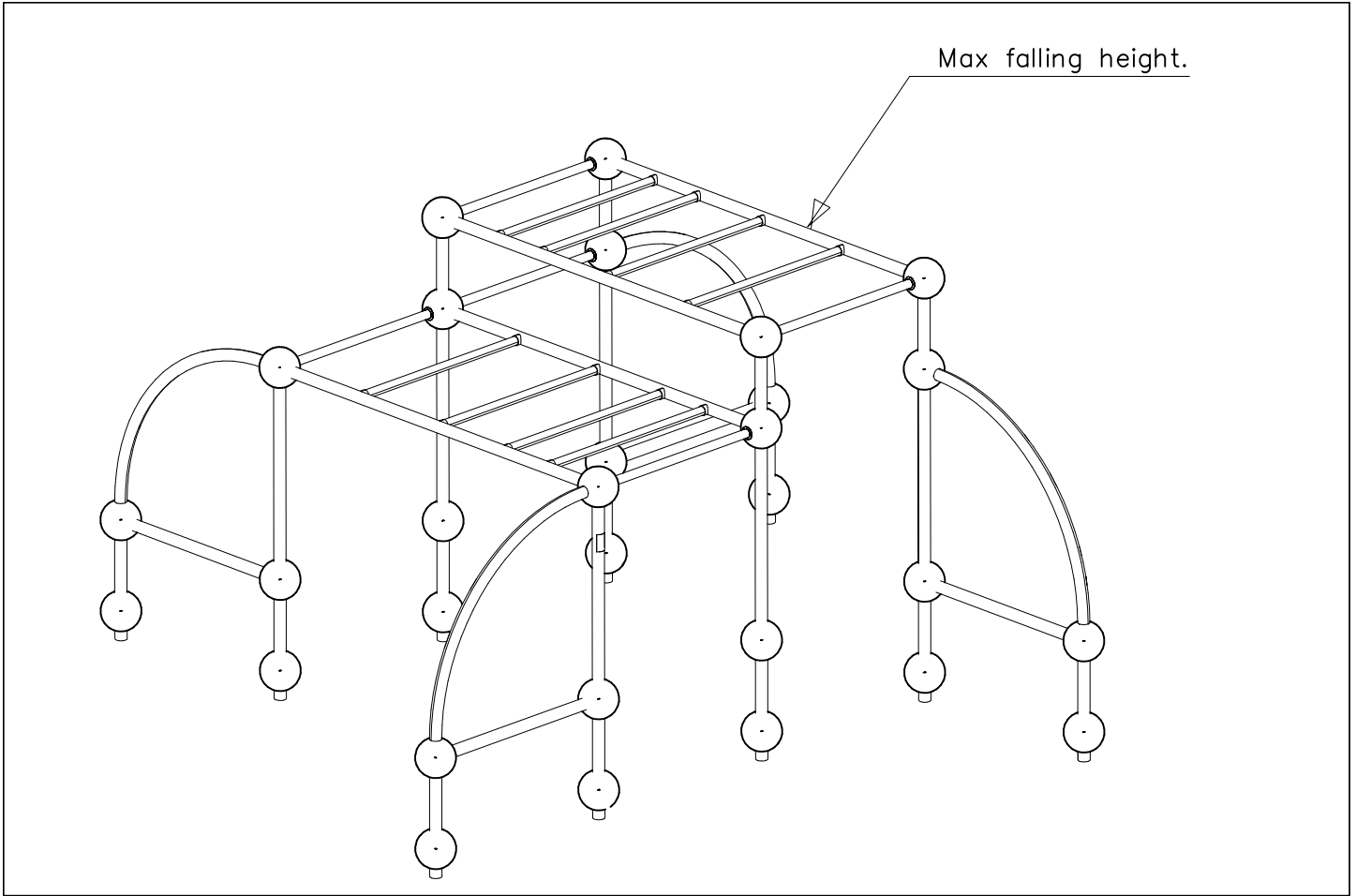


(C)



(D)



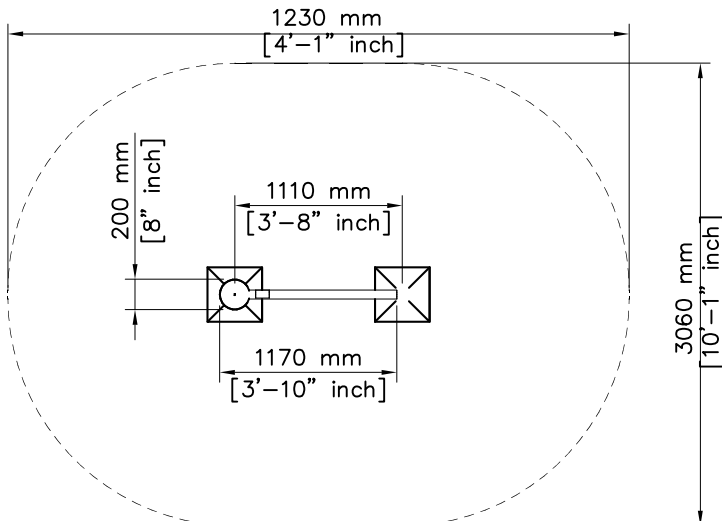
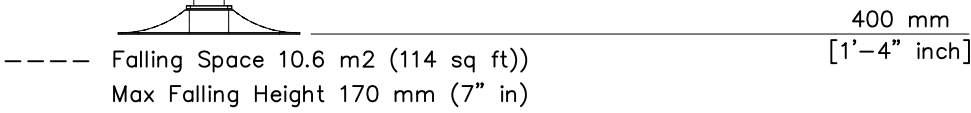
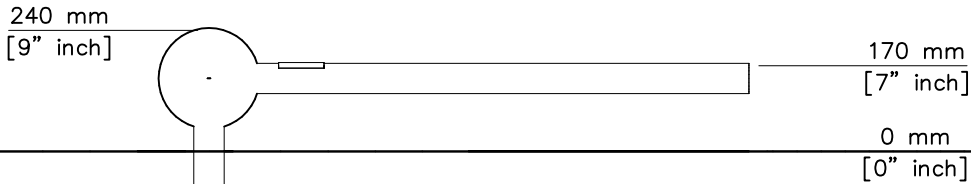
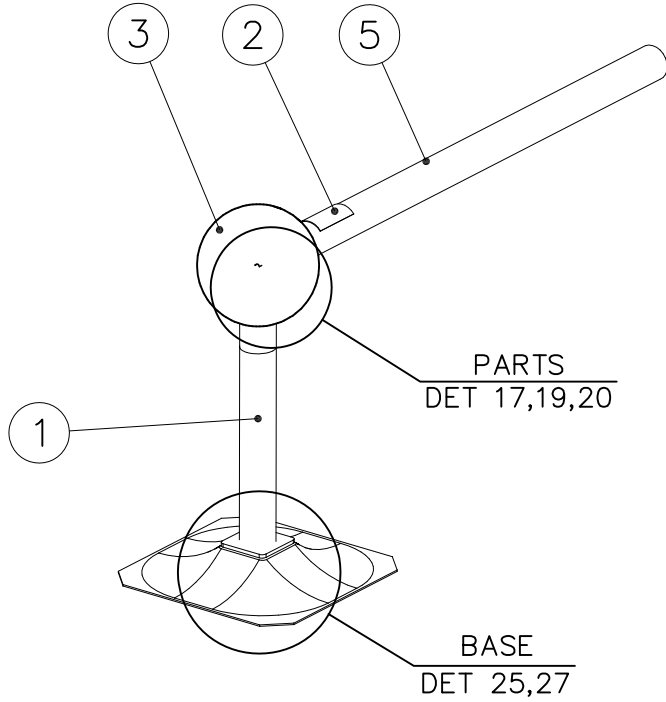


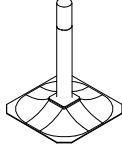

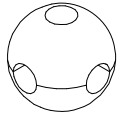

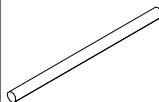
LAPPSET® PARKOUR

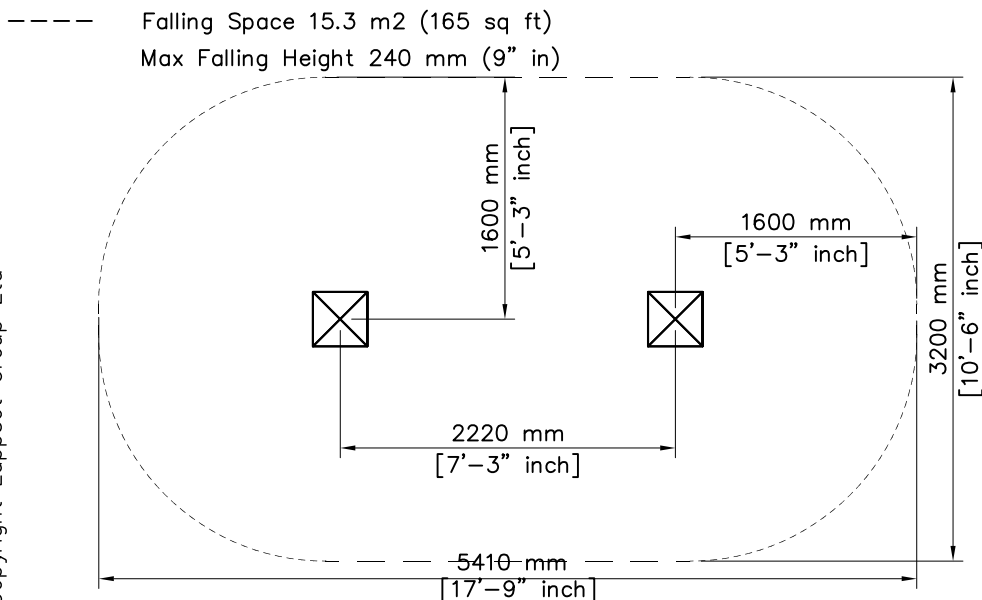
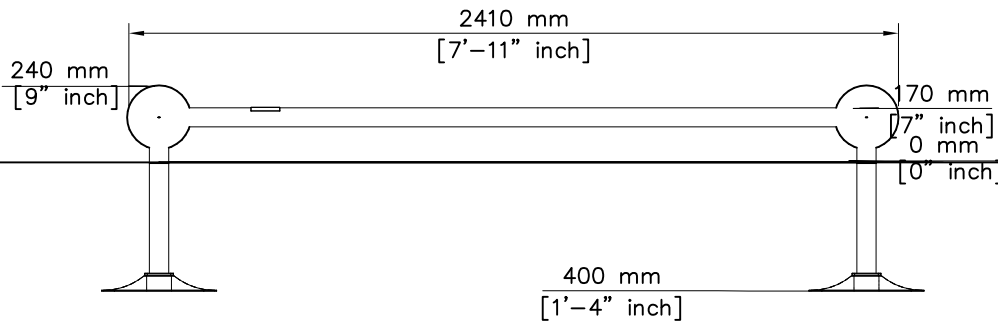
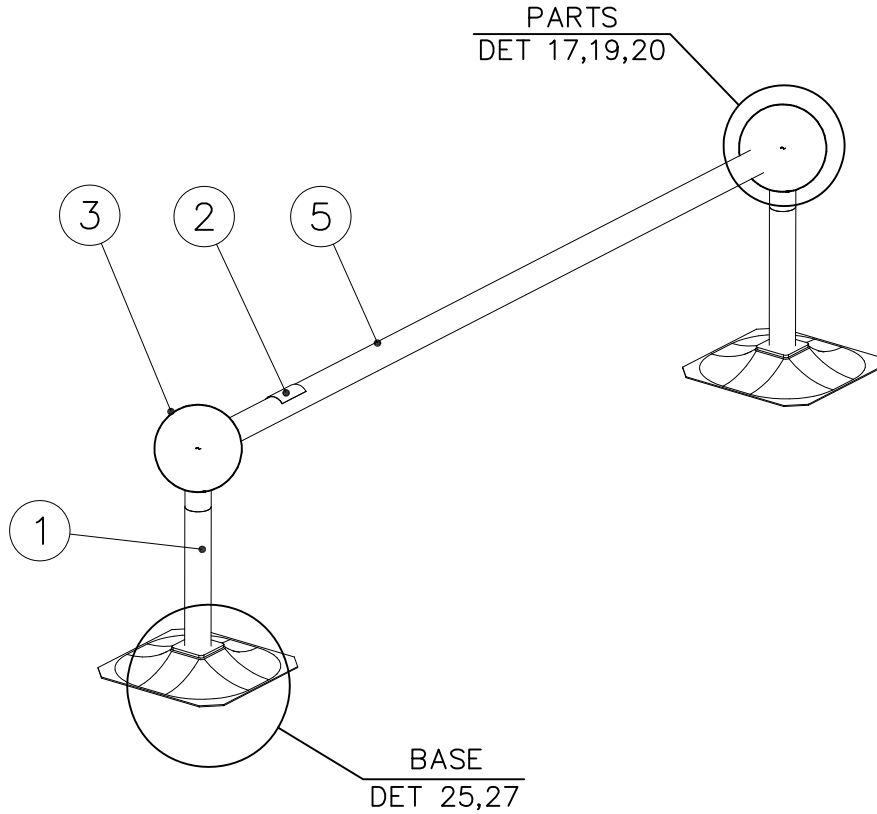
220539

DATE: 22.3.2013

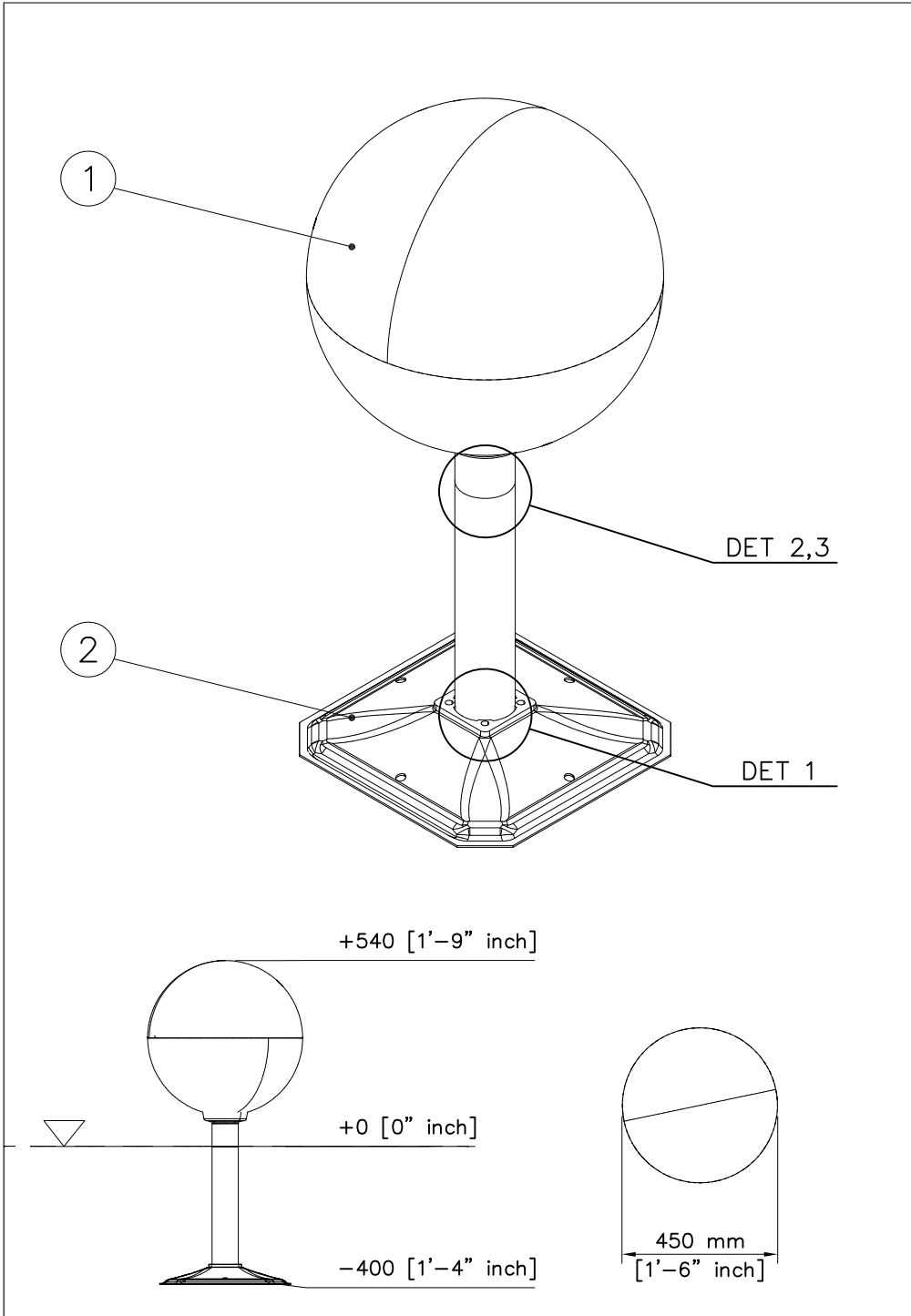
1(1)



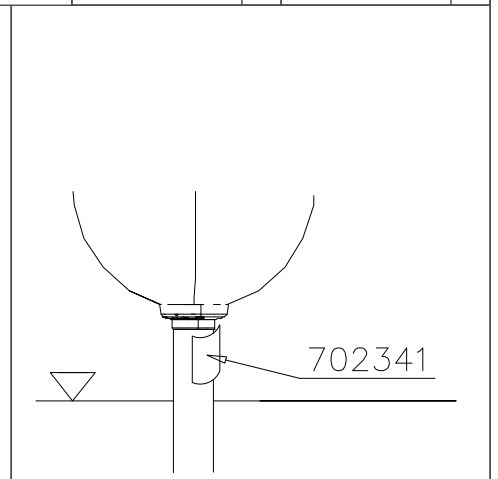
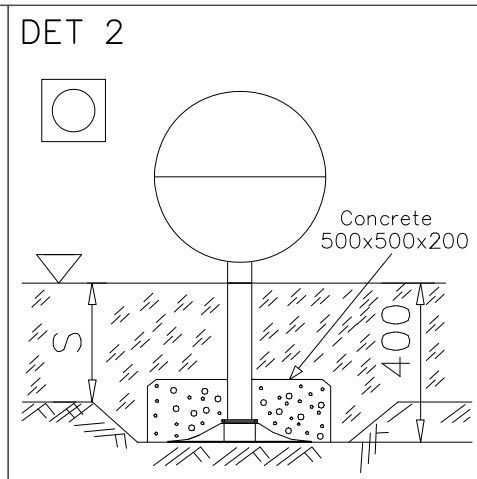
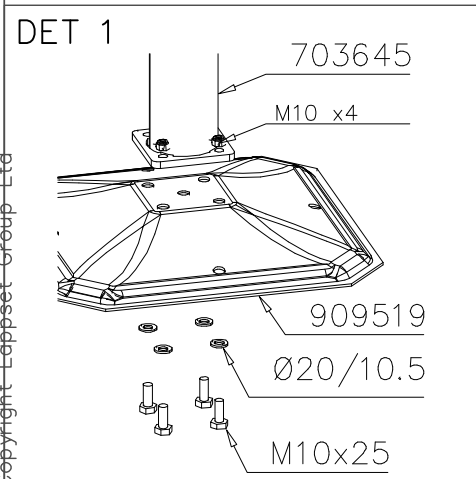
① 701985	PCS	② 702341	PCS
	1		1
		<small>LAPPSET Group Ltd 220539 Part 702341 Rev 01 Date 11.04.2013 Drawn D. J. L. / J. M. / J. M.</small>	
		90x50	
③ 902134	PCS	④ 902157	PCS
	1		4
		60x60x2	
⑤ 902424	PCS		PCS
	1		
L 1034			
	PCS		PCS
	PCS		PCS
	PCS		PCS
	PCS		PCS



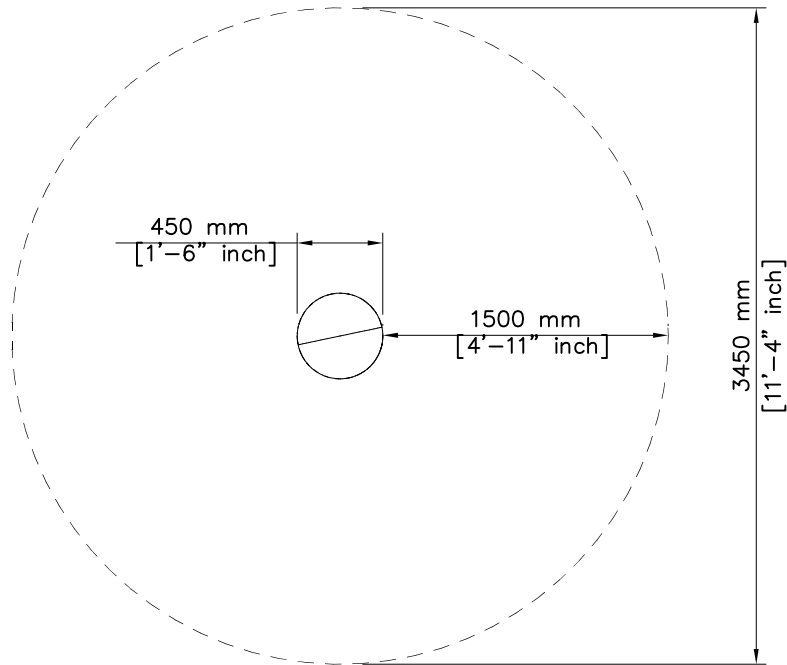
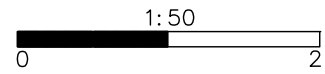
① 701985	PCS	② 702341	PCS
	2		1
		90x50	
③ 902134	PCS	④ 904747	PCS
	2		8
		60x60x2	
⑤ 904130	PCS		PCS
	1		
L 2148			
	PCS		PCS
	PCS		PCS
	PCS		PCS
	PCS		PCS



① 703645	PCS	② 909519	PCS
	1		1
		380x380	
③ 909638	PCS	④ 909639	PCS
	4		4
Ø20/10.5		M10x25	
⑤ 702341	PCS	⑥ 909637	PCS
	1		4
		M10	
	PCS		PCS
	PCS		PCS
	PCS		PCS



----- Falling Space 9.3 m² (100 sq ft)
Max Falling Height 540 mm (1'-9" in)



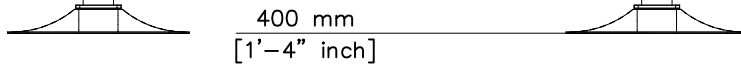
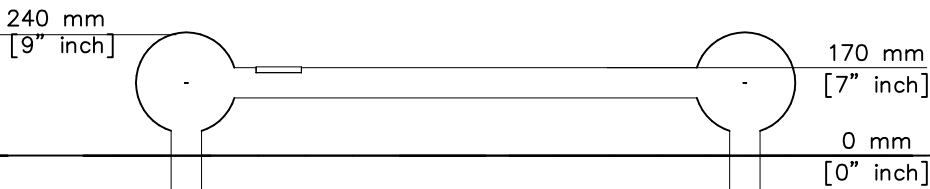
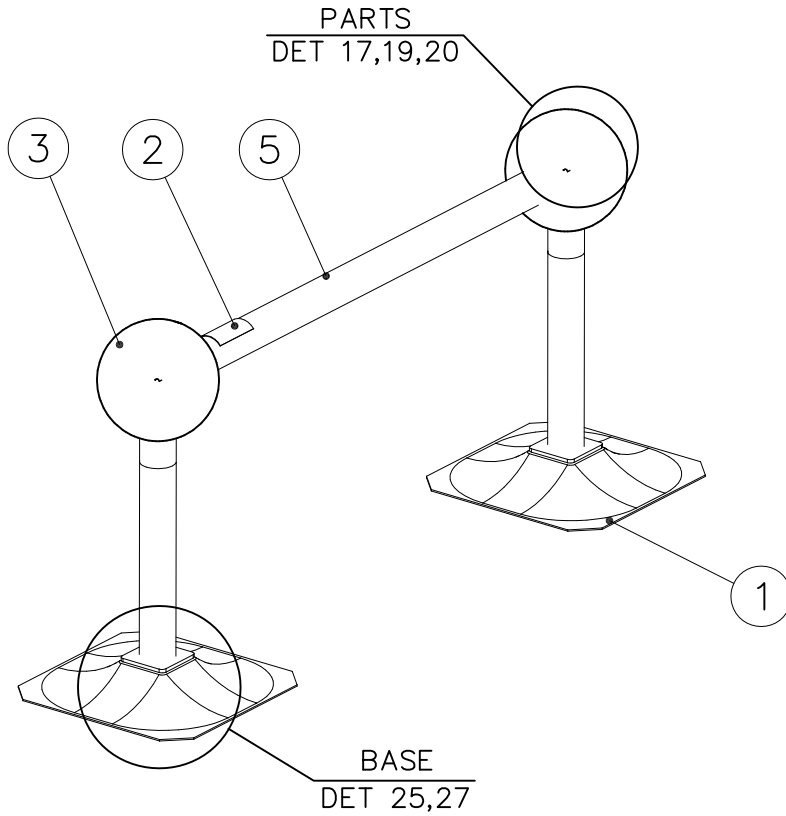
LAPPSET®

PARKOUR

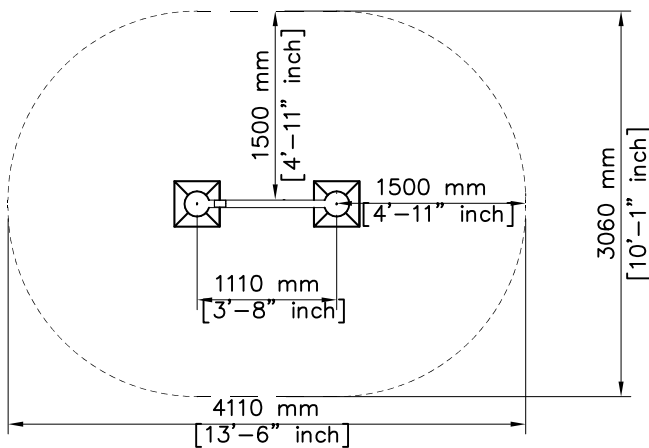
220540

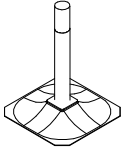

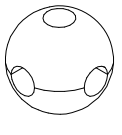
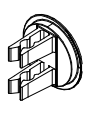
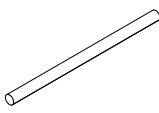
DATE: 22.3.2013

1(1)



Falling Space 10.6 m² (114.1 sq ft)
Max Falling Height 170mm (7" in)



① 701985	PCS	② 702341	PCS
	2		1
		90x50	
③ 902134	PCS	④ 902157	PCS
	2		8
		60x60x2	
⑤ 902424	PCS		PCS
	1		
L 1034			
	PCS		PCS
	PCS		PCS
	PCS		PCS
	PCS		PCS
	PCS		PCS

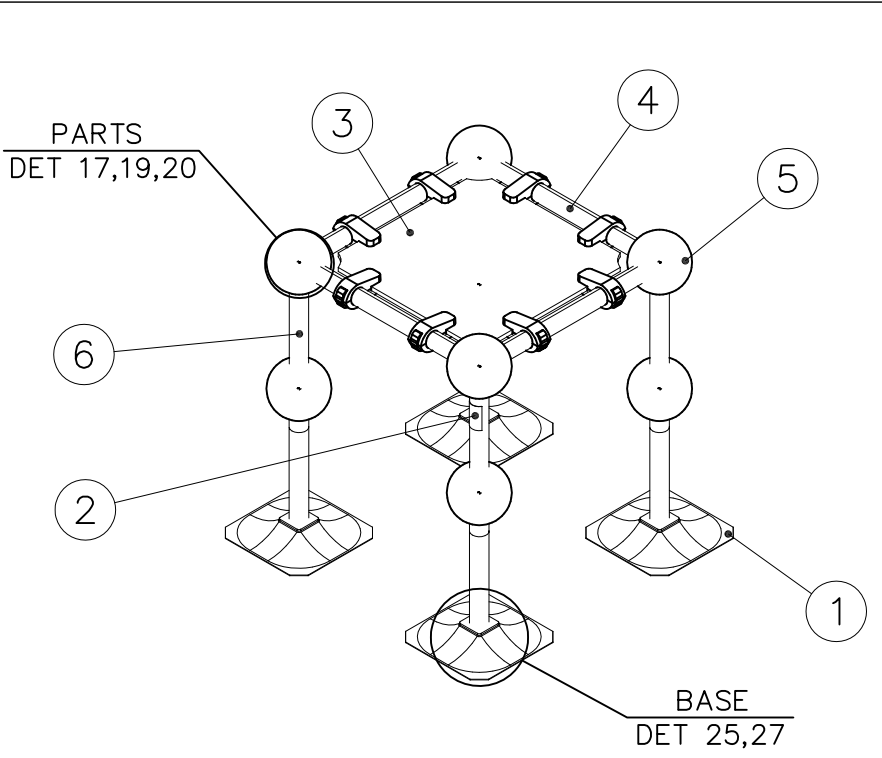
LAPPSET®

PARKOUR

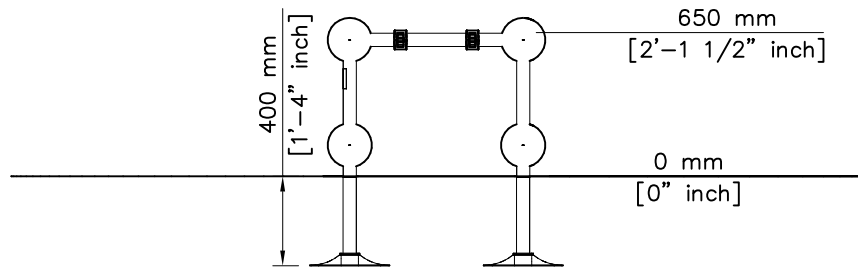
220503

DATE: 20.2.2015

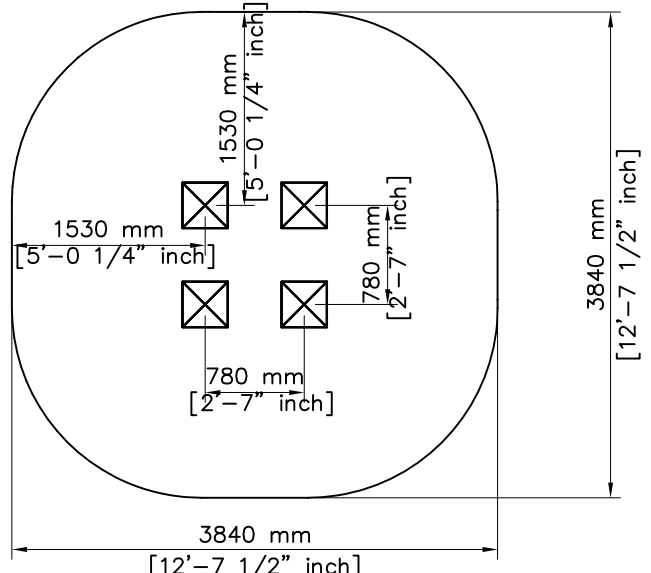
1(1)



① 701985	PCS	② 702341	PCS
	4		1
		90x50	
③ 702056	PCS	④ 902022	PCS
	1		4
		L 710	
⑤ 902134	PCS	⑥ 904132	PCS
	8		4
		L 400	
⑦ 904747	PCS		PCS
	28		
60x60x2			
	PCS		PCS
	PCS		PCS
	PCS		PCS
	PCS		PCS



—— EN Impact Area 12.8 m² (137.8 sq ft)
 - - - Falling Space 12.8 m² (137.8 sq ft)
 Max Falling Height 650 mm (2'-1 1/2" in)



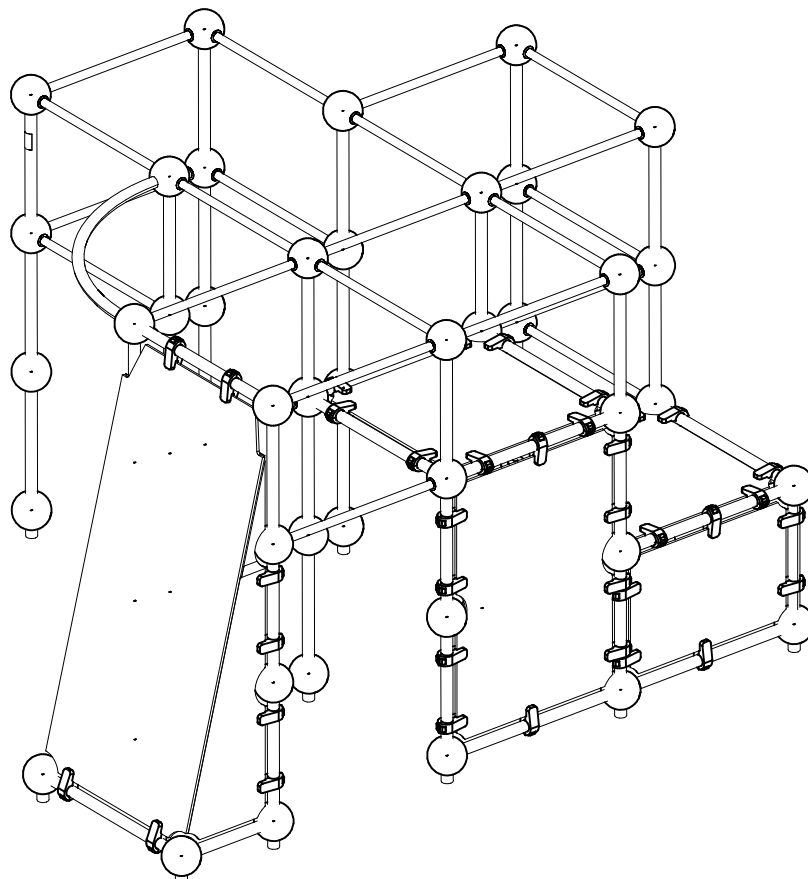
LAPPSET®

PARKOUR

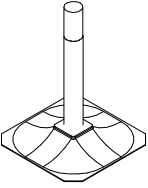


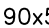
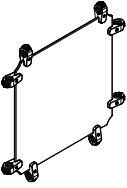

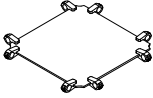

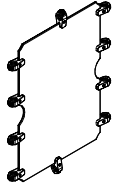

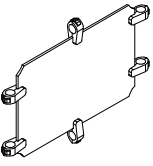



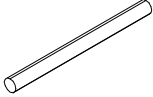
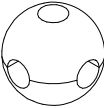

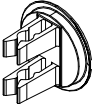

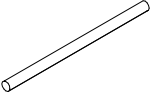
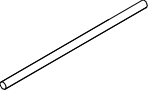

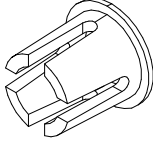
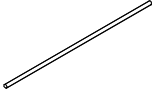
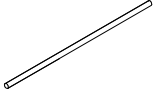
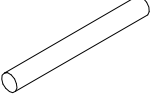
ASENNUSOHJE
MONTERINGSANSVISNING
INSTALLATION INSTRUCTION
AUFBAUANLEITUNG
NOTICE D'INSTALLATION

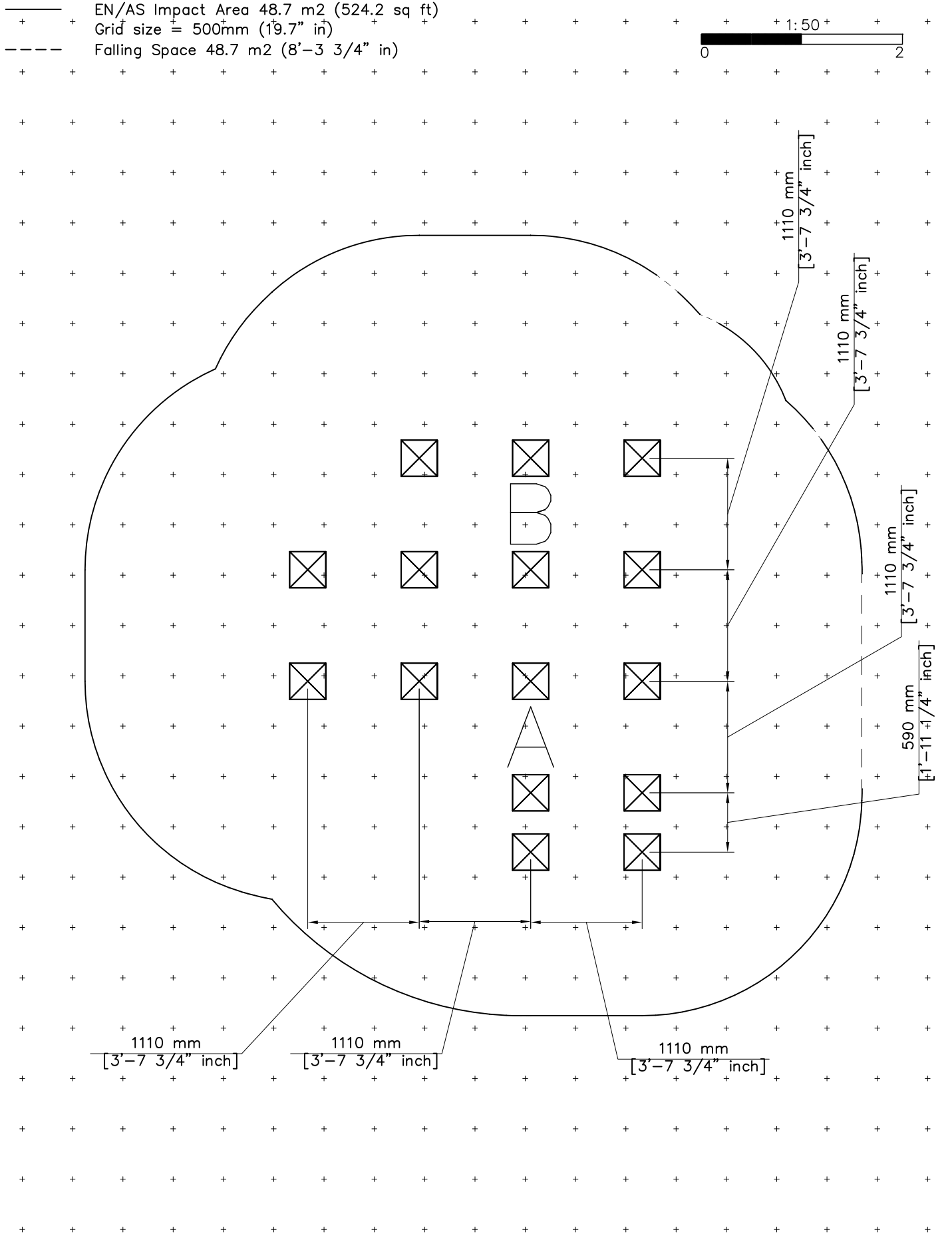
DATE: 23.2.2015

220524

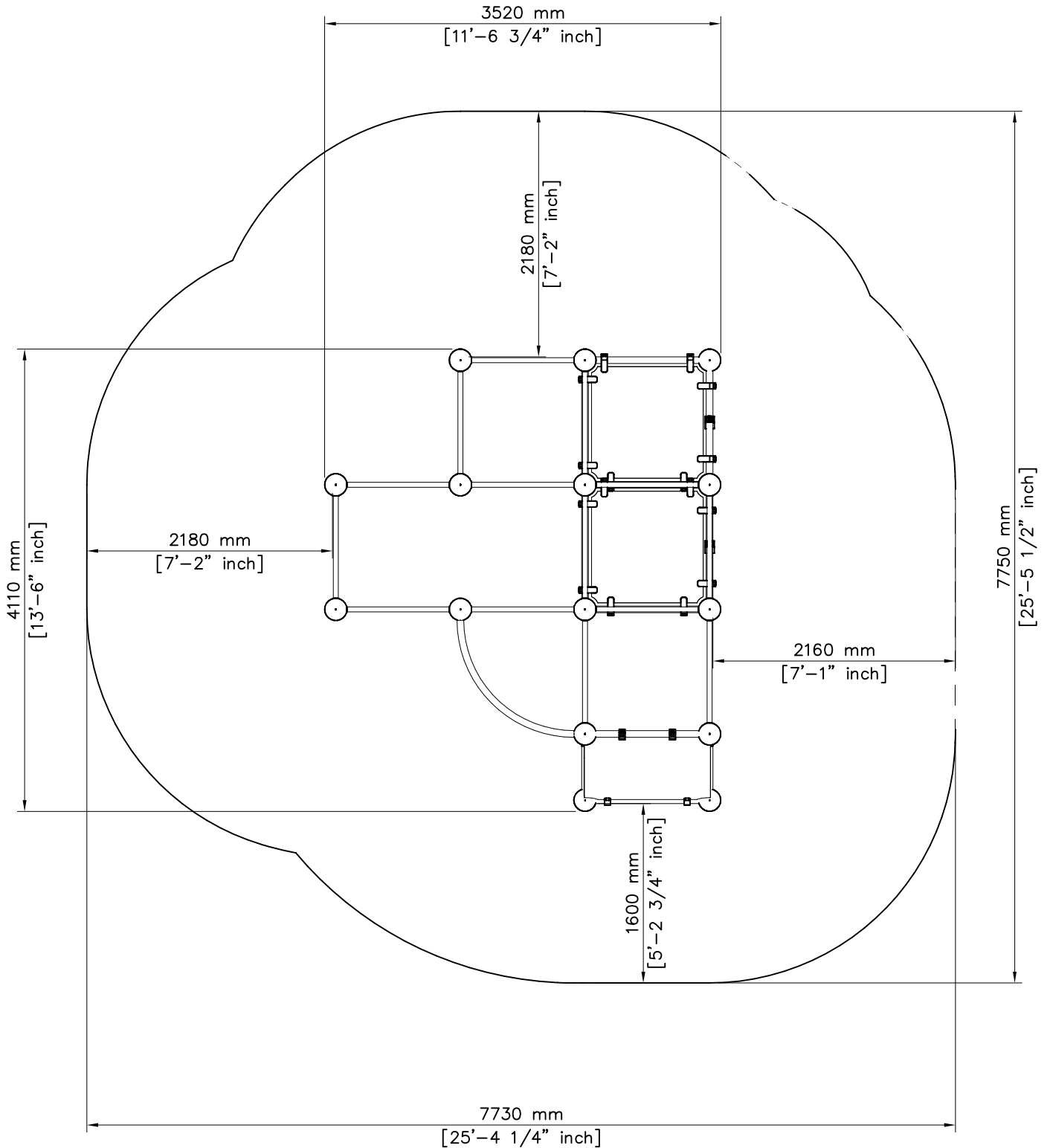
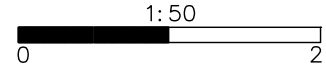


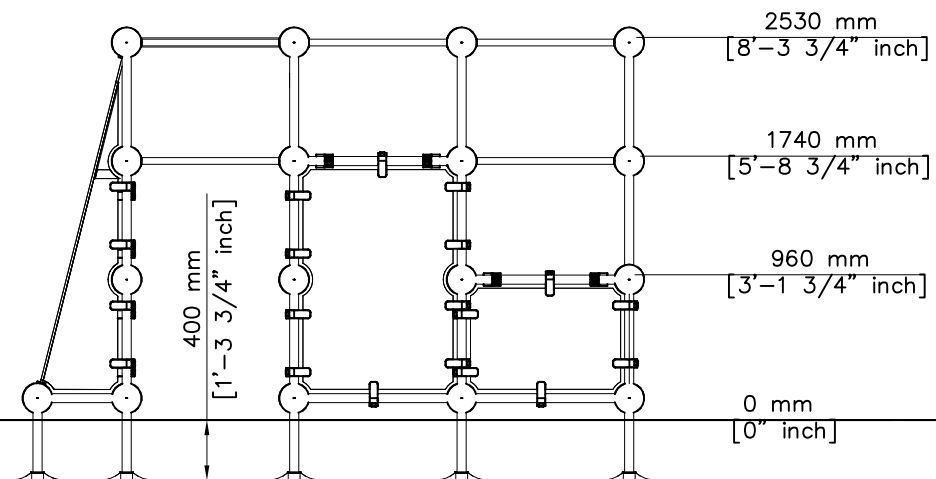
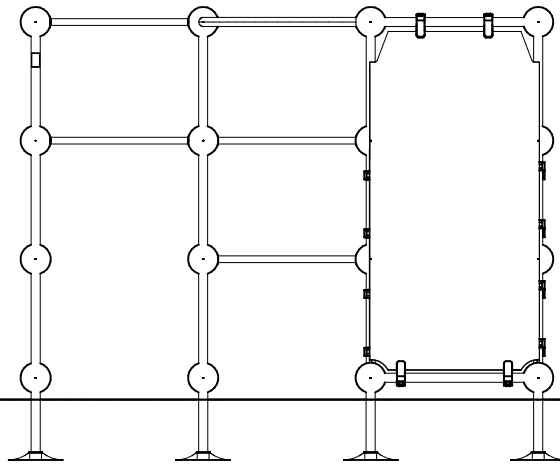
DATE: 23.2.2015

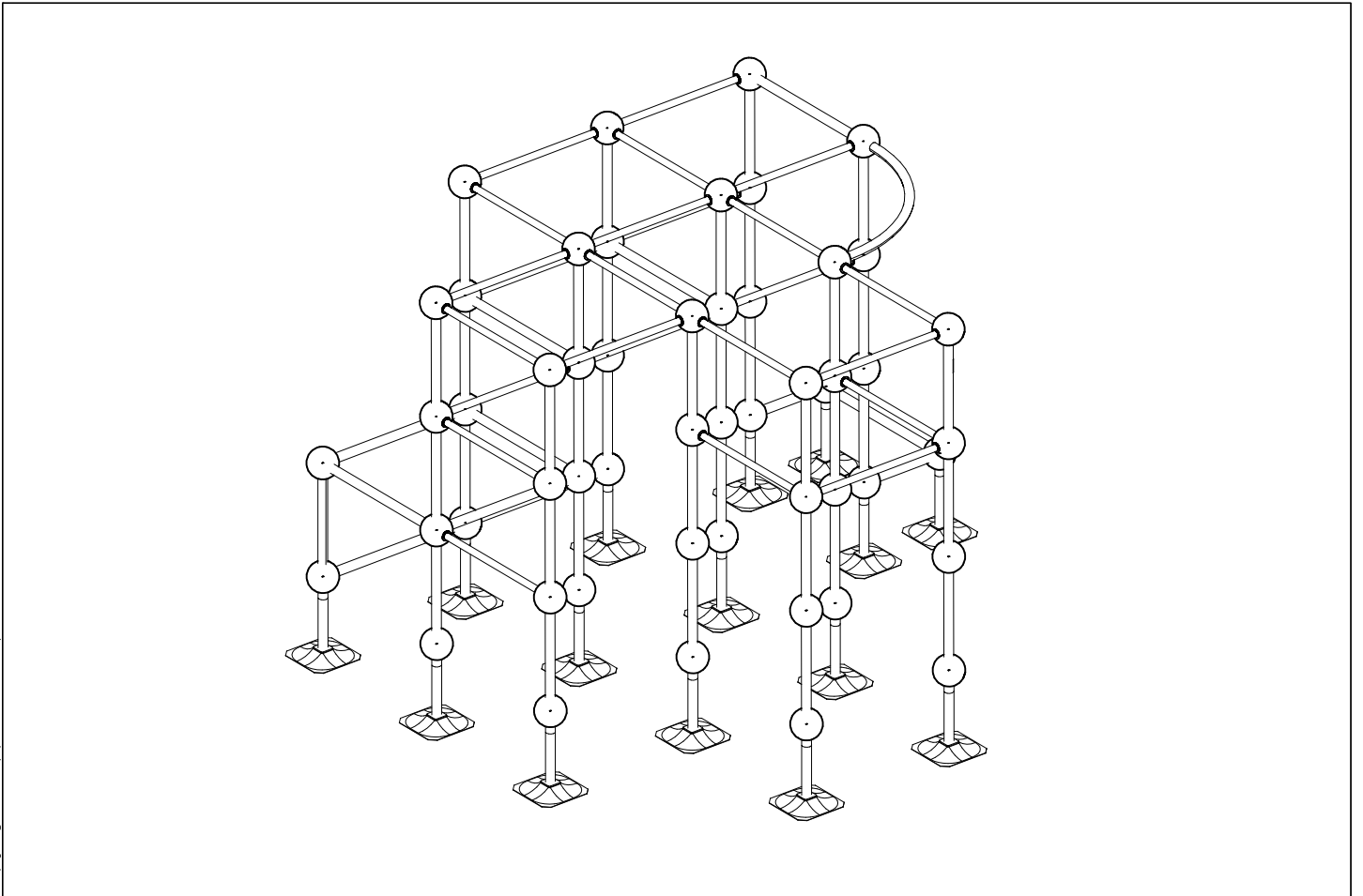
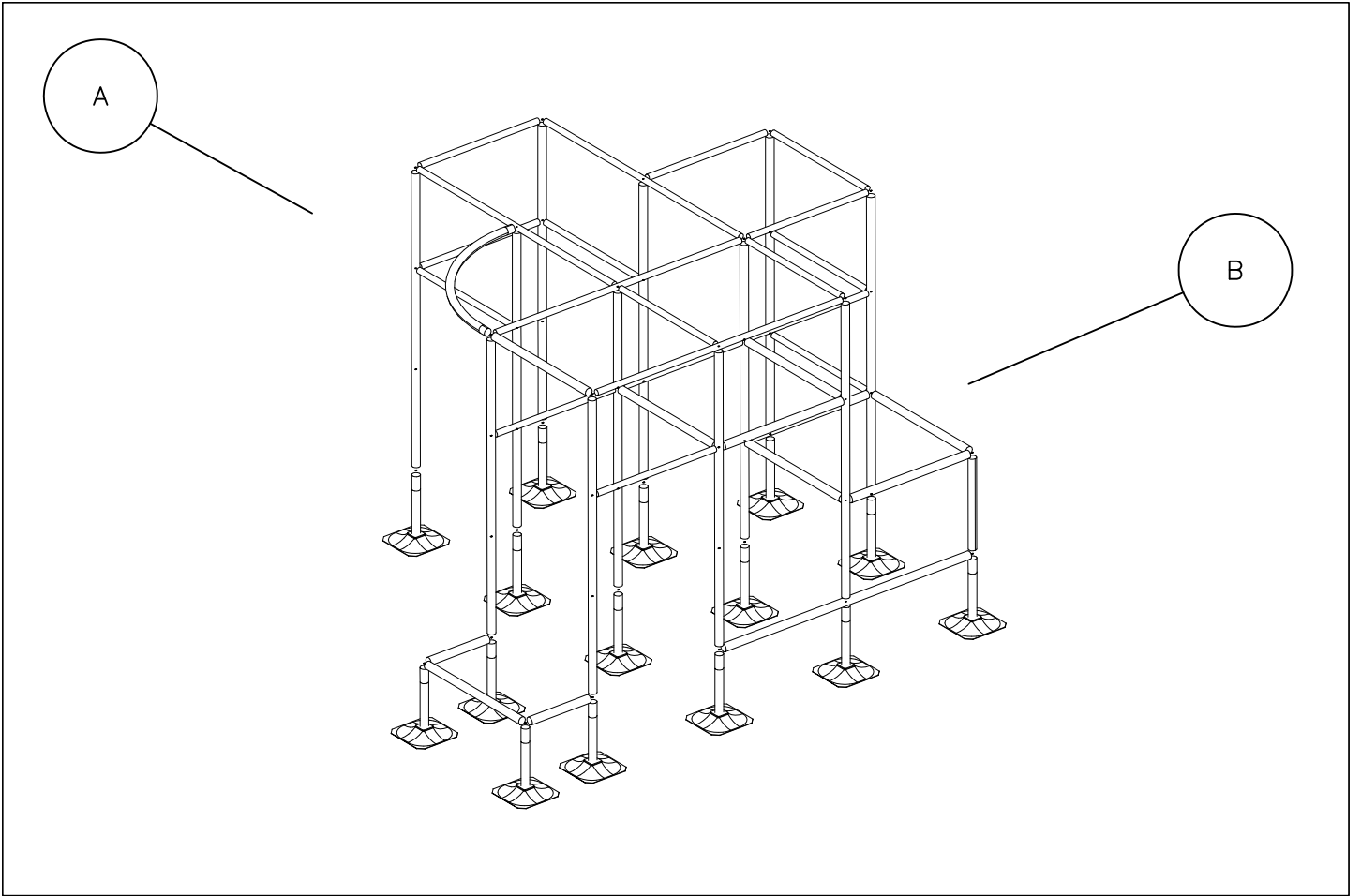
<p>701985</p>  <p>PCS 15</p> 	<p>702341</p>  <p>PCS 1</p> <p>90x50</p> 	<p>703456</p>  <p>PCS 1</p> 	<p>703459</p>  <p>PCS 1</p> 	<p>703479</p>  <p>PCS 1</p> 	<p>703487</p>  <p>PCS 1</p> 
<p>703901</p>  <p>PCS 1</p> 	<p>902022</p>  <p>PCS 1</p> <p>L 710</p>	<p>902134</p>  <p>PCS 52</p> 	<p>904747</p>  <p>PCS 149</p> <p>60x60x2</p>	<p>902418</p>  <p>PCS 1</p>	<p>902424</p>  <p>PCS 10</p> <p>L 1034</p>
<p>904015</p>  <p>PCS 14</p> <p>Ø44.5x1034</p>	<p>904032</p>  <p>PCS 12</p> <p>L 2278</p>	<p>904100</p>  <p>PCS 44</p> <p>44.5-60.3</p>	<p>904102</p>  <p>PCS 4</p> <p>Ø44.5x2148</p>	<p>904389</p>  <p>PCS 1</p> <p>L 2148</p>	<p>904414</p>  <p>PCS 2</p> <p>L 515</p>
PCS	PCS	PCS	PCS	PCS	PCS
PCS	PCS	PCS	PCS	PCS	PCS
PCS	PCS	PCS	PCS	PCS	PCS
PCS	PCS	PCS	PCS	PCS	PCS



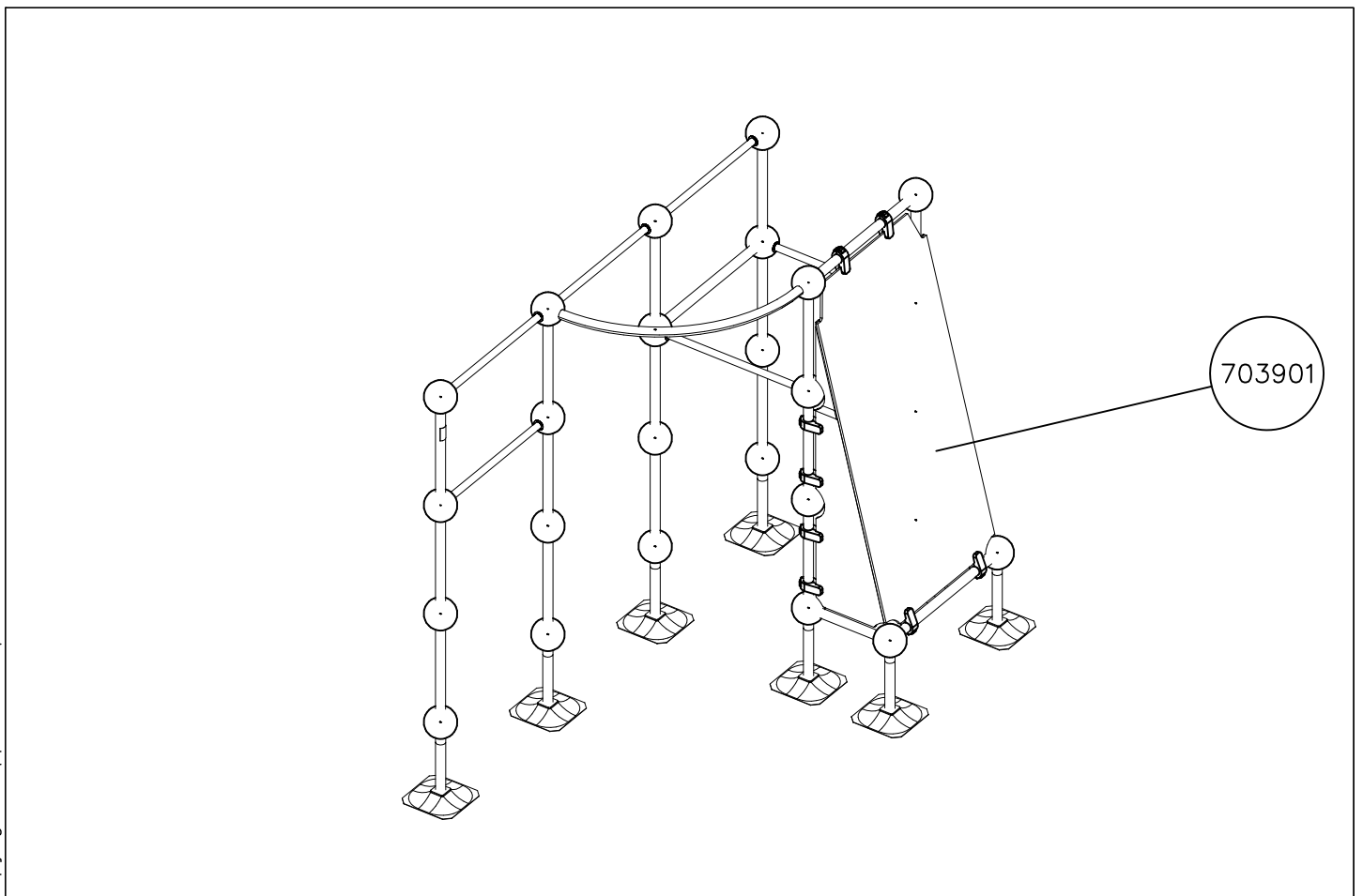
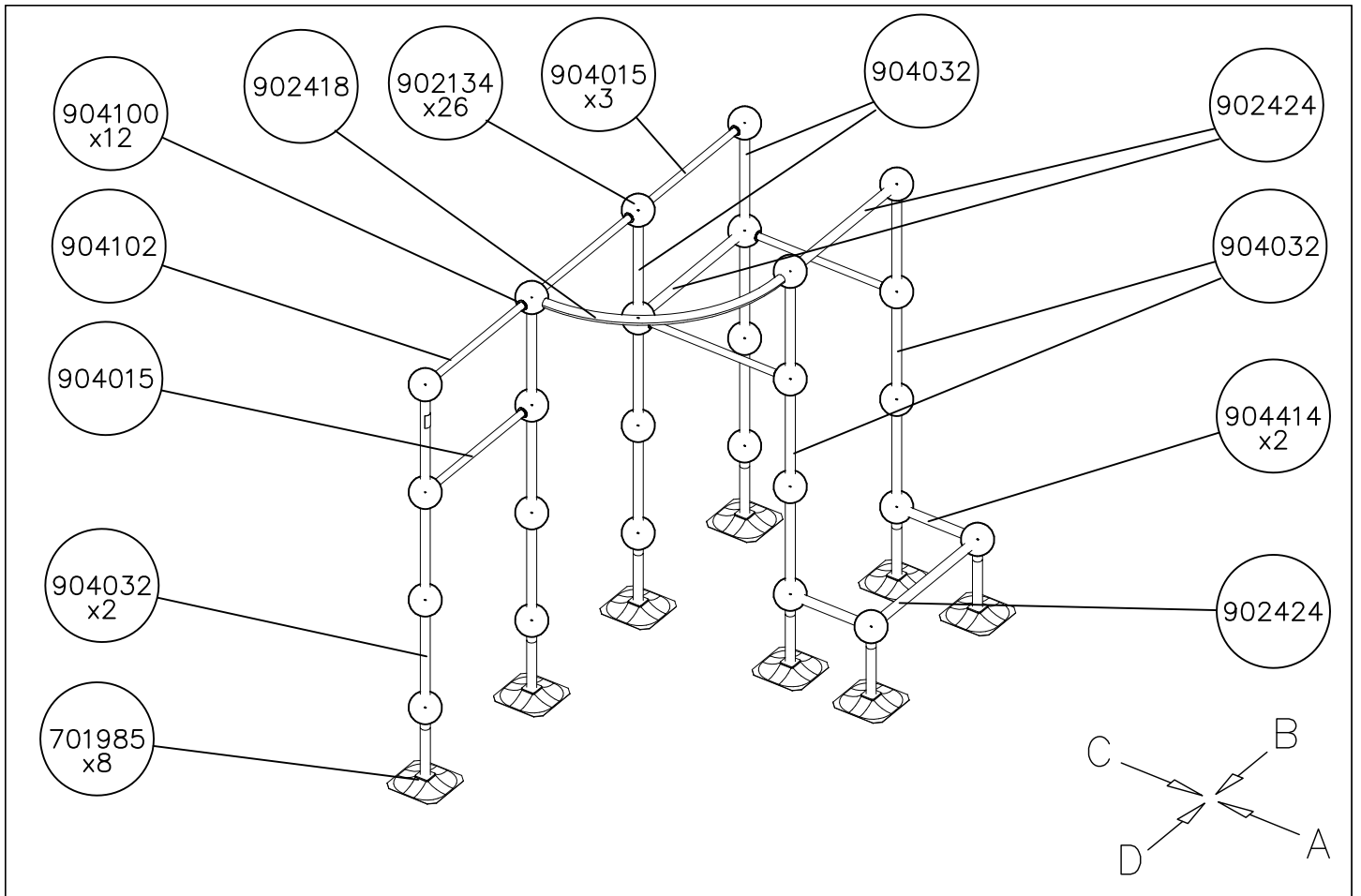
- EN/AS Impact Area 48.7 (524.2 sq ft)
- - - - Falling Space 48.7 m2
- Max Falling Height 2530 mm (8'-3 3/4" in)



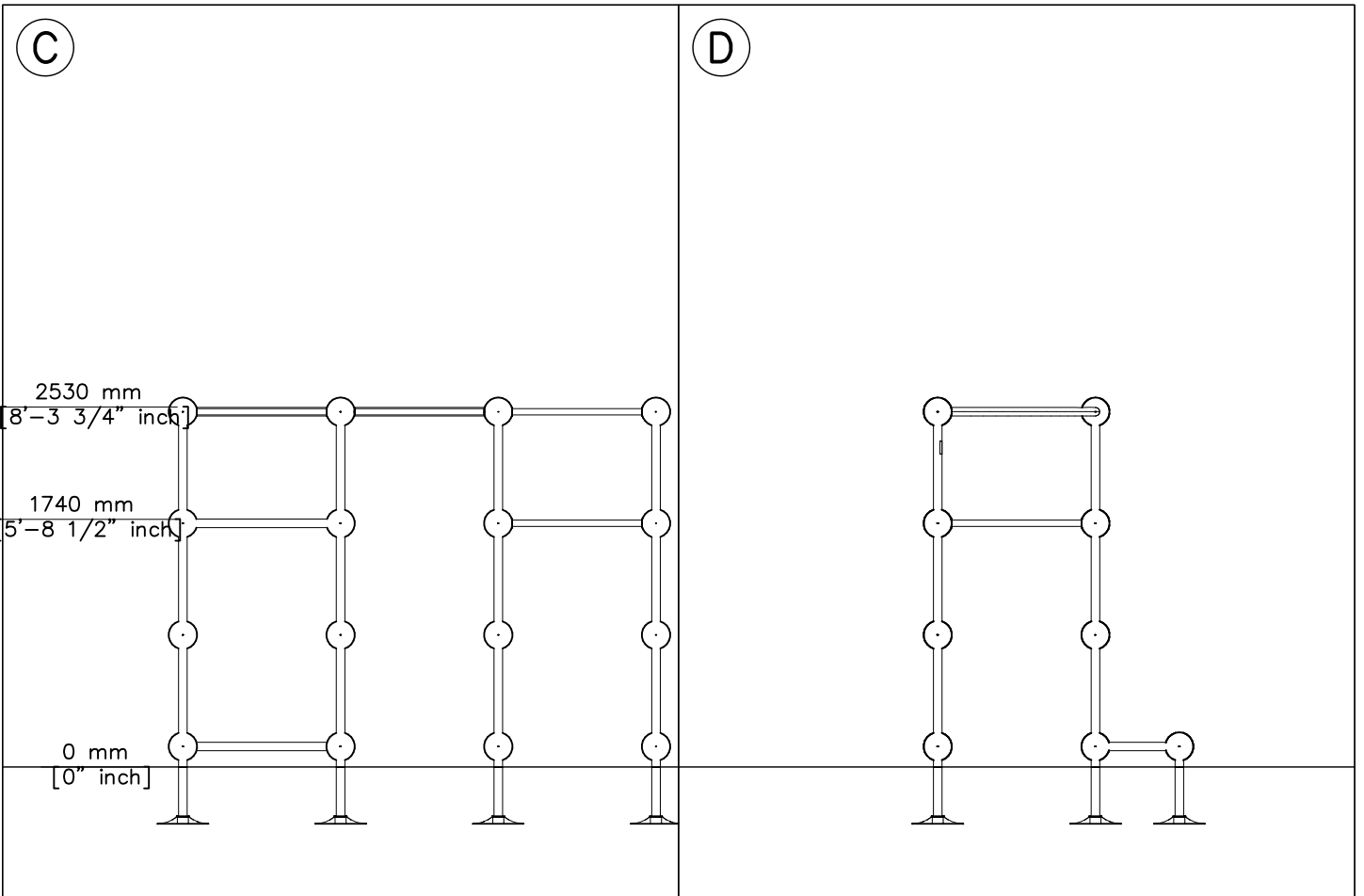
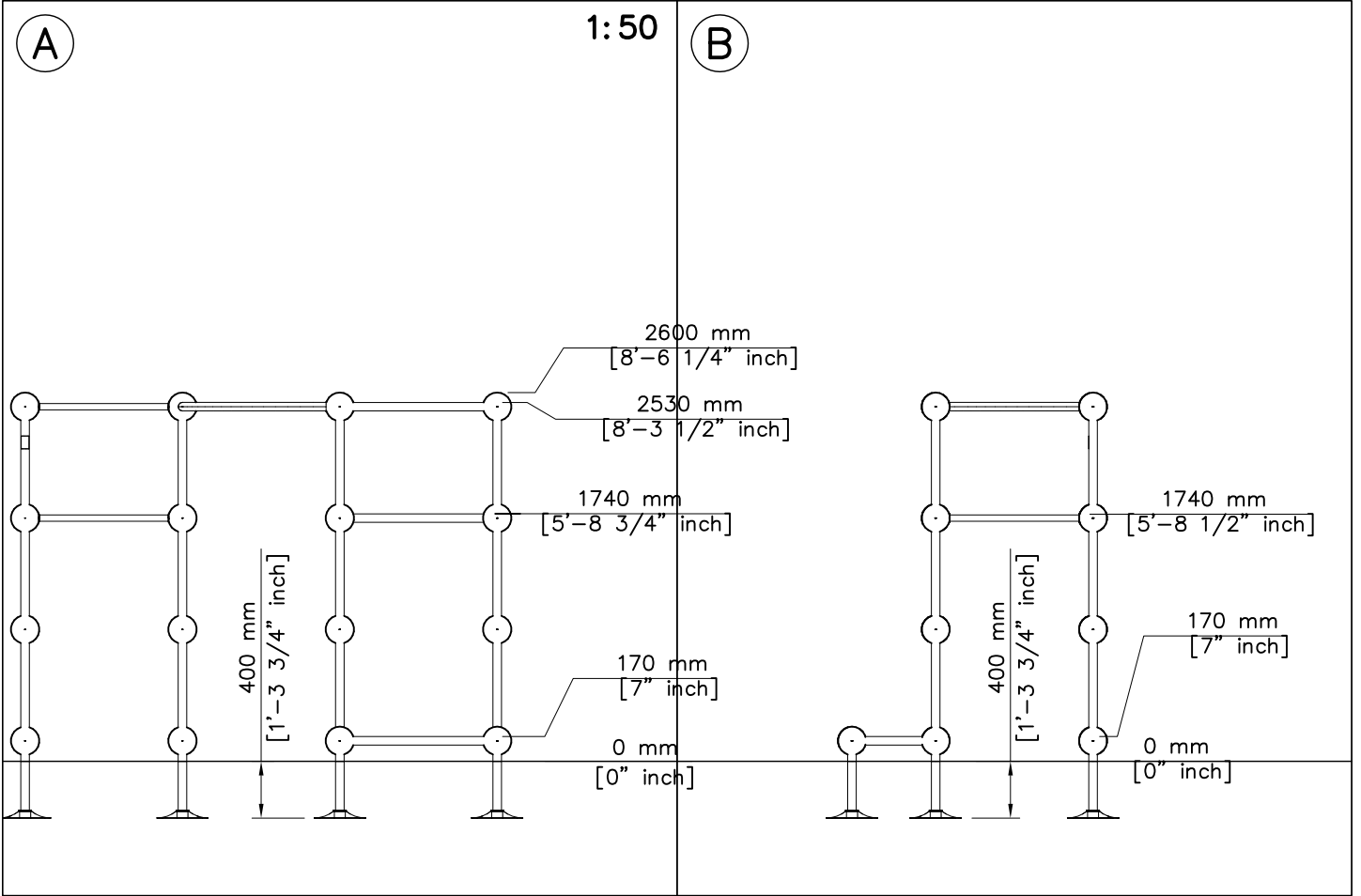




DATE: 23.2.2015

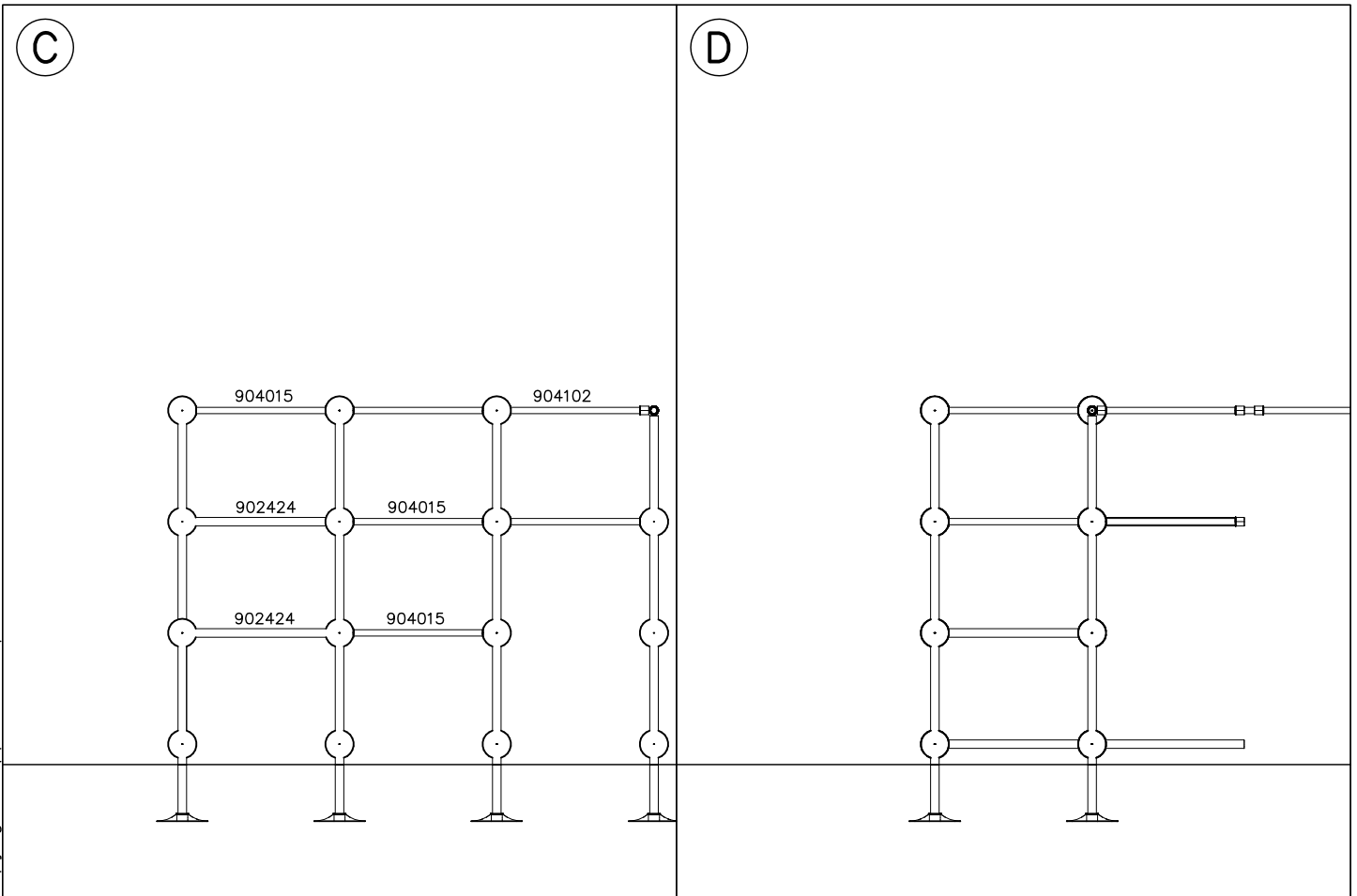
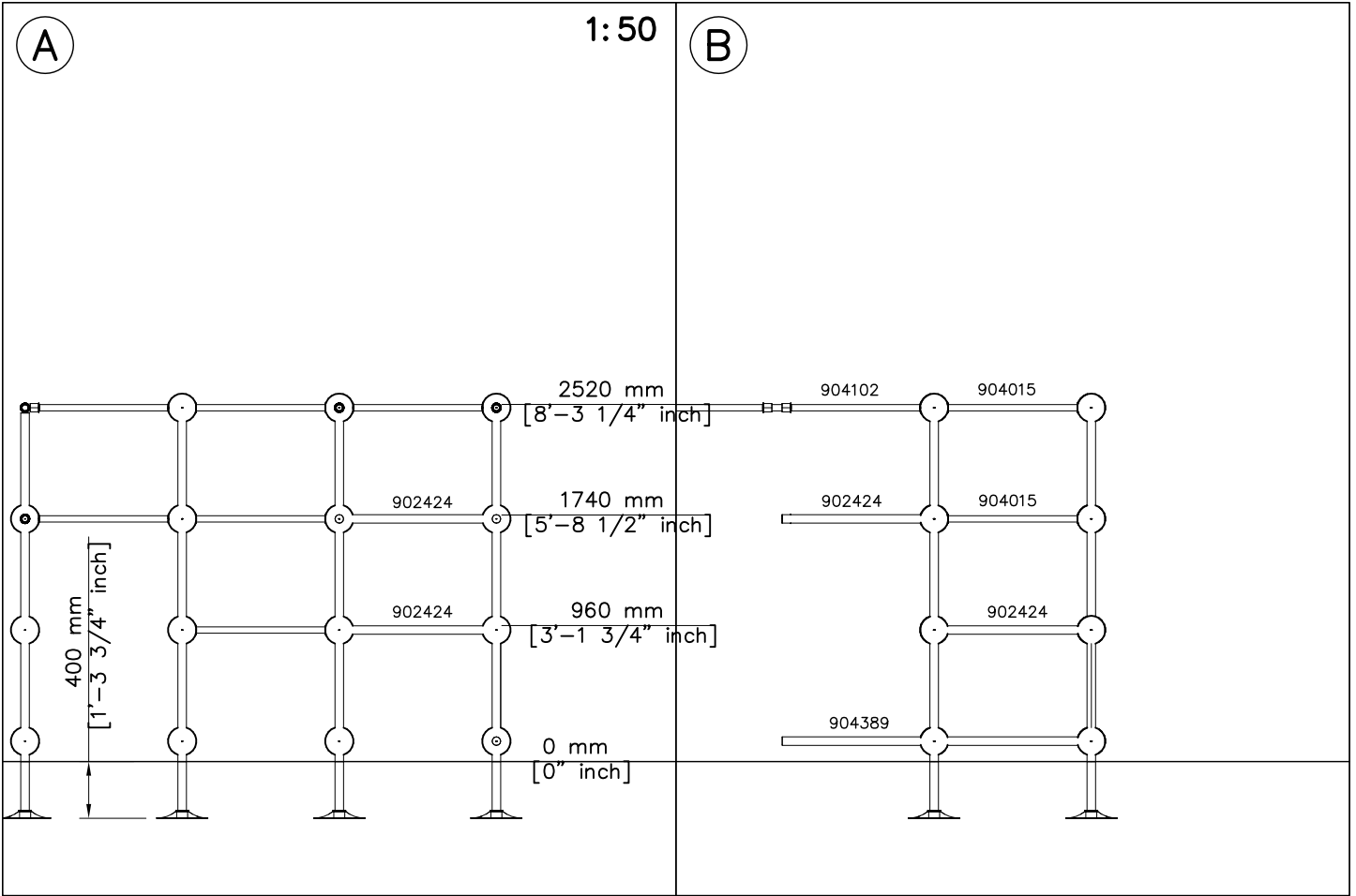


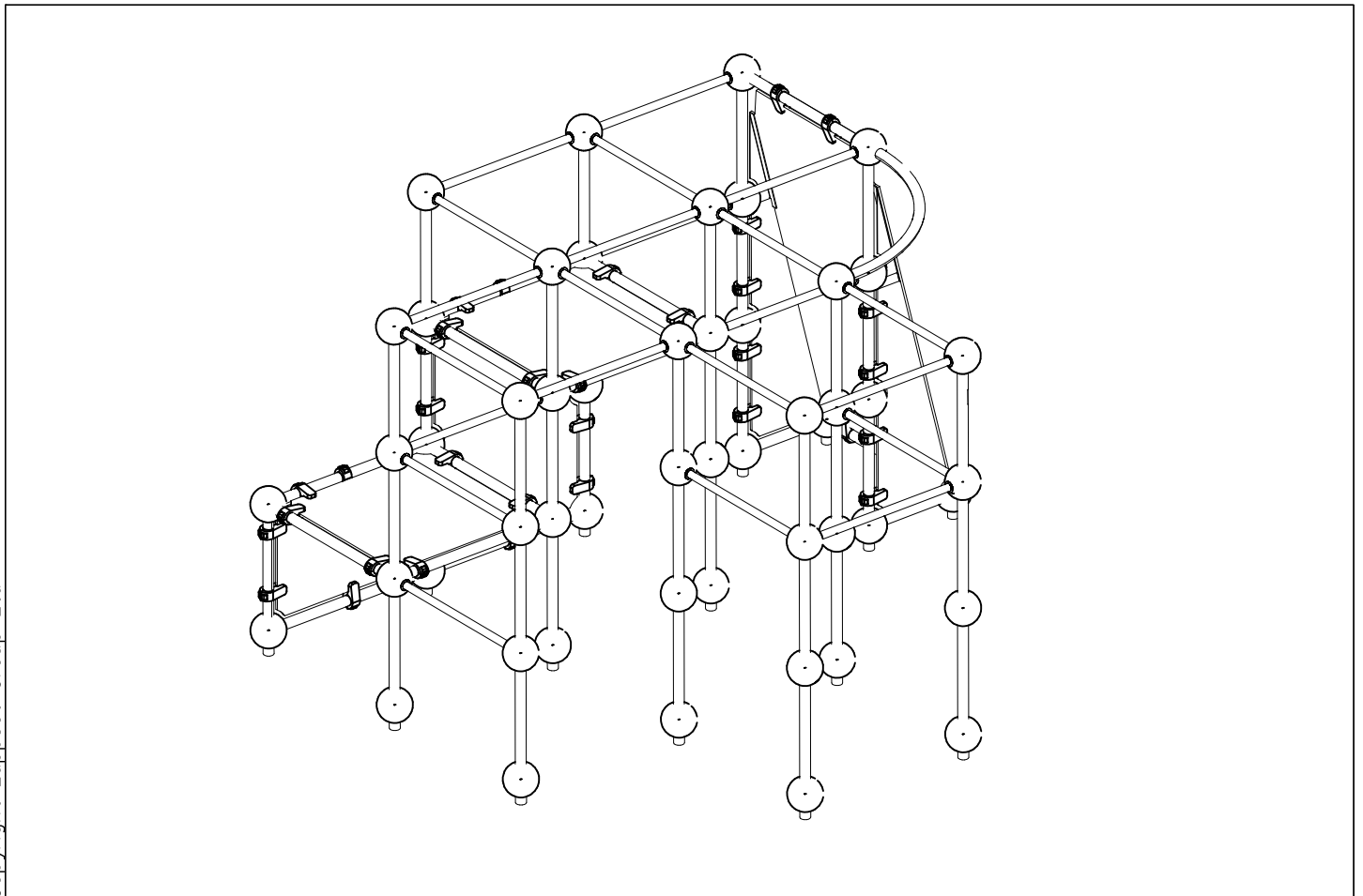
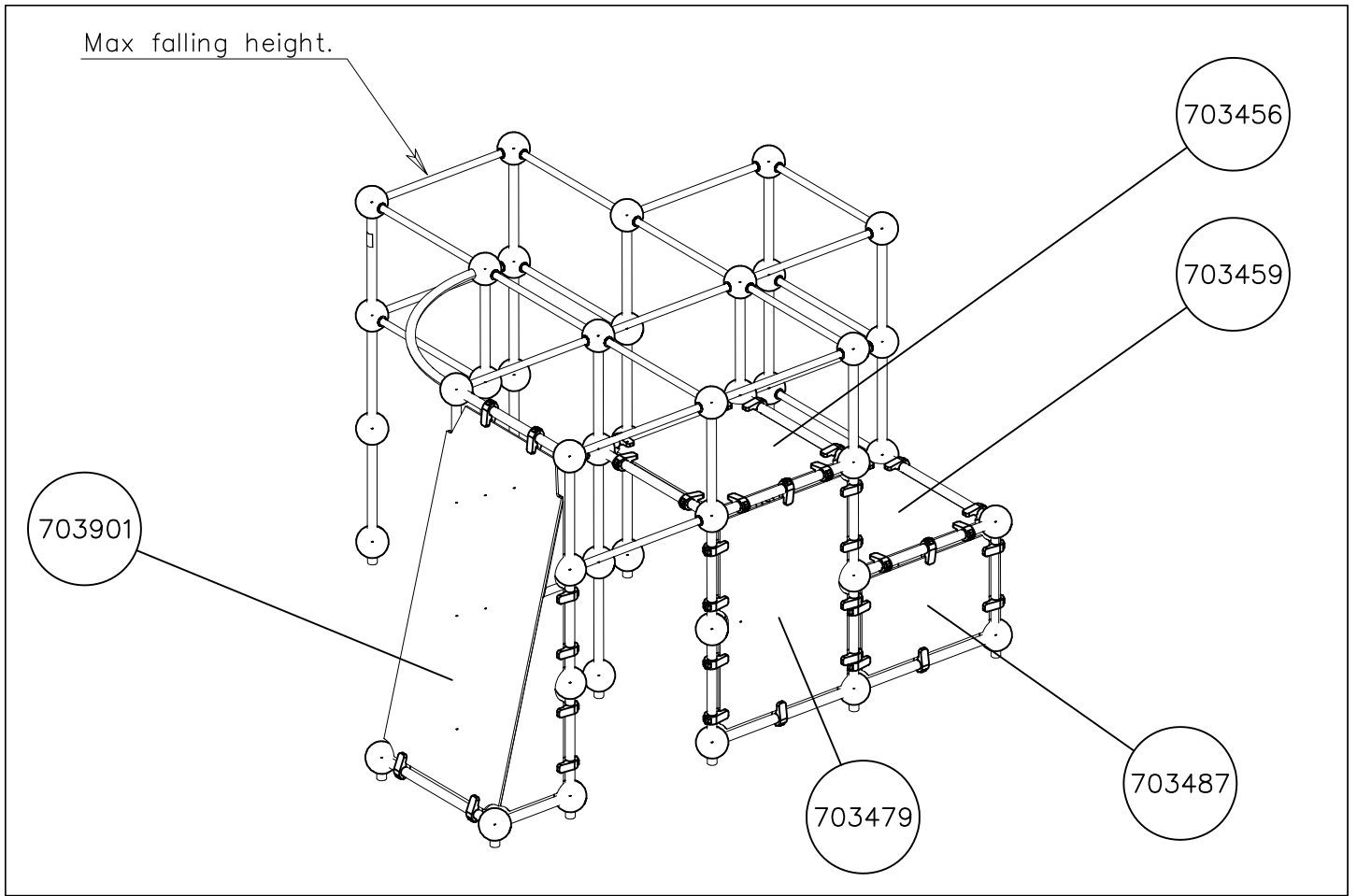
1:50



DATE: 23.2.2015

1:50





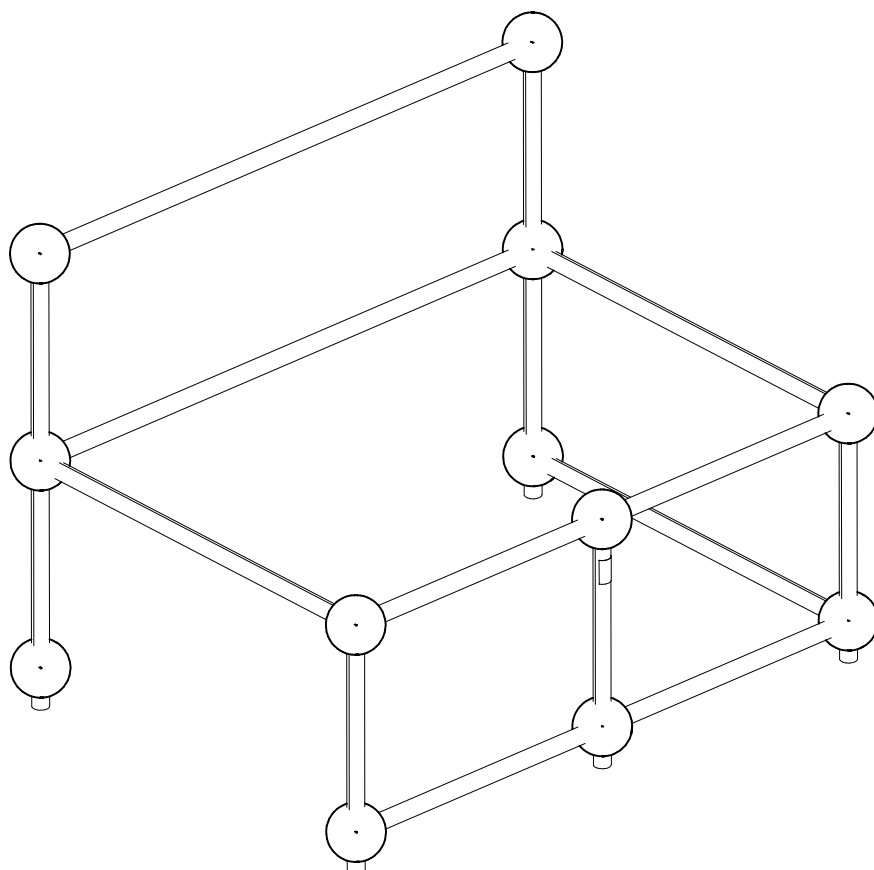
LAPPSET®

PARKOUR

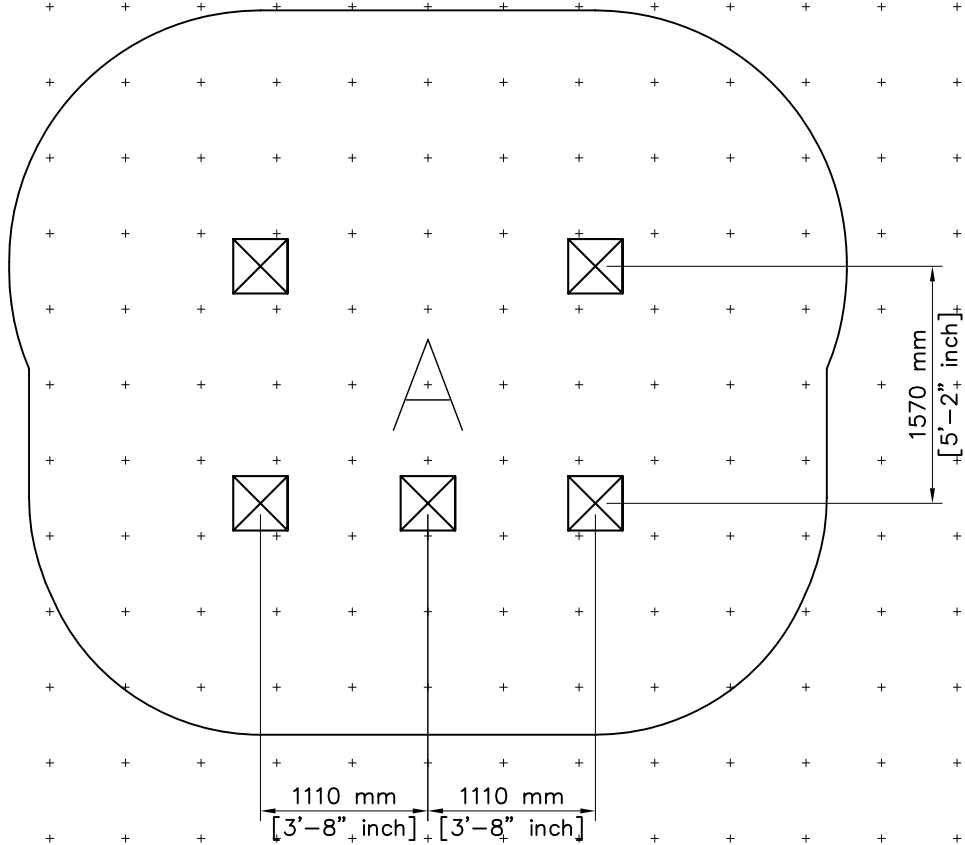
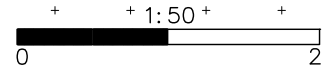
ASENNUSOHJE
MONTERINGSANSVISNING
INSTALLATION INSTRUCTION
AUFBAUANLEITUNG
NOTICE D'INSTALLATION

DATE: 24.2.2015

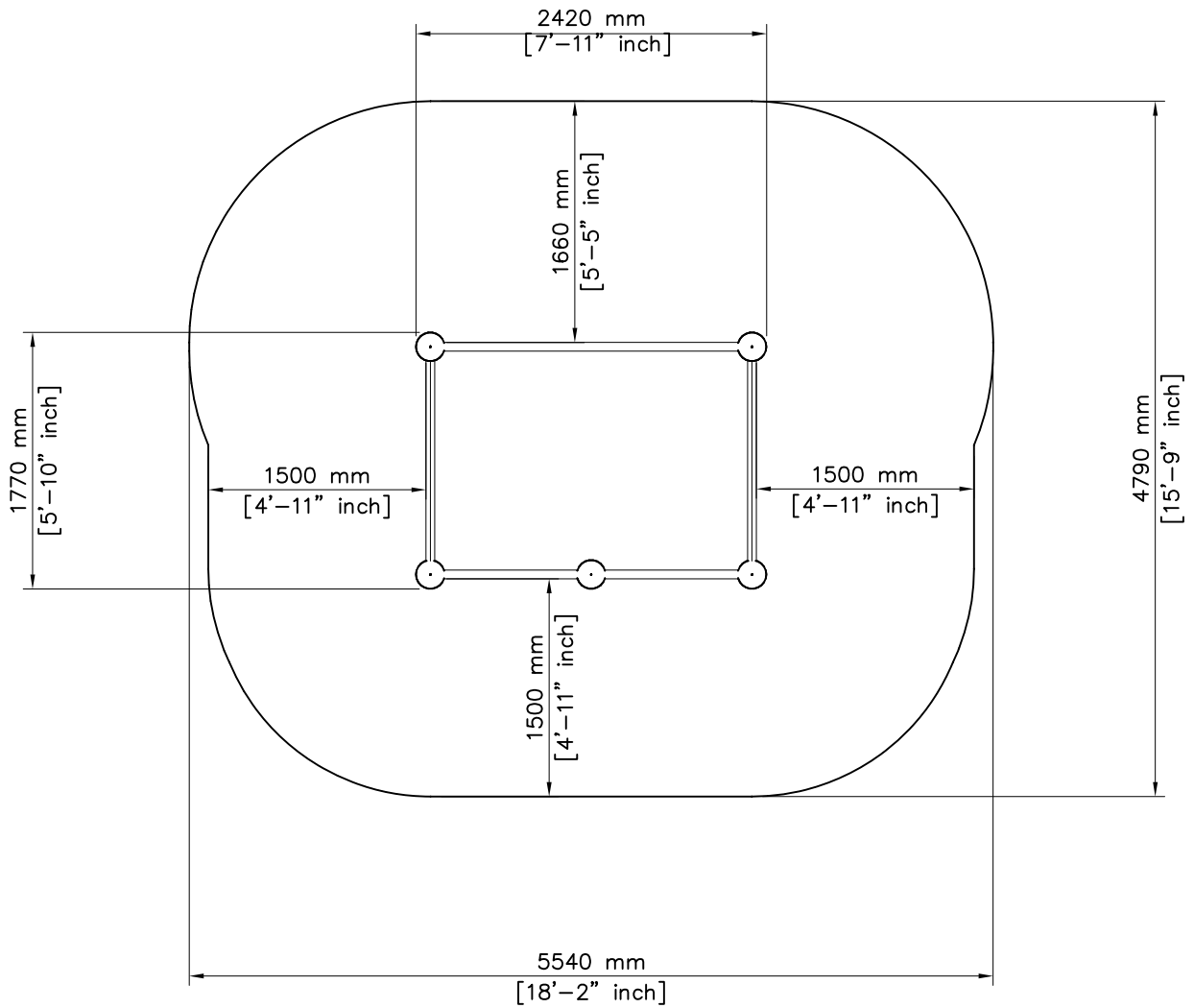
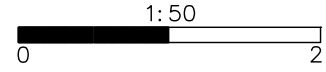
220552

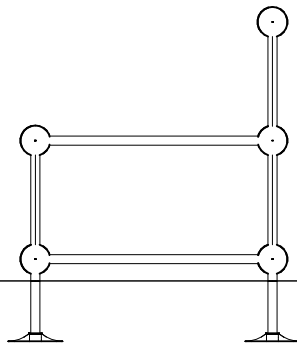
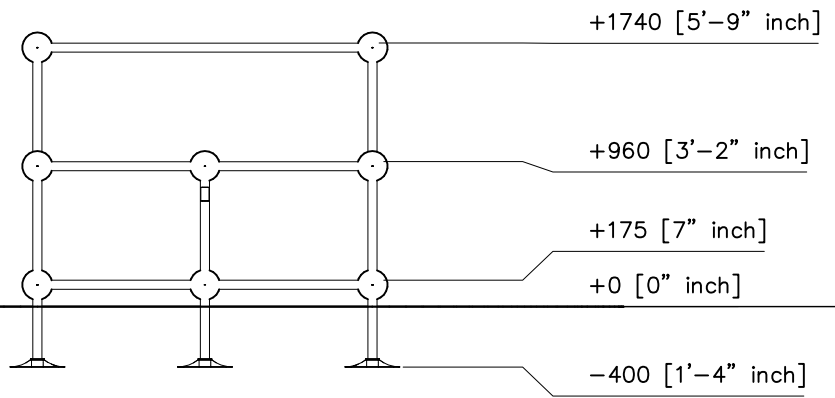


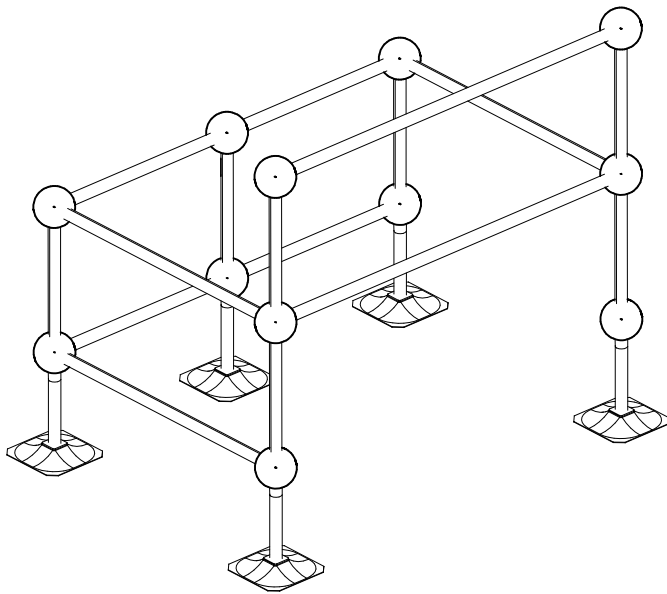
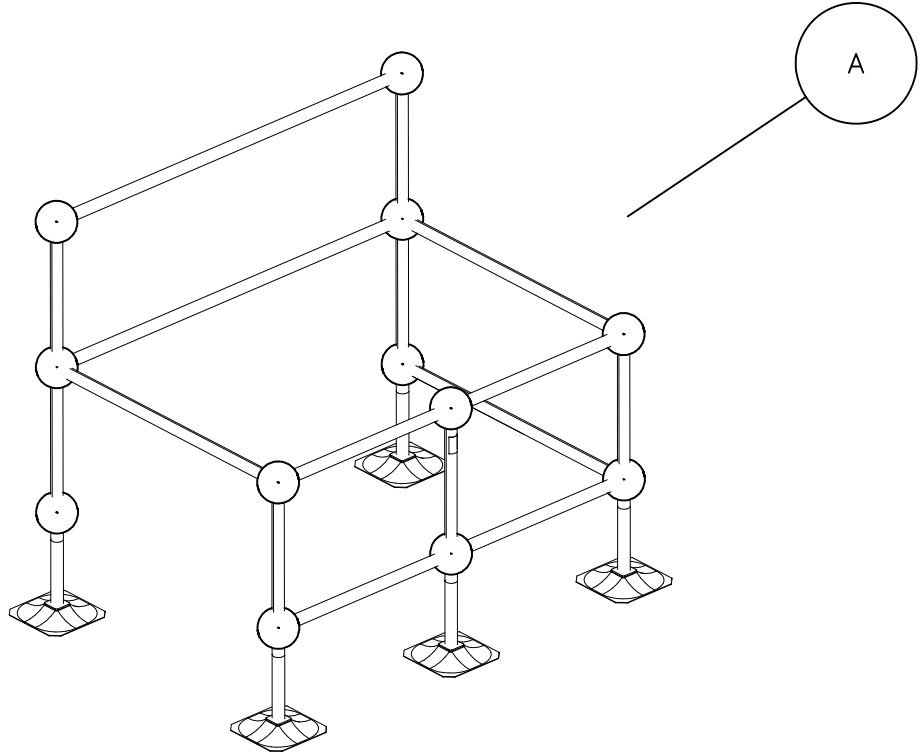
—+ EN/AS Impact Area 23.6 m² (254+ sq ft)
 Grid size = 500mm (20" in)
 - - - Falling Space 23.6 m² (254 sq ft)

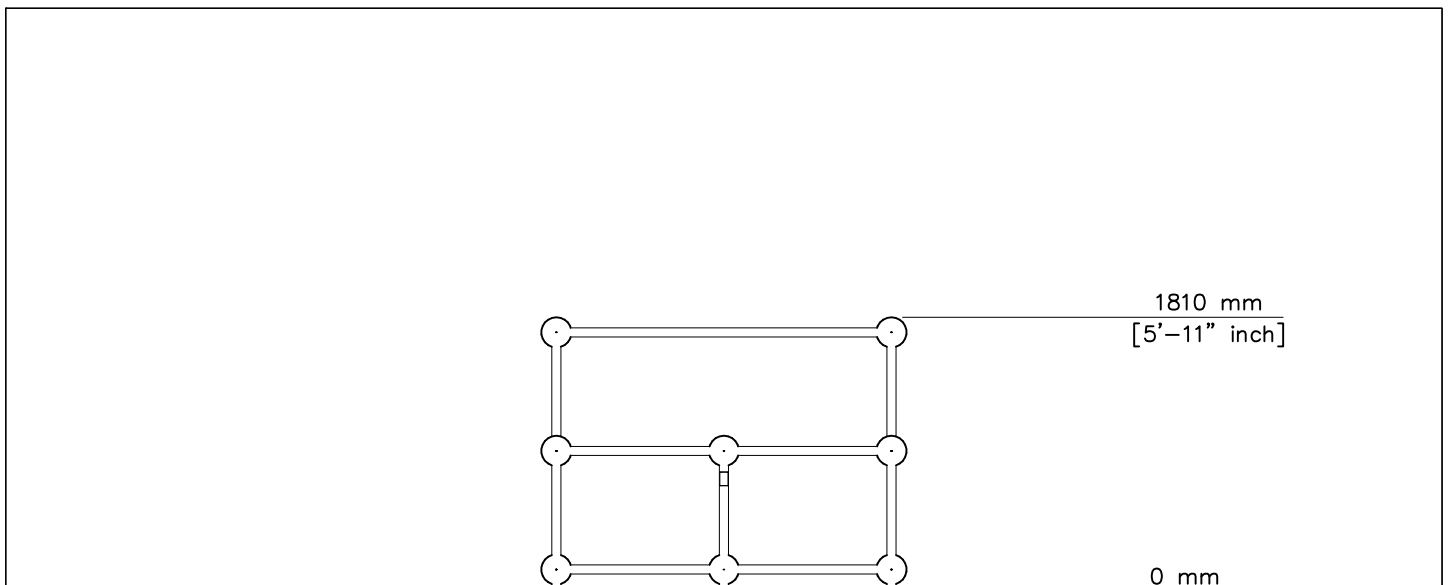
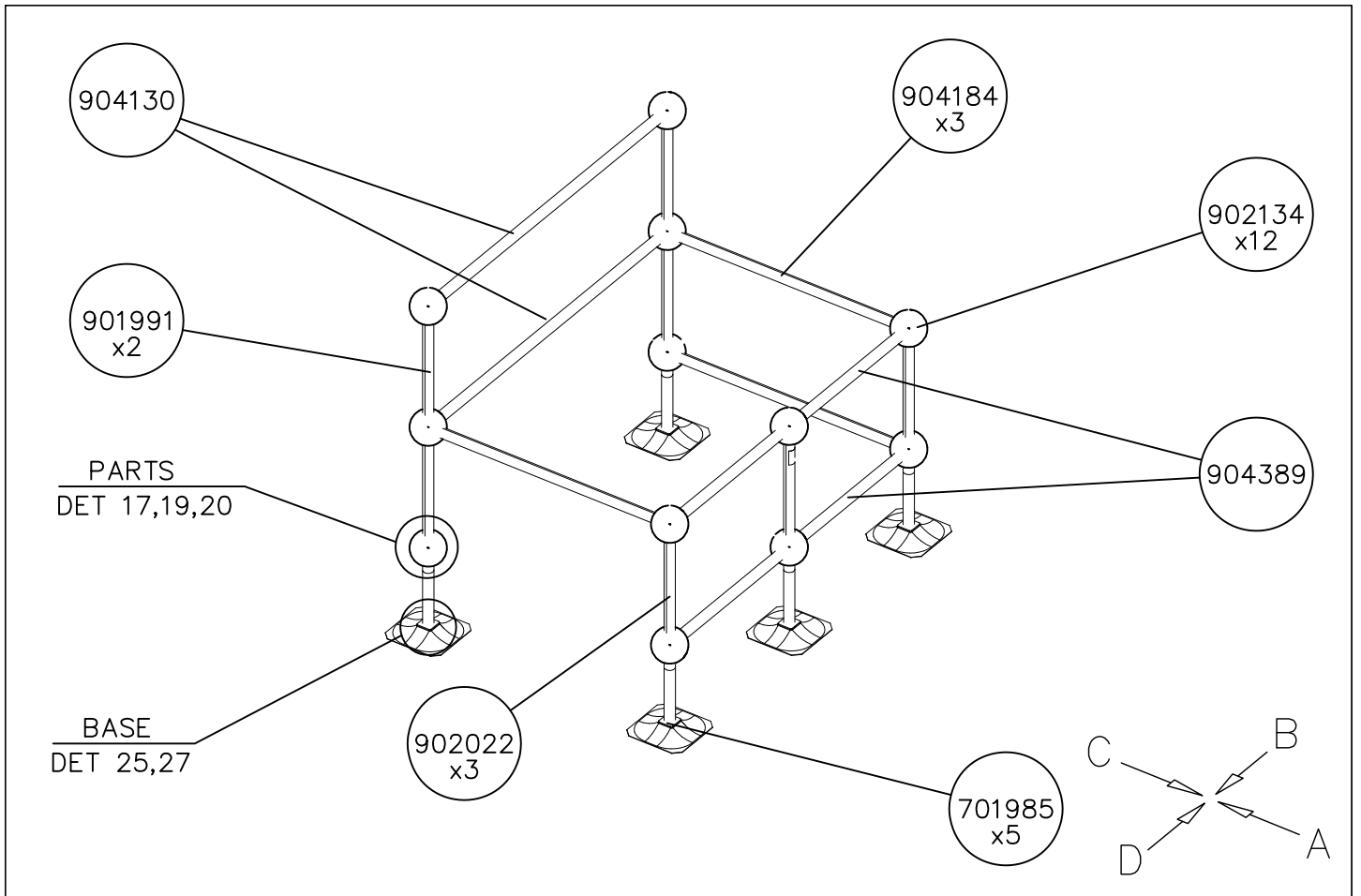


- EN/AS Impact Area 23.6 m² (254 sq ft)
- Falling Space 23.6 m² (254 sq ft)
- Max Falling Height 1745 mm (5'-9" in)





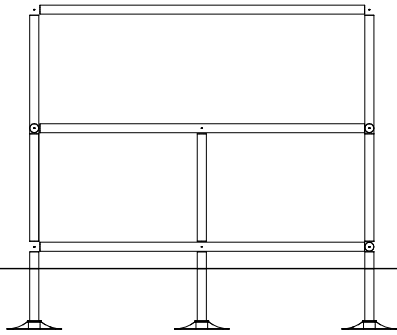




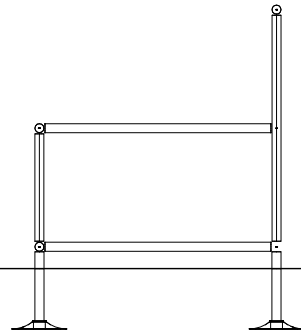
DATE: 24.2.2015

1:50

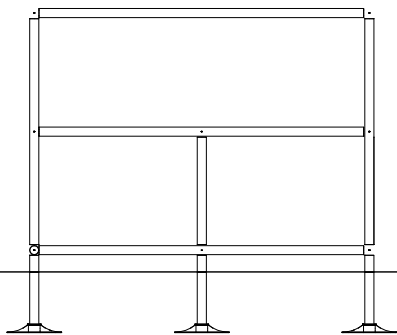
(A)



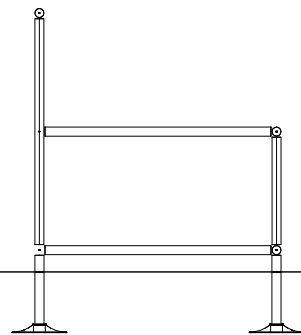
(B)



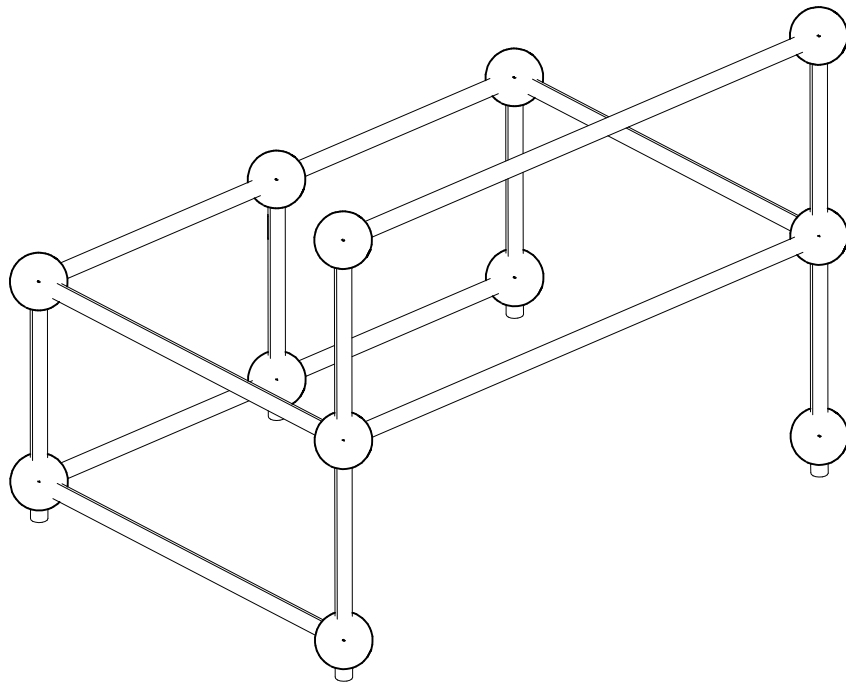
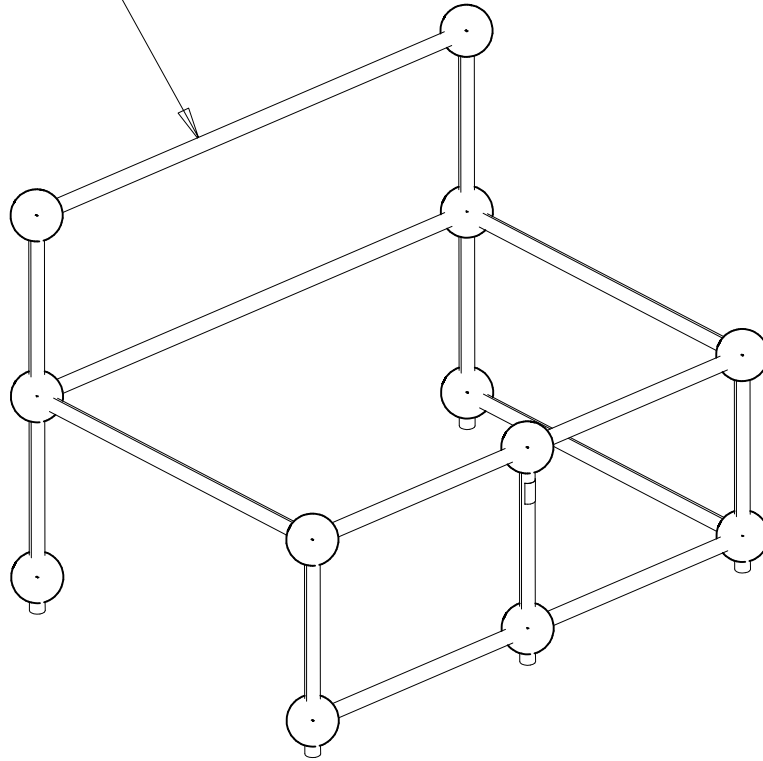
(C)



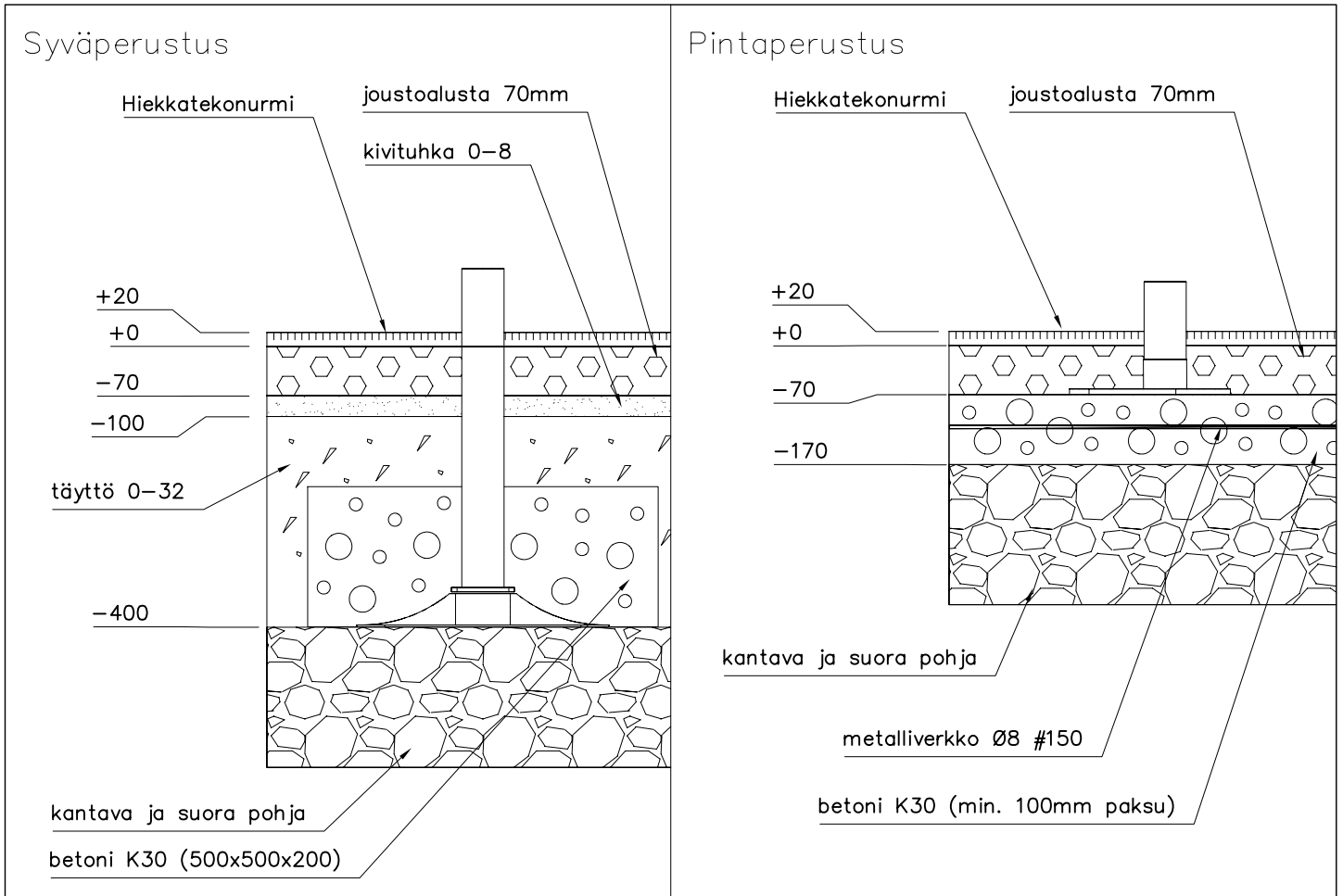
(D)



Max falling height.



DATE: 18.8.2011



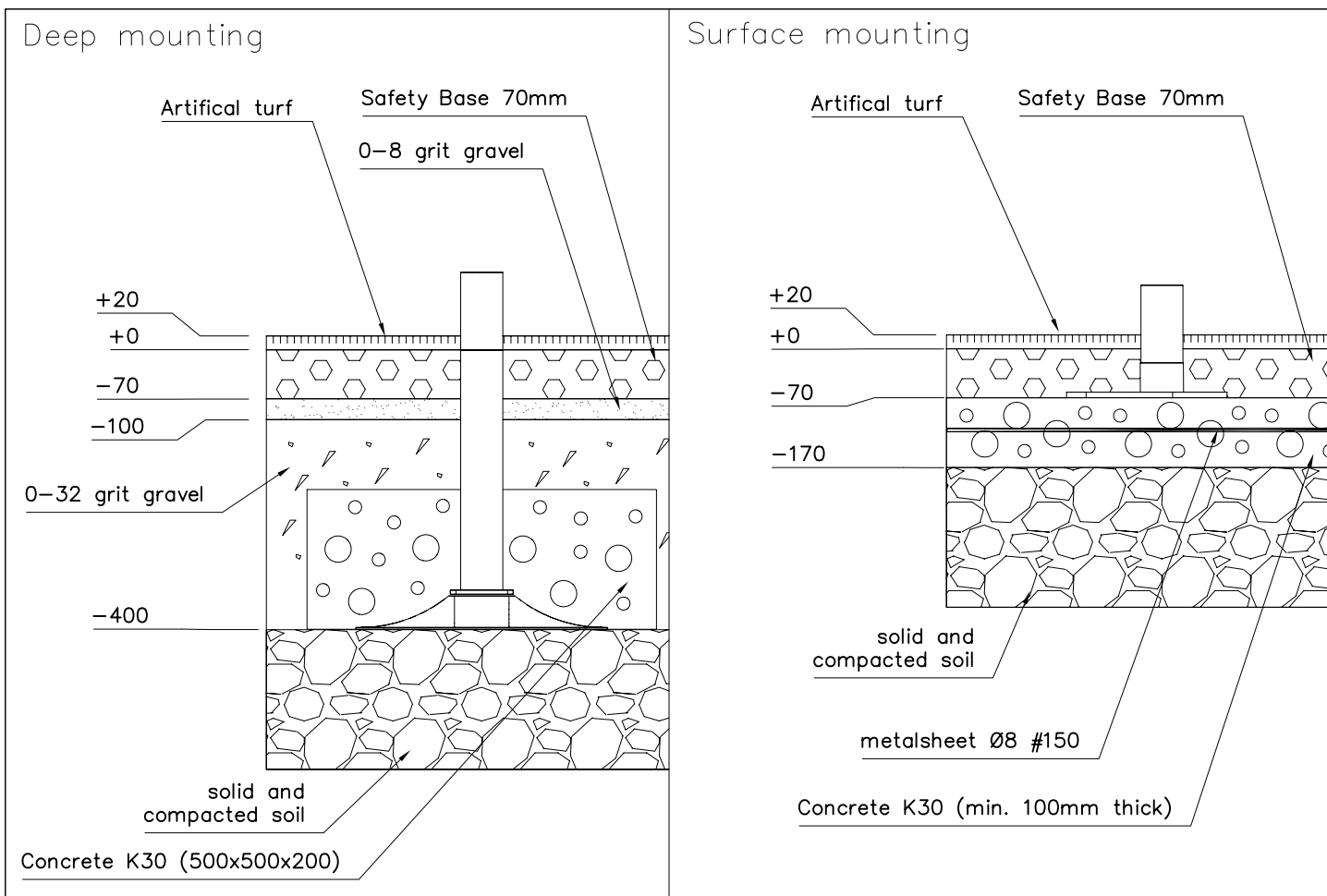
Syväperustus

1. Kaivetaan 400mm syvä kaivanto pinnan korosta. Jotkin välineet tarvitsevat syvämmän kaivannon (katso tuotteiden asennusohjeet).
Huom! Kantava ja suora perustusten pohja.
2. Asennetaan välineet.
3. Valetaan betonit. Jotkin välineet voivat vaatia isomman valun, katso yksittäisten tuotteiden asennusohjeet.
4. Täytetään 0-32 oikeaan korkoon.
5. Tiivistetään täyttö.
6. Täytetään kivituhkalla (0-8) n.30mm kerros jonka jälkeen tasoitetaan ja tiivistetään hyvin.(+/-10mm/4m oikolauta)
7. Tämän jälkeen asennetaan nurmi (katso asennusohje).

Pintaperustus

1. Kaivetaan 170mm syvä kaivanto pinnan korosta.
Huom! Kantava ja suora perustusten pohja.
2. Valetaan betonilaatta (min. 100mm paksu). Koko riippuu kentän koosta (S,M,L).
3. Asennetaan välineet.
4. Asennetaan joustopalat ohjeen mukaisesti (katso asennusohje).
5. Tämän jälkeen asennetaan nurmi (katso asennusohje).

DATE: 18.8.2011



Deep mounting

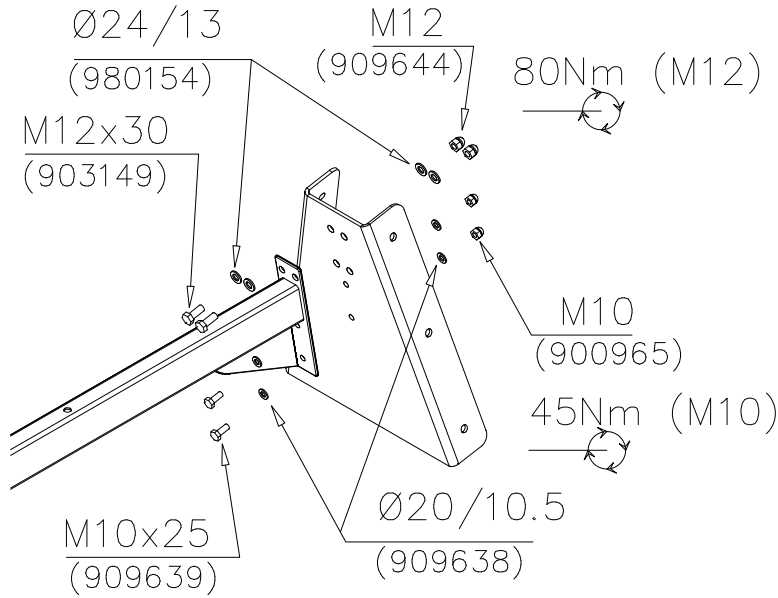
1. Start by digging 400 mm deep excavation. Some equipment may need more depth, see assembly instructions for individual equipment.
2. Assemble the equipment according to assembly instructions.
3. Make concrete blocks. Some equipment may need bigger block, see assembly instructions.
4. Fill with 0–32 grit to correct level.
5. Compact the layer.
6. Spread 30 mm thick layer using grit 0–8 gravel. Compact and level it thoroughly. (+/-10mm/4m)
7. Assemble the safety base according to assembly instructions.
8. Assemble the turf according to assembly instructions.



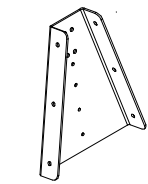
NOTE: Also the soil below the starting level (-400) needs to be solid and compact.

Surface mounting

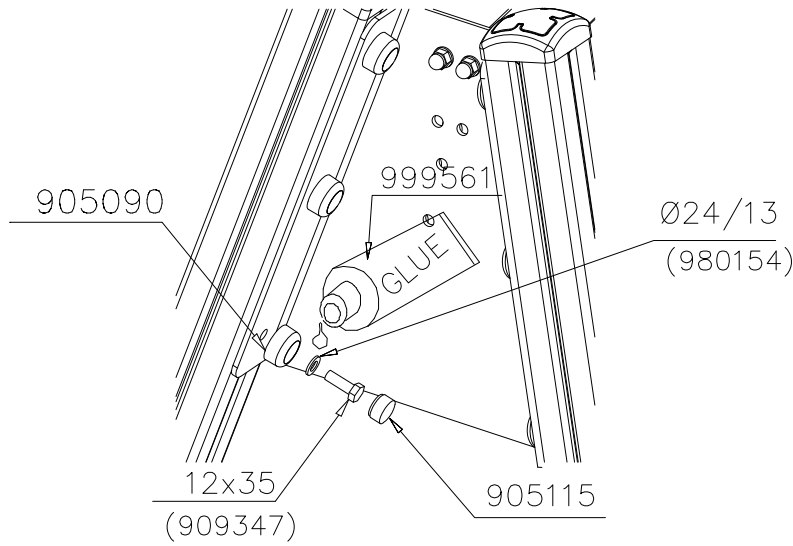
1. Start by digging 170 mm deep excavation.
2. Make concrete plate, see illustration (min. 100mm thick). Size depends on the size of the Parkour field (S,M,L).
3. Assemble the equipment according to assembly instructions.
4. Assemble the safety base according to assembly instructions.
5. Assemble the turf according to assembly instructions.

DET A



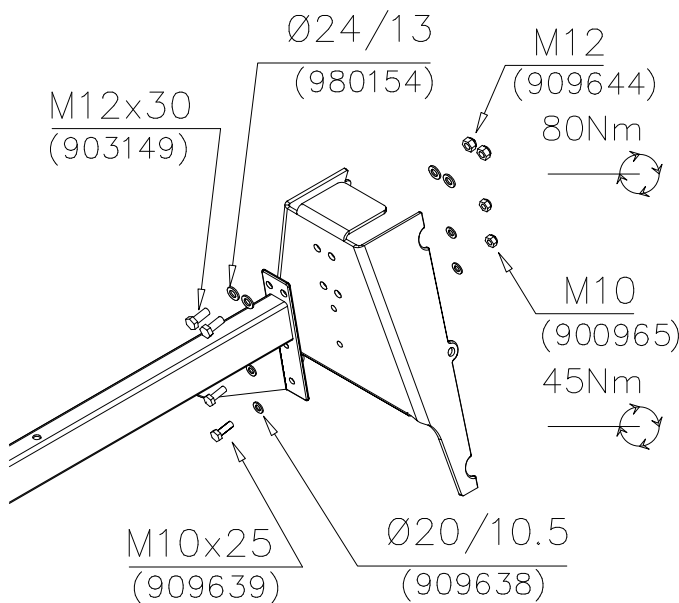
-  M12x30 2 pcs
-  Ø24/13 4 pcs
-  M12 2 pcs
-  M10x25 2 pcs
-  Ø20/10.5 4 pcs
-  M10 2 pcs
-  905991 1 pcs

DET A1



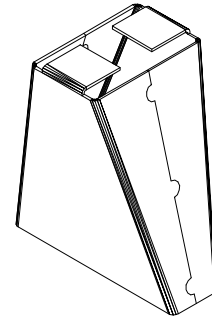
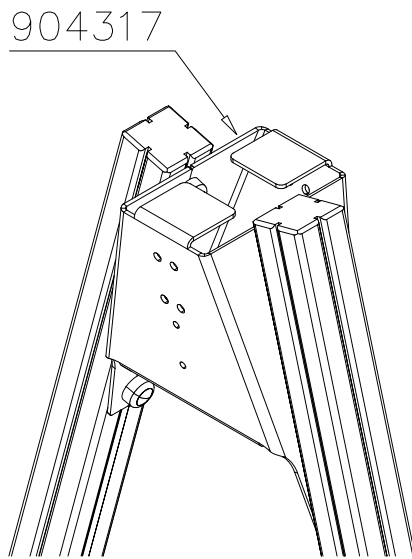
-  M12x35 6 pcs
-  Ø24/13 6 pcs
-  Ø45 6 pcs
-  Ø30 6 pcs
-  GLUE

DET B



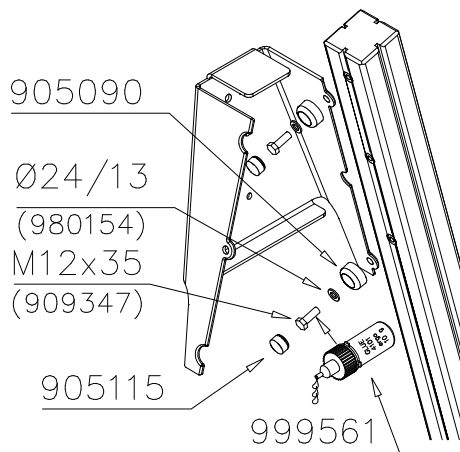
-  M12x30 2 pcs
-  Ø24/13 4 pcs
-  M12 2 pcs
-  M10x25 2 pcs
-  Ø20/10.5 4 pcs
-  M10 2 pcs

DET B



904317

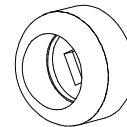
DET B1



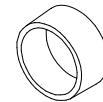
M12x35 6 pcs



Ø24/13 6 pcs



Ø45 6 pcs

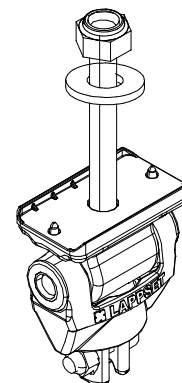
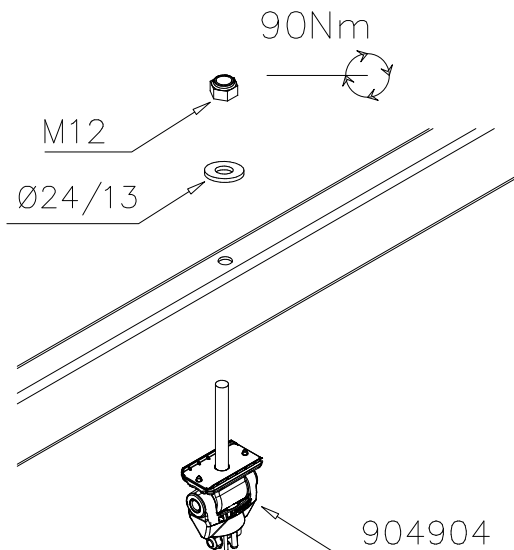


Ø30 6 pcs



GLUE

DET C



904904

DET D

90Nm

M12x110 (906499)

Ø24/13 (980154)

901958

M8x35

Ø24/13 (980154)

M12 (902234)

M8

CUT EXTRA CHAIN

M12x110 2 pcs

Ø24/13 4 pcs

M12 2 pcs

901958 1 pcs

DET D

903577

903577 1 pcs

DET E

6x60 980131

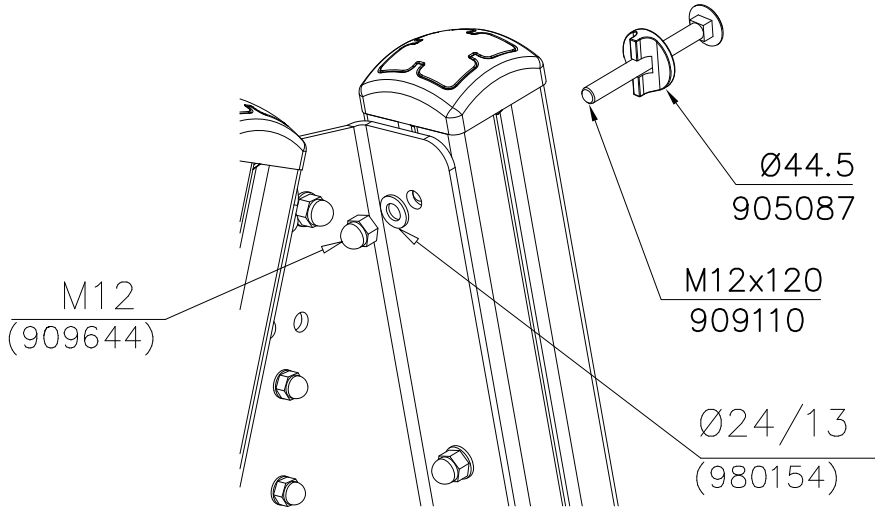
980131 4 pcs

905138 1 pcs

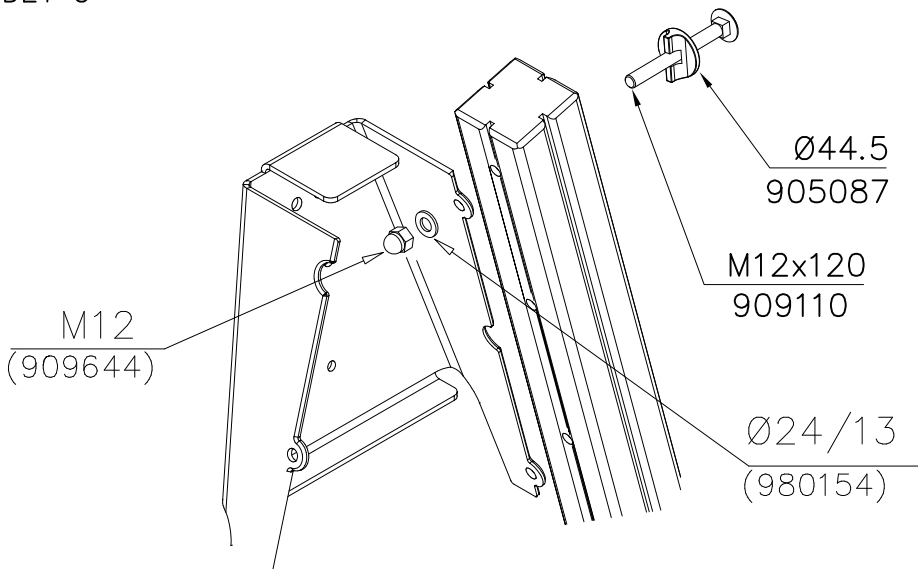
905196 1 pcs

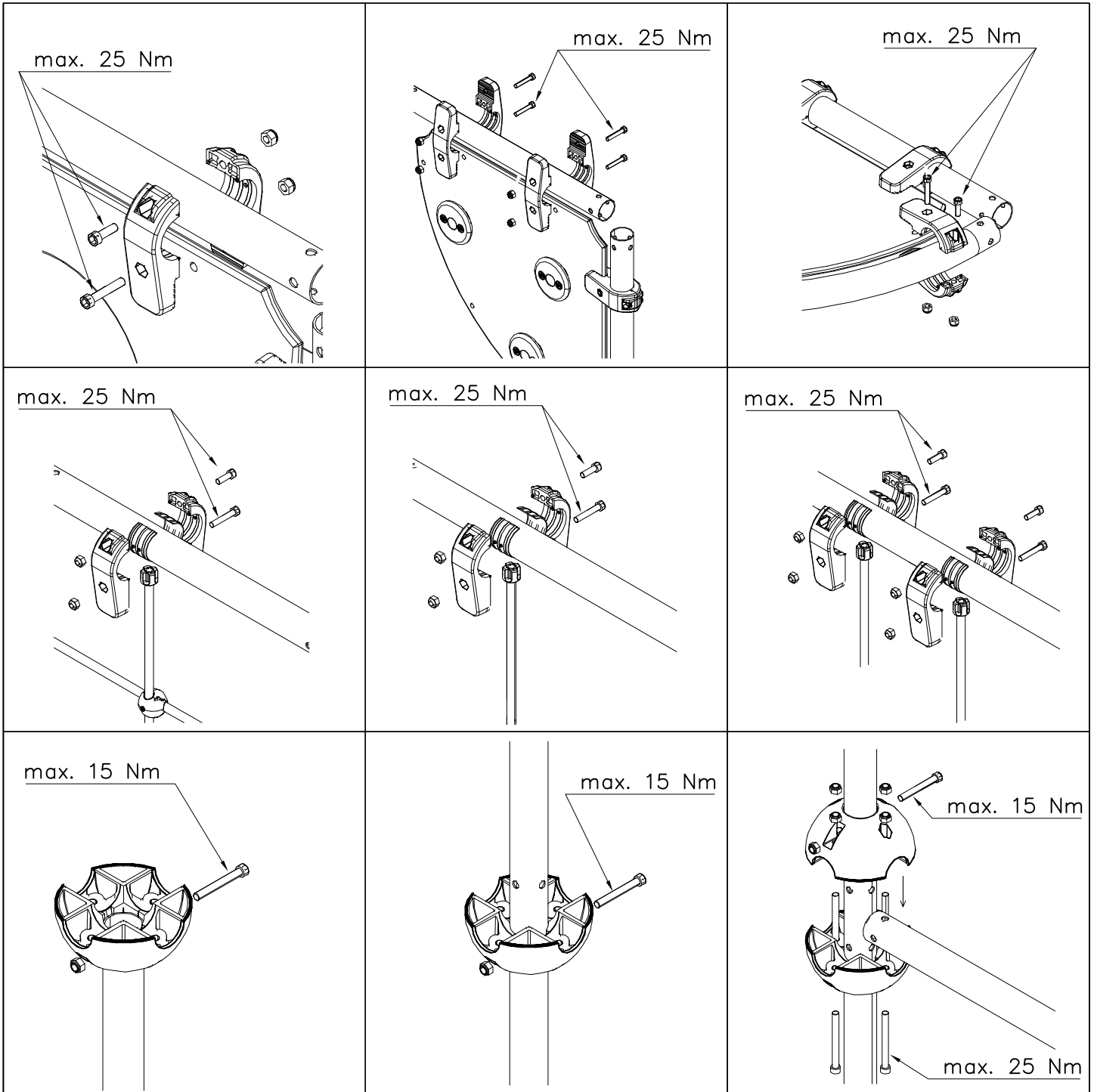
REF: SWING
DATE: 29.6.2022

DET F



DET G

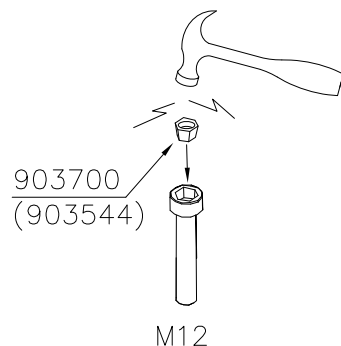
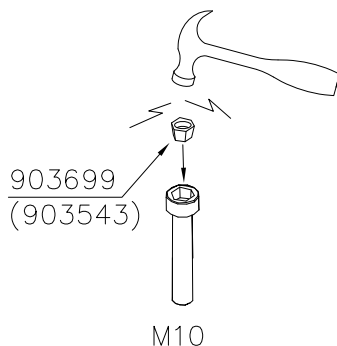




Security plugs are included only for selected products.

Hox!
Pultit on kiristettävä lopulliseen kireyteen, ennen turvapinnien asennusta.

Note!
Tighten bolts properly, before installing security plugs.



<p>DET 1</p> <p>M8x50</p> <p>702845</p> <p>M8</p>	<p>DET 2</p> <p>M8x60 902625</p> <p>702845</p> <p>M8</p>	<p>DET 3</p>
<p>DET 4</p> <p>CUT EXTRA CHAIN</p>	<p>DET 5</p> <p>90Nm</p> <p>M12x110</p> <p>Ø24/13</p> <p>901958</p> <p>M8x35</p> <p>Ø24/13</p> <p>M12 NYLOC</p> <p>M8</p> <p>CUT EXTRA CHAIN</p>	<p>DET 6</p> <p>M12x120 Ø24/12 904801</p> <p>907621</p> <p>901958</p> <p>M8x35</p> <p>Ø24/13</p> <p>M12 NYLOC</p> <p>M8</p> <p>CUT EXTRA CHAIN</p>
<p>DET 7</p> <p>M12x40</p> <p>M12</p> <p>902012</p>	<p>DET 8</p> <p>NOTE: Aluminum thread fasten carefully.</p> <p>903388</p> <p>M8x30</p>	<p>DET 9</p> <p>NOTE: Aluminum thread fasten carefully.</p> <p>702850</p> <p>M8x30</p> <p>903388</p>
<p>DET 10</p> <p>902623</p> <p>M8</p> <p>Ø16/8.4</p> <p>Ø16/8.4</p> <p>M8x30</p>	<p>DET 11</p> <p>M8x30</p> <p>Ø16/8.4</p> <p>M8</p>	<p>DET 12</p> <p>902624</p>

<p>DET 13</p> <p>M10x50</p> <p>Ø20/10.5</p> <p>M10</p>	<p>DET 14</p> <p>M10x40</p> <p>Ø20/10.5</p> <p>M10</p>	<p>DET 15</p> <p>M10x40 (901487)</p> <p>M10 (909637)</p> <p>Ø20/10.5x2 (901302)</p>
<p>DET 16</p> <p>903572</p> <p>903567</p> <p>M8x60</p> <p>GLUE</p>	<p>DET 17</p> <p>M12x90 901994</p> <p>M12</p>	<p>DET 18</p> <p>M12x120</p> <p>903574</p> <p>M12</p>
<p>DET 19</p> <p>M12x90</p> <p>M12</p> <p>902157</p>	<p>DET 20</p> <p>M12</p> <p>901994</p> <p>M12x120</p>	<p>DET 21</p> <p>M8x60</p> <p>M8</p> <p>905067</p>
<p>DET 22</p> <p>703062</p> <p>M8x60</p> <p>GLUE</p>	<p>DET 23</p> <p>M8x60</p> <p>GLUE</p>	<p>DET 24</p> <p>901958</p> <p>903577</p>

DET 25-26

M12x120

904100

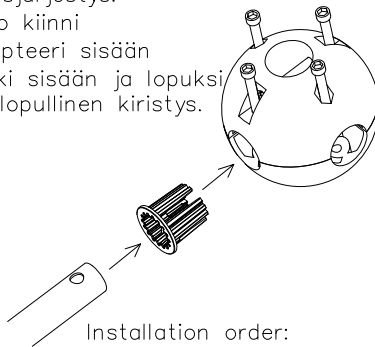
904015

904102

Kun putken pää osuu adapterin kynsiin, adapteri tiukentuu paikoilleen.

Asennusjärjestys:

- 1) Pallo kiinni
- 2) Adapteri sisään
- 3) putki sisään ja lopuksi pallon lopullinen kiristys.



Installation order:

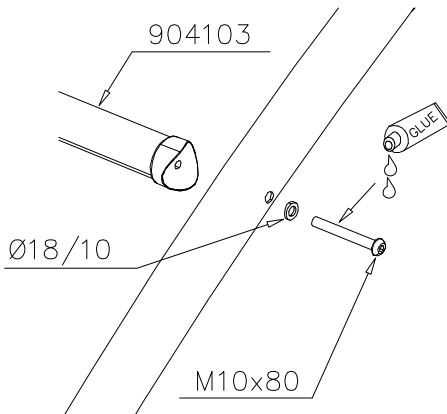
- 1) Close the ball
- 2) Insert adapter
- 3) Insert tube and tighten screws.

DET 27

904103

Ø18/10

M10x80



DET 28

906621

M12x35
(909347)

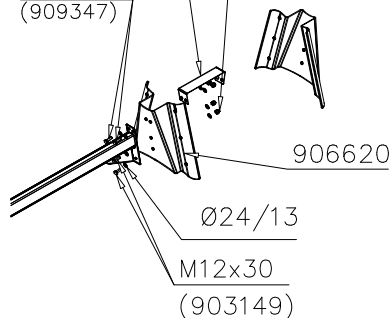
M12

906620

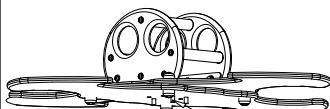
Ø24/13

M12x30
(903149)

M12 → 60 Nm



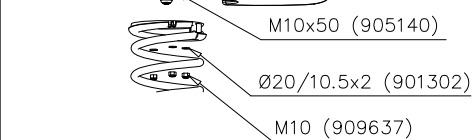
DET 29



M10x50 (905140)

Ø20/10.5x2 (901302)

M10 (909637)



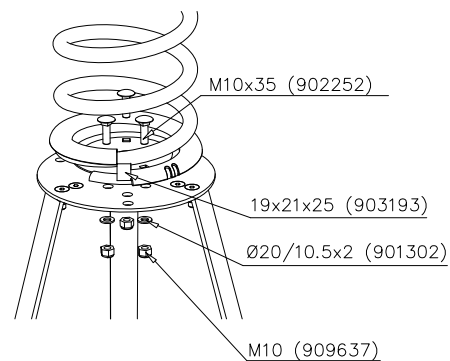
DET 30

M10x35 (902252)

19x21x25 (903193)

Ø20/10.5x2 (901302)

M10 (909637)



DET 31

M12 → 60 Nm

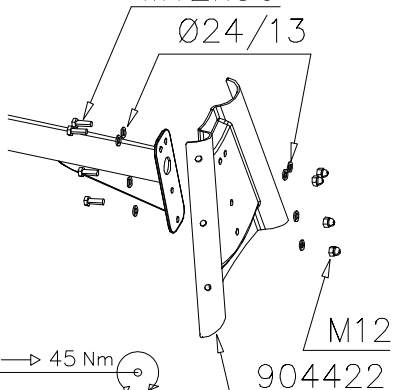
M12x30

Ø24/13

M10 → 45 Nm

M12

904422



DET 32

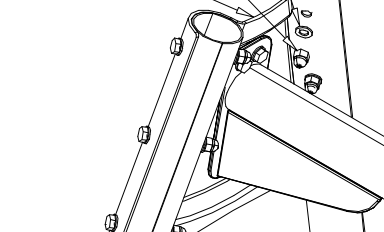
M12 → 60 Nm

M12x100

Ø24/13

M12
904422

904422



DET 33

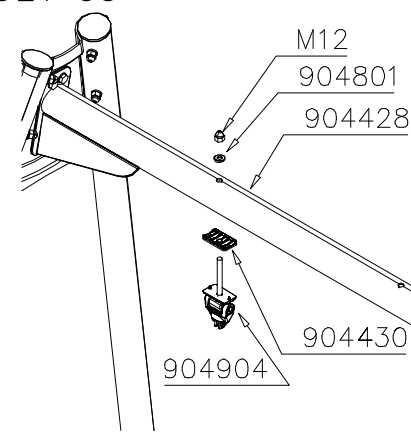
M12

904801

904428

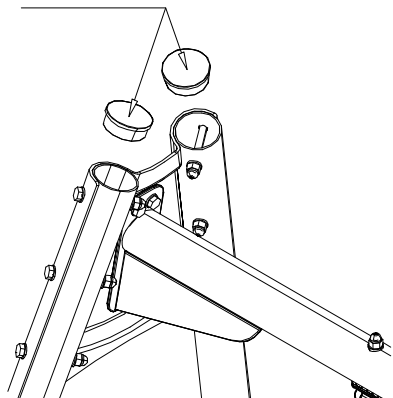
904430

904904

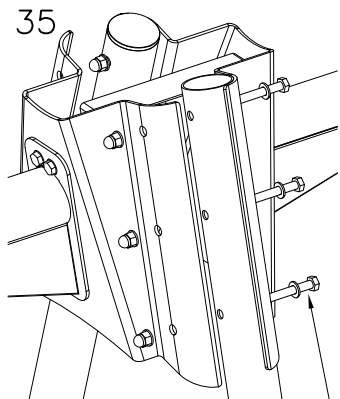


DET 34

904800

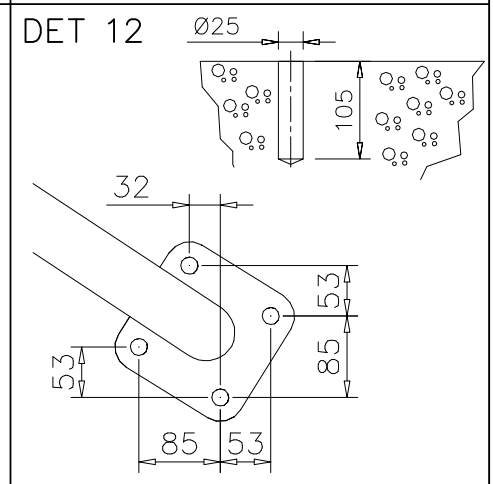
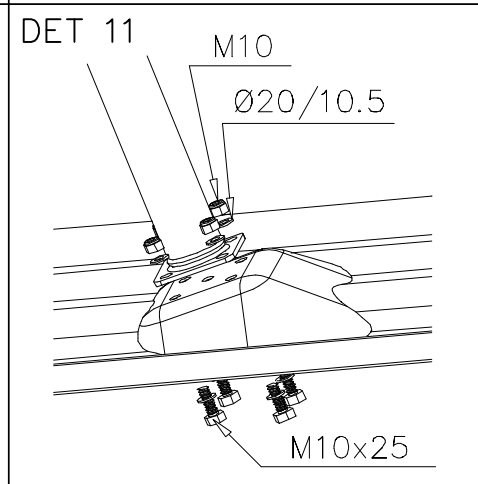
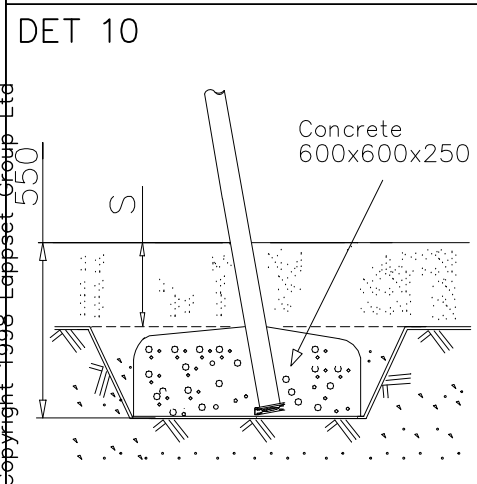
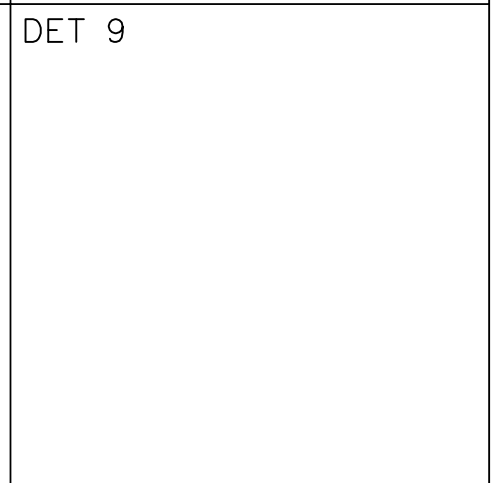
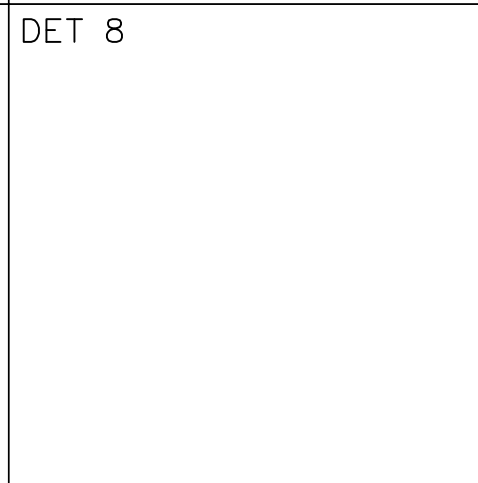
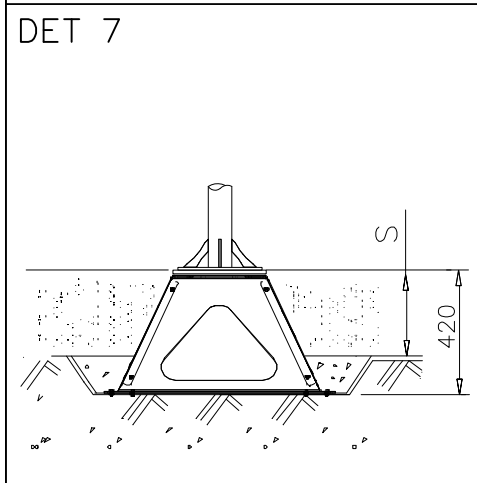
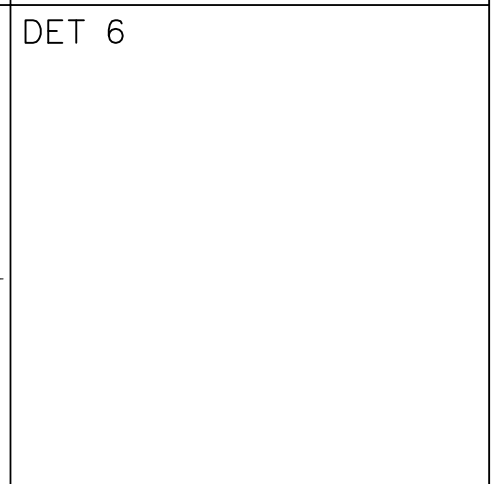
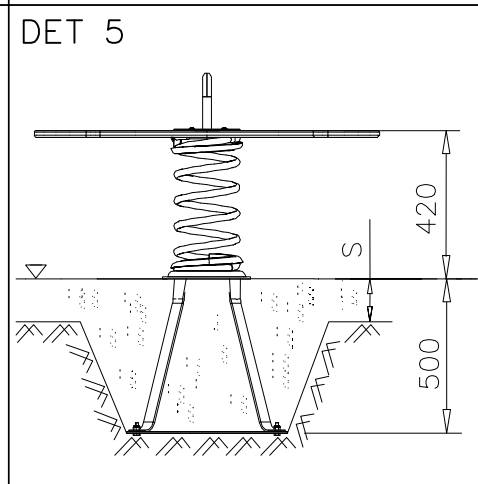
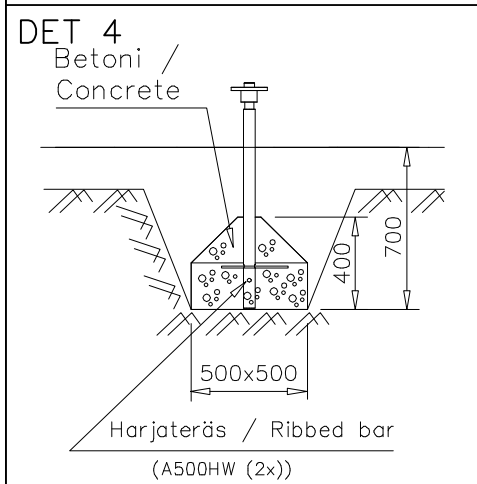
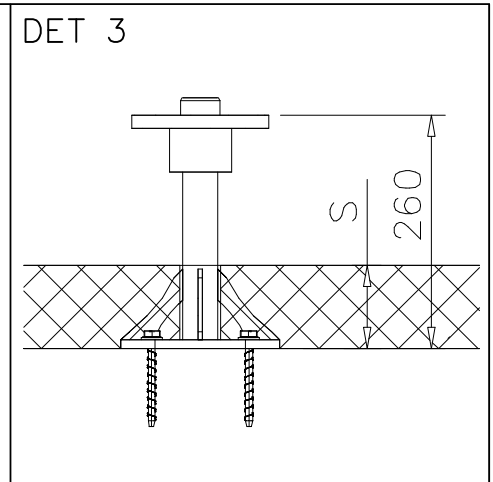
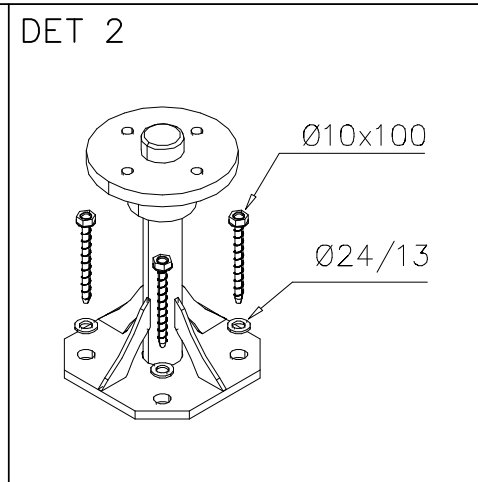
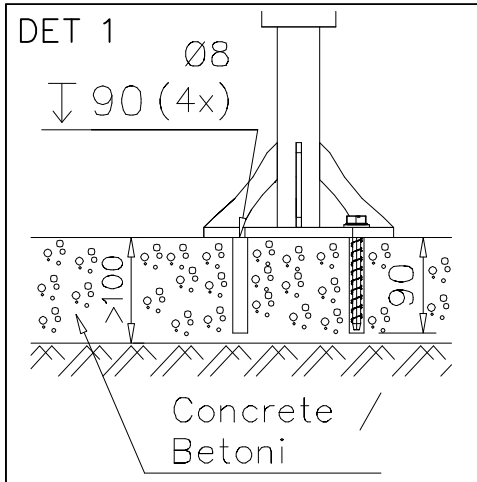


DET 35

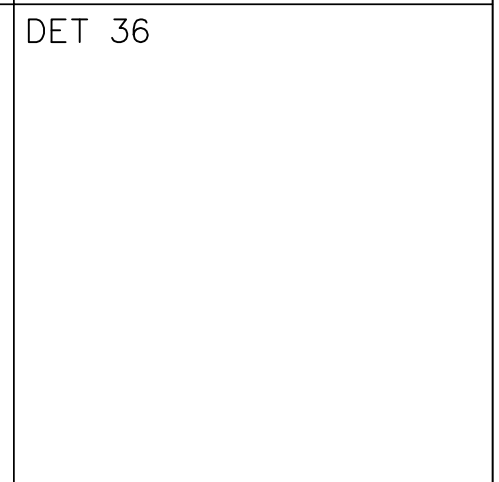
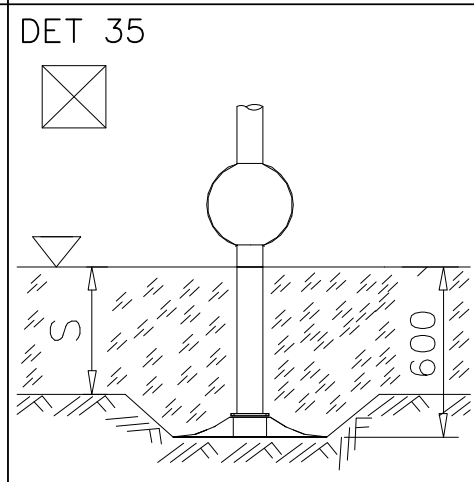
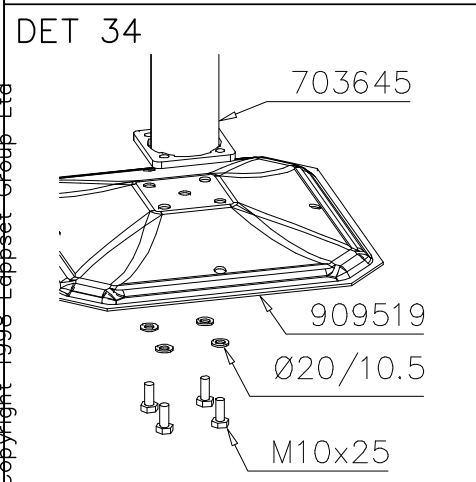
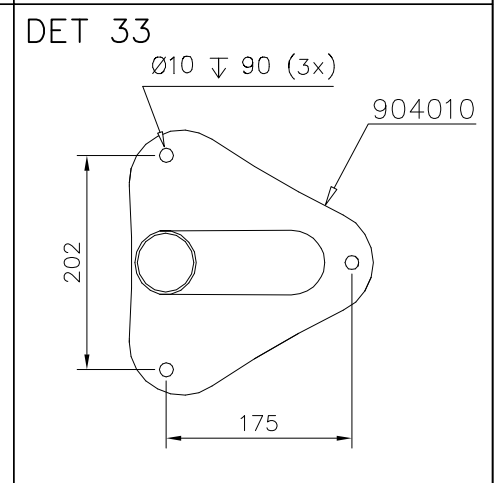
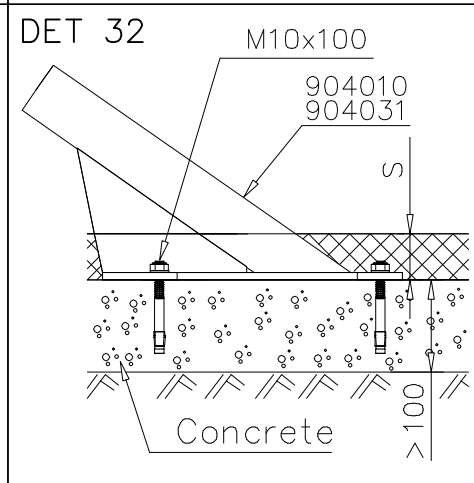
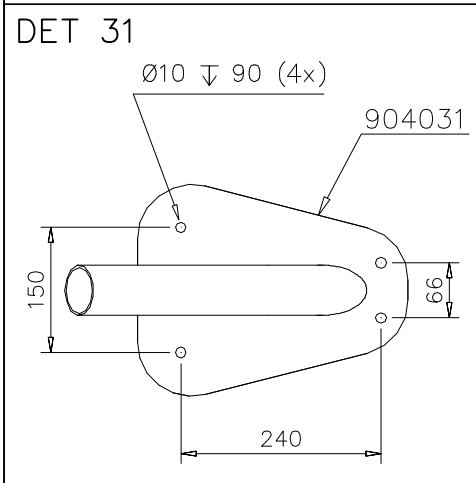
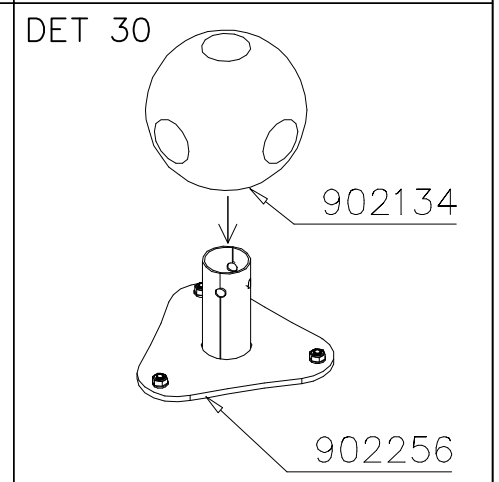
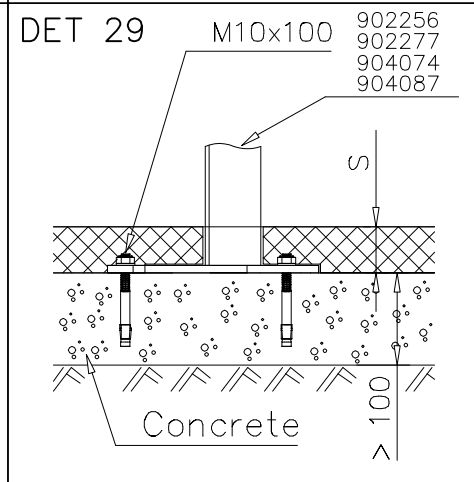
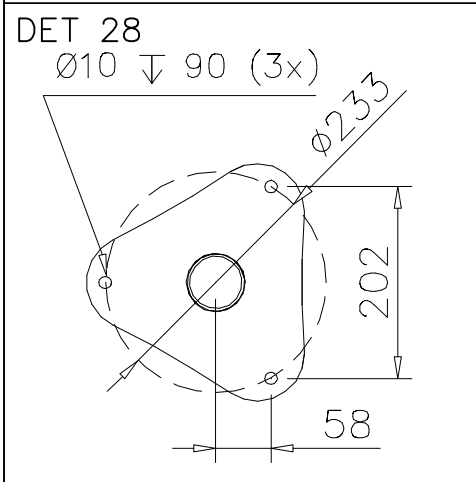
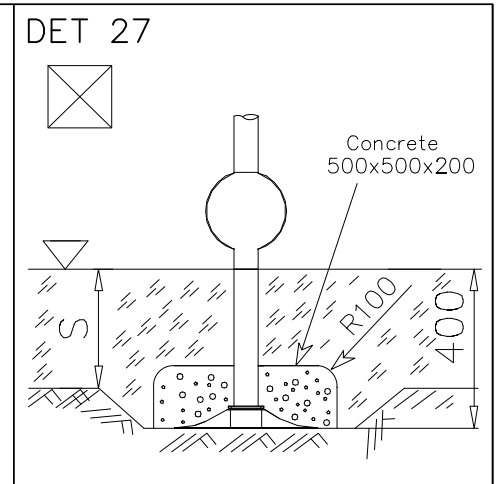
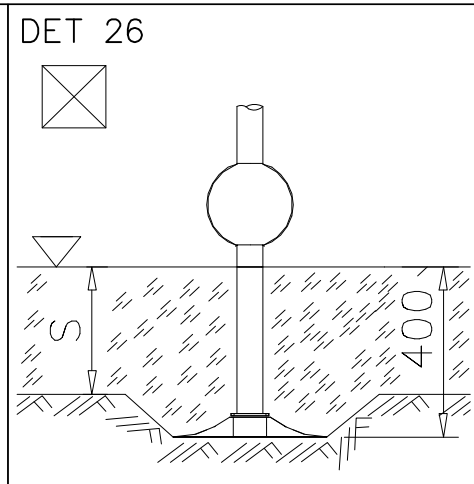
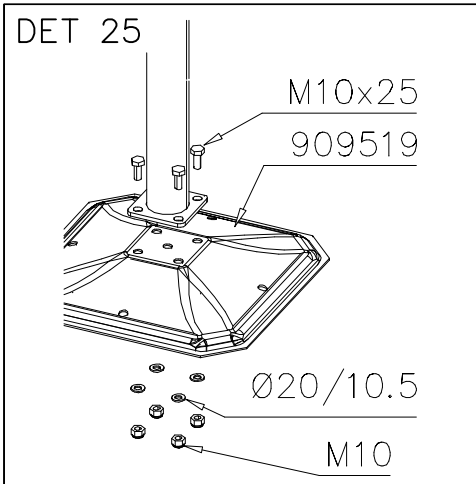


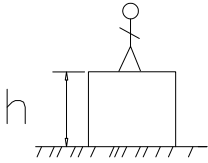



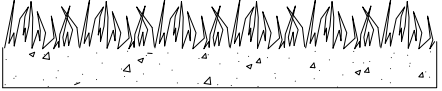
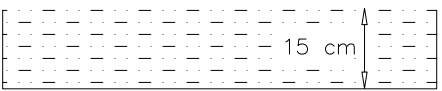
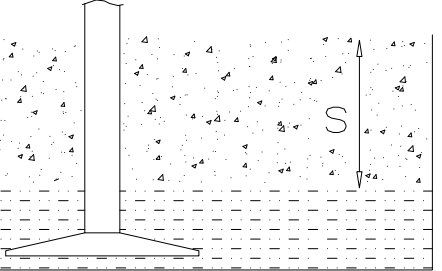
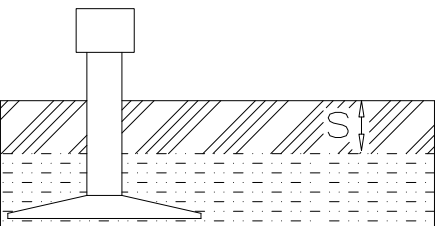
M12x110

DET 36

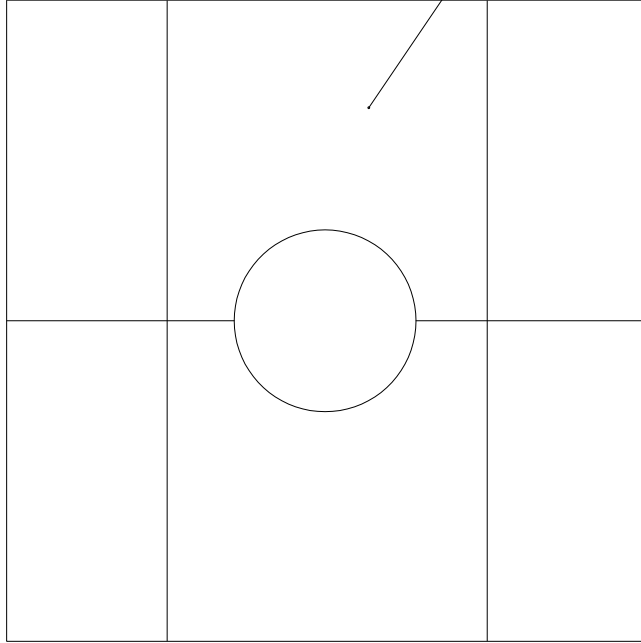


<p>DET 13</p> <p>140 Nm</p> <p>M16x110 Ø30/17x3</p>	<p>DET 14</p> <p>M12x35</p> <p>Ø24/13</p> <p>M12</p>	<p>DET 15</p> <p>Concrete 500x500x200</p> <p>600</p> <p>Harjateräs / Ribbed bar (A500HW (2x))</p>
<p>DET 16</p> <p>M12x60</p> <p>Ø24/13</p> <p>M12</p>	<p>DET 17</p> <p>M12x35</p> <p>Ø24/13</p> <p>M12</p>	<p>DET 18</p> <p>Concrete 500x500x200</p> <p>600</p> <p>Harjateräs / Ribbed bar (A500HW (2x))</p>
<p>DET 19</p> <p>ATT! Drilling can be done via hole in rotating flange.</p> <p>Ø8 ↓ 80 (4x)</p> <p>Concrete / Betoni</p> <p>>100</p>	<p>DET 20</p> <p>Ø10x100</p> <p>Ø24/13</p>	<p>DET 21</p> <p>110</p> <p>Concrete / Betoni</p> <p>S</p>
<p>DET 22</p> <p>M10</p> <p>Ø20/10.5</p> <p>M10x40</p>	<p>DET 23</p> <p>Ø10 ↓ 90 (4x)</p> <p>>100</p> <p>S</p> <p>Betoni / Concrete</p> <p>Safety surface</p>	<p>DET 24</p> <p>M10</p> <p>M10x100</p>



		
<p>$h < 600$</p> <p>Without movement and therefore without Impact Area</p>	<p>Totally hard surfaces.</p> <p>Note. Lappset does <u>not recommend</u> totally hard surfaces at all.</p>	<p>E.g. concrete or asphalt</p> 
<p>$h < 600$</p> <p>With movement e.g. rocking</p>	<p>Materials with very limited impact attenuating properties.</p>	<p>E.g. wood</p> 
<p>$h < 1000$</p>	<p>Materials with significant impact attenuating properties.</p>	<p>fine gravel 0–8 mm</p>  <p>grass</p>  <p>unsorted sand</p> 
<p>$h < 3000$</p>	<p>Loose fill material</p> <p>E.g. sand/gravel 0,25...8 mm D60/D10<3,0 Woodchips 5...30 mm bark 20...80 mm</p>	 <p>\underline{S} \underline{h}</p> <p>30 cm < 2,0 m</p> <p>40 cm < 3,0 m</p>
	<p>Syntethic granulates</p> <p>\underline{S} \underline{h}</p> <p>40 mm ~> 1,2...1,3 m</p> <p>50 mm ~> 1,5...1,7 m</p> <p>60 mm ~> 1,8...2,0 m</p> <p>70 mm ~> 2,1...2,5 m</p> <p>Note. For accurate values, see manufacturer's instructions.</p>	

REMOVE SAFETY SURFACE/SAND/GRAVEL
TO CHECK FOUNDATION



REMOVE SAFETY SURFACE/SAND/GRAVEL
TO CHECK FOUNDATION

