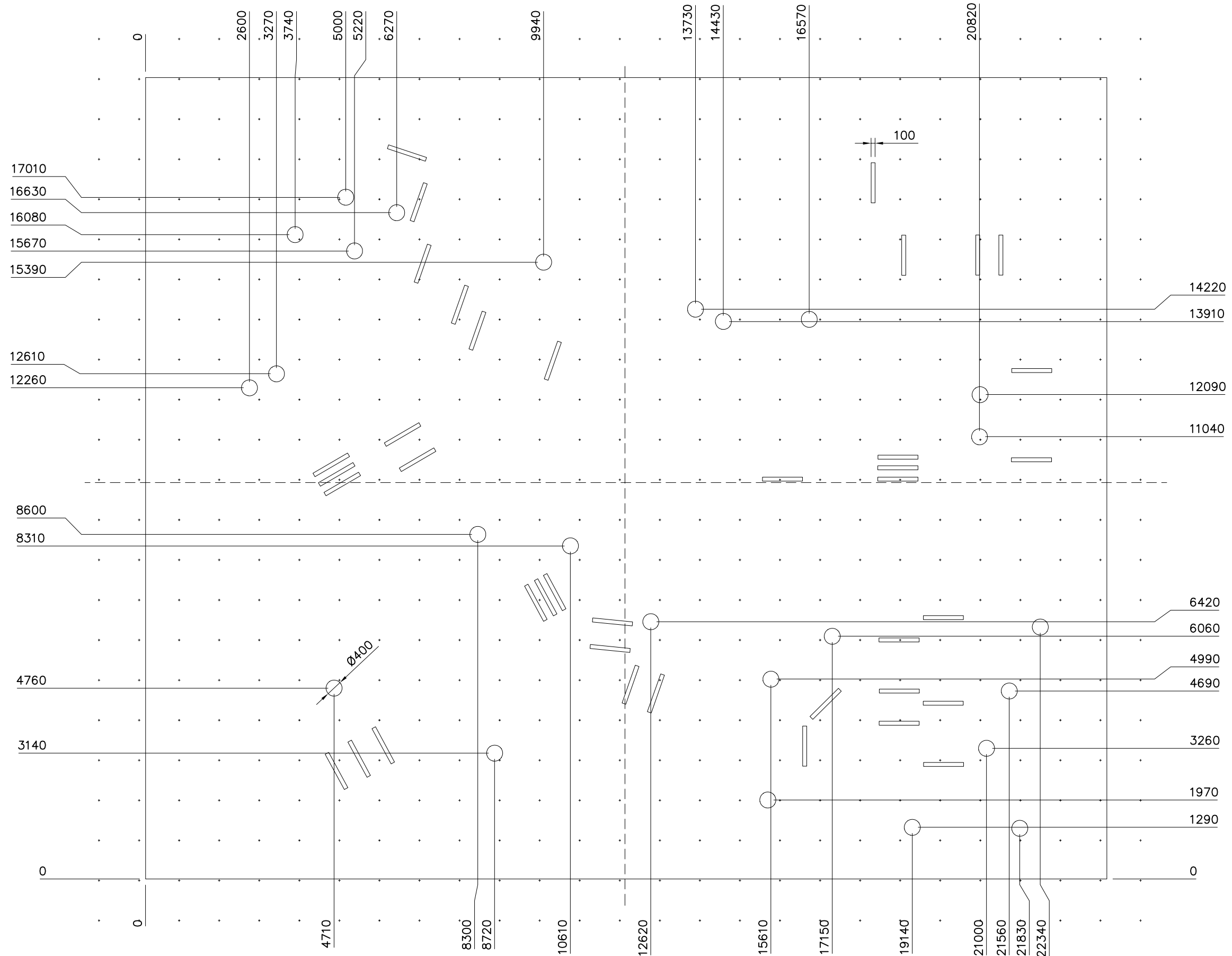


DATE: 16.3.2011

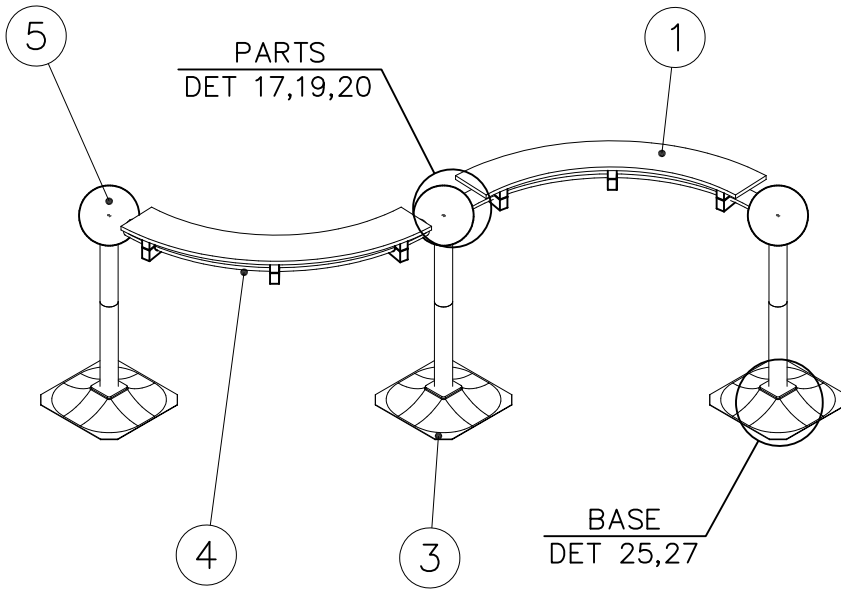


LAPPSET® PARKOUR

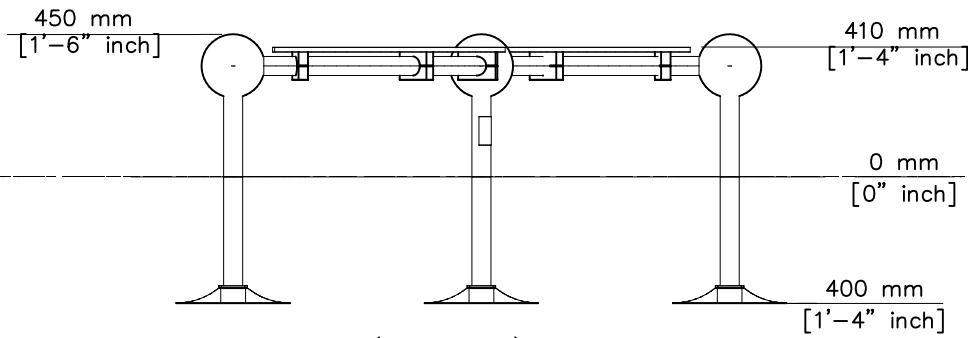
220542

DATE: 26.10.2021

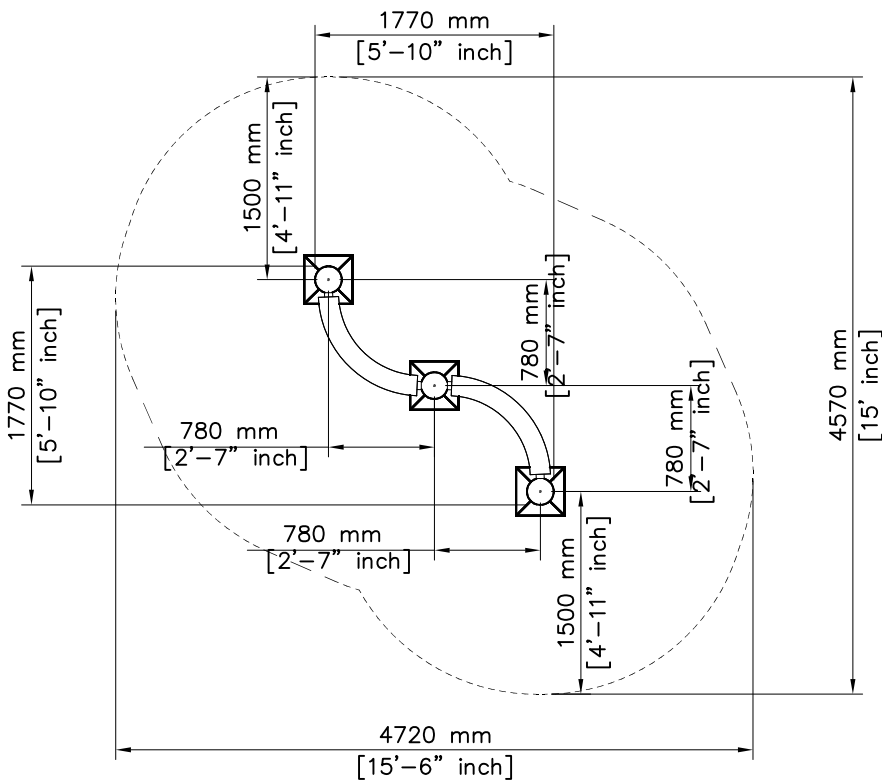
1(1)



① 702252	PCS	② 702341	PCS
	2	 90x50	1
③ 703460	PCS	④ 901941	PCS
	3		2
⑤ 902134	PCS	⑥ 902157	PCS
	3	 60x60x2	11
	PCS		PCS
	PCS		PCS
	PCS		PCS
	PCS		PCS
	PCS		PCS



--- Falling Space 14.9 m² (161.4 sq ft)
Max Falling Height 410 mm (1'-4" in)



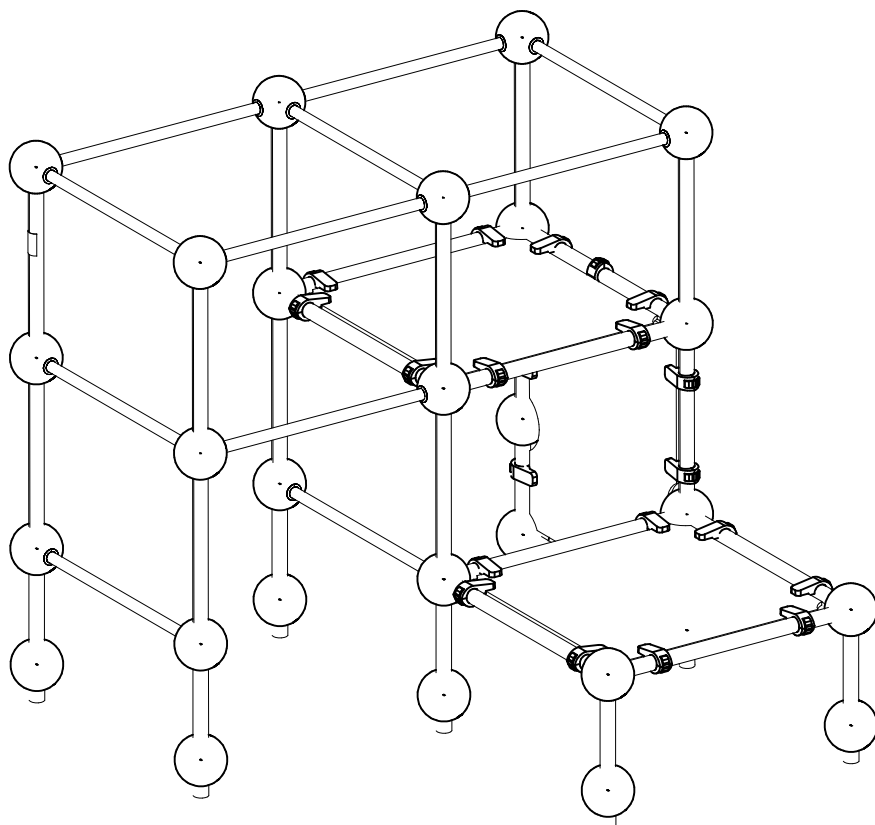
LAPPSET®

PARKOUR

ASENNUSOHJE
MONTERINGSANSVISNING
INSTALLATION INSTRUCTION
AUFBAUANLEITUNG
NOTICE D'INSTALLATION

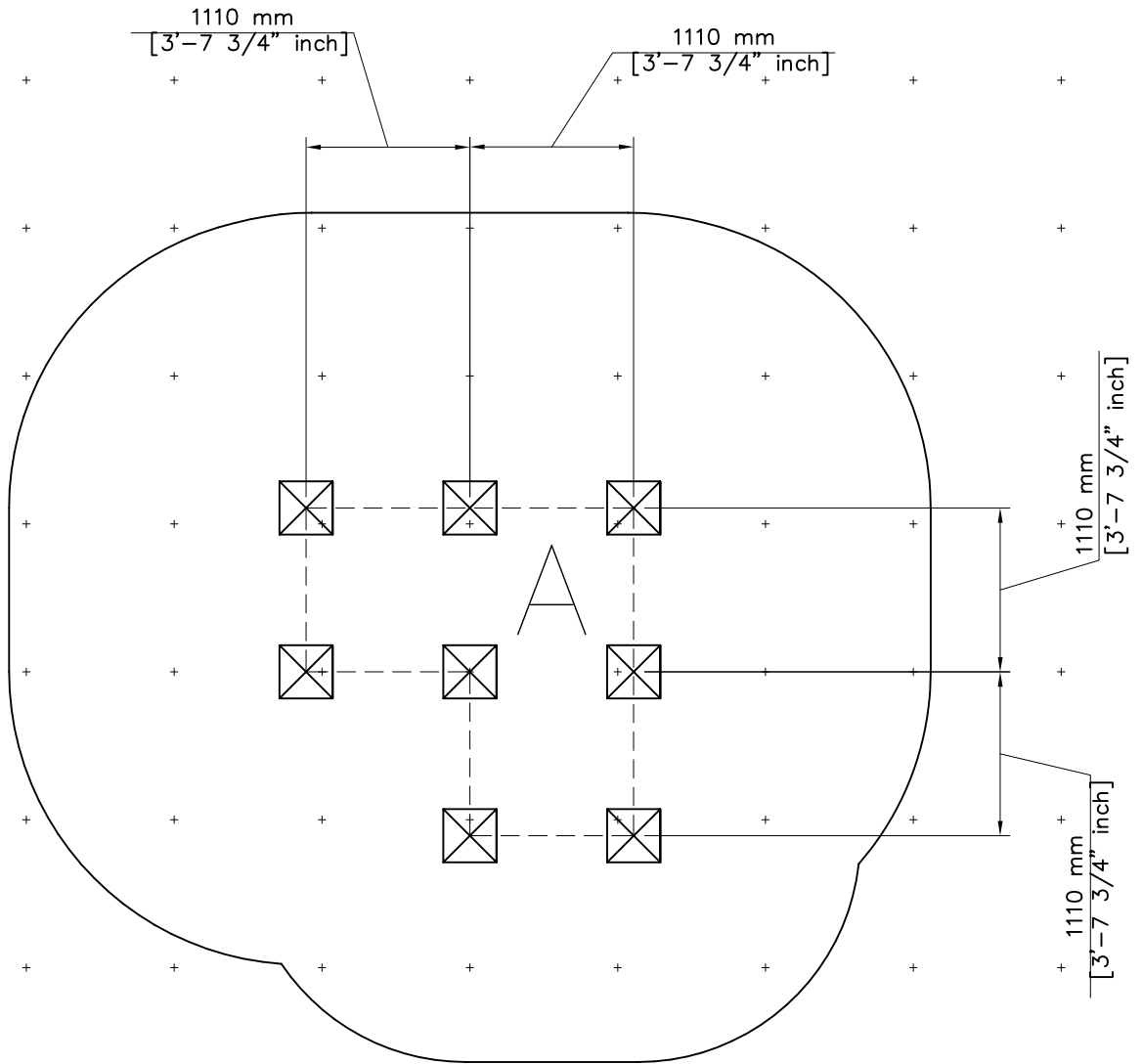
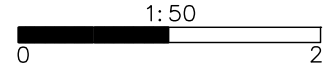
DATE: 19.3.2013

220520



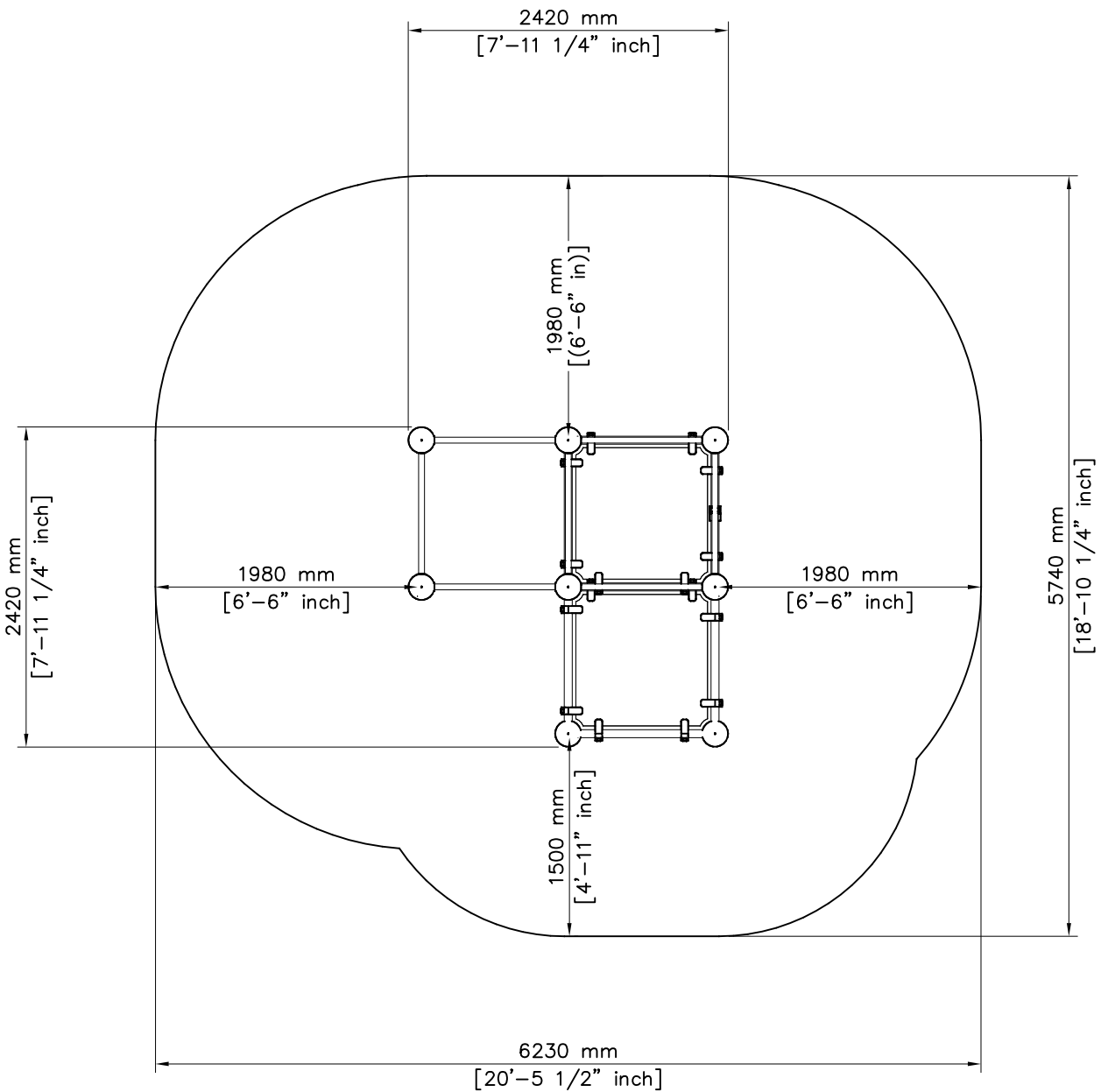
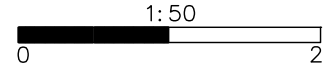
EN Impact Area 30.4 m² (327 sq ft)

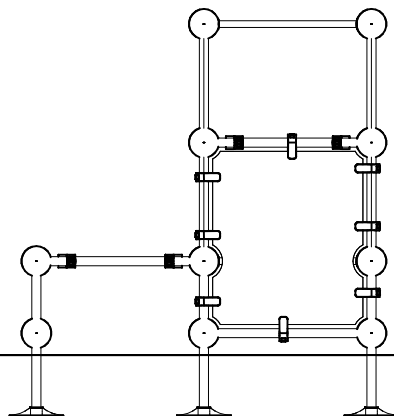
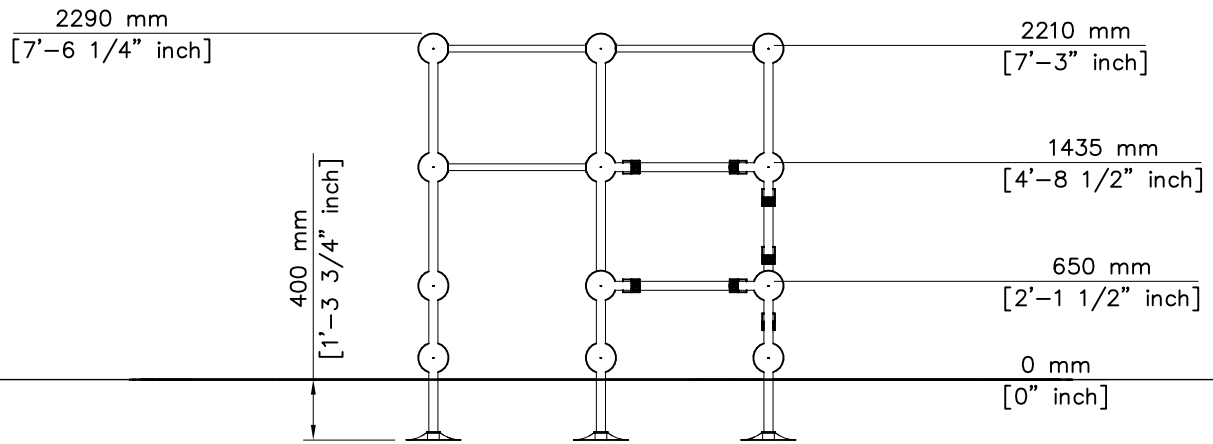
Grid size = 1000 mm (40" in)

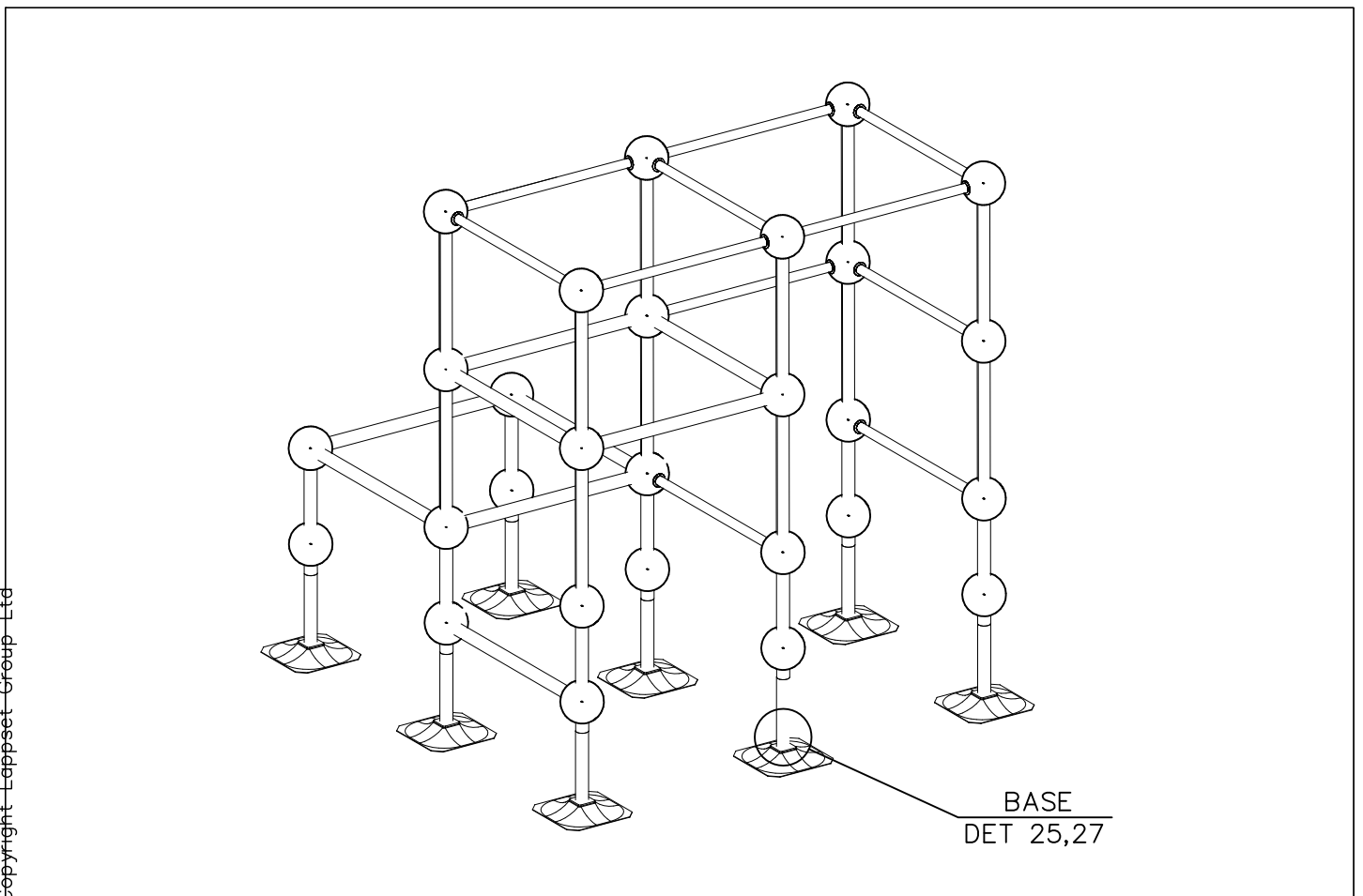
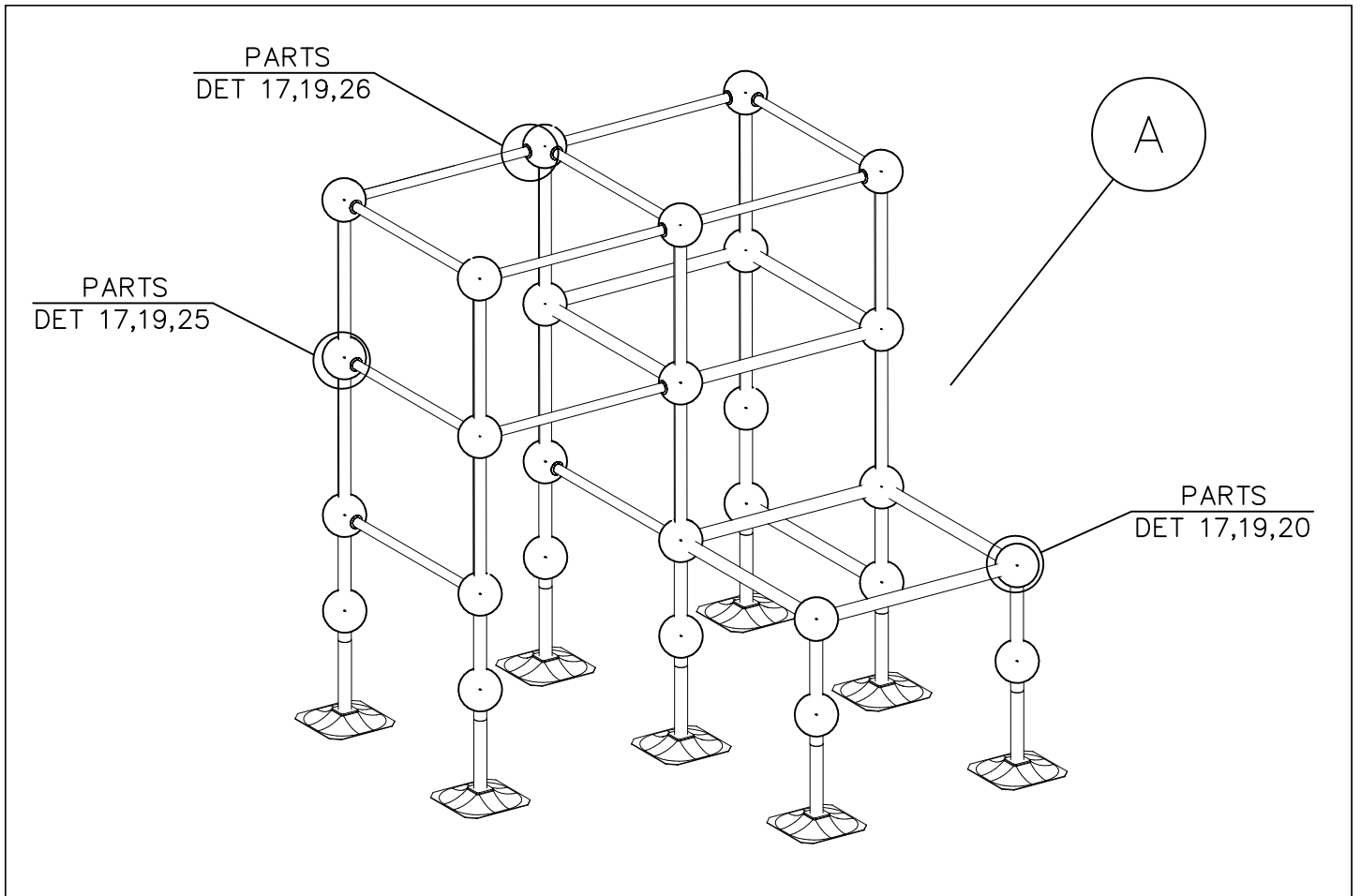


EN Impact Area 30.4 m² (327 sq ft)

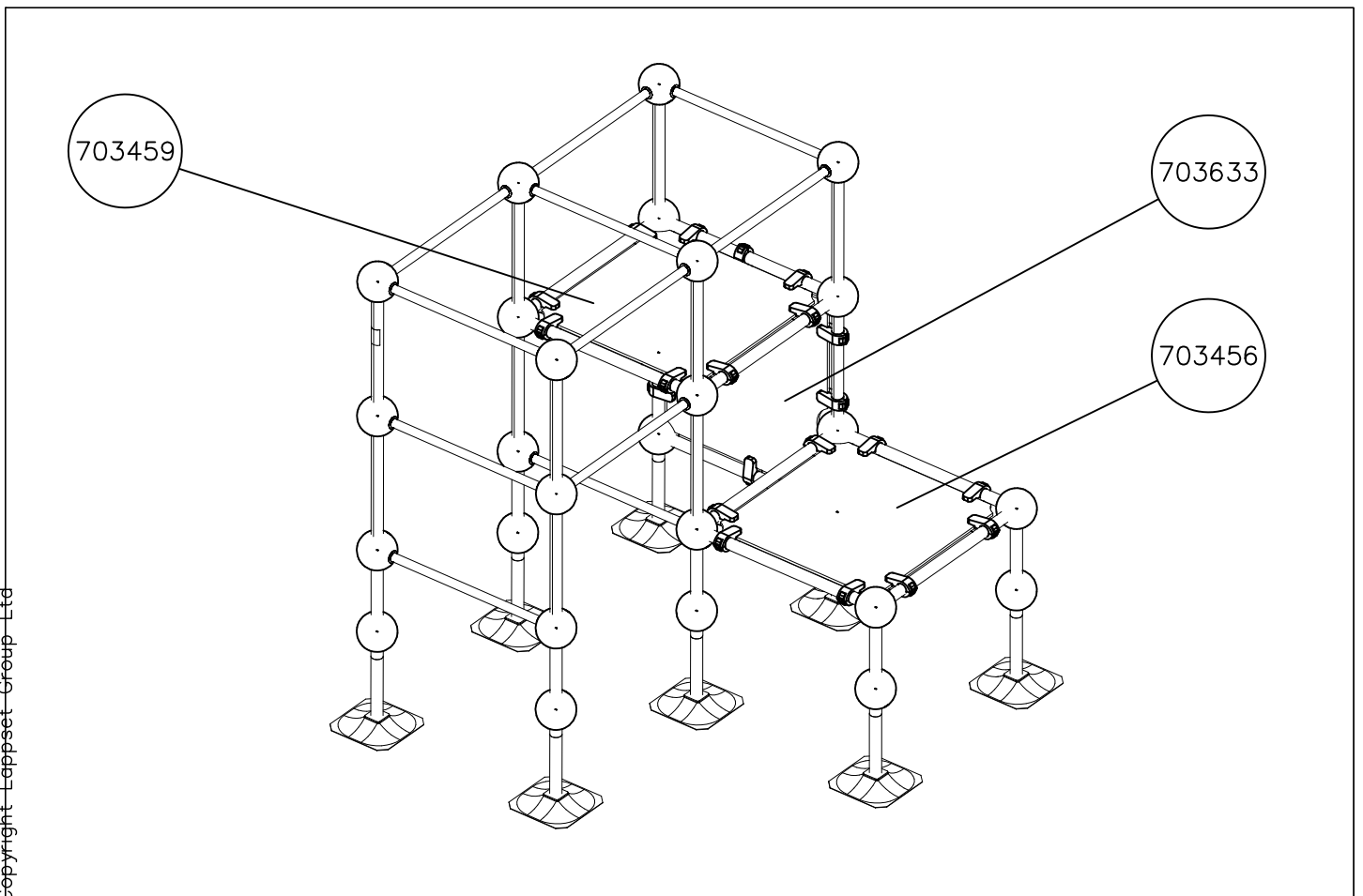
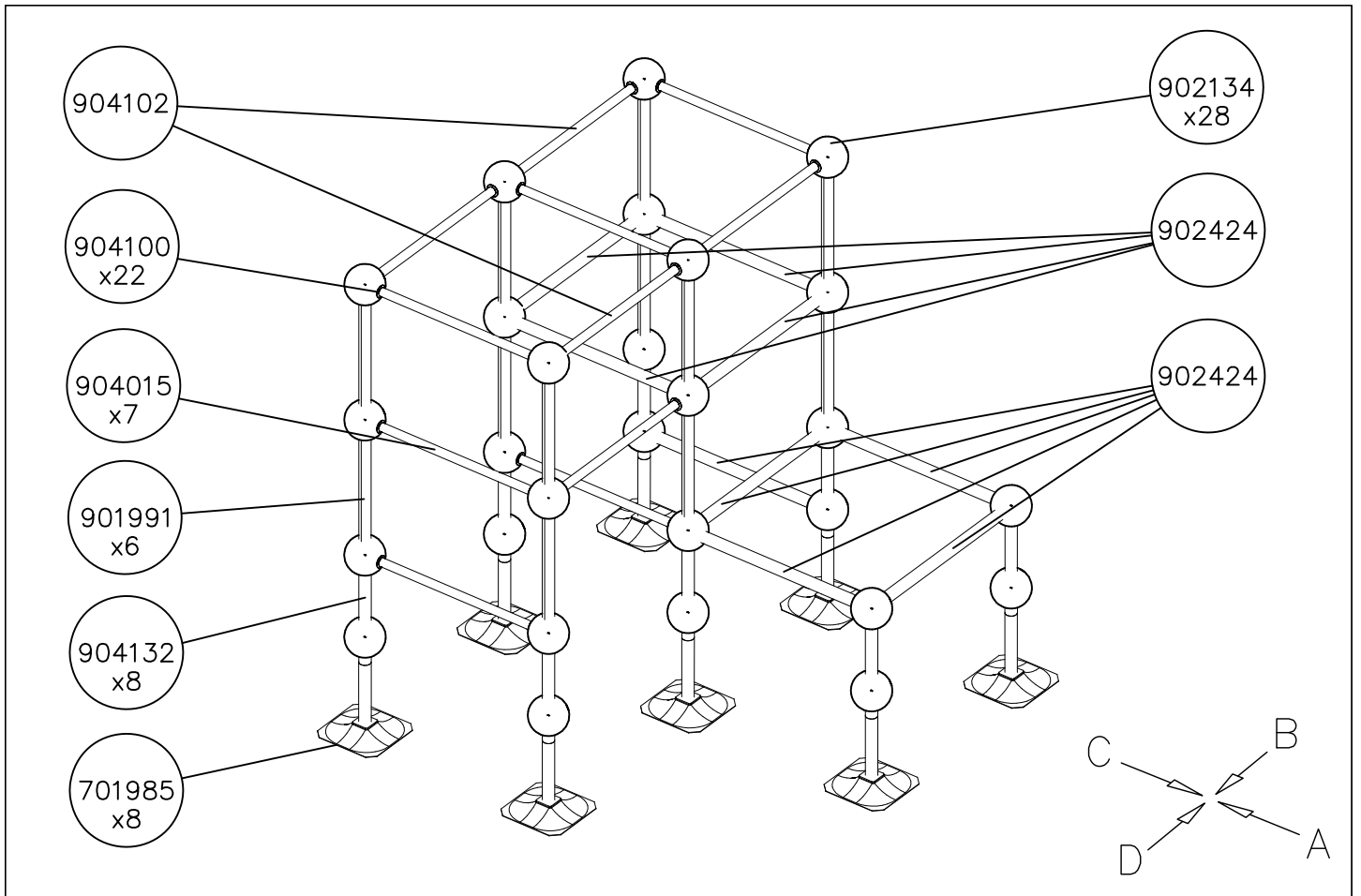
Max Falling Height 2210 mm (7'-3" in)



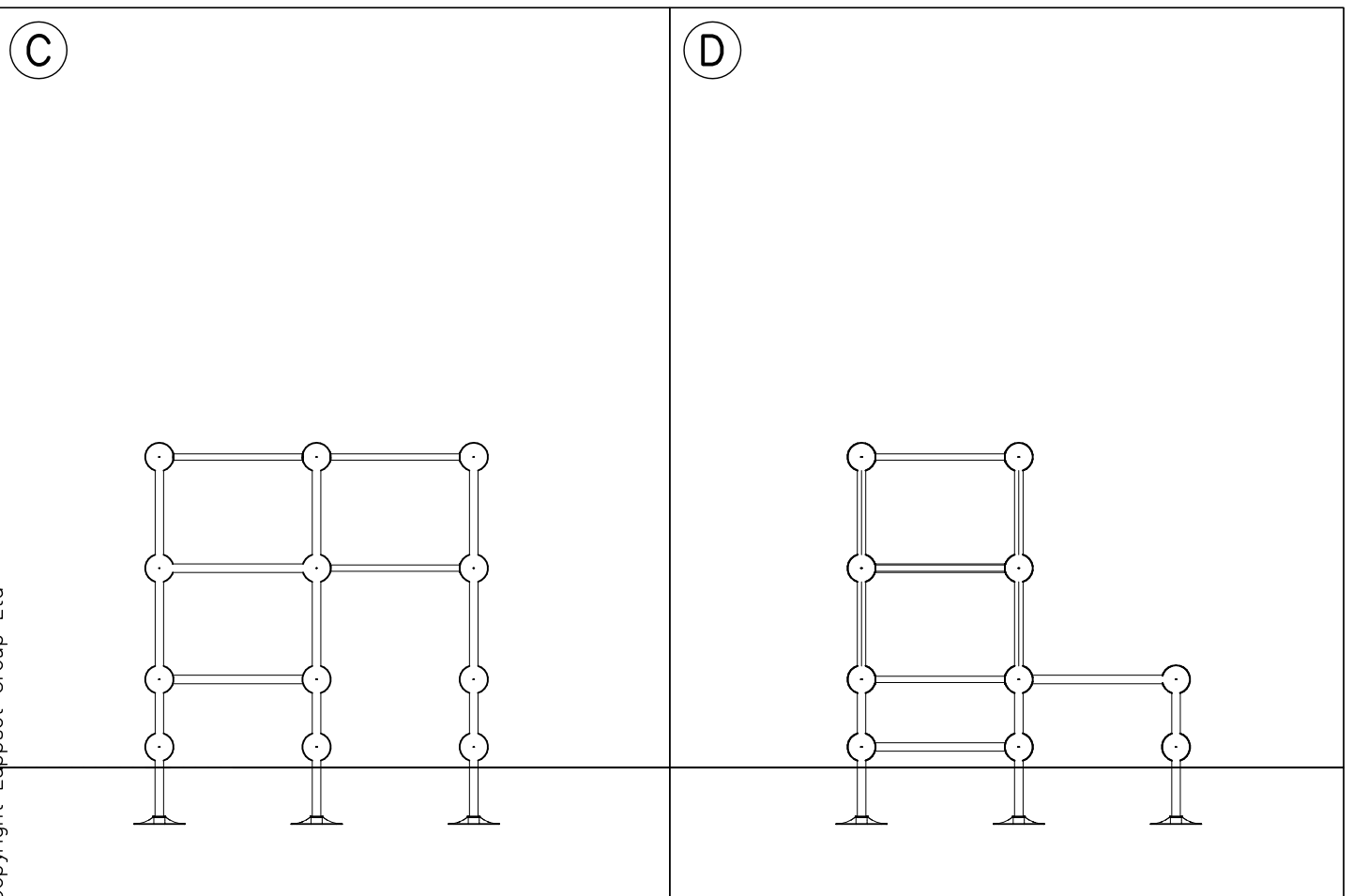
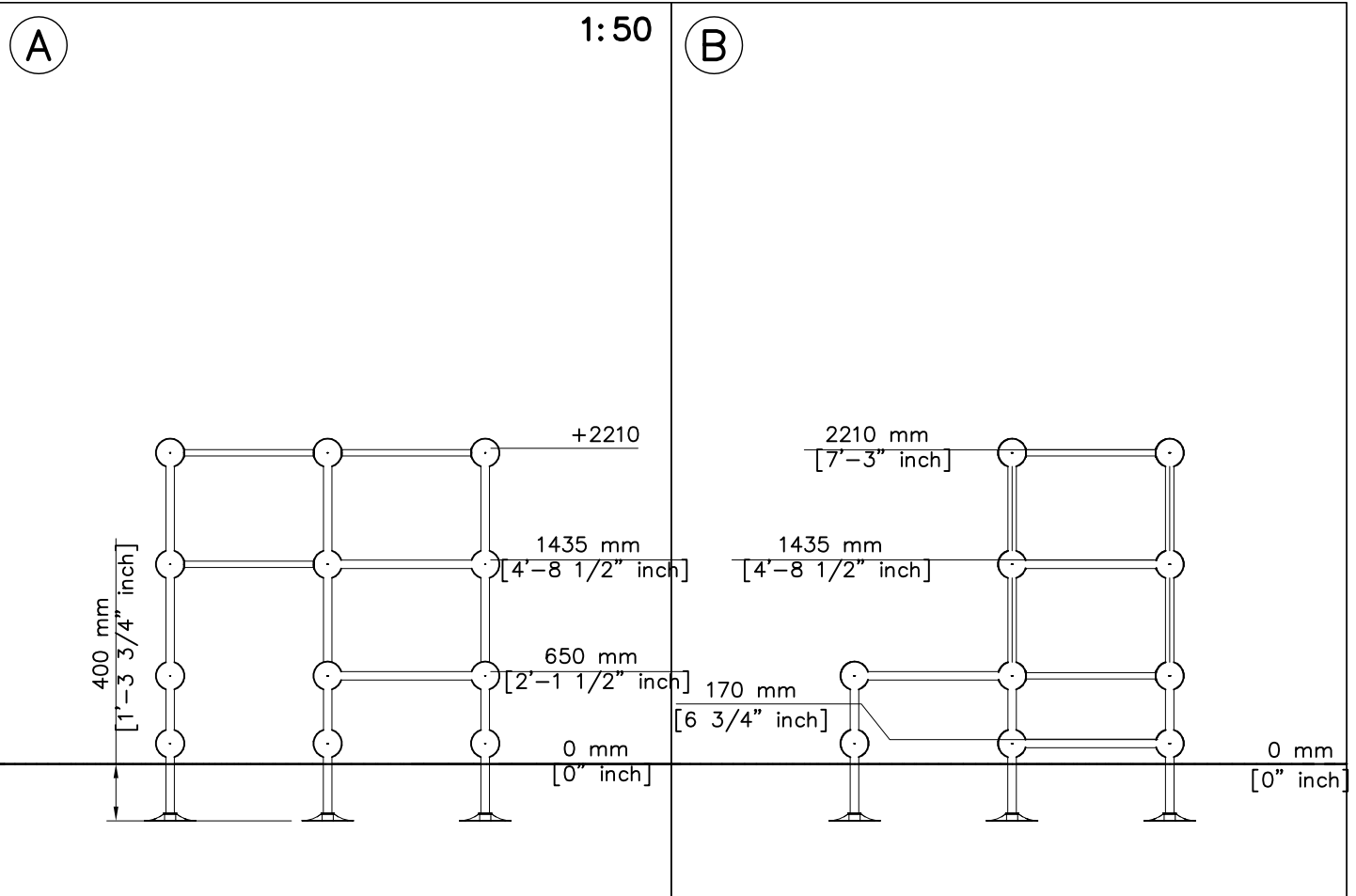


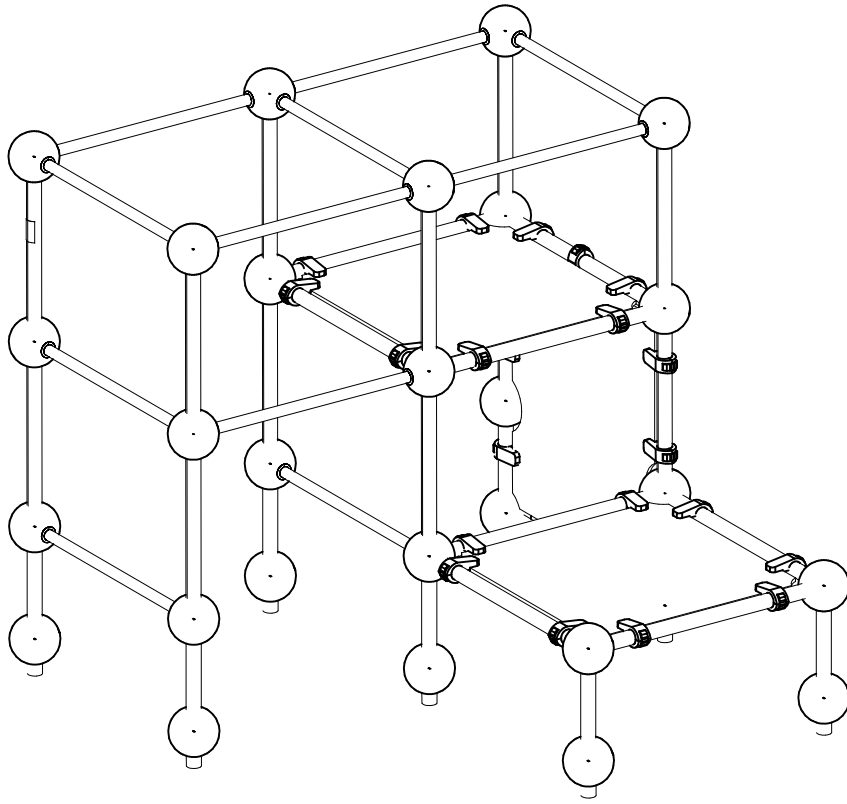


DATE: 19.3.2013

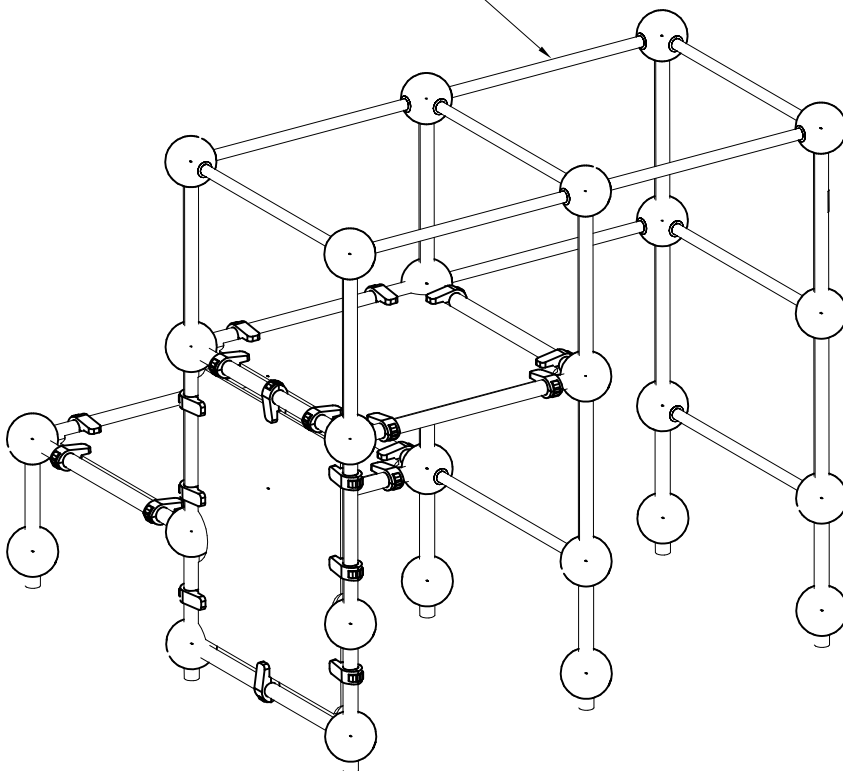


DATE: 19.3.2013





Max Falling Height 2210 mm



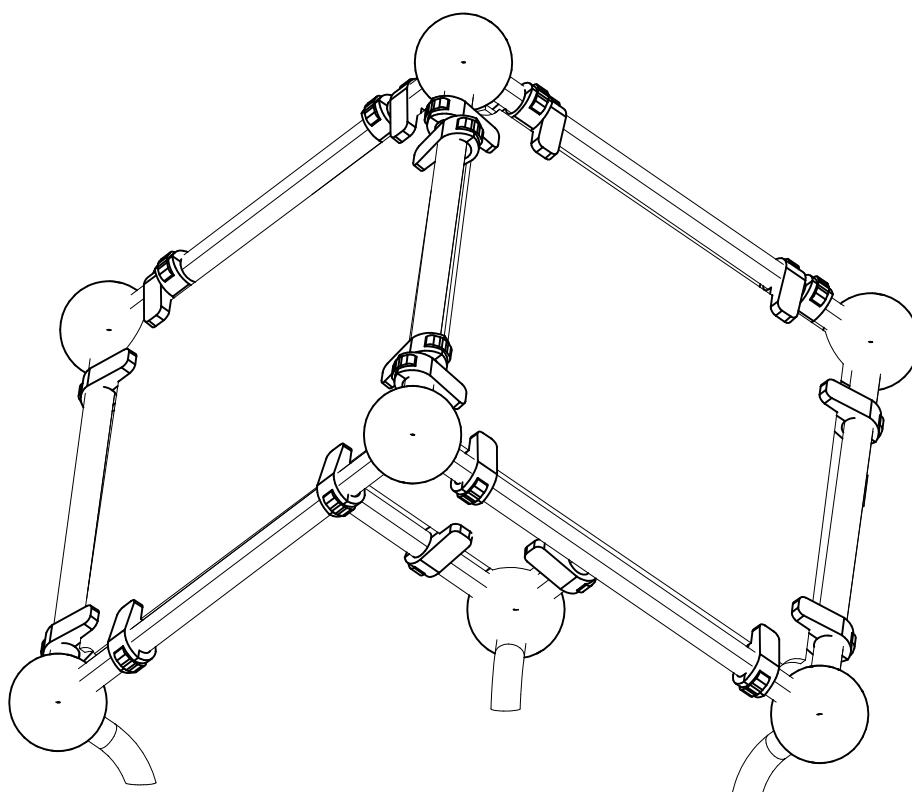
LAPPSET®

PARKOUR


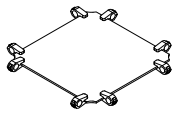

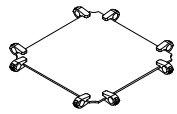

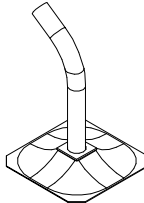

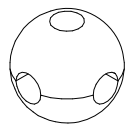

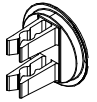
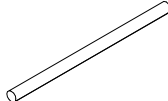
ASENNUSOHJE
MONTERINGSANSVISNING
INSTALLATION INSTRUCTION
AUFBAUANLEITUNG
NOTICE D'INSTALLATION

DATE: 21.03.2013

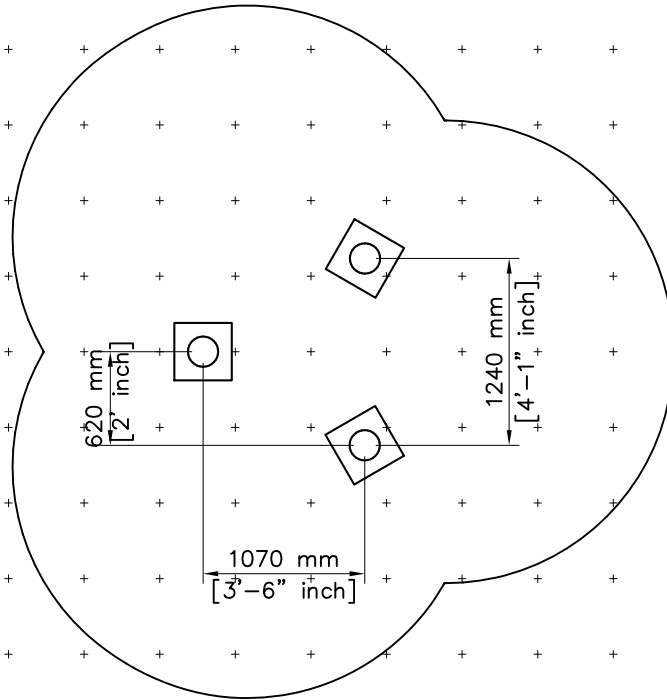
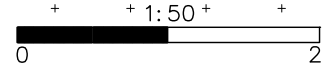
220530



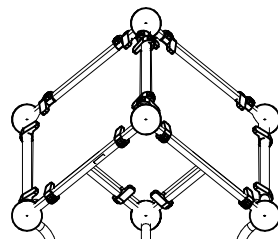
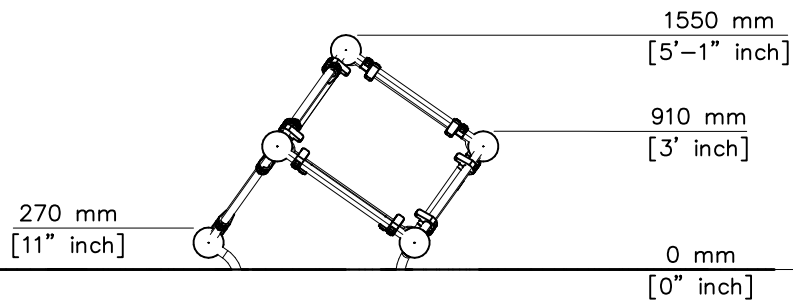
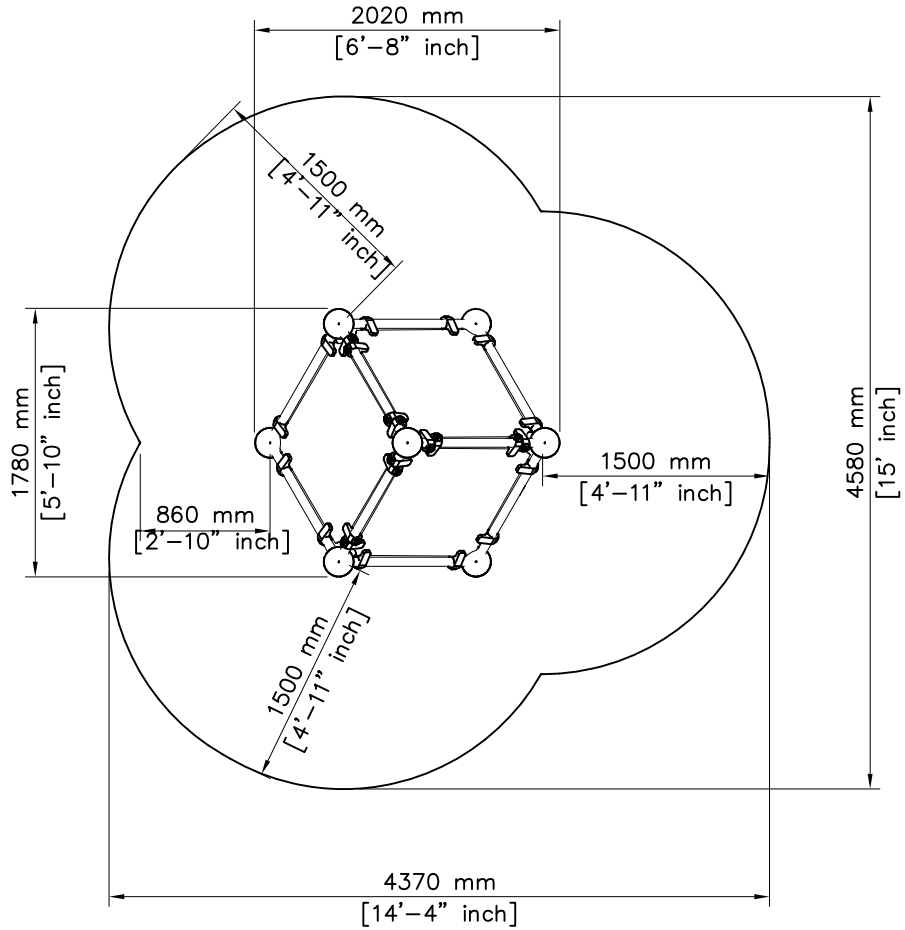
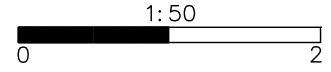
DATE: 21.03.2013

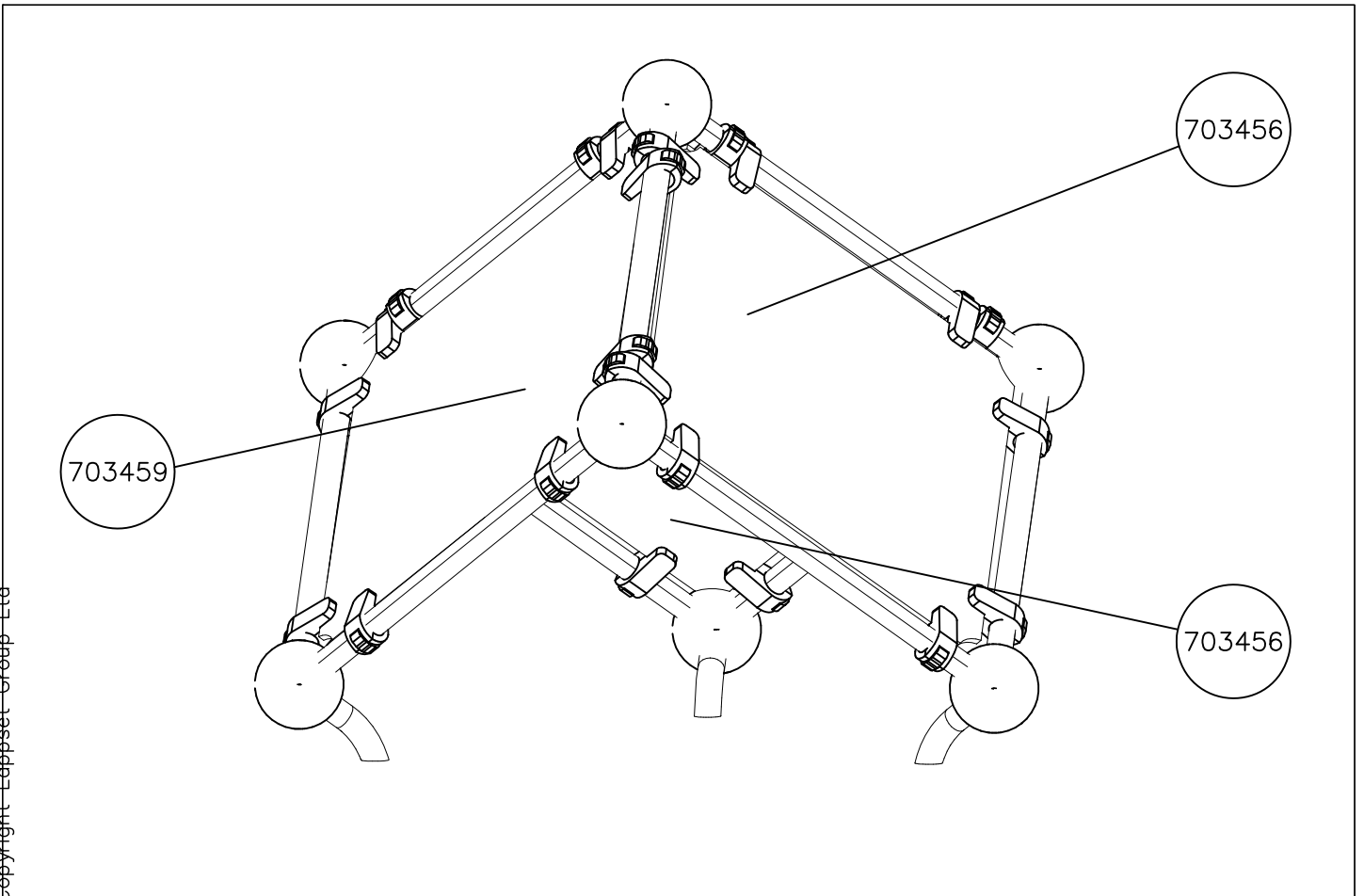
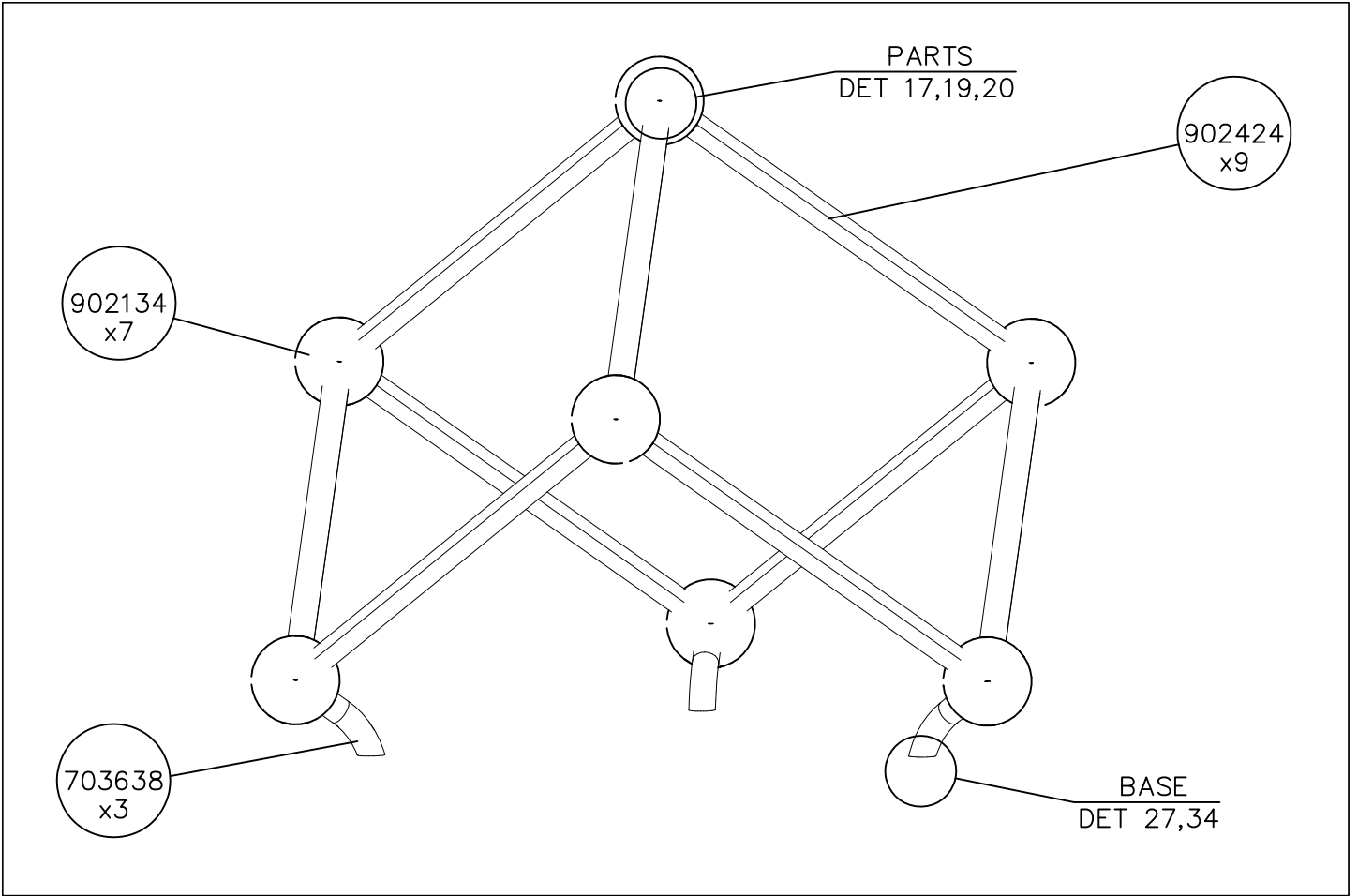
<p>702341</p>  <p>90x50</p>	<p>PCS</p> <p>1</p>	<p>703456</p>  	<p>PCS</p> <p>2</p>	<p>703459</p>  	<p>PCS</p> <p>1</p>	<p>703638</p>  	<p>PCS</p> <p>3</p>	<p>902134</p>  	<p>PCS</p> <p>7</p>	<p>902157</p>  <p>60x60x2</p>	<p>PCS</p> <p>21</p>
<p>902424</p>  <p>L 1034</p>	<p>PCS</p> <p>9</p>		<p>PCS</p>		<p>PCS</p>		<p>PCS</p>		<p>PCS</p>		<p>PCS</p>
	<p>PCS</p>		<p>PCS</p>		<p>PCS</p>		<p>PCS</p>		<p>PCS</p>		<p>PCS</p>
	<p>PCS</p>		<p>PCS</p>		<p>PCS</p>		<p>PCS</p>		<p>PCS</p>		<p>PCS</p>
	<p>PCS</p>		<p>PCS</p>		<p>PCS</p>		<p>PCS</p>		<p>PCS</p>		<p>PCS</p>
	<p>PCS</p>		<p>PCS</p>		<p>PCS</p>		<p>PCS</p>		<p>PCS</p>		<p>PCS</p>
	<p>PCS</p>		<p>PCS</p>		<p>PCS</p>		<p>PCS</p>		<p>PCS</p>		<p>PCS</p>

EN Impact Area 15 m² (161 sq ft)
Grid size = 500 mm (20" in)

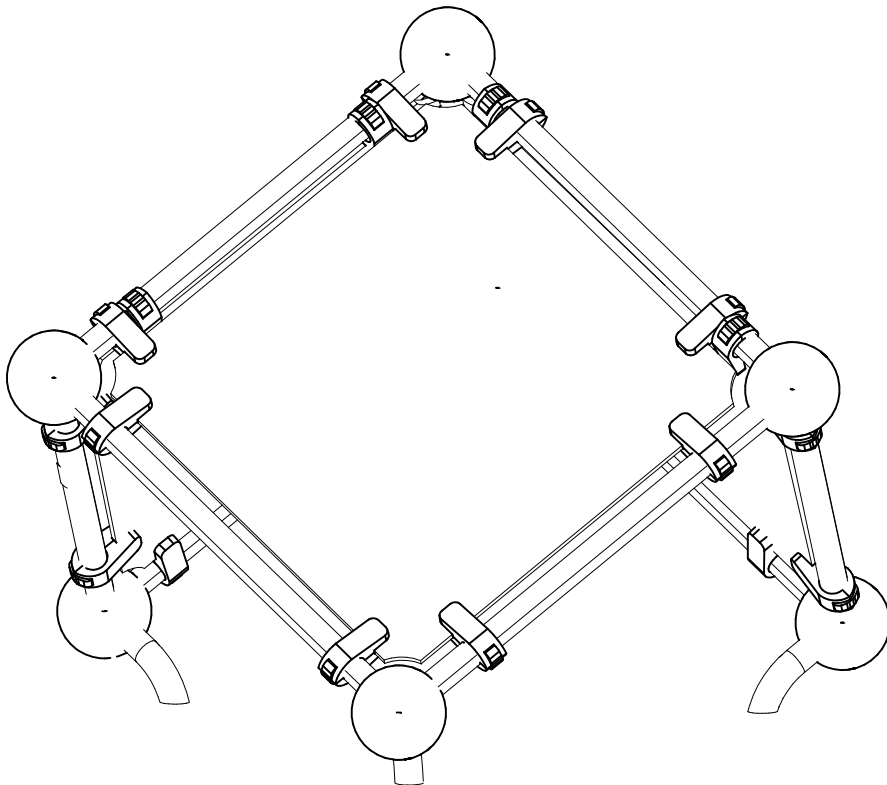
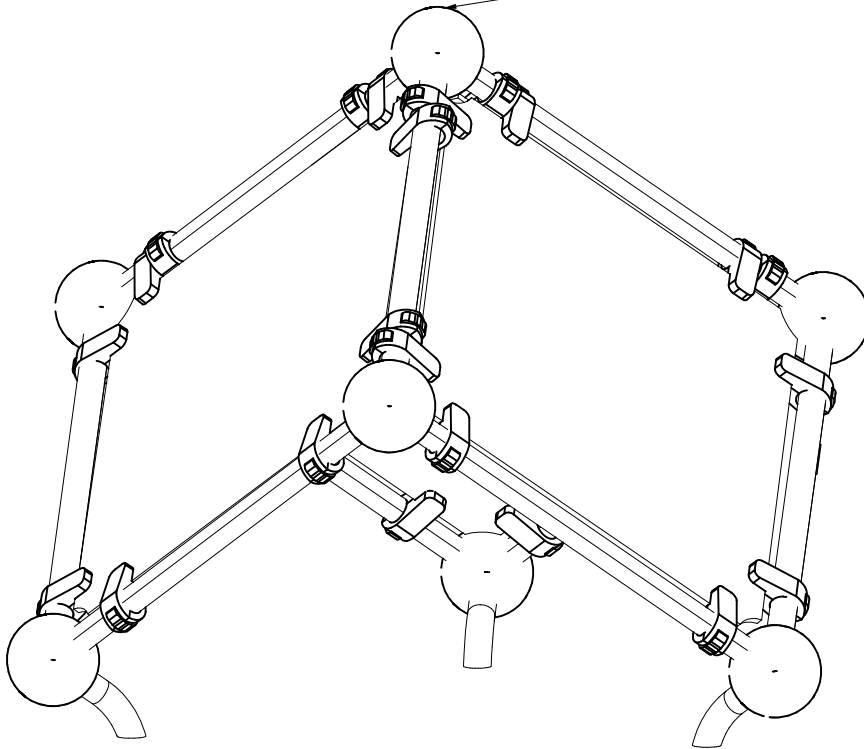


EN Impact Area 15 m² (161 sq ft)
 Max falling height 1550 mm. (5'-1" in)





Max Falling Height 1550 mm



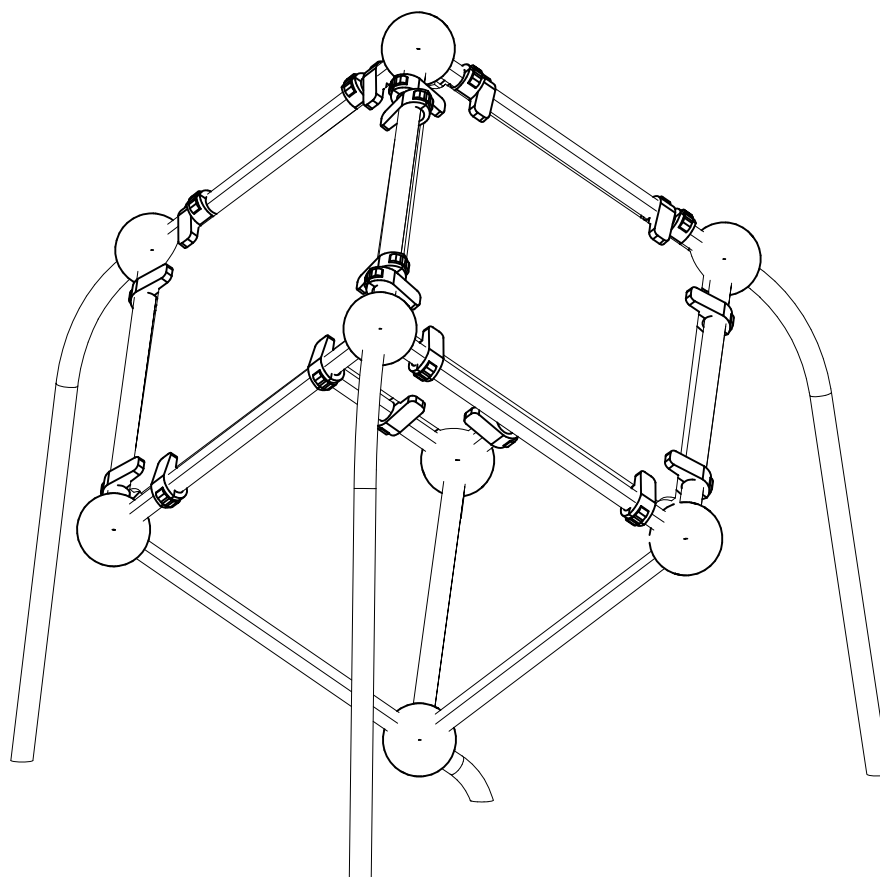
LAPPSET®

PARKOUR

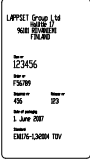
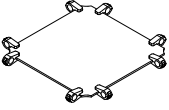
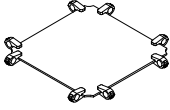
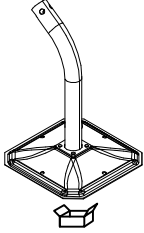

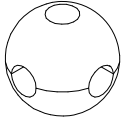





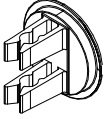
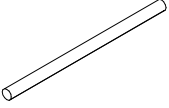
ASENNUSOHJE
MONTERINGSANSVISNING
INSTALLATION INSTRUCTION
AUFBAUANLEITUNG
NOTICE D'INSTALLATION

DATE: 23.2.2015

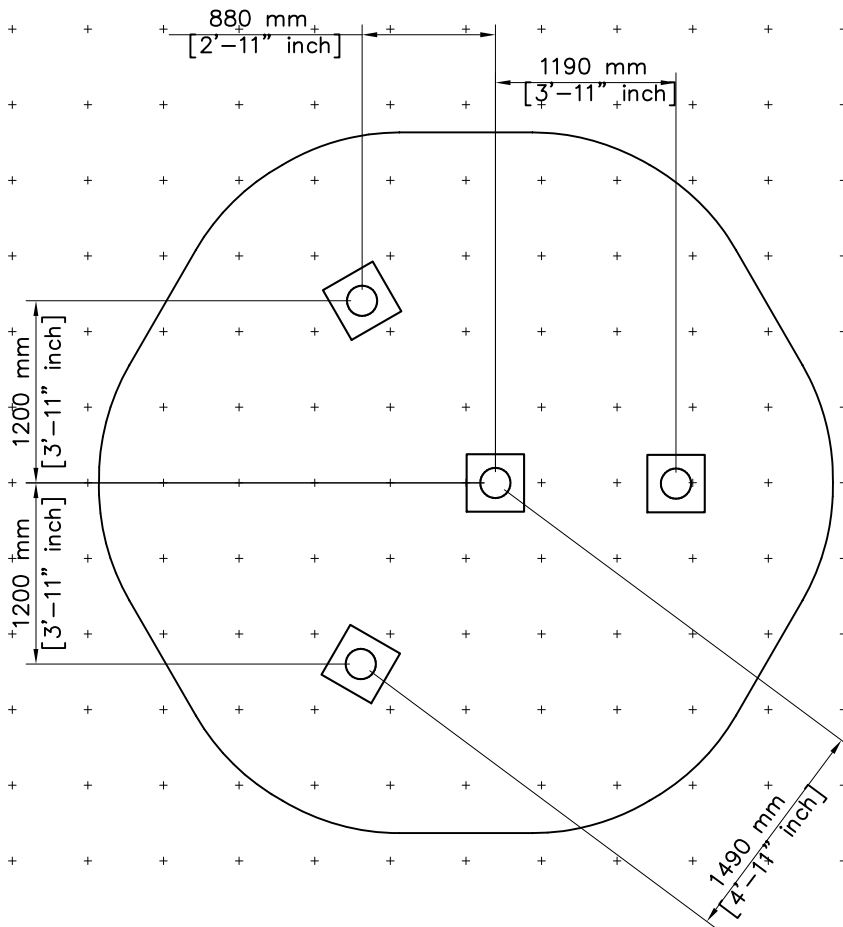
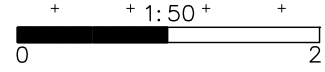
220531



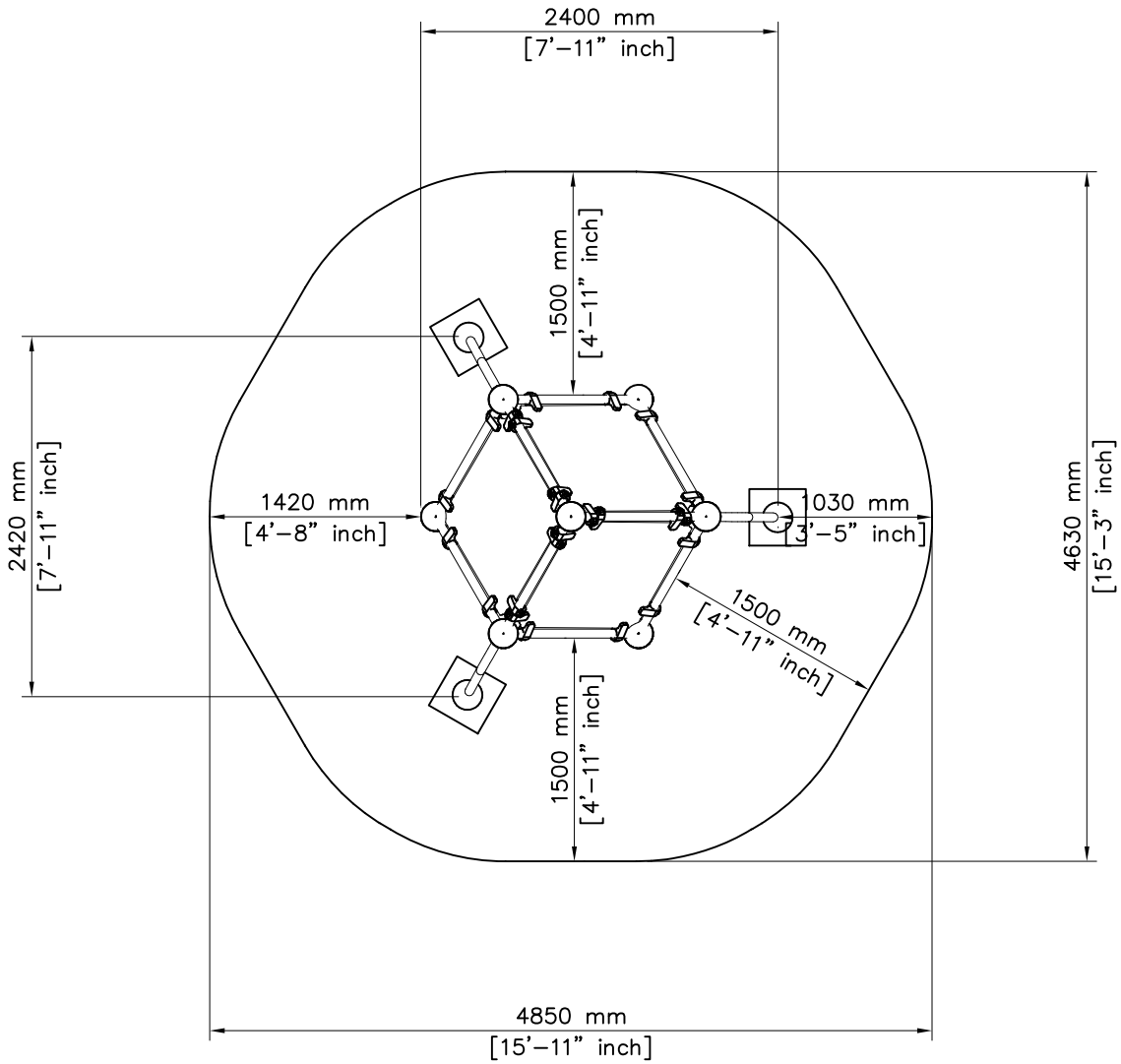
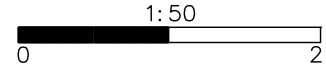
DATE: 23.2.2015

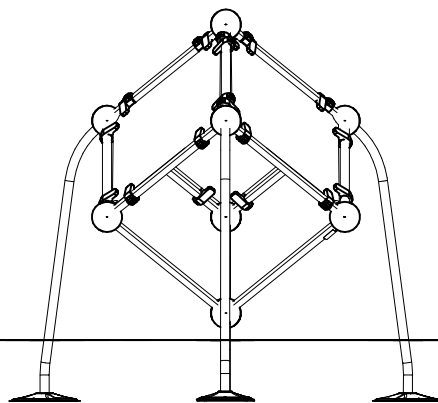
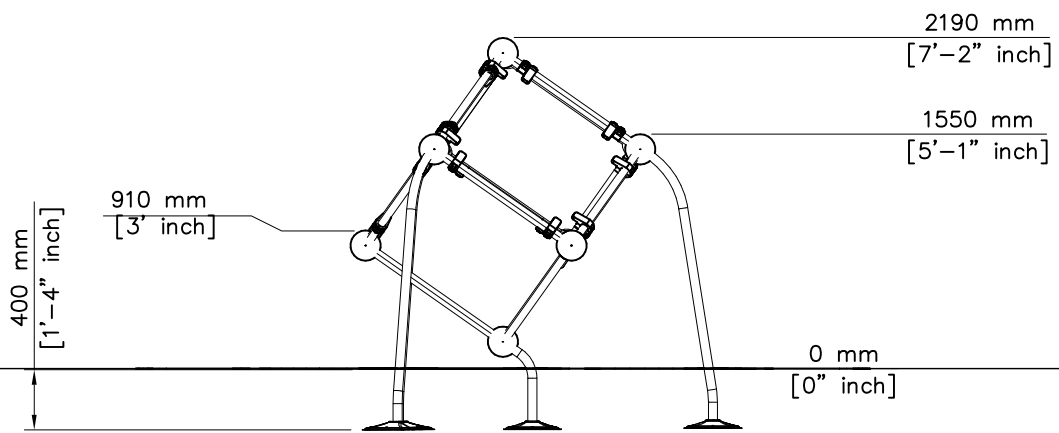
702341	PCS	703456	PCS	703459	PCS	703638	PCS	703640	PCS	902134	PCS
	1		2		1		1		3		8
90x50											
904747	PCS	902424	PCS		PCS		PCS		PCS		PCS
	20		12								
60x60x2		L 1034									
	PCS		PCS		PCS		PCS		PCS		PCS
	PCS		PCS		PCS		PCS		PCS		PCS
	PCS		PCS		PCS		PCS		PCS		PCS
	PCS		PCS		PCS		PCS		PCS		PCS

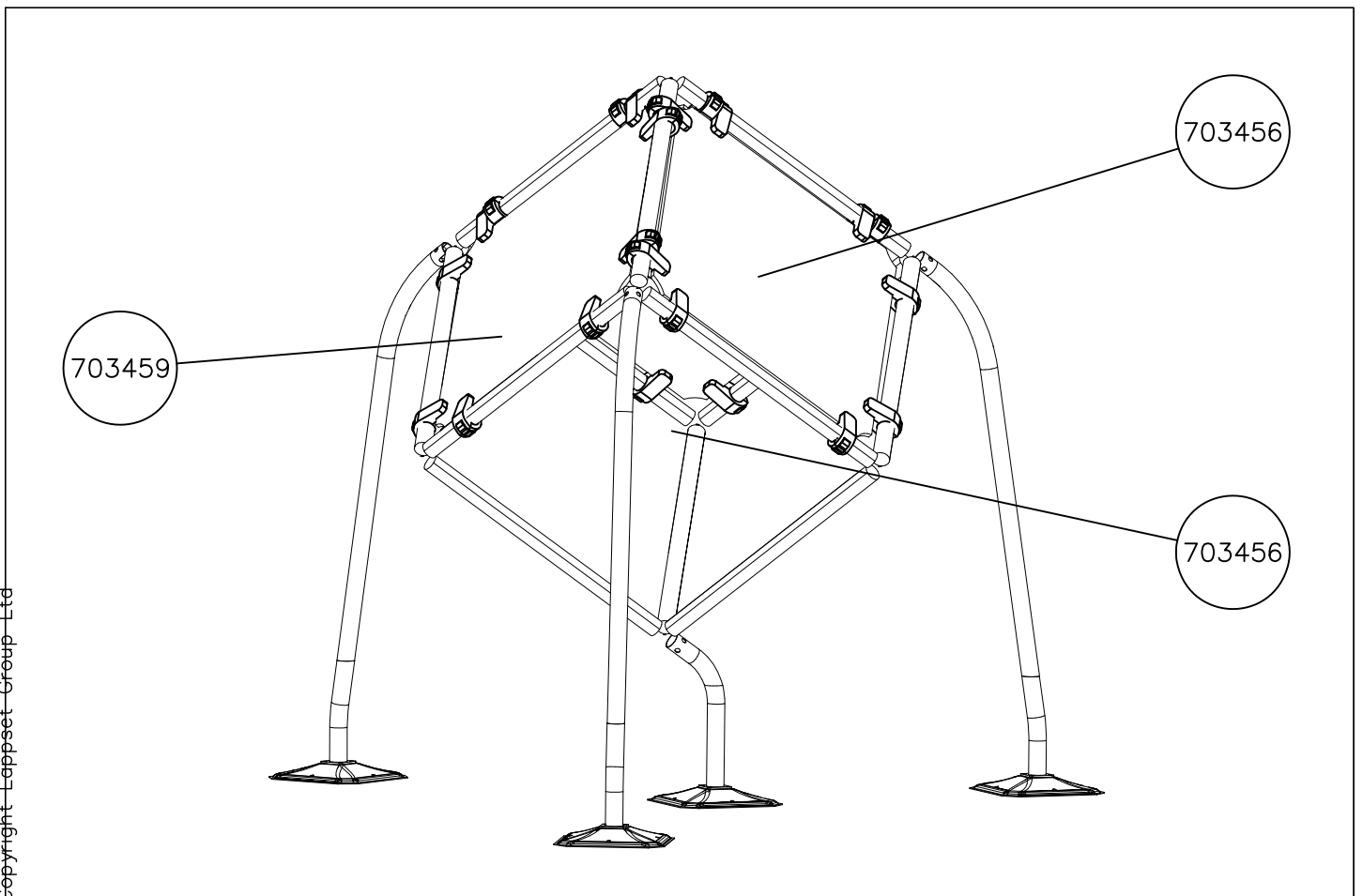
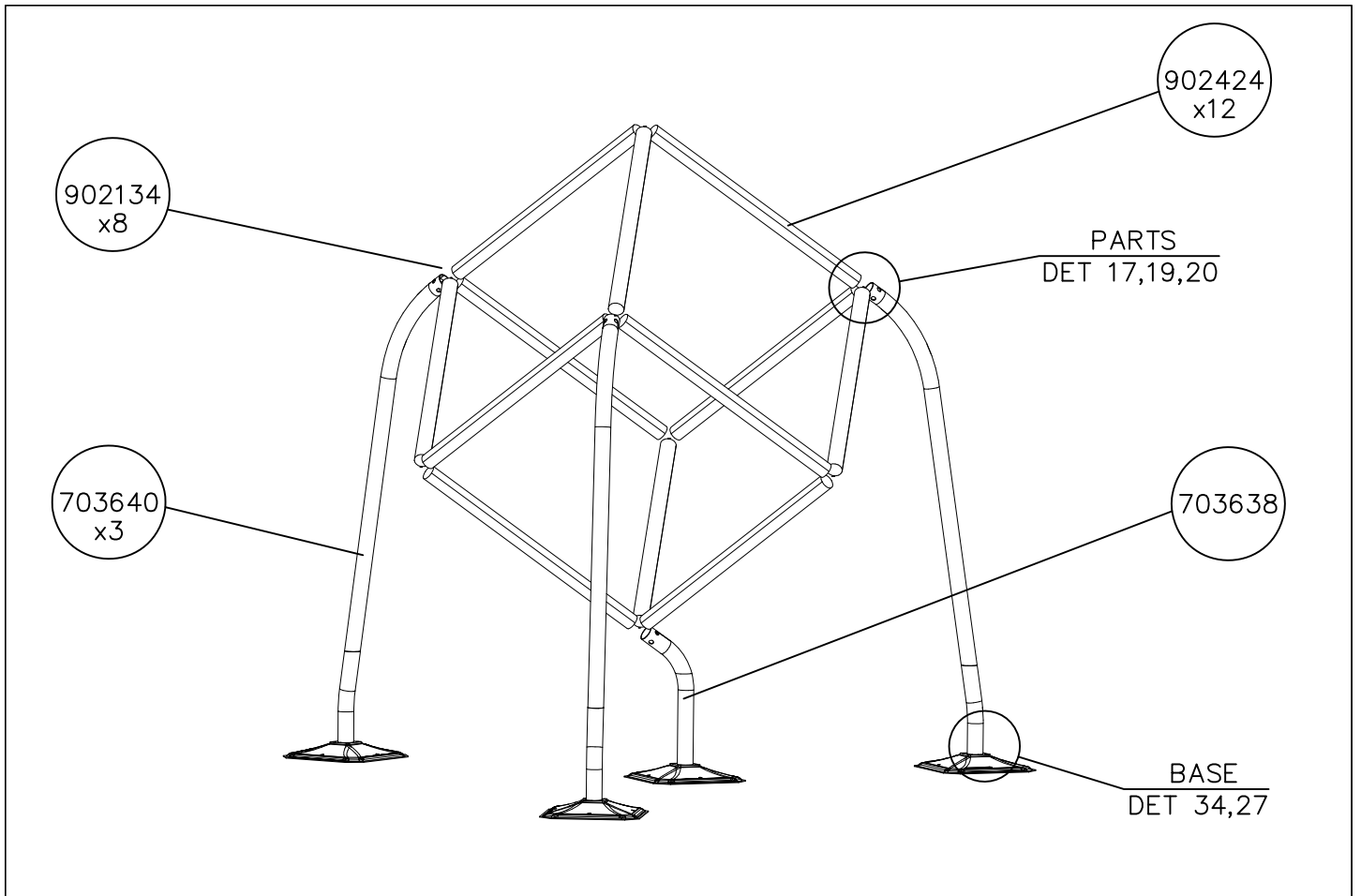
EN/AS Impact Area 17.8 m² (192 sq ft)
Falling Space Area 17.8 m² (192 sq ft)
Grid size = 500 mm (20" in)



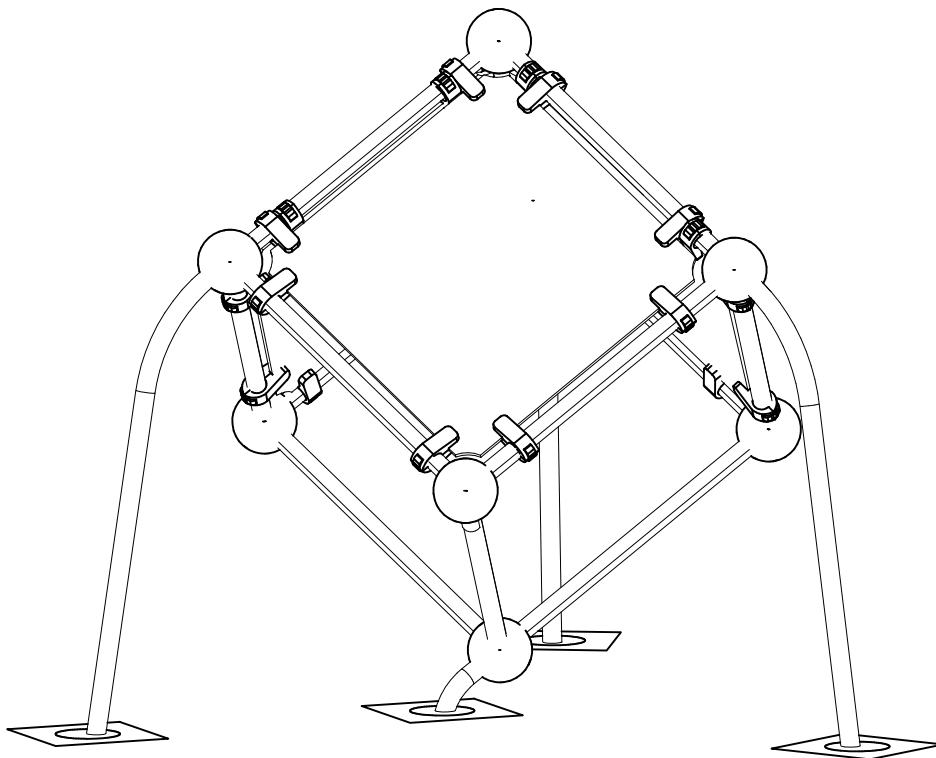
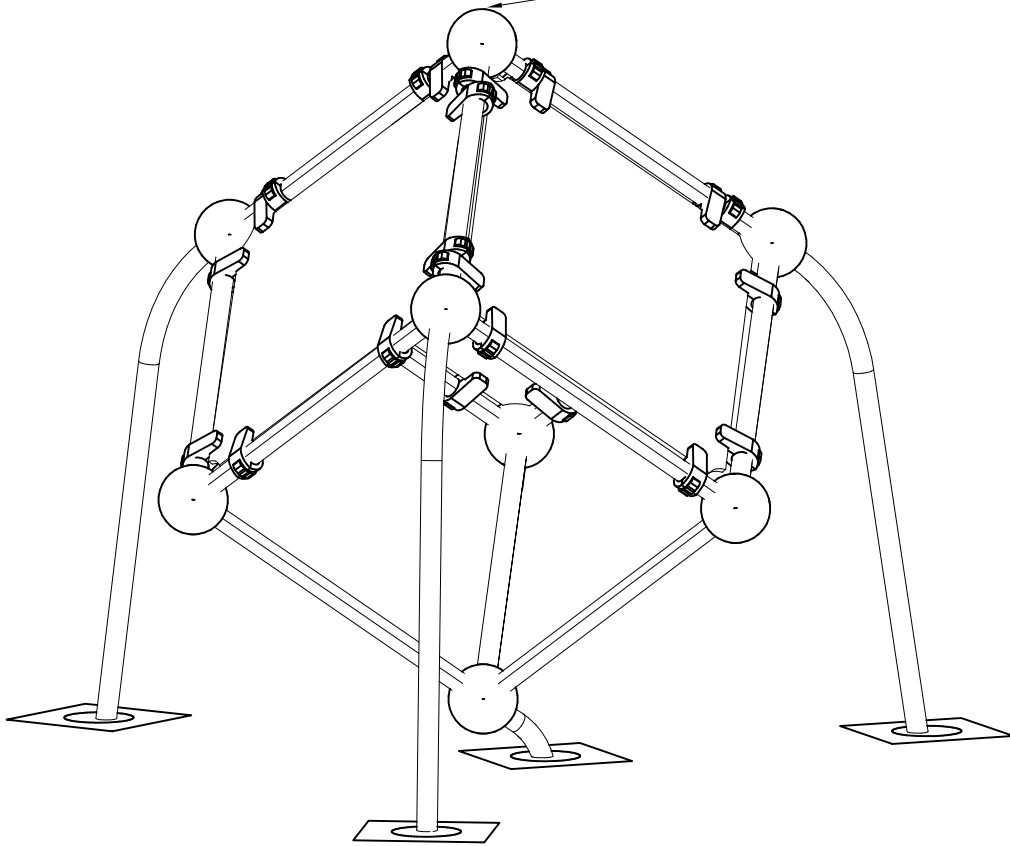
EN Impact Area 17.8 m² (192 sq ft)
Falling Space Area 17.8 m² (192 sq ft)
Max Falling Height 2190 mm (7'-2" in)







Max Falling Height 2190 mm



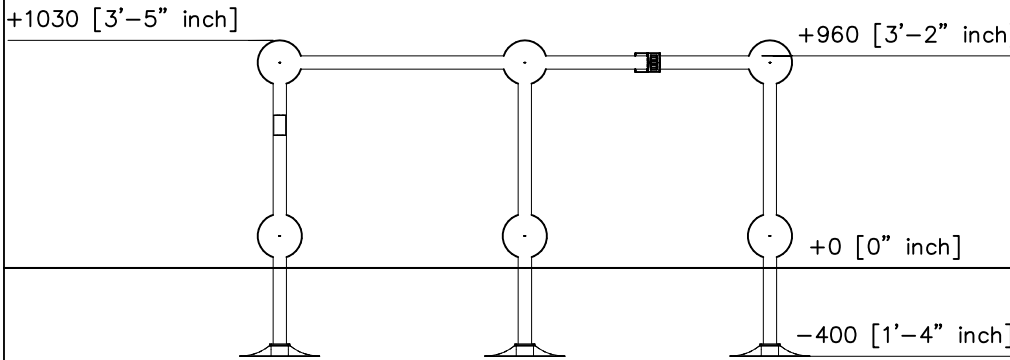
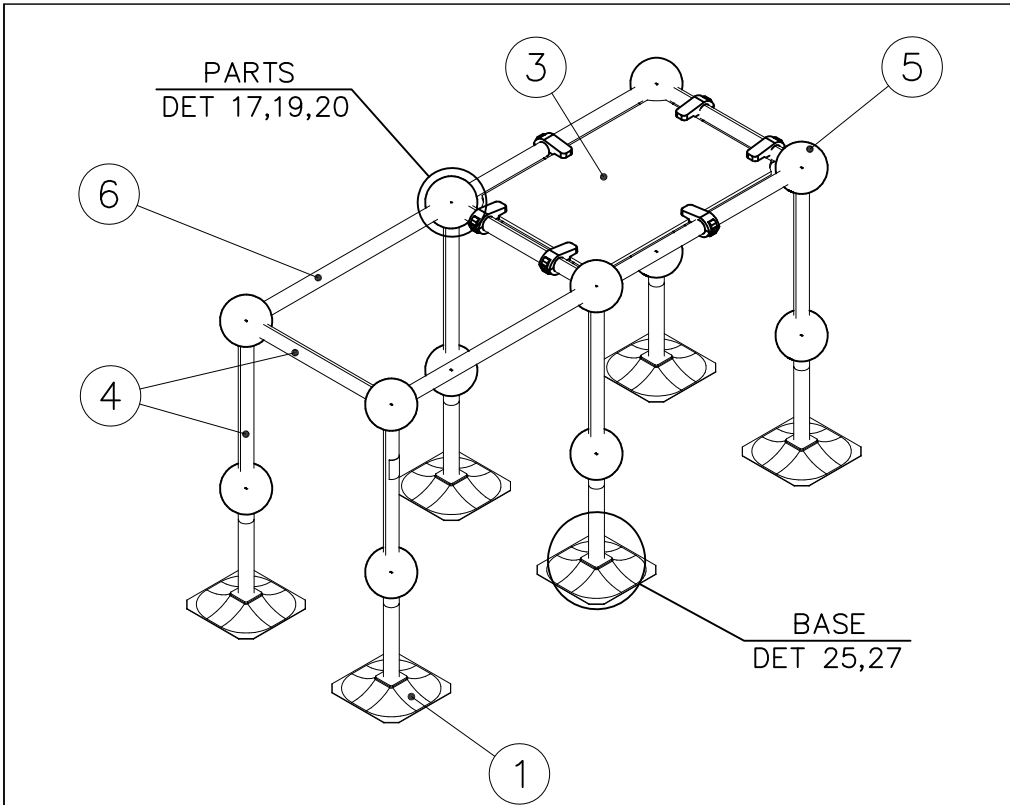
LAPPSET®

PARKOUR

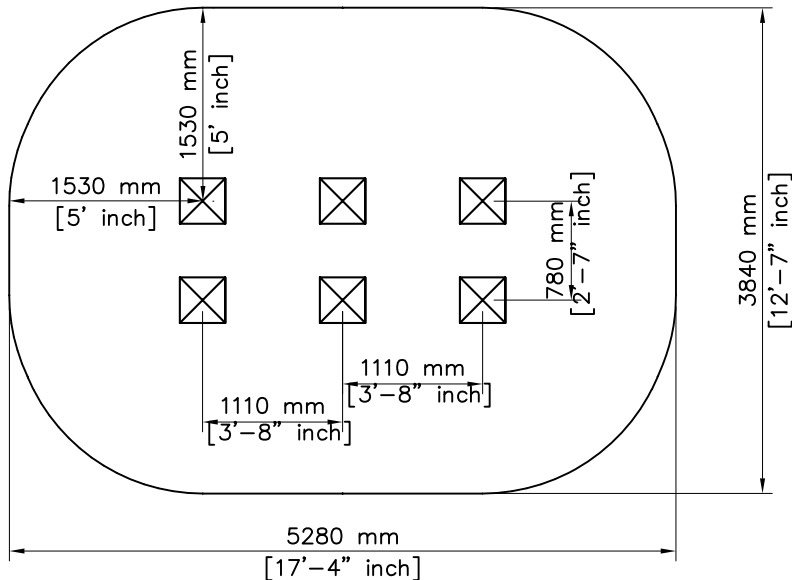
220545

DATE: 24.2.2015

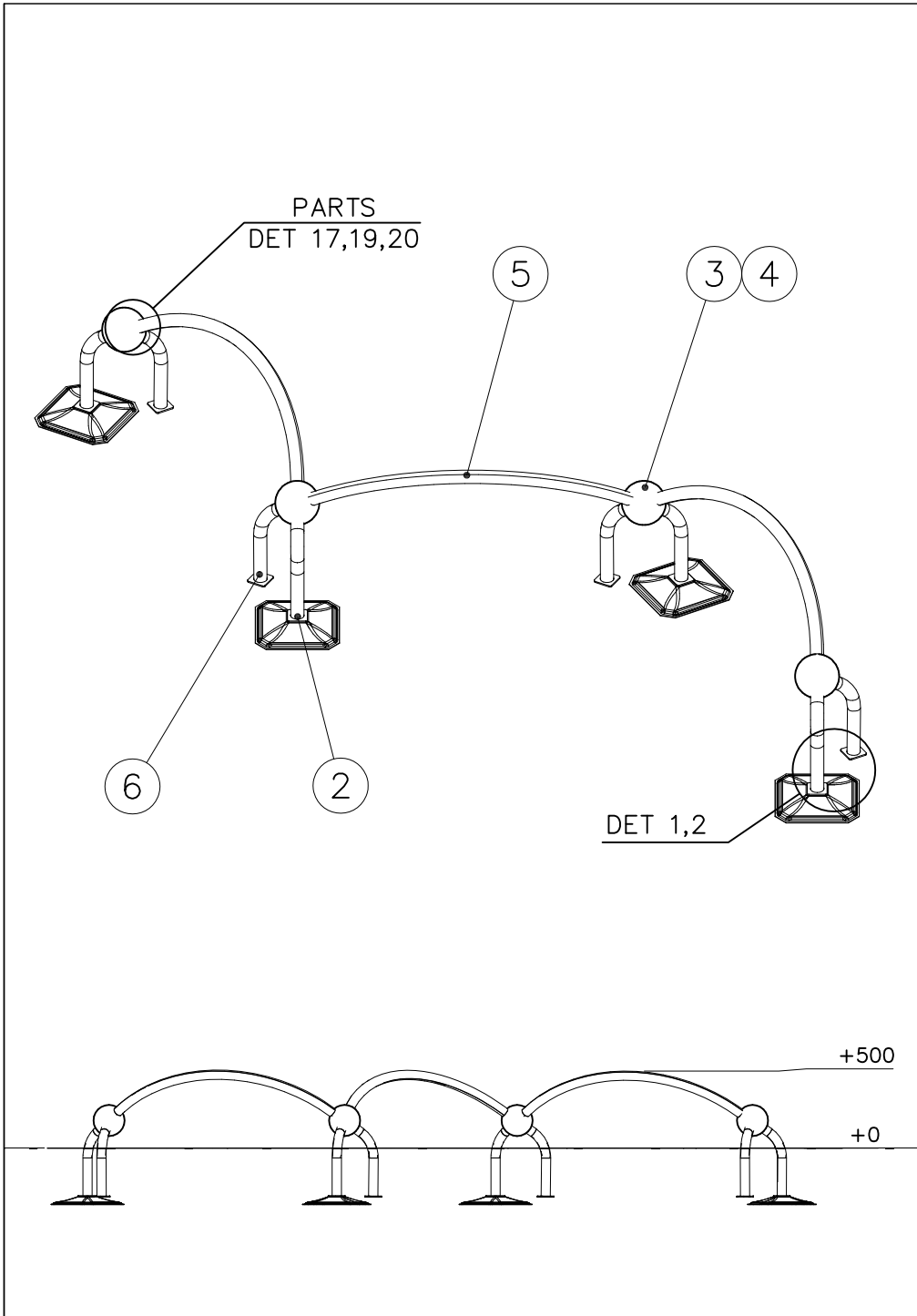
1(1)



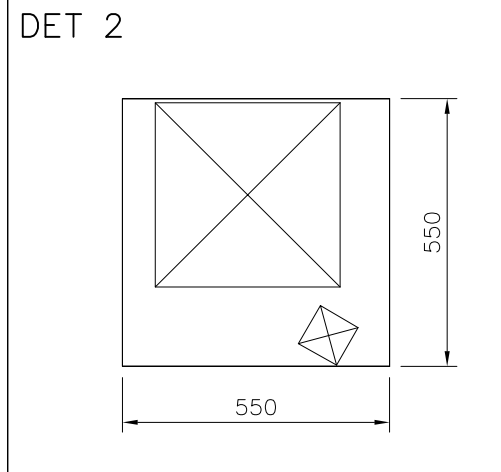
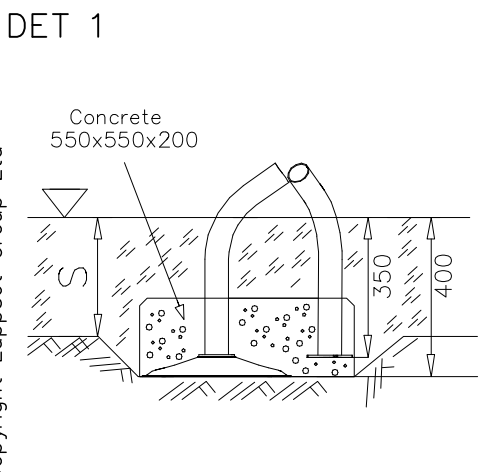
EN/AS Impact Area 18.2 m2 (196 sq ft)
 Falling Space Area 18.2 m2 (196 sq ft)
 Max Falling Height 960 mm (3'-2" in)



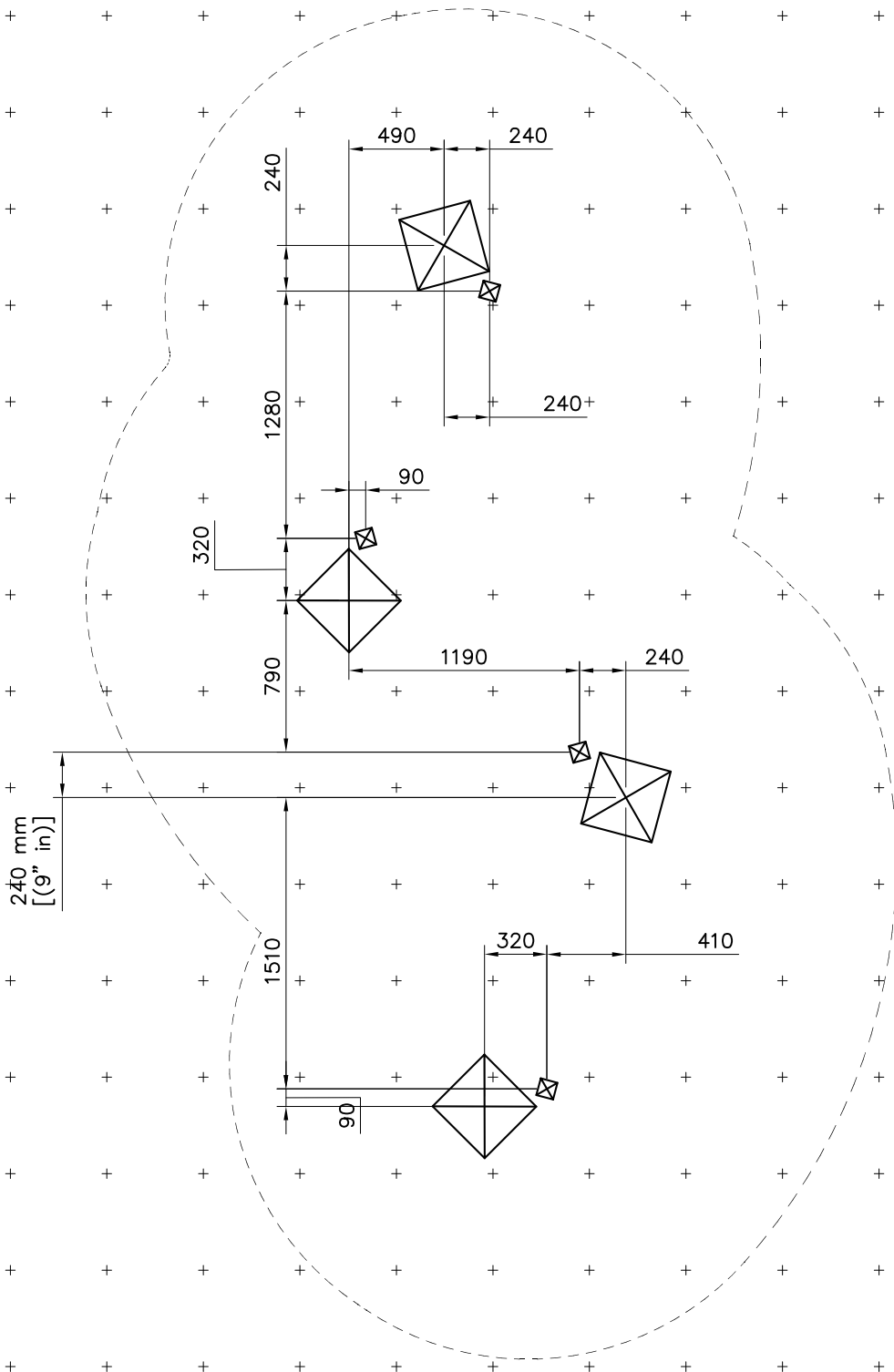
① 701985	PCS	② 702341	PCS
	6		1
		90x50	
③ 703486	PCS	④ 902022	PCS
	1		9
		L 710	
⑤ 902134	PCS	⑥ 902424	PCS
	12		4
		L 1034	
⑦ 904747	PCS		PCS
	40		
60x60x2			
	PCS		PCS
	PCS		PCS
	PCS		PCS
	PCS		PCS



① 702341 90x50	PCS 1	② 703638 90x50	PCS 4
③ 902134 90x50	PCS 4	④ 904747 60x60x2	PCS 10
⑤ 902418 	PCS 3	⑥ 904146 	PCS 4
	PCS		PCS
	PCS		PCS
	PCS		PCS
	PCS		PCS
	PCS		PCS



----- Falling Space 21.3 m²
 Max Falling Height 500 mm
 Grid size = 500 mm.



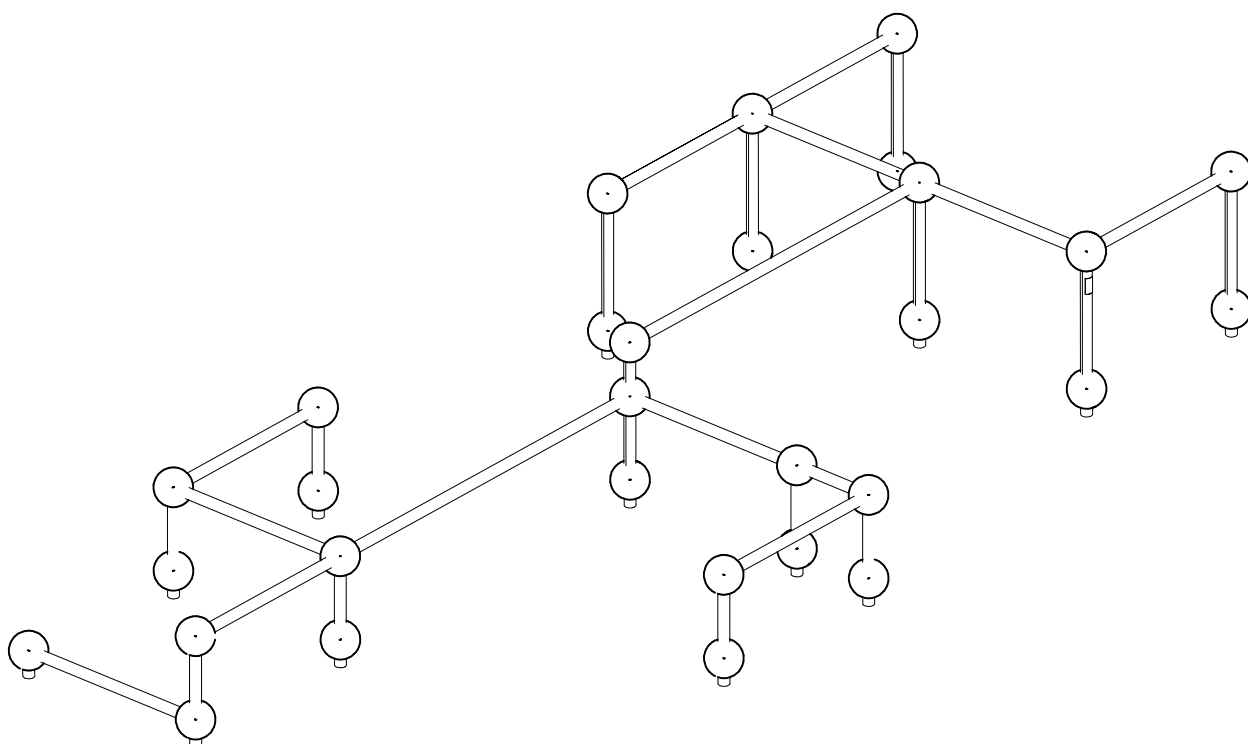
LAPPSET®

PARKOUR

ASENNUSOHJE
MONTERINGSANSVISNING
INSTALLATION INSTRUCTION
AUFBAUANLEITUNG
NOTICE D'INSTALLATION

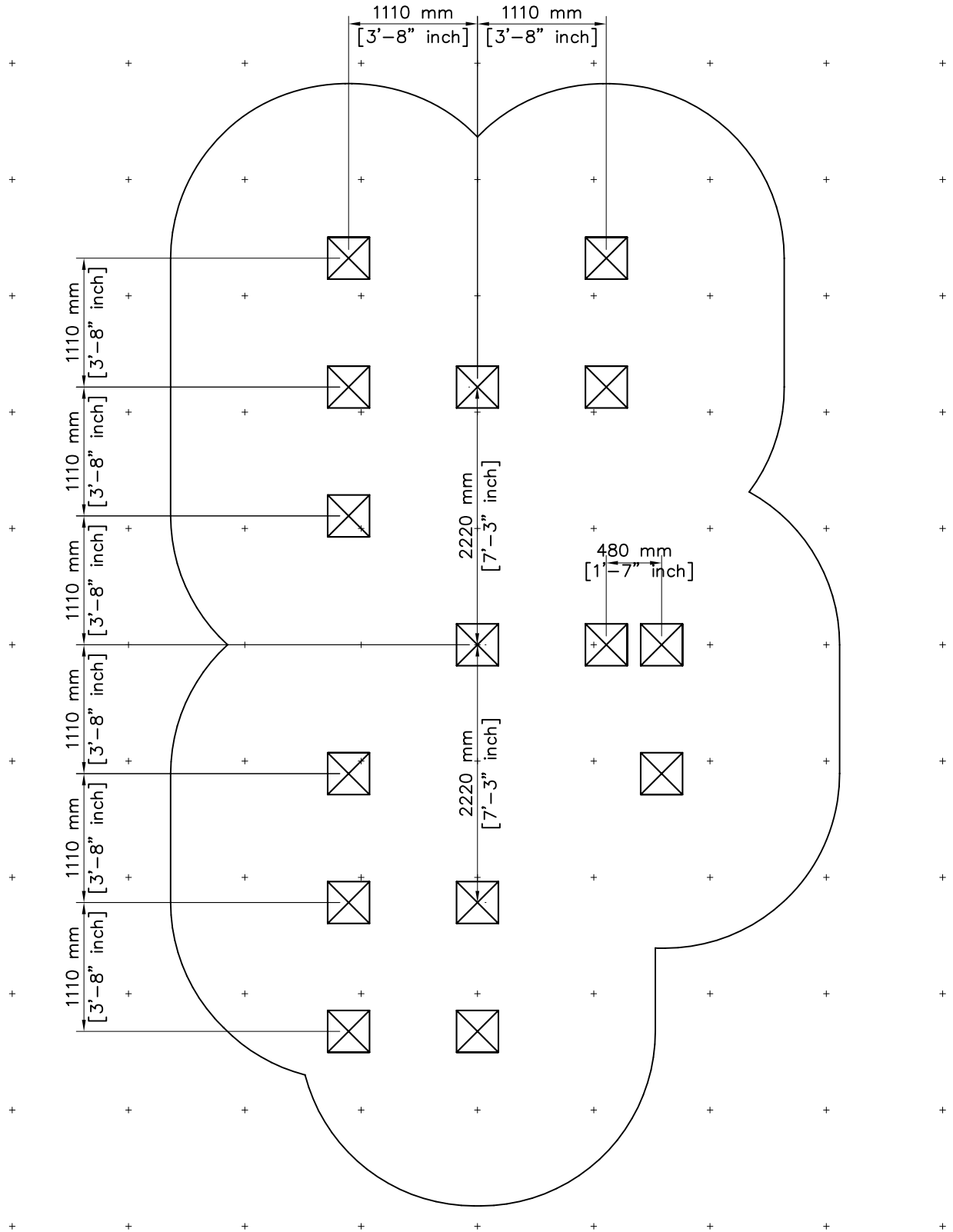
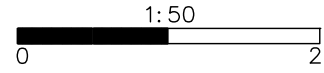
DATE: 24.2.2015

220549

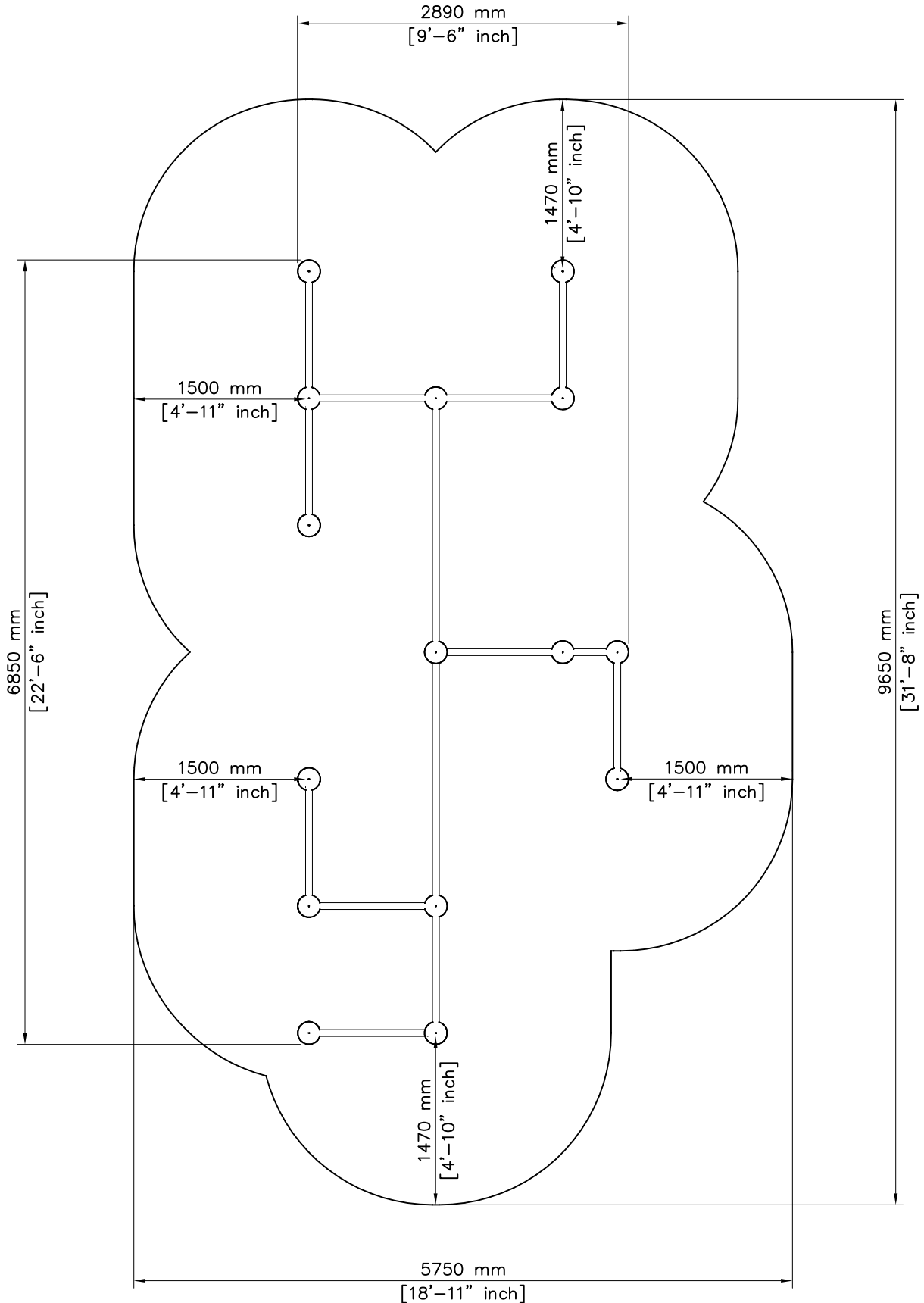
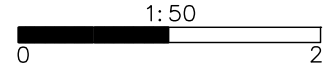


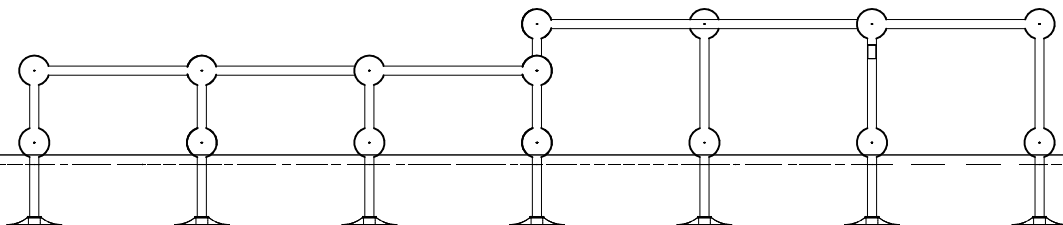
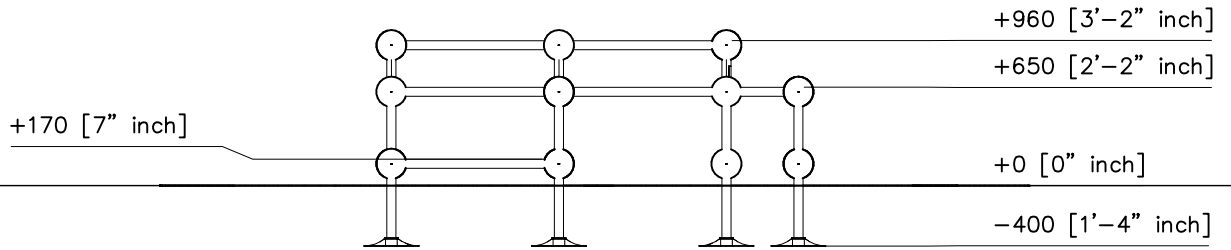
EN/AS Impact Area 45.2 m2 (487 sq ft)

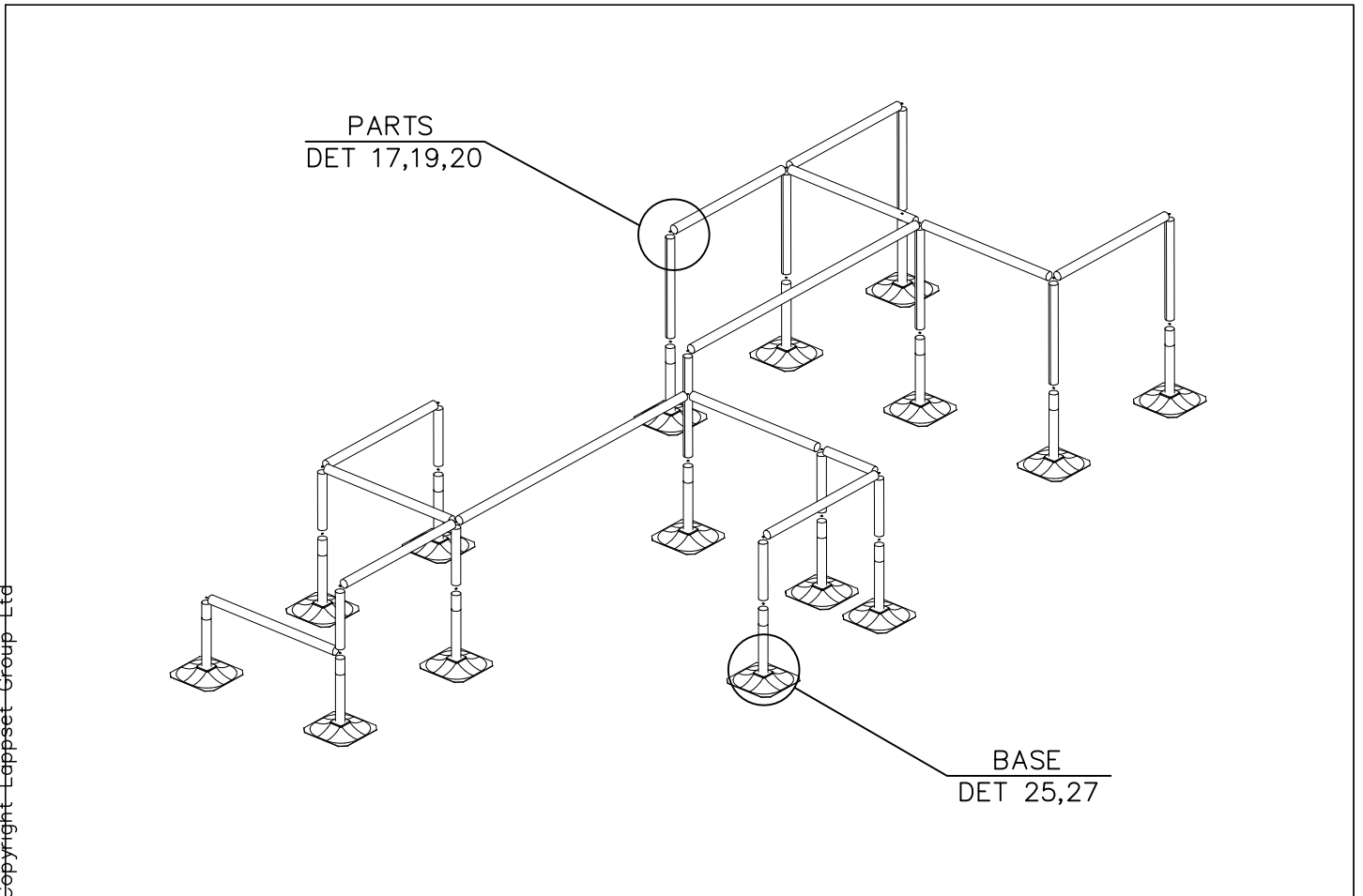
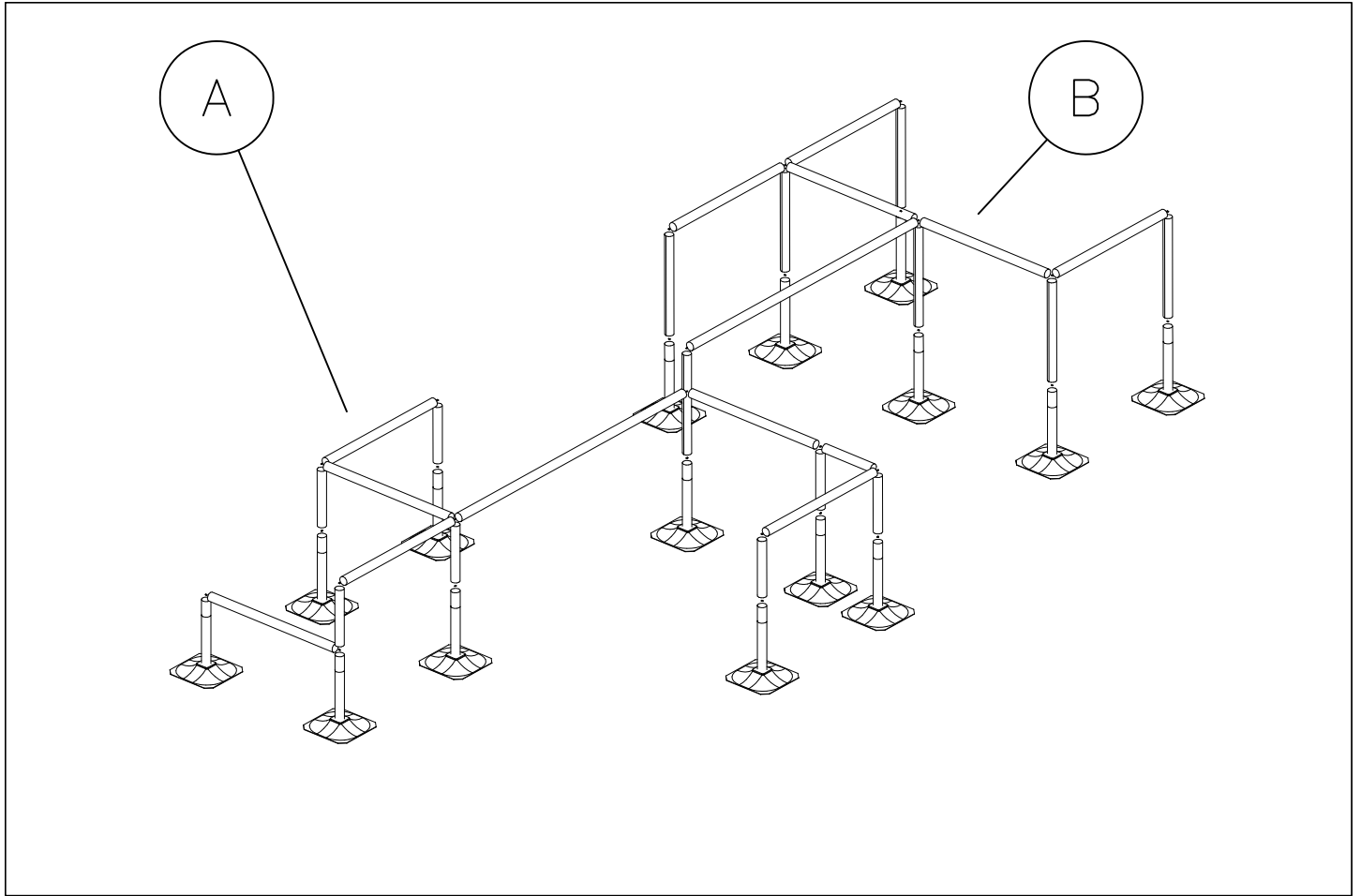
Grid Size 1000 mm (40" in)

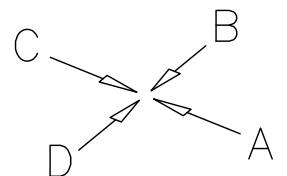
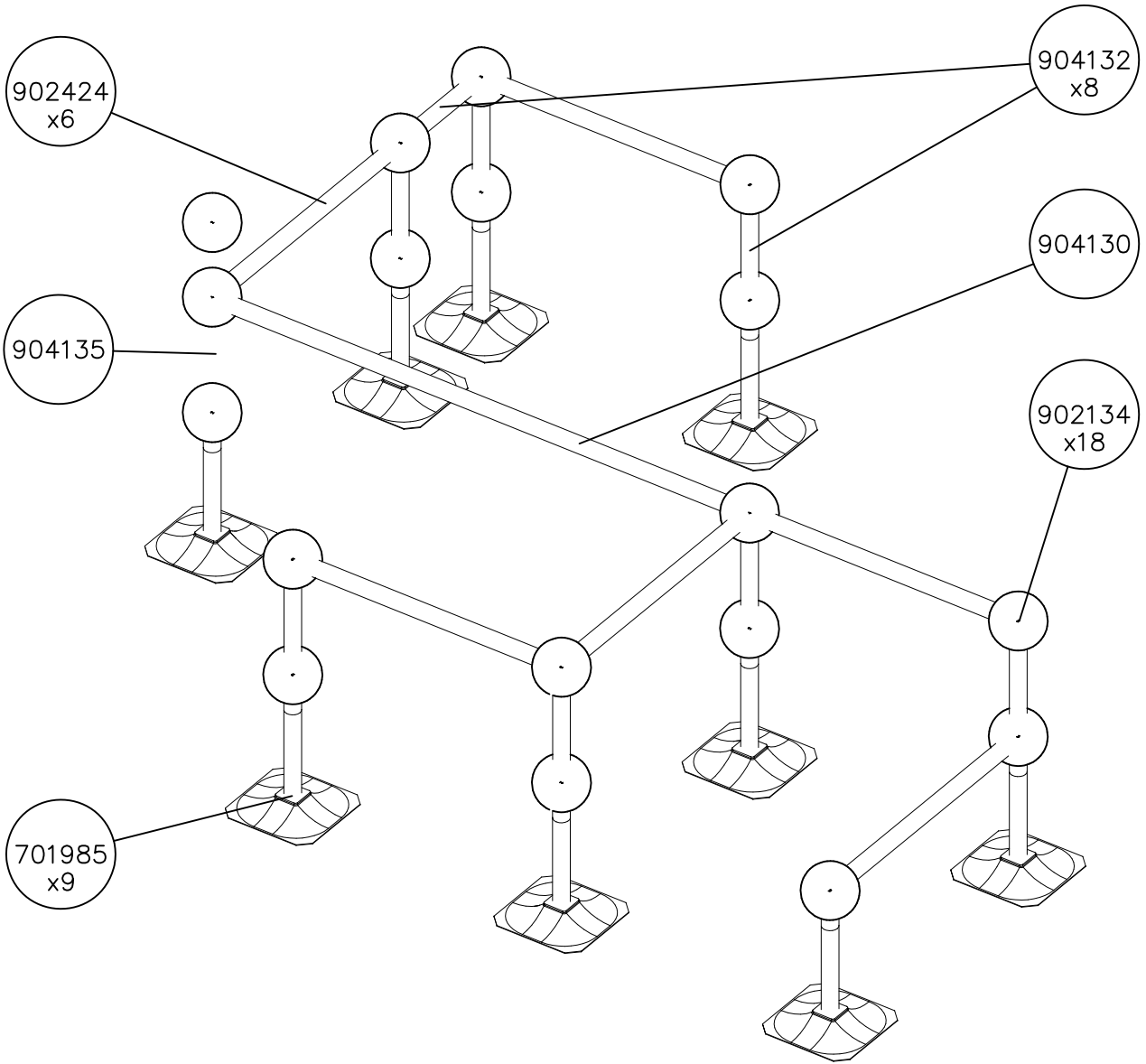


EN/AS Impact Area 45.2 m² (487 sq ft)
Falling Space Area 45.2 m² (487 sq ft)
Max Falling Height 960 mm (3'-2" in)





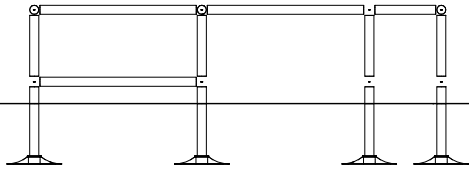




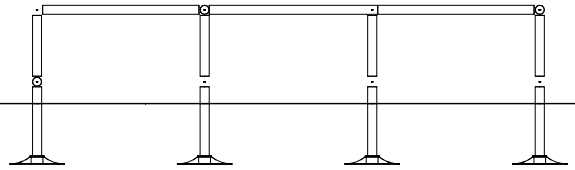
DATE: 24.2.2015

1:50

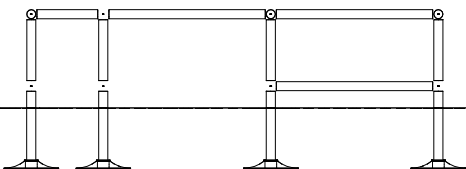
(A)



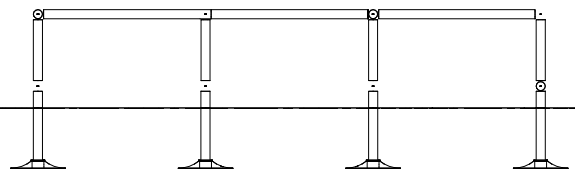
(B)

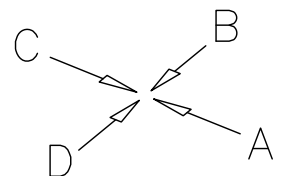
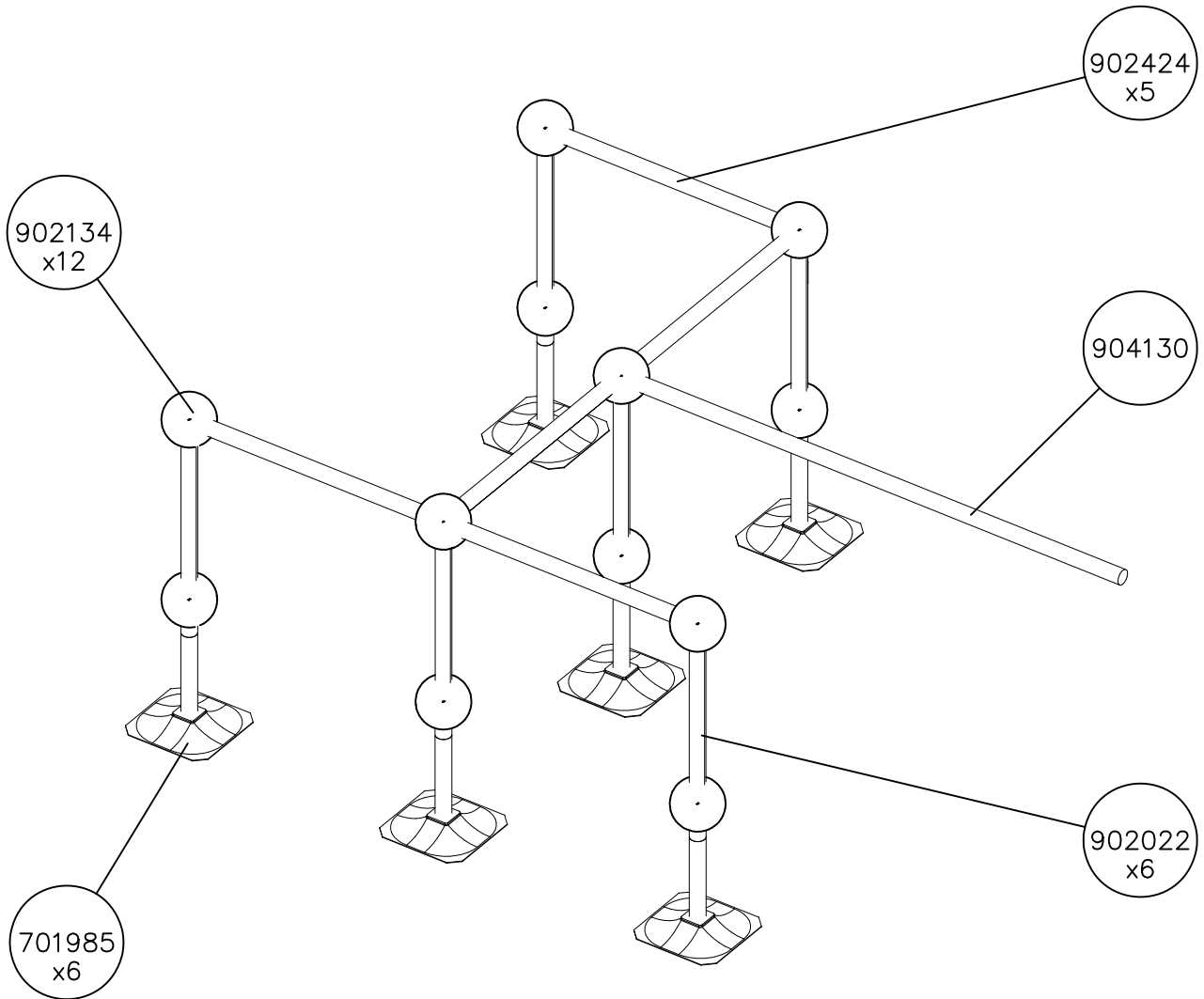


(C)



(D)

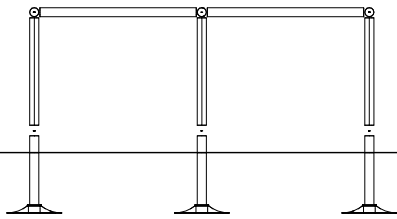




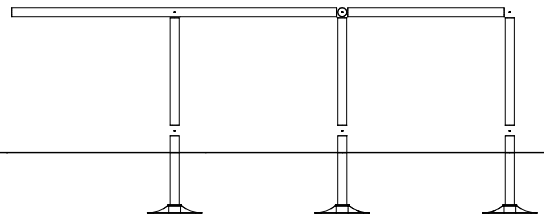
DATE: 24.2.2015

1:50

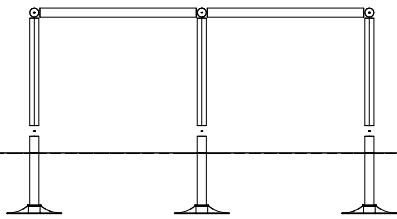
(A)



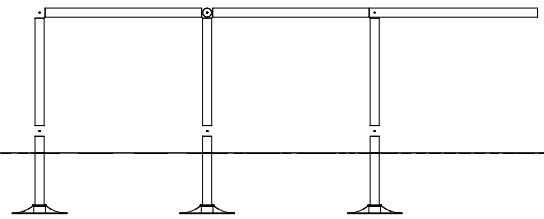
(B)

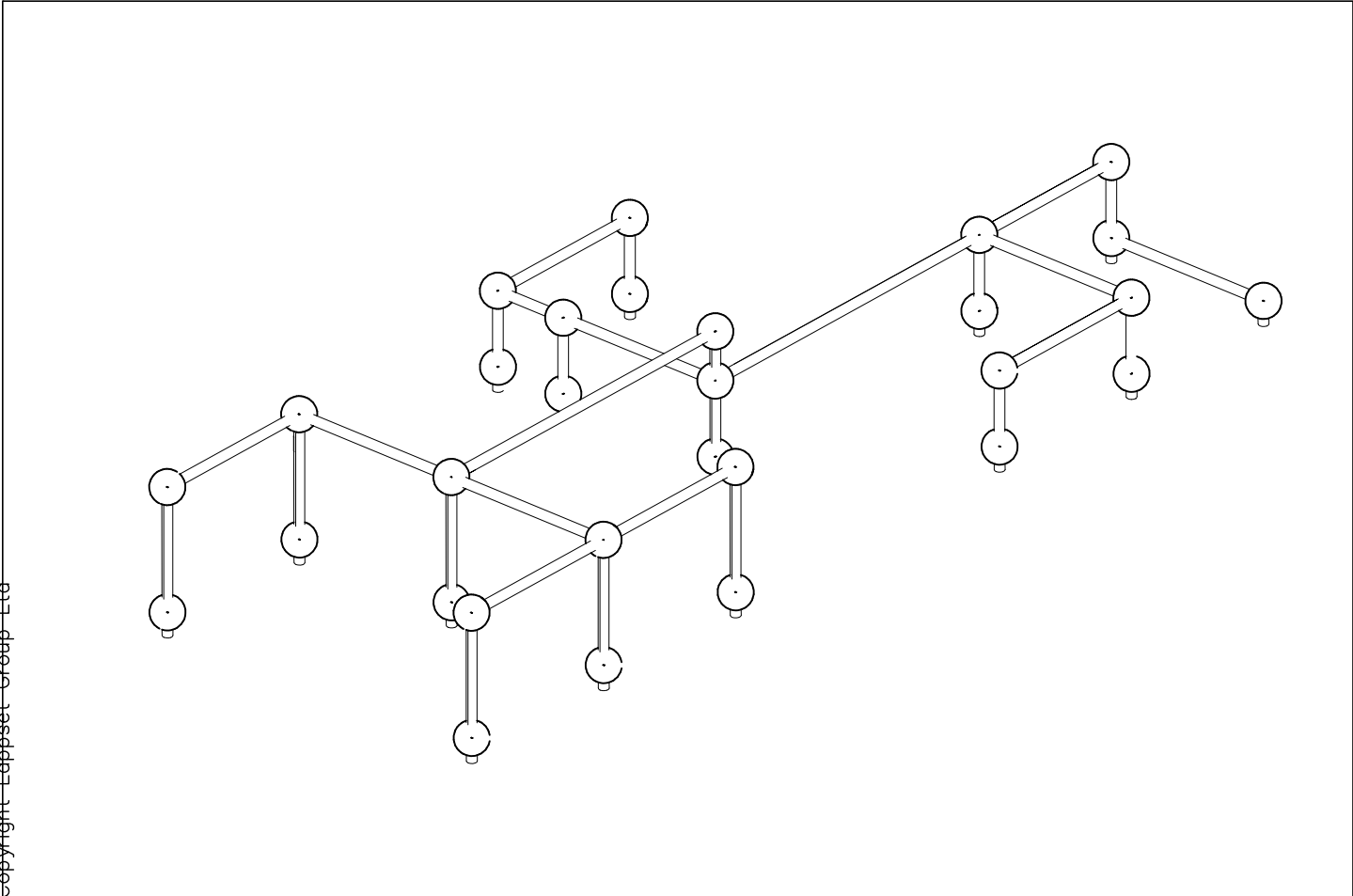
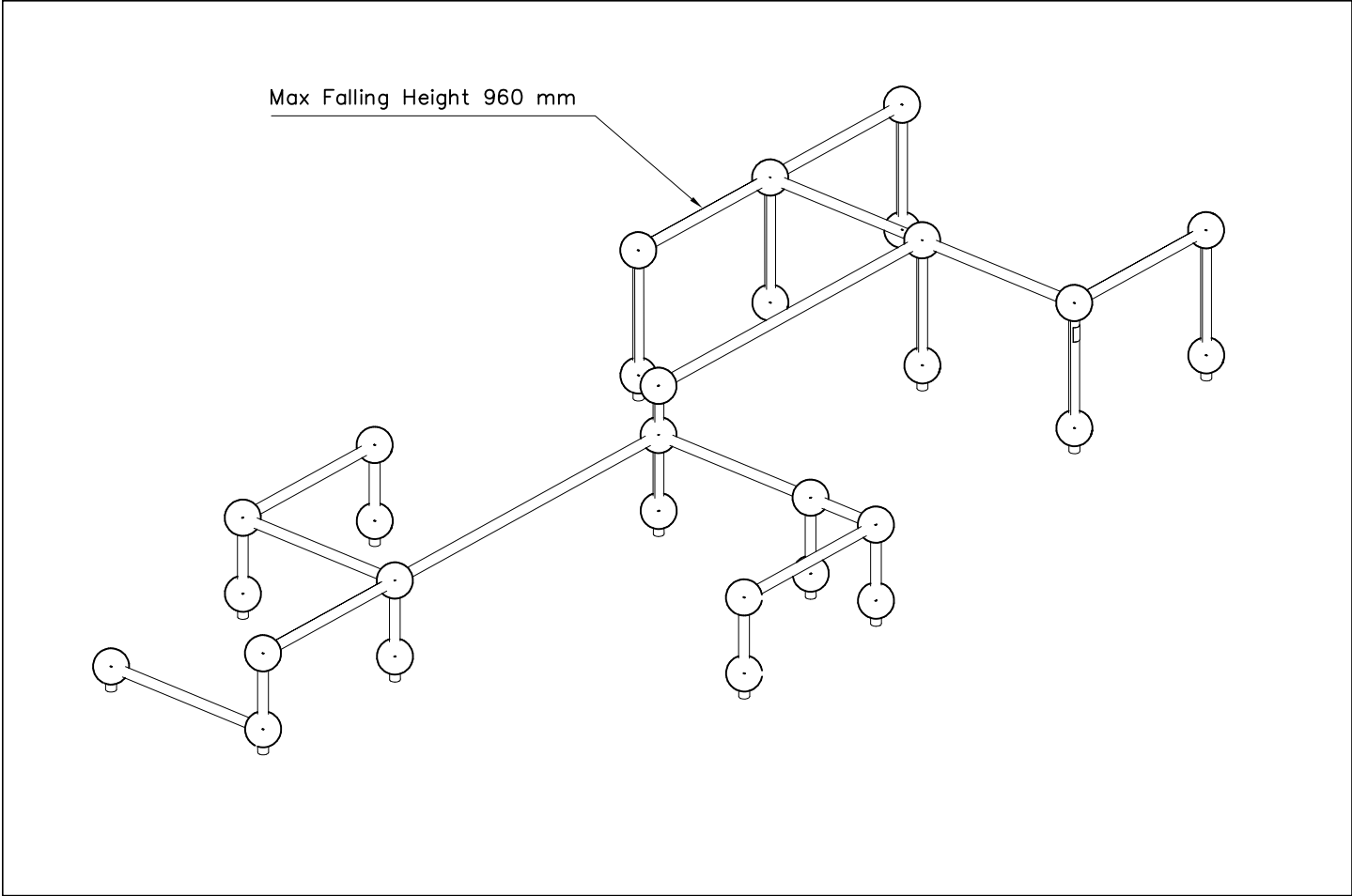


(C)



(D)





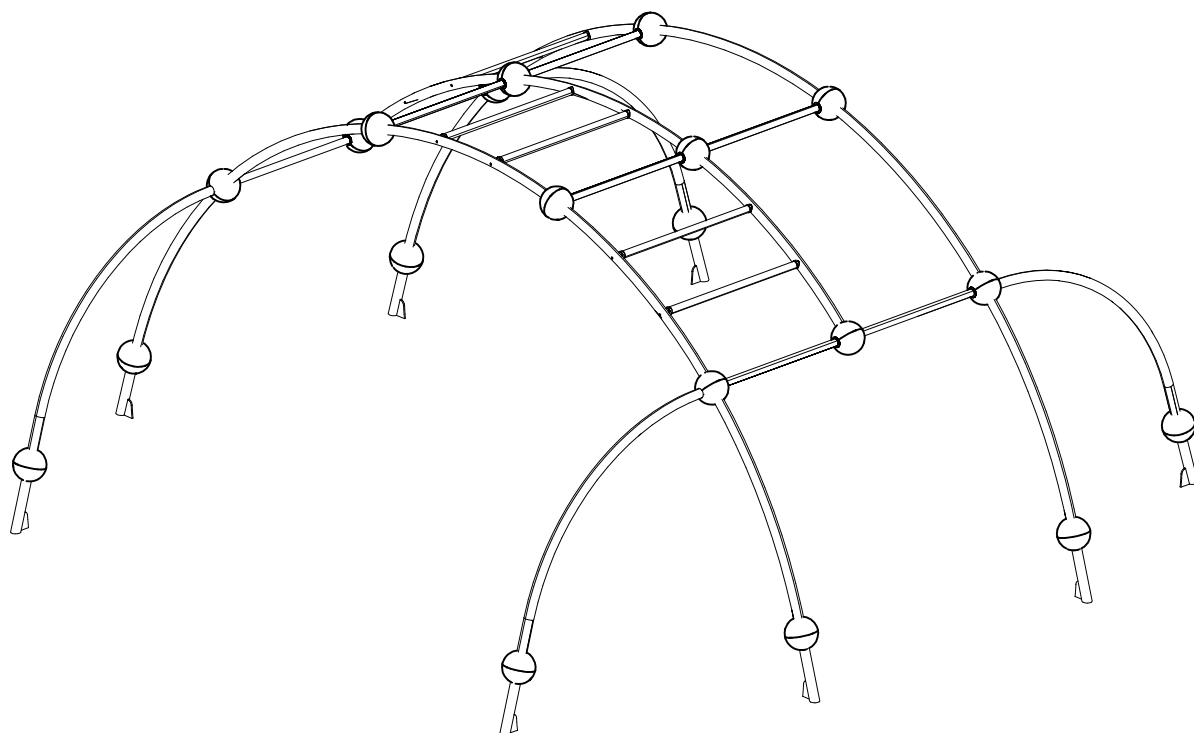
LAPPSET®

PARKOUR

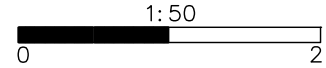
ASENNUSOHJE
MONTERINGSANSVISNING
INSTALLATION INSTRUCTION
AUFBAUANLEITUNG
NOTICE D'INSTALLATION

DATE: 20.2.2015

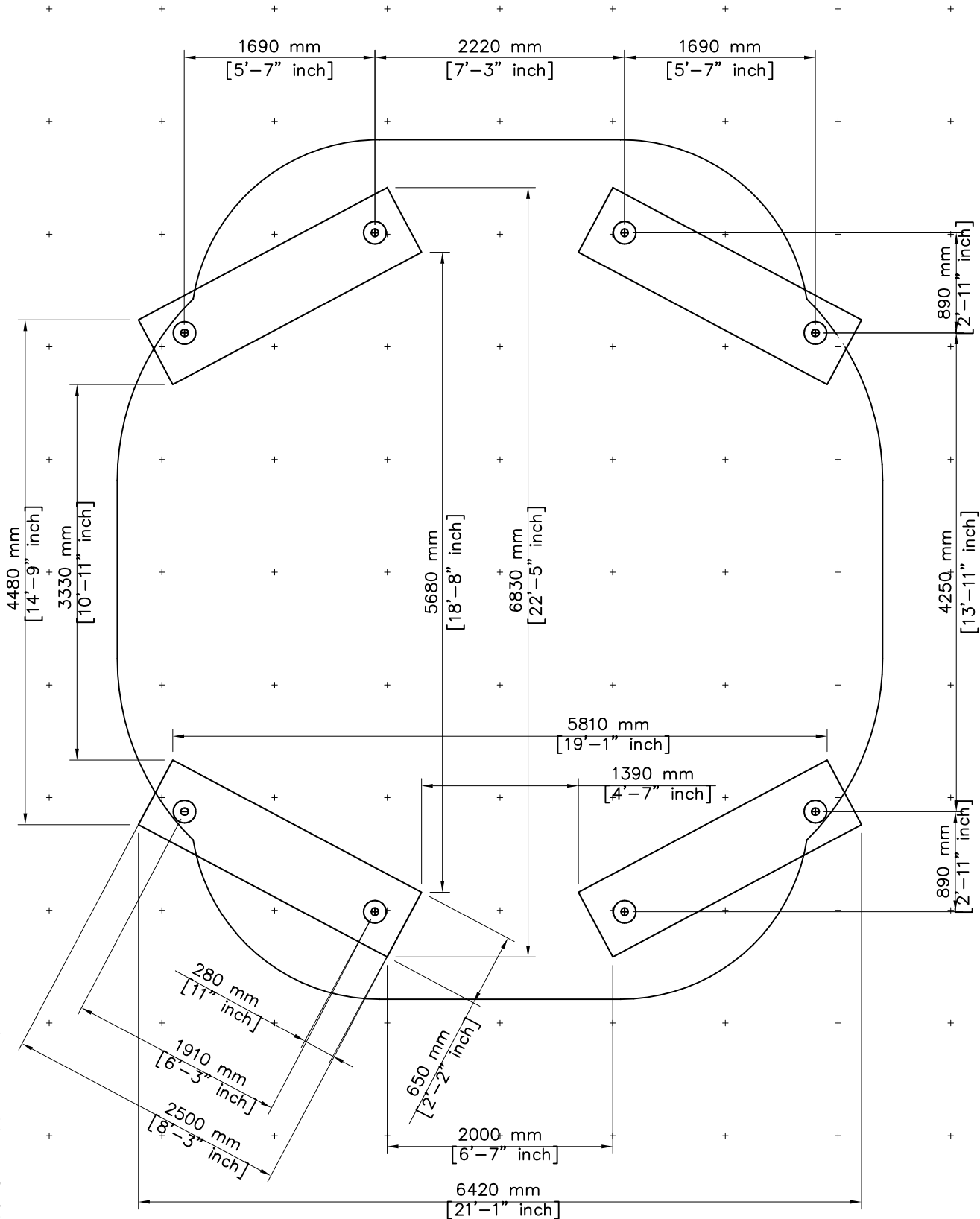
220513



EN/AS Impact Area 44.4 m² (478 sq ft)
 Grid size = 1000 mm (40" in)

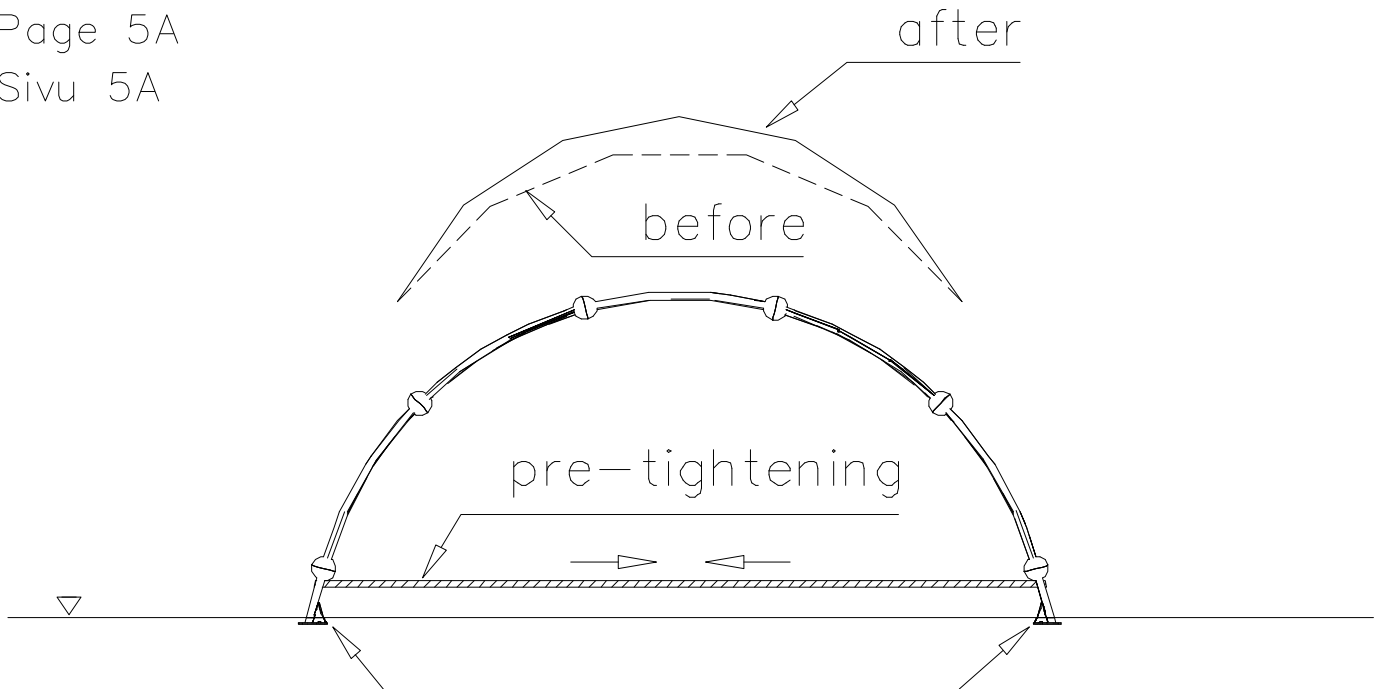


Note: page 4 (2/2)
 Huom: sivu 4 (2/2)



Page 5A

Sivu 5A



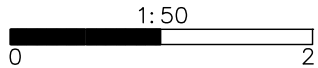
Before the concrete is poured, pre-tension the cage so that the shape of the product is round and even. The tensioning can be done using i.e. chain hoist or lashing straps. Remove the tensioners when concrete has dried enough to prevent the foot from moving.

Esijännitä tuote liinoilla tai taljoilla siten, että kaarevuus on tasainen ja symmetrinen. Kun haluttu muoto on saavutettu, valaa betoni. Poista kiristimet vasta kun betoni on kuivunut siten, että jalat eivät pääse liikkumaan.

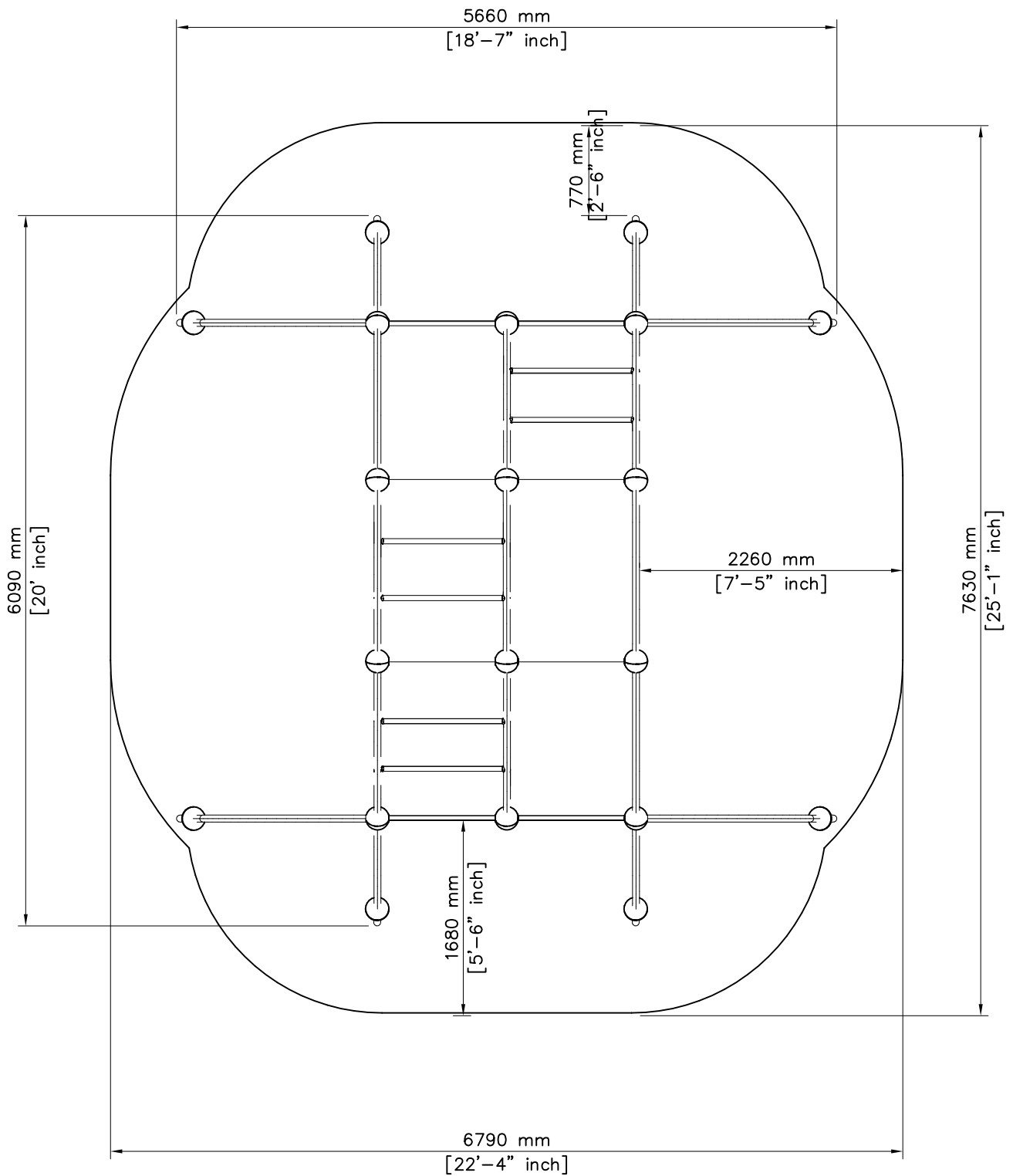
Page 4, 5 Note: exact distances for the feet may vary depending on the pre-tensioning of the structure.

Sivu 4, 5 Huom: Jalkojen etäisyydet voivat erota jonkin verran kuvan mitoista. Tarkka mitoitus määräytyy rakenteen esijännityksen perusteella.

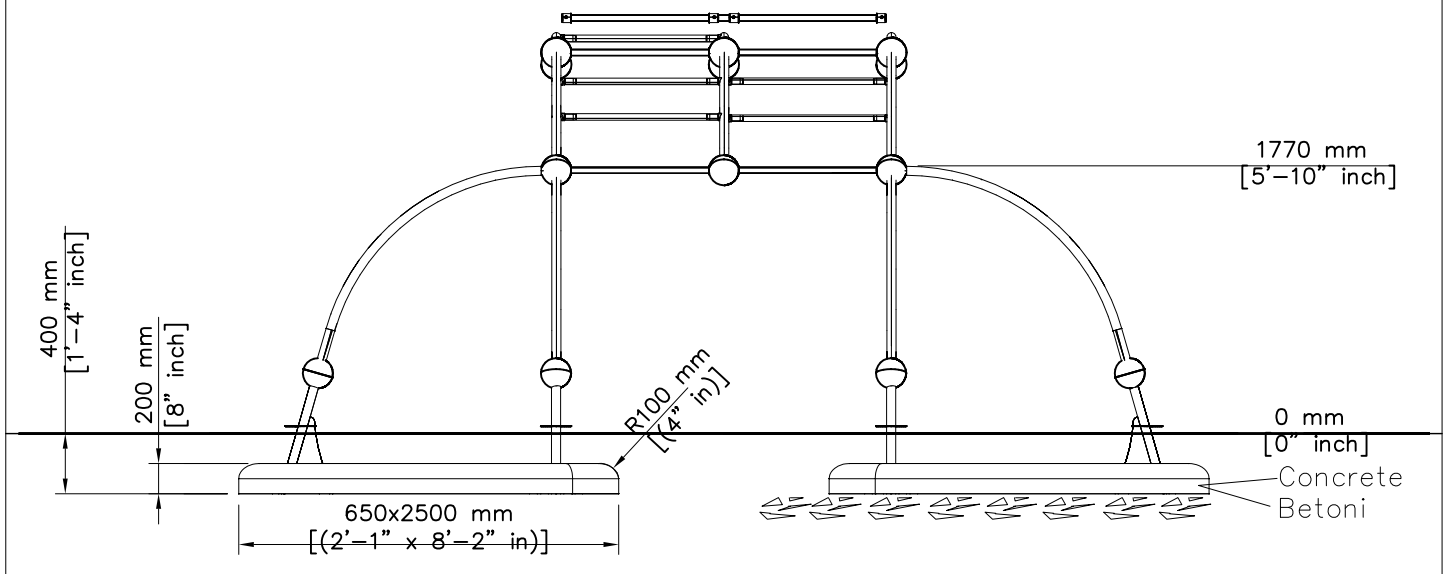
—— EN/AS Impact Area 44.4 m² (478 sq ft)
 - - - - Falling Space 44,4 m² (478 sq ft)
 Max Falling Height 2650 mm (8' -9" in)



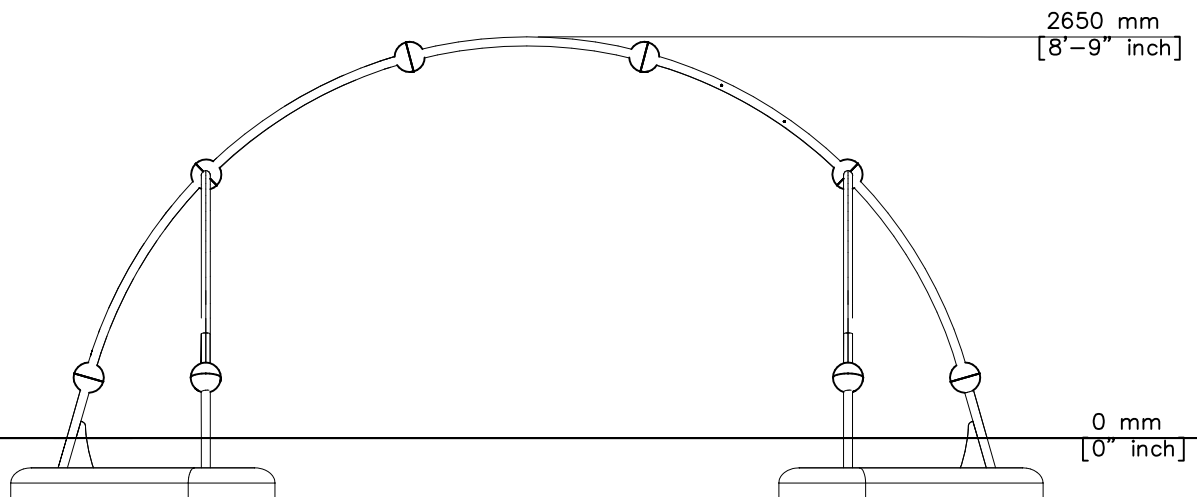
Note: page 4 (2/2)
 Huom: sivu 4 (2/2)

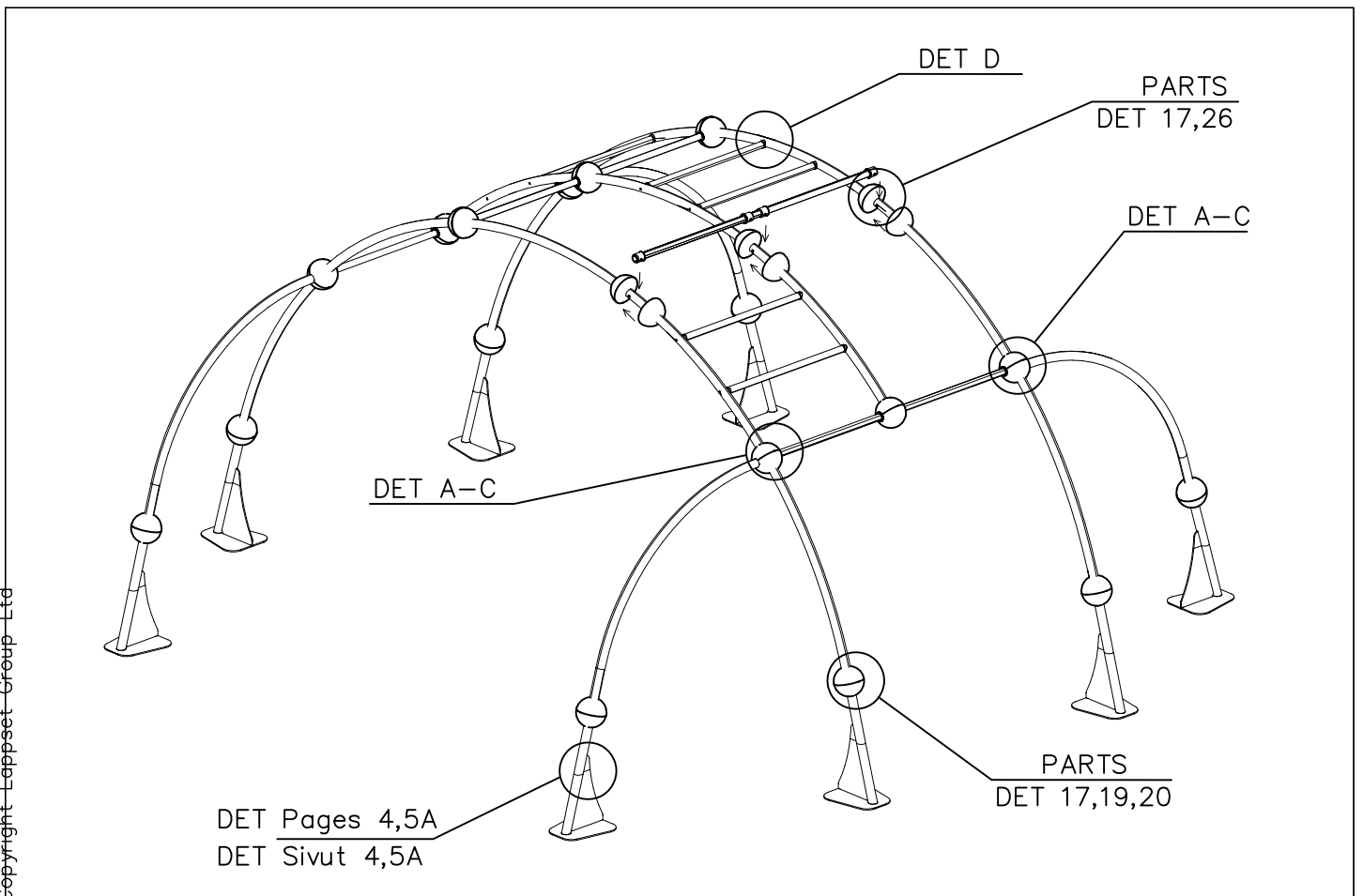
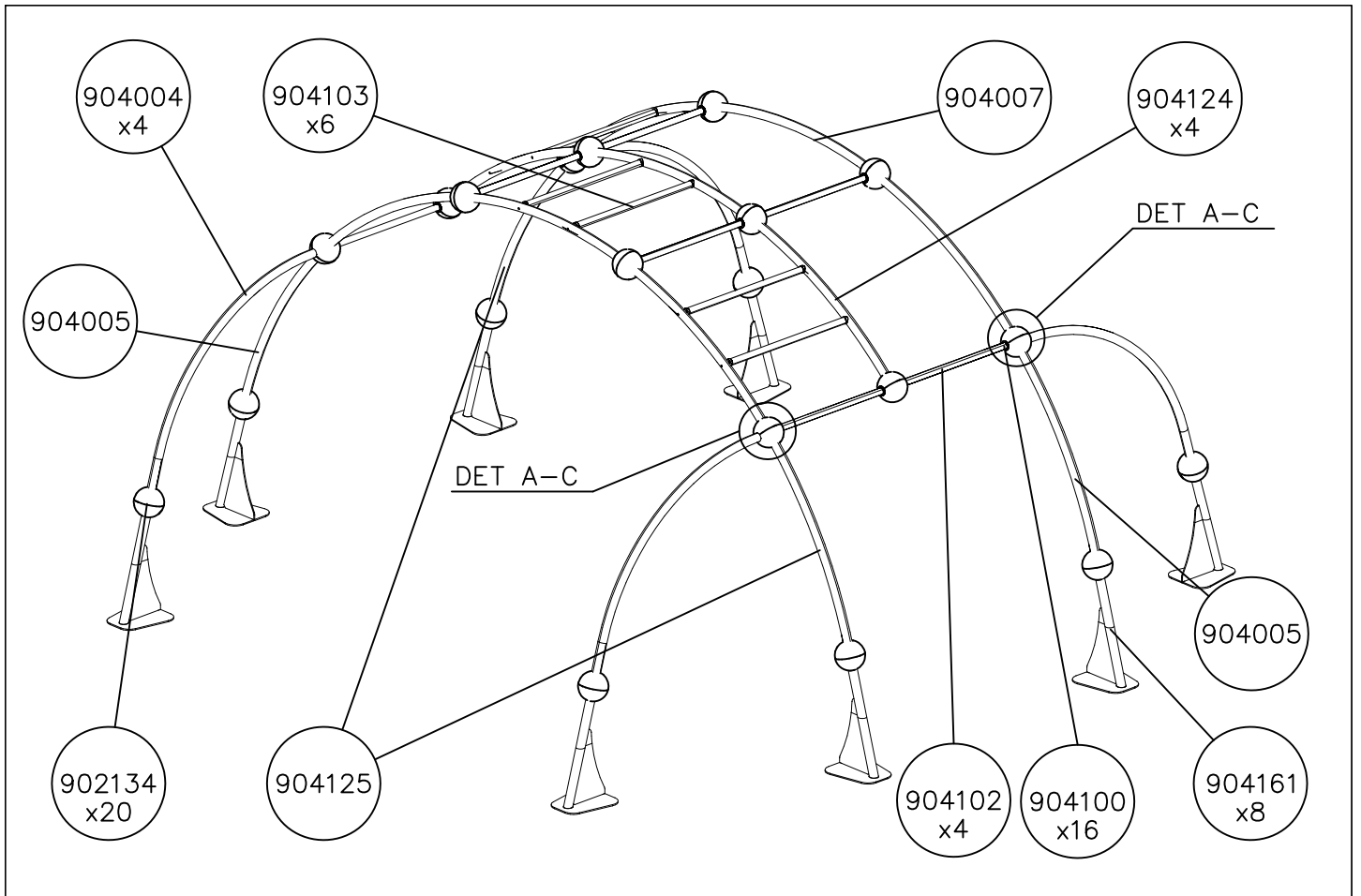


Note: page 4 (2/2) 5A.
 Huom: sivu 4 (2/2) 5A.



Note: page 4 (2/2) 5A.
 Huom: sivu 4 (2/2) 5A.

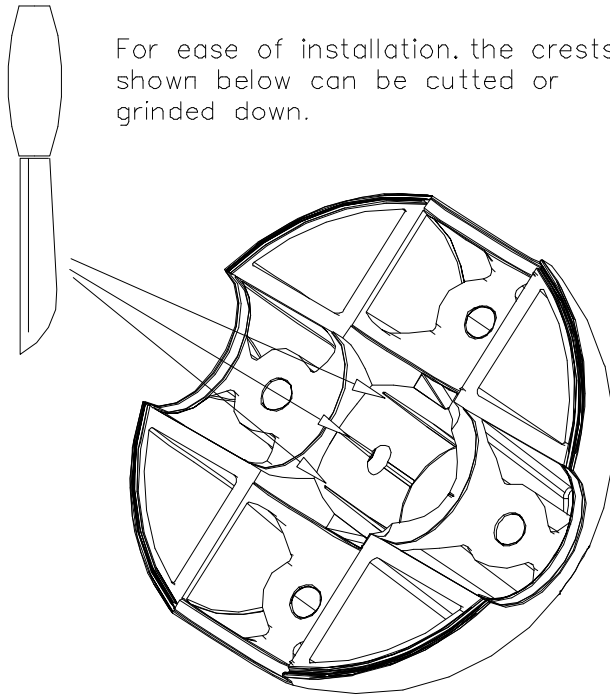




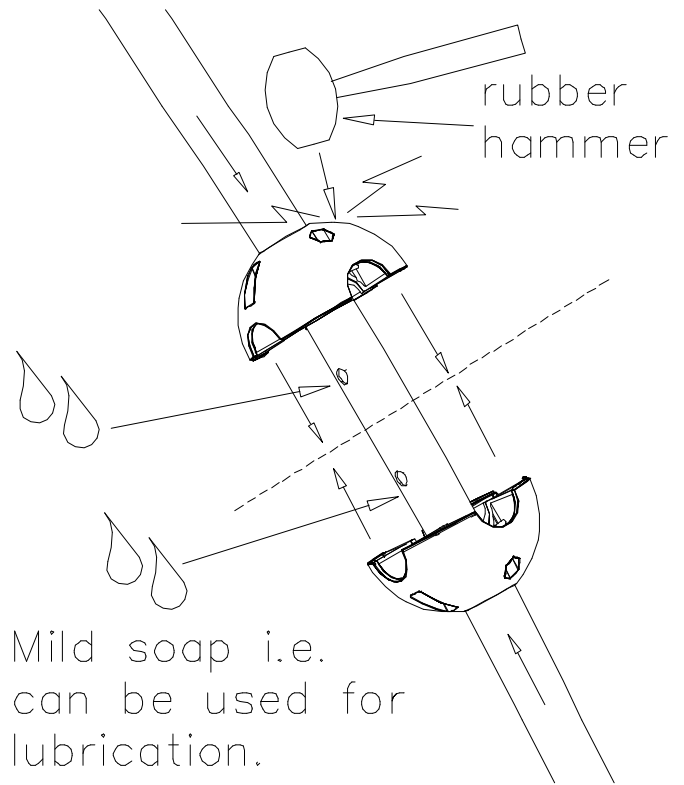
DET A

Asennuksen helpottamiseksi voidaan poistaa kynthettä.

For ease of installation, the crests shown below can be cutted or grinded down.



DET B

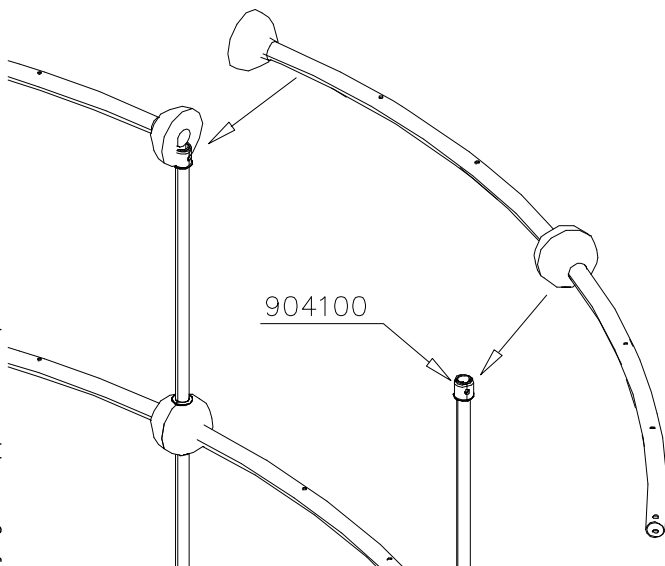


Mild soap i.e. can be used for lubrication.

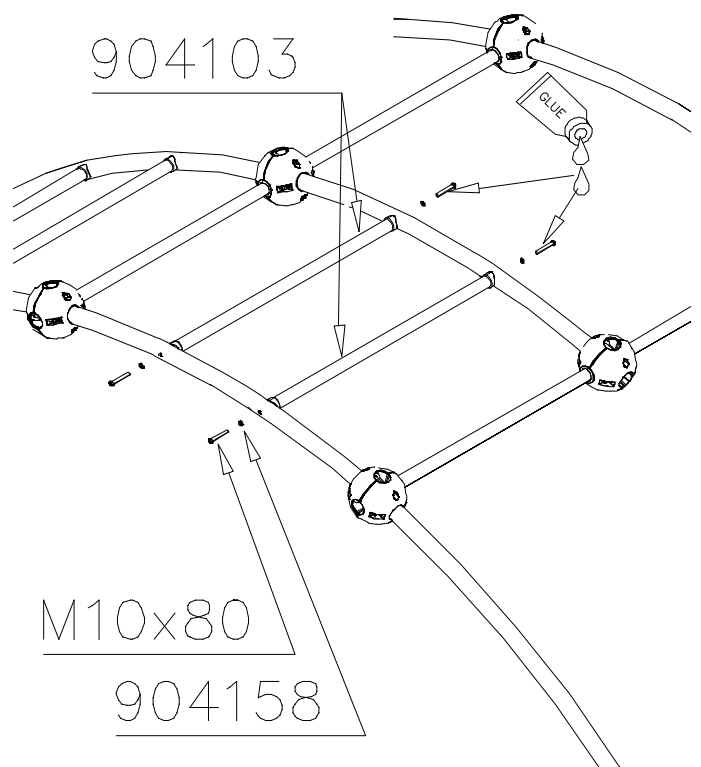
DET C

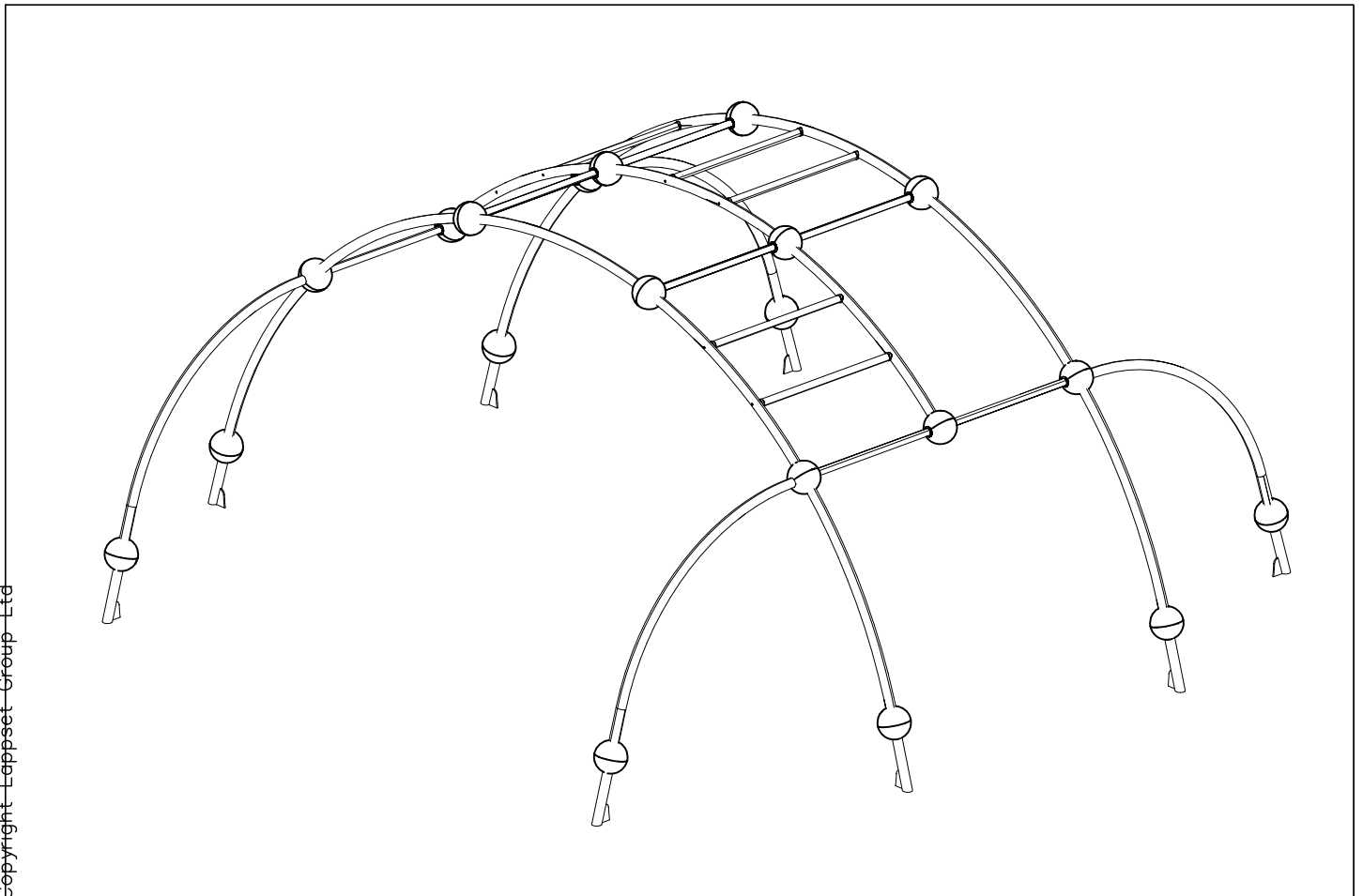
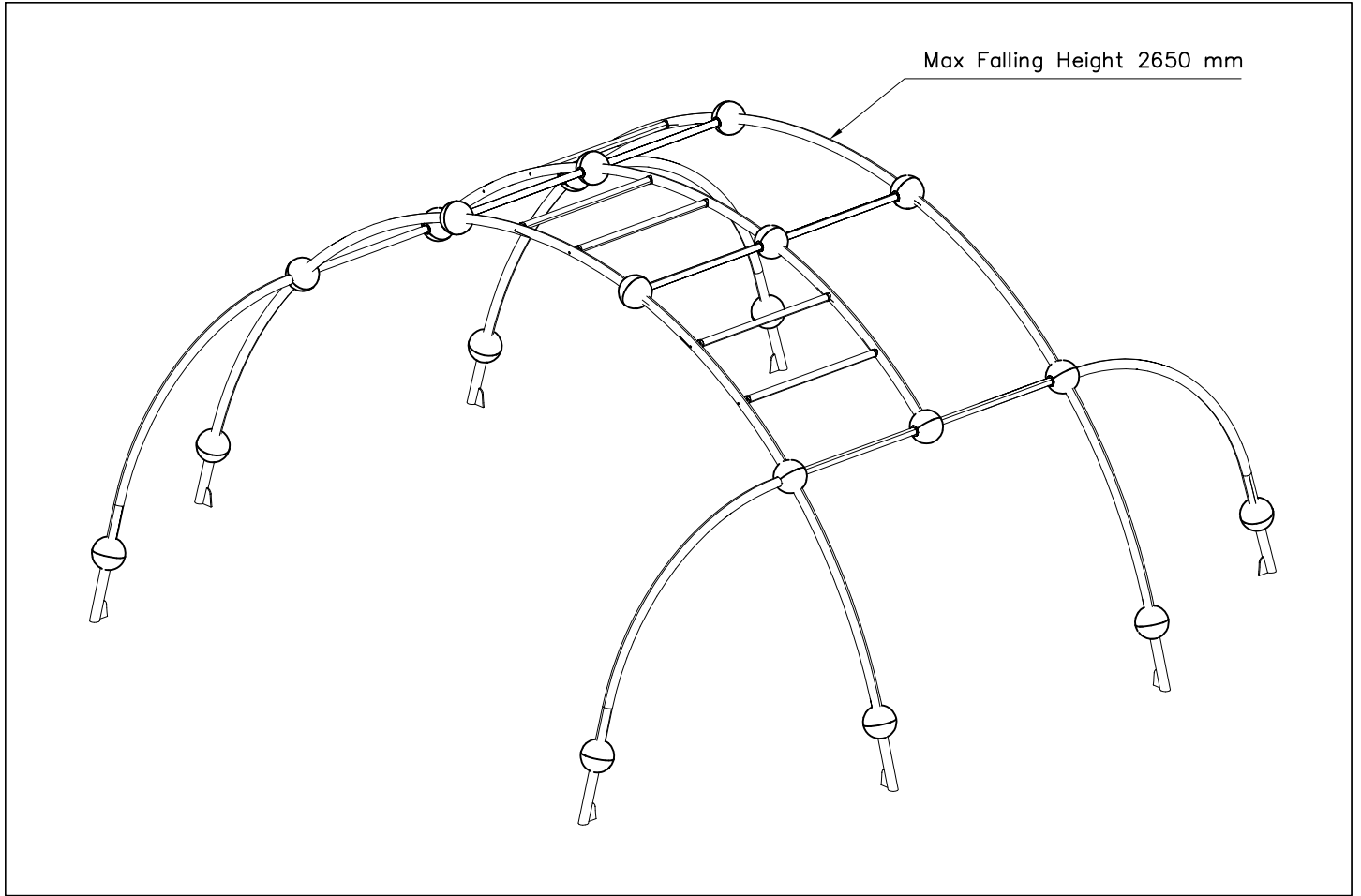
Asennuksen helpottamiseksi voidaan tuote esi-kasata syrjällään jo ennen pystytystä.

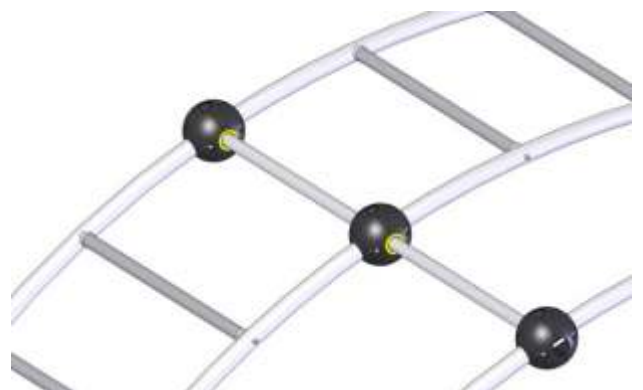
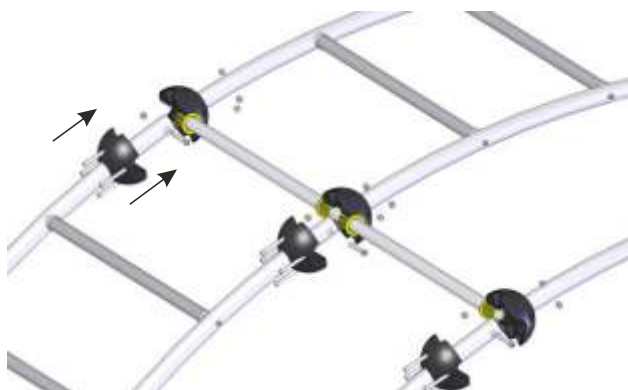
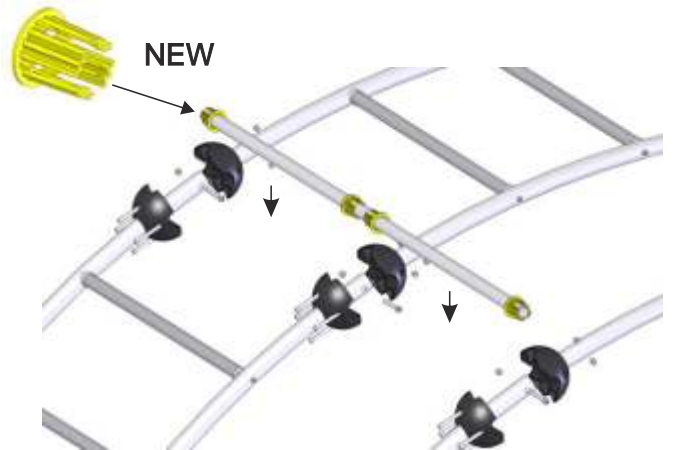
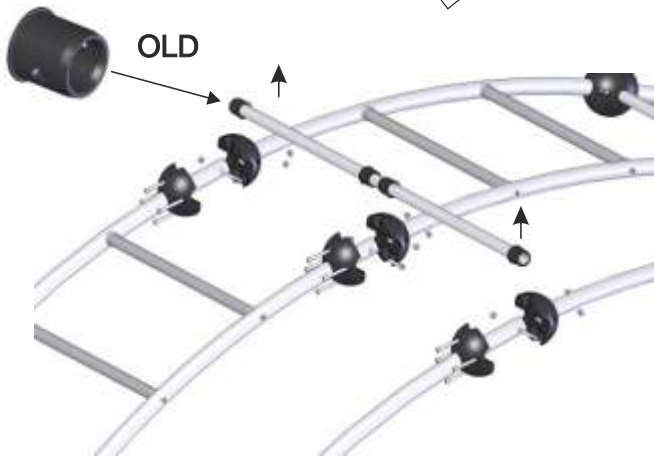
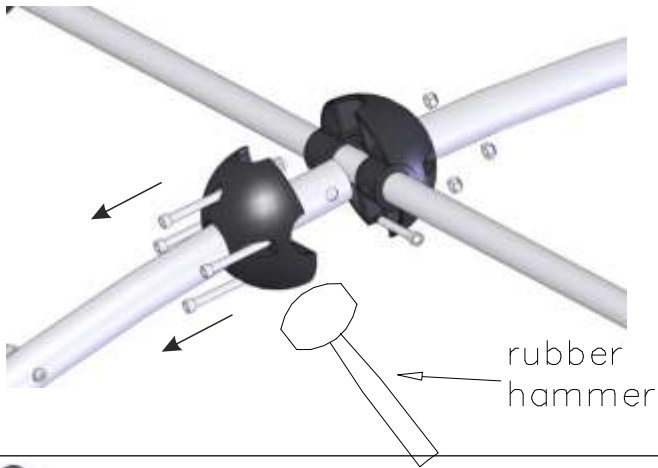
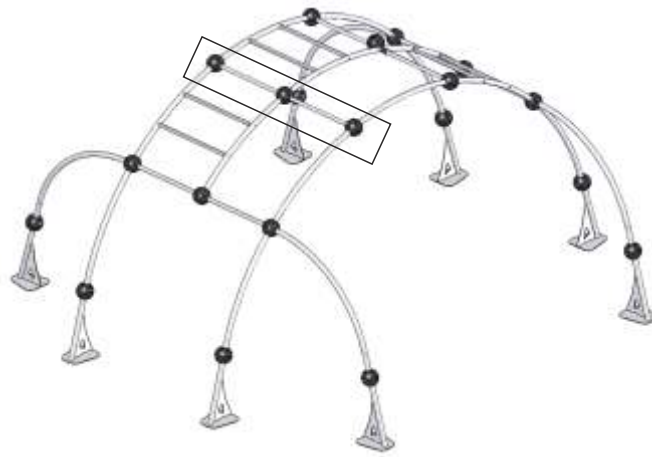
The product can be pre-assembled on it's side for easier assembly.



DET D





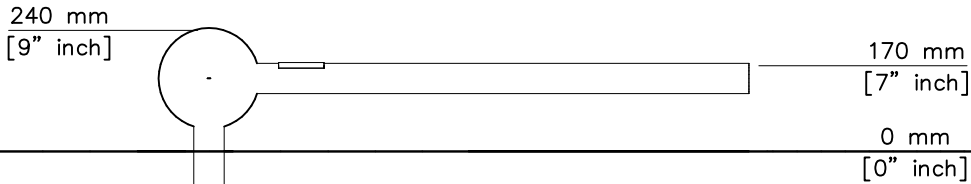
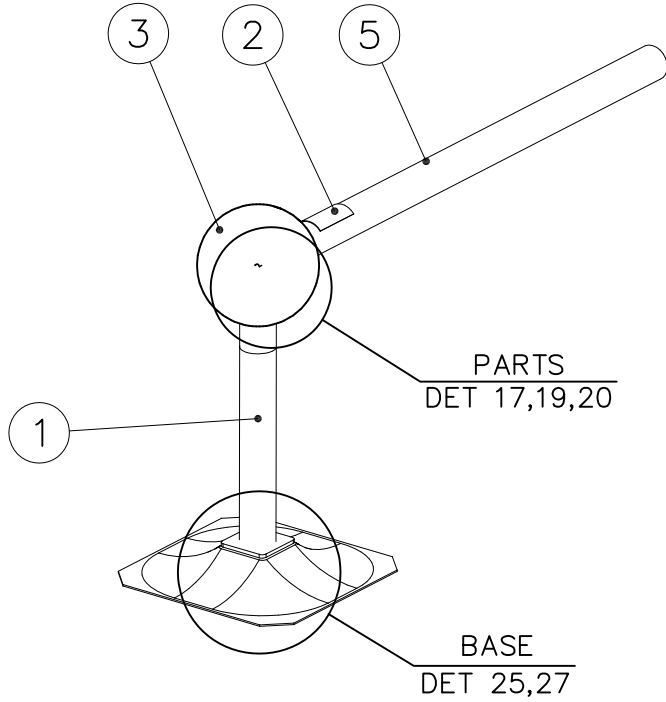


LAPPSET® PARKOUR

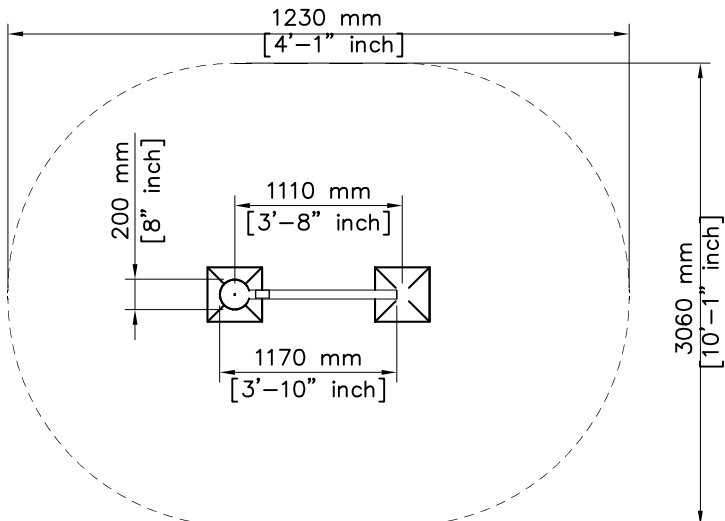
220539

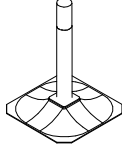

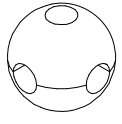

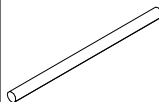
DATE: 22.3.2013

1(1)



----- Falling Space 10.6 m² (114 sq ft)
Max Falling Height 170 mm (7" in)



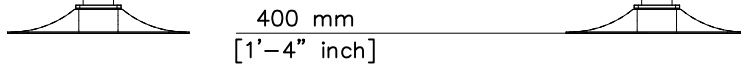
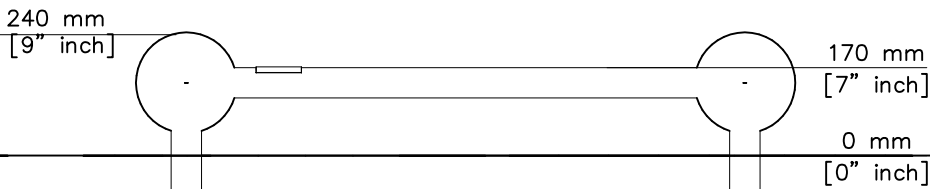
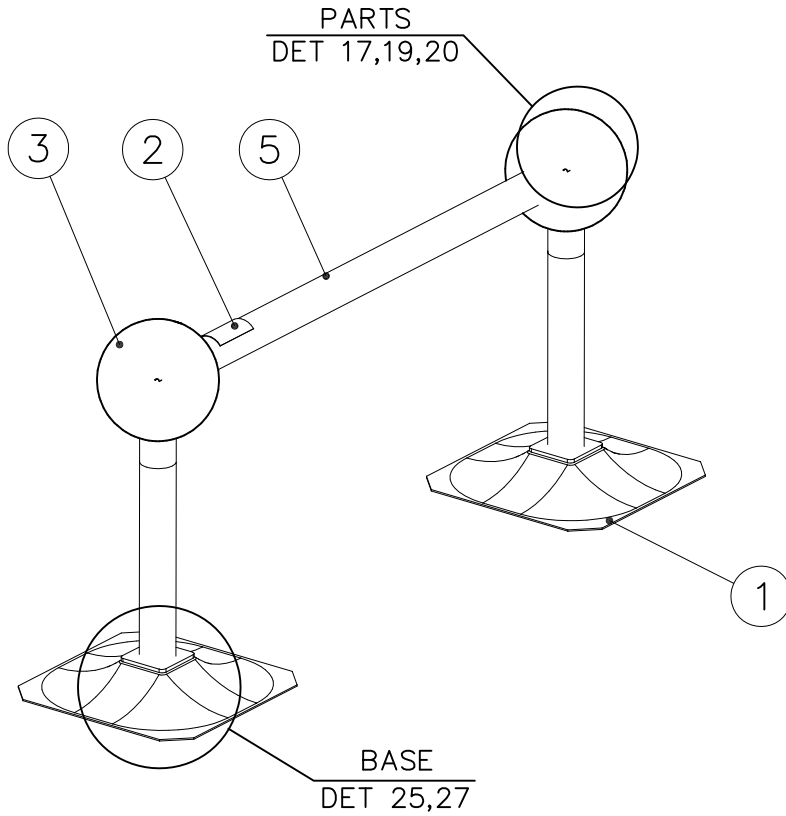
① 701985	PCS	② 702341	PCS
	1		1
		<small>LAPPSET Group Ltd 220539 Part 702341 Date 03 Drawing C. LAPP SET Scale DIN A3-LINEN 1:1</small>	
		90x50	
③ 902134	PCS	④ 902157	PCS
	1		4
		60x60x2	
⑤ 902424	PCS		PCS
	1		
L 1034			
	PCS		PCS
	PCS		PCS
	PCS		PCS
	PCS		PCS

LAPPSET® PARKOUR

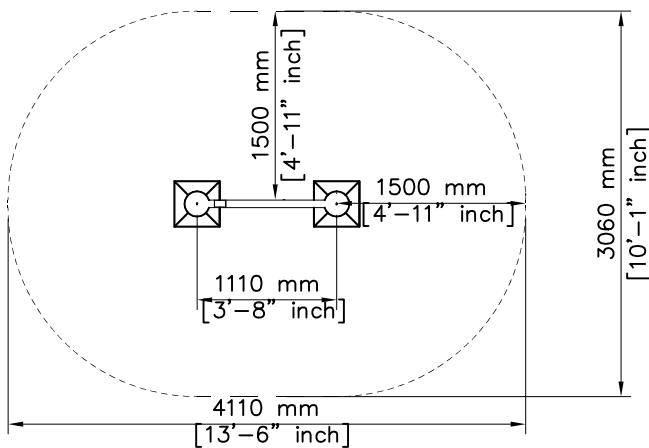
220540

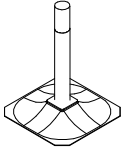

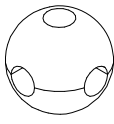
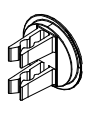
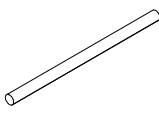
DATE: 22.3.2013

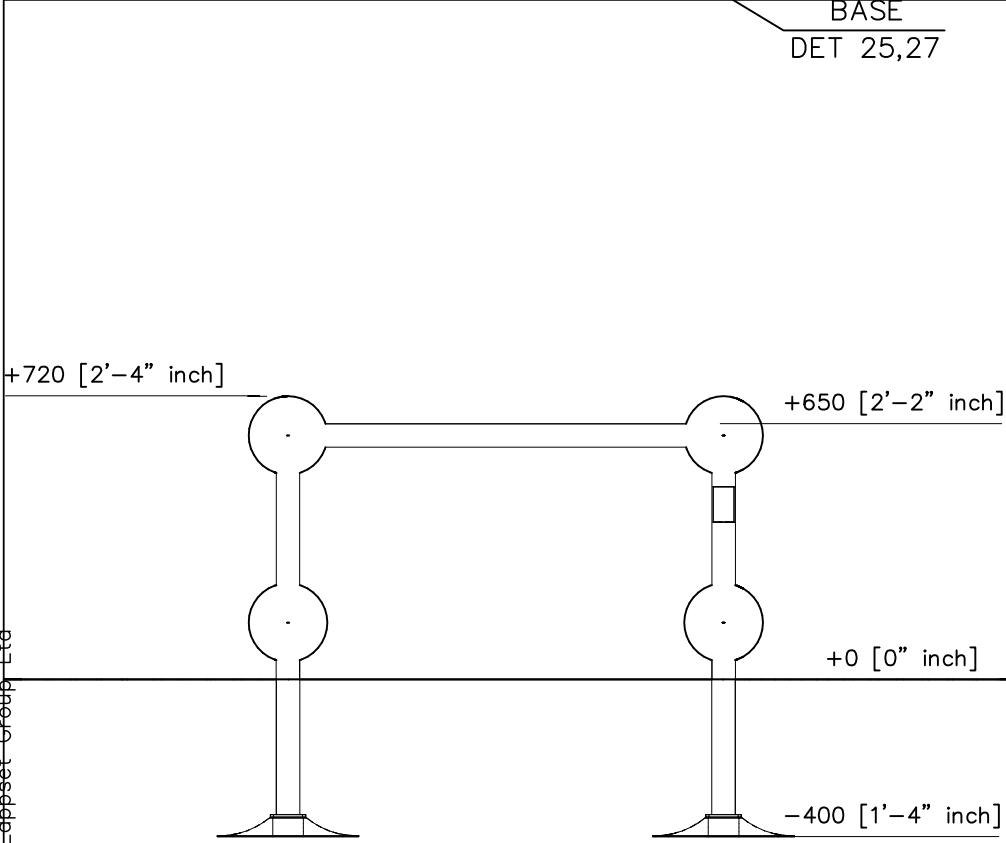
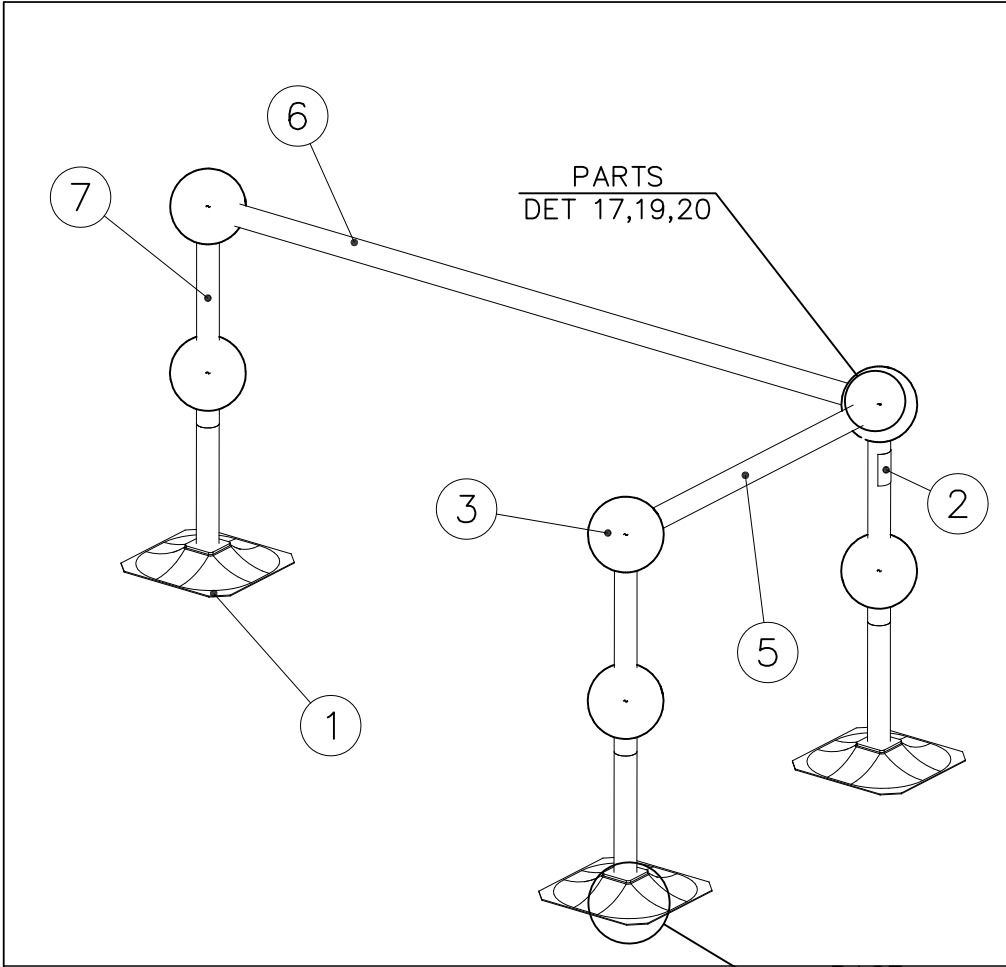
1(1)

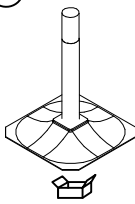

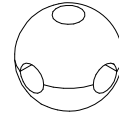
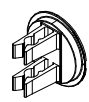
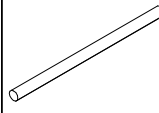
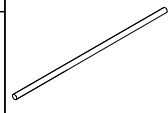



Falling Space 10.6 m² (114.1 sq ft)
Max Falling Height 170mm (7" in)



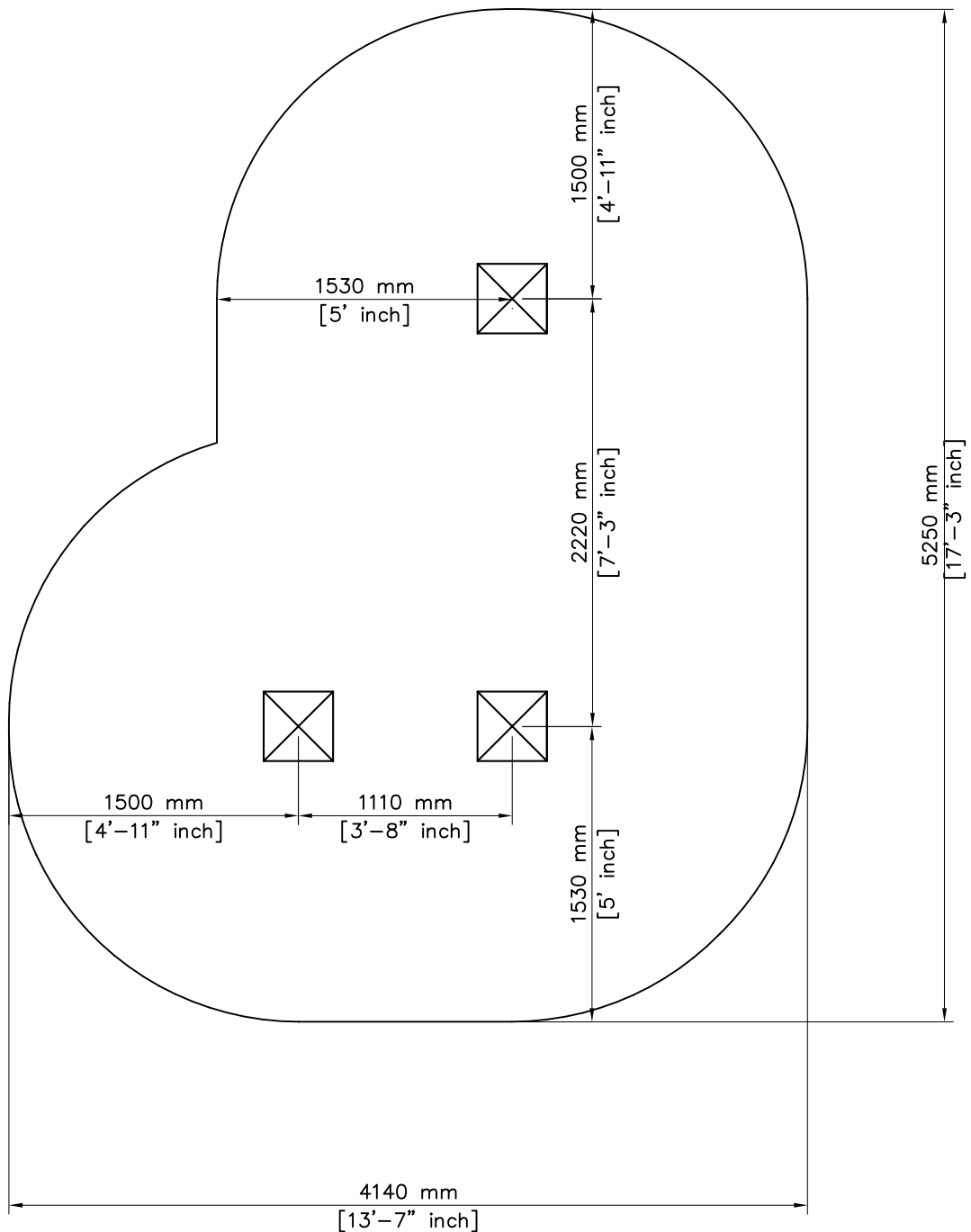
① 701985	PCS	② 702341	PCS
	2		1
		90x50	
③ 902134	PCS	④ 902157	PCS
	2		8
		60x60x2	
⑤ 902424	PCS		PCS
	1		
L 1034			
	PCS		PCS
	PCS		PCS
	PCS		PCS
	PCS		PCS
	PCS		PCS

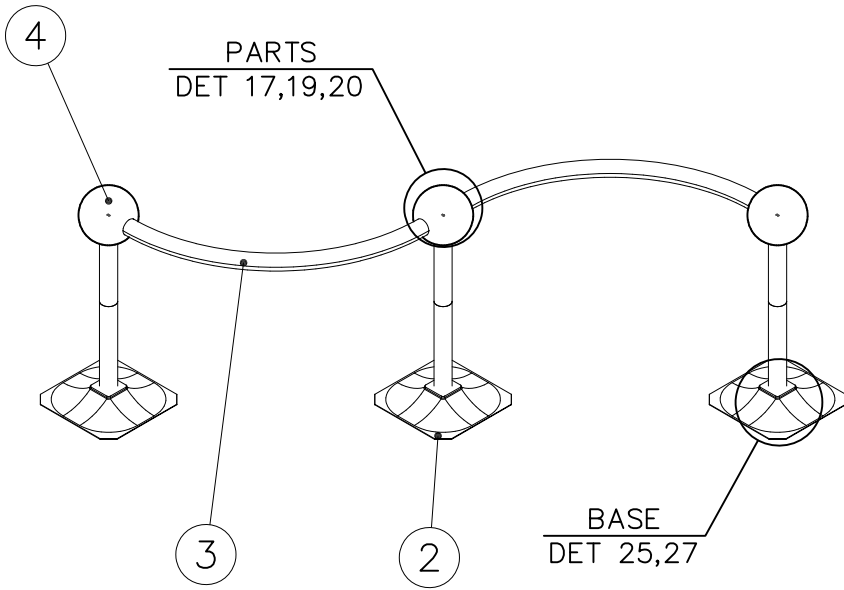



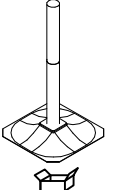


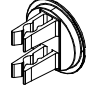
① 701985	PCS	② 702341	PCS
	3		1
		90x50	
③ 902134	PCS	④ 902157	PCS
	6		23
		60x60x2	
⑤ 902424	PCS	⑥ 904130	PCS
	1		1
L 1034		L 2148	
⑦ 904132	PCS		PCS
	3		
L 402			
	PCS		PCS
	PCS		PCS
	PCS		PCS
	PCS		PCS

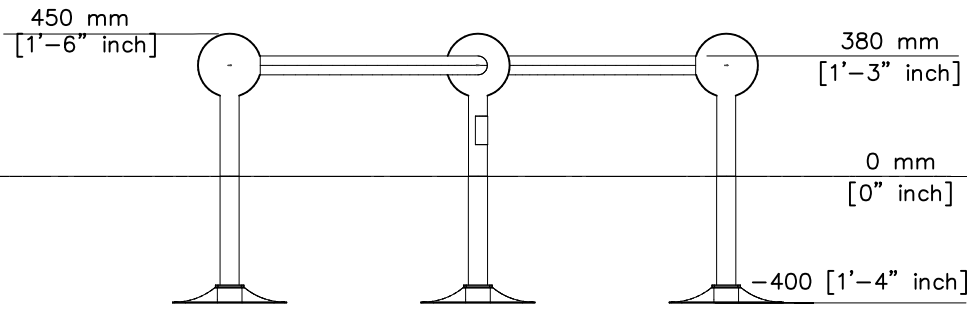
EN Impact Area 16.9 m² (182 sq ft)

Max Falling Height 650 mm (2'-2" in)

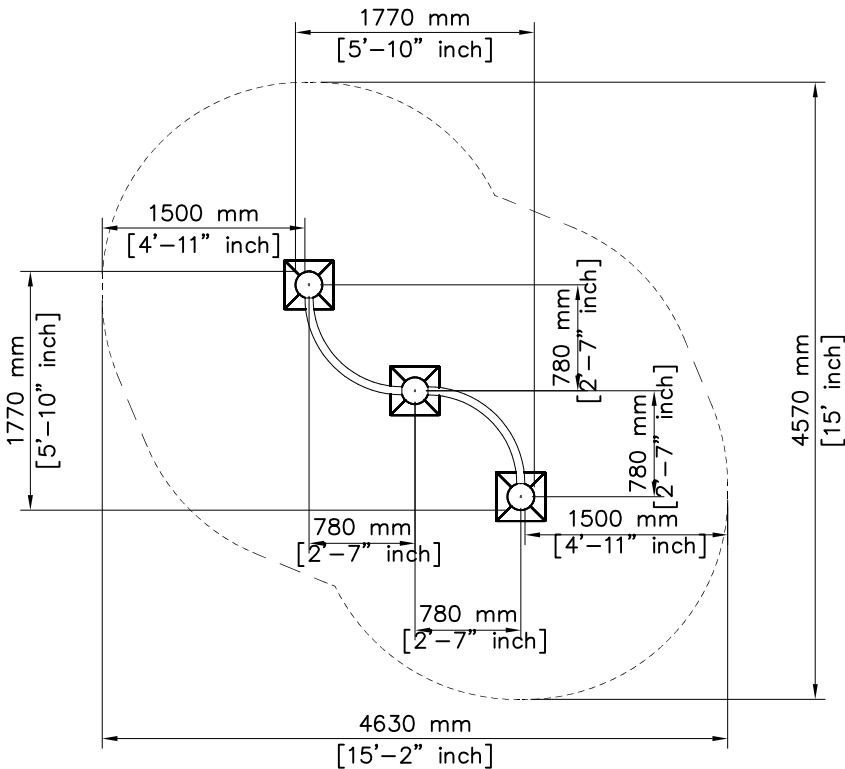




① 702341	PCS	② 703460	PCS
	1		3
90x50			
③ 901941	PCS	④ 902134	PCS
	2		3
⑤ 902157	PCS		PCS
	11		
60x60x2			
	PCS		PCS
	PCS		PCS
	PCS		PCS
	PCS		PCS



— — — Falling Space 14.7 m² (158.2 sq ft)
 Max Falling Height 380 mm (1'-3" in)



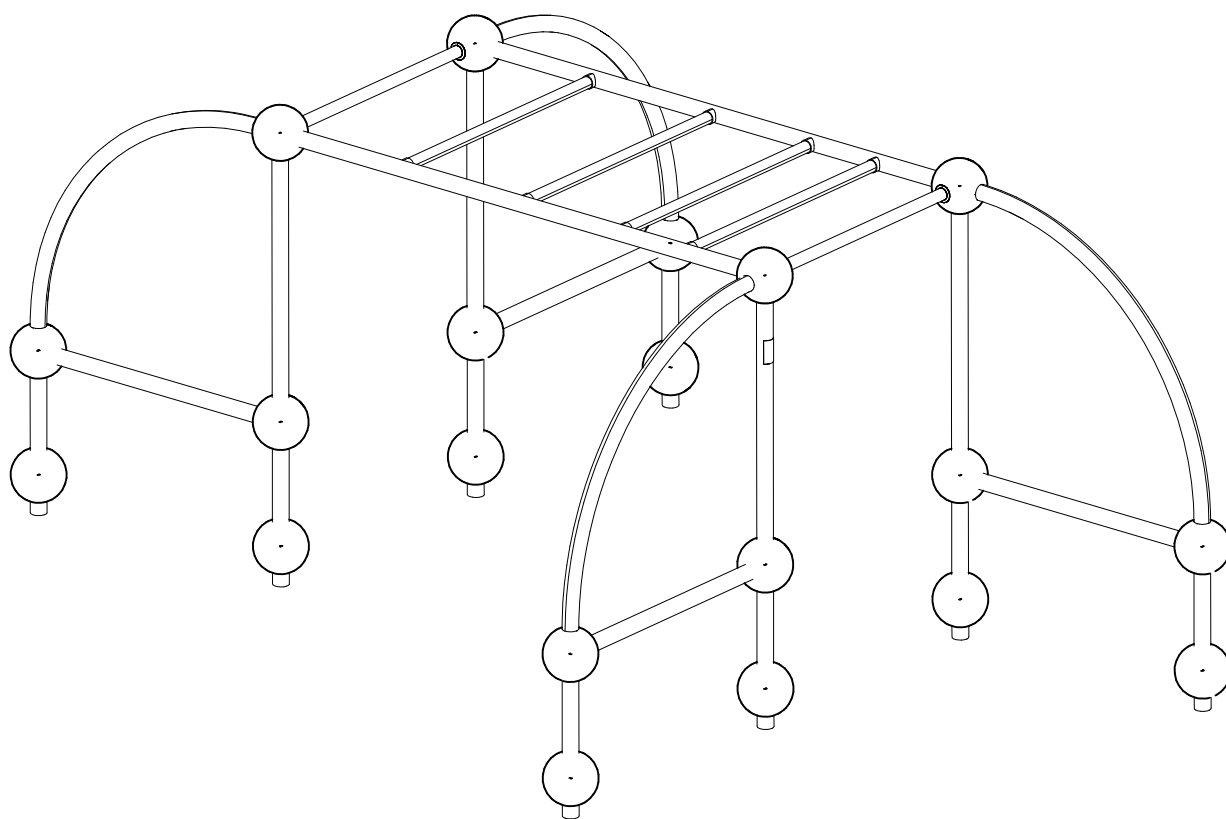
LAPPSET®

PARKOUR

ASENNUSOHJE
MONTERINGSANSVISNING
INSTALLATION INSTRUCTION
AUFBAUANLEITUNG
NOTICE D'INSTALLATION

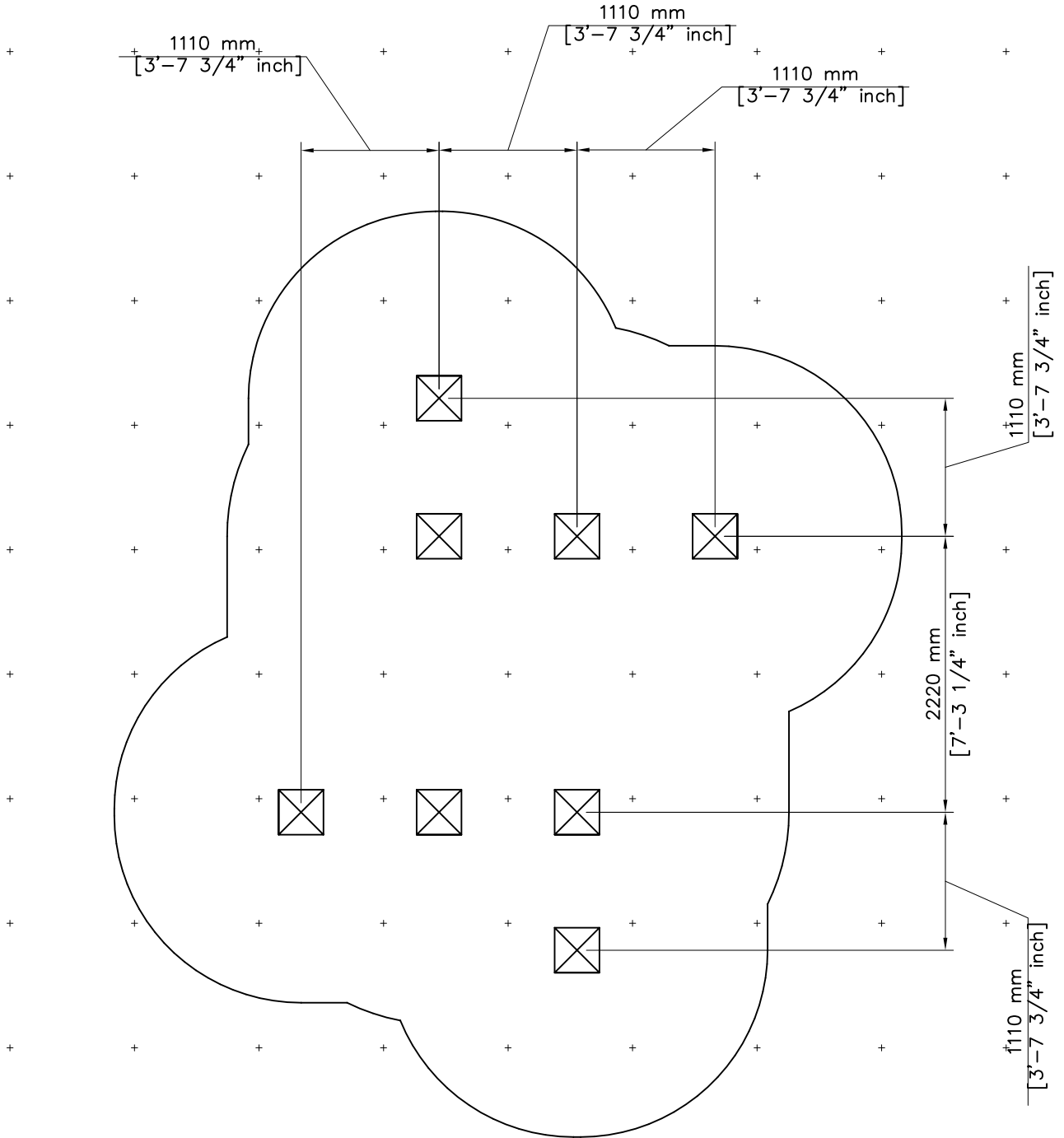
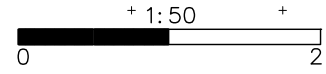
DATE: 13.3.2013

220510



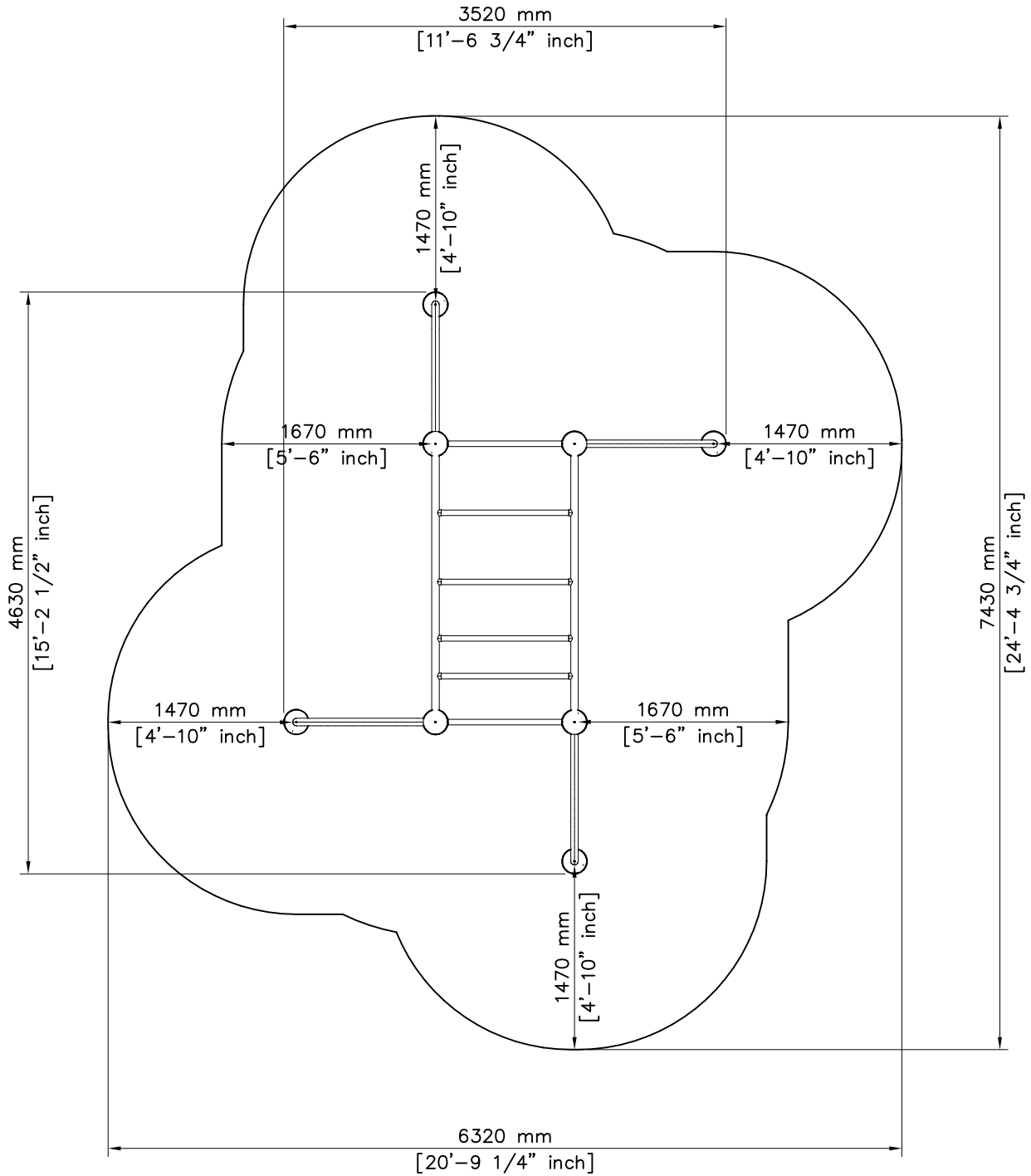
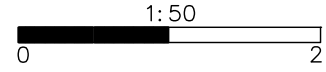
EN Impact Area 31.9+m2 (344 sq ft)

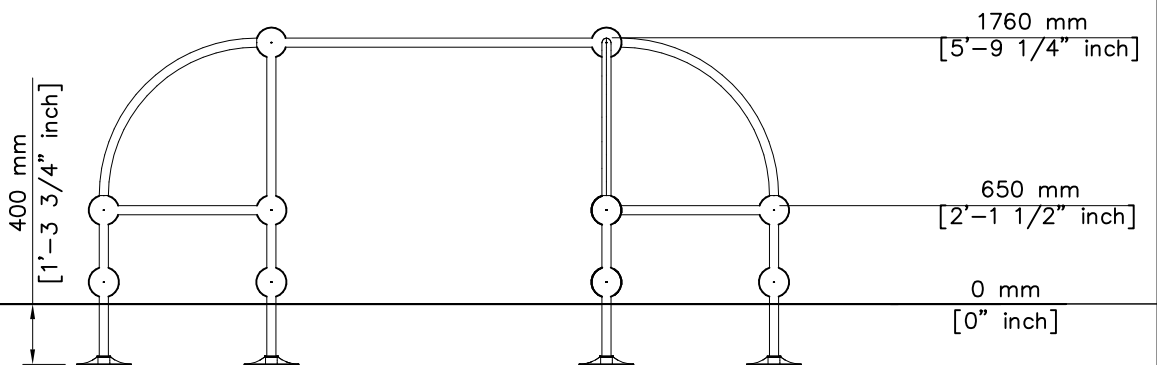
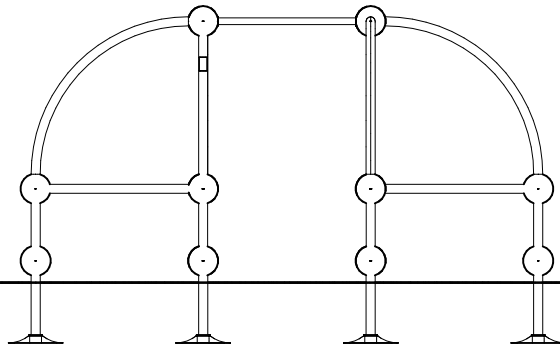
Grid Size 1000 mm (40" in)

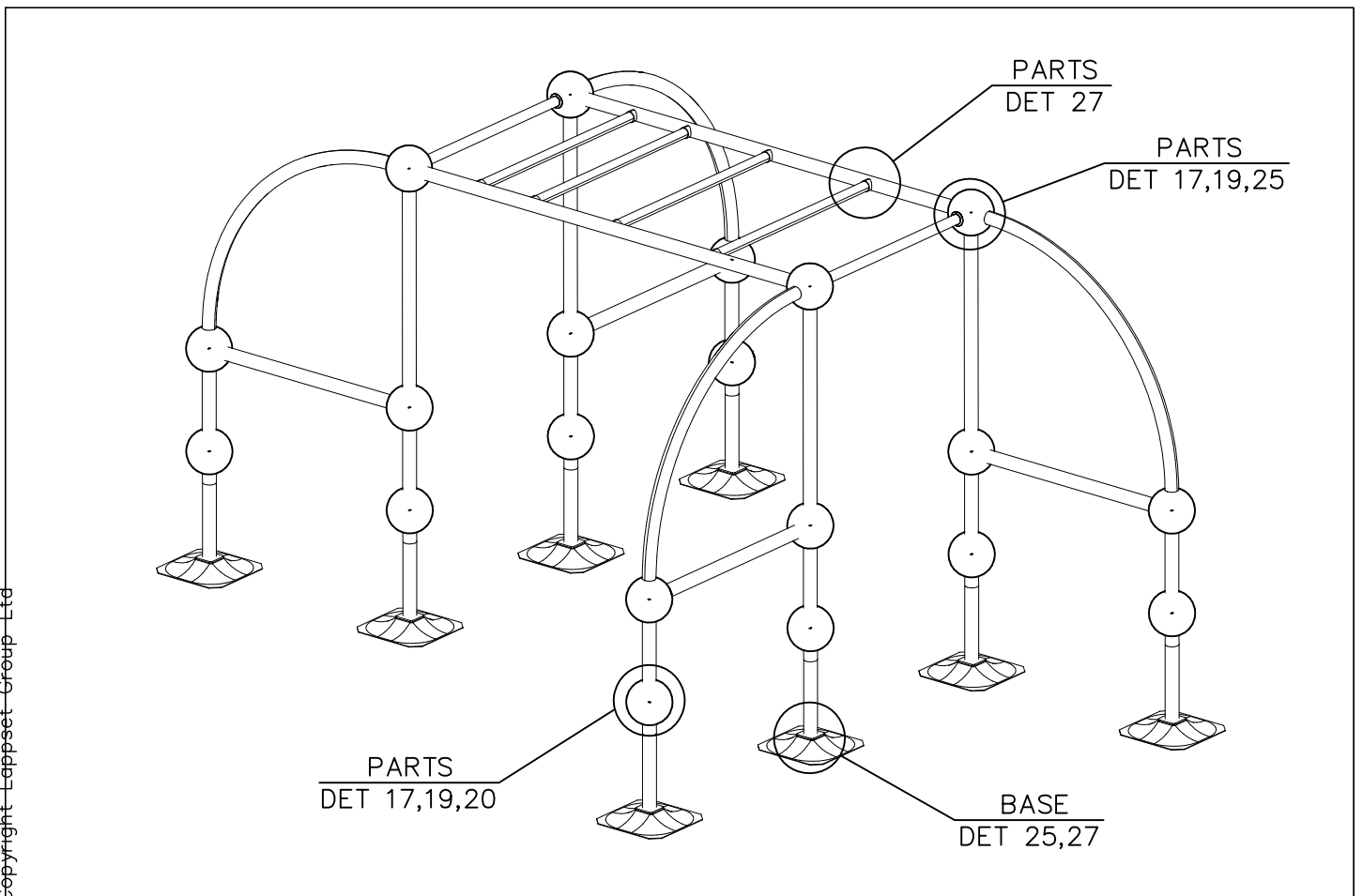
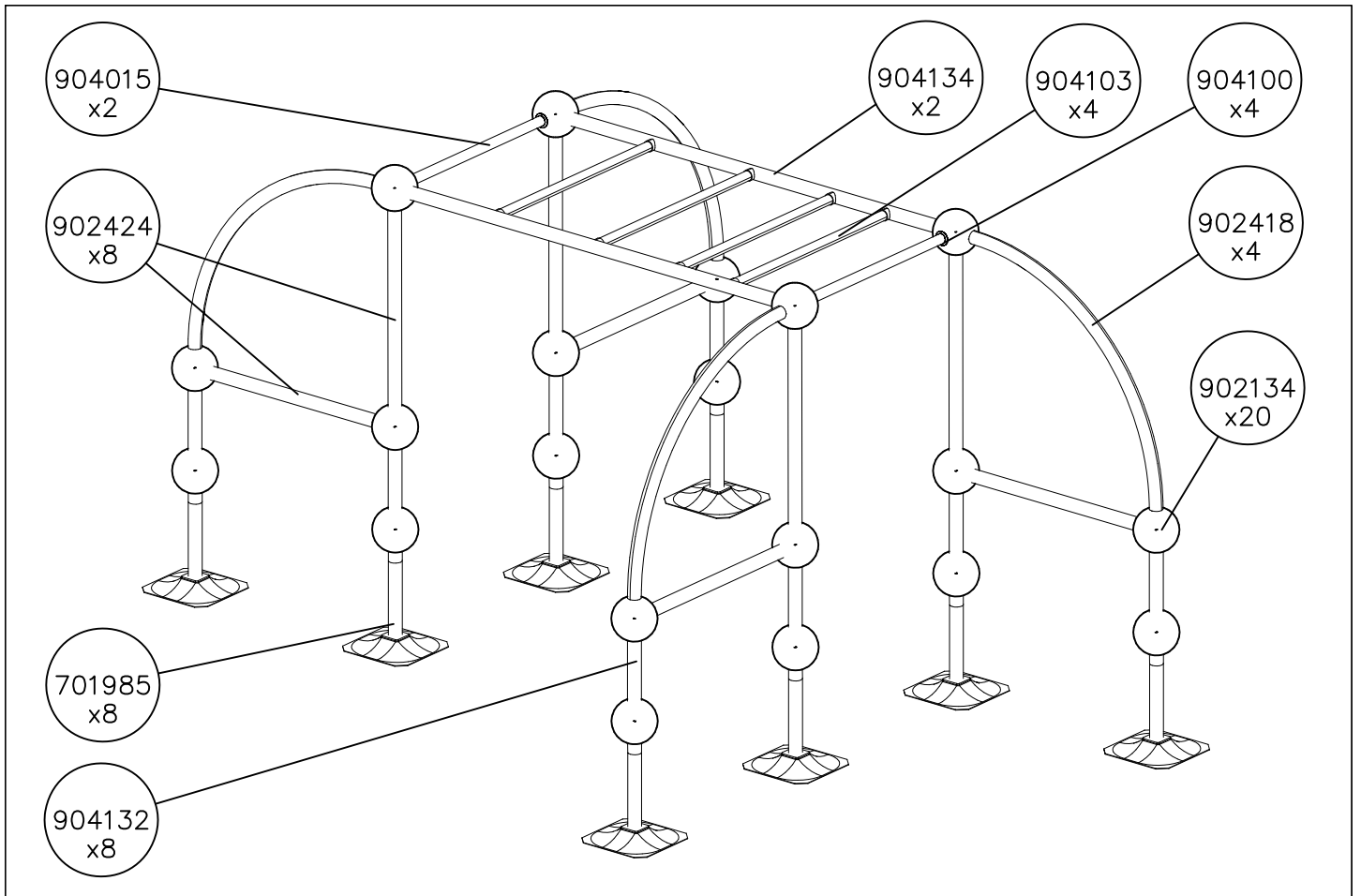


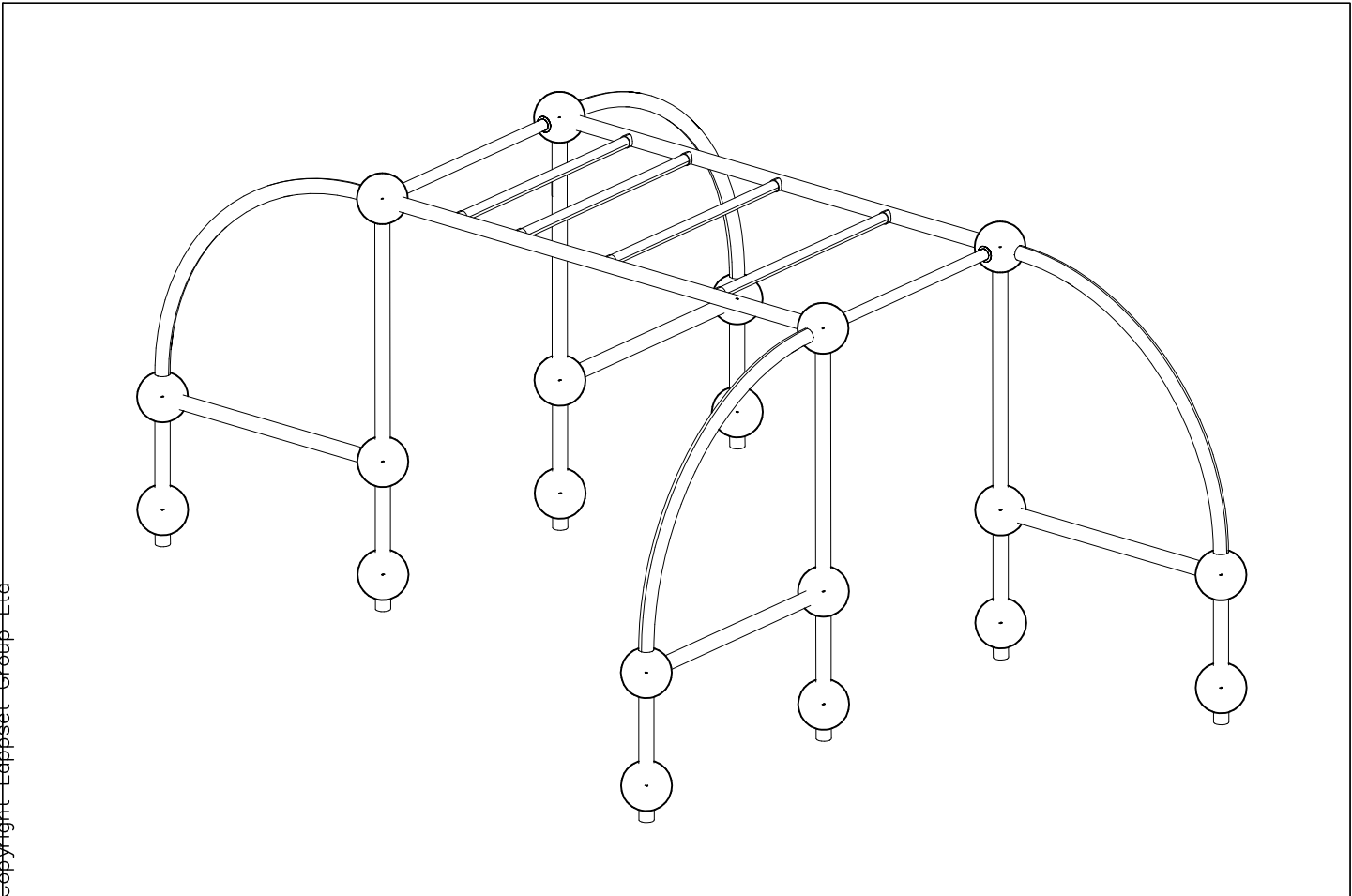
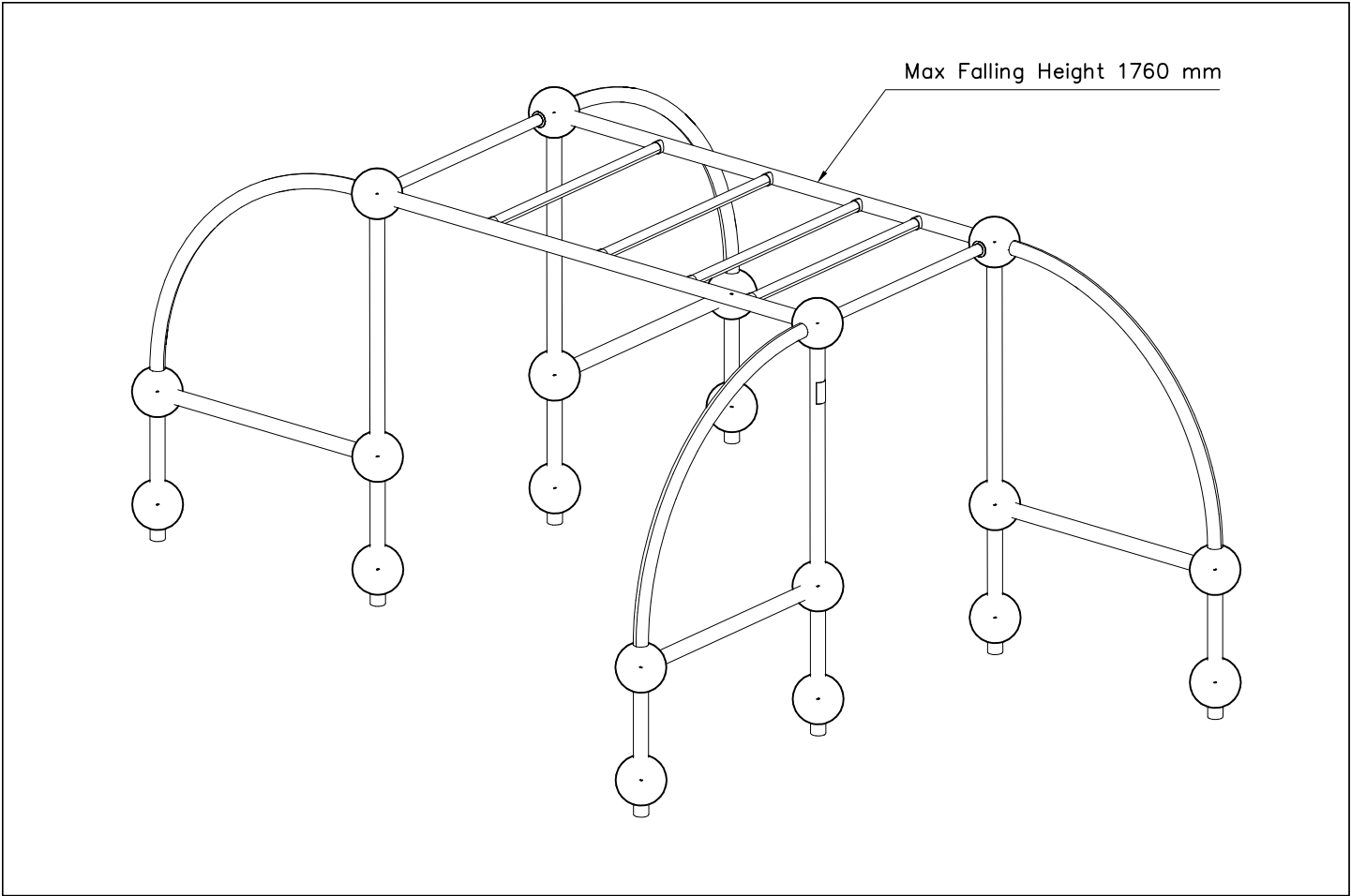
EN Impact Area 31.9 m² (344 sq ft)

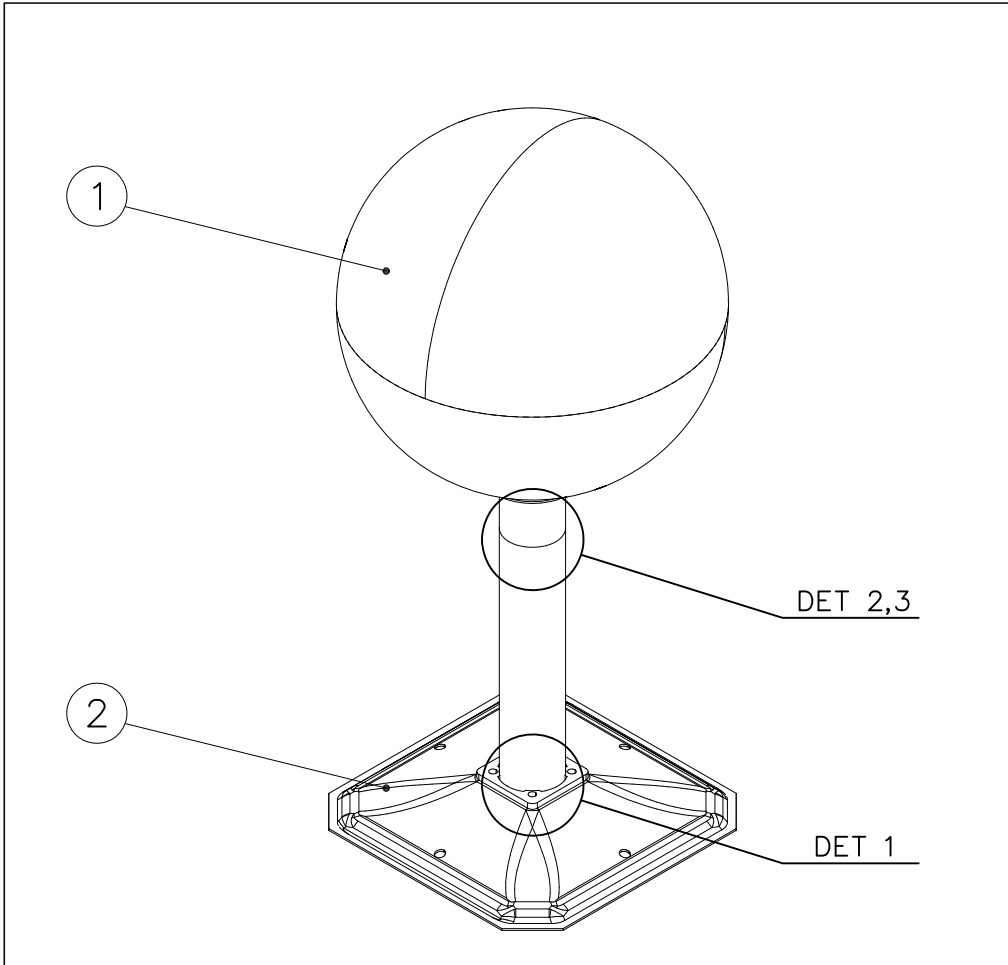
Max Falling Height 1760 mm (5'-9 1/4" in)

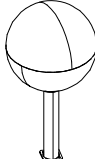
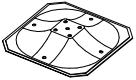

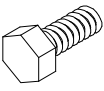

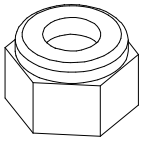


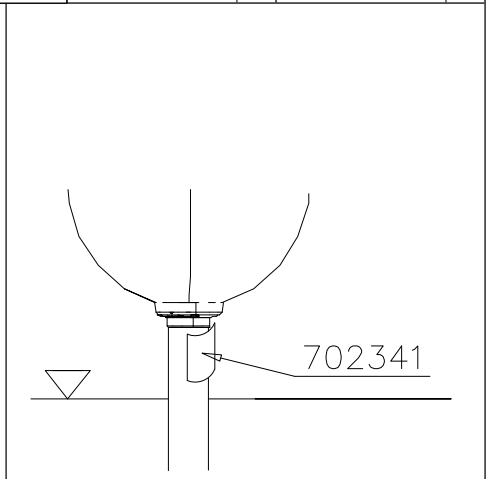
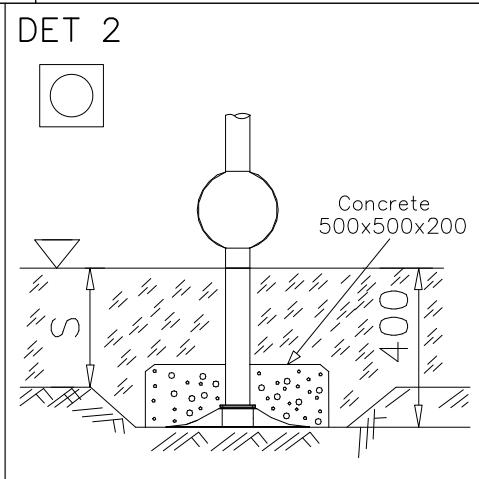
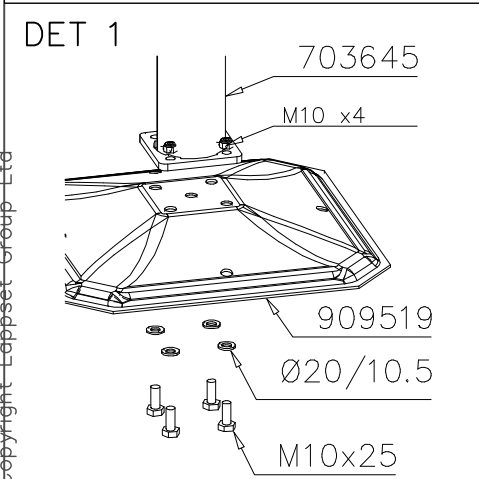
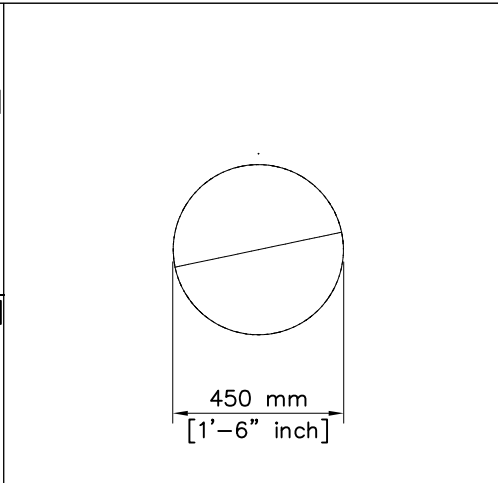
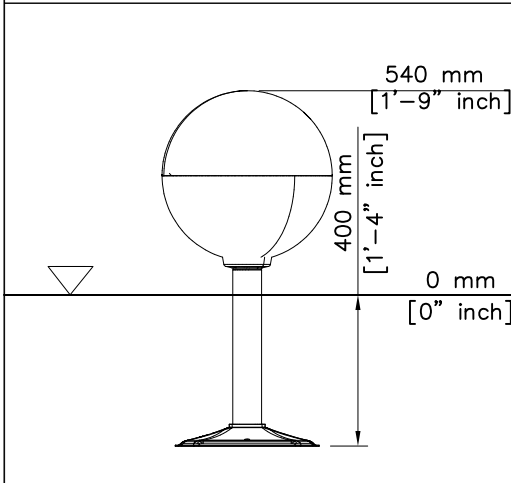




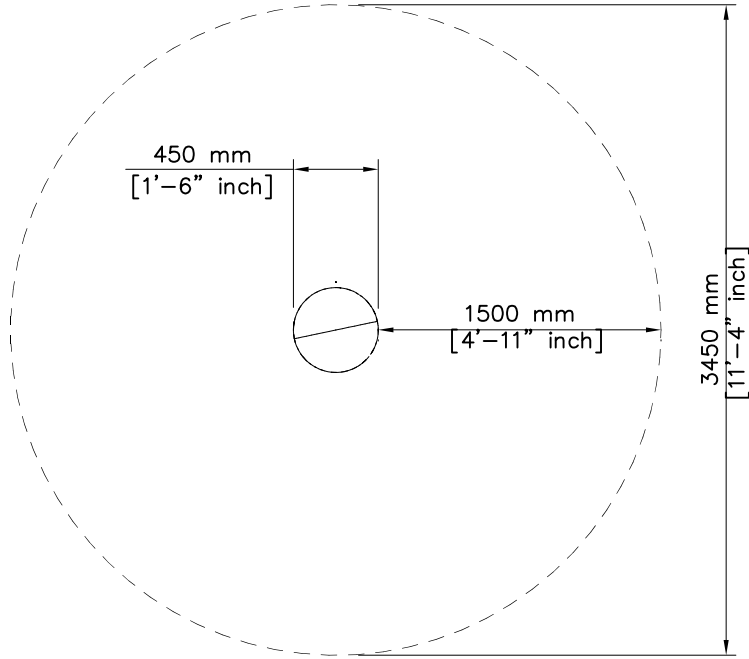
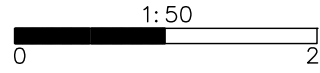




① 703644	PCS	② 909519	PCS
	1		1
		380x380	
③ 909638	PCS	④ 909639	PCS
	4		4
Ø20/10.5		M10x25	
⑤ 702341	PCS	⑥ 909637	PCS
	1		4
		M10	
	PCS		PCS
	PCS		PCS
	PCS		PCS



----- Falling Space 9.3 m² (100 sq ft)
Max Falling Height 540 mm (1'-9" in)

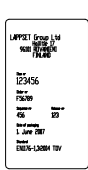
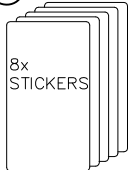
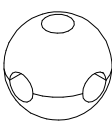
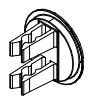
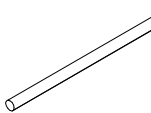
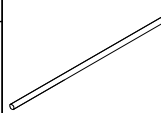
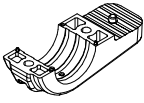

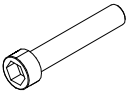
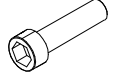
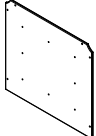
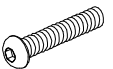

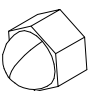
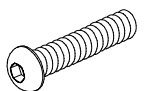



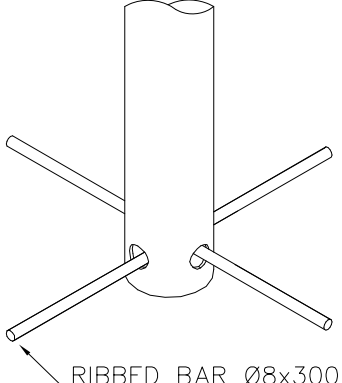
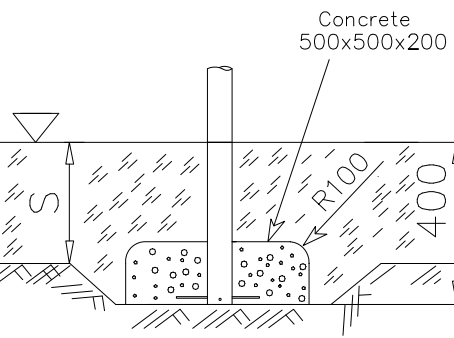
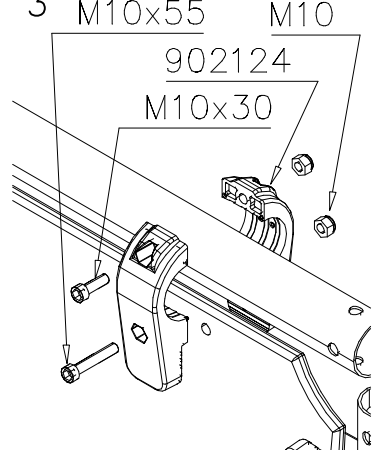
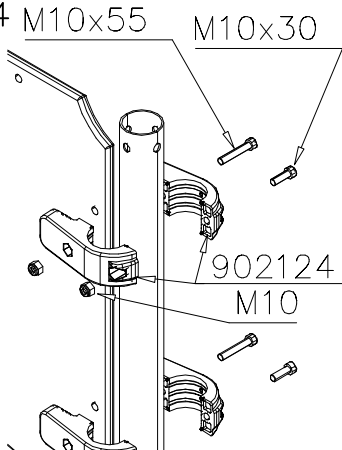
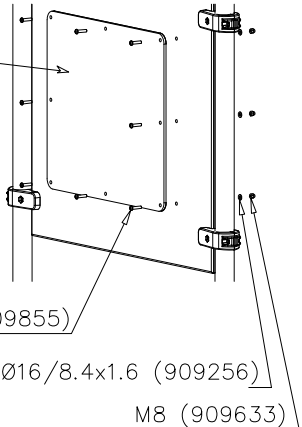
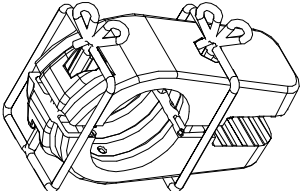
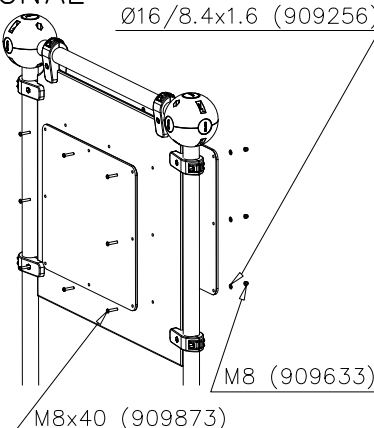
LAPPSET PARKOUR

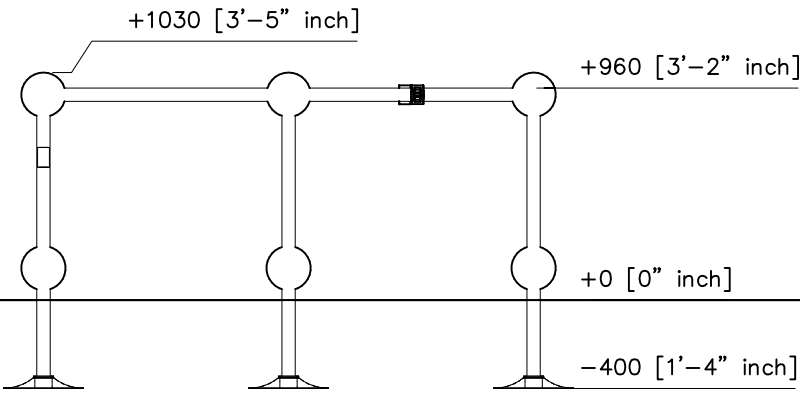
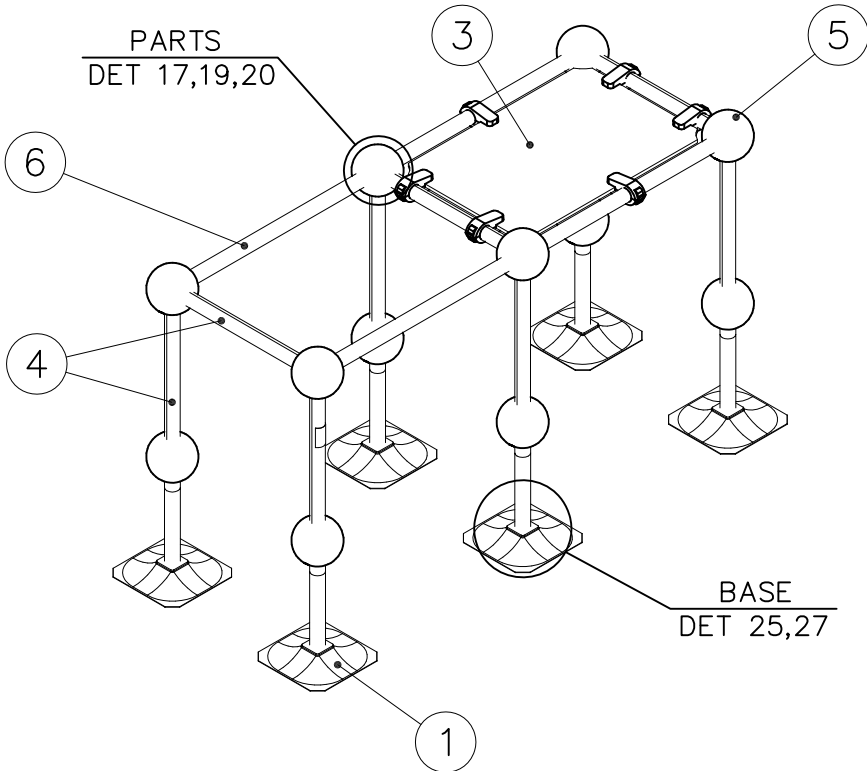
220590

DATE: 24.5.2018

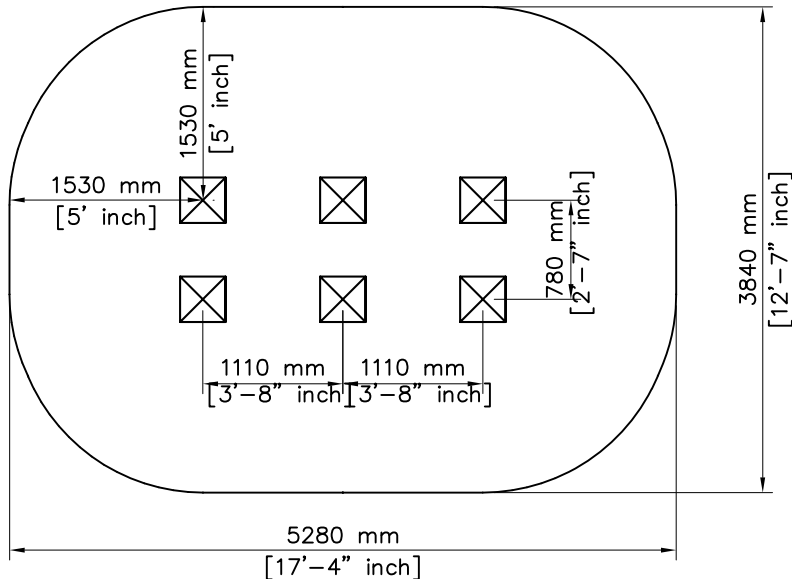
1(2)

<p>PARTS DET 17,19,20</p> <p>DET 3</p> <p>5</p> <p>3</p> <p>11</p> <p>Det 5</p> <p>DET 4</p> <p>SIGN</p> <p>6</p>	<p>① 702341 PCS</p>  <p>90x50</p>	<p>② 704599 PCS</p>  <p>8x STICKERS</p> <p>90x50</p>
<p>DET 3</p> <p>DET 4</p> <p>DET 5</p> <p>SIGN</p> <p>3</p> <p>4</p> <p>5</p> <p>6</p> <p>7</p> <p>8</p> <p>9</p> <p>10</p> <p>11</p> <p>13</p> <p>+1880 mm [[+6'-2" in]]</p>	<p>③ 902134 PCS</p>  <p>2</p>	<p>④ 902157 PCS</p>  <p>60x60x2</p>
<p>DET 1,2</p> <p>DET 3</p> <p>DET 4</p> <p>DET 5</p> <p>SIGN</p> <p>5</p> <p>6</p> <p>7</p> <p>8</p> <p>9</p> <p>10</p> <p>11</p> <p>13</p> <p>14</p> <p>15</p> <p>16</p> <p>17</p> <p>+0 mm [[+0" in]]</p> <p>-400 mm [[-1'-4" in]]</p> <p>1110 mm [[3'-8" in]]</p>	<p>⑤ 902424 PCS</p>  <p>L 1034</p>	<p>⑥ 904130 PCS</p>  <p>L 2148</p>
<p>DET 3</p> <p>DET 4</p> <p>DET 5</p> <p>SIGN</p> <p>7</p> <p>8</p> <p>9</p> <p>10</p> <p>11</p> <p>13</p> <p>+1880 mm [[+6'-2" in]]</p>	<p>⑦ 902124 PCS</p>  <p>150x50x50</p>	<p>⑧ 980161 PCS</p>  <p>M10</p>
<p>DET 1,2</p> <p>DET 3</p> <p>DET 4</p> <p>DET 5</p> <p>SIGN</p> <p>9</p> <p>10</p> <p>11</p> <p>13</p> <p>14</p> <p>15</p> <p>16</p> <p>17</p> <p>+0 mm [[+0" in]]</p> <p>-400 mm [[-1'-4" in]]</p> <p>1110 mm [[3'-8" in]]</p>	<p>⑨ 902232 PCS</p>  <p>M10x55</p>	<p>⑩ 902233 PCS</p>  <p>M10x30</p>
<p>DET 3</p> <p>DET 4</p> <p>DET 5</p> <p>SIGN</p> <p>11</p> <p>13</p> <p>14</p> <p>15</p> <p>16</p> <p>17</p> <p>+1880 mm [[+6'-2" in]]</p>	<p>⑪ 704829 PCS</p>  <p>15x913x993</p>	<p>⑬ 909855 PCS</p>  <p>M8x35</p>
<p>DET 1,2</p> <p>DET 3</p> <p>DET 4</p> <p>DET 5</p> <p>SIGN</p> <p>14</p> <p>15</p> <p>16</p> <p>17</p> <p>+0 mm [[+0" in]]</p> <p>-400 mm [[-1'-4" in]]</p> <p>1110 mm [[3'-8" in]]</p>	<p>⑭ 909256 PCS</p>  <p>Ø16/8.4x1.6</p>	<p>⑮ 909633 PCS</p>  <p>M8</p>
<p>DET 3</p> <p>DET 4</p> <p>DET 5</p> <p>SIGN</p> <p>16</p> <p>17</p> <p>+1880 mm [[+6'-2" in]]</p>	<p>⑯ 909873 PCS</p>  <p>M8x40</p>	<p>○ 704855-704866 PCS</p>  <p>NOT INCLUDED 8x560x640</p>

<p>DET 1</p>  <p>RIBBED BAR Ø8x300</p>	<p>DET 2</p>  <p>Concrete 500x500x200</p>	<p>DET 3</p>  <p>M10x55 M10 902124 M10x30</p>
<p>DET 4</p>  <p>M10x55 M10x30 902124 M10</p>	<p>DET 5</p>  <p>NOTE: Various signs.</p> <p>HUOM: Useita erilaisia kylttejä.</p> <p>M8x35 (909855) Ø16/8.4x1.6 (909256) M8 (909633)</p>	 <p>NOTE: Use a wire marked pairs of the same junction.</p> <p>Huom! Käytä langalla merkittyä paria samassa liitoksessa.</p>
<p>OPTIONAL</p>  <p>Ø16/8.4x1.6 (909256) M8 (909633) M8x40 (909873)</p>		



EN/AS Impact Area 18.2 m² (196 sq ft)
 Falling Space Area 18.2 m² (196 sq ft)
 Max Falling Height 960 mm (3'-2" in)



① 701985	PCS	② 702341	PCS
	6	 90x50	1
③ 703487	PCS	④ 902022	PCS
	1	 L 710	9
⑤ 902134	PCS	⑥ 902424	PCS
	12	 L 1034	4
⑦ 904747	PCS		PCS
	40		
60x60x2			
	PCS		PCS
	PCS		PCS
	PCS		PCS

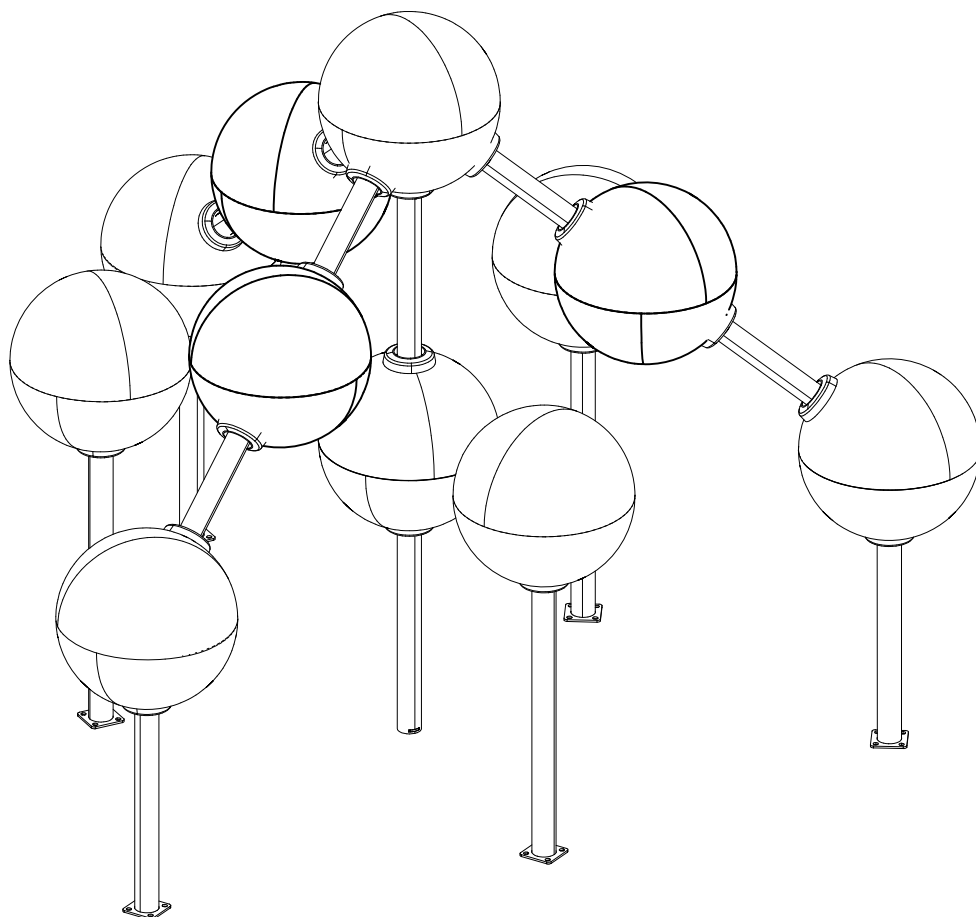
LAPPSET®

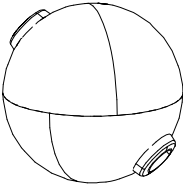
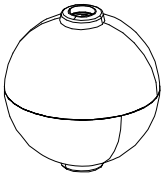
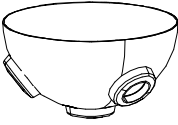


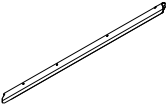

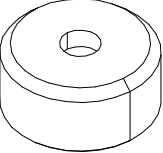
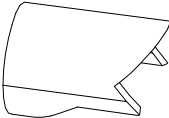
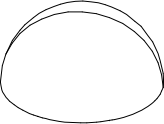

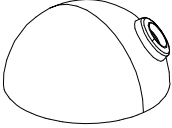
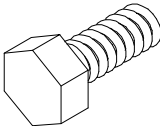
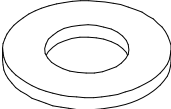
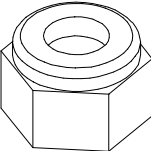
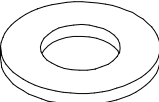

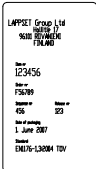
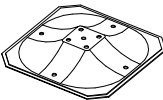
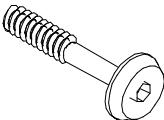
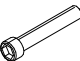
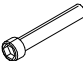
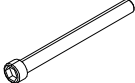
PARKOUR

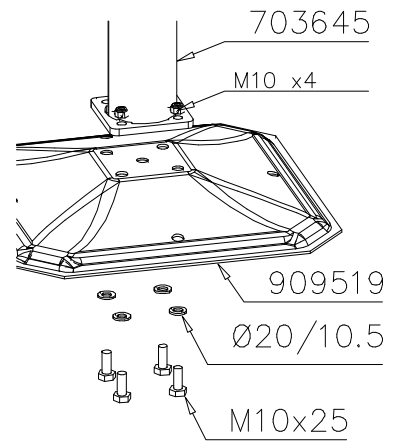
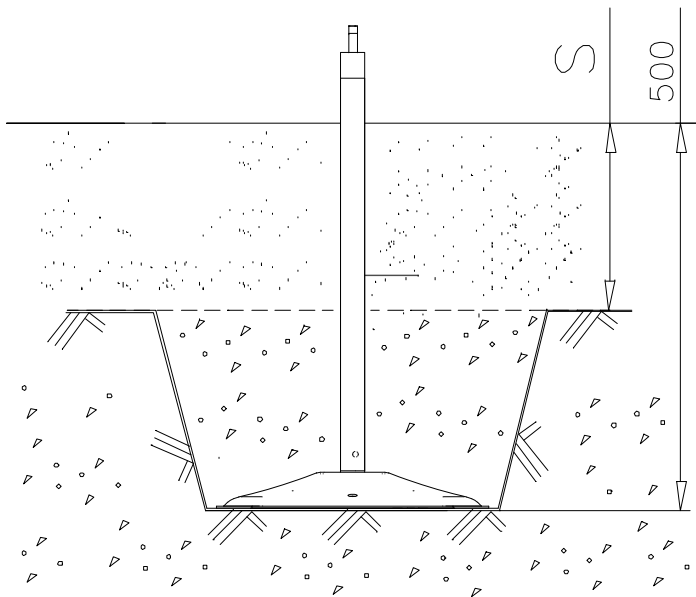
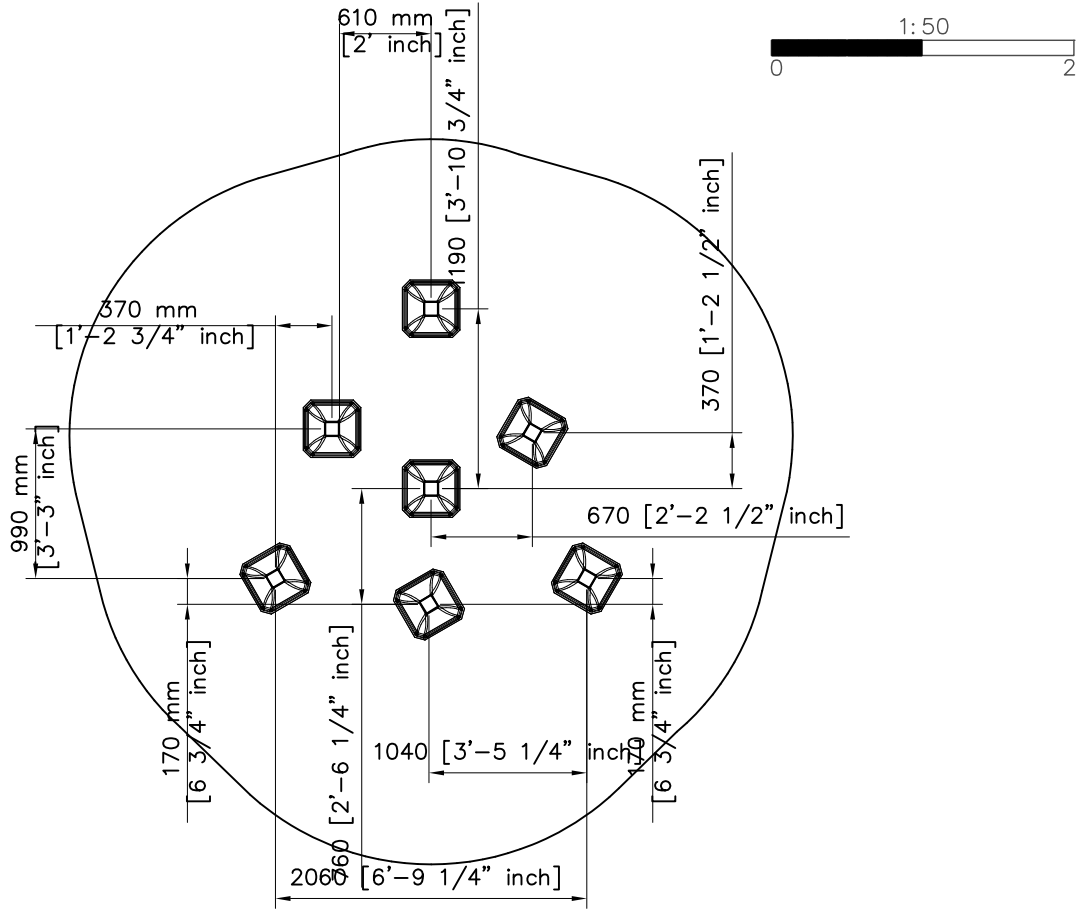
ASENNUSOHJE
MONTERINGSANSVISNING
INSTALLATION INSTRUCTION
AUFBAUANLEITUNG
NOTICE D'INSTALLATION

REF: 220505
DATE: 21.7.2020

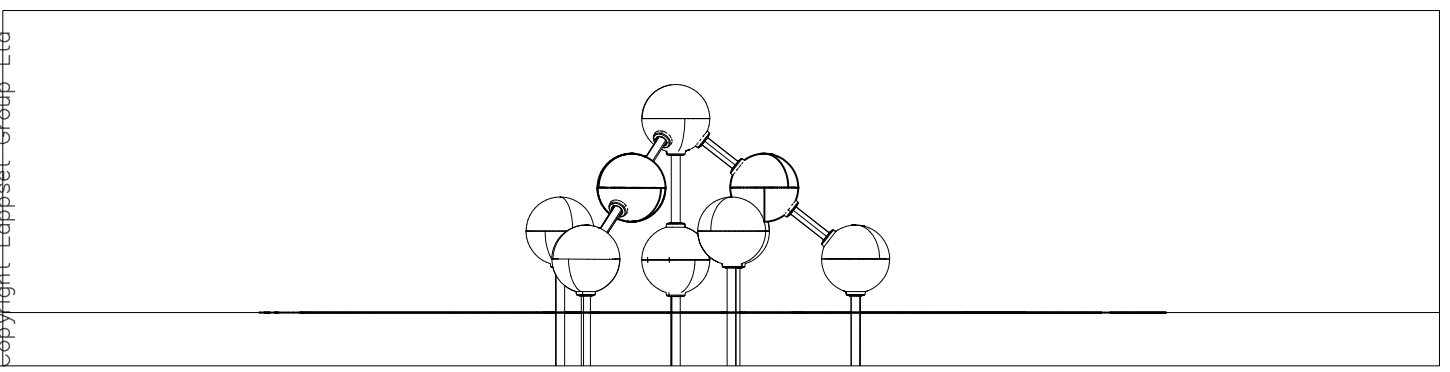
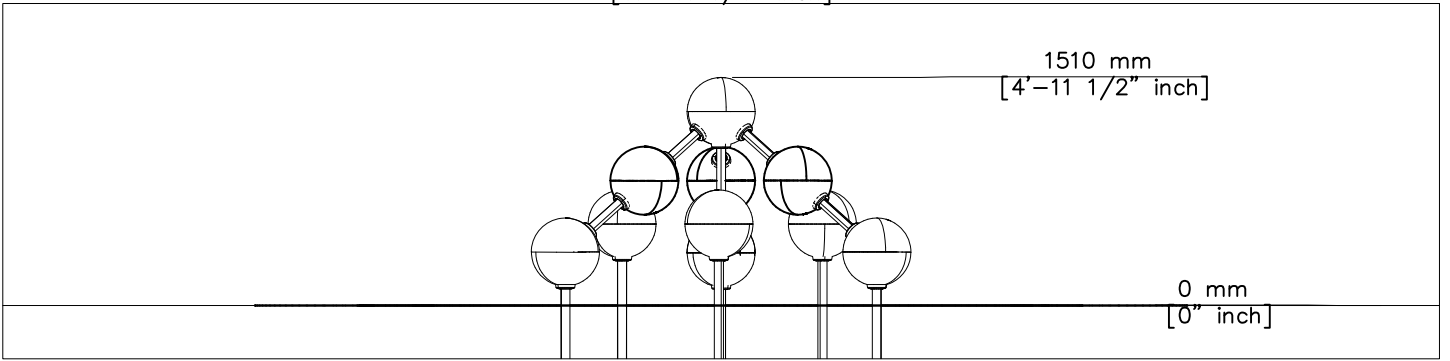
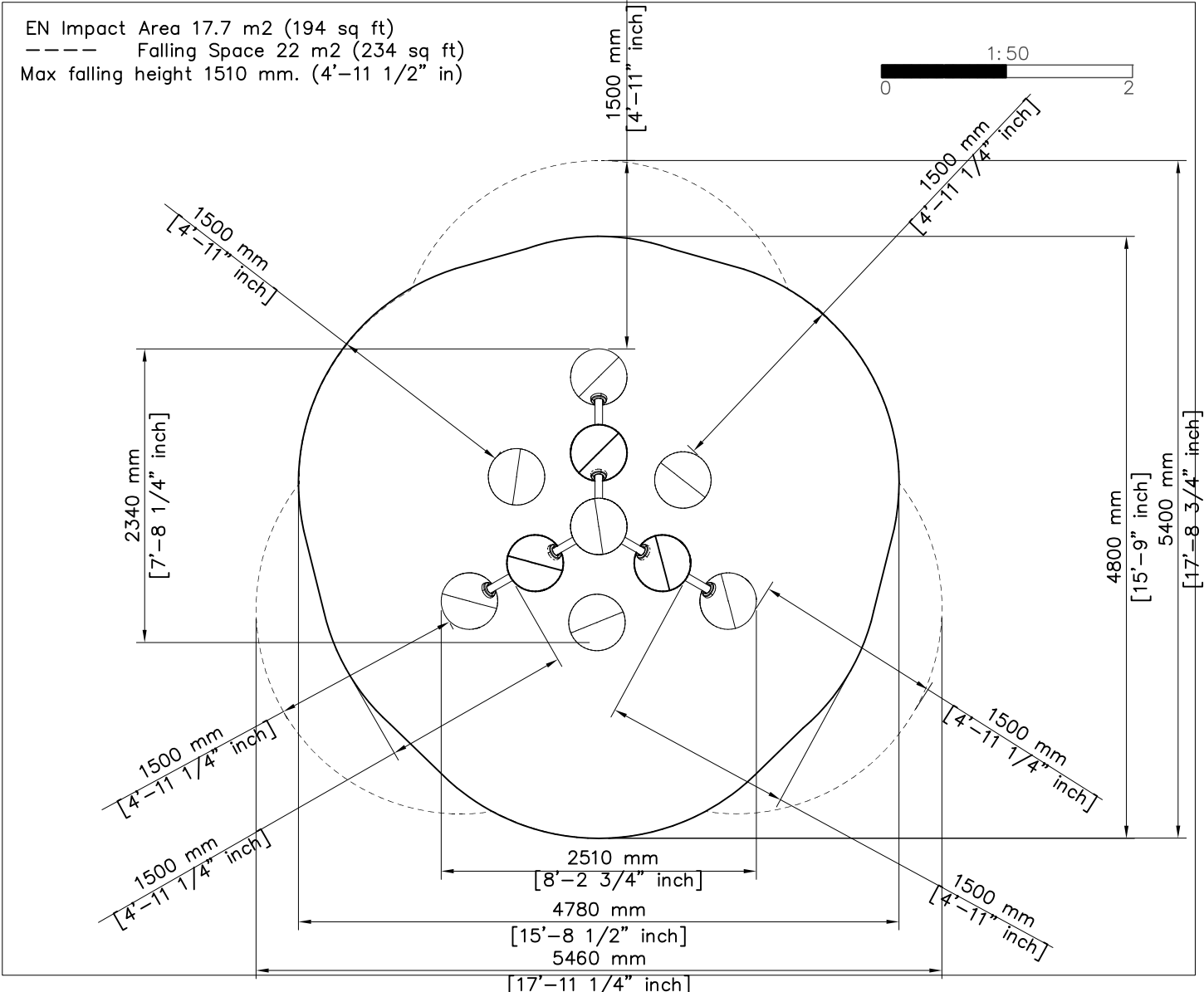
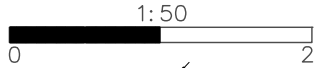
220505



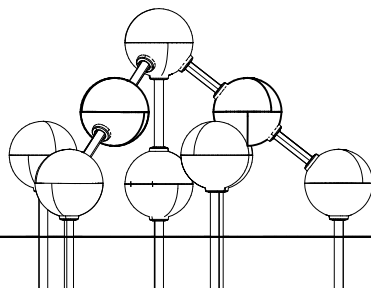
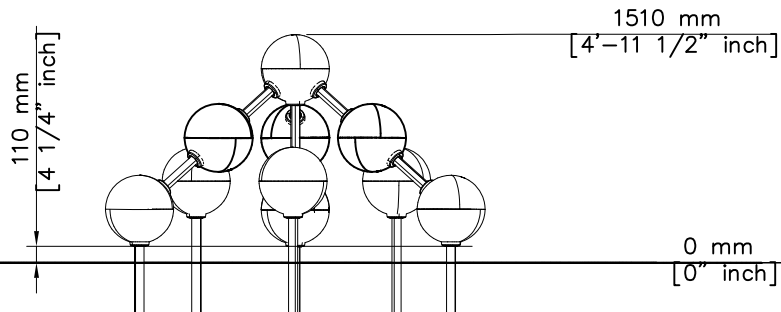
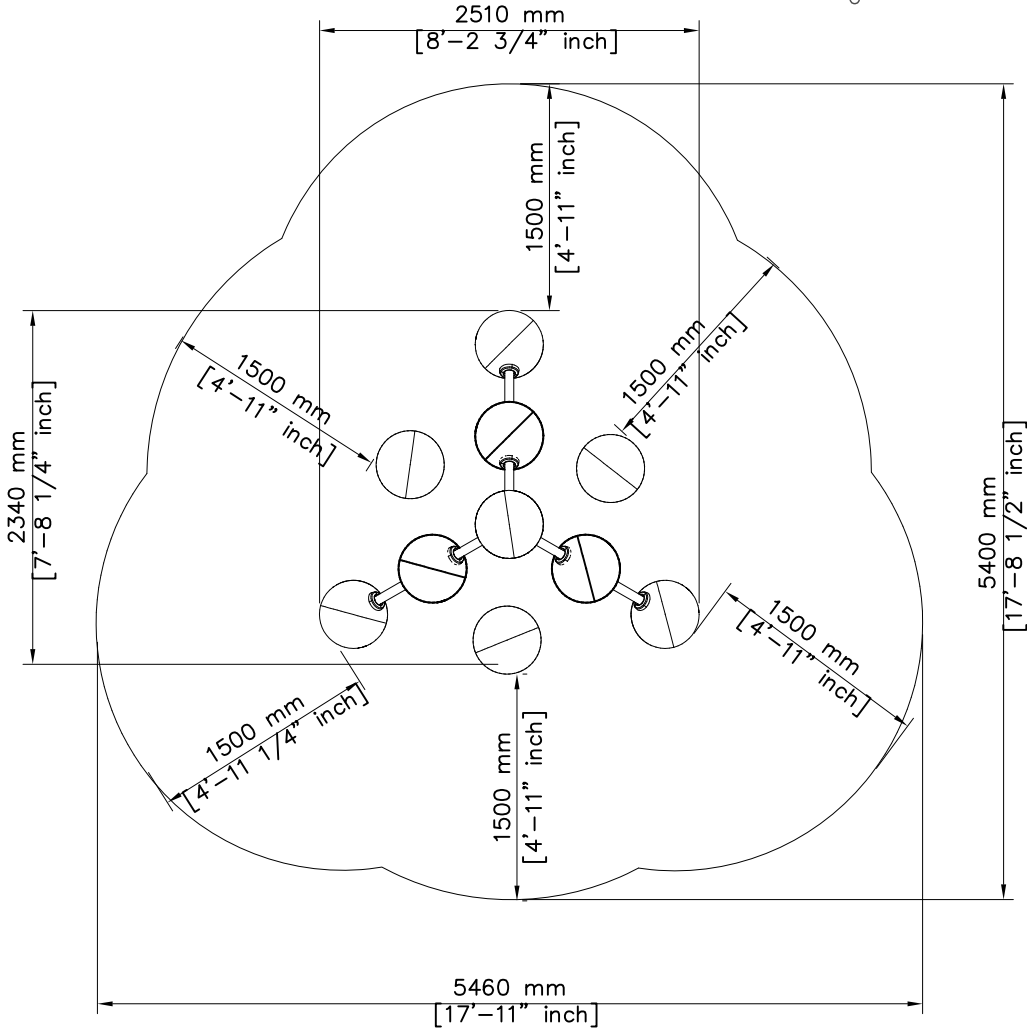
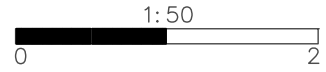
 709770 Black	PCS 3	 709771 Ø450	PCS 1	 709772 YELLOW	PCS 1	 709773 Ø450	PCS 3	 908458 90x90x1934	PCS 1	 908456 Ø60x2,5x1500	PCS 3
 908460 90x90x1005	PCS 3	 911353 Ø77x36	PCS 4	 908455 Ø19x2x26	PCS 6	 904111 Ø450x225	PCS 1	 908592 Ø450x225	PCS 3	 908593 Ø450x225	PCS 3
 909639 M10x25	PCS 12	 909638 Ø20/10.5	PCS 21	 909637 M10	PCS 15	 980151 Ø16/8.4	PCS 1	 909274 M8x30	PCS 1	 702341 90x50	PCS 1
 909519 50x380x380	PCS 4	 909868 M8x50	PCS 1	 911354 M8x90	PCS 3	 709910 M8x85	PCS 1	 903238 M10x140	PCS 3		PCS
	PCS		PCS		PCS		PCS		PCS		PCS
	PCS		PCS		PCS		PCS		PCS		PCS
	PCS		PCS		PCS		PCS		PCS		PCS

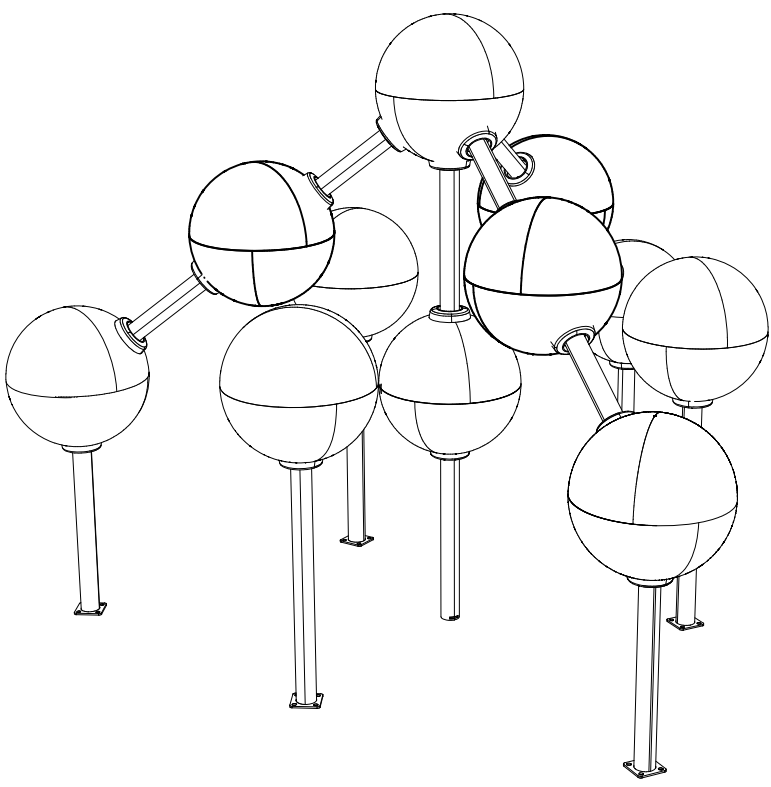
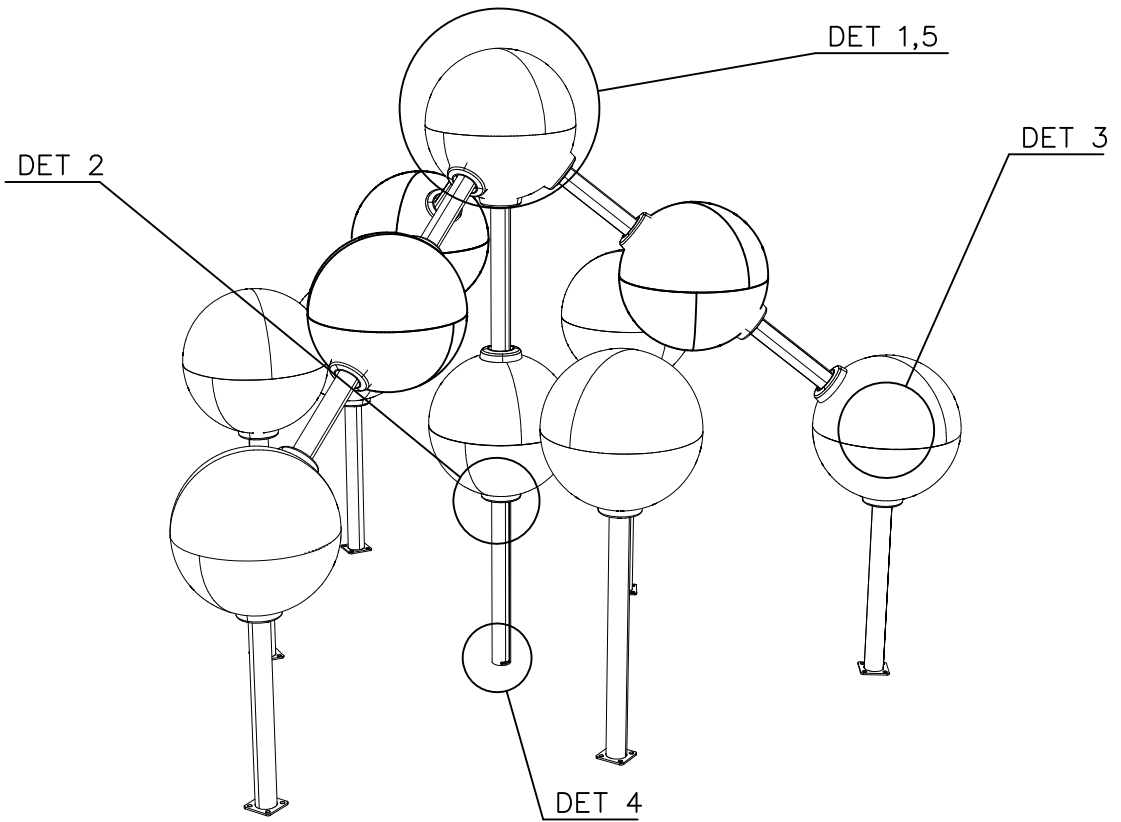


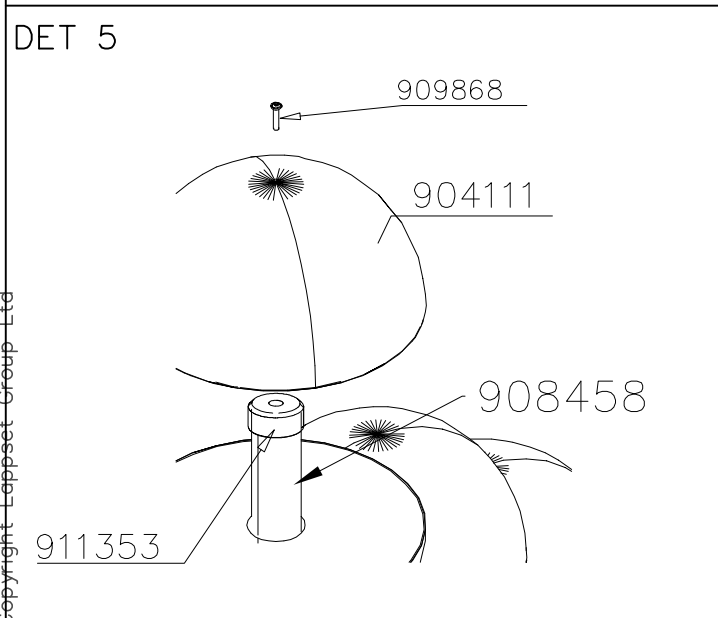
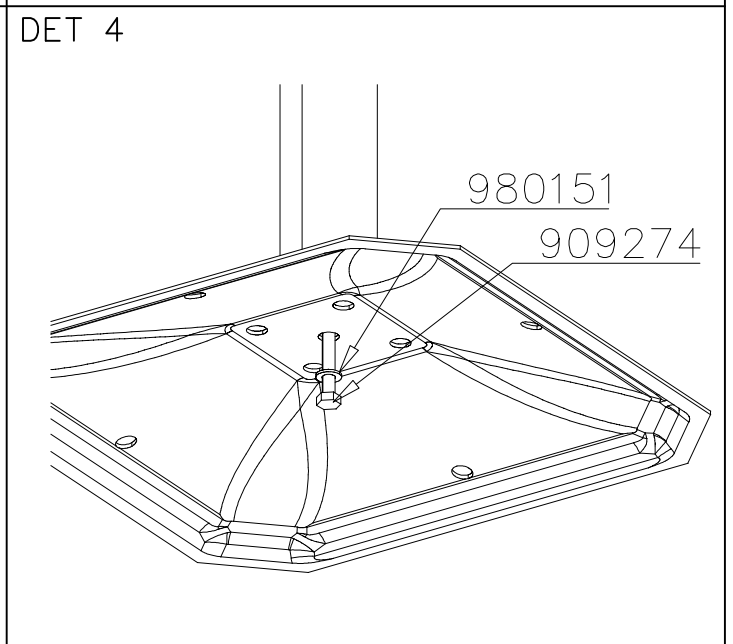
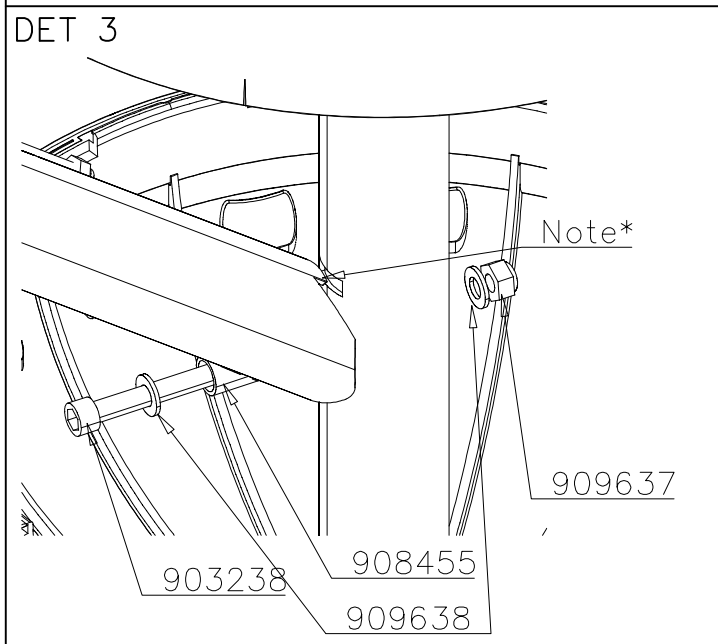
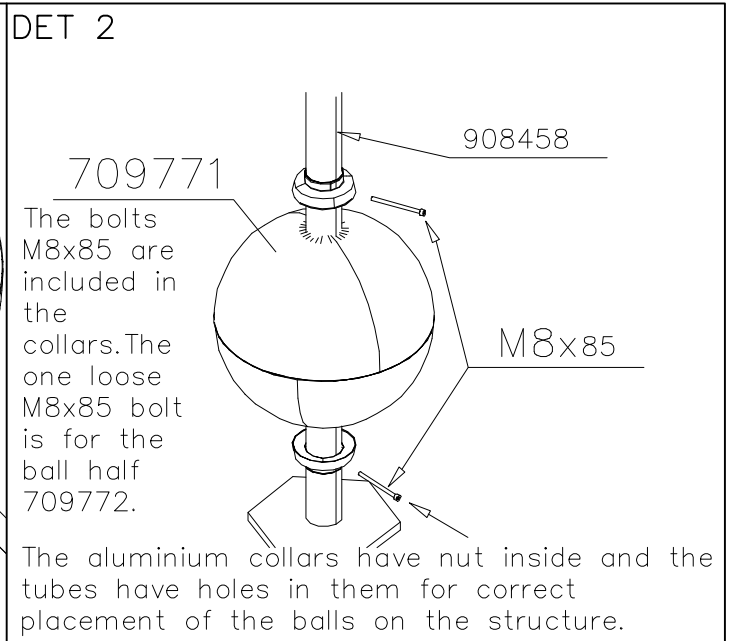
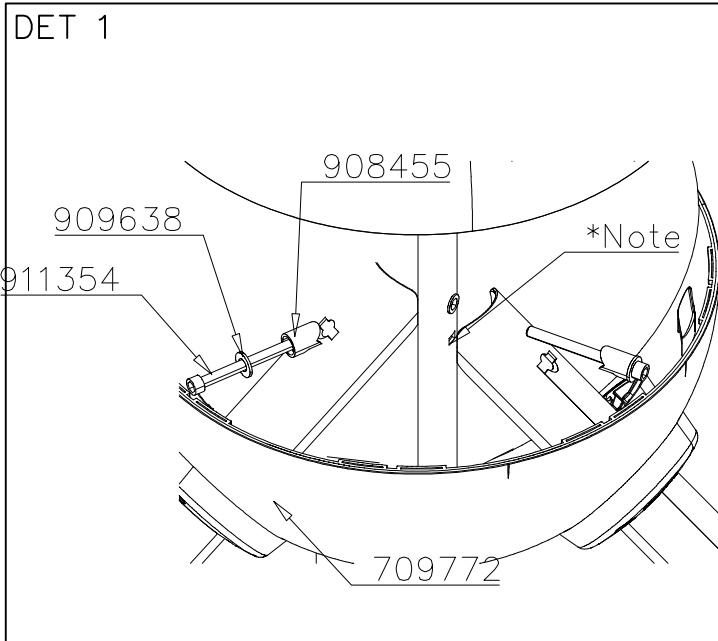
EN Impact Area 17.7 m² (194 sq ft)
 ----- Falling Space 22 m² (234 sq ft)
 Max falling height 1510 mm. (4'-11 1/2" in)



AS Impact Area 22 m² (234 sq ft)
Max falling height 1510 mm. (4'-11 1/2" in)





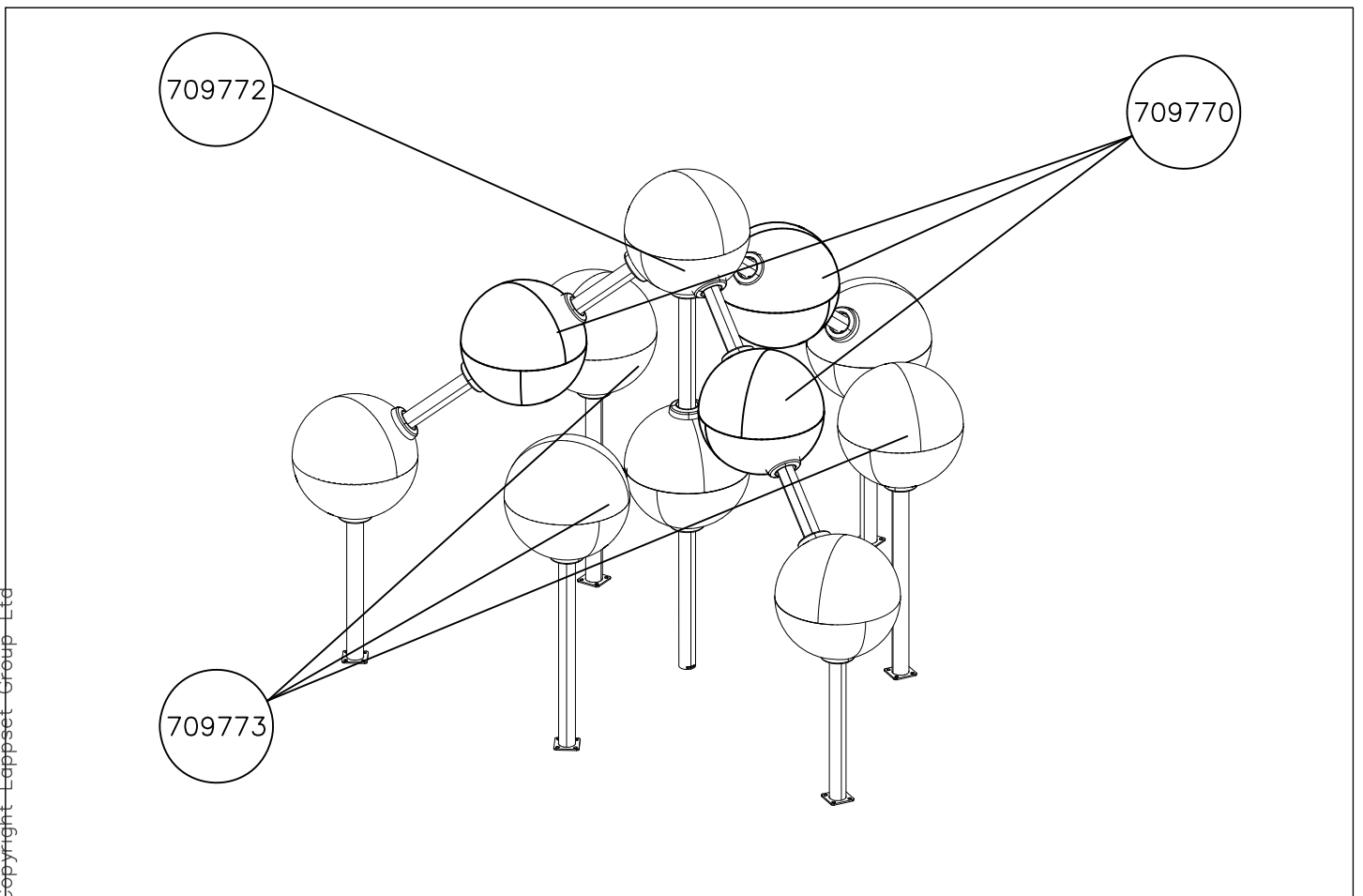
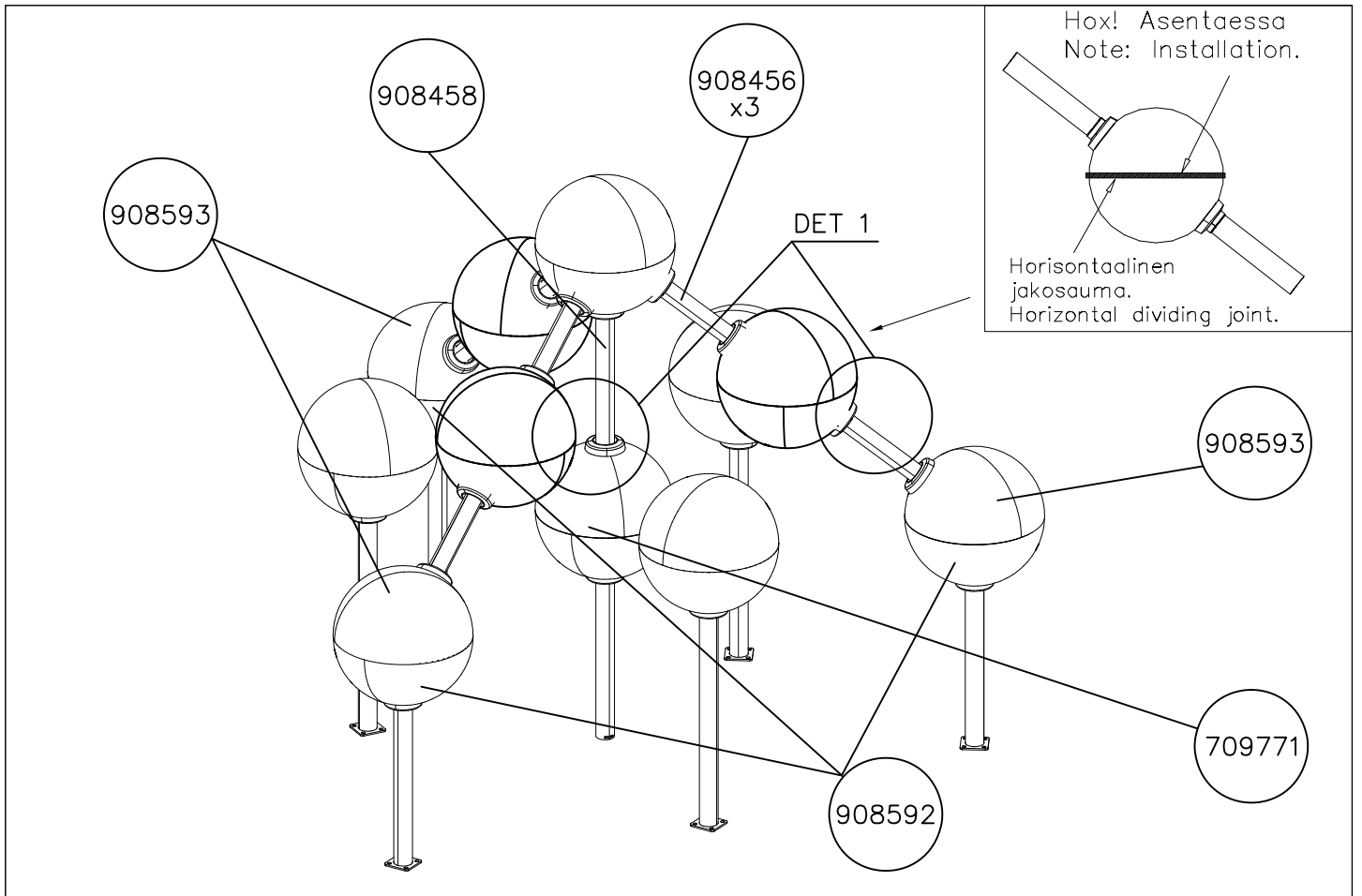


*Note

The wide "teeth" of tube 908456 goes downwards to element 908460, and thinner "teeth" upwards to middle tube

Slide the ball half 709772 from the foundation side of the center tube in place, then the middle ball 709771, and finally install the foundation foot.

911353 is placed on top of 908458 and tubes 908460



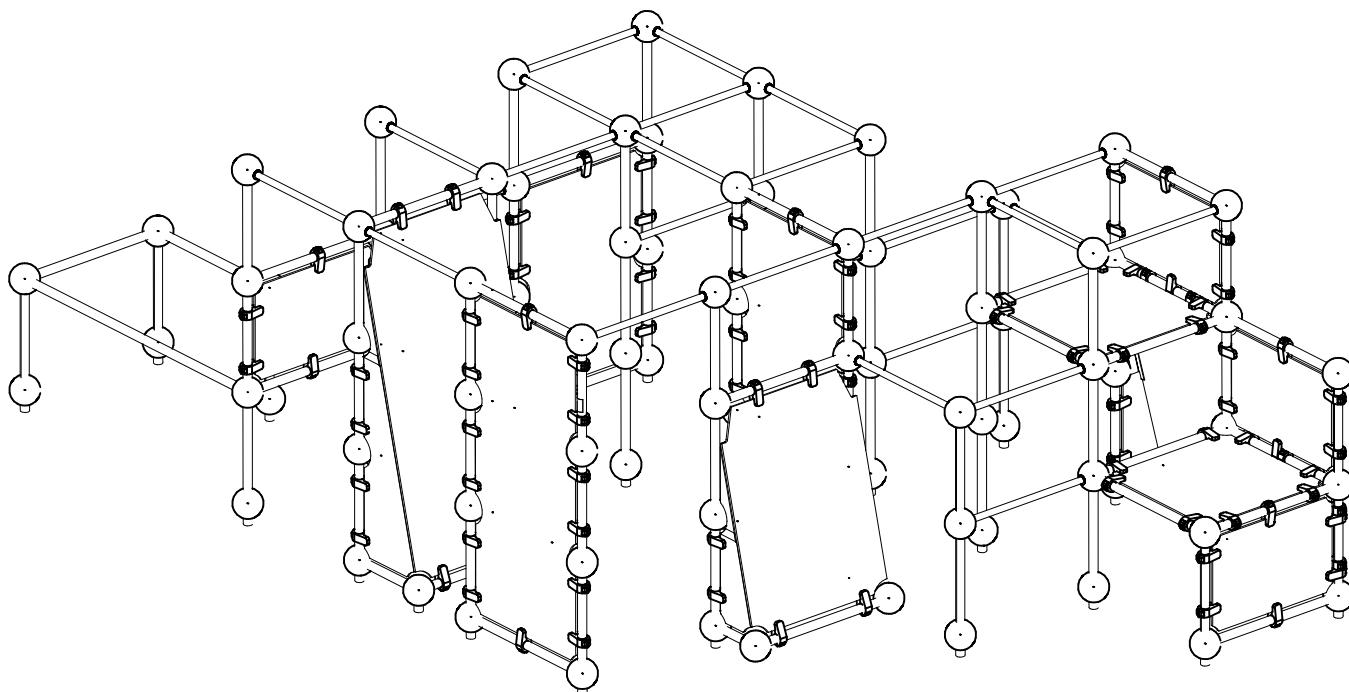
LAPPSET®

PARKOUR

ASENNUSOHJE
MONTERINGSANSVISNING
INSTALLATION INSTRUCTION
AUFBAUANLEITUNG
NOTICE D'INSTALLATION

DATE: 23.2.2015

220526



DATE: 23.2.2015

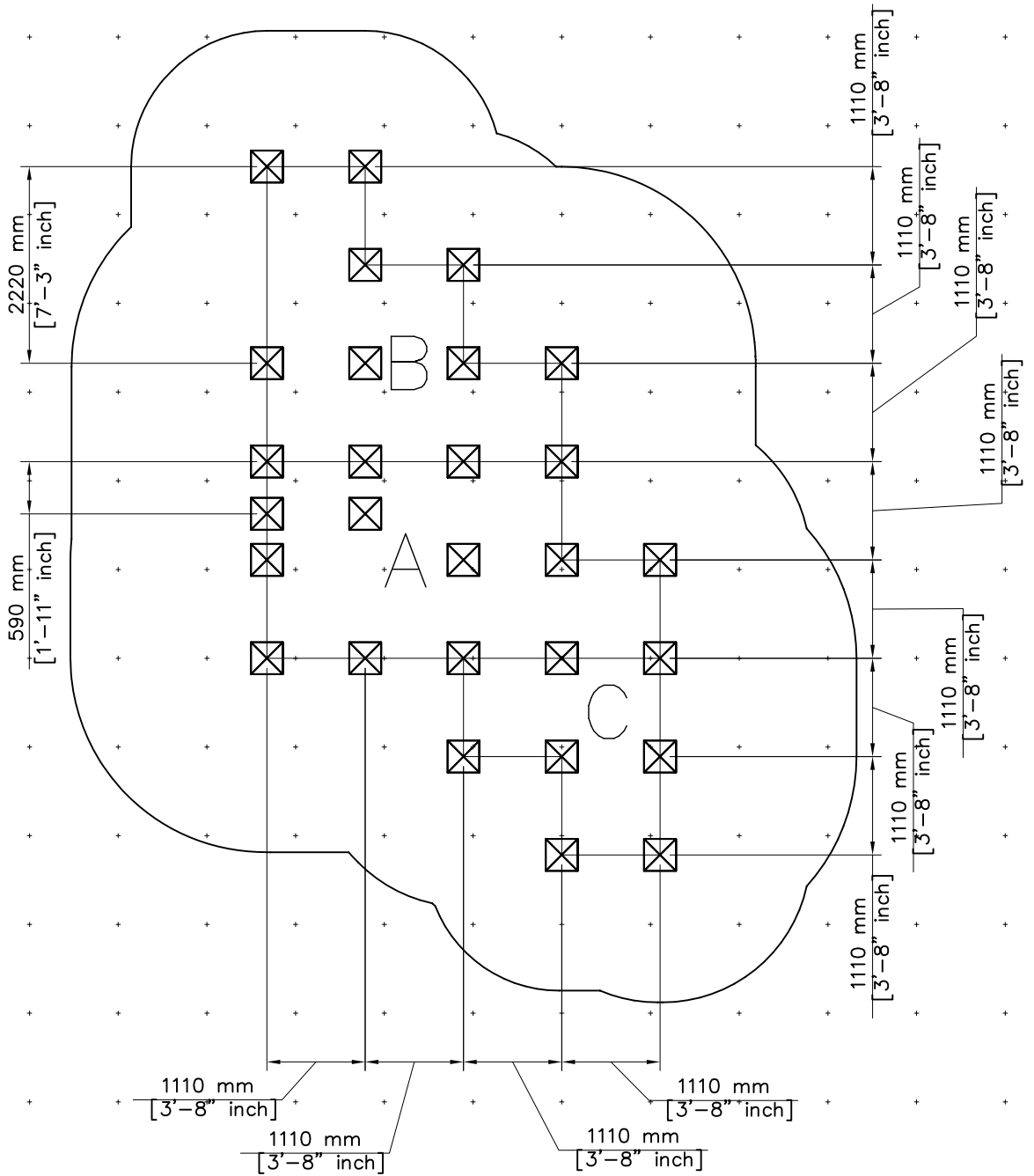
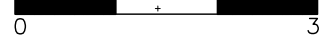
<p>701985</p> <p>PCS 28</p>	<p>702341</p> <p>PCS 1</p> <p>90x50</p>	<p>703456</p> <p>PCS 1</p>	<p>703459</p> <p>PCS 1</p>	<p>703479</p> <p>PCS 1</p>	<p>703480</p> <p>PCS 1</p>
<p>703484</p> <p>PCS 1</p>	<p>703486</p> <p>PCS 2</p>	<p>703487</p> <p>PCS 3</p>	<p>703898</p> <p>PCS 1</p>	<p>703899</p> <p>PCS 1</p>	<p>703902</p> <p>PCS 1</p>
<p>901991</p> <p>PCS 3</p> <p>L 1493</p>	<p>902022</p> <p>PCS 5</p> <p>L 710</p>	<p>902134</p> <p>PCS 97</p>	<p>904747</p> <p>PCS 298</p> <p>60x60x2</p>	<p>902424</p> <p>PCS 29</p> <p>L 1034</p>	<p>904015</p> <p>PCS 17</p> <p>Ø44.5x1034</p>
<p>904032</p> <p>PCS 18</p> <p>L 2278</p>	<p>904100</p> <p>PCS 54</p> <p>44.5-60.3</p>	<p>904102</p> <p>PCS 5</p> <p>Ø44.5x2148</p>	<p>904130</p> <p>PCS 1</p> <p>L 2148</p>	<p>904413</p> <p>PCS 4</p> <p>L 323</p>	<p>904414</p> <p>PCS 2</p> <p>L 515</p>
<p>PCS</p>	<p>PCS</p>	<p>PCS</p>	<p>PCS</p>	<p>PCS</p>	<p>PCS</p>
<p>PCS</p>	<p>PCS</p>	<p>PCS</p>	<p>PCS</p>	<p>PCS</p>	<p>PCS</p>
<p>PCS</p>	<p>PCS</p>	<p>PCS</p>	<p>PCS</p>	<p>PCS</p>	<p>PCS</p>

EN/AS Impact Area 72.7 m² (783 sq ft)

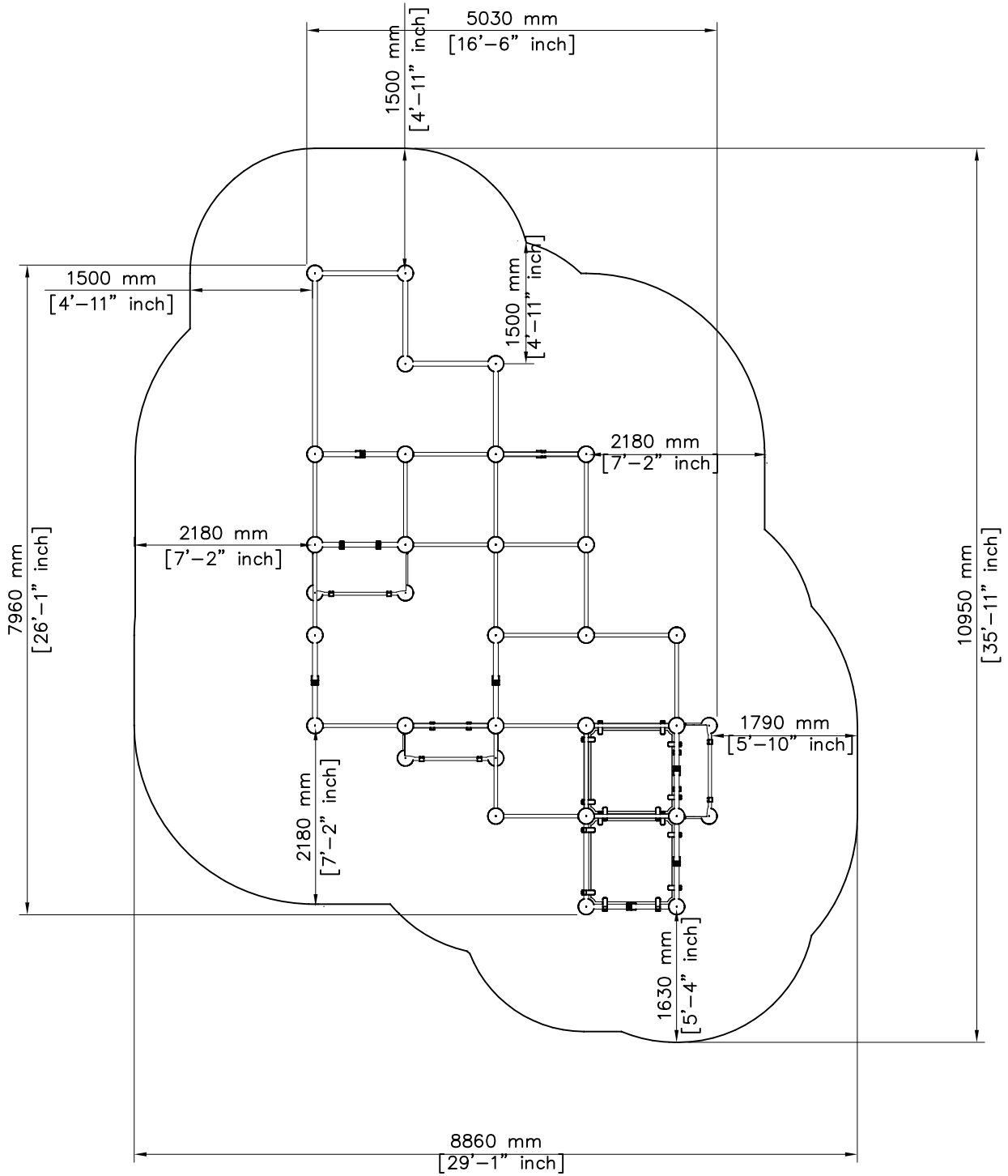
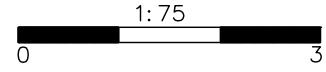
Falling Space Area 72.7 m² (783 sq ft)

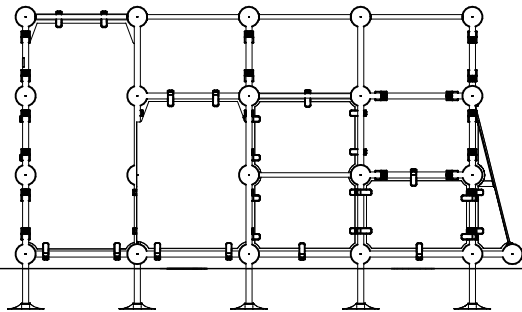
Grid size = 1000 mm (40" in)

1:75



- EN/AS Impact Area 72.7 m² (783 sq ft)
- Falling Space Area 72.7 m² (783 sq ft)
- Max Falling Height 2530 mm (8'-4" in)





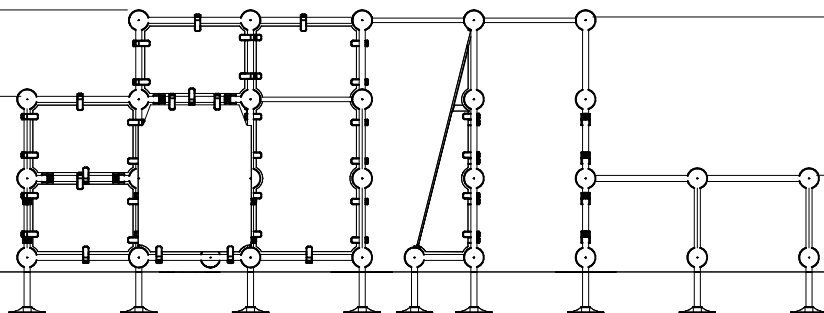
2600 mm
[8'-6" inch]

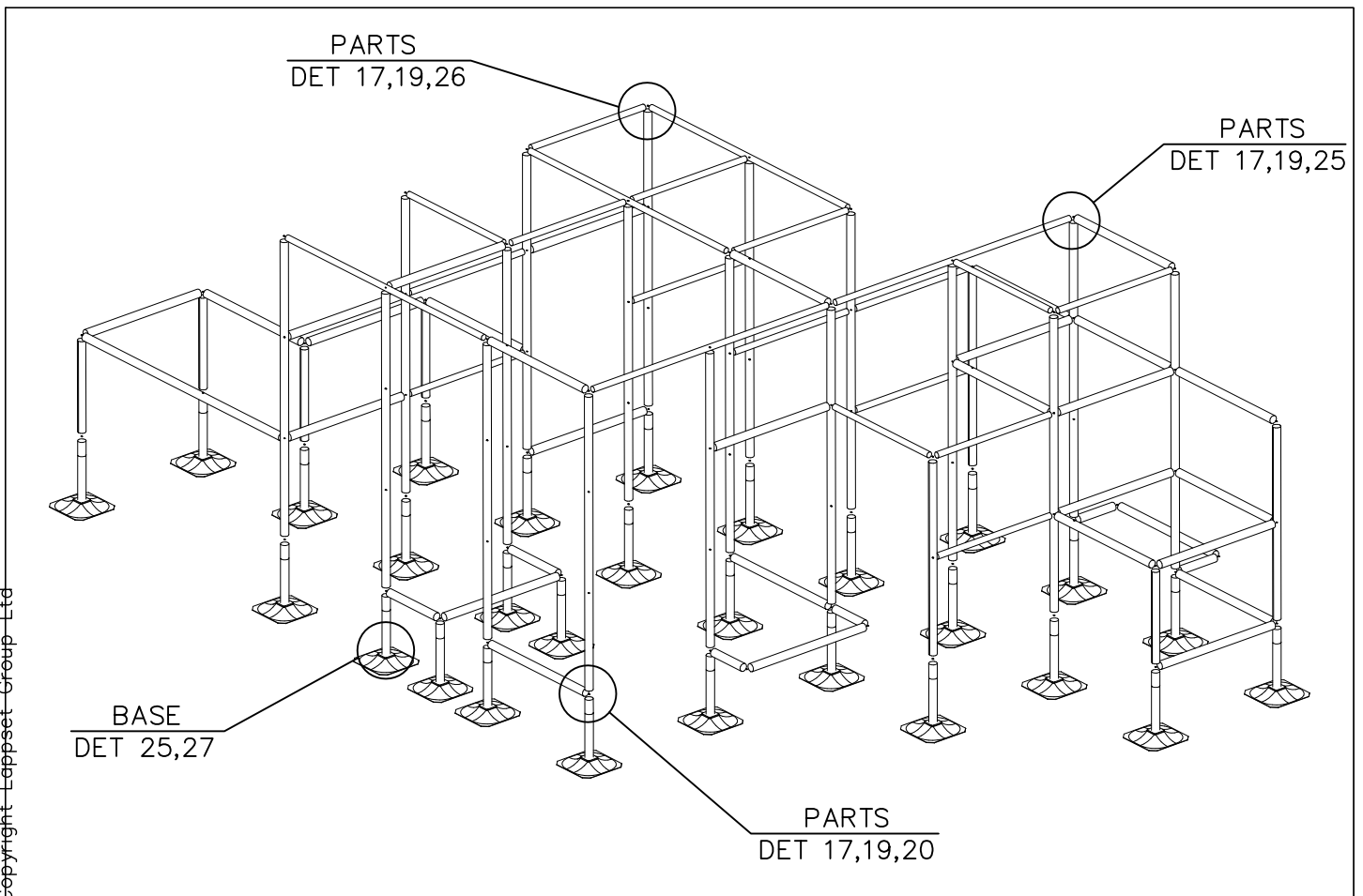
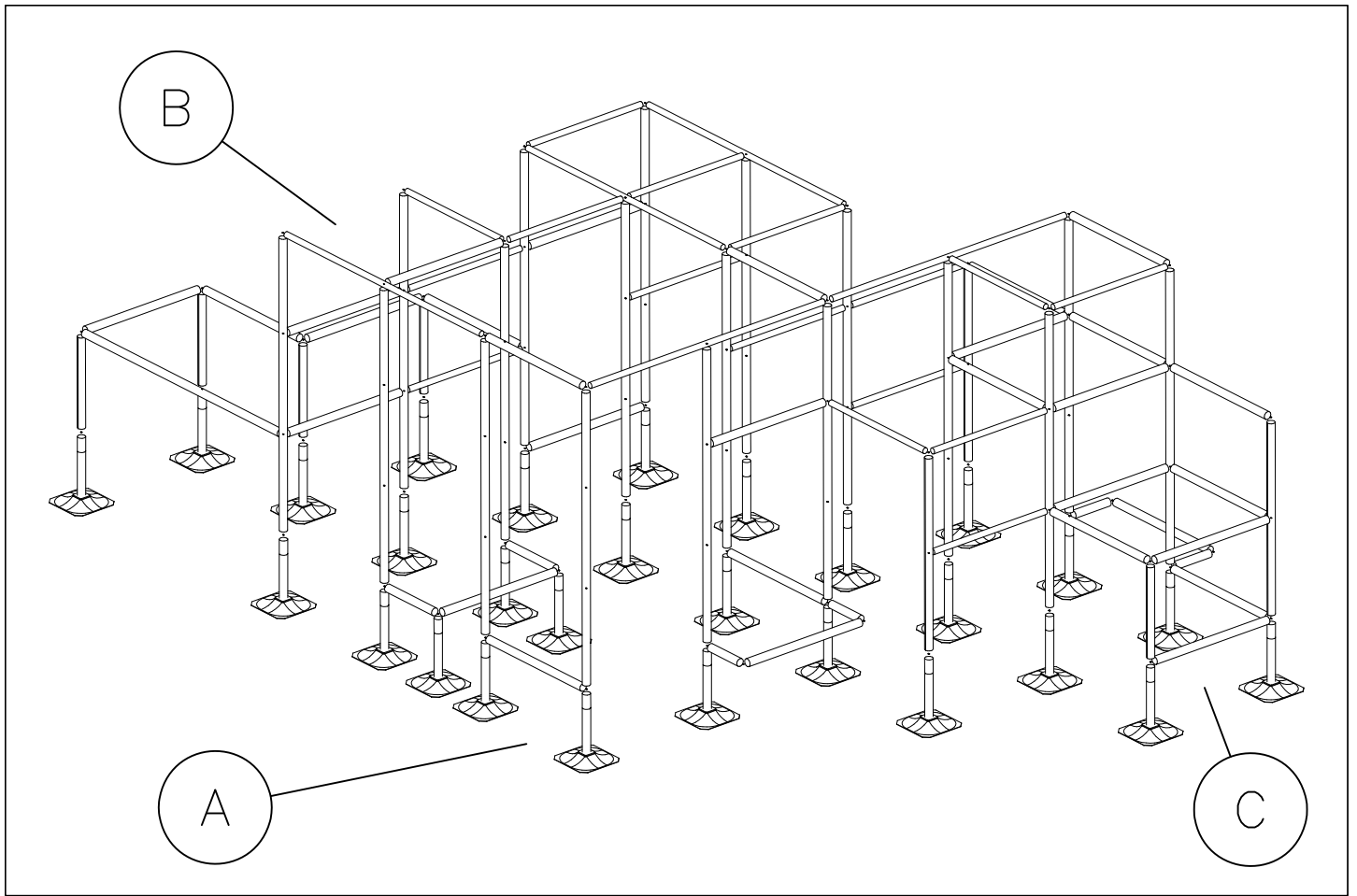
1740 mm
[5'-9" inch]

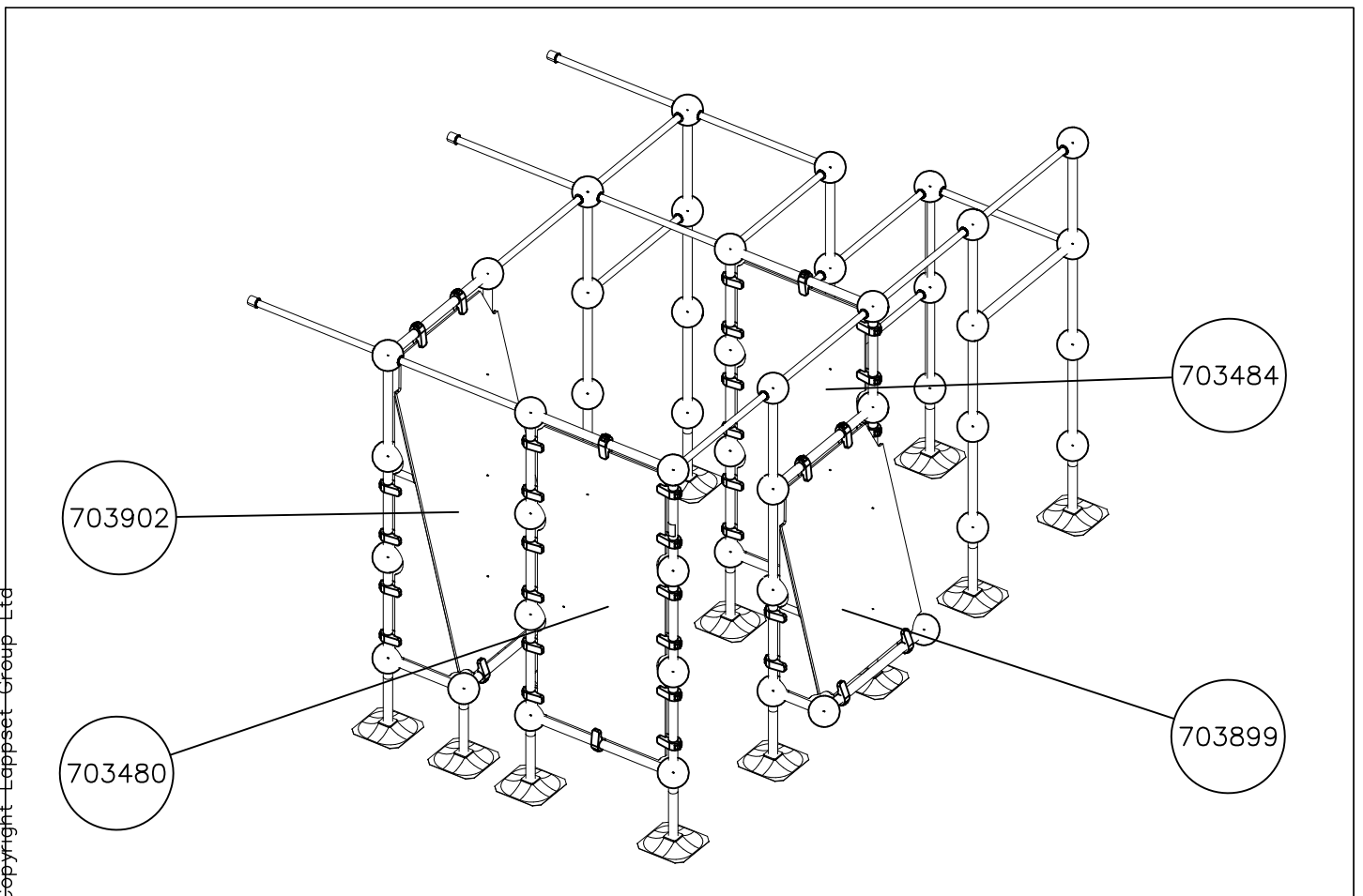
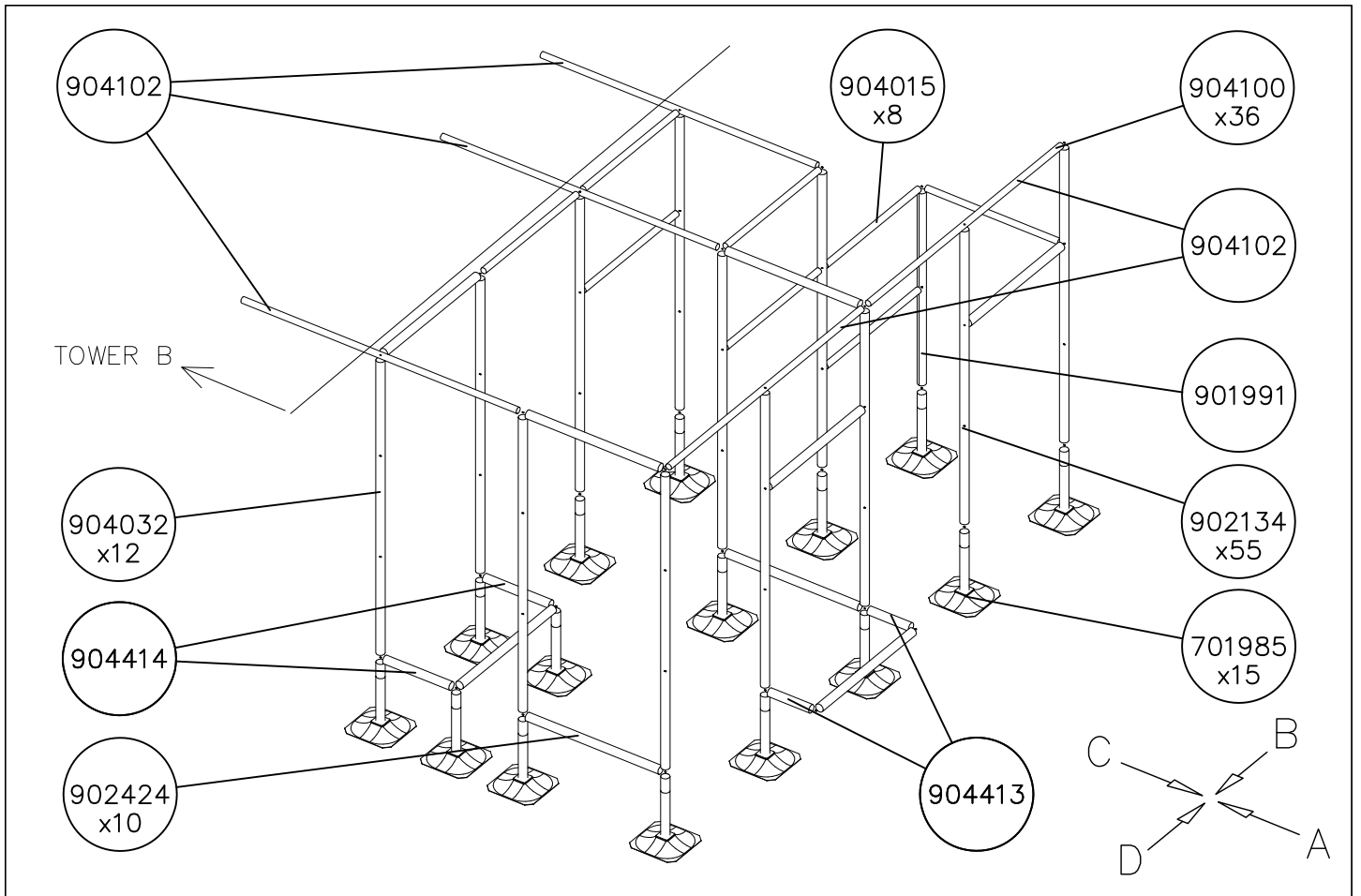
2530 mm
[8'-4" inch]

960 mm
[3'-2" inch]

0 mm
[0" inch]



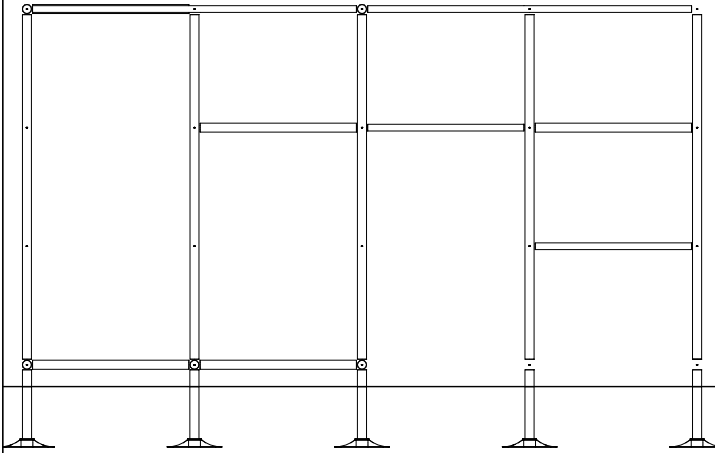




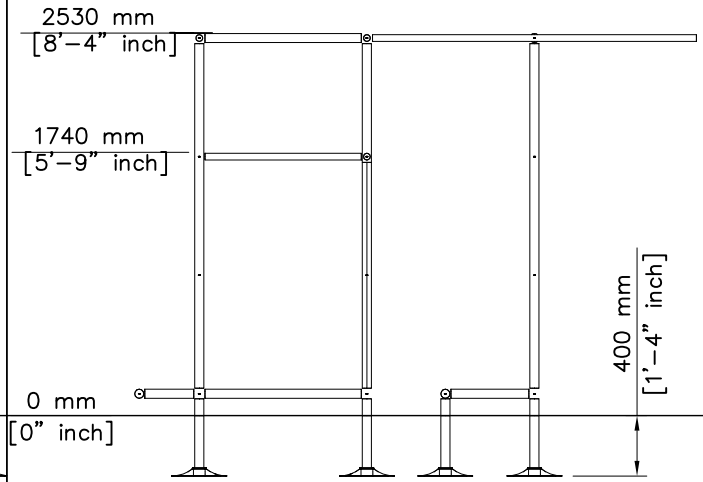
DATE: 23.2.2015

1:50

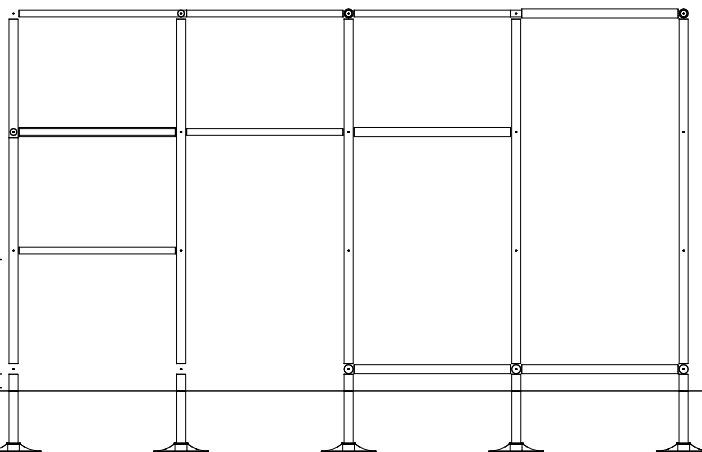
A



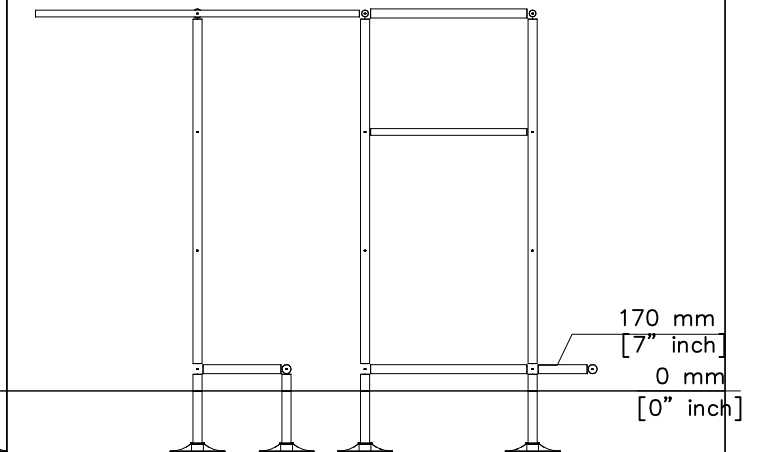
B

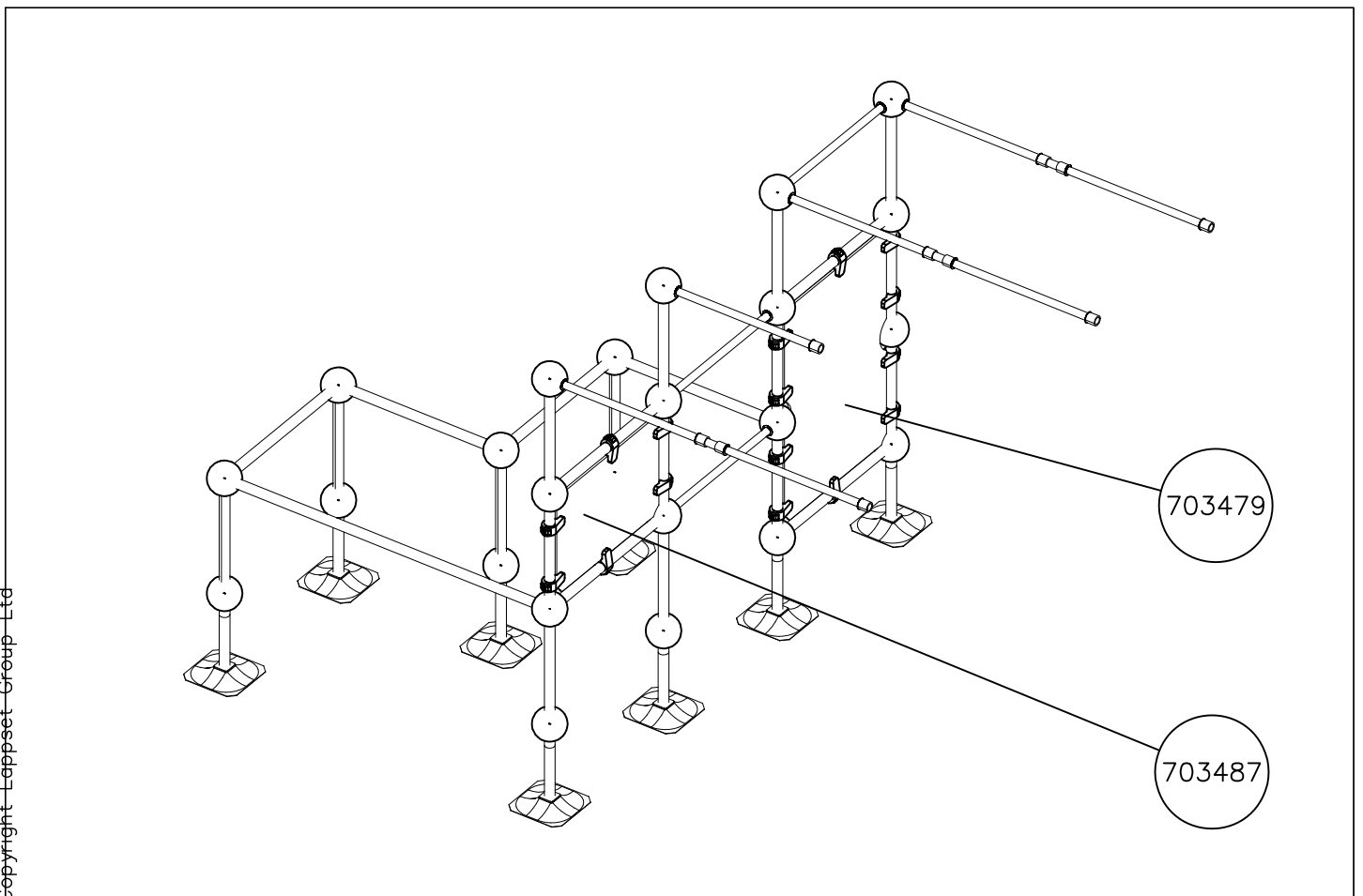
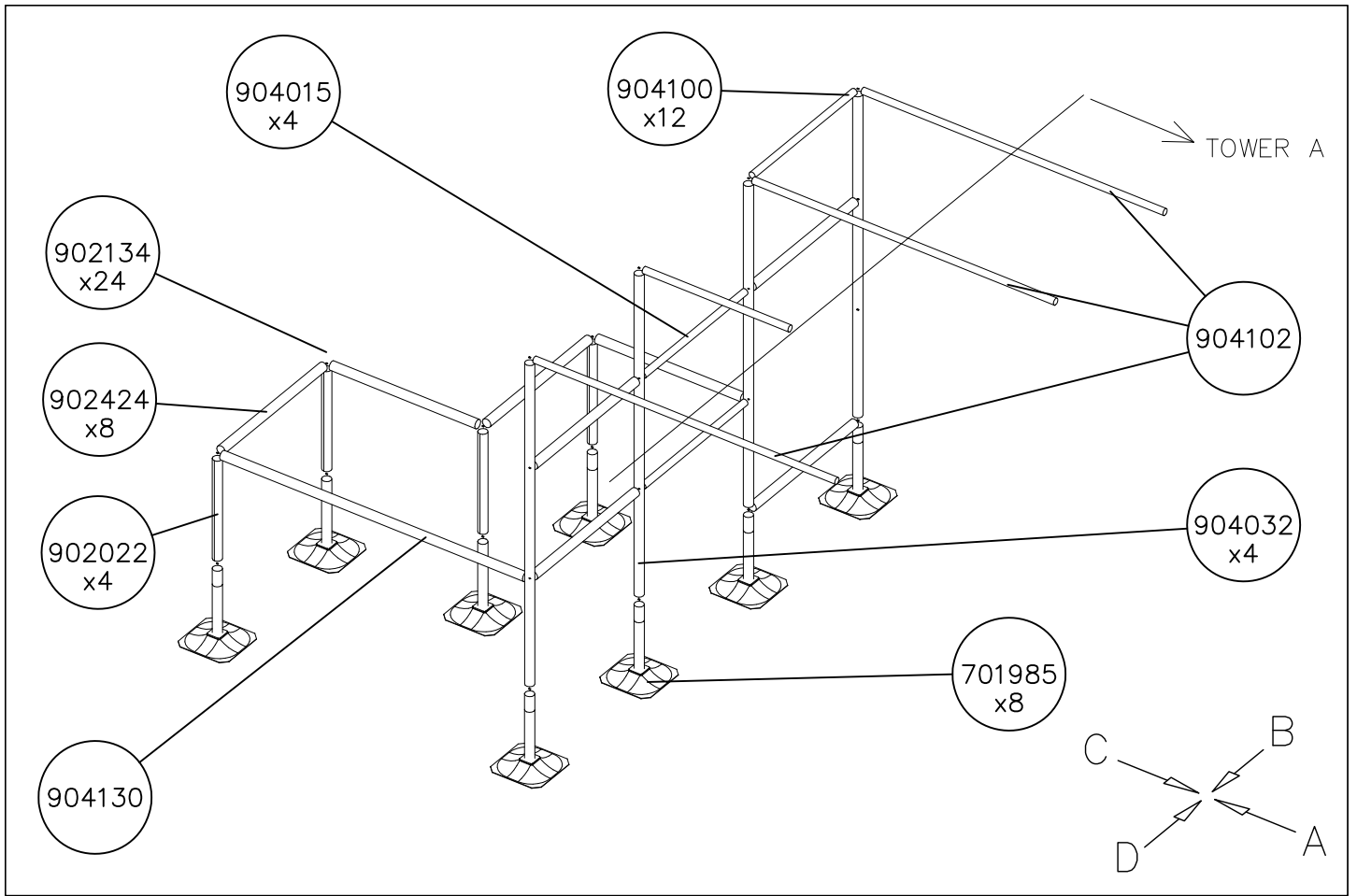


C

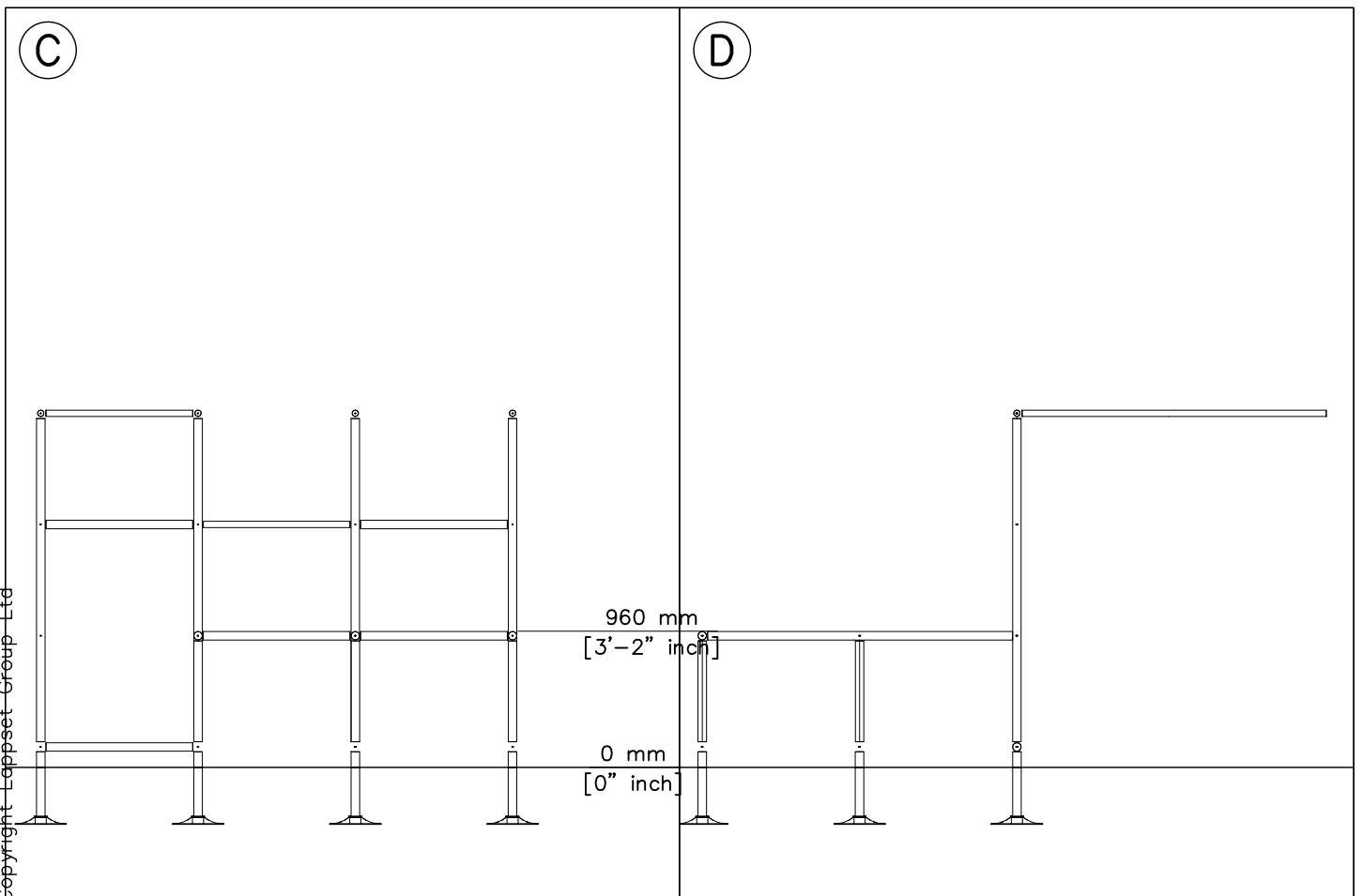
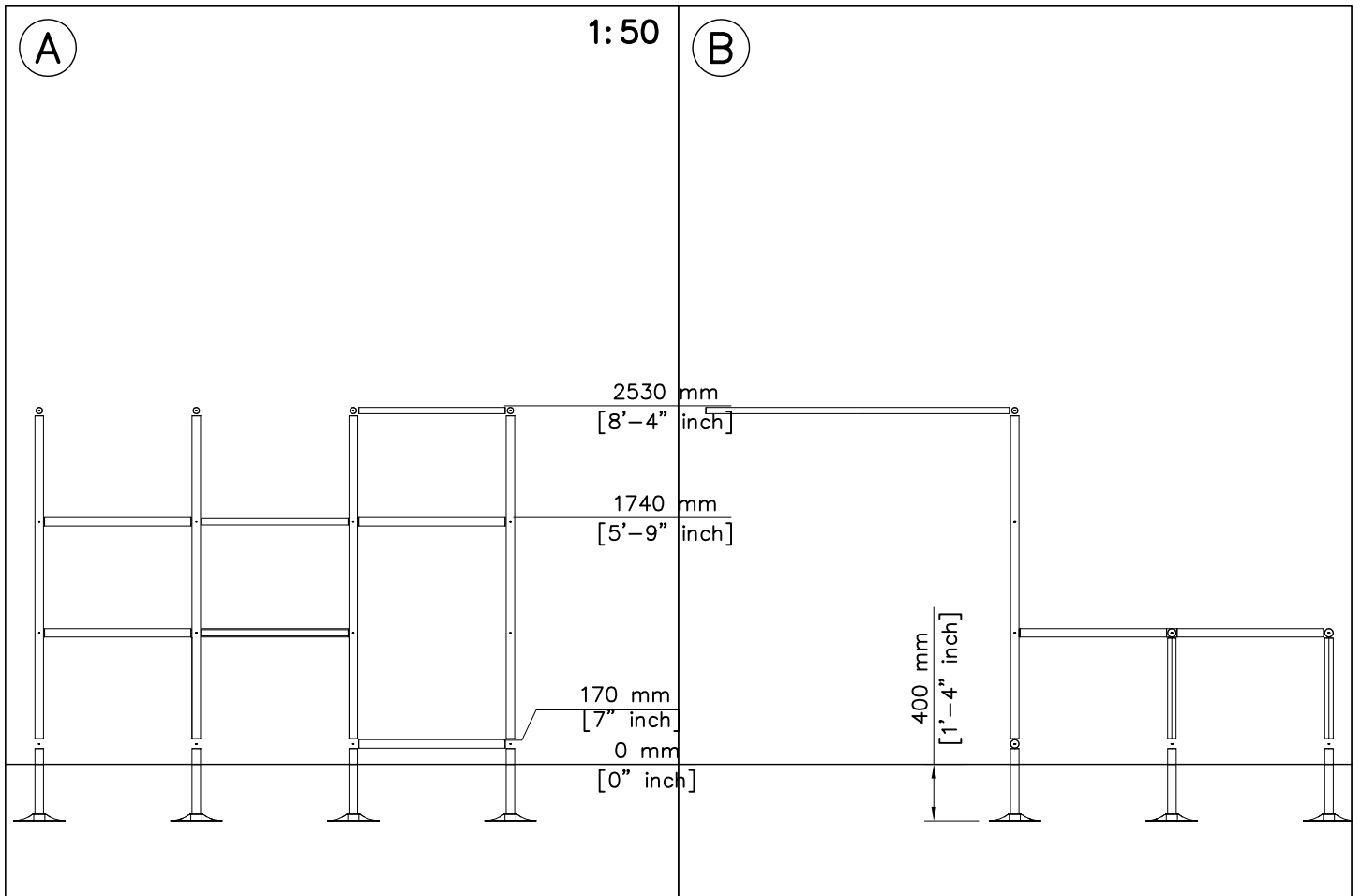


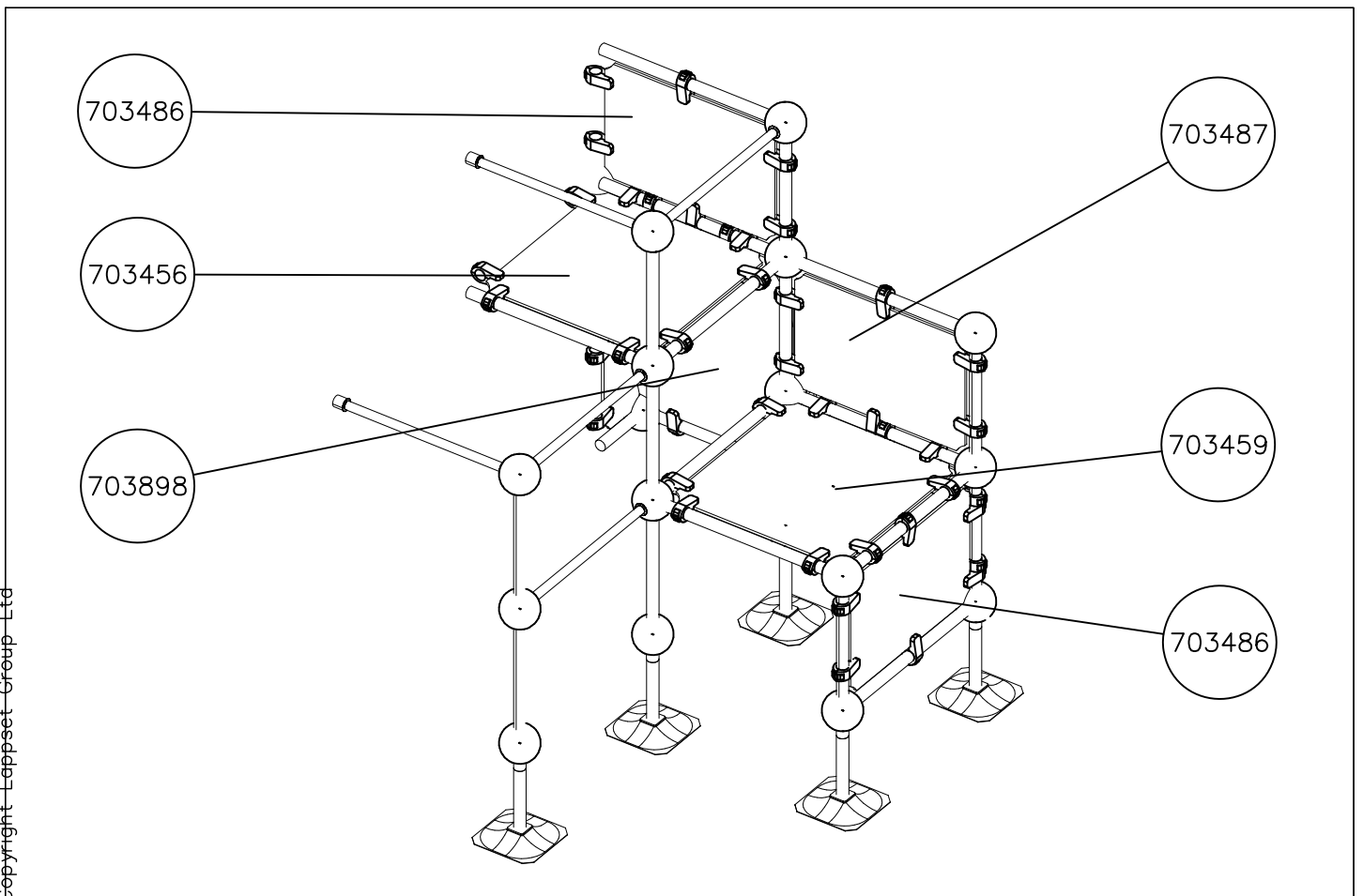
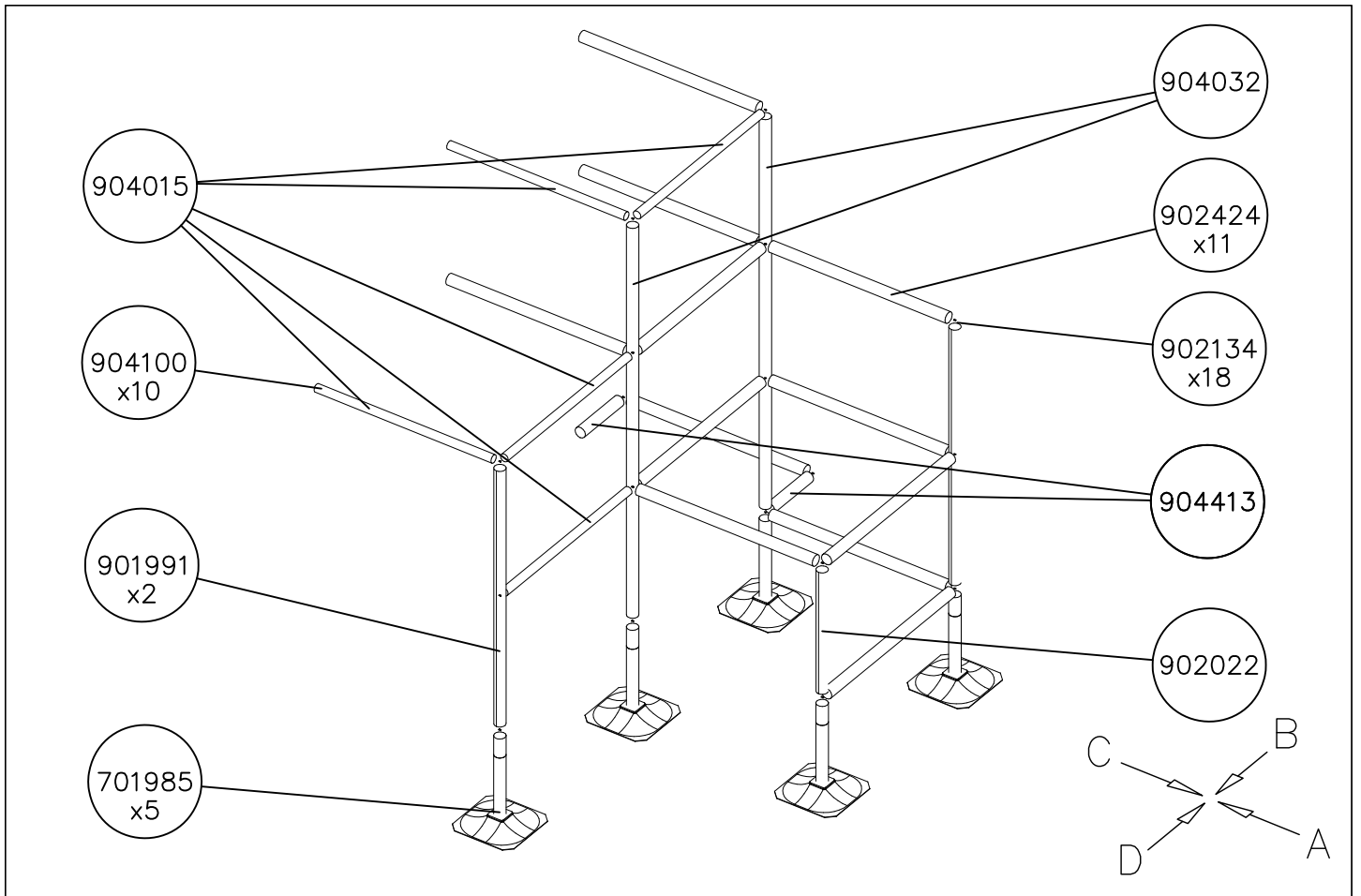
D



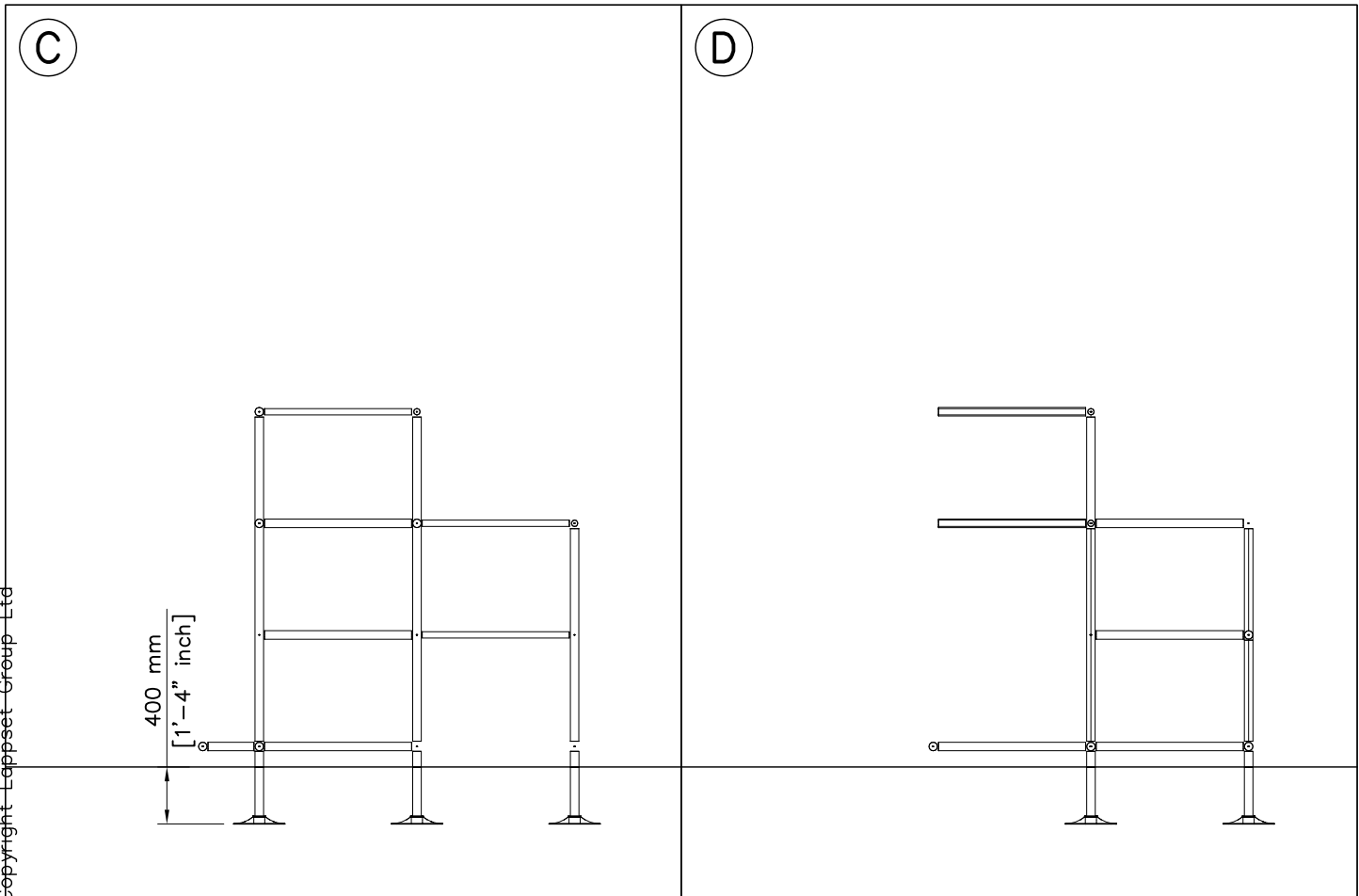
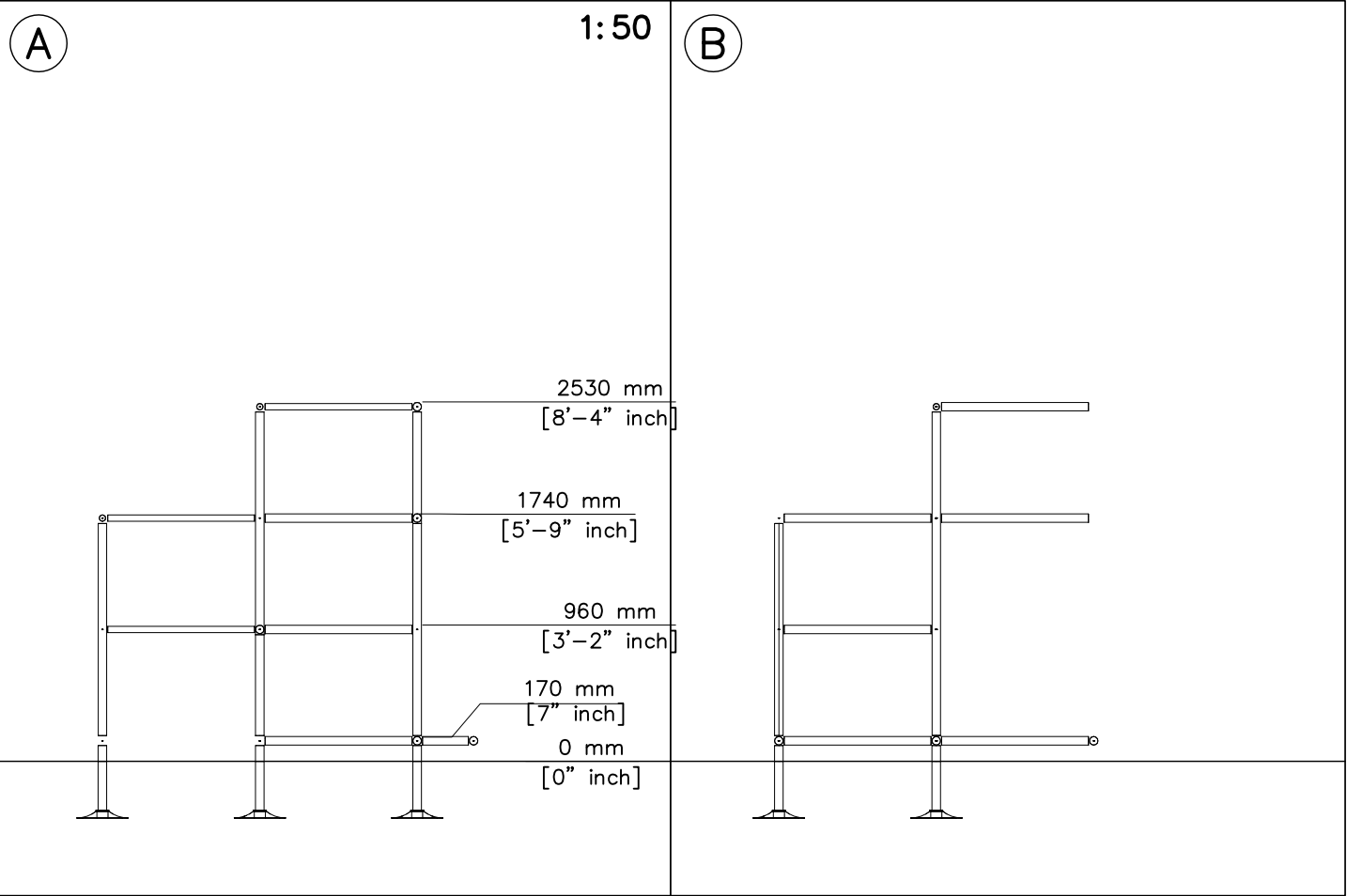


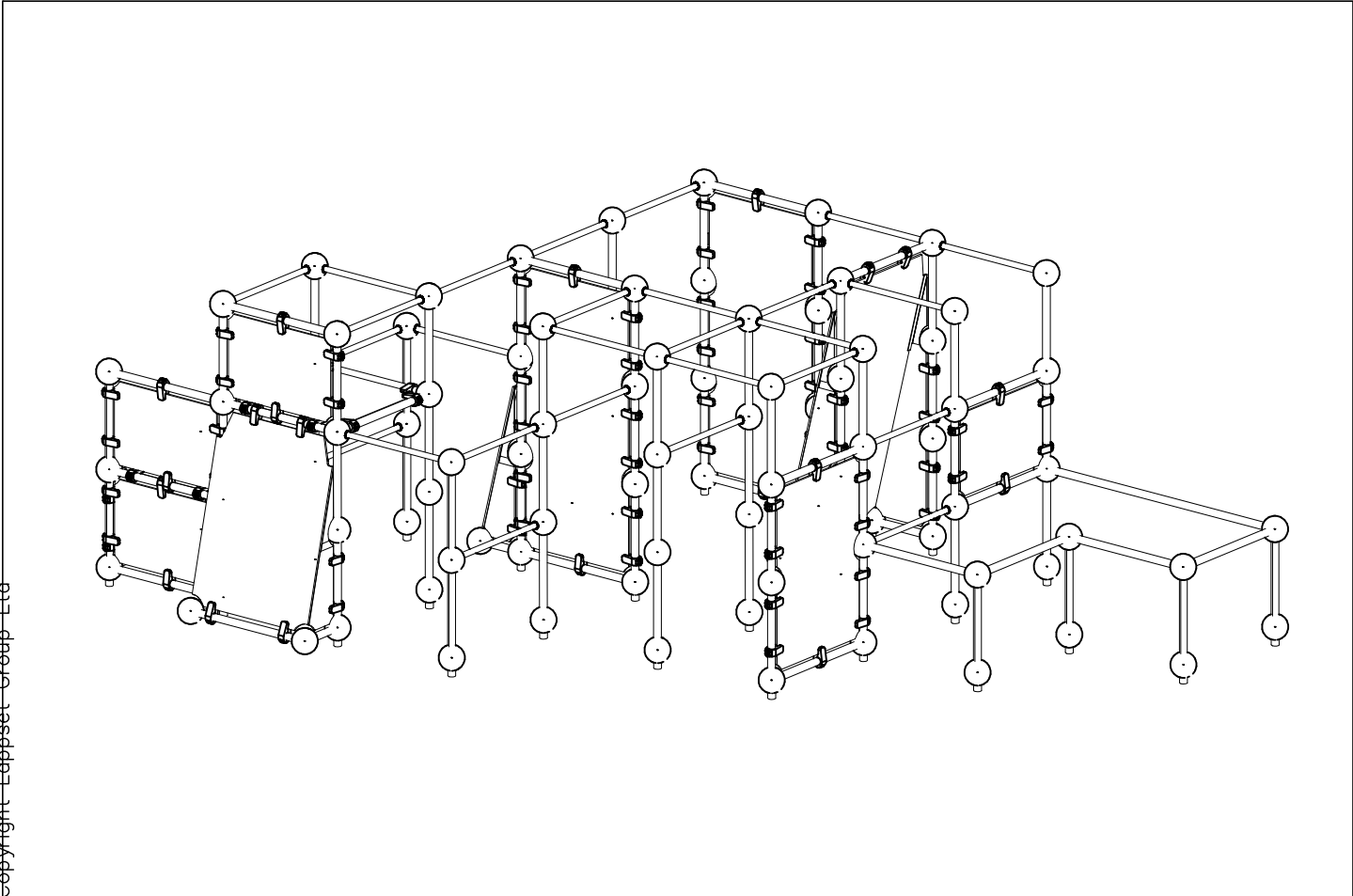
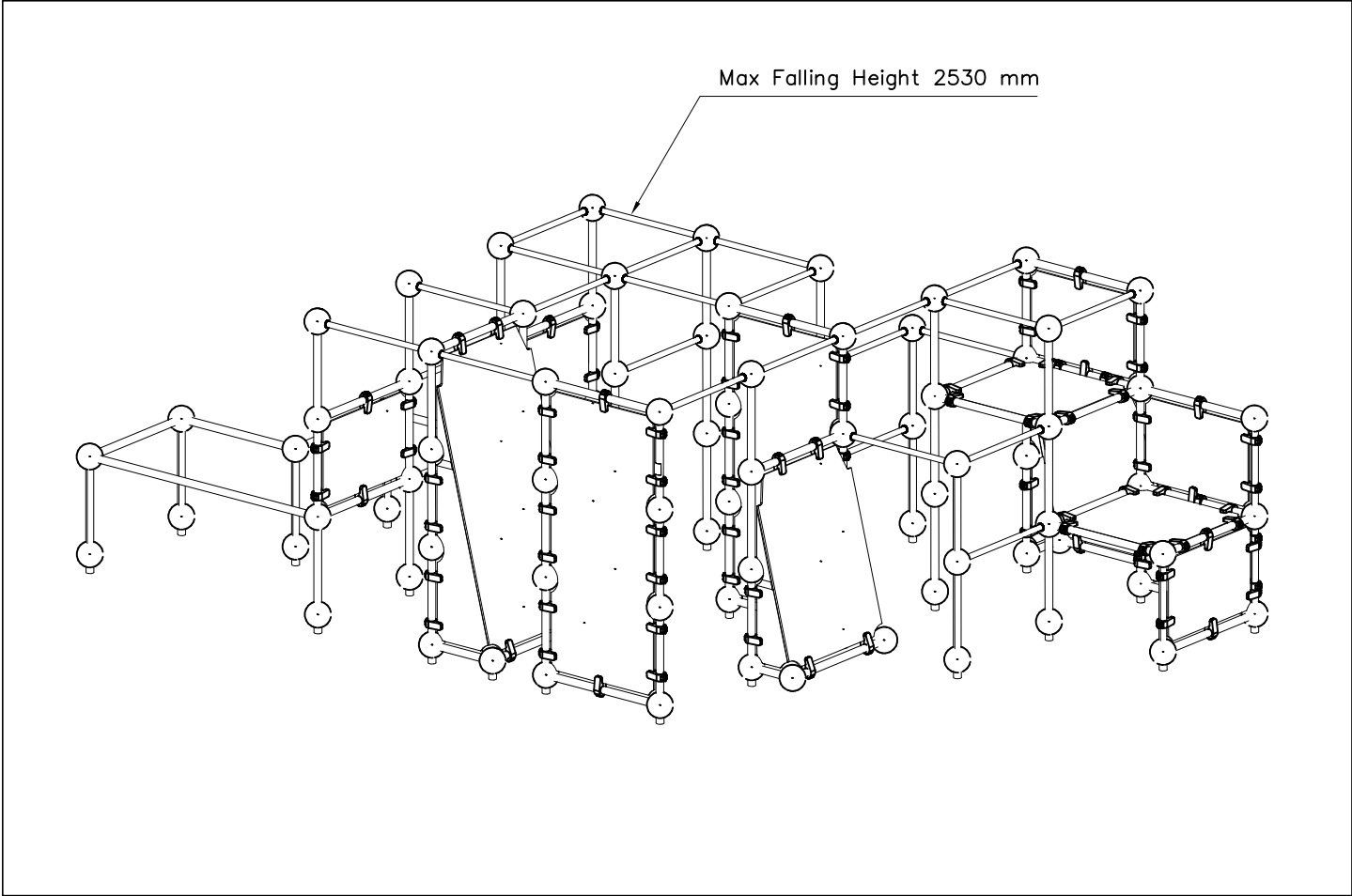
DATE: 23.2.2015



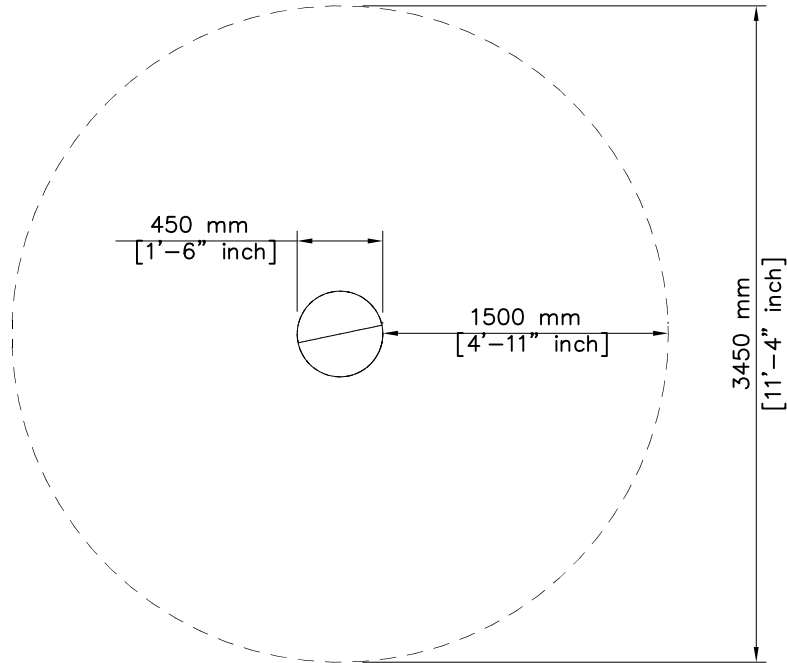
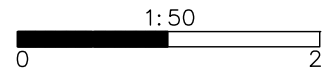


DATE: 23.2.2015

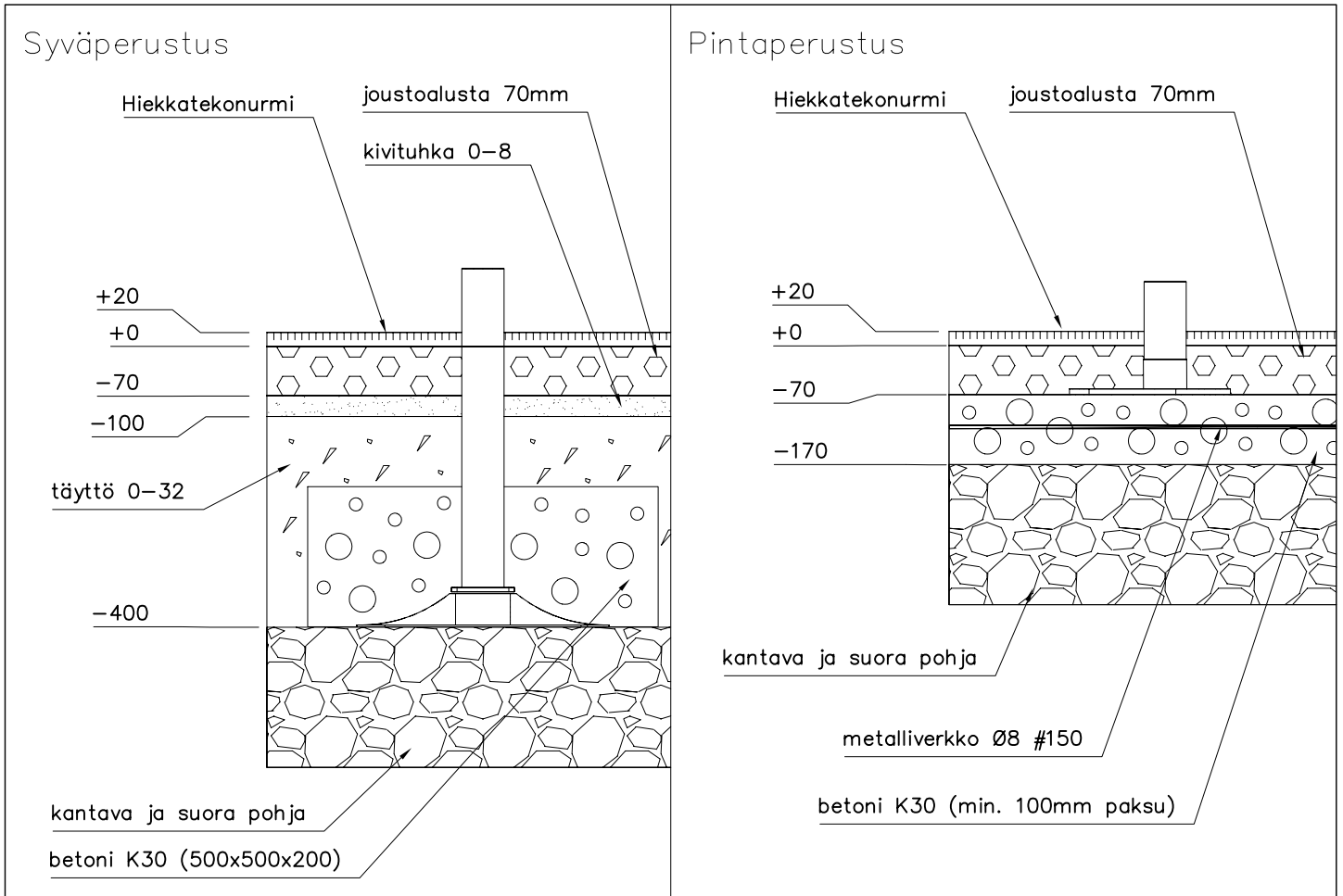




----- Falling Space 9.3 m² (100 sq ft)
Max Falling Height 540 mm (1'-9" in)



DATE: 18.8.2011



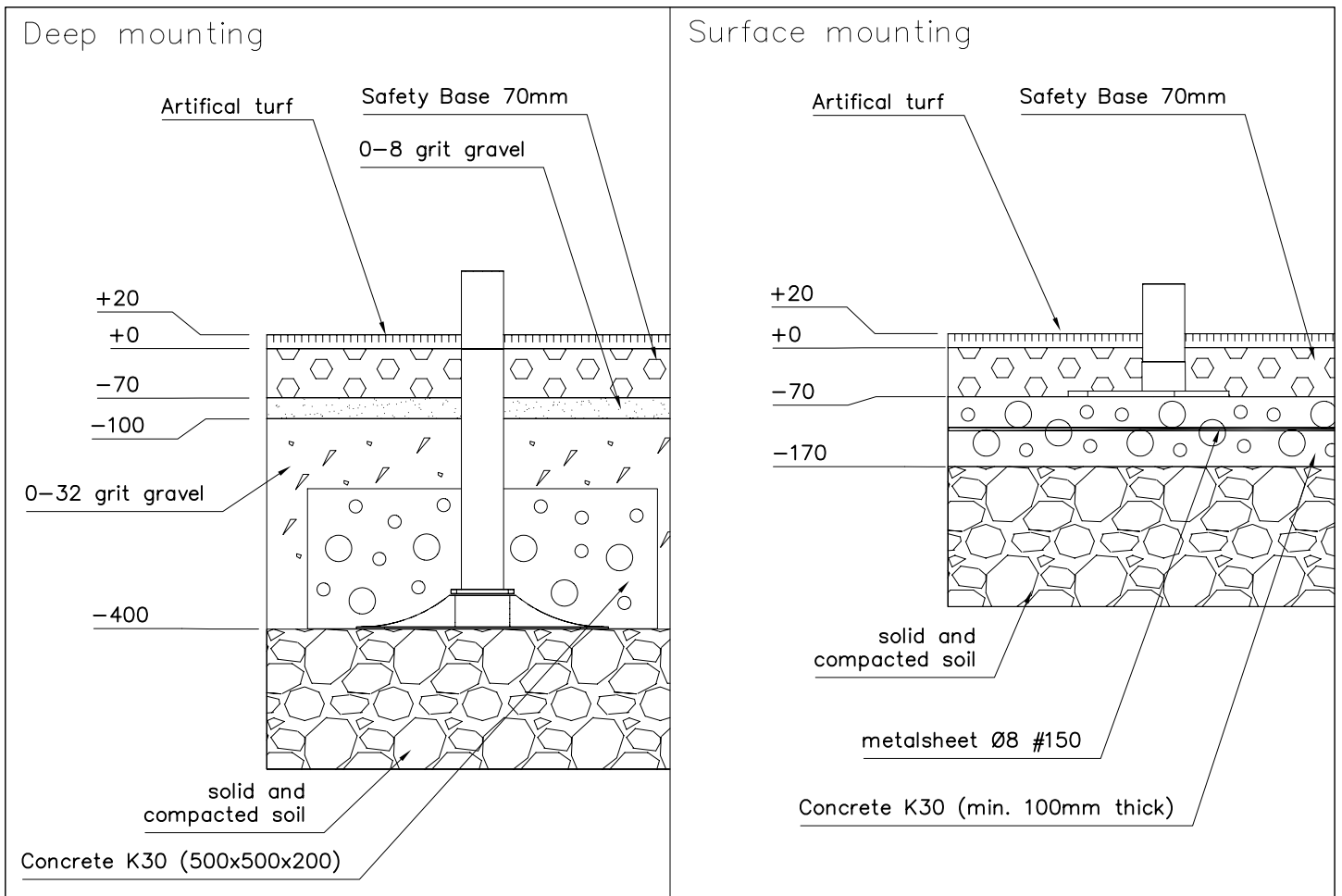
Syväperustus

1. Kaivetaan 400mm syvä kaivanto pinnan korosta. Jotkin välineet tarvitsevat syvämmän kaivannon (katso tuotteiden asennusohjeet).
Huom! Kantava ja suora perustusten pohja.
2. Asennetaan välineet.
3. Valetaan betonit. Jotkin välineet voivat vaatia isomman valun, katso yksittäisten tuotteiden asennusohjeet.
4. Täytetään 0-32 oikeaan korkoon.
5. Tiivistetään täyttö.
6. Täytetään kivituhkalla (0-8) n.30mm kerros jonka jälkeen tasoitetaan ja tiivistetään hyvin.(+/-10mm/4m oikolauta)
7. Tämän jälkeen asennetaan nurmi (katso asennusohje).

Pintaperustus

1. Kaivetaan 170mm syvä kaivanto pinnan korosta.
Huom! Kantava ja suora perustusten pohja.
2. Valetaan betonilaatta (min. 100mm paksu). Koko riippuu kentän koosta (S,M,L).
3. Asennetaan välineet.
4. Asennetaan joustopalat ohjeen mukaisesti (katso asennusohje).
5. Tämän jälkeen asennetaan nurmi (katso asennusohje).

DATE: 18.8.2011



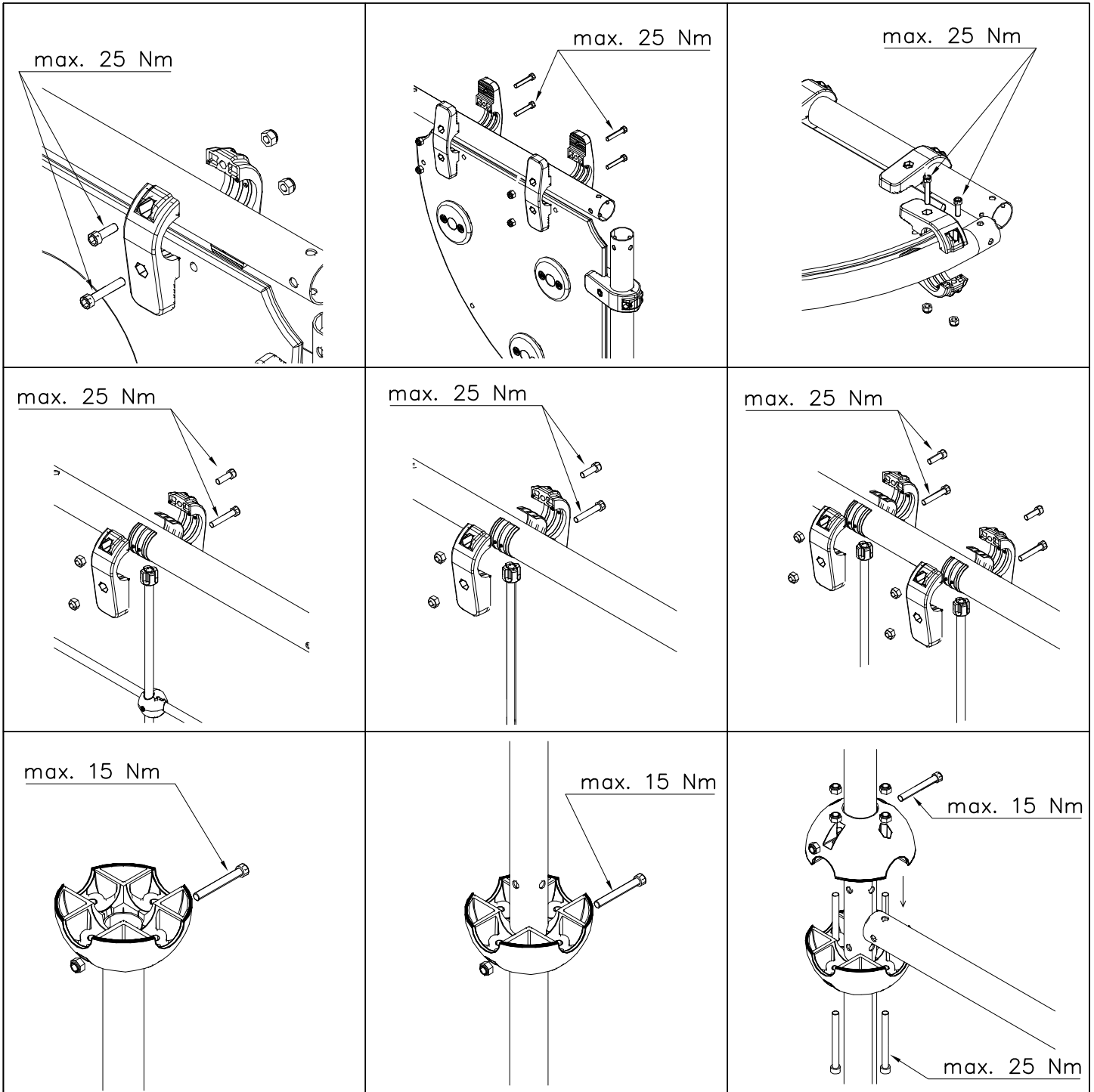
Deep mounting

1. Start by digging 400 mm deep excavation. Some equipment may need more depth, see assembly instructions for individual equipment.
2. Assemble the equipment according to assembly instructions.
3. Make concrete blocks. Some equipment may need bigger block, see assembly instructions.
4. Fill with 0-32 grit to correct level.
5. Compact the layer.
6. Spread 30 mm thick layer using grit 0-8 gravel. Compact and level it thoroughly. (+/-10mm/4m)
7. Assemble the safety base according to assembly instructions.
8. Assemble the turf according to assembly instructions.

NOTE: Also the soil below the starting level (-400) needs to be solid and compact.

Surface mounting

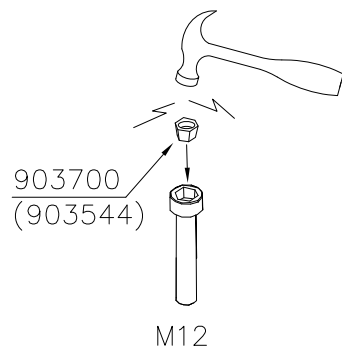
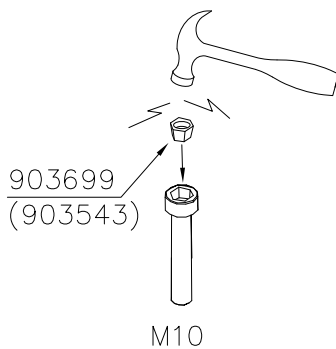
1. Start by digging 170 mm deep excavation.
2. Make concrete plate, see illustration (min. 100mm thick). Size depends on the size of the Parkour field (S,M,L).
3. Assemble the equipment according to assembly instructions.
4. Assemble the safety base according to assembly instructions.
5. Assemble the turf according to assembly instructions.



Security plugs are included only for selected products.

Hox!
Pultit on kiristettävä lopulliseen kireyteen, ennen turvapinnien asennusta.

Note!
Tighten bolts properly, before installing security plugs.



												
<p>$h < 600$</p> <p>Without movement and therefore without Impact Area</p>	<p>Totally hard surfaces.</p> <p>Note. Lappset does <u>not recommend</u> totally hard surfaces at all.</p>	<p>E.g. concrete or asphalt</p> 										
<p>$h < 600$</p> <p>With movement e.g. rocking</p>	<p>Materials with very limited impact attenuating properties.</p>	<p>E.g. wood</p> 										
<p>$h < 1000$</p>	<p>Materials with significant impact attenuating properties.</p>	<p>fine gravel 0–8 mm</p>  <p>grass</p>  <p>unsorted sand</p> 										
<p>$h < 3000$</p>	<p>Loose fill material</p> <p>E.g. sand/gravel 0,25...8 mm D60/D10<3,0 Woodchips 5...30 mm bark 20...80 mm</p>	 <table data-bbox="1024 1691 1332 1792"> <tr> <td>\underline{S}</td> <td>\underline{h}</td> </tr> <tr> <td>30 cm</td> <td>< 2,0 m</td> </tr> <tr> <td>40 cm</td> <td>< 3,0 m</td> </tr> </table>	\underline{S}	\underline{h}	30 cm	< 2,0 m	40 cm	< 3,0 m				
\underline{S}	\underline{h}											
30 cm	< 2,0 m											
40 cm	< 3,0 m											
	<p>Syntethic granulates</p> <table data-bbox="406 1892 758 2060"> <tr> <td>\underline{S}</td> <td>\underline{h}</td> </tr> <tr> <td>40 mm</td> <td>~> 1,2...1,3 m</td> </tr> <tr> <td>50 mm</td> <td>~> 1,5...1,7 m</td> </tr> <tr> <td>60 mm</td> <td>~> 1,8...2,0 m</td> </tr> <tr> <td>70 mm</td> <td>~> 2,1...2,5 m</td> </tr> </table> <p>Note. For accurate values, see manufacturer's instructions.</p>	\underline{S}	\underline{h}	40 mm	~> 1,2...1,3 m	50 mm	~> 1,5...1,7 m	60 mm	~> 1,8...2,0 m	70 mm	~> 2,1...2,5 m	
\underline{S}	\underline{h}											
40 mm	~> 1,2...1,3 m											
50 mm	~> 1,5...1,7 m											
60 mm	~> 1,8...2,0 m											
70 mm	~> 2,1...2,5 m											

REMOVE SAFETY SURFACE/SAND/GRAVEL
TO CHECK FOUNDATION



REMOVE SAFETY SURFACE/SAND/GRAVEL
TO CHECK FOUNDATION



<p>DET 1</p> <p>M8x50</p> <p>702845</p> <p>M8</p>	<p>DET 2</p> <p>M8x60 902625</p> <p>702845</p> <p>M8</p>	<p>DET 3</p>
<p>DET 4</p> <p>CUT EXTRA CHAIN</p>	<p>DET 5</p> <p>90Nm</p> <p>M12x110</p> <p>Ø24/13</p> <p>901958</p> <p>M8x35</p> <p>Ø24/13</p> <p>M12 NYLOC</p> <p>M8</p> <p>CUT EXTRA CHAIN</p>	<p>DET 6</p> <p>M12x120</p> <p>Ø24/12</p> <p>904801</p> <p>907621</p> <p>901958</p> <p>M8x35</p> <p>Ø24/13</p> <p>M12 NYLOC</p> <p>M8</p> <p>CUT EXTRA CHAIN</p>
<p>DET 7</p> <p>M12x40</p> <p>M12</p> <p>902012</p>	<p>DET 8</p> <p>NOTE: Aluminum thread fasten carefully.</p> <p>903388</p> <p>M8x30</p>	<p>DET 9</p> <p>NOTE: Aluminum thread fasten carefully.</p> <p>702850</p> <p>M8x30</p> <p>903388</p>
<p>DET 10</p> <p>902623</p> <p>M8</p> <p>Ø16/8.4</p> <p>Ø16/8.4</p> <p>M8x30</p>	<p>DET 11</p> <p>M8x30</p> <p>Ø16/8.4</p> <p>M8</p>	<p>DET 12</p> <p>902624</p>

<p>DET 13</p> <p>M10x50</p> <p>Ø20/10.5</p> <p>M10</p>	<p>DET 14</p> <p>M10x40</p> <p>Ø20/10.5</p> <p>M10</p>	<p>DET 15</p> <p>M10x40 (901487)</p> <p>Ø20/10.5x2 (901302)</p> <p>M10 (909637)</p>
<p>DET 16</p> <p>903572</p> <p>903567</p> <p>M8x60</p> <p>GLUE</p>	<p>DET 17</p> <p>M12x90 901994</p> <p>M12</p>	<p>DET 18</p> <p>M12x120</p> <p>903574</p> <p>M12</p>
<p>DET 19</p> <p>M12x90</p> <p>902157</p> <p>M12</p>	<p>DET 20</p> <p>M12</p> <p>901994</p> <p>M12x120</p>	<p>DET 21</p> <p>M8x60</p> <p>M8</p> <p>905067</p>
<p>DET 22</p> <p>703062</p> <p>M8x60</p> <p>GLUE</p>	<p>DET 23</p>	<p>DET 24</p> <p>901958</p> <p>903577</p>

DET 25-26

M12x120

904100

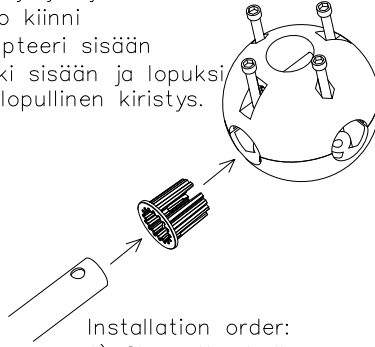
904015

904102

Kun putken pää osuu adapterin kynsiin, adapteri tiukentuu paikoilleen.

Asennusjärjestys:

- 1) Pallo kiinni
- 2) Adapteri sisään
- 3) putki sisään ja lopuksi pallon lopullinen kiristys.



Installation order:

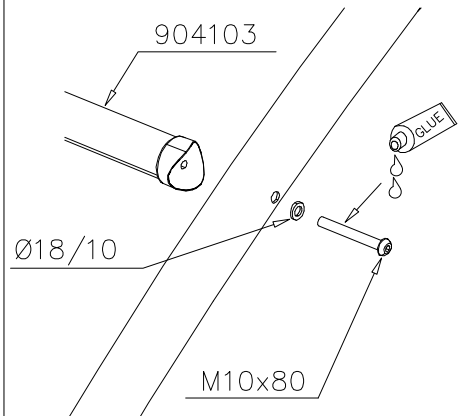
- 1) Close the ball
- 2) Insert adapter
- 3) Insert tube and tighten screws.

DET 27

904103

Ø18/10

M10x80



DET 28

906621

M12x35
(909347)

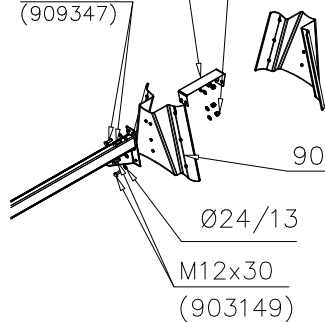
M12

906620

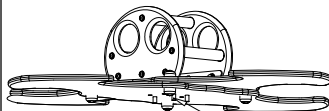
Ø24/13

M12x30
(903149)

M12 → 60 Nm



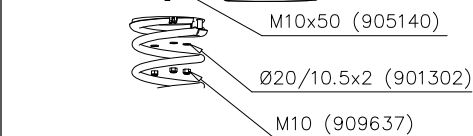
DET 29



M10x50 (905140)

Ø20/10.5x2 (901302)

M10 (909637)



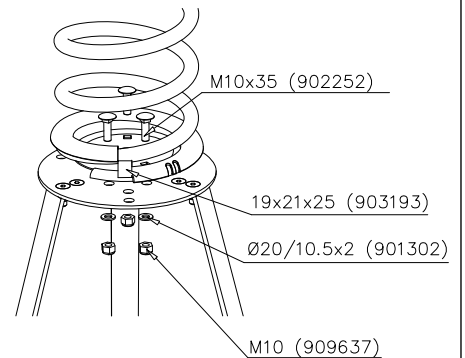
DET 30

M10x35 (902252)

19x21x25 (903193)

Ø20/10.5x2 (901302)

M10 (909637)



DET 31

M12 → 60 Nm

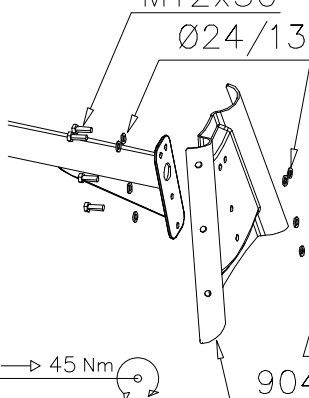
M12x30

Ø24/13

M10 → 45 Nm

M12

904422



DET 32

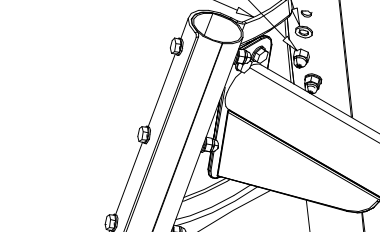
M12 → 60 Nm

M12x100

Ø24/13

M12
904422

904422



DET 33

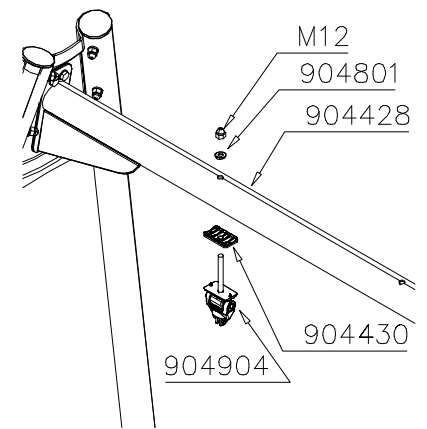
M12

904801

904428

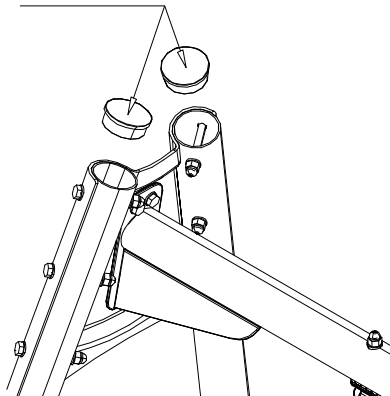
904904

904430

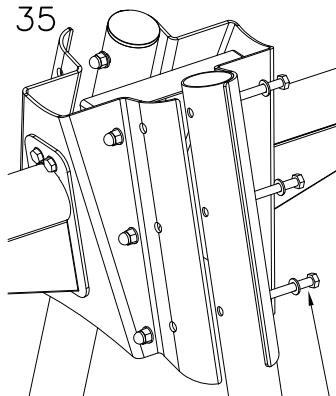


DET 34

904800

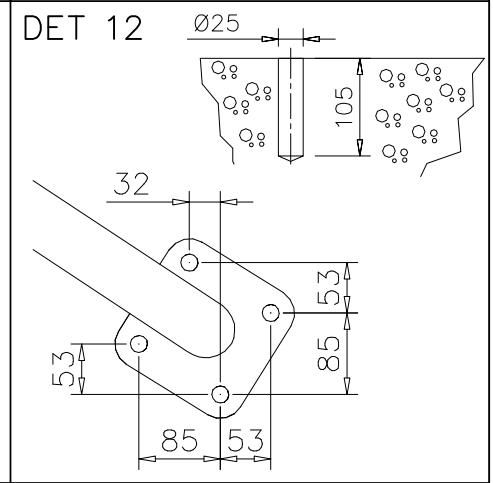
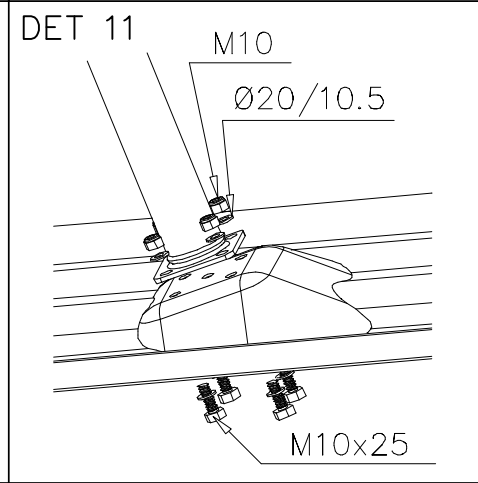
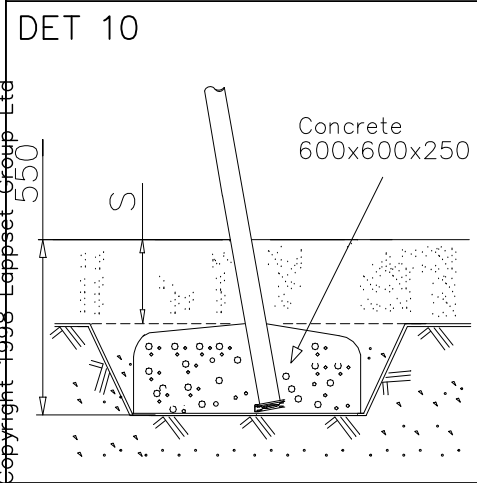
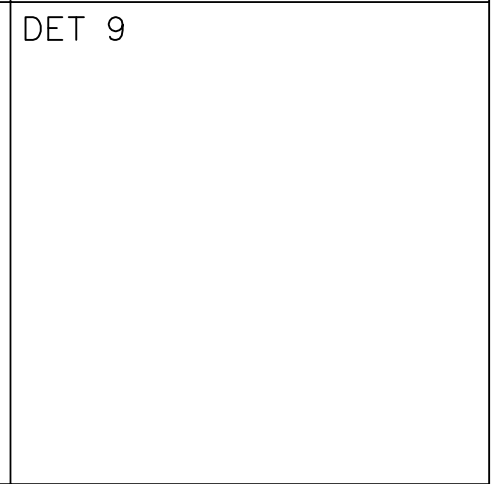
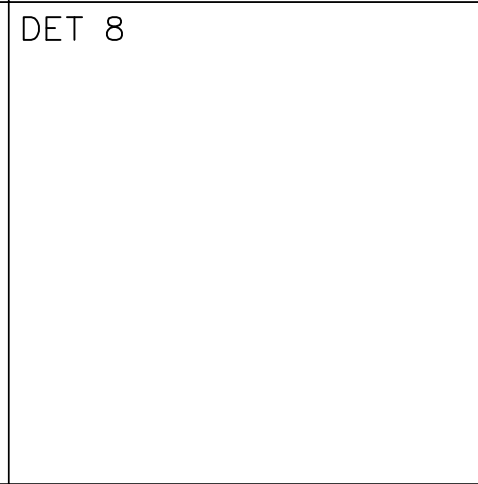
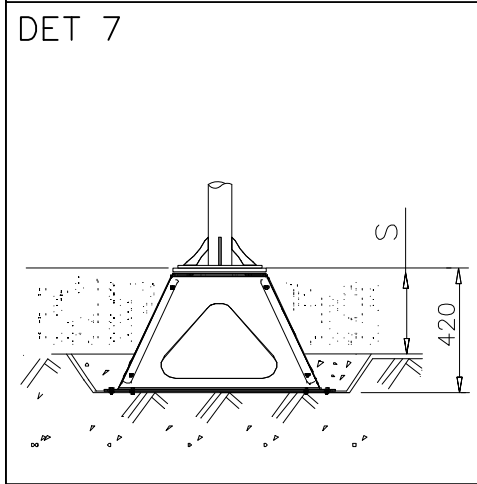
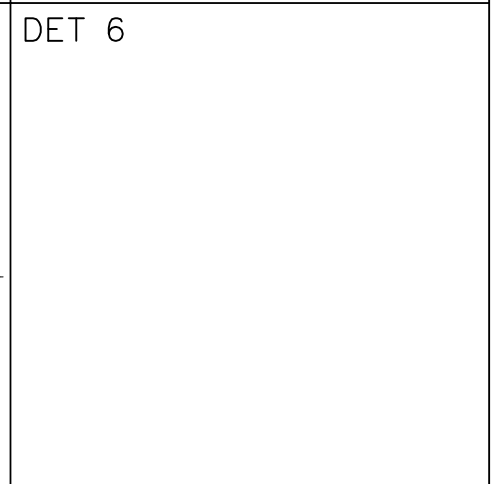
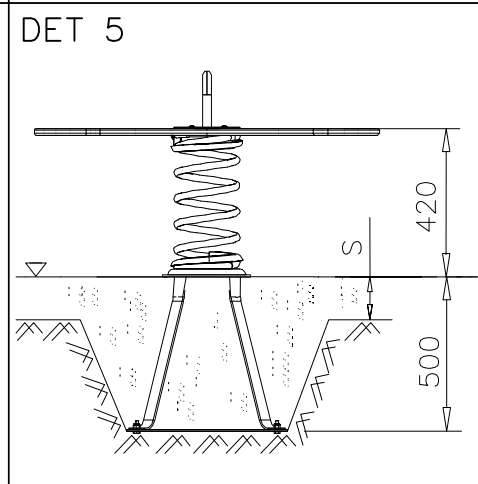
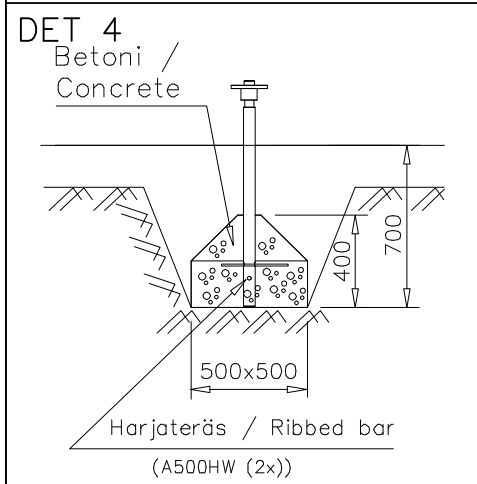
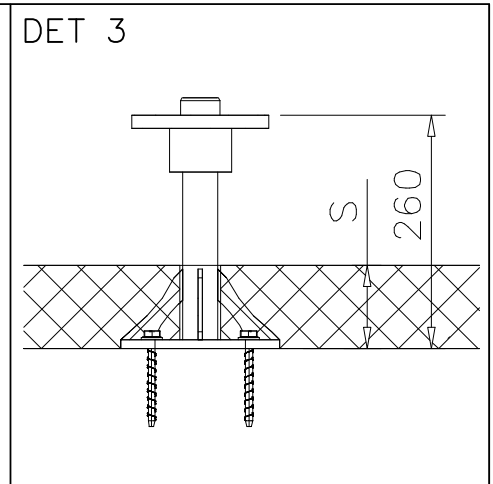
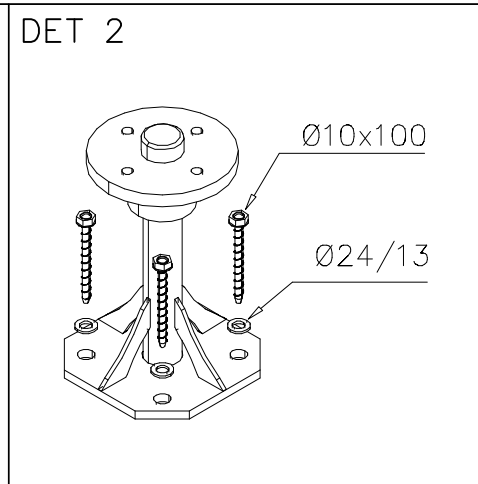
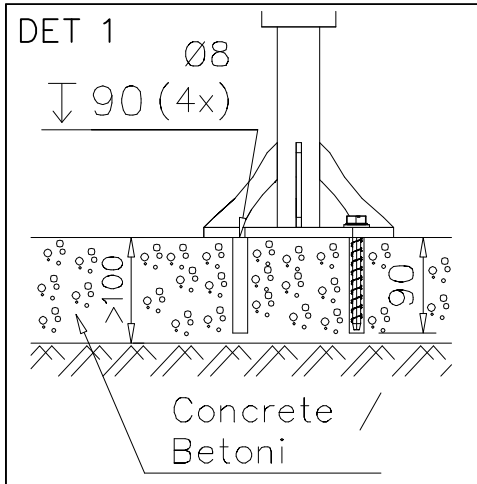


DET 35

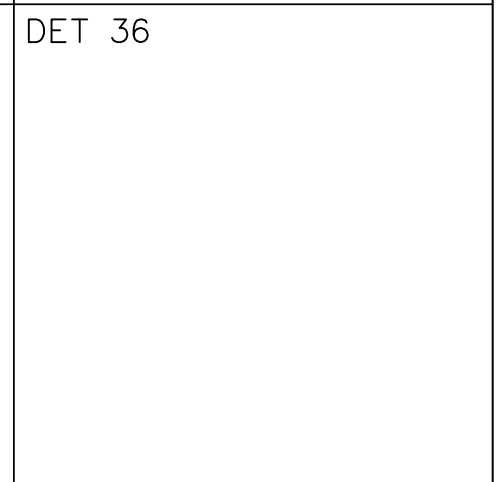
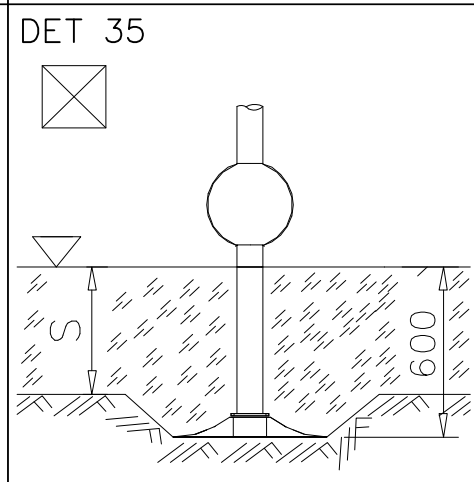
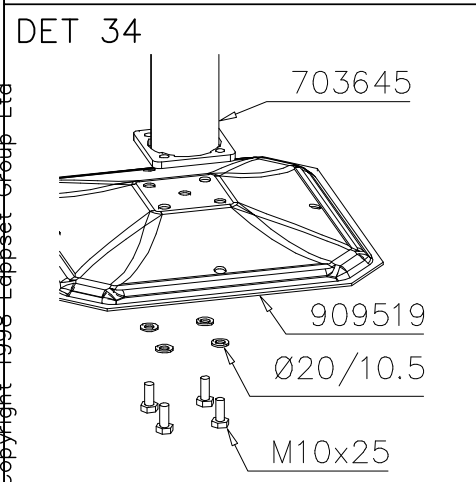
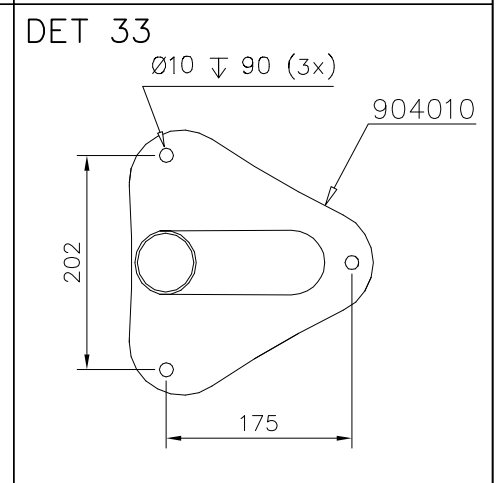
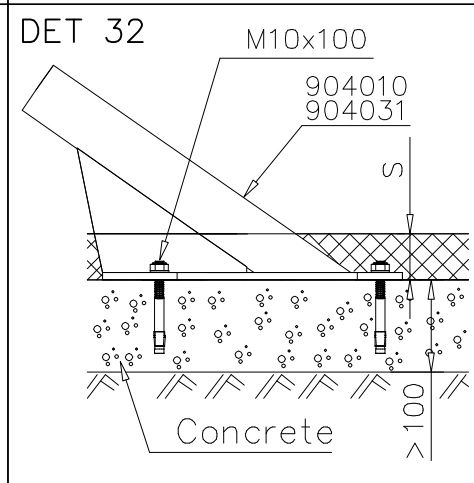
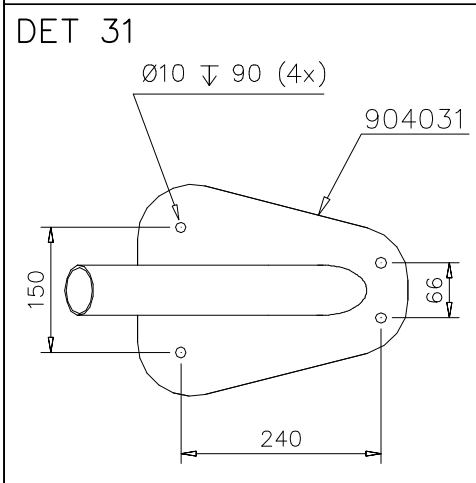
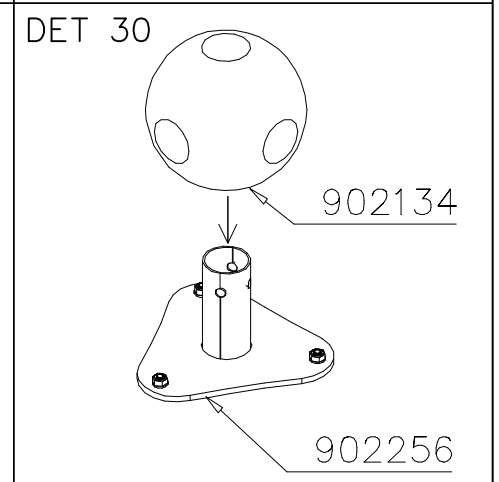
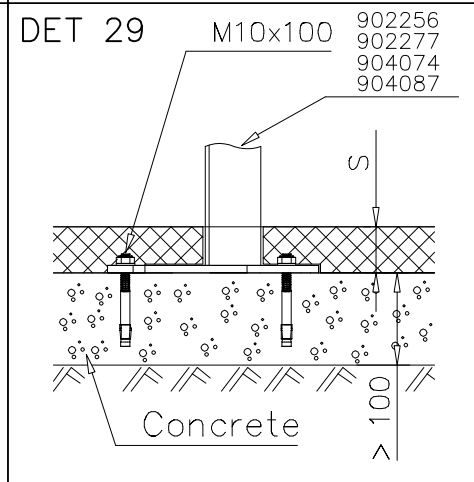
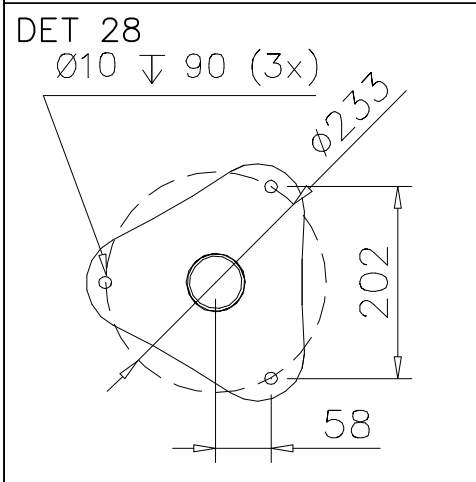
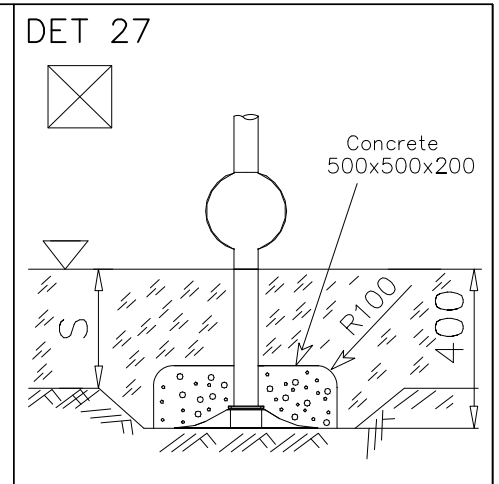
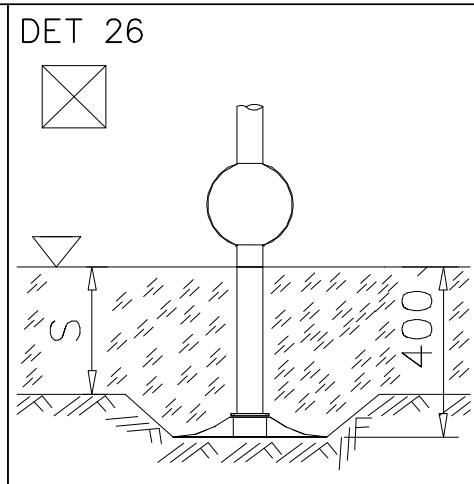
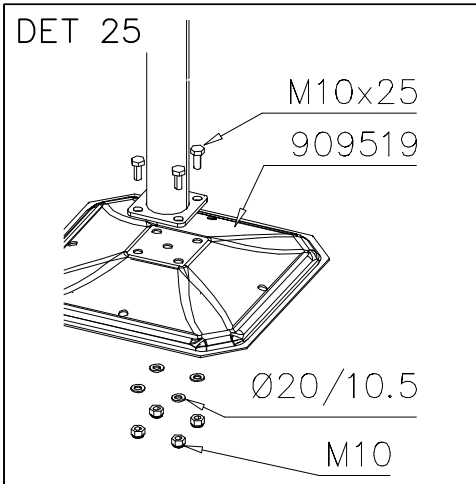


M12x110

DET 36



<p>DET 13</p> <p>140 Nm</p> <p>M16x110 Ø30/17x3</p>	<p>DET 14</p>	<p>DET 15</p>
<p>DET 16</p> <p>M12x60 Ø24/13 M12</p>	<p>DET 17</p> <p>M12x35 Ø24/13 M12</p>	<p>DET 18</p> <p>Concrete 500x500x200</p> <p>600</p> <p>Harjateräs / Ribbed bar (A500HW (2x))</p>
<p>DET 19</p> <p>ATT! Drilling can be done via hole in rotating flange.</p> <p>Ø8 80 (4x)</p> <p>Concrete / Betoni</p> <p>>100</p>	<p>DET 20</p> <p>Ø10x100 Ø24/13</p>	<p>DET 21</p> <p>110</p> <p>S</p>
<p>DET 22</p> <p>M10 Ø20/10.5 M10x40</p>	<p>DET 23</p> <p>Ø10 90 (4x)</p> <p>>100</p> <p>S</p> <p>Betoni / Concrete Safety surface</p>	<p>DET 24</p> <p>M10 M10x100</p>



PRODUCT SPECIFIC INSTALLATION FOR GIBBONSWING (220513 AND 220513) MID-CONNECTORS

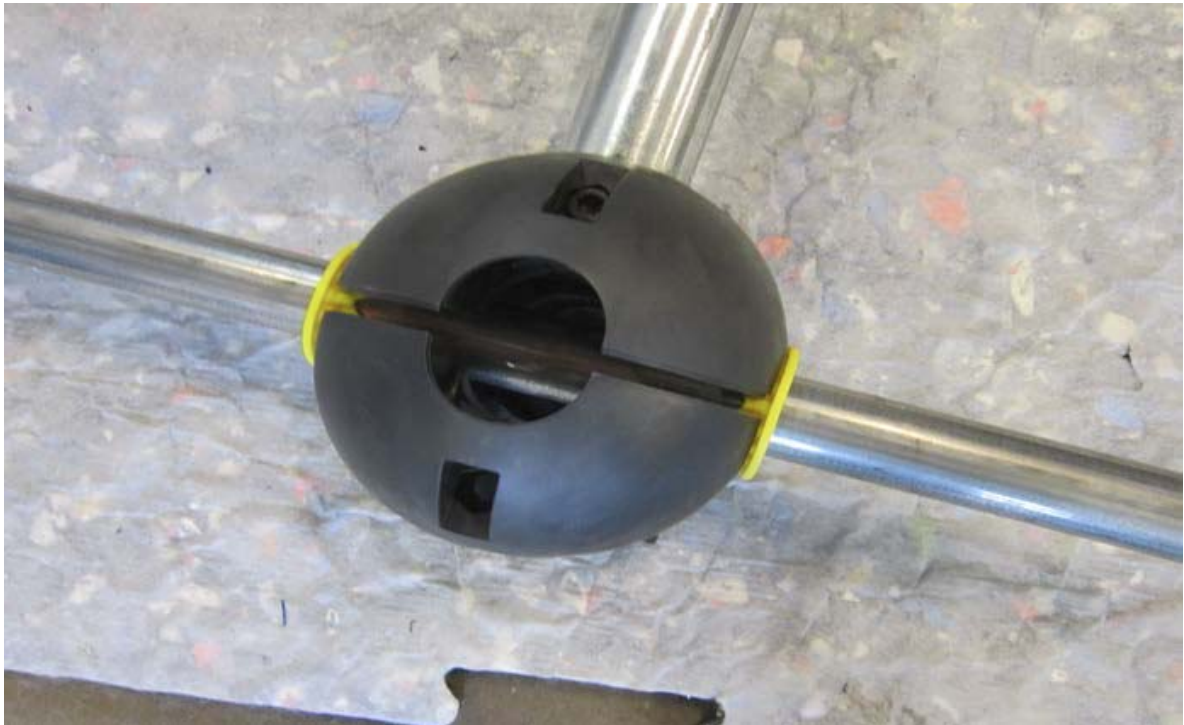
1. Slide the bushings to tube as shown in picture below



2. Lay the tube with bushings on bottom half of spherical connector. Minimize the gap between bushing sleeve and spherical connector.



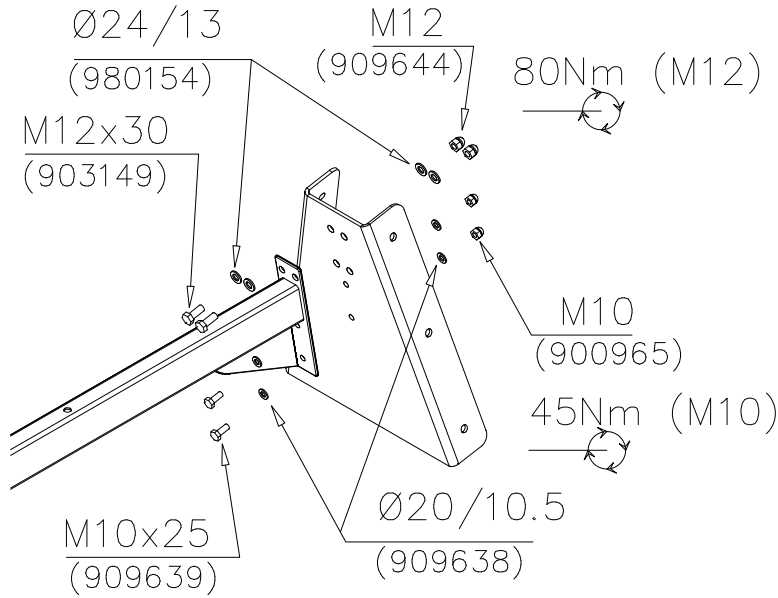
3. Lay the top half on the bottom half and tighten both M10 bolts in turns. The bushings may slide out 1...2mm but not more.

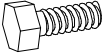


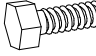


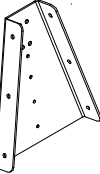


4. The third tube (middle arch) will be installed on another of the “closed holes” i.e. the holes which cannot be splitted. This installation can take place even after the halves are fully tightened.

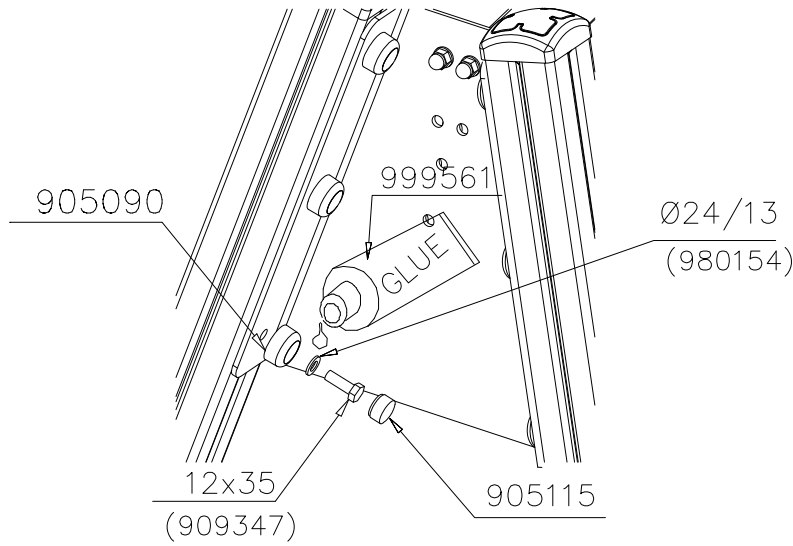


DET A



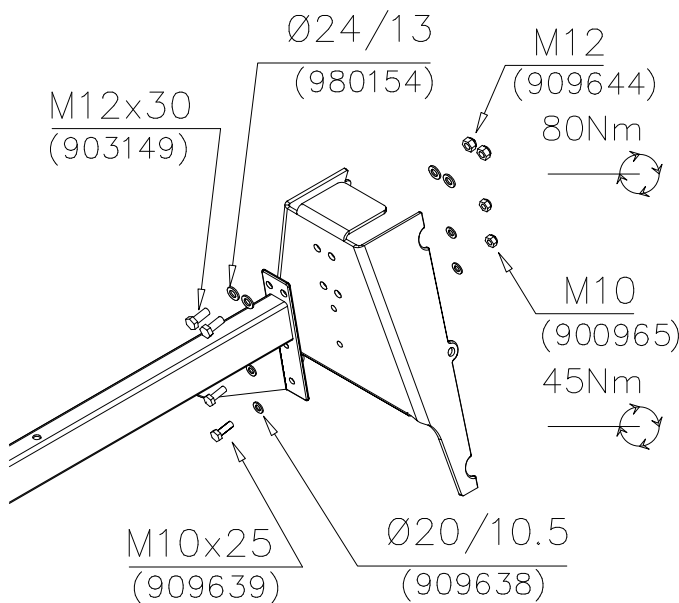
-  M12x30 2 pcs
-  Ø24/13 4 pcs
-  M12 2 pcs
-  M10x25 2 pcs
-  Ø20/10.5 4 pcs
-  M10 2 pcs
-  905991 1 pcs

DET A1



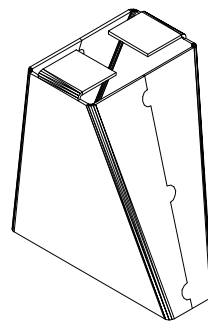
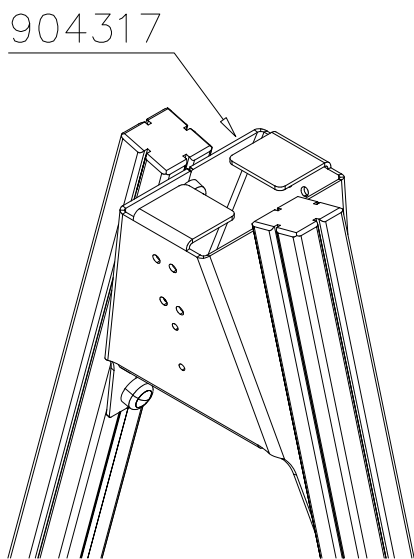
-  M12x35 6 pcs
-  Ø24/13 6 pcs
-  Ø45 6 pcs
-  Ø30 6 pcs
-  GLUE

DET B



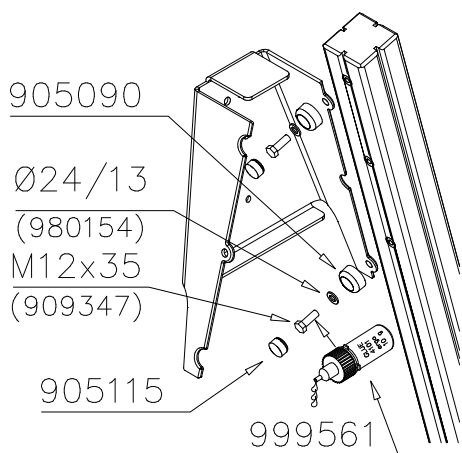
-  M12x30 2 pcs
-  Ø24/13 4 pcs
-  M12 2 pcs
-  M10x25 2 pcs
-  Ø20/10.5 4 pcs
-  M10 2 pcs

DET B



904317

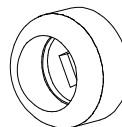
DET B1



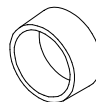
M12x35 6 pcs



Ø24/13 6 pcs



Ø45 6 pcs

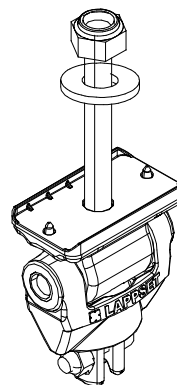
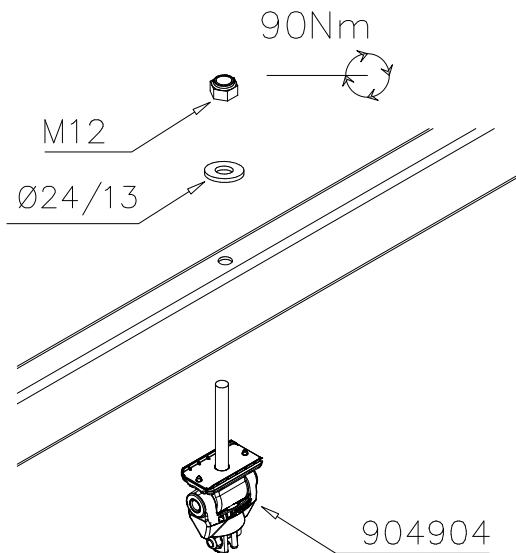


Ø30 6 pcs



GLUE

DET C



904904

DET D

90Nm

M12x110
(906499)

Ø24/13
(980154)

901958

M8x35

Ø24/13
(980154)

M12
(902234)

M8

CUT EXTRA CHAIN

M12x110 2 pcs

Ø24/13 4 pcs

M12 2 pcs

901958 1 pcs

DET D

903577

903577 1 pcs

DET E

6x60
980131

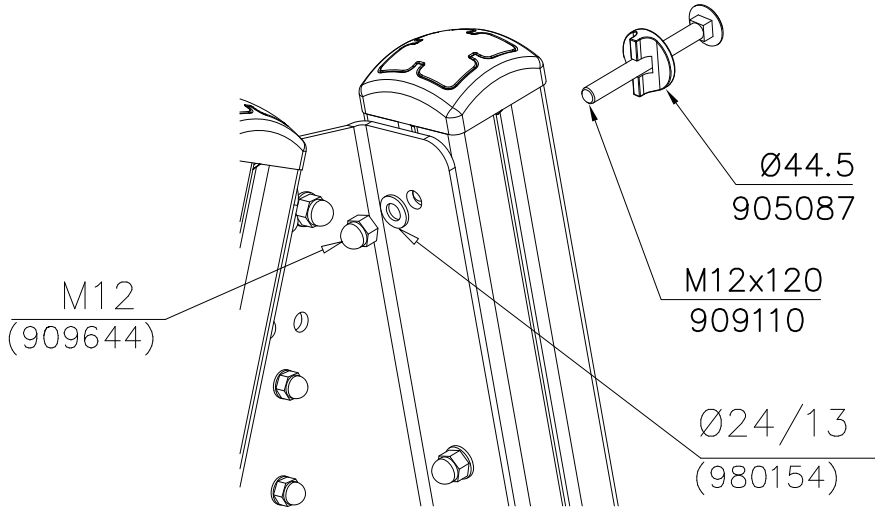
980131 4 pcs

905138 1 pcs

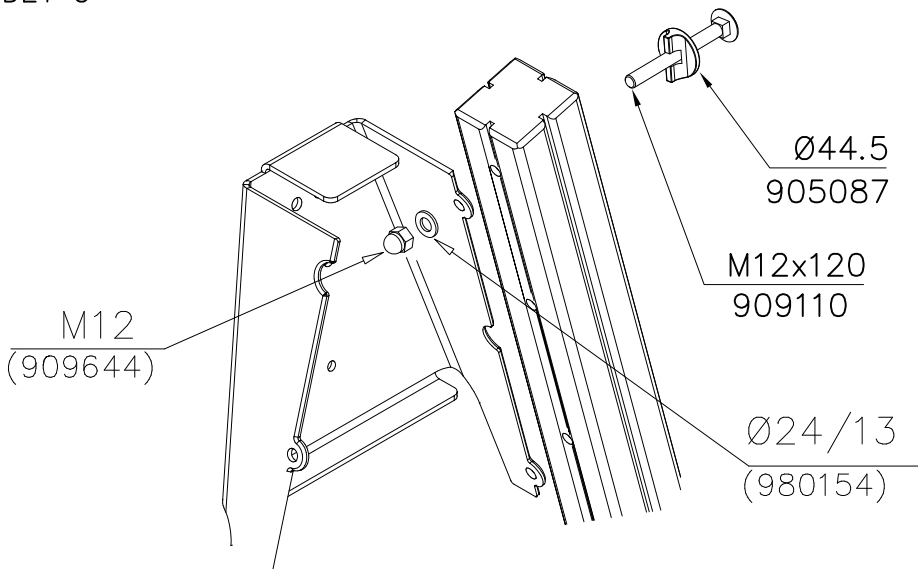
905196 1 pcs

REF: SWING
DATE: 29.6.2022

DET F



DET G



AS Impact Area 21.3 m² (229 sq ft)
 Max falling height 2005 mm. (6'-7 1/4" in)

