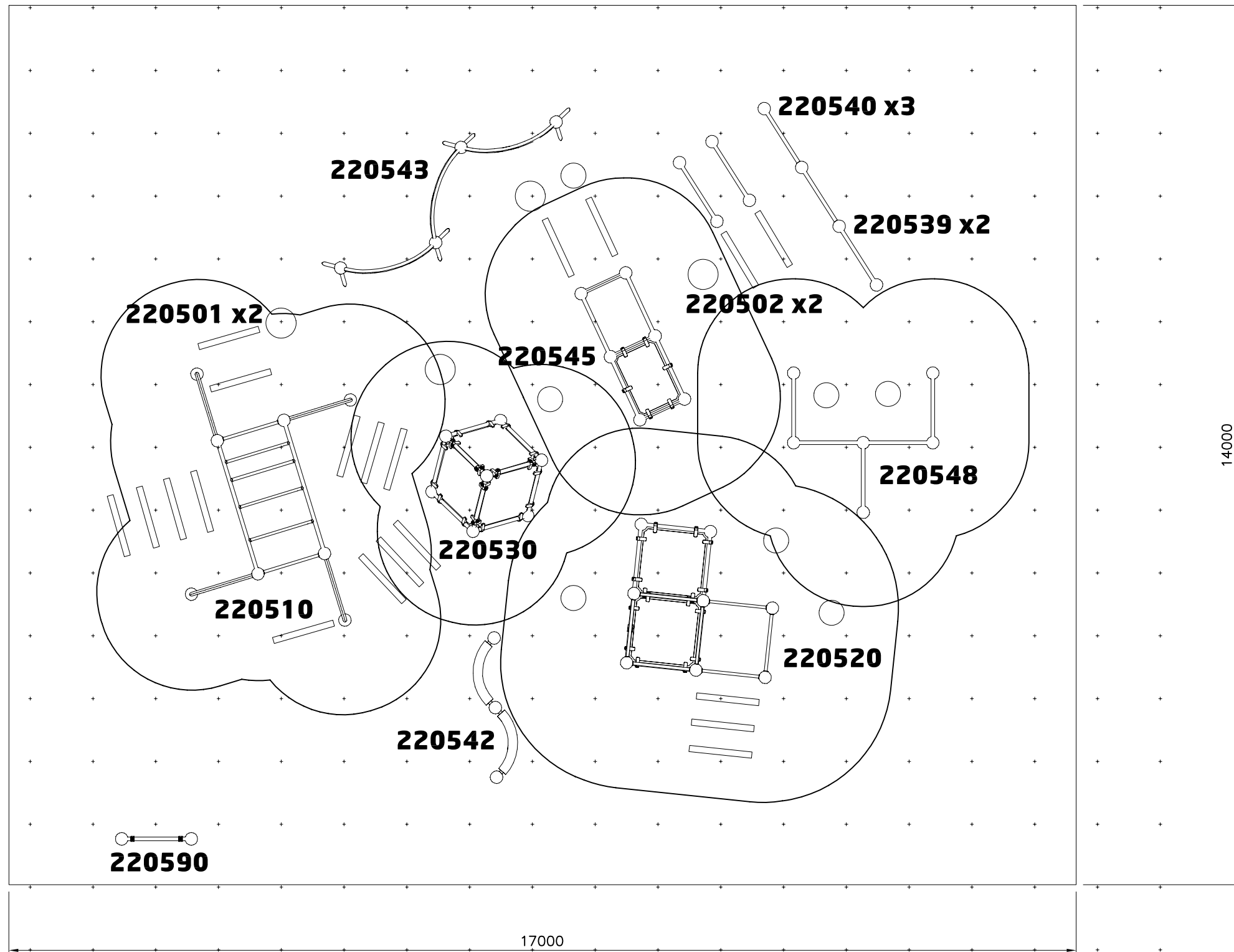
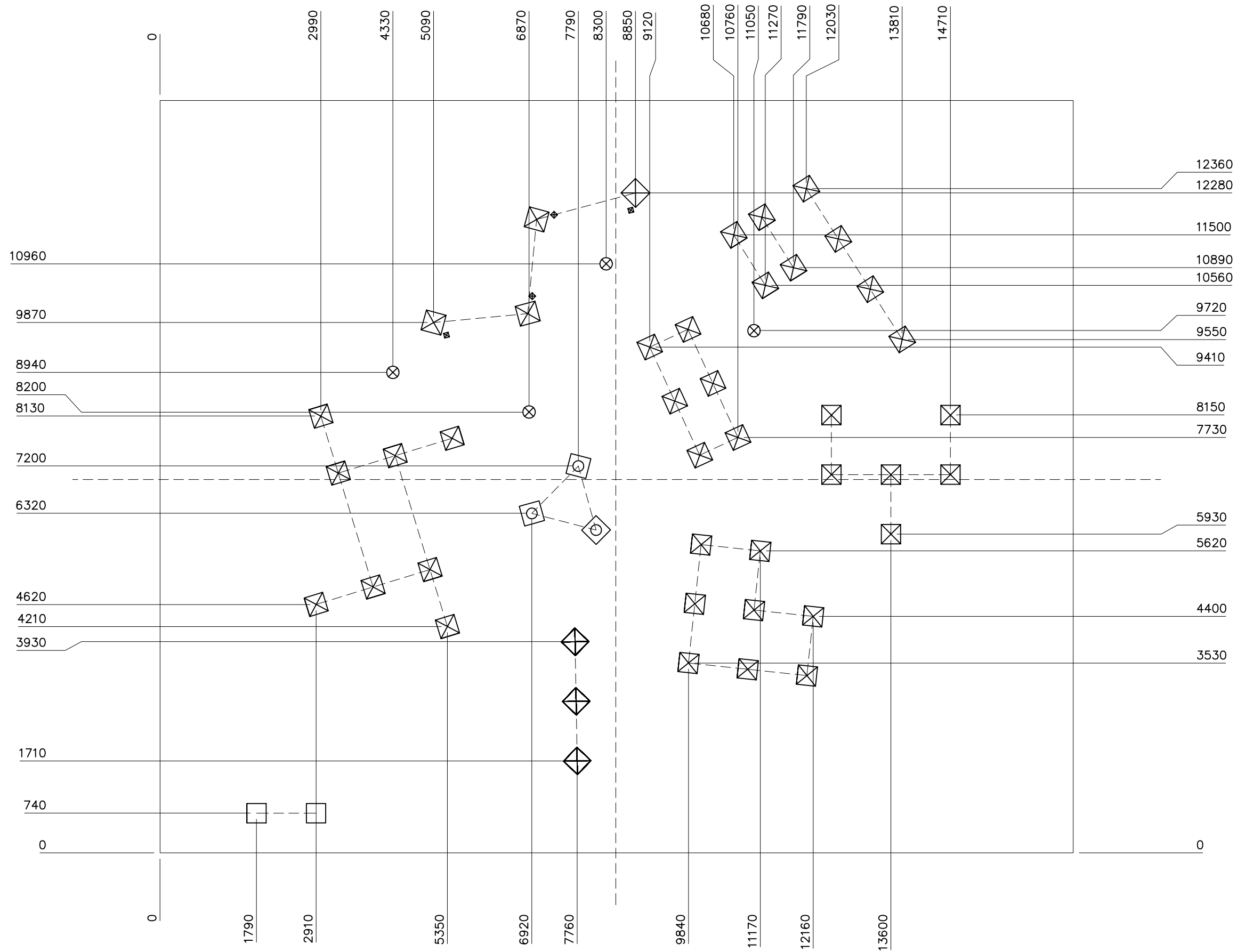
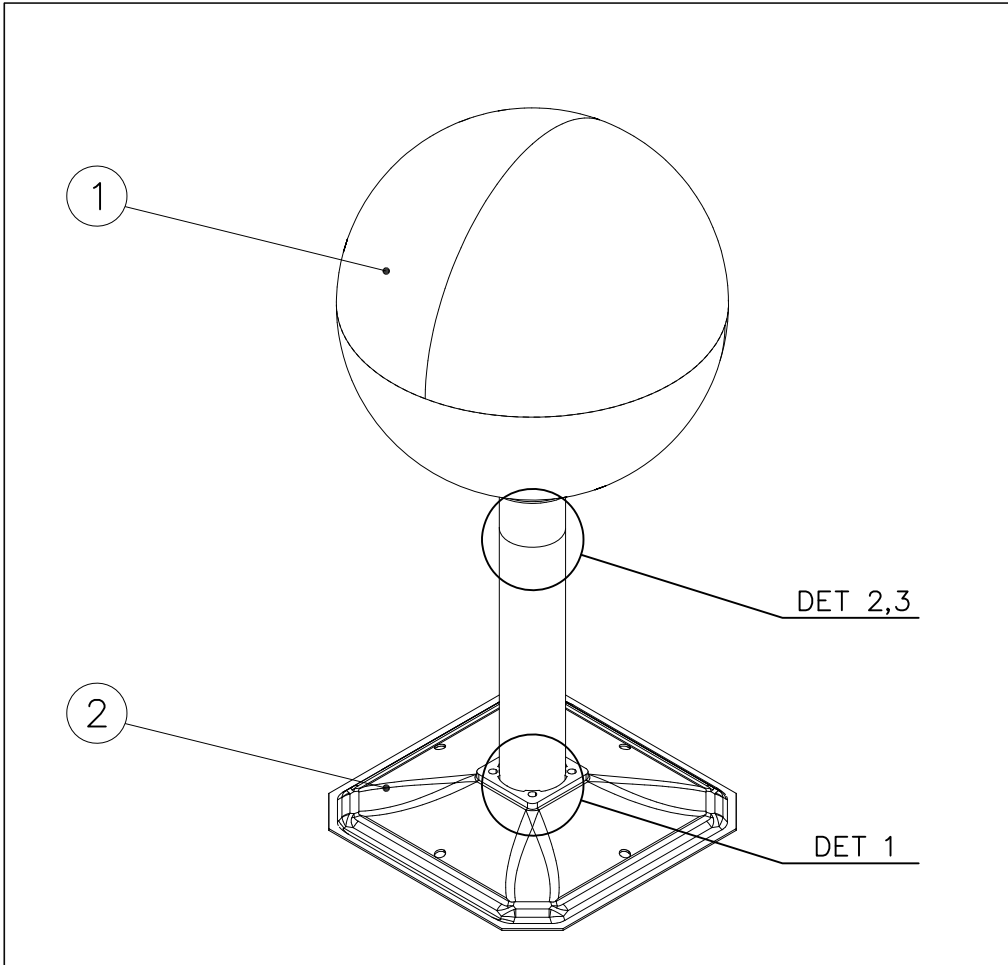


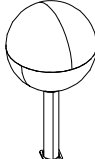
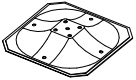

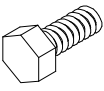

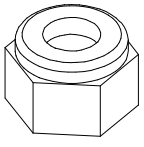
DATE: 16.3.2011

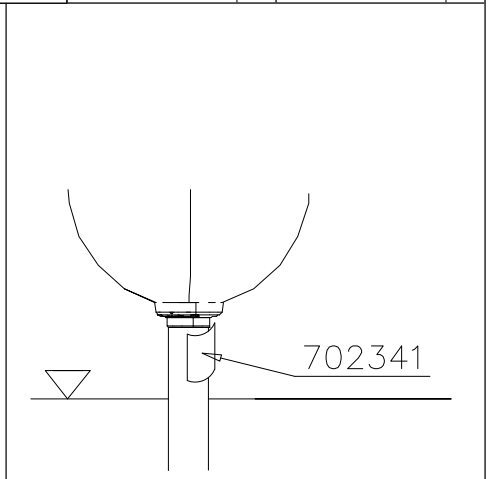
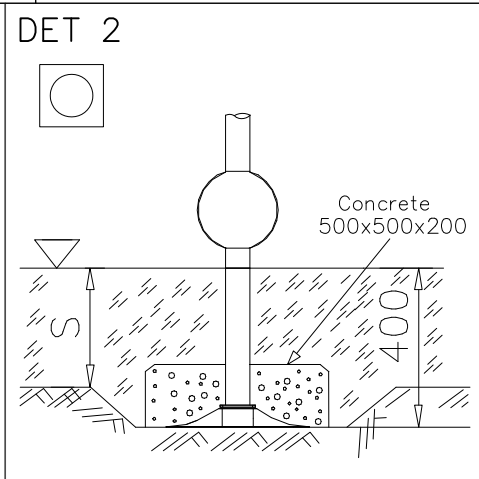
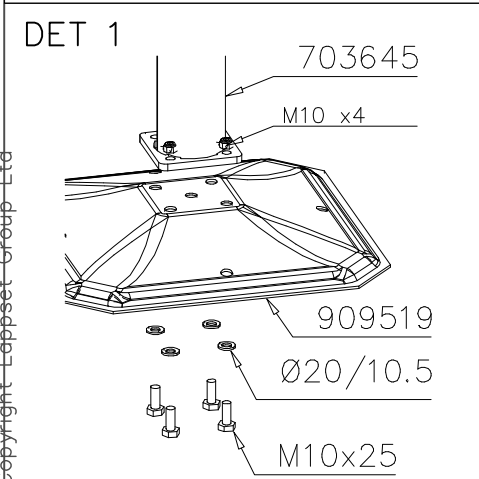
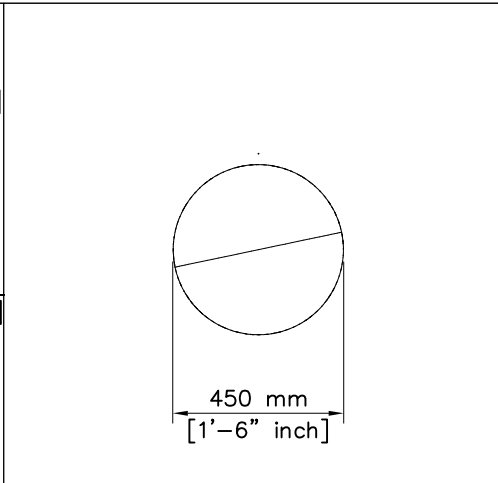
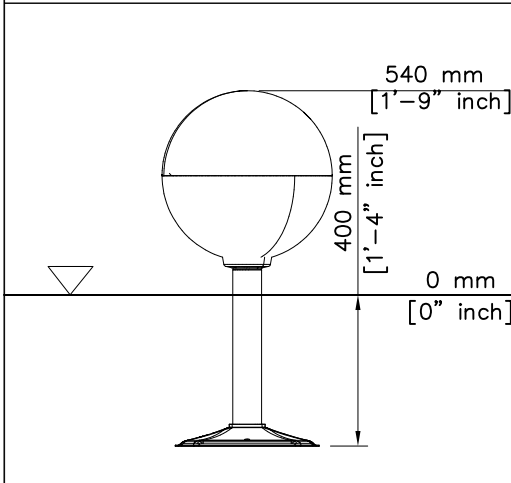




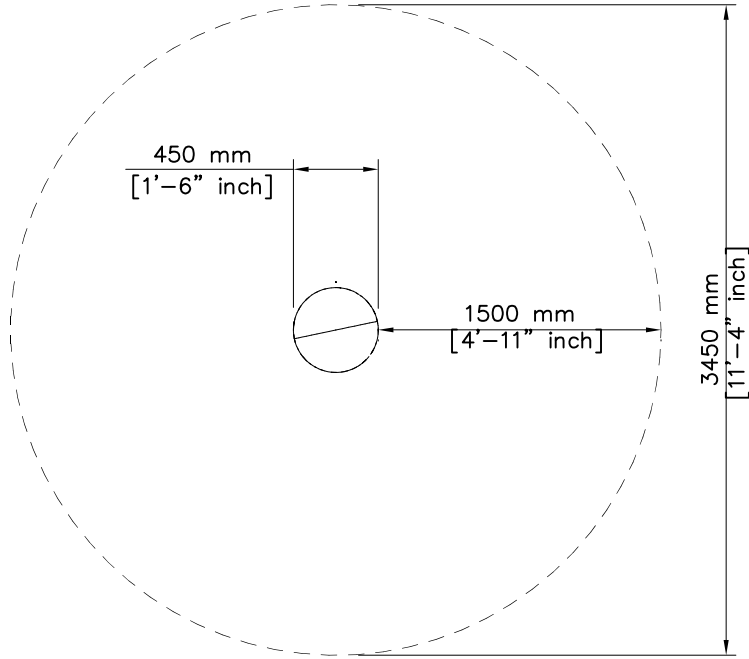
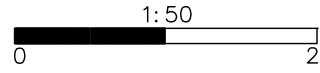


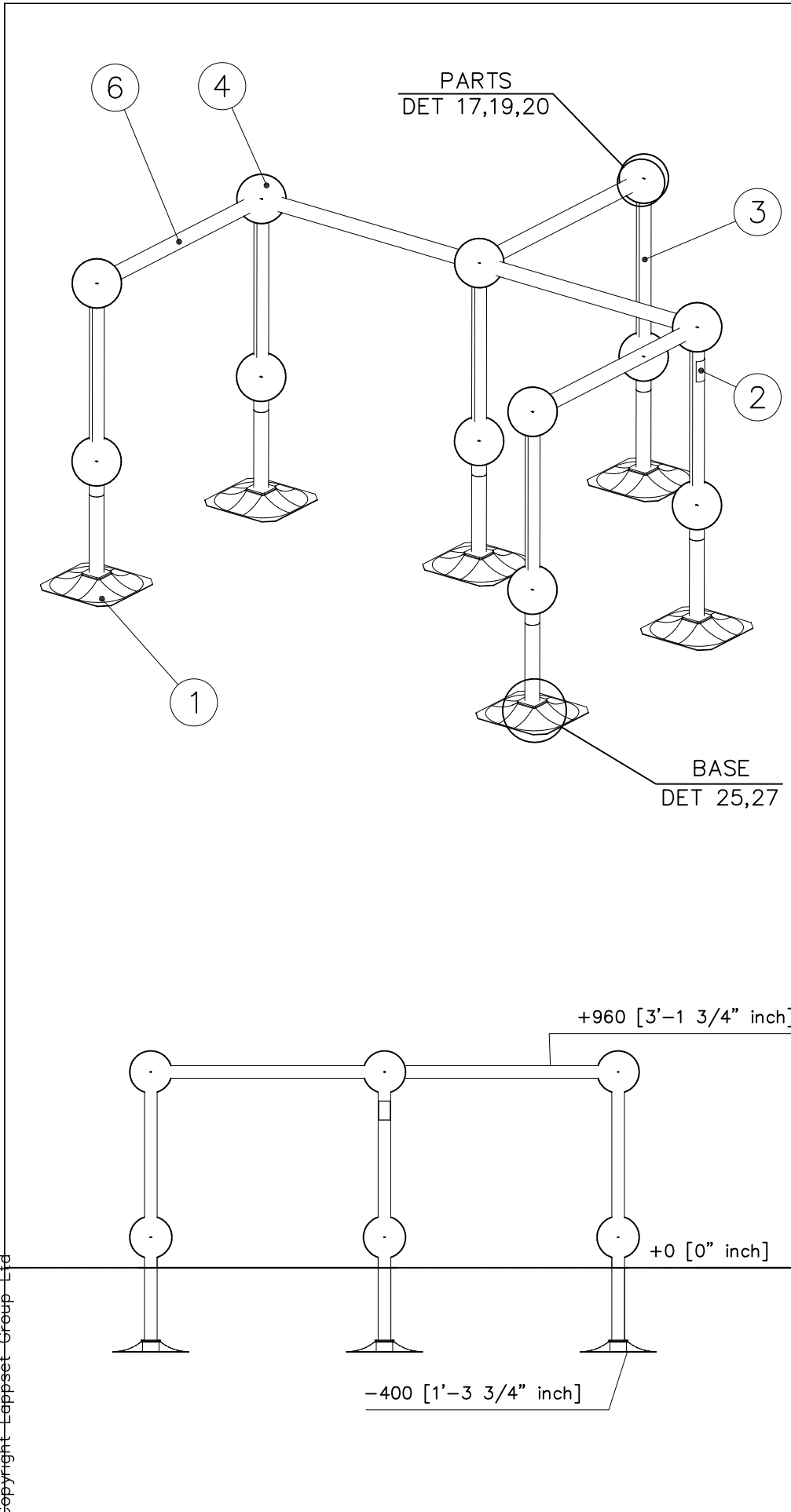


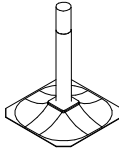
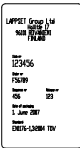
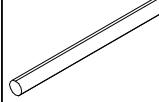
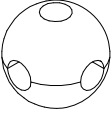

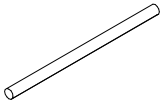
① 703644	PCS	② 909519	PCS
	1		1
		380x380	
③ 909638	PCS	④ 909639	PCS
	4		4
Ø20/10.5		M10x25	
⑤ 702341	PCS	⑥ 909637	PCS
	1		4
		M10	
	PCS		PCS
	PCS		PCS
	PCS		PCS



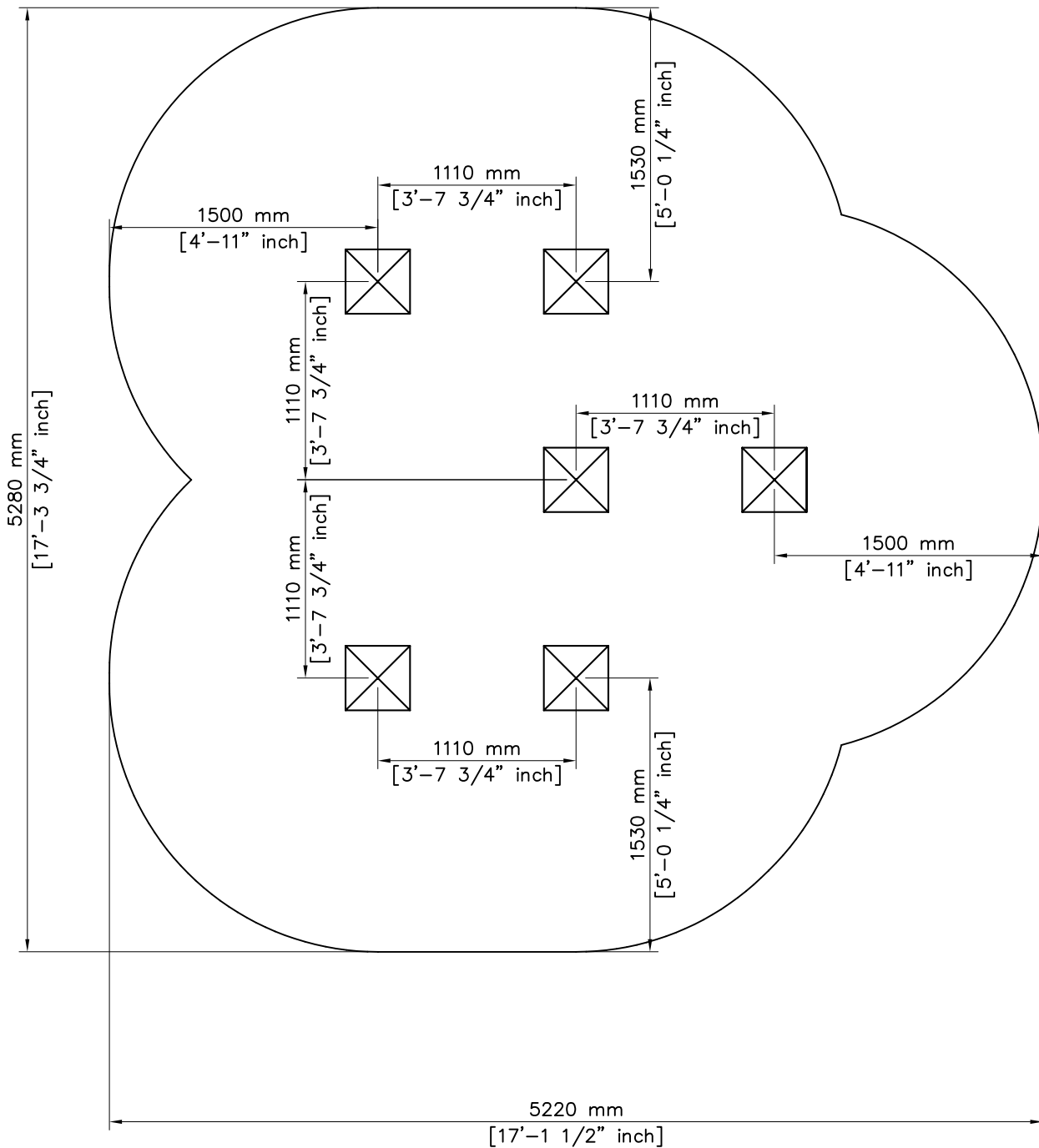
----- Falling Space 9.3 m<sup>2</sup> (100 sq ft)  
Max Falling Height 540 mm (1'-9" in)





① 701985	PCS	② 702341	PCS
	6		1
		90x50	
③ 902022	PCS	④ 902134	PCS
	6		12
L 710			
⑤ 902157	PCS	⑥ 902424	PCS
	44		5
60x60x2		L 1034	
	PCS		PCS
	PCS		PCS
	PCS		PCS
	PCS		PCS
	PCS		PCS

EN/AS Impact Area 21.9 m<sup>2</sup> (235.7 sq ft)  
Falling Space Area 21.9 m<sup>2</sup> (235.7 sq ft)  
Max Falling Height 960 mm (3' - 1 3/4" in)



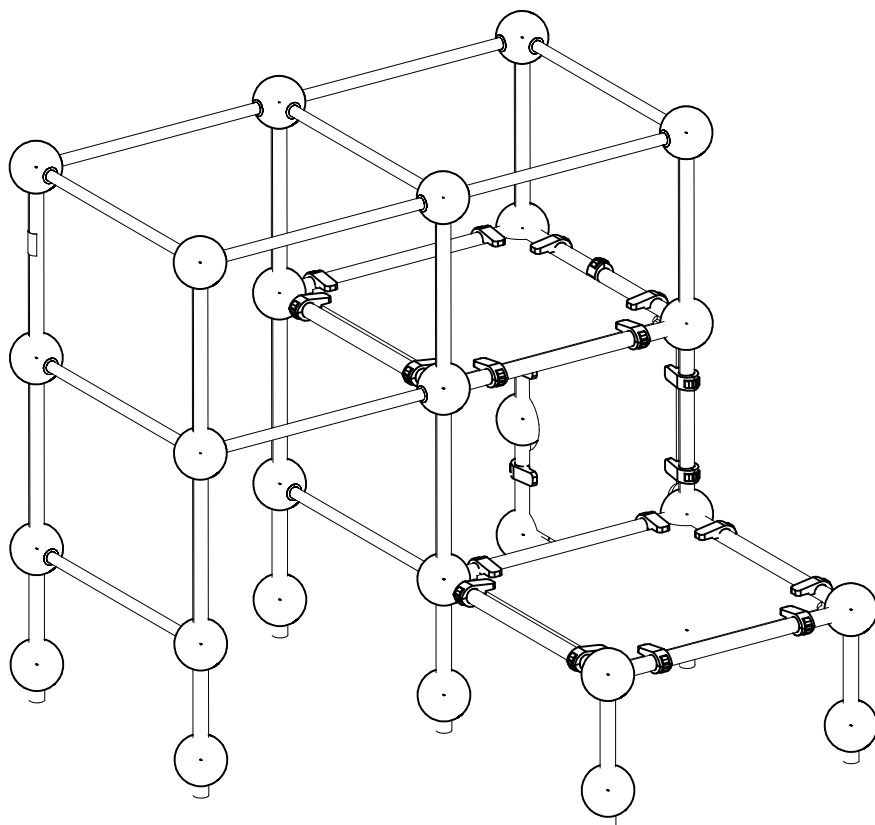
# **LAPPSET®**

## **PARKOUR**

ASENNUSOHJE  
MONTERINGSANSVISNING  
INSTALLATION INSTRUCTION  
AUFBAUANLEITUNG  
NOTICE D'INSTALLATION

DATE: 19.3.2013

# **220520**

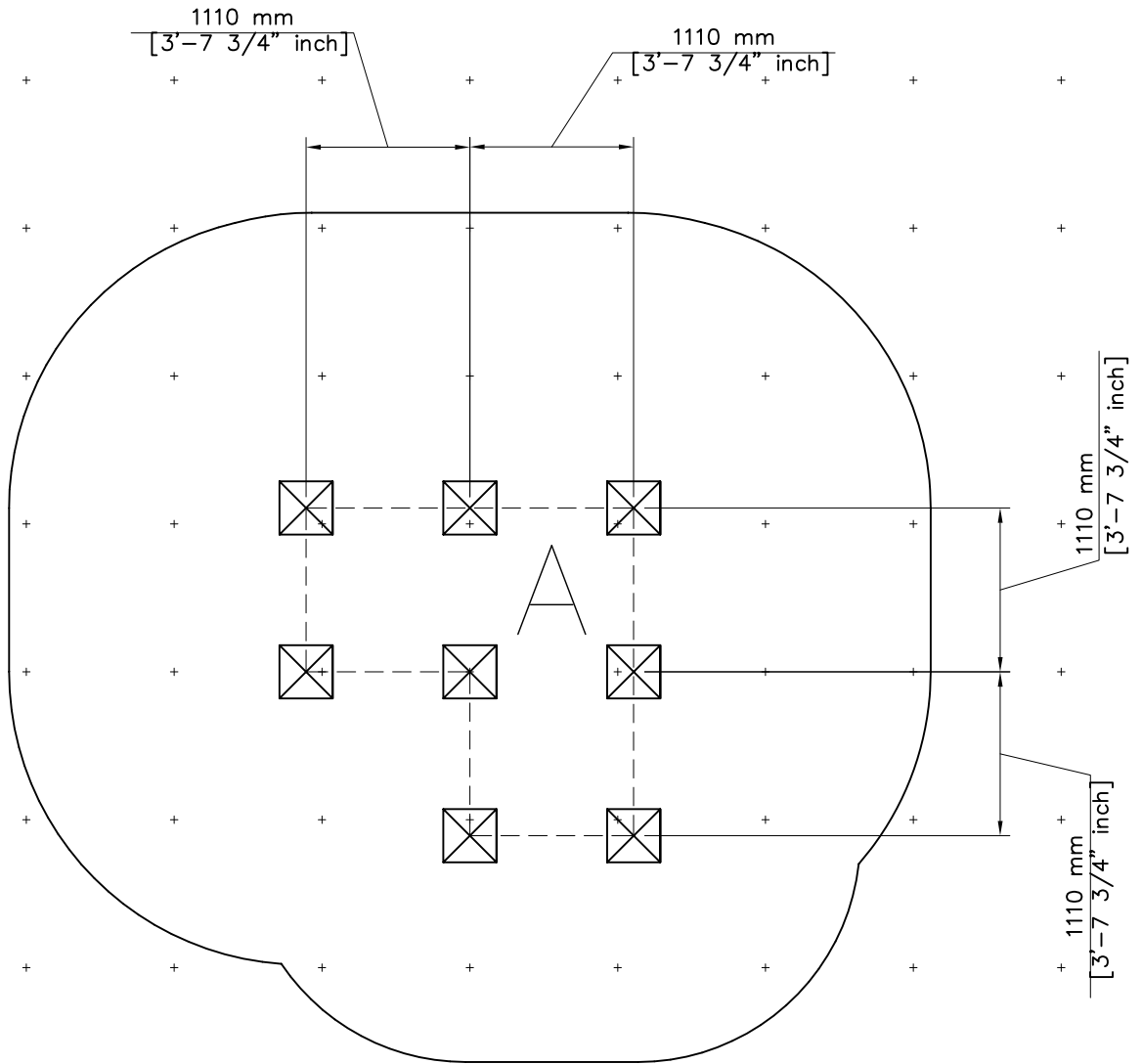
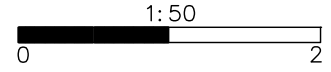






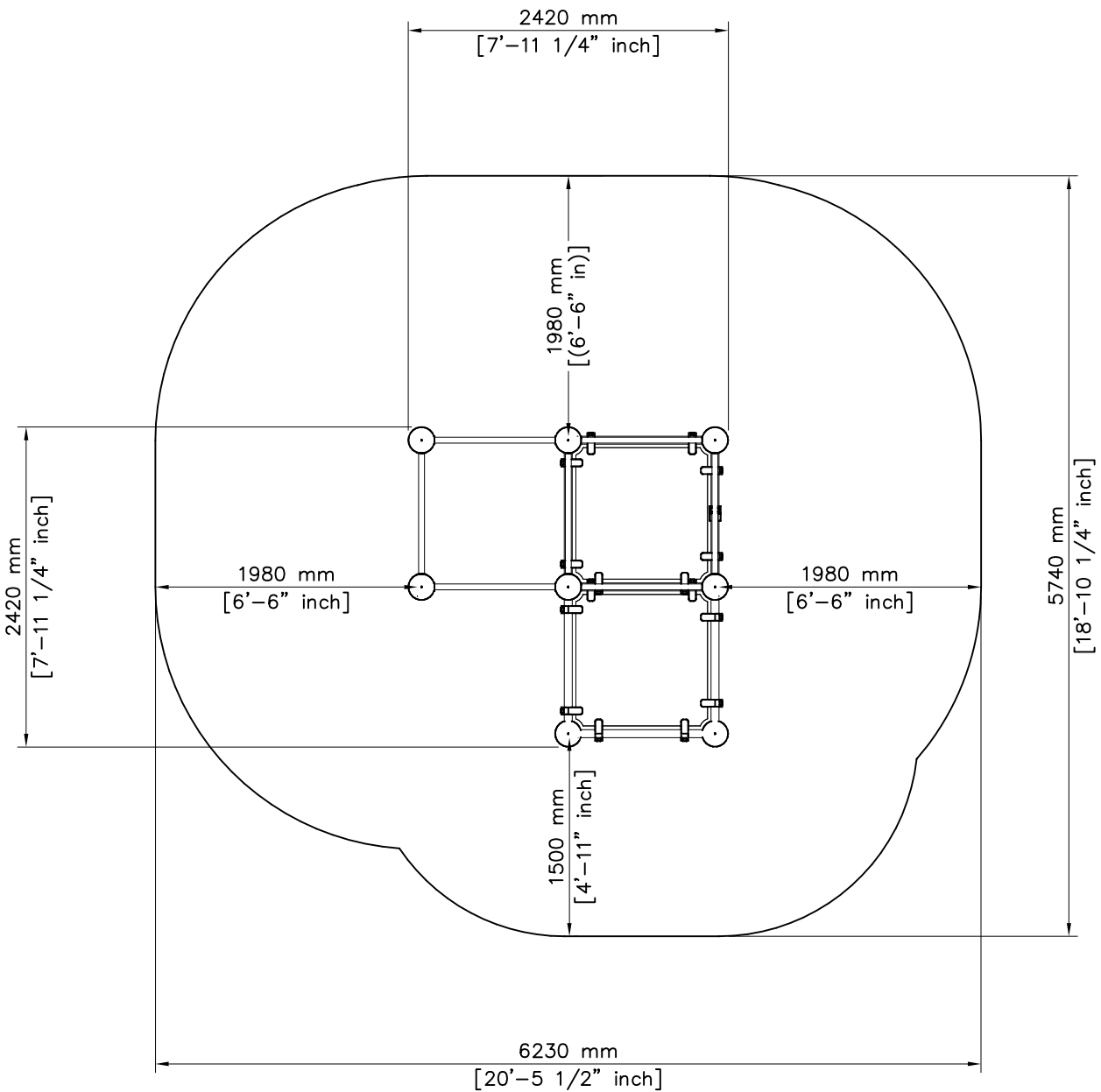
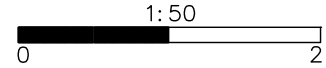
EN Impact Area 30.4 m<sup>2</sup> (327 sq ft)

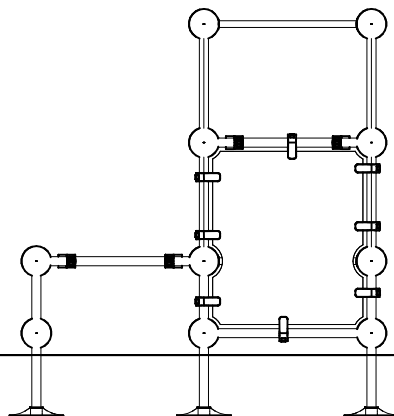
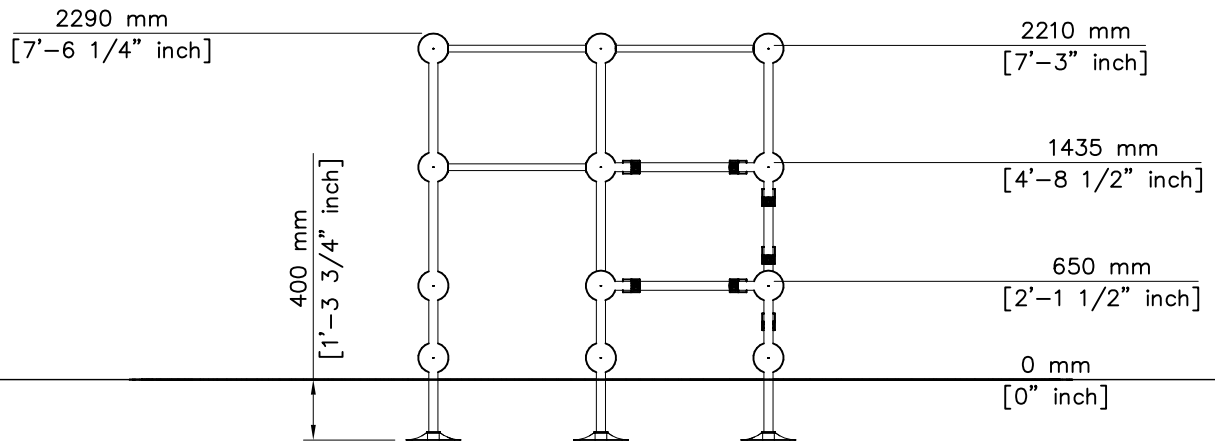
Grid size = 1000 mm (40" in)

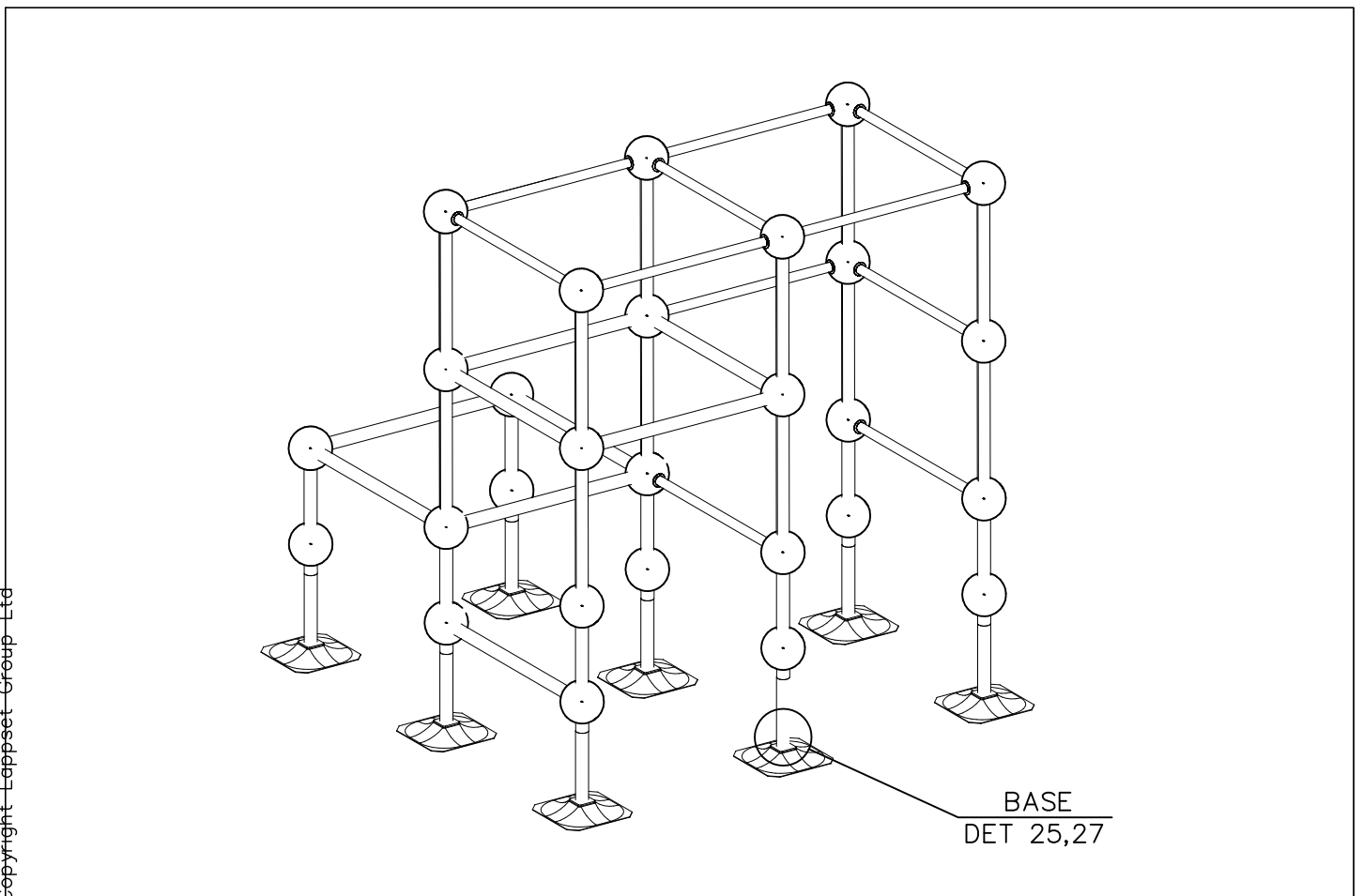
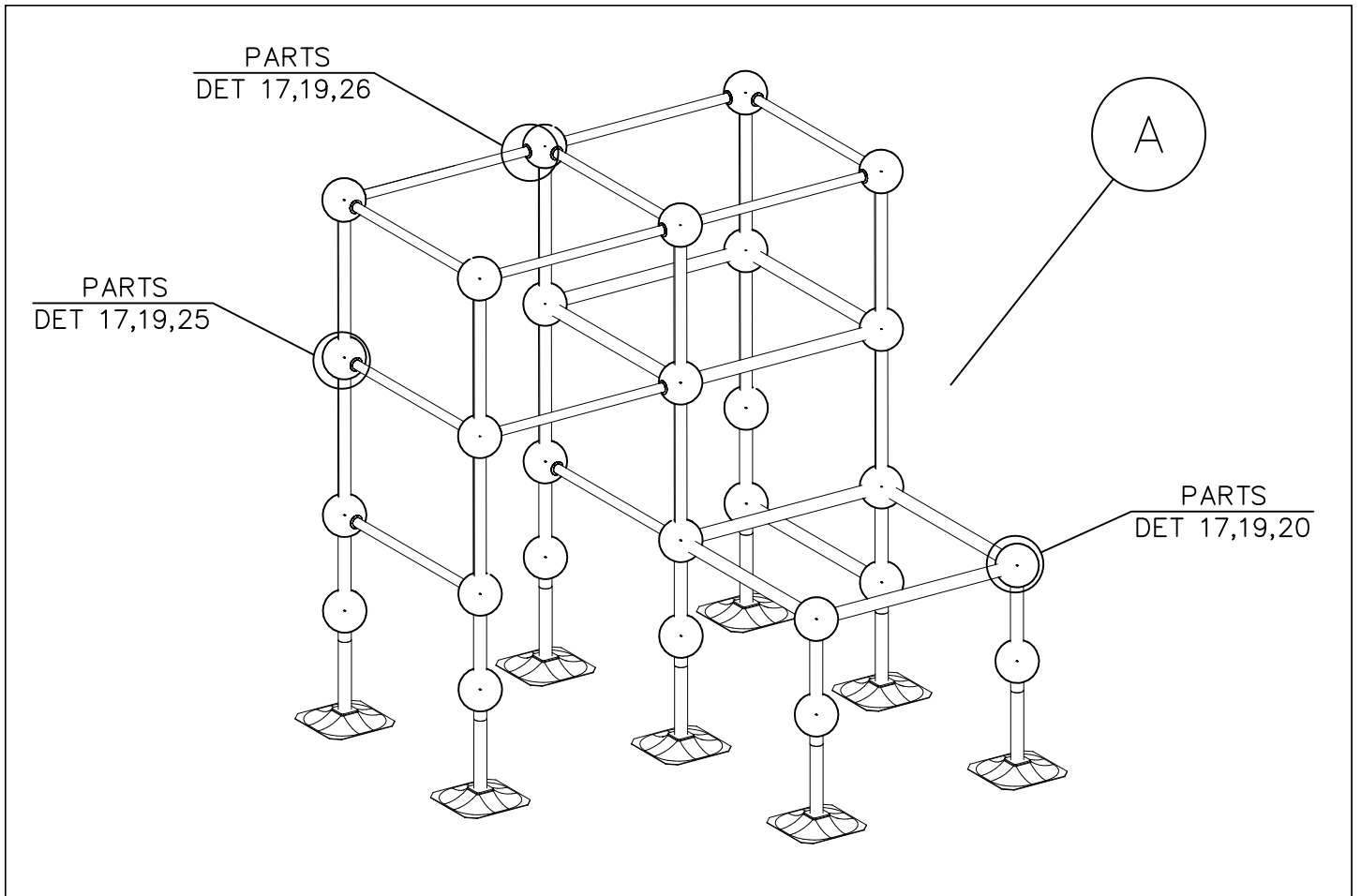


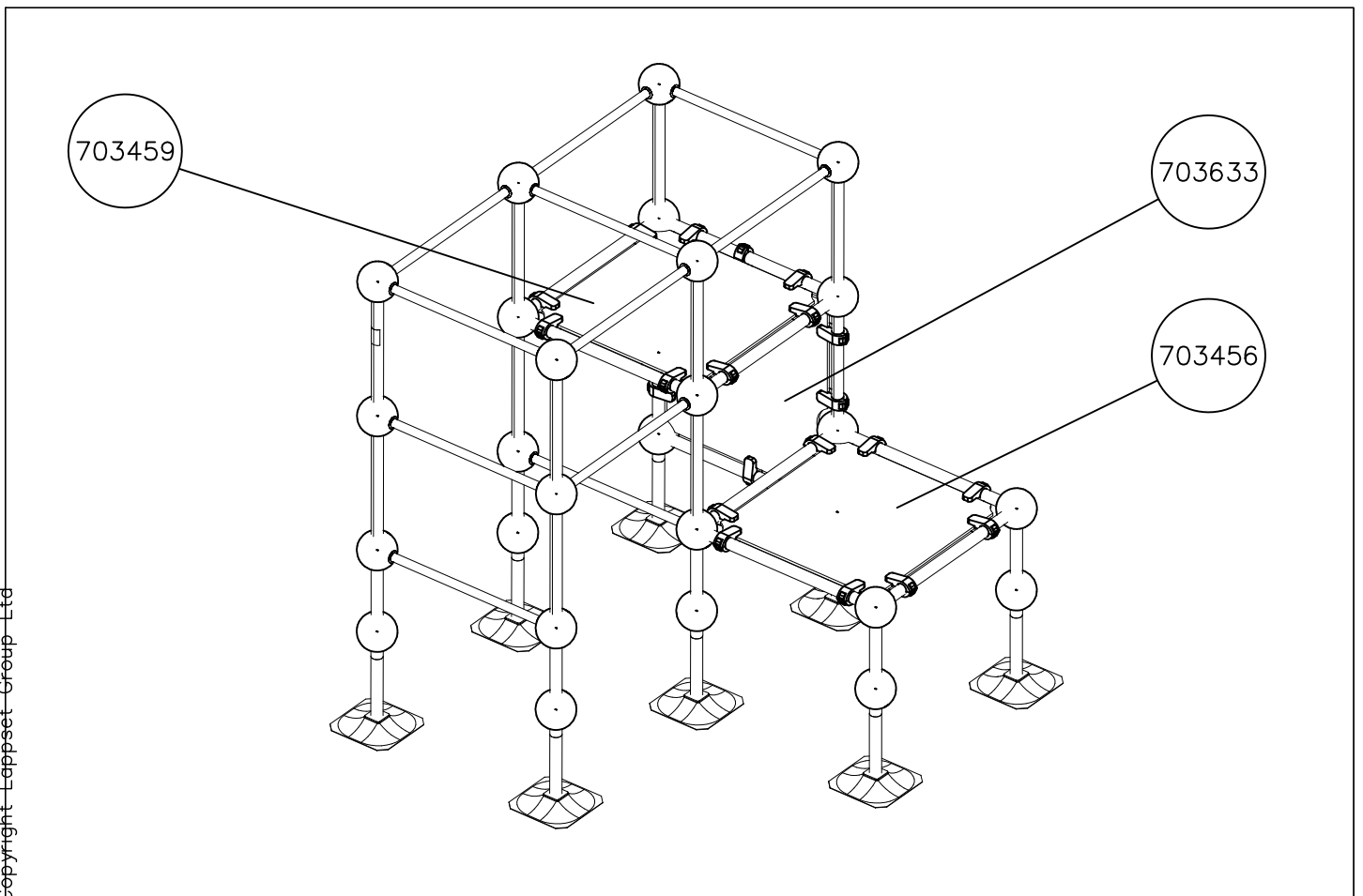
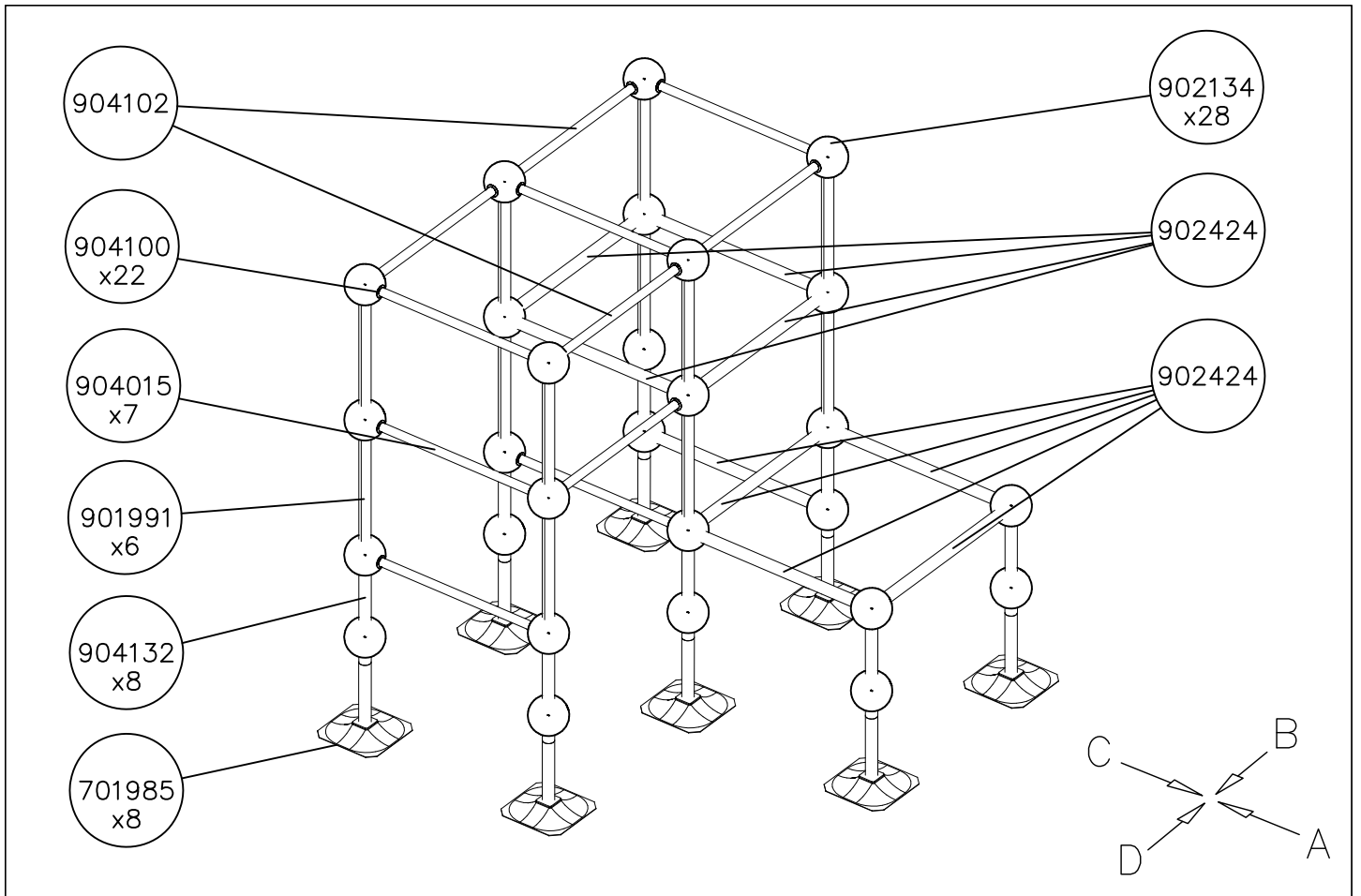
EN Impact Area 30.4 m<sup>2</sup> (327 sq ft)

Max Falling Height 2210 mm (7'-3" in)

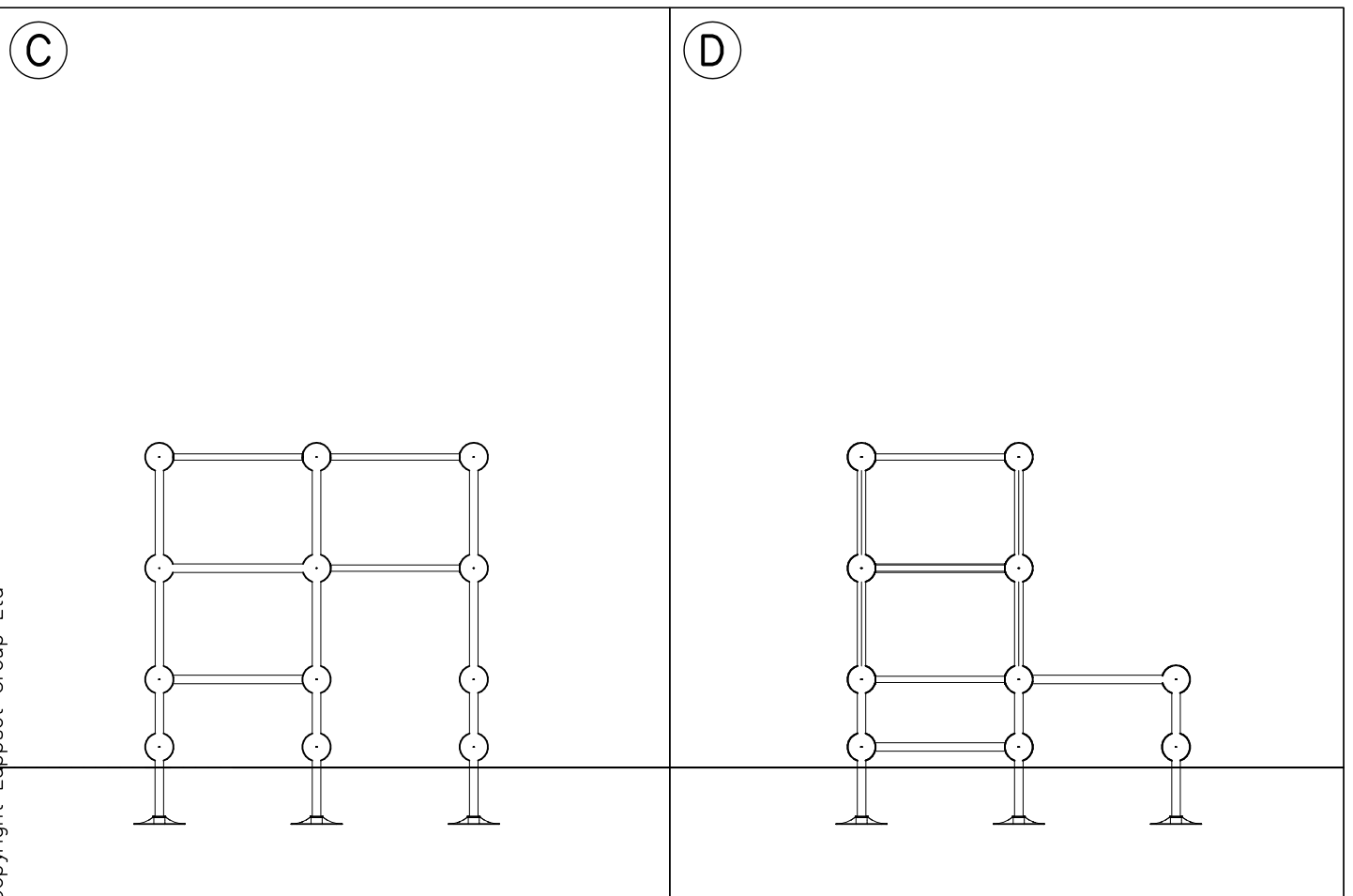
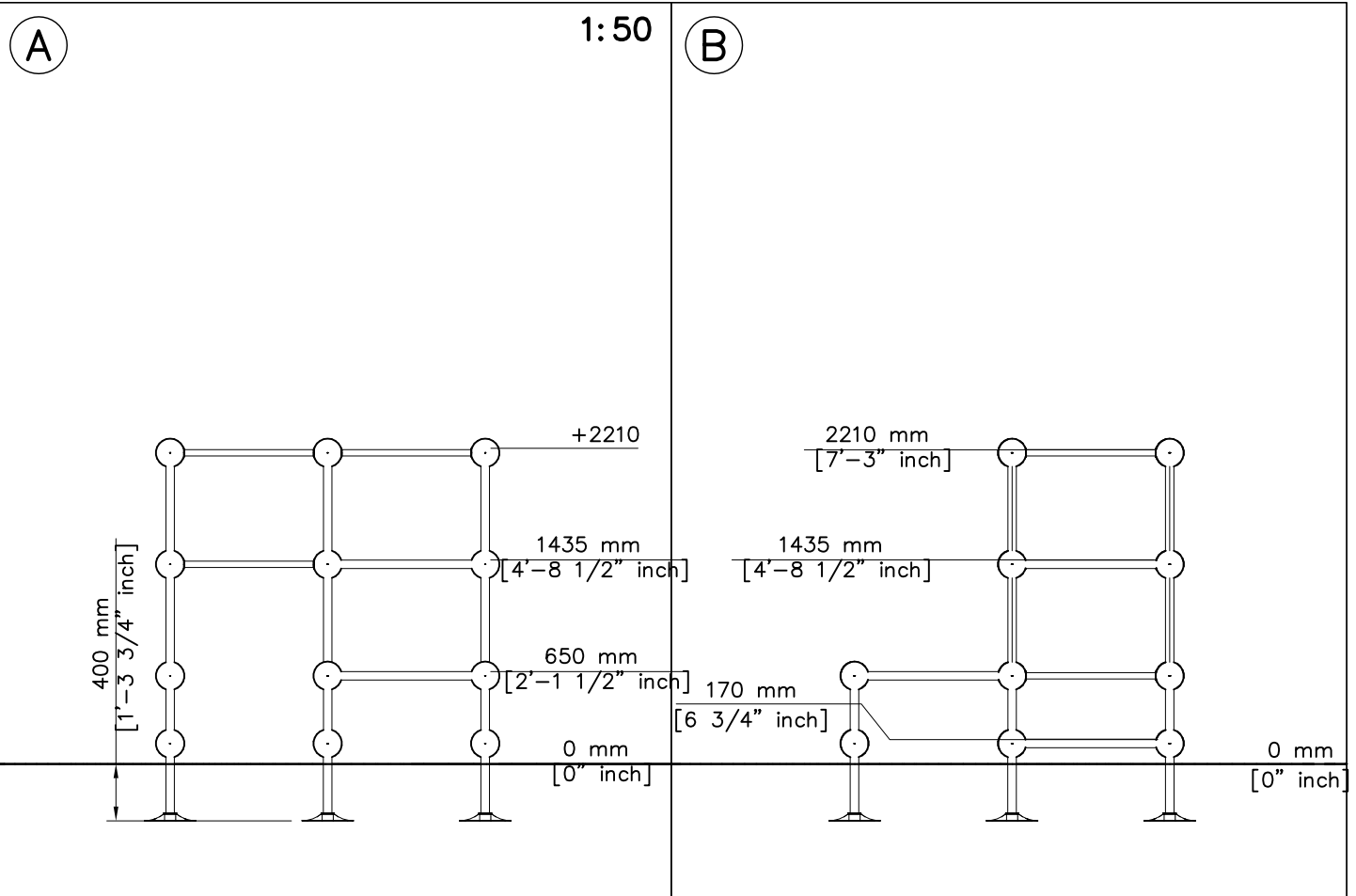


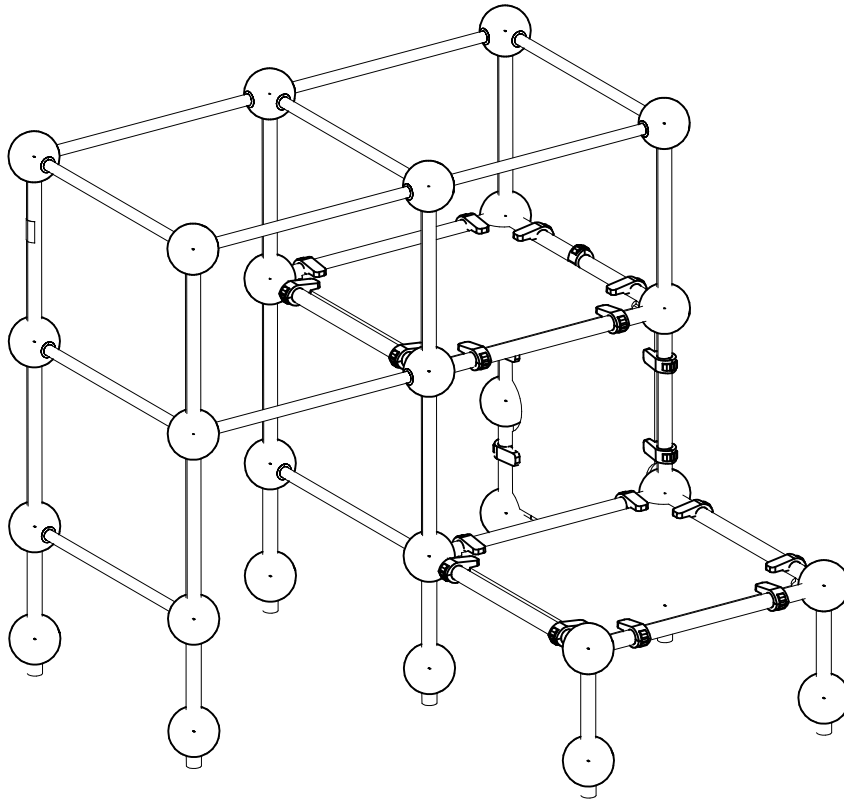




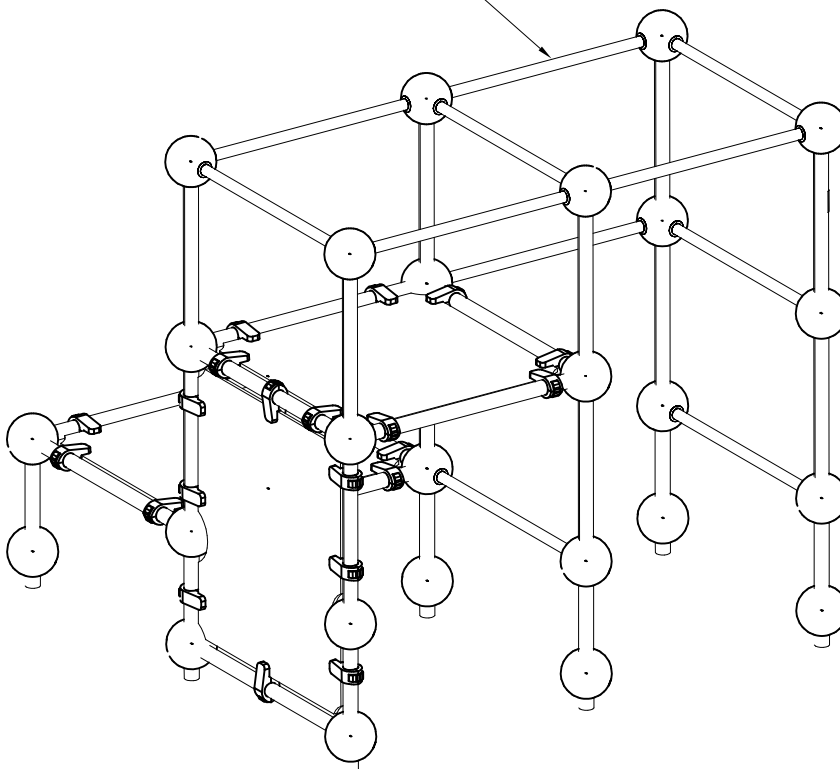


DATE: 19.3.2013

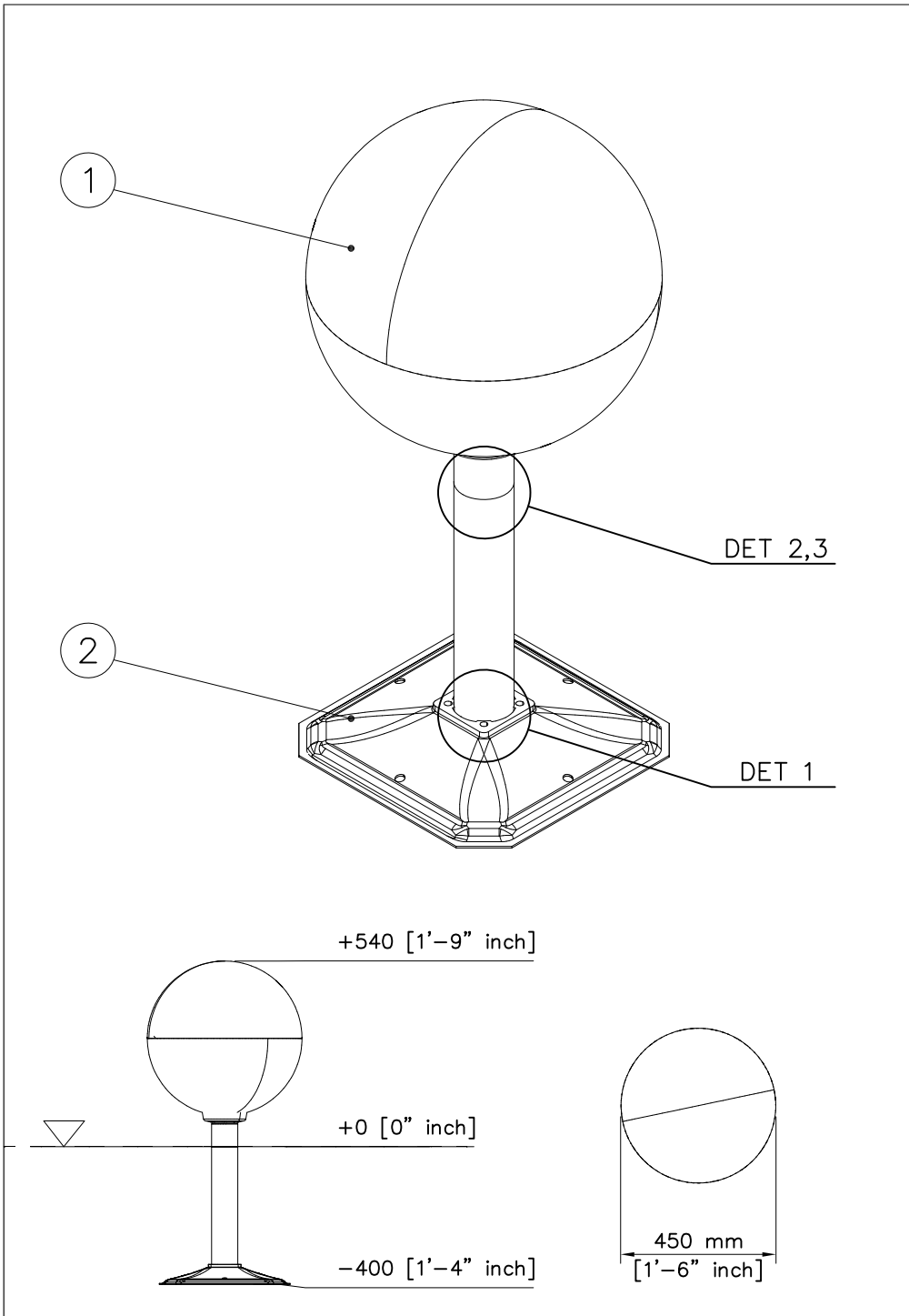




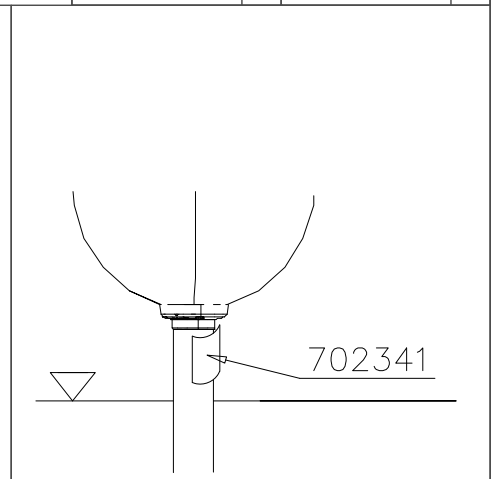
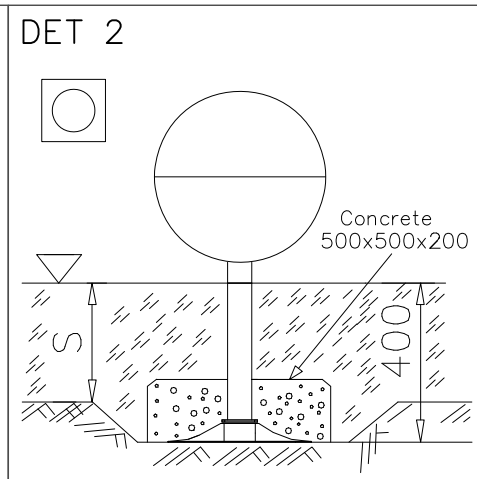
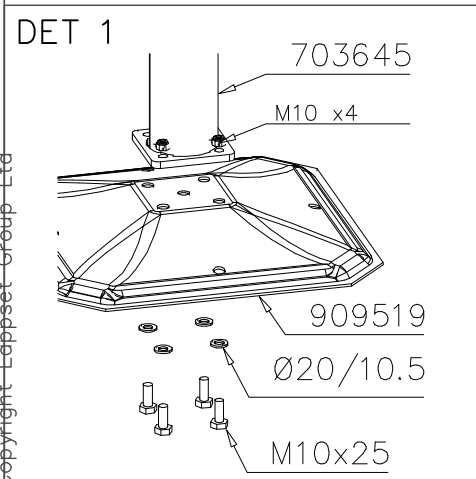
Max Falling Height 2210 mm



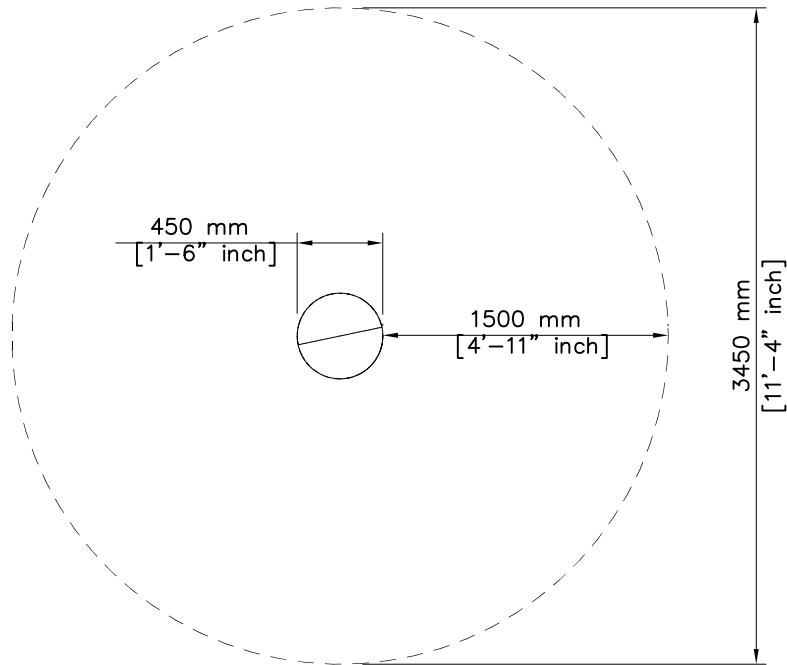
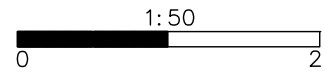




① 703645	PCS	② 909519	PCS
	1		1
		380x380	
③ 909638	PCS	④ 909639	PCS
	4		4
Ø20/10.5		M10x25	
⑤ 702341	PCS	⑥ 909637	PCS
	1		4
		M10	
	PCS		PCS
	PCS		PCS
	PCS		PCS



----- Falling Space 9.3 m<sup>2</sup> (100 sq ft)  
Max Falling Height 540 mm (1'-9" in)



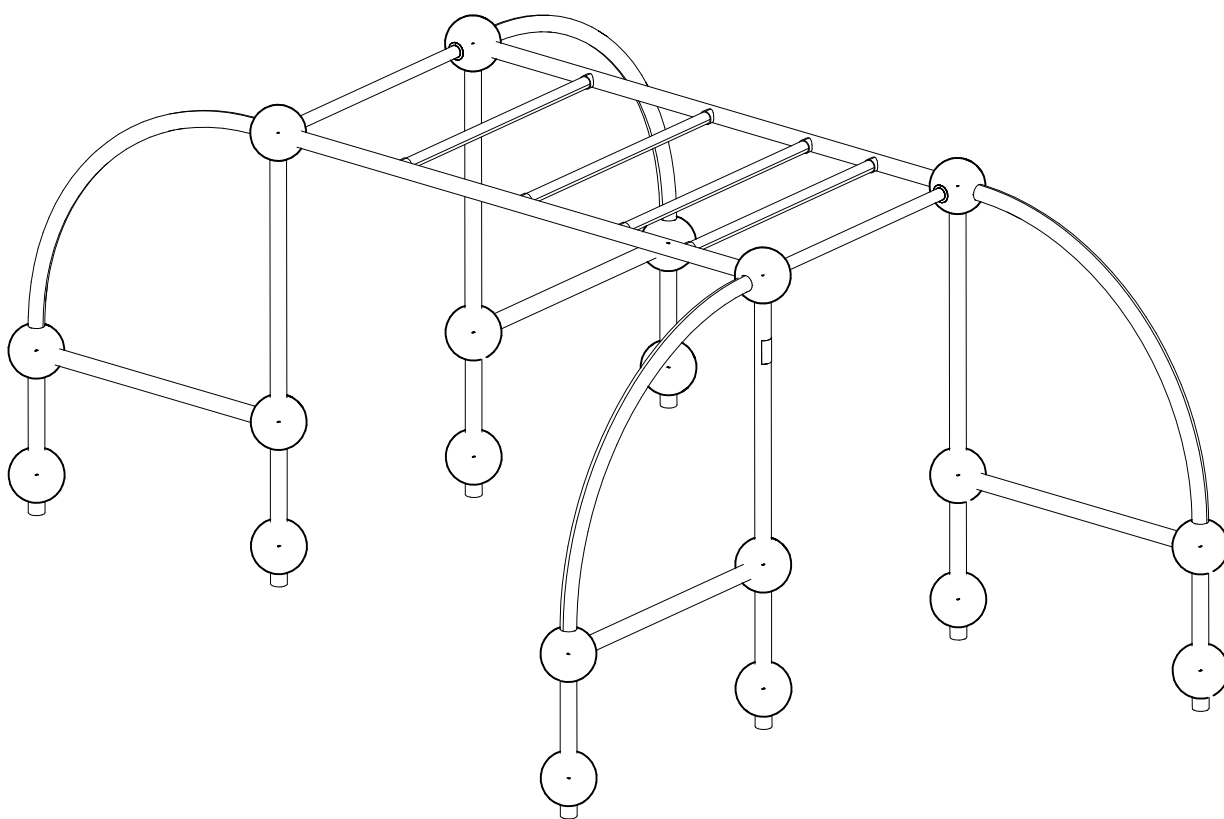
# **LAPPSET®**

## **PARKOUR**

ASENNUSOHJE  
MONTERINGSANSVISNING  
INSTALLATION INSTRUCTION  
AUFBAUANLEITUNG  
NOTICE D'INSTALLATION

DATE: 13.3.2013

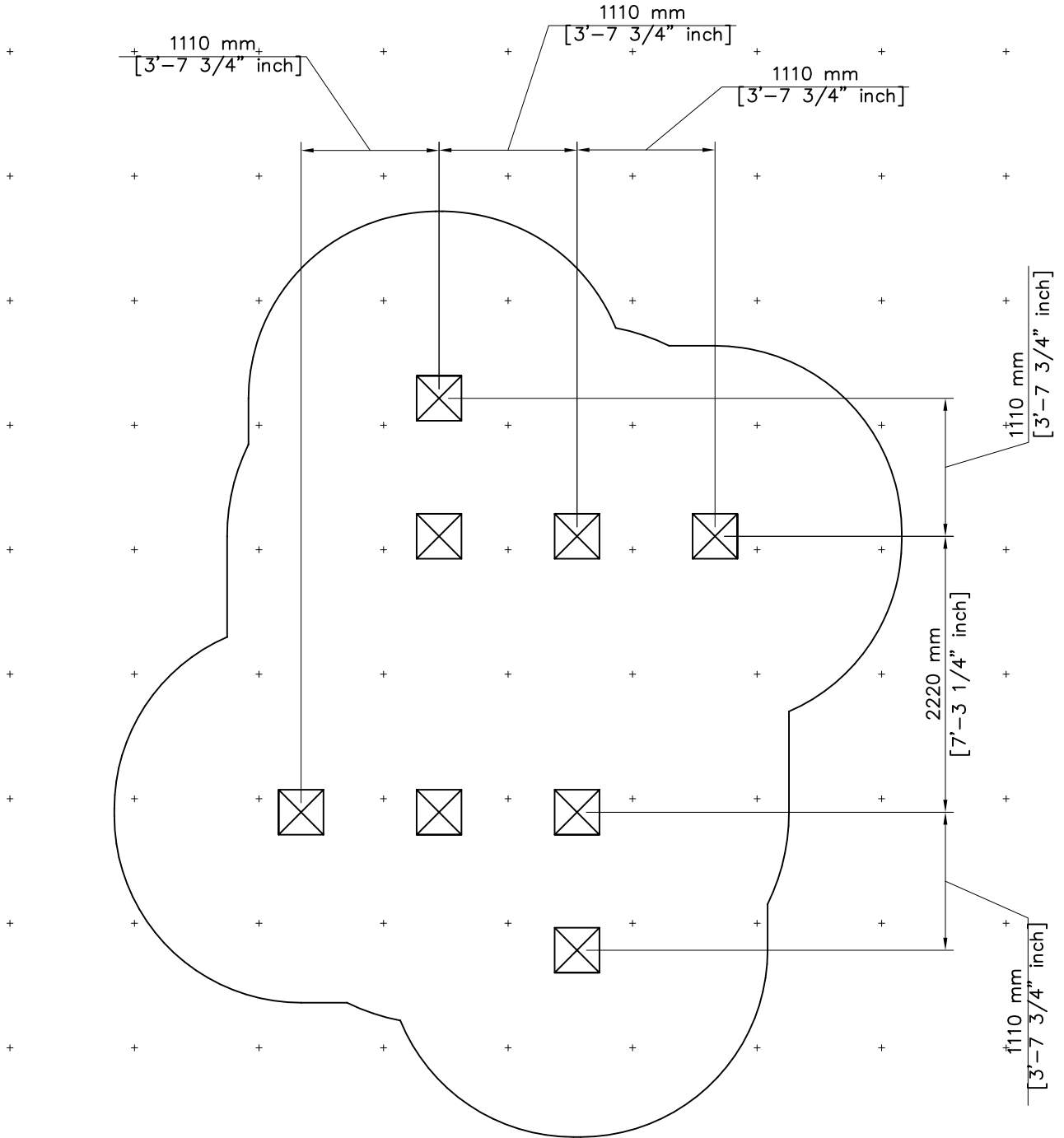
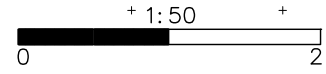
# **220510**



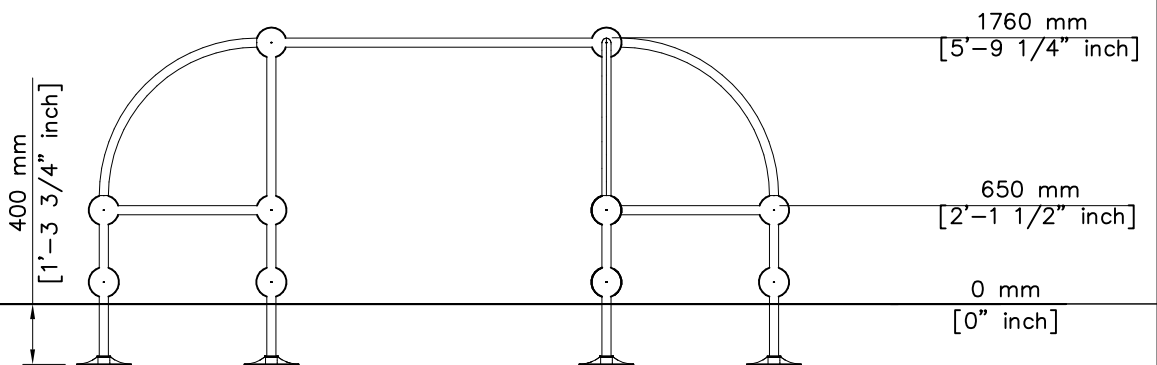
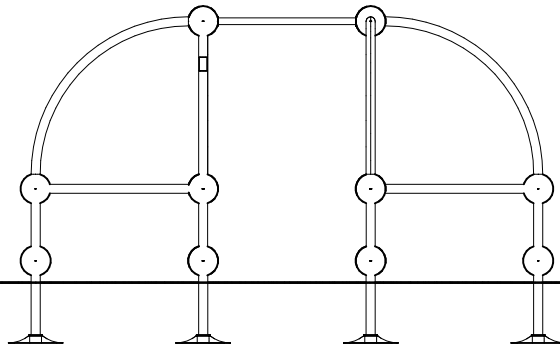


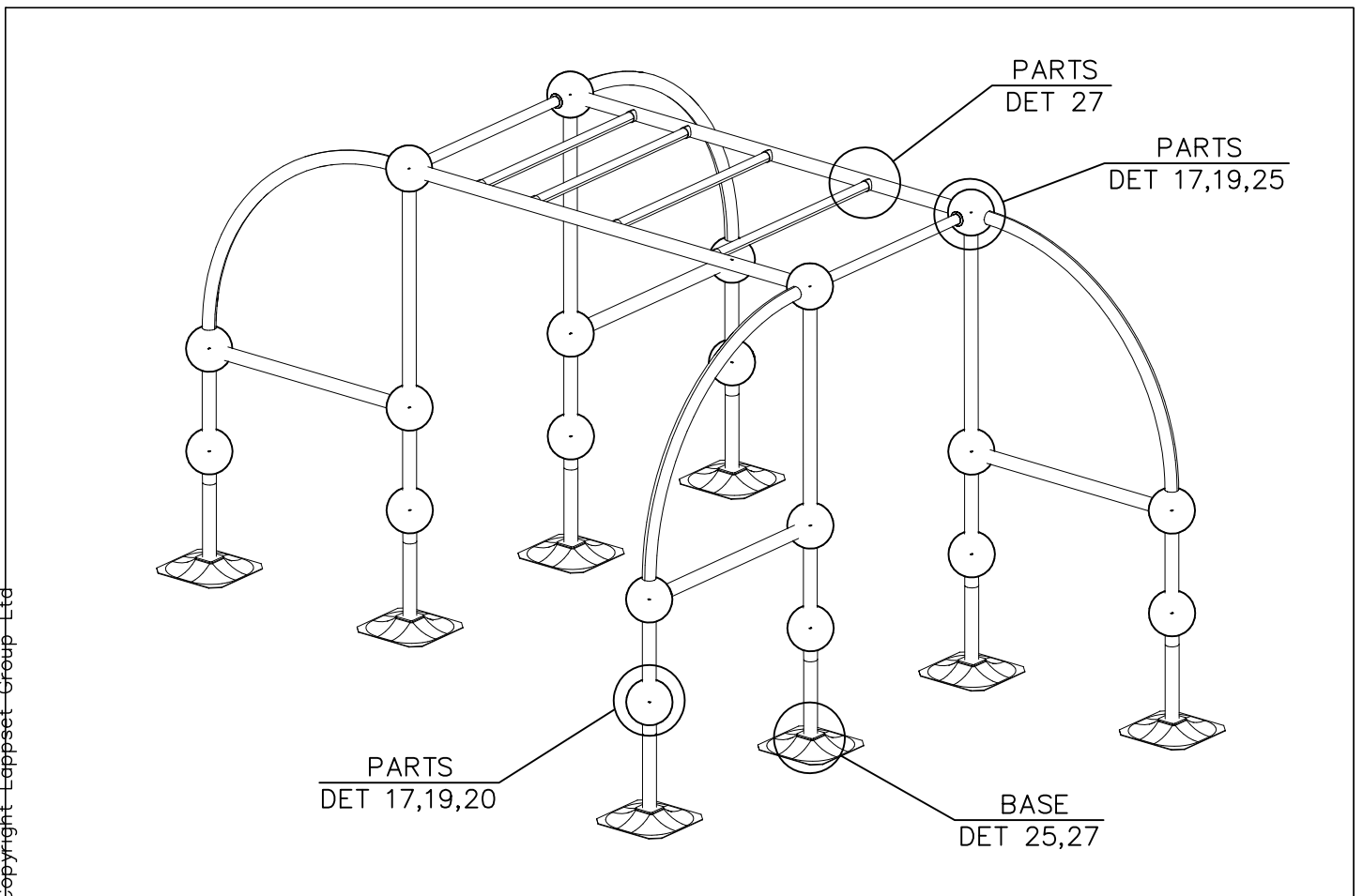
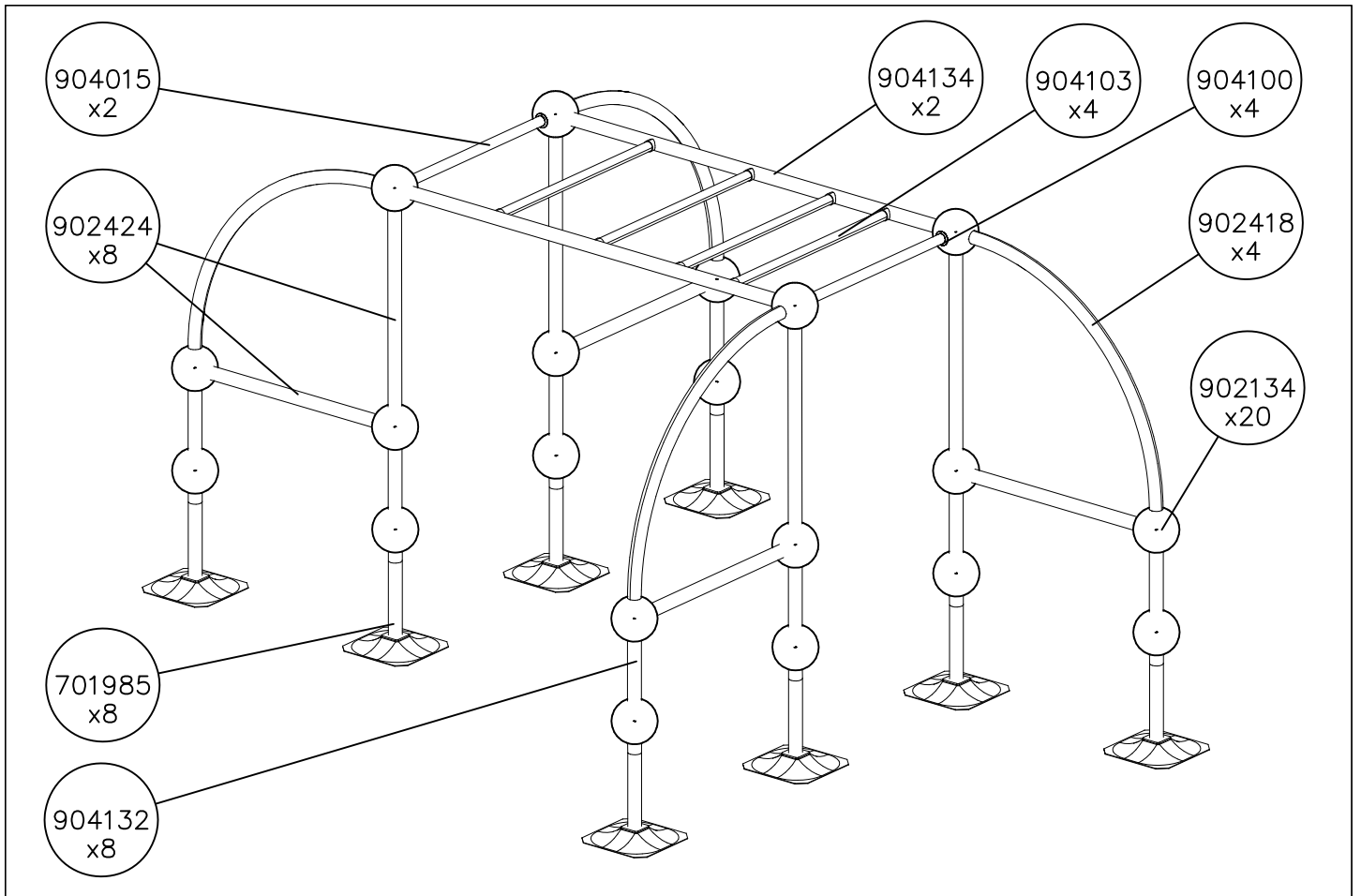
EN Impact Area 31.9+m2 (344 sq ft)

Grid Size 1000 mm (40" in)

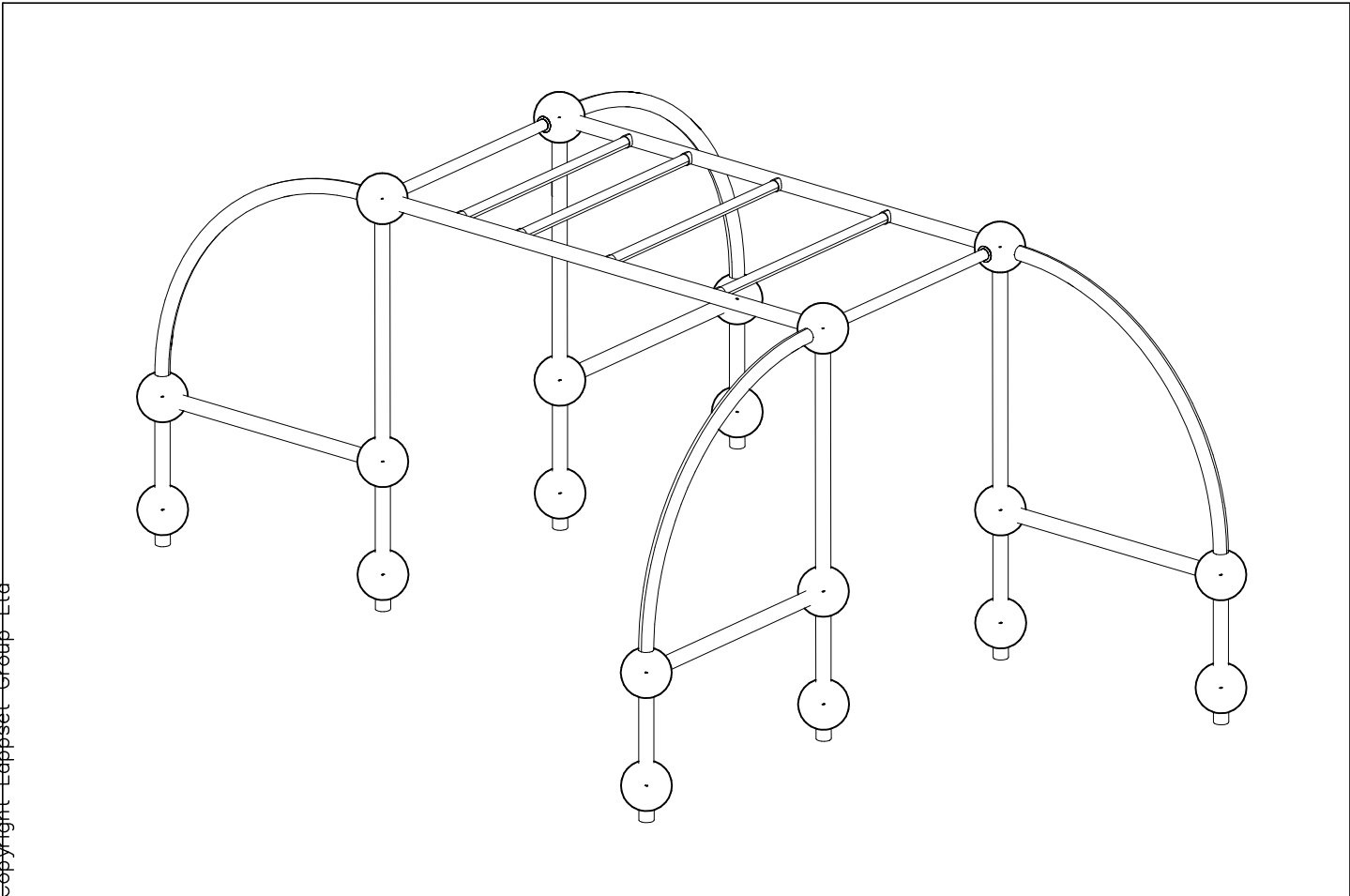
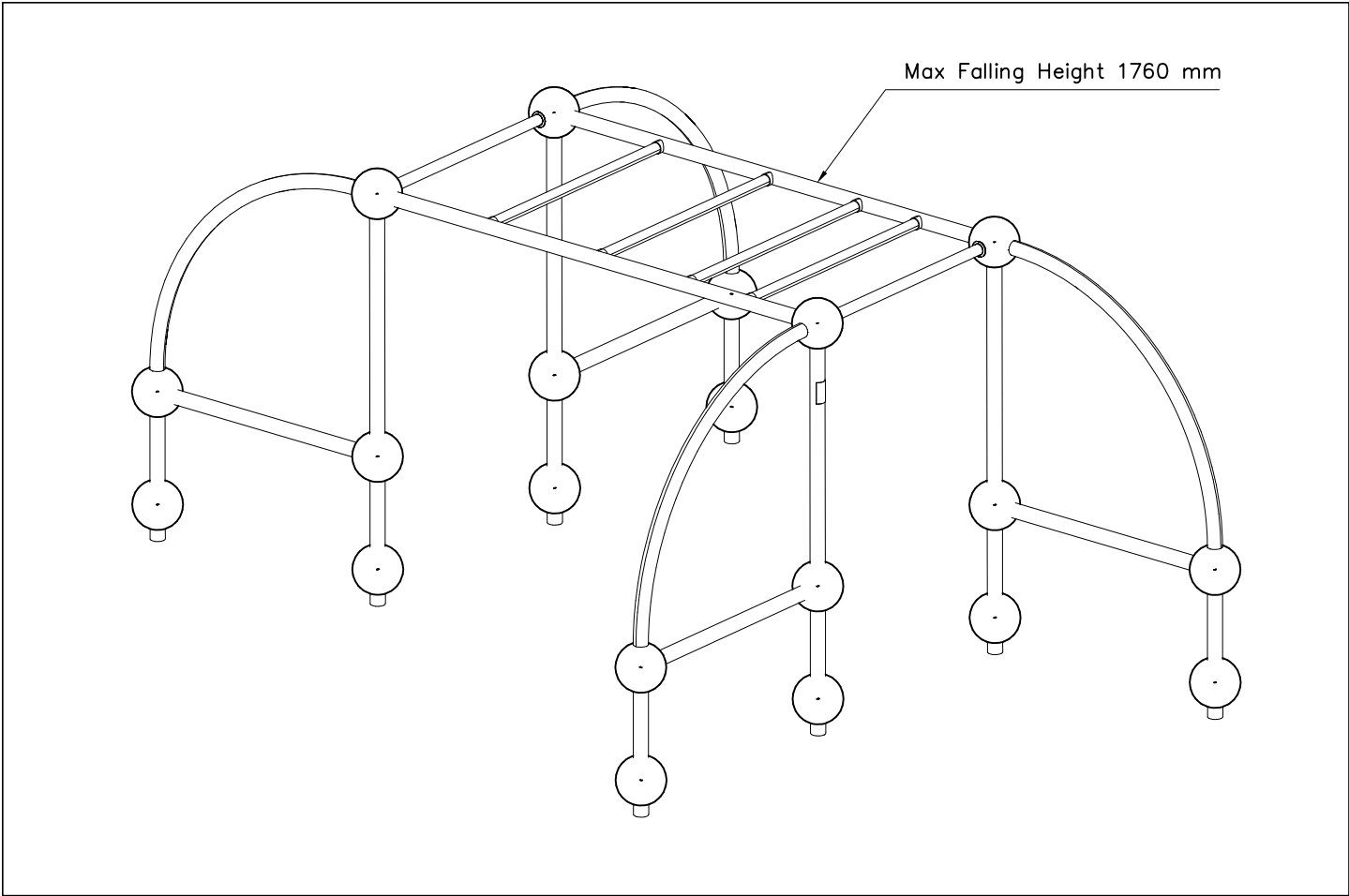












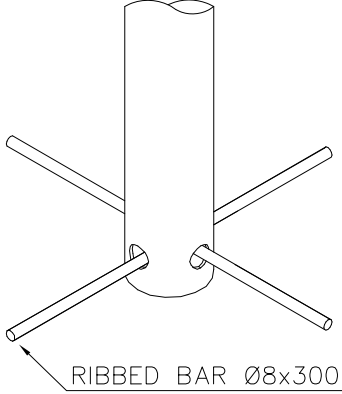
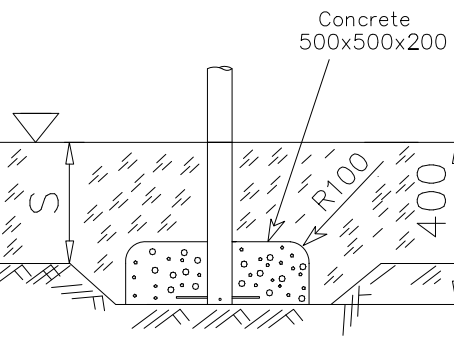
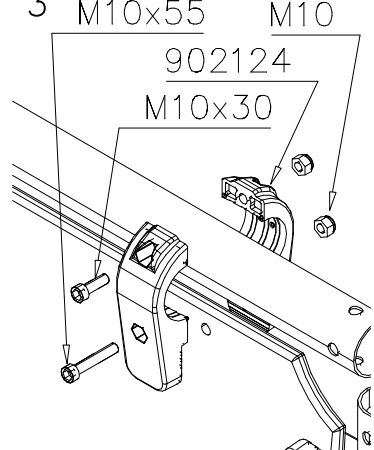
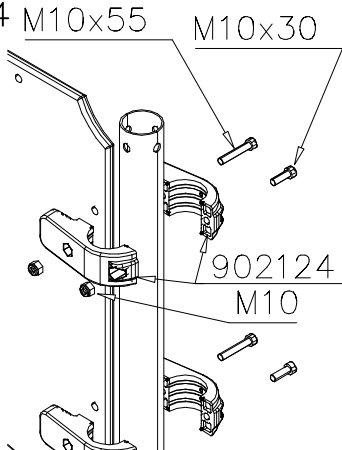
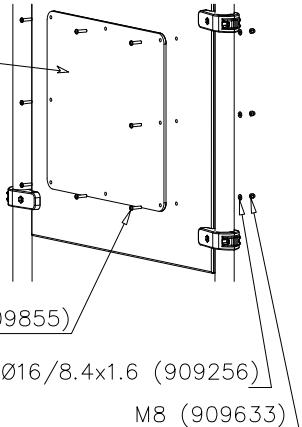
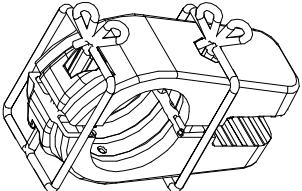
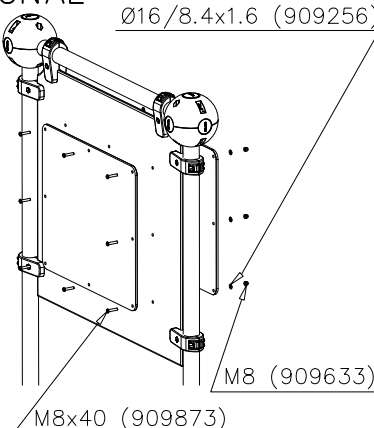
# LAPPSET PARKOUR

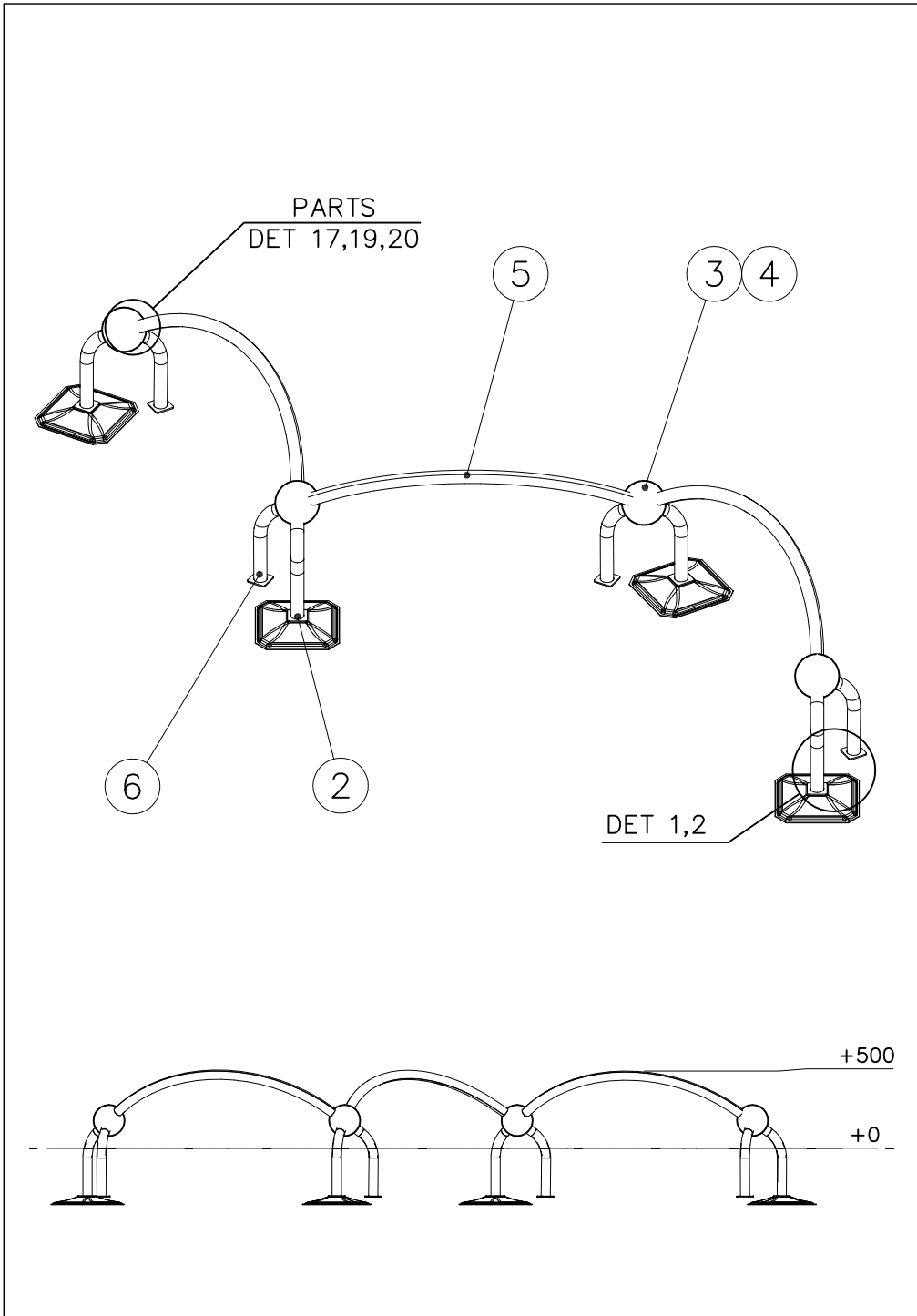
# 220590

DATE: 24.5.2018

# 1(2)

	<p>① 702341 PCS 1 90x50</p>	<p>② 704599 PCS 1 90x50</p>
	<p>③ 902134 PCS 2 150x50x50</p>	<p>④ 902157 PCS 8 60x60x2</p>
	<p>⑤ 902424 PCS 1 L 1034</p>	<p>⑥ 904130 PCS 2 L 2148</p>
	<p>⑦ 902124 PCS 12 150x50x50</p>	<p>⑧ 980161 PCS 12 M10</p>
	<p>⑨ 902232 PCS 6 M10x55</p>	<p>⑩ 902233 PCS 6 M10x30</p>
	<p>⑪ 704829 PCS 1 15x913x993</p>	<p>⑬ 909855 PCS 8 M8x35</p>
	<p>⑭ 909256 PCS 8 Ø16/8.4x1.6</p>	<p>⑮ 909633 PCS 8 M8</p>
	<p>⑯ 909873 PCS 8 M8x40</p>	<p>○ 704855-704866 PCS 1 NOT INCLUDED 8x560x640</p>

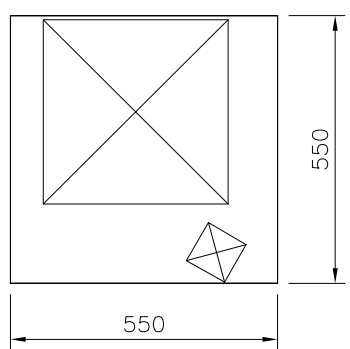
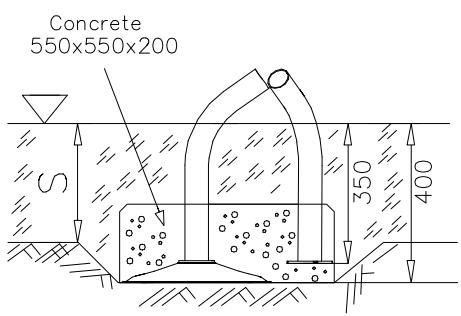
<p>DET 1</p>  <p>RIBBED BAR Ø8x300</p>	<p>DET 2</p>  <p>Concrete 500x500x200</p> <p>R100</p> <p>400</p>	<p>DET 3</p>  <p>M10x55 M10</p> <p>902124</p> <p>M10x30</p>
<p>DET 4</p>  <p>M10x55 M10x30</p> <p>902124</p> <p>M10</p>	<p>DET 5</p>  <p>NOTE: Various signs.</p> <p>HUOM: Useita erilaisia kylttejä.</p> <p>M8x35 (909855)</p> <p>Ø16/8.4x1.6 (909256)</p> <p>M8 (909633)</p>	 <p>NOTE: Use a wire marked pairs of the same junction.</p> <p>Huom! Käytä langalla merkittyä paria samassa liitoksessa.</p>
<p>OPTIONAL</p>  <p>Ø16/8.4x1.6 (909256)</p> <p>M8 (909633)</p> <p>M8x40 (909873)</p>		



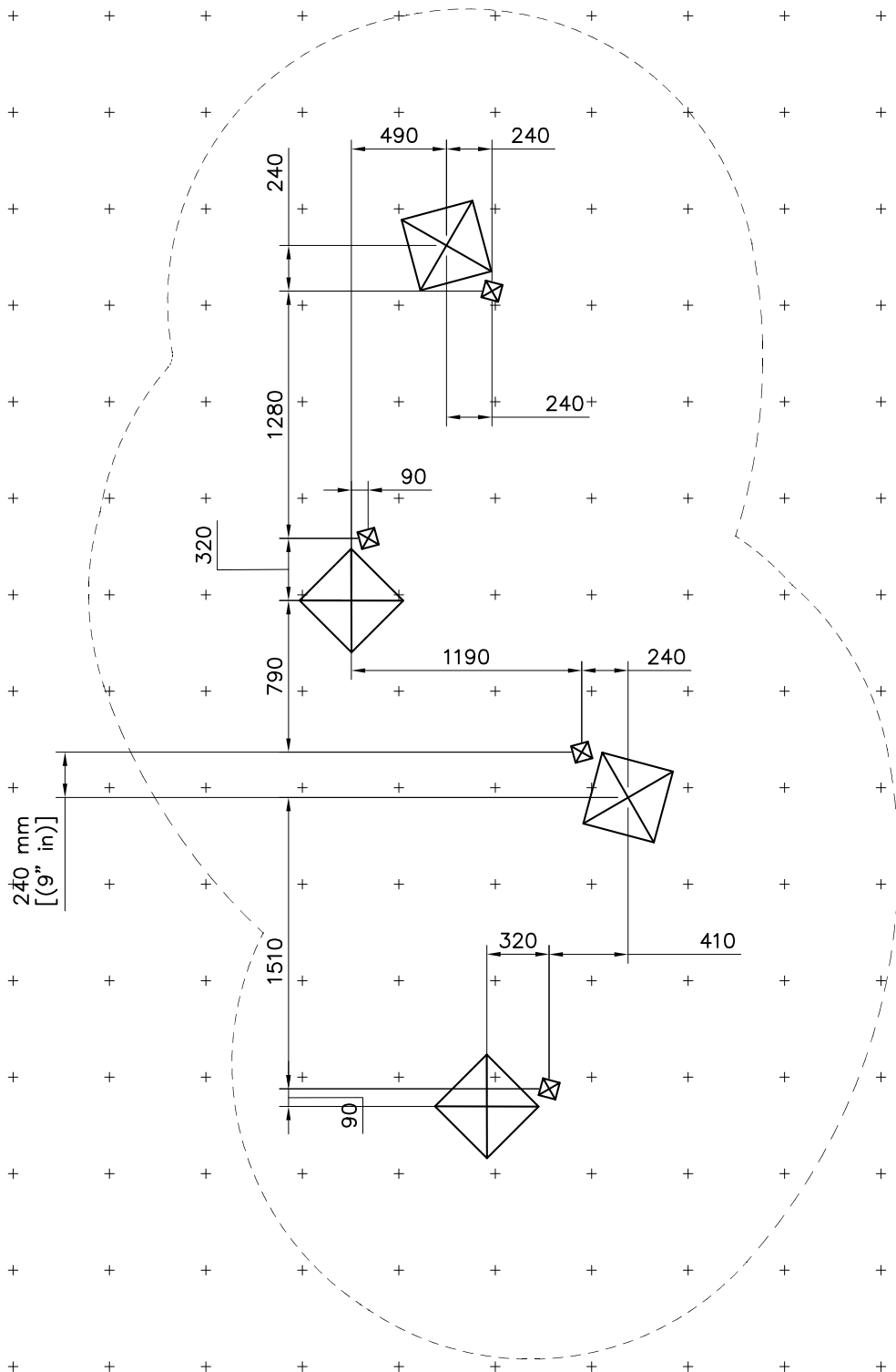
① 702341  90x50	PCS 1	② 703638  90x50	PCS 4
③ 902134  90x50	PCS 4	④ 904747  60x60x2	PCS 10
⑤ 902418 	PCS 3	⑥ 904146 	PCS 4
	PCS		PCS
	PCS		PCS
	PCS		PCS
	PCS		PCS
	PCS		PCS

DET 1

DET 2



----- Falling Space 21.3 m<sup>2</sup>  
 Max Falling Height 500 mm  
 Grid size = 500 mm.



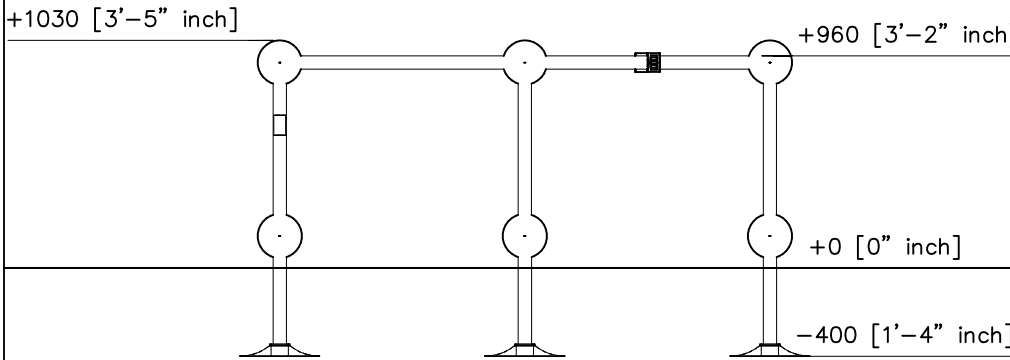
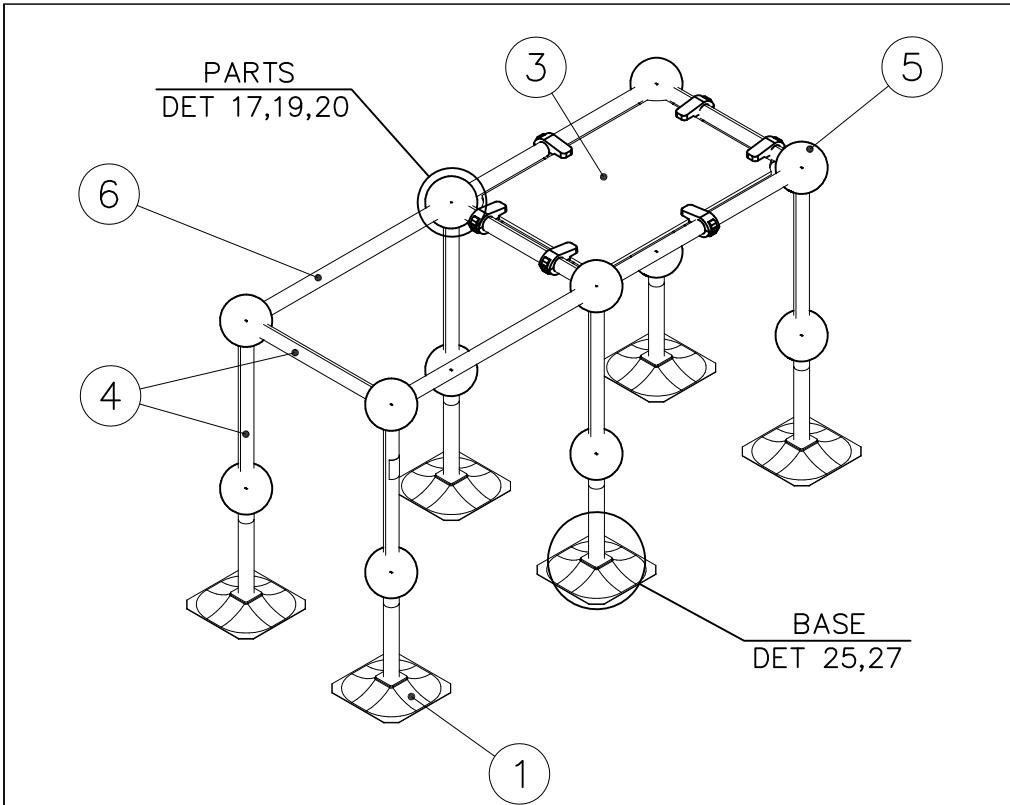
# LAPPSET®

## PARKOUR

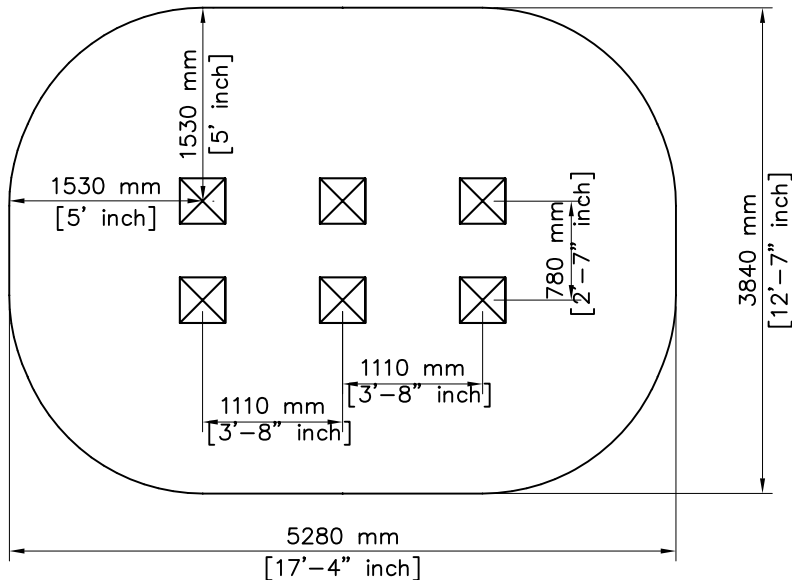
# 220545

DATE: 24.2.2015

# 1(1)



EN/AS Impact Area 18.2 m<sup>2</sup> (196 sq ft)  
 Falling Space Area 18.2 m<sup>2</sup> (196 sq ft)  
 Max Falling Height 960 mm (3'-2" in)



① 701985	PCS	② 702341	PCS
	6		1
		90x50	
③ 703486	PCS	④ 902022	PCS
	1		9
		L 710	
⑤ 902134	PCS	⑥ 902424	PCS
	12		4
		L 1034	
⑦ 904747	PCS		PCS
	40		
		60x60x2	
	PCS		PCS
	PCS		PCS
	PCS		PCS
	PCS		PCS

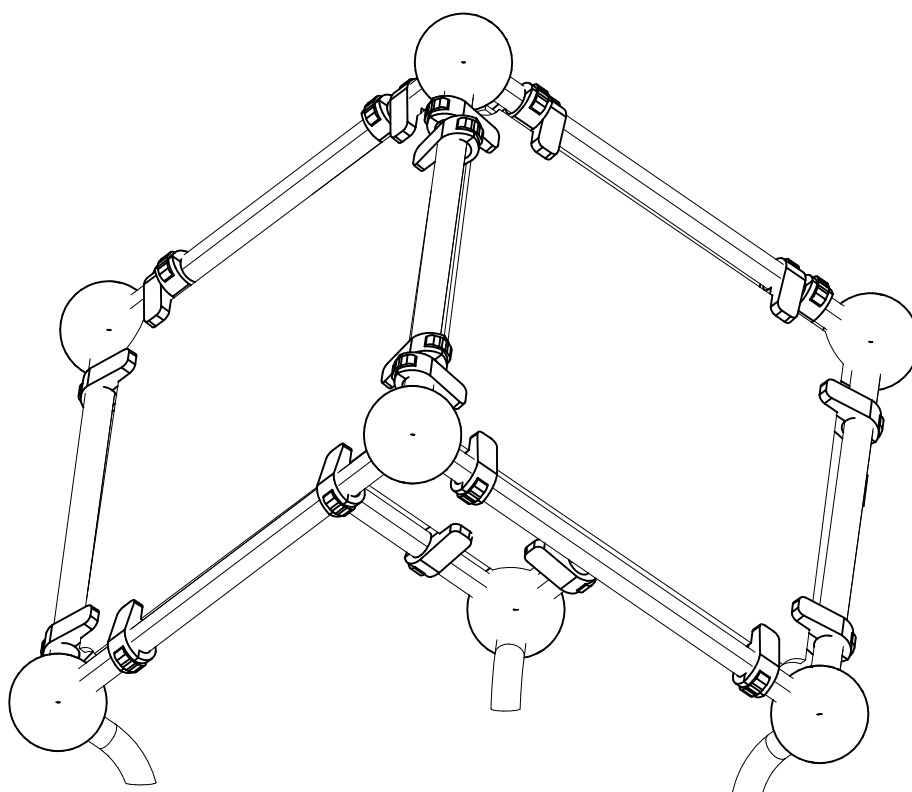
# **LAPPSET®**

## **PARKOUR**


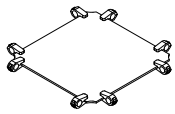

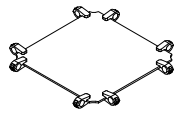

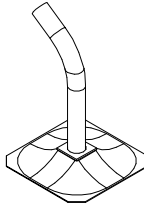

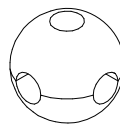

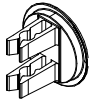
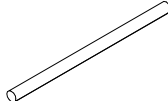
ASENNUSOHJE  
MONTERINGSANSVISNING  
INSTALLATION INSTRUCTION  
AUFBAUANLEITUNG  
NOTICE D'INSTALLATION

DATE: 21.03.2013

# **220530**

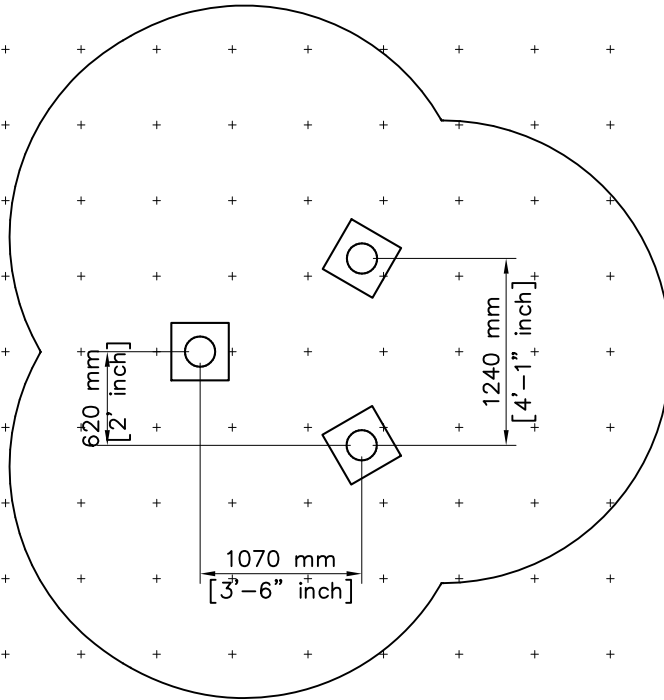
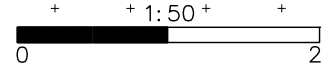


DATE: 21.03.2013

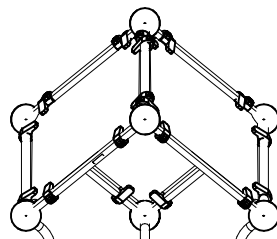
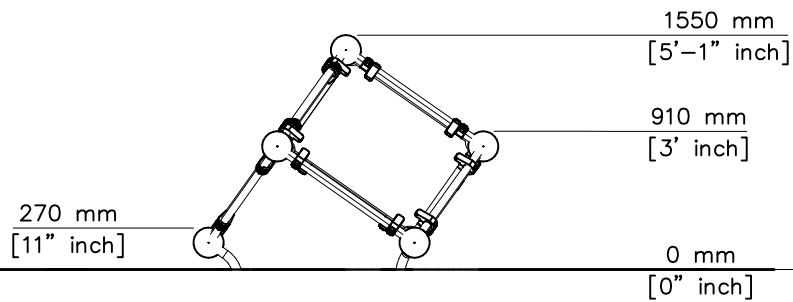
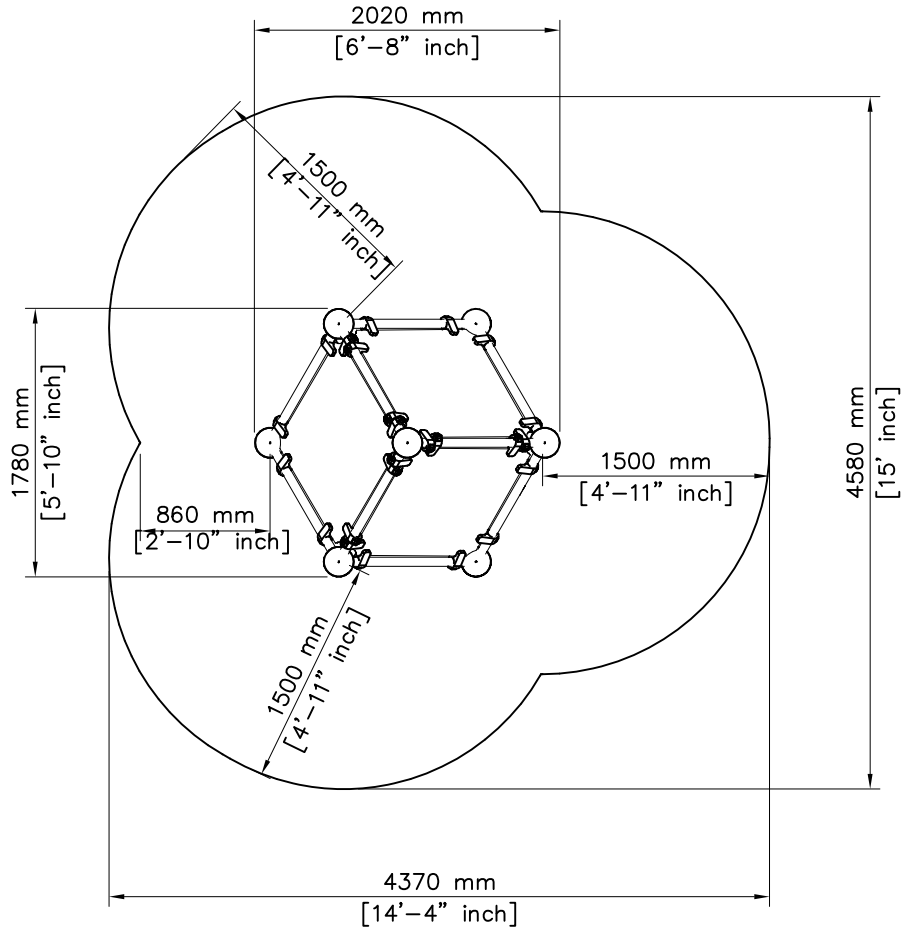
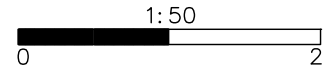
<p>702341</p> <p>PCS</p> <p>1</p>  <p>90x50</p>	<p>703456</p> <p>PCS</p> <p>2</p>  	<p>703459</p> <p>PCS</p> <p>1</p>  	<p>703638</p> <p>PCS</p> <p>3</p>  	<p>902134</p> <p>PCS</p> <p>7</p>  	<p>902157</p> <p>PCS</p> <p>21</p>  <p>60x60x2</p>
<p>902424</p> <p>PCS</p> <p>9</p>  <p>L 1034</p>					

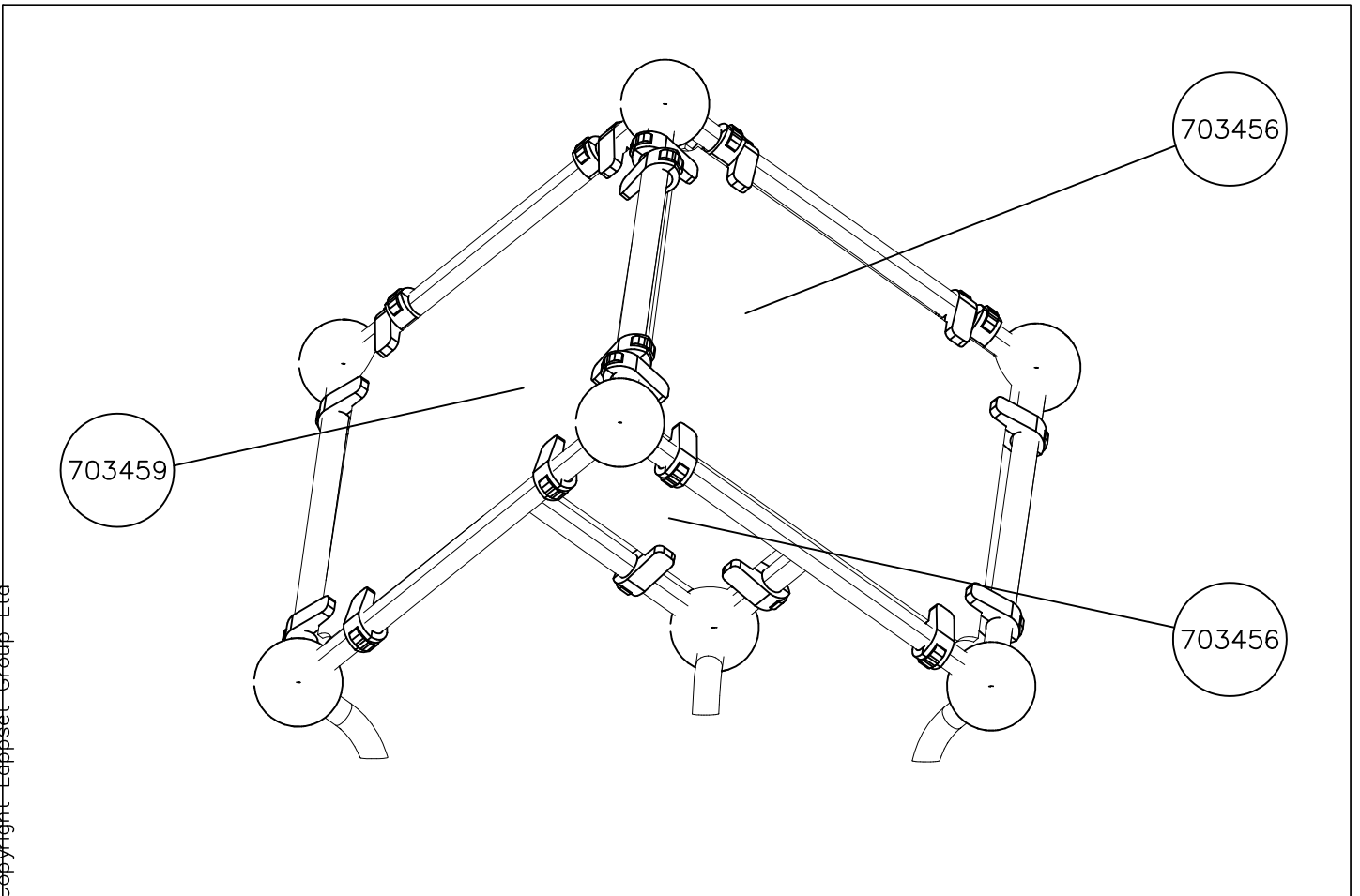
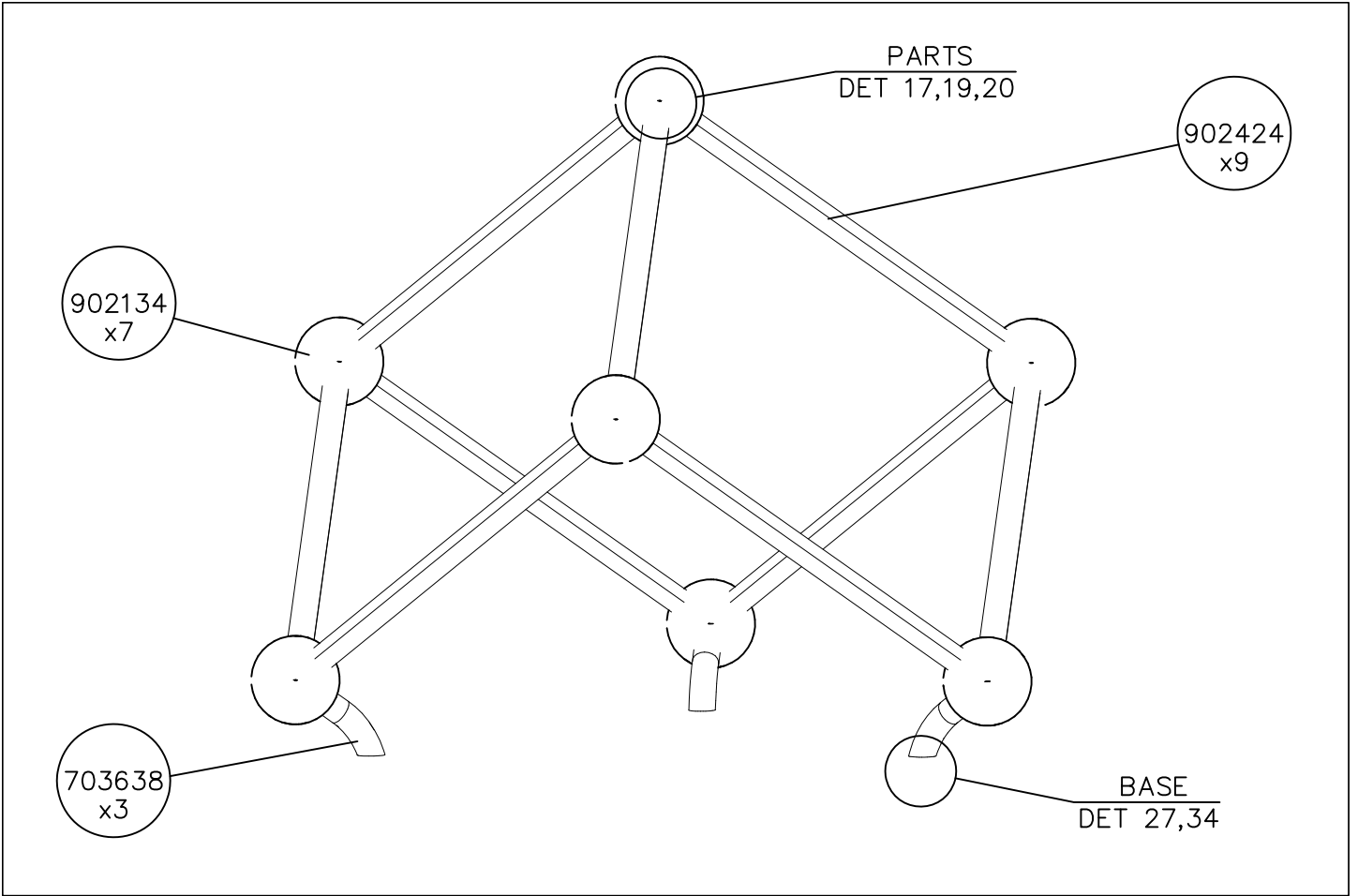


EN Impact Area 15 m<sup>2</sup> (161 sq ft)  
Grid size = 500 mm (20" in)

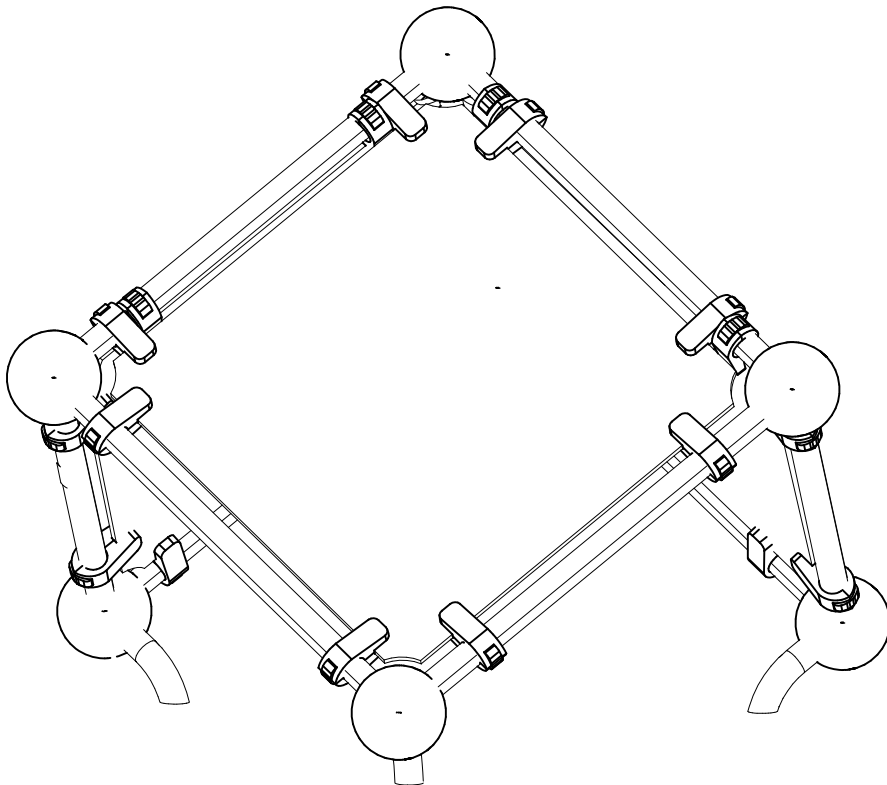
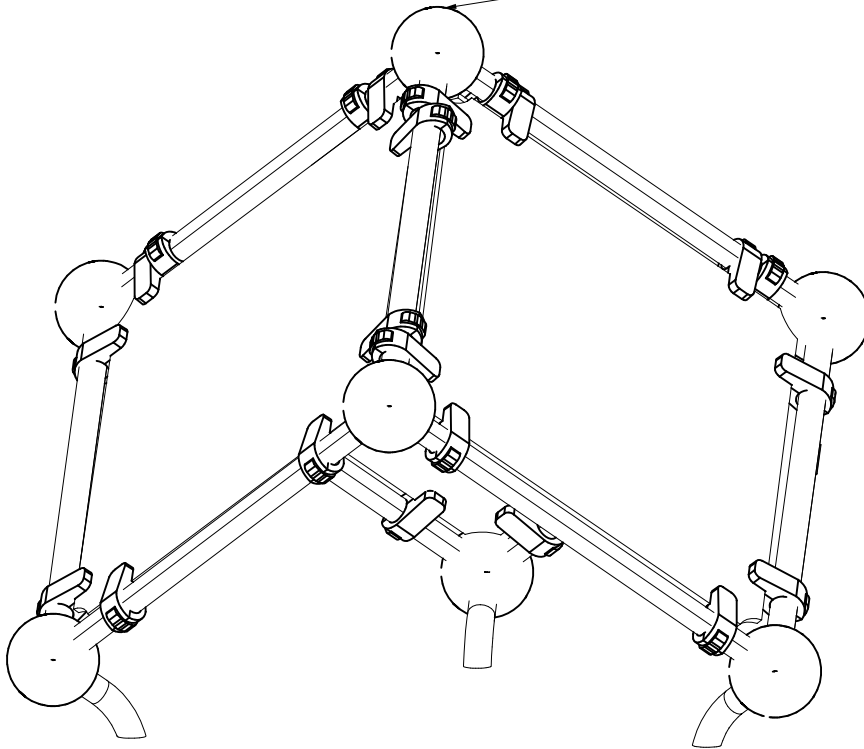


EN Impact Area 15 m<sup>2</sup> (161 sq ft)  
 Max falling height 1550 mm. (5'-1" in)





Max Falling Height 1550 mm

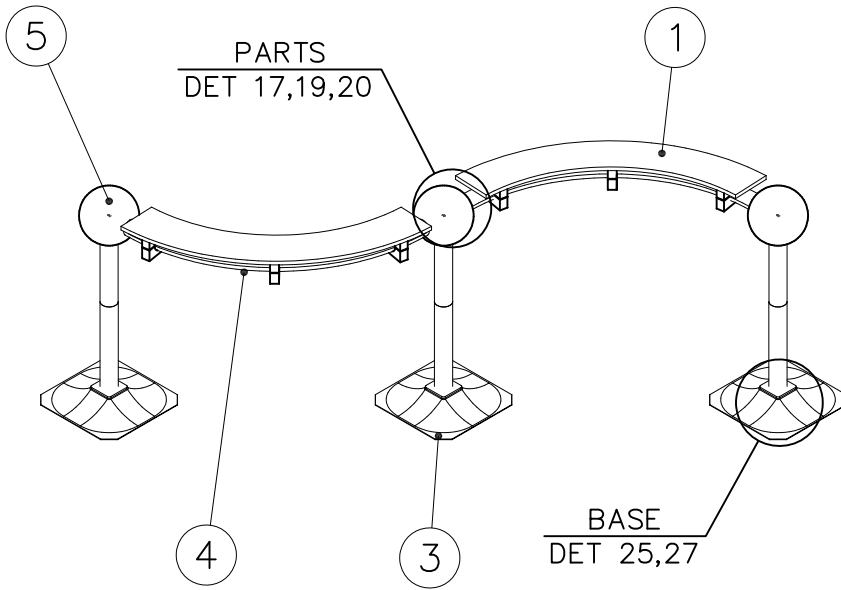


# LAPPSET® PARKOUR

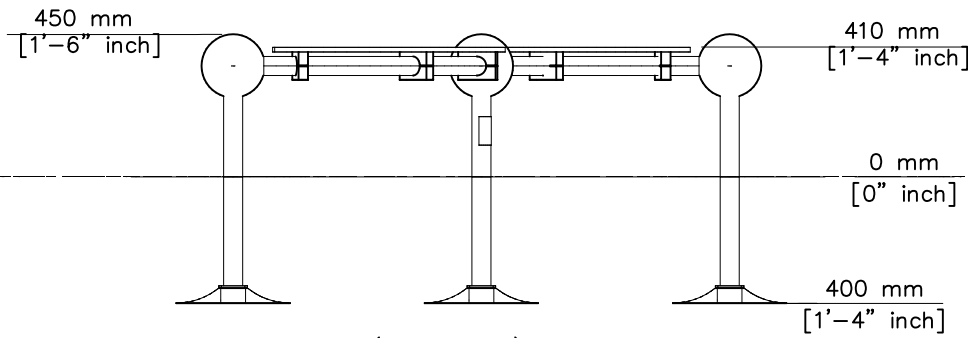
# 220542

DATE: 26.10.2021

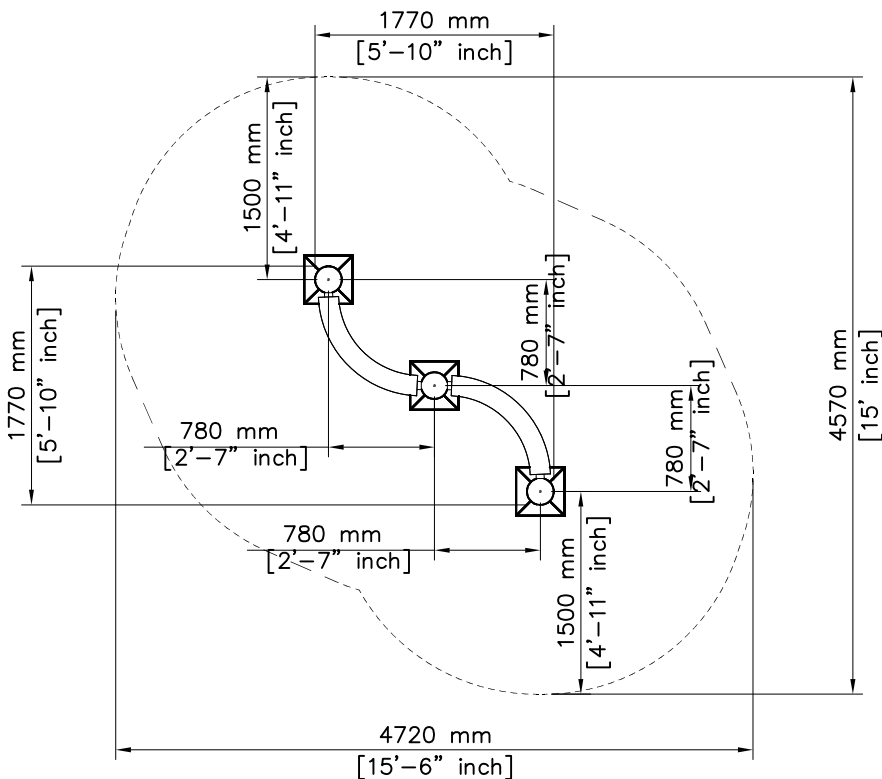
# 1(1)



① 702252	PCS	② 702341	PCS
	2	 90x50	1
③ 703460	PCS	④ 901941	PCS
	3		2
⑤ 902134	PCS	⑥ 902157	PCS
	3	 60x60x2	11
	PCS		PCS
	PCS		PCS
	PCS		PCS
	PCS		PCS
	PCS		PCS
	PCS		PCS



--- Falling Space 14.9 m<sup>2</sup> (161.4 sq ft)  
Max Falling Height 410 mm (1'-4" in)



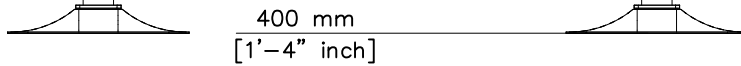
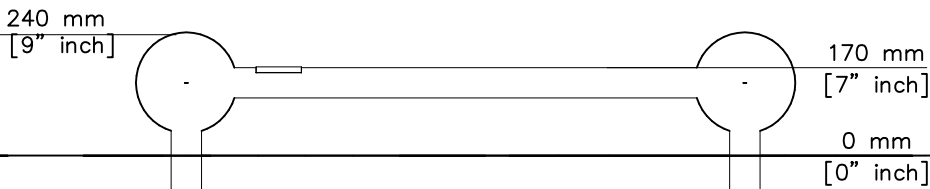
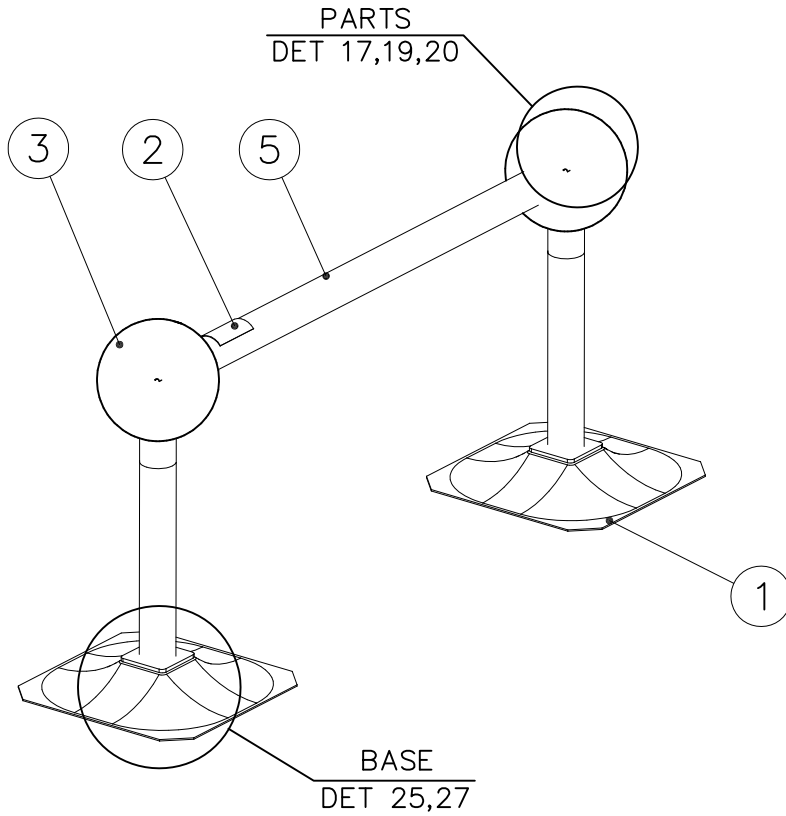
# LAPPSET®

## PARKOUR

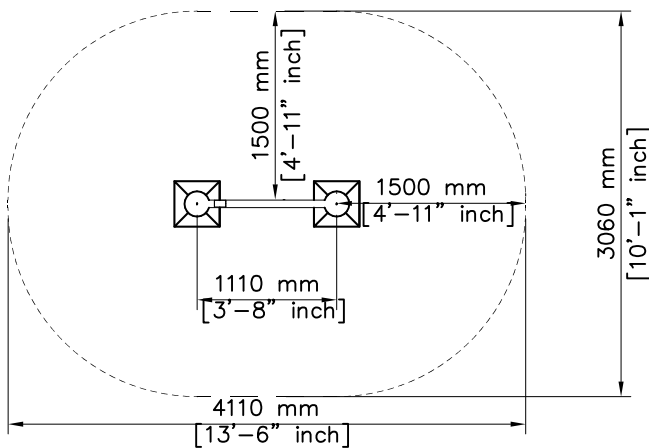
# 220540

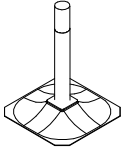

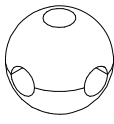
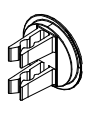
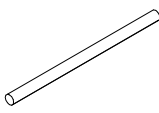
DATE: 22.3.2013

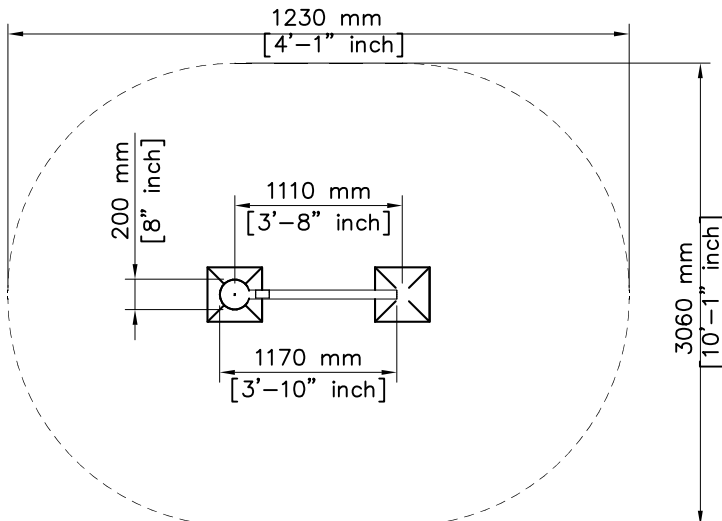
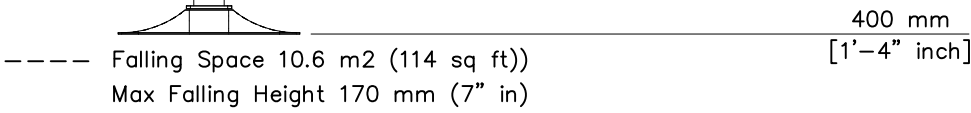
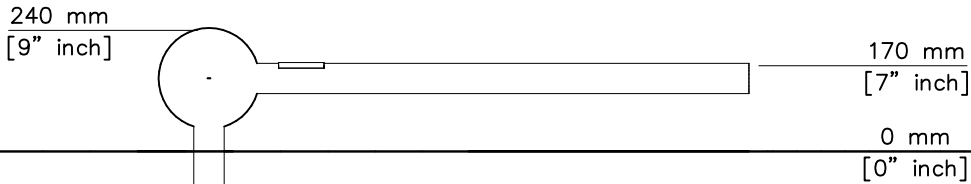
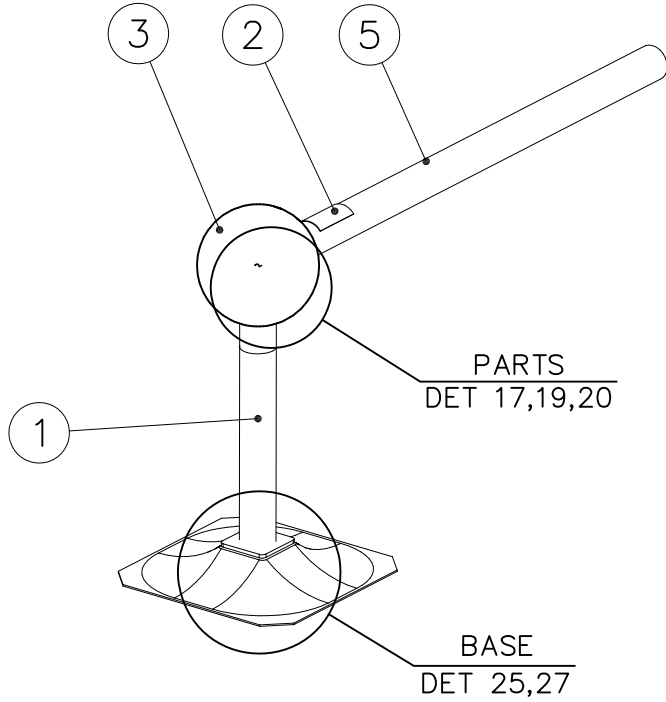
# 1(1)

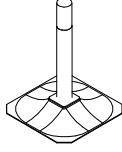


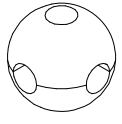

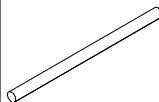


Falling Space 10.6 m<sup>2</sup> (114.1 sq ft)  
Max Falling Height 170mm (7" in)

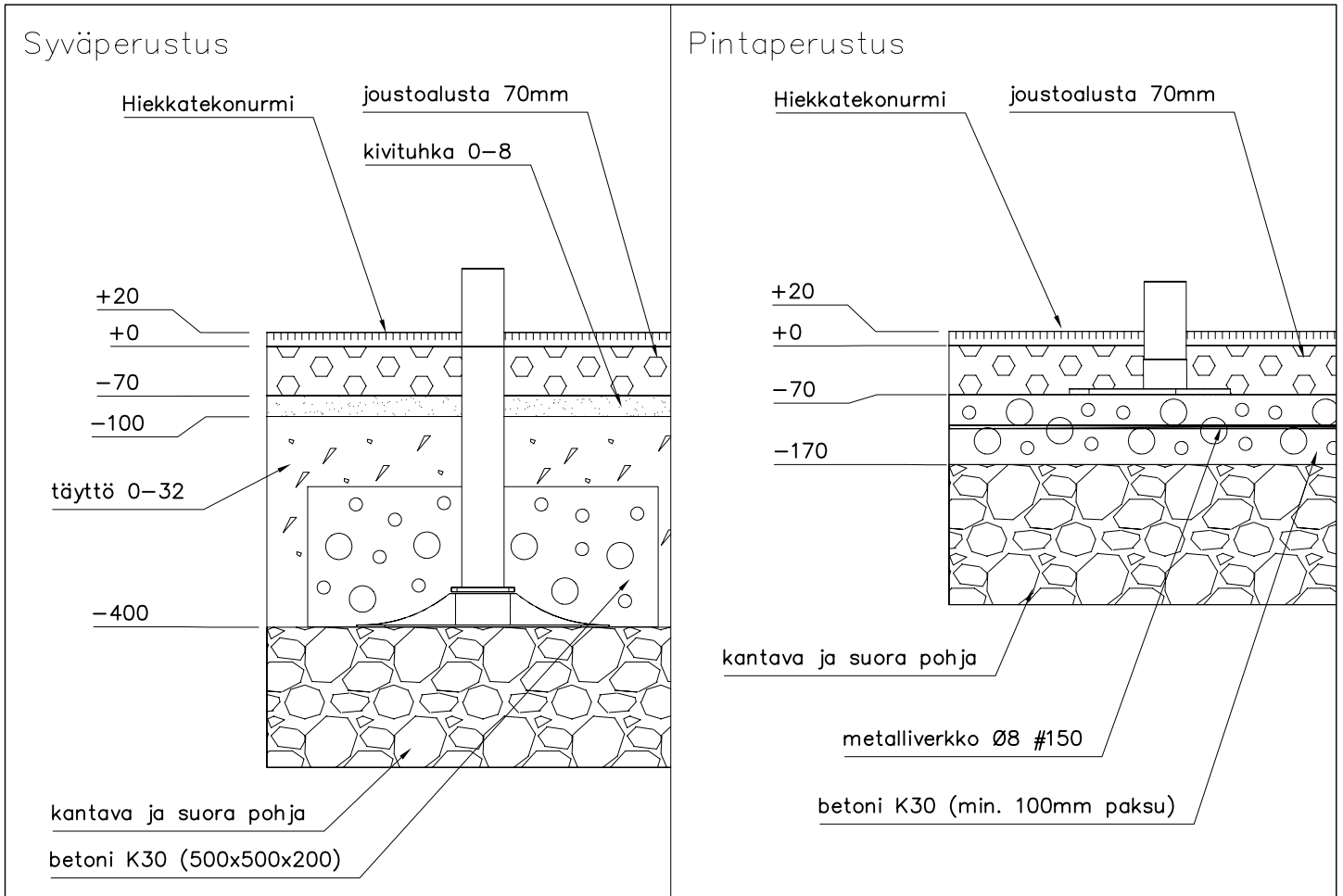


① 701985	PCS	② 702341	PCS
	2		1
		90x50	
③ 902134	PCS	④ 902157	PCS
	2		8
		60x60x2	
⑤ 902424	PCS		PCS
	1		
L 1034			
	PCS		PCS
	PCS		PCS
	PCS		PCS
	PCS		PCS
	PCS		PCS



① 701985	PCS	② 702341	PCS
	1		1
			
		90x50	
③ 902134	PCS	④ 902157	PCS
	1		4
		60x60x2	
⑤ 902424	PCS		PCS
	1		
L 1034			
	PCS		PCS
	PCS		PCS
	PCS		PCS
	PCS		PCS

DATE: 18.8.2011



**Syväperustus**

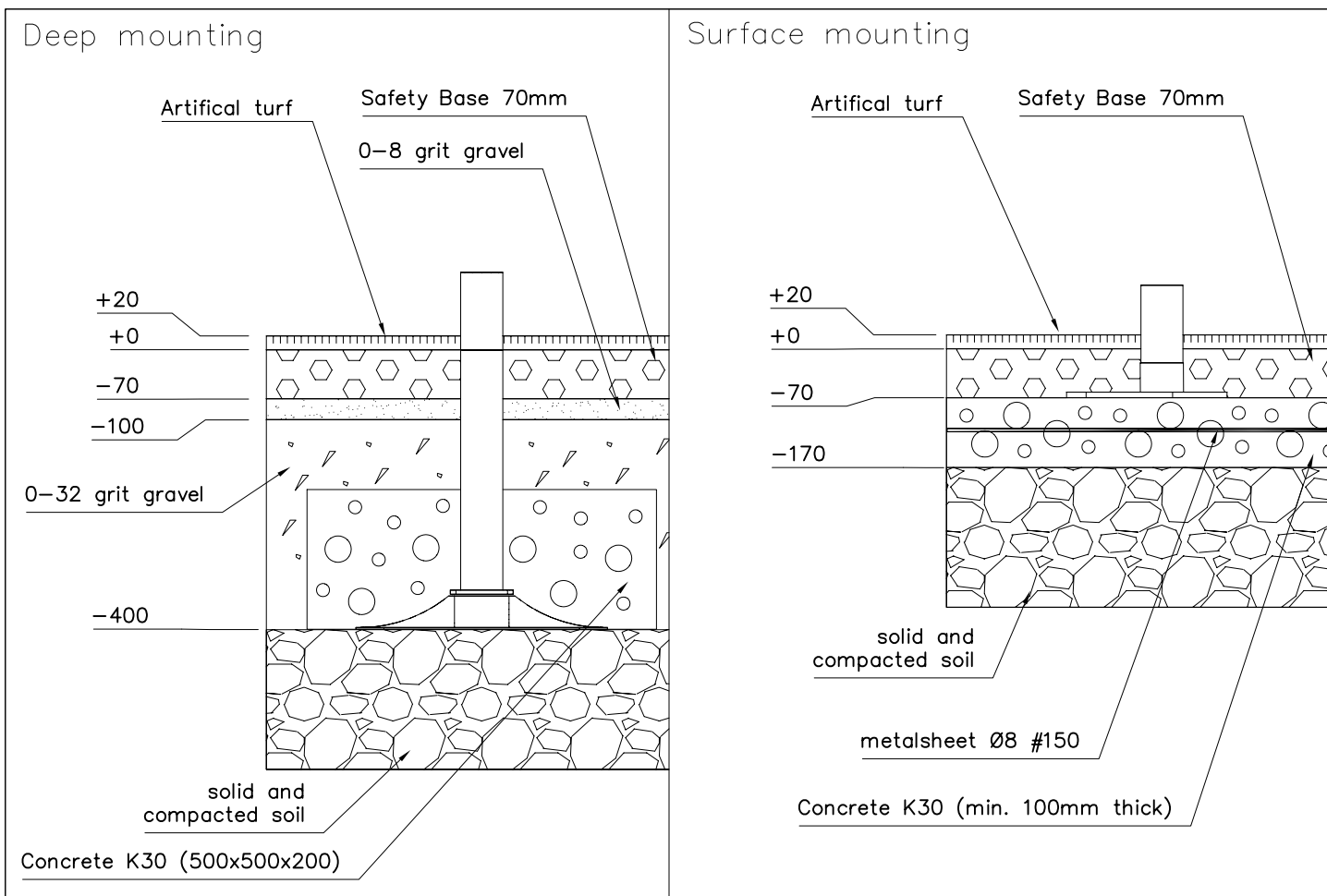
1. Kaivetaan 400mm syvä kaivanto pinnan korosta. Jotkin välineet tarvitsevat syvämmän kaivannon (katso tuotteiden asennusohjeet).  
Huom! Kantava ja suora perustusten pohja.
2. Asennetaan välineet.
3. Valetaan betonit. Jotkin välineet voivat vaatia isomman valun, katso yksittäisten tuotteiden asennusohjeet.
4. Täytetään 0-32 oikeaan korkoon.
5. Tiivistetään täyttö.
6. Täytetään kivituhkalla (0-8) n.30mm kerros jonka jälkeen tasoitetaan ja tiivistetään hyvin.(+/-10mm/4m oikolauta)
7. Tämän jälkeen asennetaan nurmi (katso asennusohje).

**Pintaperustus**

1. Kaivetaan 170mm syvä kaivanto pinnan korosta.  
Huom! Kantava ja suora perustusten pohja.
2. Valetaan betonilaatta (min. 100mm paksu). Koko riippuu kentän koosta (S,M,L).
3. Asennetaan välineet.
4. Asennetaan joustopalat ohjeen mukaisesti (katso asennusohje).
5. Tämän jälkeen asennetaan nurmi (katso asennusohje).



DATE: 18.8.2011



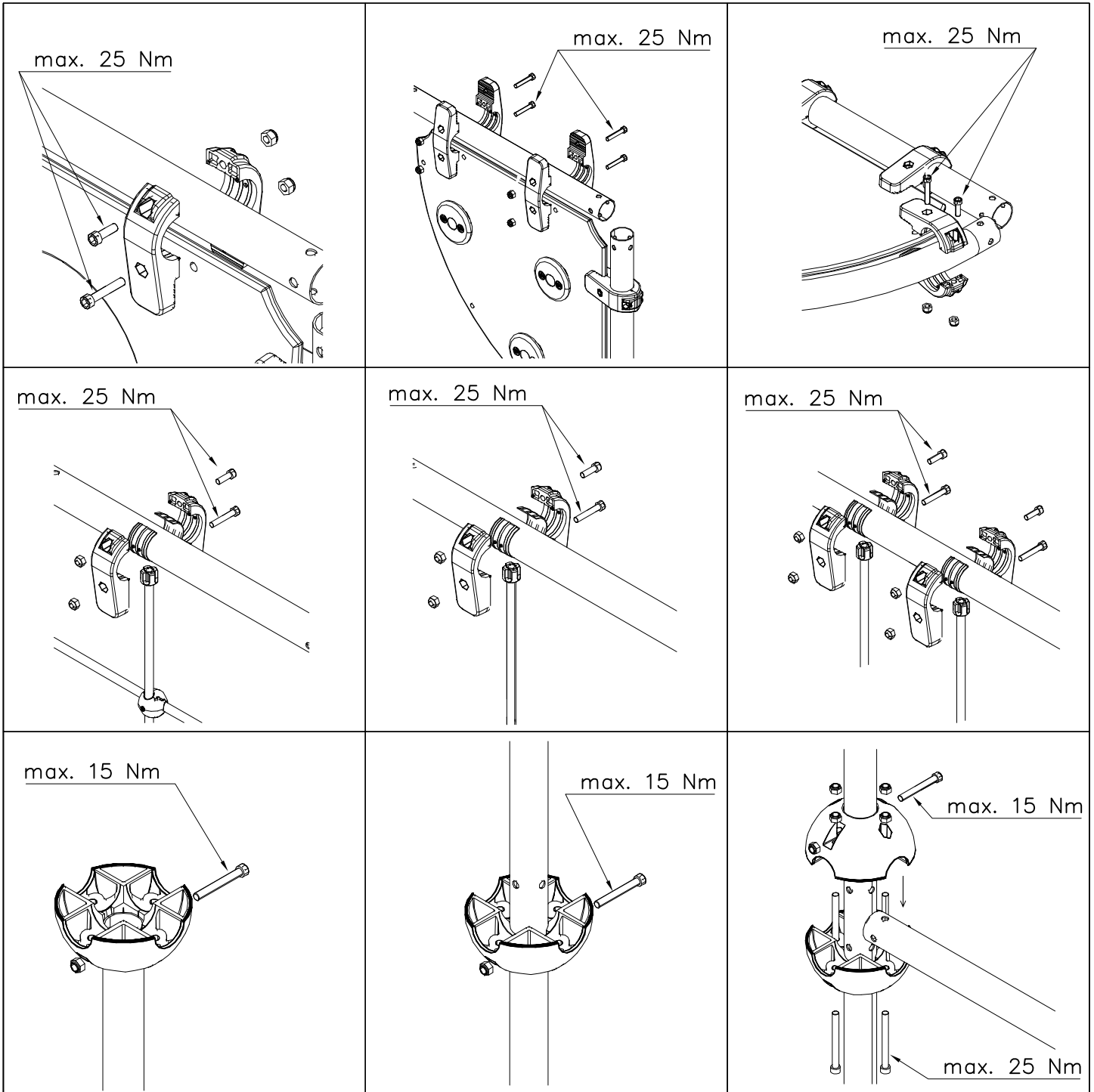
**Deep mounting**

1. Start by digging 400 mm deep excavation. Some equipment may need more depth, see assembly instructions for individual equipment.
2. Assemble the equipment according to assembly instructions.
3. Make concrete blocks. Some equipment may need bigger block, see assembly instructions.
4. Fill with 0–32 grit to correct level.
5. Compact the layer.
6. Spread 30 mm thick layer using grit 0–8 gravel. Compact and level it thoroughly. (+/-10mm/4m)
7. Assemble the safety base according to assembly instructions.
8. Assemble the turf according to assembly instructions.

NOTE: Also the soil below the starting level (-400) needs to be solid and compact.

**Surface mounting**

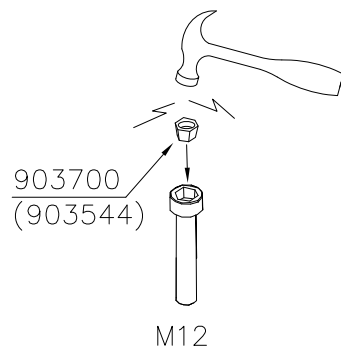
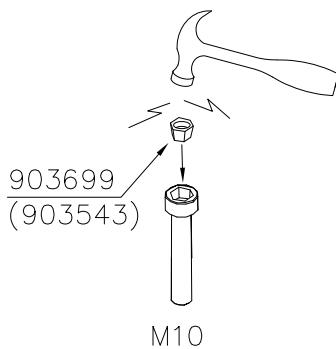
1. Start by digging 170 mm deep excavation.
2. Make concrete plate, see illustration (min. 100mm thick). Size depends on the size of the Parkour field (S,M,L).
3. Assemble the equipment according to assembly instructions.
4. Assemble the safety base according to assembly instructions.
5. Assemble the turf according to assembly instructions.



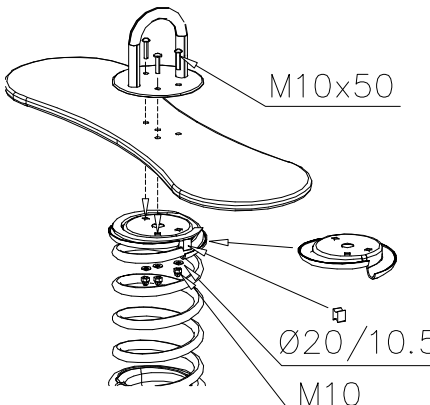
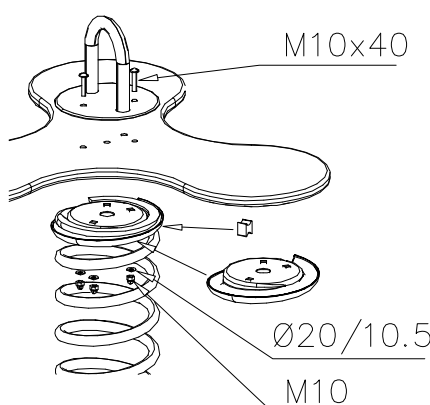
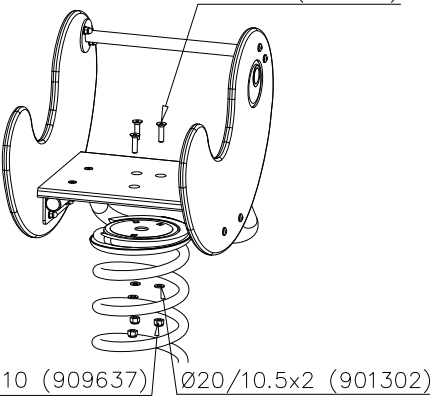
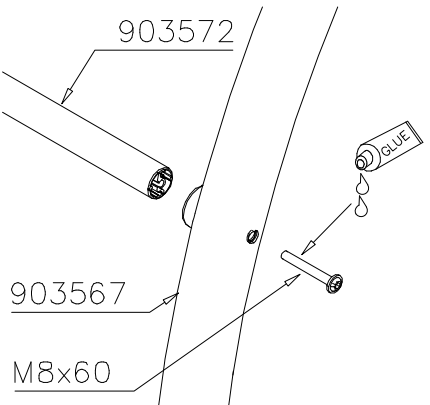
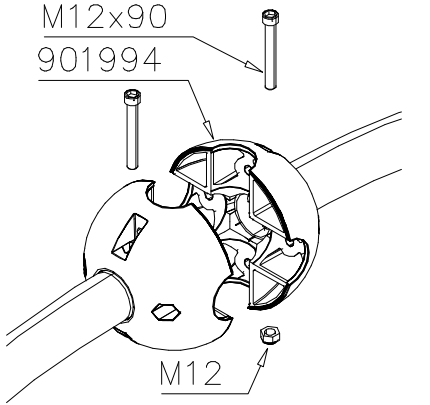
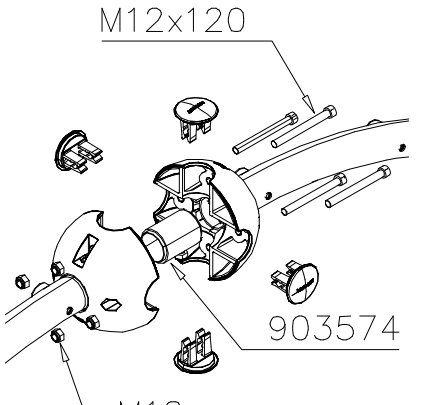
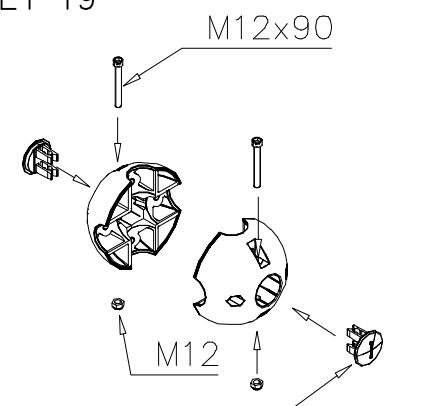
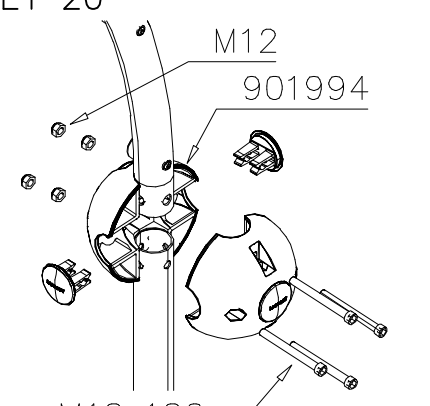
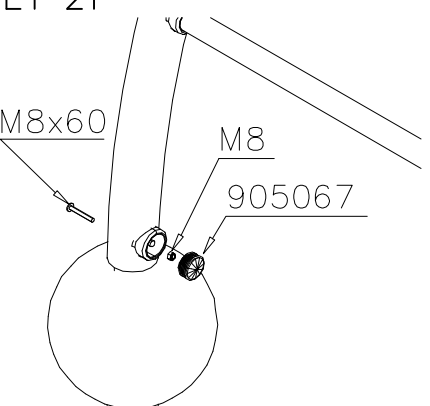
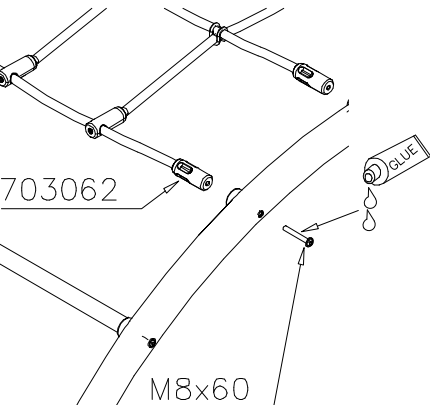

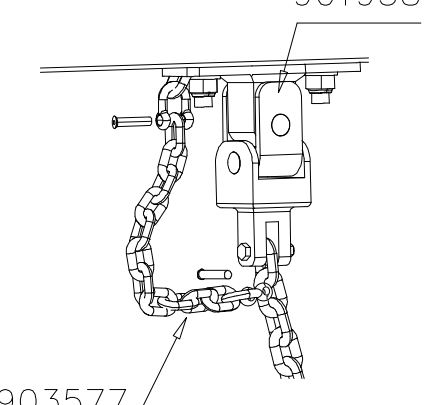
Security plugs are included only for selected products.

Hox!  
Pultit on kiristettävä lopulliseen kireyteen, ennen turvapinnien asennusta.

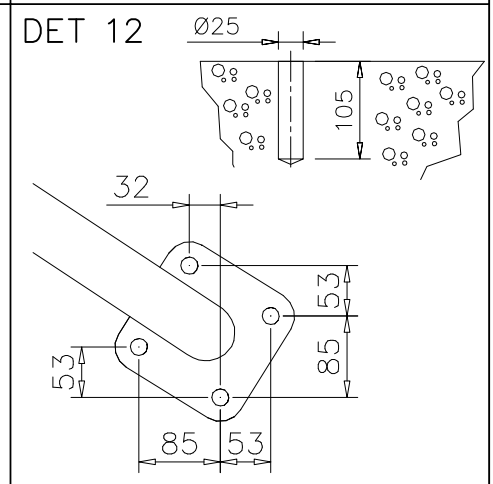
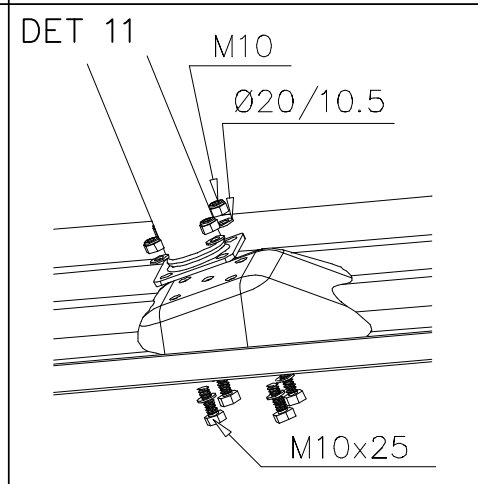
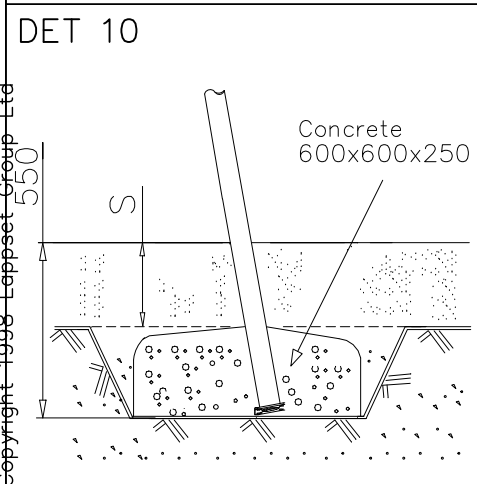
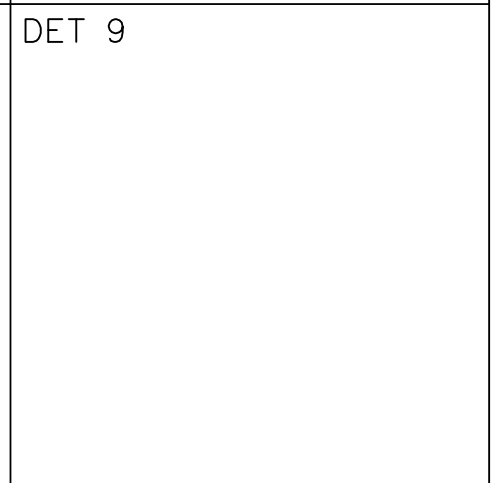
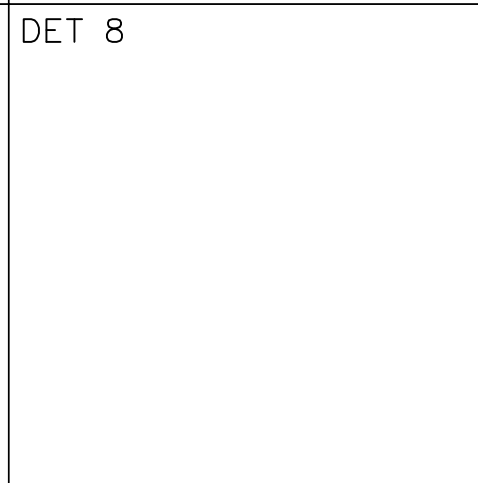
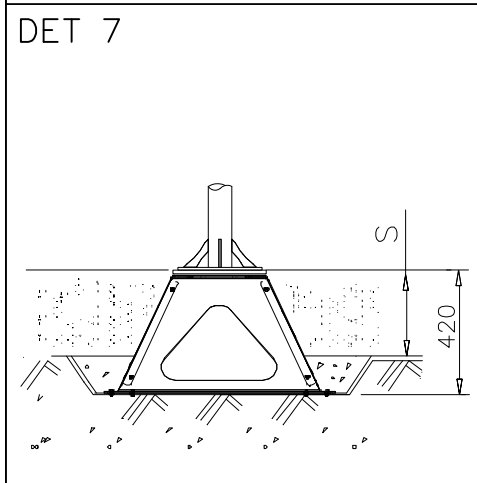
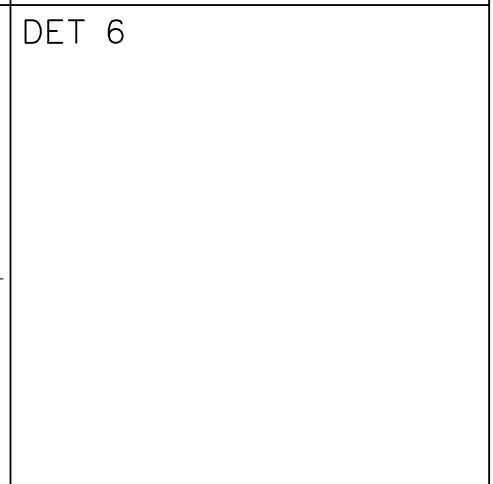
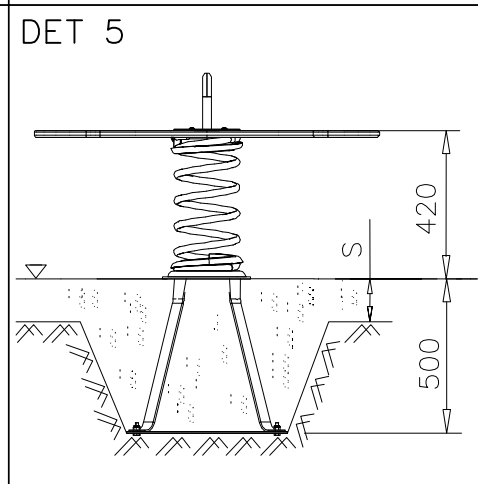
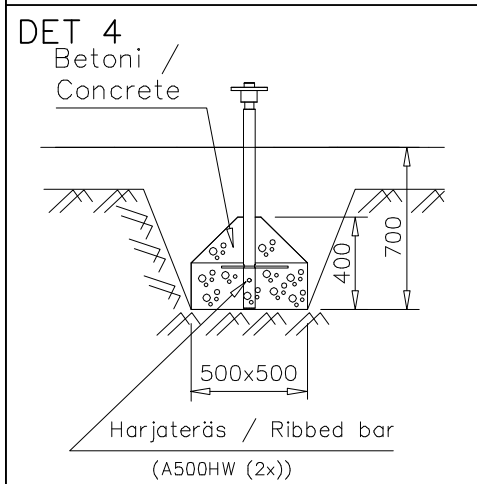
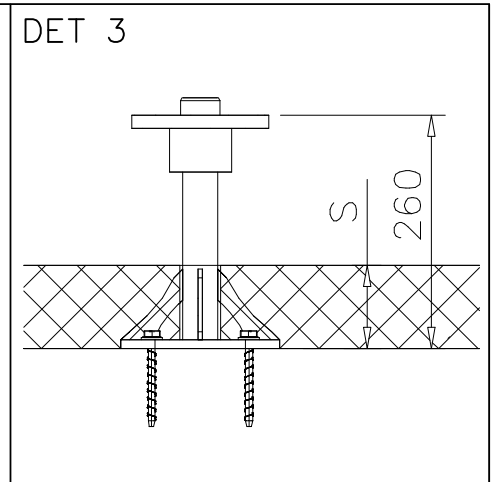
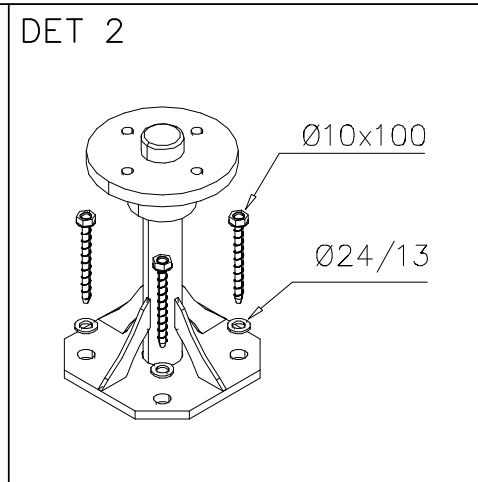
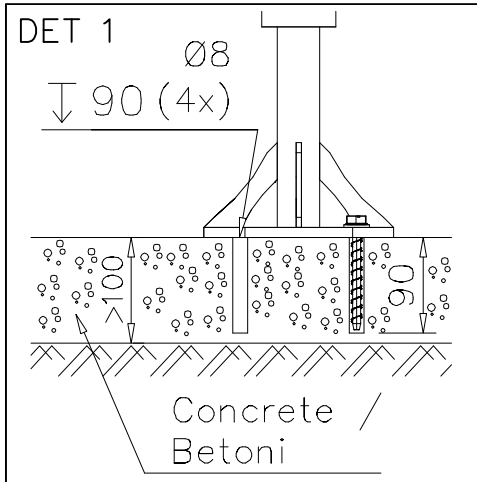
Note!  
Tighten bolts properly, before installing security plugs.



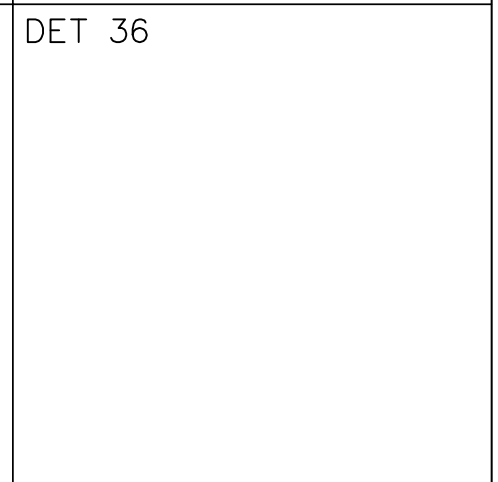
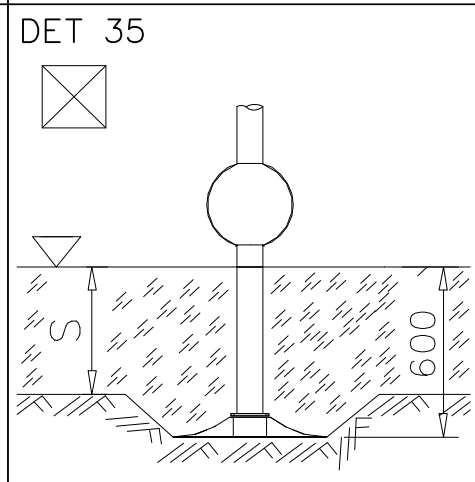
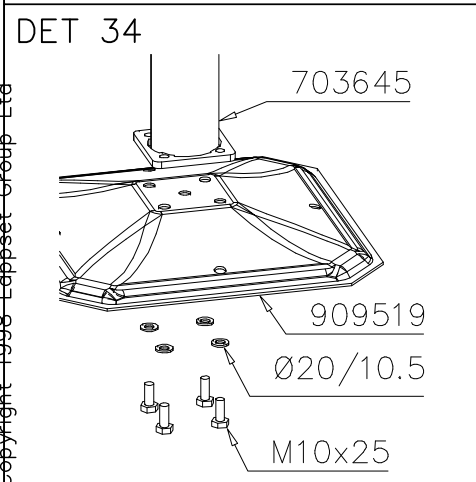
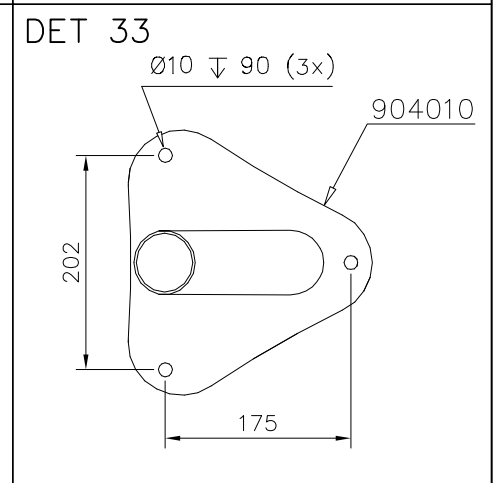
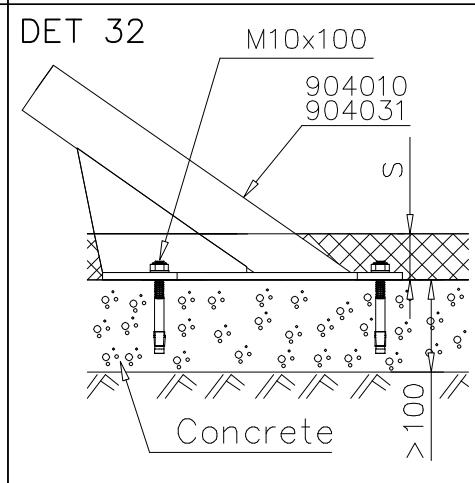
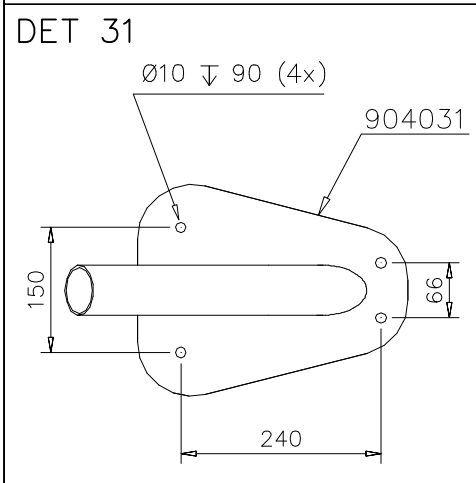
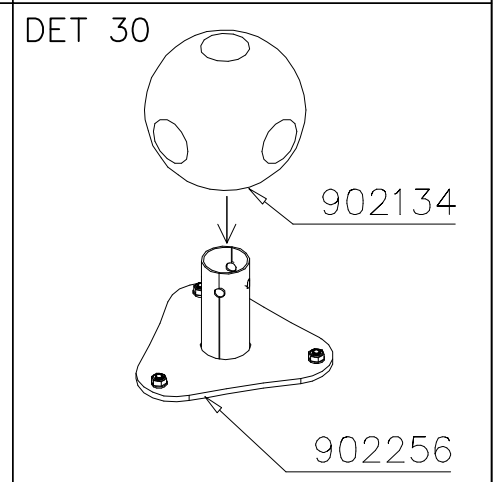
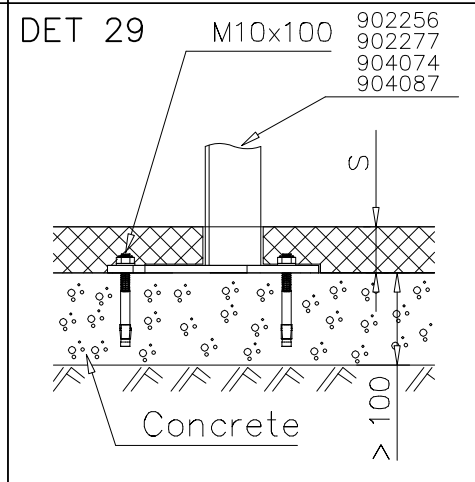
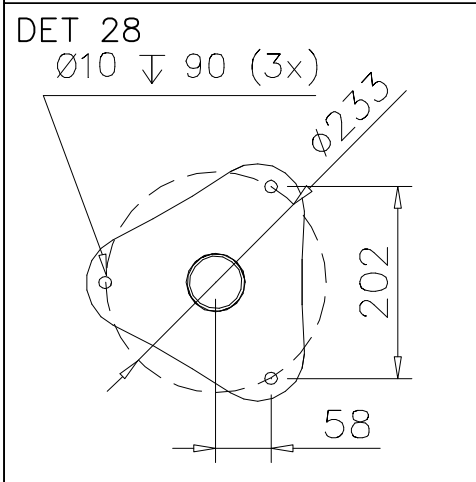
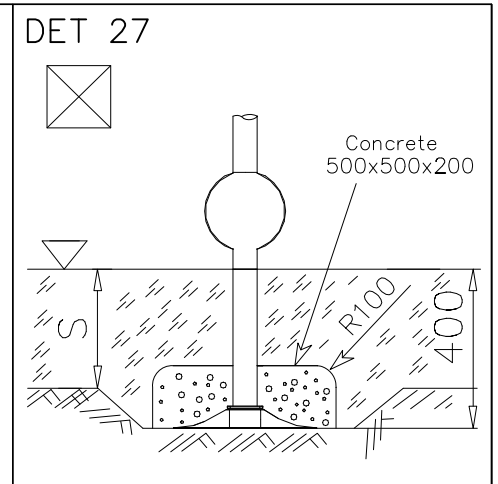
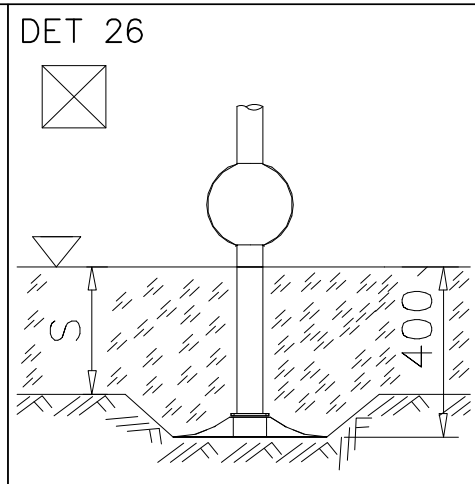
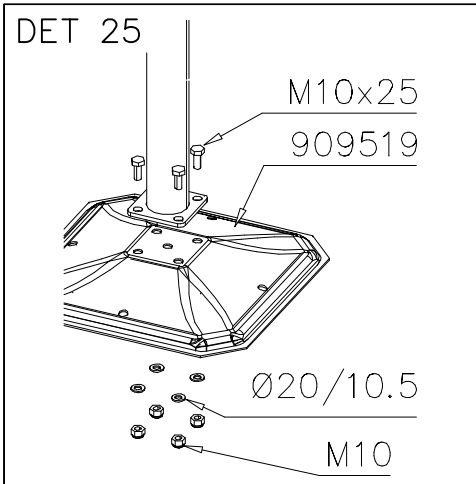
<p>DET 1</p> <p>M8x50</p> <p>702845</p> <p>M8</p>	<p>DET 2</p> <p>M8x60 902625</p> <p>702845</p> <p>M8</p>	<p>DET 3</p>
<p>DET 4</p> <p>CUT EXTRA CHAIN</p>	<p>DET 5</p> <p>90Nm</p> <p>M12x110</p> <p>Ø24/13</p> <p>901958</p> <p>M8x35</p> <p>Ø24/13</p> <p>M12 NYLOC</p> <p>M8</p> <p>CUT EXTRA CHAIN</p>	<p>DET 6</p> <p>M12x120</p> <p>Ø24/12</p> <p>904801</p> <p>907621</p> <p>901958</p> <p>M8x35</p> <p>Ø24/13</p> <p>M12 NYLOC</p> <p>M8</p> <p>CUT EXTRA CHAIN</p>
<p>DET 7</p> <p>M12x40</p> <p>M12</p> <p>902012</p>	<p>DET 8</p> <p>NOTE: Aluminum thread fasten carefully.</p> <p>903388</p> <p>M8x30</p>	<p>DET 9</p> <p>NOTE: Aluminum thread fasten carefully.</p> <p>702850</p> <p>M8x30</p> <p>903388</p>
<p>DET 10</p> <p>902623</p> <p>M8</p> <p>Ø16/8.4</p> <p>Ø16/8.4</p> <p>M8x30</p>	<p>DET 11</p> <p>M8x30</p> <p>Ø16/8.4</p> <p>M8</p>	<p>DET 12</p> <p>902624</p> <p>M8</p>

<p>DET 13</p>  <p>M10x50</p> <p>Ø20/10.5</p> <p>M10</p>	<p>DET 14</p>  <p>M10x40</p> <p>Ø20/10.5</p> <p>M10</p>	<p>DET 15</p>  <p>M10x40 (901487)</p> <p>M10 (909637)</p> <p>Ø20/10.5x2 (901302)</p>
<p>DET 16</p>  <p>903572</p> <p>903567</p> <p>M8x60</p> <p>GLUE</p>	<p>DET 17</p>  <p>M12x90 901994</p> <p>M12</p>	<p>DET 18</p>  <p>M12x120</p> <p>903574</p> <p>M12</p>
<p>DET 19</p>  <p>M12x90</p> <p>M12</p> <p>902157</p>	<p>DET 20</p>  <p>M12</p> <p>901994</p> <p>M12x120</p>	<p>DET 21</p>  <p>M8x60</p> <p>M8</p> <p>905067</p>
<p>DET 22</p>  <p>703062</p> <p>M8x60</p> <p>GLUE</p>	<p>DET 23</p> 	<p>DET 24</p>  <p>901958</p> <p>903577</p>

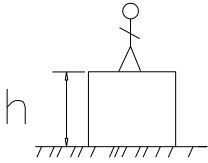



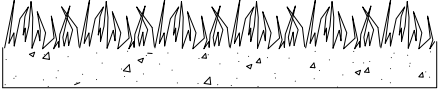
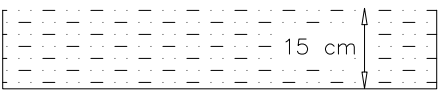
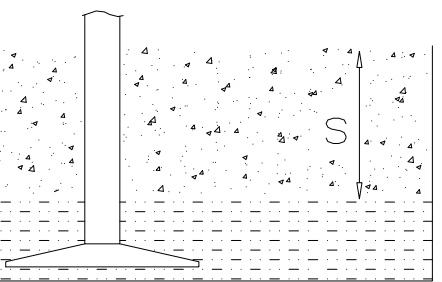
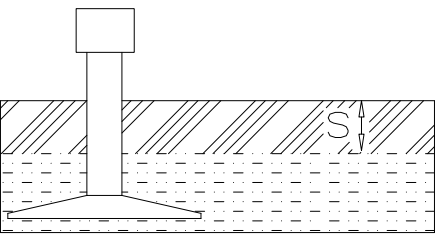
<p>DET 25-26</p> <p>M12x120</p> <p>904100</p> <p>904015</p> <p>904102</p> <p>Kun putken pää osuu adapterin kynsiin, adapteri tiukentuu paikoilleen.</p>	<p>Asennusjärjestys:</p> <ol style="list-style-type: none"> <li>1) Pallo kiinni</li> <li>2) Adapteri sisään</li> <li>3) putki sisään ja lopuksi pallon lopullinen kiristys.</li> </ol> <p>Installation order:</p> <ol style="list-style-type: none"> <li>1) Close the ball</li> <li>2) Insert adapter</li> <li>3) Insert tube and tighten screws.</li> </ol>	<p>DET 27</p> <p>904103</p> <p>Ø18/10</p> <p>M10x80</p>
<p>DET 28</p> <p>906621</p> <p>M12x35 (909347)</p> <p>M12</p> <p>906620</p> <p>Ø24/13</p> <p>M12x30 (903149)</p> <p>M12 → 60 Nm</p>	<p>DET 29</p> <p>M10x50 (905140)</p> <p>Ø20/10.5x2 (901302)</p> <p>M10 (909637)</p>	<p>DET 30</p> <p>M10x35 (902252)</p> <p>19x21x25 (903193)</p> <p>Ø20/10.5x2 (901302)</p> <p>M10 (909637)</p>
<p>DET 31</p> <p>M12x30</p> <p>Ø24/13</p> <p>M12</p> <p>M10 → 45 Nm</p> <p>904422</p>	<p>DET 32</p> <p>M12x100</p> <p>Ø24/13</p> <p>M12</p> <p>904422</p> <p>M12 → 60 Nm</p>	<p>DET 33</p> <p>M12</p> <p>904801</p> <p>904428</p> <p>904430</p> <p>904904</p>
<p>DET 34</p> <p>904800</p>	<p>DET 35</p> <p>M12x110</p>	<p>DET 36</p>



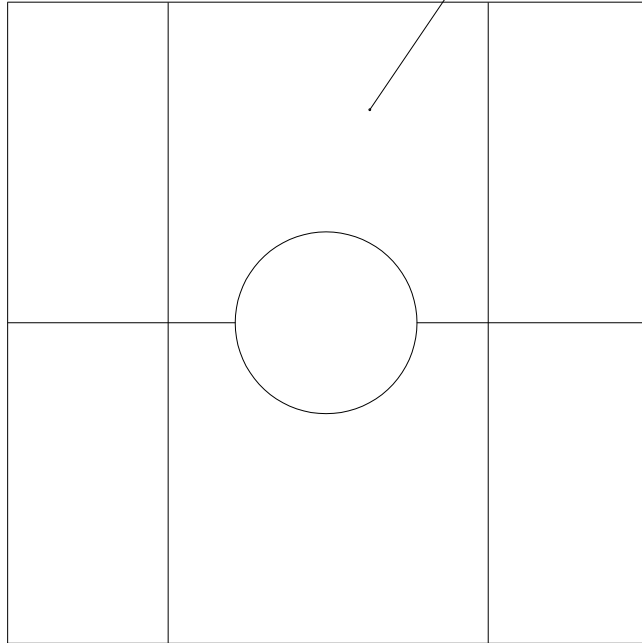
<p>DET 13</p> <p>140 Nm</p> <p>M16x110 Ø30/17x3</p>	<p>DET 14</p> <p>M12x35</p> <p>Ø24/13</p> <p>M12</p>	<p>DET 15</p> <p>Concrete 500x500x200</p> <p>600</p> <p>Harjateräs / Ribbed bar (A500HW (2x))</p>
<p>DET 16</p> <p>M12x60</p> <p>Ø24/13</p> <p>M12</p>	<p>DET 17</p> <p>M12x35</p> <p>Ø24/13</p> <p>M12</p>	<p>DET 18</p> <p>Concrete 500x500x200</p> <p>600</p> <p>Harjateräs / Ribbed bar (A500HW (2x))</p>
<p>DET 19</p> <p>ATT! Drilling can be done via hole in rotating flange.</p> <p>Ø8 ↓ 80 (4x)</p> <p>Concrete / Betoni</p> <p>&gt;100</p>	<p>DET 20</p> <p>Ø10x100</p> <p>Ø24/13</p>	<p>DET 21</p> <p>110</p> <p>Concrete / Betoni</p> <p>S</p>
<p>DET 22</p> <p>M10</p> <p>Ø20/10.5</p> <p>M10x40</p>	<p>DET 23</p> <p>Ø10 ↓ 90 (4x)</p> <p>&gt;100</p> <p>S</p> <p>Betoni / Concrete</p> <p>Safety surface</p>	<p>DET 24</p> <p>M10</p> <p>M10x100</p>





												
<p><b><math>h &lt; 600</math></b></p> <p>Without movement and therefore without Impact Area</p>	<p>Totally hard surfaces.</p> <p>Note. Lappset does <u>not recommend</u> totally hard surfaces at all.</p>	<p>E.g. concrete or asphalt</p> 										
<p><b><math>h &lt; 600</math></b></p> <p>With movement e.g. rocking</p>	<p>Materials with very limited impact attenuating properties.</p>	<p>E.g. wood</p> 										
<p><b><math>h &lt; 1000</math></b></p>	<p>Materials with significant impact attenuating properties.</p>	<p>fine gravel 0–8 mm</p>  <p>grass</p>  <p>unsorted sand</p> 										
<p><b><math>h &lt; 3000</math></b></p>	<p>Loose fill material</p> <p>E.g. sand/gravel 0,25...8 mm D60/D10&lt;3,0 Woodchips 5...30 mm bark 20...80 mm</p>	 <table data-bbox="1021 1691 1332 1792"> <tr> <td><math>\underline{S}</math></td> <td><math>\underline{h}</math></td> </tr> <tr> <td>30 cm</td> <td>&lt; 2,0 m</td> </tr> <tr> <td>40 cm</td> <td>&lt; 3,0 m</td> </tr> </table>	$\underline{S}$	$\underline{h}$	30 cm	< 2,0 m	40 cm	< 3,0 m				
$\underline{S}$	$\underline{h}$											
30 cm	< 2,0 m											
40 cm	< 3,0 m											
	<p>Syntethic granulates</p> <table data-bbox="406 1892 758 2060"> <tr> <td><math>\underline{S}</math></td> <td><math>\underline{h}</math></td> </tr> <tr> <td>40 mm</td> <td>~&gt; 1,2...1,3 m</td> </tr> <tr> <td>50 mm</td> <td>~&gt; 1,5...1,7 m</td> </tr> <tr> <td>60 mm</td> <td>~&gt; 1,8...2,0 m</td> </tr> <tr> <td>70 mm</td> <td>~&gt; 2,1...2,5 m</td> </tr> </table> <p>Note. For accurate values, see manufacturer's instructions.</p>	$\underline{S}$	$\underline{h}$	40 mm	~> 1,2...1,3 m	50 mm	~> 1,5...1,7 m	60 mm	~> 1,8...2,0 m	70 mm	~> 2,1...2,5 m	
$\underline{S}$	$\underline{h}$											
40 mm	~> 1,2...1,3 m											
50 mm	~> 1,5...1,7 m											
60 mm	~> 1,8...2,0 m											
70 mm	~> 2,1...2,5 m											

REMOVE SAFETY SURFACE/SAND/GRAVEL  
TO CHECK FOUNDATION



REMOVE SAFETY SURFACE/SAND/GRAVEL  
TO CHECK FOUNDATION

