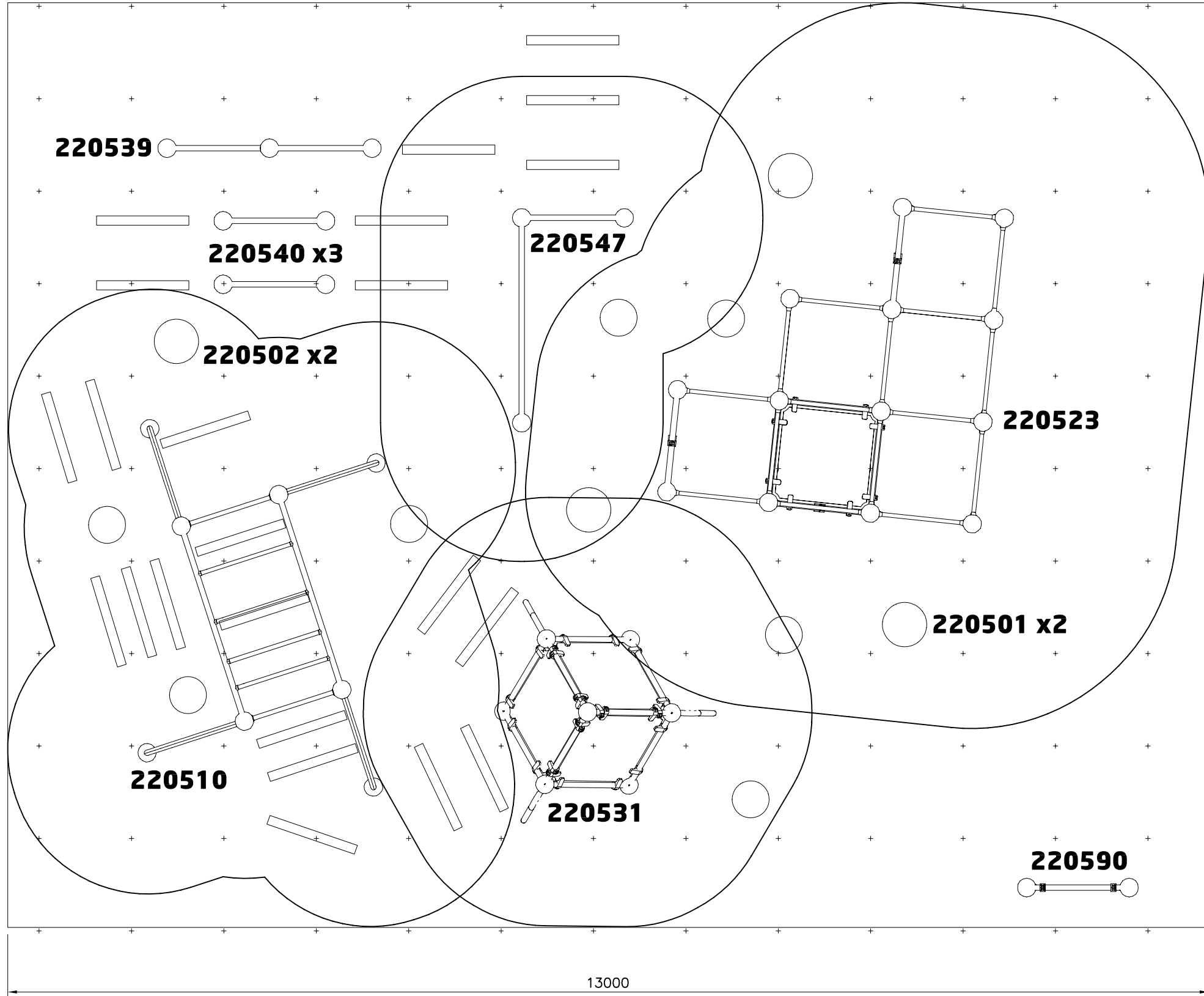
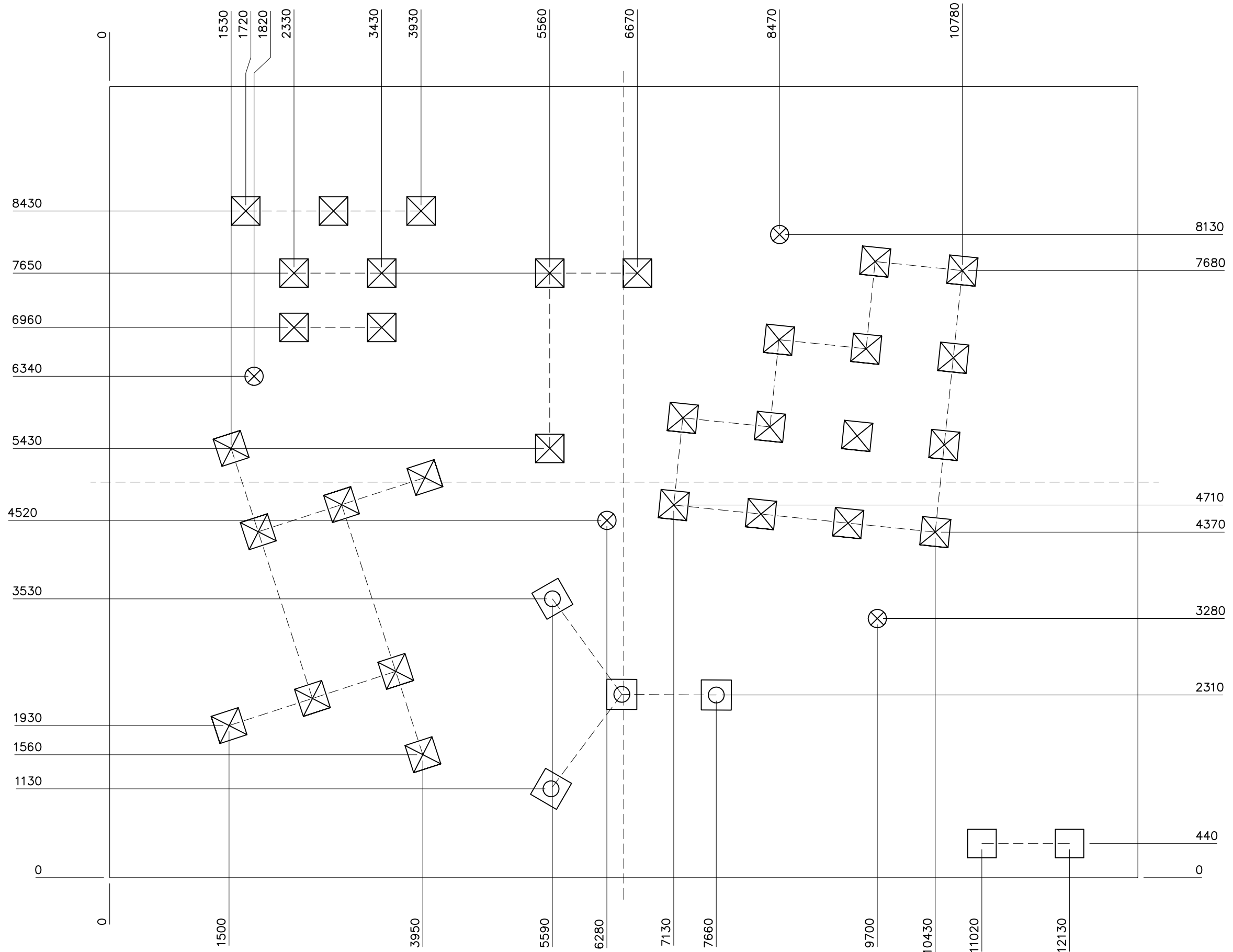
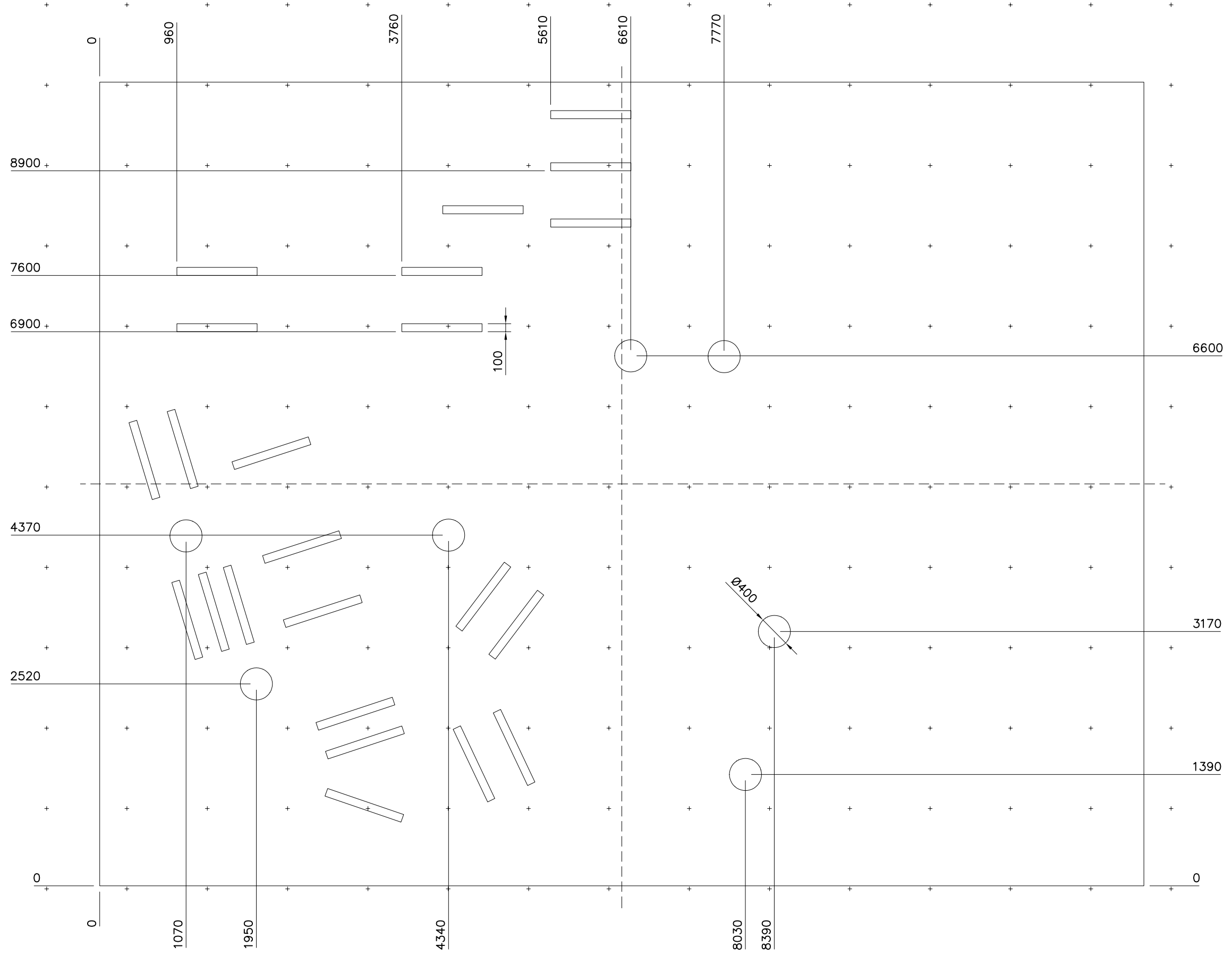


DATE: 16.3.2011





DATE: 16.3.2011



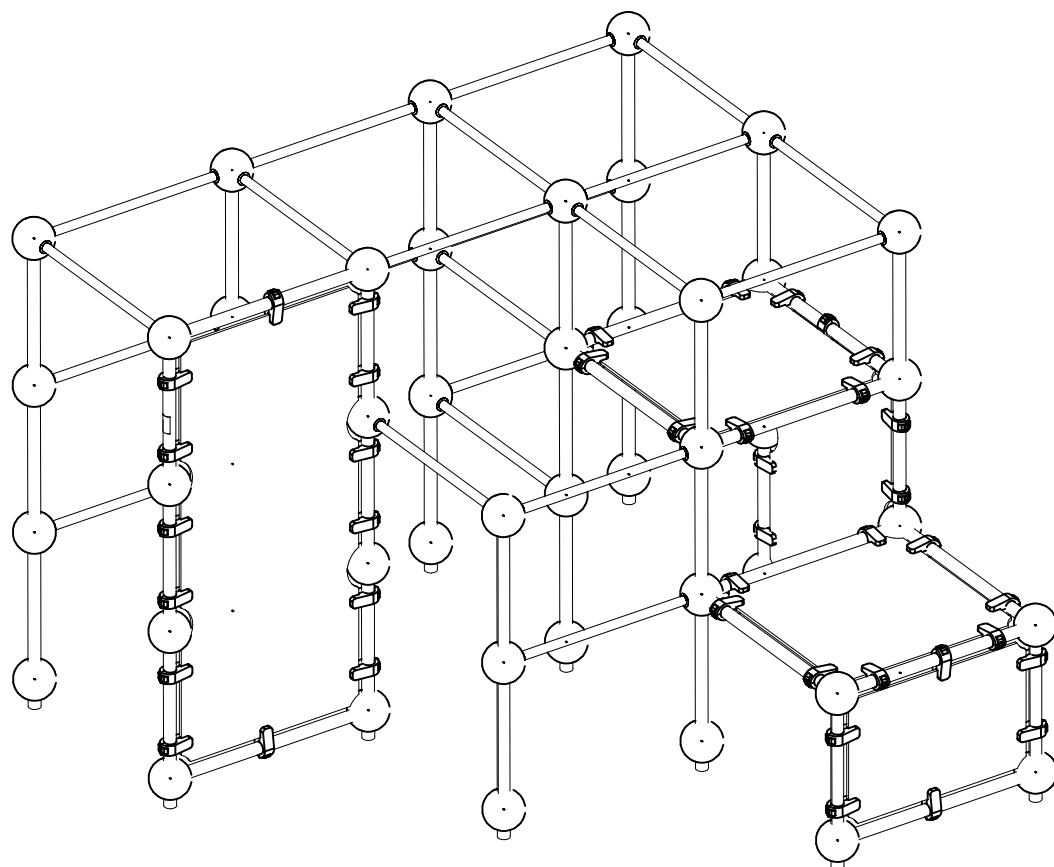
LAPPSET®

PARKOUR

ASENNUSOHJE
MONTERINGSANSVISNING
INSTALLATION INSTRUCTION
AUFBAUANLEITUNG
NOTICE D'INSTALLATION

DATE: 23.2.2015

220523

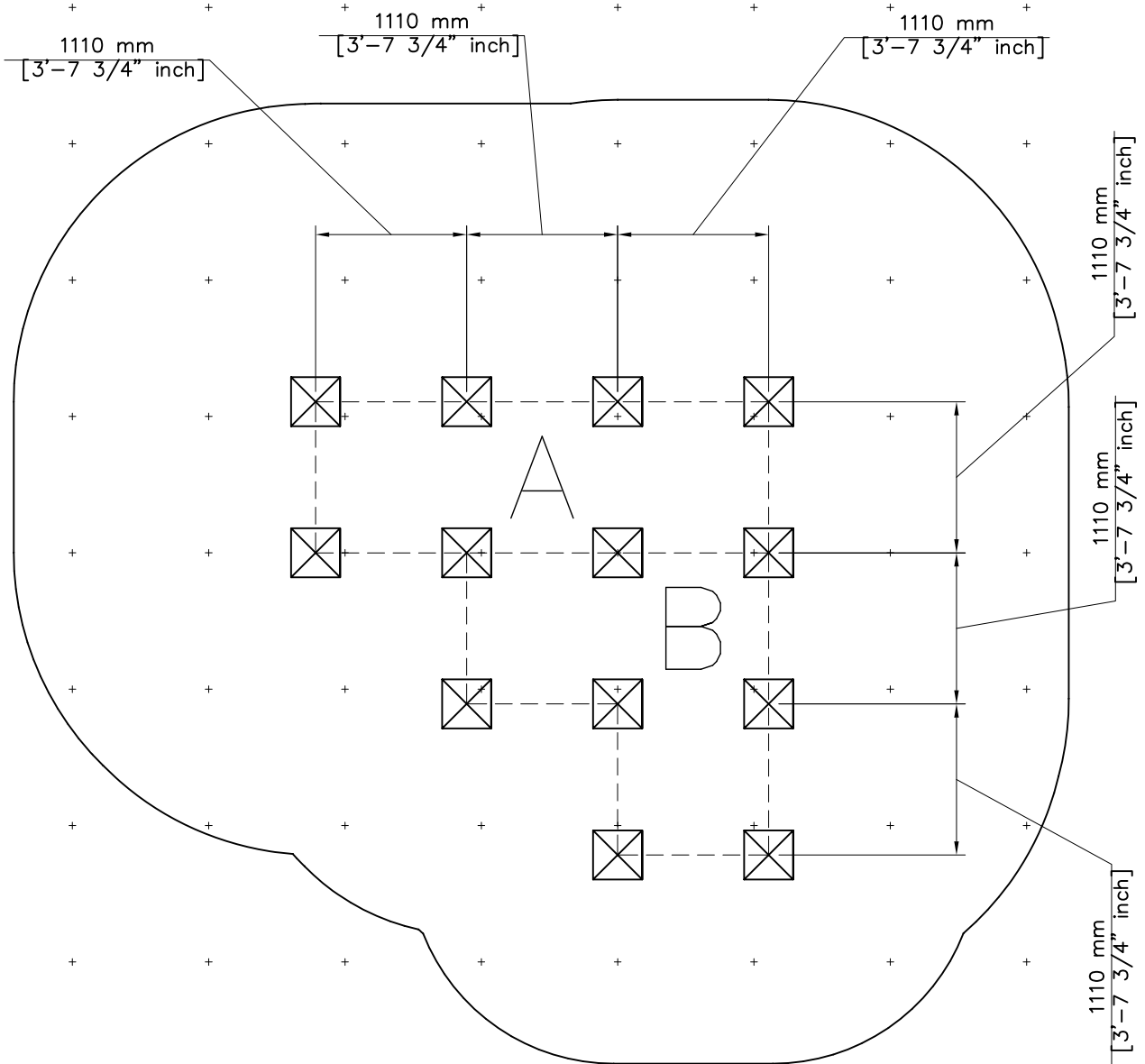
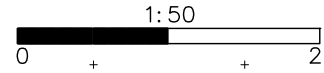


DATE: 23.2.2015

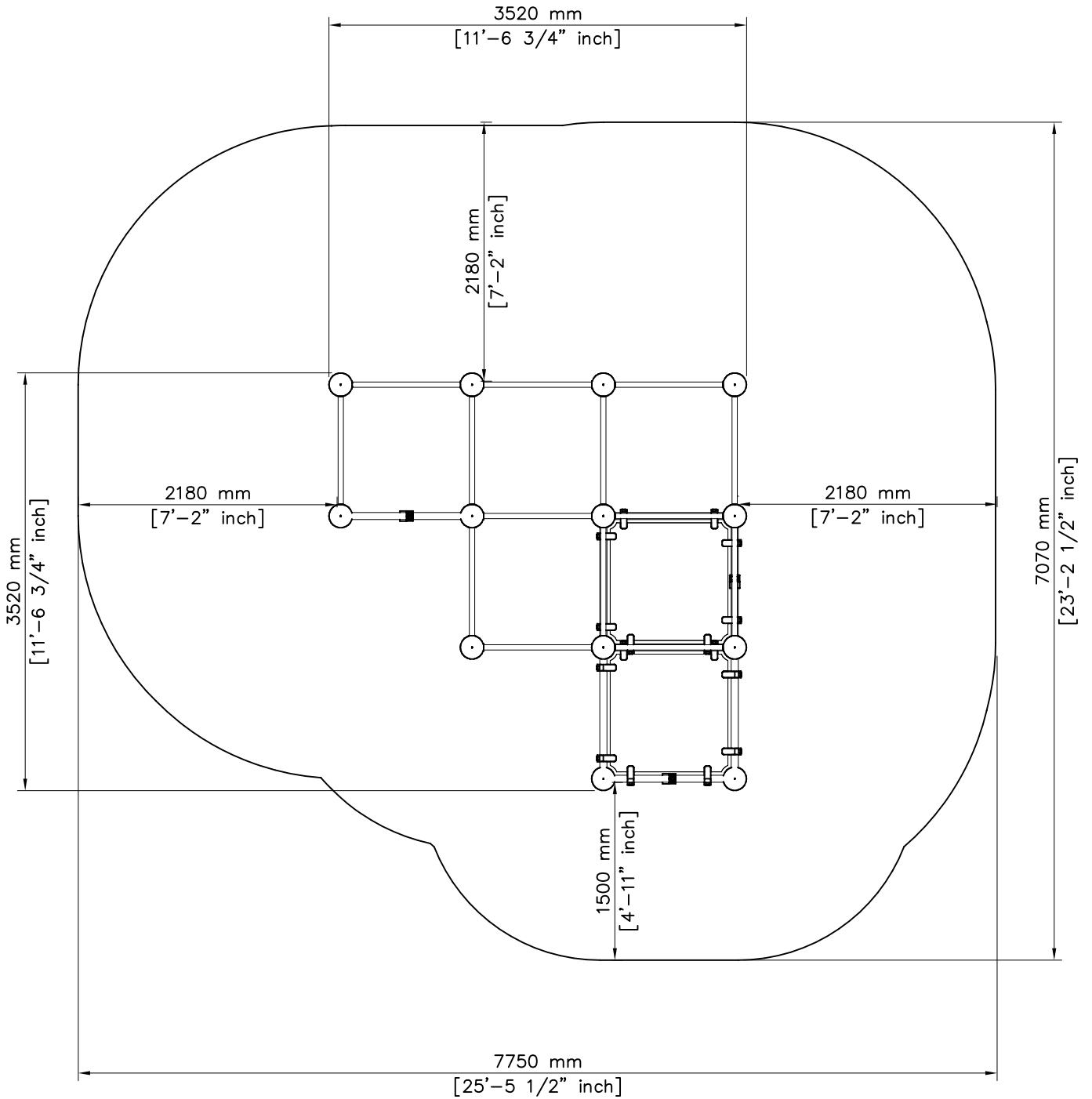
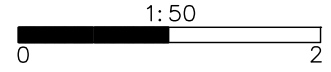
<p>701985</p> <p>PCS 13</p>	<p>702341</p> <p>PCS 1</p> <p>90x50</p>	<p>703456</p> <p>PCS 2</p>	<p>703479</p> <p>PCS 1</p>	<p>703484</p> <p>PCS 1</p>	<p>703486</p> <p>PCS 1</p>
<p>901991</p> <p>PCS 1</p> <p>L 1493</p>	<p>902022</p> <p>PCS 2</p> <p>L 710</p>	<p>902134</p> <p>PCS 47</p>	<p>904747</p> <p>PCS 133</p> <p>60x60x2</p>	<p>902424</p> <p>PCS 12</p> <p>L 1034</p>	<p>904015</p> <p>PCS 16</p> <p>Ø44.5x1034</p>
<p>904032</p> <p>PCS 10</p> <p>L 2278</p>	<p>904100</p> <p>PCS 44</p> <p>44.5-60.3</p>	<p>904102</p> <p>PCS 3</p> <p>Ø44.5x2148</p>			

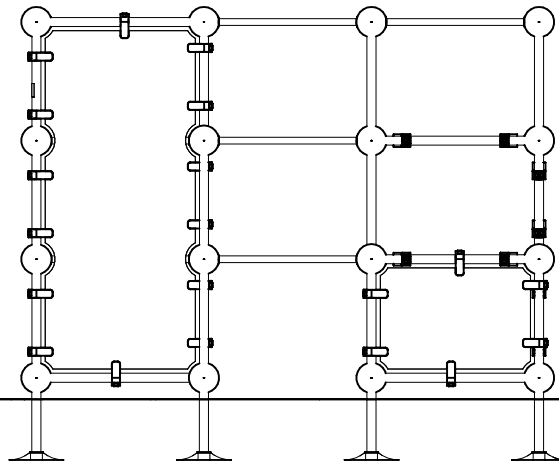
EN Impact Area 45.4 m² (489 sq ft)

Grid Size 1000 mm (40" in)



— EN Impact Area 45.4 m² (489 sq ft)
 - - - Falling Space 45,4 m² (489 sq ft)
 Max Falling Height 2530 mm (8'-3 3/4" in)



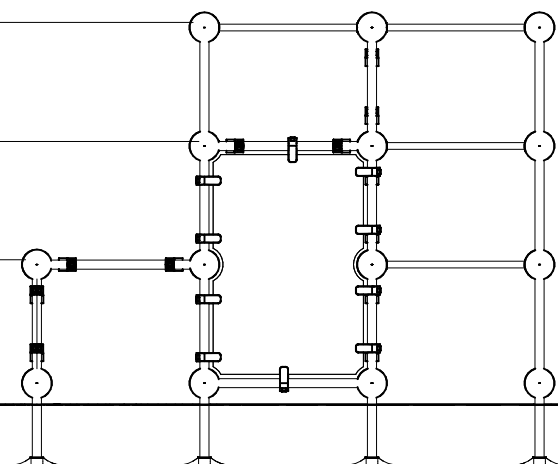


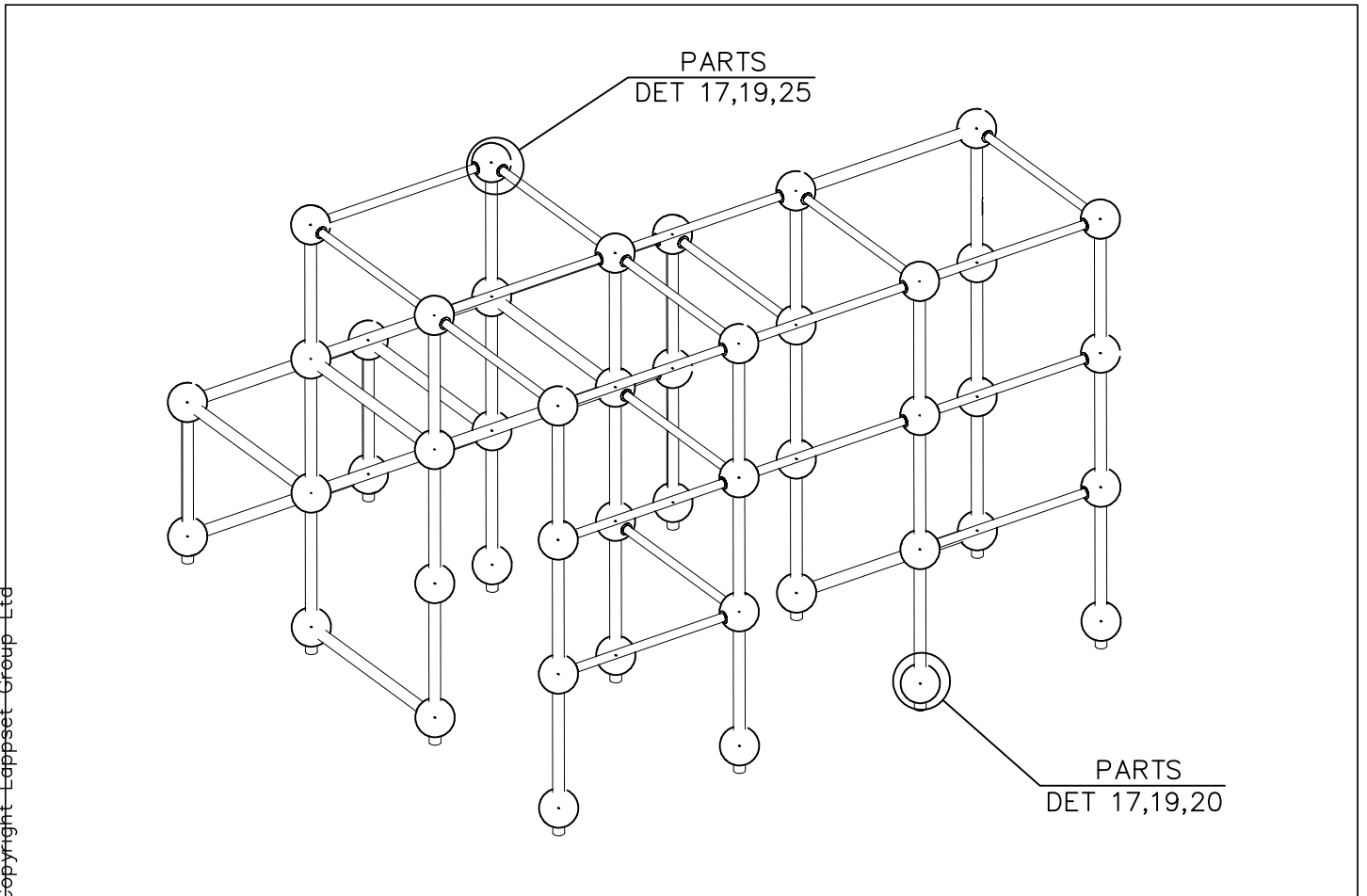
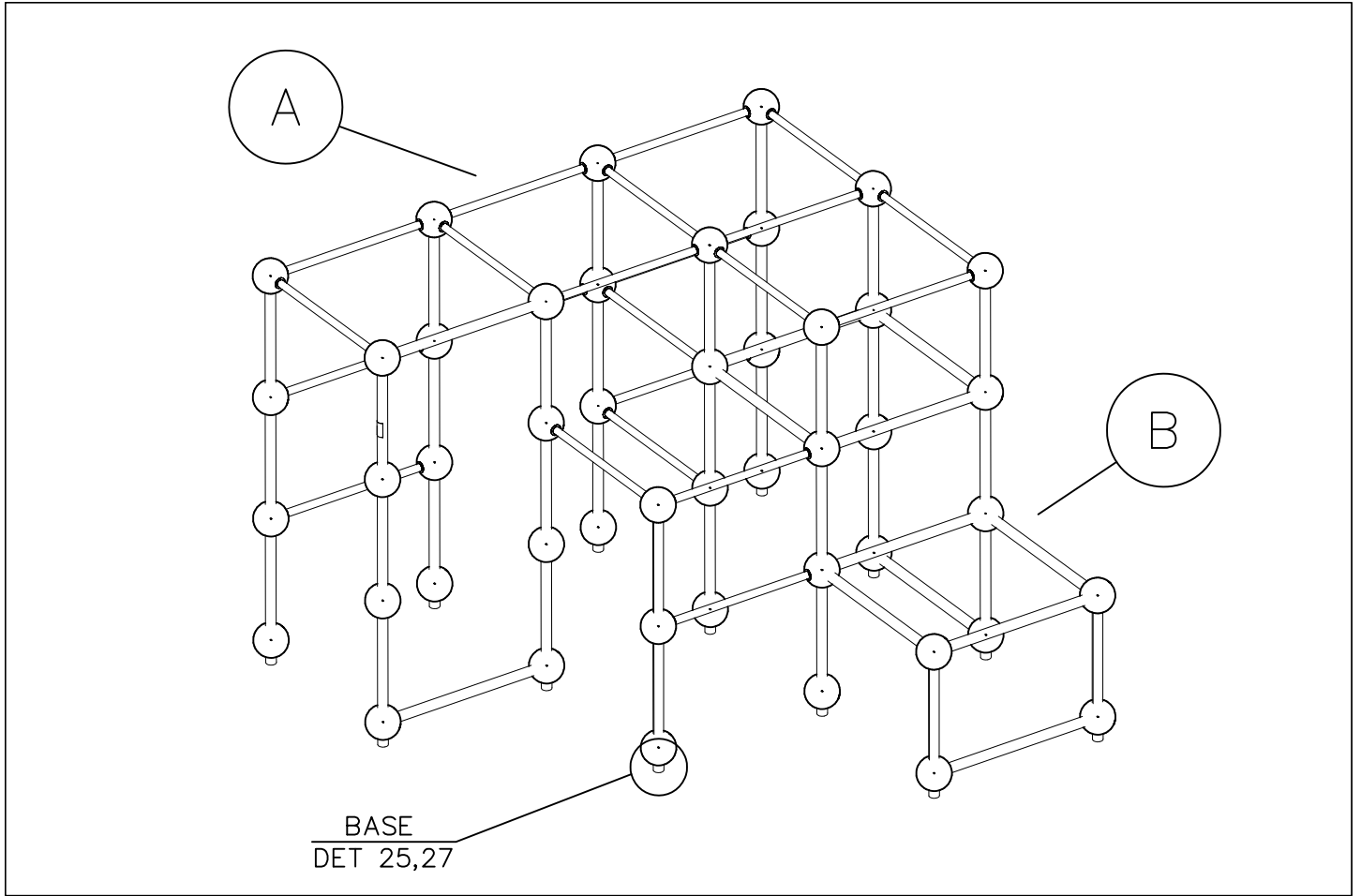
2530 mm
[8'-3 3/4" inch]

1740 mm
[5'-8 3/4" inch]

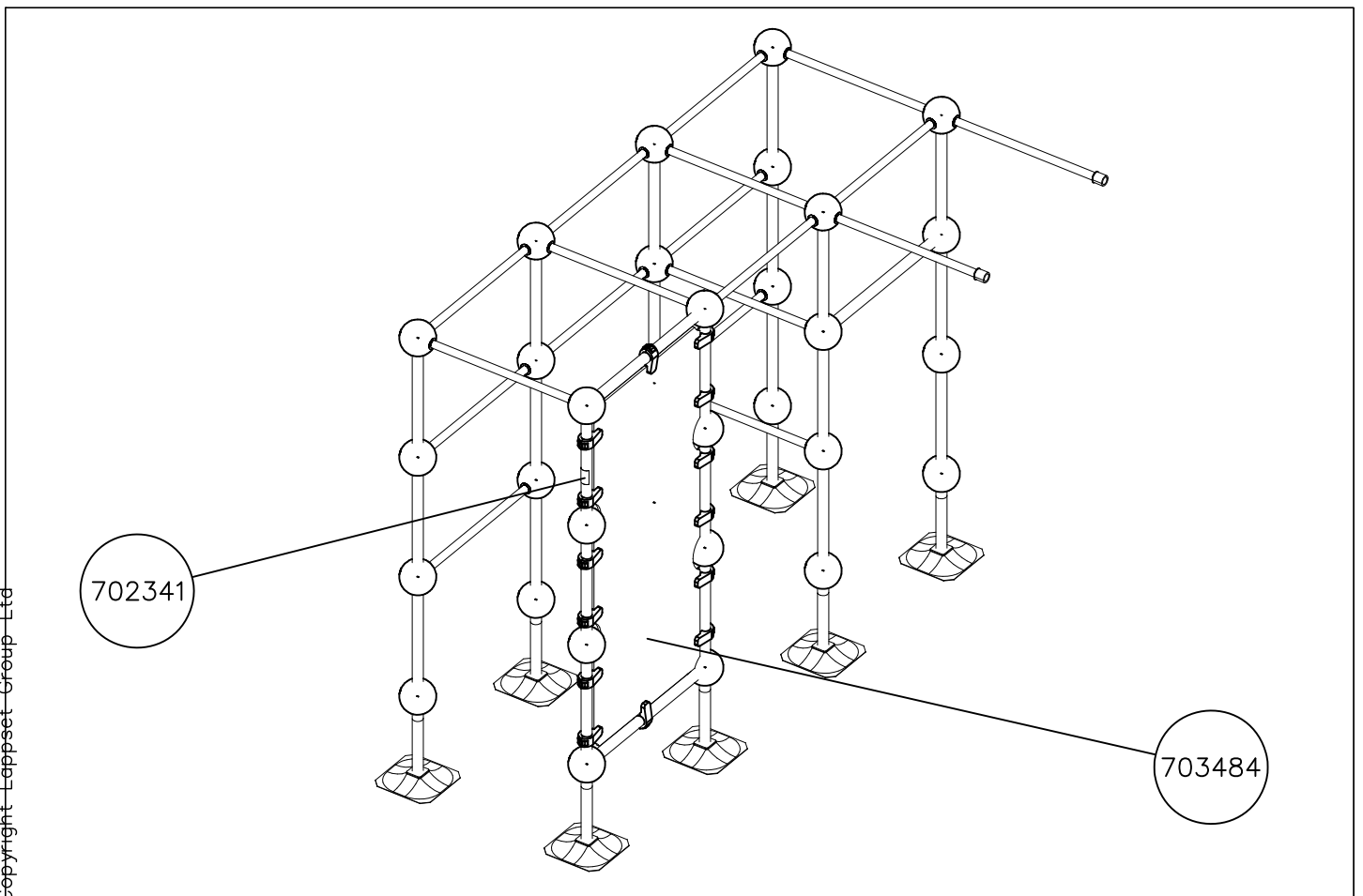
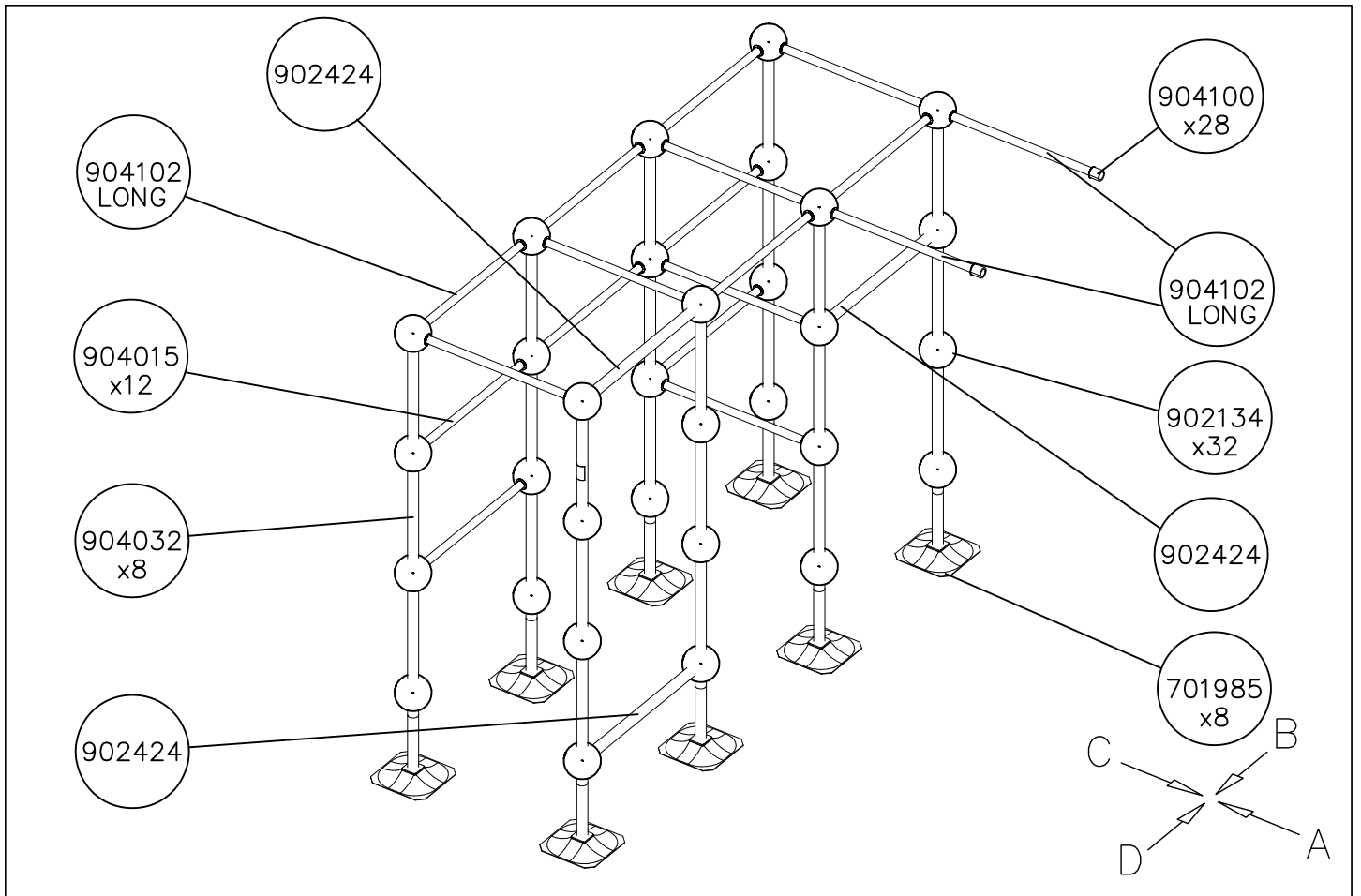
960 mm
[3'-1 3/4" inch]

0 mm
[0" inch]



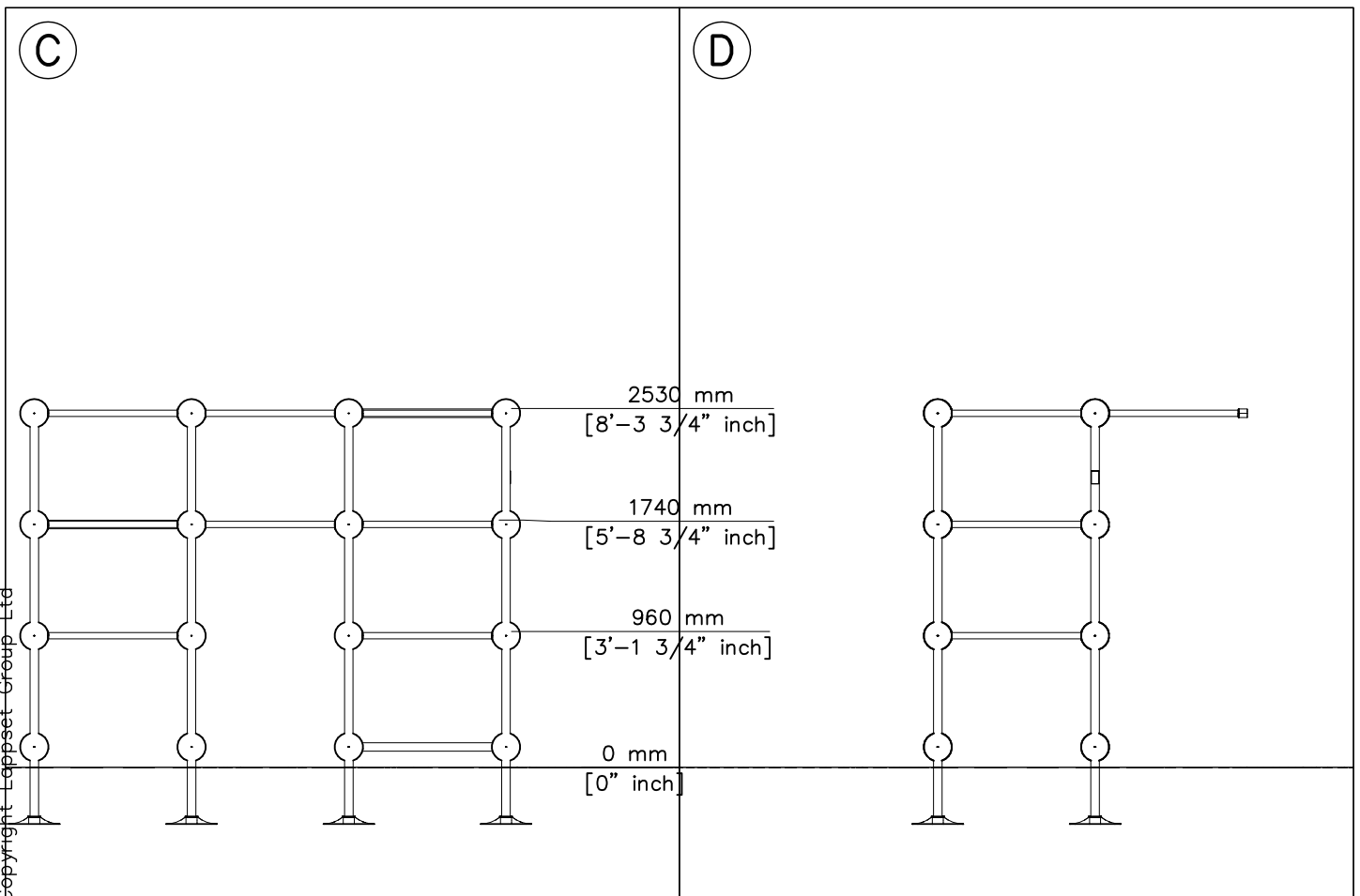
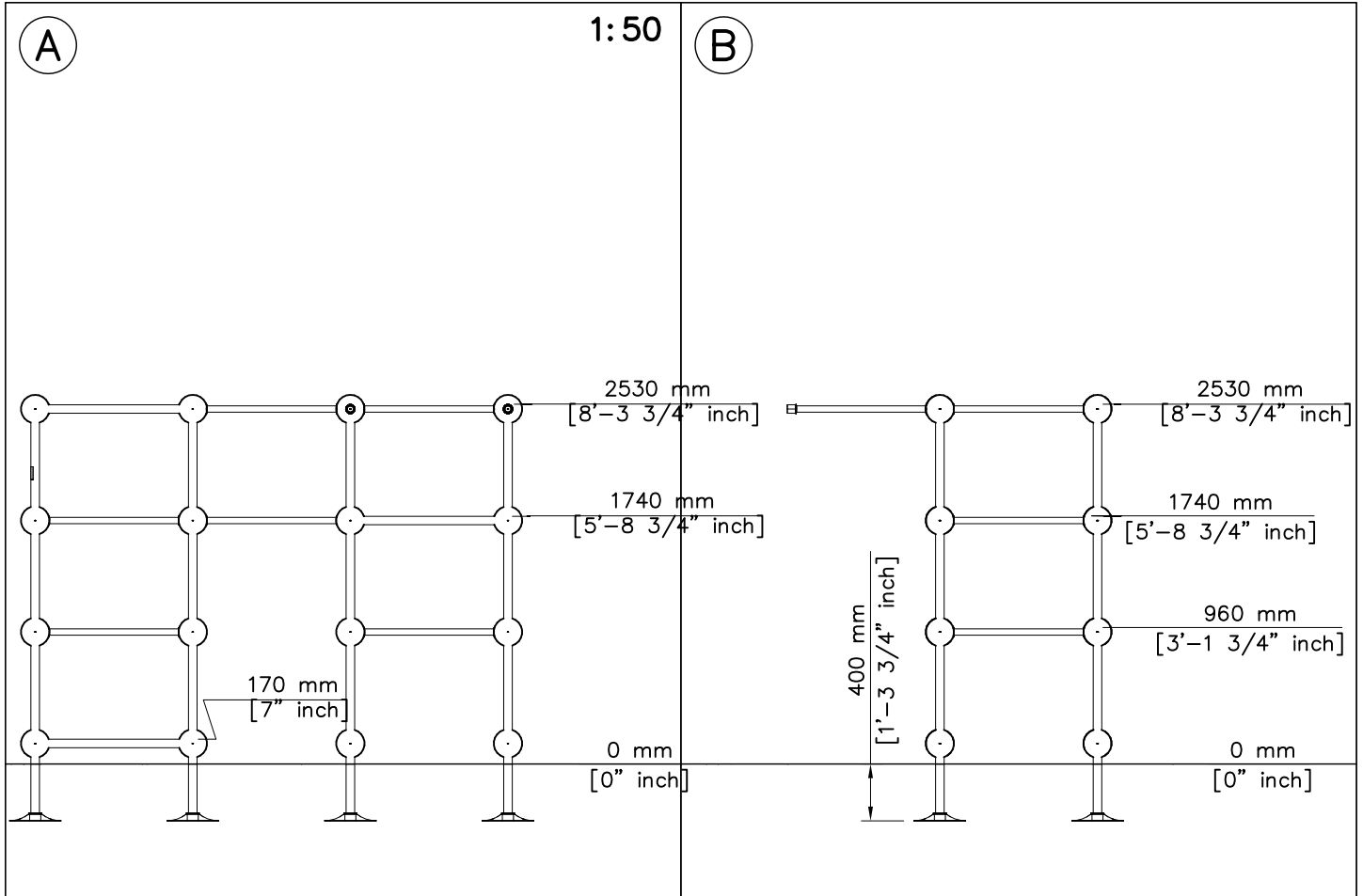


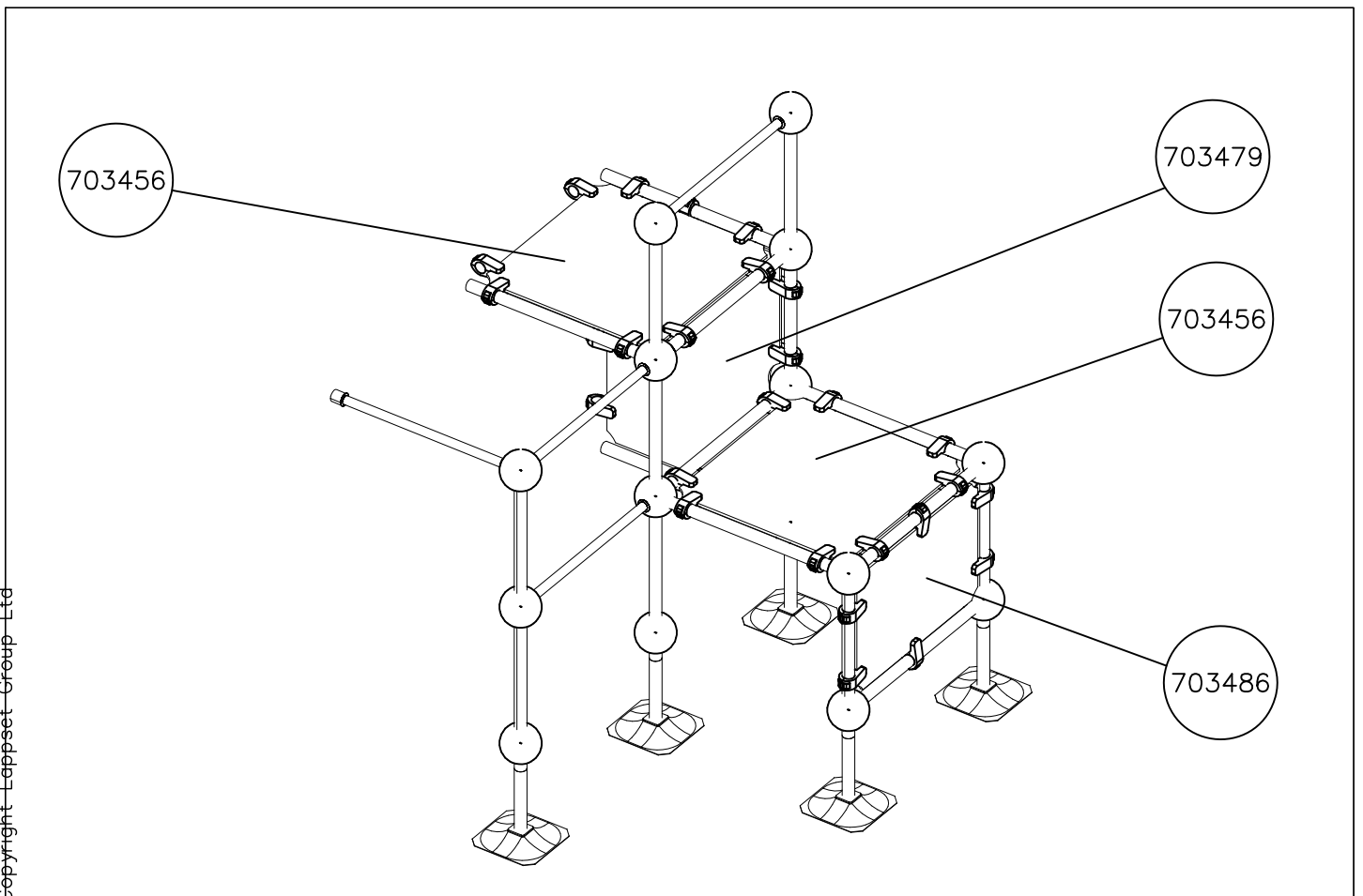
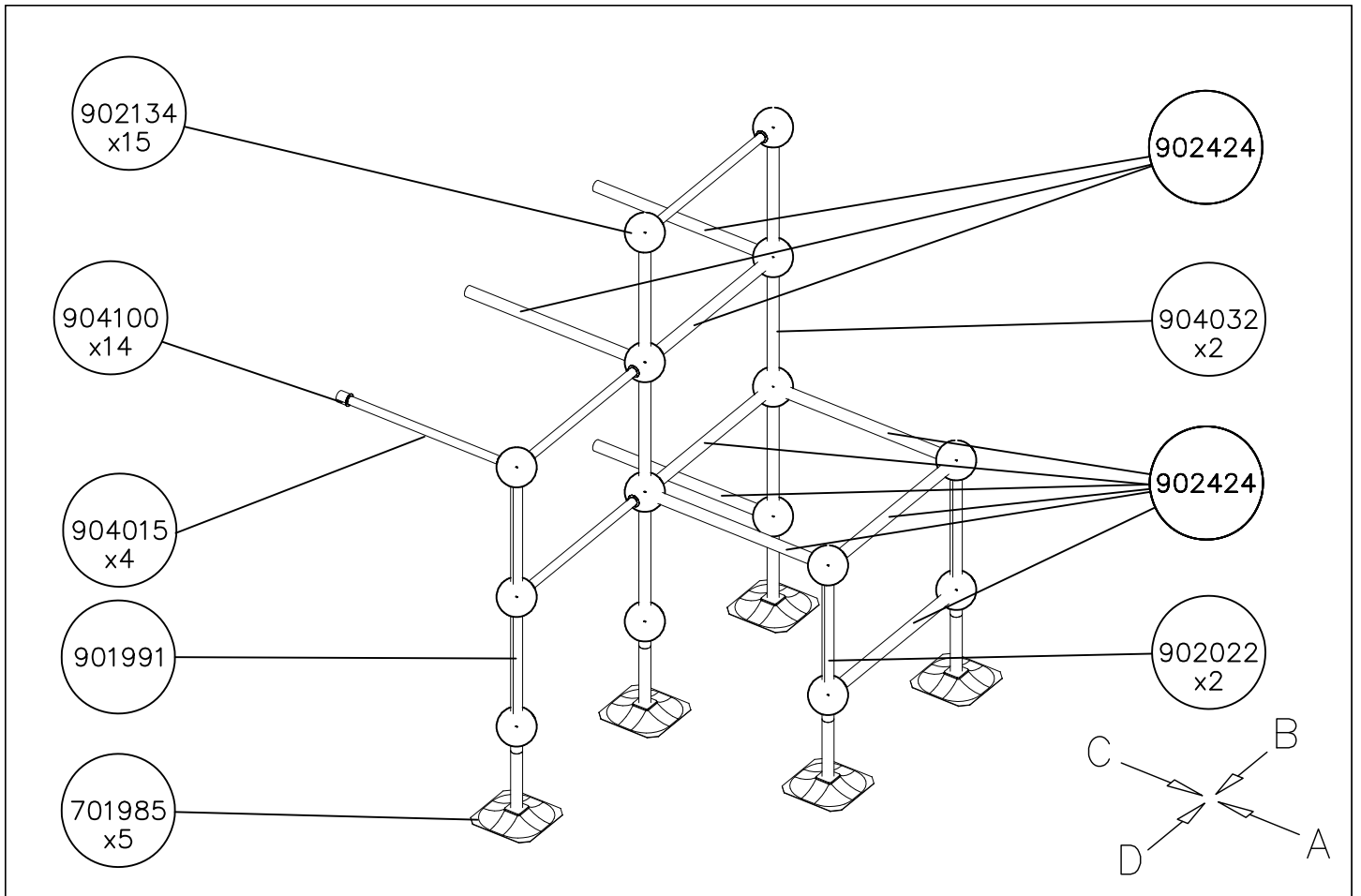
DATE: 23.2.2015



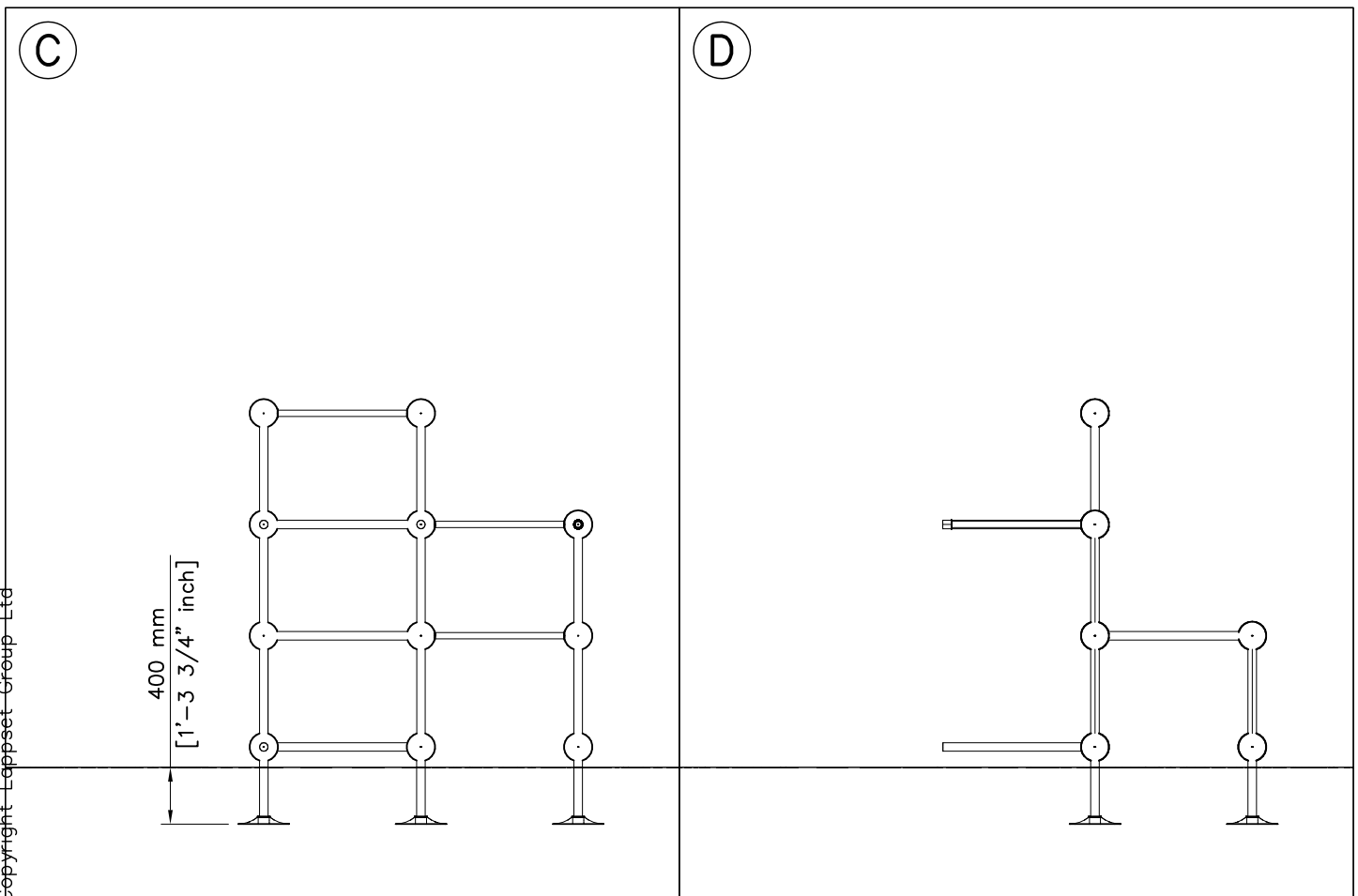
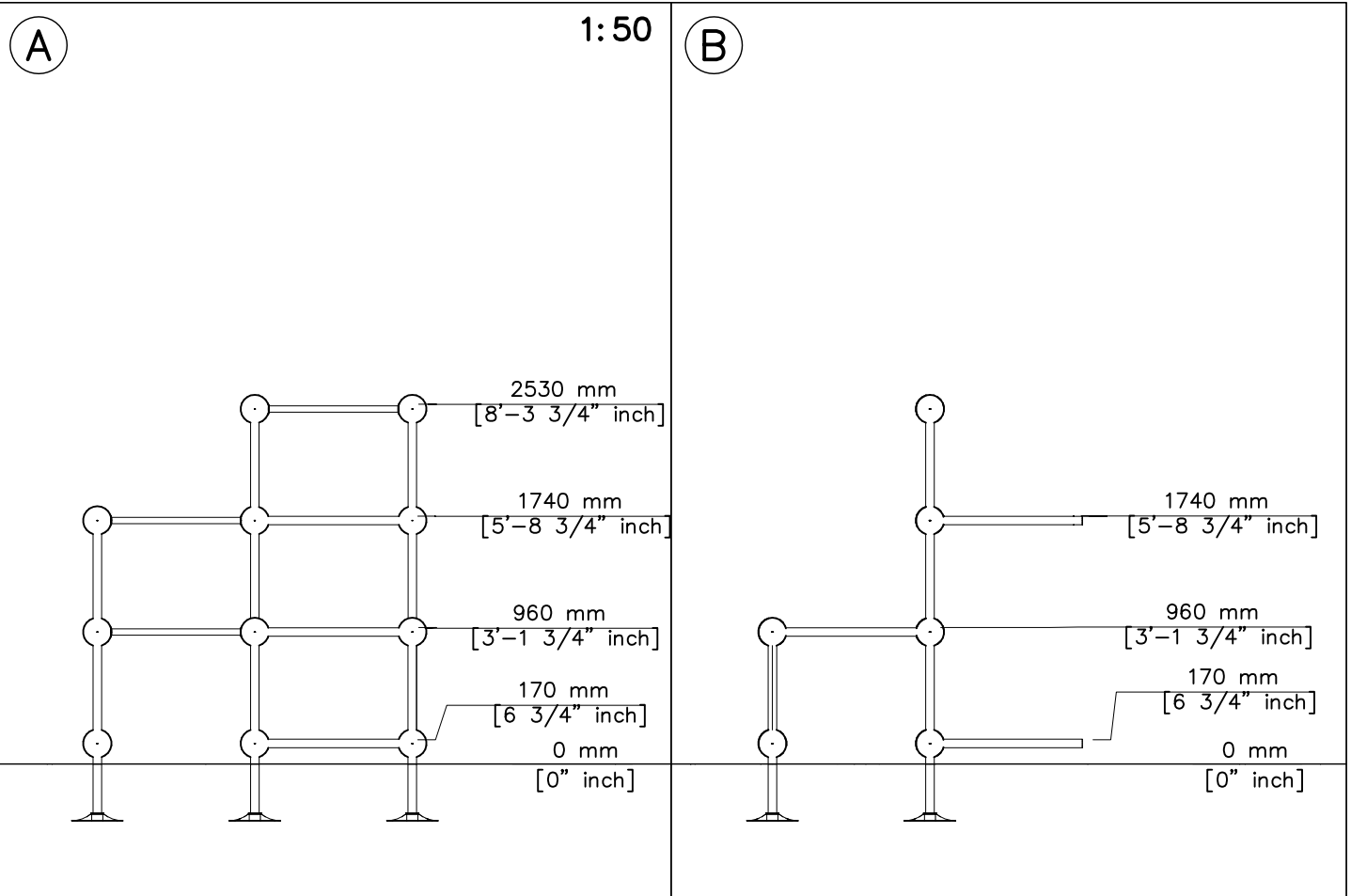
DATE: 23.2.2015

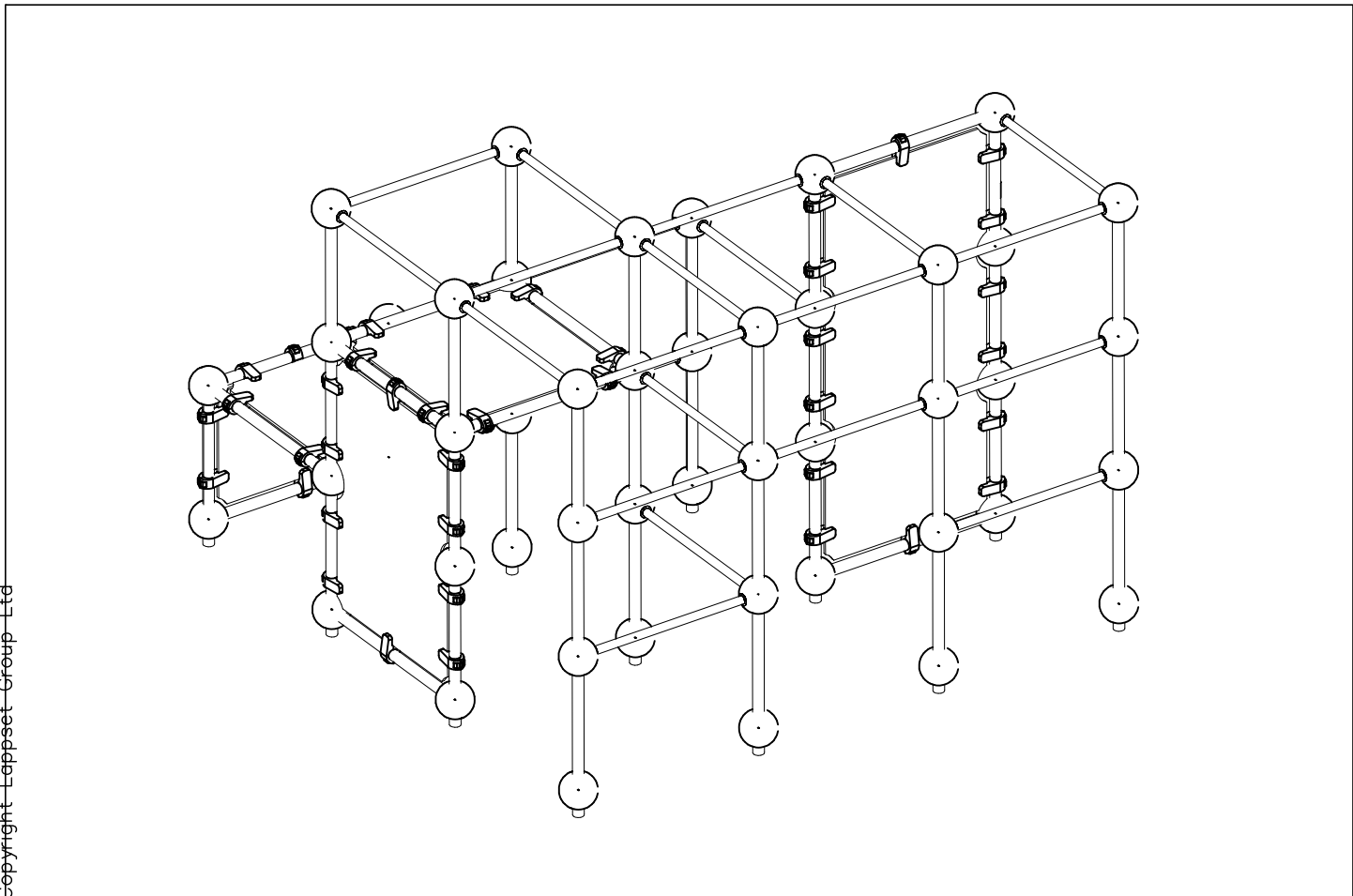
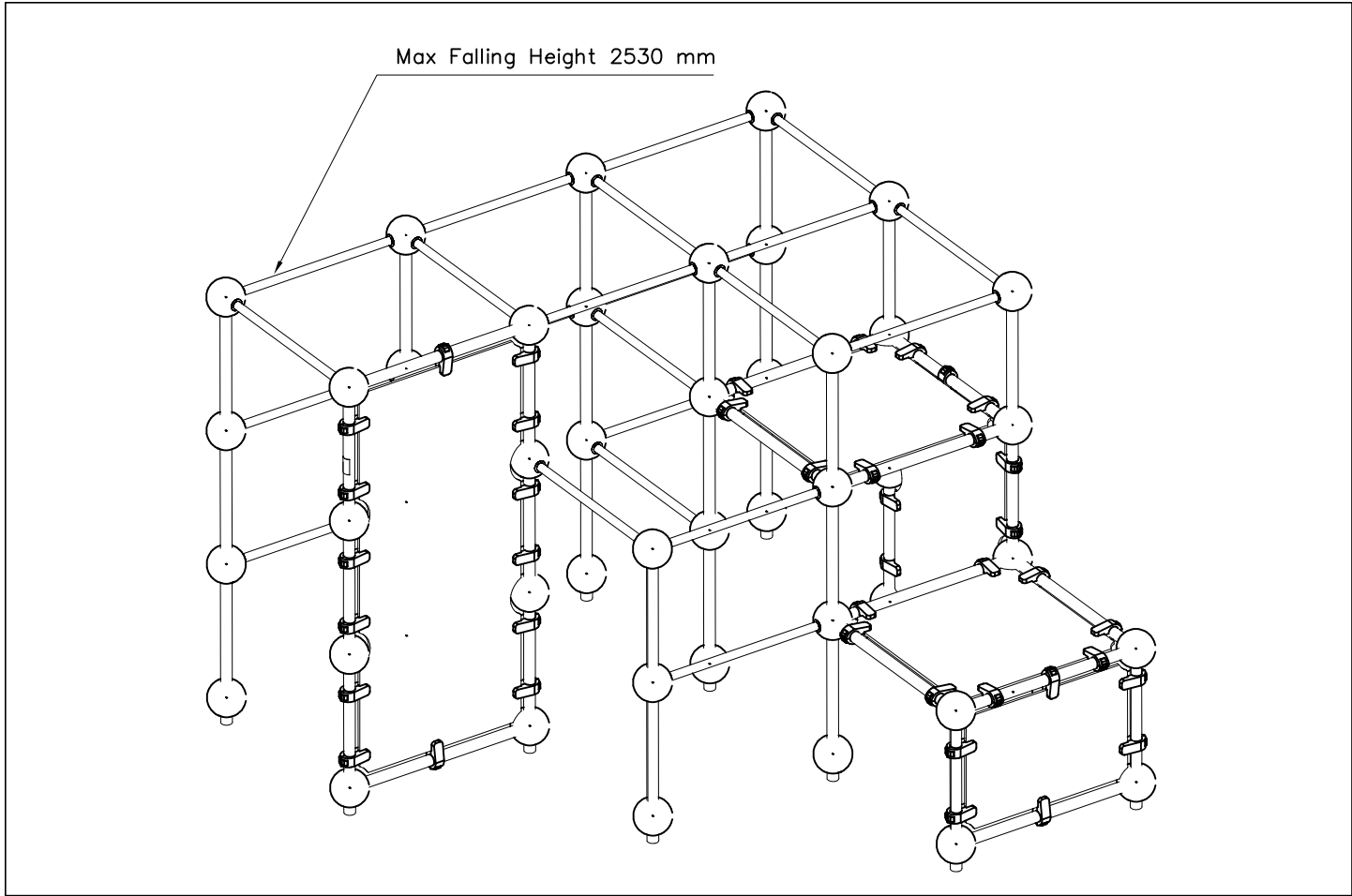
1:50

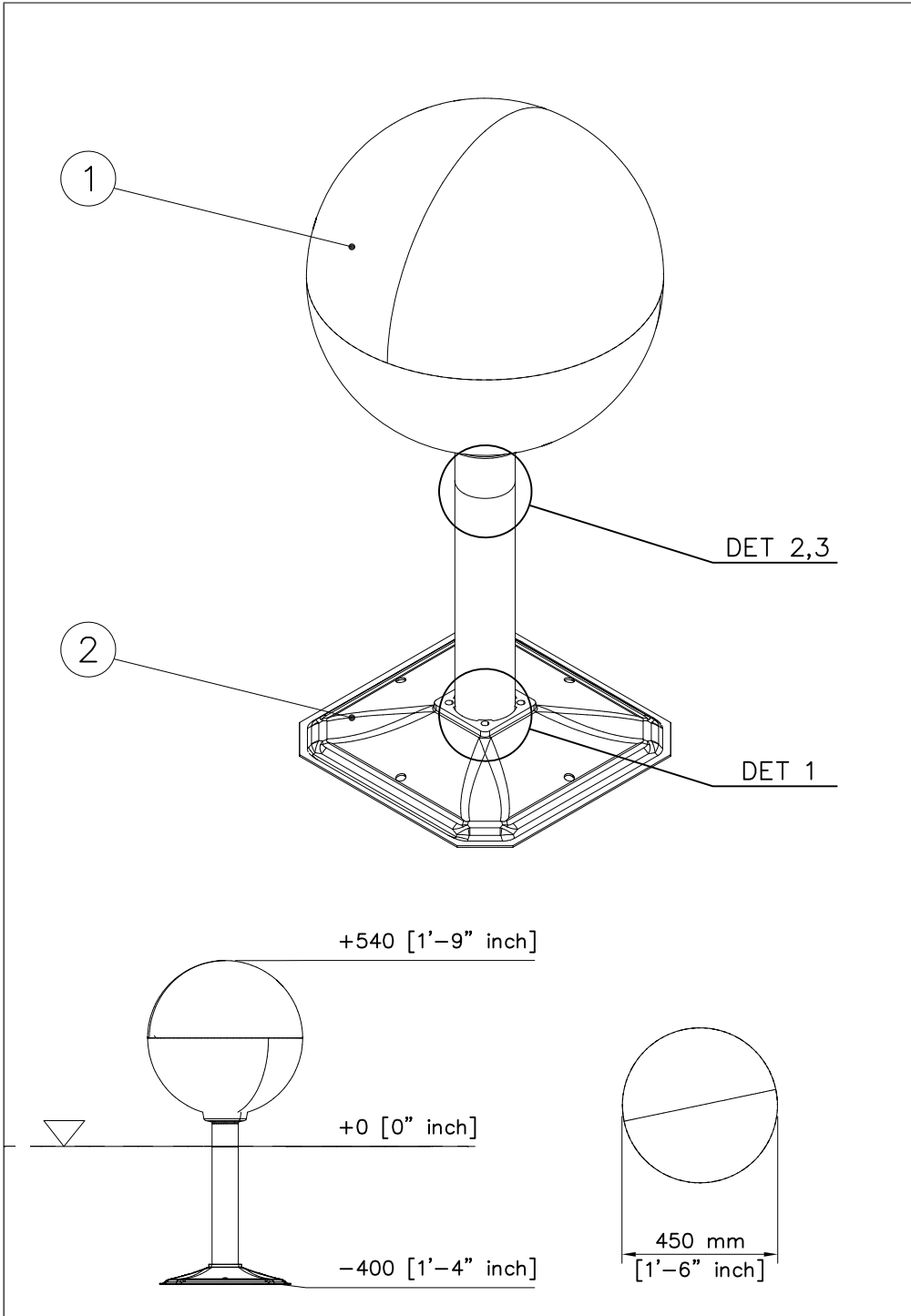




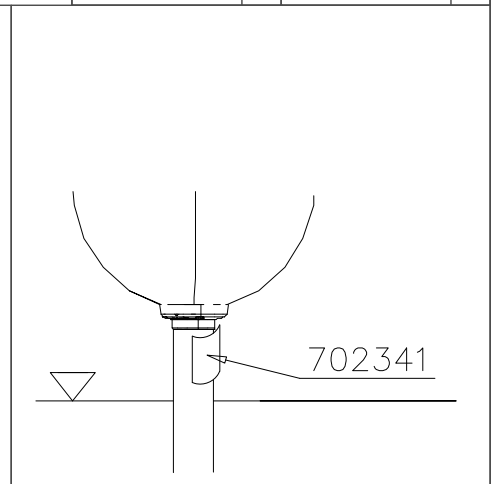
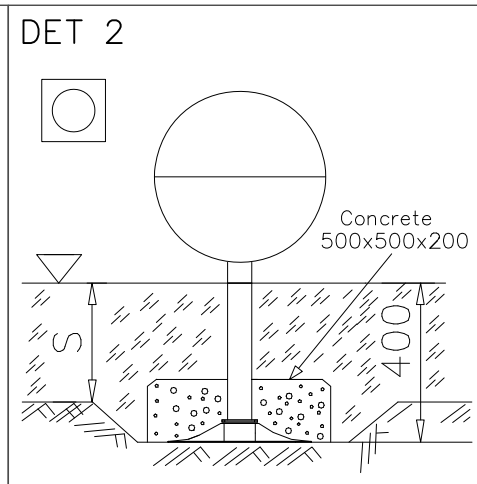
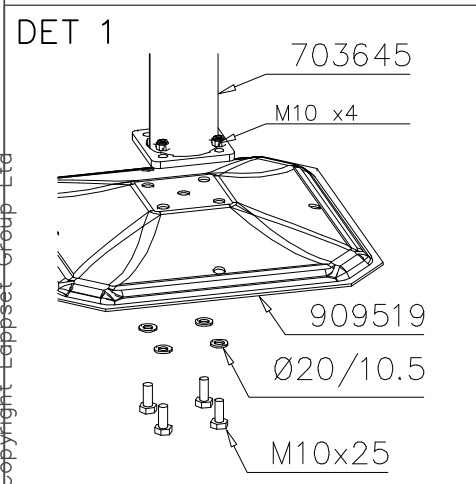
DATE: 23.2.2015



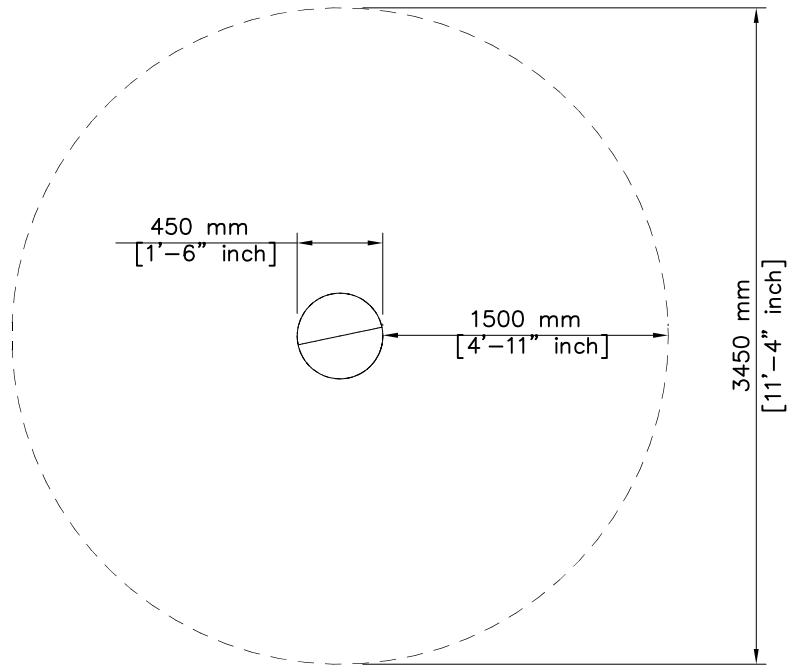
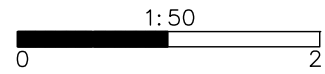




① 703645	PCS	② 909519	PCS
	1		1
		380x380	
③ 909638	PCS	④ 909639	PCS
	4		4
Ø20/10.5		M10x25	
⑤ 702341	PCS	⑥ 909637	PCS
	1		4
<small>LAPPSET Group Ltd 9000 1000001 F34.000</small> Part No: 702341 Material: 458 Date of issue: 1. June 2007 Drawn: EN1015-L2008 TDV		M10	
	PCS		PCS
	PCS		PCS
	PCS		PCS



----- Falling Space 9.3 m² (100 sq ft)
Max Falling Height 540 mm (1'-9" in)



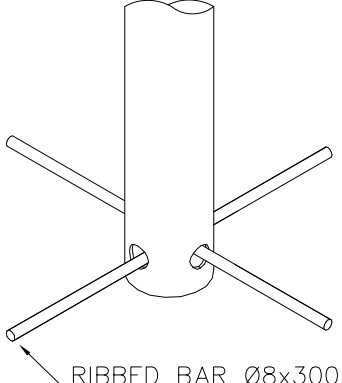
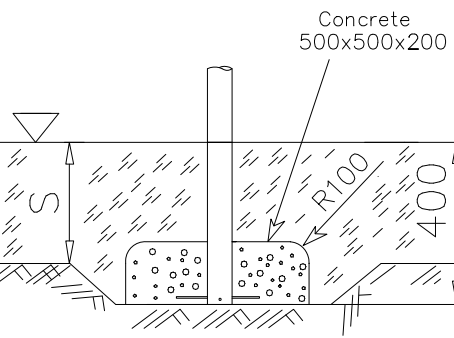
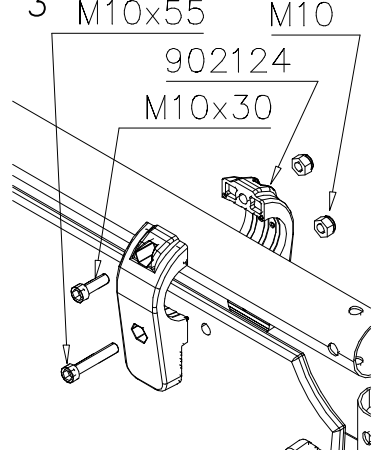
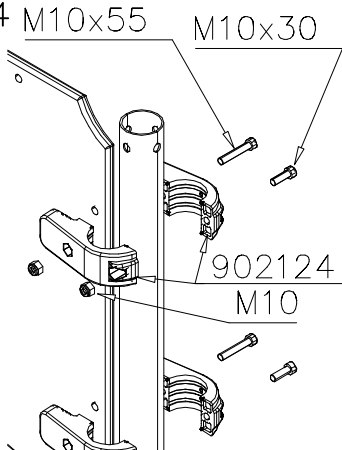
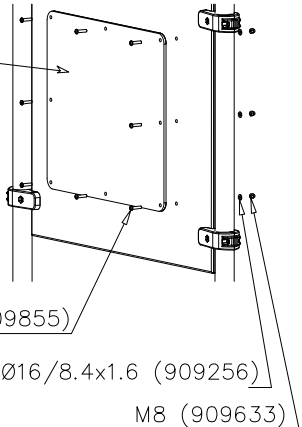
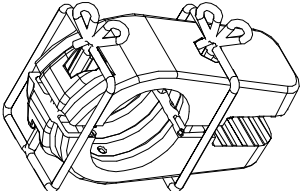
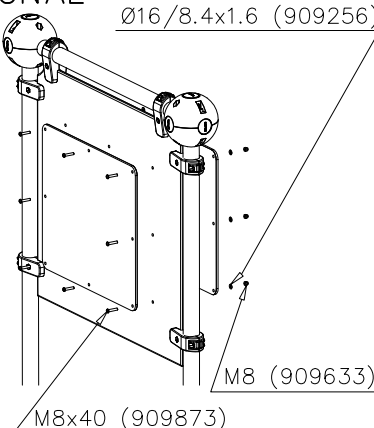
LAPPSET PARKOUR

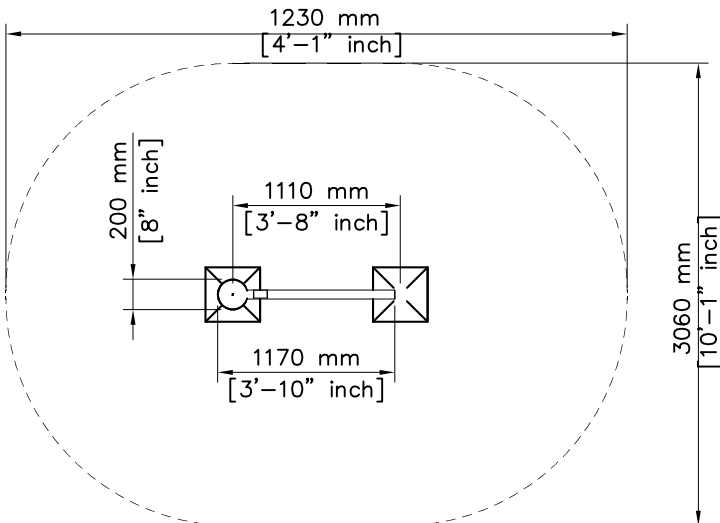
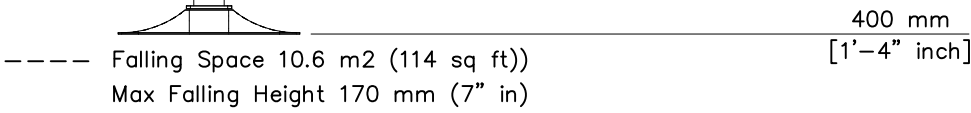
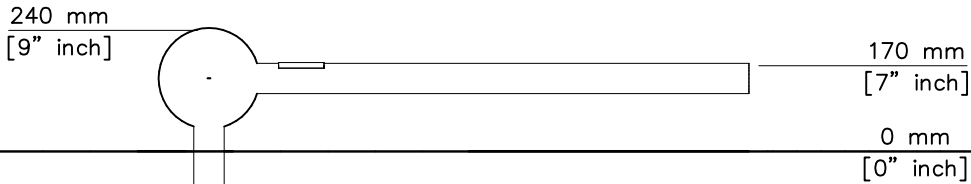
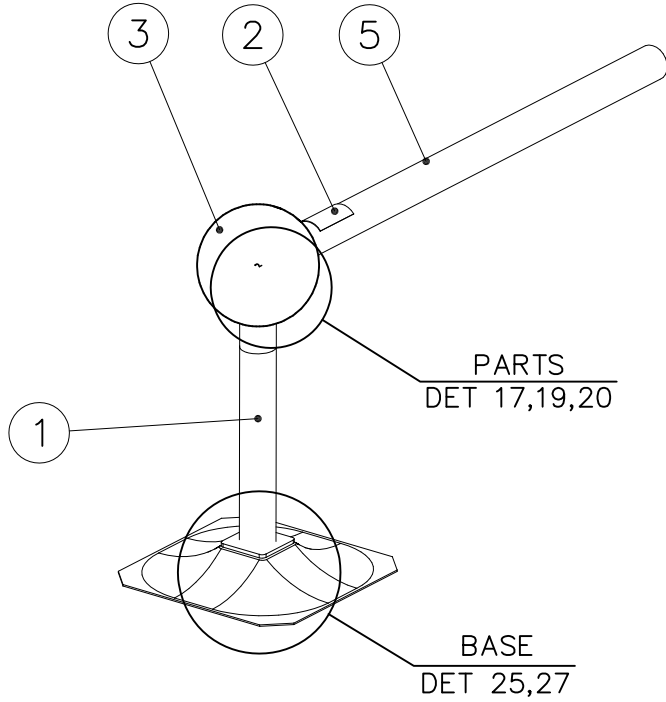
220590

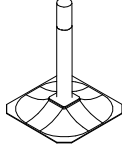


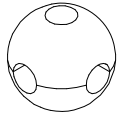

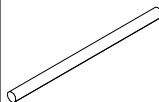
DATE: 24.5.2018

1(2)

	<p>① 702341 PCS 1 90x50</p>	<p>② 704599 PCS 1 90x50</p>
	<p>③ 902134 PCS 2 150x50x50</p>	<p>④ 902157 PCS 8 60x60x2</p>
	<p>⑤ 902424 PCS 1 L 1034</p>	<p>⑥ 904130 PCS 2 L 2148</p>
	<p>⑦ 902124 PCS 12 M10x55</p>	<p>⑧ 980161 PCS 12 M10</p>
<p>DET 1,2</p> <p>1110 mm [(3'-8" in)]</p> <p>+0 mm [(+0" in)]</p> <p>-400 mm [(-1'-4" in)]</p>	<p>⑨ 902232 PCS 6 M10x55</p>	<p>⑩ 902233 PCS 6 M10x30</p>
	<p>⑪ 704829 PCS 1 15x913x993</p>	<p>⑬ 909855 PCS 8 M8x35</p>
	<p>⑭ 909256 PCS 8 Ø16/8.4x1.6</p>	<p>⑮ 909633 PCS 8 M8</p>
	<p>⑯ 909873 PCS 8 M8x40</p>	<p>⑰ 704855-704866 PCS 1 NOT INCLUDED 8x560x640</p>

<p>DET 1</p>  <p>RIBBED BAR Ø8x300</p>	<p>DET 2</p>  <p>Concrete 500x500x200</p> <p>R100</p> <p>400</p>	<p>DET 3</p>  <p>M10x55 M10</p> <p>902124</p> <p>M10x30</p>
<p>DET 4</p>  <p>M10x55 M10x30</p> <p>902124</p> <p>M10</p>	<p>DET 5</p>  <p>NOTE: Various signs.</p> <p>HUOM: Useita erilaisia kylttejä.</p> <p>M8x35 (909855)</p> <p>Ø16/8.4x1.6 (909256)</p> <p>M8 (909633)</p>	 <p>NOTE: Use a wire marked pairs of the same junction.</p> <p>Huom! Käytä langalla merkittyä paria samassa liitoksessa.</p>
<p>OPTIONAL</p>  <p>Ø16/8.4x1.6 (909256)</p> <p>M8 (909633)</p> <p>M8x40 (909873)</p>		



① 701985	PCS	② 702341	PCS
	1		1
			
		90x50	
③ 902134	PCS	④ 902157	PCS
	1		4
		60x60x2	
⑤ 902424	PCS		PCS
	1		
L 1034			
	PCS		PCS
	PCS		PCS
	PCS		PCS
	PCS		PCS

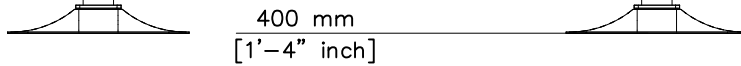
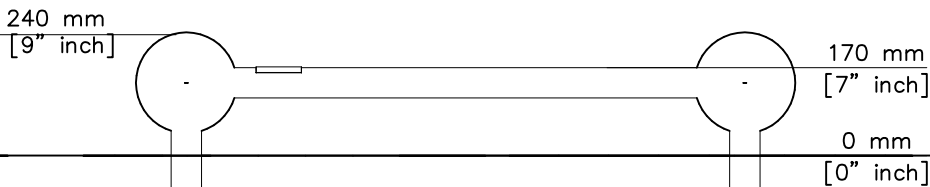
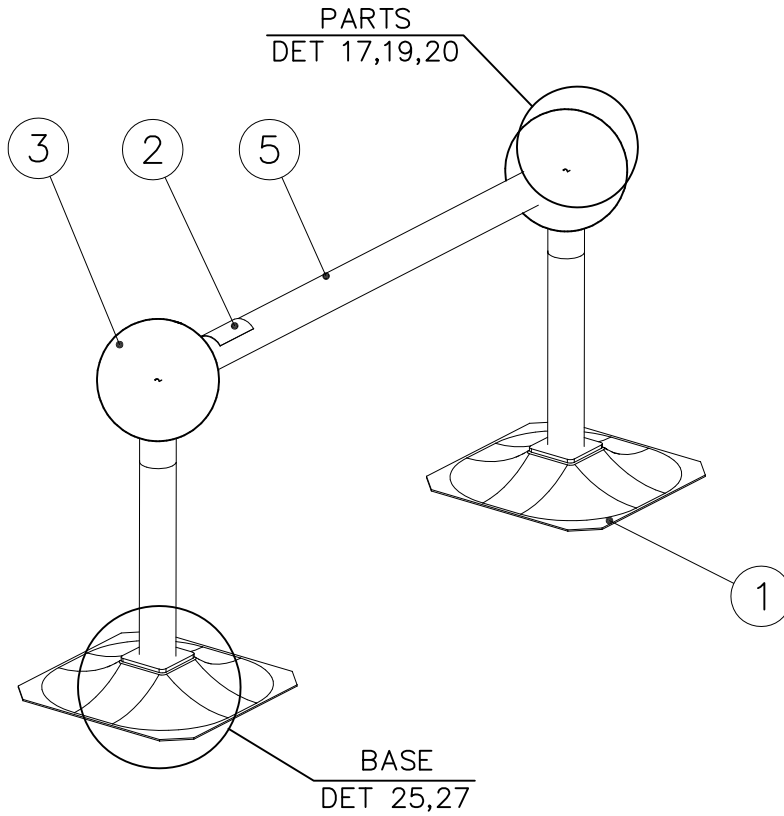
LAPPSET®

PARKOUR

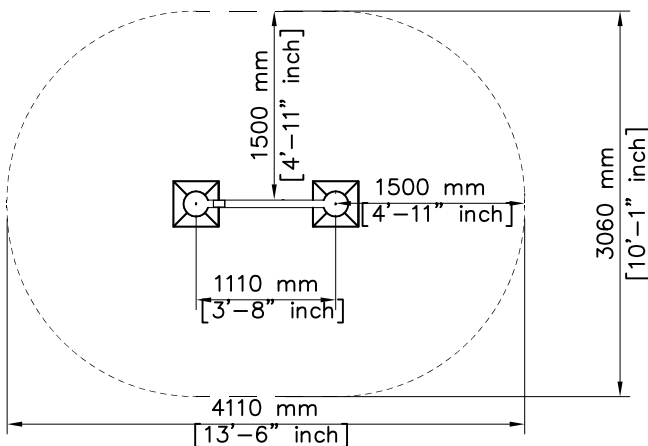
220540

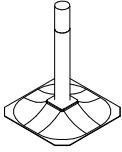

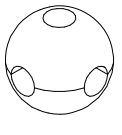
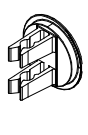
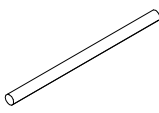
DATE: 22.3.2013

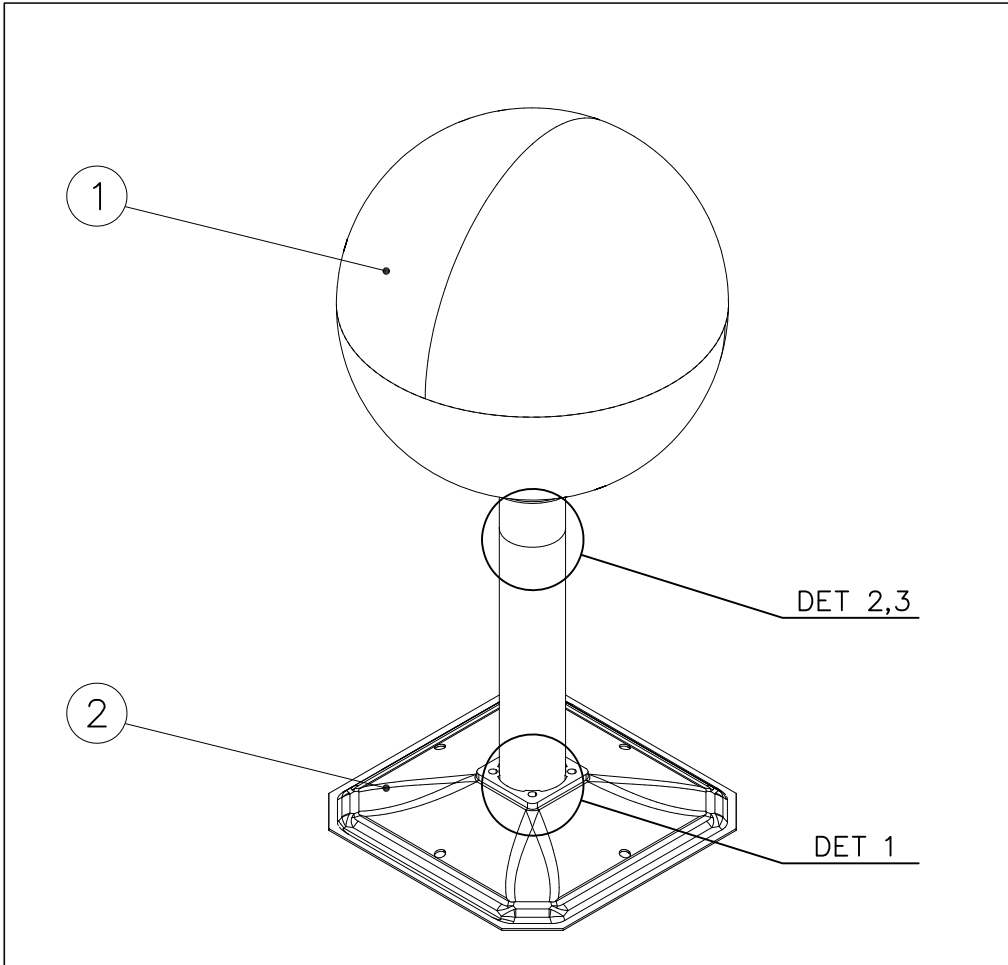
1(1)

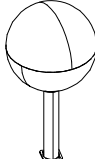
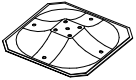

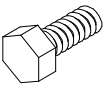

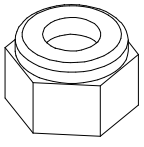


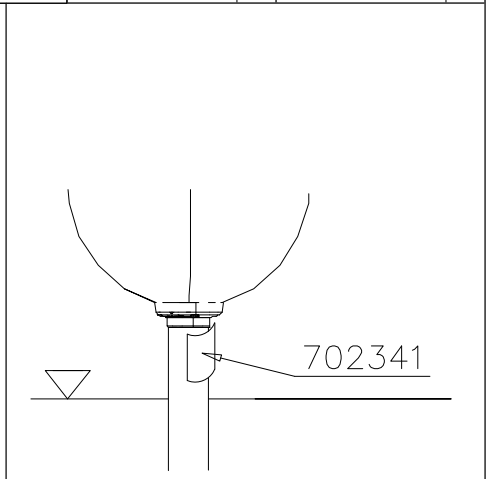
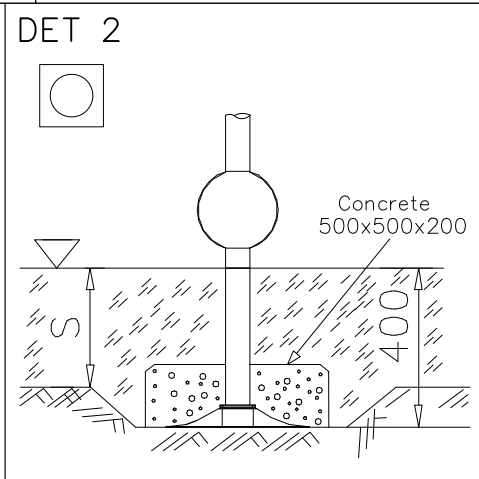
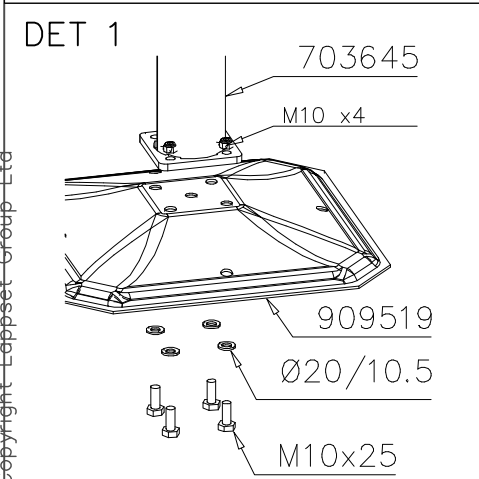
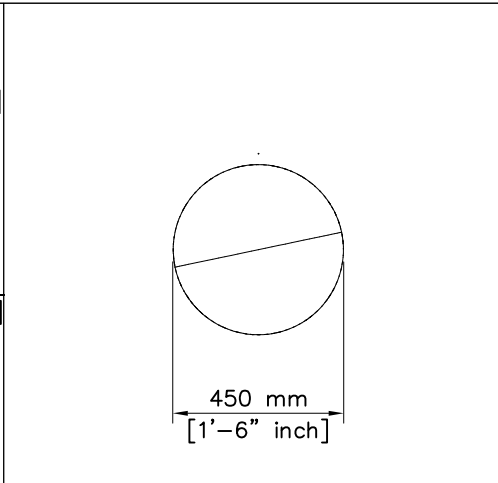
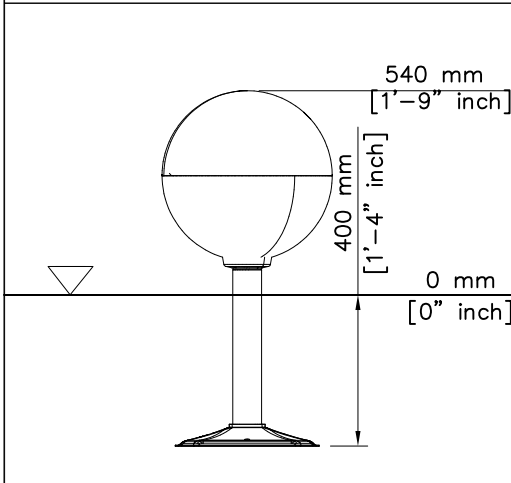
Falling Space 10.6 m² (114.1 sq ft)
Max Falling Height 170mm (7" in)



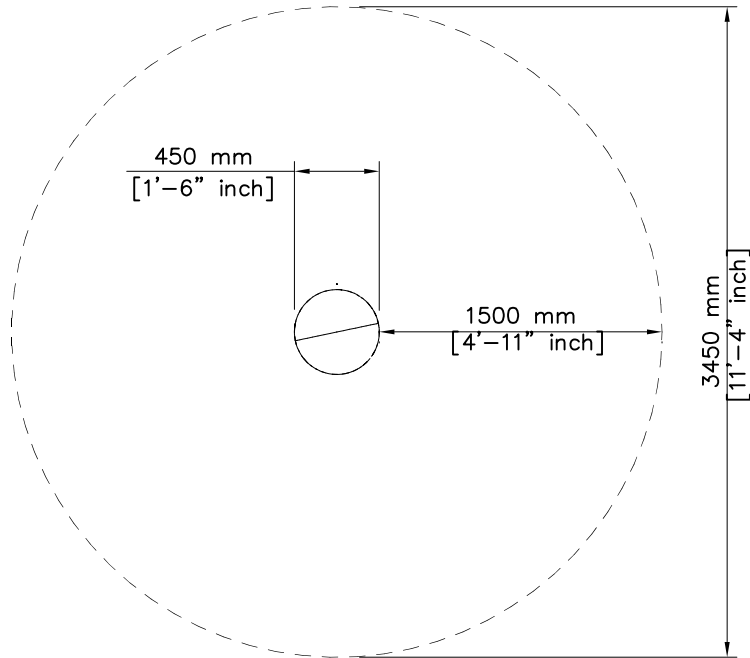
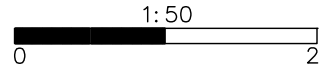
① 701985	PCS	② 702341	PCS
	2		1
		90x50	
③ 902134	PCS	④ 902157	PCS
	2		8
		60x60x2	
⑤ 902424	PCS		PCS
	1		
L 1034			
	PCS		PCS
	PCS		PCS
	PCS		PCS
	PCS		PCS
	PCS		PCS



① 703644	PCS	② 909519	PCS
	1		1
		380x380	
③ 909638	PCS	④ 909639	PCS
	4		4
Ø20/10.5		M10x25	
⑤ 702341	PCS	⑥ 909637	PCS
	1		4
		M10	
	PCS		PCS
	PCS		PCS
	PCS		PCS



----- Falling Space 9.3 m² (100 sq ft)
Max Falling Height 540 mm (1'-9" in)



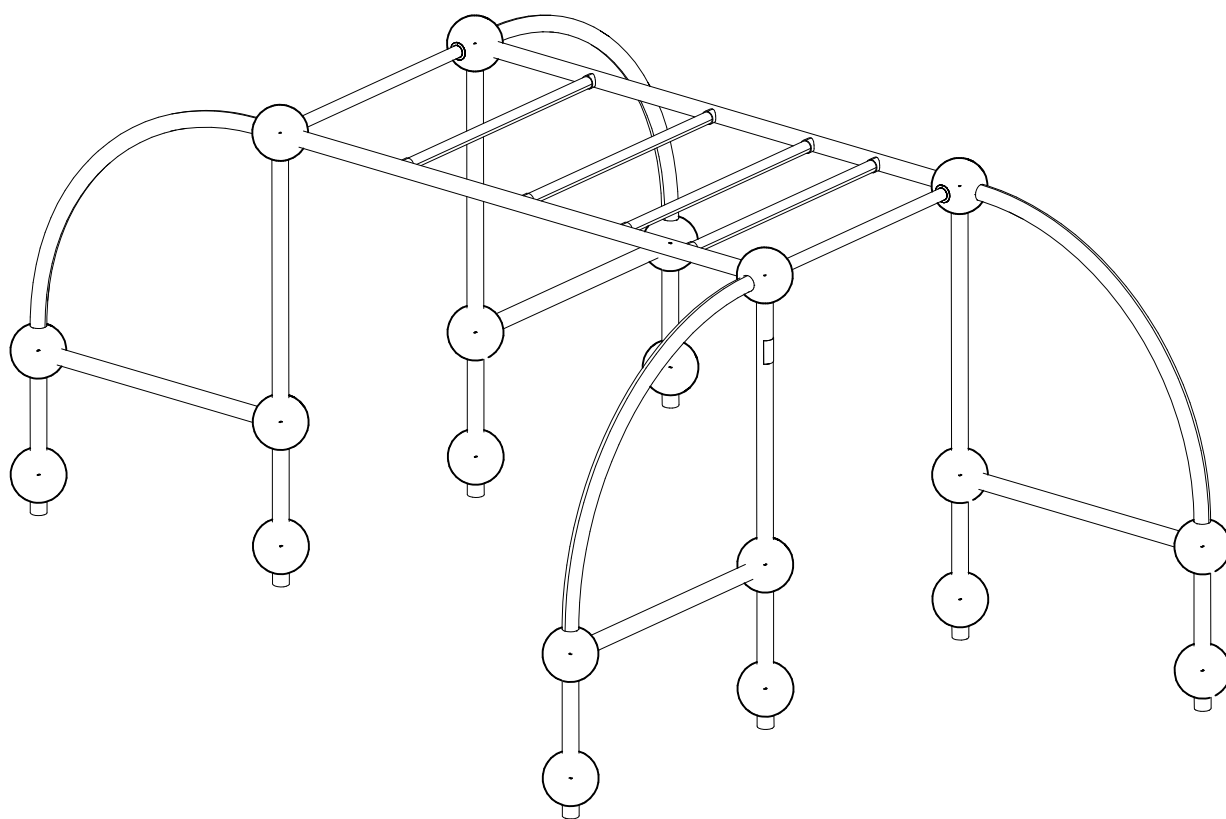
LAPPSET®

PARKOUR

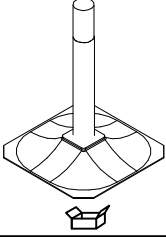

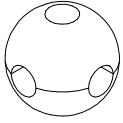
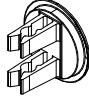

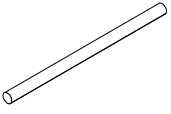
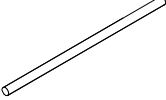
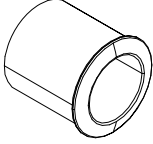
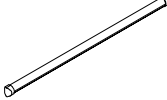
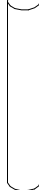
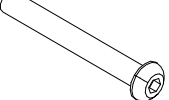
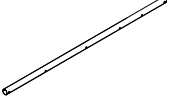
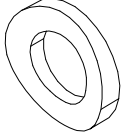
ASENNUSOHJE
MONTERINGSANSVISNING
INSTALLATION INSTRUCTION
AUFBAUANLEITUNG
NOTICE D'INSTALLATION

DATE: 13.3.2013

220510

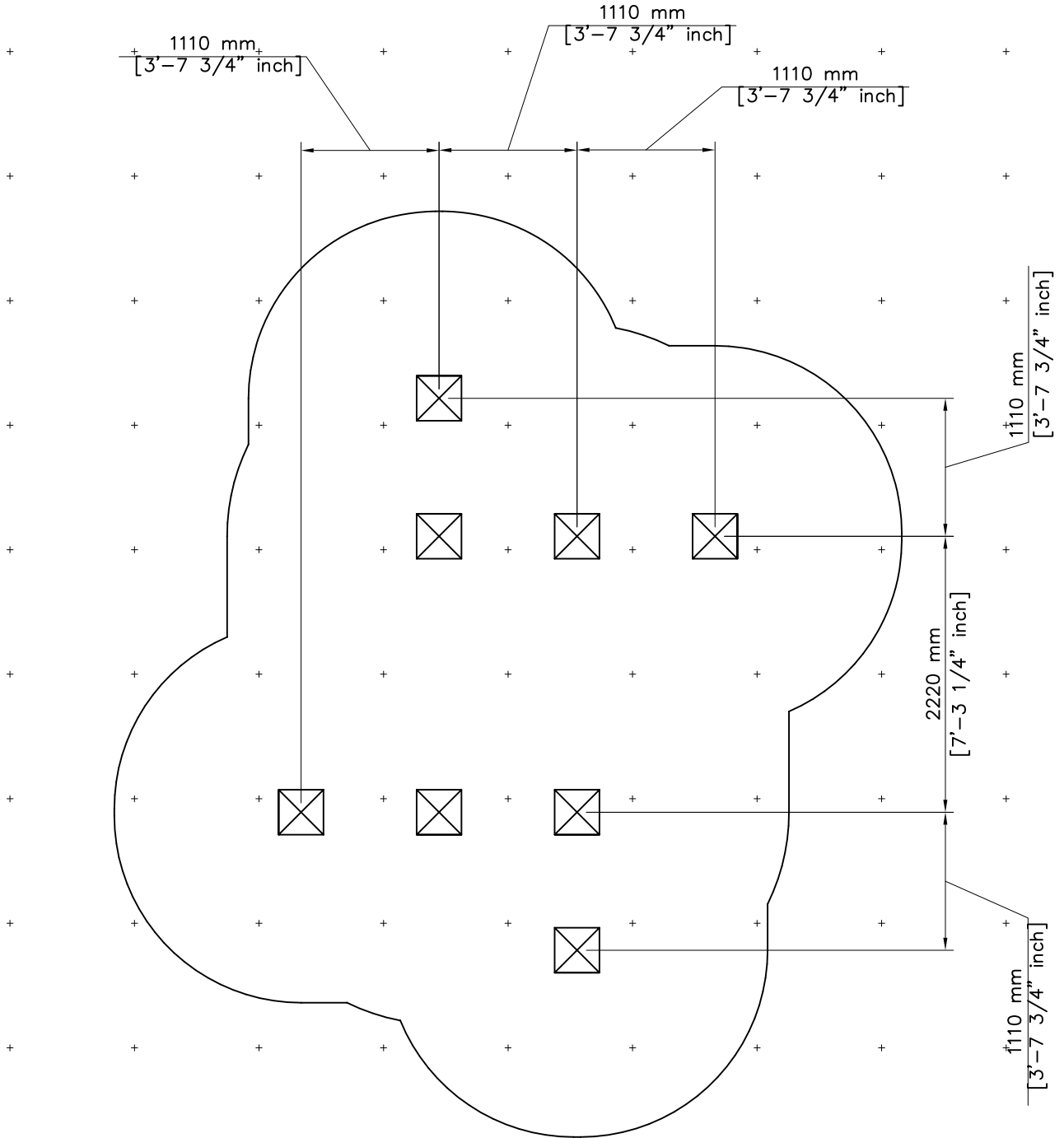
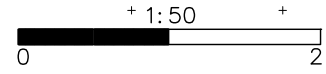


DATE: 13.3.2013

701985  8	PCS 8	702341  1 90x50	PCS 1	902134  20	PCS 20	902157  62 60x60x2	PCS 62	902418  4	PCS 4	902424  8 L 1034	PCS 8
904015  Ø44.5x1034	PCS 2	904100  44.5-60.3	PCS 4	904103  Ø44.5x1073	PCS 4	904132  L 402	PCS 8	904133  M10x80	PCS 8	904134  L 2148	PCS 2
904158  Ø18/10.5	PCS 8		PCS		PCS		PCS		PCS		PCS
	PCS		PCS		PCS		PCS		PCS		PCS
	PCS		PCS		PCS		PCS		PCS		PCS
	PCS		PCS		PCS		PCS		PCS		PCS
	PCS		PCS		PCS		PCS		PCS		PCS

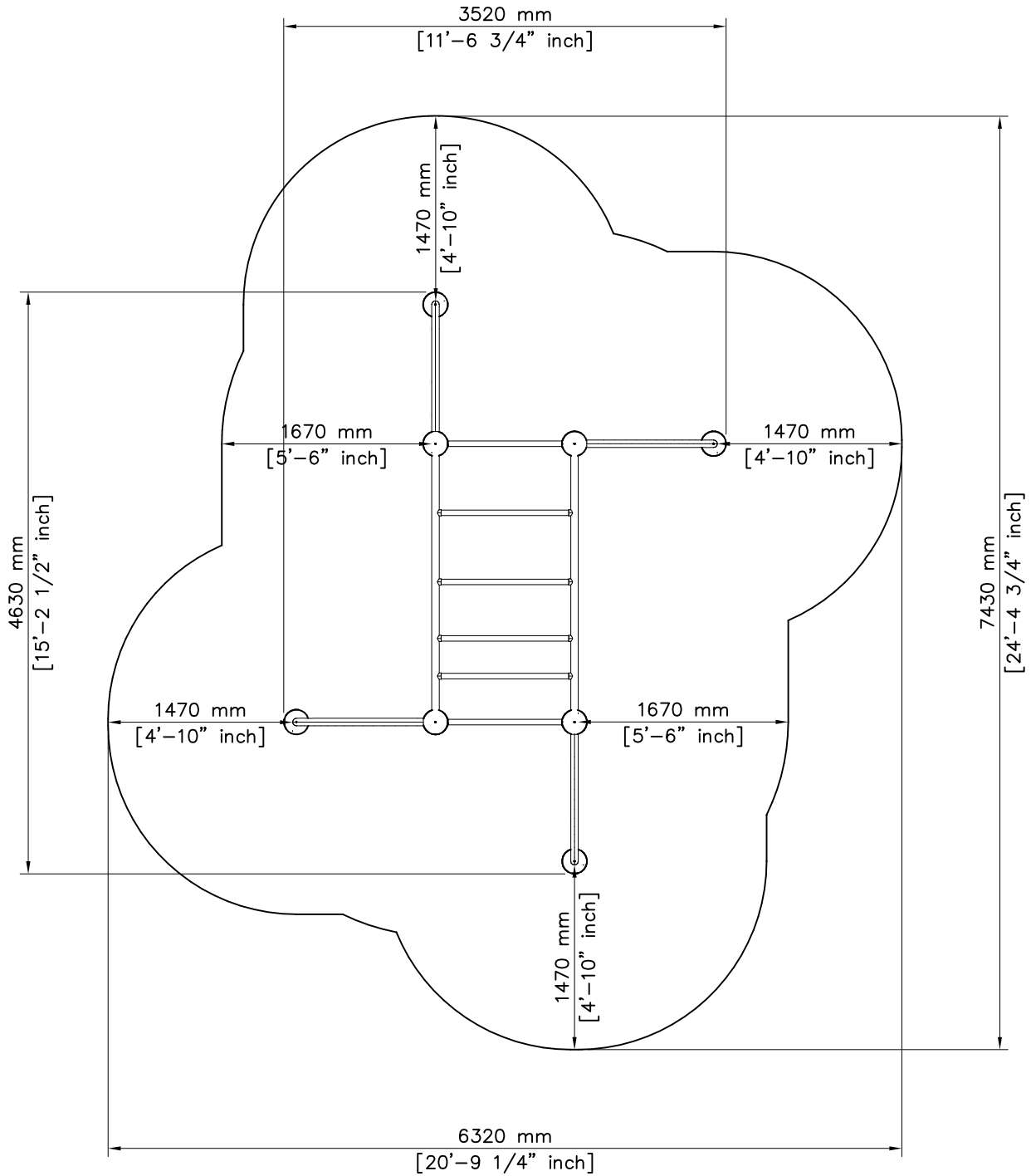
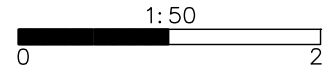
EN Impact Area 31.9+m2 (344 sq ft)

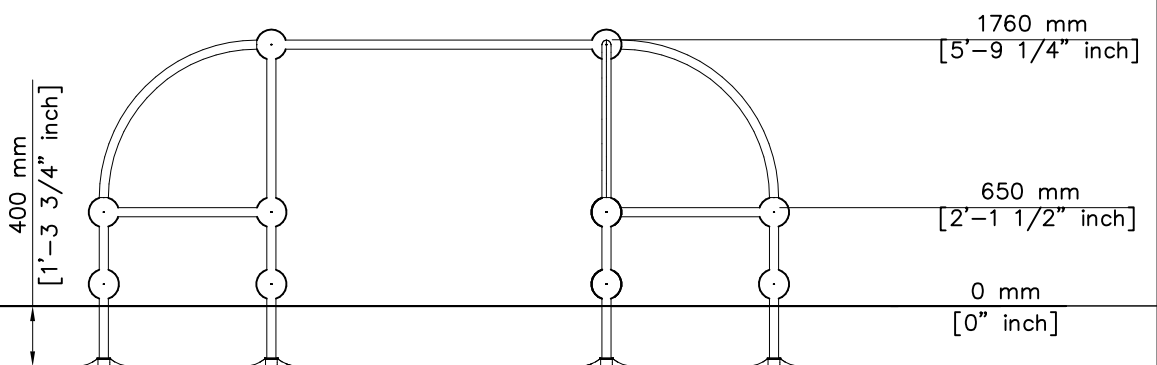
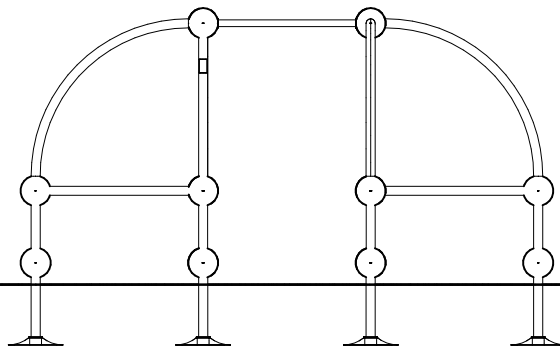
Grid Size 1000 mm (40" in)

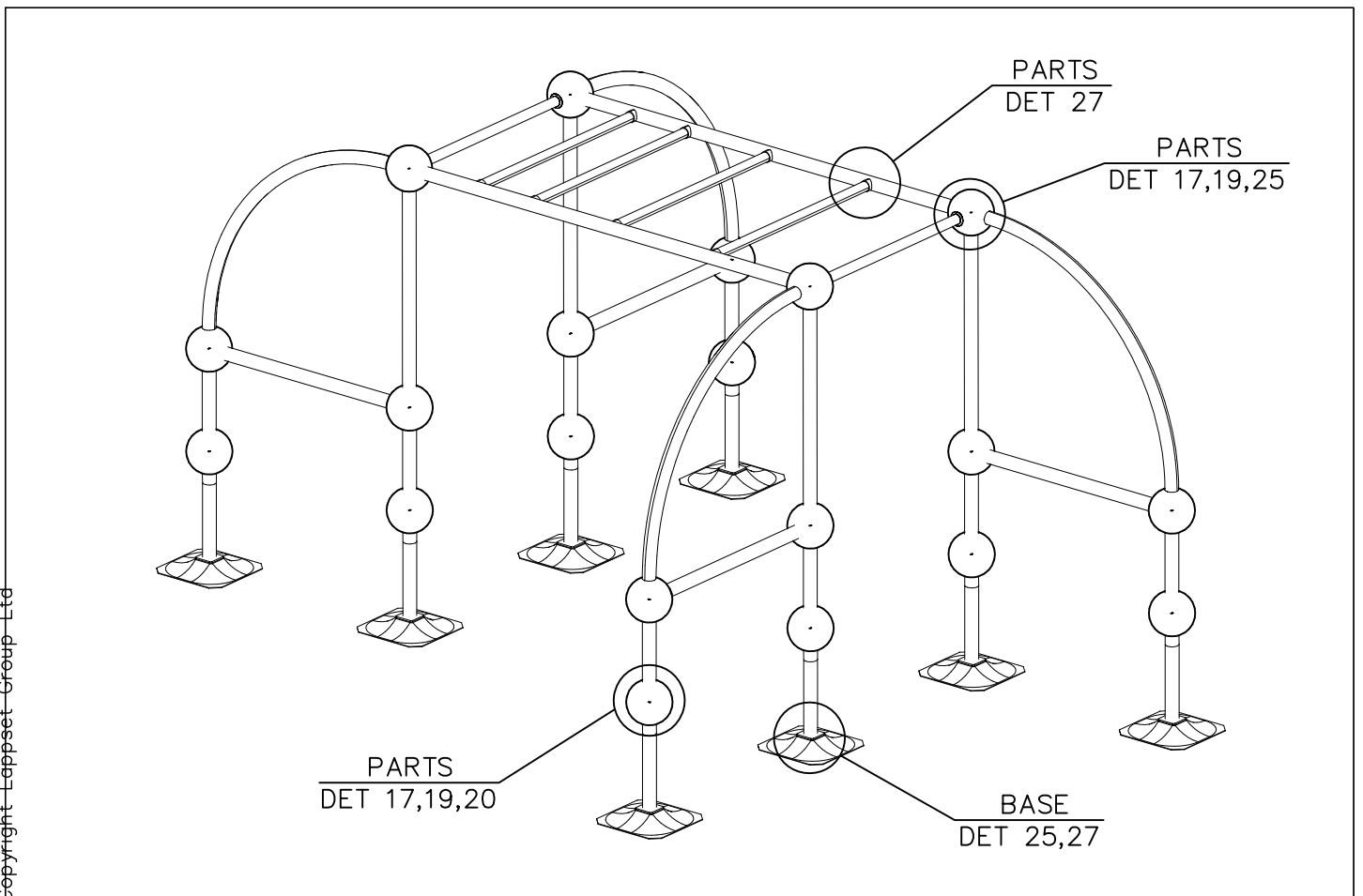
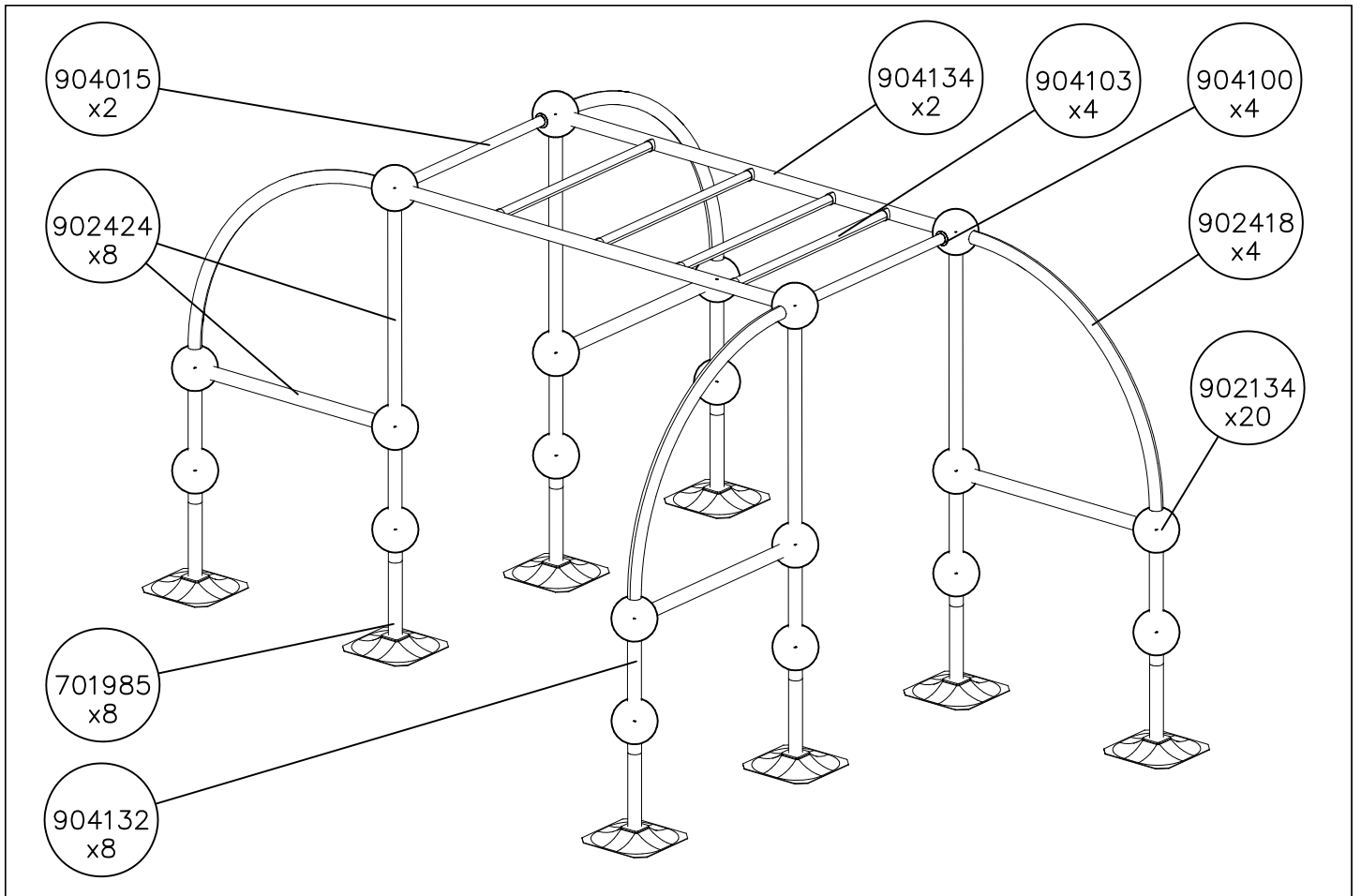


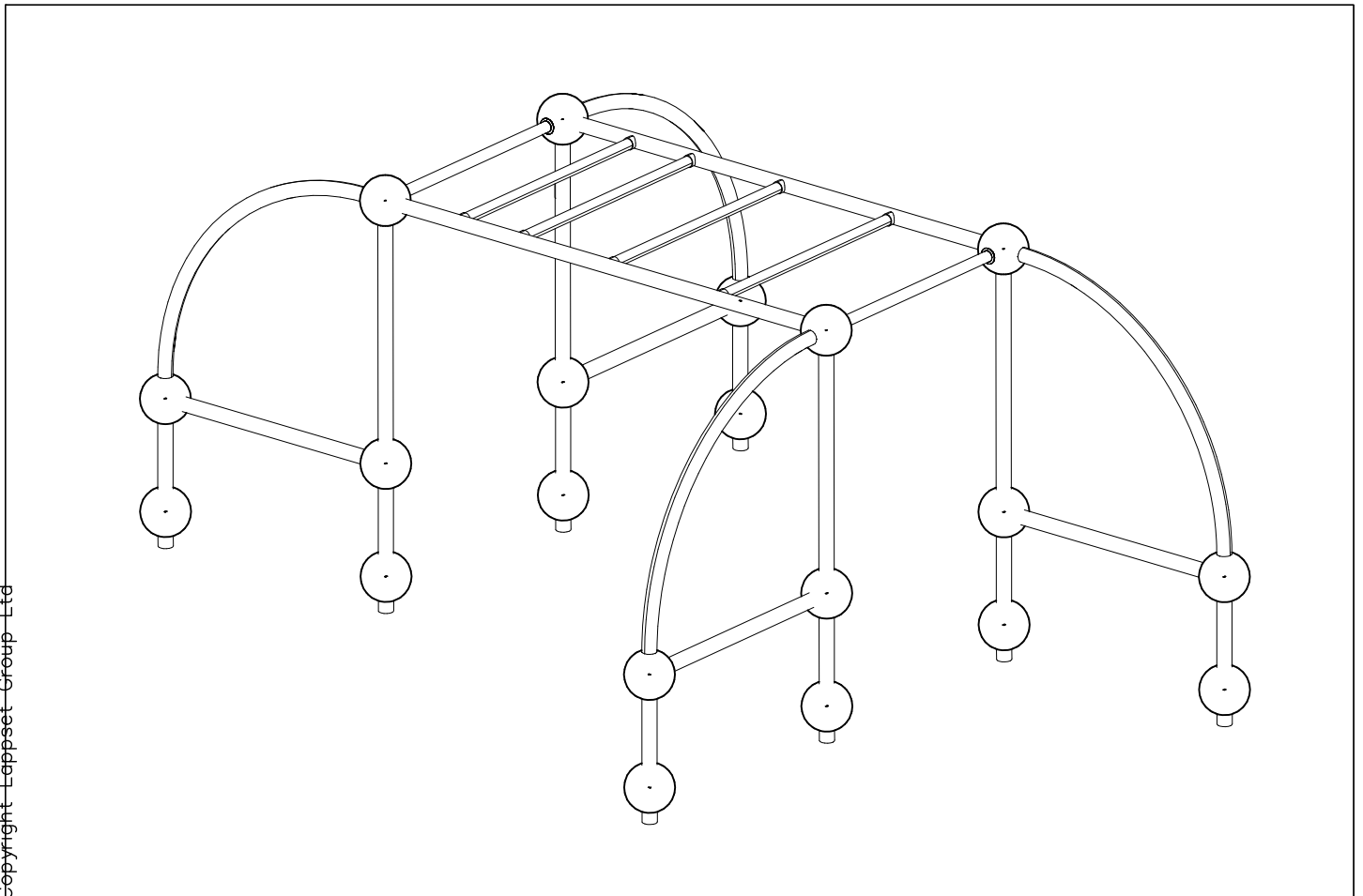
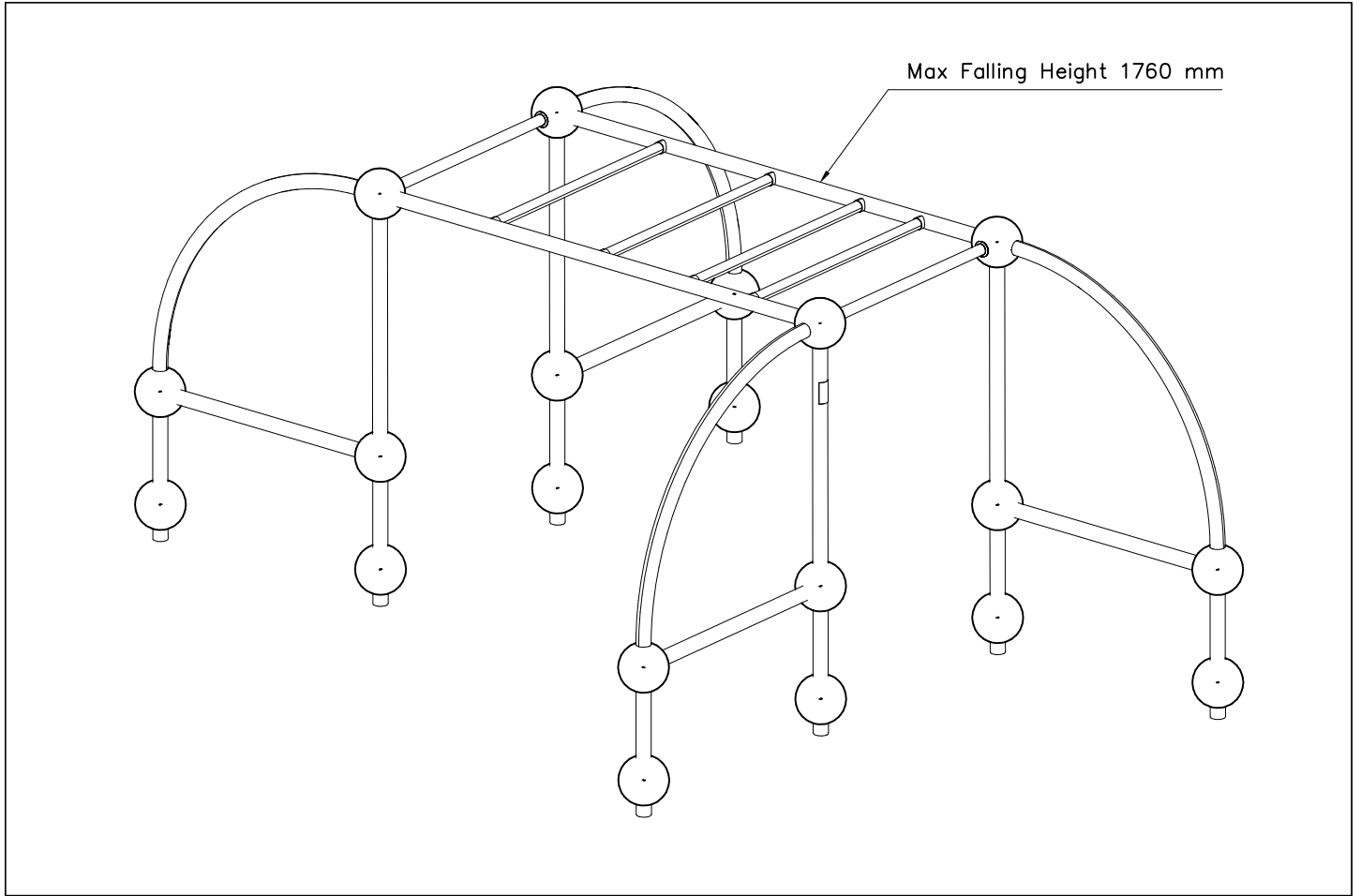
EN Impact Area 31.9 m² (344 sq ft)

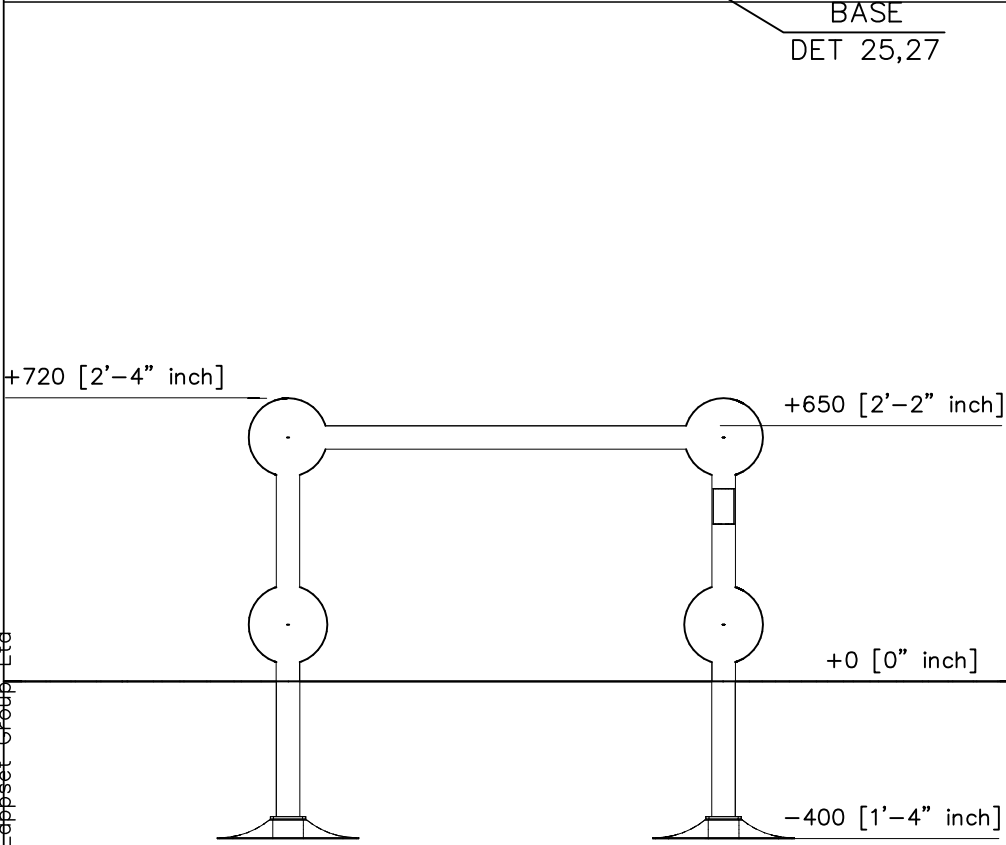
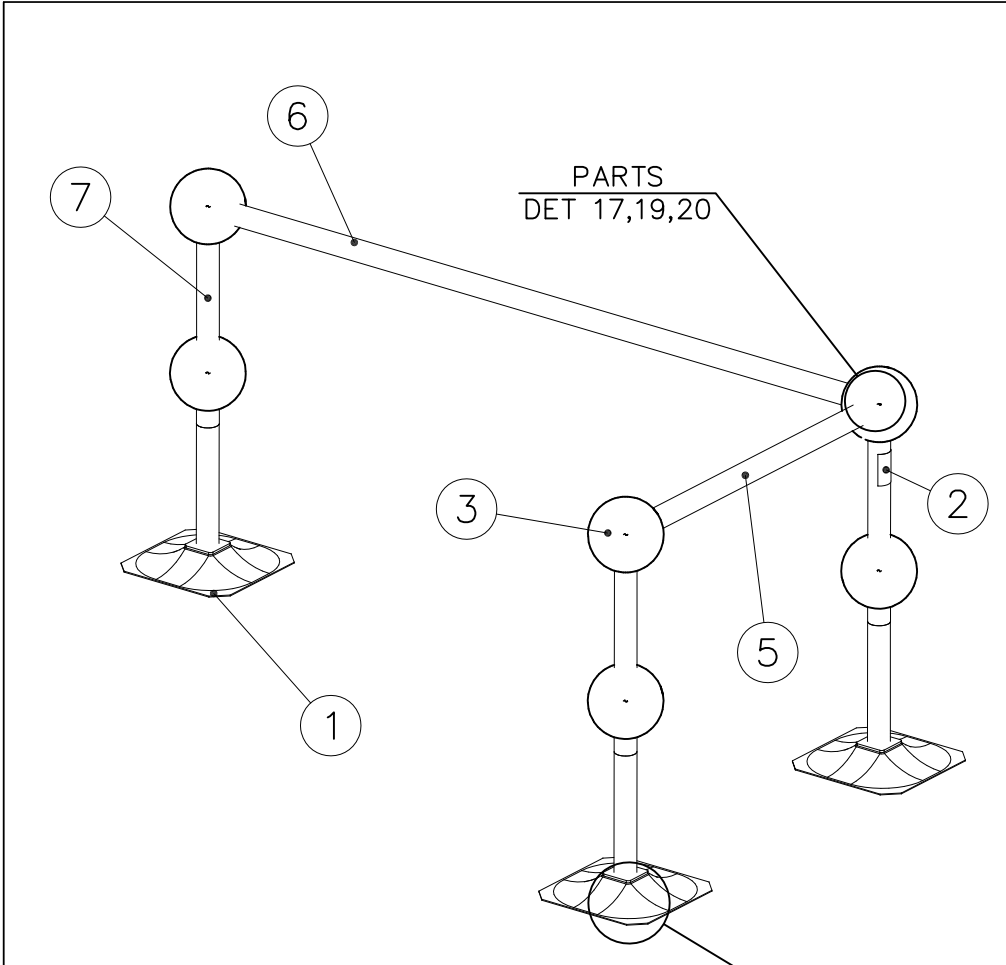
Max Falling Height 1760 mm (5'-9 1/4" in)







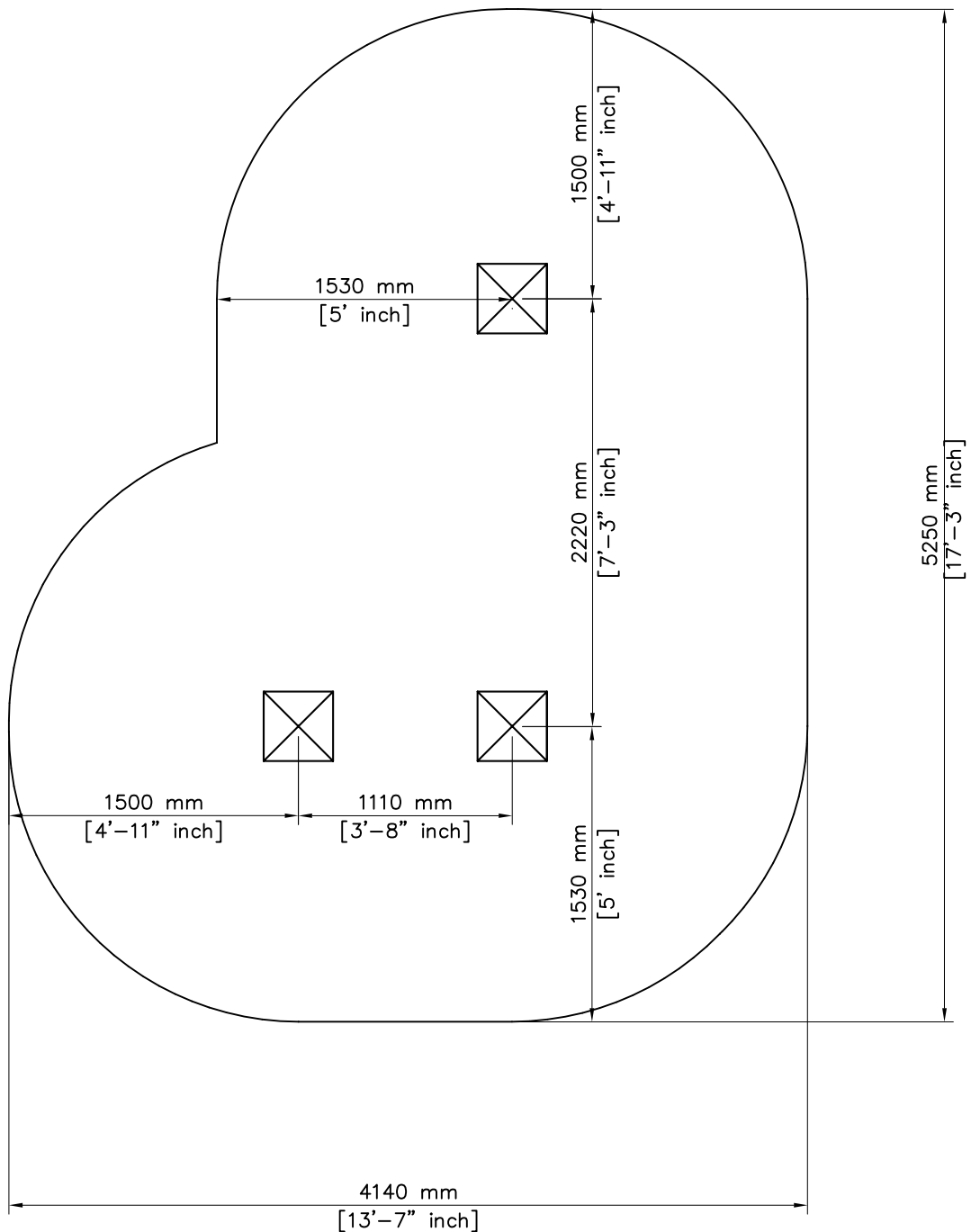




①	701985	PCS	②	702341	PCS
	3			1	
			LAPPSET Group Ltd PO BOX 17 223456 Tel: +45 50 50 50 Fax: +45 50 50 50 www.lappset.com 1. Juni 2013 LAPPSET - LAPPSET TV		
			90x50		
③	902134	PCS	④	902157	PCS
	6			23	
			60x60x2		
⑤	902424	PCS	⑥	904130	PCS
	1			1	
L 1034			L 2148		
⑦	904132	PCS			PCS
	3				
L 402					
		PCS			PCS
		PCS			PCS
		PCS			PCS
		PCS			PCS

EN Impact Area 16.9 m² (182 sq ft)

Max Falling Height 650 mm (2'-2" in)



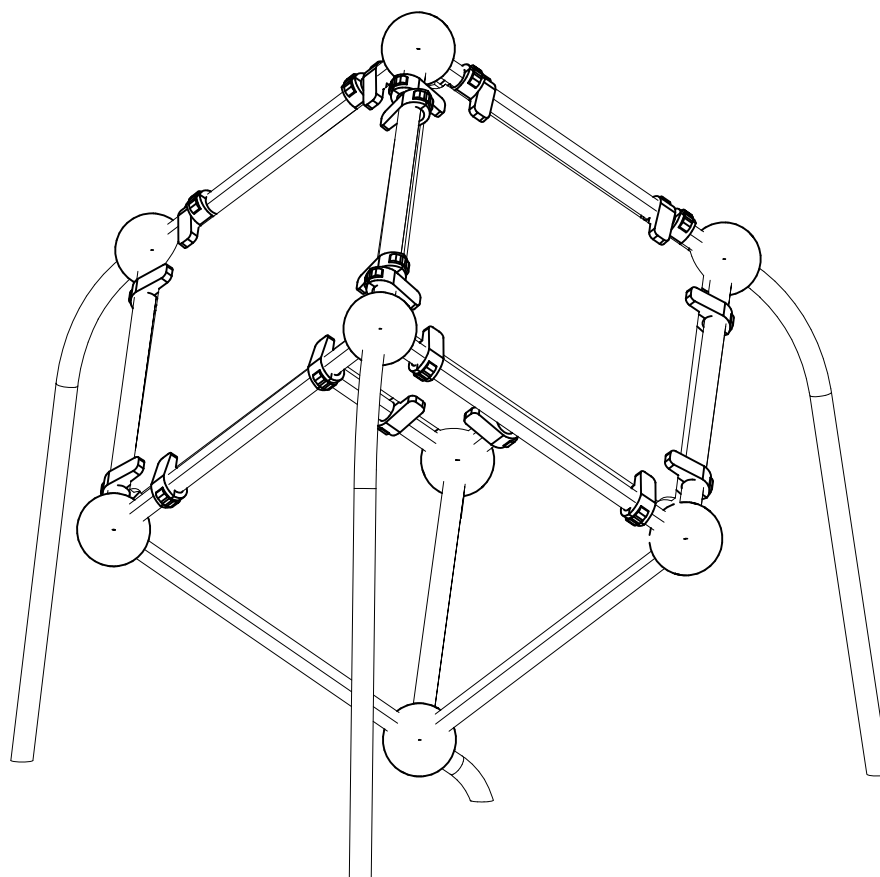
LAPPSET®

PARKOUR


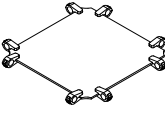

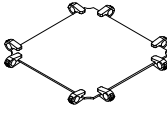

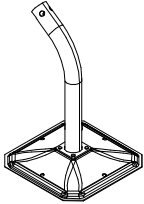



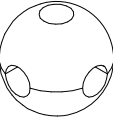

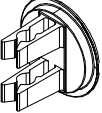
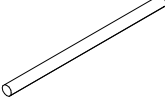
ASENNUSOHJE
MONTERINGSANSVISNING
INSTALLATION INSTRUCTION
AUFBAUANLEITUNG
NOTICE D'INSTALLATION

DATE: 23.2.2015

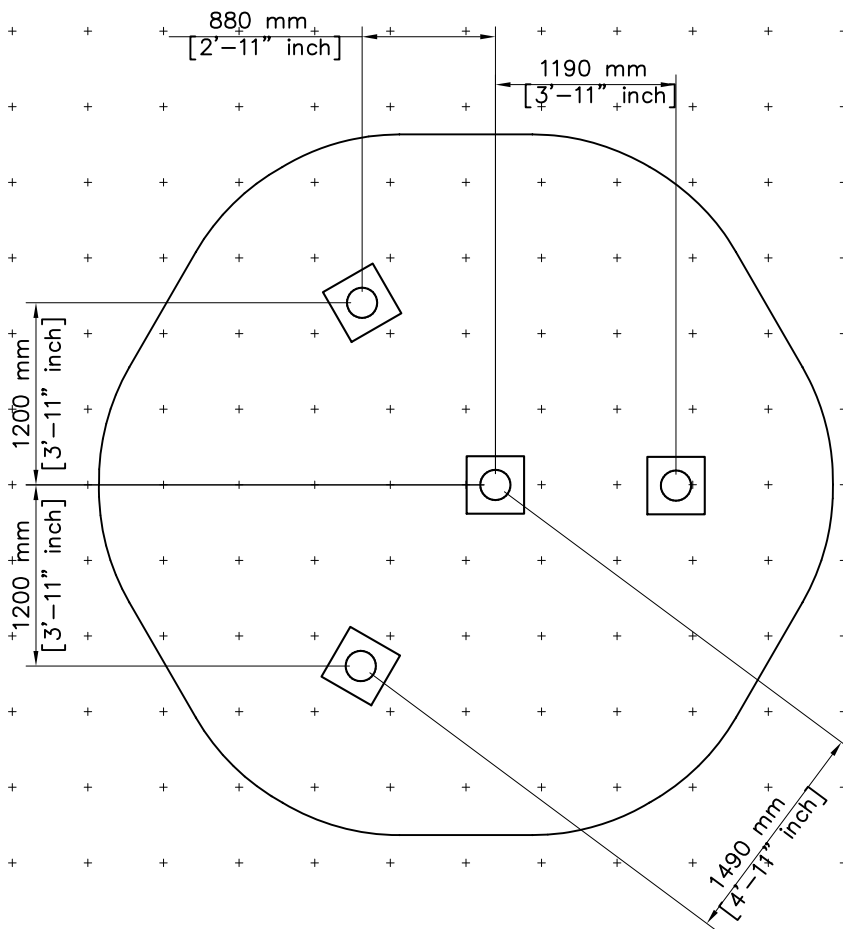
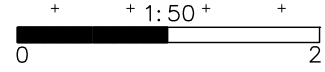
220531



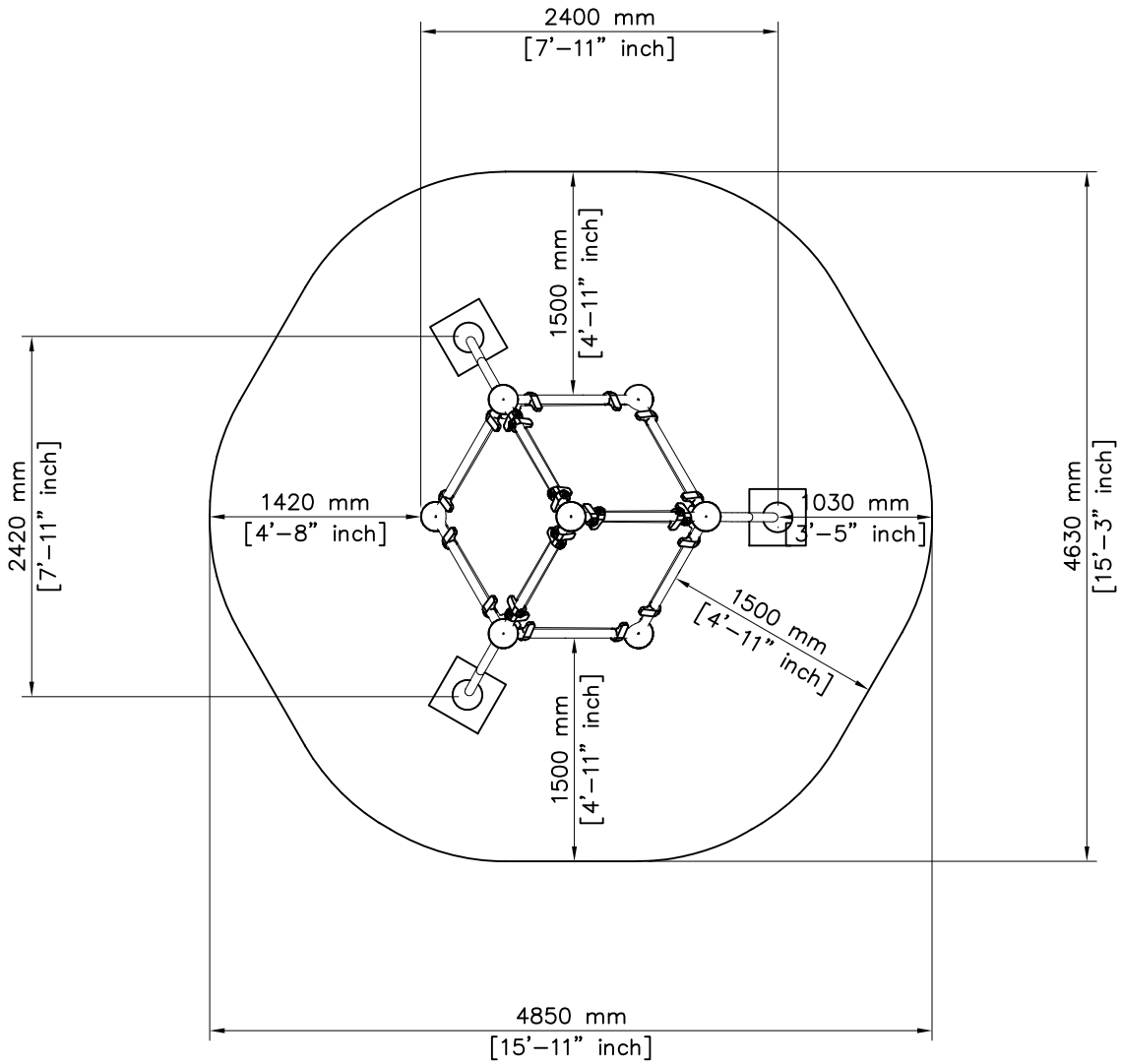
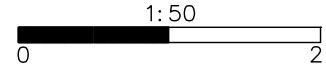
DATE: 23.2.2015

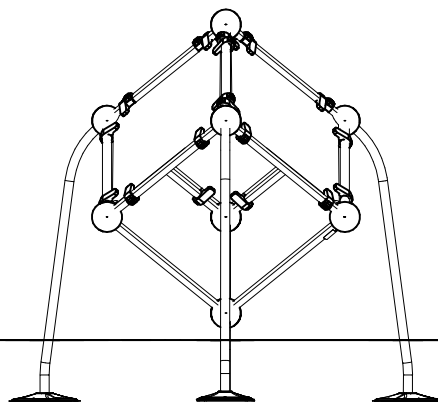
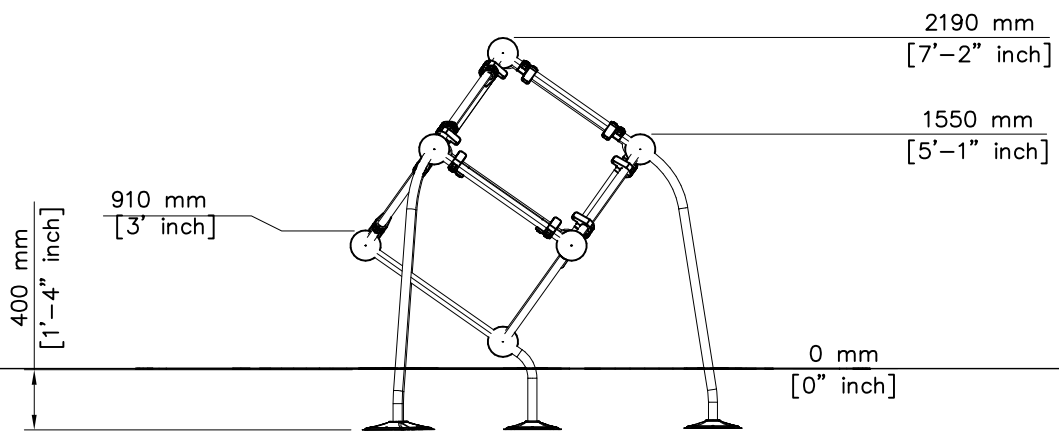
<p>702341</p> <p>PCS</p> <p>1</p>  <p>90x50</p>	<p>703456</p> <p>PCS</p> <p>2</p>  	<p>703459</p> <p>PCS</p> <p>1</p>  	<p>703638</p> <p>PCS</p> <p>1</p>  	<p>703640</p> <p>PCS</p> <p>3</p>  	<p>902134</p> <p>PCS</p> <p>8</p>  
<p>904747</p> <p>PCS</p> <p>20</p>  <p>60x60x2</p>	<p>902424</p> <p>PCS</p> <p>12</p>  <p>L 1034</p>				

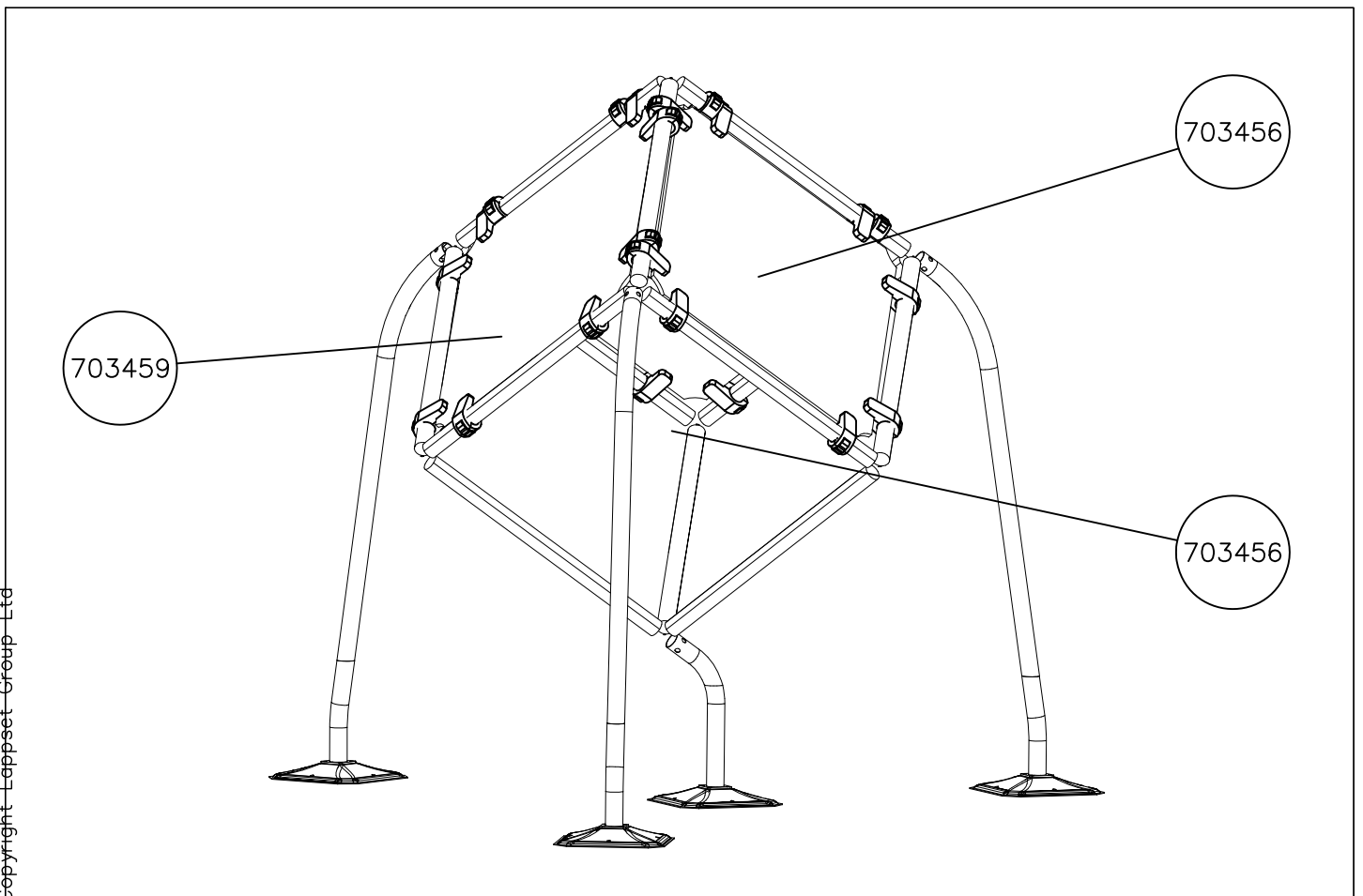
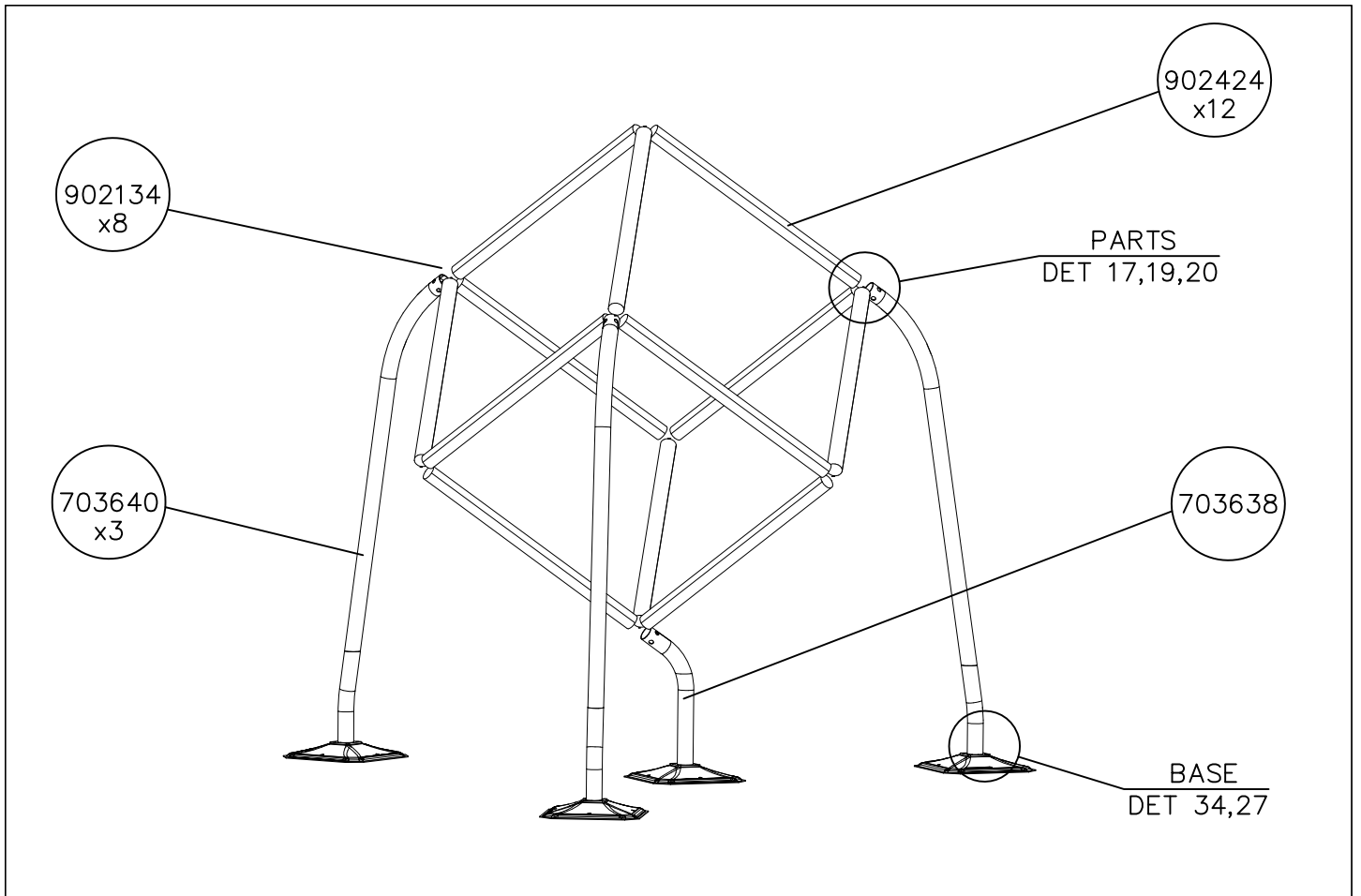
EN/AS Impact Area 17.8 m² (192 sq ft)
Falling Space Area 17.8 m² (192 sq ft)
Grid size = 500 mm (20" in)



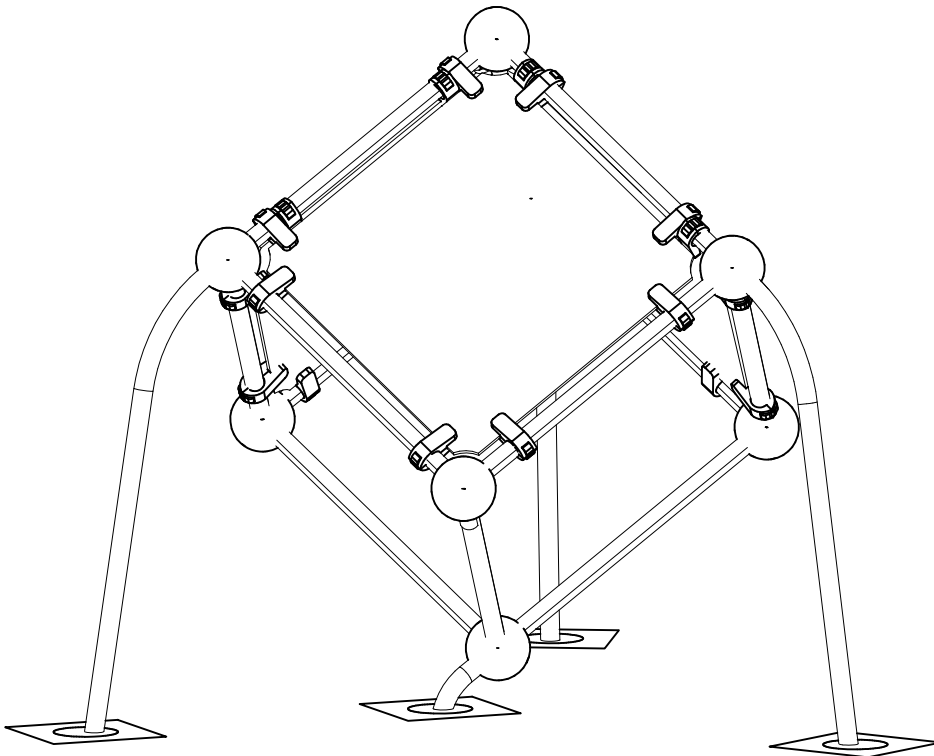
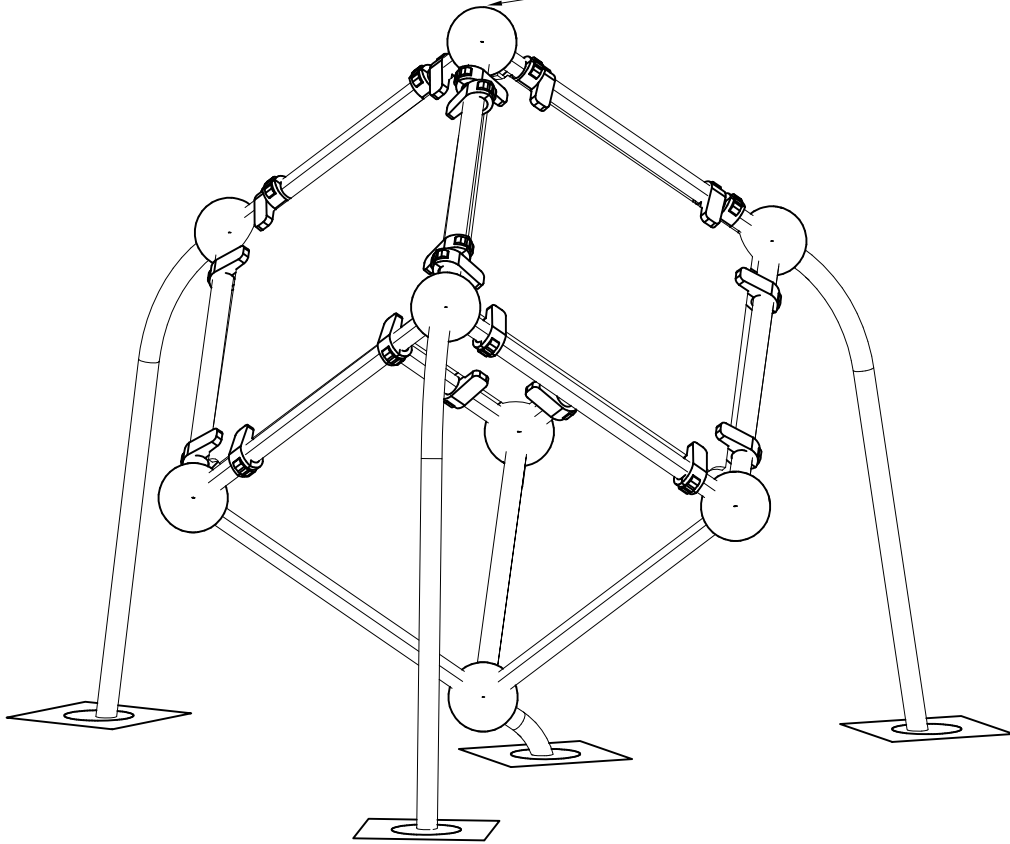
EN Impact Area 17.8 m² (192 sq ft)
Falling Space Area 17.8 m² (192 sq ft)
Max Falling Height 2190 mm (7'-2" in)



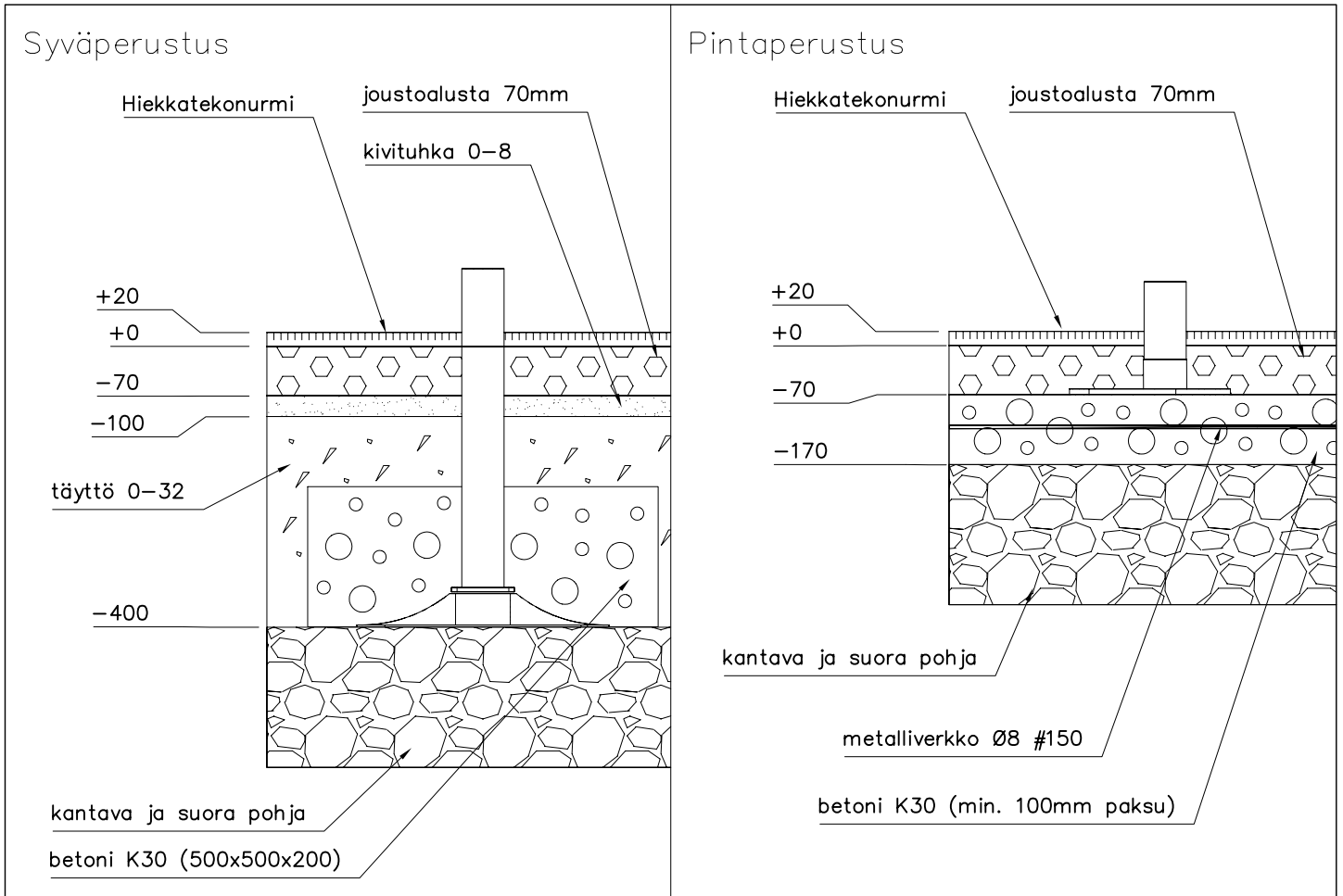




Max Falling Height 2190 mm



DATE: 18.8.2011



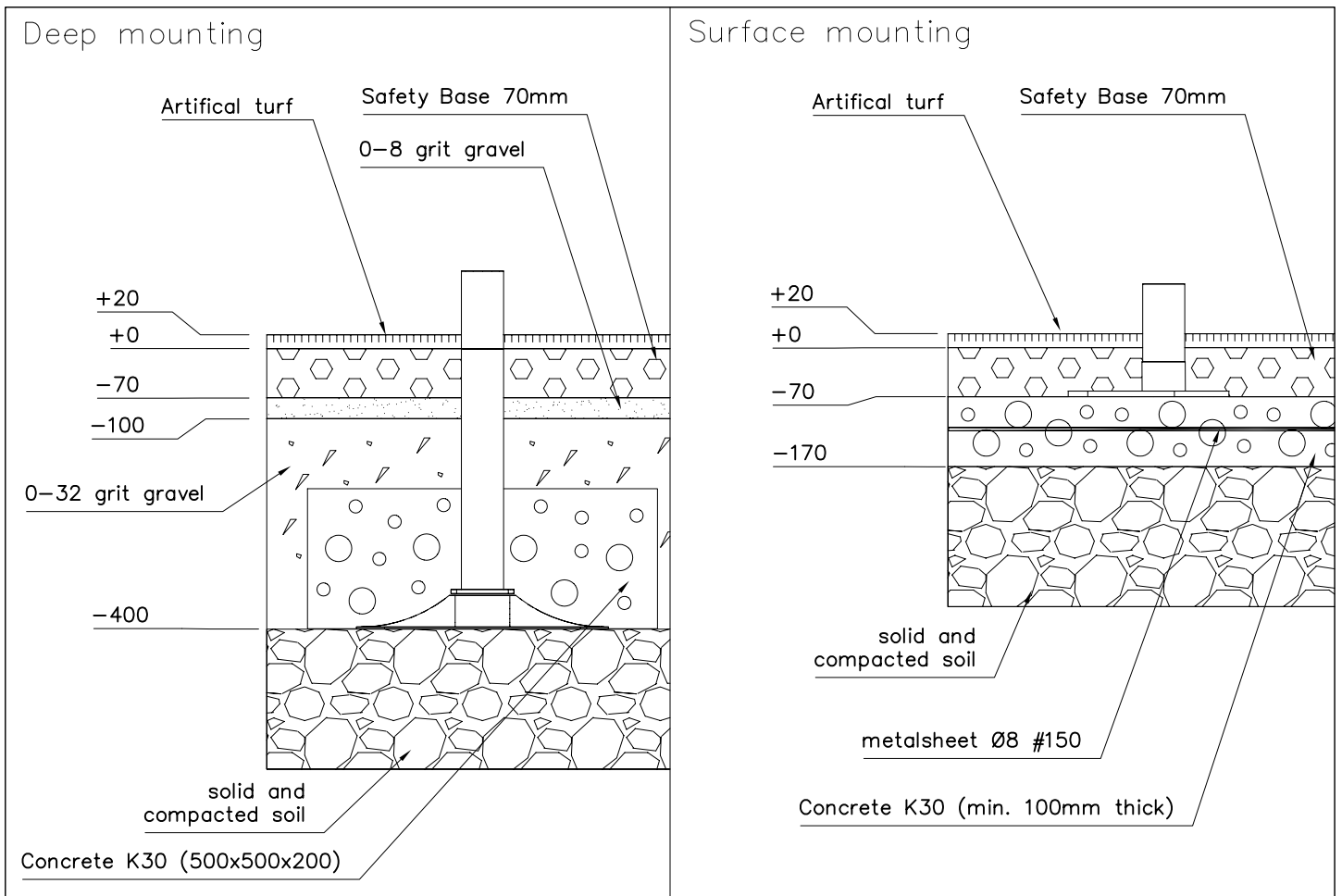
Syväperustus

1. Kaivetaan 400mm syvä kaivanto pinnan korosta. Jotkin välineet tarvitsevat syvämmän kaivannon (katso tuotteiden asennusohjeet).
Huom! Kantava ja suora perustusten pohja.
2. Asennetaan välineet.
3. Valetaan betonit. Jotkin välineet voivat vaatia isomman valun, katso yksittäisten tuotteiden asennusohjeet.
4. Täytetään 0-32 oikeaan korkoon.
5. Tiivistetään täyttö.
6. Täytetään kivituhkalla (0-8) n.30mm kerros jonka jälkeen tasoitetaan ja tiivistetään hyvin.(+/-10mm/4m oikolauta)
7. Tämän jälkeen asennetaan nurmi (katso asennusohje).

Pintaperustus

1. Kaivetaan 170mm syvä kaivanto pinnan korosta.
Huom! Kantava ja suora perustusten pohja.
2. Valetaan betonilaatta (min. 100mm paksu). Koko riippuu kentän koosta (S,M,L).
3. Asennetaan välineet.
4. Asennetaan joustopalat ohjeen mukaisesti (katso asennusohje).
5. Tämän jälkeen asennetaan nurmi (katso asennusohje).

DATE: 18.8.2011



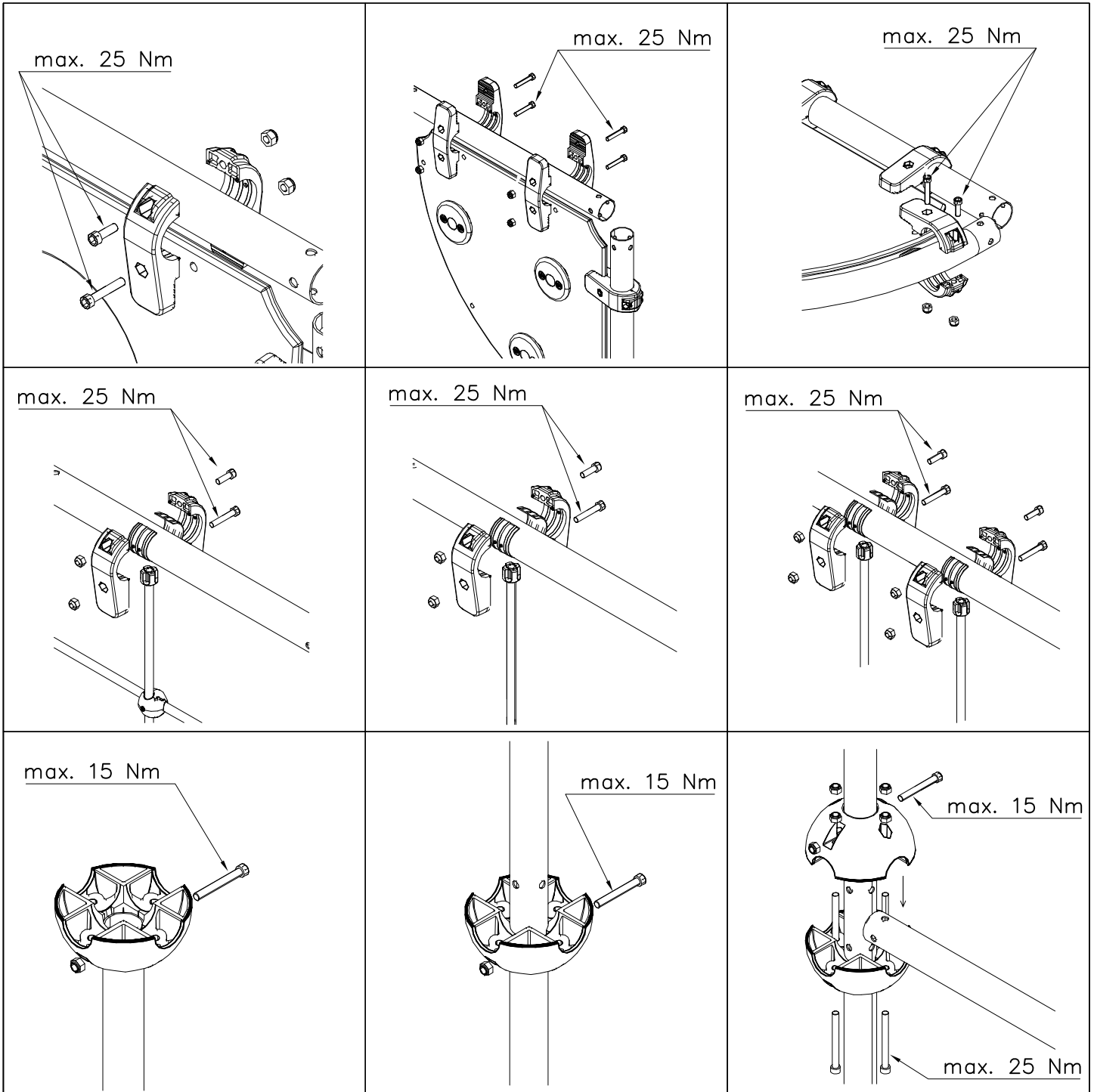
Deep mounting

1. Start by digging 400 mm deep excavation. Some equipment may need more depth, see assembly instructions for individual equipment.
2. Assemble the equipment according to assembly instructions.
3. Make concrete blocks. Some equipment may need bigger block, see assembly instructions.
4. Fill with 0–32 grit to correct level.
5. Compact the layer.
6. Spread 30 mm thick layer using grit 0–8 gravel. Compact and level it thoroughly. (+/-10mm/4m)
7. Assemble the safety base according to assembly instructions.
8. Assemble the turf according to assembly instructions.

NOTE: Also the soil below the starting level (-400) needs to be solid and compact.

Surface mounting

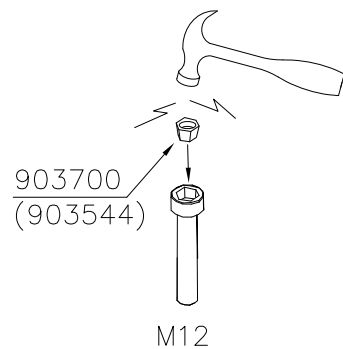
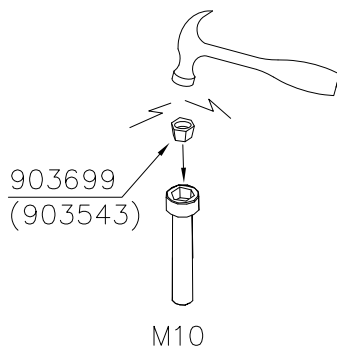
1. Start by digging 170 mm deep excavation.
2. Make concrete plate, see illustration (min. 100mm thick). Size depends on the size of the Parkour field (S,M,L).
3. Assemble the equipment according to assembly instructions.
4. Assemble the safety base according to assembly instructions.
5. Assemble the turf according to assembly instructions.



Security plugs are included only for selected products.

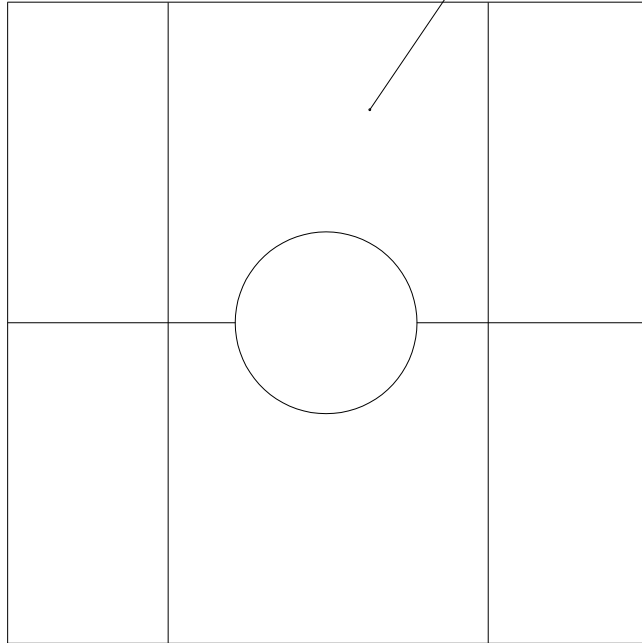
Hox!
Pultit on kiristettävä lopulliseen kireyteen, ennen turvapinnien asennusta.

Note!
Tighten bolts properly, before installing security plugs.



												
<p>$h < 600$</p> <p>Without movement and therefore without Impact Area</p>	<p>Totally hard surfaces.</p> <p>Note. Lappset does <u>not recommend</u> totally hard surfaces at all.</p>	<p>E.g. concrete or asphalt</p> 										
<p>$h < 600$</p> <p>With movement e.g. rocking</p>	<p>Materials with very limited impact attenuating properties.</p>	<p>E.g. wood</p> 										
<p>$h < 1000$</p>	<p>Materials with significant impact attenuating properties.</p>	<p>fine gravel 0–8 mm</p>  <p>grass</p>  <p>unsorted sand</p> 										
<p>$h < 3000$</p>	<p>Loose fill material</p> <p>E.g. sand/gravel 0,25...8 mm D60/D10<3,0 Woodchips 5...30 mm bark 20...80 mm</p>	 <table data-bbox="1021 1691 1332 1792"> <tr> <td>\underline{S}</td> <td>\underline{h}</td> </tr> <tr> <td>30 cm</td> <td>< 2,0 m</td> </tr> <tr> <td>40 cm</td> <td>< 3,0 m</td> </tr> </table>	\underline{S}	\underline{h}	30 cm	< 2,0 m	40 cm	< 3,0 m				
\underline{S}	\underline{h}											
30 cm	< 2,0 m											
40 cm	< 3,0 m											
	<p>Syntethic granulates</p> <table data-bbox="406 1892 758 2060"> <tr> <td>\underline{S}</td> <td>\underline{h}</td> </tr> <tr> <td>40 mm</td> <td>~> 1,2...1,3 m</td> </tr> <tr> <td>50 mm</td> <td>~> 1,5...1,7 m</td> </tr> <tr> <td>60 mm</td> <td>~> 1,8...2,0 m</td> </tr> <tr> <td>70 mm</td> <td>~> 2,1...2,5 m</td> </tr> </table> <p>Note. For accurate values, see manufacturer's instructions.</p>	\underline{S}	\underline{h}	40 mm	~> 1,2...1,3 m	50 mm	~> 1,5...1,7 m	60 mm	~> 1,8...2,0 m	70 mm	~> 2,1...2,5 m	
\underline{S}	\underline{h}											
40 mm	~> 1,2...1,3 m											
50 mm	~> 1,5...1,7 m											
60 mm	~> 1,8...2,0 m											
70 mm	~> 2,1...2,5 m											

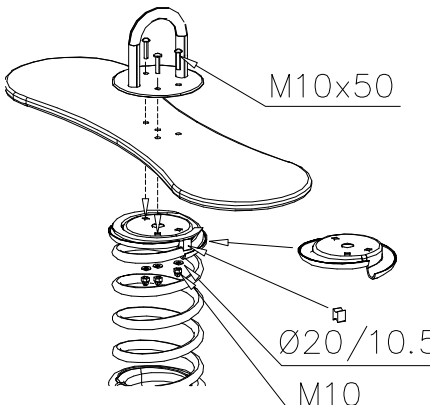
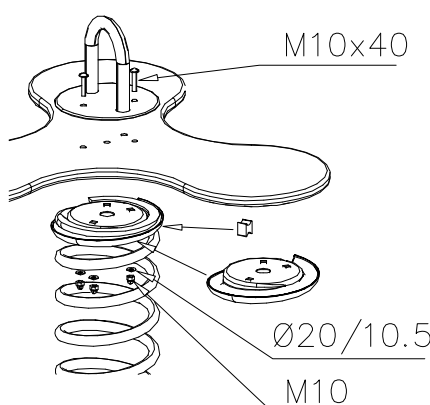
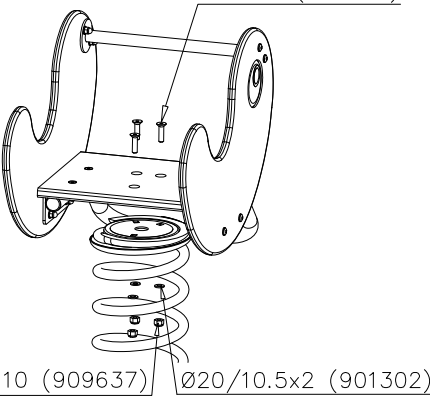
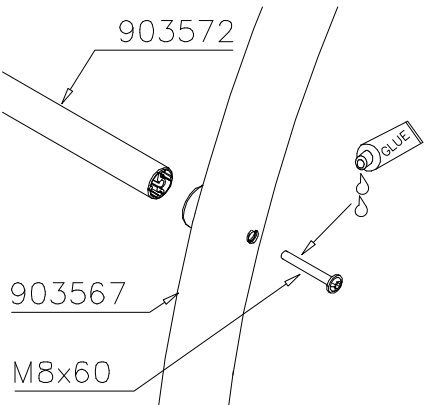
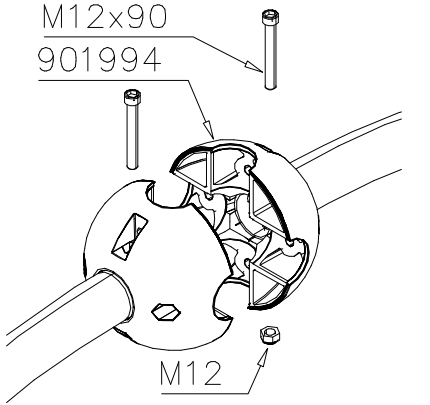
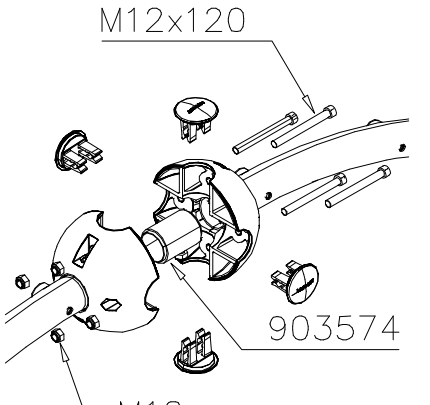
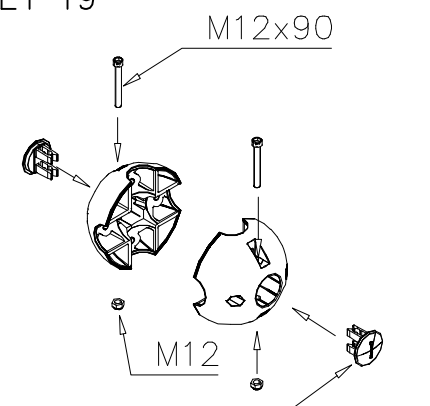
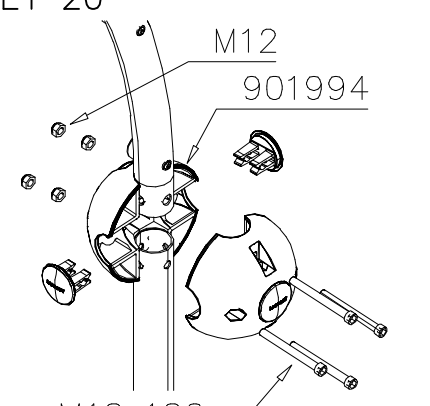
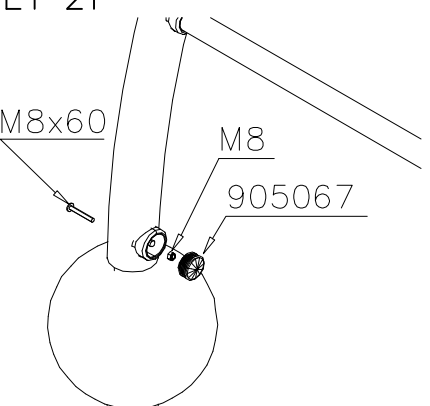
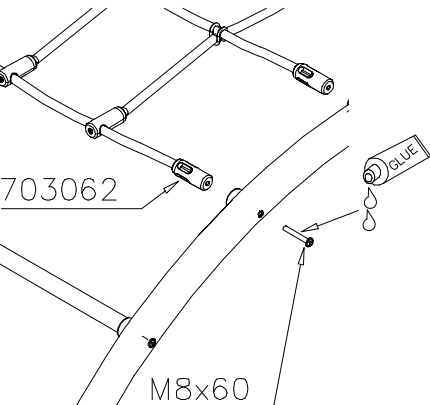

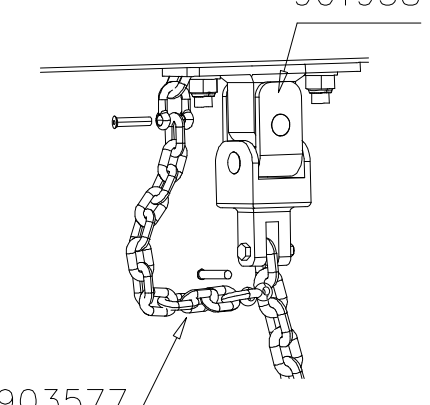
REMOVE SAFETY SURFACE/SAND/GRAVEL
TO CHECK FOUNDATION



REMOVE SAFETY SURFACE/SAND/GRAVEL
TO CHECK FOUNDATION



<p>DET 1</p> <p>M8x50</p> <p>702845</p> <p>M8</p>	<p>DET 2</p> <p>M8x60</p> <p>902625</p> <p>702845</p> <p>M8</p>	<p>DET 3</p>
<p>DET 4</p> <p>CUT EXTRA CHAIN</p>	<p>DET 5</p> <p>90Nm</p> <p>M12x110</p> <p>Ø24/13</p> <p>901958</p> <p>M8x35</p> <p>Ø24/13</p> <p>M12 NYLOC</p> <p>M8</p> <p>CUT EXTRA CHAIN</p>	<p>DET 6</p> <p>M12x120</p> <p>Ø24/12</p> <p>904801</p> <p>907621</p> <p>901958</p> <p>M8x35</p> <p>Ø24/13</p> <p>M12 NYLOC</p> <p>M8</p> <p>CUT EXTRA CHAIN</p>
<p>DET 7</p> <p>M12x40</p> <p>M12</p> <p>902012</p>	<p>DET 8</p> <p>NOTE: Aluminum thread fasten carefully.</p> <p>903388</p> <p>M8x30</p>	<p>DET 9</p> <p>NOTE: Aluminum thread fasten carefully.</p> <p>702850</p> <p>M8x30</p> <p>903388</p>
<p>DET 10</p> <p>902623</p> <p>M8</p> <p>Ø16/8.4</p> <p>Ø16/8.4</p> <p>M8x30</p>	<p>DET 11</p> <p>M8x30</p> <p>Ø16/8.4</p> <p>M8</p>	<p>DET 12</p> <p>902624</p>

<p>DET 13</p>  <p>M10x50 Ø20/10.5 M10</p>	<p>DET 14</p>  <p>M10x40 Ø20/10.5 M10</p>	<p>DET 15</p>  <p>M10x40 (901487) M10 (909637) Ø20/10.5x2 (901302)</p>
<p>DET 16</p>  <p>903572 903567 M8x60 GLUE</p>	<p>DET 17</p>  <p>M12x90 901994 M12</p>	<p>DET 18</p>  <p>M12x120 903574 M12</p>
<p>DET 19</p>  <p>M12x90 902157 M12</p>	<p>DET 20</p>  <p>M12 901994 M12x120</p>	<p>DET 21</p>  <p>M8x60 M8 905067</p>
<p>DET 22</p>  <p>703062 M8x60 GLUE</p>	<p>DET 23</p> 	<p>DET 24</p>  <p>901958 903577</p>

DET 25-26

M12x120

904100

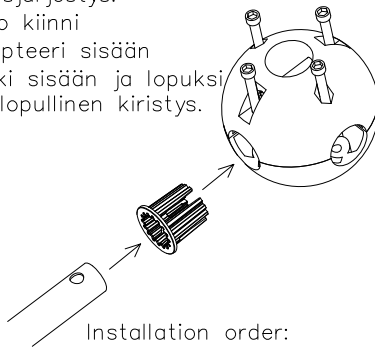
904015

904102

Kun putken pää osuu adapterin kynsiin, adapteri tiukentuu paikoilleen.

Asennusjärjestys:

- 1) Pallo kiinni
- 2) Adapteri sisään
- 3) putki sisään ja lopuksi pallon lopullinen kiristys.



Installation order:

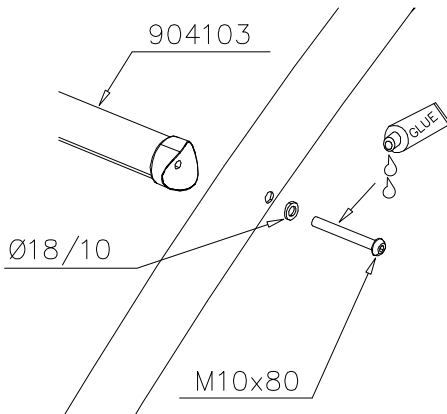
- 1) Close the ball
- 2) Insert adapter
- 3) Insert tube and tighten screws.

DET 27

904103

Ø18/10

M10x80



DET 28

906621

M12x35
(909347)

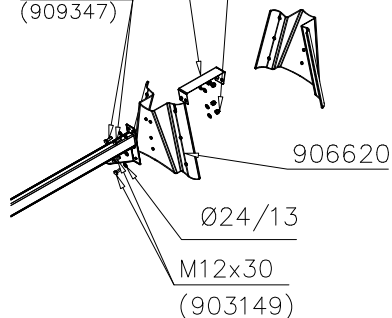
M12

906620

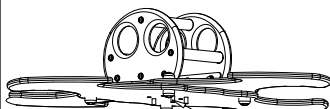
Ø24/13

M12x30
(903149)

M12 → 60 Nm



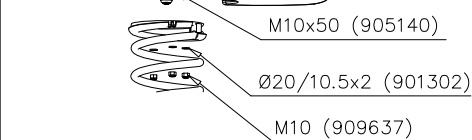
DET 29



M10x50 (905140)

Ø20/10.5x2 (901302)

M10 (909637)



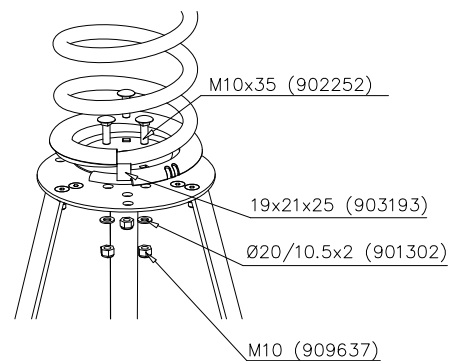
DET 30

M10x35 (902252)

19x21x25 (903193)

Ø20/10.5x2 (901302)

M10 (909637)



DET 31

M12 → 60 Nm

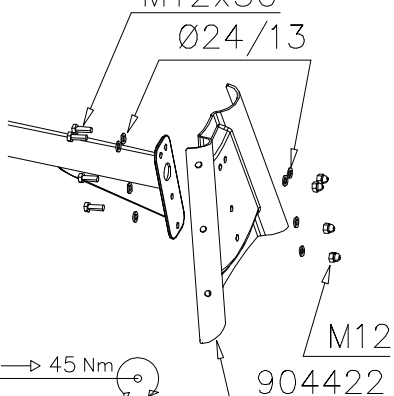
M12x30

Ø24/13

M10 → 45 Nm

M12

904422



DET 32

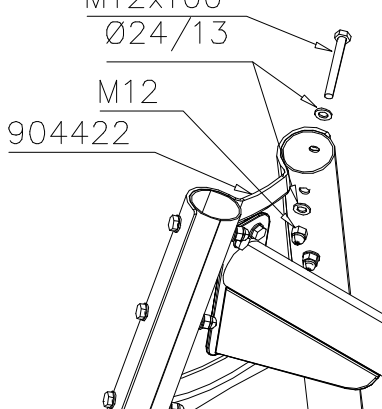
M12 → 60 Nm

M12x100

Ø24/13

M12

904422



DET 33

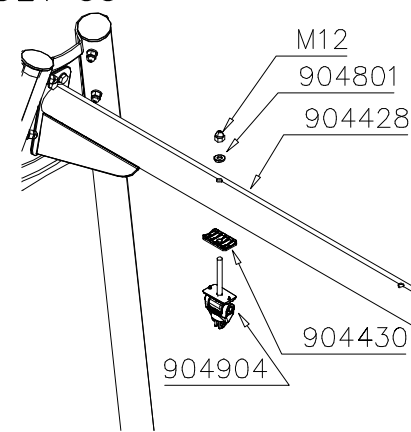
M12

904801

904428

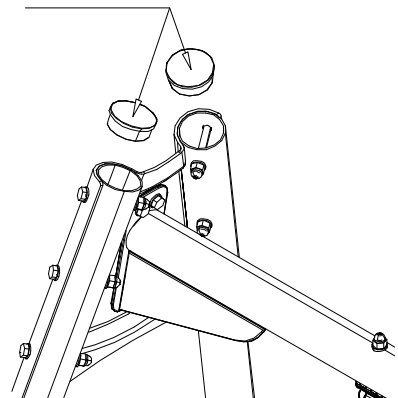
904430

904904

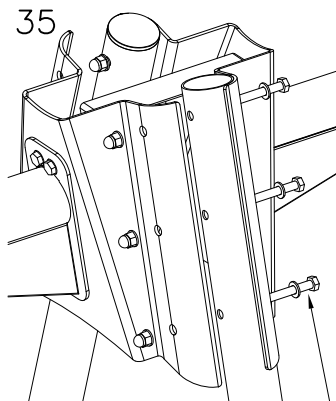


DET 34

904800

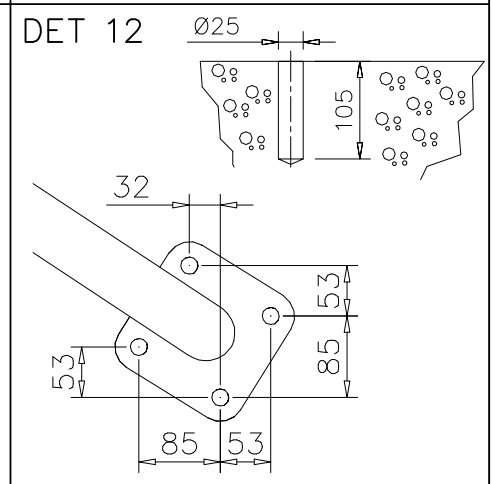
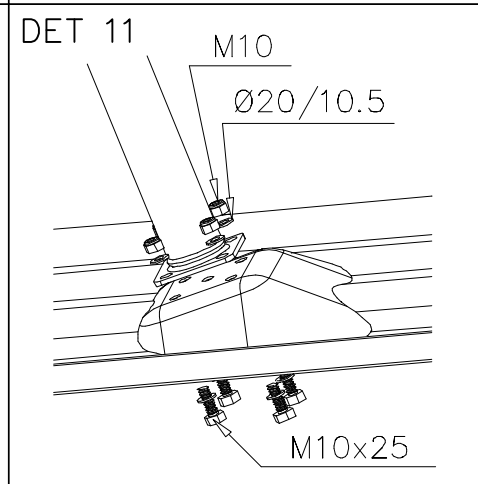
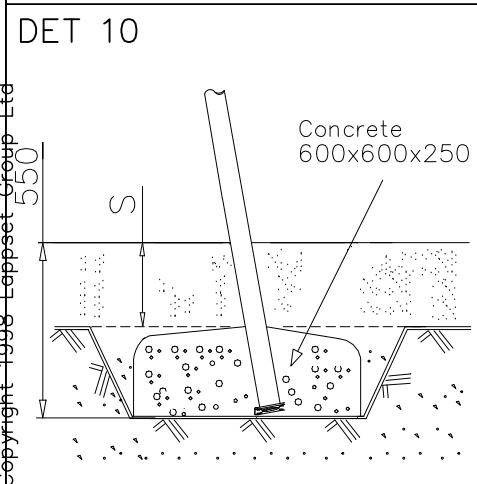
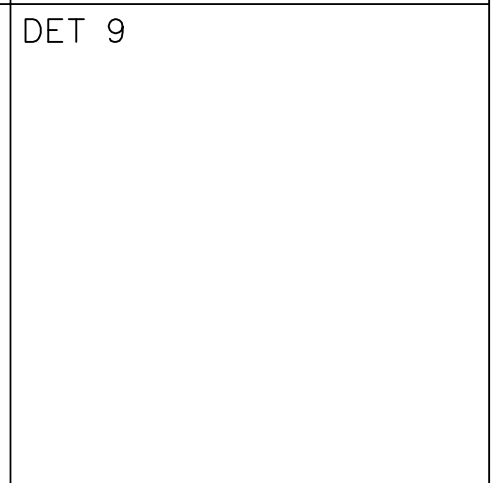
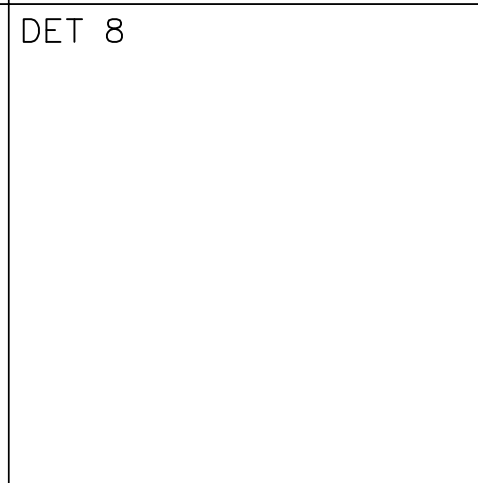
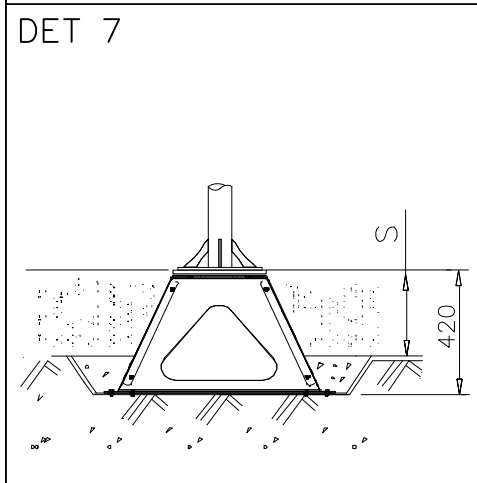
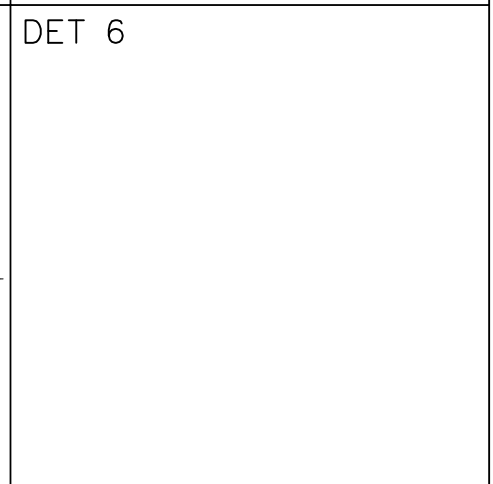
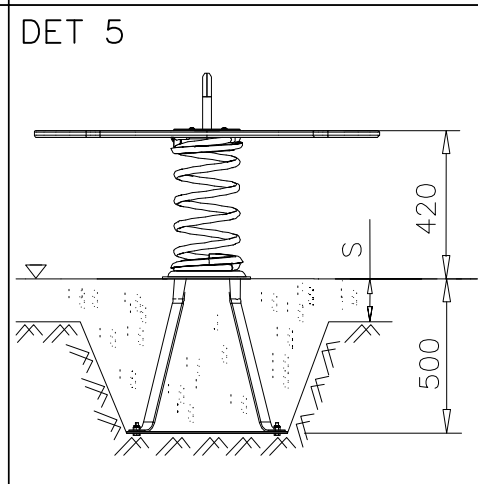
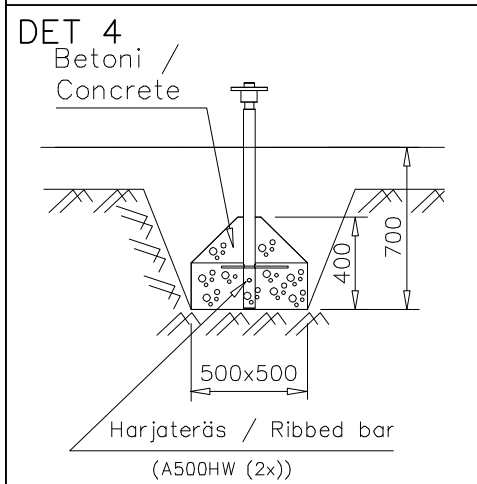
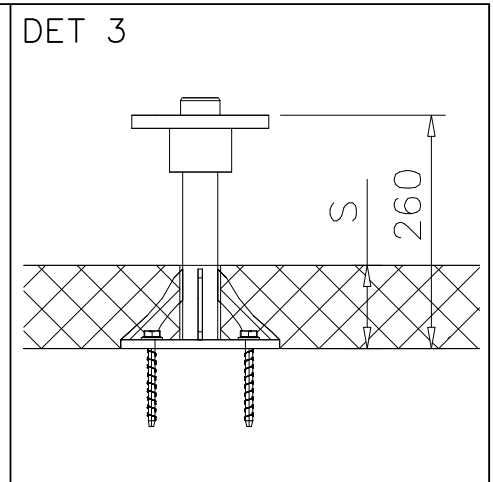
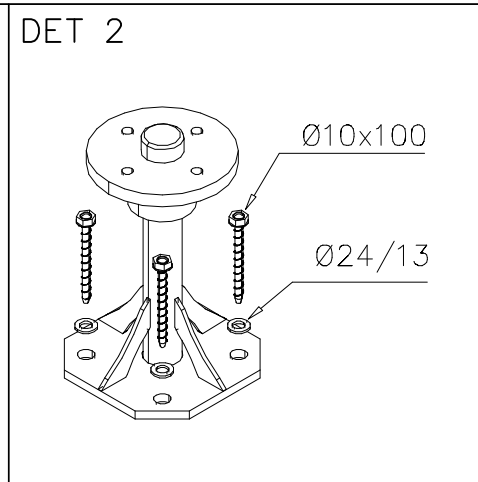
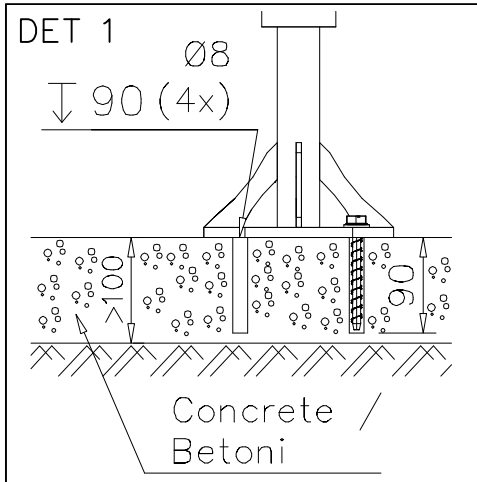


DET 35



M12x110

DET 36



<p>DET 13</p> <p>140 Nm</p> <p>M16x110 Ø30/17x3</p>	<p>DET 14</p> <p>M12x35</p> <p>Ø24/13</p> <p>M12</p>	<p>DET 15</p> <p>Concrete 500x500x200</p> <p>600</p> <p>Harjateräs / Ribbed bar (A500HW (2x))</p>
<p>DET 16</p> <p>M12x60</p> <p>Ø24/13</p> <p>M12</p>	<p>DET 17</p> <p>M12x35</p> <p>Ø24/13</p> <p>M12</p>	<p>DET 18</p> <p>Concrete 500x500x200</p> <p>600</p> <p>Harjateräs / Ribbed bar (A500HW (2x))</p>
<p>DET 19</p> <p>ATT! Drilling can be done via hole in rotating flange.</p> <p>Ø8 ↓ 80 (4x)</p> <p>Concrete / Betoni</p> <p>>100</p>	<p>DET 20</p> <p>Ø10x100</p> <p>Ø24/13</p>	<p>DET 21</p> <p>110</p> <p>S</p>
<p>DET 22</p> <p>M10</p> <p>Ø20/10.5</p> <p>M10x40</p>	<p>DET 23</p> <p>Ø10 ↓ 90 (4x)</p> <p>>100</p> <p>S</p> <p>Betoni / Concrete</p> <p>Safety surface</p>	<p>DET 24</p> <p>M10</p> <p>M10x100</p>

