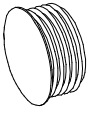
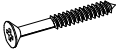
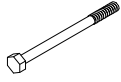
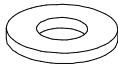
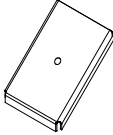


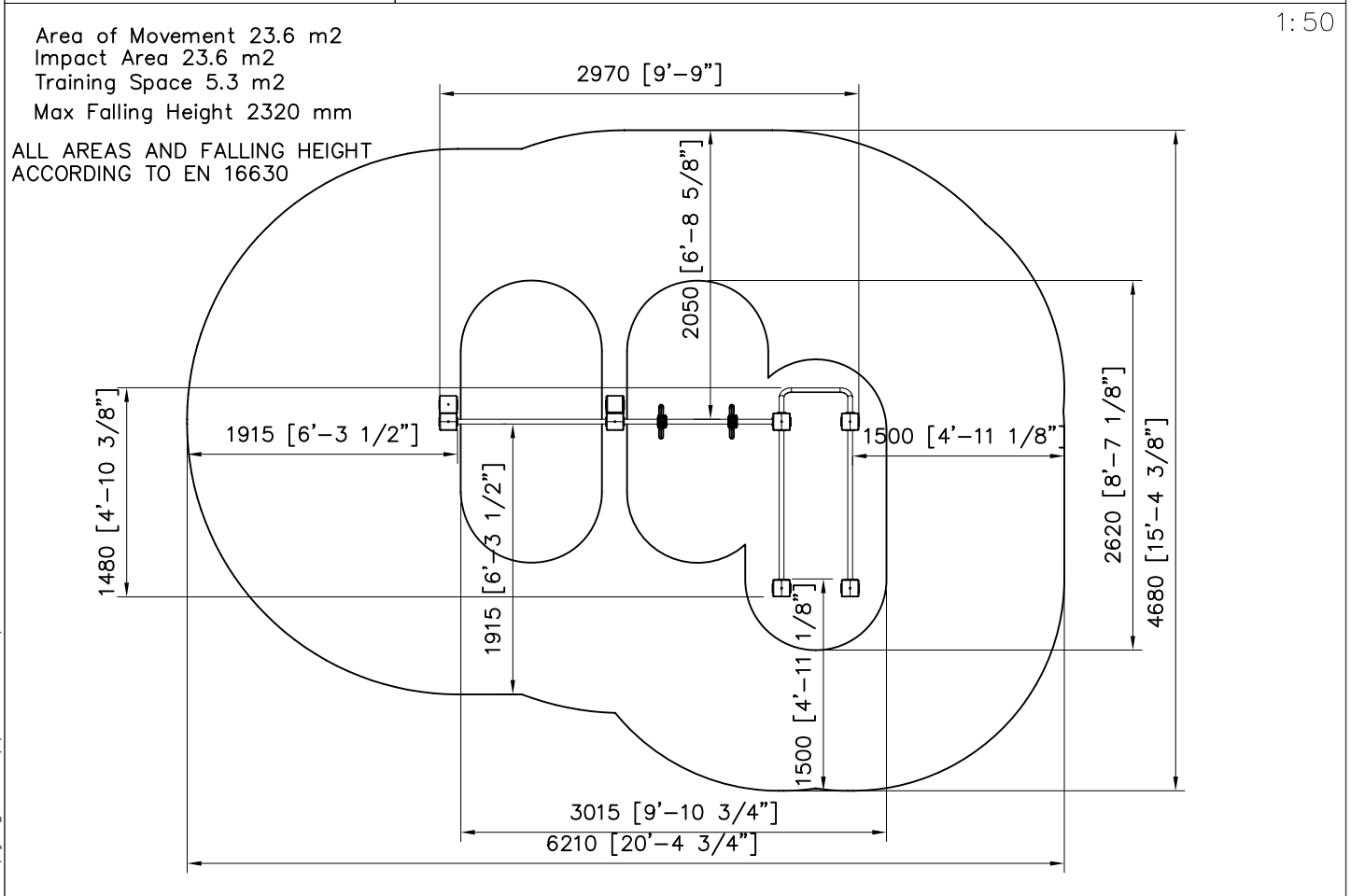
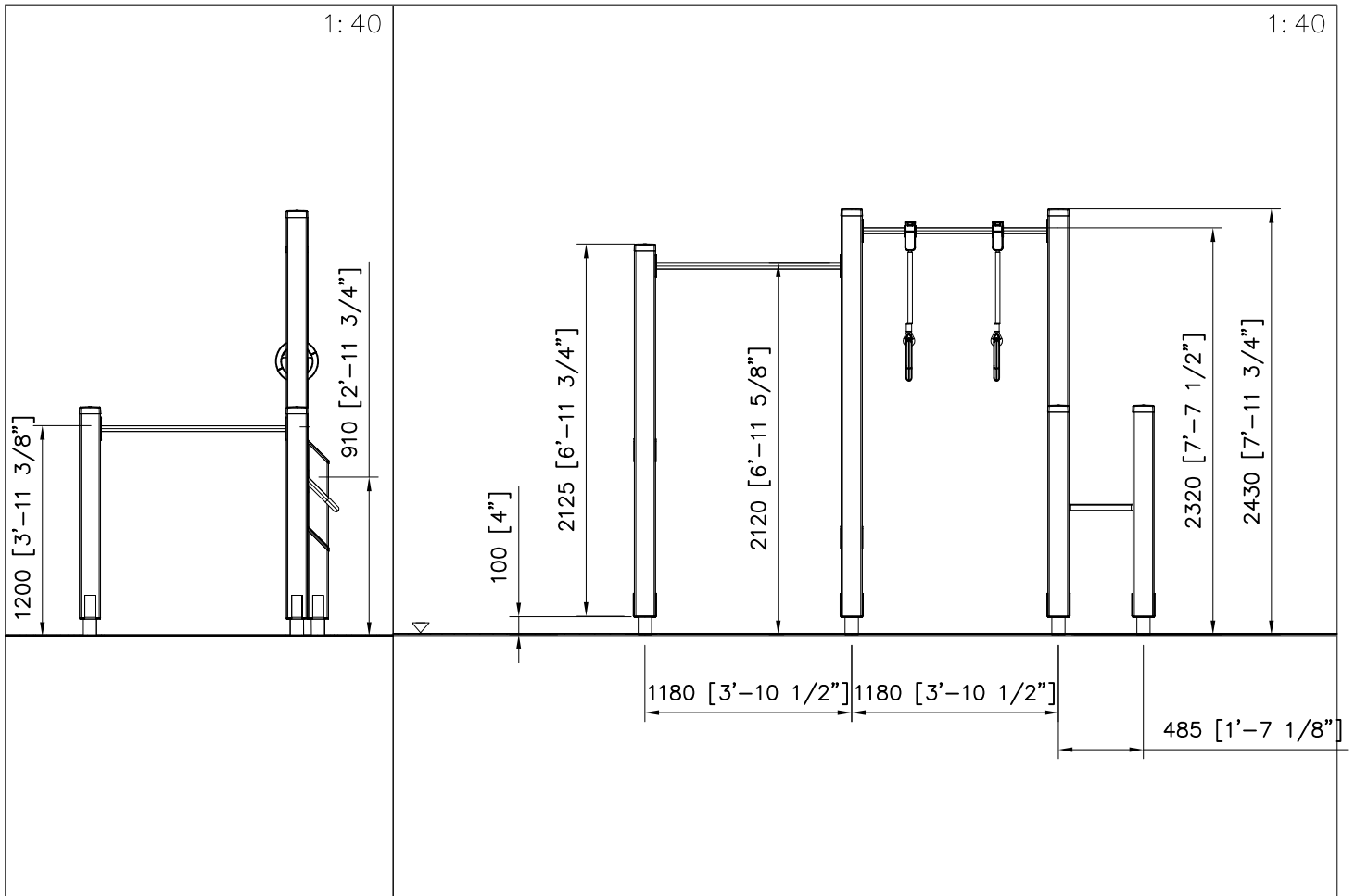




				<table border="1"> <tr> <td>①</td> <td>706034</td> <td>PCS</td> <td></td> <td>②</td> <td>705040</td> <td>PCS</td> <td></td> </tr> <tr> <td></td> <td></td> <td></td> <td>1</td> <td></td> <td></td> <td></td> <td>2</td> </tr> <tr> <td></td> <td></td> <td></td> <td></td> <td></td> <td>Ø16x764</td> <td></td> <td></td> </tr> </table>	①	706034	PCS		②	705040	PCS					1				2						Ø16x764		
				①	706034	PCS		②	705040	PCS																		
							1				2																	
									Ø16x764																			
				<table border="1"> <tr> <td>③</td> <td>705018</td> <td>PCS</td> <td></td> <td>④</td> <td>705388</td> <td>PCS</td> <td></td> </tr> <tr> <td></td> <td></td> <td></td> <td>3</td> <td></td> <td></td> <td></td> <td>1</td> </tr> <tr> <td></td> <td>120x120x1170</td> <td></td> <td></td> <td></td> <td>120x120x2090</td> <td></td> <td></td> </tr> </table>	③	705018	PCS		④	705388	PCS					3				1		120x120x1170				120x120x2090		
				③	705018	PCS		④	705388	PCS																		
							3				1																	
					120x120x1170				120x120x2090																			
				<table border="1"> <tr> <td>⑤</td> <td>902195</td> <td>PCS</td> <td></td> <td>⑥</td> <td>902232</td> <td>PCS</td> <td></td> </tr> <tr> <td></td> <td></td> <td></td> <td>4</td> <td></td> <td></td> <td></td> <td>2</td> </tr> <tr> <td></td> <td>150x50x50</td> <td></td> <td></td> <td></td> <td>M10x55</td> <td></td> <td></td> </tr> </table>	⑤	902195	PCS		⑥	902232	PCS					4				2		150x50x50				M10x55		
				⑤	902195	PCS		⑥	902232	PCS																		
							4				2																	
					150x50x50				M10x55																			
				<table border="1"> <tr> <td>⑦</td> <td>902233</td> <td>PCS</td> <td></td> <td>⑧</td> <td>706089</td> <td>PCS</td> <td></td> </tr> <tr> <td></td> <td></td> <td></td> <td>2</td> <td></td> <td></td> <td></td> <td>1</td> </tr> <tr> <td></td> <td>M10x30</td> <td></td> <td></td> <td></td> <td></td> <td></td> <td></td> </tr> </table>	⑦	902233	PCS		⑧	706089	PCS					2				1		M10x30						
				⑦	902233	PCS		⑧	706089	PCS																		
							2				1																	
					M10x30																							
				<table border="1"> <tr> <td>⑨</td> <td>905104</td> <td>PCS</td> <td></td> <td>⑩</td> <td>905761</td> <td>PCS</td> <td></td> </tr> <tr> <td></td> <td></td> <td></td> <td>32</td> <td></td> <td></td> <td></td> <td>8</td> </tr> <tr> <td></td> <td>M10</td> <td></td> <td></td> <td></td> <td>120x120x700</td> <td></td> <td></td> </tr> </table>	⑨	905104	PCS		⑩	905761	PCS					32				8		M10				120x120x700		
				⑨	905104	PCS		⑩	905761	PCS																		
							32				8																	
					M10				120x120x700																			
				<table border="1"> <tr> <td>⑪</td> <td>905830</td> <td>PCS</td> <td></td> <td>⑫</td> <td>905838</td> <td>PCS</td> <td></td> </tr> <tr> <td></td> <td></td> <td></td> <td>6</td> <td></td> <td></td> <td></td> <td>4</td> </tr> <tr> <td></td> <td>123x123x40</td> <td></td> <td></td> <td></td> <td>L=1060</td> <td></td> <td></td> </tr> </table>	⑪	905830	PCS		⑫	905838	PCS					6				4		123x123x40				L=1060		
				⑪	905830	PCS		⑫	905838	PCS																		
							6				4																	
	123x123x40				L=1060																							
<table border="1"> <tr> <td>⑬</td> <td>705335</td> <td>PCS</td> <td></td> <td>⑭</td> <td>705402</td> <td>PCS</td> <td></td> </tr> <tr> <td></td> <td></td> <td></td> <td>1</td> <td></td> <td></td> <td></td> <td>1</td> </tr> <tr> <td></td> <td>120x120x1000</td> <td></td> <td></td> <td></td> <td>120x120x2290</td> <td></td> <td></td> </tr> </table>	⑬	705335	PCS		⑭	705402	PCS					1				1		120x120x1000				120x120x2290						
⑬	705335	PCS		⑭	705402	PCS																						
			1				1																					
	120x120x1000				120x120x2290																							
<table border="1"> <tr> <td>⑮</td> <td>905934</td> <td>PCS</td> <td></td> <td>⑯</td> <td>906006</td> <td>PCS</td> <td></td> </tr> <tr> <td></td> <td></td> <td></td> <td>1</td> <td></td> <td></td> <td></td> <td>4</td> </tr> <tr> <td></td> <td>L=485</td> <td></td> <td></td> <td></td> <td>Ø64/34,5x59</td> <td></td> <td></td> </tr> </table>	⑮	905934	PCS		⑯	906006	PCS					1				4		L=485				Ø64/34,5x59						
⑮	905934	PCS		⑯	906006	PCS																						
			1				4																					
	L=485				Ø64/34,5x59																							
<table border="1"> <tr> <td>⑰</td> <td>706090</td> <td>PCS</td> <td></td> <td>⑱</td> <td>705406</td> <td>PCS</td> <td></td> </tr> <tr> <td></td> <td></td> <td></td> <td>1</td> <td></td> <td></td> <td></td> <td>1</td> </tr> <tr> <td></td> <td></td> <td></td> <td></td> <td></td> <td>126x181x18</td> <td></td> <td></td> </tr> </table>	⑰	706090	PCS		⑱	705406	PCS					1				1						126x181x18						
⑰	706090	PCS		⑱	705406	PCS																						
			1				1																					
					126x181x18																							
<table border="1"> <tr> <td>⑲</td> <td>705405</td> <td>PCS</td> <td></td> <td>⑳</td> <td>980104</td> <td>PCS</td> <td></td> </tr> <tr> <td></td> <td></td> <td></td> <td>1</td> <td></td> <td></td> <td></td> <td>6</td> </tr> <tr> <td></td> <td>120x120x500</td> <td></td> <td></td> <td></td> <td>Ø5x90</td> <td></td> <td></td> </tr> </table>	⑲	705405	PCS		⑳	980104	PCS					1				6		120x120x500				Ø5x90						
⑲	705405	PCS		⑳	980104	PCS																						
			1				6																					
	120x120x500				Ø5x90																							
<table border="1"> <tr> <td>㉑</td> <td>980123</td> <td>PCS</td> <td></td> <td>㉒</td> <td>980161</td> <td>PCS</td> <td></td> </tr> <tr> <td></td> <td></td> <td></td> <td>72</td> <td></td> <td></td> <td></td> <td>4</td> </tr> <tr> <td></td> <td>Ø7x60</td> <td></td> <td></td> <td></td> <td>M10</td> <td></td> <td></td> </tr> </table>	㉑	980123	PCS		㉒	980161	PCS					72				4		Ø7x60				M10						
㉑	980123	PCS		㉒	980161	PCS																						
			72				4																					
	Ø7x60				M10																							
<table border="1"> <tr> <td>㉓</td> <td>705320</td> <td>PCS</td> <td></td> <td></td> <td></td> <td></td> <td></td> </tr> <tr> <td></td> <td></td> <td></td> <td>1</td> <td></td> <td></td> <td></td> <td></td> </tr> <tr> <td></td> <td>120x120x2290</td> <td></td> <td></td> <td></td> <td></td> <td></td> <td></td> </tr> </table>	㉓	705320	PCS									1						120x120x2290										
㉓	705320	PCS																										
			1																									
	120x120x2290																											

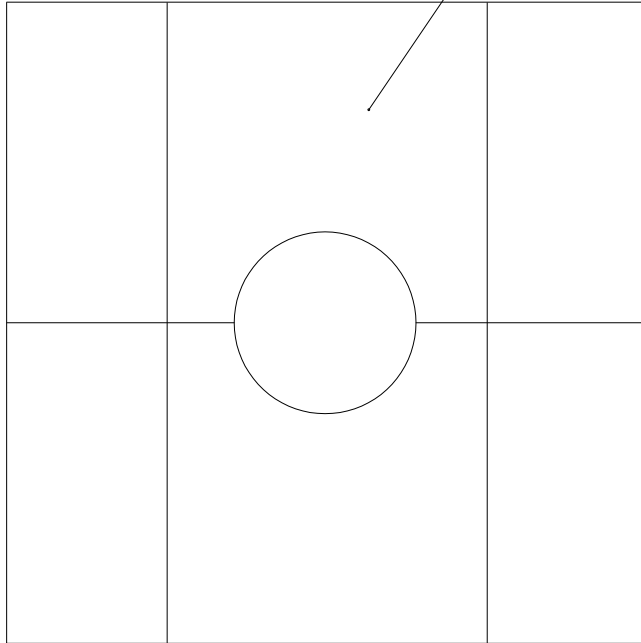


<p>②④ 905103</p>  <p>PT-28/32-H</p>	<p>PCS</p> <p>4</p>	<p>②⑤ 980100</p>  <p>Ø5x60</p>	<p>PCS</p> <p>2</p>	<p>②⑥ 909246</p>  <p>M12x140</p>	<p>PCS</p> <p>4</p>	<p>②⑦ 980154</p>  <p>Ø24/13</p>	<p>PCS</p> <p>4</p>	<p>②⑧ 906583</p>  <p>126x181x14x3</p>	<p>PCS</p> <p>1</p>	<p>②⑨ 980114</p>  <p>Ø4x20</p>	<p>PCS</p> <p>12</p>
<p>③⑩ 909256</p>  <p>Ø16/8.4</p>	<p>PCS</p> <p>72</p>										

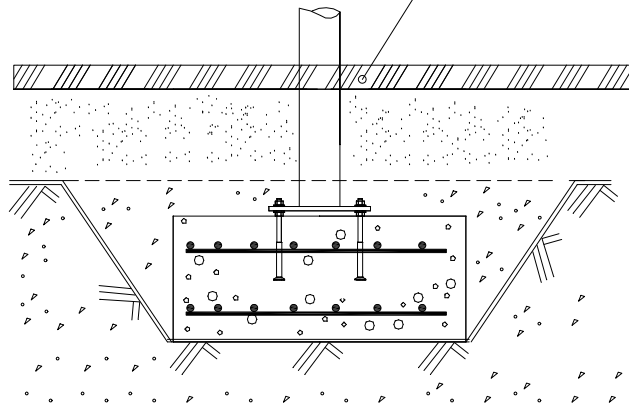


												
<p><b><math>h &lt; 600</math></b></p> <p>Without movement and therefore without Impact Area</p>	<p>Totally hard surfaces.</p> <p>Note. Lappset does <u>not recommend</u> totally hard surfaces at all.</p>	<p>E.g. concrete or asphalt</p> 										
<p><b><math>h &lt; 600</math></b></p> <p>With movement e.g. rocking</p>	<p>Materials with very limited impact attenuating properties.</p>	<p>E.g. wood</p> 										
<p><b><math>h &lt; 1000</math></b></p>	<p>Materials with significant impact attenuating properties.</p>	<p>fine gravel 0–8 mm</p>  <p>grass</p>  <p>unsorted sand</p> 										
<p><b><math>h &lt; 3000</math></b></p>	<p>Loose fill material</p> <p>E.g. sand/gravel 0,25...8 mm D60/D10&lt;3,0 Woodchips 5...30 mm bark 20...80 mm</p>	 <table data-bbox="1021 1691 1332 1792"> <tr> <td><math>\underline{S}</math></td> <td><math>\underline{h}</math></td> </tr> <tr> <td>30 cm</td> <td>&lt; 2,0 m</td> </tr> <tr> <td>40 cm</td> <td>&lt; 3,0 m</td> </tr> </table>	$\underline{S}$	$\underline{h}$	30 cm	< 2,0 m	40 cm	< 3,0 m				
$\underline{S}$	$\underline{h}$											
30 cm	< 2,0 m											
40 cm	< 3,0 m											
	<p>Syntethic granulates</p> <table data-bbox="406 1892 758 2060"> <tr> <td><math>\underline{S}</math></td> <td><math>\underline{h}</math></td> </tr> <tr> <td>40 mm</td> <td>~&gt; 1,2...1,3 m</td> </tr> <tr> <td>50 mm</td> <td>~&gt; 1,5...1,7 m</td> </tr> <tr> <td>60 mm</td> <td>~&gt; 1,8...2,0 m</td> </tr> <tr> <td>70 mm</td> <td>~&gt; 2,1...2,5 m</td> </tr> </table> <p>Note. For accurate values, see manufacturer's instructions.</p>	$\underline{S}$	$\underline{h}$	40 mm	~> 1,2...1,3 m	50 mm	~> 1,5...1,7 m	60 mm	~> 1,8...2,0 m	70 mm	~> 2,1...2,5 m	
$\underline{S}$	$\underline{h}$											
40 mm	~> 1,2...1,3 m											
50 mm	~> 1,5...1,7 m											
60 mm	~> 1,8...2,0 m											
70 mm	~> 2,1...2,5 m											

REMOVE SAFETY SURFACE/SAND/GRAVEL  
TO CHECK FOUNDATION

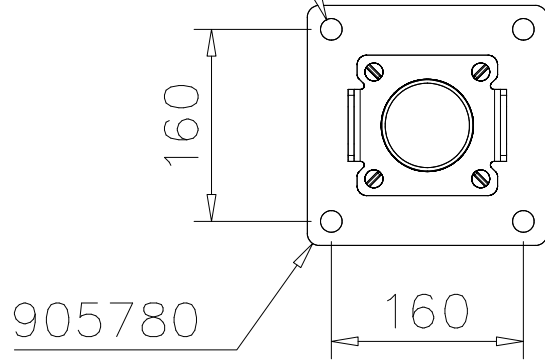


REMOVE SAFETY SURFACE/SAND/GRAVEL  
TO CHECK FOUNDATION

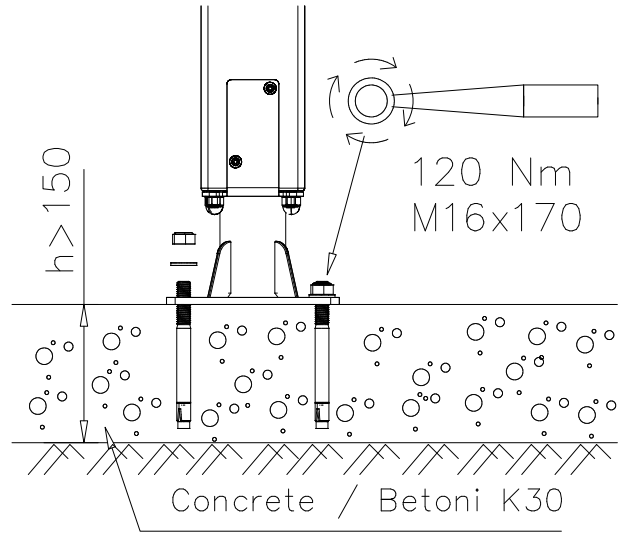


DET 1

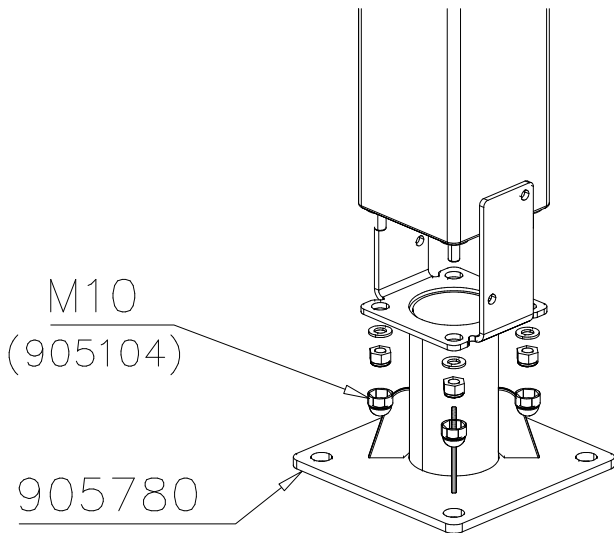
$\varnothing 16 \downarrow > 130$



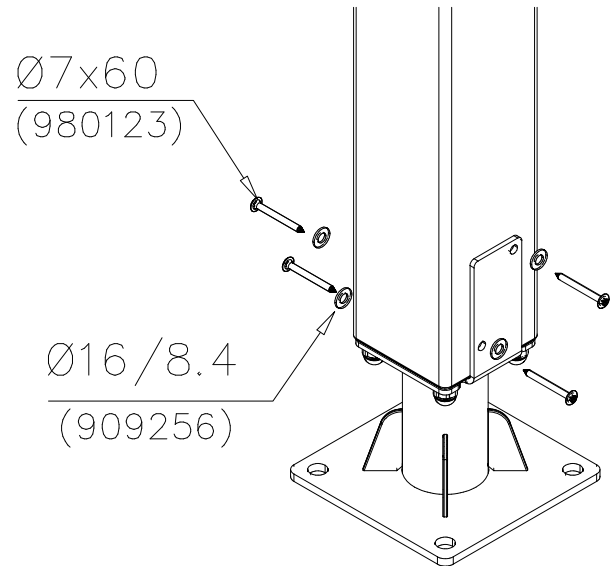
DET 2



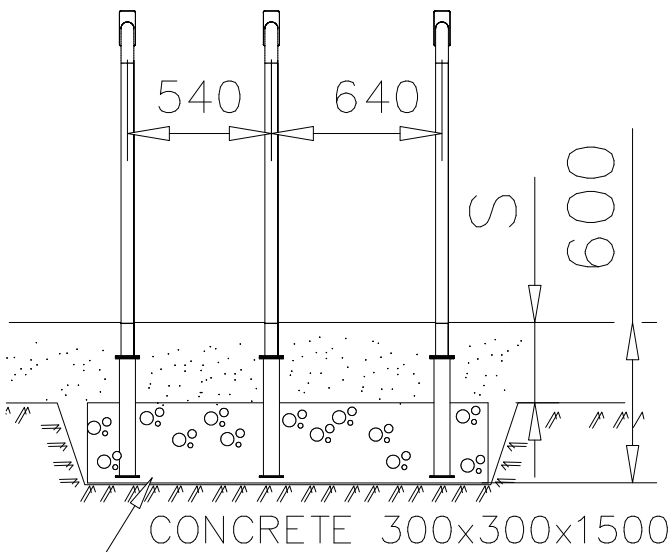
DET 3



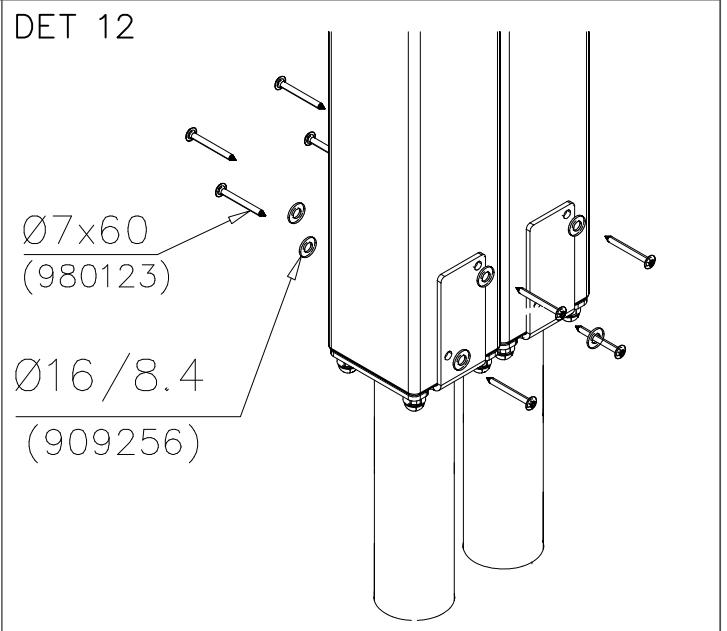
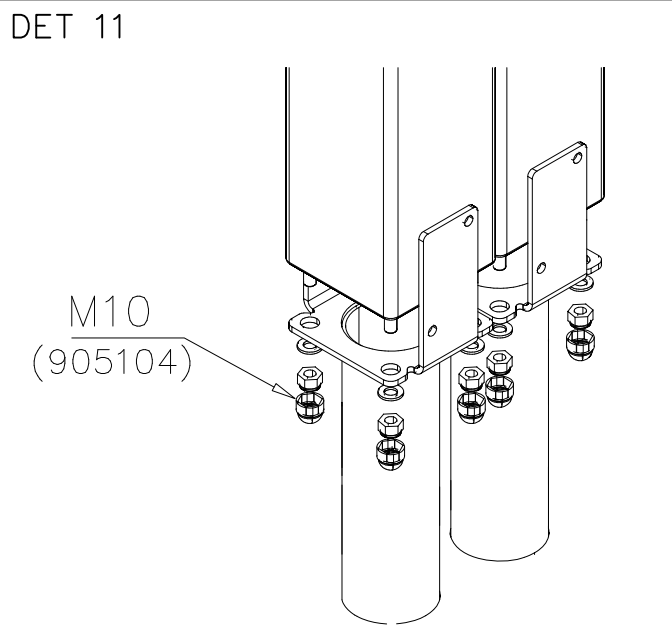
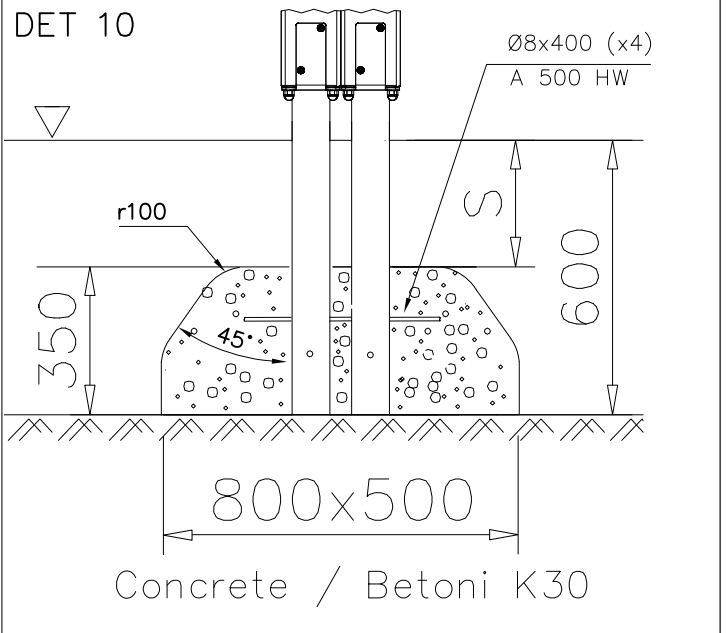
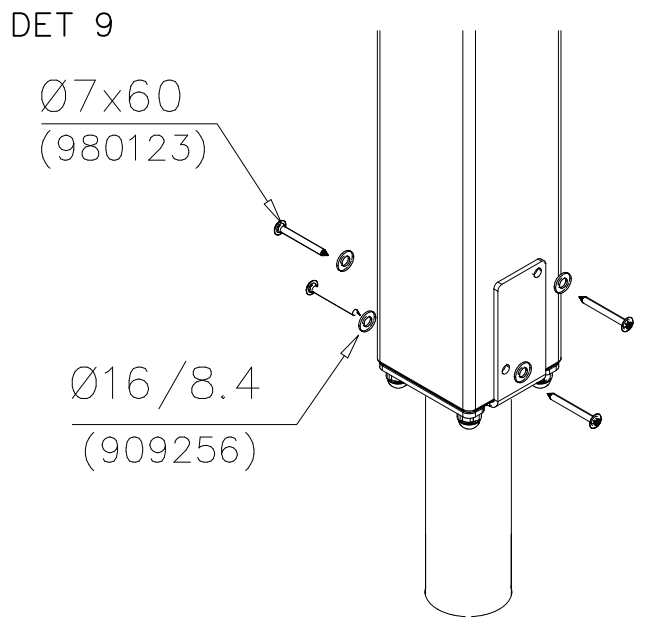
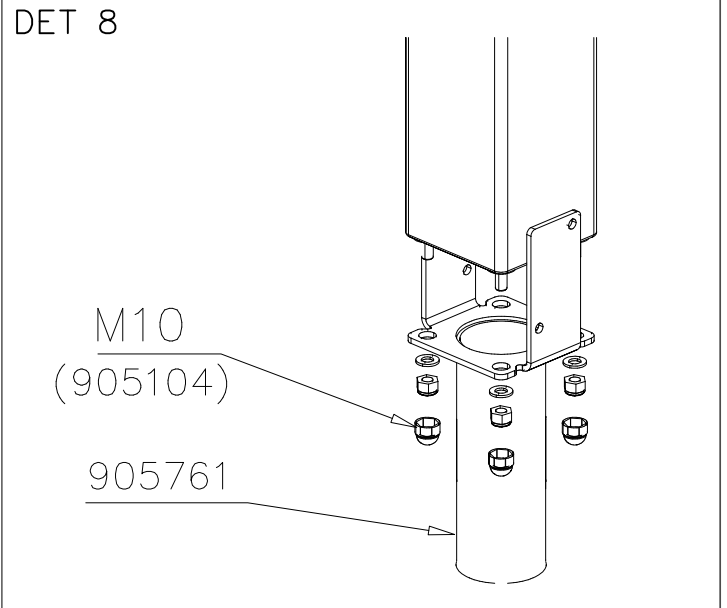
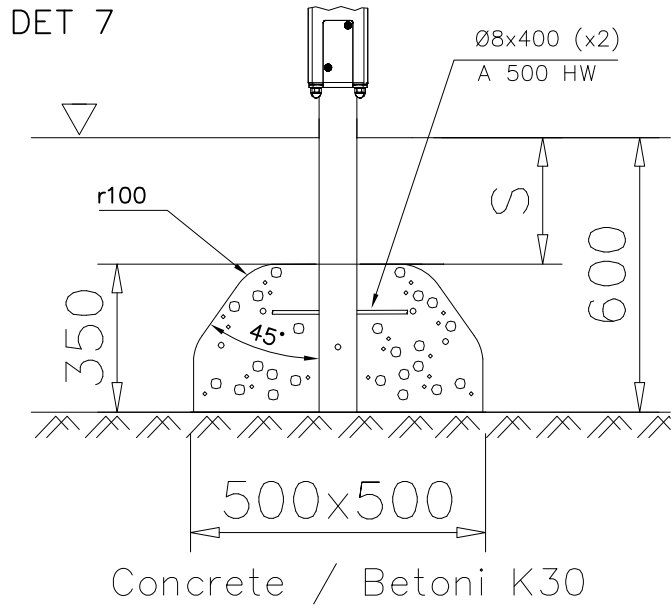
DET 4



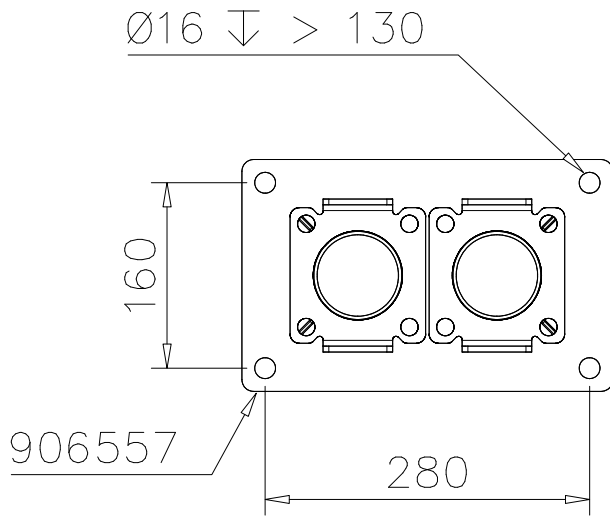
DET 5



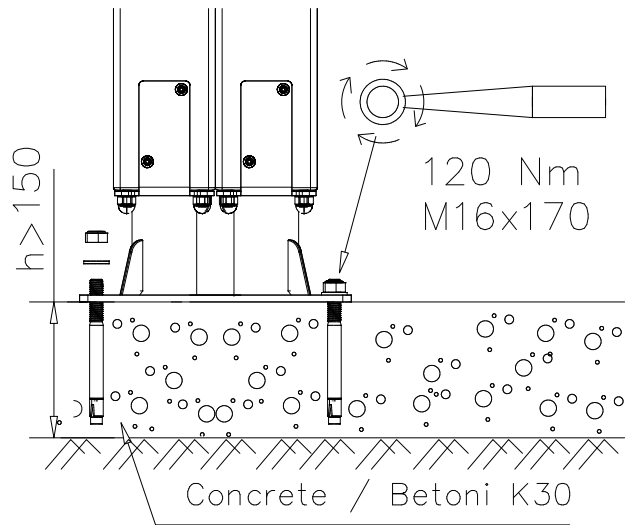
DET 6



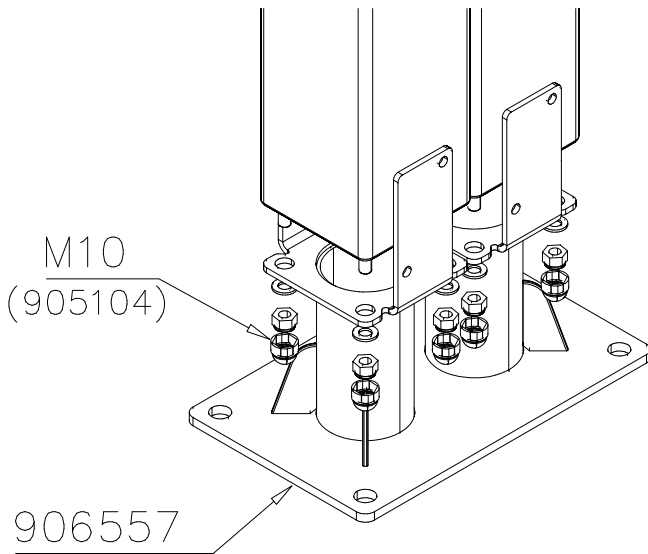
DET 13



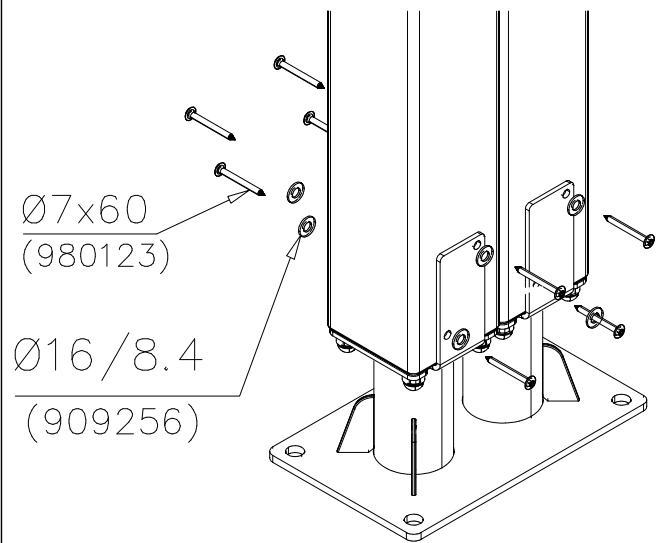
DET 14



DET 15



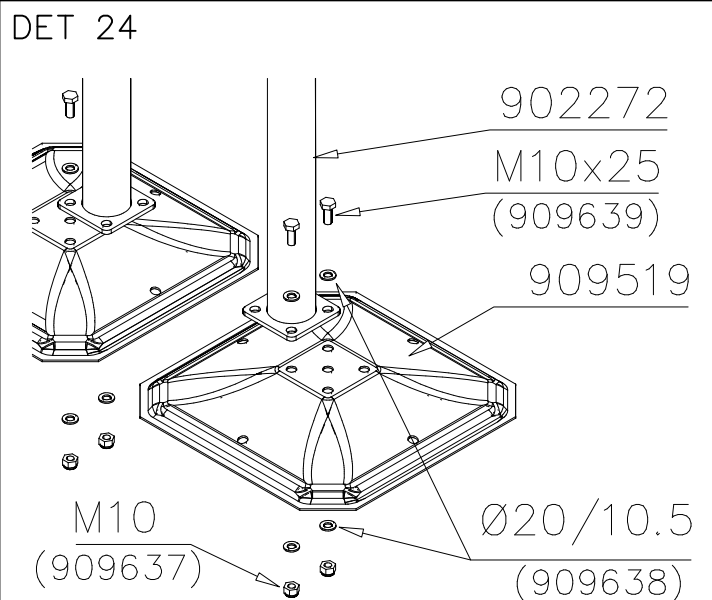
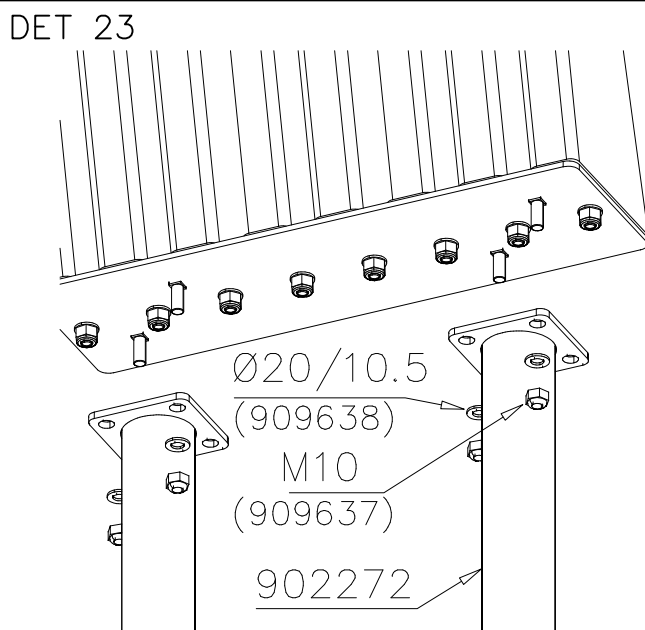
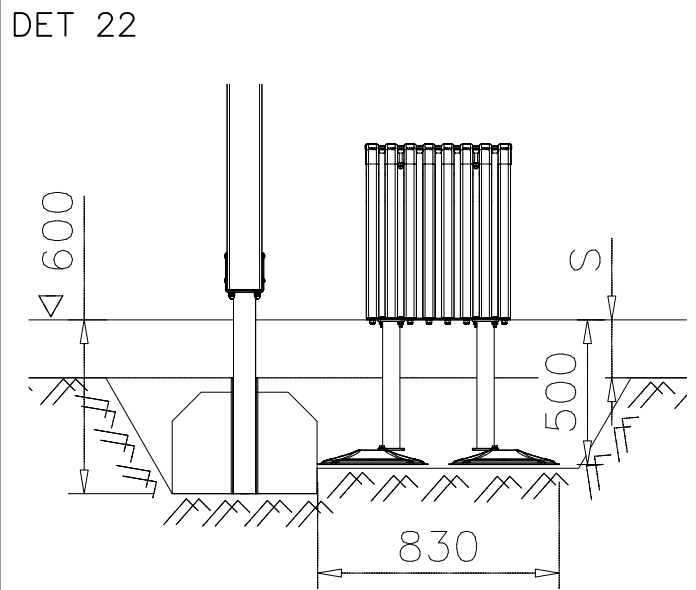
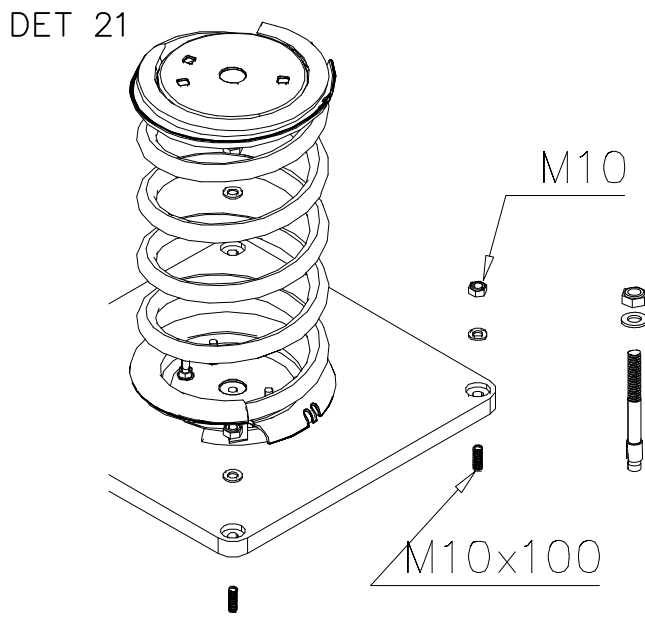
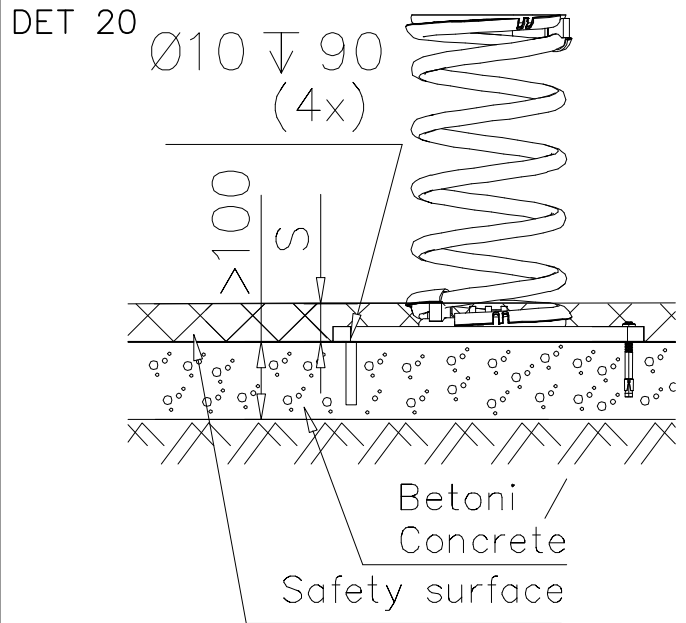
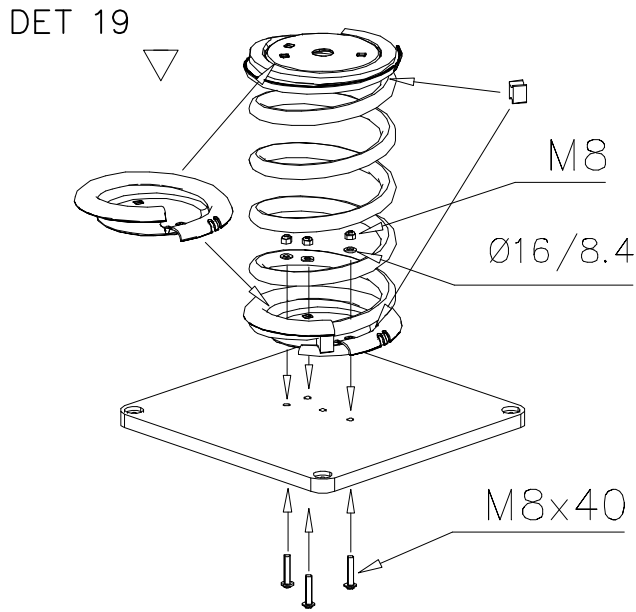
DET 16



DET 17

DET 18



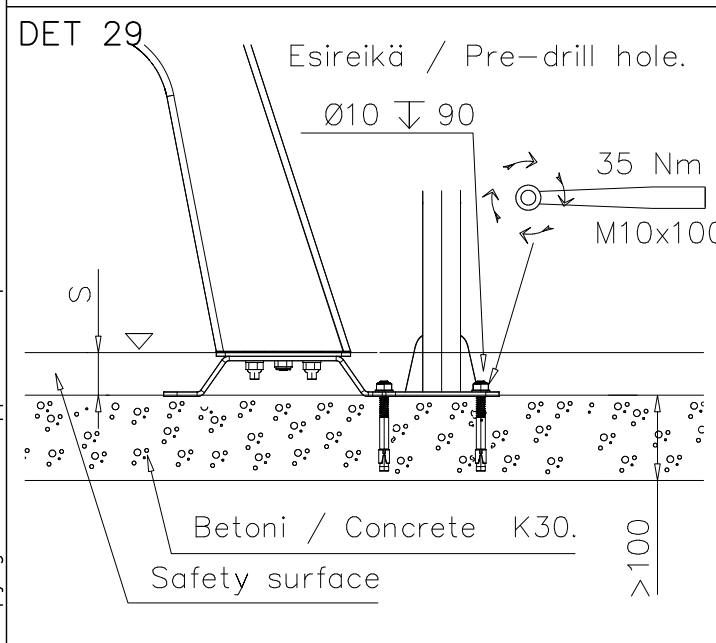
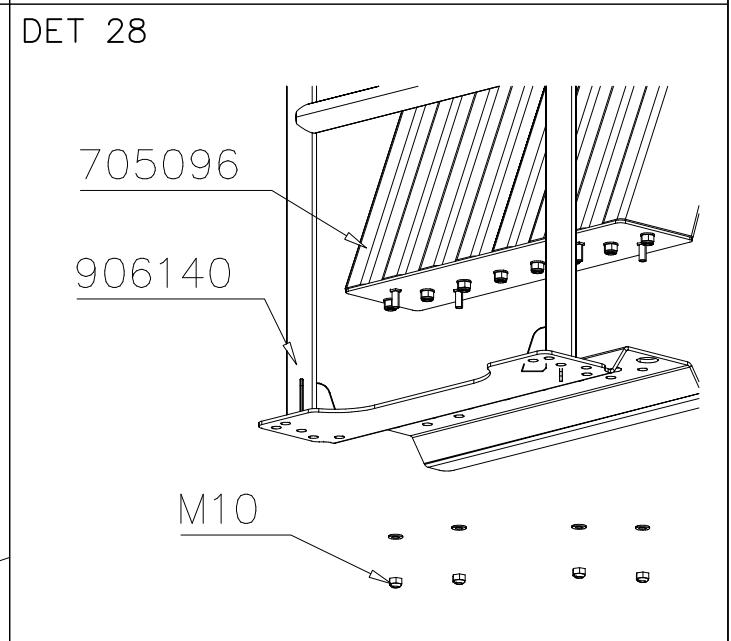
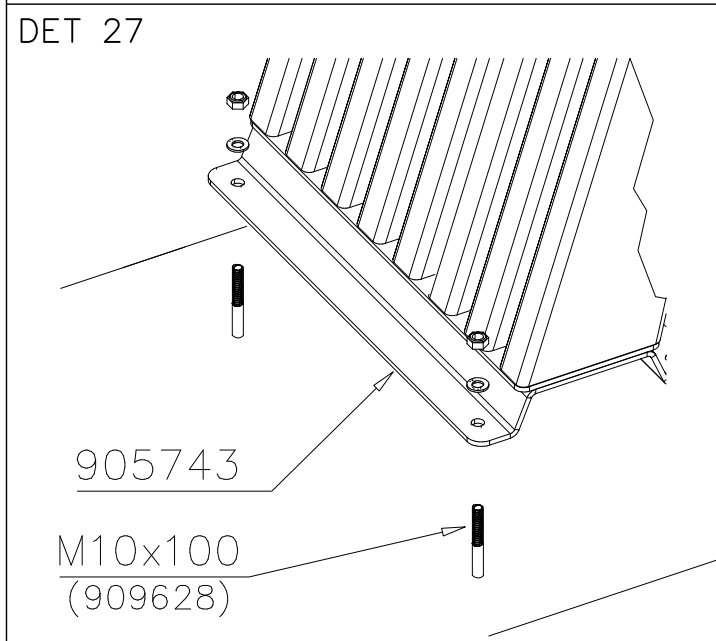
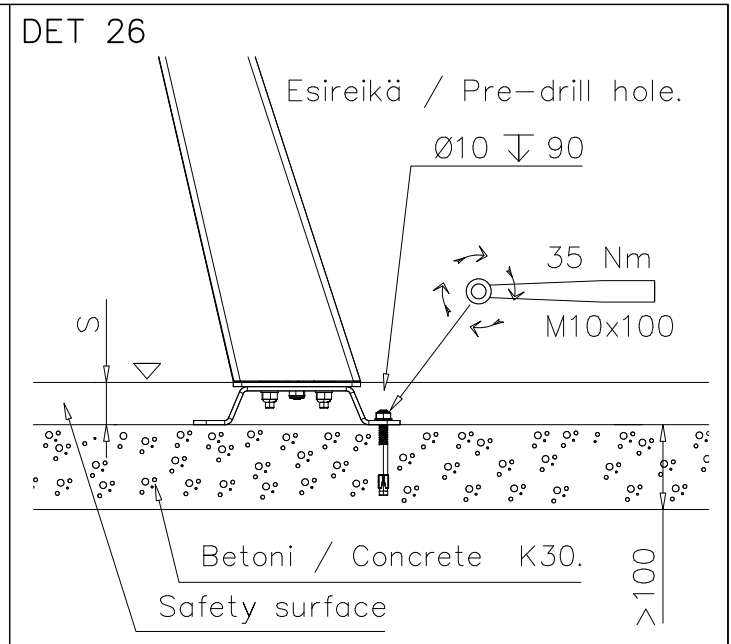
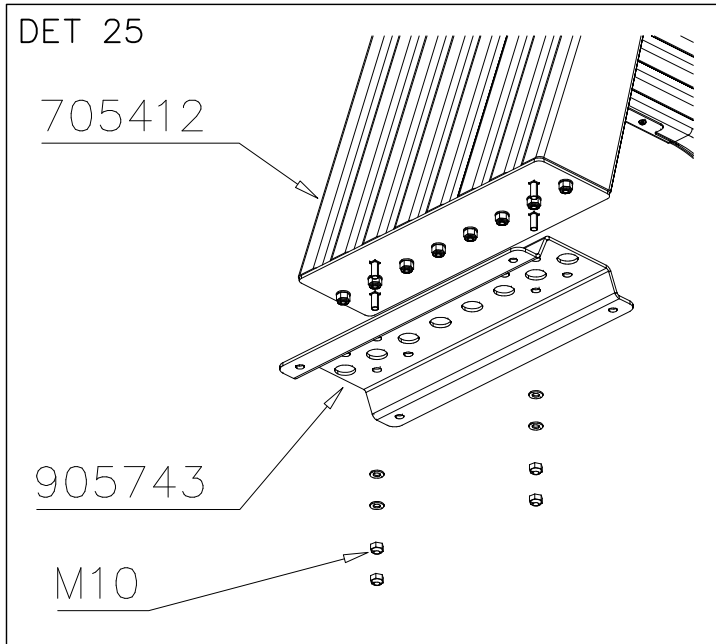


# LAPPSET SPORT

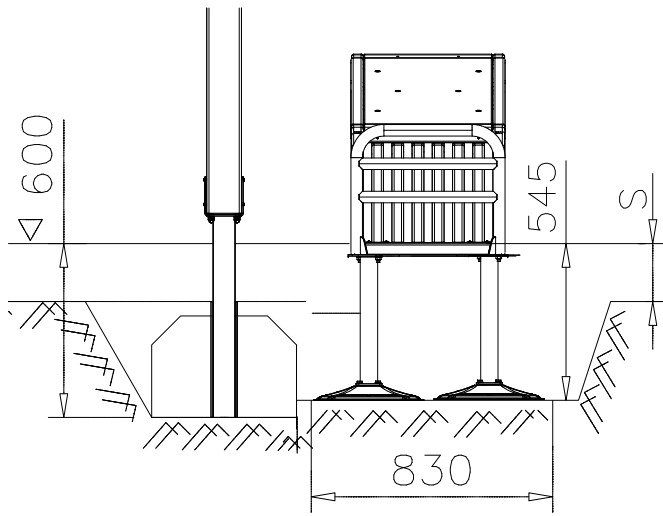
# BASE

DATE: 29.4.2015

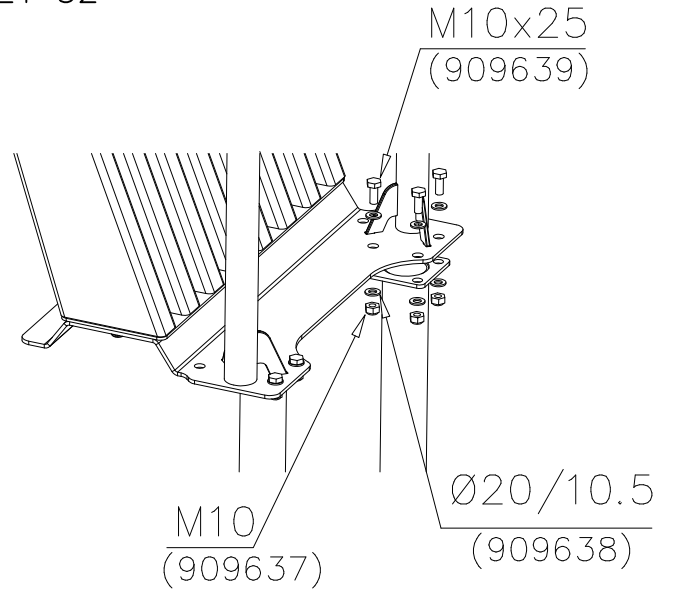
5(10)



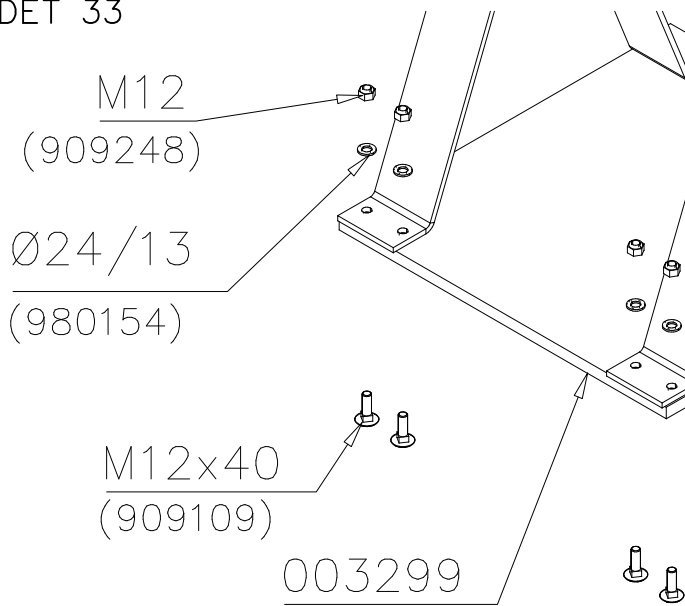
DET 31



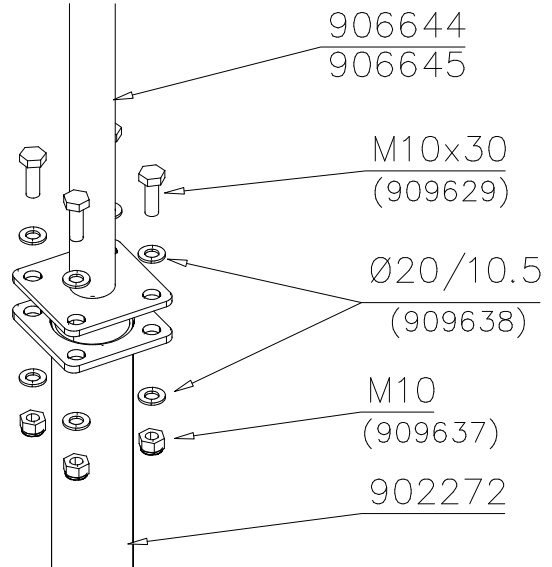
DET 32



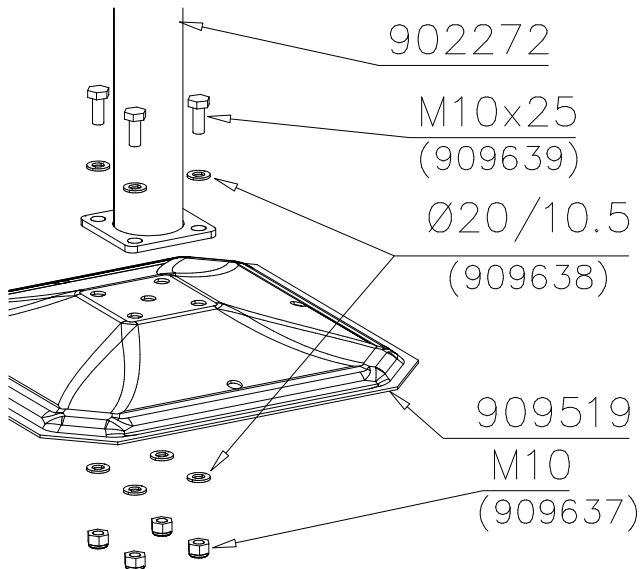
DET 33



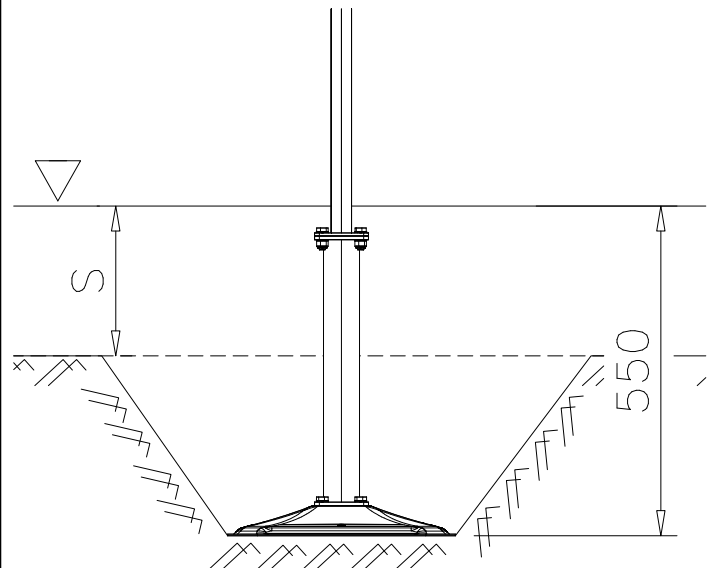
DET 34



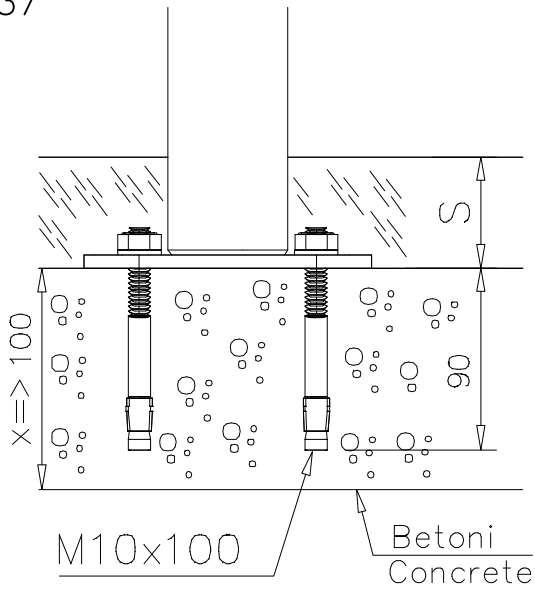
DET 35



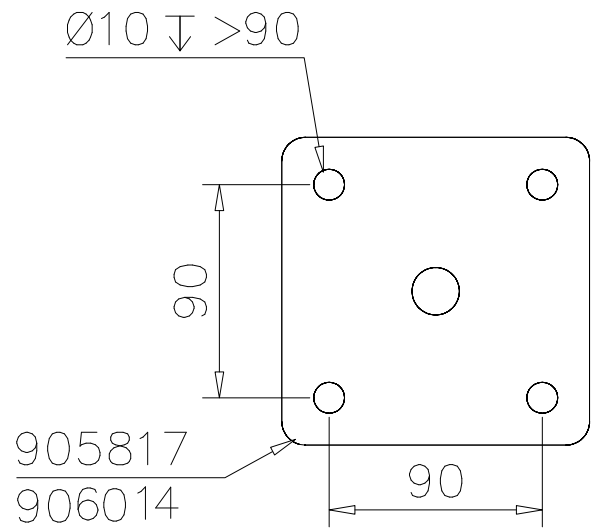
DET 36



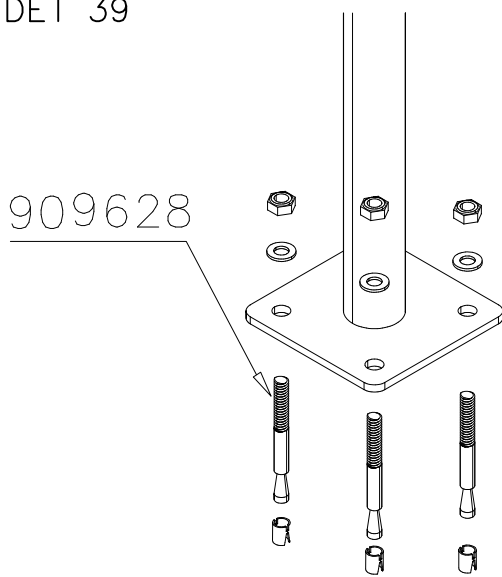
DET 37



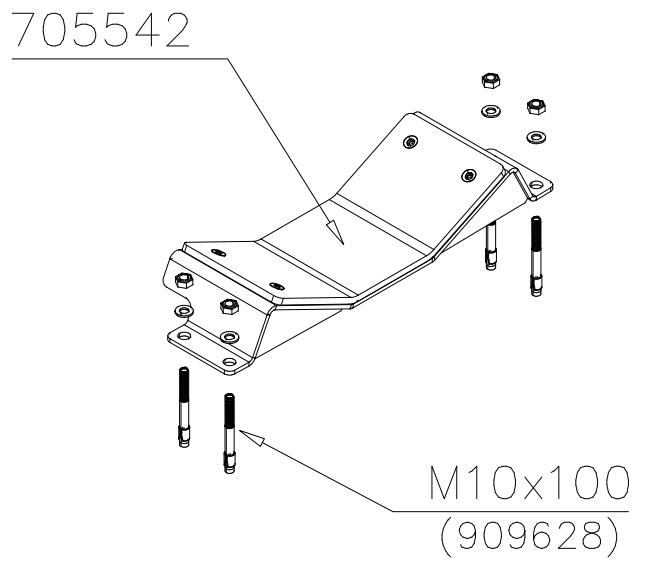
DET 38



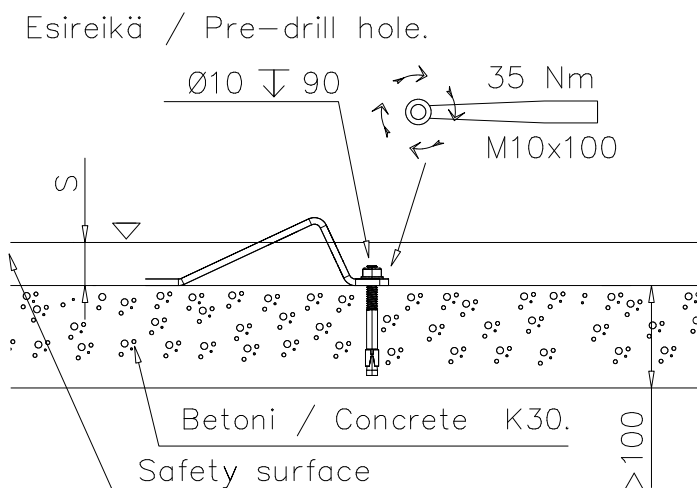
DET 39



DET 40



DET 41



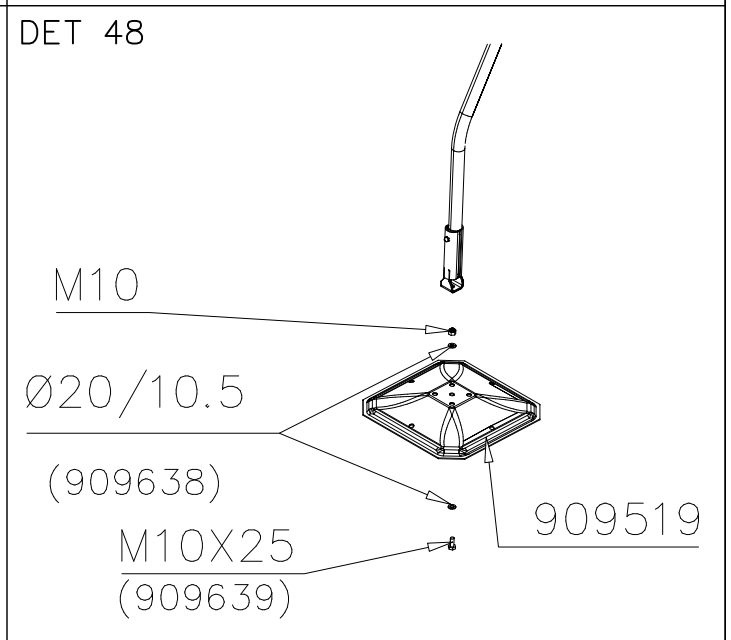
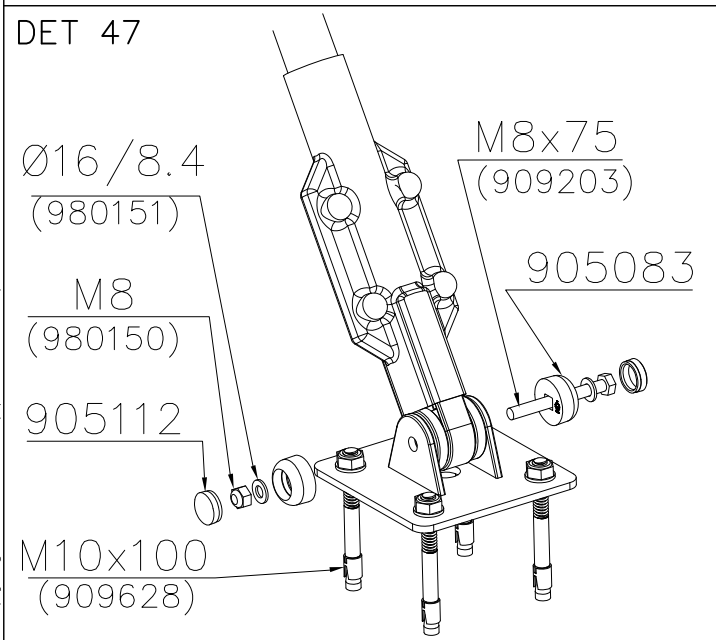
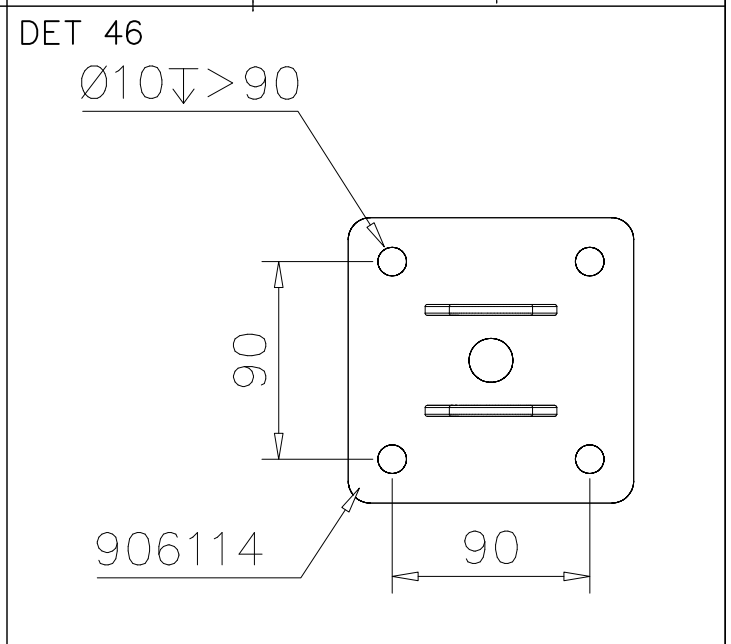
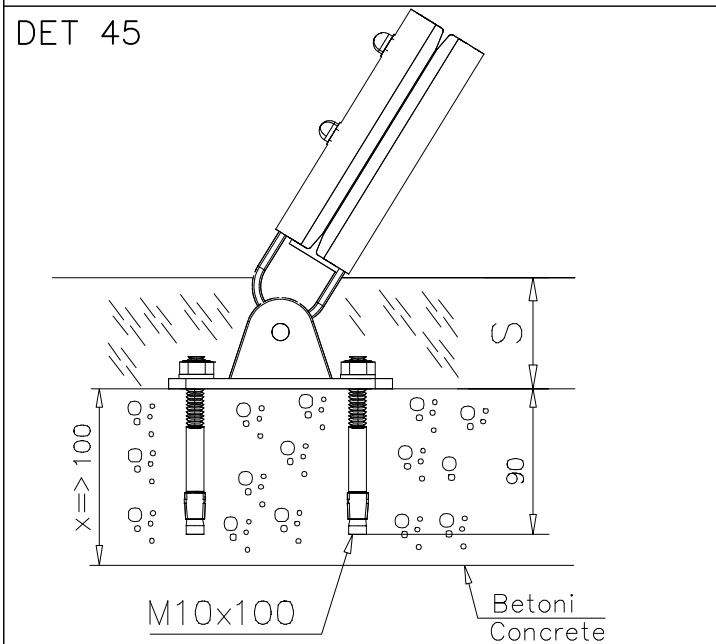
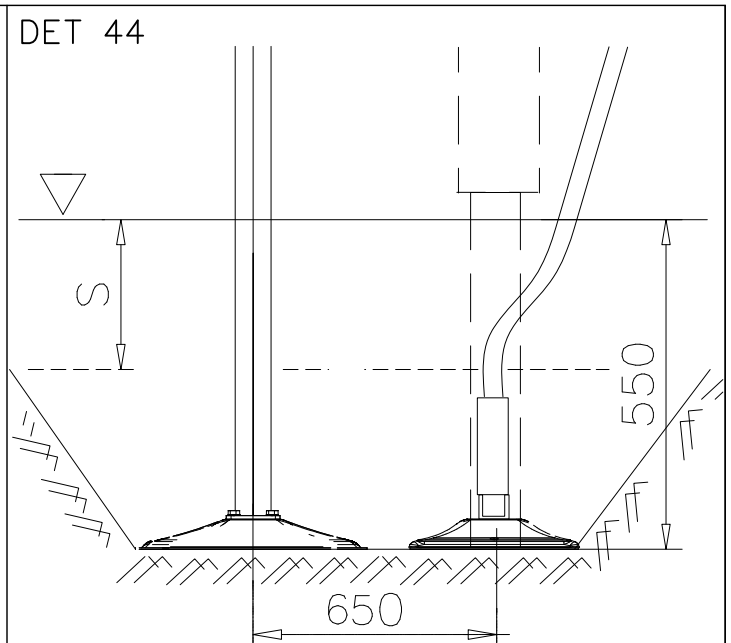
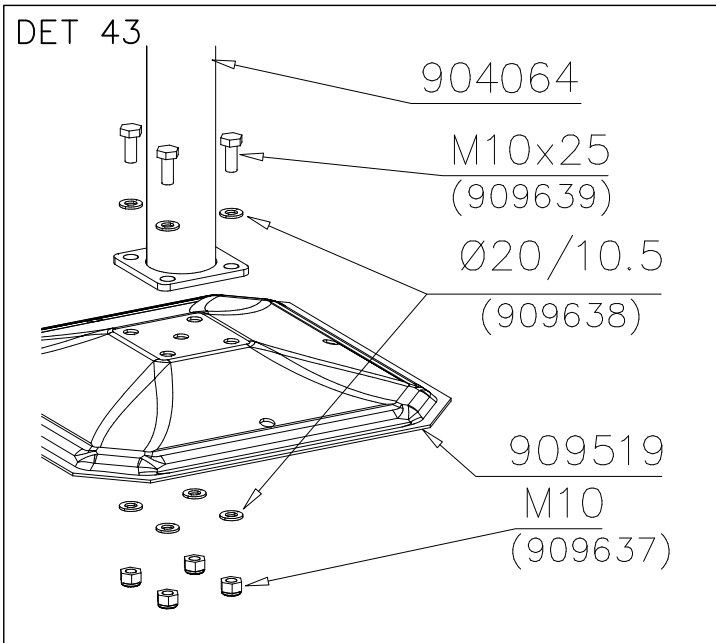
DET 42

# LAPPSET SPORT

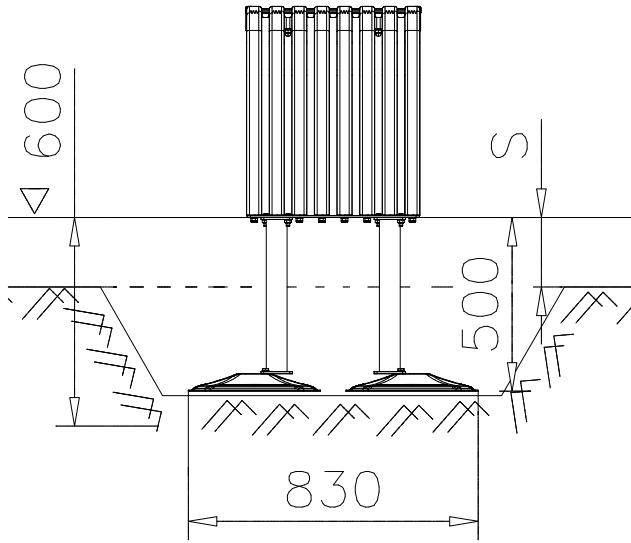
# BASE

DATE: 15.8.2017

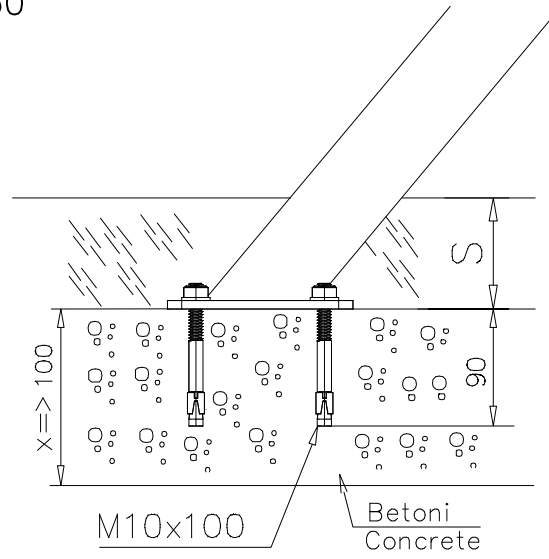
8(10)



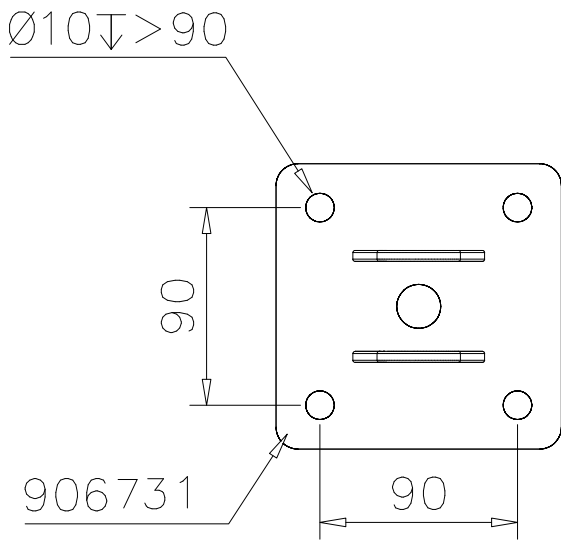
DET 49



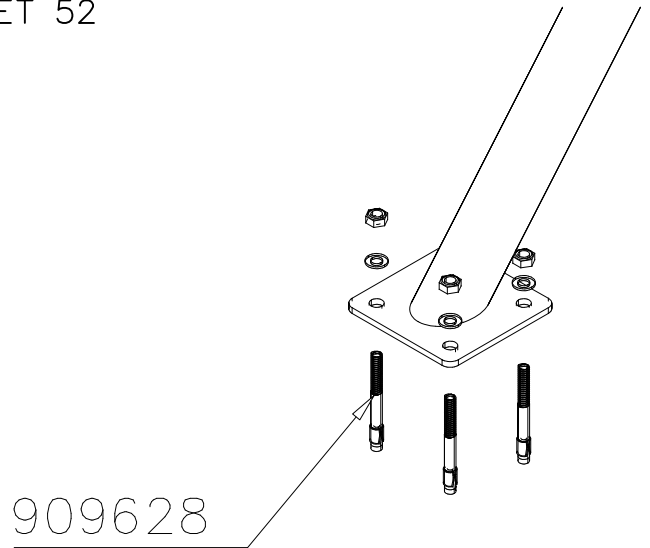
DET 50



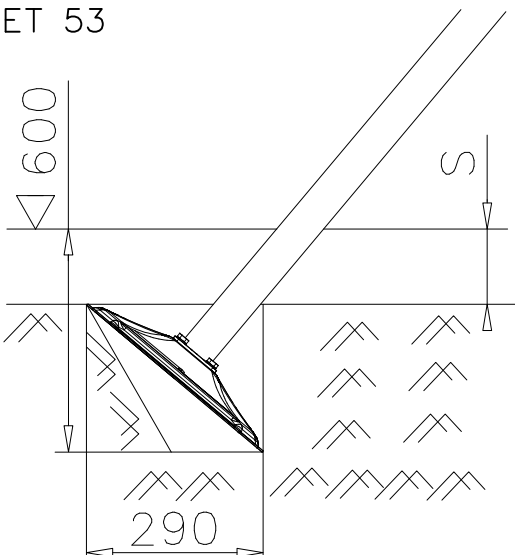
DET 51



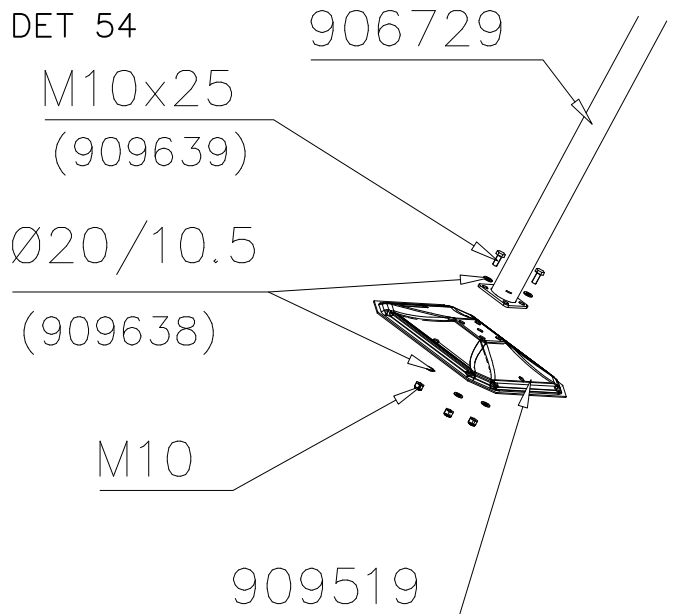
DET 52



DET 53

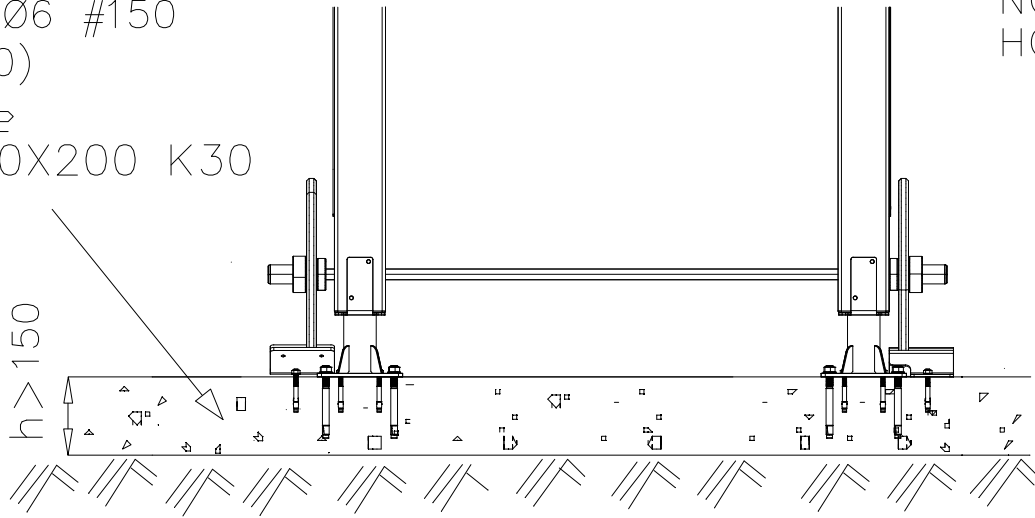


DET 54



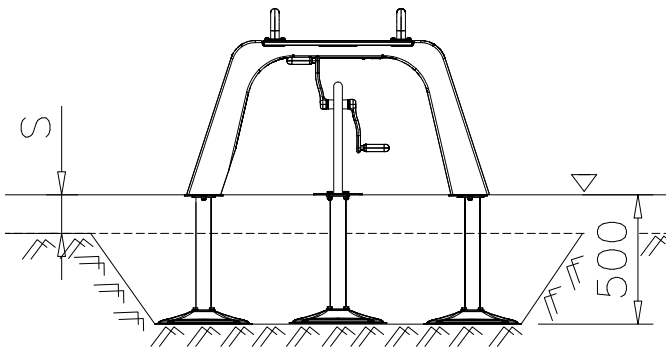
DET 55

STEELNET Ø6 #150  
(1400x2100)  
Concrete  
1500X2200X200 K30

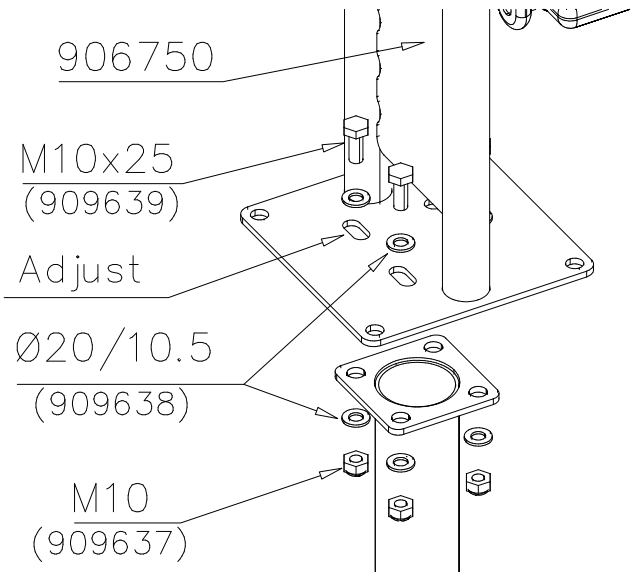


NOTE!  
HOX!

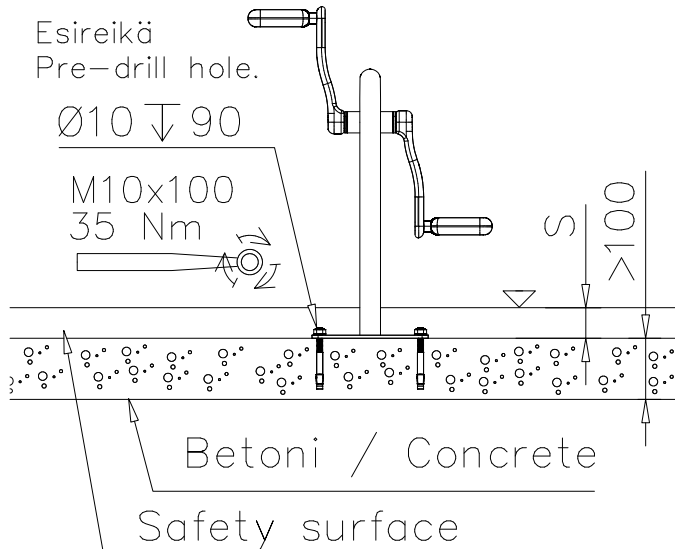
DET 56



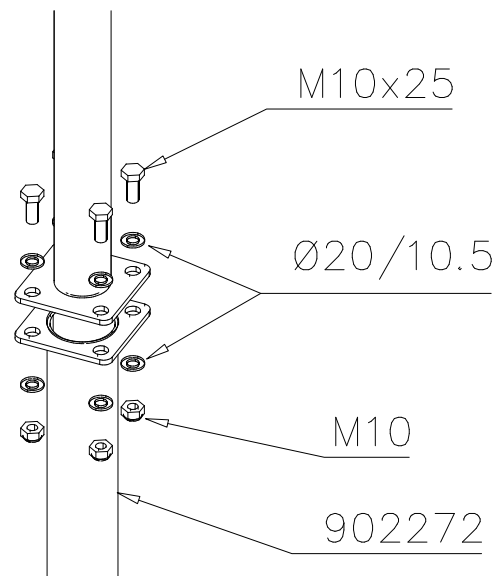
DET 57



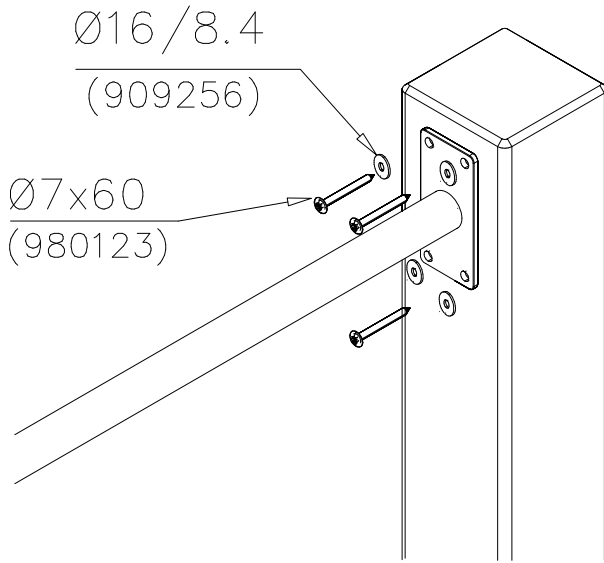
DET 58



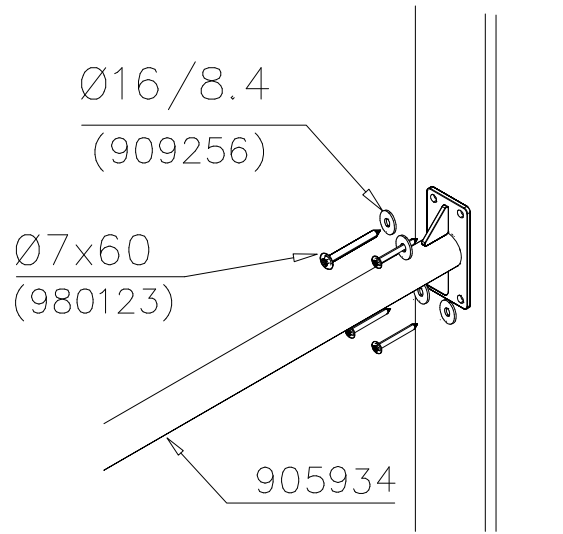
DET 59



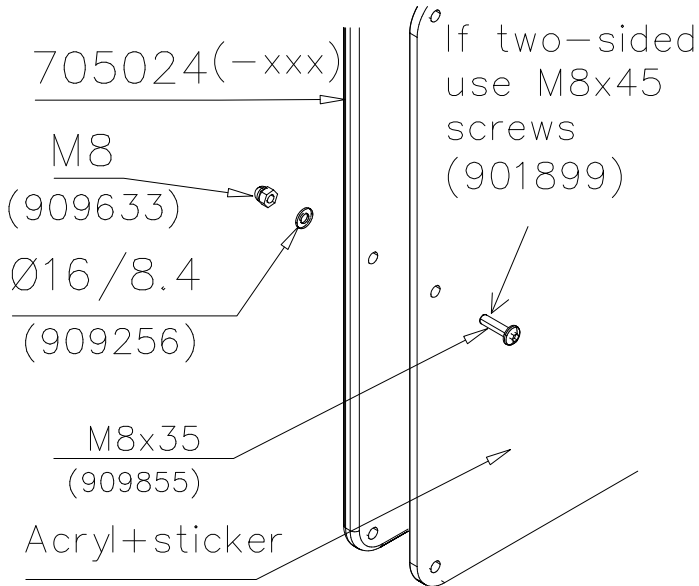
DET 1



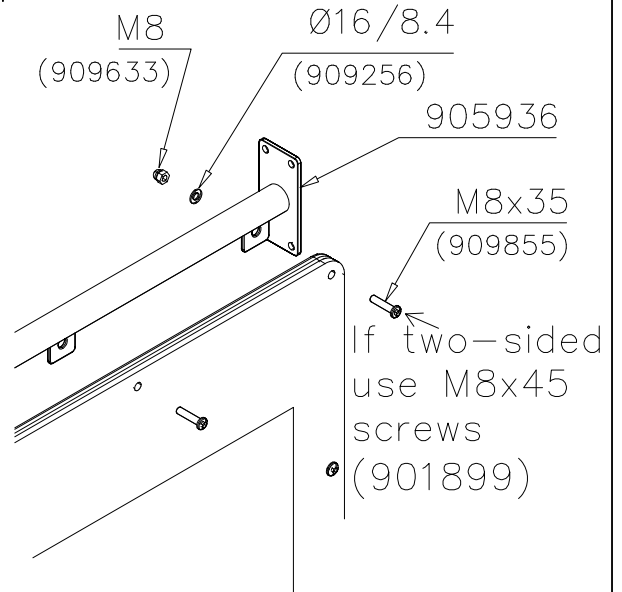
DET 2



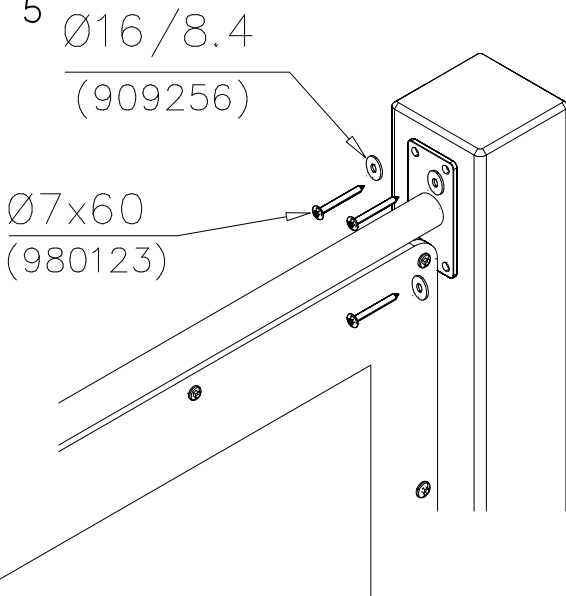
DET 3



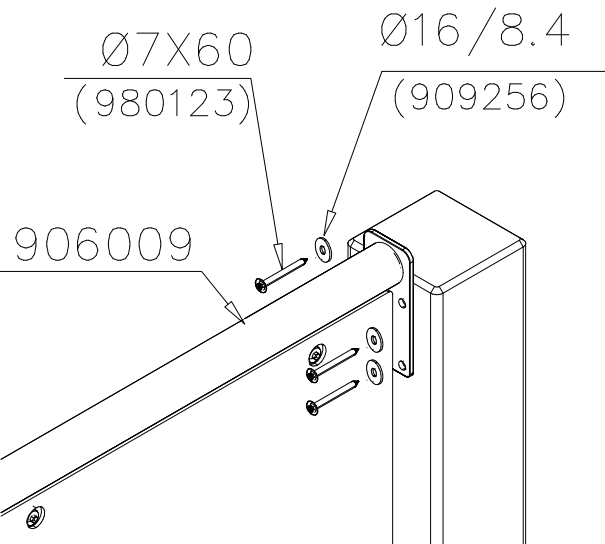
DET 4



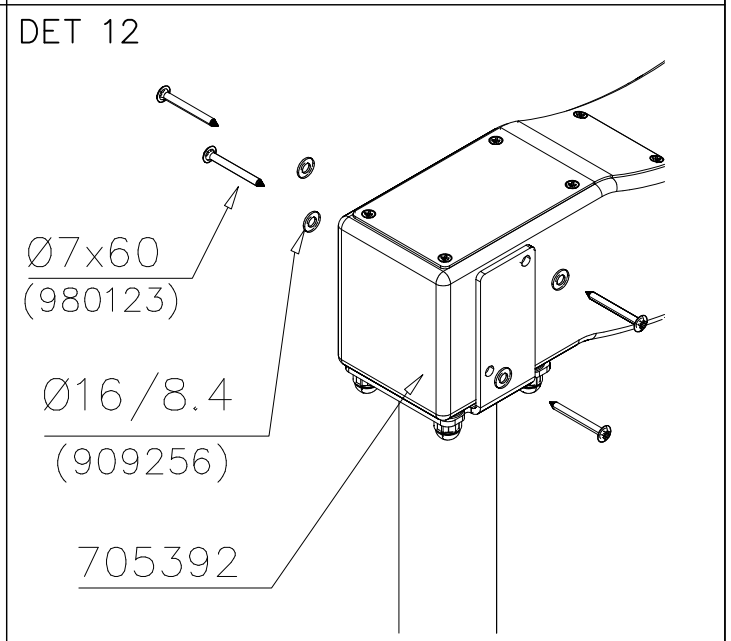
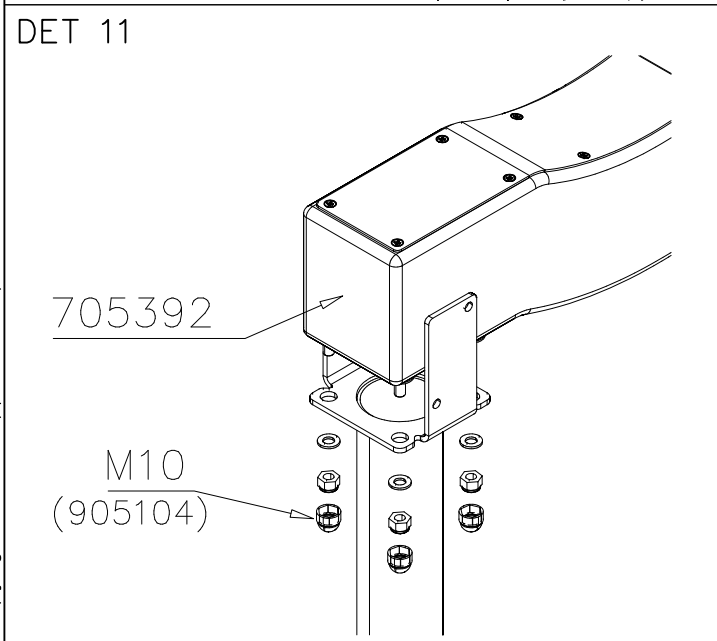
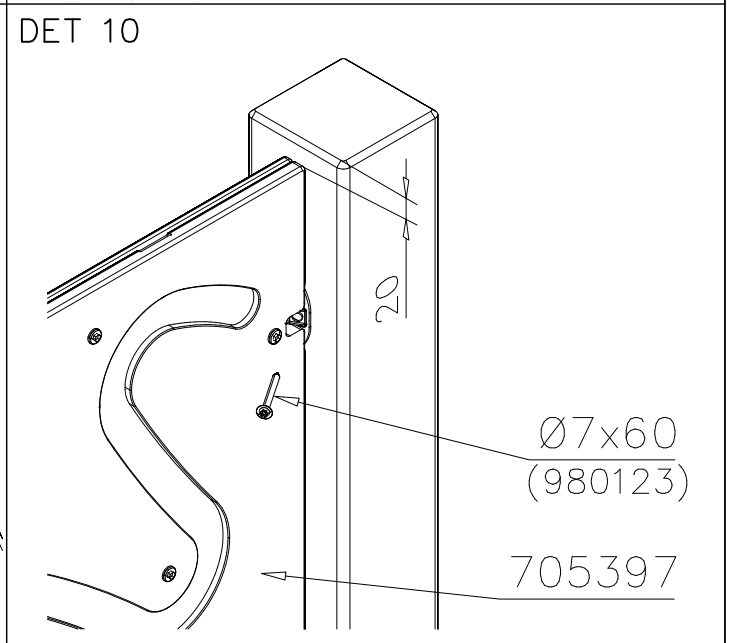
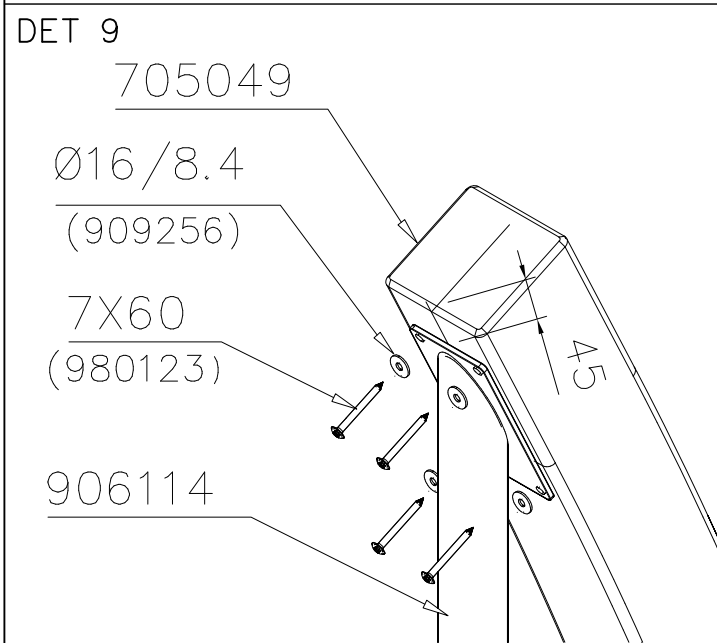
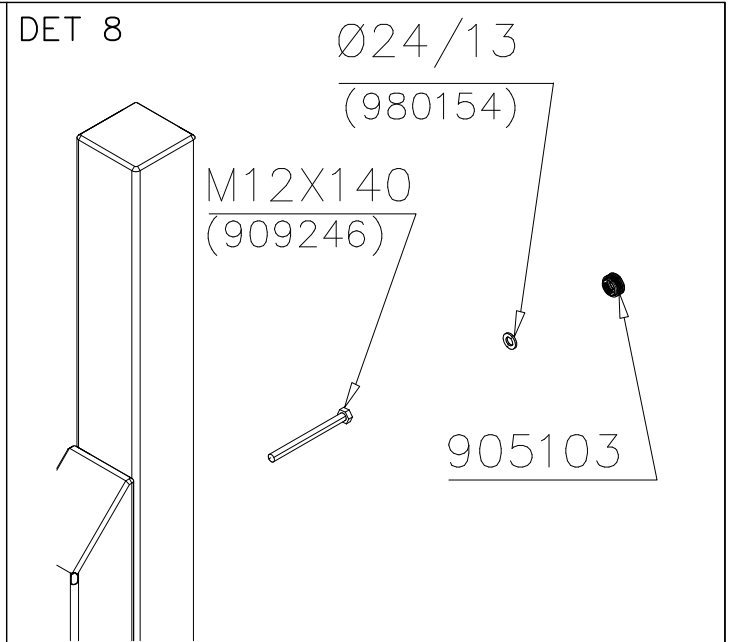
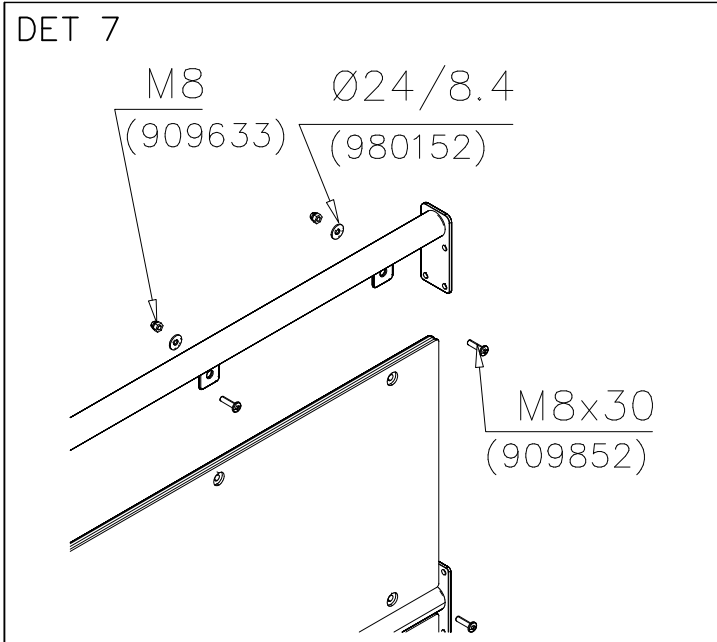
DET 5

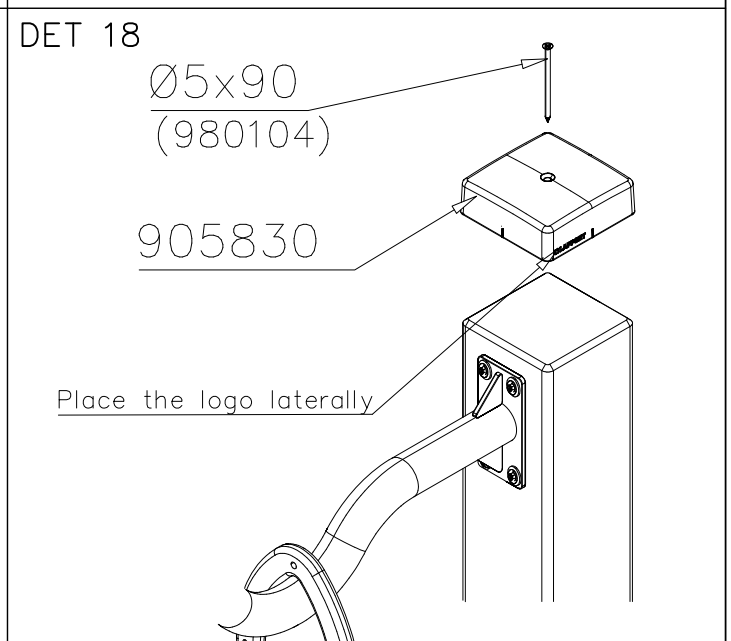
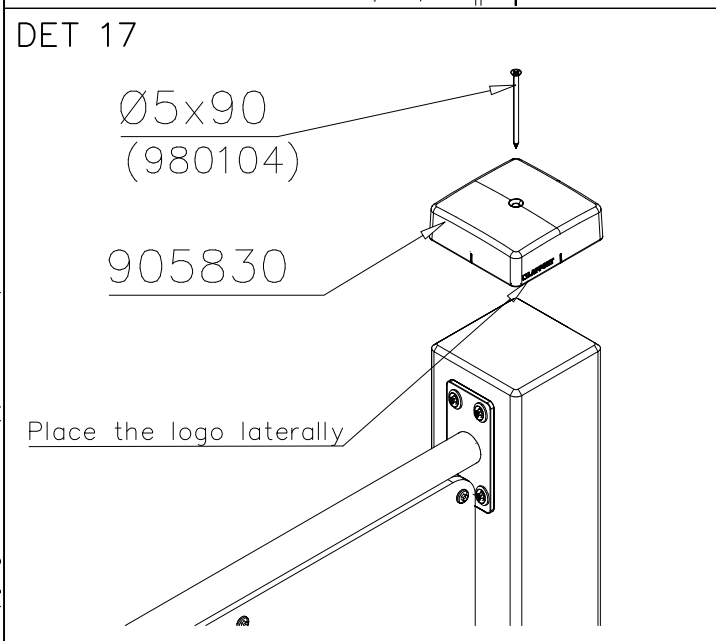
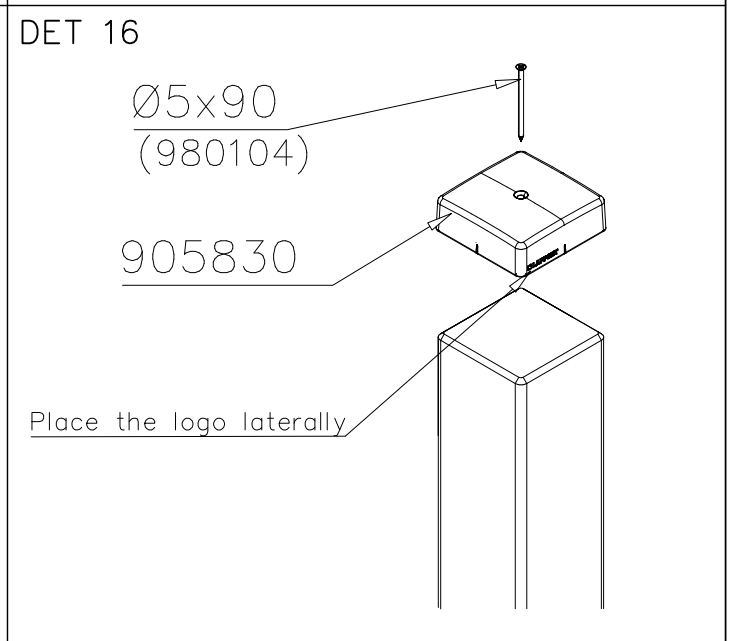
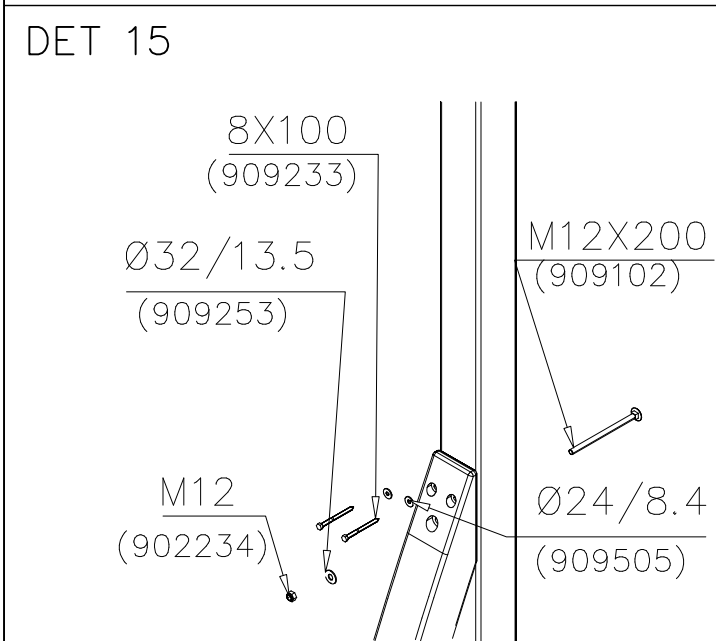
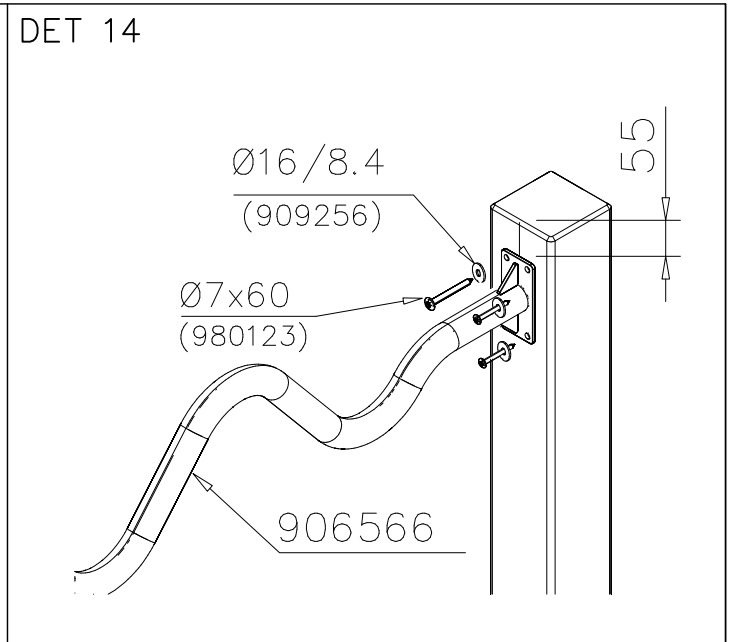
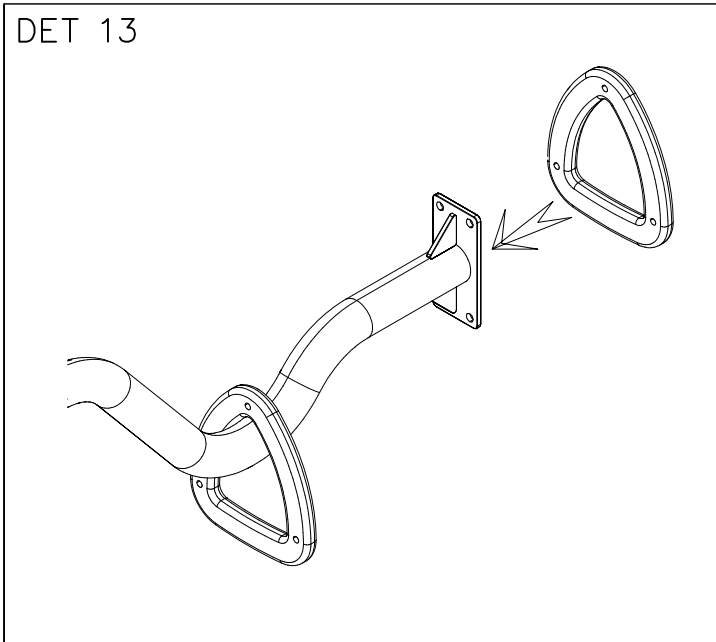


DET 6

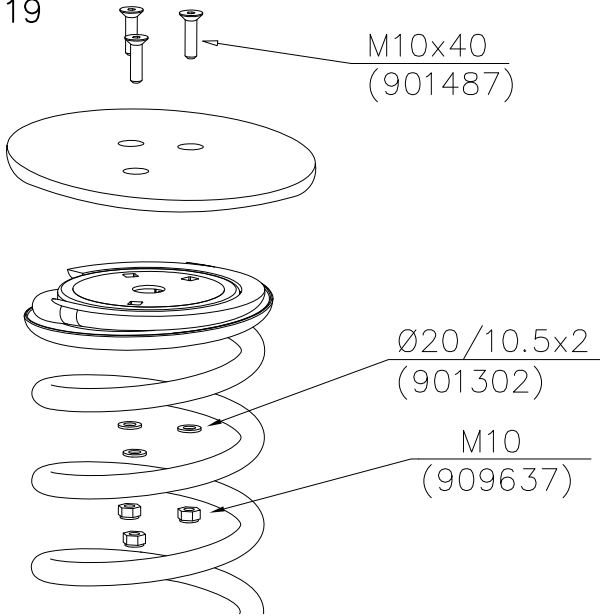




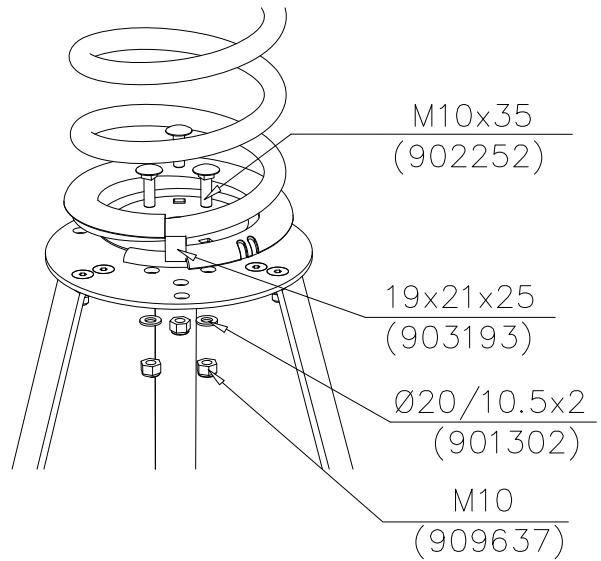




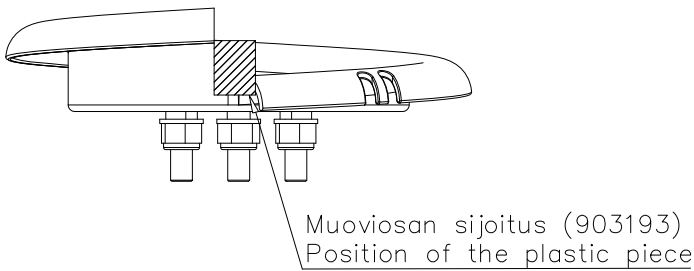
DET 19



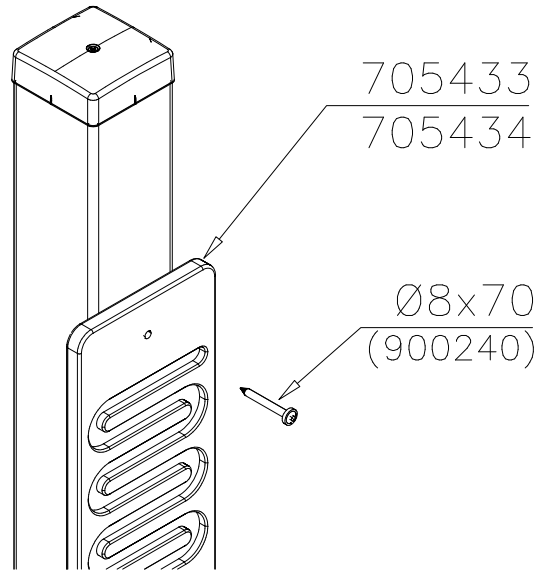
DET 20



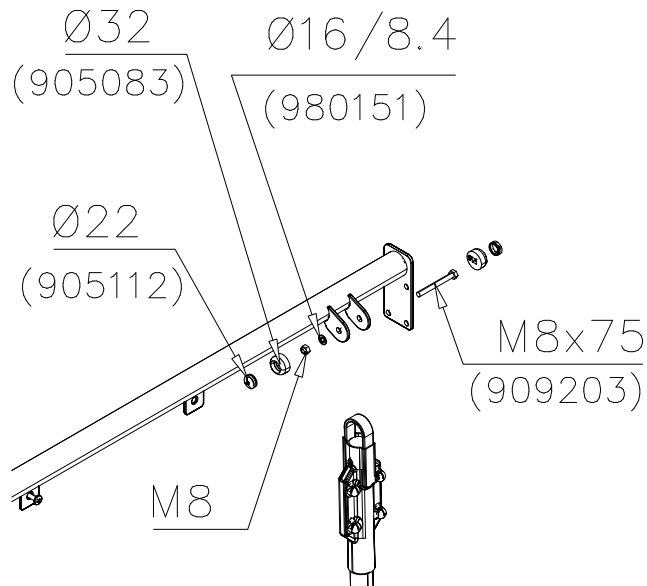
DET 21



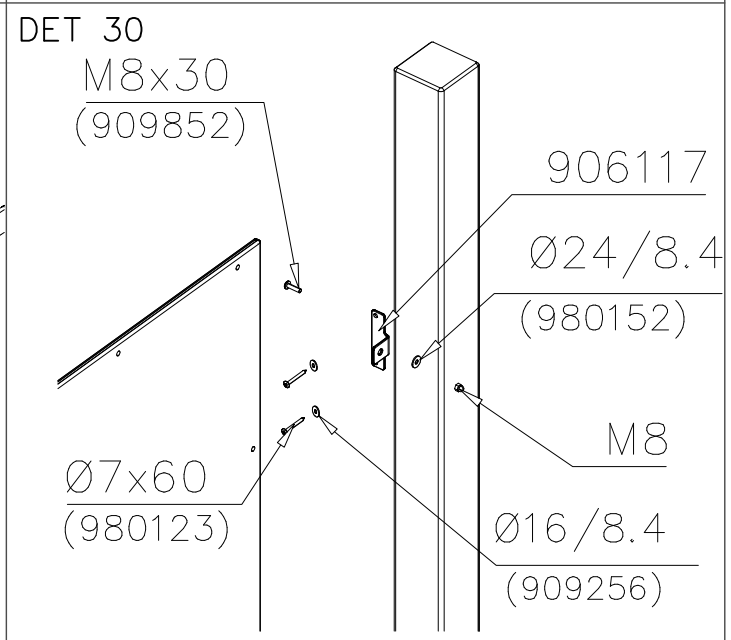
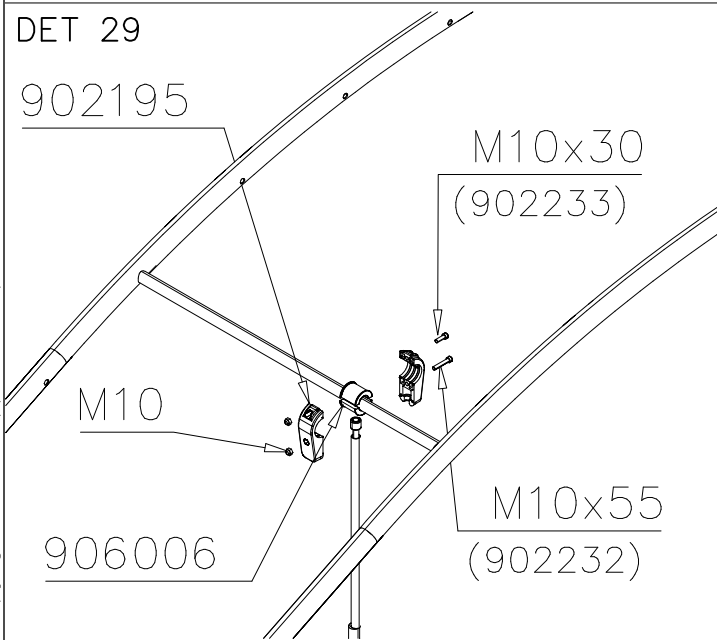
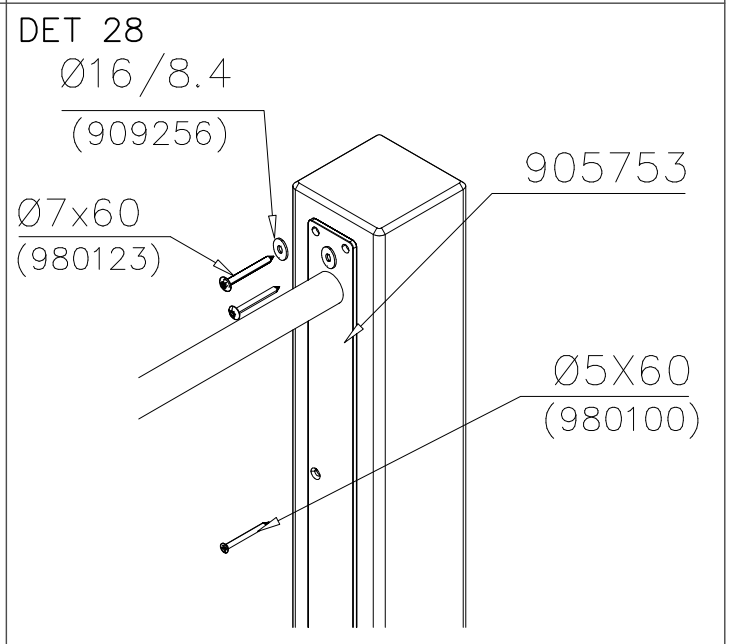
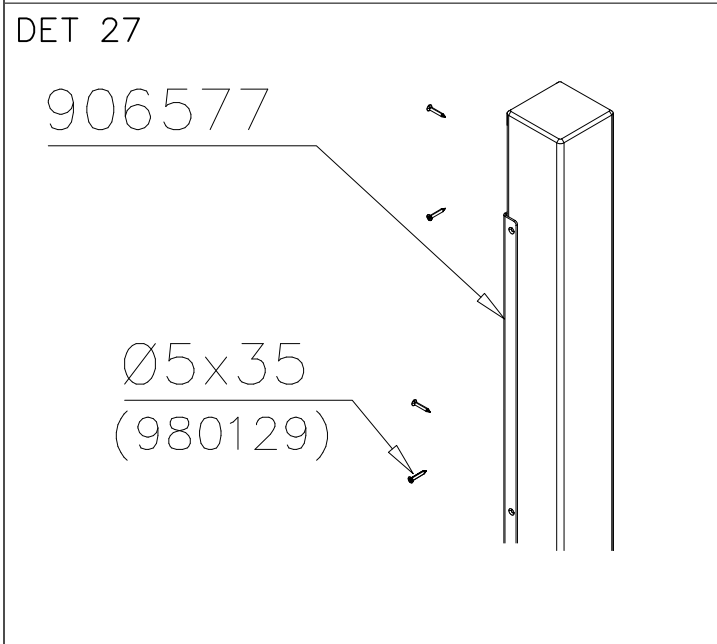
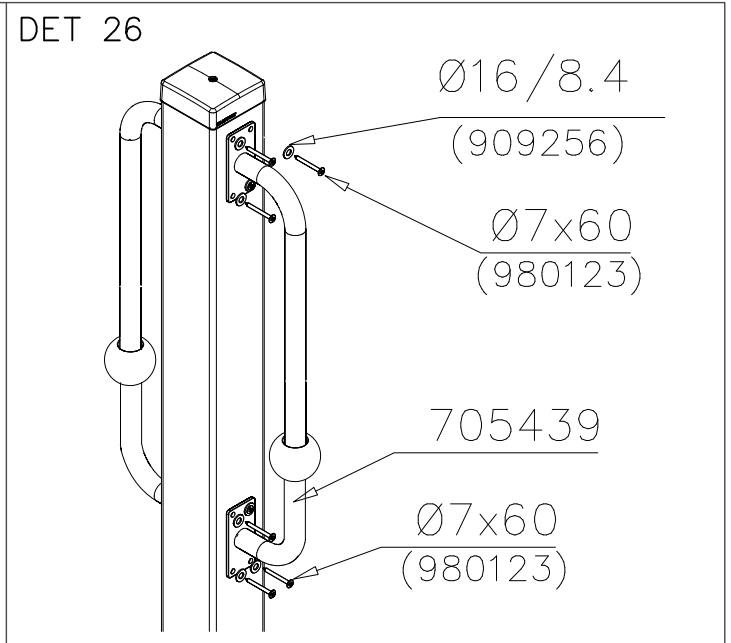
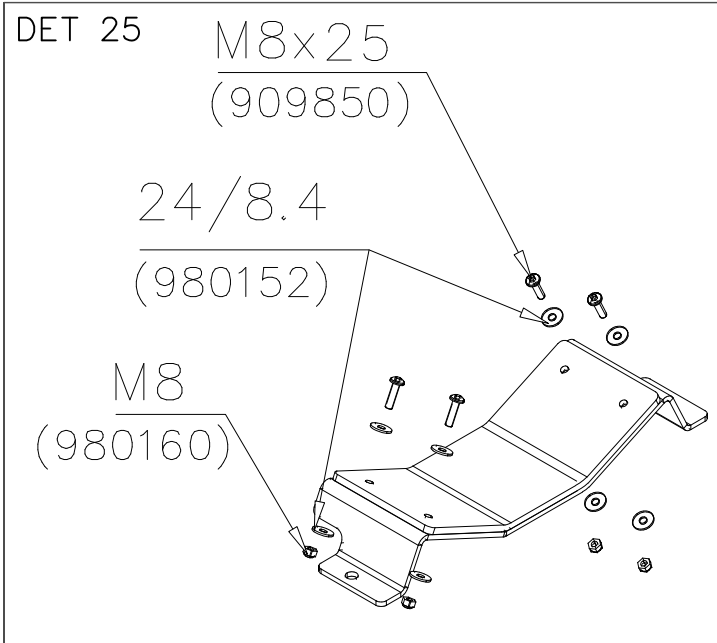
DET 22



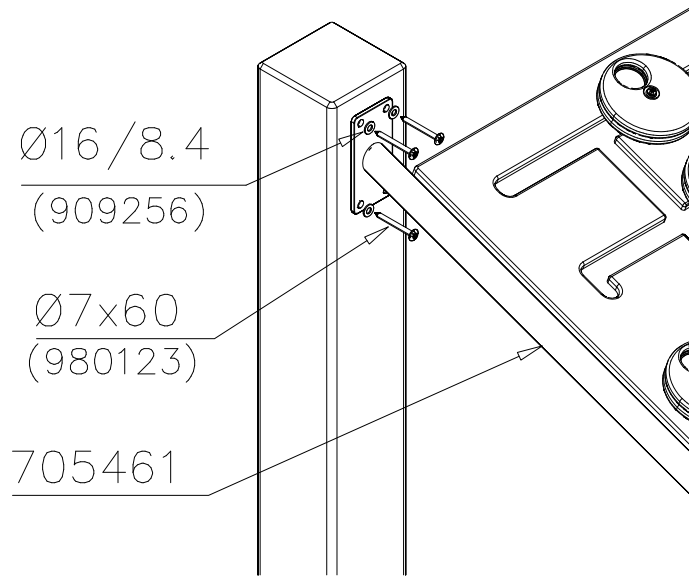
DET 23



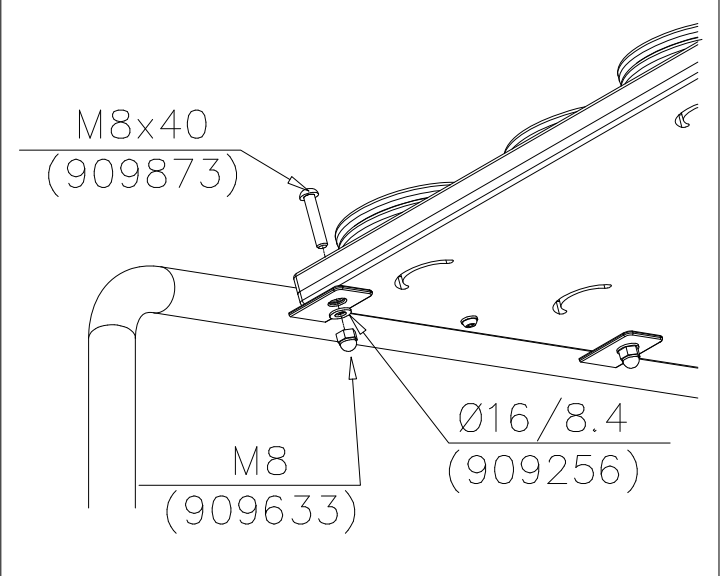
DET 24



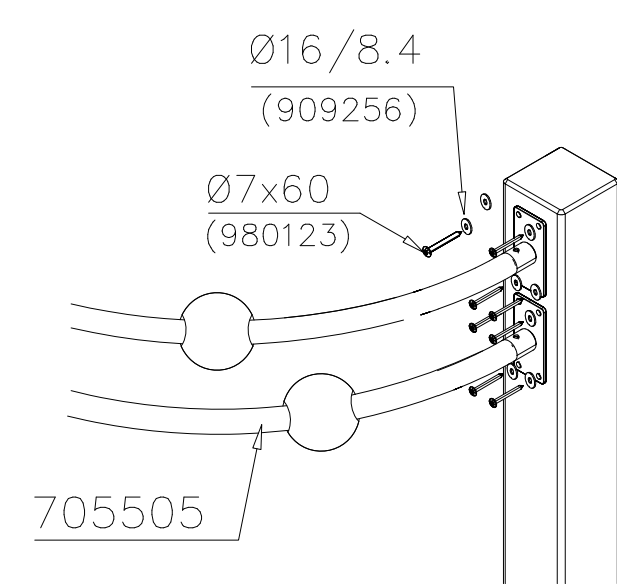
DET 31



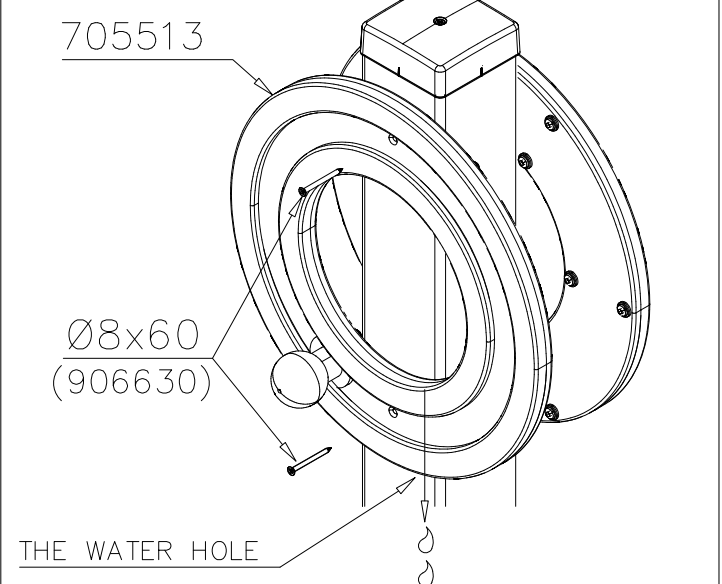
DET 32



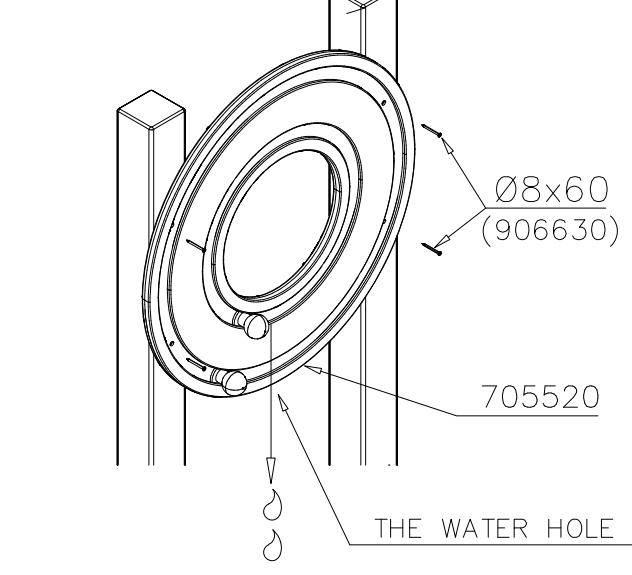
DET 33



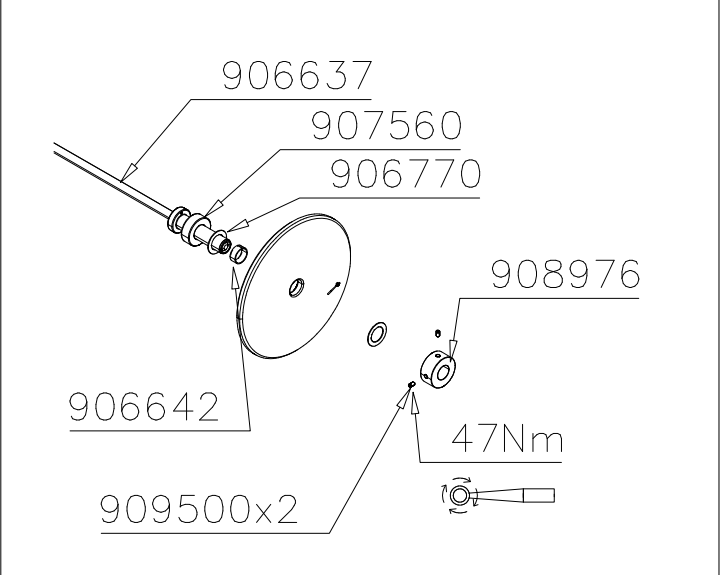
DET 34



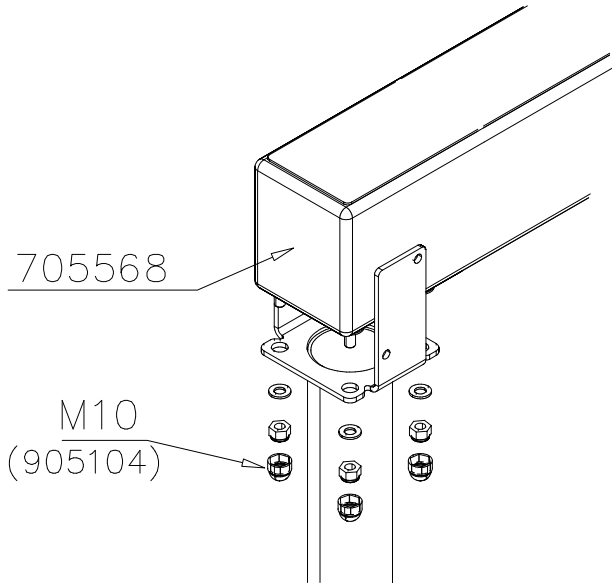
DET 35



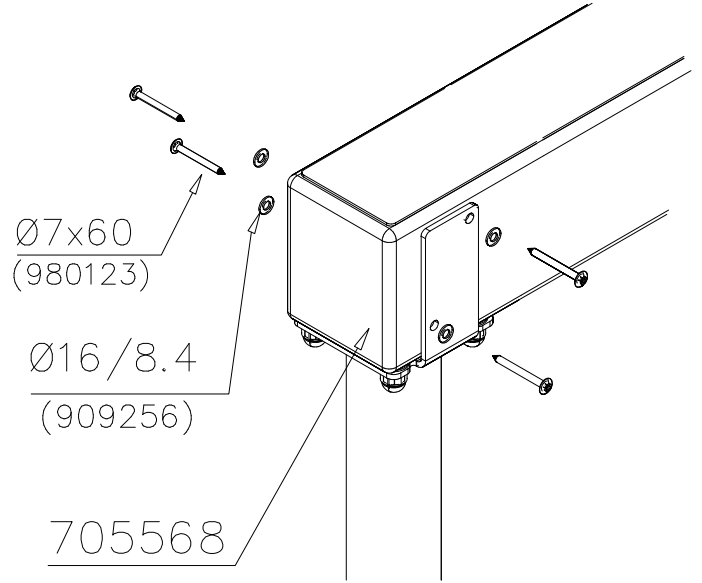
DET 36



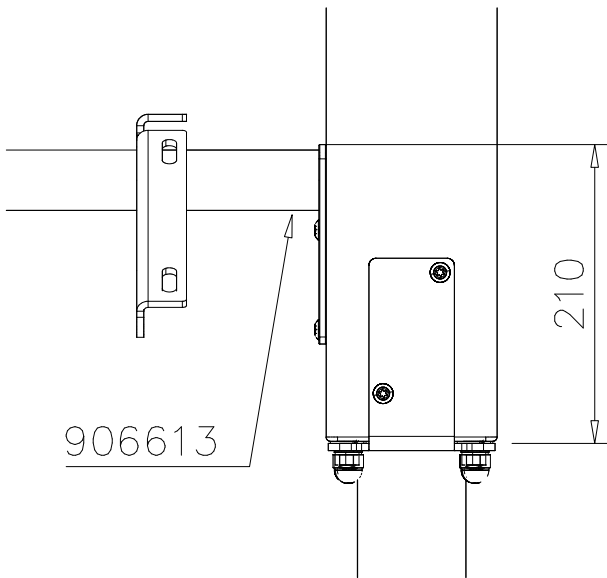
DET 37



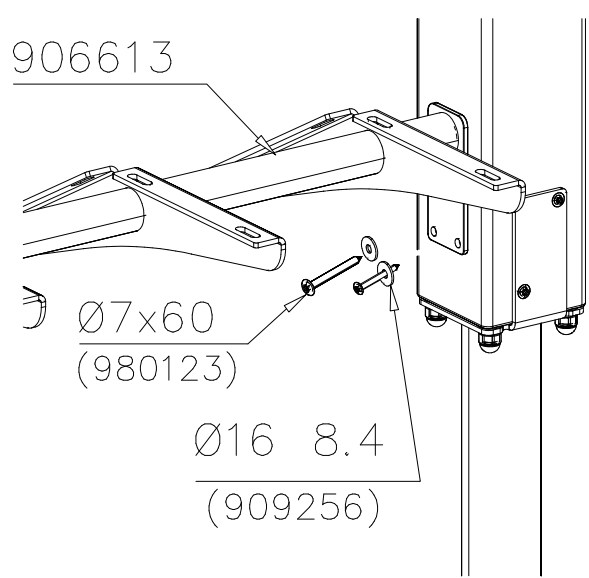
DET 38



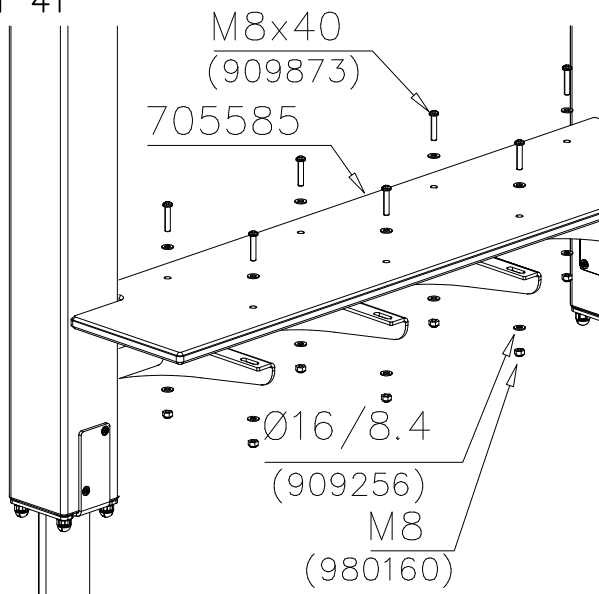
DET 39



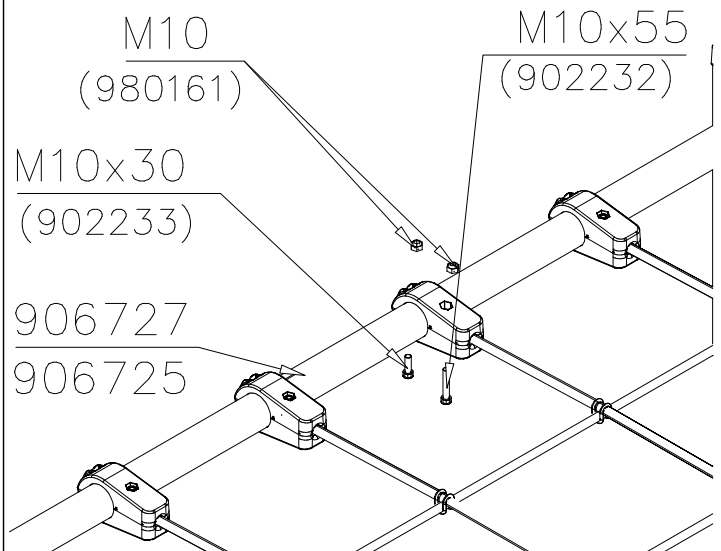
DET 40

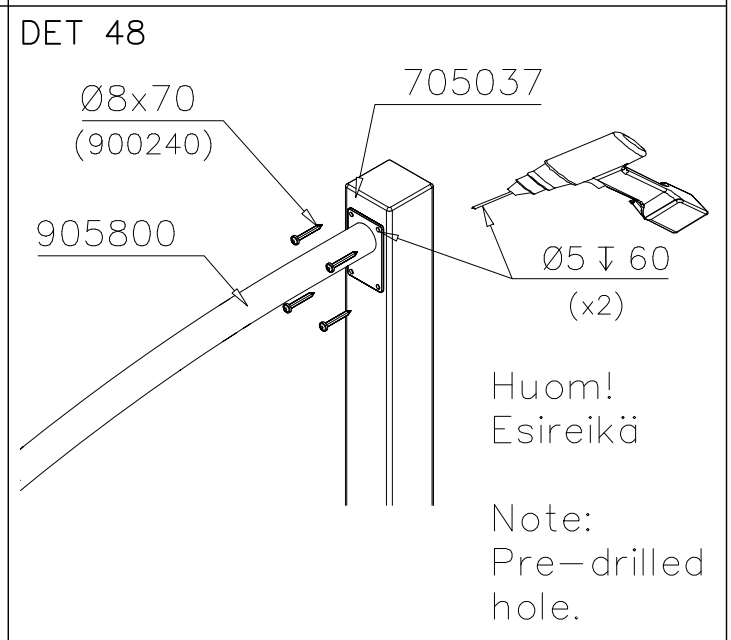
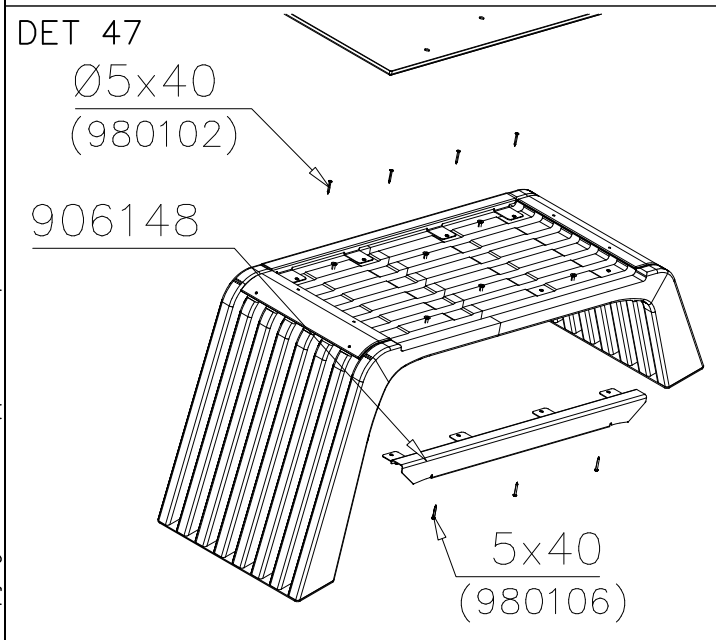
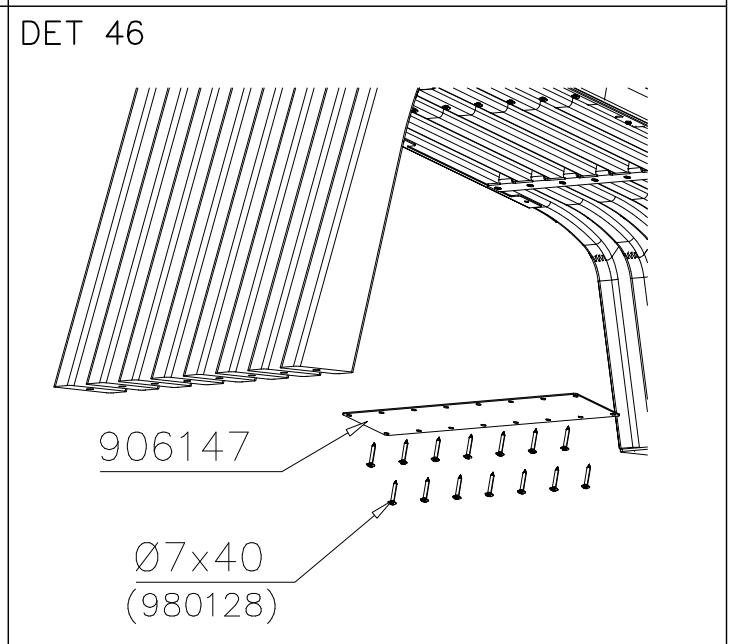
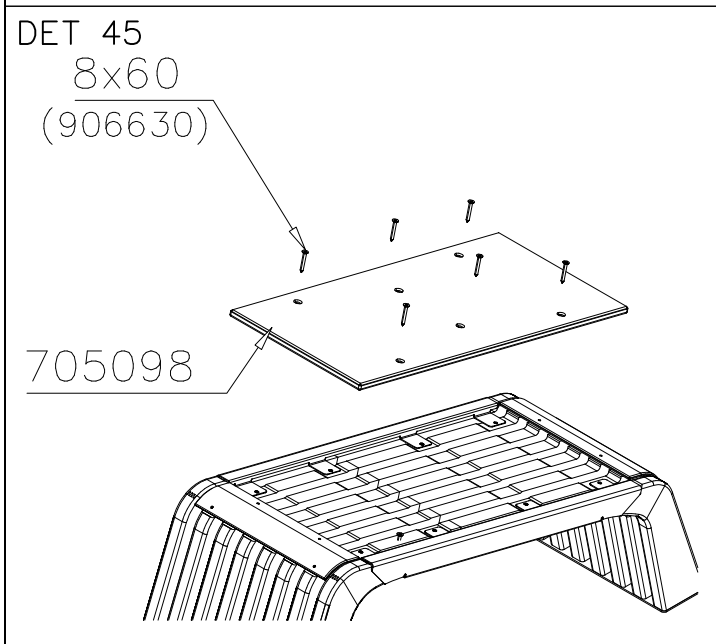
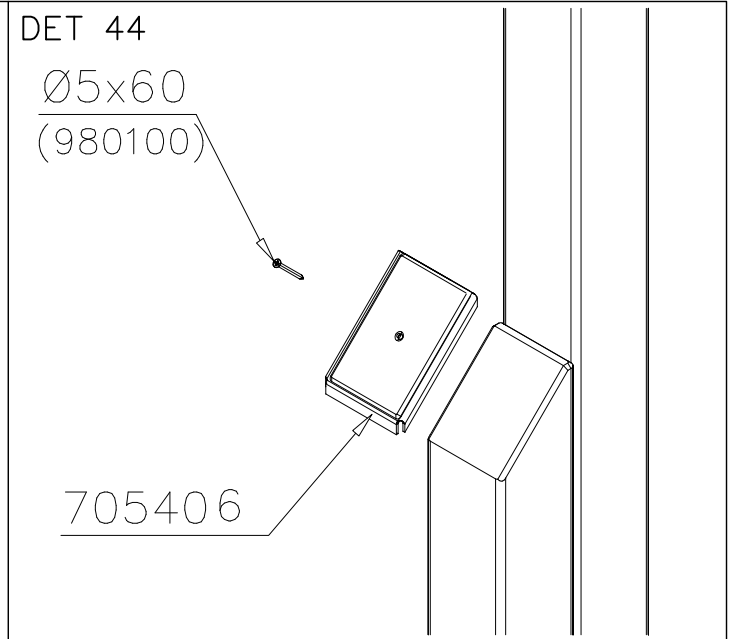
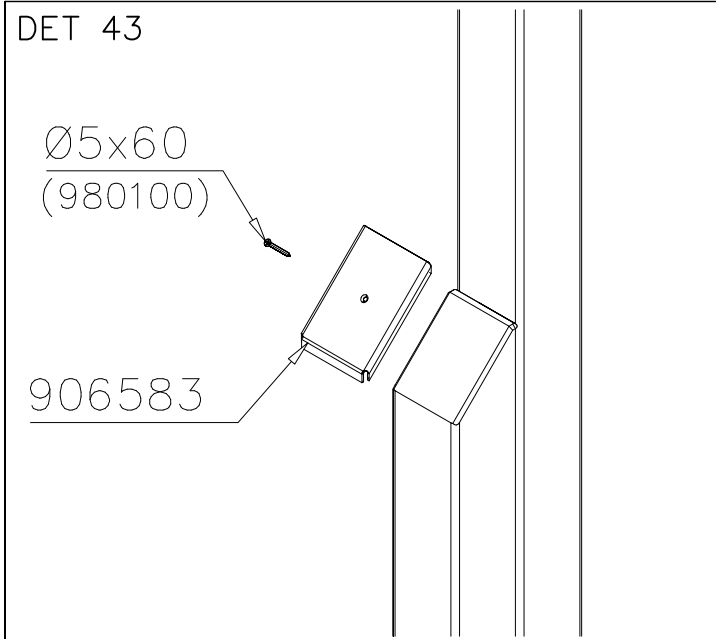


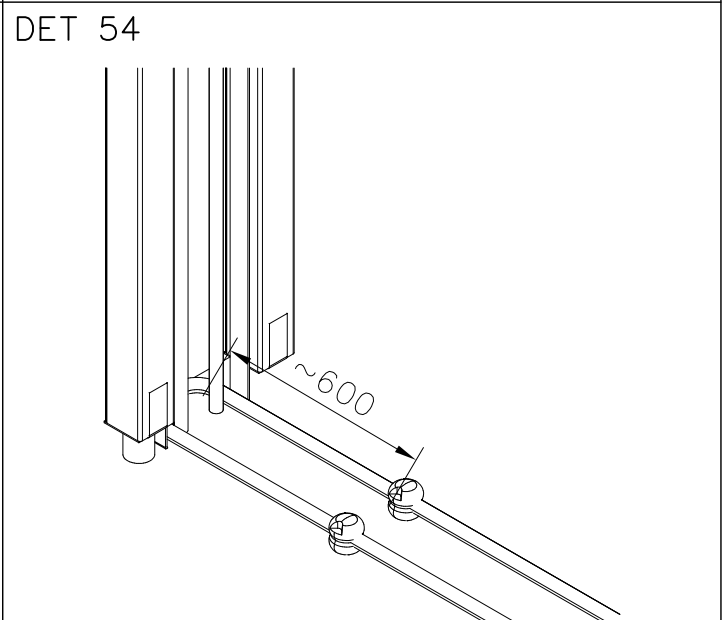
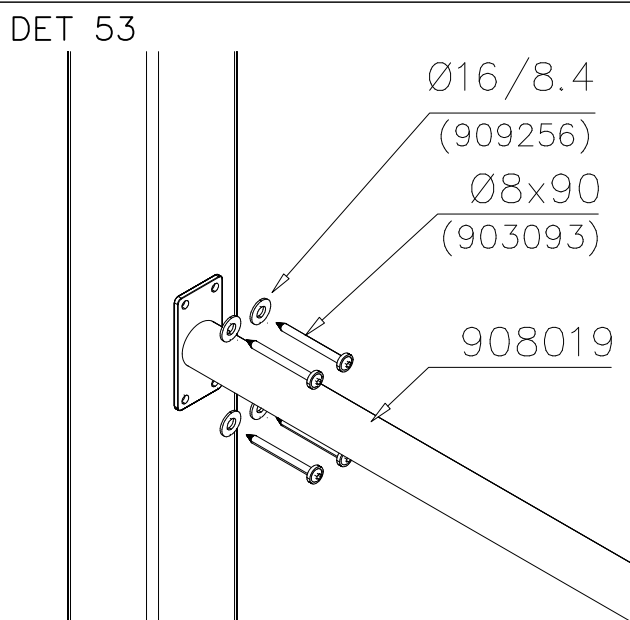
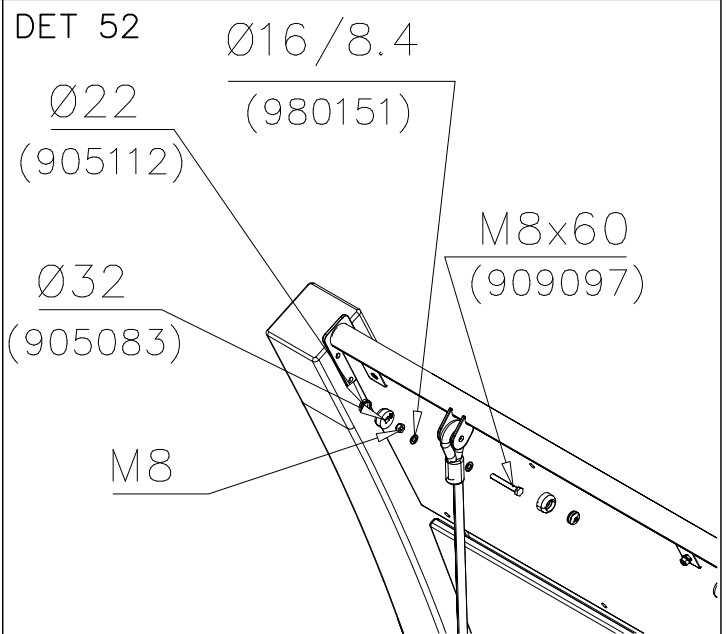
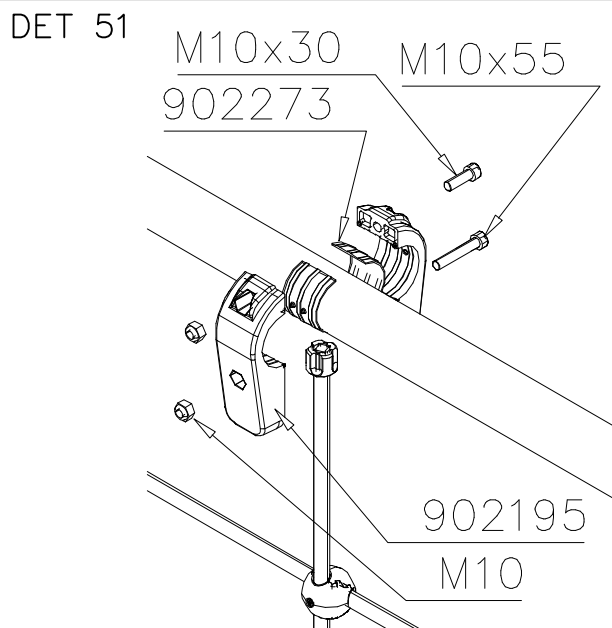
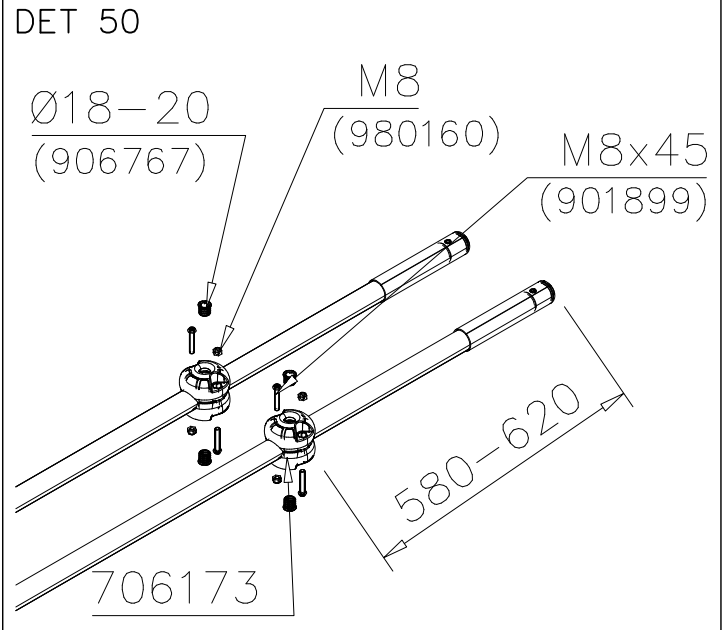
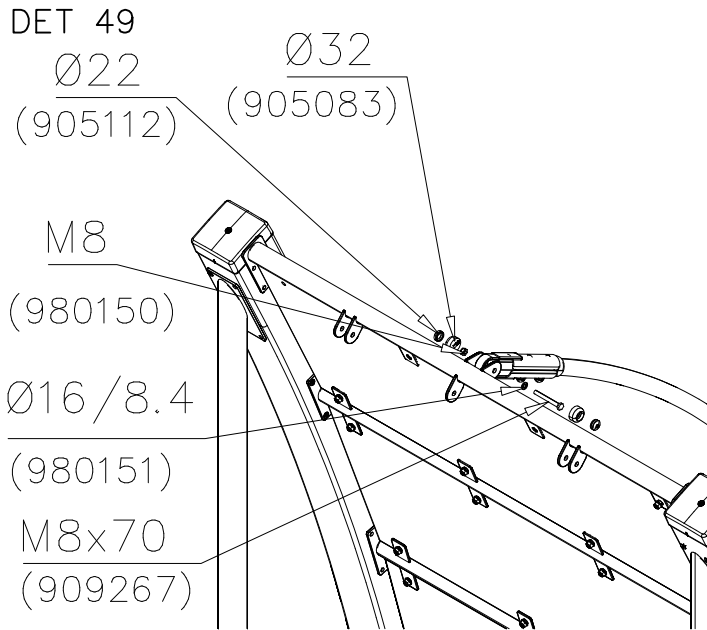
DET 41



DET 42

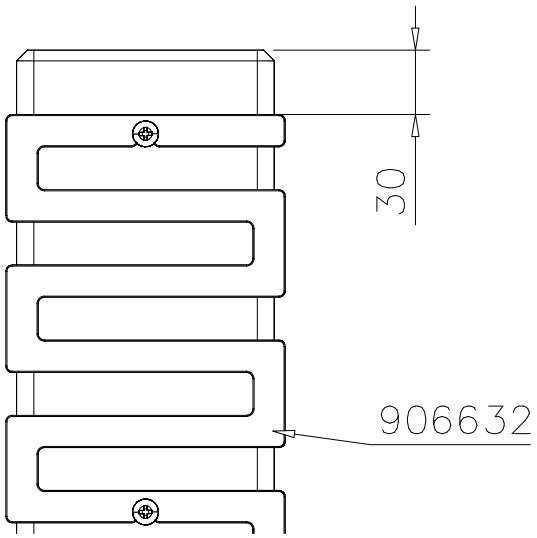




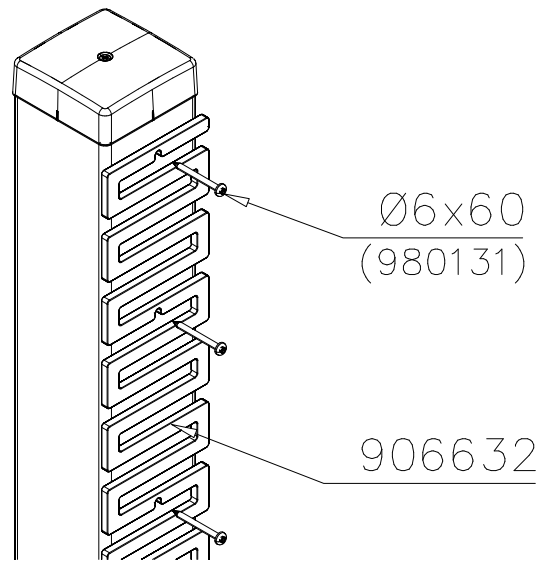




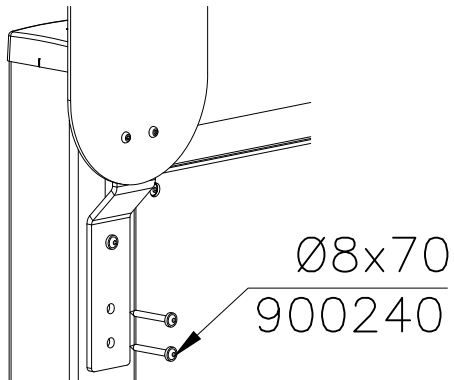
DET 55



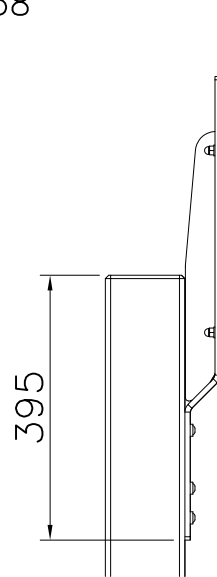
DET 56



DET 57



DET 58



DET 59

DET 60

**LAPPSET®**  
**BETON FOUNDATION**

**FOOT**

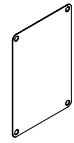

DATE: 27.10.2015

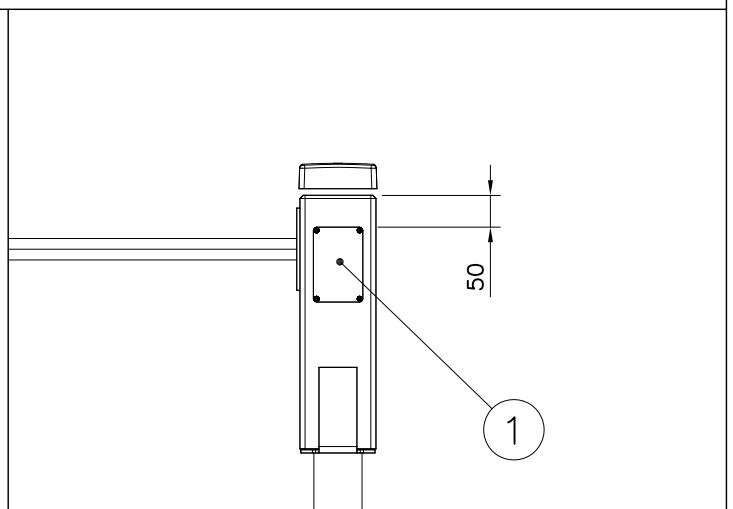
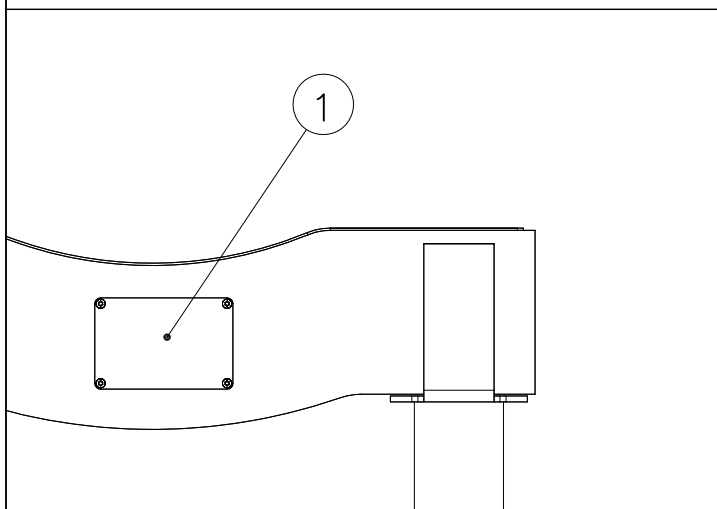
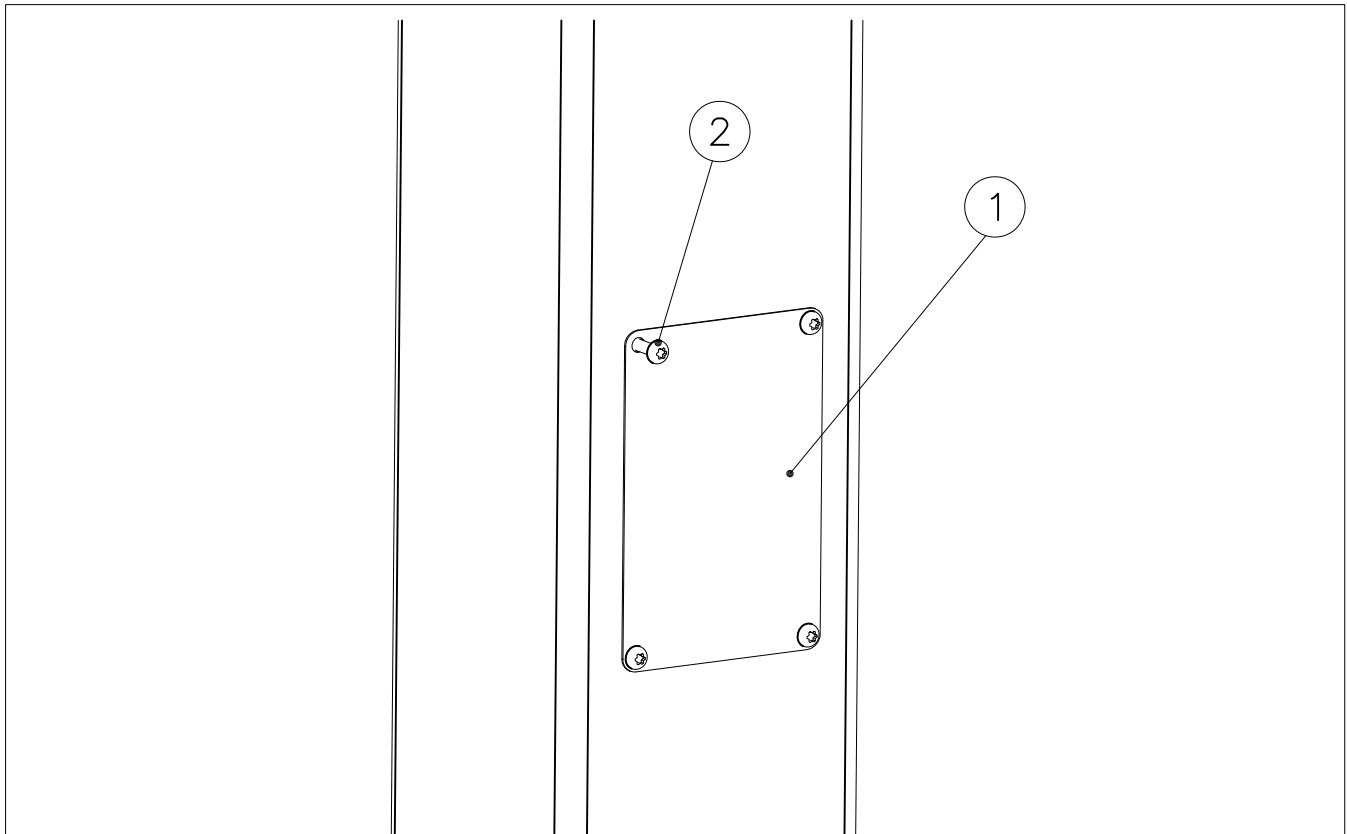
**1(1)**

② 905104	PCS		PCS
	4		
 M10	PCS		PCS



905104

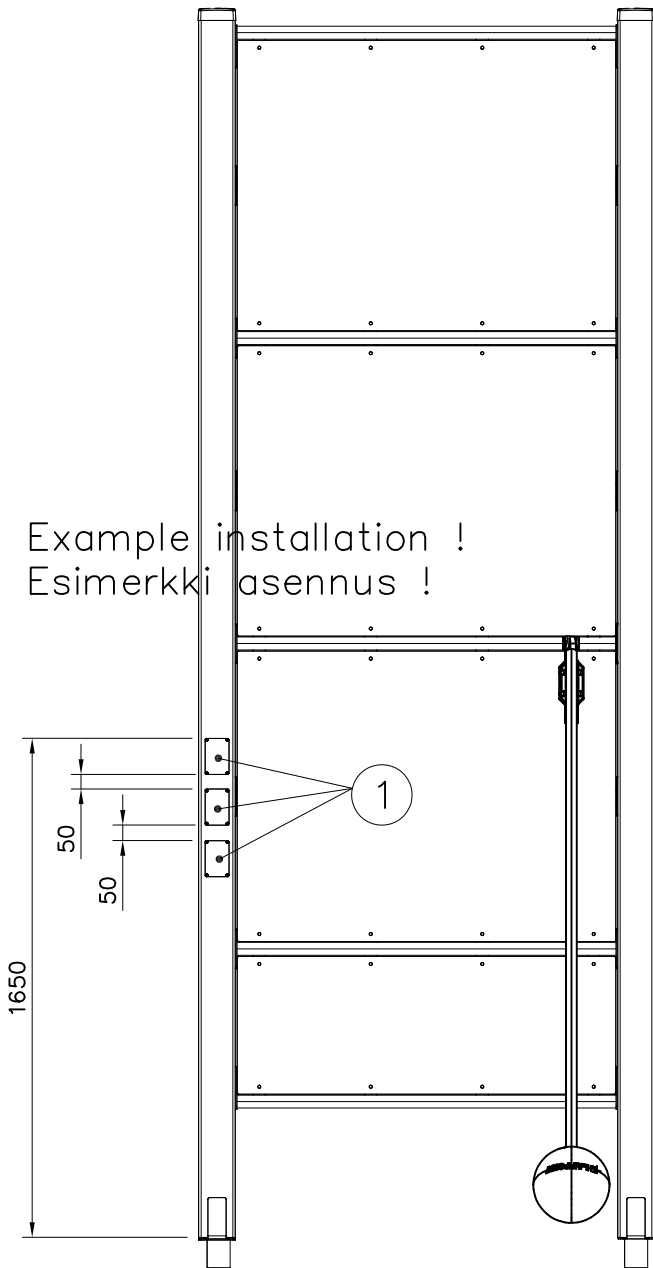
① SHEET METAL	PCS	② 980114	PCS
	1		4
118x78x0.7		Ø4x20	



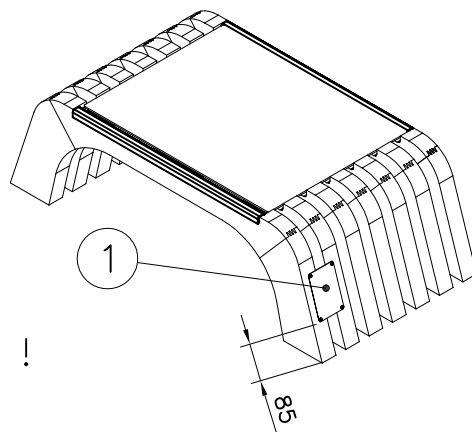
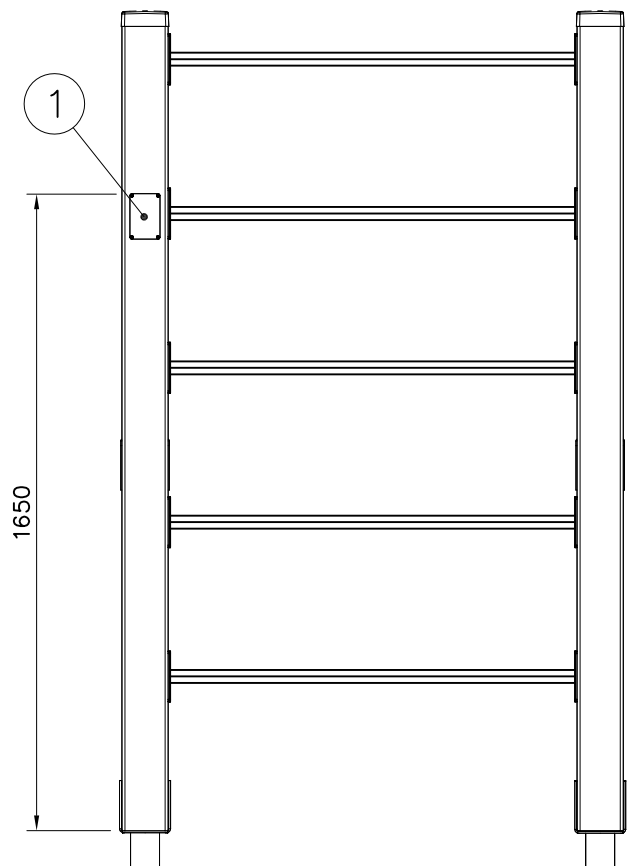
Example installation !  
Esimerkki asennus !

Example installation !  
Esimerkki asennus !

Example installation !  
Esimerkki asennus !



Example installation !  
Esimerkki asennus !



Example installation !  
Esimerkki asennus !