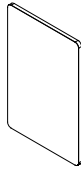

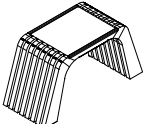


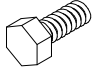
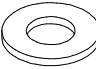

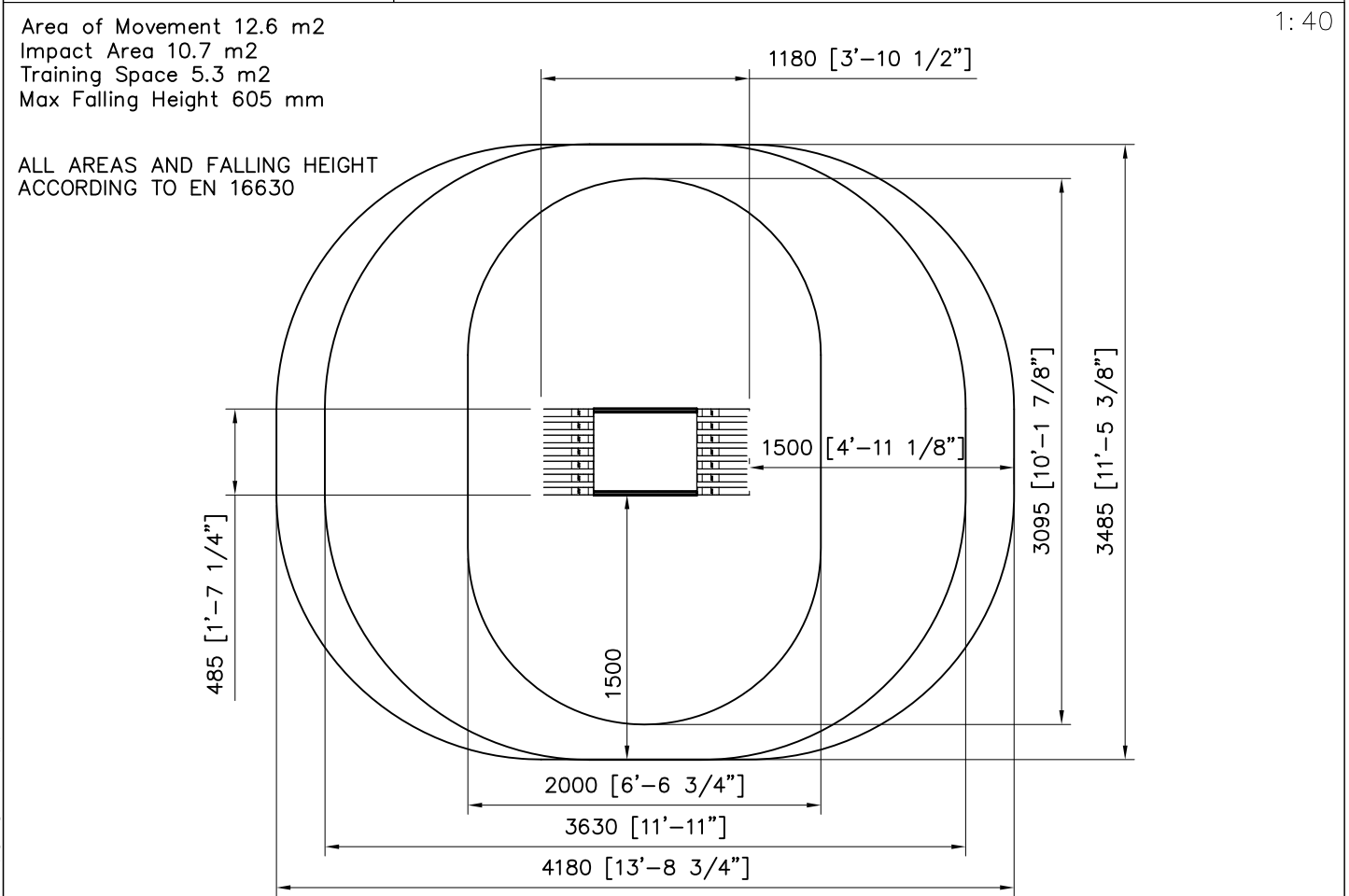
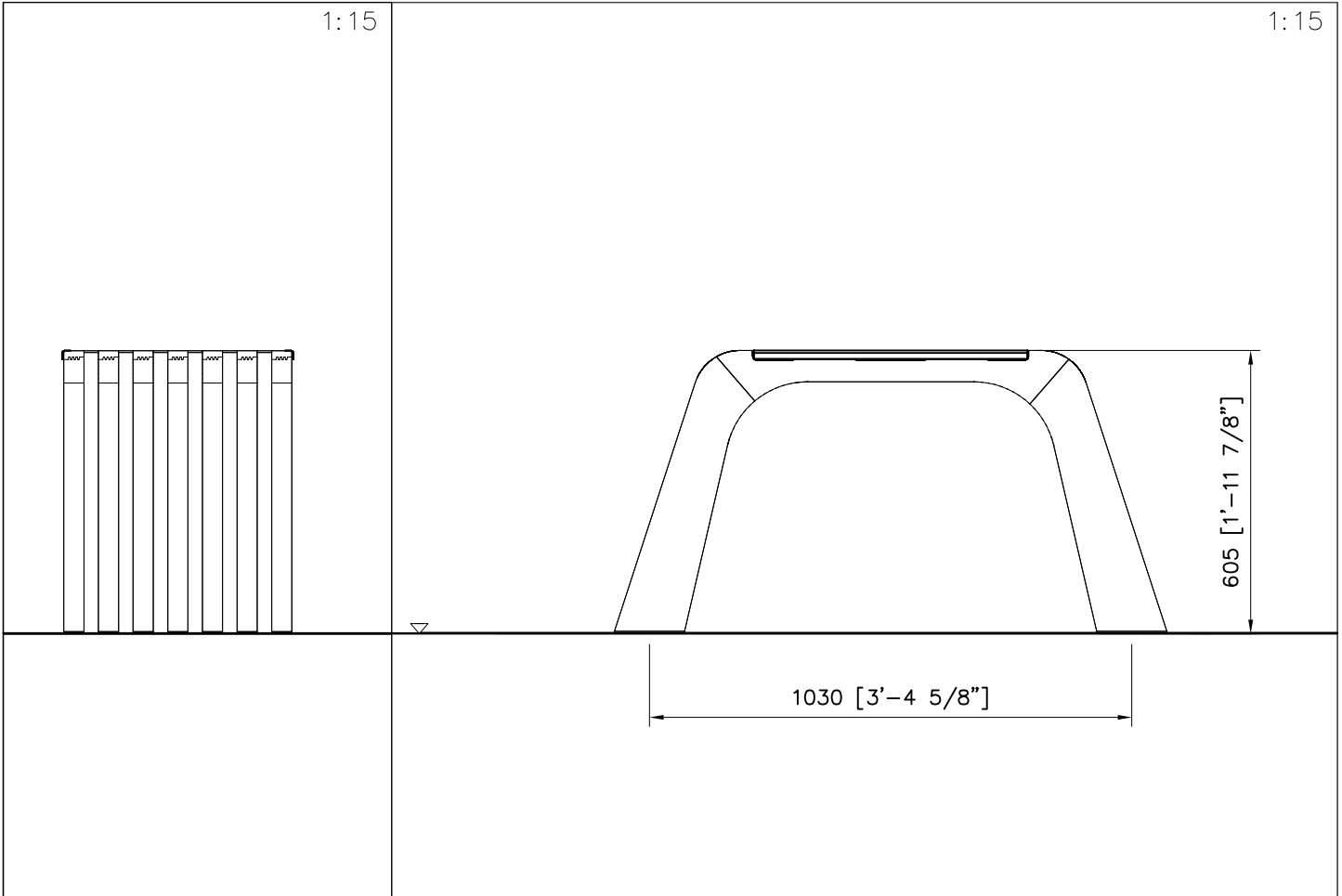


①	706019	PCS	②	980114	PCS
		1			4
				Ø4x20	
③	705412	PCS	④	902272	PCS
		1			4
				90x90x450	
⑤	909519	PCS	⑥	909639	PCS
		4			8
	50x380x380			M10x25	
⑦	909638	PCS	⑧	909637	PCS
		16			8
	Ø20/10.5			M10	
		PCS			PCS
		PCS			PCS
		PCS			PCS



		
<p><b><math>h &lt; 600</math></b></p> <p>Without movement and therefore without Impact Area</p>	<p>Totally hard surfaces.</p> <p>Note. Lappset does <u>not recommend</u> totally hard surfaces at all.</p>	<p>E.g. concrete or asphalt</p> 
<p><b><math>h &lt; 600</math></b></p> <p>With movement e.g. rocking</p>	<p>Materials with very limited impact attenuating properties.</p>	<p>E.g. wood</p> 
<p><b><math>h &lt; 1000</math></b></p>	<p>Materials with significant impact attenuating properties.</p>	<p>fine gravel 0–8 mm</p>  <p>grass</p>  <p>unsorted sand</p> 
<p><b><math>h &lt; 3000</math></b></p>	<p>Loose fill material</p> <p>E.g. sand/gravel 0,25...8 mm D60/D10&lt;3,0 Woodchips 5...30 mm bark 20...80 mm</p>	 <p><math>\underline{S}</math>                      <math>\underline{h}</math></p> <p>30 cm                      &lt; 2,0 m</p> <p>40 cm                      &lt; 3,0 m</p>
	<p>Syntethic granulates</p> <p><math>\underline{S}</math>                      <math>\underline{h}</math></p> <p>40 mm ~&gt; 1,2...1,3 m</p> <p>50 mm ~&gt; 1,5...1,7 m</p> <p>60 mm ~&gt; 1,8...2,0 m</p> <p>70 mm ~&gt; 2,1...2,5 m</p> <p>Note. For accurate values, see manufacturer's instructions.</p>	

REMOVE SAFETY SURFACE/SAND/GRAVEL  
TO CHECK FOUNDATION

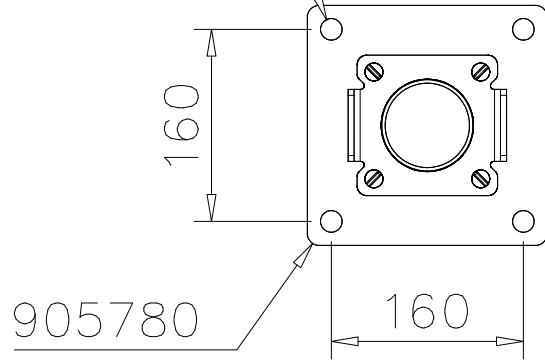


REMOVE SAFETY SURFACE/SAND/GRAVEL  
TO CHECK FOUNDATION



DET 1

$\varnothing 16 \downarrow > 130$



DET 2



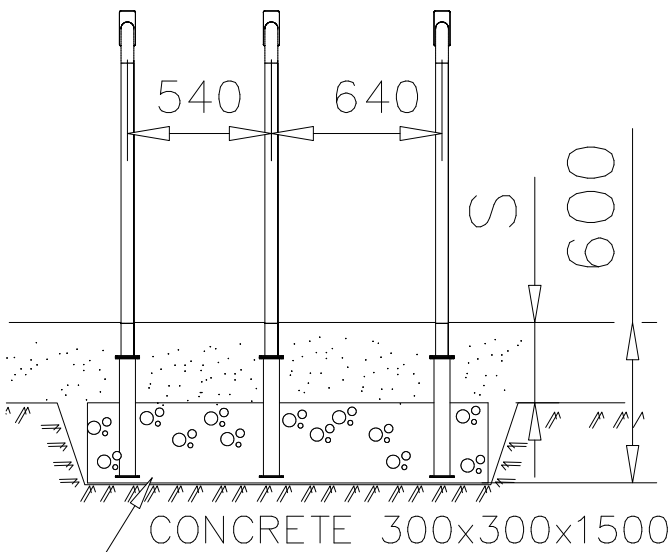
DET 3



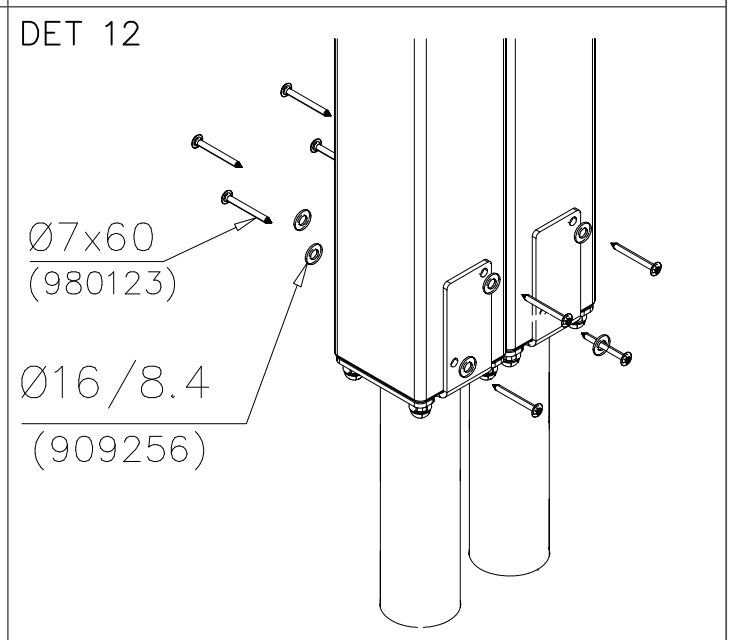
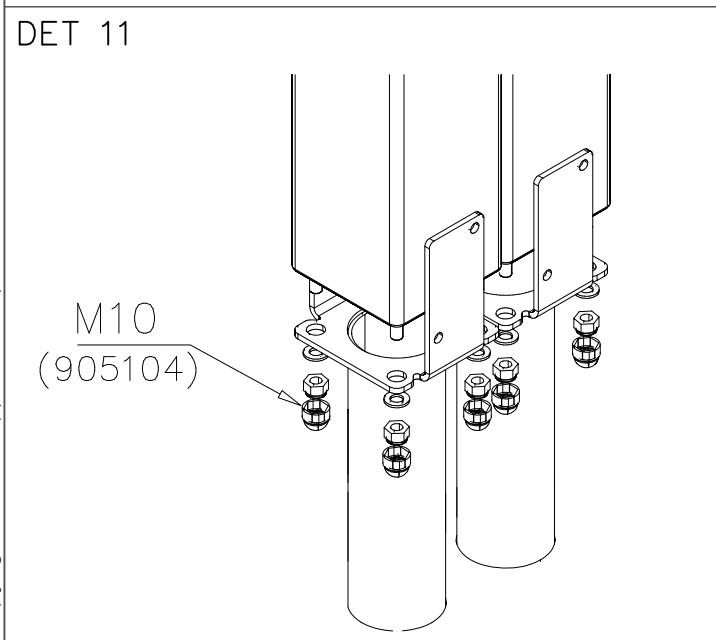
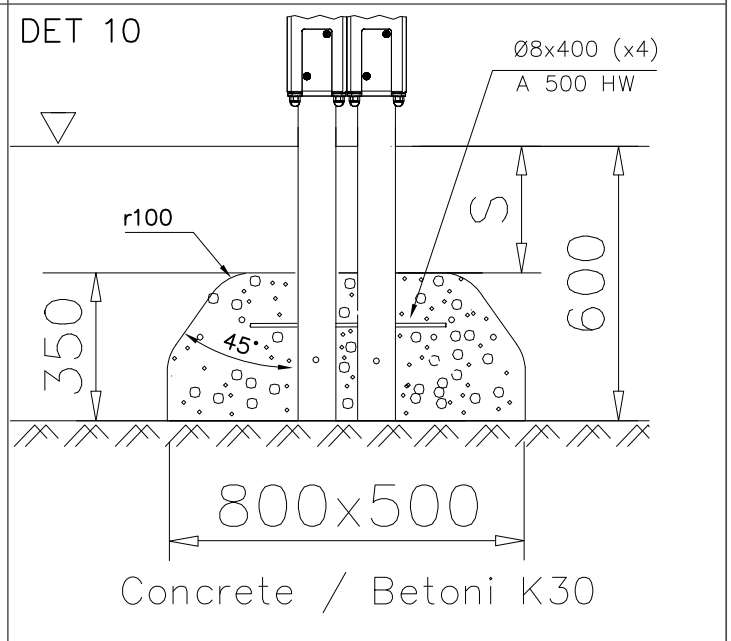
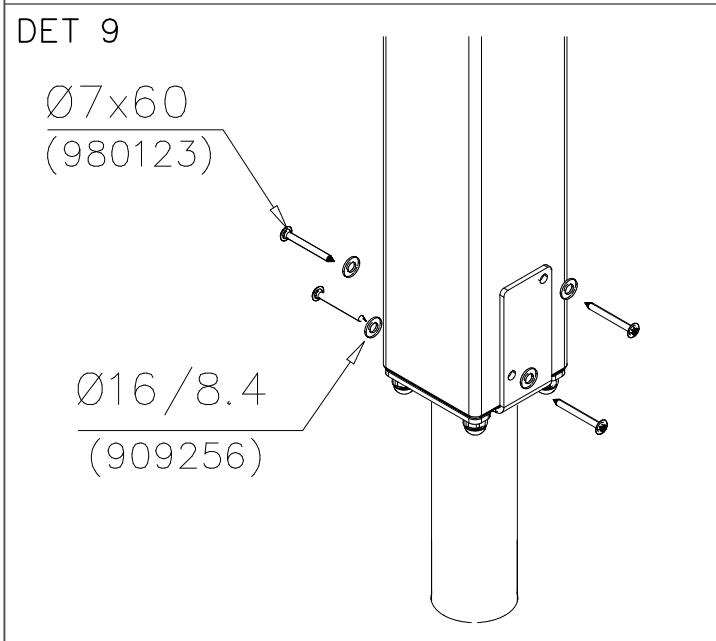
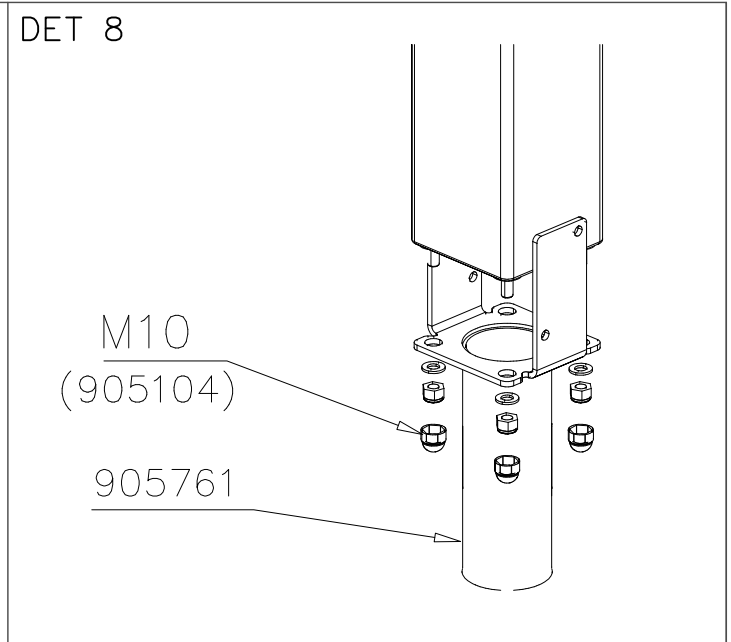
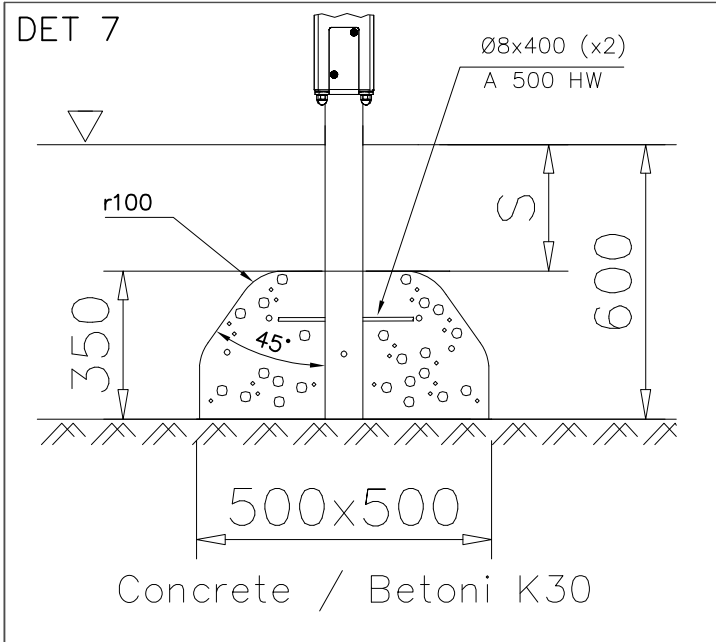
DET 4



DET 5



DET 6



DET 13



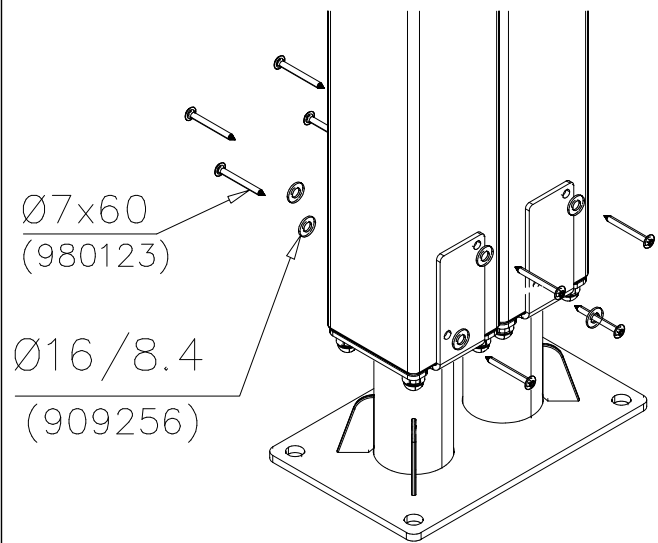
DET 14



DET 15

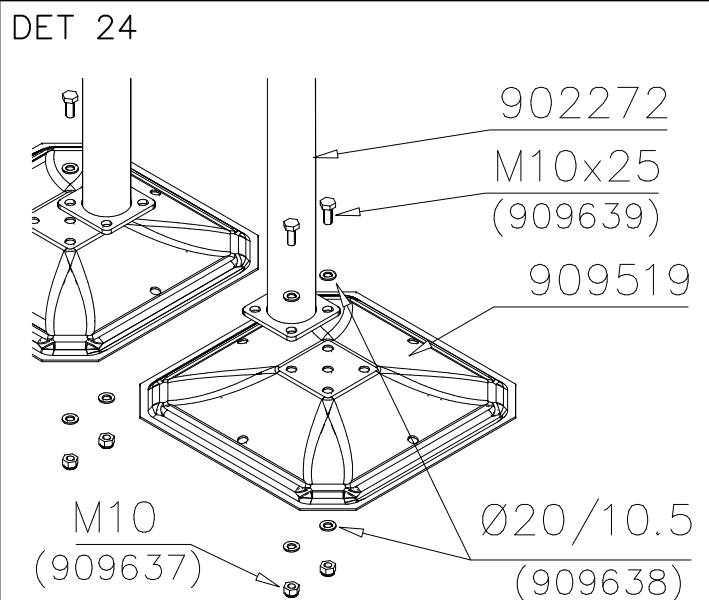
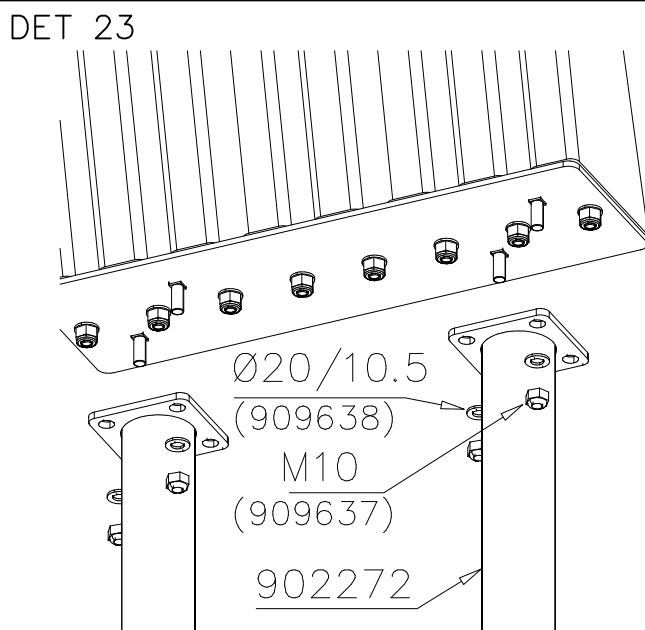
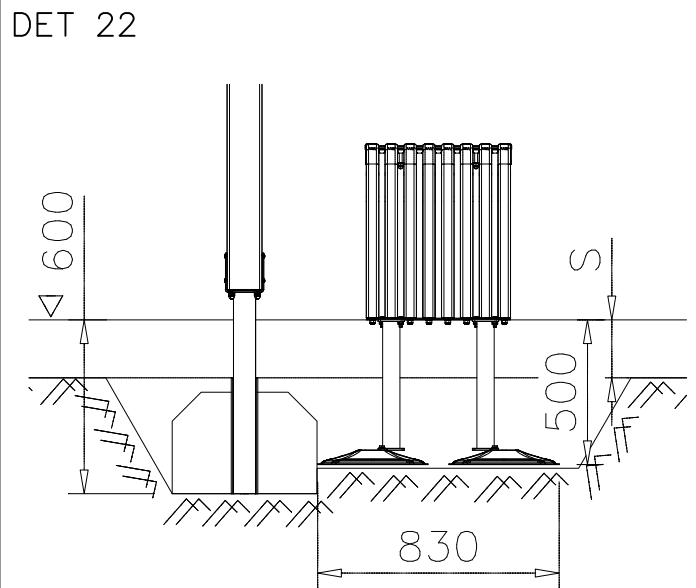
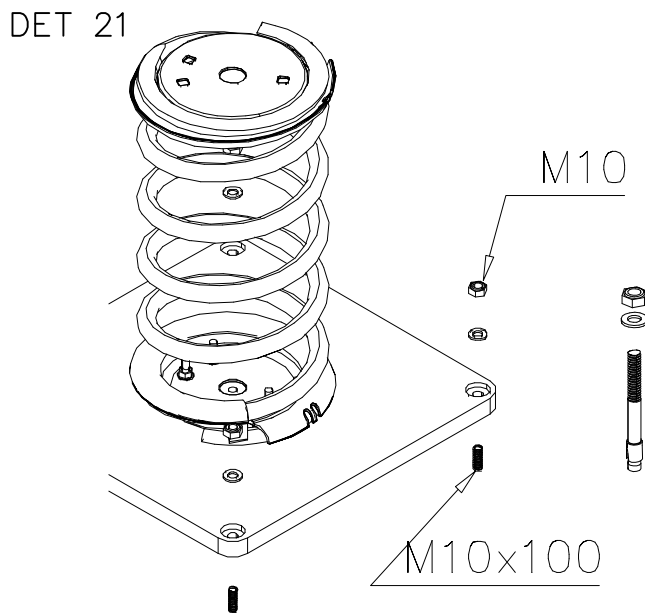
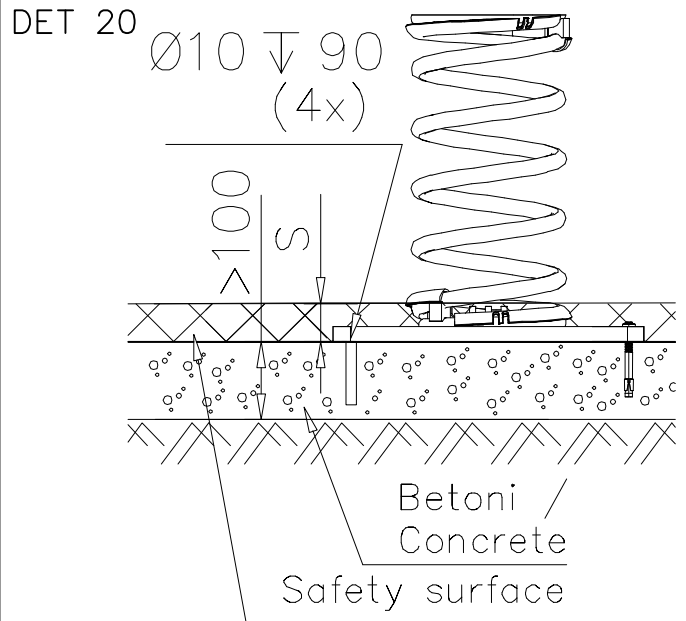
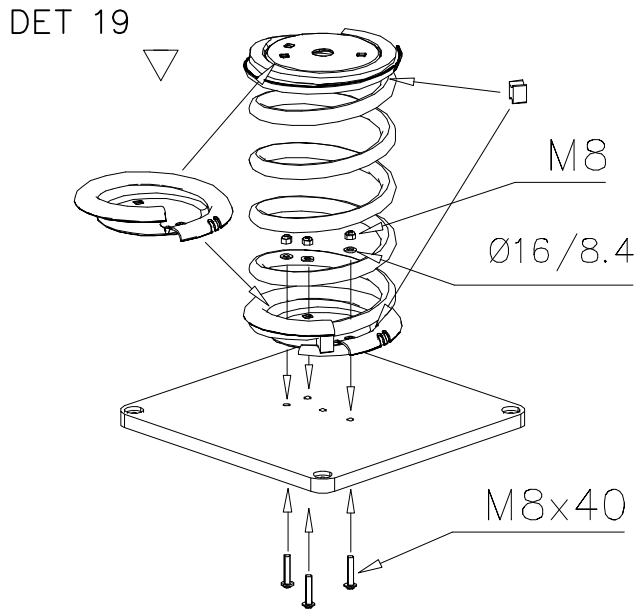


DET 16



DET 17

DET 18



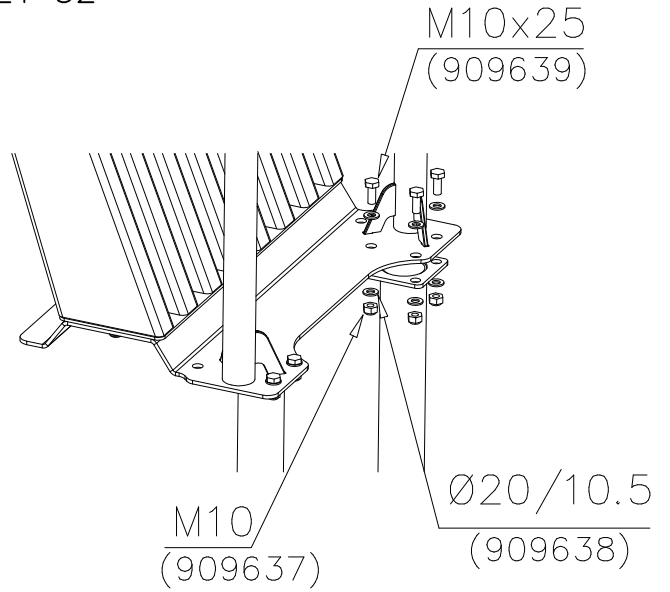




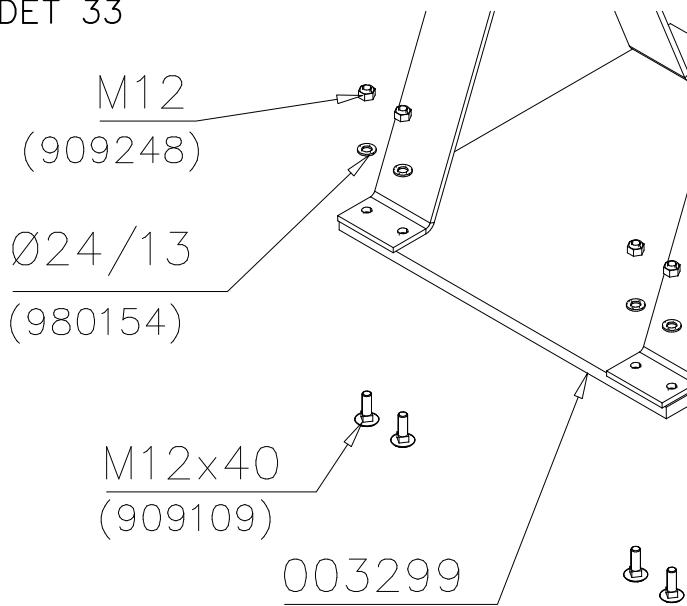
DET 31



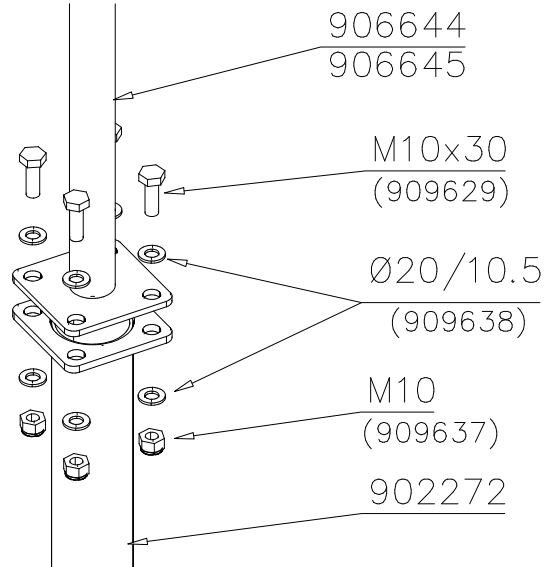
DET 32



DET 33



DET 34



DET 35



DET 36



DET 37



DET 38



DET 39



DET 40



DET 41



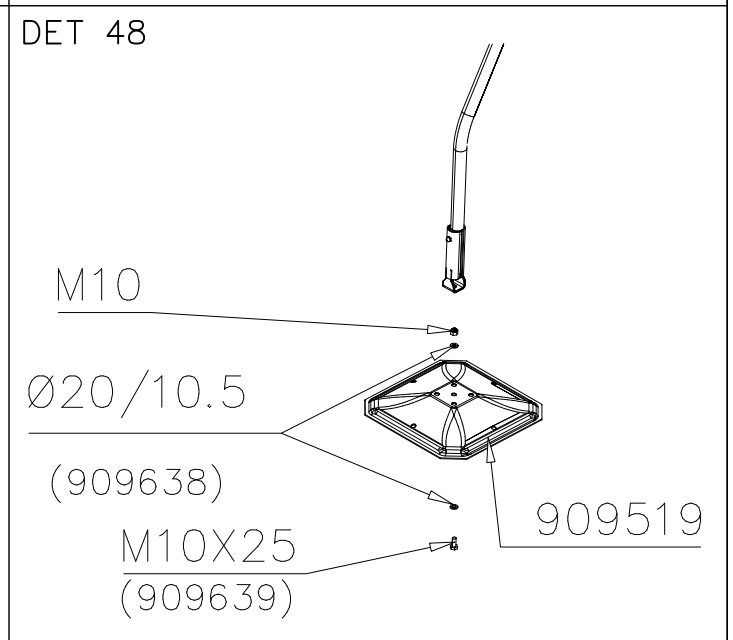
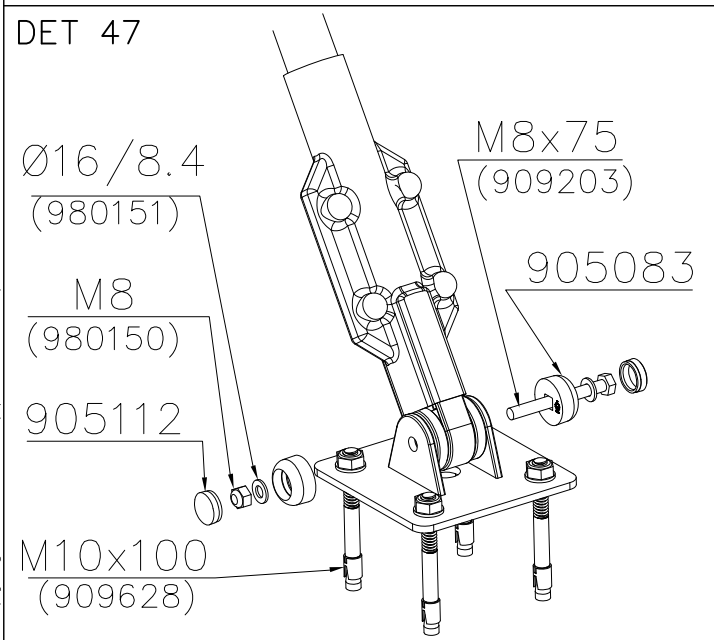
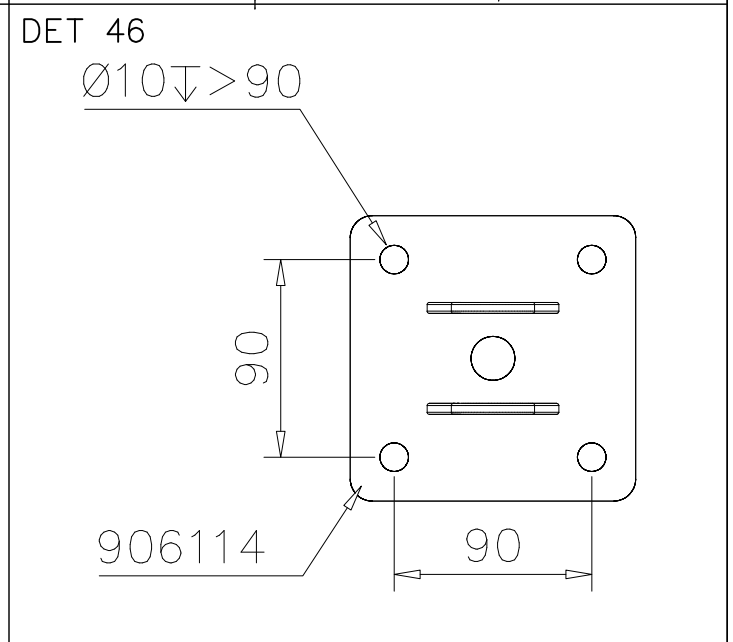
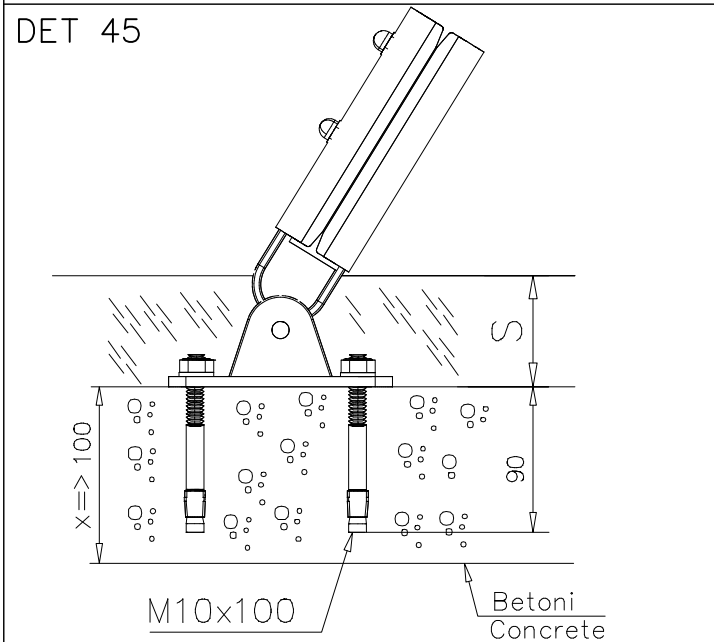
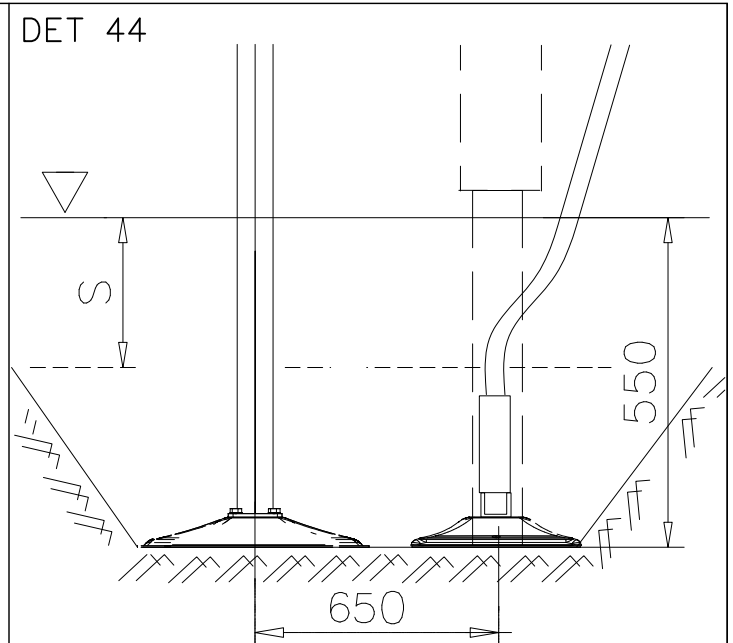
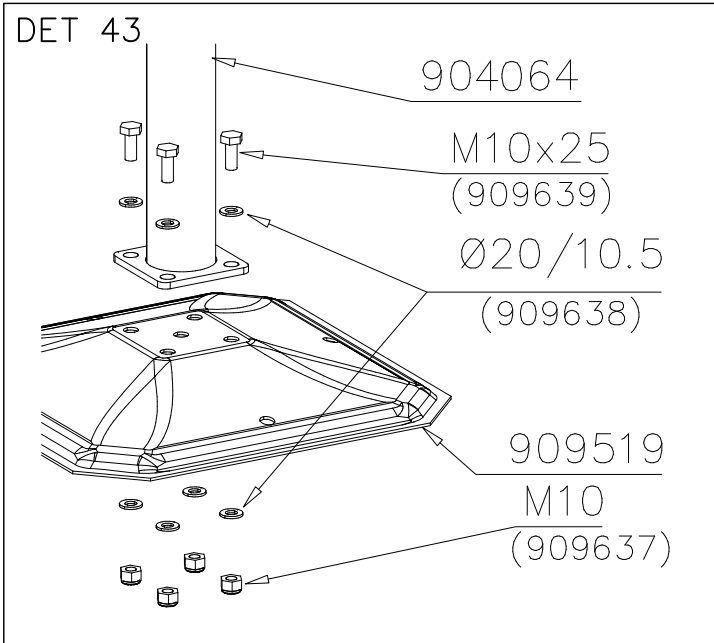
DET 42

# LAPPSET SPORT

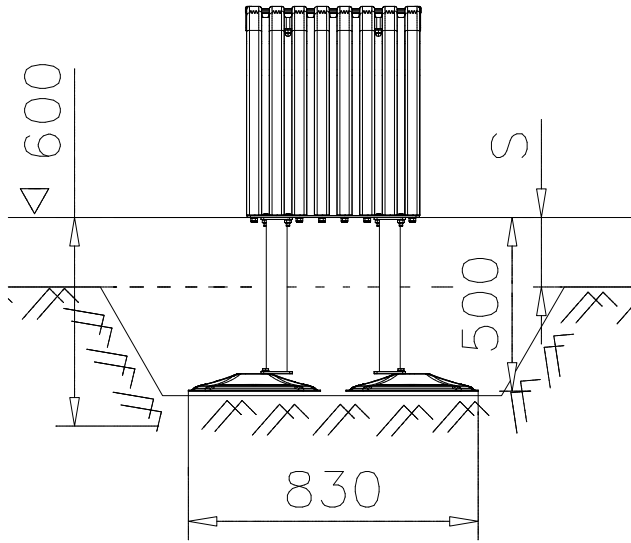
# BASE

DATE: 15.8.2017

8(10)



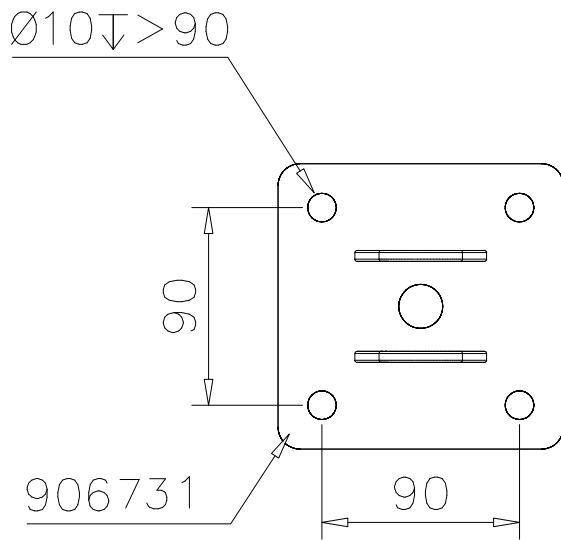
DET 49



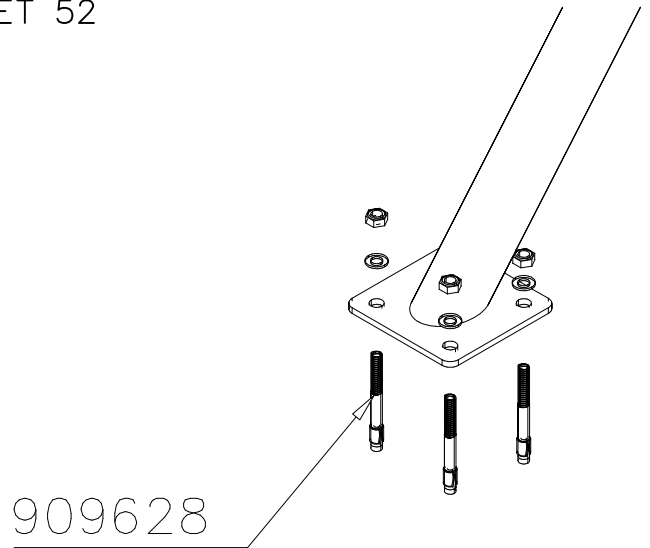
DET 50



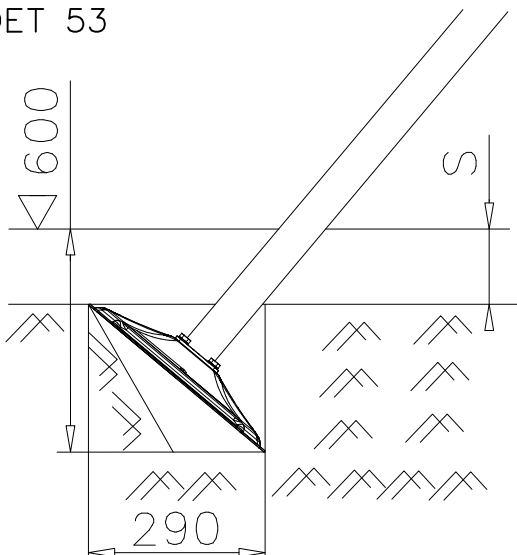
DET 51



DET 52



DET 53

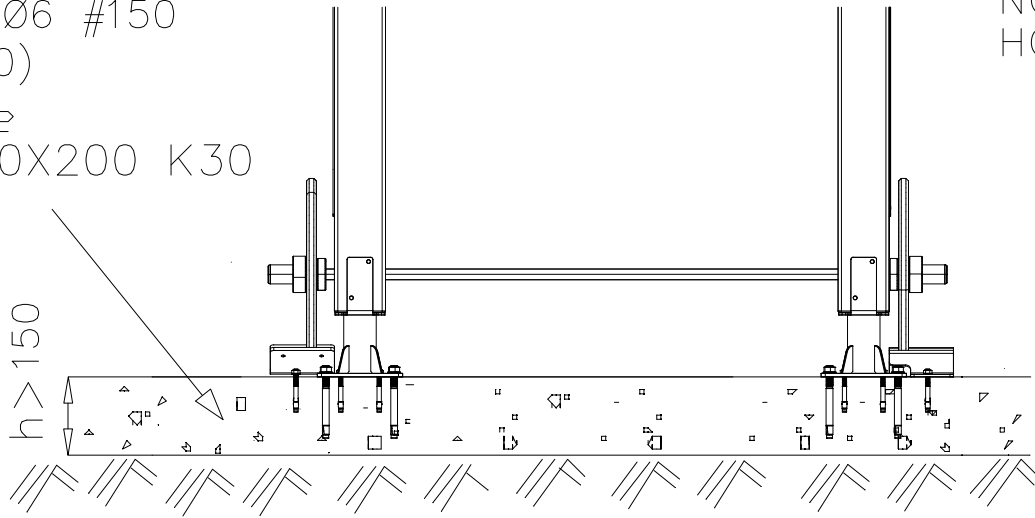


DET 54



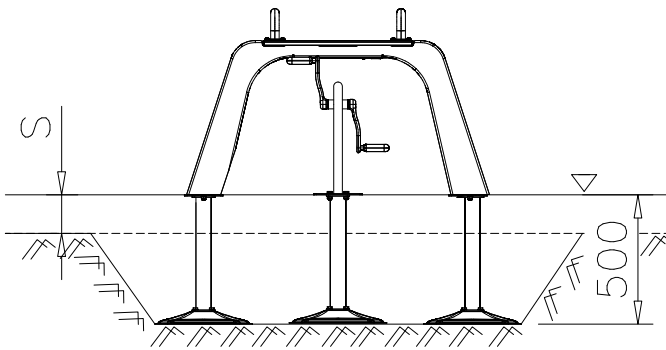
DET 55

STEELNET Ø6 #150  
(1400x2100)  
Concrete  
1500X2200X200 K30

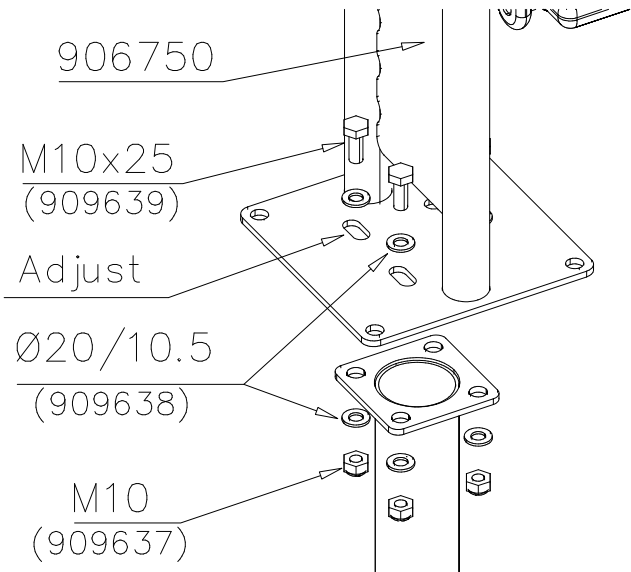


NOTE!  
HOX!

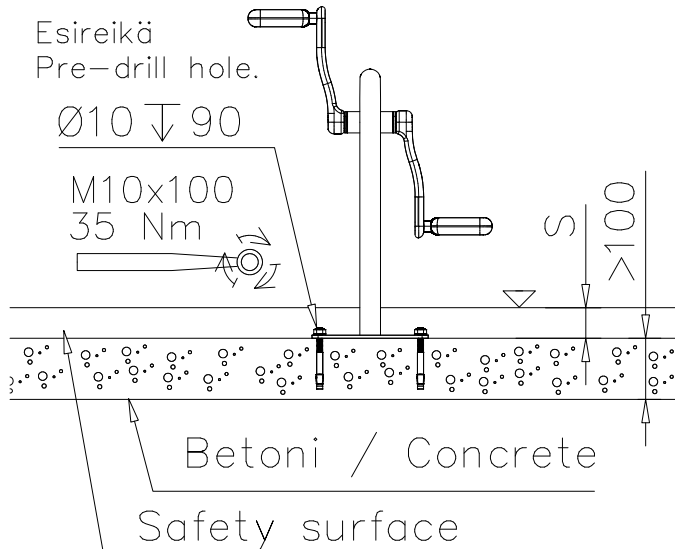
DET 56



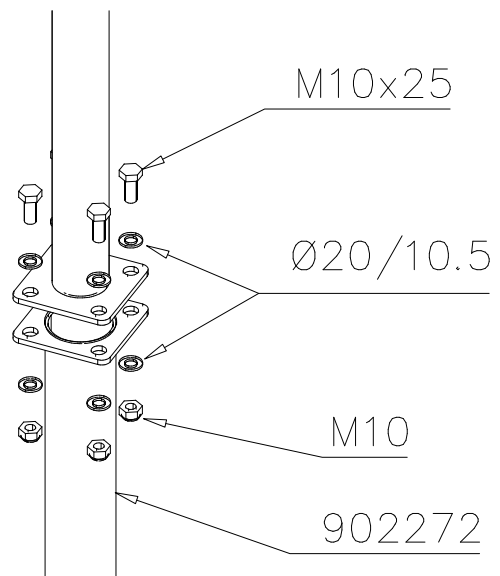
DET 57



DET 58



DET 59



DET 1



DET 2



DET 3



DET 4



DET 5

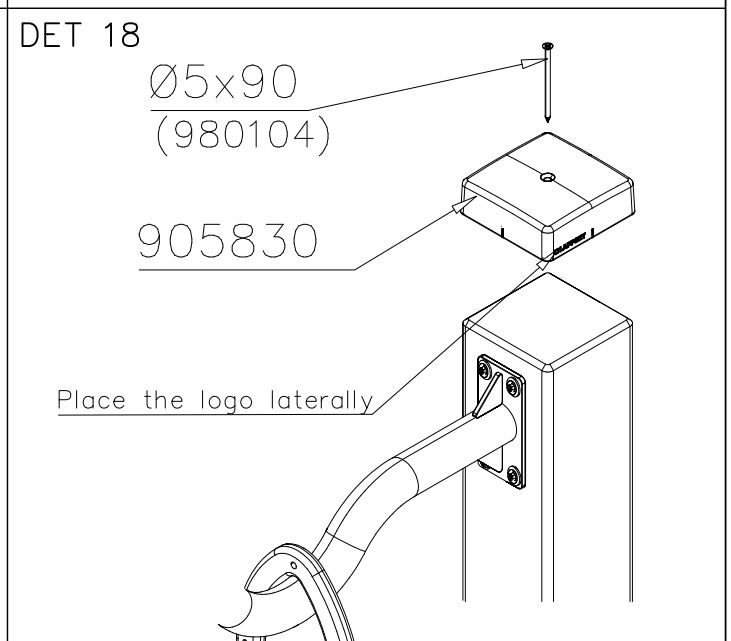
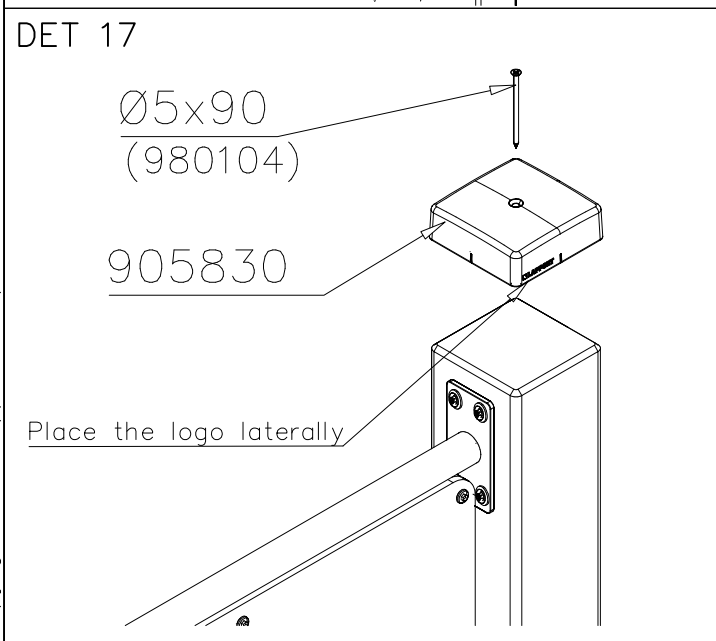
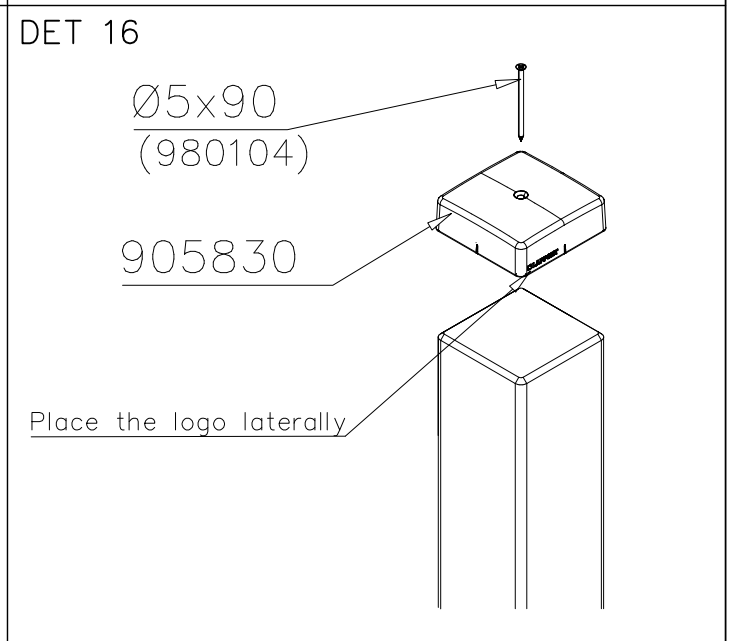
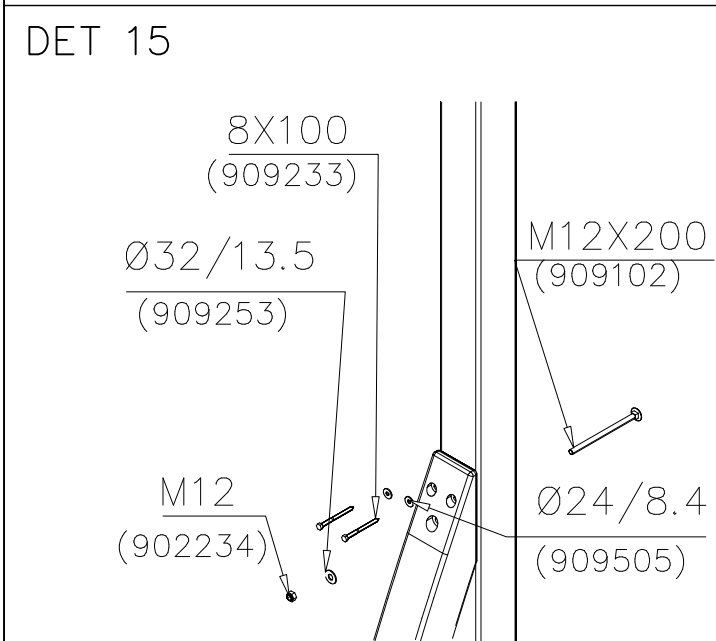
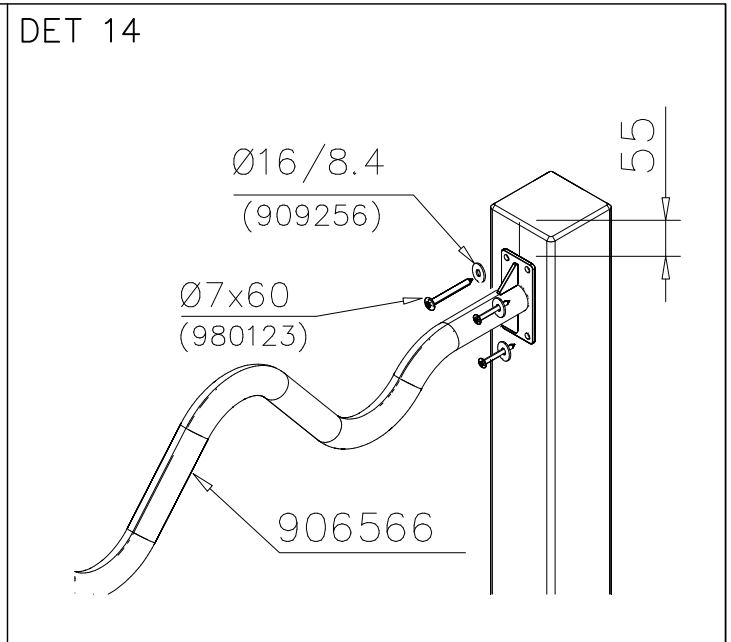
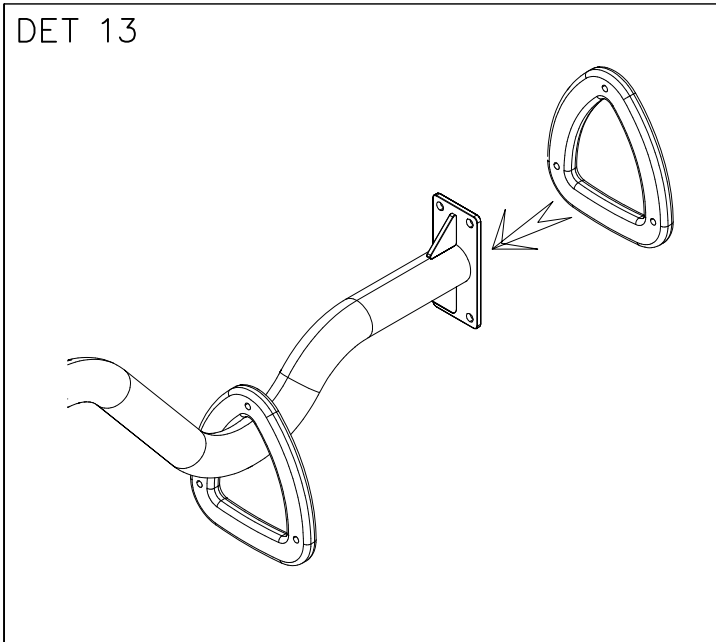


DET 6

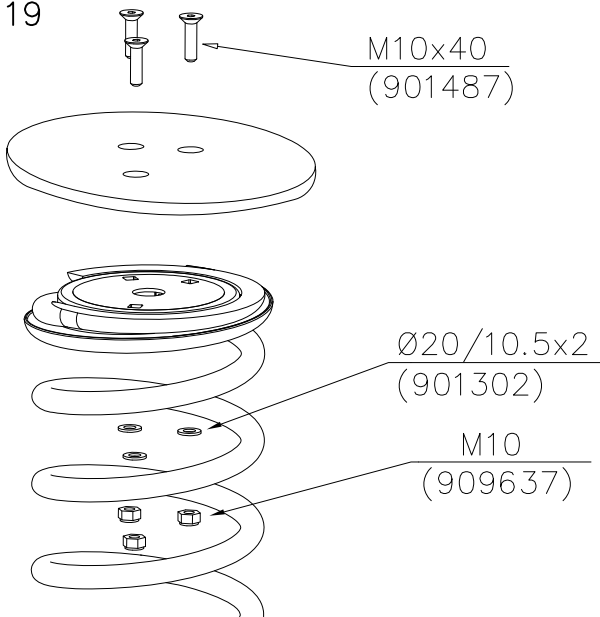




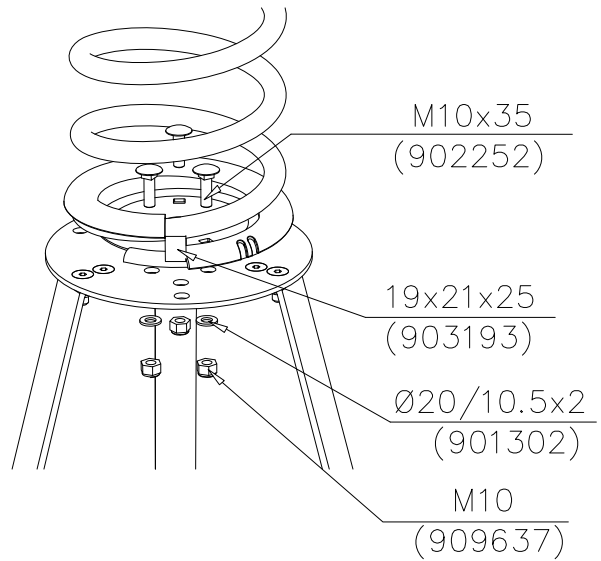




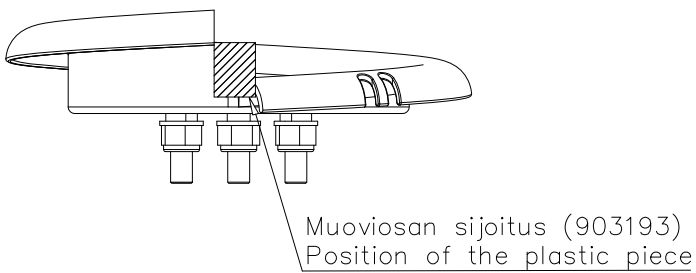
DET 19



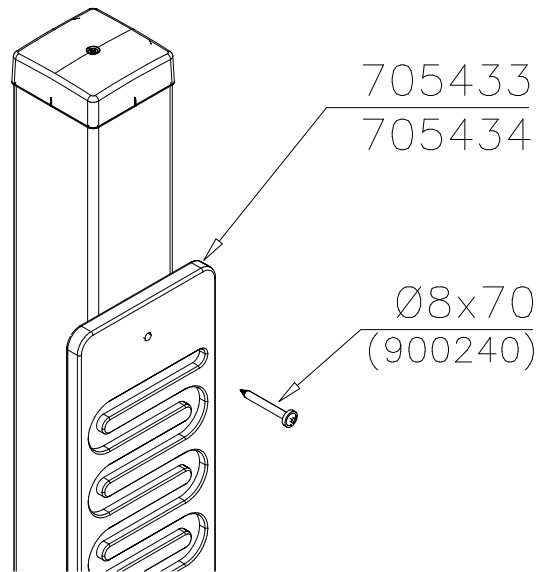
DET 20



DET 21



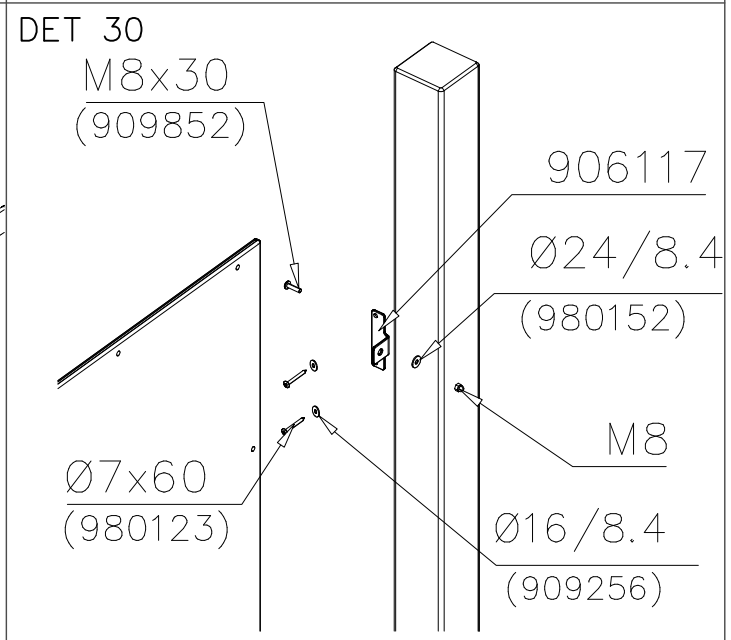
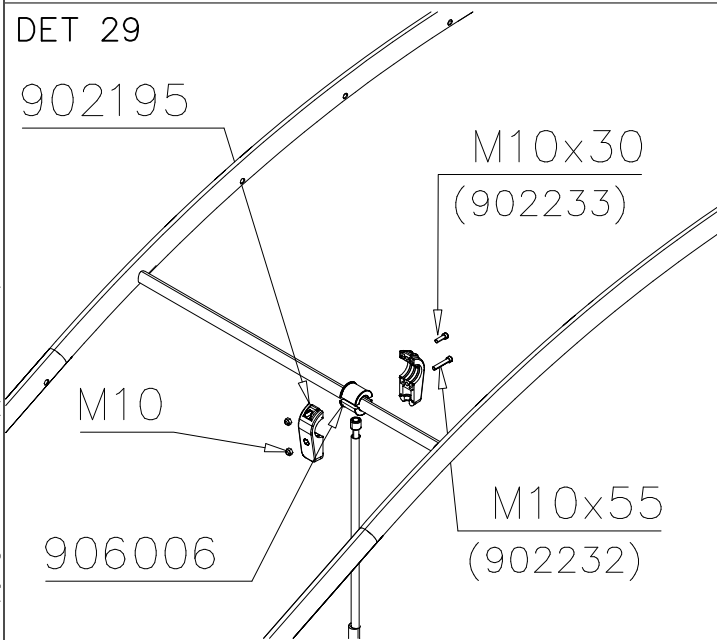
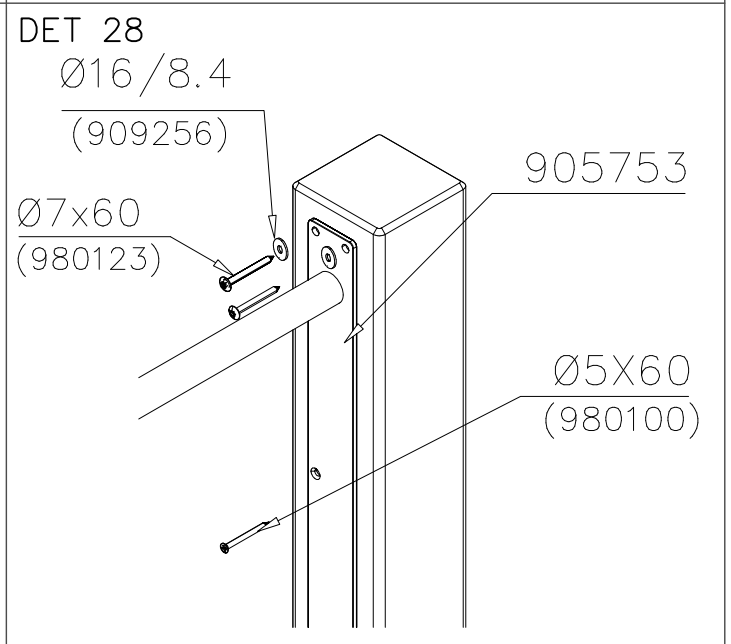
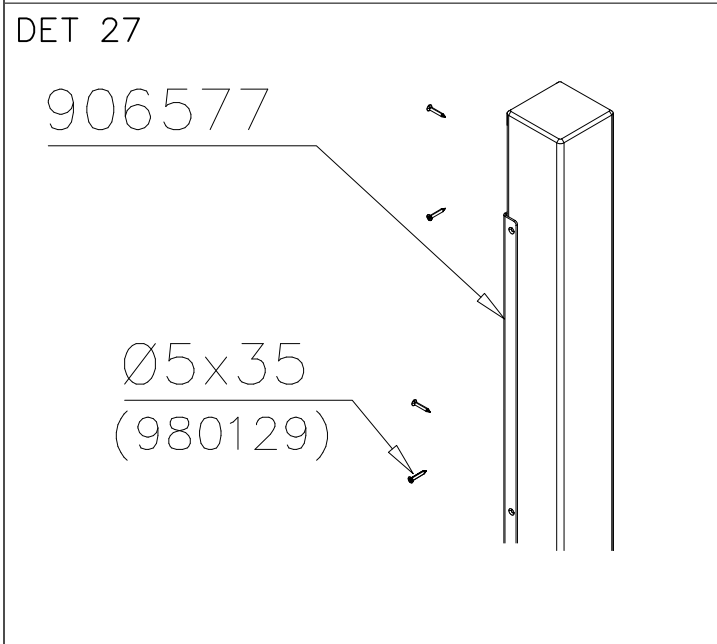
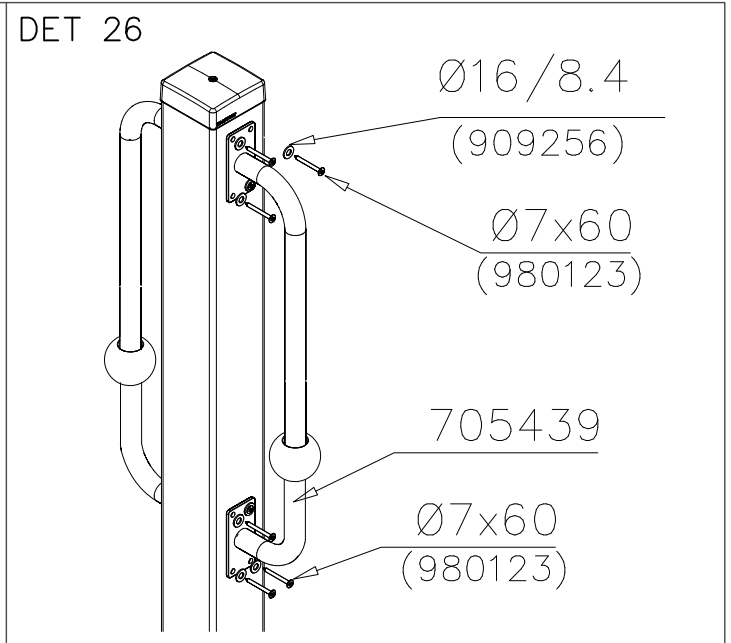
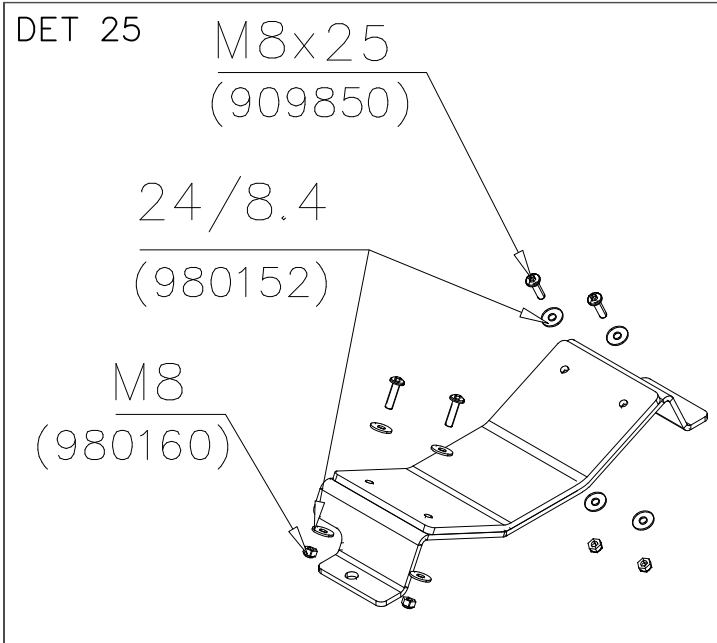
DET 22



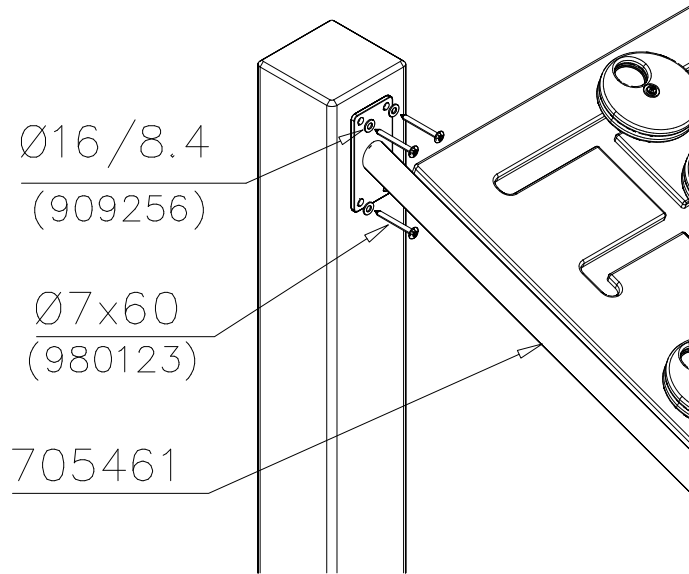
DET 23



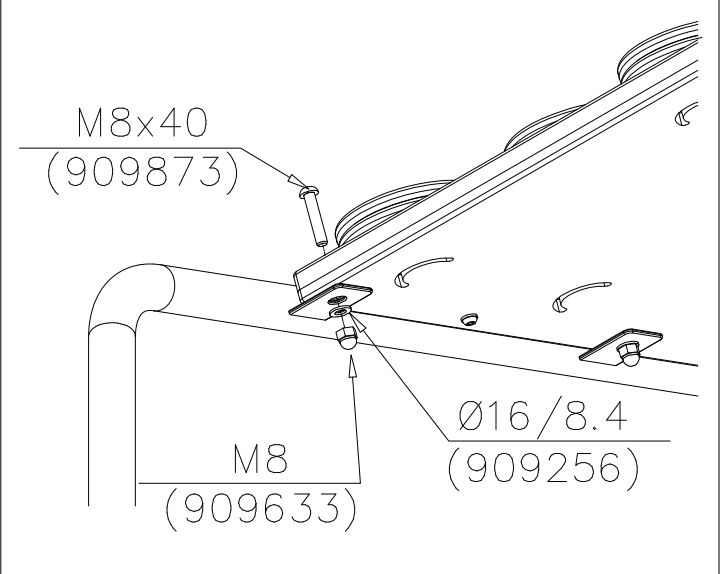
DET 24



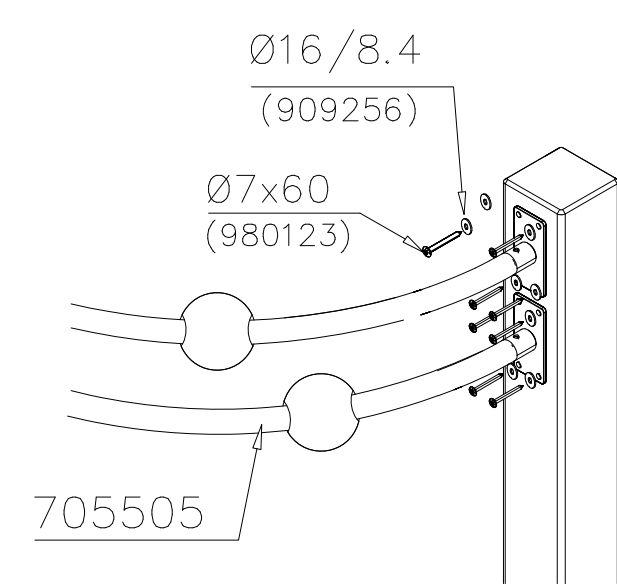
DET 31



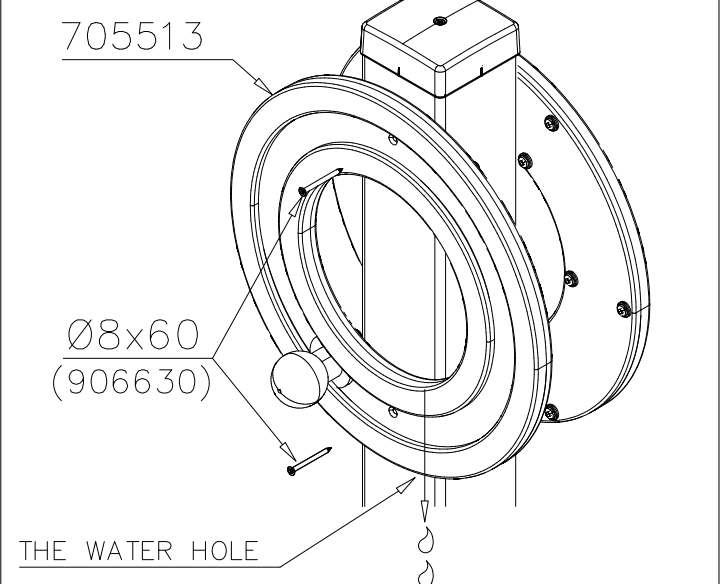
DET 32



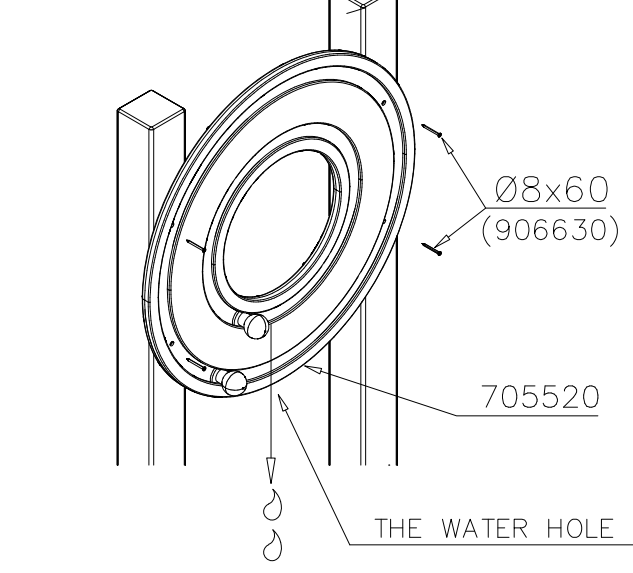
DET 33



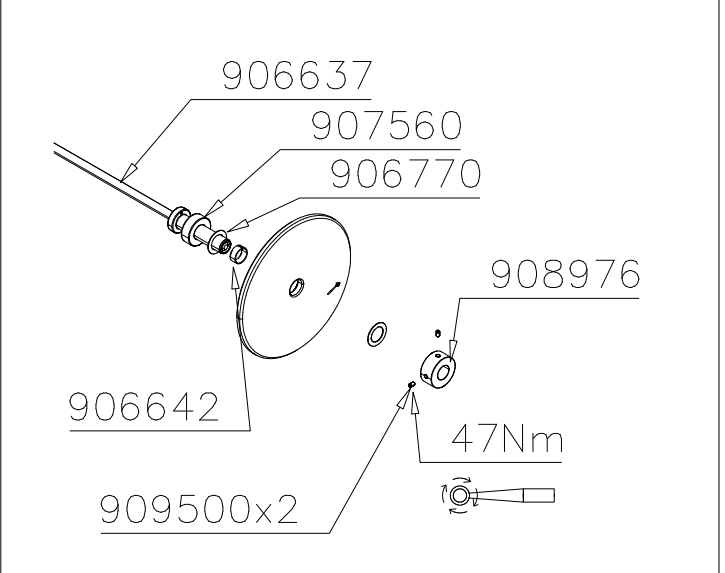
DET 34



DET 35



DET 36



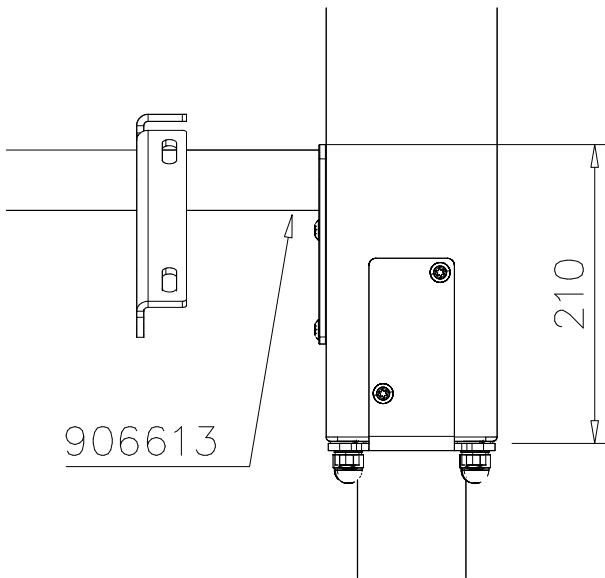
DET 37



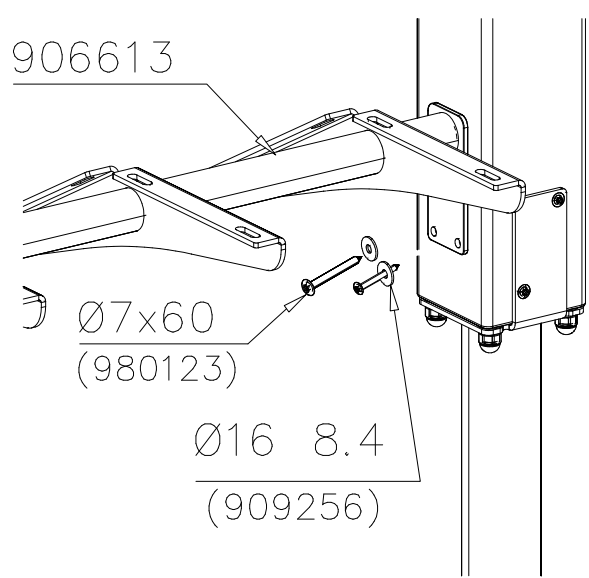
DET 38



DET 39



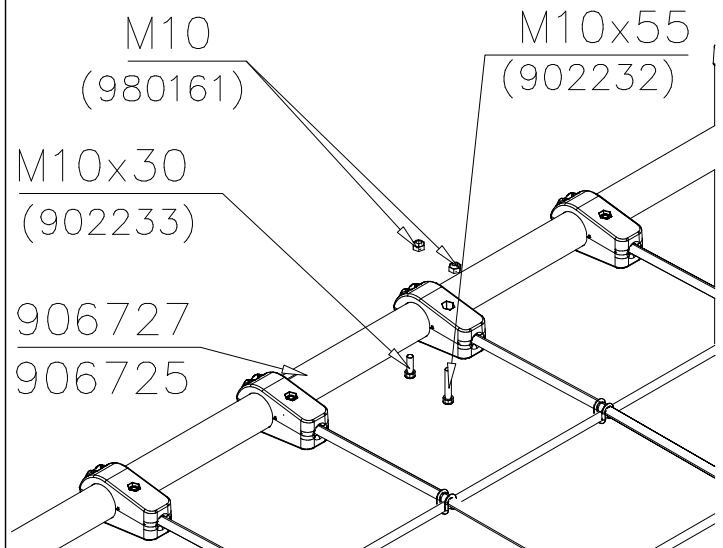
DET 40

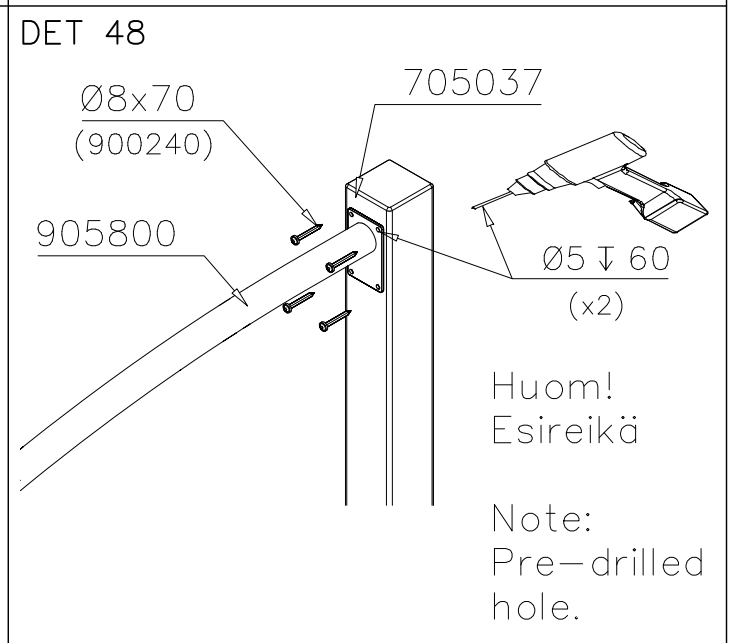
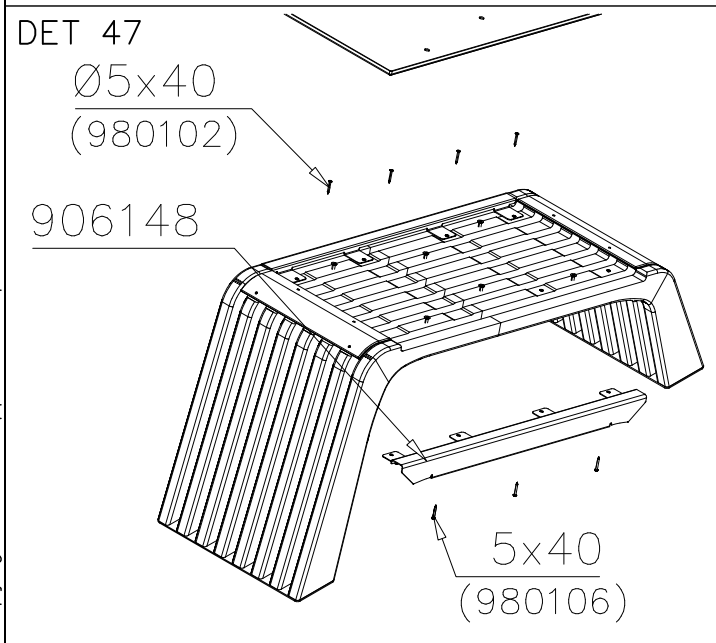


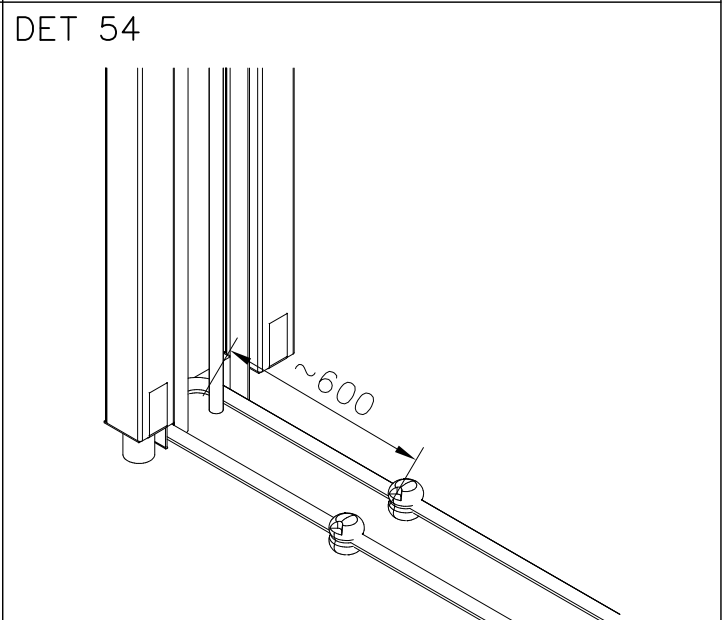
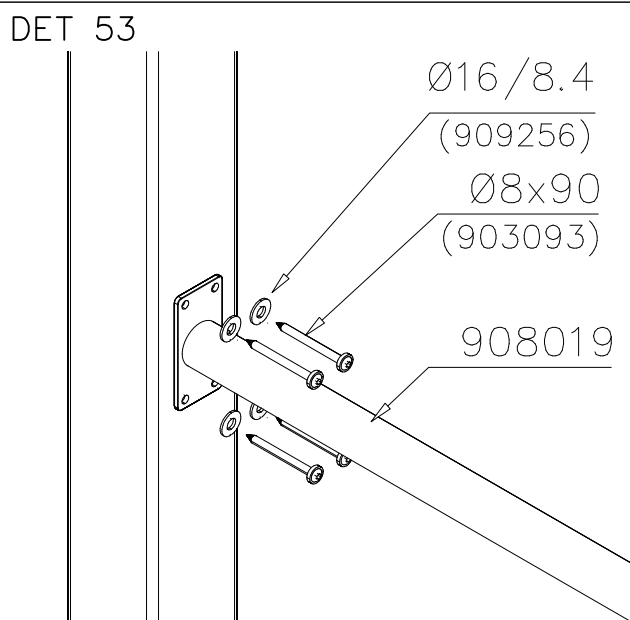
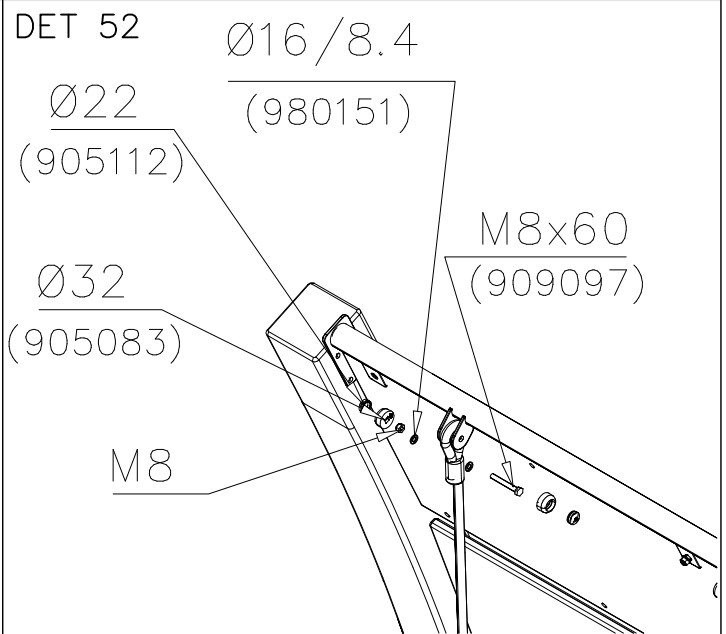
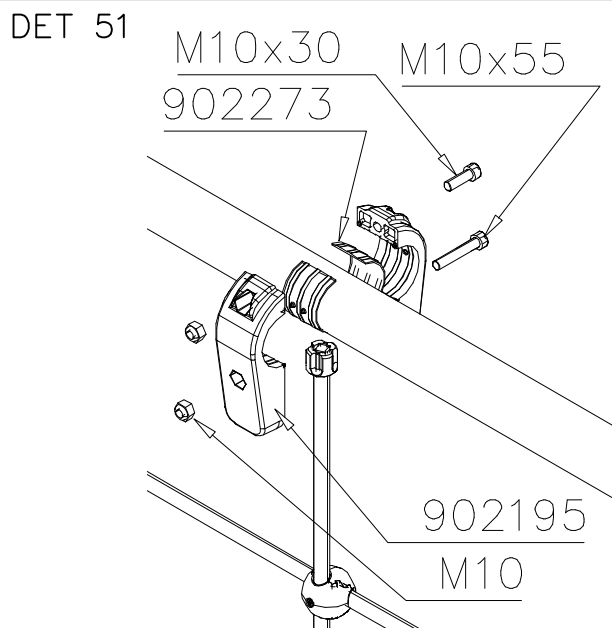
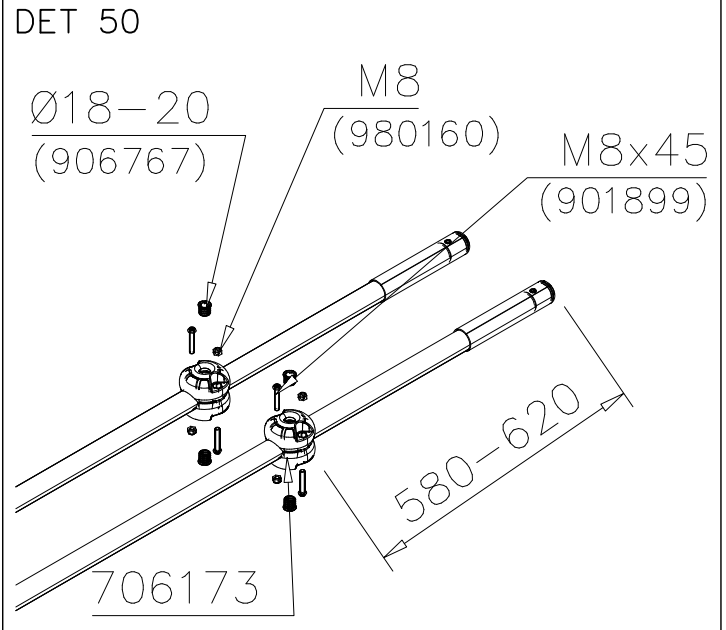
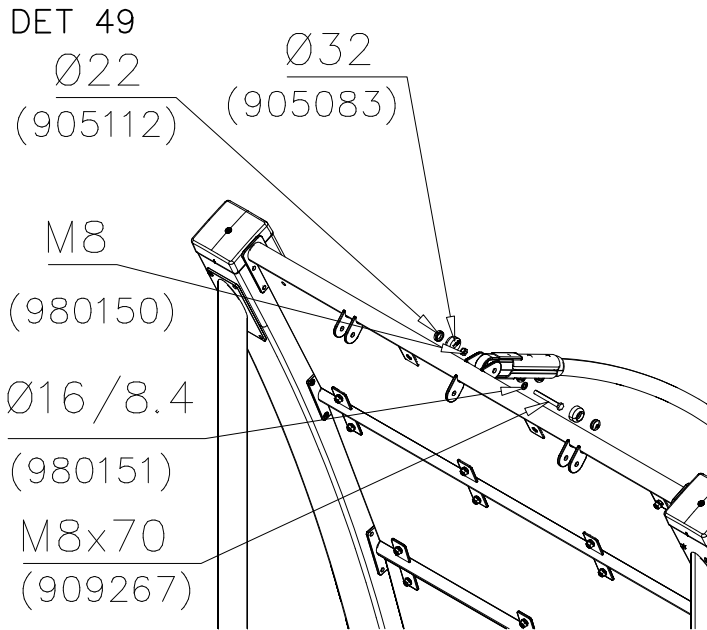
DET 41



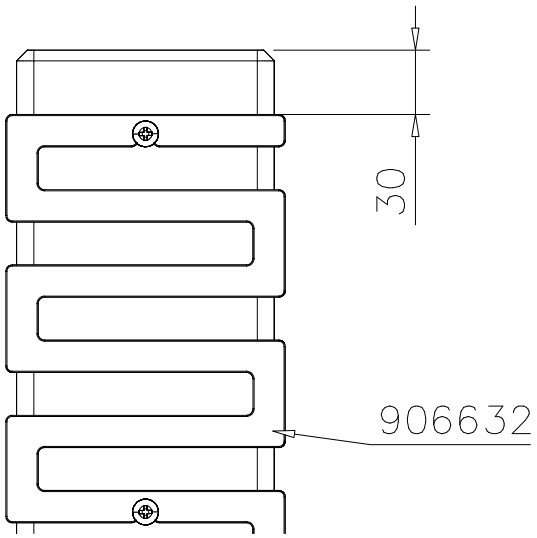
DET 42



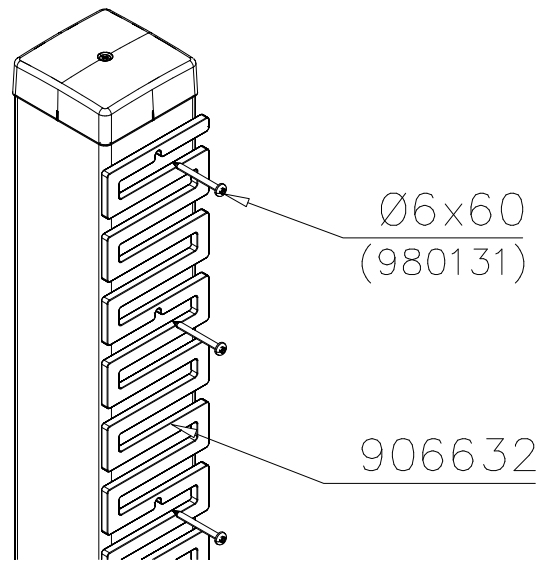




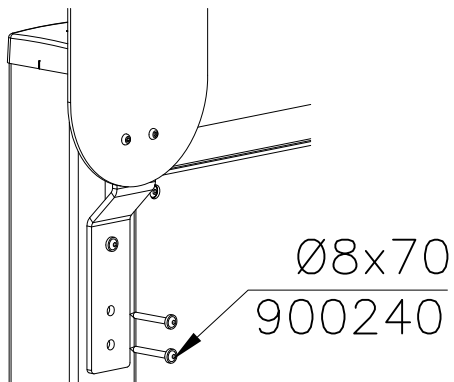
DET 55



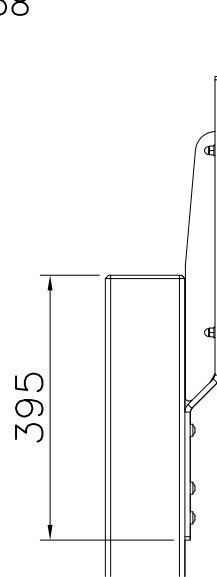
DET 56



DET 57



DET 58

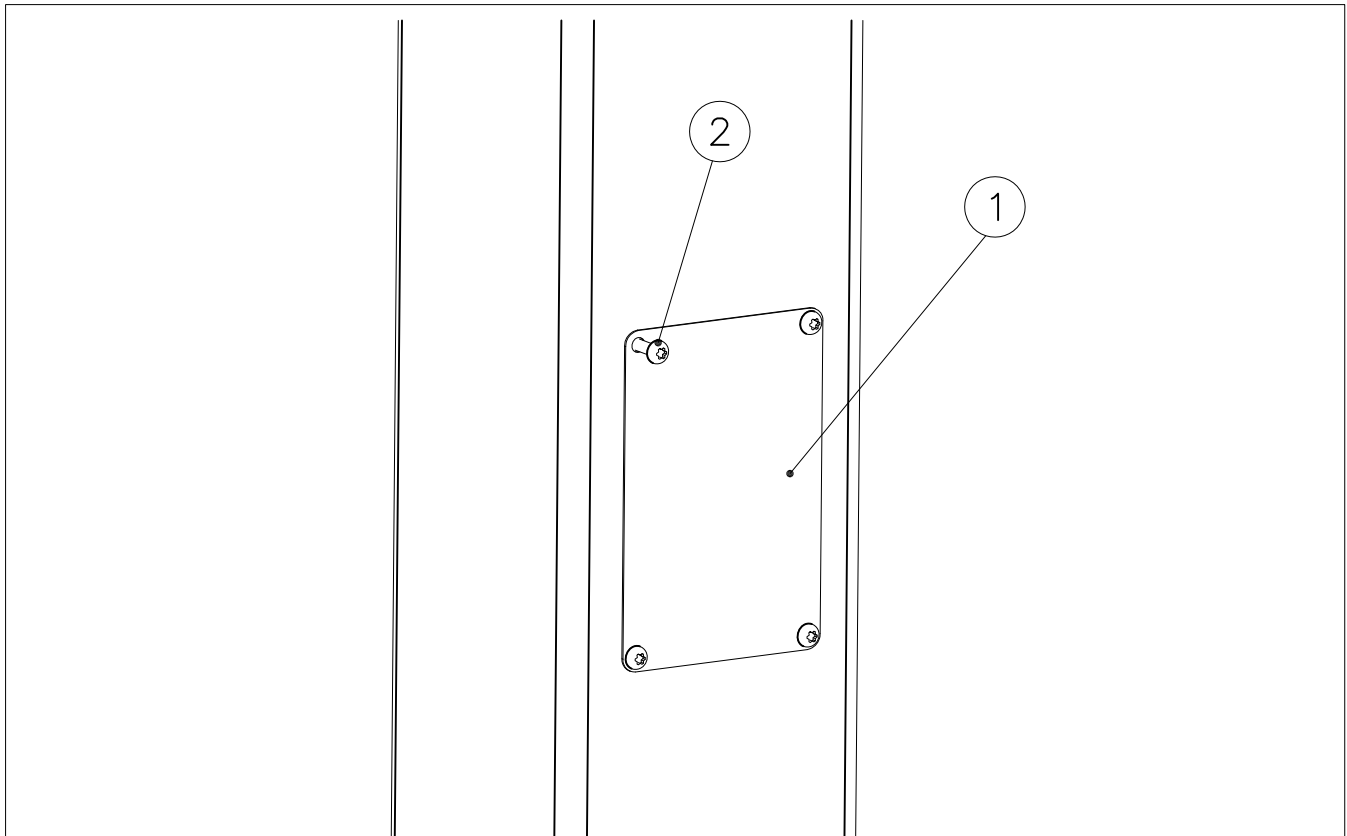


DET 59

DET 60



① SHEET METAL	PCS	② 980114	PCS
	1		4
118x78x0.7		Ø4x20	



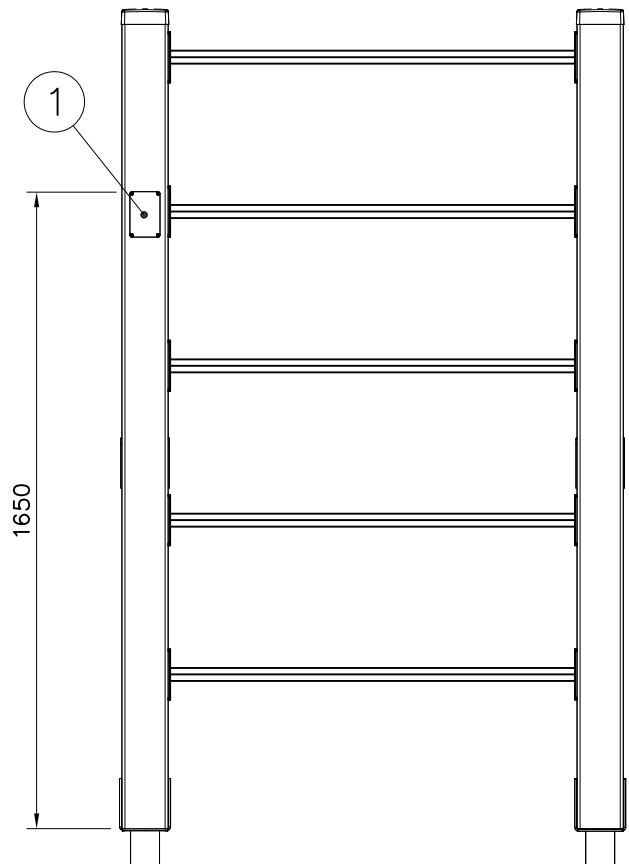
Example installation !  
Esimerkki asennus !

Example installation !  
Esimerkki asennus !

Example installation !  
Esimerkki asennus !



Example installation !  
Esimerkki asennus !



Example installation !  
Esimerkki asennus !