

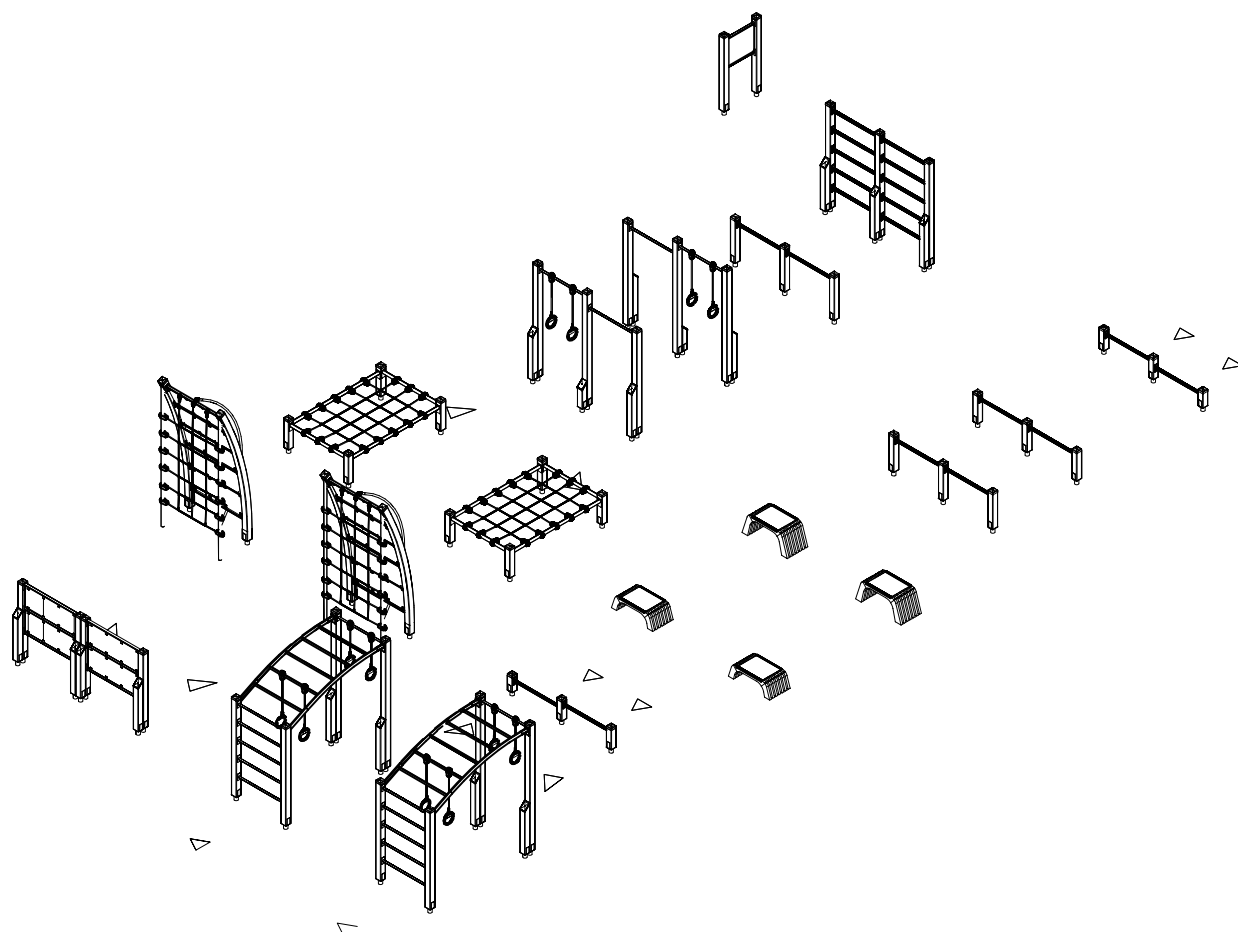
# **LAPPSET®**

## **SPORT**

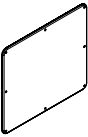
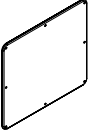




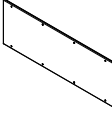
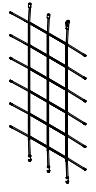



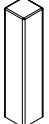

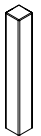
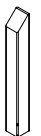

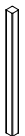
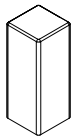
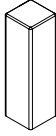


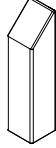
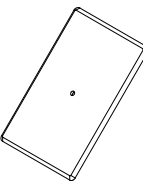
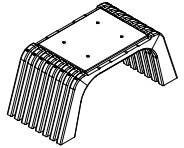
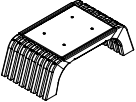


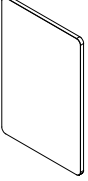
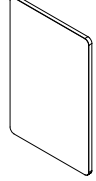
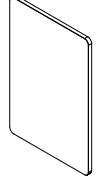

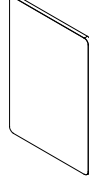


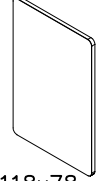
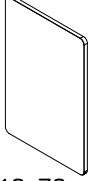
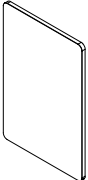
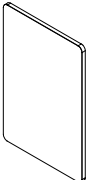
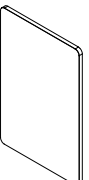
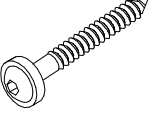
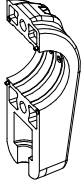
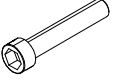
ASENNUSOHJE  
MONTERINGSANSVISNING  
INSTALLATION INSTRUCTION  
AUFBAUANLEITUNG  
NOTICE D'INSTALLATION

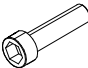
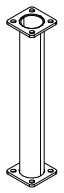
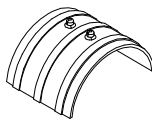
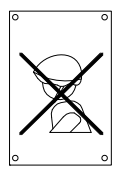

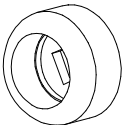
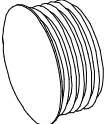
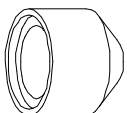
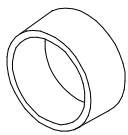

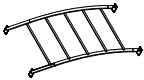
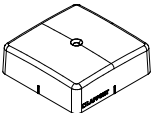

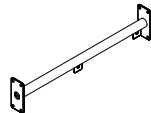
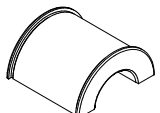
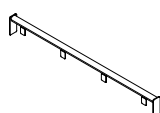
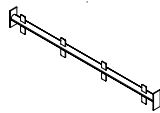
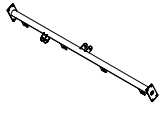
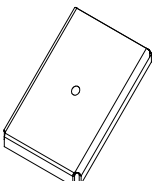
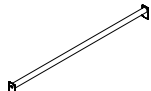
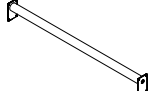




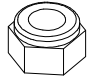
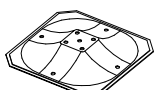
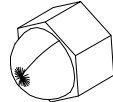
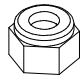
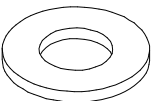
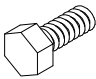

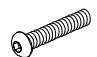
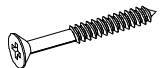
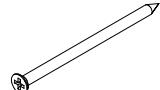

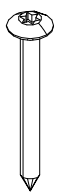
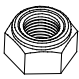
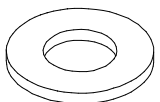
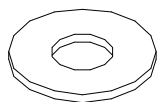

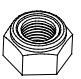
DATE: 4.9.2015

### **081310M**

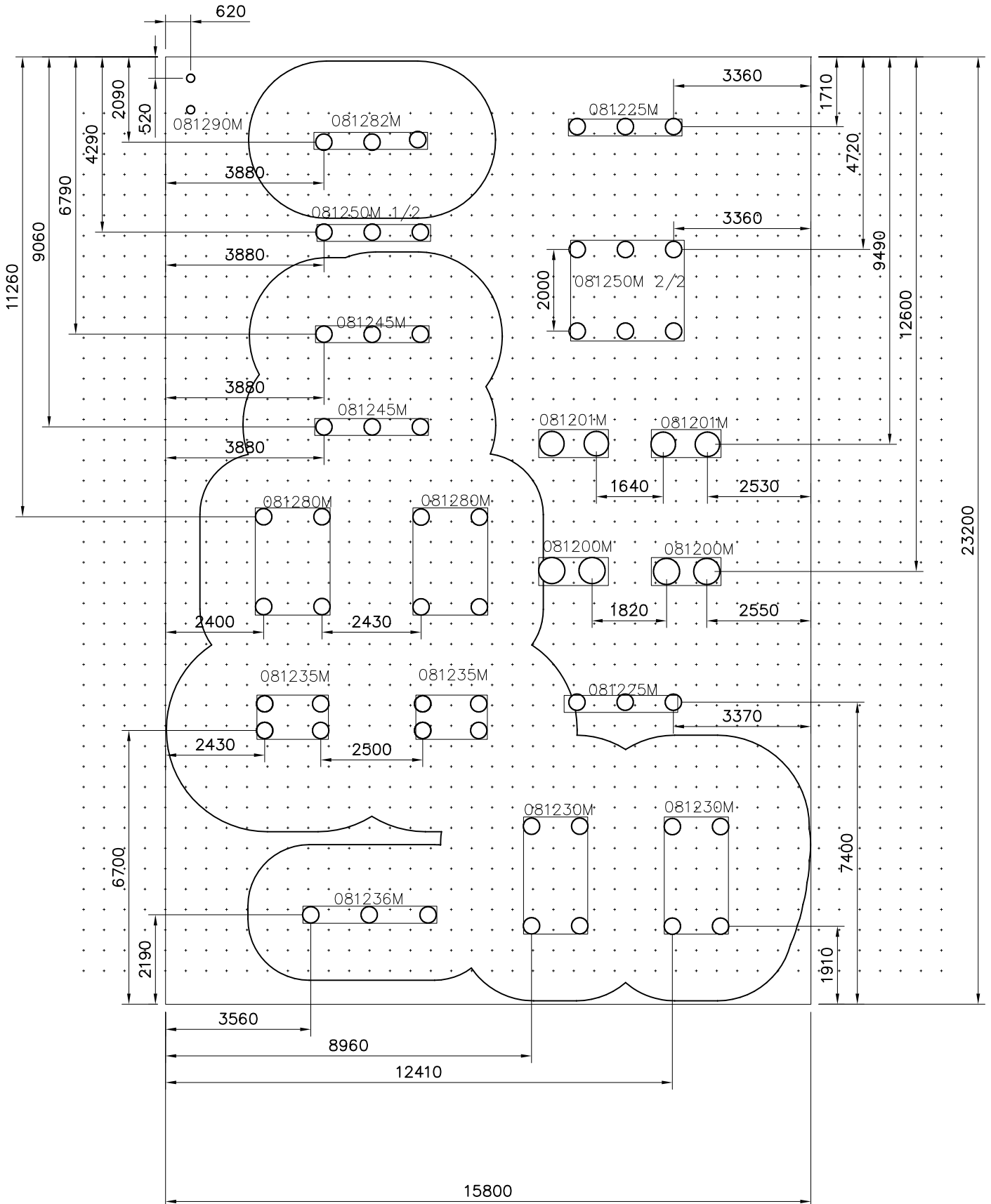
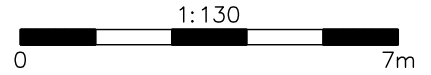


DATE: 16.2.2018

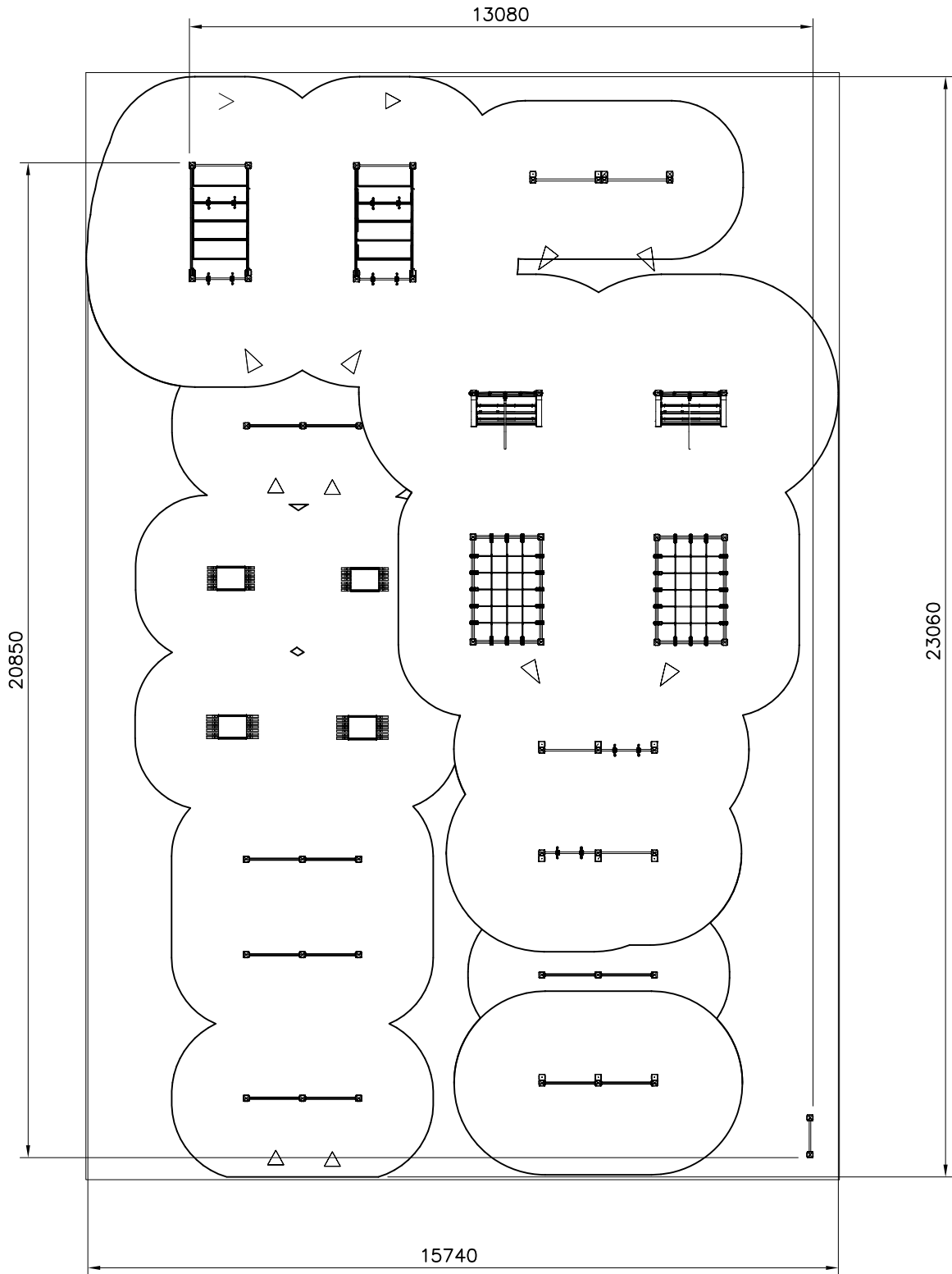
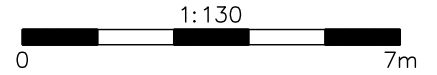
707018 Acryl + sticker  8x640x560	PCS 1	705024  15x640x560	PCS 1	705027  120x120x1520	PCS 4	705037  120x120x2590	PCS 4	705039  Ø16x974	PCS 8	705040  Ø16x764	PCS 4
705041  19x451x1240 BLUE	PCS 14	705044  WALL CLIMBER	PCS 2	705050  120x120	PCS 4	705059  WALL CLIMBER DEEP	PCS 2	705231  120x120x2290	PCS 2	705328  120x120x570	PCS 11
705329  120x120x720	PCS 3	705330  120x120x870	PCS 4	705335  120x120x1000	PCS 16	705345  120x120x1520	PCS 2	705347  120x120x1990	PCS 4	705348  120x120x300	PCS 2
705349  120x120x400	PCS 4	705388  120x120x2090	PCS 6	705402  120x120x2290	PCS 2	705405  120x120x500	PCS 2	705406  126x181x15	PCS 2	705411  M ACTIVE	PCS 2
705428  S ACTIVE	PCS 2	705537  WALL CLIMBER	PCS 2	706017  118x78	PCS 2	706018  118x78	PCS 2	706025  118x78	PCS 2	706026  118x78	PCS 2
706027  118x78	PCS 2	706028  118x78	PCS 2	706030  118x78	PCS 2	706031  118x78	PCS 2	706036  118x78	PCS 2	706037  118x78	PCS 2
706060  118x78	PCS 2	706087  118x78	PCS 2	706088  118x78	PCS 2	900240  Ø8x70	PCS 32	902195  150x50x50	PCS 36	902232  M10x55	PCS 68

902233  M10x30 PCS 68	902272  90x90x450 PCS 16	902273  PCS 112	702339  118x78 PCS 6	904064  Ø60x3416 PCS 4	905083  Ø32 PCS 16
905103  PT-28/32-H PCS 47	905104  M10 PCS 268	905112  Ø22 PCS 16	905761  120x120x700 PCS 72	905800  2260x600x1270 PCS 2	905830  123x123x40 PCS 50
905838  L=1060 PCS 36	905936  L=652 PCS 2	906006  Ø64/36,4x59 PCS 24	906009  Ø42,4x1252 PCS 6	906021  Ø42,4x1252 PCS 10	906071  Ø42,4x1252 PCS 2
906583  126x181x14x3 PCS 15	906725  Ø60x2080 PCS 4	906727  Ø60x1307 PCS 4	909097  M8x60 PCS 6	909246  M12x140 PCS 47	909256  Ø16/8.4x1.6 PCS 904
909267  M8x70 PCS 2	980161  M10 PCS 136	909519  50x380x380 PCS 22	909633  M8 PCS 40	909637  M10 PCS 50	909638  Ø20/10.5 PCS 100
909639  M10x25 PCS 50	909852  M8x30 PCS 114	909855  M8x35 PCS 6	980100  Ø5x60 PCS 17	980104  Ø5x90 PCS 50	980114  Ø4x20 PCS 128
980123  Ø7x60 PCS 772	980150  M8 PCS 8	980151  Ø16/8.4 PCS 16	980152  Ø24/8.4x2 PCS 32	980154  Ø24/13 PCS 47	980160  M8 PCS 80

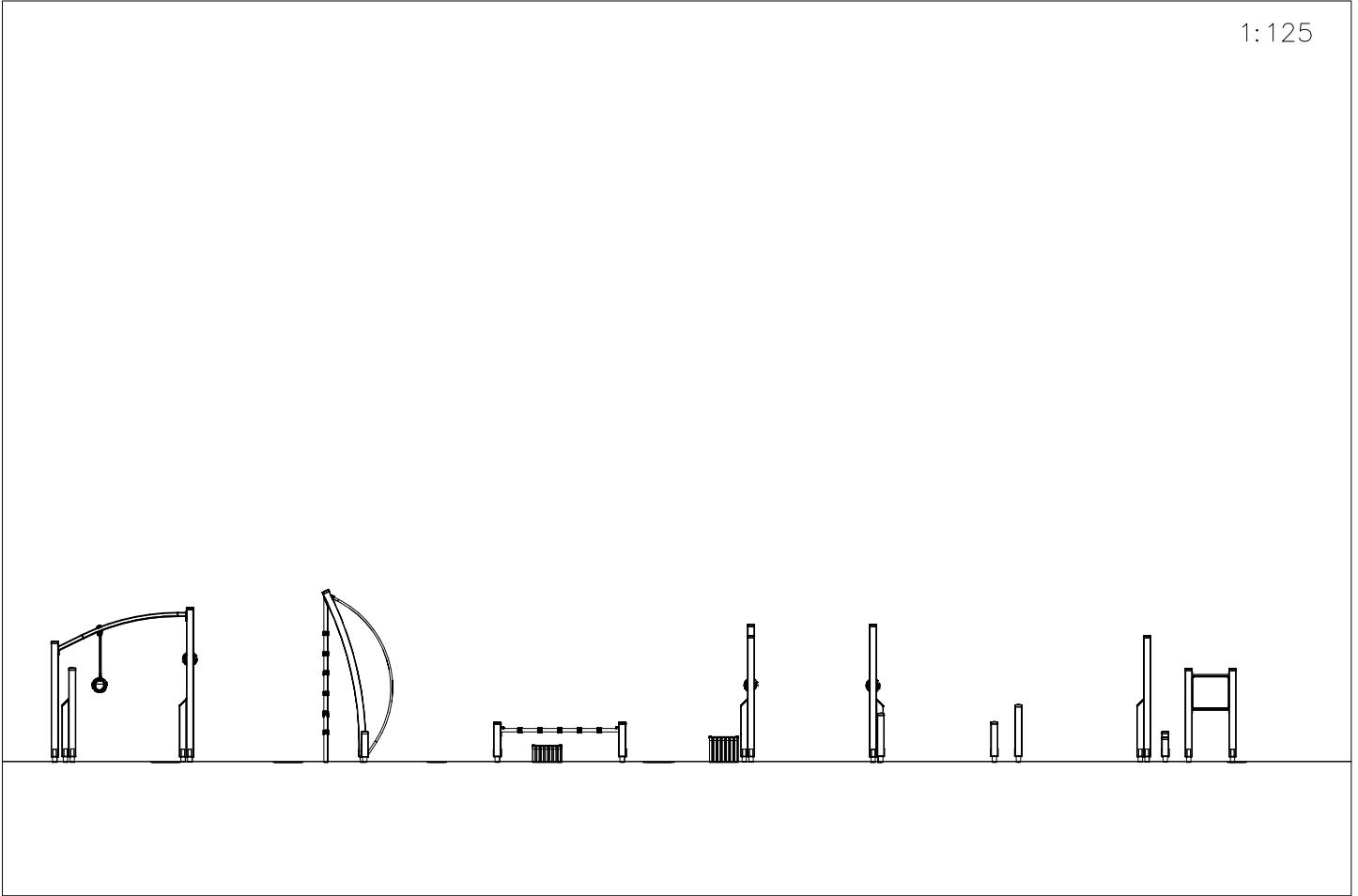
Impact Area 190.9 m<sup>2</sup>  
Grid size = 500 mm



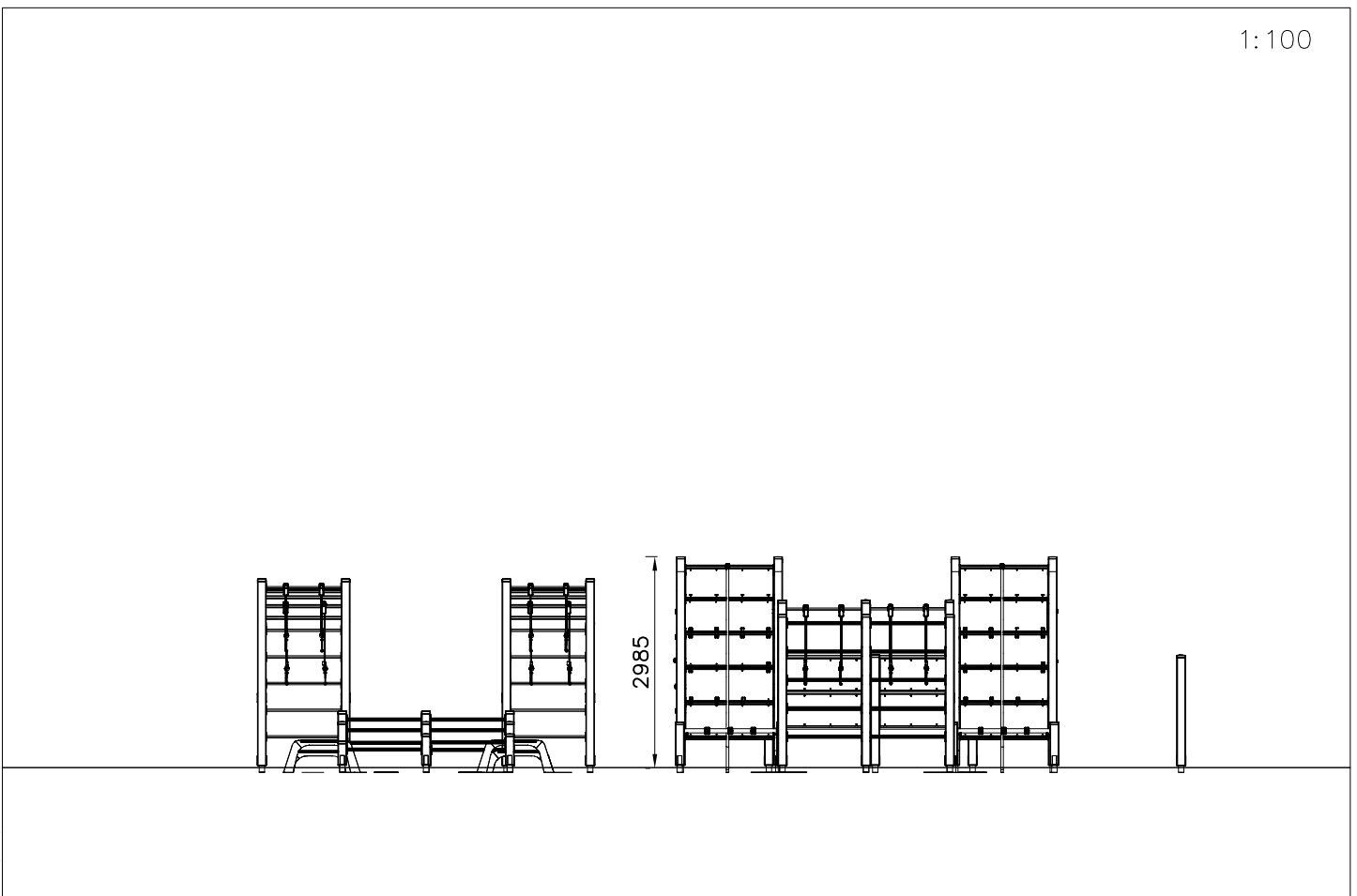
— Area of Movement 283.3 m<sup>2</sup>  
— Impact Area 190.9 m<sup>2</sup>  
Max Falling Height = 2960 mm

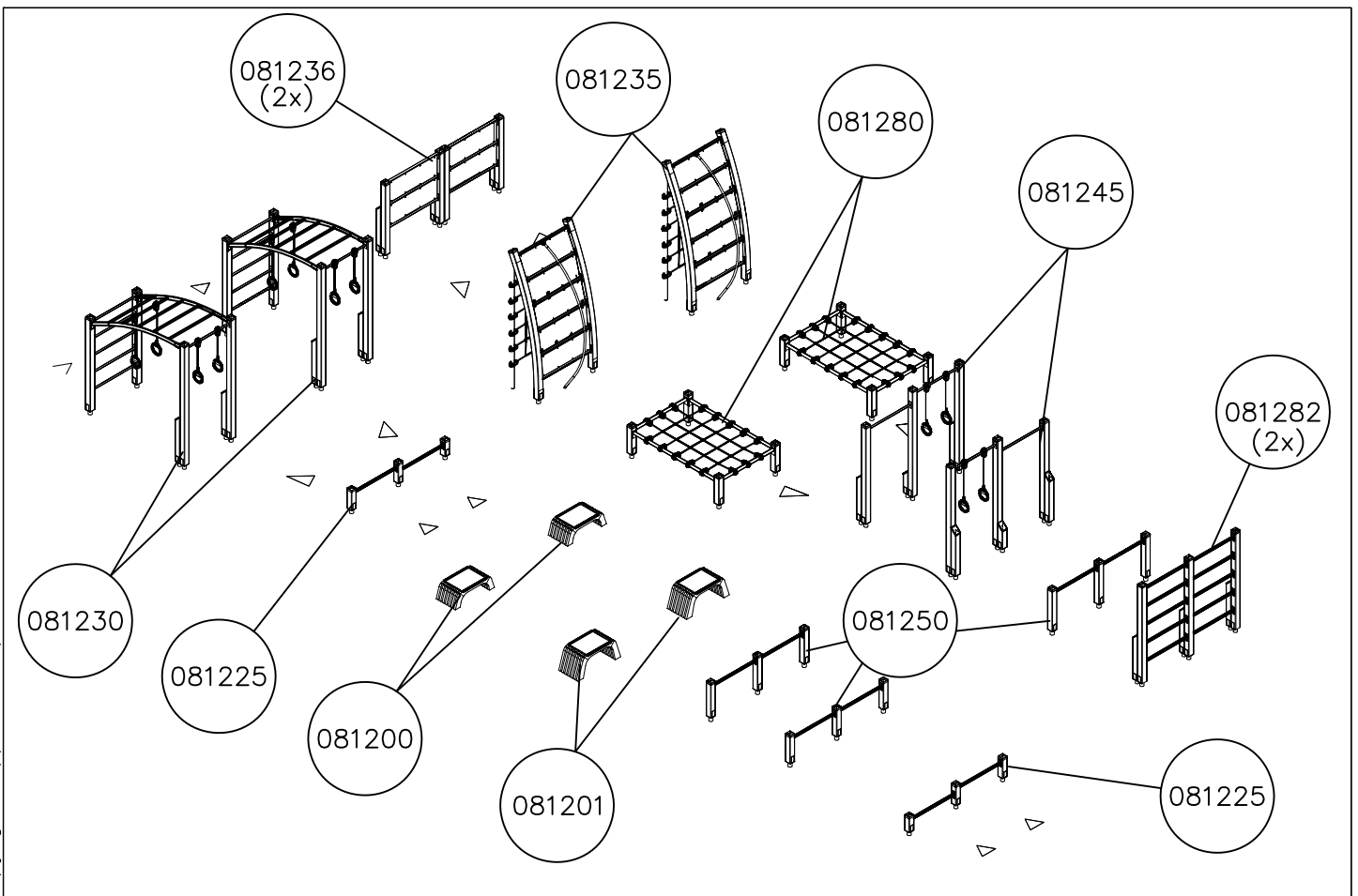
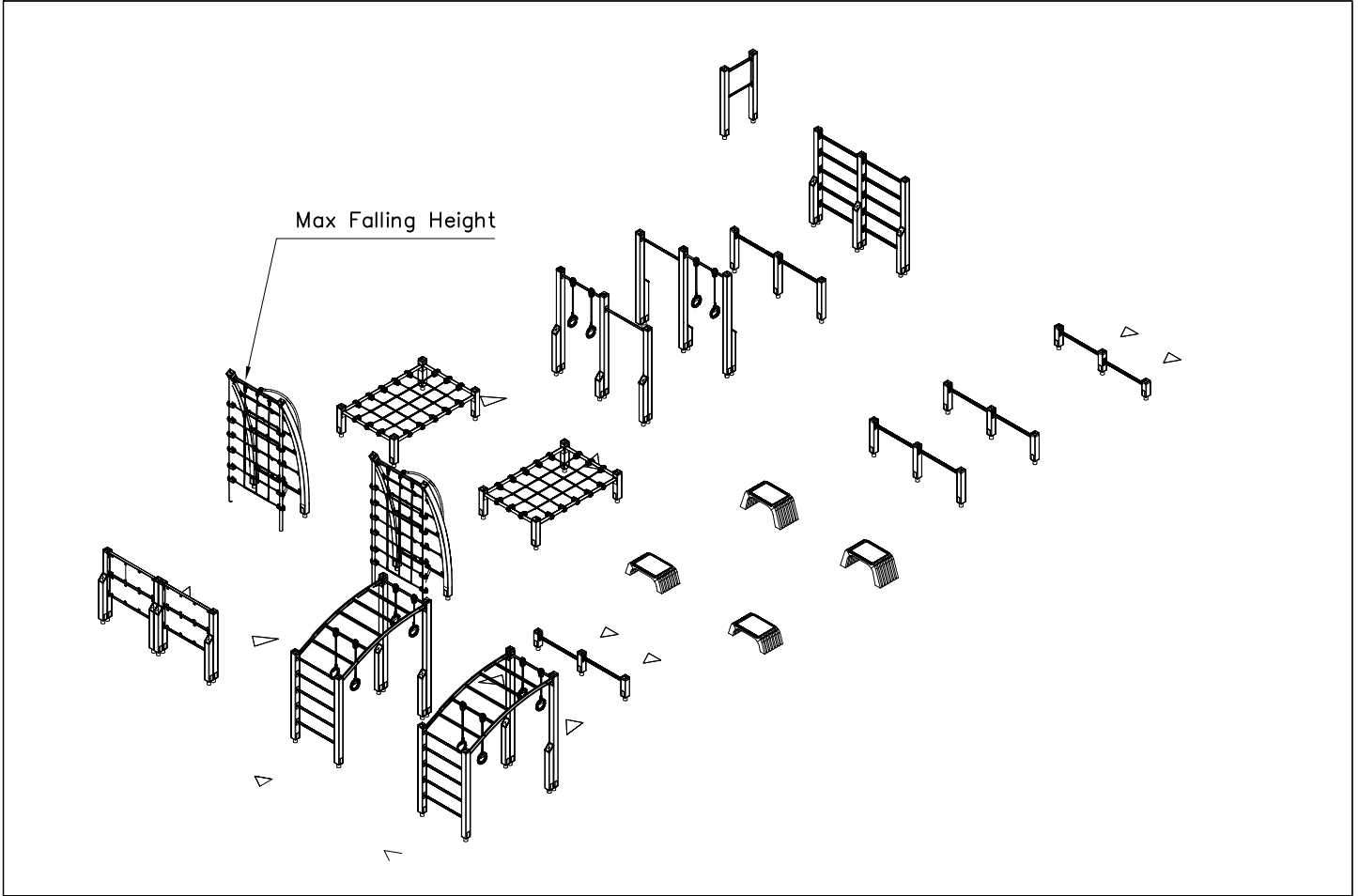


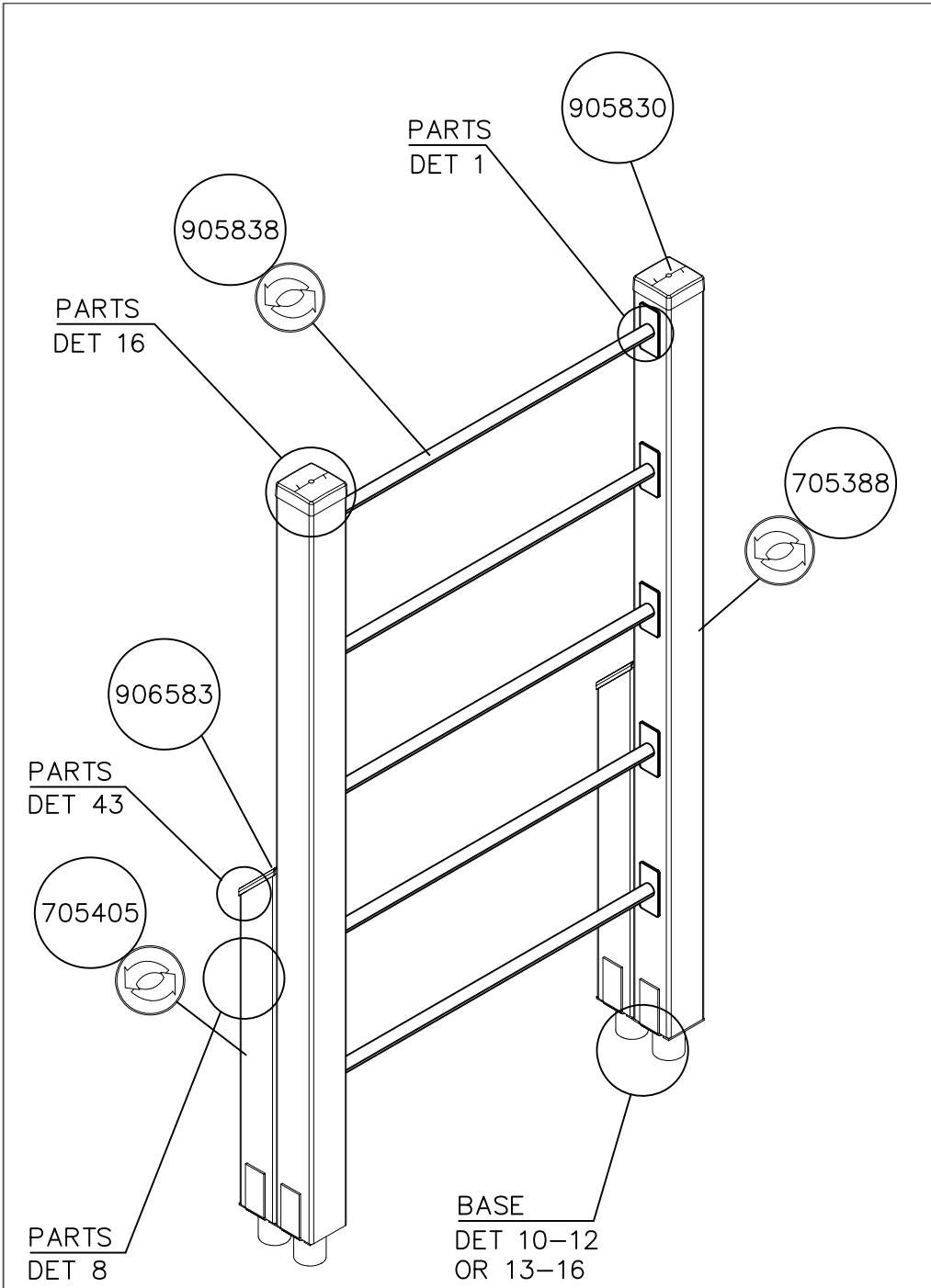
1:125



1:100

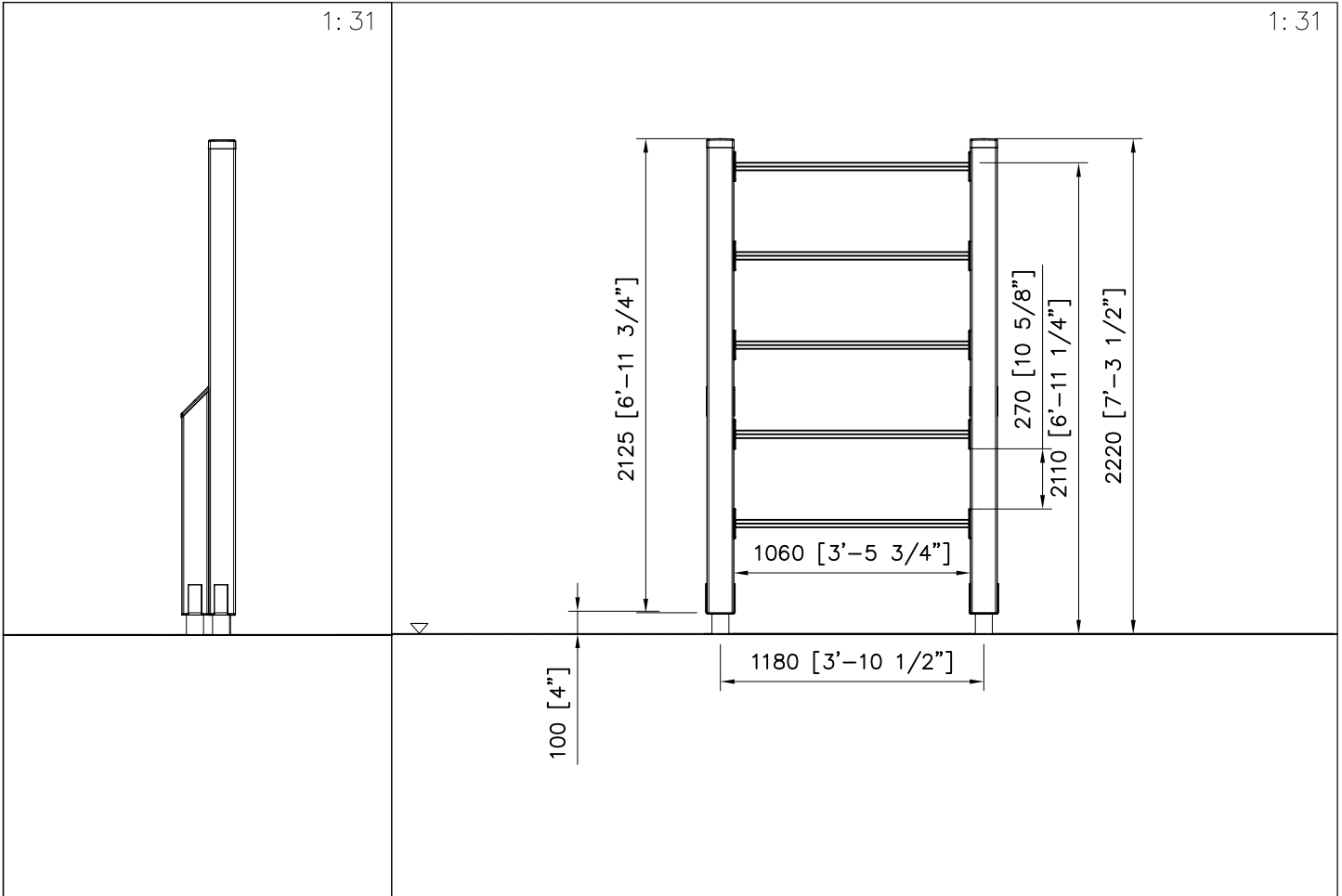






①	706037	PCS	②	705335	PCS
		1			2
				120x120x1000	
③	980114	PCS	④	905103	PCS
		4			6
	Ø4x20			PT-28/32-H	
⑤	905104	PCS	⑥	905761	PCS
		16			4
	M10			120x120x700	
⑦	905830	PCS	⑧	905838	PCS
		2			5
	123x123x40			L=1060	
⑨	909246	PCS	⑩	906583	PCS
		6			2
	M12x140			126x181x14x3	
⑪	980104	PCS	⑫	980123	PCS
		2			56
	Ø5x90			Ø7x60	
⑬	980100	PCS	⑭	980154	PCS
		2			6
	Ø5x60			Ø24/13	
⑮	705388	PCS	⑯	909256	PCS
		2			56
	120x120x2090			Ø16/8.4	

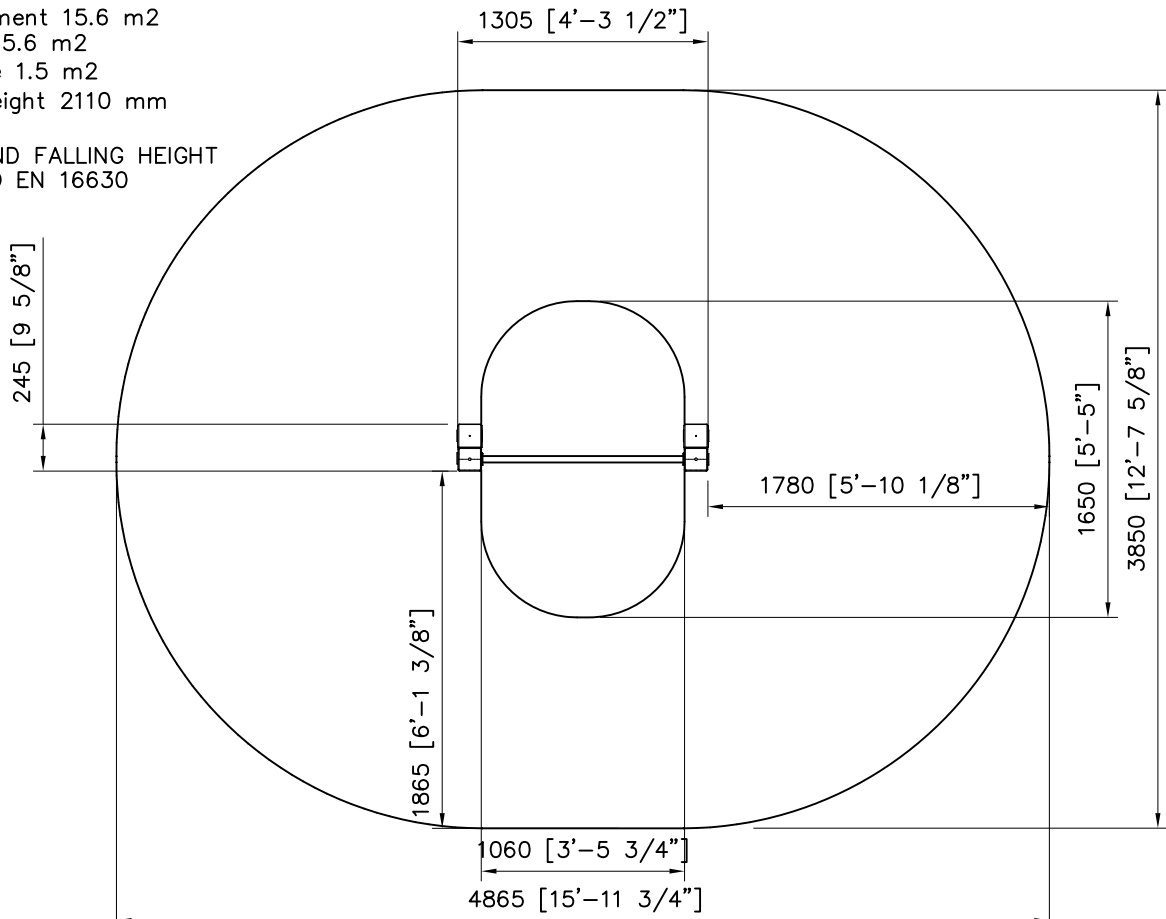


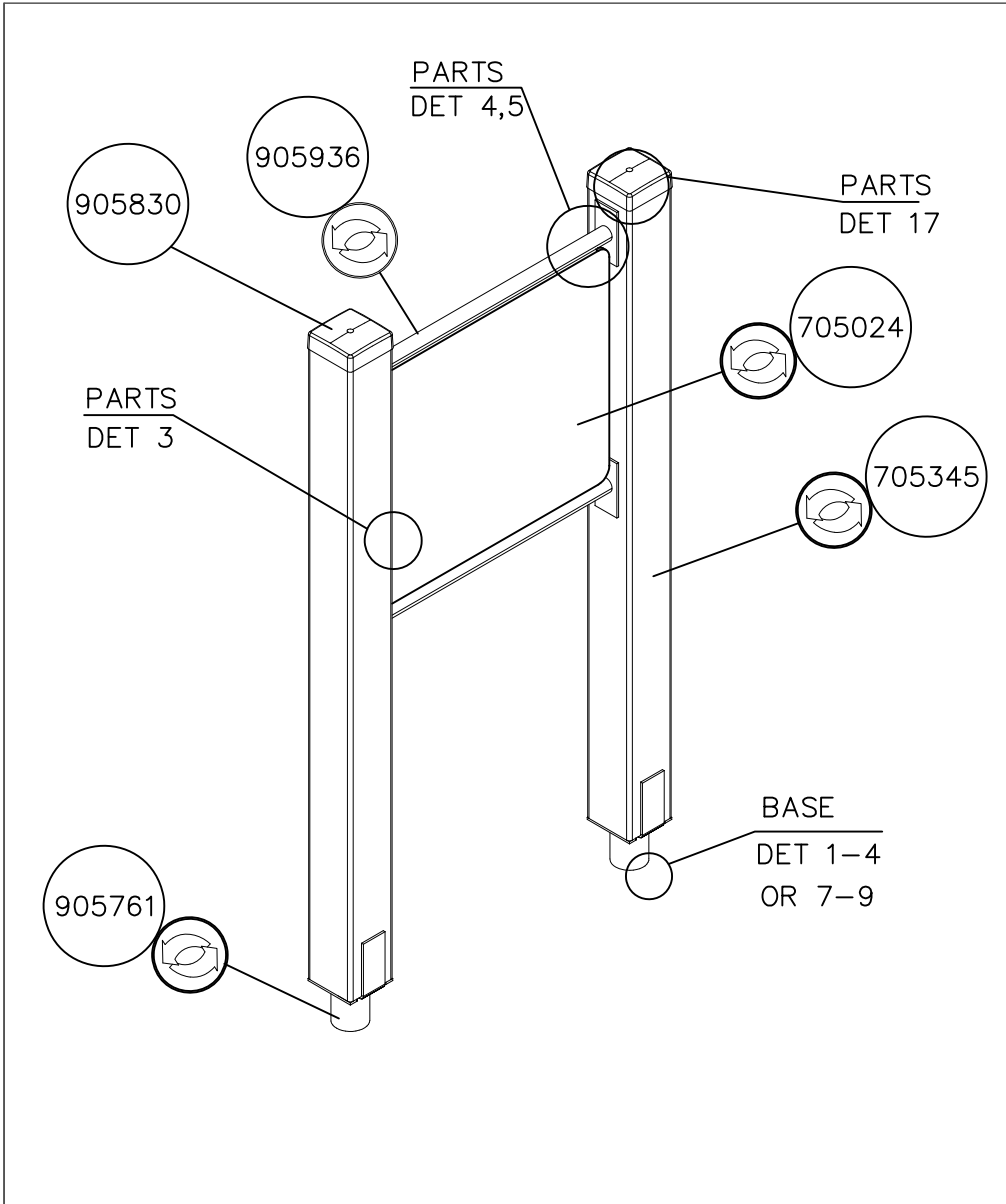


Area of Movement 15.6 m<sup>2</sup>  
Impact Area 15.6 m<sup>2</sup>  
Training Space 1.5 m<sup>2</sup>  
Max Falling Height 2110 mm

ALL AREAS AND FALLING HEIGHT  
ACCORDING TO EN 16630

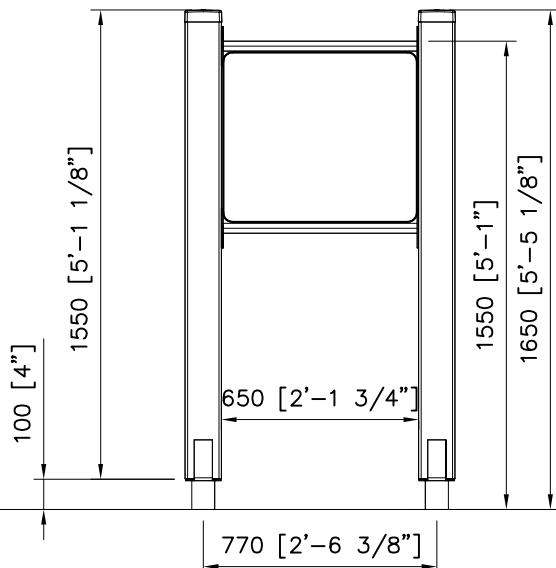
1: 39

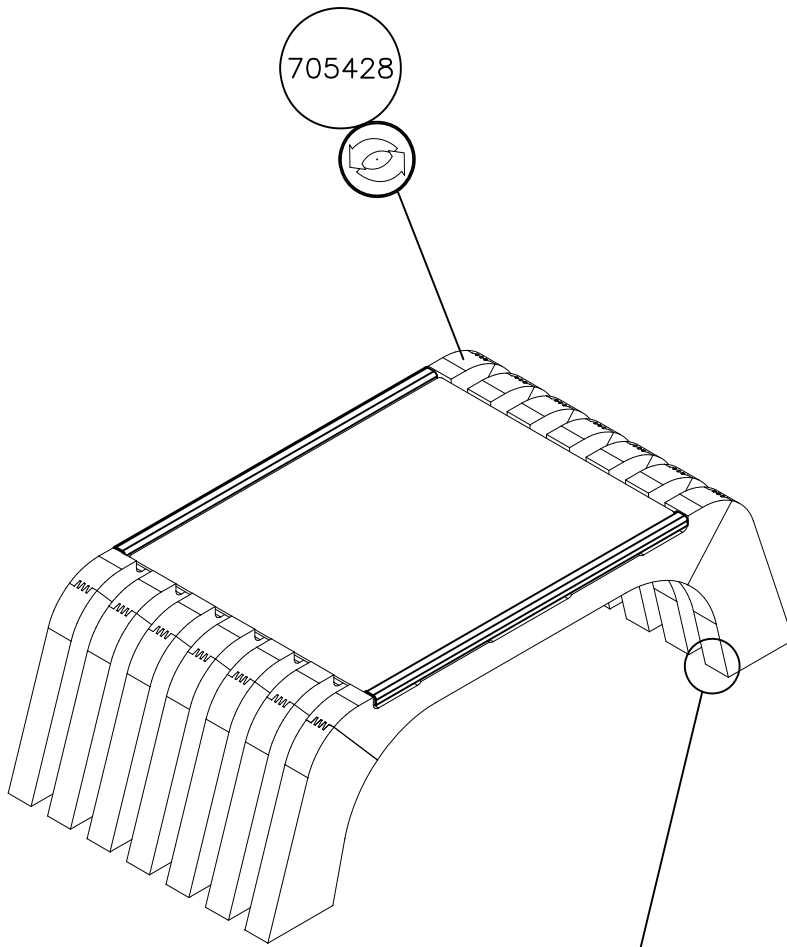




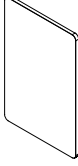

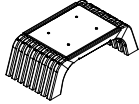

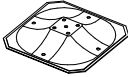
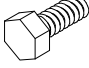


① 705024	PCS	② 705345	PCS
	1		2
15x640x560		120x120x1520	
③ 909633	PCS	④ 905104	PCS
	8		8
M8		M10	
⑤ 905761	PCS	⑥ 905830	PCS
	2		2
120x120x700		123x123x40	
⑦ 905936	PCS	⑧ 909256	PCS
	2		28
L=652		Ø16/8.4x1.6	
⑨ 909855	PCS	⑩ 980104	PCS
	8		2
M8x35		Ø5x90	
⑪ 980123	PCS		PCS
	20		
Ø7x60			
⑫ 901899	PCS		PCS
Optio	8		
M8x45			
	PCS		PCS

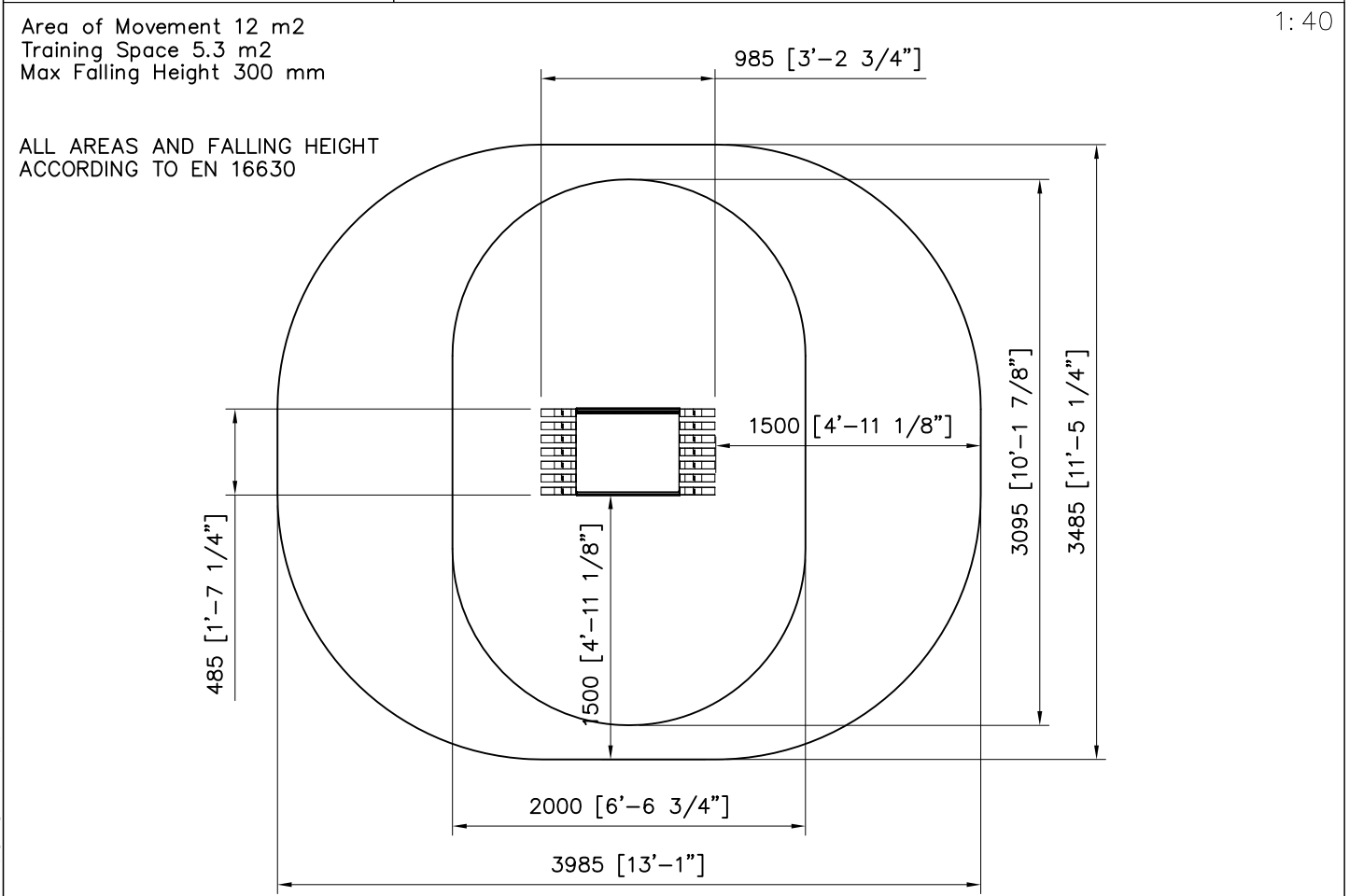
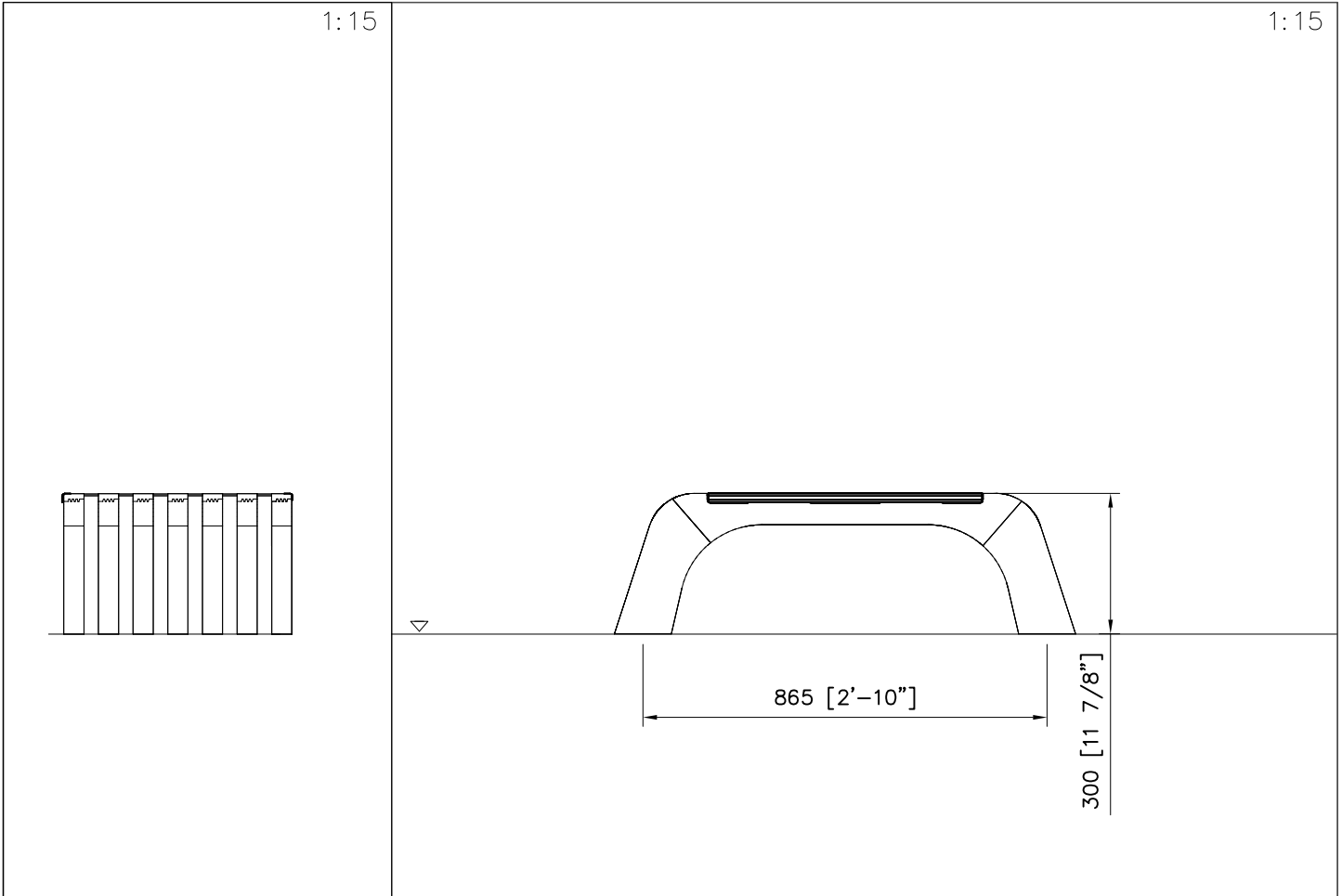
1: 25

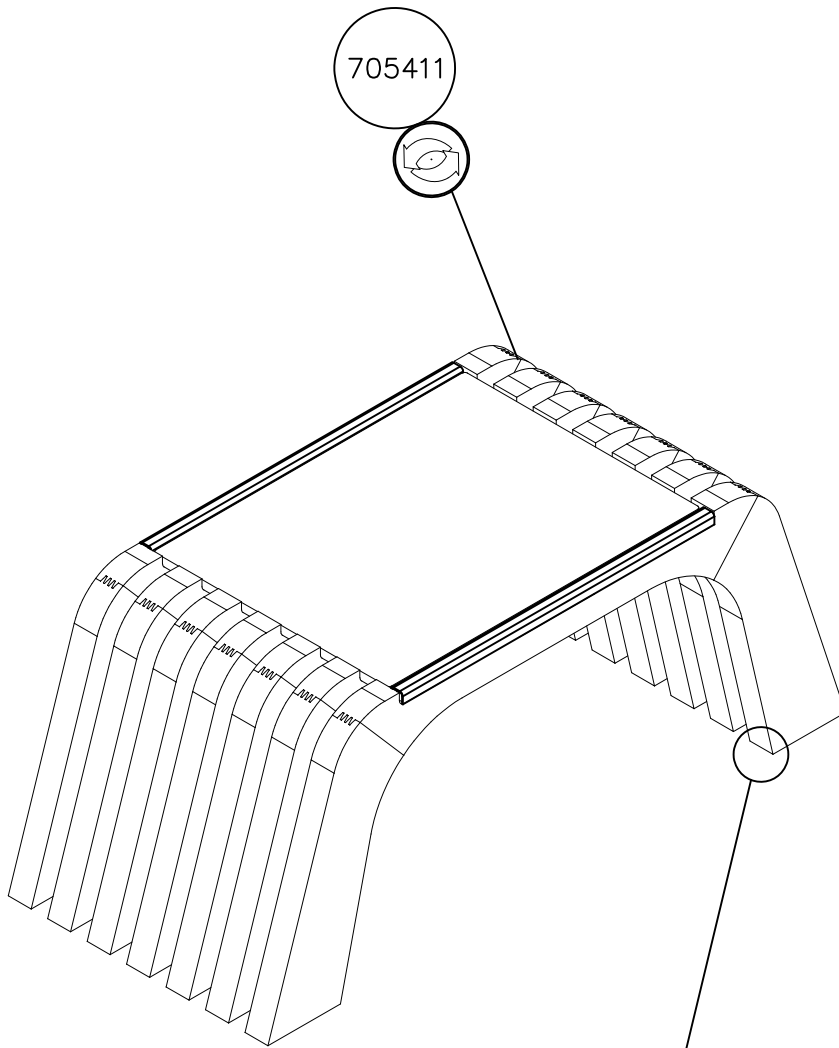






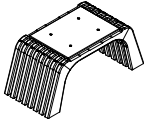
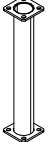
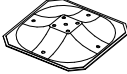
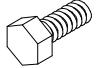
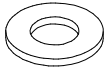

BASE  
DET 22-24  
OR 25-27

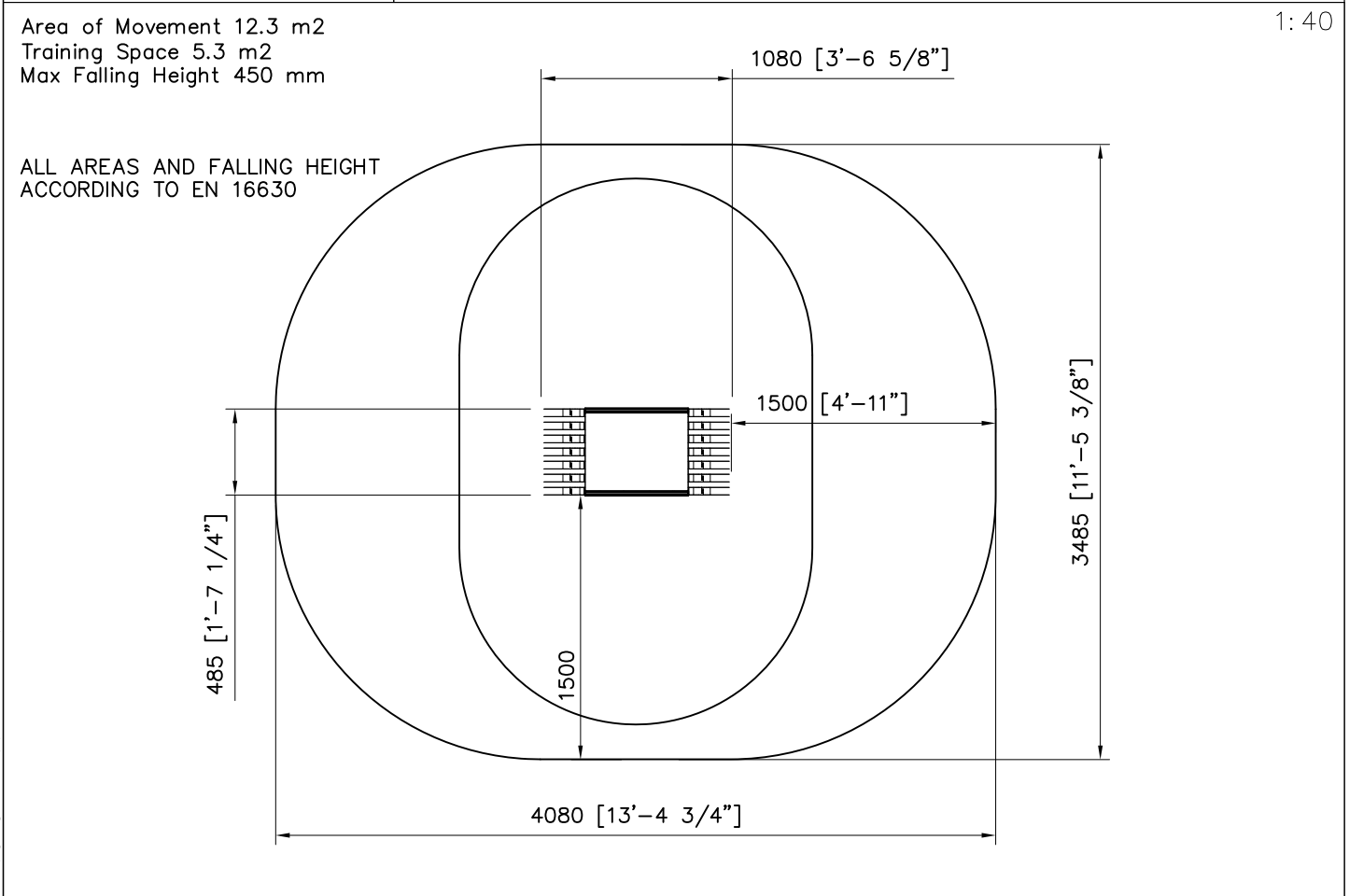
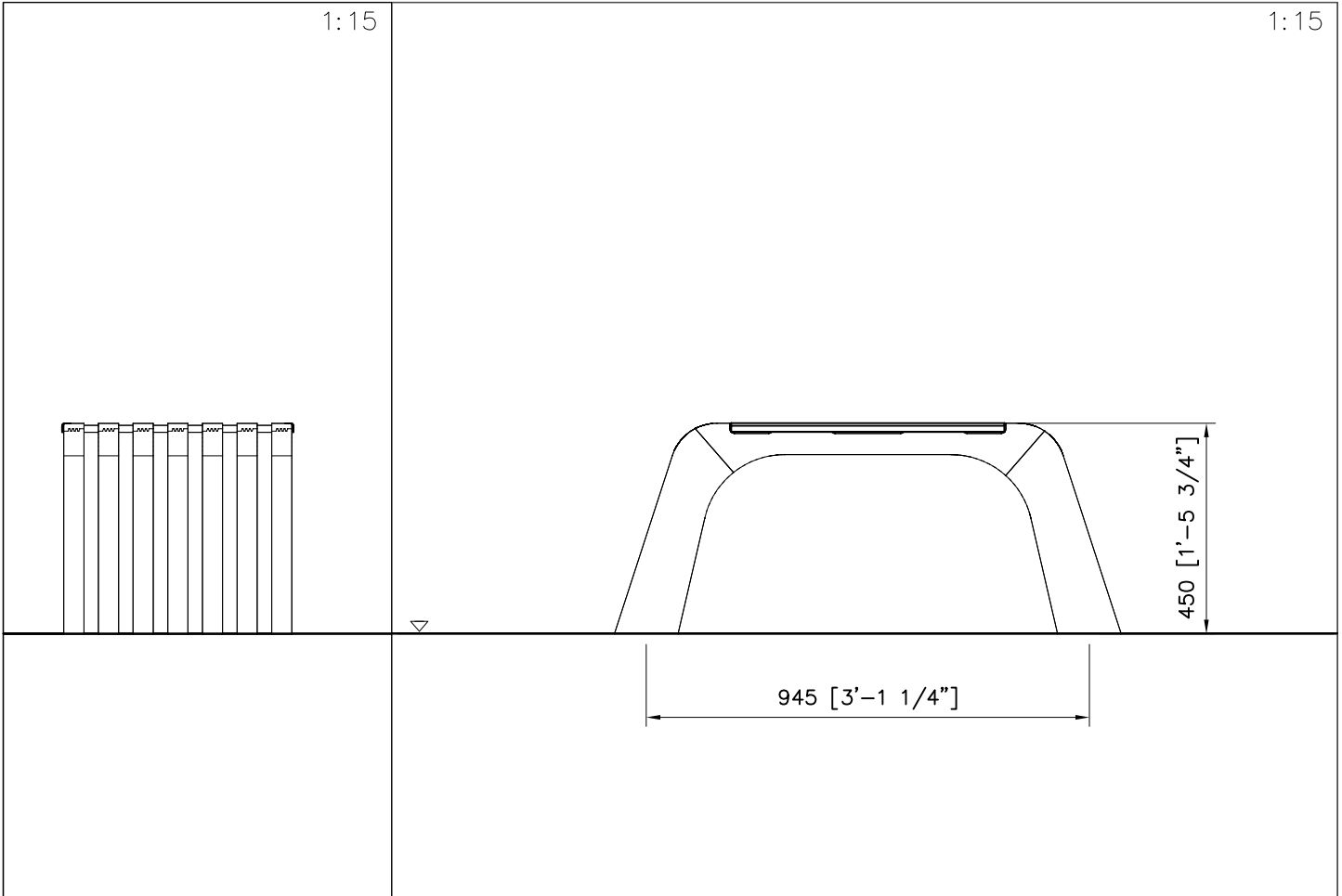
① 706017	PCS	② 980114	PCS
	1		4
		Ø4x20	
③ 705428	PCS	④ 902272	PCS
	1		4
		90x90x450	
⑤ 909519	PCS	⑥ 909639	PCS
	4		8
50x380x380		M10x25	
⑦ 909638	PCS	⑧ 909637	PCS
	16		8
Ø20/10.5		M10	
	PCS		PCS
	PCS		PCS
	PCS		PCS
	PCS		PCS

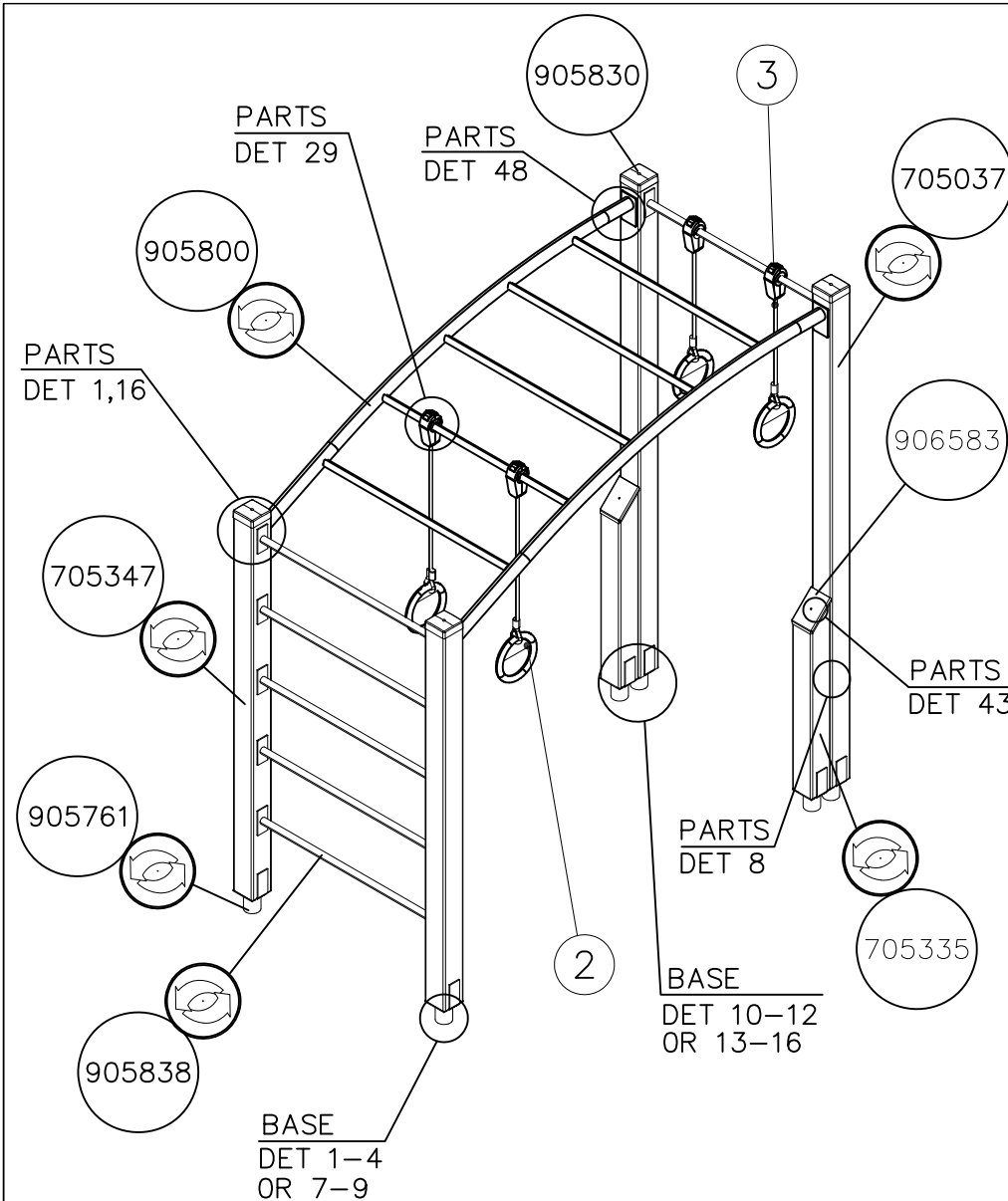




BASE  
DET 22-24  
OR 25-27

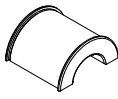
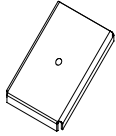
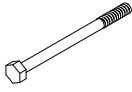






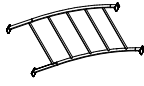



①	706018	PCS	②	980114	PCS
		1			4
				Ø4x20	
③	705411	PCS	④	902272	PCS
		1			4
				90x90x450	
⑤	909519	PCS	⑥	909639	PCS
		4			8
	50x380x380			M10x25	
⑦	909638	PCS	⑧	909637	PCS
		16			8
	Ø20/10.5			M10	
		PCS			PCS
		PCS			PCS
		PCS			PCS
		PCS			PCS



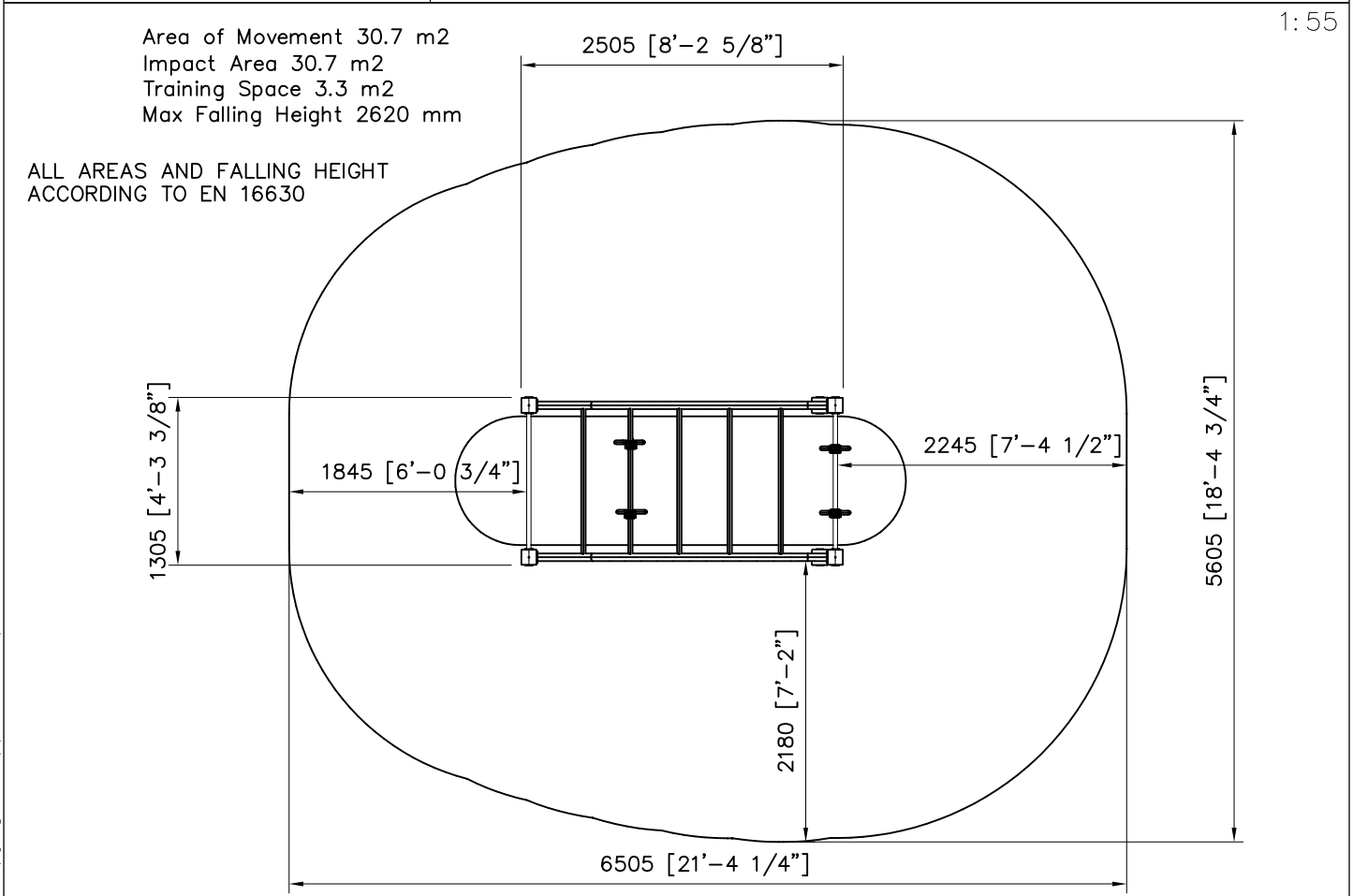
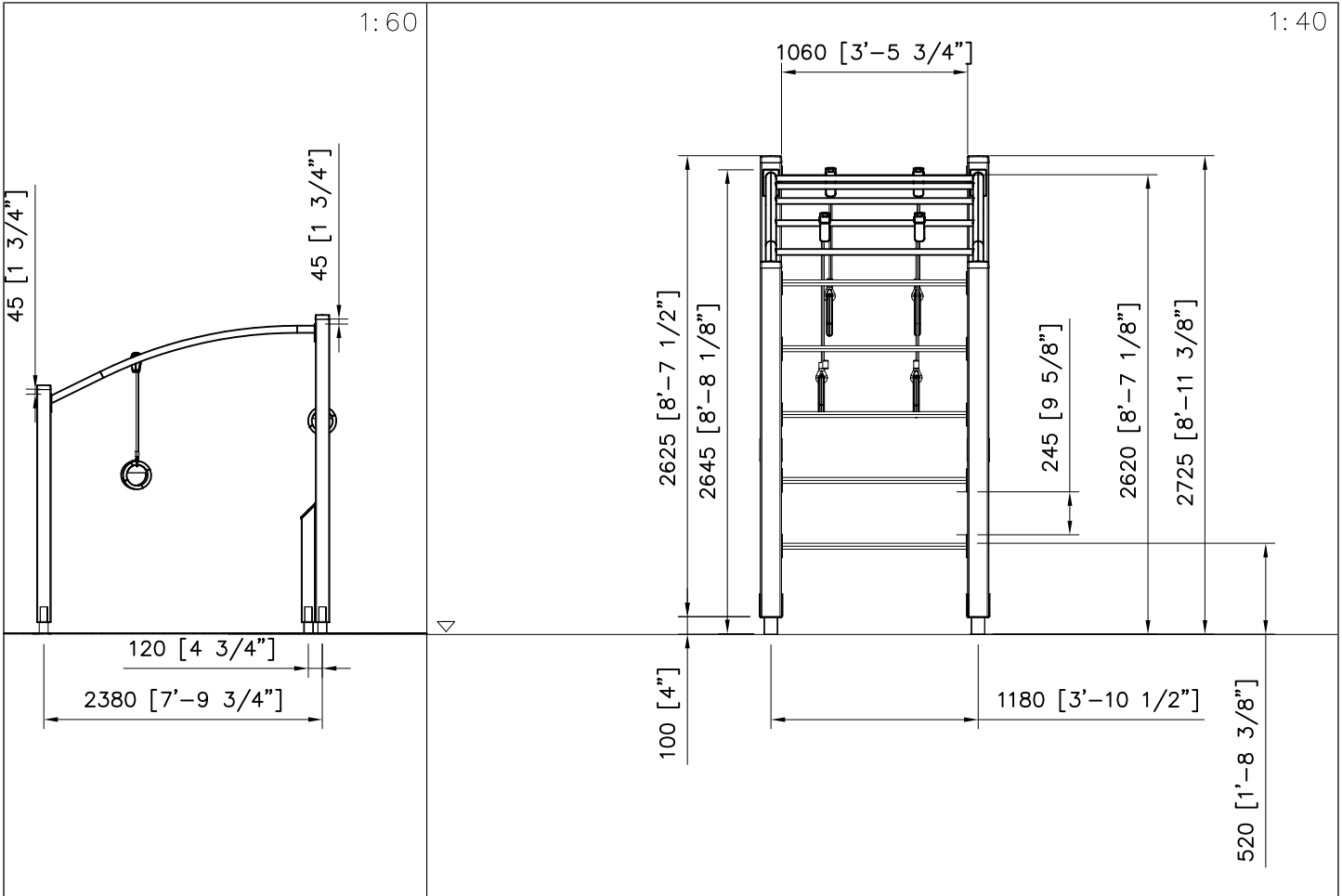


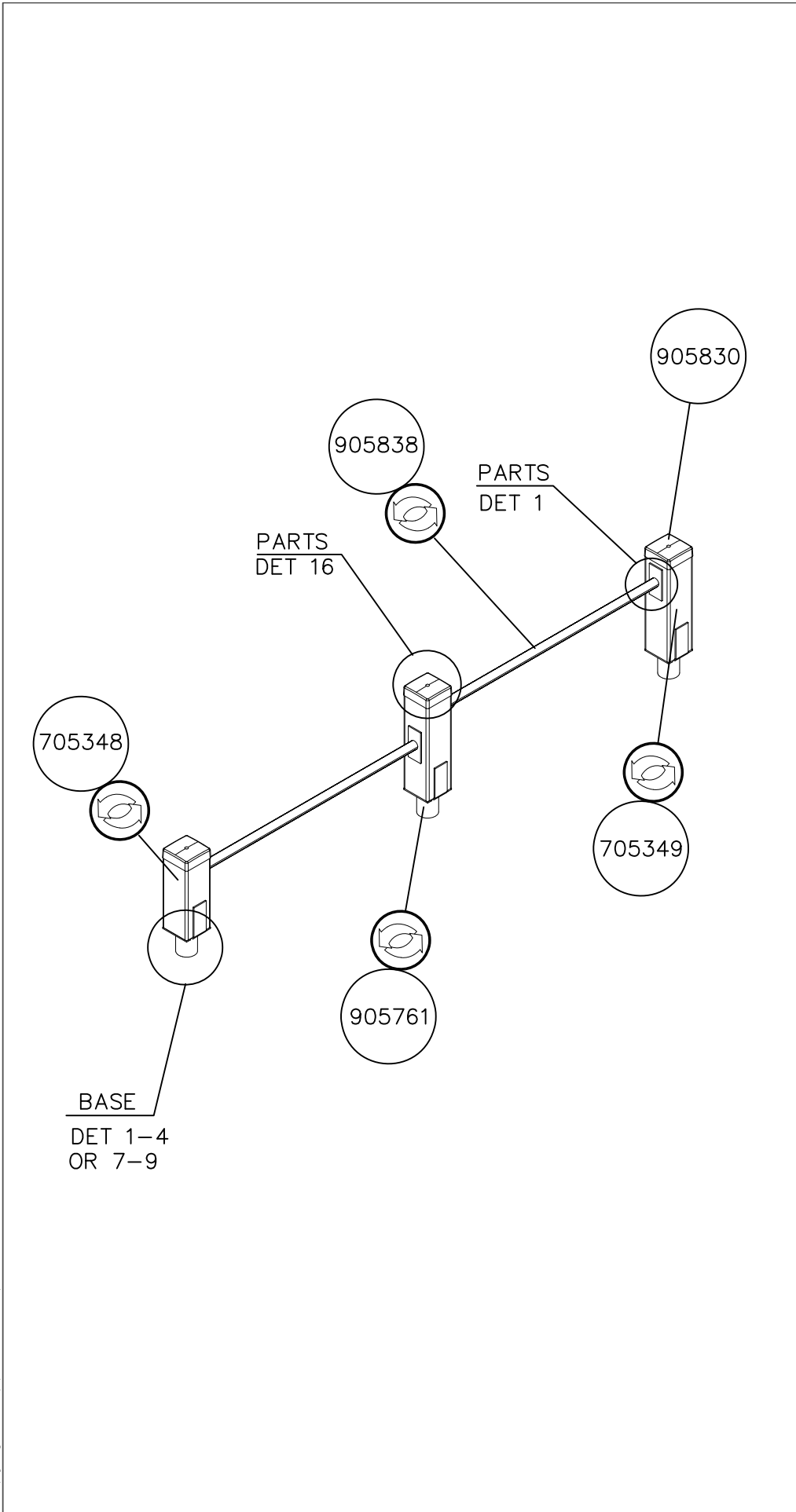
①	706026	PCS	②	705039	PCS
		1			2
				Ø16x974	
③	705040	PCS	④	705037	PCS
		2			2
	Ø16x764			120x120x2590	
⑤	705335	PCS	⑥	705347	PCS
		2			2
	120x120x1000			120x120x1990	
⑦	902195	PCS	⑧	902232	PCS
		8			4
	150x50x50			M10x55	
⑨	902233	PCS	⑩	706087	PCS
		4			1
	M10x30				
⑪	980100	PCS	⑫	905103	PCS
		2			6
	Ø5x60			PT-28/32-H	
⑬	905104	PCS	⑭	905761	PCS
		24			6
	M10			120x120x700	
⑮	905830	PCS	⑯	905838	PCS
		4			6
	123x123x40			L=1060	



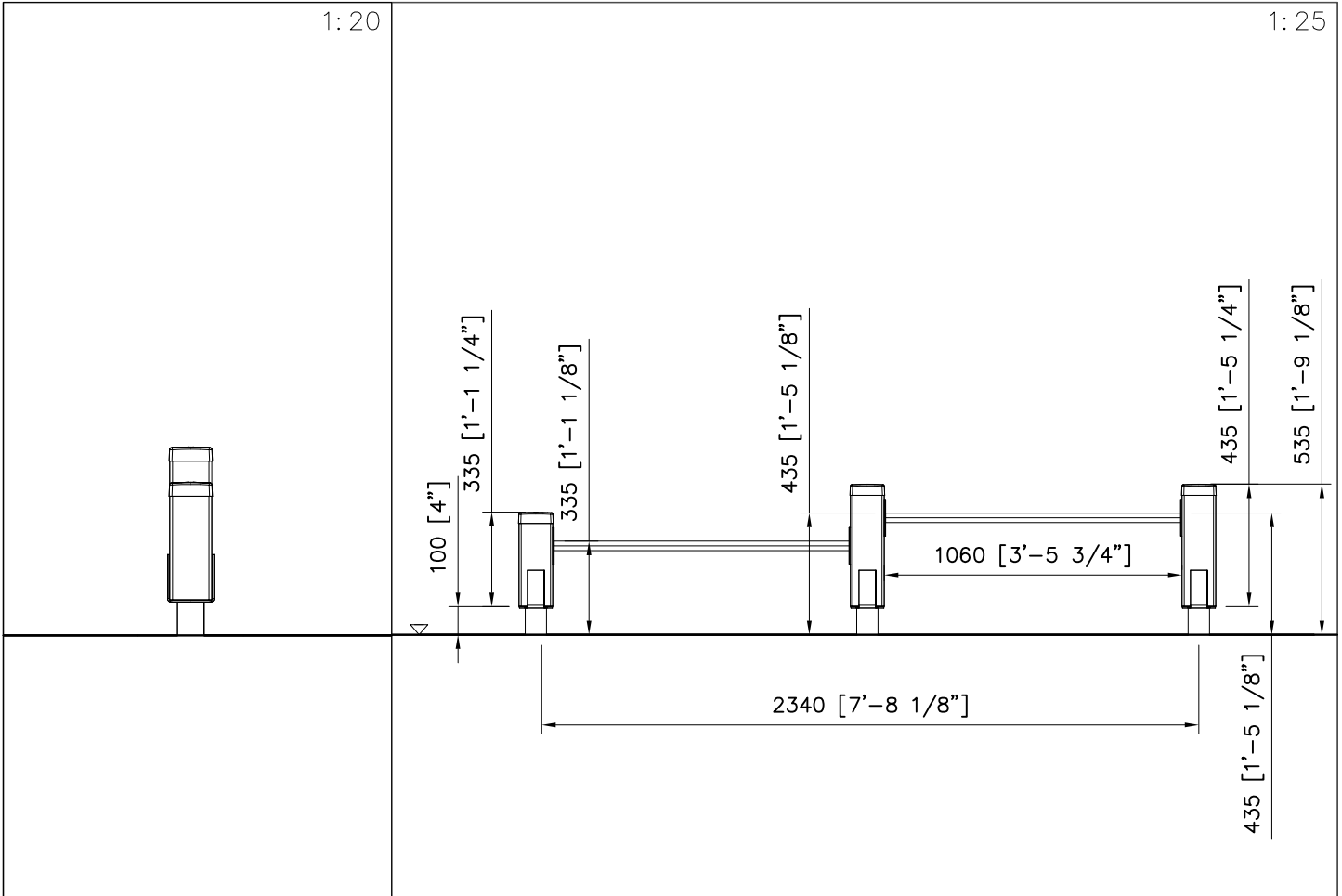
<p>⑰ 906006 PCS</p>  <p>8</p> <p>Ø64/34,5x59</p>	<p>⑱ 906583 PCS</p>  <p>2</p> <p>126x181x14x3</p>	<p>⑲ 909246 PCS</p>  <p>6</p> <p>M12x140</p>	<p>⑳ 980114 PCS</p>  <p>16</p> <p>Ø4x20</p>	<p>㉑ 900240 PCS</p>  <p>16</p> <p>Ø8x70</p>	<p>㉒ 980104 PCS</p>  <p>4</p> <p>Ø5x90</p>
<p>㉓ 980123 PCS</p>  <p>72</p> <p>Ø7x60</p>	<p>㉔ 980154 PCS</p>  <p>6</p> <p>Ø24/13</p>	<p>㉕ 980161 PCS</p>  <p>8</p> <p>M10</p>	<p>㉖ 905800 PCS</p>  <p>1</p> <p>2260x600x1270</p>	<p>㉗ 909256 PCS</p>  <p>72</p> <p>Ø16/8.4</p>	<p>㉘ 706263 PCS</p>  <p>1</p>
					<p>㉙ 702339 PCS</p>  <p>1</p> <p>118x78</p>







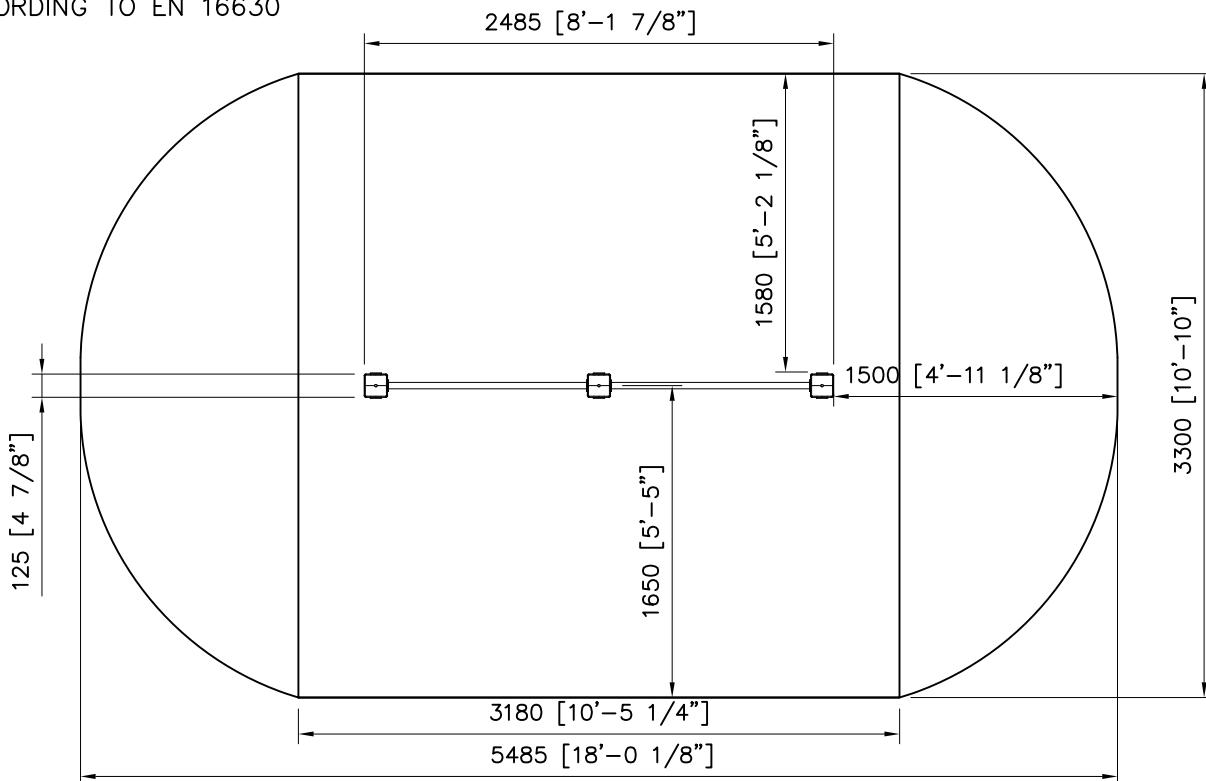
①	706025	PCS	②	705348	PCS
		1			1
				120x120x300	
③	705349	PCS	④	980114	PCS
		2			4
	120x120x400			Ø4x20	
⑤	980123	PCS	⑥	905104	PCS
		28			12
	Ø7x60			M10	
⑦	905761	PCS	⑧	905830	PCS
		3			3
	120x120x700			123x123x40	
⑨	905838	PCS	⑩	980104	PCS
		2			3
	L=1060			Ø5x90	
⑪	909256	PCS			PCS
		28			
	Ø16/8.4				
		PCS			PCS
		PCS			PCS

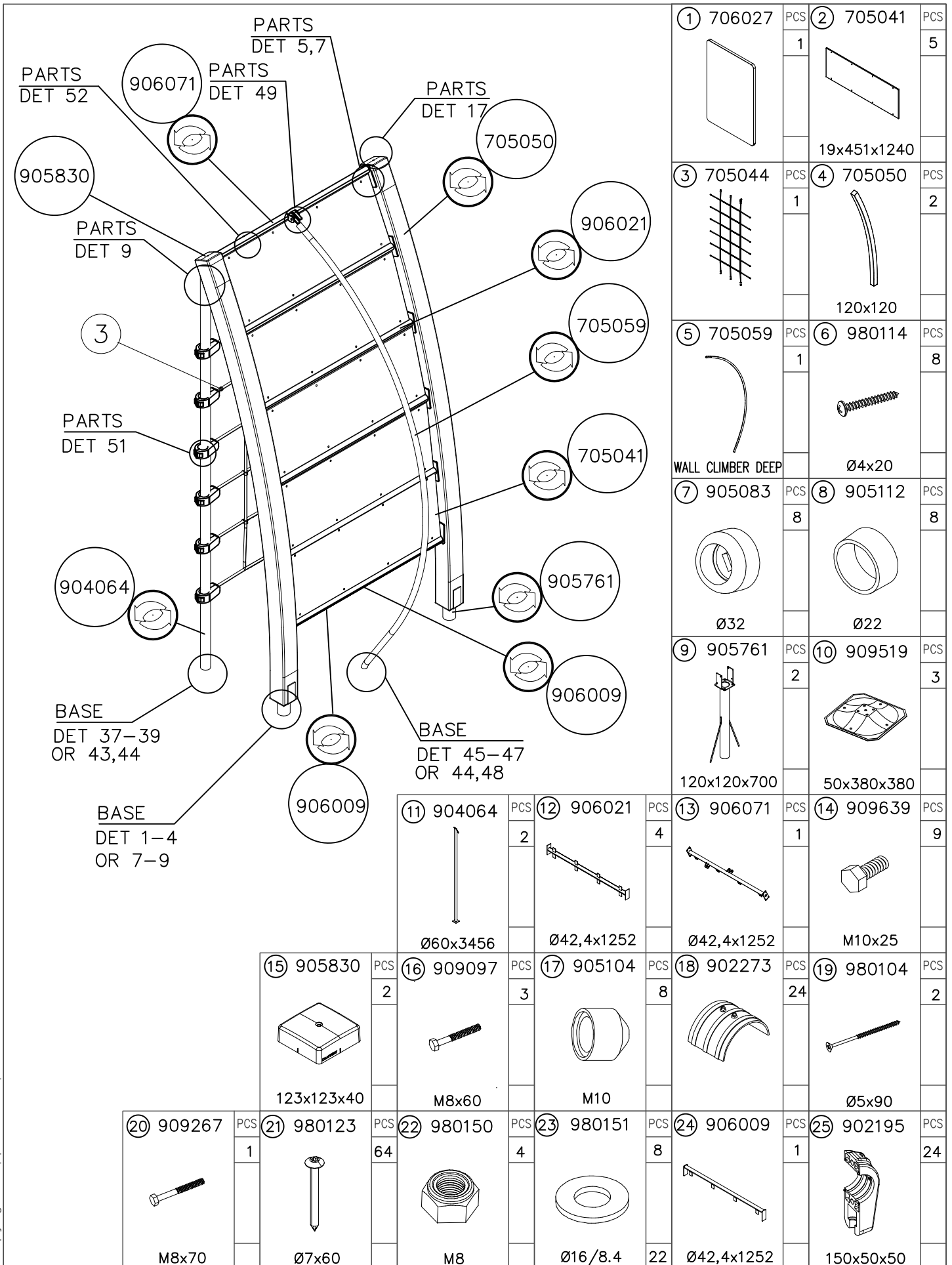


Area of Movement 16.2 m<sup>2</sup>  
Training Space 10.5m<sup>2</sup>  
Max Falling Height 435 mm

1: 40

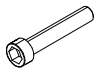
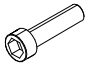
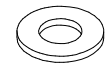
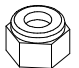
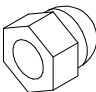
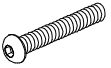
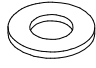
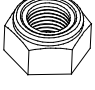
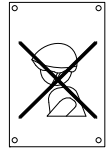
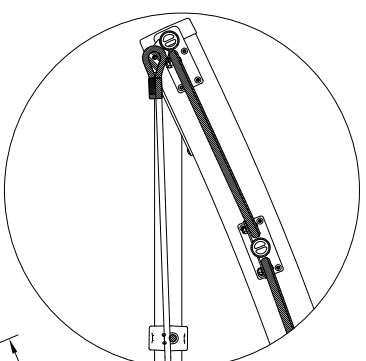
ALL AREAS AND FALLING HEIGHT  
ACCORDING TO EN 16630



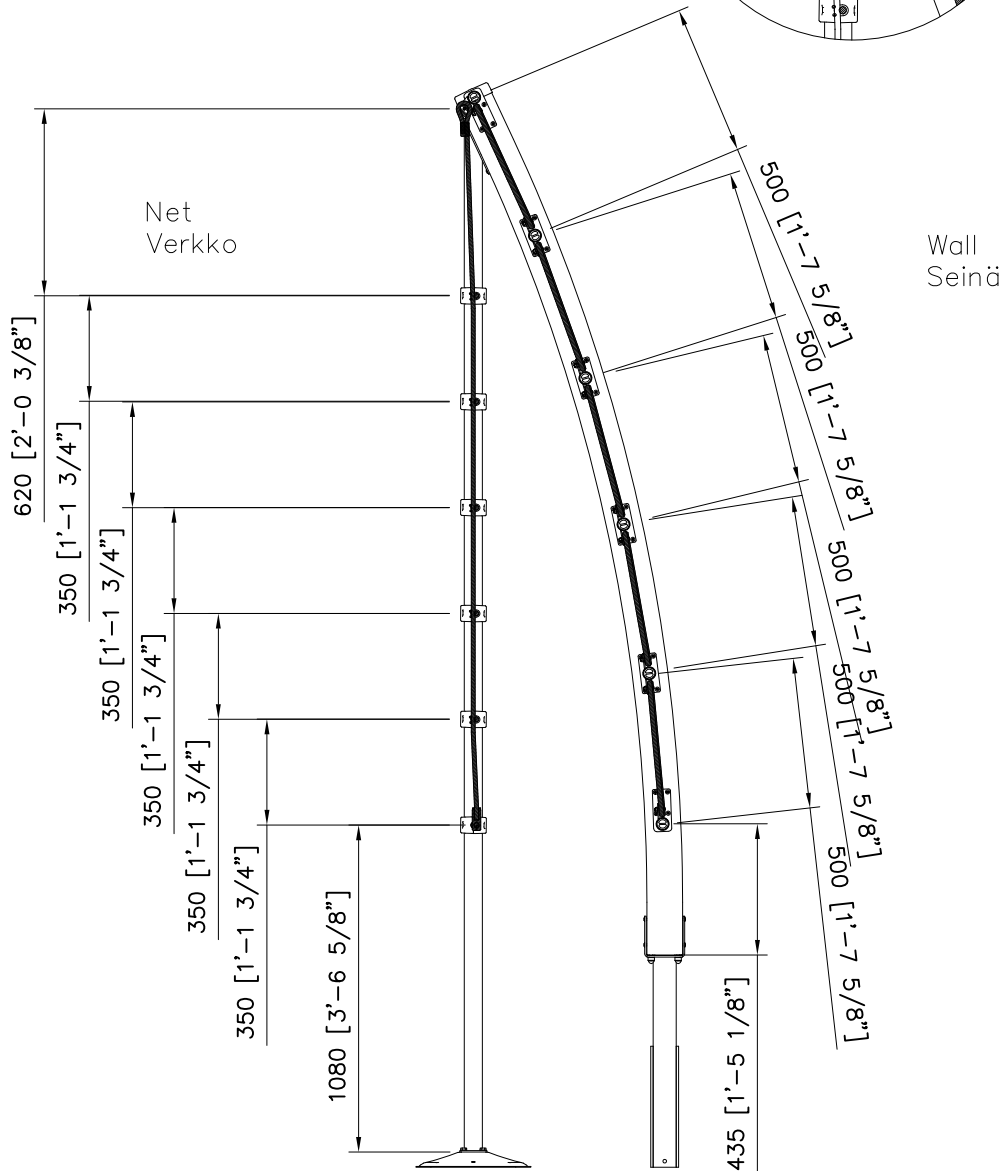


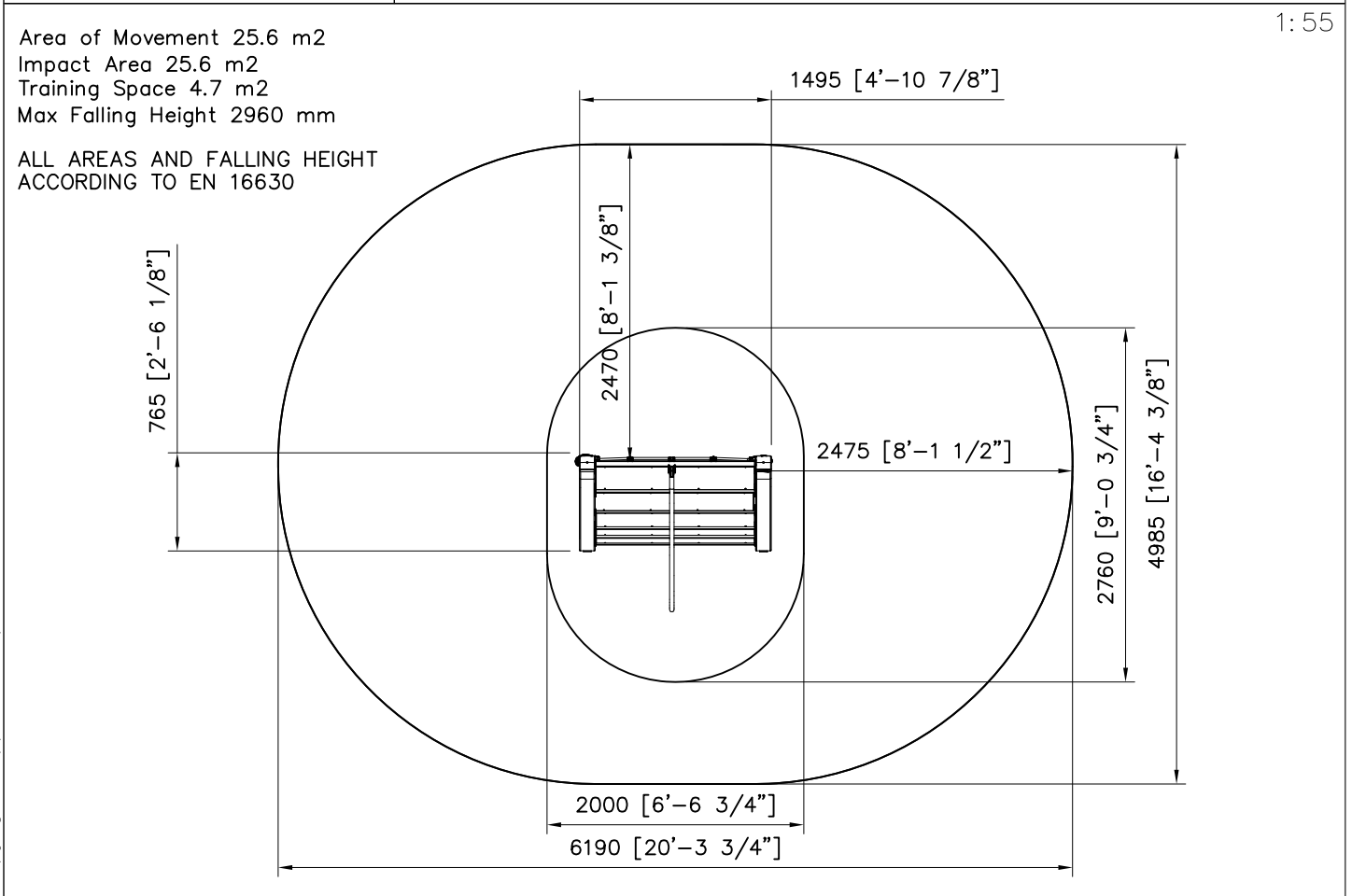
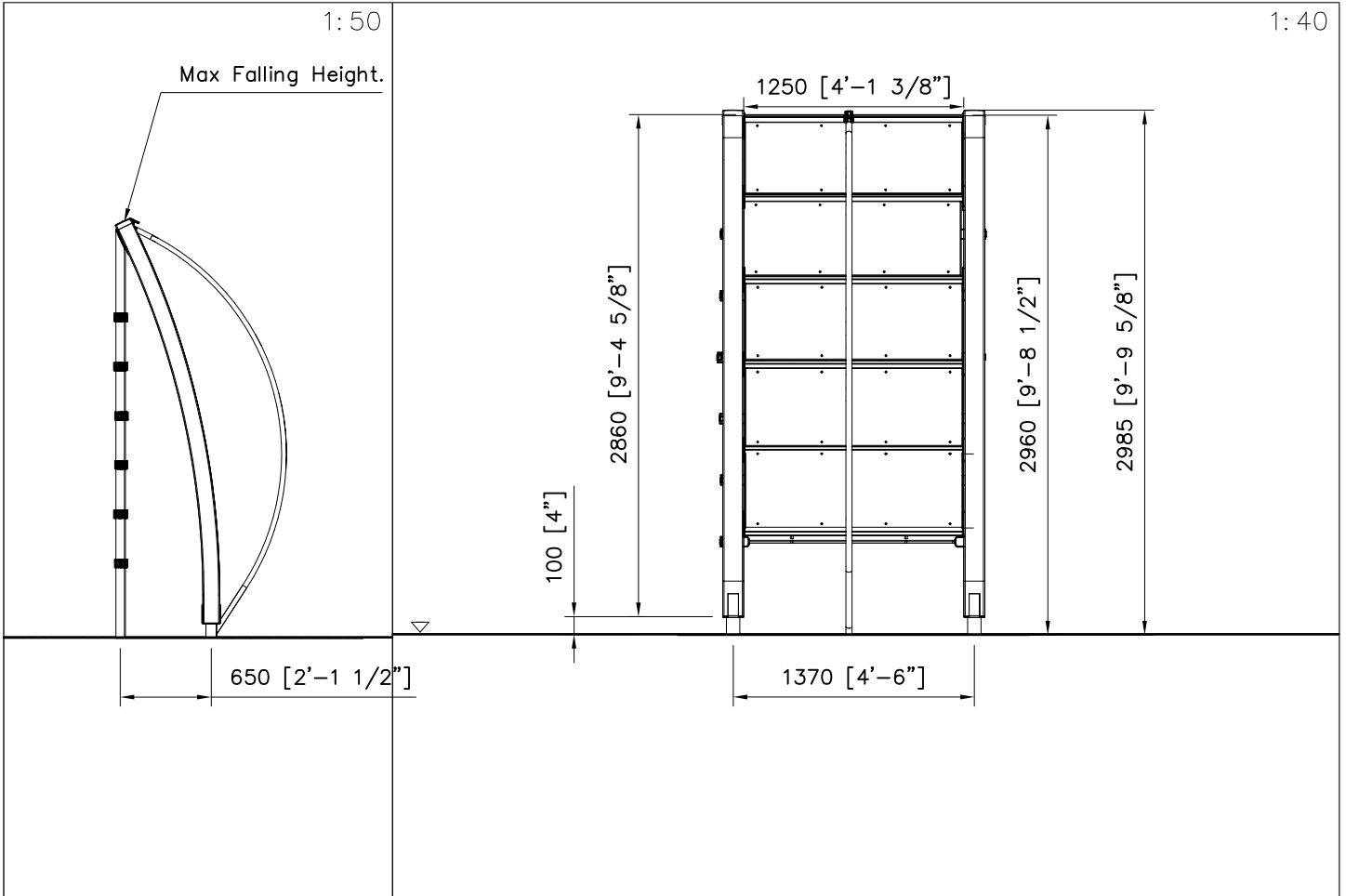
①	706027	PCS	②	705041	PCS
		1			5
				19x451x1240	
③	705044	PCS	④	705050	PCS
		1			2
				120x120	
⑤	705059	PCS	⑥	980114	PCS
		1			8
	WALL CLIMBER DEEP			Ø4x20	
⑦	905083	PCS	⑧	905112	PCS
		8			8
	Ø32			Ø22	
⑨	905761	PCS	⑩	909519	PCS
		2			3
	120x120x700			50x380x380	
⑪	904064	PCS	⑫	906021	PCS
		2			4
	Ø60x3456			Ø42,4x1252	
				Ø42,4x1252	
				M10x25	
⑬	906071	PCS	⑭	909639	PCS
		1			9
⑮	905830	PCS	⑯	980104	PCS
		2			2
	123x123x40			Ø5x90	
⑰	905104	PCS	⑱	980150	PCS
		8			4
	M10			M8	
⑲	902273	PCS	⑳	980123	PCS
		24			64
				Ø7x60	
㉑	909267	PCS	㉒	980151	PCS
		1			8
	M8x70			Ø16/8.4	22
㉓	906009	PCS	㉔	902195	PCS
		1			24
	Ø42,4x1252			150x50x50	



<p>(26) 902232 PCS 12</p>  <p>M10x55</p>	<p>(27) 902233 PCS 12</p>  <p>M10x30</p>	<p>(28) 909256 PCS 104</p>  <p>Ø16/8.4x1.6</p>	<p>(29) 909637 PCS 9</p>  <p>M10</p>	<p>(30) 909633 PCS 40</p>  <p>M8</p>	<p>(31) 909852 PCS 40</p>  <p>M8x30</p>
<p>(32) 909638 PCS 18</p>  <p>Ø20/10.5</p>	<p>(33) 980161 PCS 24</p>  <p>M10</p>	<p>(34) 702339 PCS 1</p>  <p>118x78</p>			

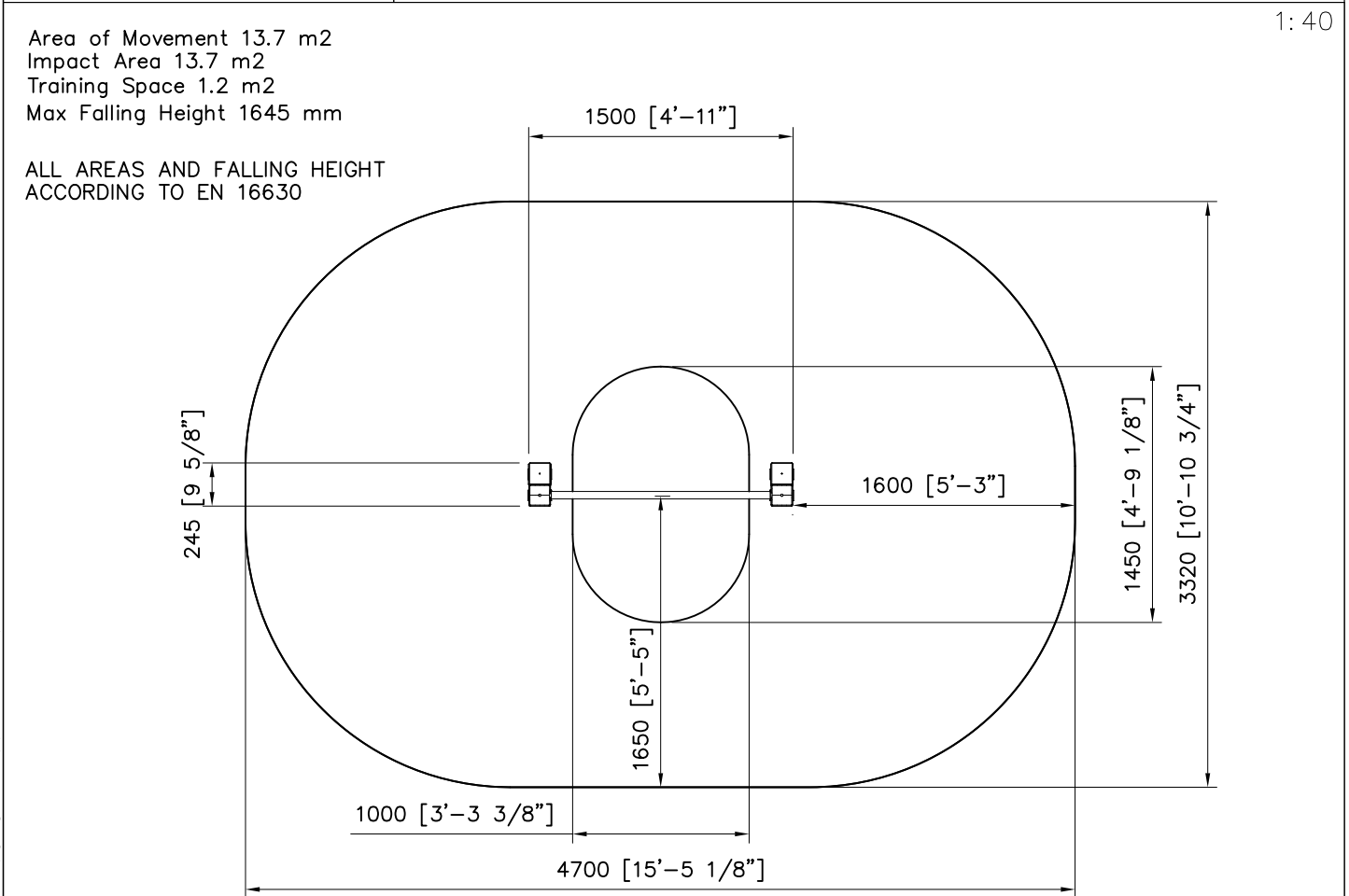
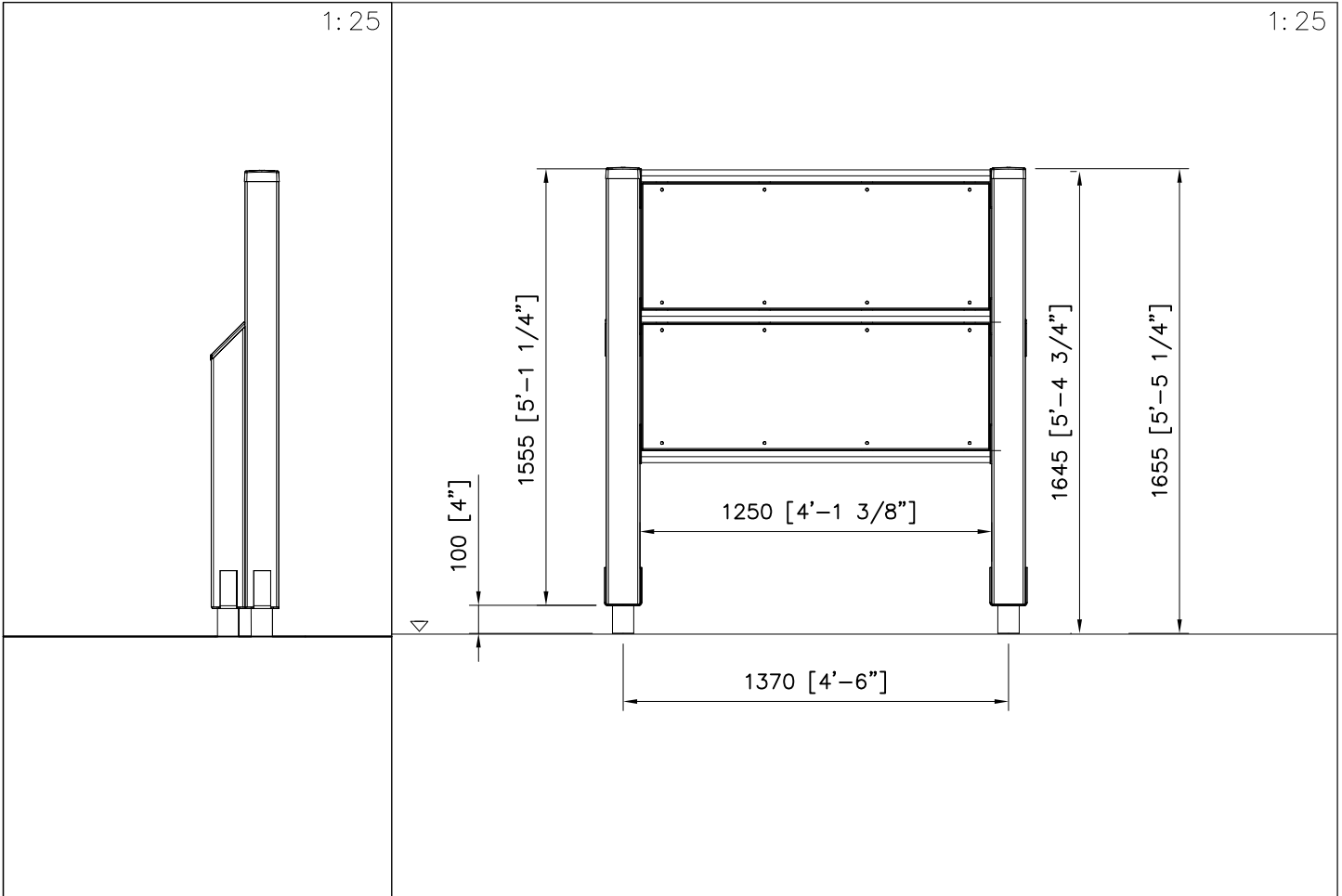
1:25







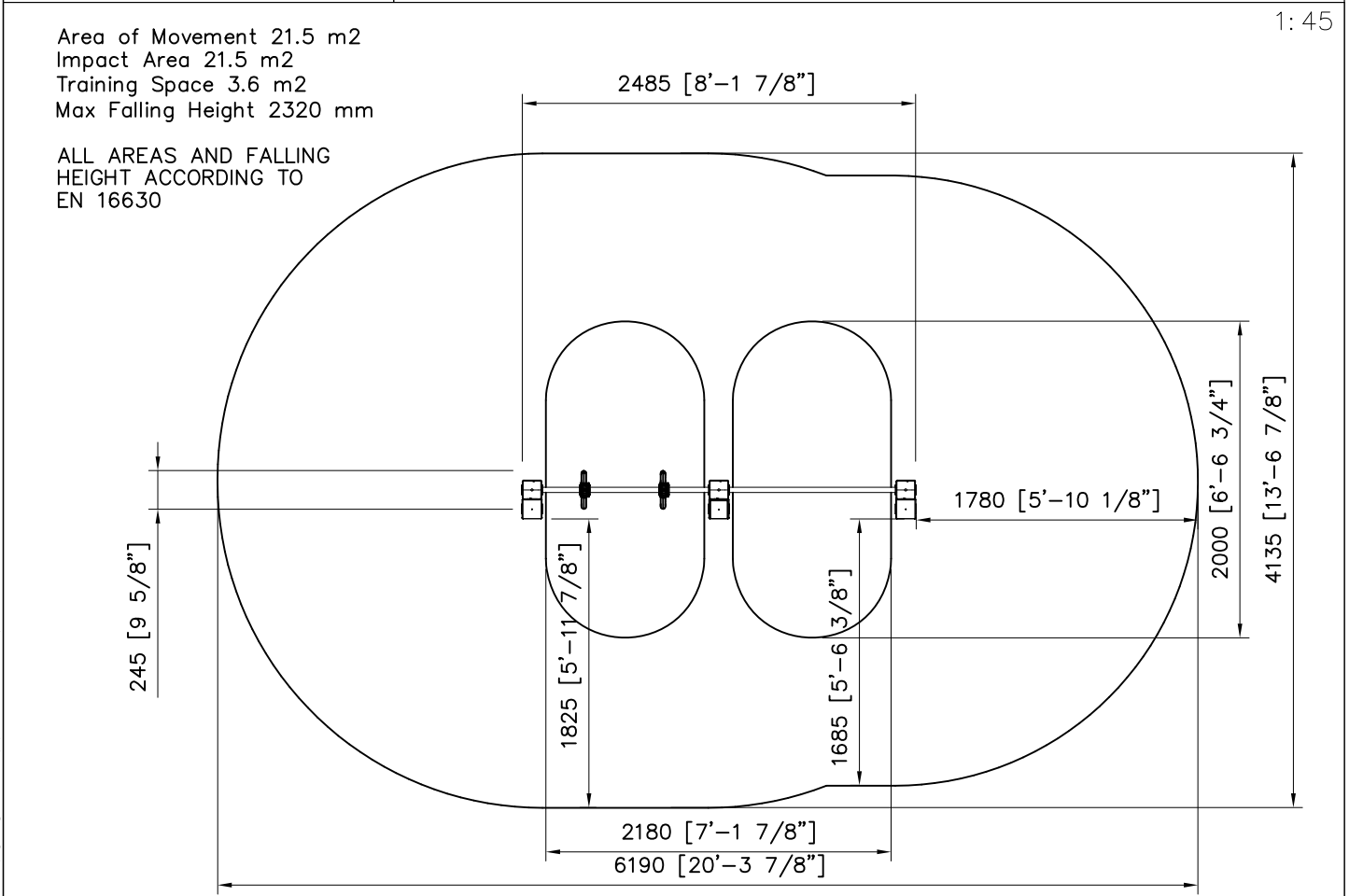
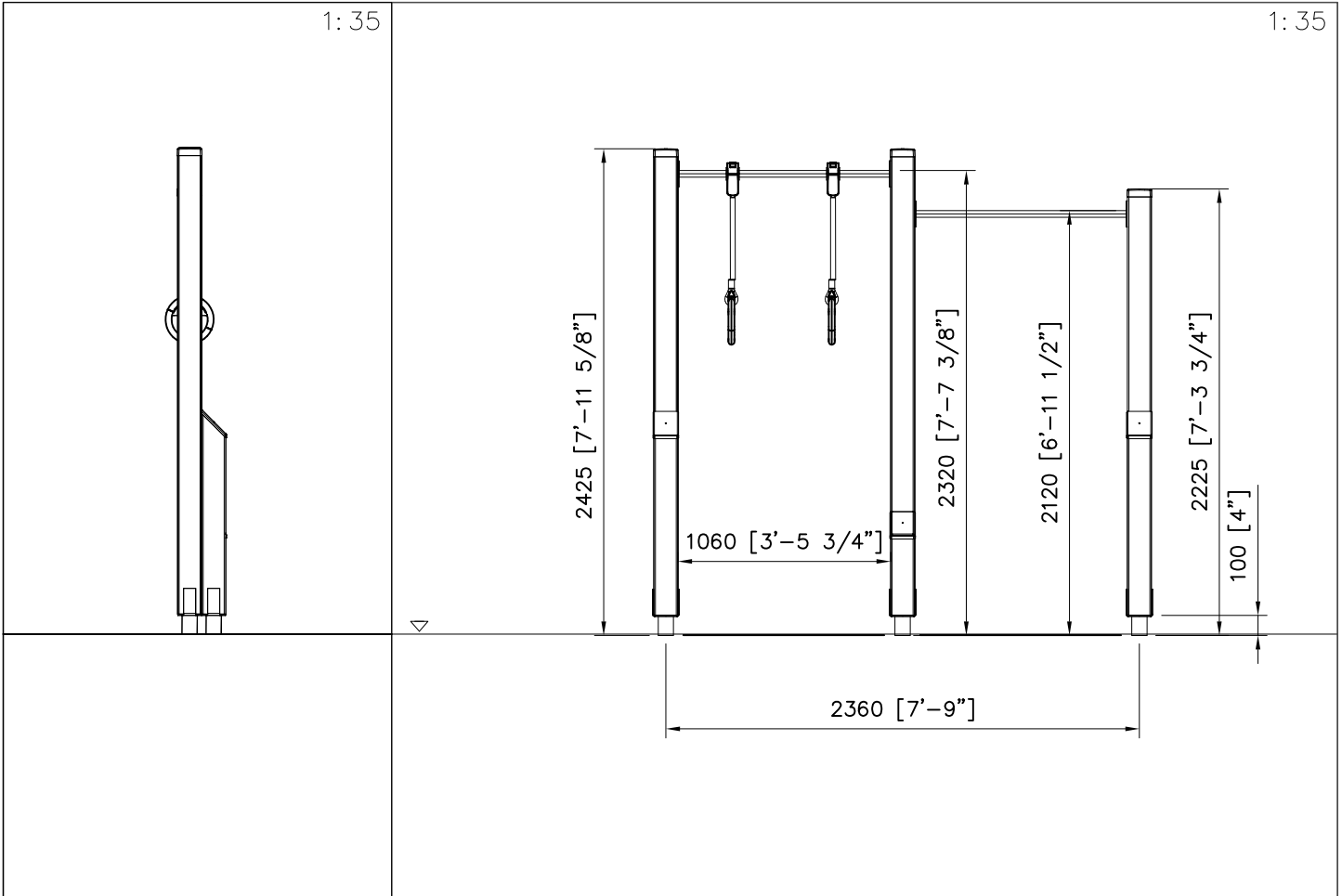
	①	706028	PCS	1	②	705041	PCS	2	
							19x451x1240		
		③	705027	PCS	2	④	705335	PCS	2
			120x120x1520				120x120x1000		
		⑤	980114	PCS	4	⑥	905103	PCS	6
			Ø4x20				PT-28/32-H		
		⑦	905104	PCS	16	⑧	905830	PCS	2
		M10				123x123x40			
	⑨	906009	PCS	2	⑩	906021	PCS	1	
		Ø42,4x1252				Ø42,4x1252			
	⑪	905761	PCS	4	⑫	906583	PCS	2	
		120x120x700				126x181x14x3			
	⑬	909246	PCS	6					
		M12x140							
	⑭	909633	PCS	16	⑮	909852	PCS	16	
		M8				M8x30			
	⑯	980123	PCS	40	⑰	980152	PCS	16	
		Ø7x60				Ø24/8.4x2			
	⑱	980152	PCS	16	⑲	980152	PCS	16	
		Ø24/8.4x2				Ø24/13			
	⑳	980154	PCS	6	㉑	909256	PCS	40	
		Ø24/13				Ø16/8.4			

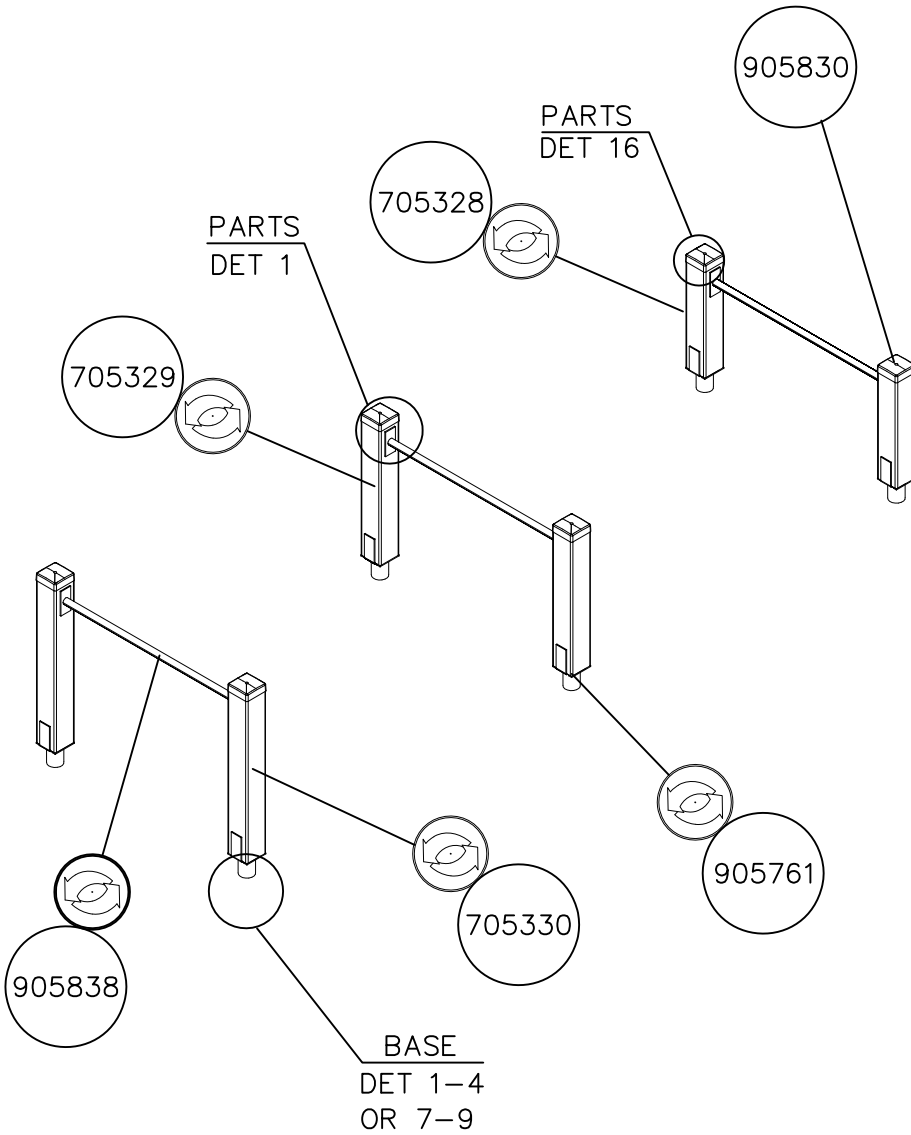




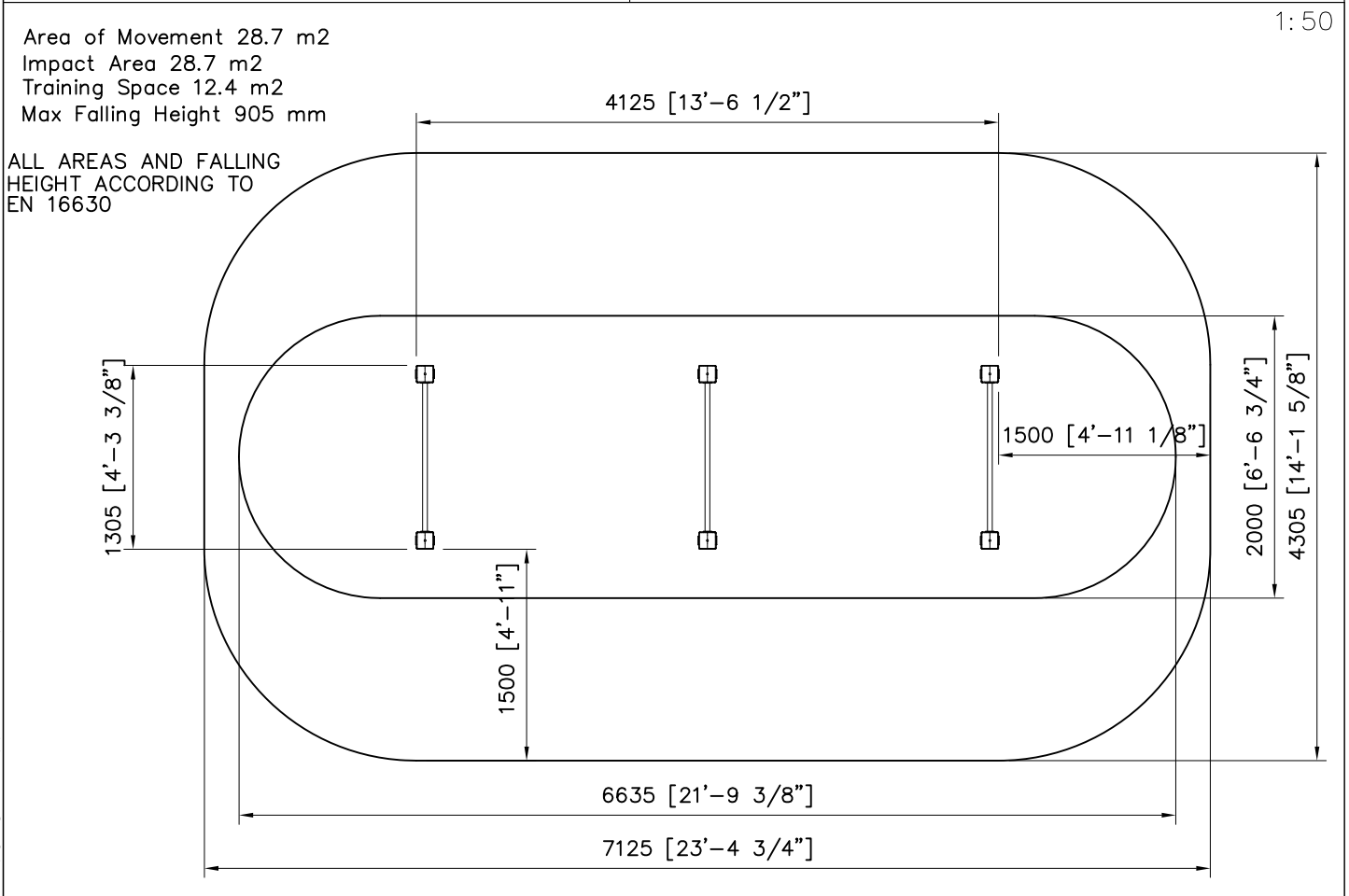
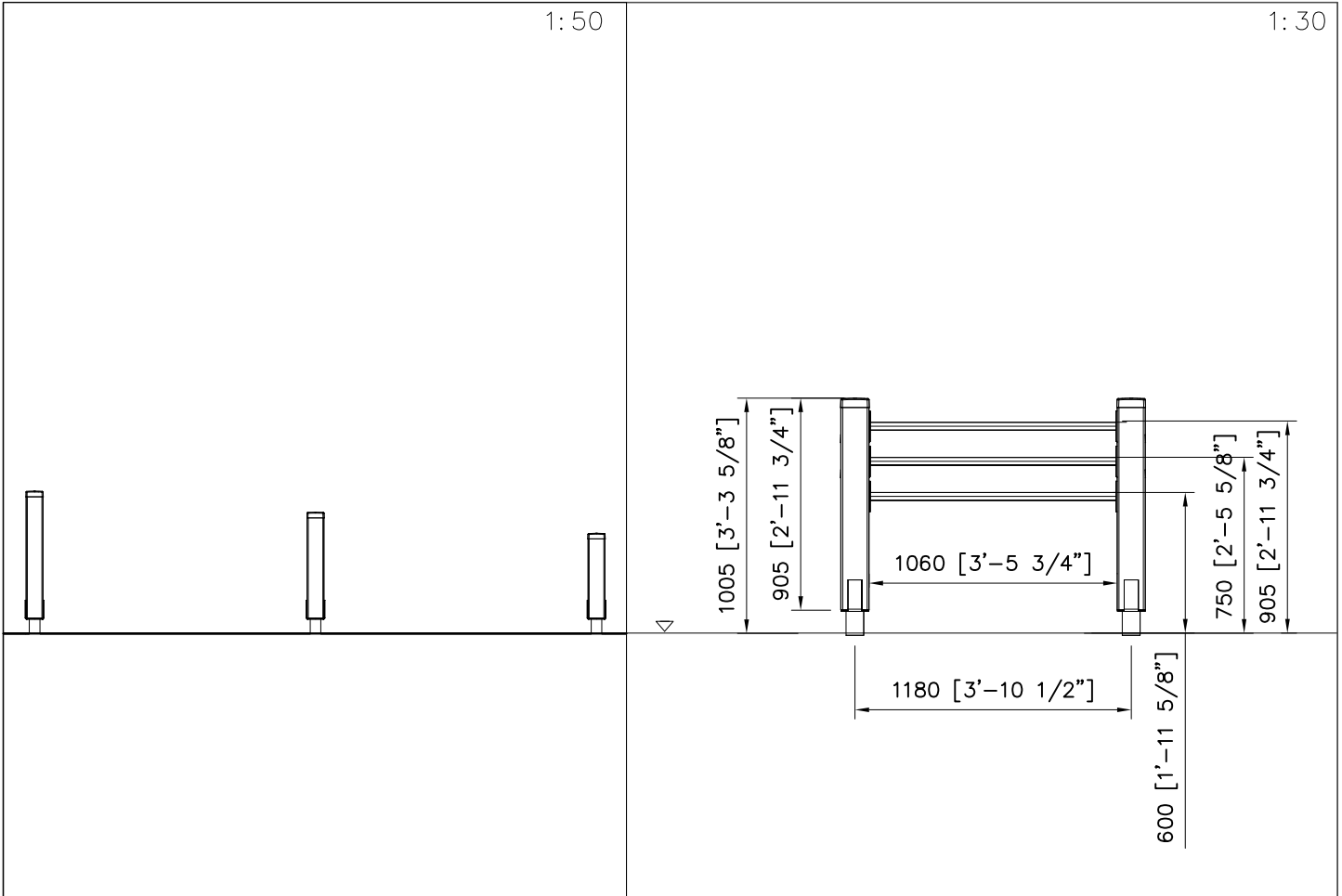


	①	706030	PCS	1	②	705231	PCS	1
	③	705335	PCS	2	④	705388	PCS	1
	⑤	705402	PCS	1	⑥	705405	PCS	1
	⑦	705406	PCS	1	⑧	902195	PCS	4
	⑨	902232	PCS	2	⑩	902233	PCS	2
	⑪	706088	PCS	1	⑫	905103	PCS	7
	⑬	905104	PCS	24	⑭	905761	PCS	6
	⑮	905830	PCS	3	⑯	905838	PCS	2
	⑰	906583	PCS	2	⑱	909246	PCS	7
	⑲	980114	PCS	8	⑳	980100	PCS	3
㉑	980104	PCS	3	㉒	980123	PCS	40	
㉓	980154	PCS	7	㉔	980161	PCS	4	
㉕	705040	PCS	2	㉖	906006	PCS	4	
㉗	909256	PCS	40					





①	706031	PCS	②	705328	PCS
		1			2
				120x120x570	
③	705329	PCS	④	705330	PCS
		2			2
	120x120x720			120x120x870	
⑤	980114	PCS	⑥	905838	PCS
		4			3
	Ø4x20			L=1060	
⑦	905104	PCS	⑧	905761	PCS
		24			6
	M10			120x120x700	
⑨	905830	PCS	⑩	980104	PCS
		6			6
	123x123x40			Ø5x90	
⑪	980123	PCS	⑫	909256	PCS
		48			48
	Ø7x60			Ø16/8.4	
		PCS			PCS
		PCS			PCS



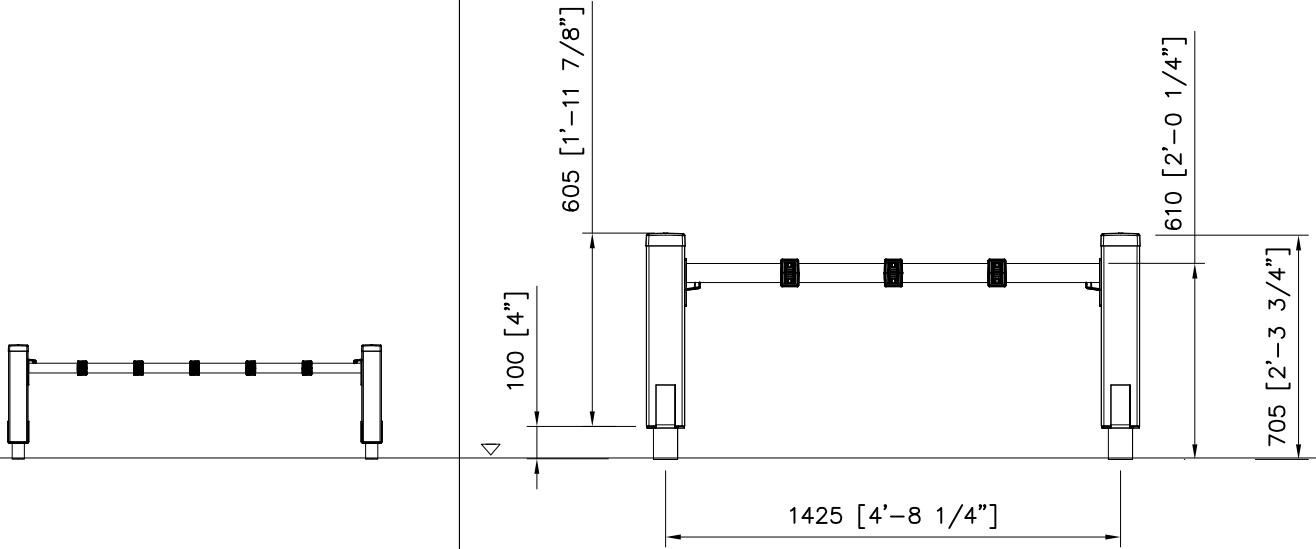


	①	706036	PCS	1	②	980114	PCS	8
						Ø4x20		
	③	905104	PCS	16	④	905830	PCS	4
		M10				123x123x40		
	⑤	980123	PCS	48	⑥	905761	PCS	4
		Ø7x60				120x120x700		
	⑦	902273	PCS	32	⑧	705328	PCS	4
						120x120x570		
	⑨	705537	PCS	1	⑩	902195	PCS	32
						150x50x50		
⑪	906727	PCS	2	⑫	906725	PCS	2	
	Ø60x1307				Ø60x2080			
⑬	980104	PCS	4	⑭	980161	PCS	32	
	Ø5x90				M10			
⑮	902232	PCS	16	⑯	902233	PCS	16	
	M10x55				M10x30			
⑰	909256	PCS	48	⑱	702339	PCS	1	
	Ø16/8.4				118x78			



1: 47

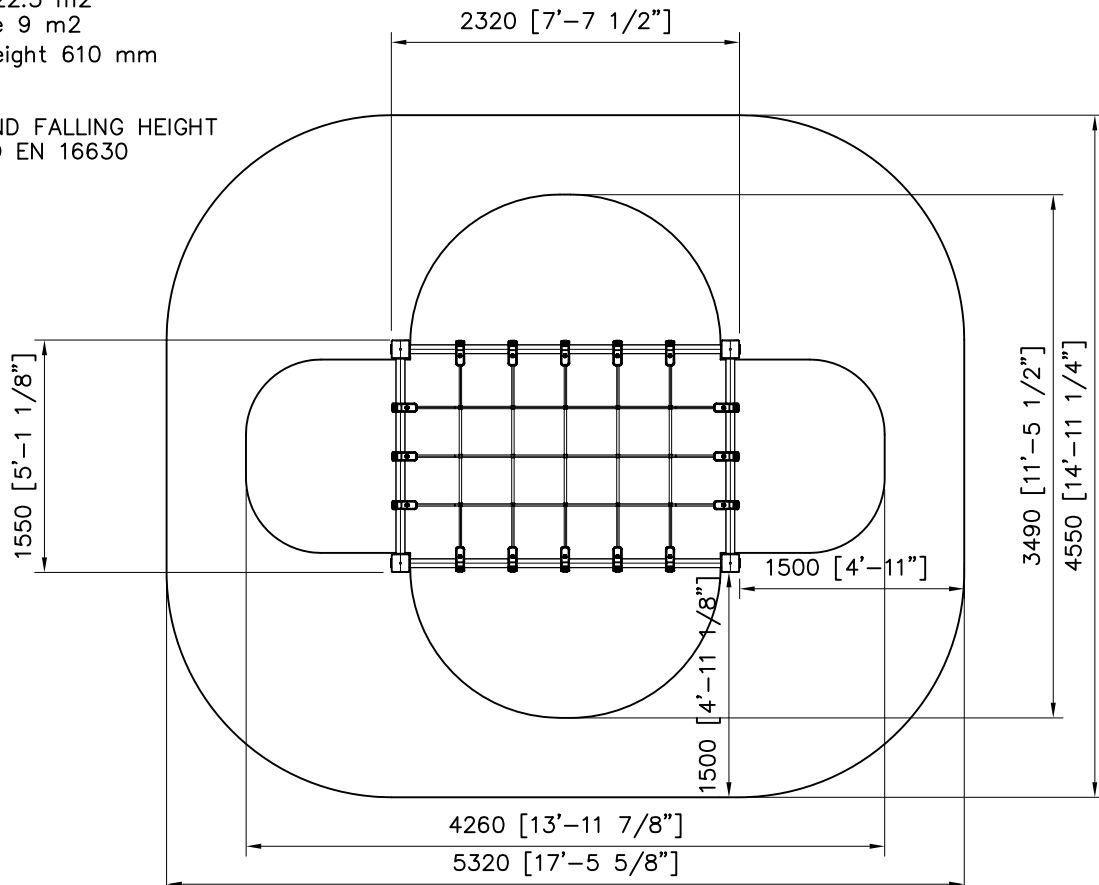
1: 24



Area of Movement 22.3 m<sup>2</sup>  
Impact Area 22.3 m<sup>2</sup>  
Training Space 9 m<sup>2</sup>  
Max Falling Height 610 mm

1: 50

ALL AREAS AND FALLING HEIGHT  
ACCORDING TO EN 16630



		
<p><b><math>h &lt; 600</math></b></p> <p>Without movement and therefore without Impact Area</p>	<p>Totally hard surfaces.</p> <p>Note. Lappset does <u>not recommend</u> totally hard surfaces at all.</p>	<p>E.g. concrete or asphalt</p> 
<p><b><math>h &lt; 600</math></b></p> <p>With movement e.g. rocking</p>	<p>Materials with very limited impact attenuating properties.</p>	<p>E.g. wood</p> 
<p><b><math>h &lt; 1000</math></b></p>	<p>Materials with significant impact attenuating properties.</p>	<p>fine gravel 0–8 mm</p>  <p>grass</p>  <p>unsorted sand</p> 
<p><b><math>h &lt; 3000</math></b></p>	<p>Loose fill material</p> <p>E.g. sand/gravel 0,25...8 mm D60/D10&lt;3,0 Woodchips 5...30 mm bark 20...80 mm</p>	 <p><math>\underline{S}</math>                      <math>\underline{h}</math></p> <p>30 cm                      &lt; 2,0 m</p> <p>40 cm                      &lt; 3,0 m</p>
	<p>Syntethic granulates</p> <p><math>\underline{S}</math>                      <math>\underline{h}</math></p> <p>40 mm ~&gt; 1,2...1,3 m</p> <p>50 mm ~&gt; 1,5...1,7 m</p> <p>60 mm ~&gt; 1,8...2,0 m</p> <p>70 mm ~&gt; 2,1...2,5 m</p> <p>Note. For accurate values, see manufacturer's instructions.</p>	

REMOVE SAFETY SURFACE/SAND/GRAVEL  
TO CHECK FOUNDATION



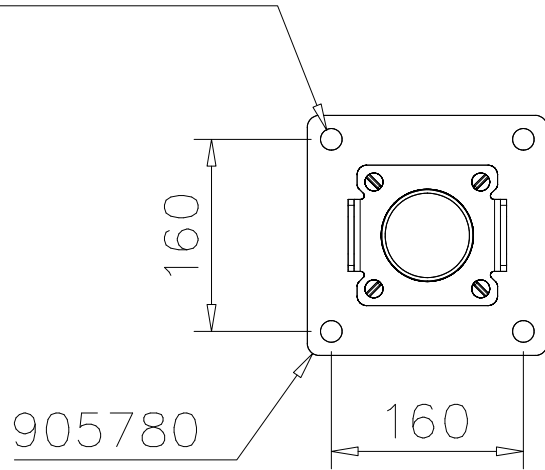
REMOVE SAFETY SURFACE/SAND/GRAVEL  
TO CHECK FOUNDATION



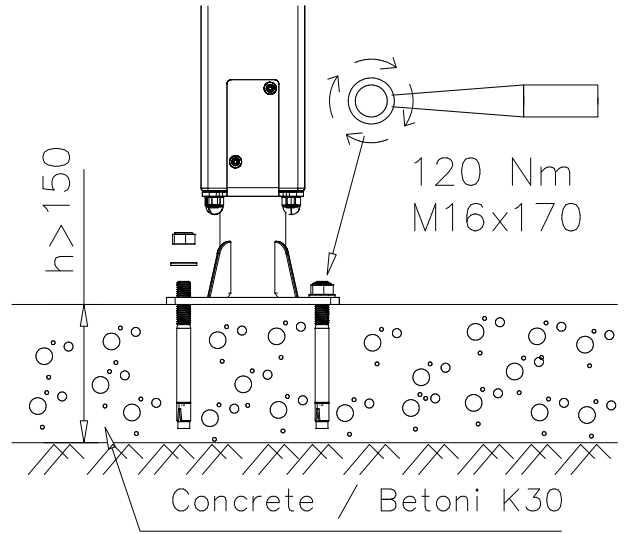


DET 1

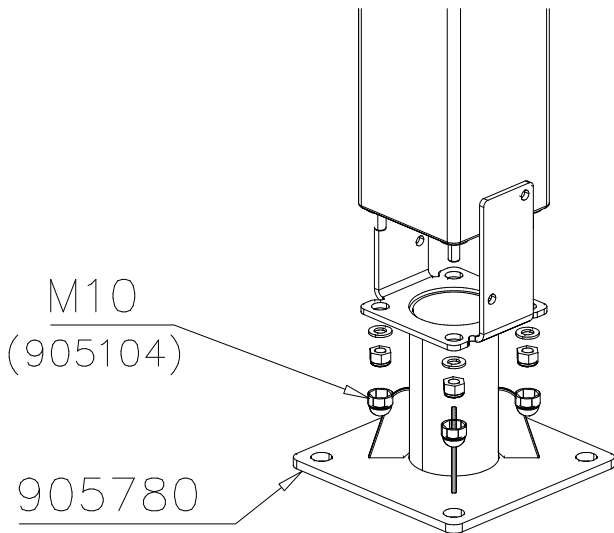
$\varnothing 16 \downarrow > 130$



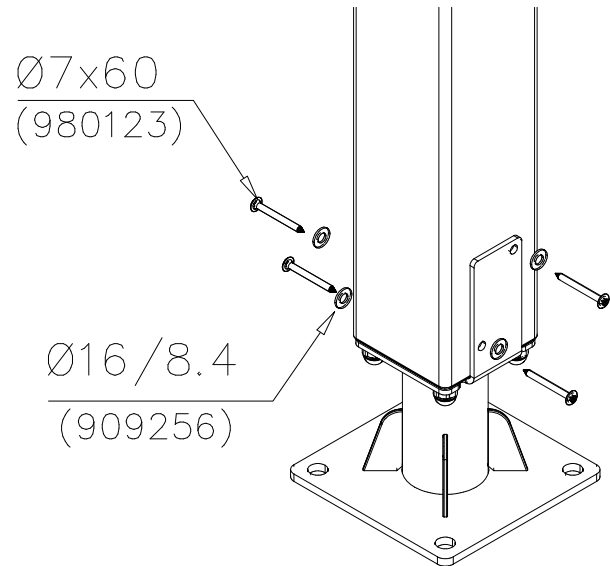
DET 2



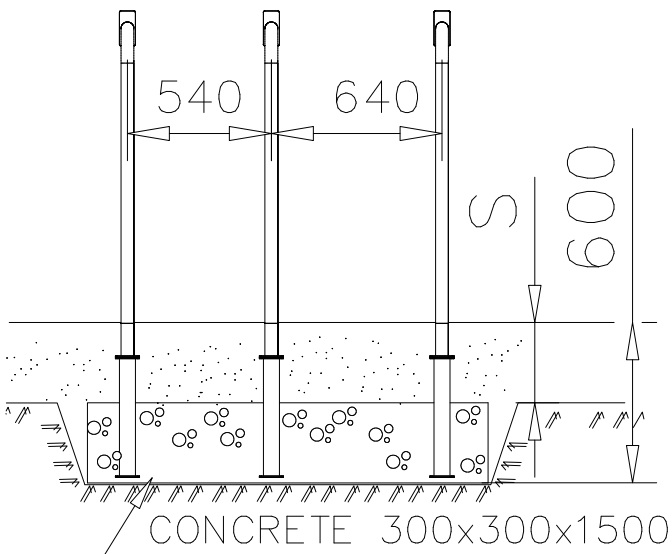
DET 3



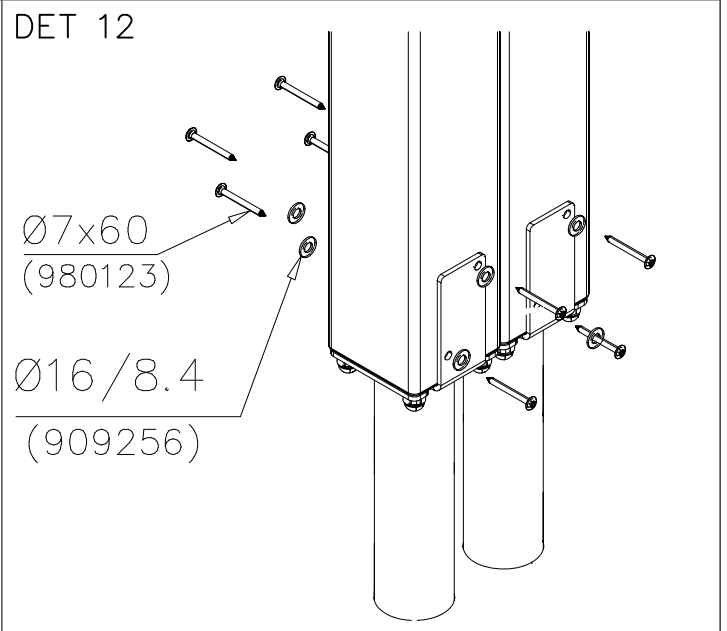
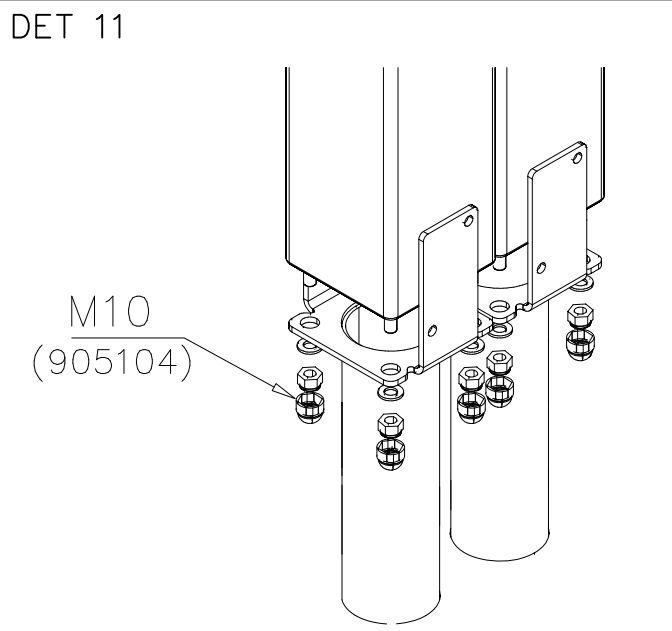
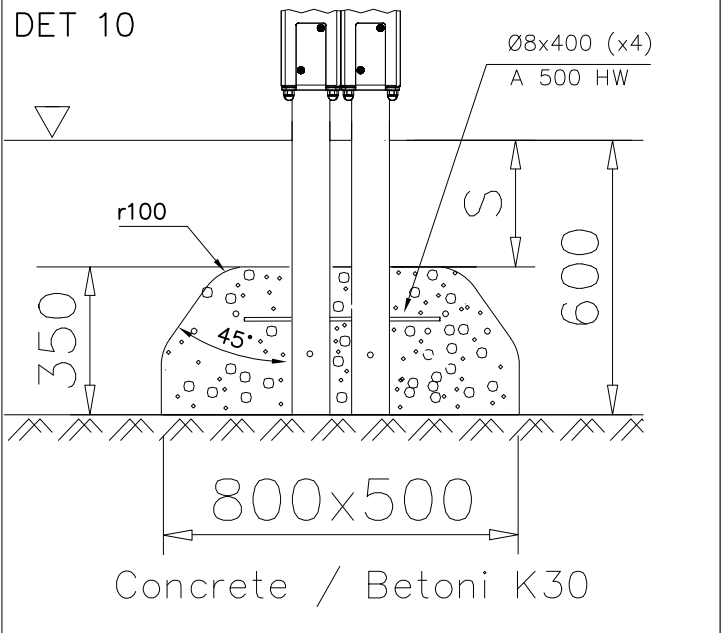
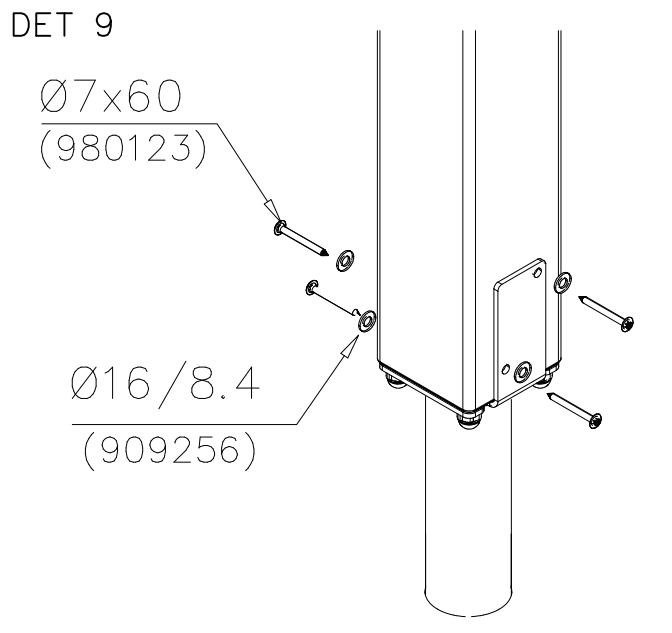
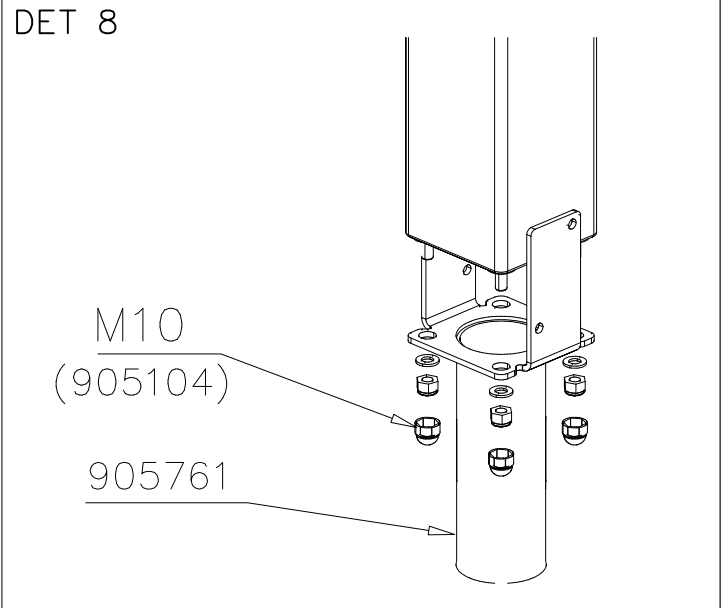
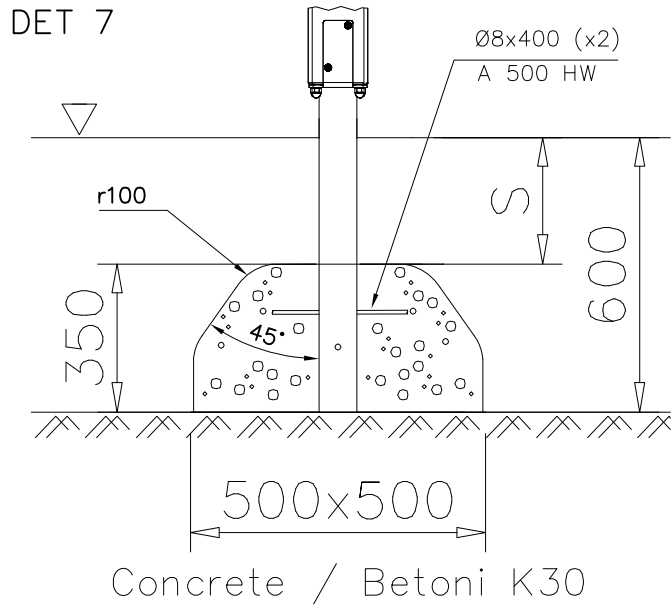
DET 4



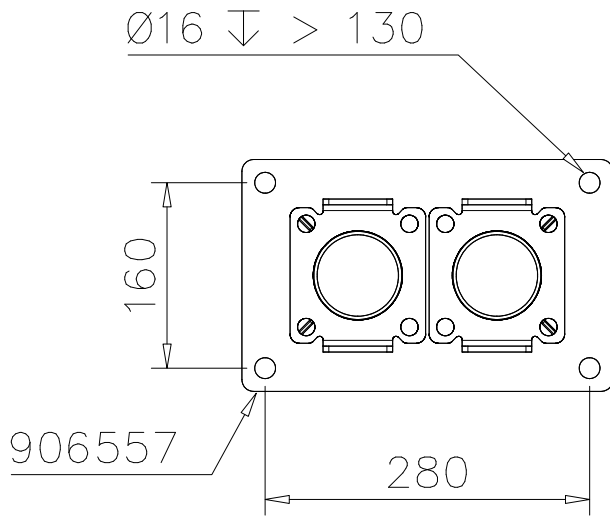
DET 5



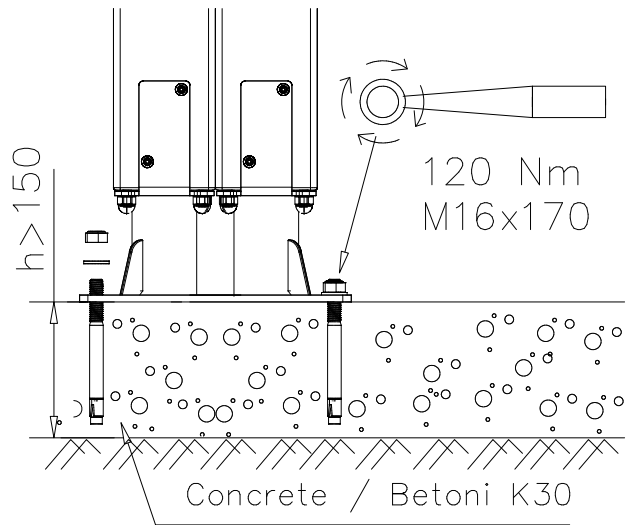
DET 6



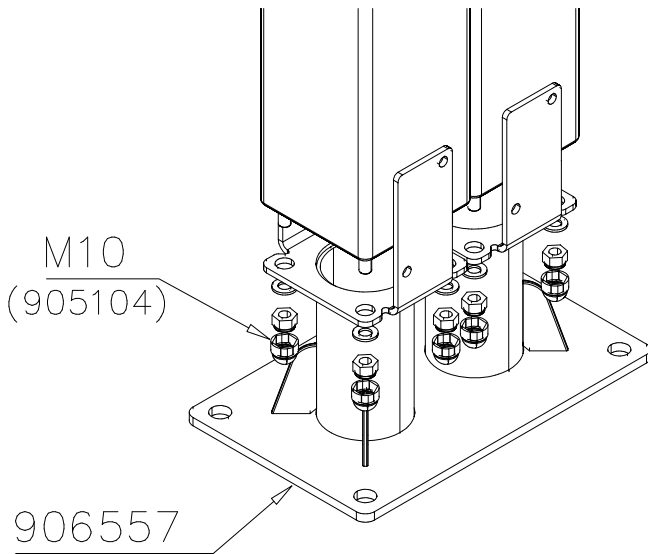
DET 13



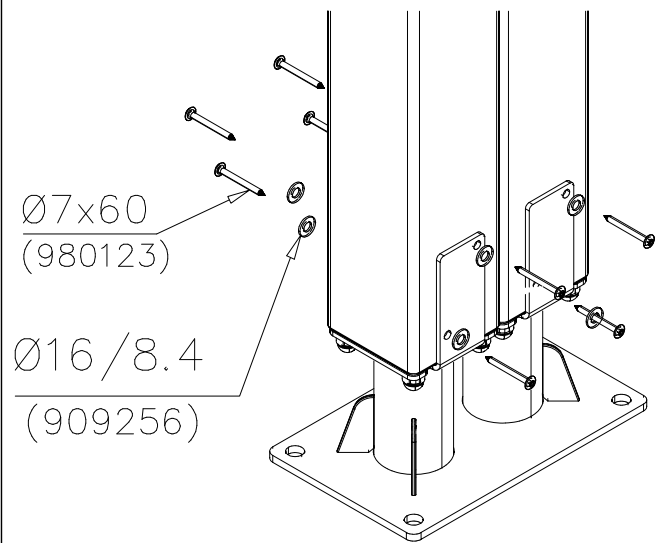
DET 14



DET 15

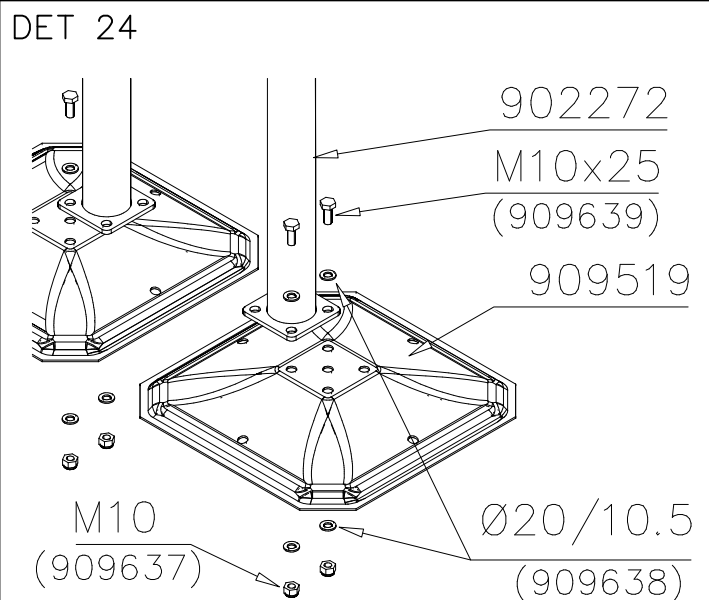
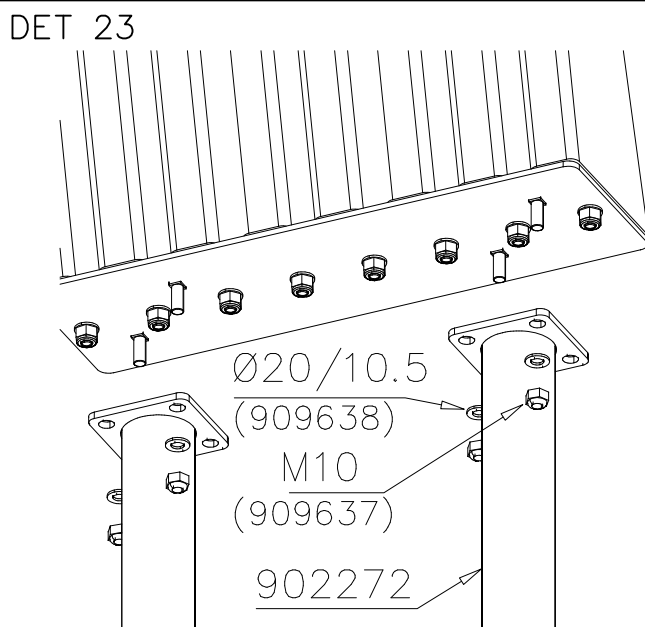
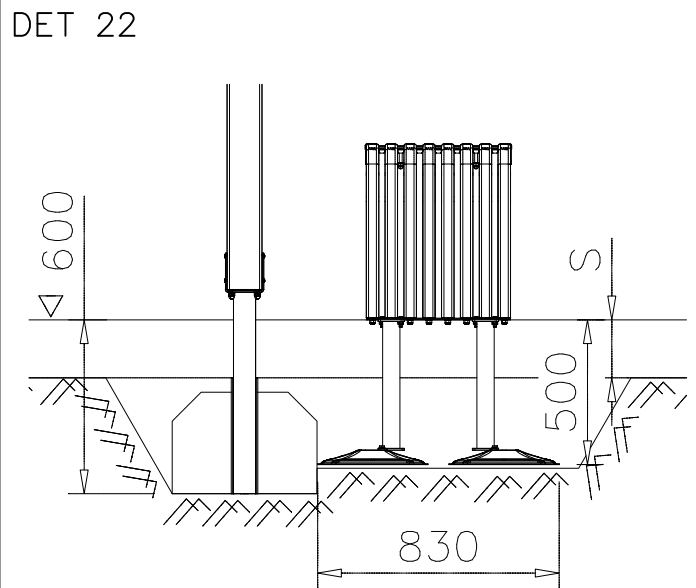
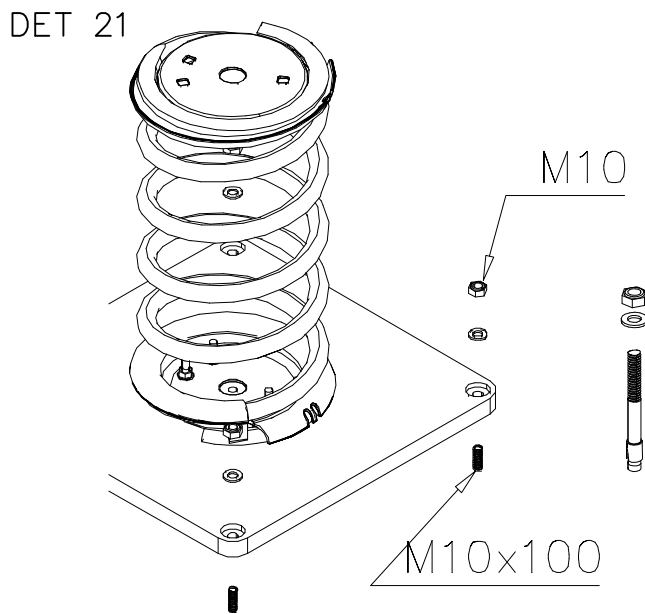
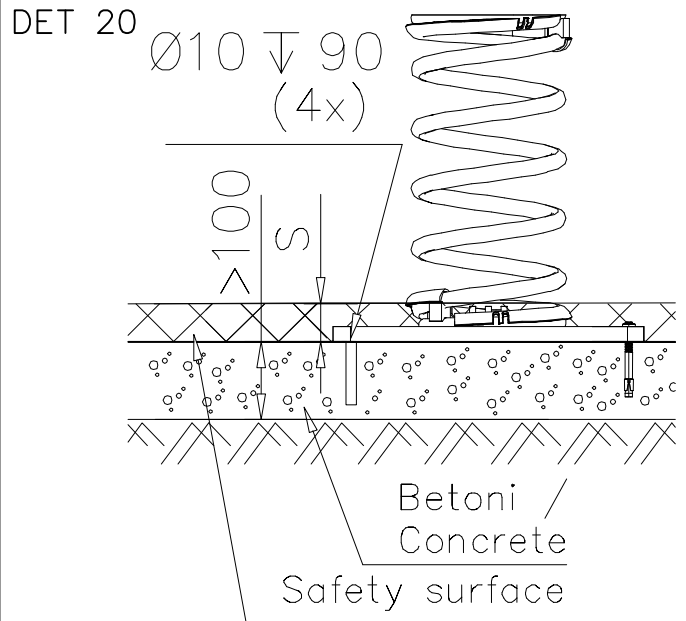
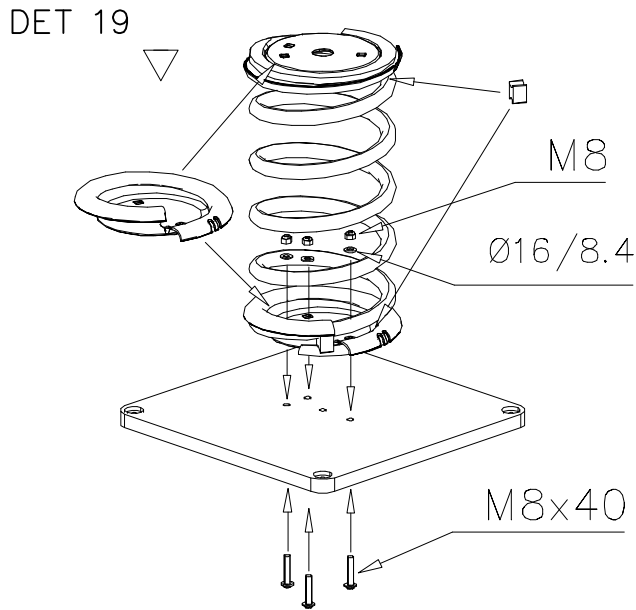


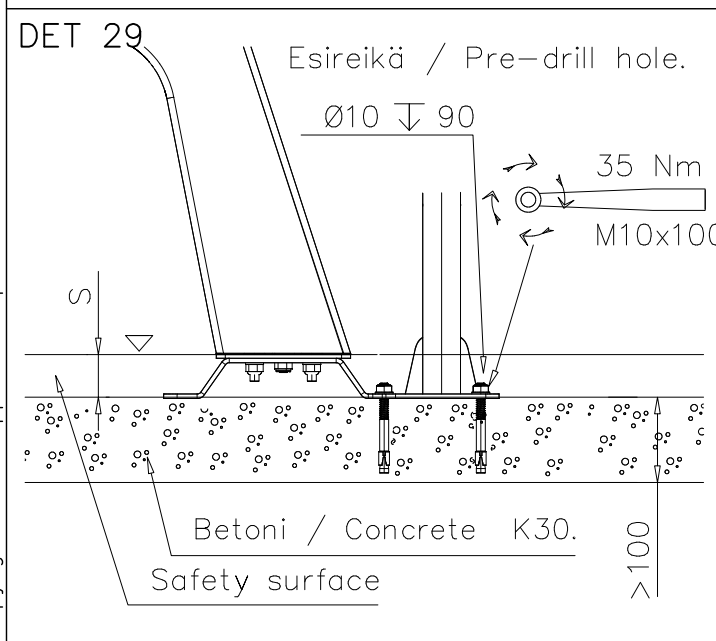
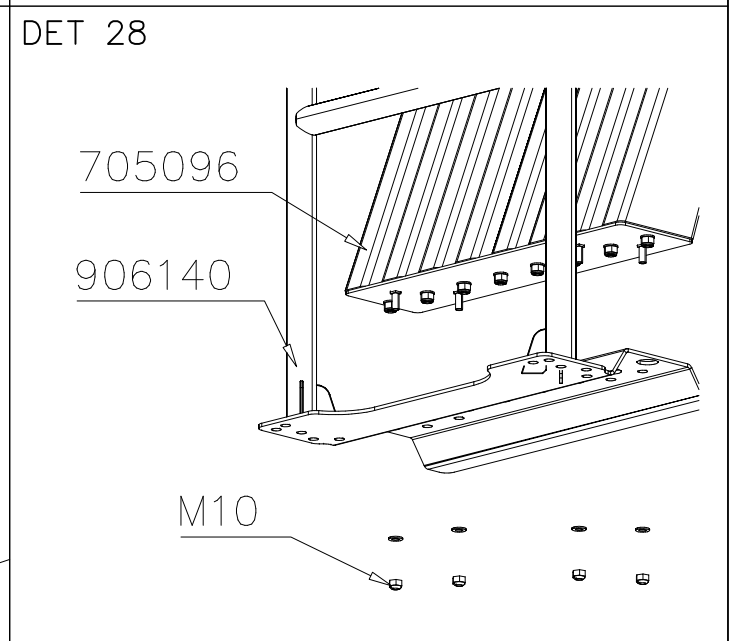
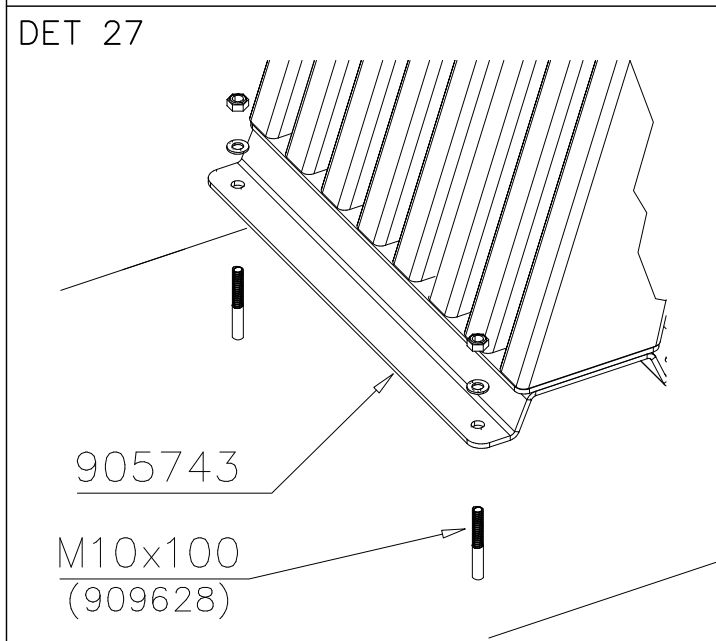
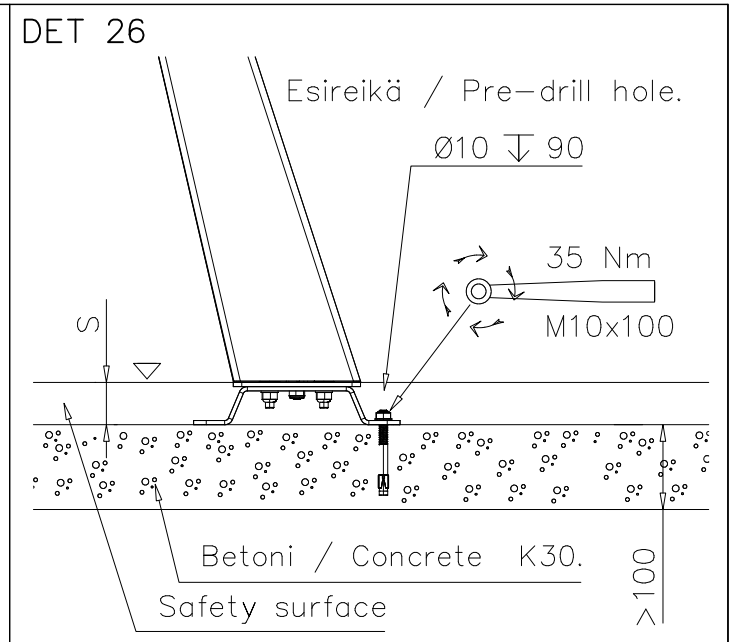
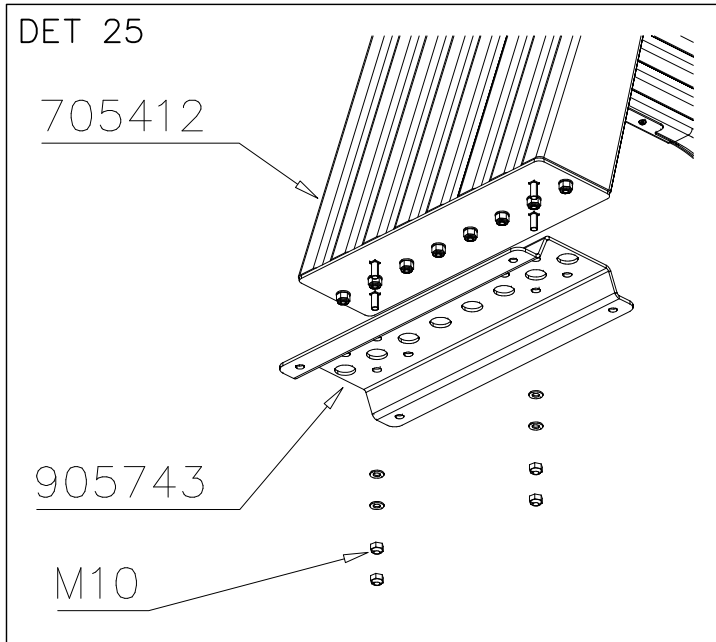
DET 16



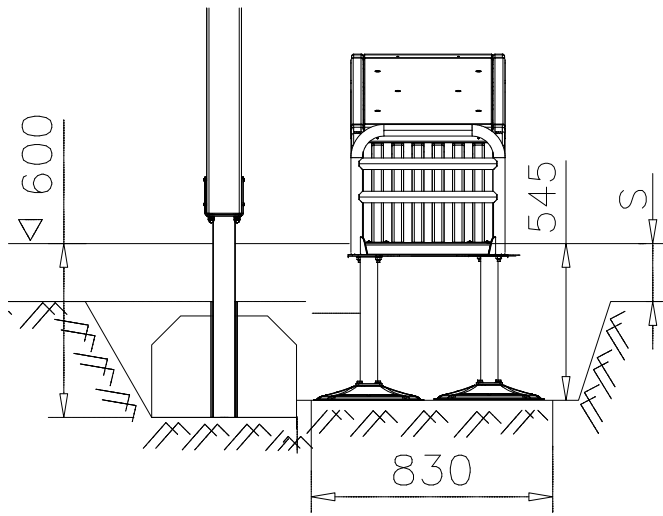
DET 17

DET 18

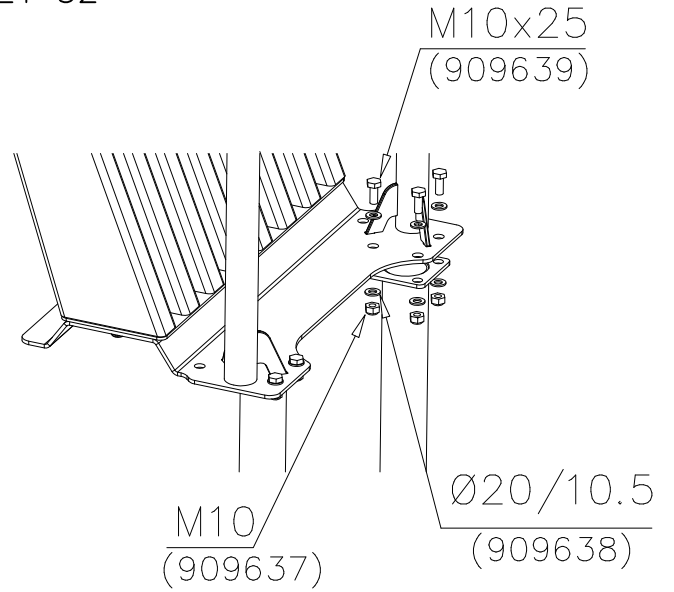




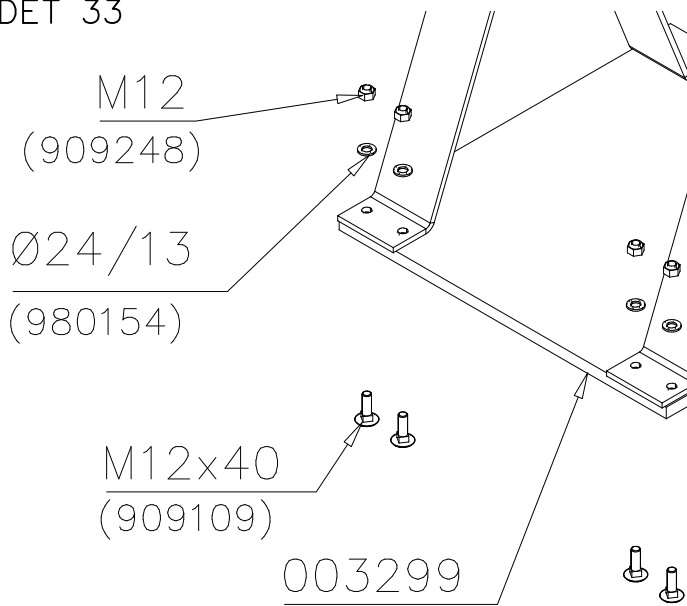
DET 31



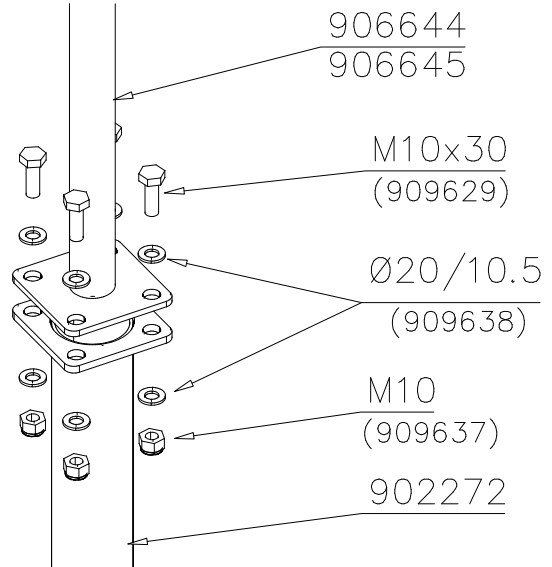
DET 32



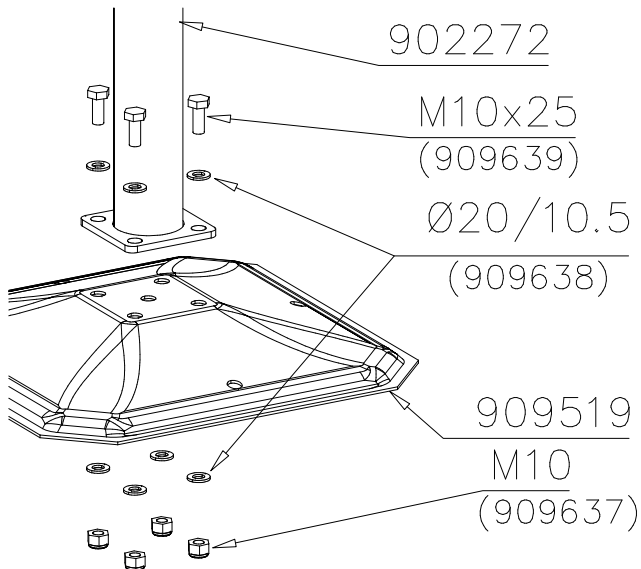
DET 33



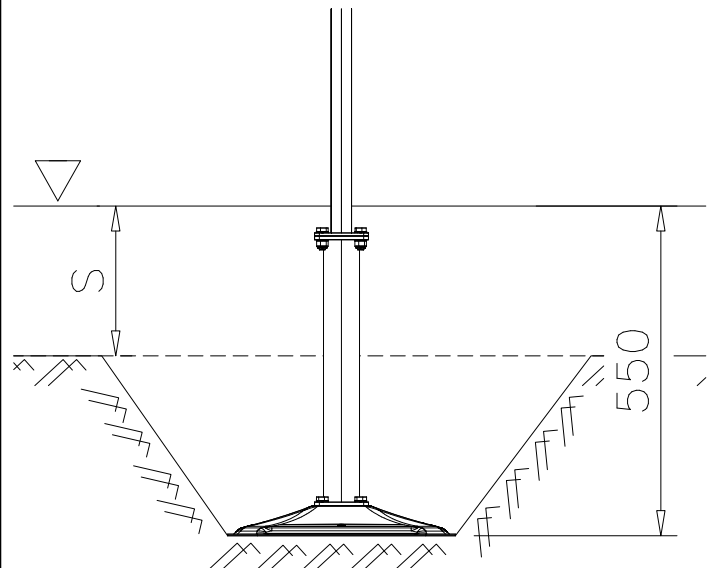
DET 34



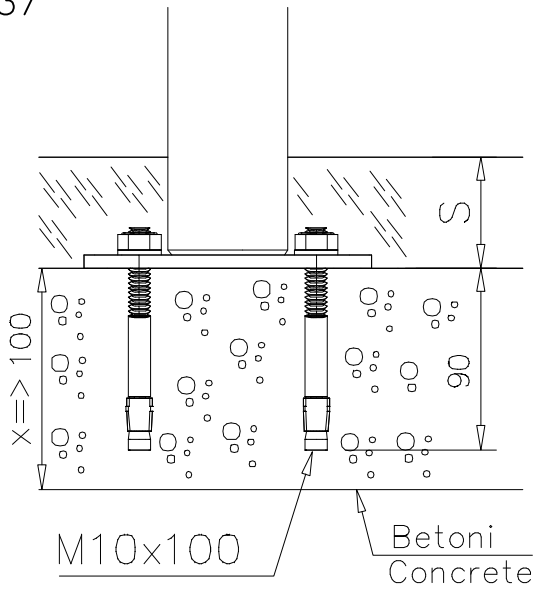
DET 35



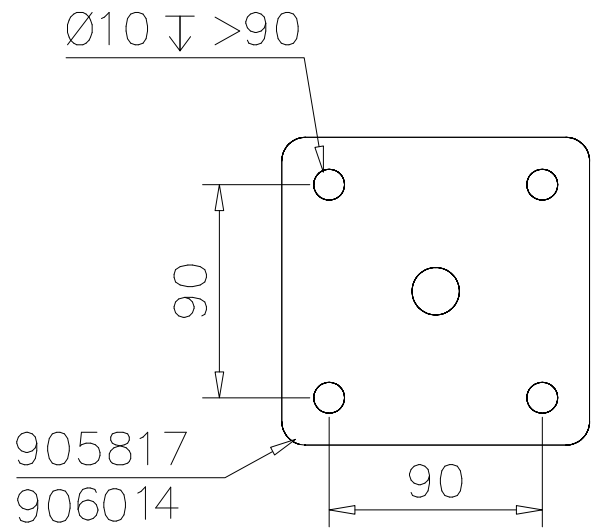
DET 36



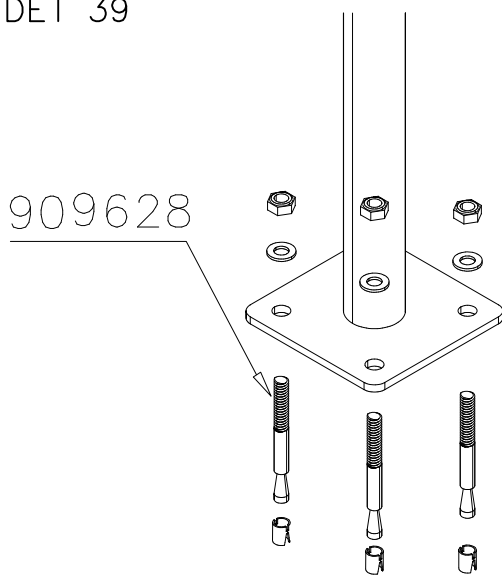
DET 37



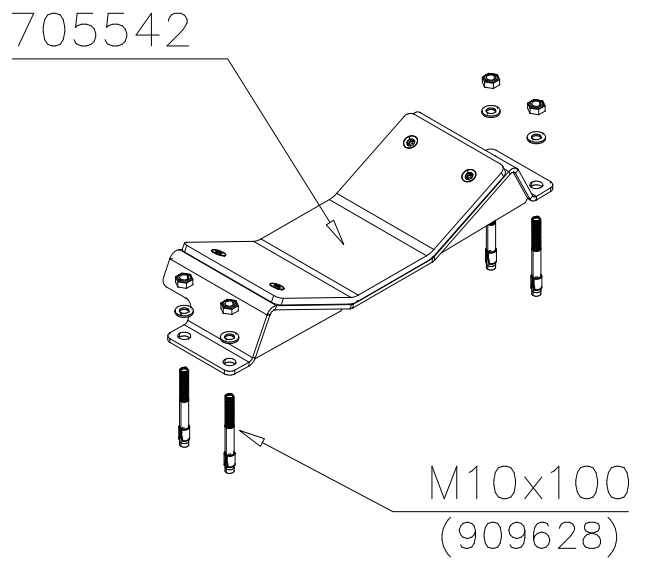
DET 38



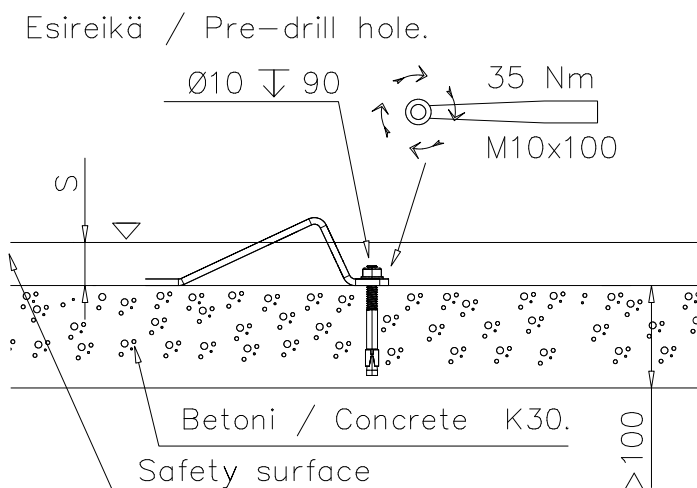
DET 39



DET 40



DET 41



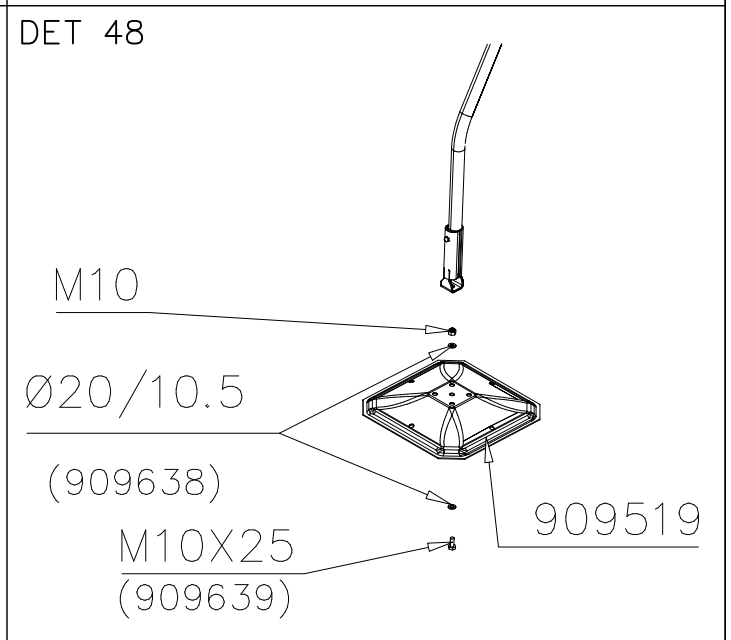
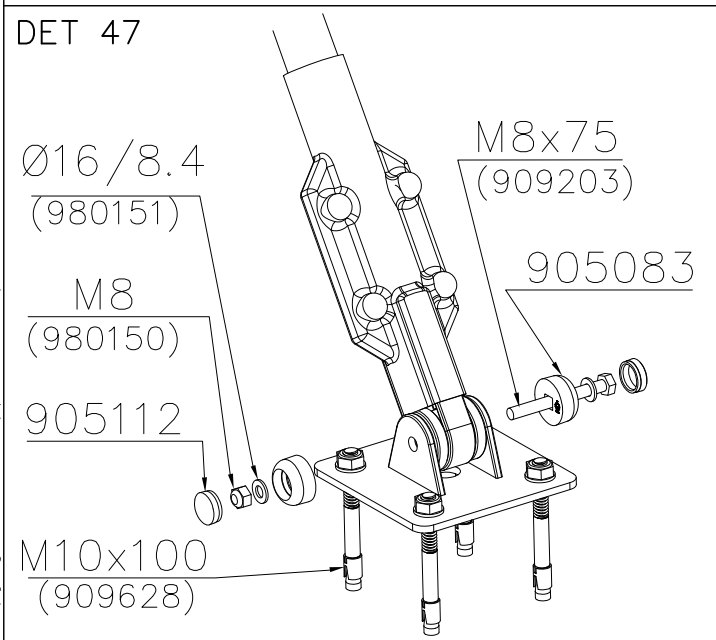
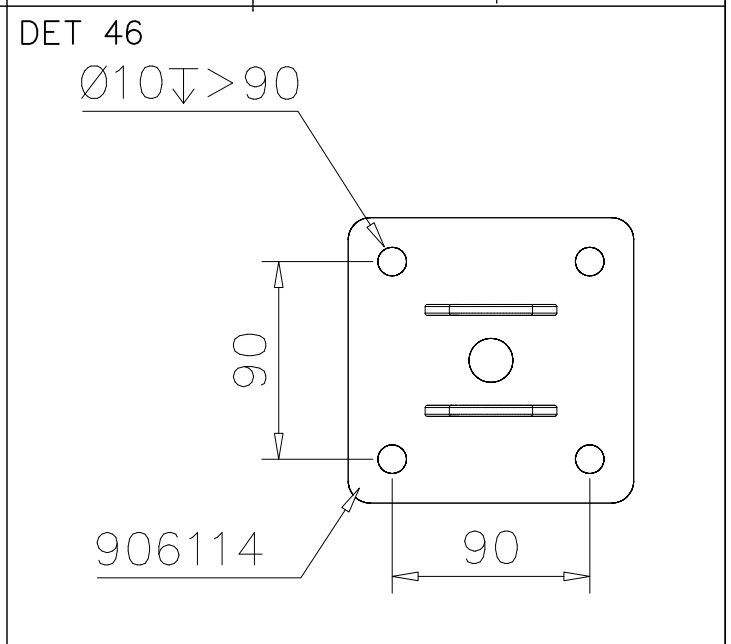
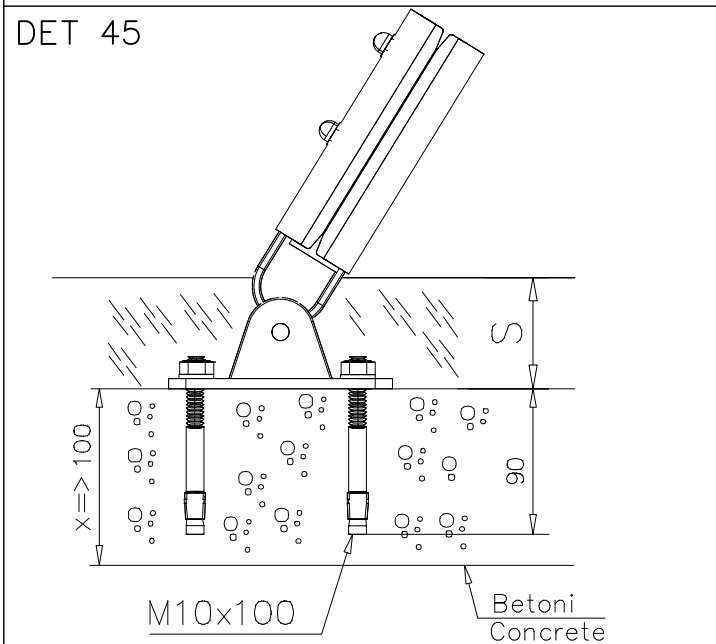
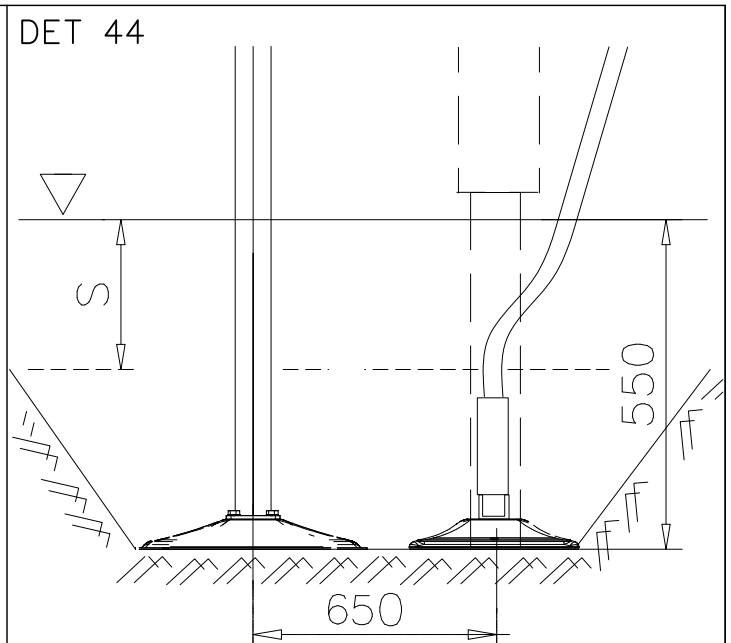
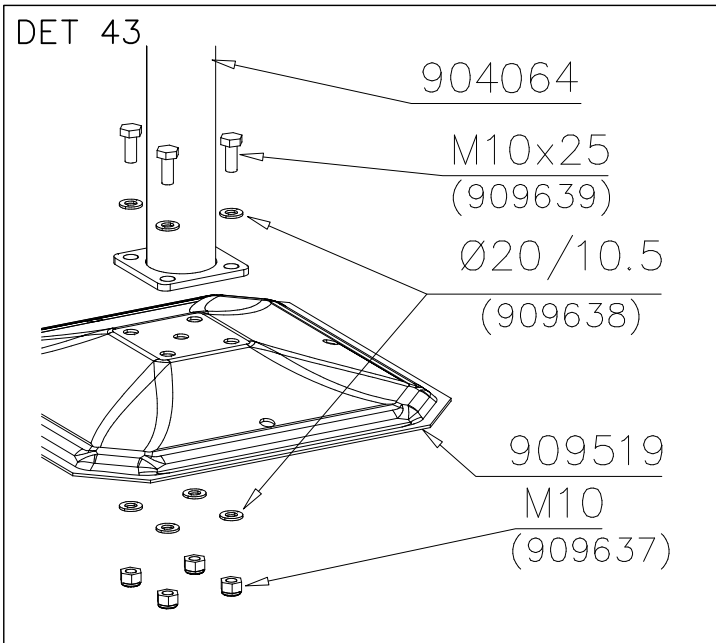
DET 42

# LAPPSET SPORT

# BASE

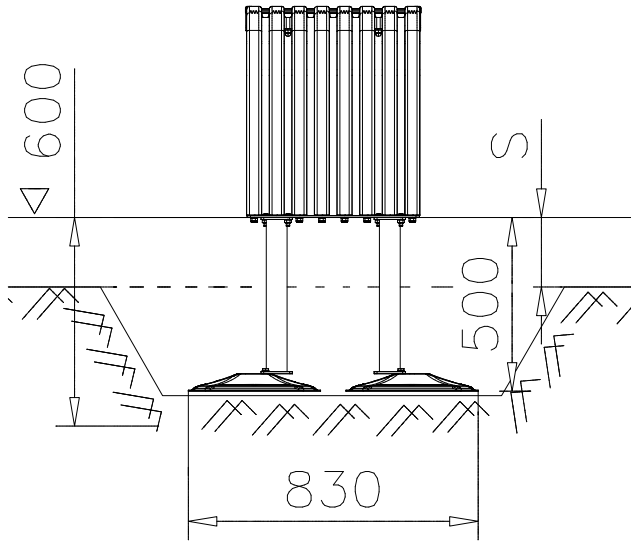
DATE: 15.8.2017

8(10)

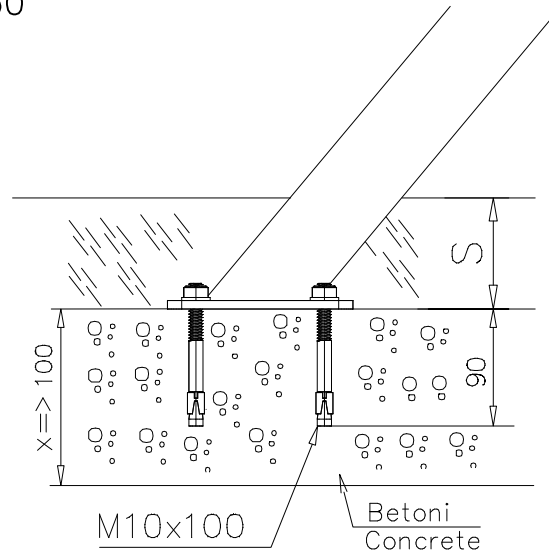




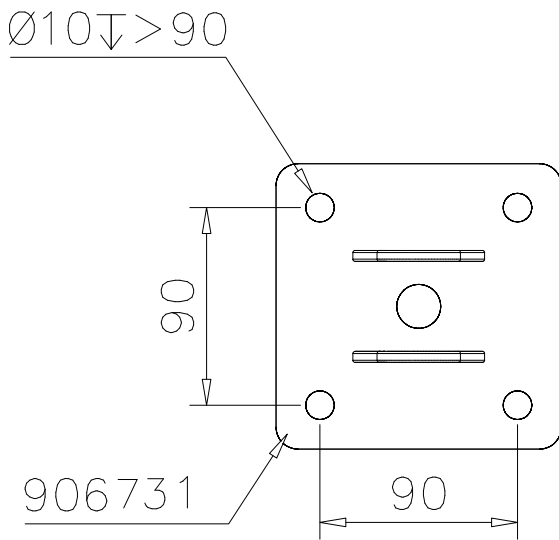
DET 49



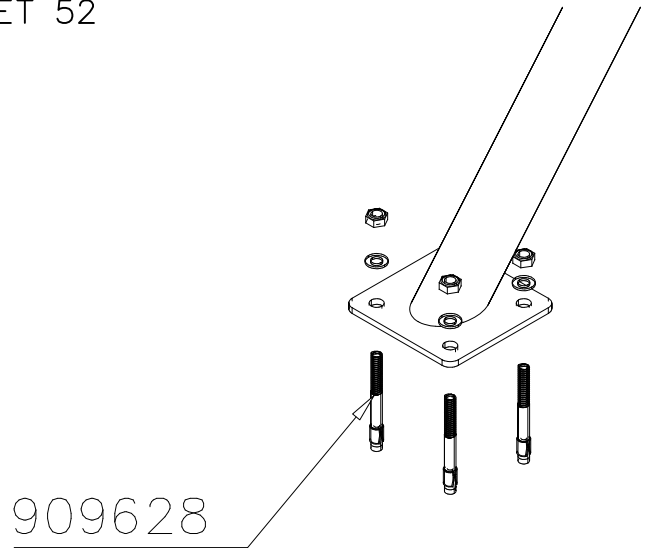
DET 50



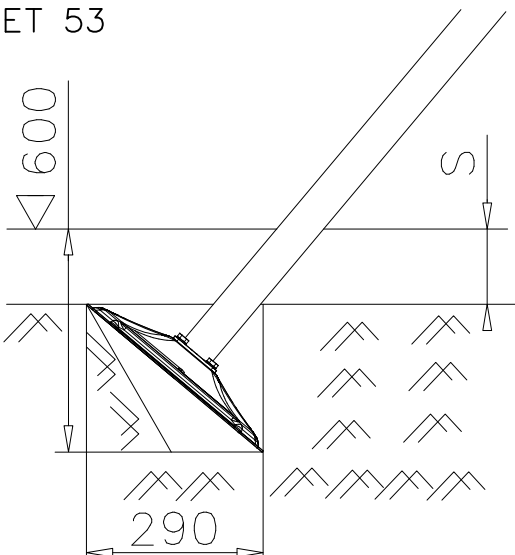
DET 51



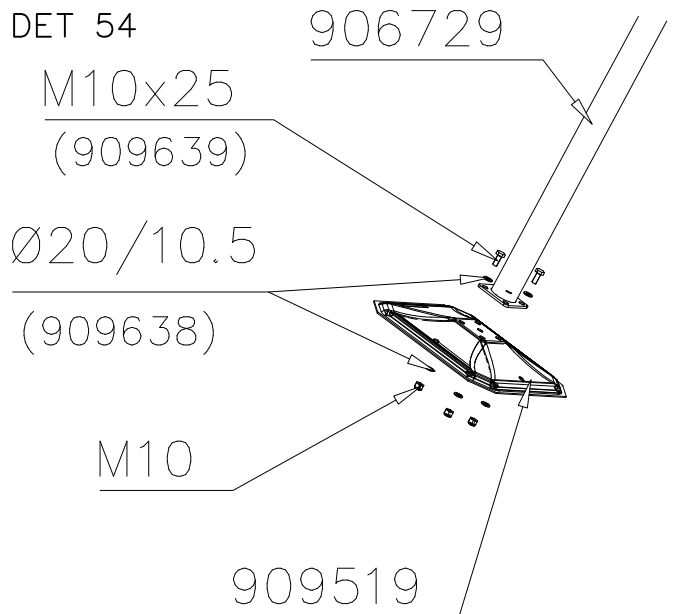
DET 52



DET 53

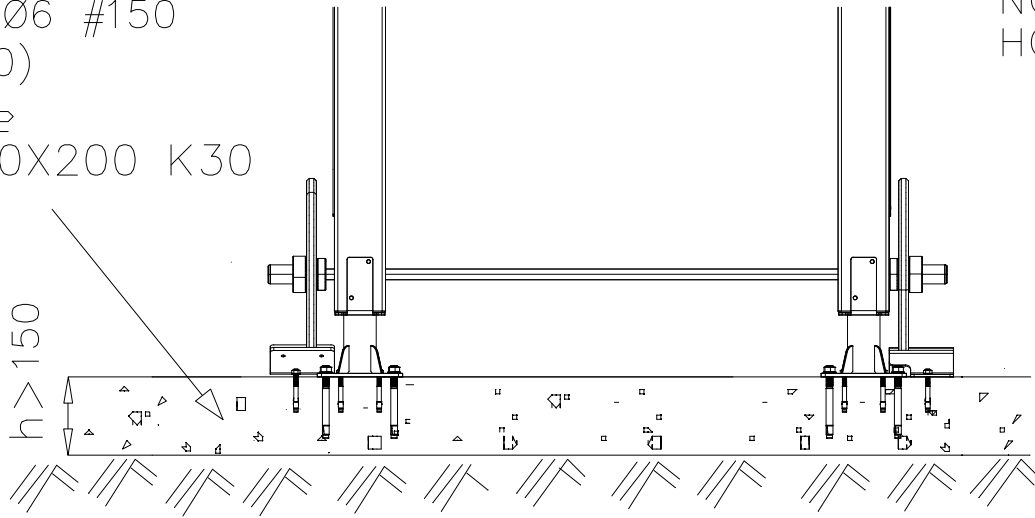


DET 54



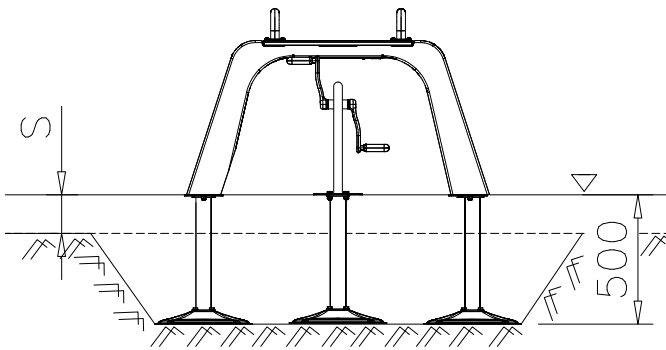
DET 55

STEELNET Ø6 #150  
(1400x2100)  
Concrete  
1500X2200X200 K30

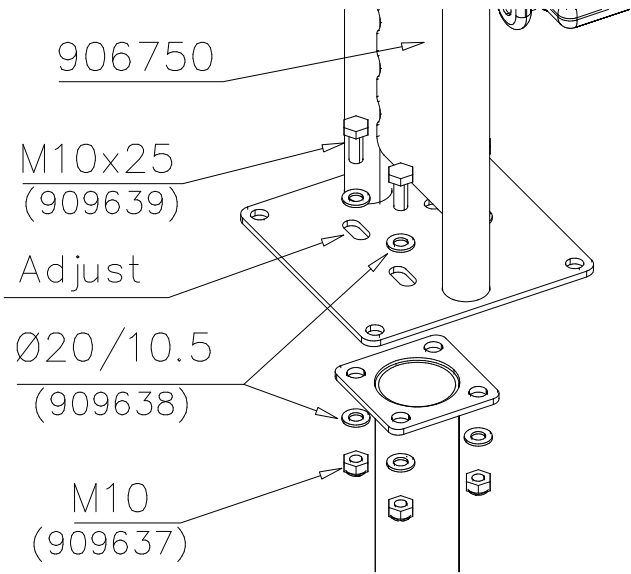


NOTE!  
HOX!

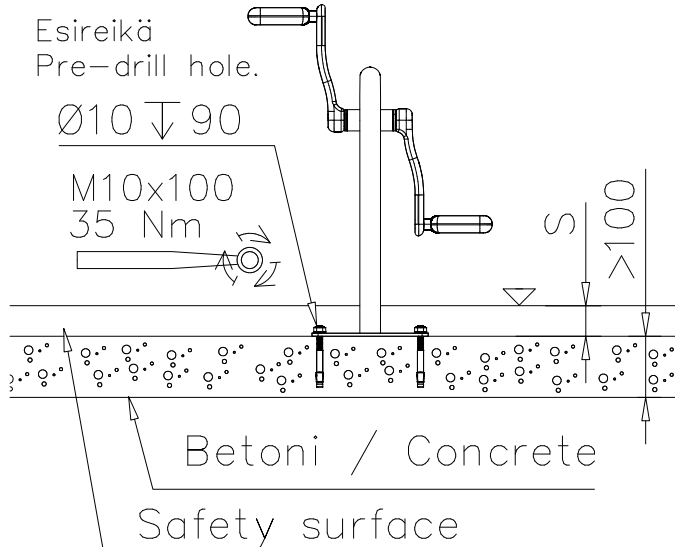
DET 56



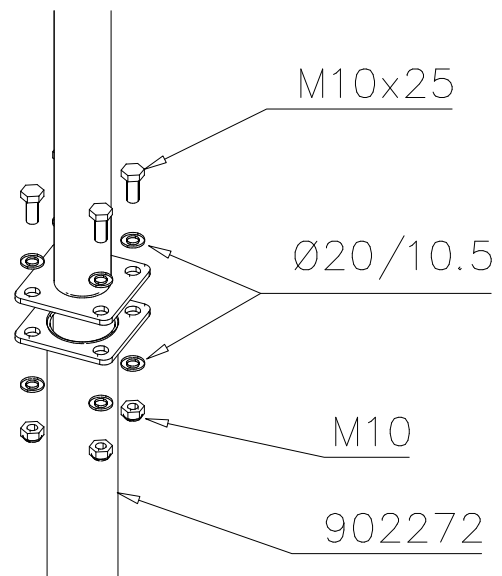
DET 57



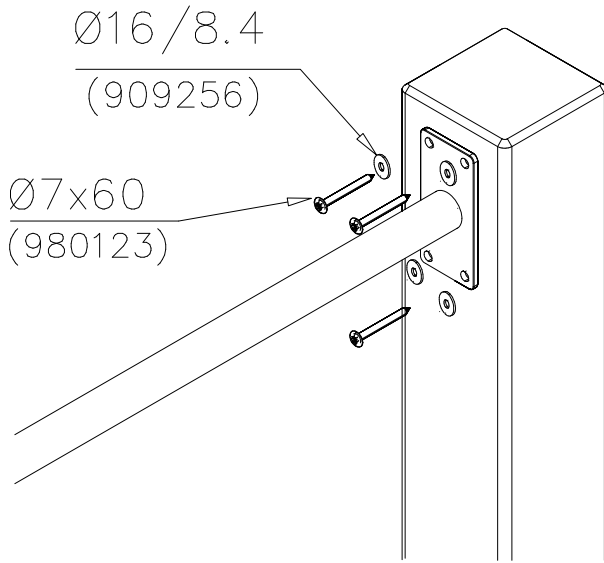
DET 58



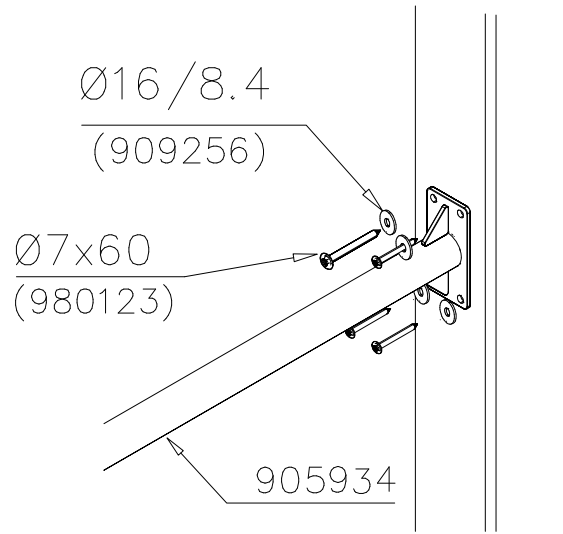
DET 59



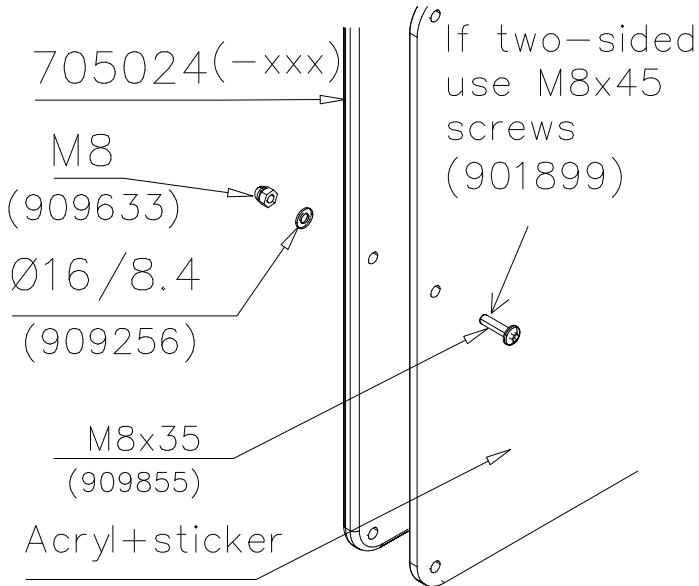
DET 1



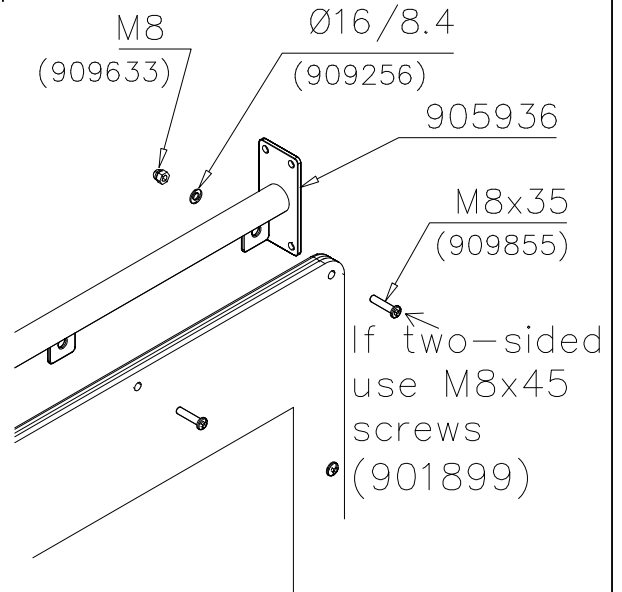
DET 2



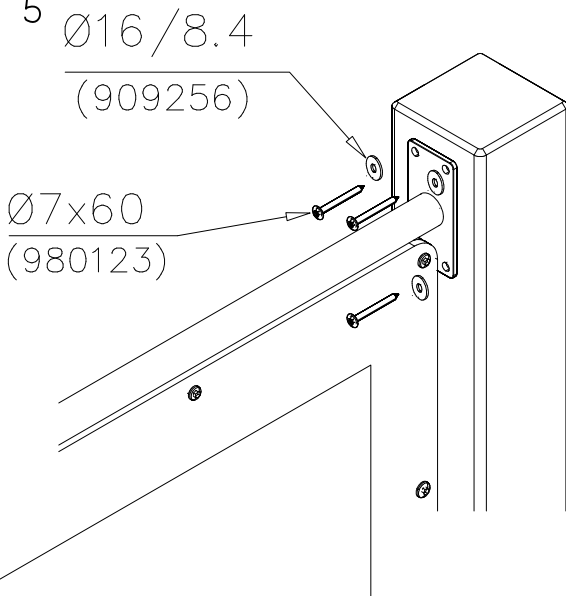
DET 3



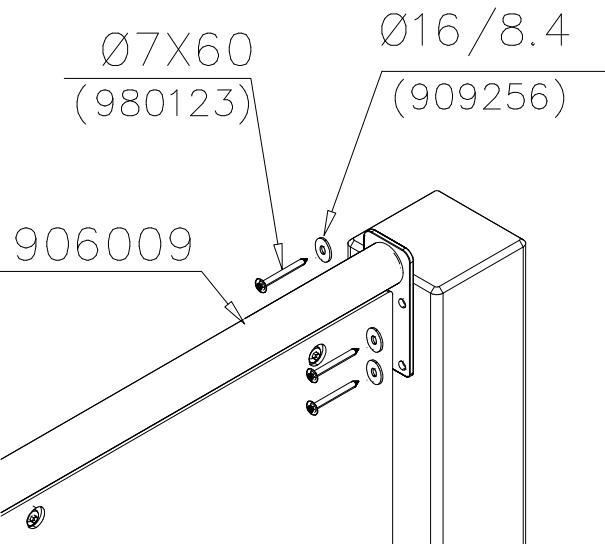
DET 4

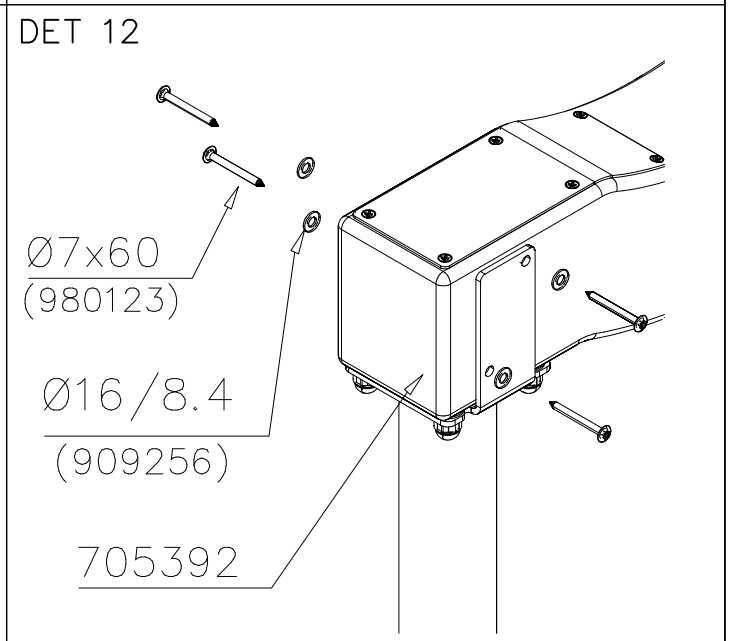
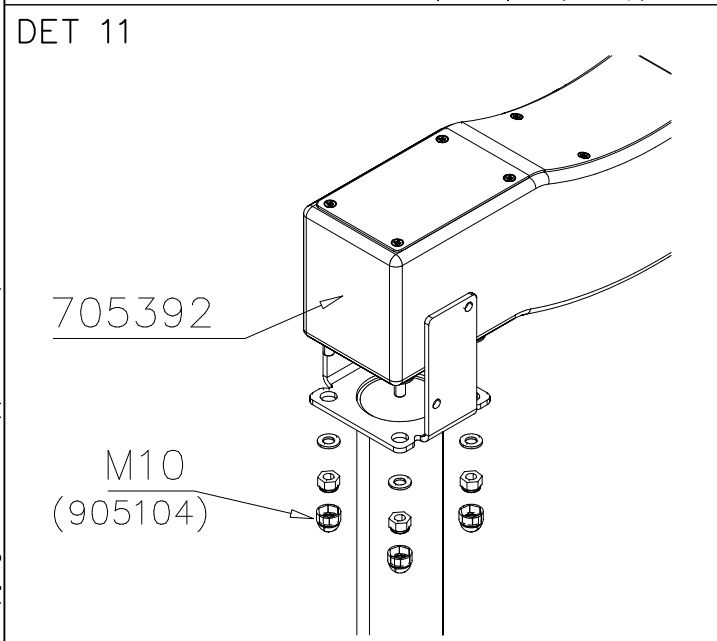
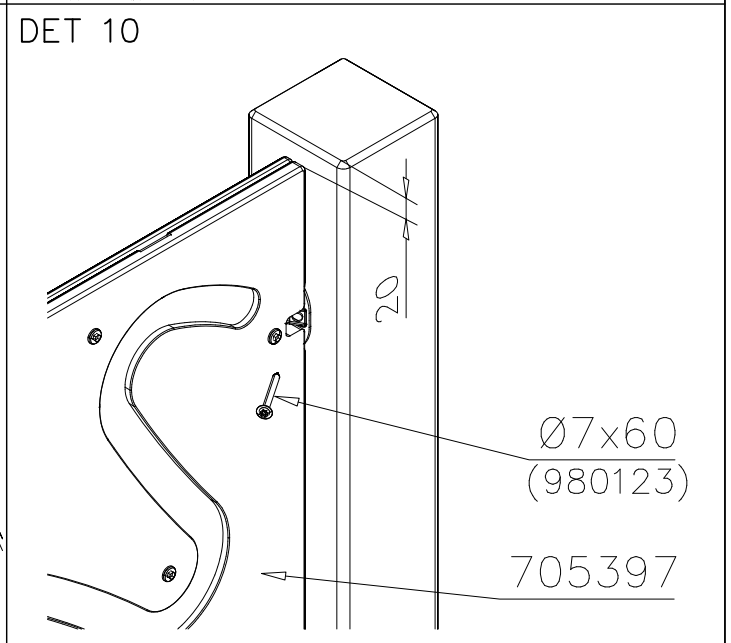
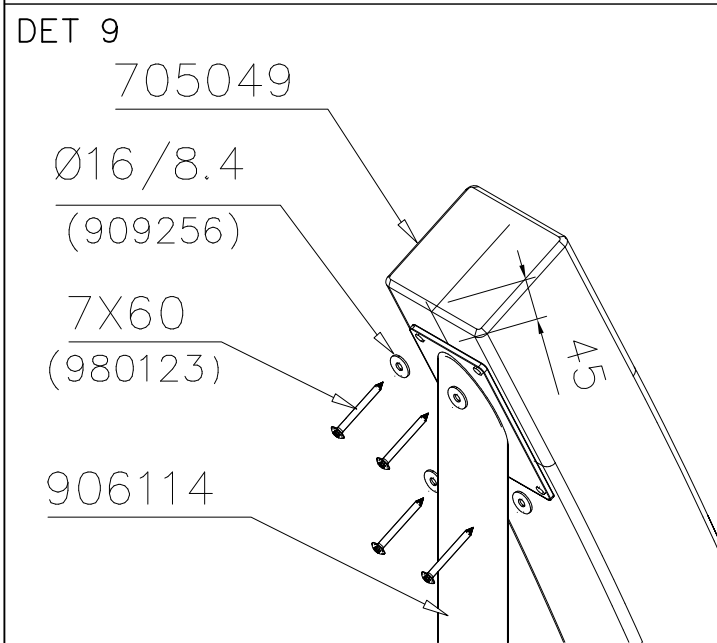
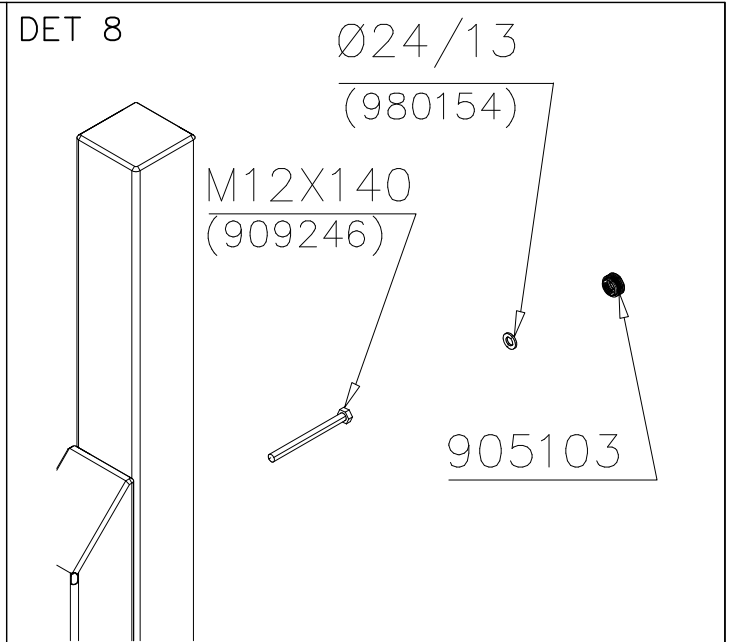
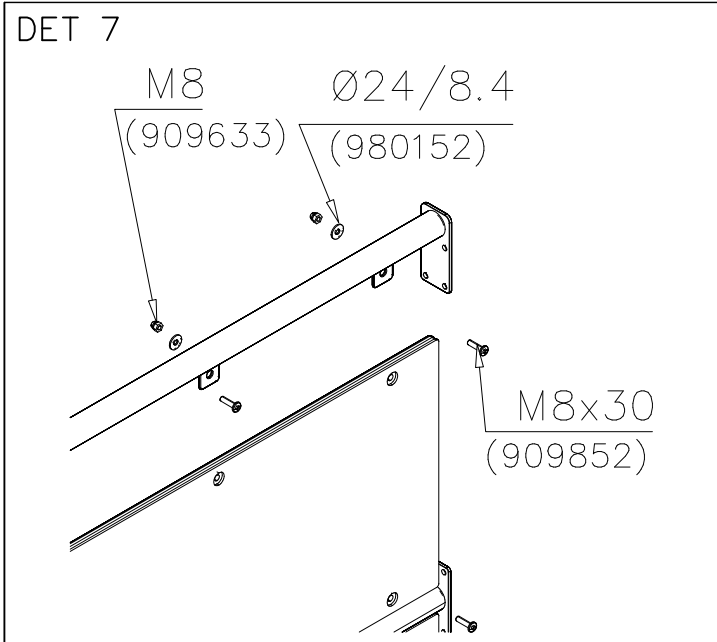


DET 5

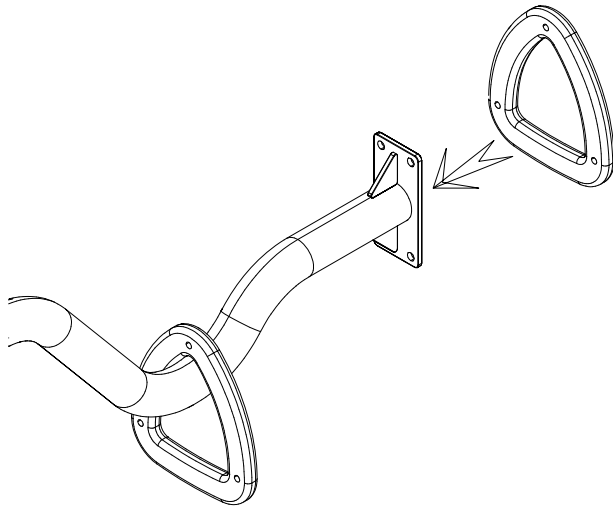


DET 6

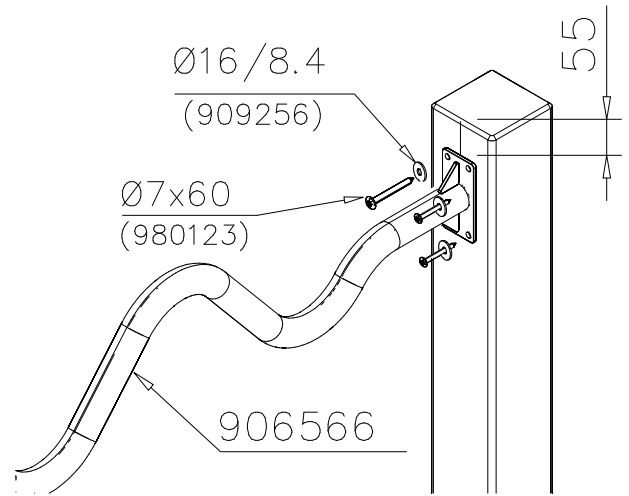




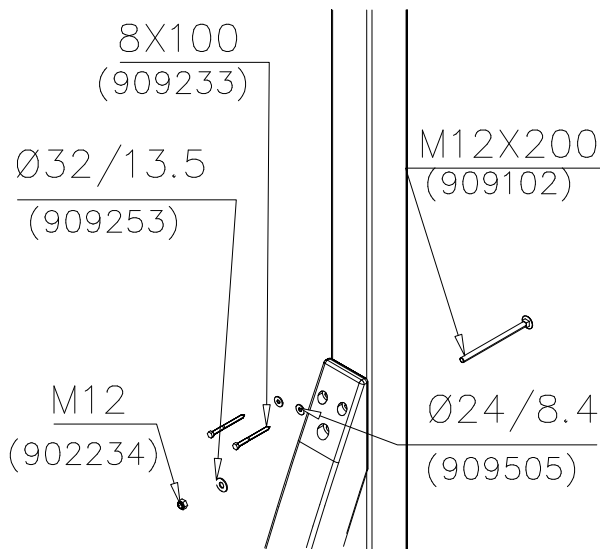
DET 13



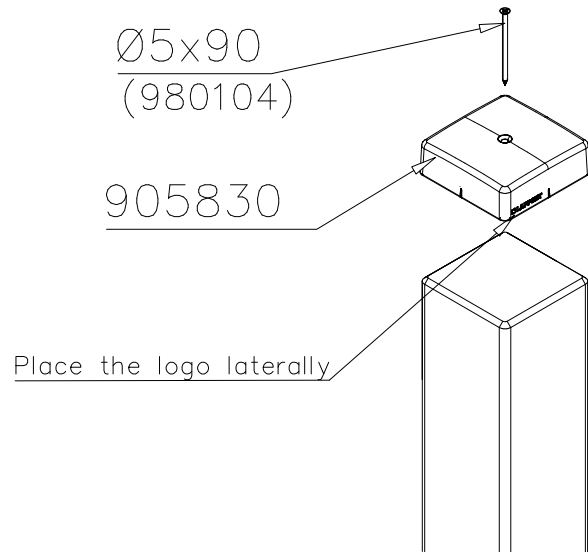
DET 14



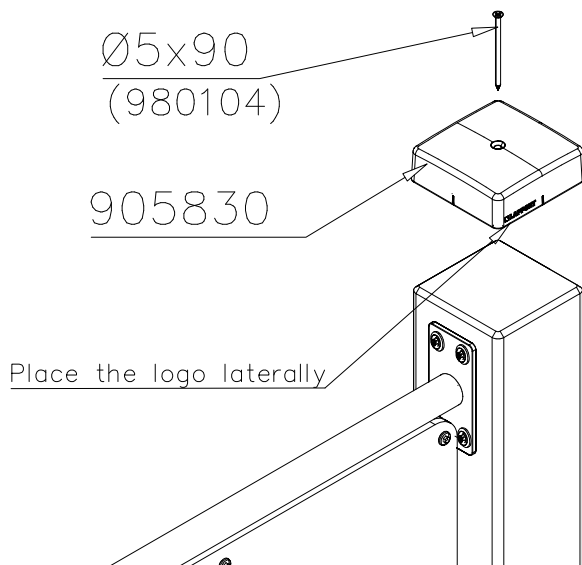
DET 15



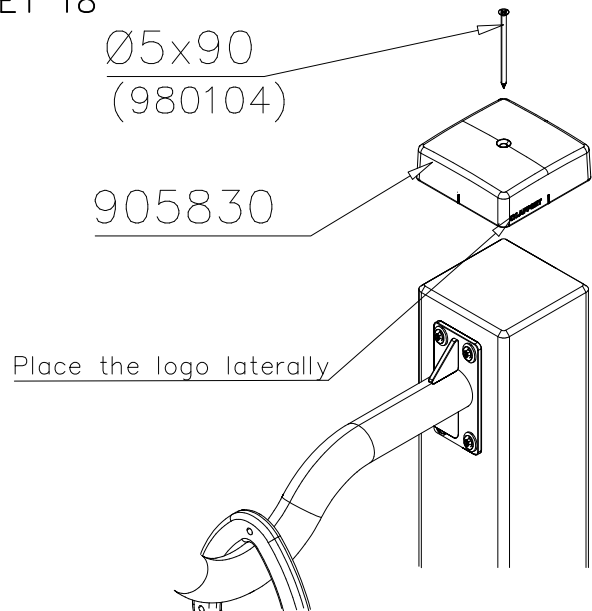
DET 16

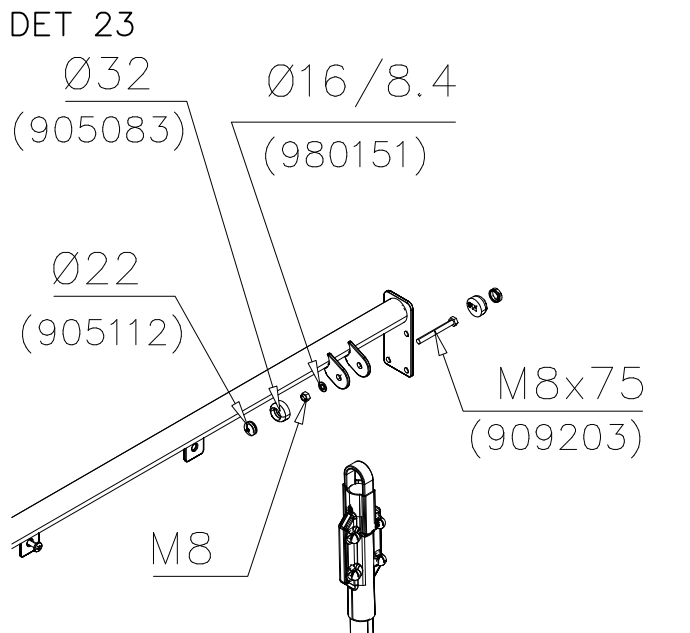
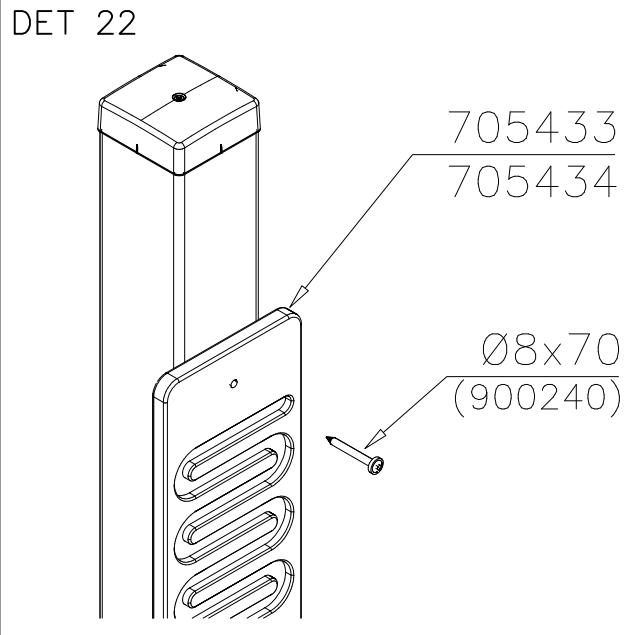
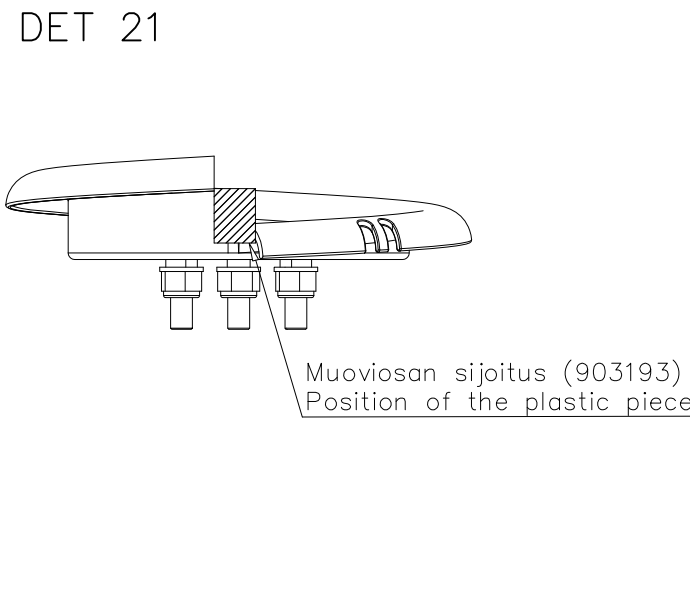
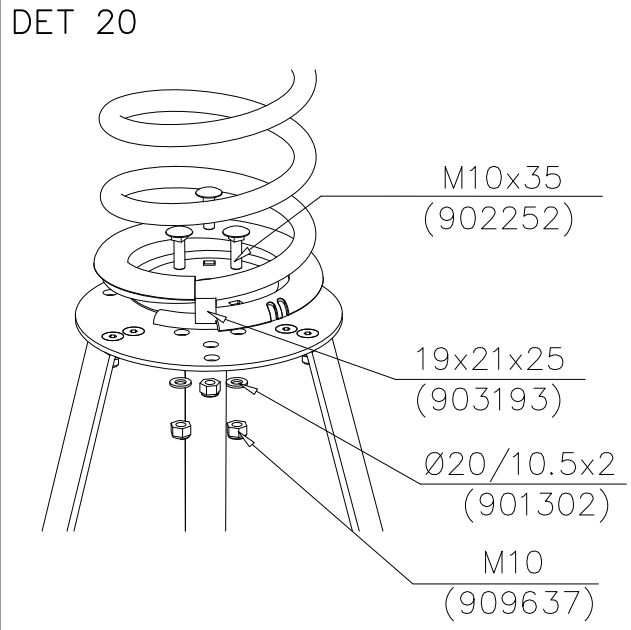
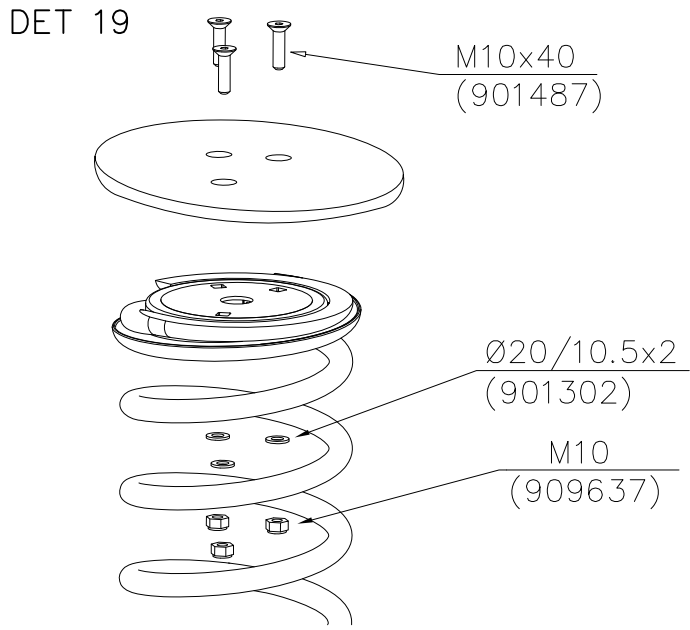


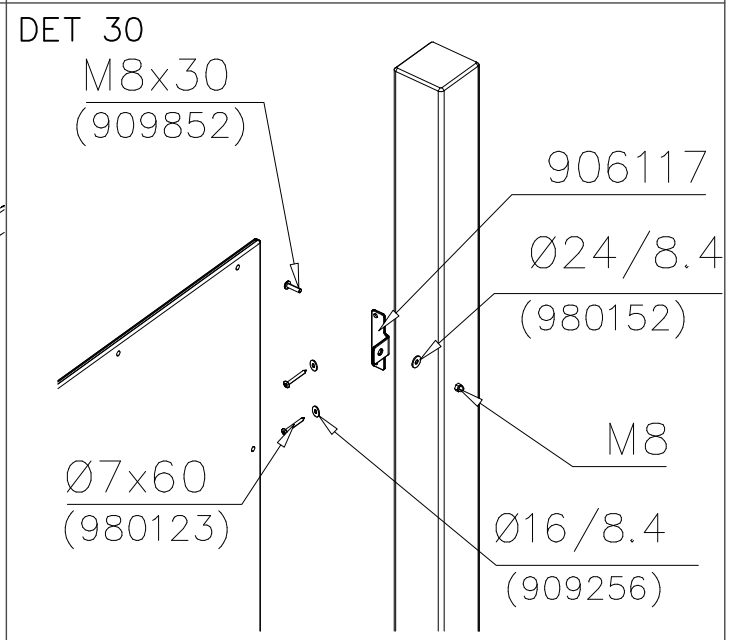
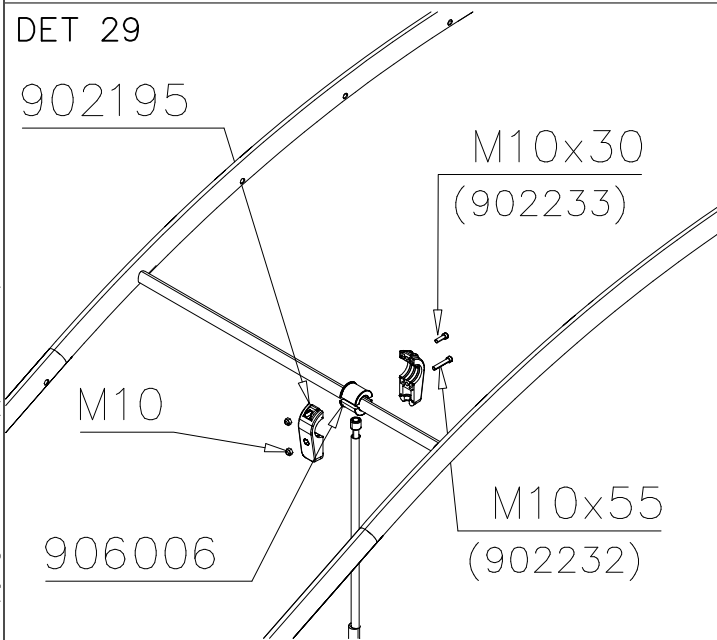
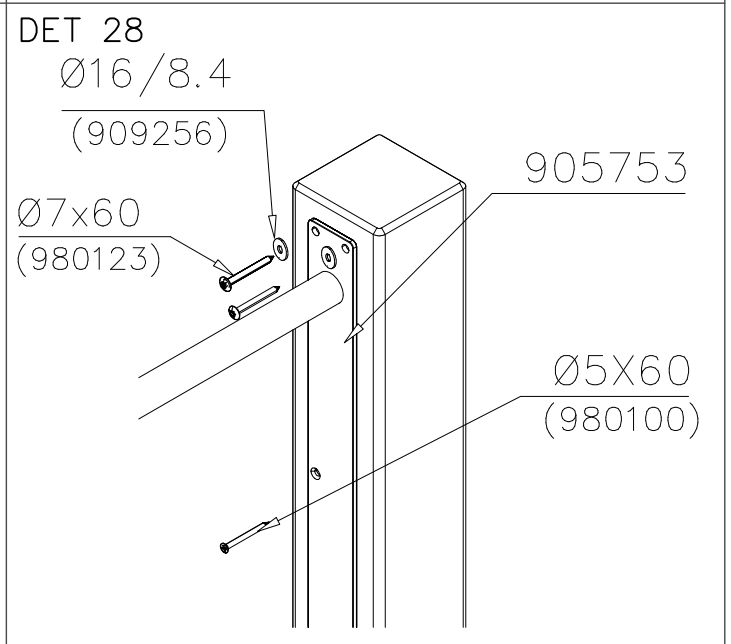
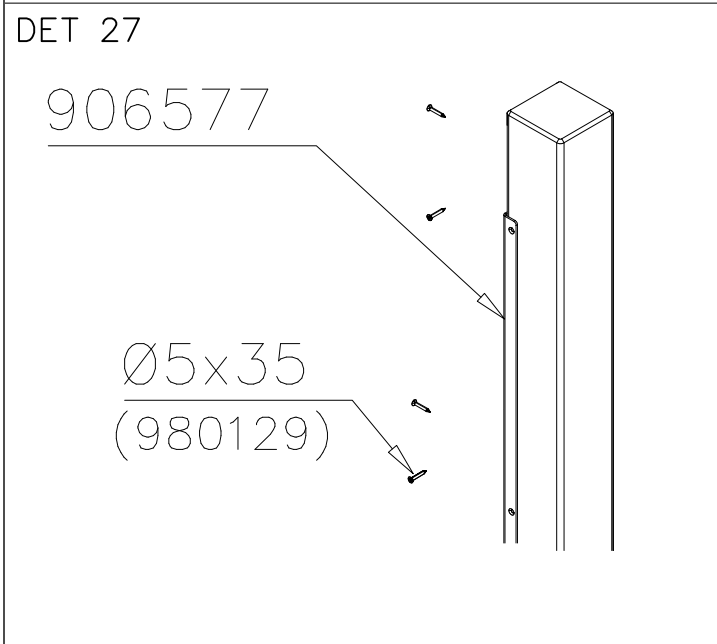
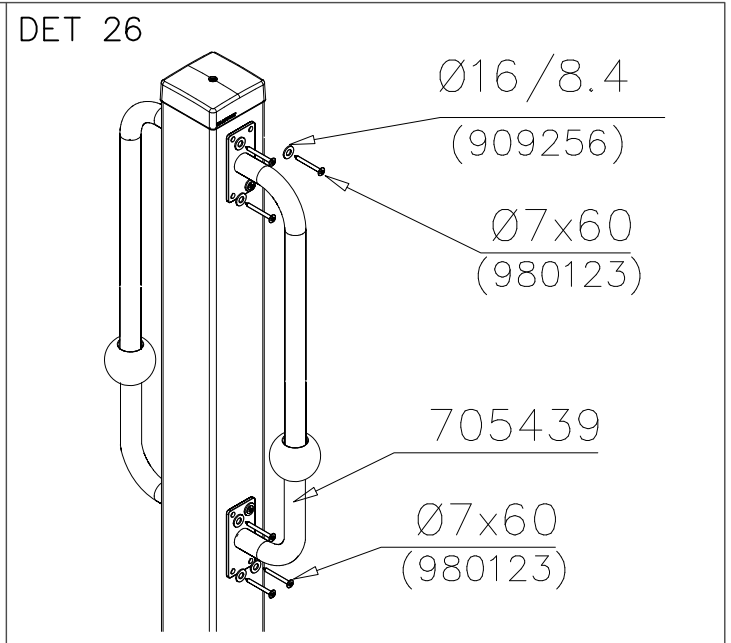
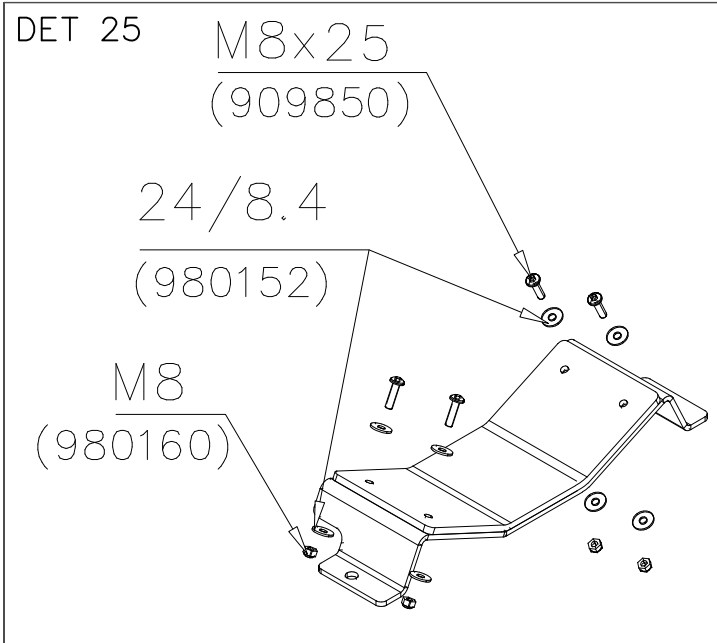
DET 17



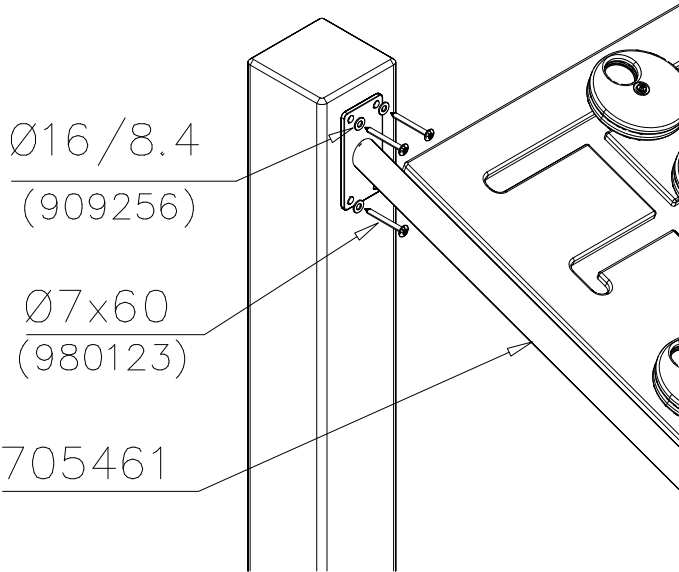
DET 18



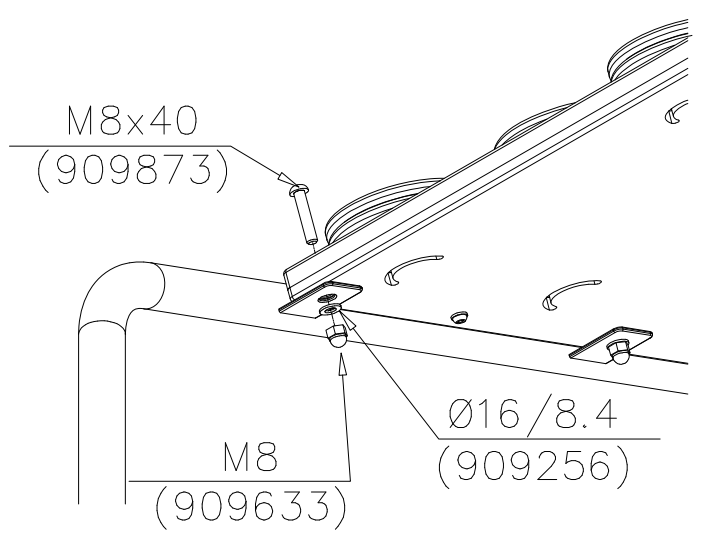




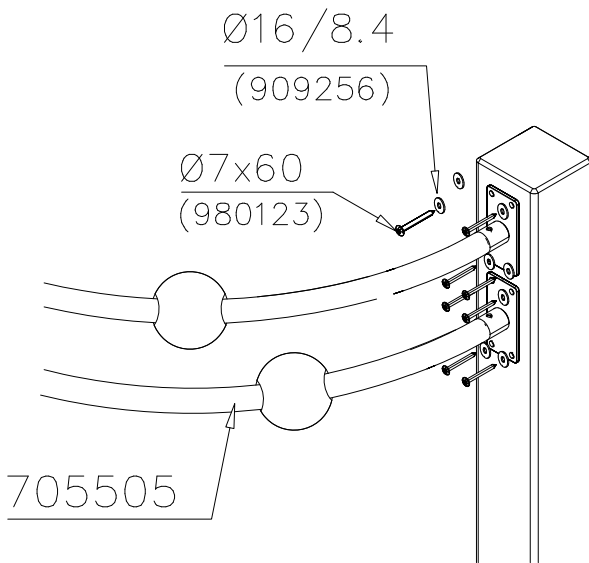
DET 31



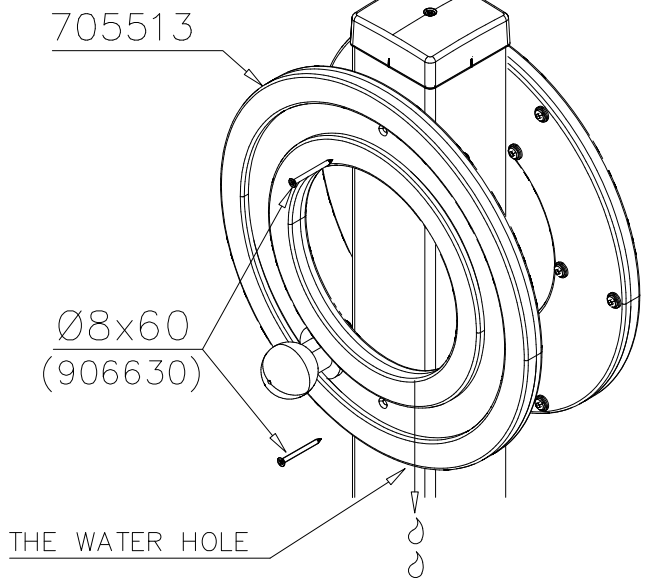
DET 32



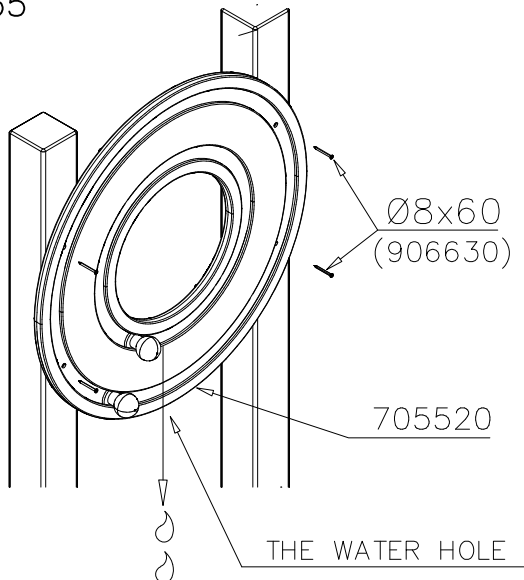
DET 33



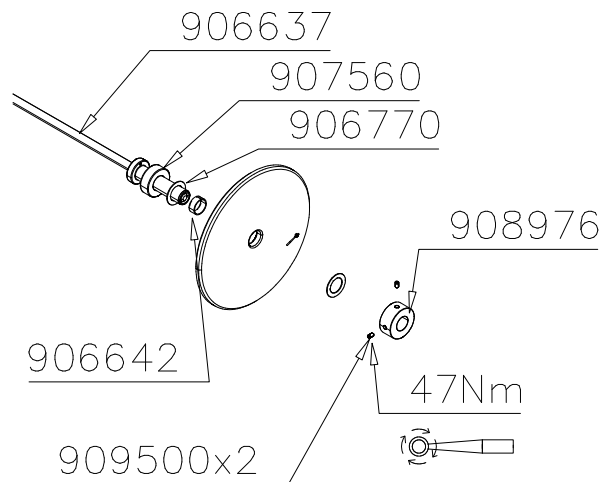
DET 34



DET 35

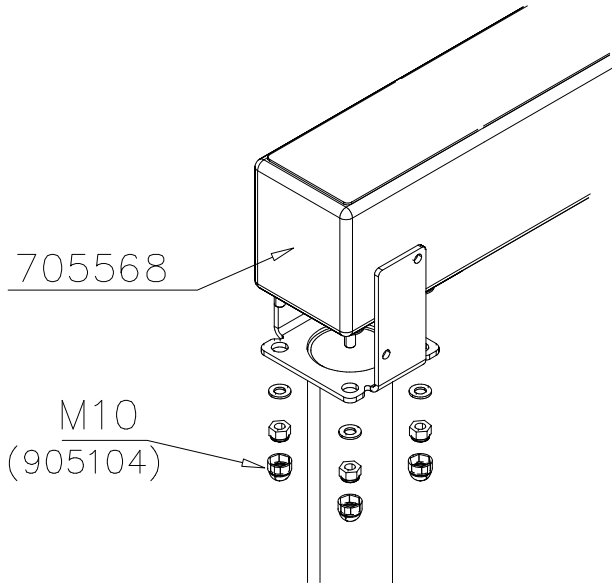


DET 36

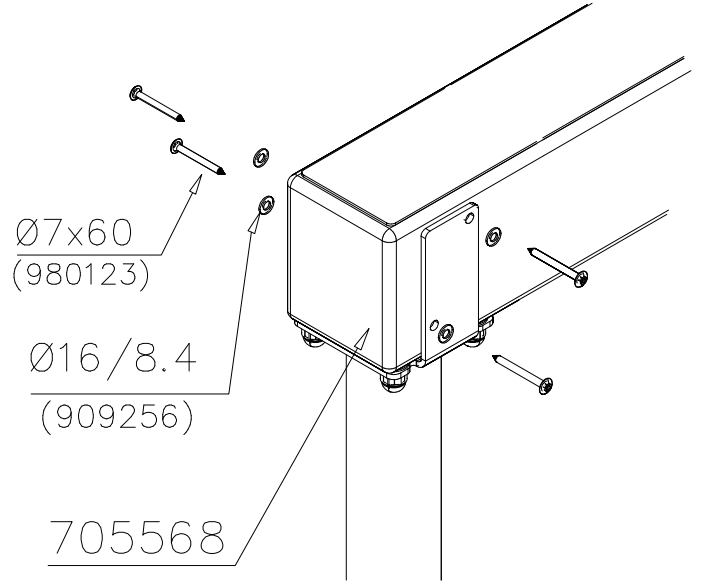




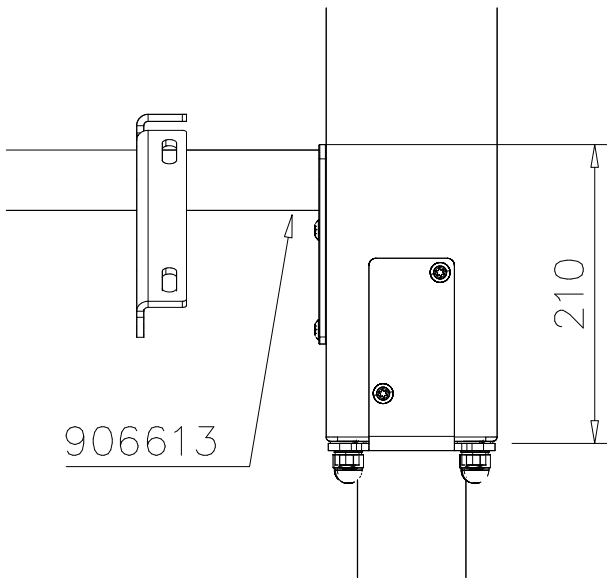
DET 37



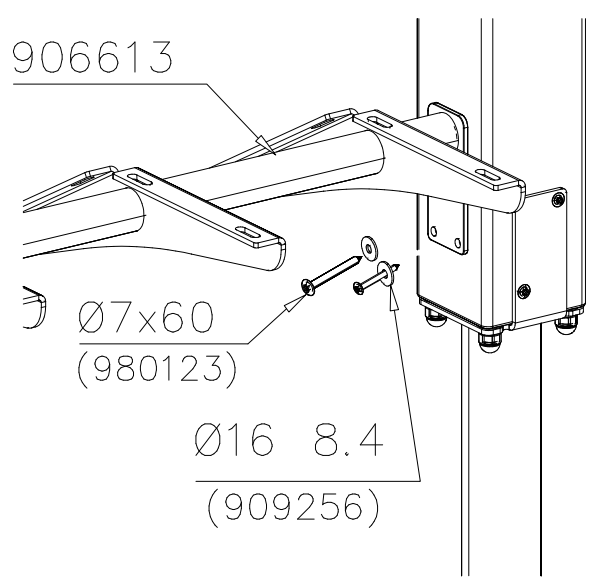
DET 38



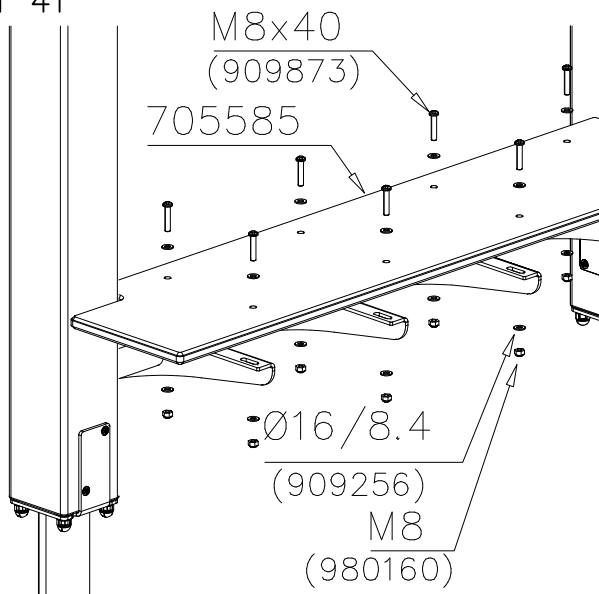
DET 39



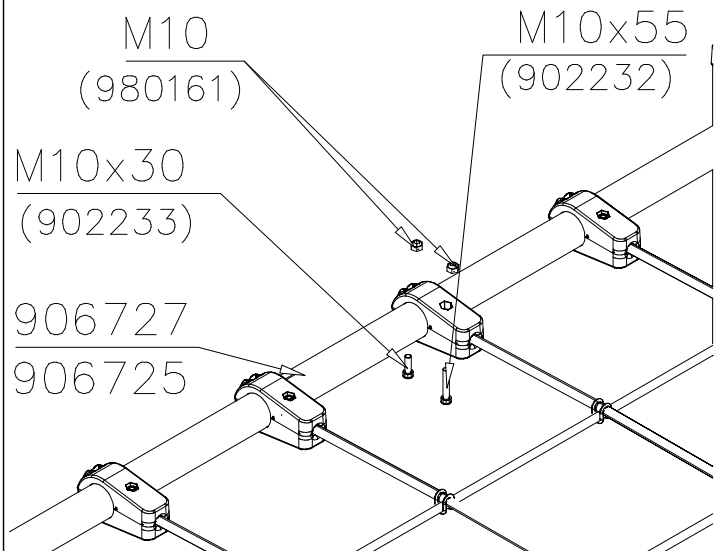
DET 40

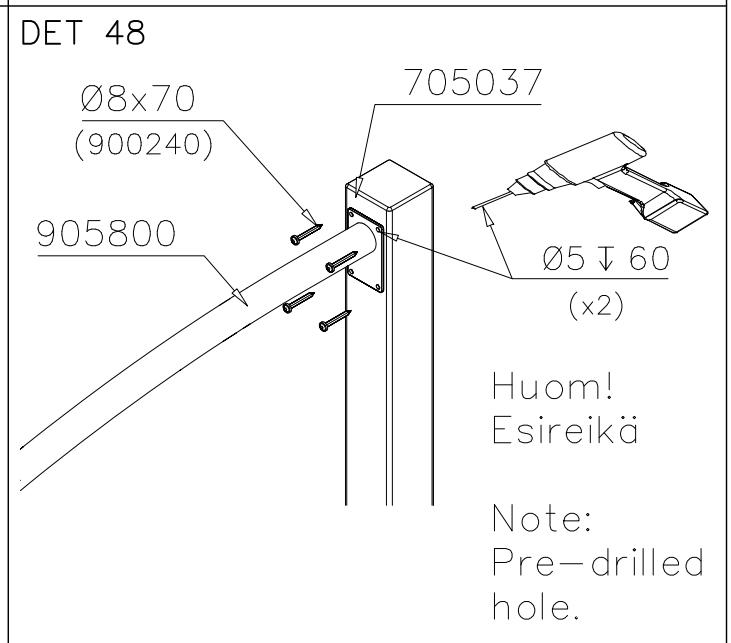
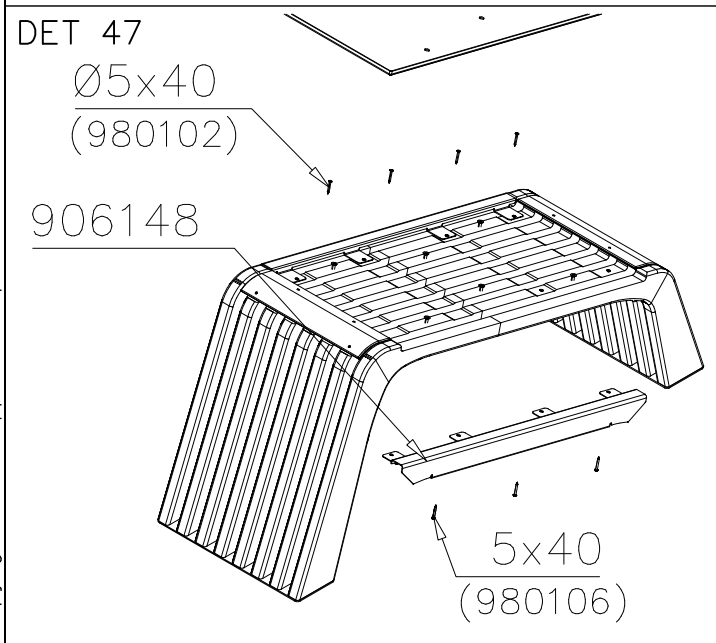
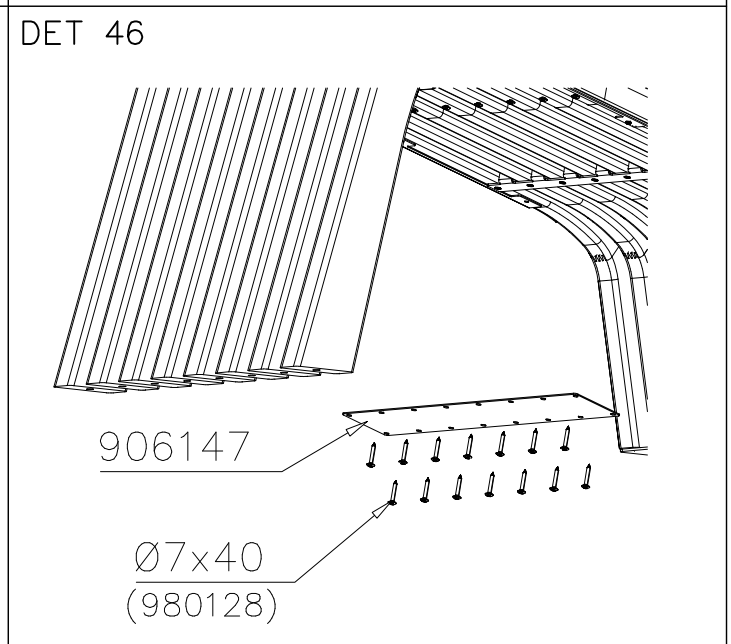
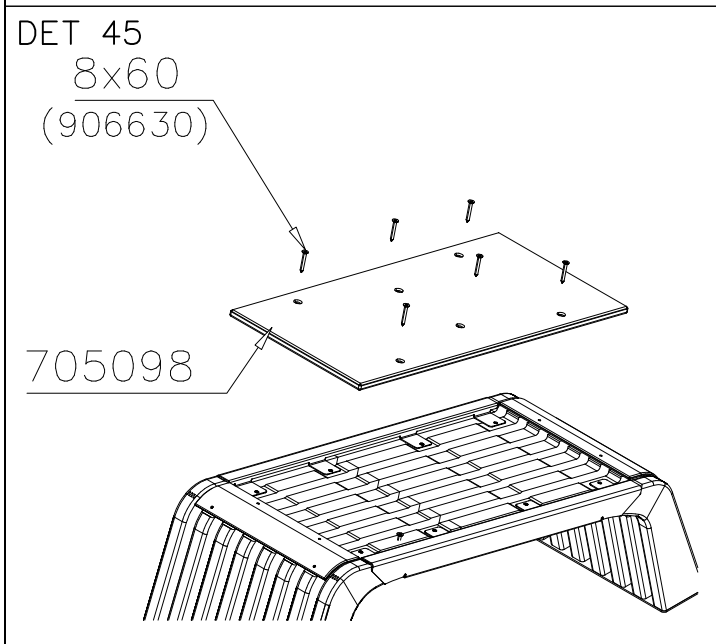
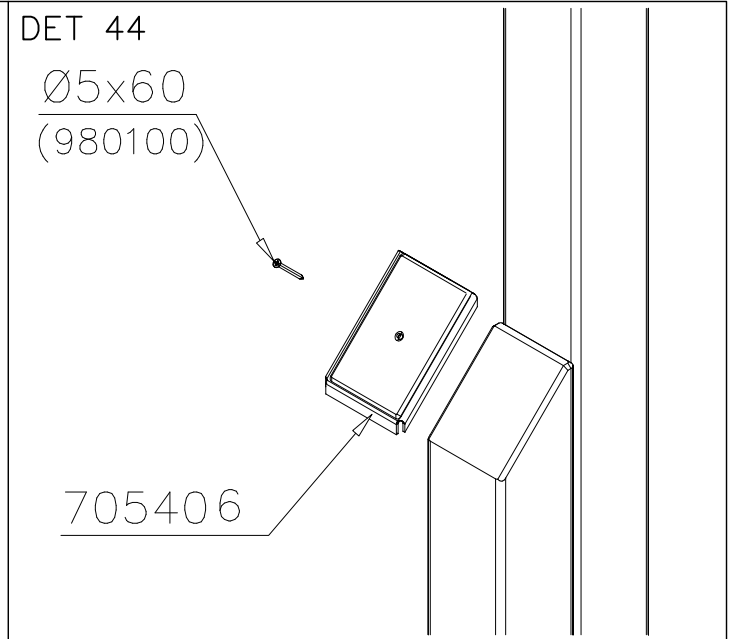
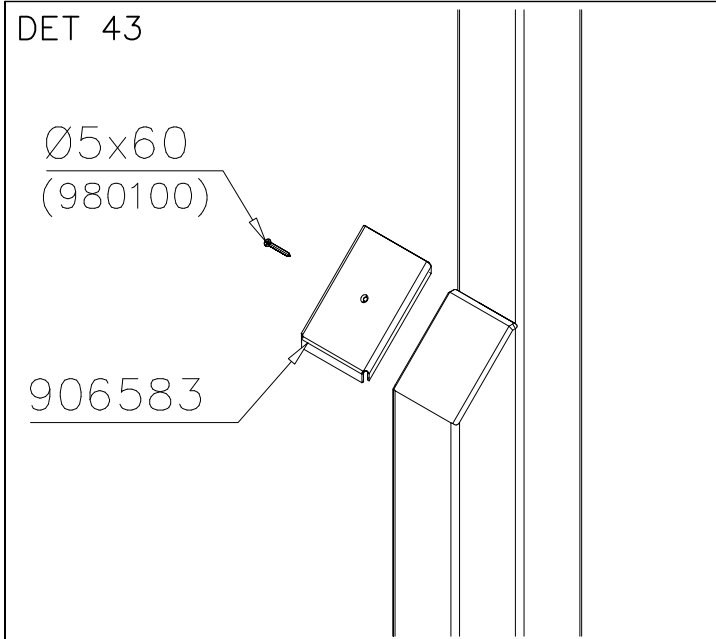


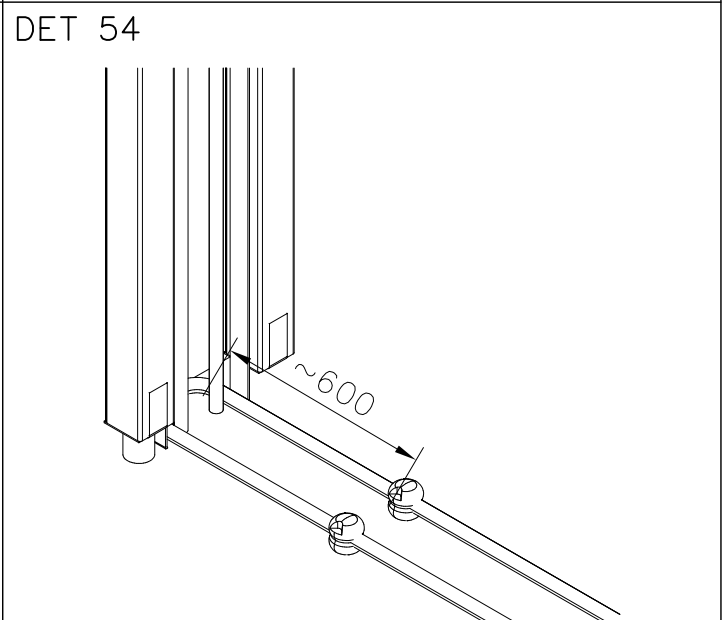
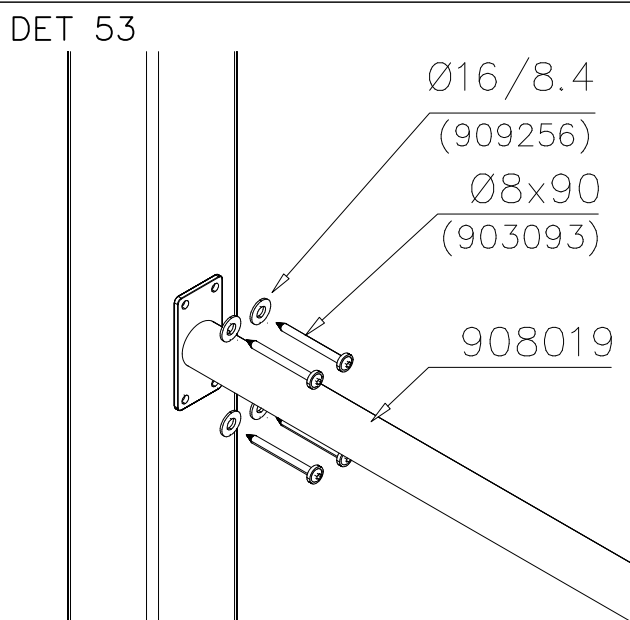
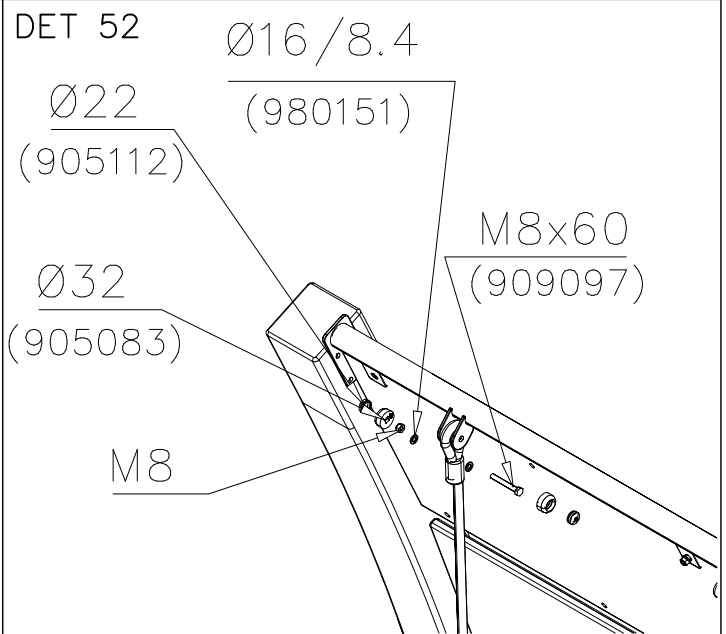
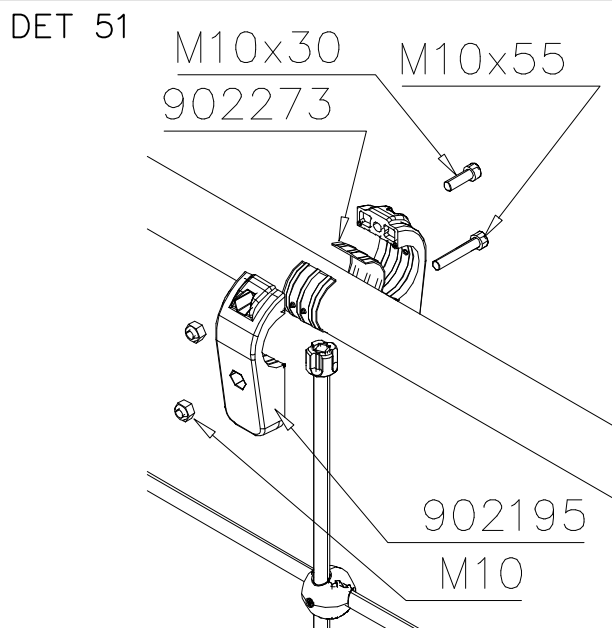
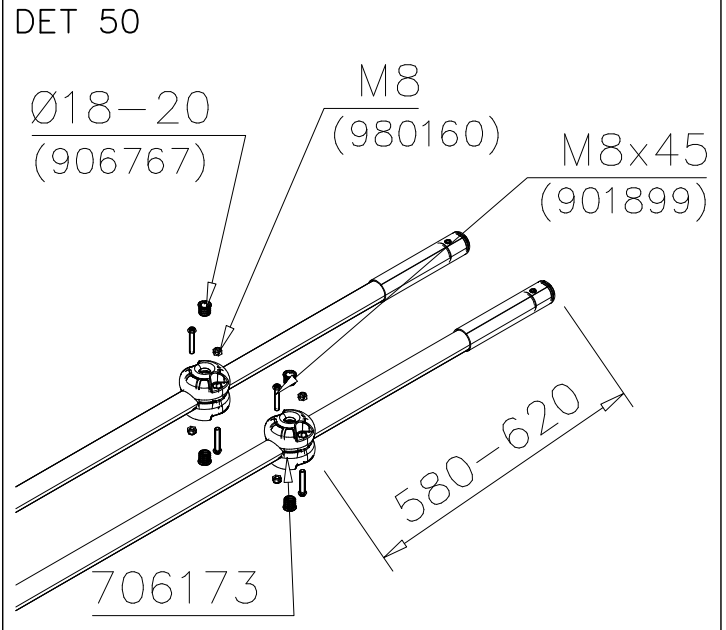
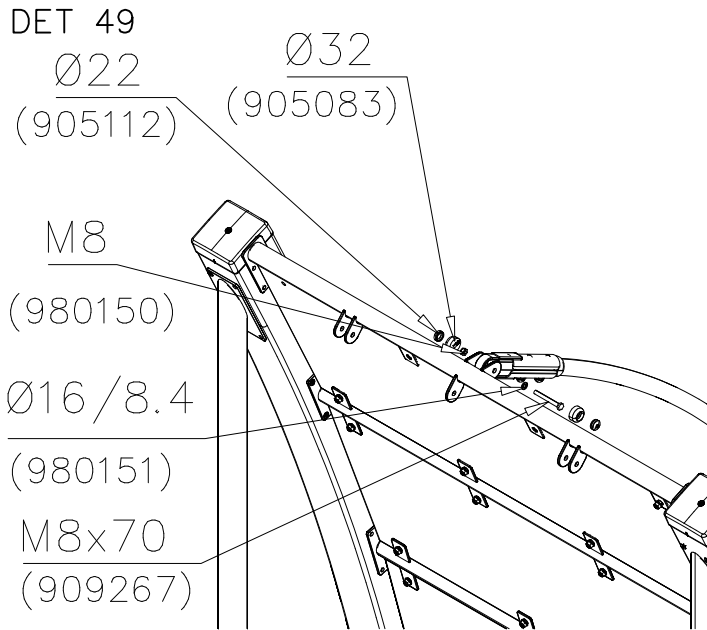
DET 41



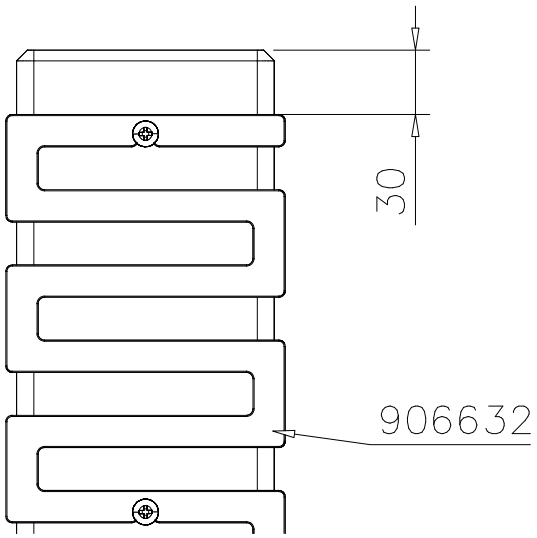
DET 42



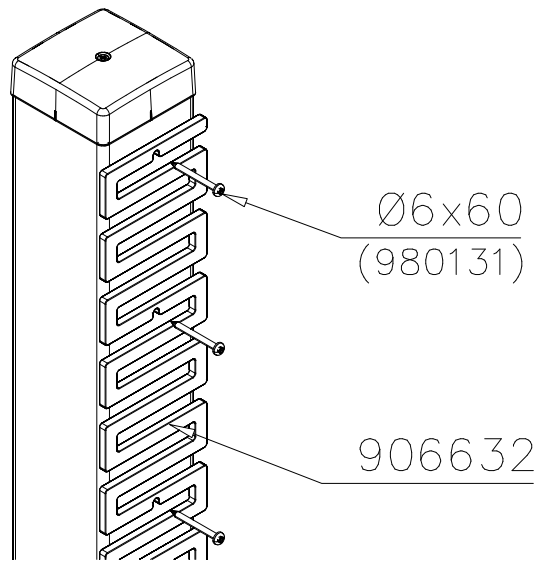




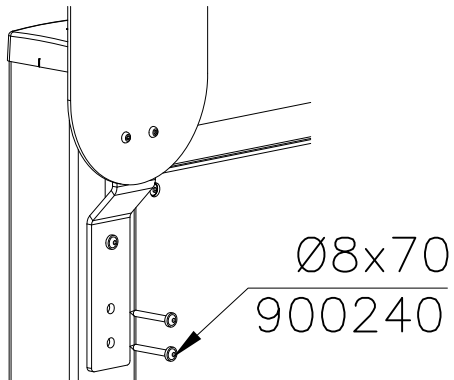
DET 55



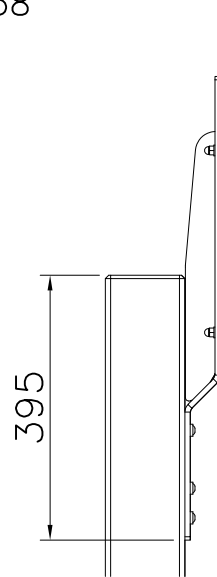
DET 56



DET 57



DET 58



DET 59

DET 60