

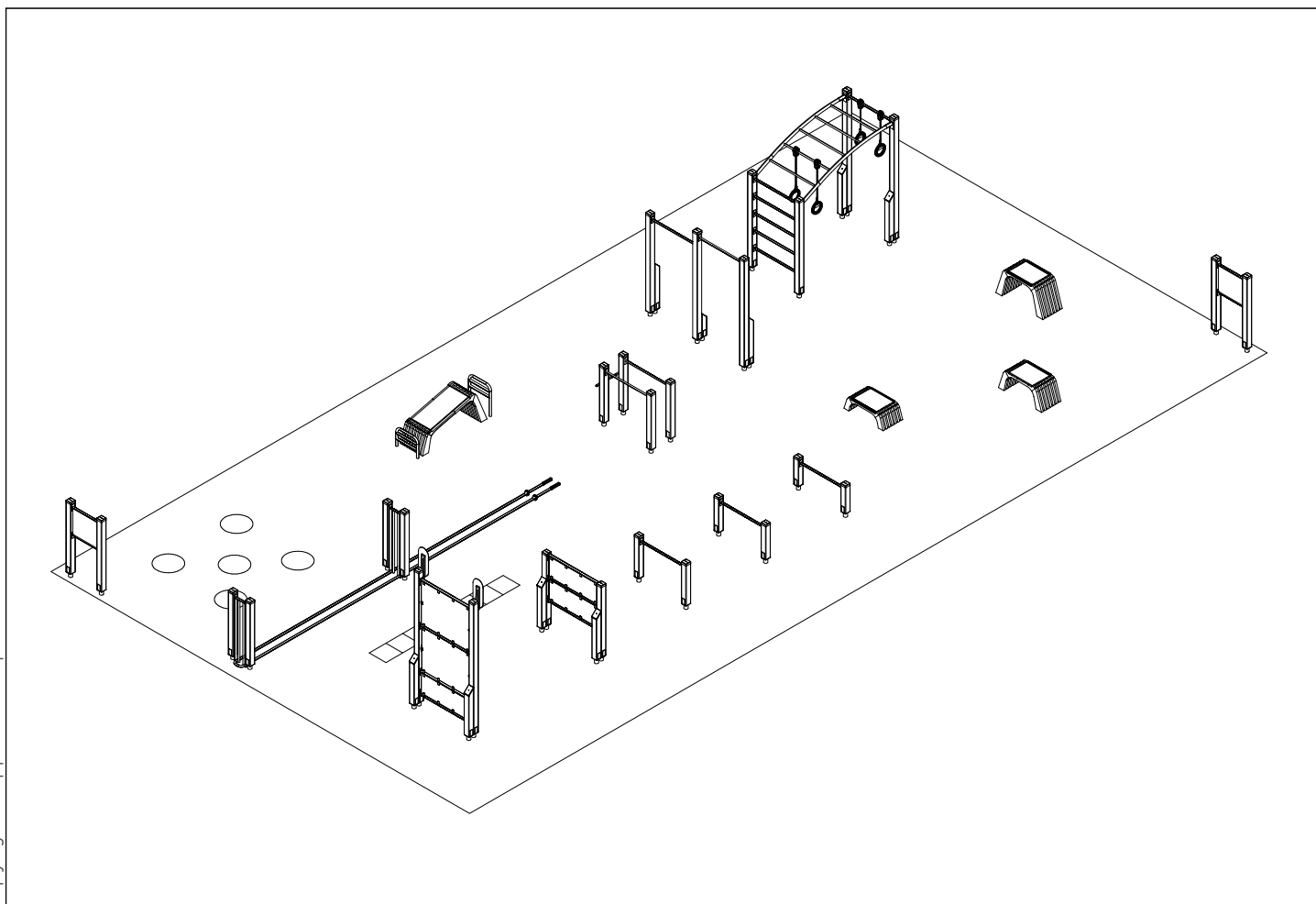
LAPPSET®

SPORT

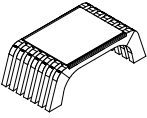
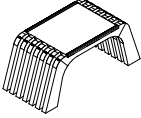
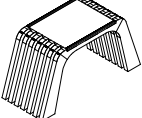
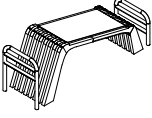
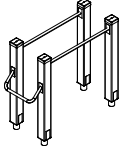
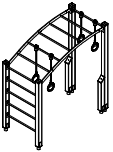
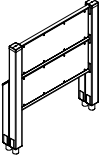
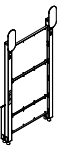

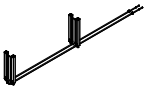
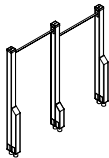
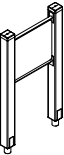
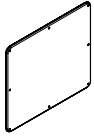
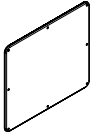
ASENNUSOHJE
MONTERINGSANSVISNING
INSTALLATION INSTRUCTION
AUFBAUANLEITUNG
NOTICE D'INSTALLATION

DATE: 19.8.2024

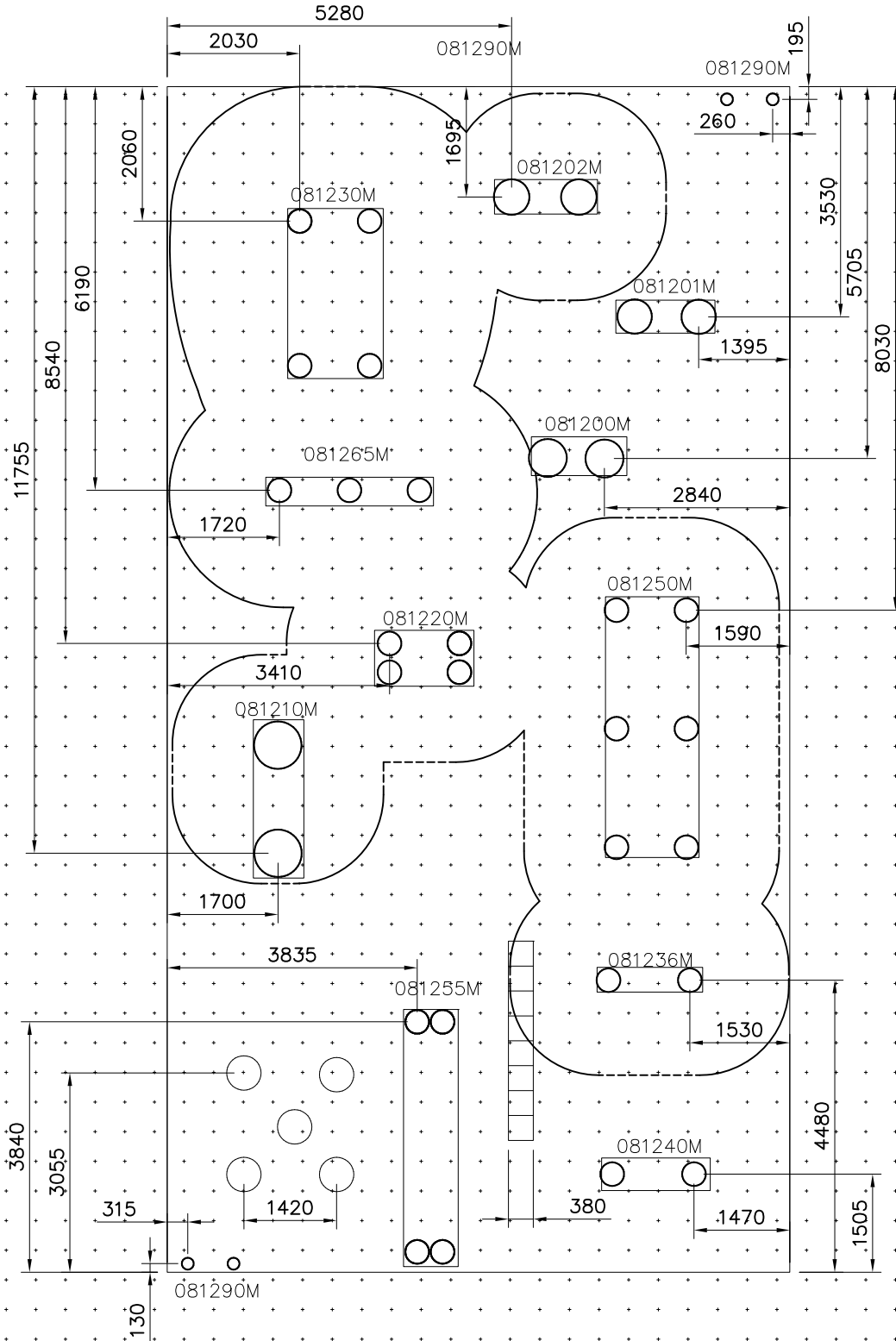
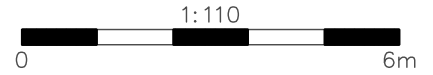
081326M

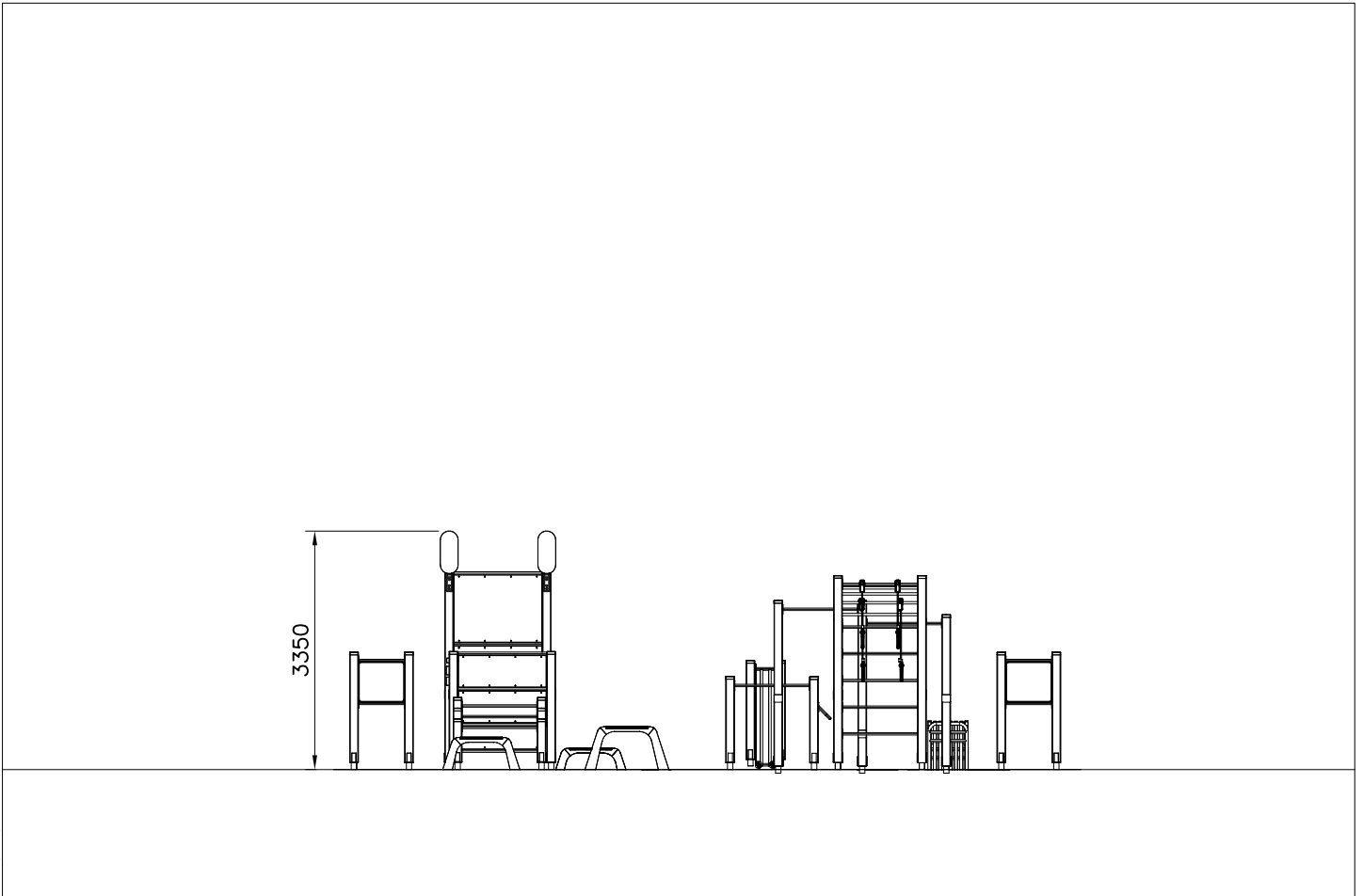
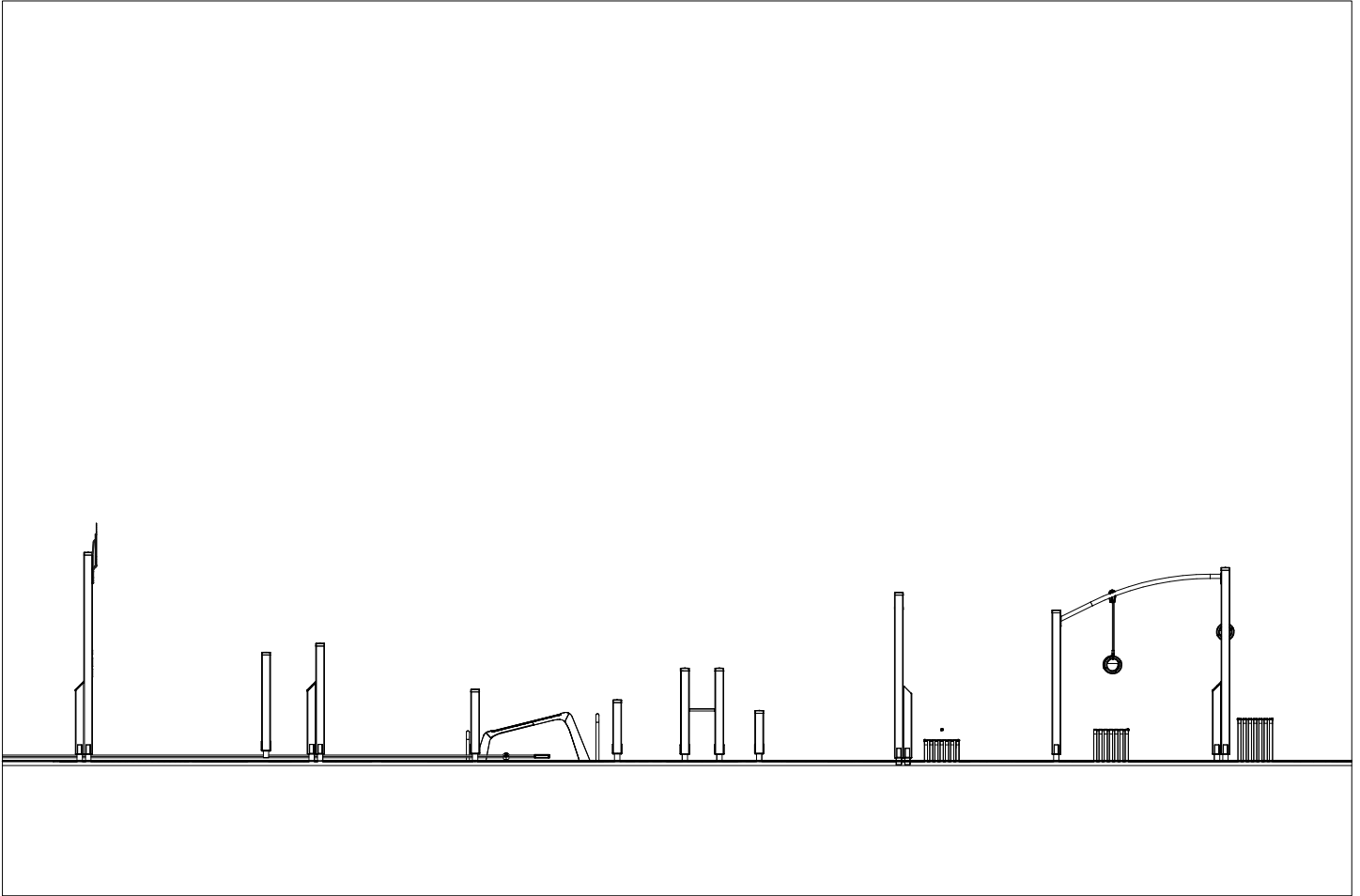


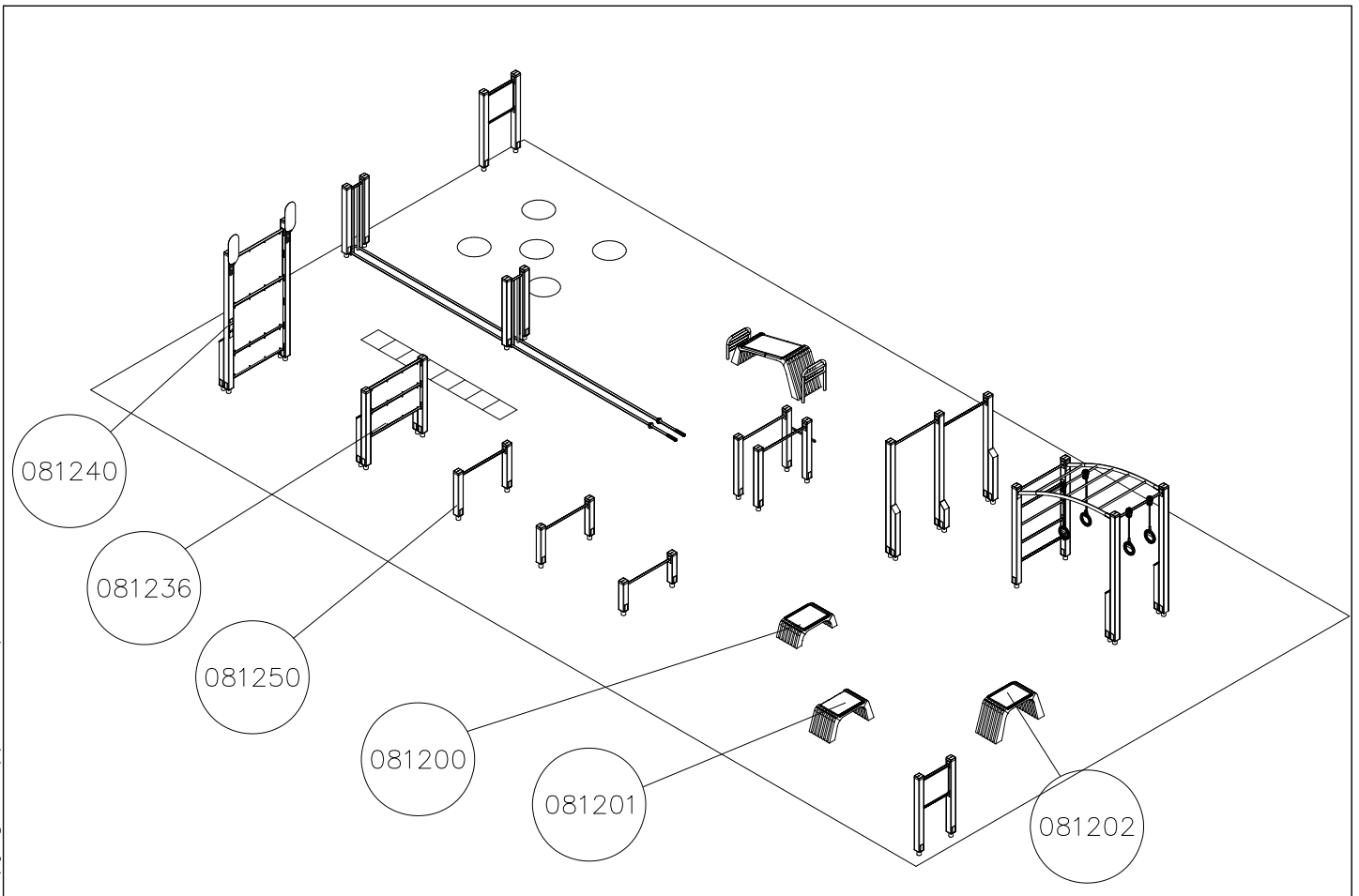
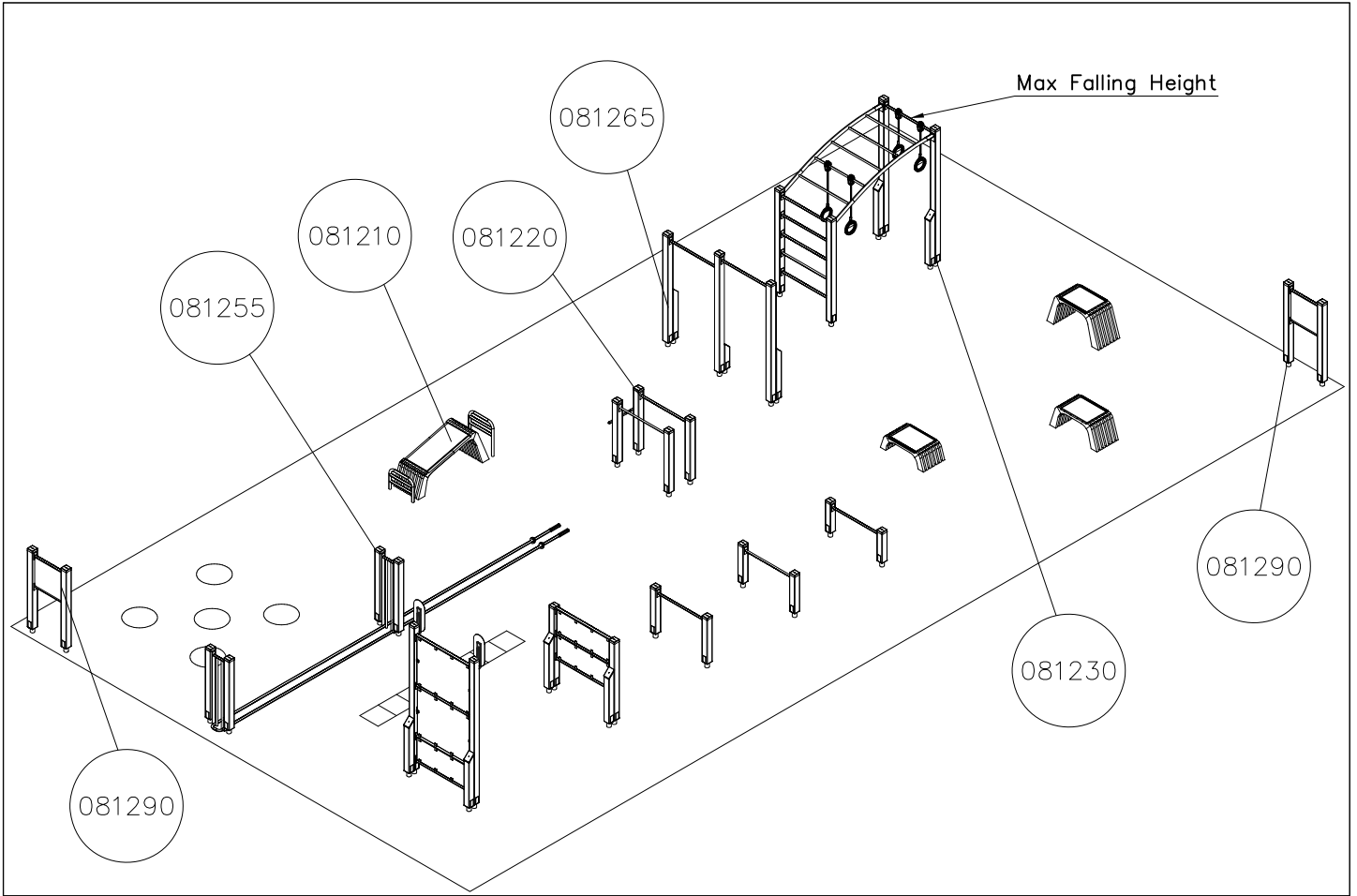
DATE: 19.8.2024

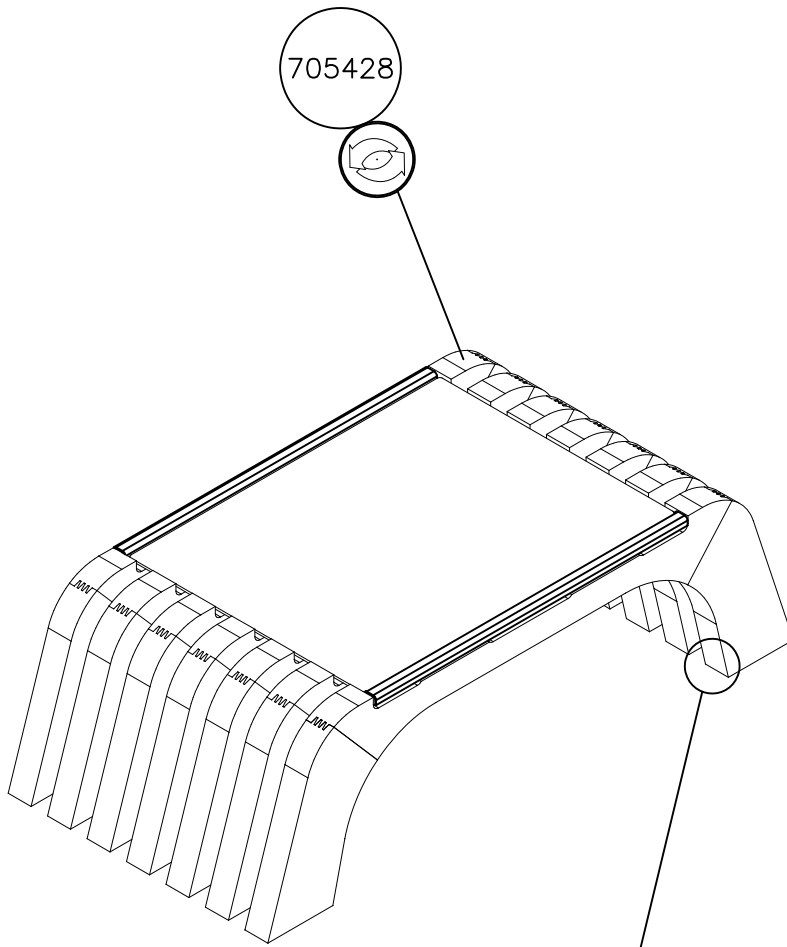
081200M	PCS 1	081201M	PCS 1	081202M	PCS 1	081210M	PCS 1	081220M	PCS 1	081230M	PCS 1
											
081236M	PCS 1	081240M	PCS 1	081250M	PCS 1	081255M	PCS 1	081265M	PCS 1	081290M	PCS 2
											
707504 Acryl + sticker	PCS 1	707505 Acryl + sticker	PCS 1		PCS		PCS		PCS		PCS
											
8x640x560		8x640x560									
	PCS		PCS		PCS		PCS		PCS		PCS
	PCS		PCS		PCS		PCS		PCS		PCS
	PCS		PCS		PCS		PCS		PCS		PCS

Impact Area 114.2 m²
Grid size = 500 mm

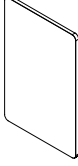

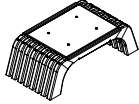

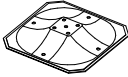
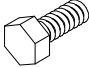




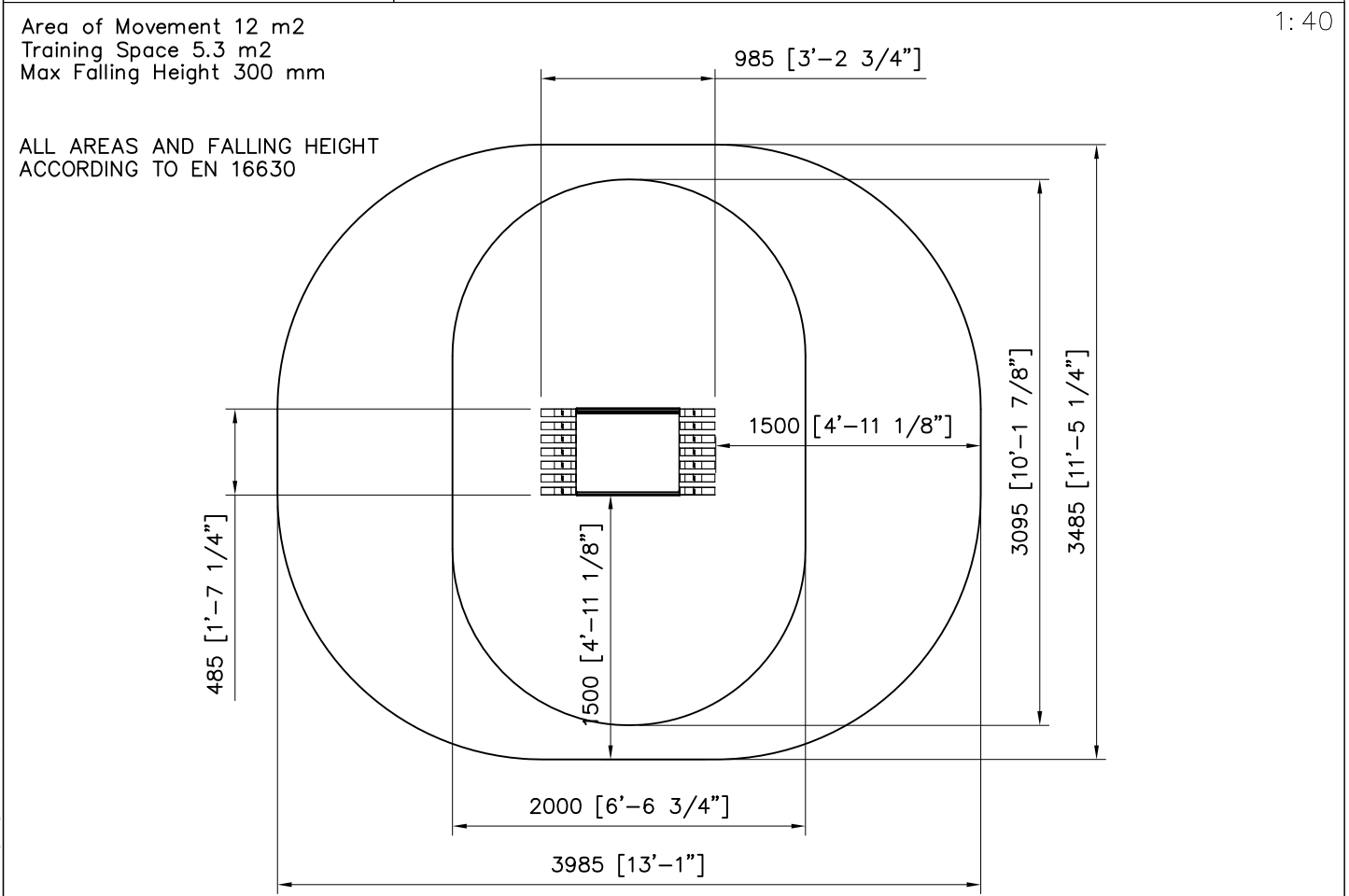
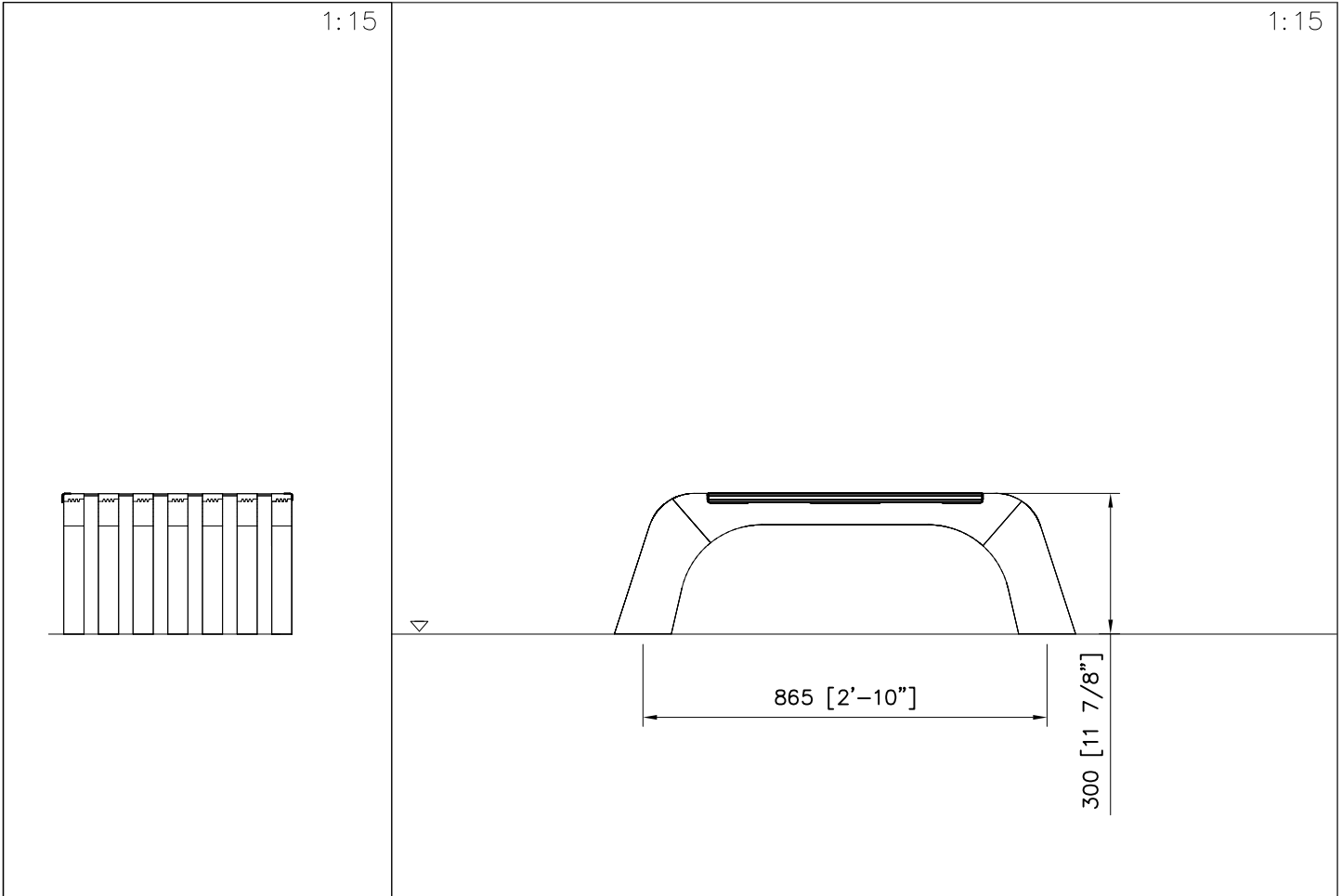


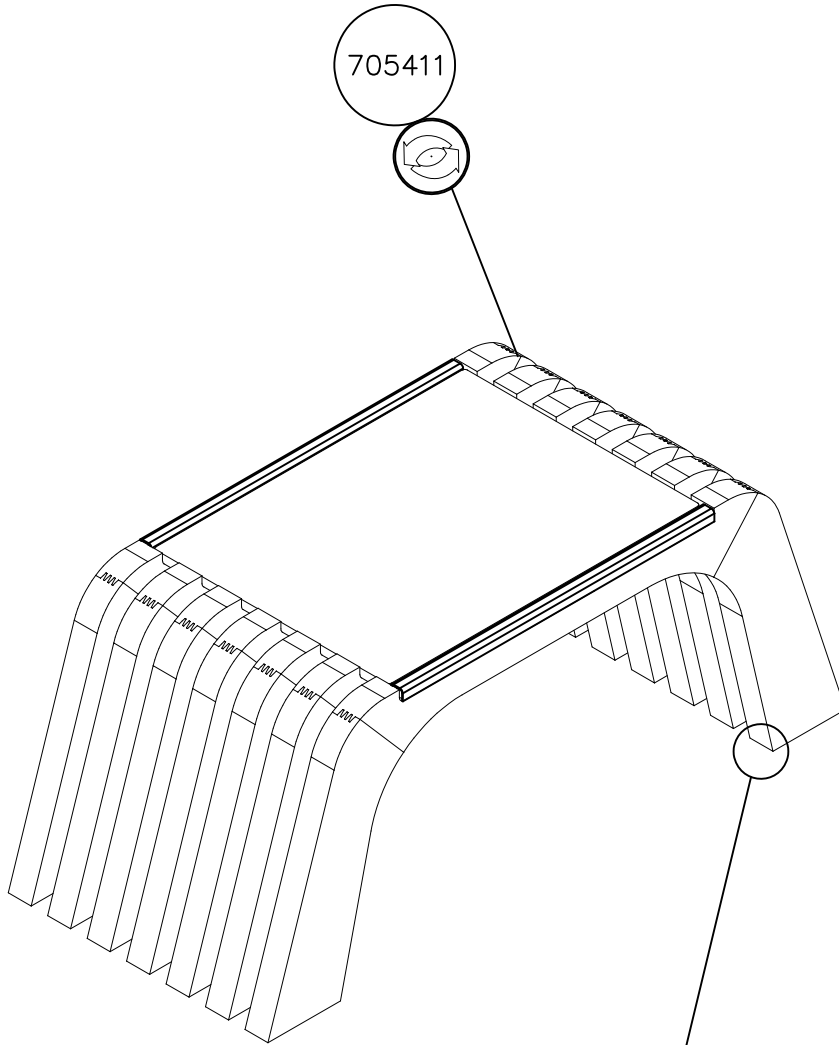




BASE
DET 22-24
OR 25-27

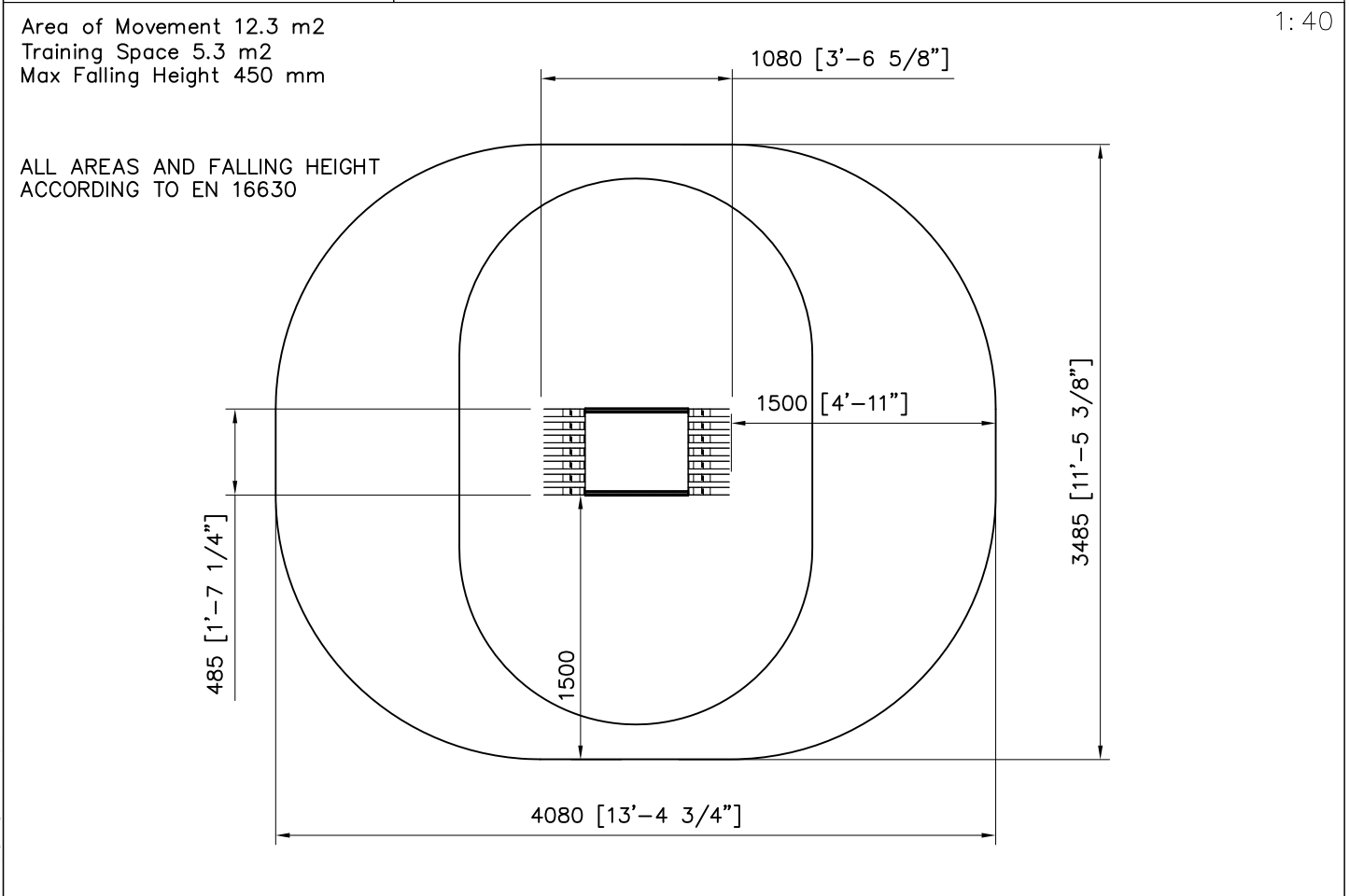
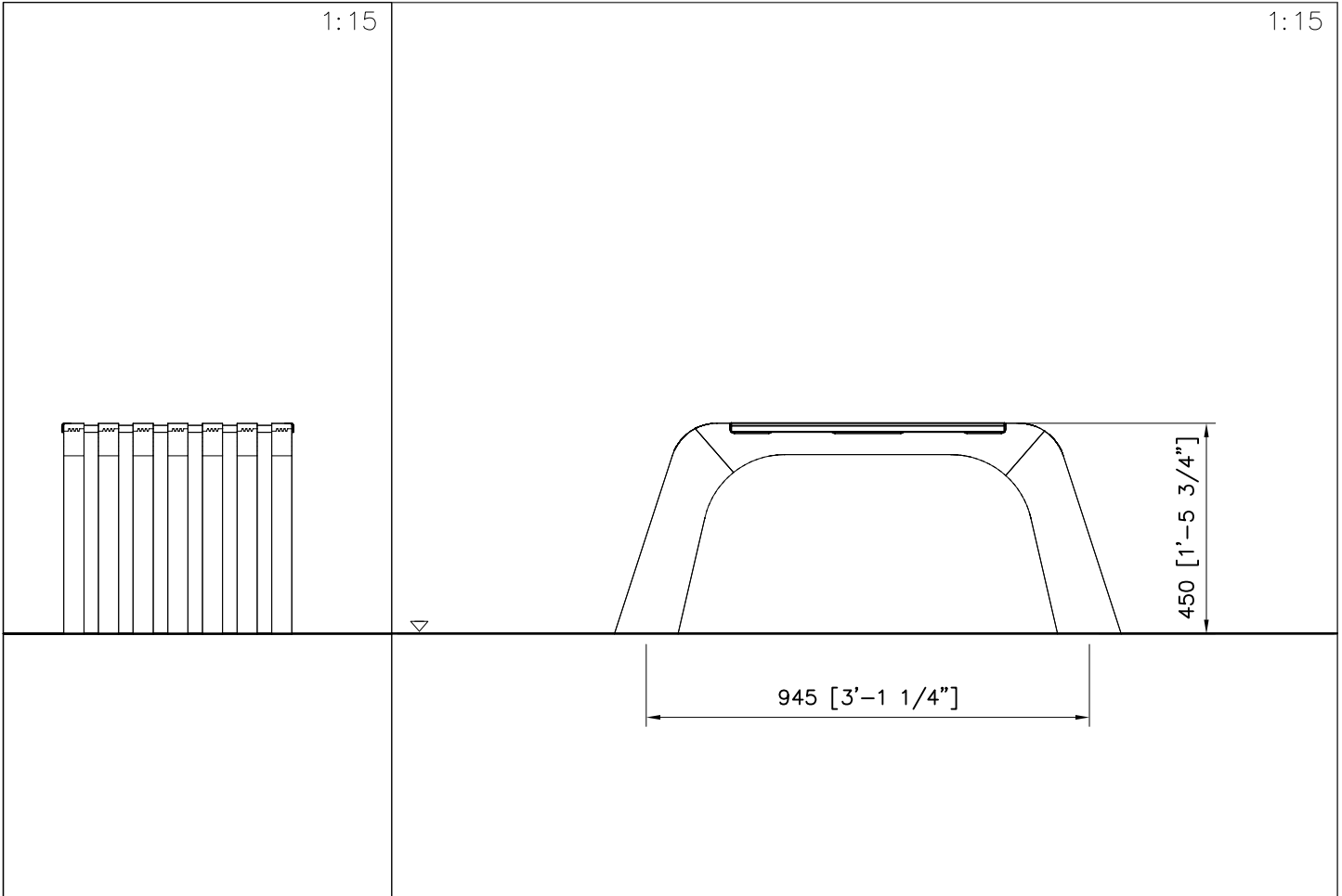
① 706017	PCS	② 980114	PCS
	1		4
		Ø4x20	
③ 705428	PCS	④ 902272	PCS
	1		4
		90x90x450	
⑤ 909519	PCS	⑥ 909639	PCS
	4		8
50x380x380		M10x25	
⑦ 909638	PCS	⑧ 909637	PCS
	16		8
Ø20/10.5		M10	
	PCS		PCS
	PCS		PCS
	PCS		PCS
	PCS		PCS

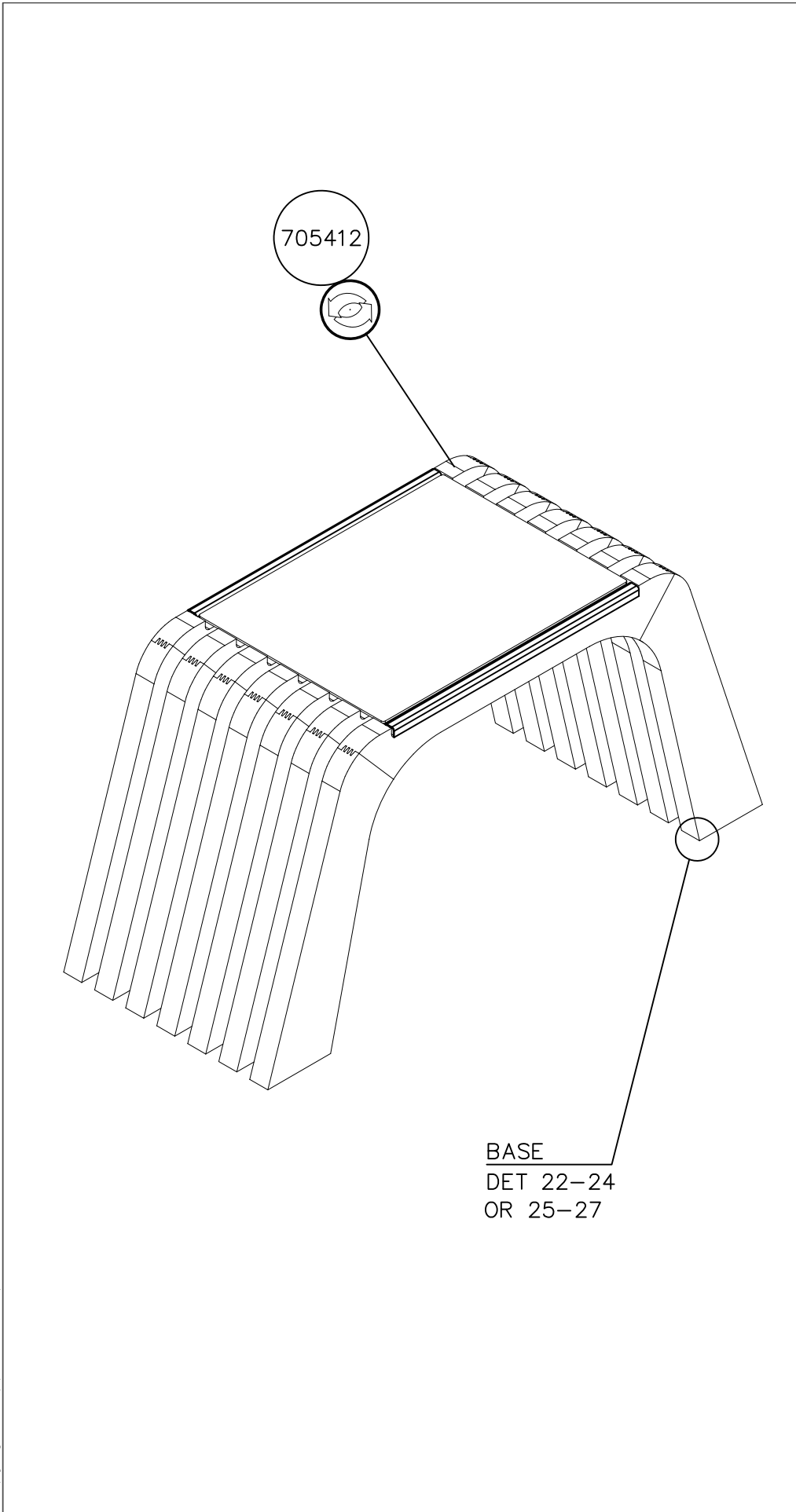


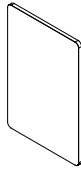

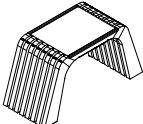


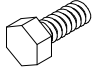
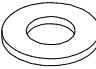



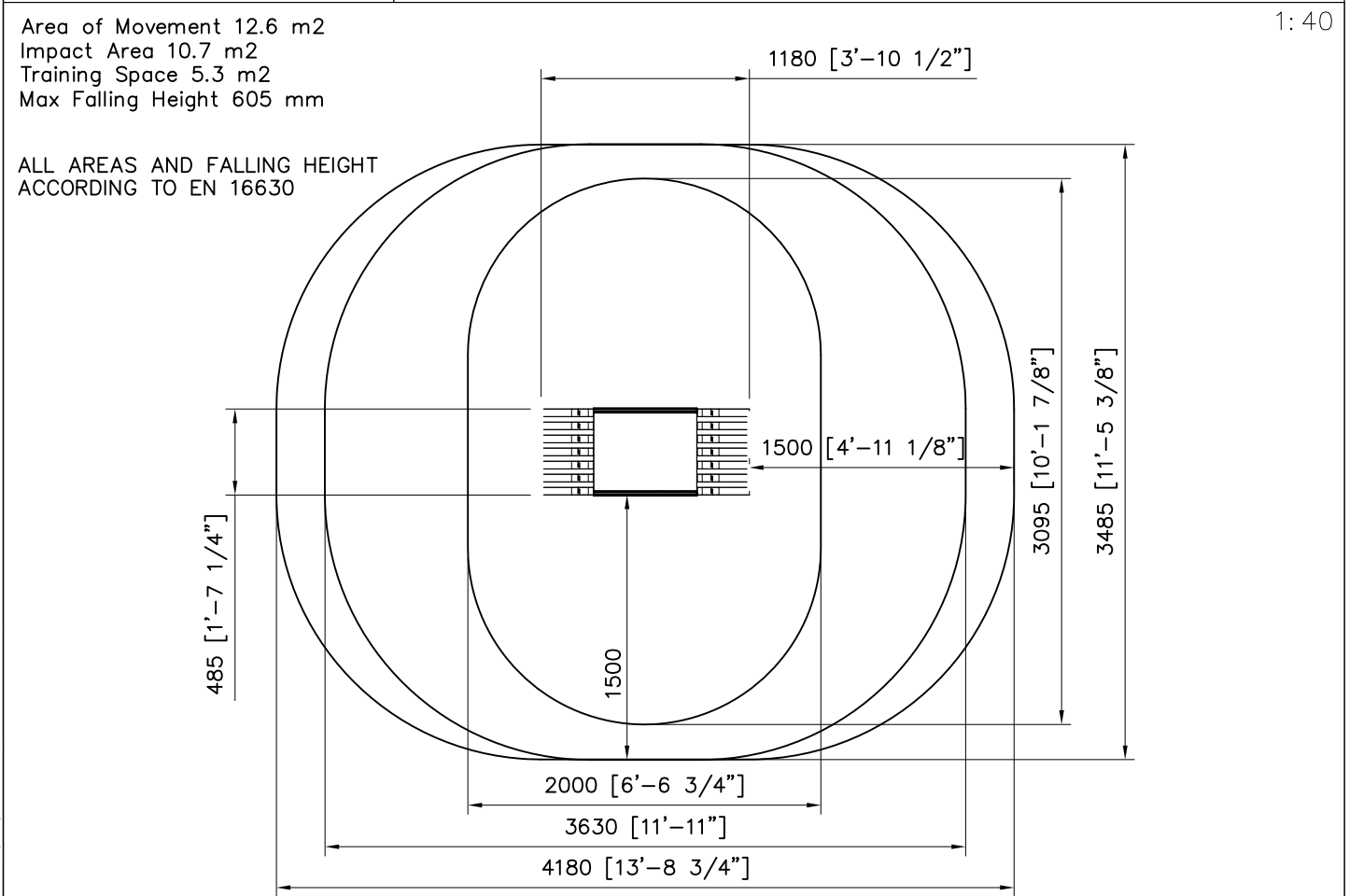
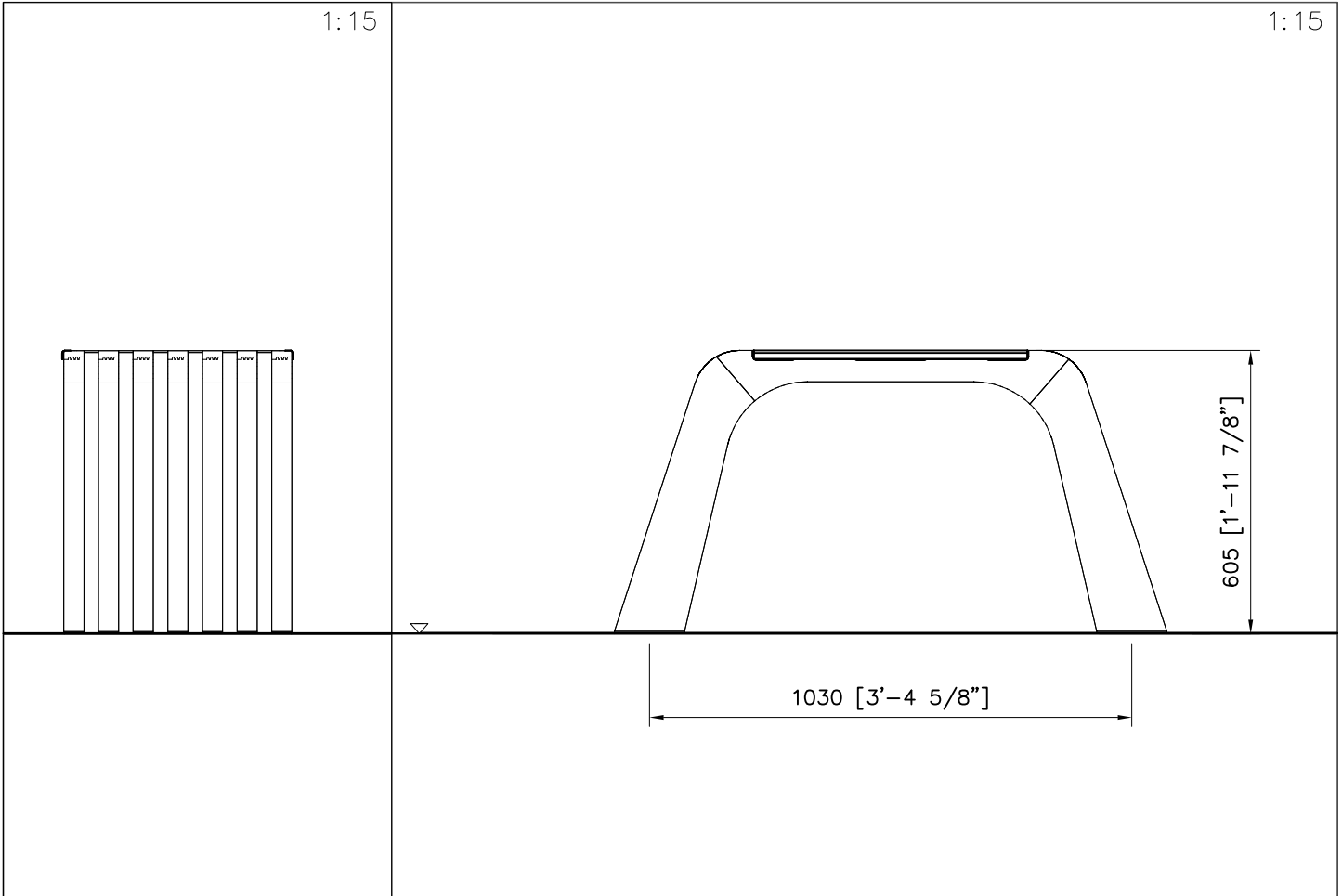
BASE
DET 22-24
OR 25-27

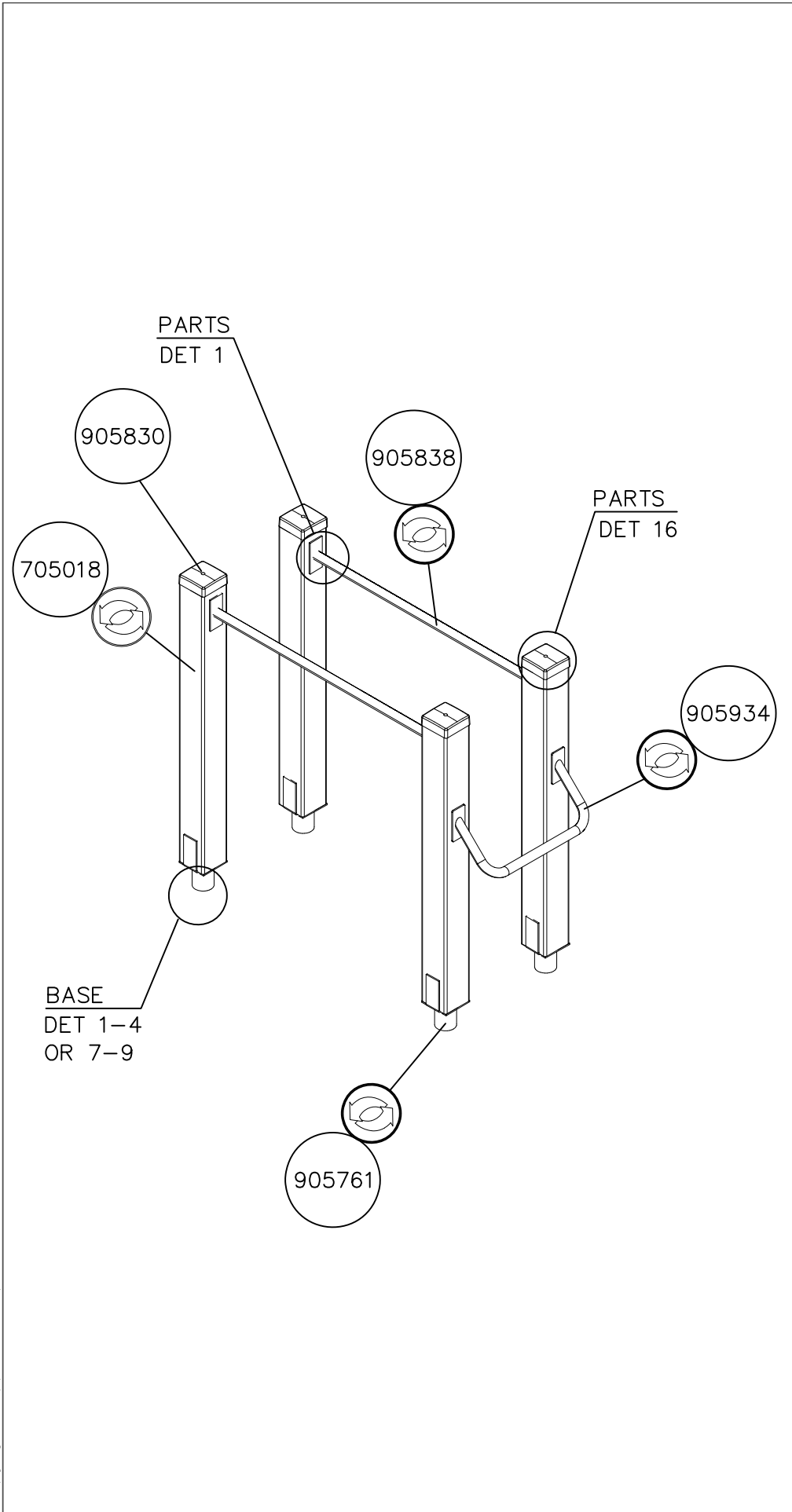
①	706018	PCS	②	980114	PCS
		1			4
				Ø4x20	
③	705411	PCS	④	902272	PCS
		1			4
				90x90x450	
⑤	909519	PCS	⑥	909639	PCS
		4			8
	50x380x380			M10x25	
⑦	909638	PCS	⑧	909637	PCS
		16			8
	Ø20/10.5			M10	
		PCS			PCS
		PCS			PCS
		PCS			PCS
		PCS			PCS

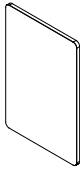


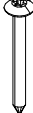
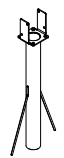
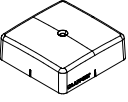
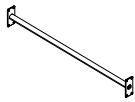
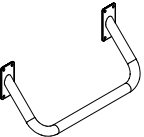

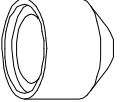



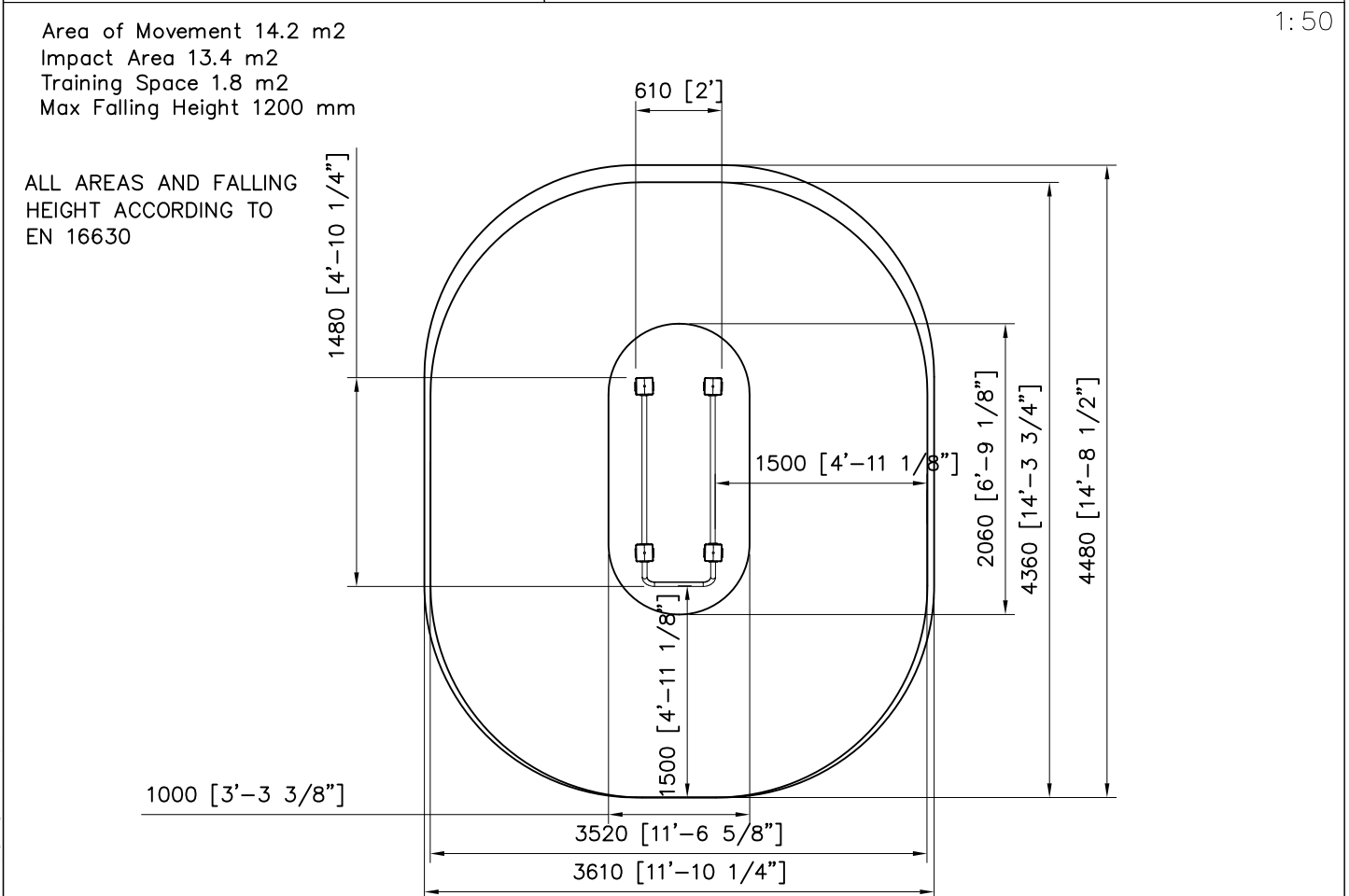
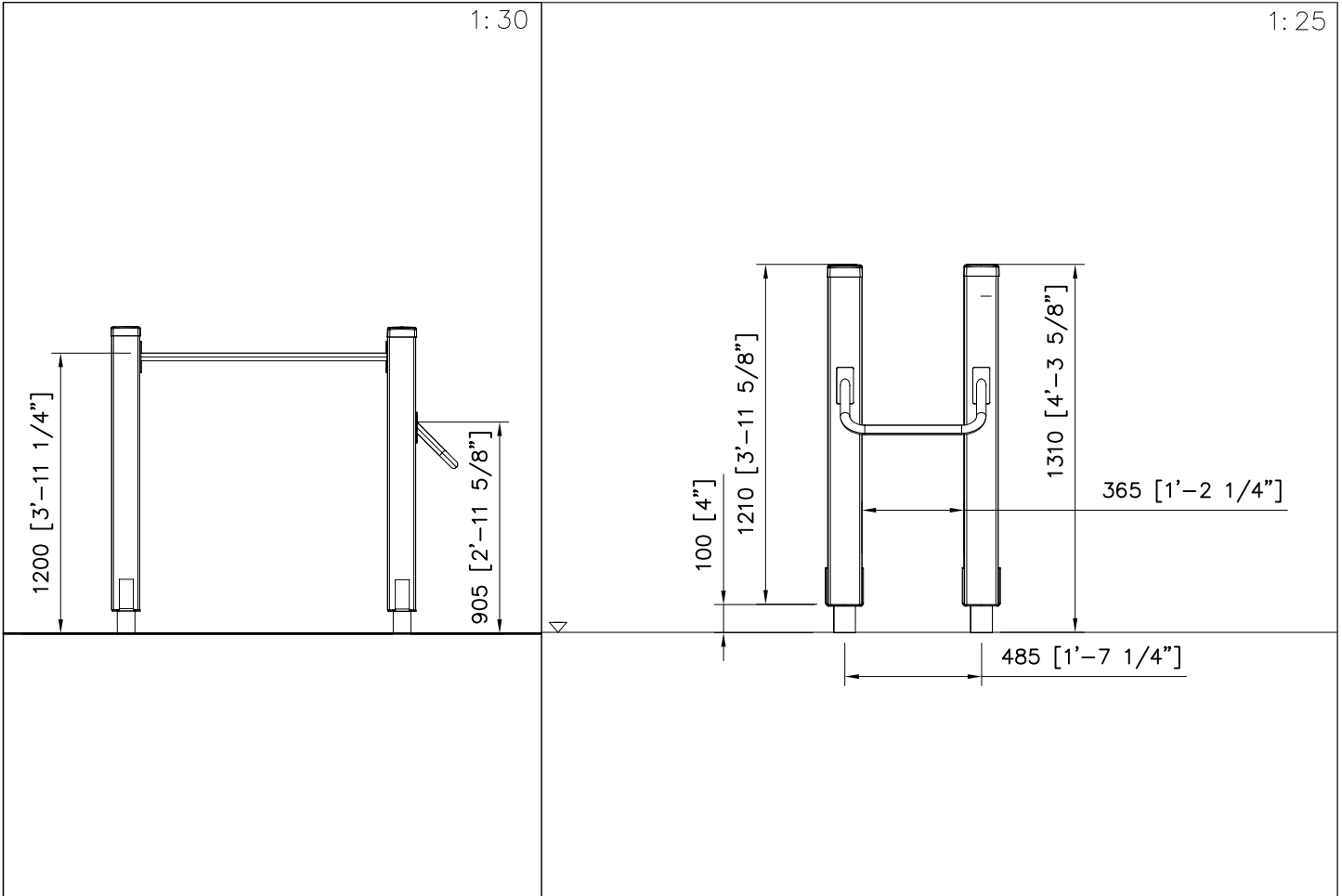


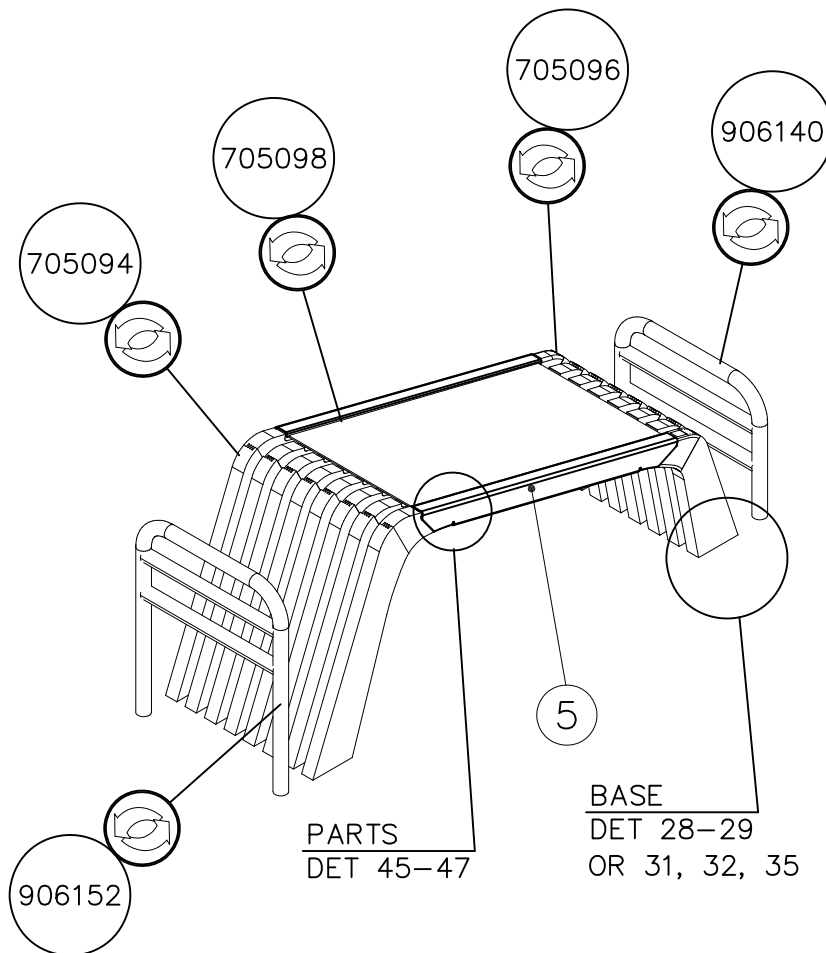
① 706019	PCS	② 980114	PCS
	1		4
		Ø4x20	
③ 705412	PCS	④ 902272	PCS
	1		4
		90x90x450	
⑤ 909519	PCS	⑥ 909639	PCS
	4		8
50x380x380		M10x25	
⑦ 909638	PCS	⑧ 909637	PCS
	16		8
Ø20/10.5		M10	
	PCS		PCS
	PCS		PCS
	PCS		PCS
	PCS		PCS



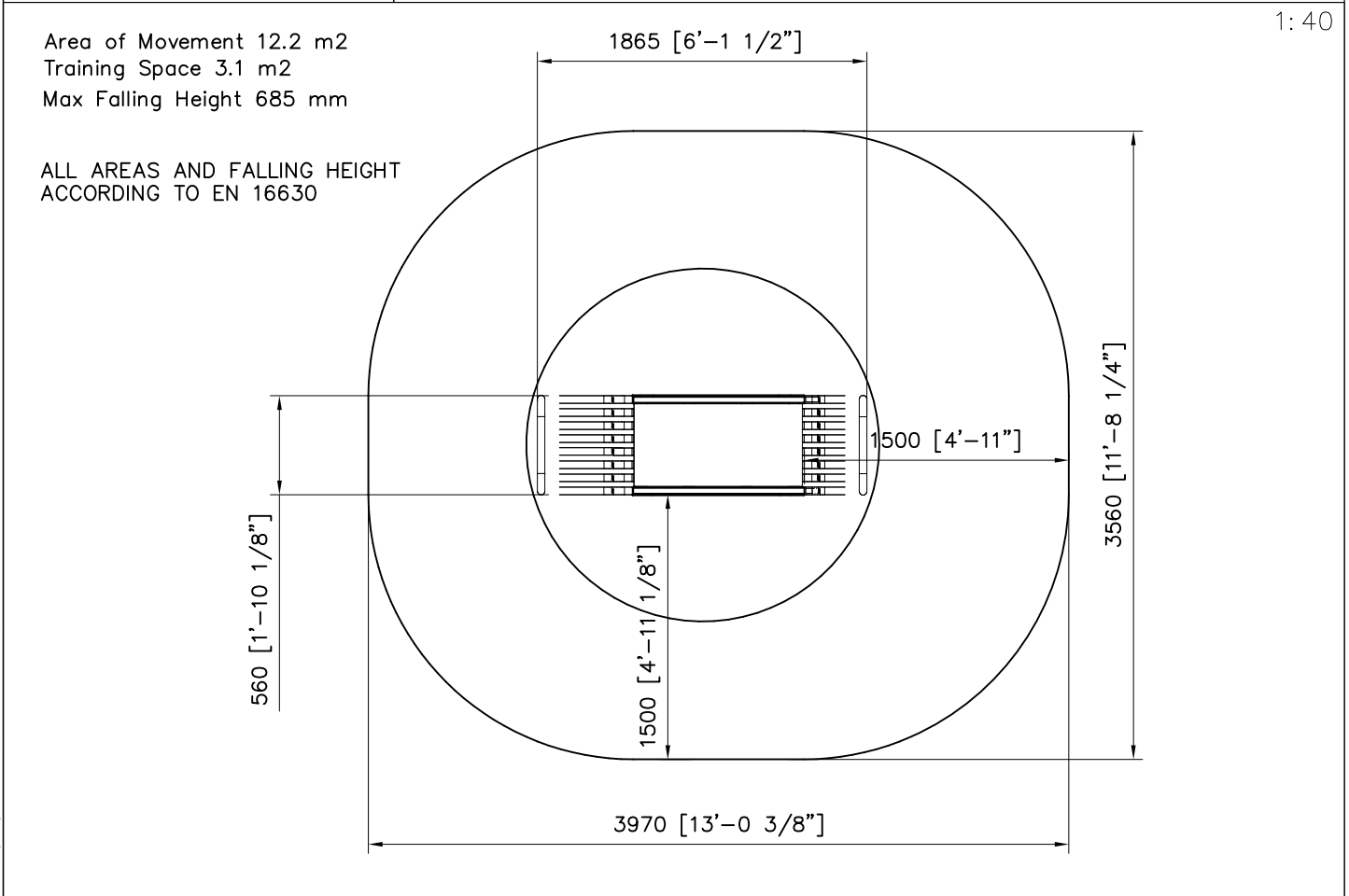
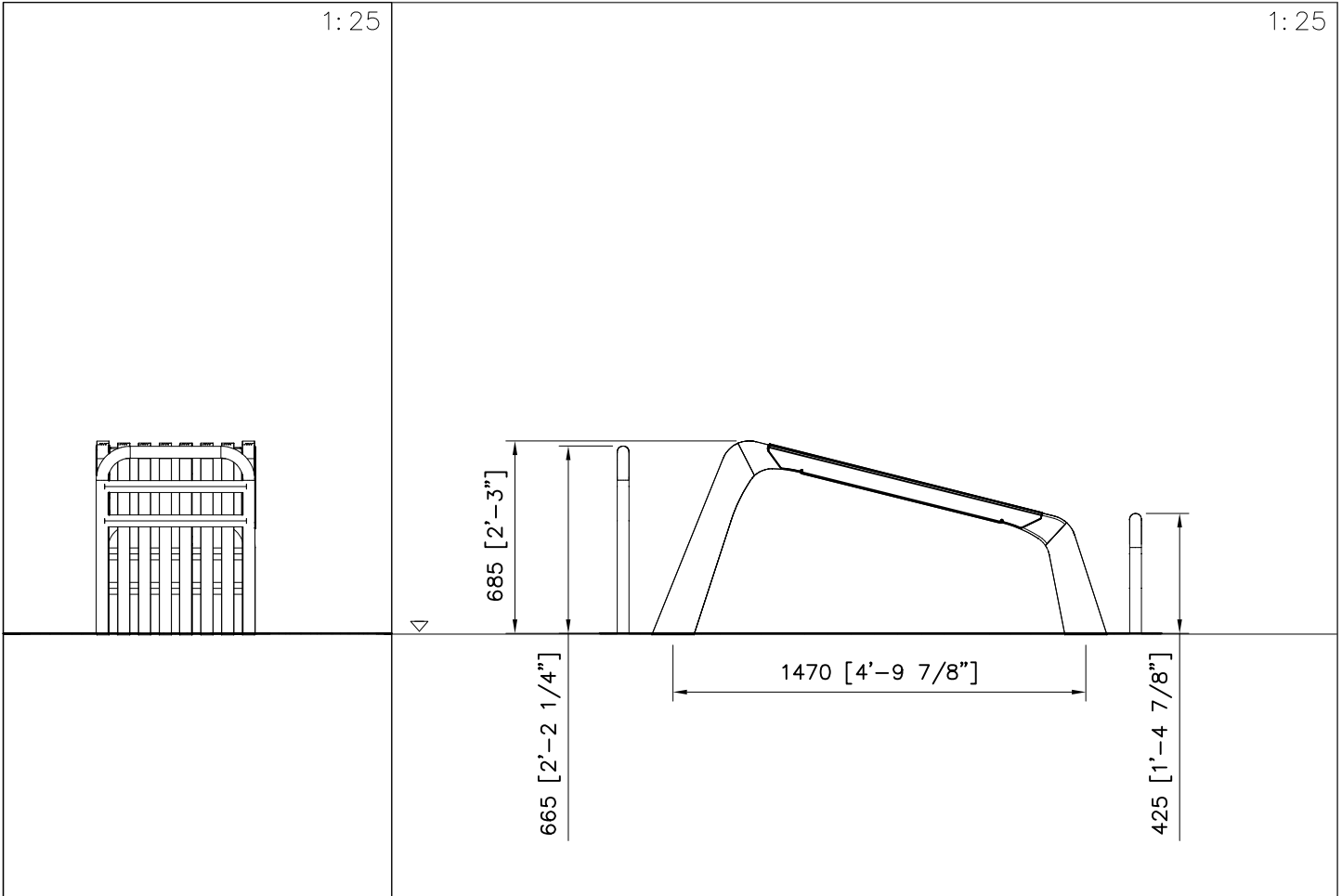


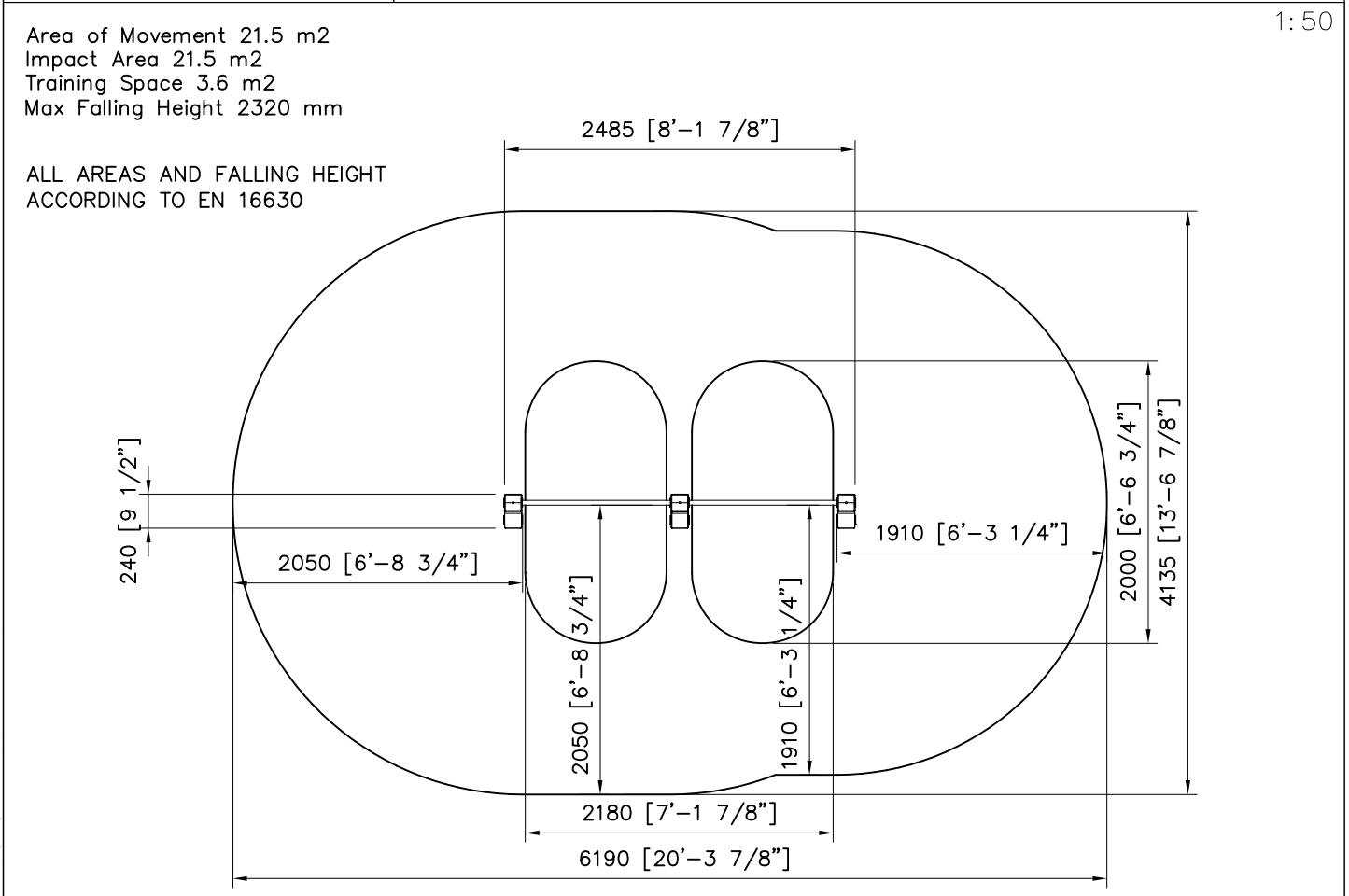
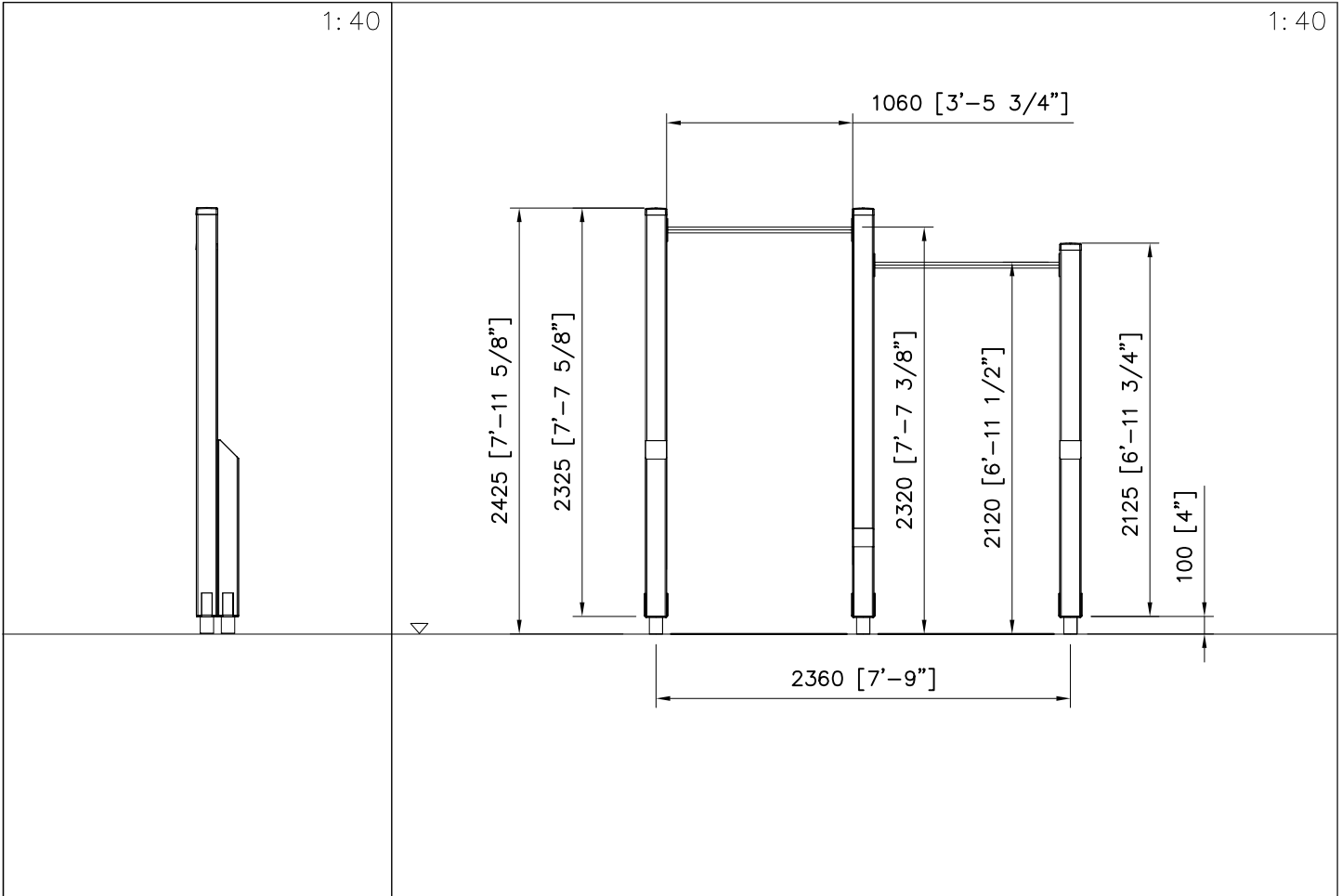
①	706024	PCS	②	705018	PCS
		1			4
				120x120x1170	
③	980114	PCS	④	980123	PCS
		4			40
	Ø4x20			Ø7x60	
⑤	905761	PCS	⑥	905830	PCS
		4			4
	120x120x700			123x123x40	
⑦	905838	PCS	⑧	905934	PCS
		2			1
	L=1060			L=485	
⑨	980104	PCS	⑩	905104	PCS
		4			16
	Ø5x90			M10	
⑪	909256	PCS			PCS
		40			
	Ø16/8.4				
		PCS			PCS
		PCS			PCS

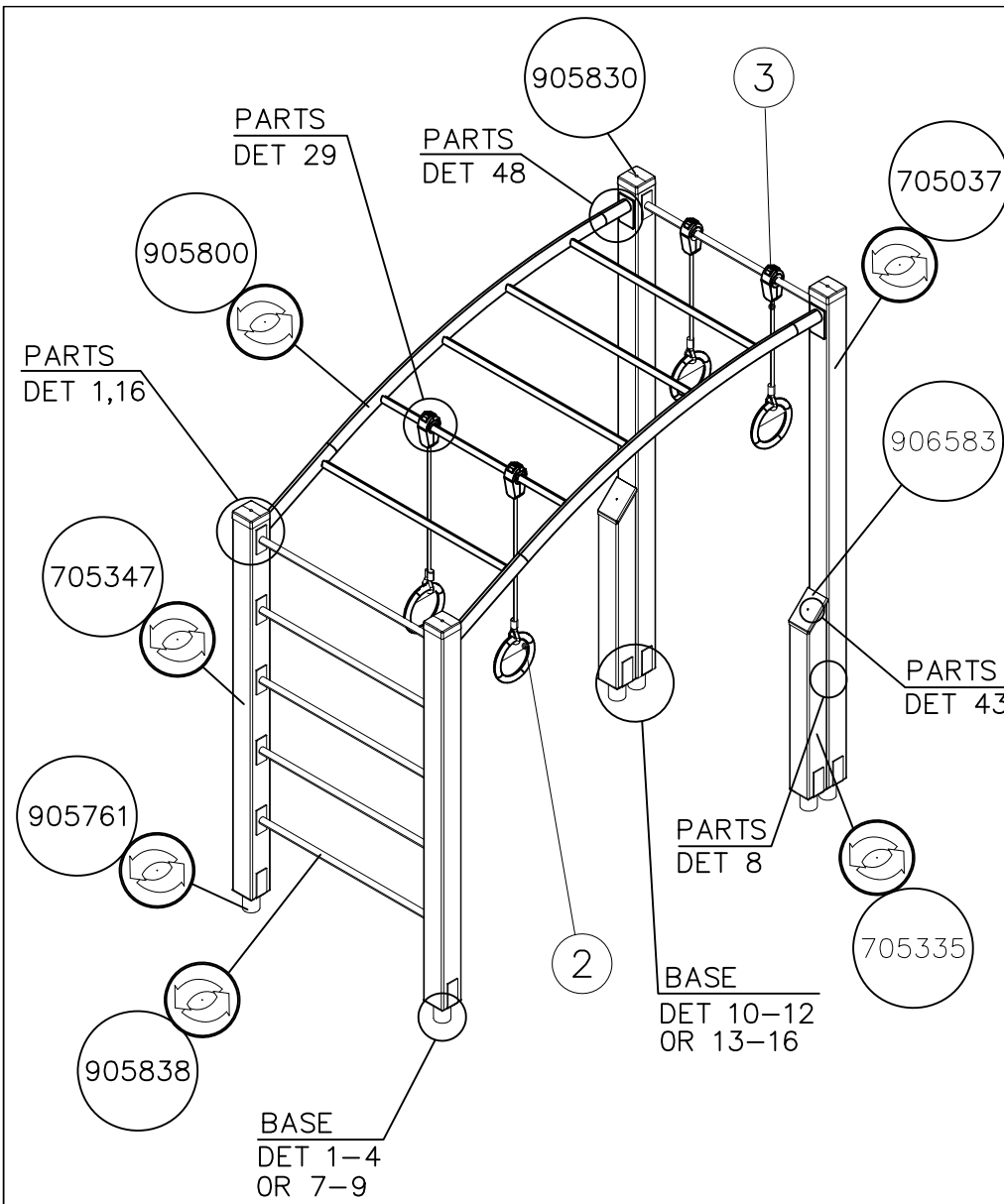




① 705094	PCS 1	② 705096	PCS 1
VATSA 700		VATSA 570	
③ 705098	PCS 1	④ 906147	PCS 1
16x471x1000		2x120x536	
⑤ 906148	PCS 2	⑥ 980102	PCS 8
2x1000		Ø5x40	
⑦ 980106	PCS 6	⑧ 980128	PCS 16
Ø5x40		Ø7x40	
⑨ 906140	PCS 1	⑩ 906152	PCS 1
565x480		565x720	
⑪ 706023	PCS 1	⑫ 980114	PCS 4
		Ø4x20	
⑬ 902272	PCS 4	⑭ 909519	PCS 4
90x90x450		50x380x380	
⑮ 909638	PCS 56	⑯ 909639	PCS 28
Ø20/10,5		M10x25	
		⑰ 906630	PCS 6
		8x60	

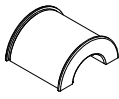
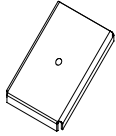
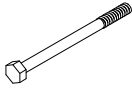






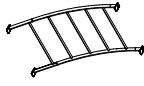





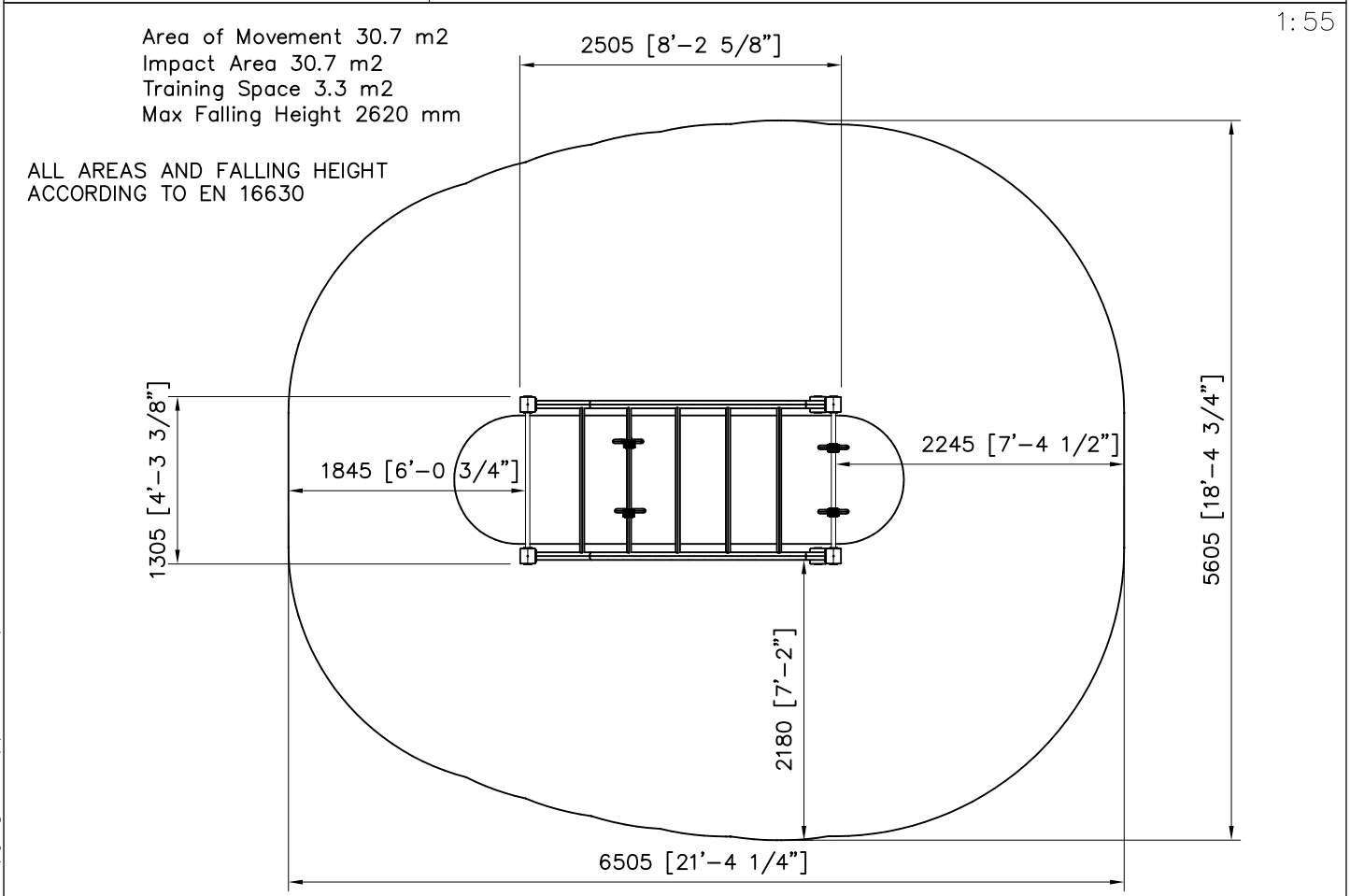
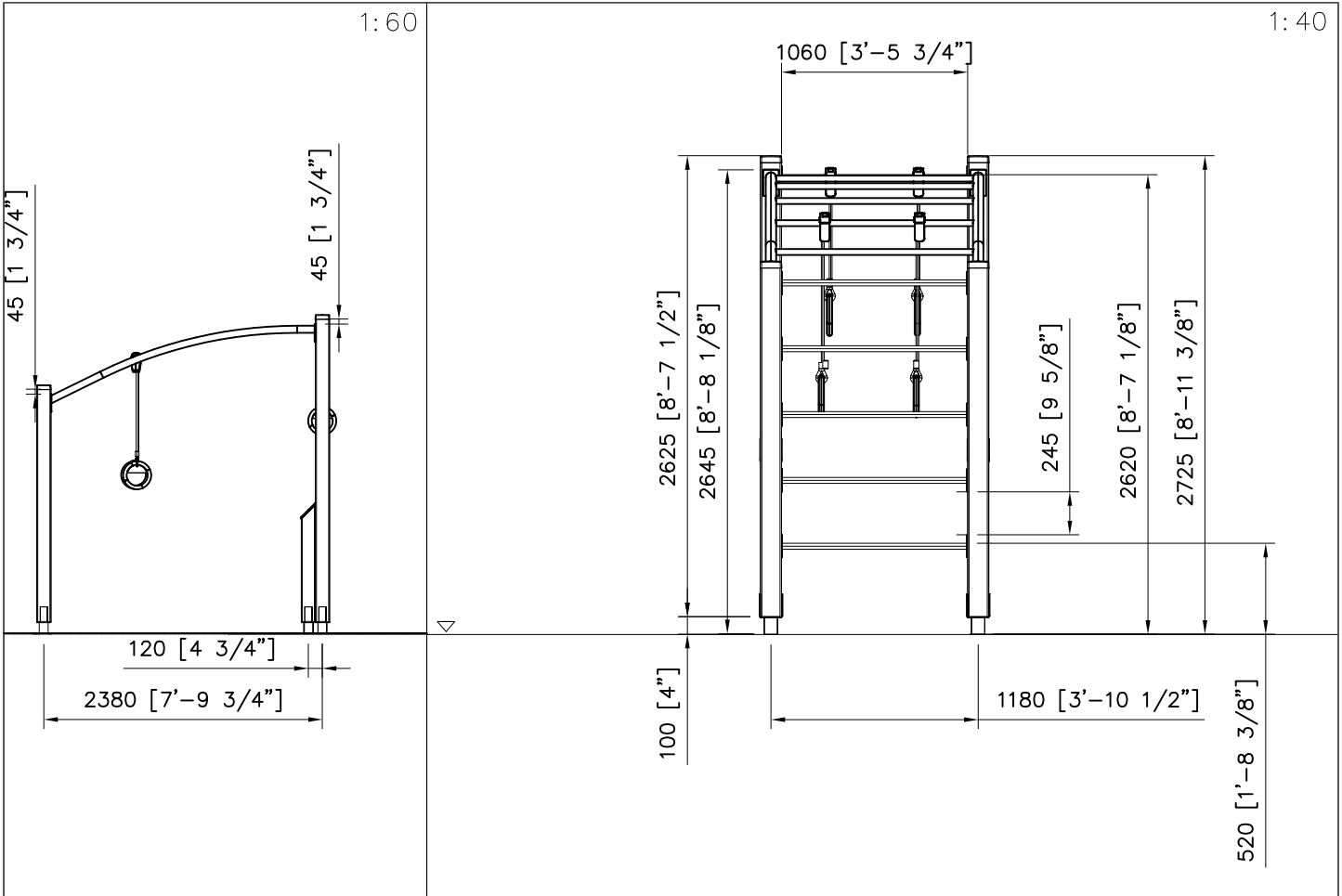


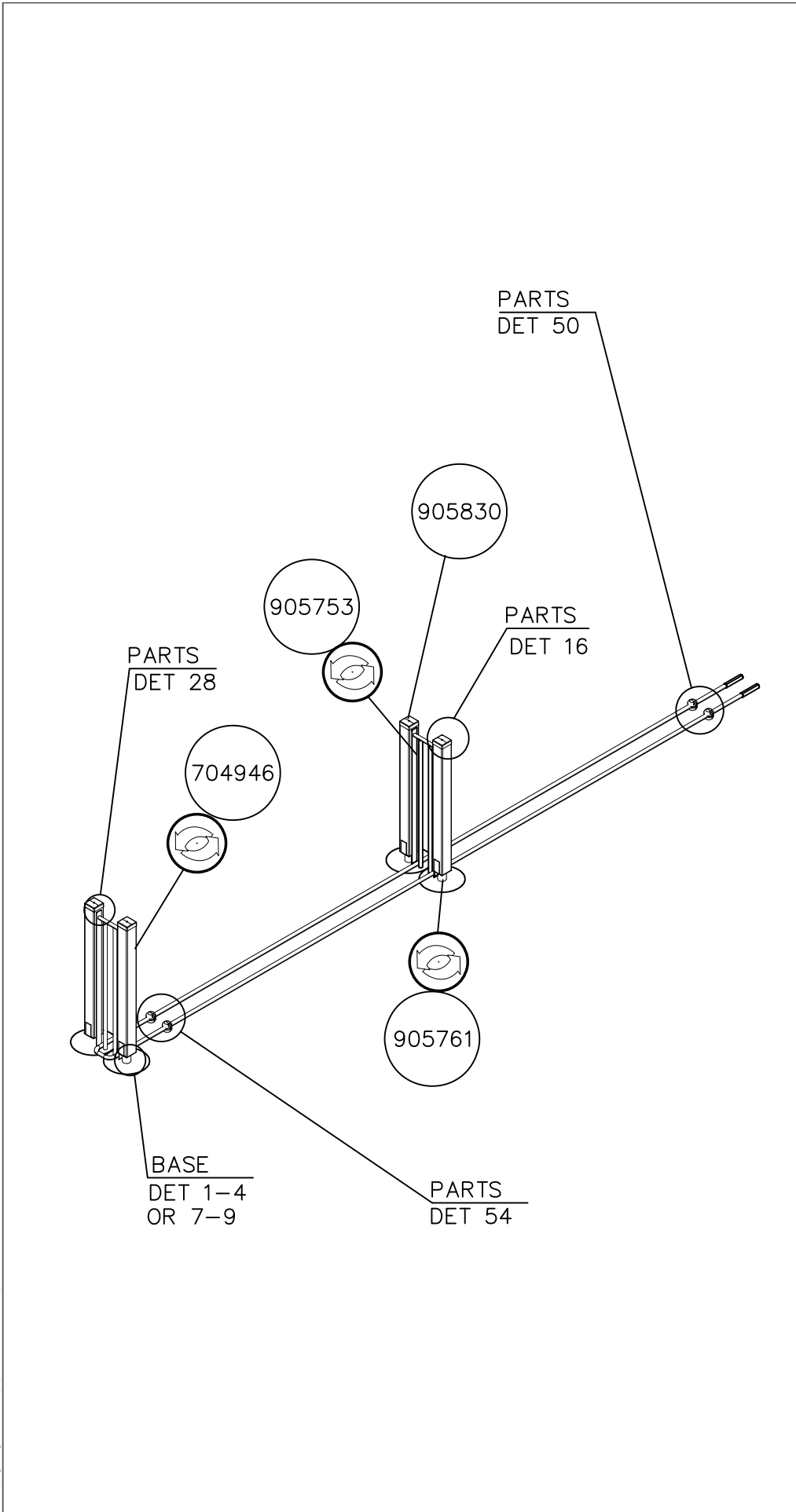


①	706026	PCS	②	705039	PCS
		1			2
				Ø16x974	
③	705040	PCS	④	705037	PCS
		2			2
	Ø16x764			120x120x2590	
⑤	705335	PCS	⑥	705347	PCS
		2			2
	120x120x1000			120x120x1990	
⑦	902195	PCS	⑧	902232	PCS
		8			4
	150x50x50			M10x55	
⑨	902233	PCS	⑩	706087	PCS
		4			1
	M10x30				
⑪	980100	PCS	⑫	905103	PCS
		2			6
	Ø5x60			PT-28/32-H	
⑬	905104	PCS	⑭	905761	PCS
		24			6
	M10			120x120x700	
⑮	905830	PCS	⑯	905838	PCS
		4			6
	123x123x40			L=1060	

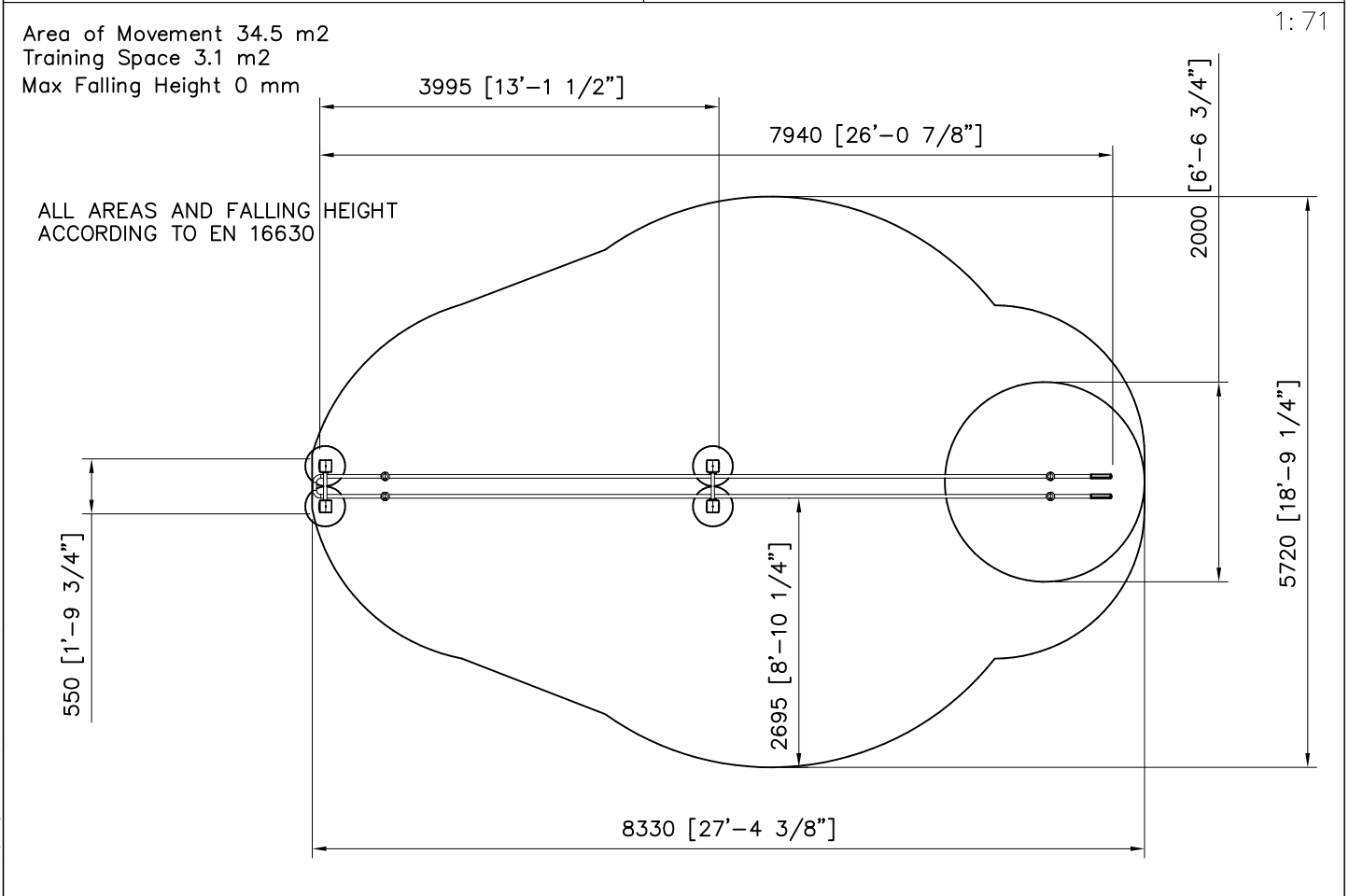
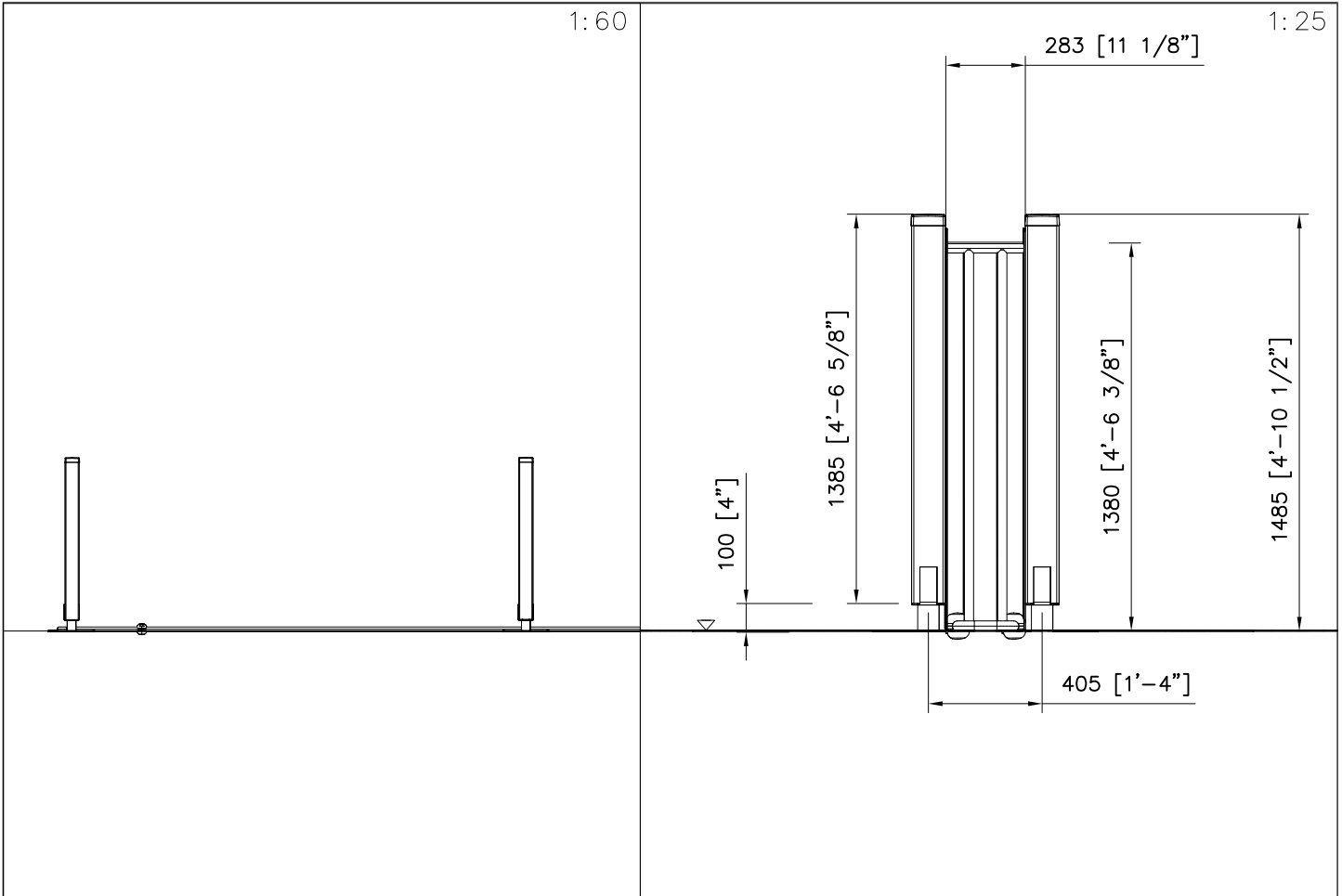


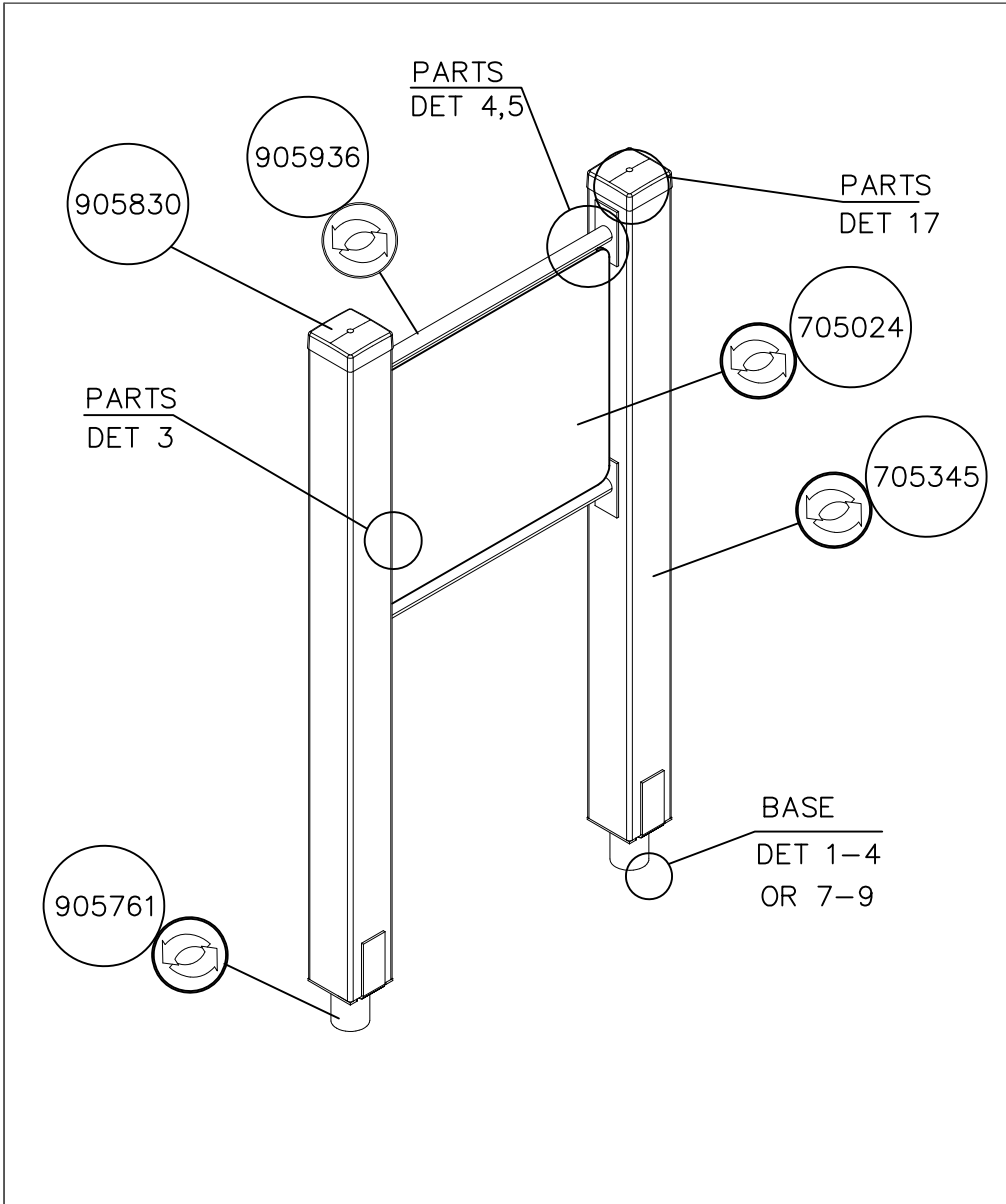
<p>①7 906006 PCS</p>  <p>8</p> <p>Ø64/34,5x59</p>	<p>①8 906583 PCS</p>  <p>2</p> <p>126x181x14x3</p>	<p>①9 909246 PCS</p>  <p>6</p> <p>M12x140</p>	<p>②0 980114 PCS</p>  <p>16</p> <p>Ø4x20</p>	<p>②1 900240 PCS</p>  <p>16</p> <p>Ø8x70</p>	<p>②2 980104 PCS</p>  <p>4</p> <p>Ø5x90</p>
<p>②3 980123 PCS</p>  <p>72</p> <p>Ø7x60</p>	<p>②4 980154 PCS</p>  <p>6</p> <p>Ø24/13</p>	<p>②5 980161 PCS</p>  <p>8</p> <p>M10</p>	<p>②6 905800 PCS</p>  <p>1</p> <p>2260x600x1270</p>	<p>②7 909256 PCS</p>  <p>72</p> <p>Ø16/8.4</p>	<p>②8 706263 PCS</p>  <p>1</p>
					<p>②9 702339 PCS</p>  <p>1</p> <p>118x78</p>





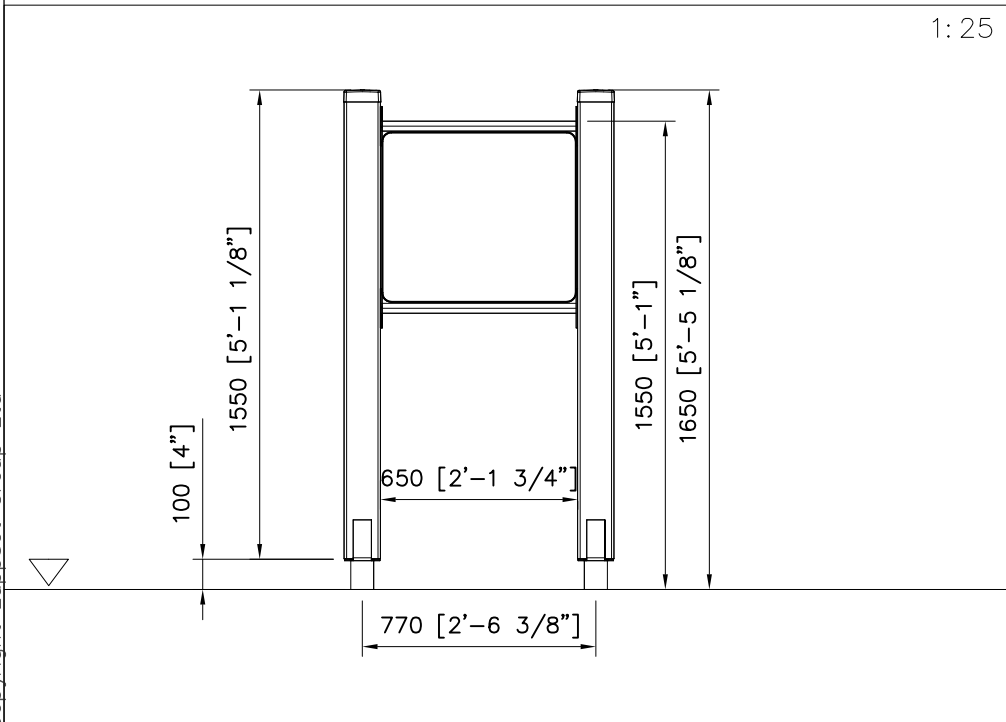
①	706032	PCS	②	705158	PCS
		1			1
				Ø37x16000	
③	704946	PCS	④	980114	PCS
		4			4
	120x120x1350			Ø4x20	
⑤	905761	PCS	⑥	905830	PCS
		4			4
	120x120x700			123x123x40	
⑦	980104	PCS	⑧	980123	PCS
		4			24
	Ø5x90			Ø7x60	
⑨	905753	PCS	⑩	905104	PCS
		2			16
	283x1477			M10	
⑪	980100	PCS	⑫	909256	PCS
		16			24
	Ø5x60			Ø16/8.4	
		PCS			PCS
		PCS			PCS

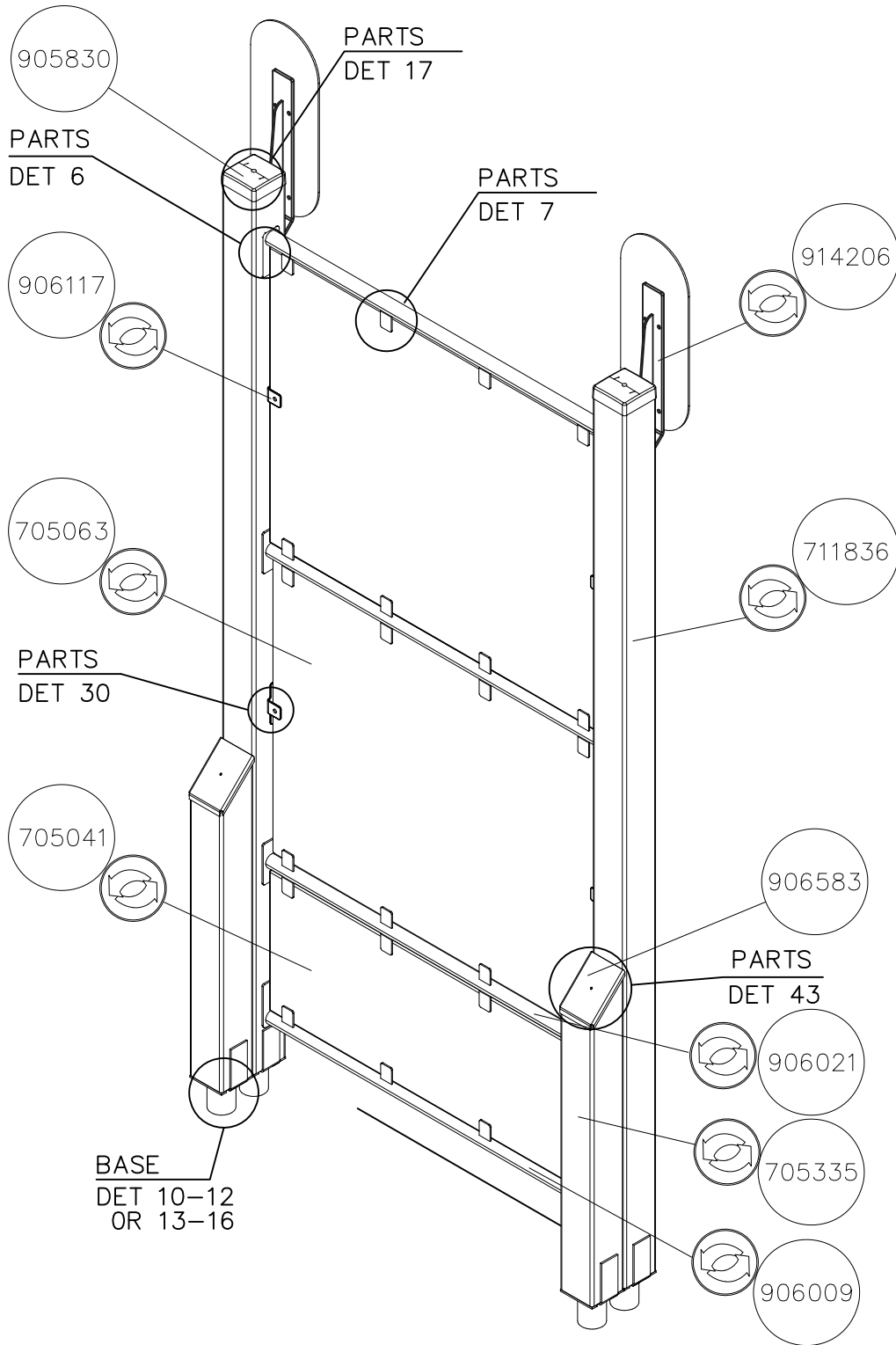




① 705024	PCS	② 705345	PCS
	1		2
15x640x560		120x120x1520	
③ 909633	PCS	④ 905104	PCS
	8		8
M8		M10	
⑤ 905761	PCS	⑥ 905830	PCS
	2		2
120x120x700		123x123x40	
⑦ 905936	PCS	⑧ 909256	PCS
	2		28
L=652		Ø16/8.4x1.6	
⑨ 909855	PCS	⑩ 980104	PCS
	8		2
M8x35		Ø5x90	
⑪ 980123	PCS		PCS
	20		
Ø7x60			
⑫ 901899	PCS		PCS
Optio	8		
M8x45			
	PCS		PCS

1: 25







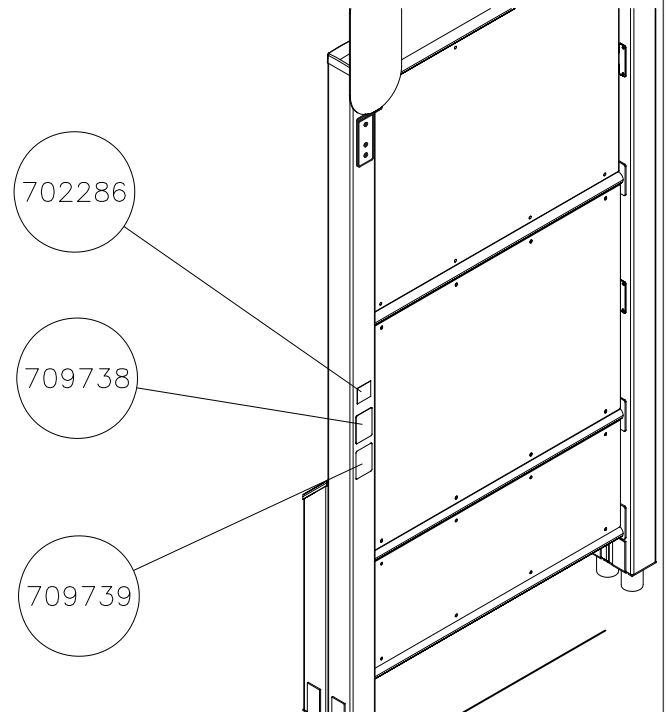
① 702286 65x65	PCS 1	② 914206 118x78	PCS 2	④ 709738 118x78	PCS 1	④ 709739 118x78	PCS 1	⑤ 900240 Ø8x70x	PCS 6	⑥ 905103 PT-28/32-H	PCS 6
⑦ 905104 M10	PCS 16	⑧ 905830 120x120x40	PCS 2	⑨ 906583 129x181x14x3	PCS 2	⑩ 909246 M12x140	PCS 6	⑪ 909256 Ø16/8.4	PCS 32	⑫ 909633 M8	PCS 28
⑬ 909852 M8x30	PCS 28	⑭ 980100 Ø5x60	PCS 2	⑮ 980104 Ø5x90	PCS 2	⑯ 980114 Ø4x20	PCS 12	⑰ 980123 Ø7x60	PCS 54	⑱ 980152 Ø24/8.4	PCS 28
⑲ 980154 Ø24/13	PCS 6	⑳ 705041 19x451x1240	PCS 1	㉑ 705063 19x951x1240	PCS 2	㉒ 705335 118x118x1000	PCS 2	㉓ 711836 118x118x2800	PCS 2	㉔ 906009 Ø42,4x1252	PCS 2
㉕ 906021 Ø42,4x1252	PCS 2	㉖ 906117 130x44x52	PCS 4		PCS						

OPTIONS DEEP

○ 905761 120x120x700	PCS 4		PCS
-----------------------------	----------	--	-----

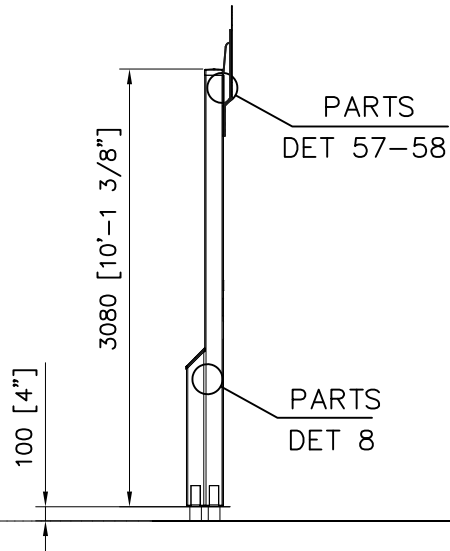
OPTIONS SURFACE

○ 906557 240x120x150	PCS 2	○ 904450 M16x170	PCS 8
-----------------------------	----------	-------------------------	----------

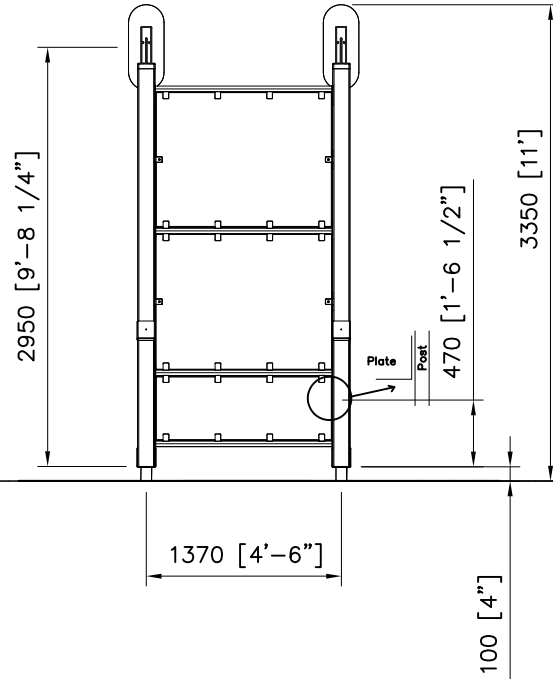




1: 49



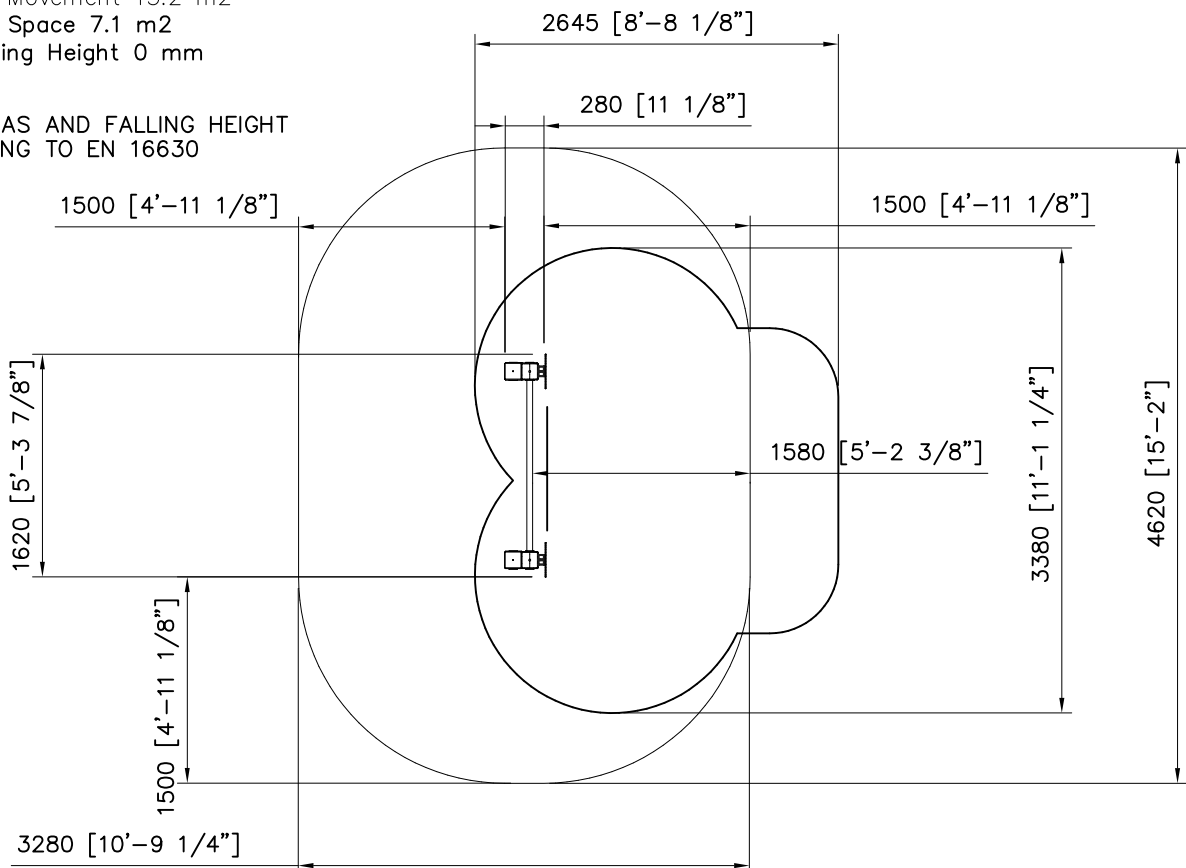
1: 53

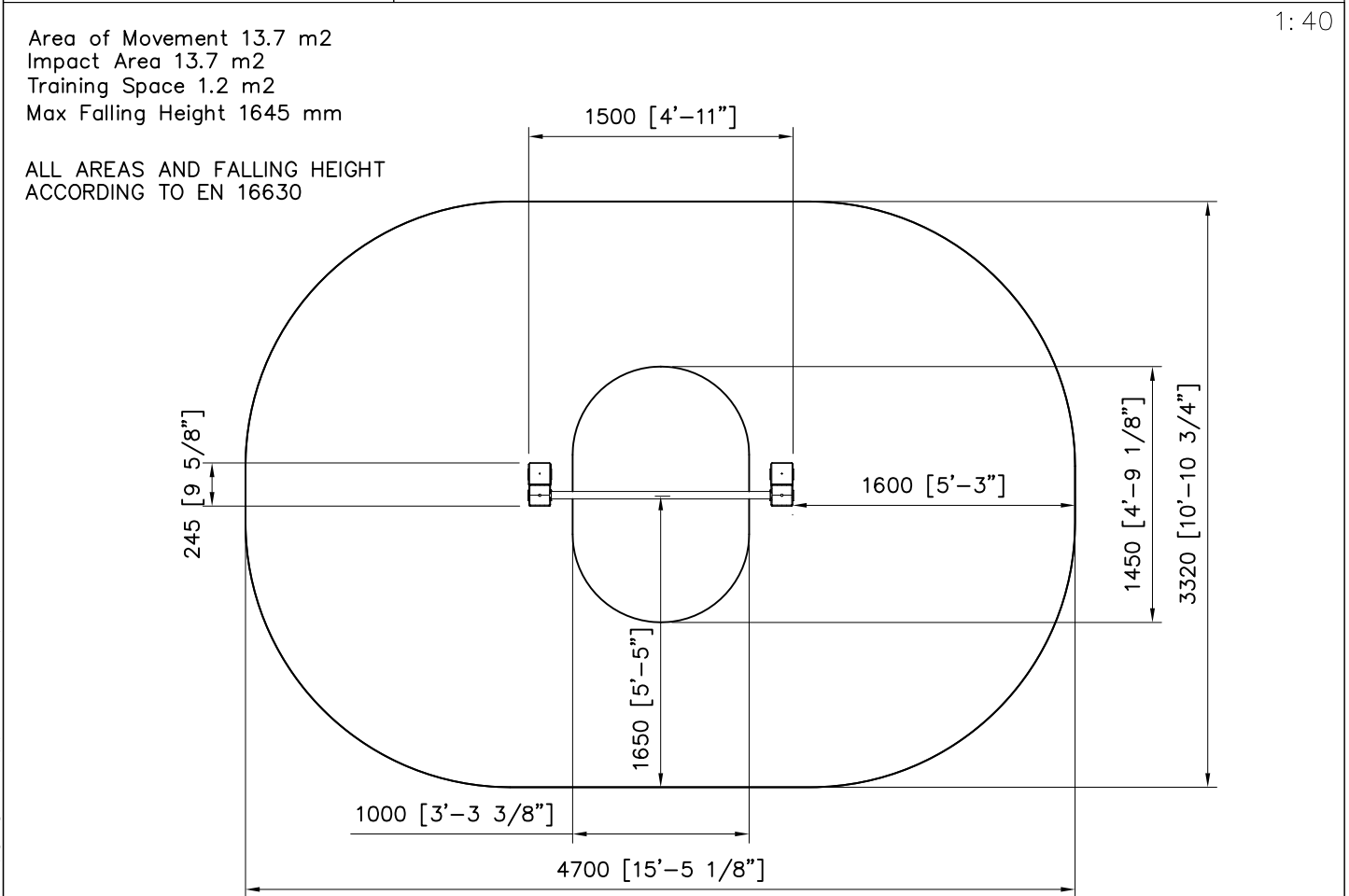
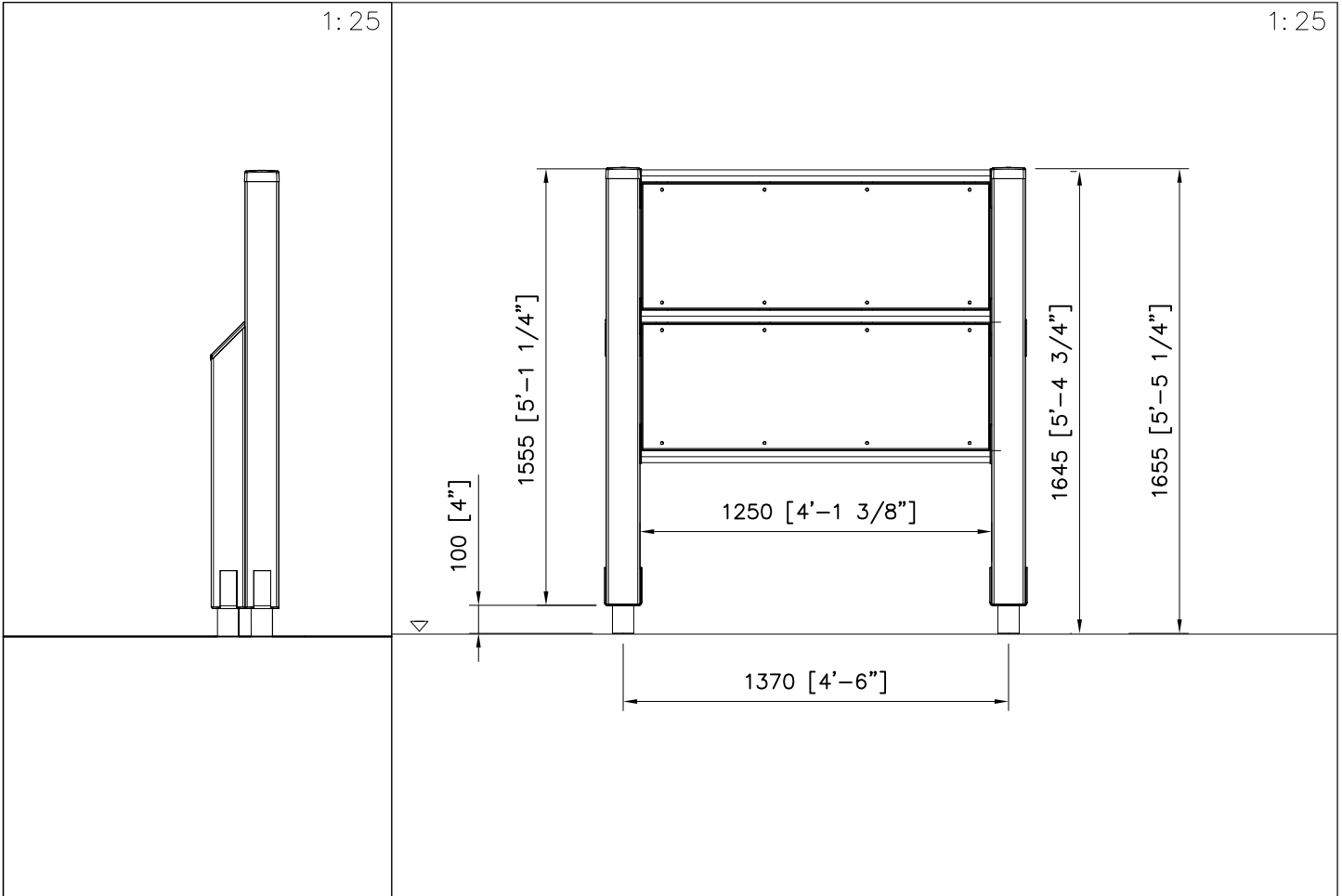


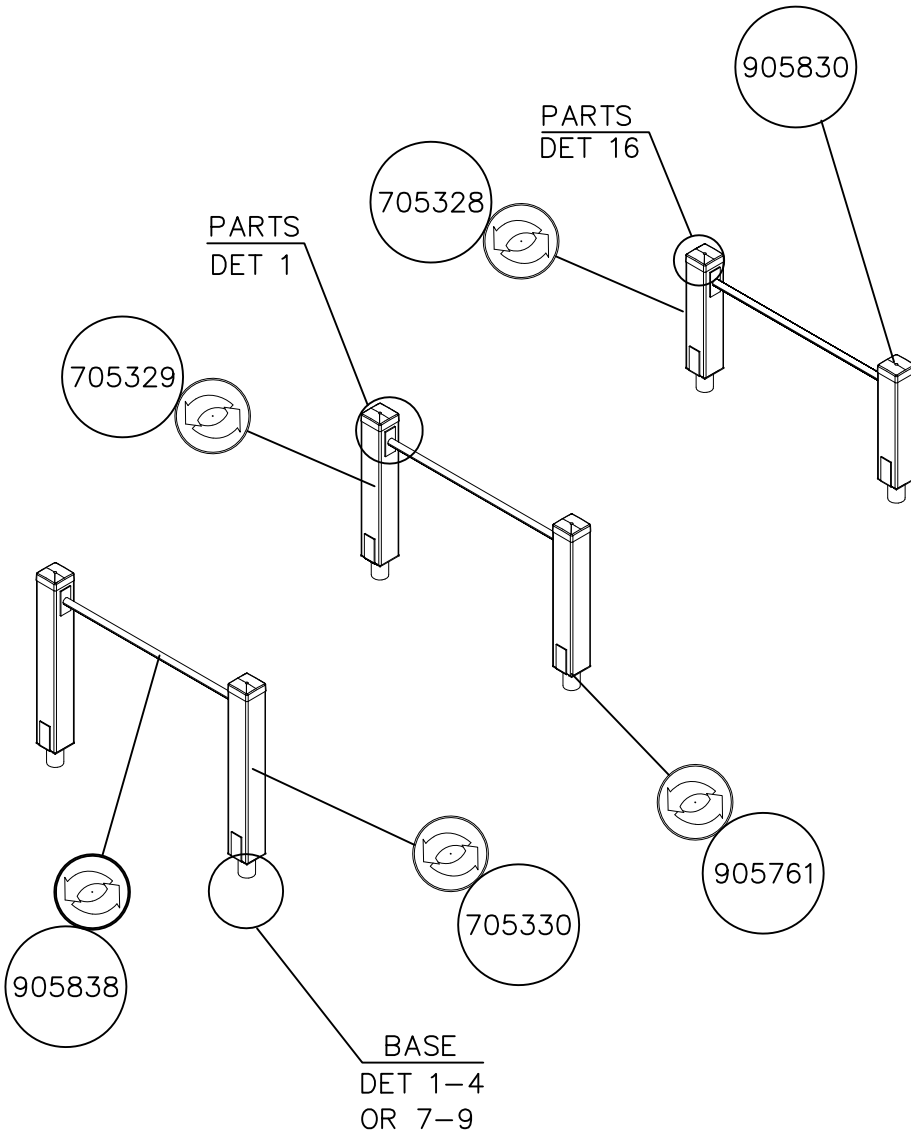
Area of Movement 13.2 m²
Training Space 7.1 m²
Max Falling Height 0 mm

1: 55

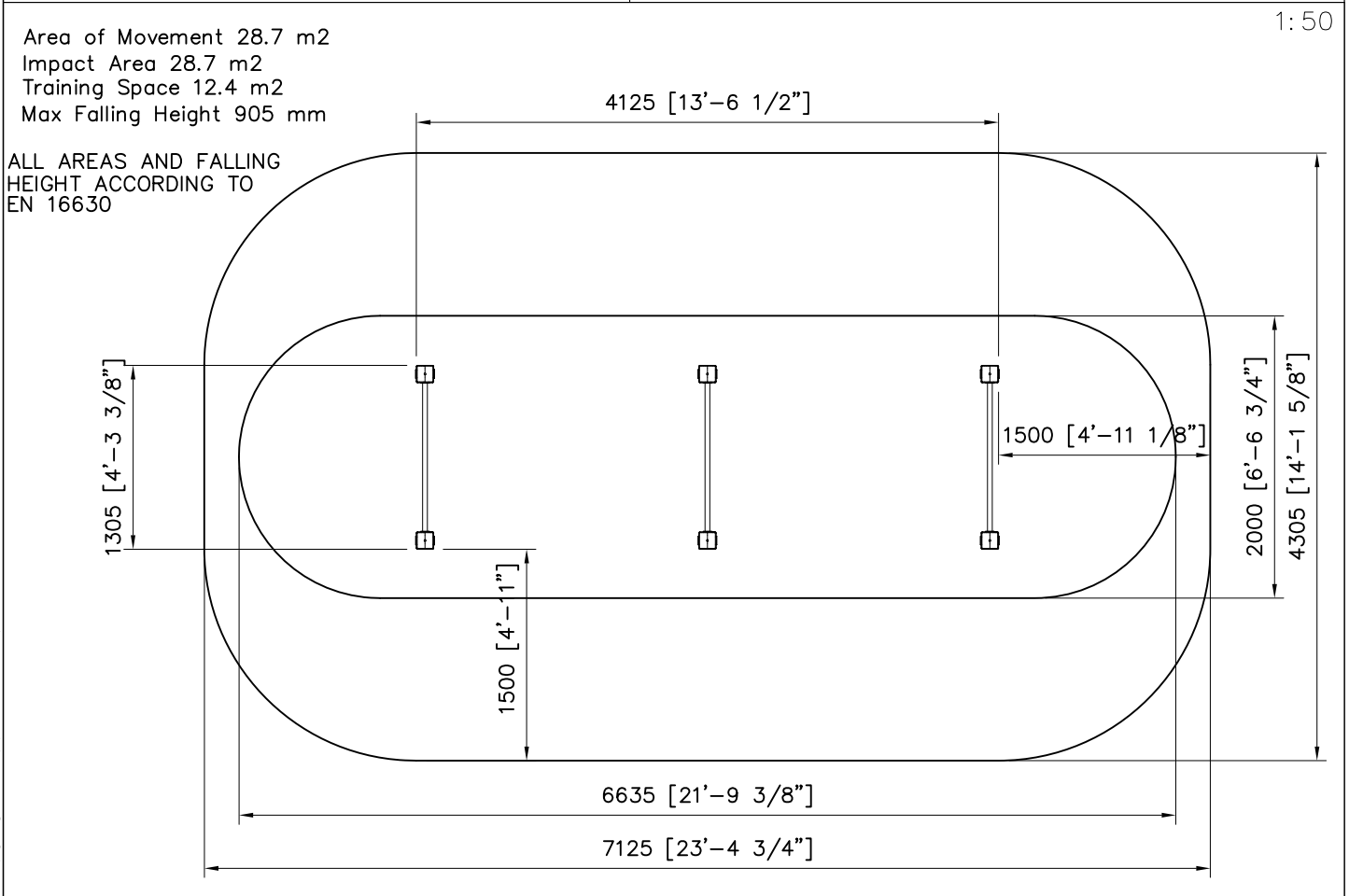
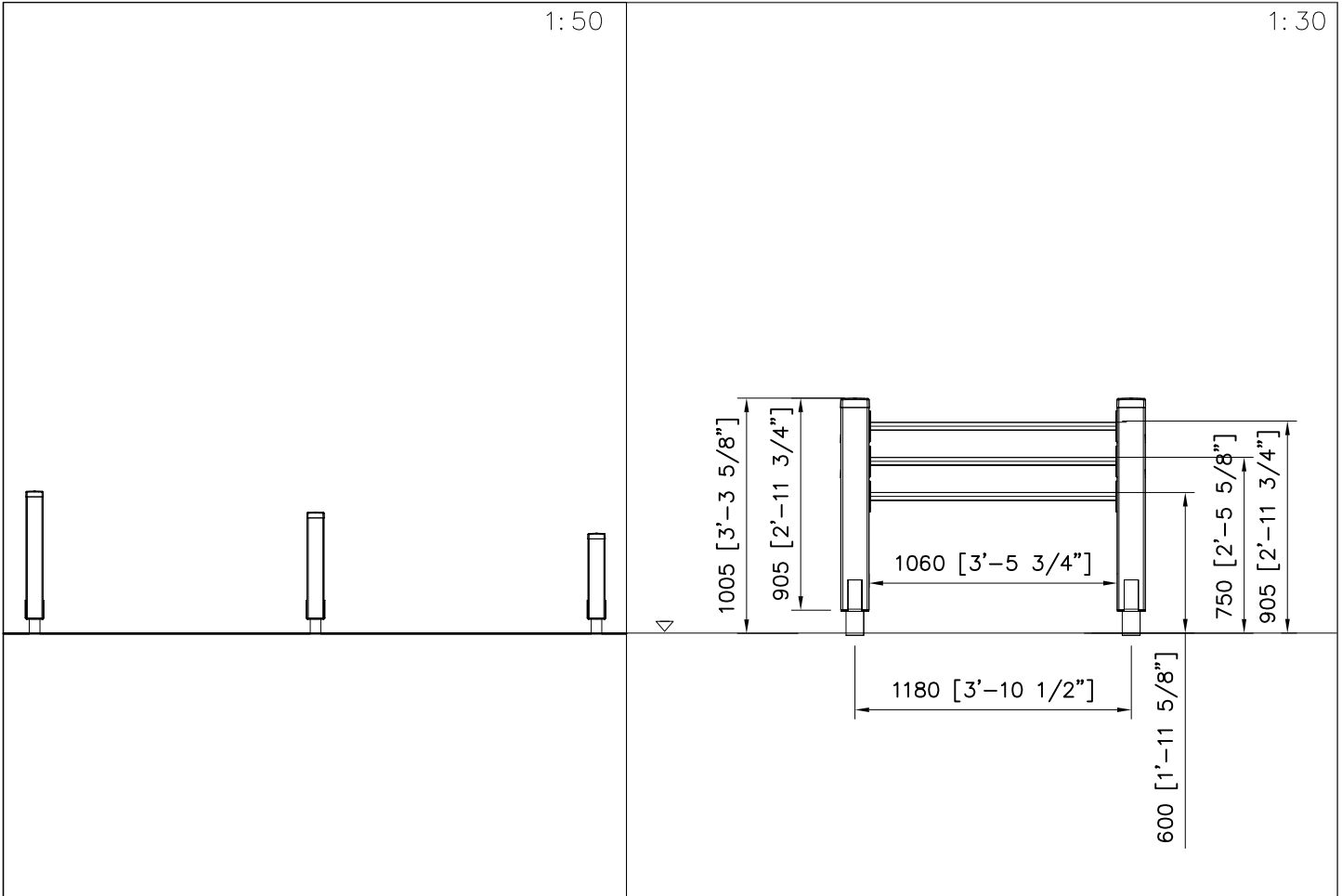
ALL AREAS AND FALLING HEIGHT
ACCORDING TO EN 16630







①	706031	PCS	②	705328	PCS
		1			2
				120x120x570	
③	705329	PCS	④	705330	PCS
		2			2
	120x120x720			120x120x870	
⑤	980114	PCS	⑥	905838	PCS
		4			3
	Ø4x20			L=1060	
⑦	905104	PCS	⑧	905761	PCS
		24			6
	M10			120x120x700	
⑨	905830	PCS	⑩	980104	PCS
		6			6
	123x123x40			Ø5x90	
⑪	980123	PCS	⑫	909256	PCS
		48			48
	Ø7x60			Ø16/8.4	
		PCS			PCS
		PCS			PCS



		
<p>$h < 600$</p> <p>Without movement and therefore without Impact Area</p>	<p>Totally hard surfaces.</p> <p>Note. Lappset does <u>not recommend</u> totally hard surfaces at all.</p>	<p>E.g. concrete or asphalt</p> 
<p>$h < 600$</p> <p>With movement e.g. rocking</p>	<p>Materials with very limited impact attenuating properties.</p>	<p>E.g. wood</p> 
<p>$h < 1000$</p>	<p>Materials with significant impact attenuating properties.</p>	<p>fine gravel 0–8 mm</p>  <p>grass</p>  <p>unsorted sand</p> 
<p>$h < 3000$</p>	<p>Loose fill material</p> <p>E.g. sand/gravel 0,25...8 mm D60/D10<3,0 Woodchips 5...30 mm bark 20...80 mm</p>	 <p>\underline{S} \underline{h}</p> <p>30 cm < 2,0 m</p> <p>40 cm < 3,0 m</p>
	<p>Syntethic granulates</p> <p>\underline{S} \underline{h}</p> <p>40 mm ~> 1,2...1,3 m</p> <p>50 mm ~> 1,5...1,7 m</p> <p>60 mm ~> 1,8...2,0 m</p> <p>70 mm ~> 2,1...2,5 m</p> <p>Note. For accurate values, see manufacturer's instructions.</p>	

REMOVE SAFETY SURFACE/SAND/GRAVEL
TO CHECK FOUNDATION

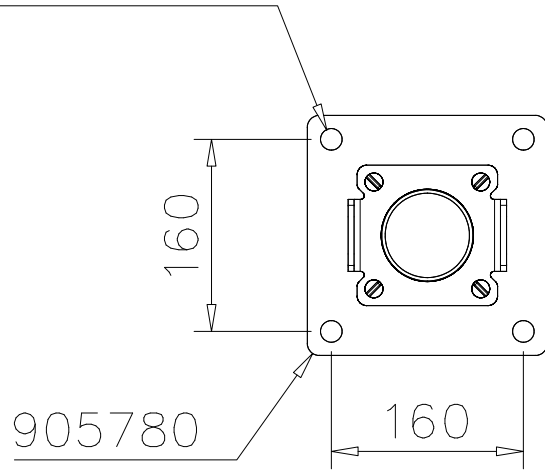


REMOVE SAFETY SURFACE/SAND/GRAVEL
TO CHECK FOUNDATION

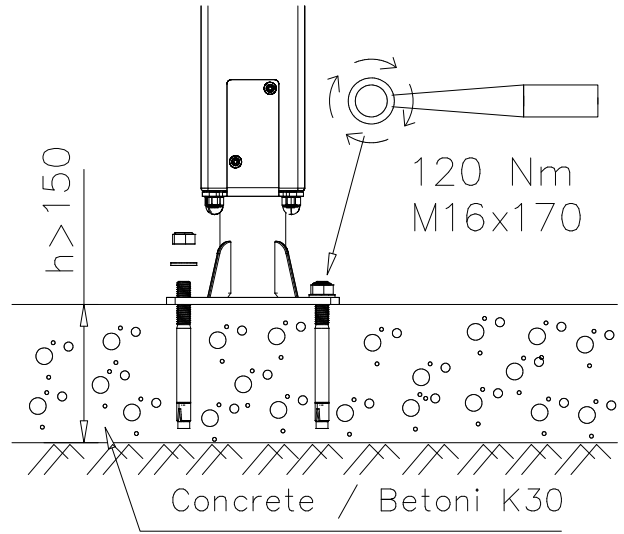


DET 1

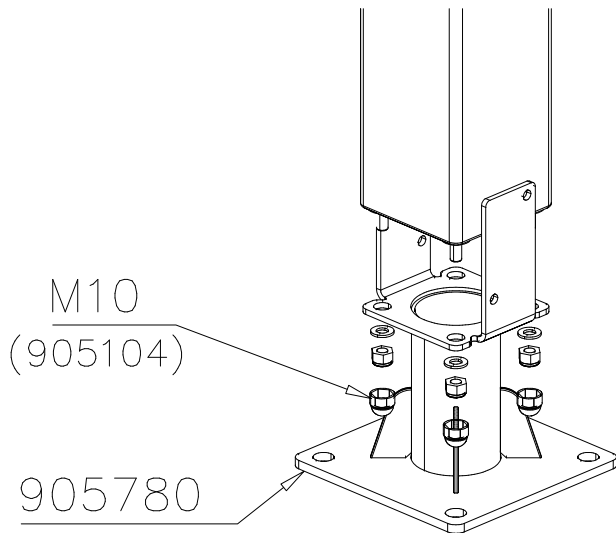
$\varnothing 16 \downarrow > 130$



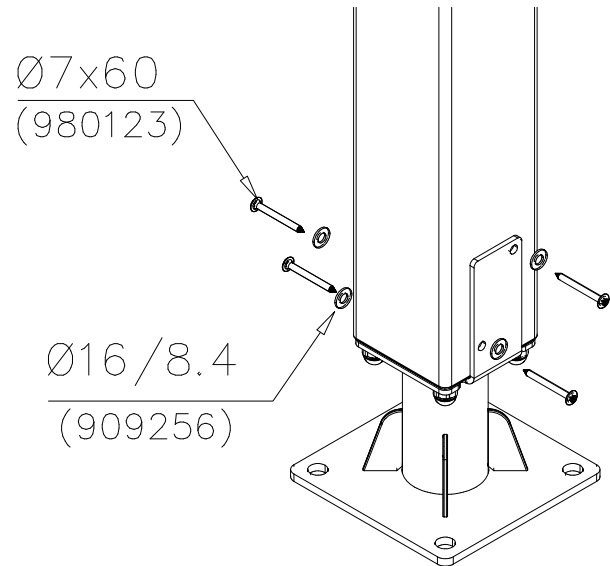
DET 2



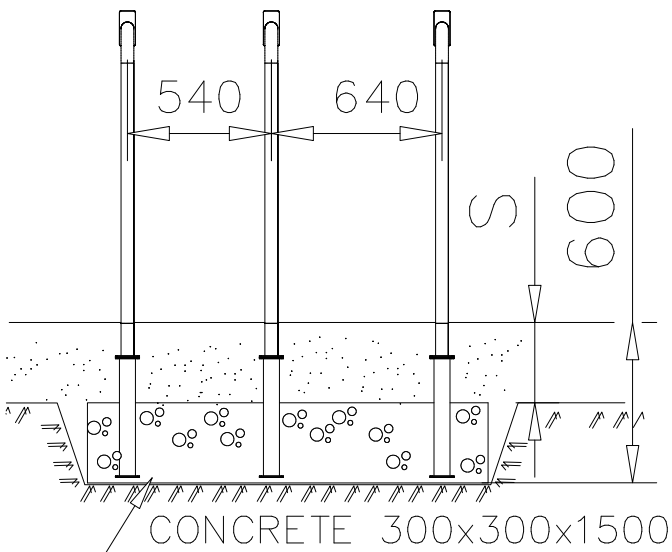
DET 3



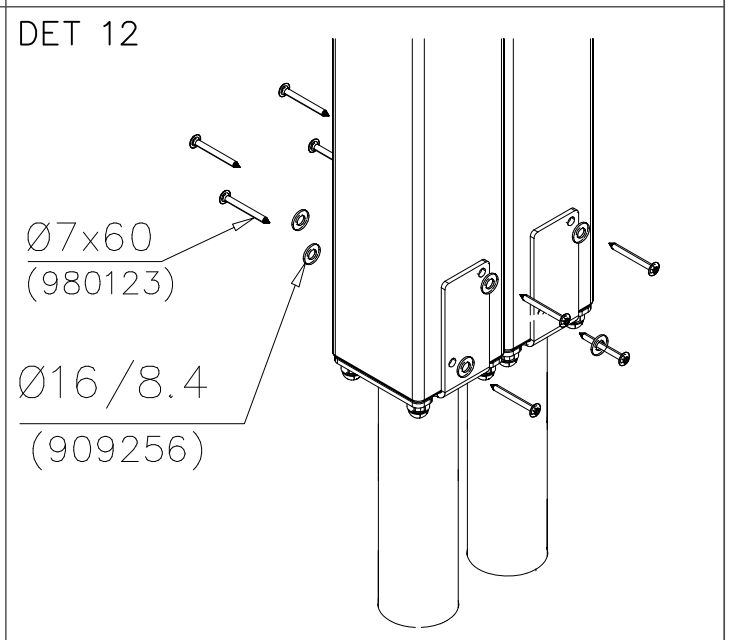
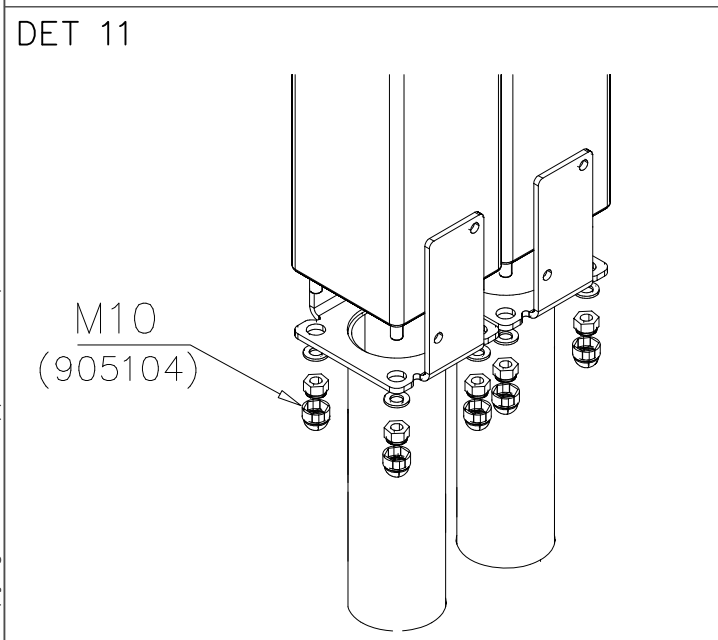
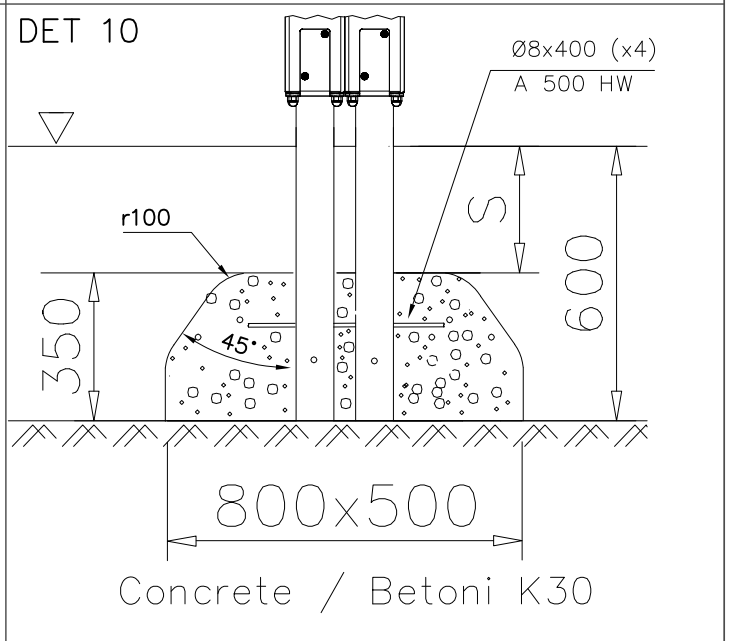
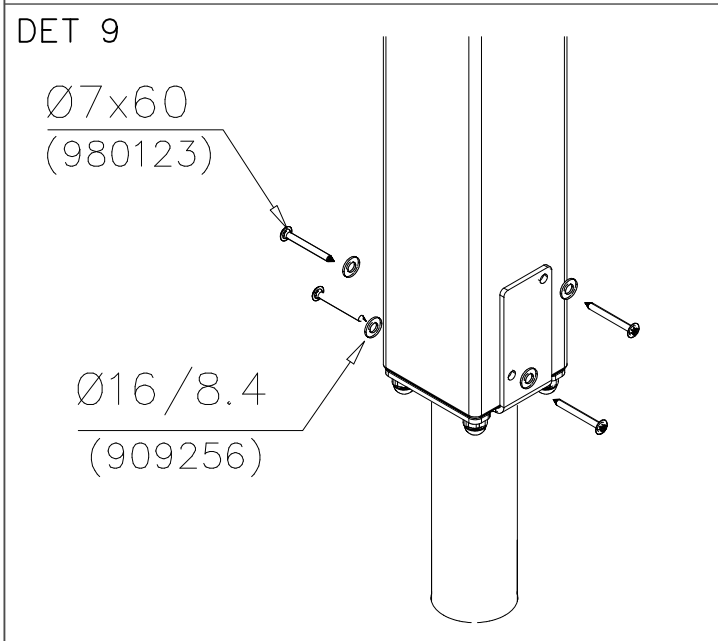
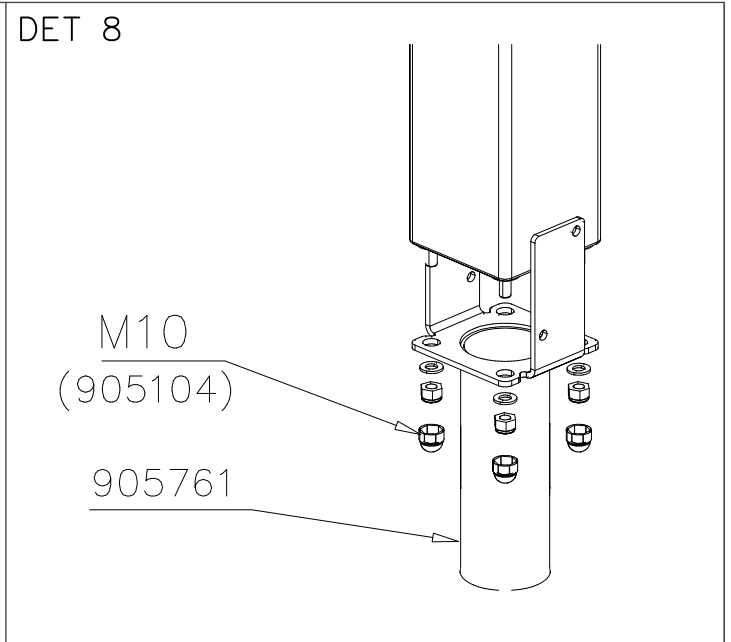
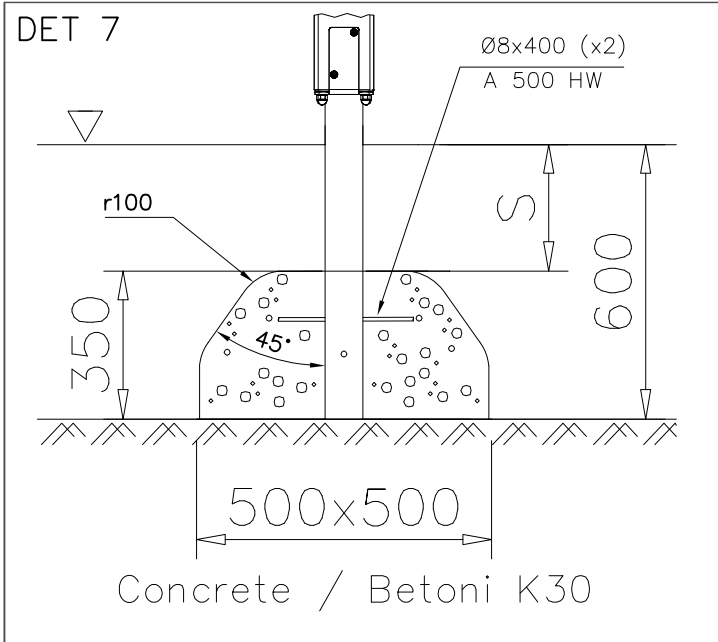
DET 4



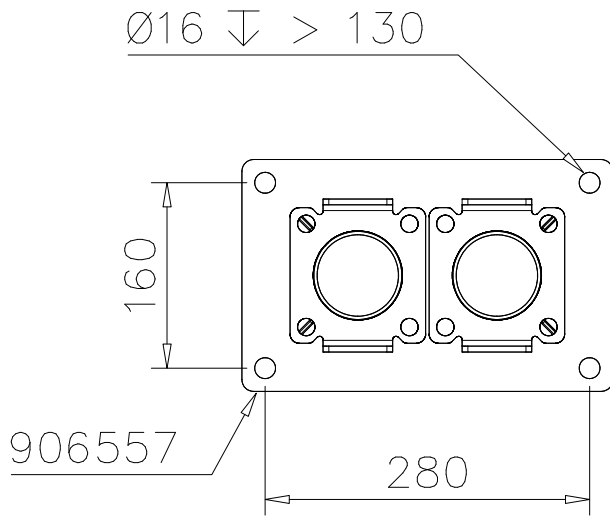
DET 5



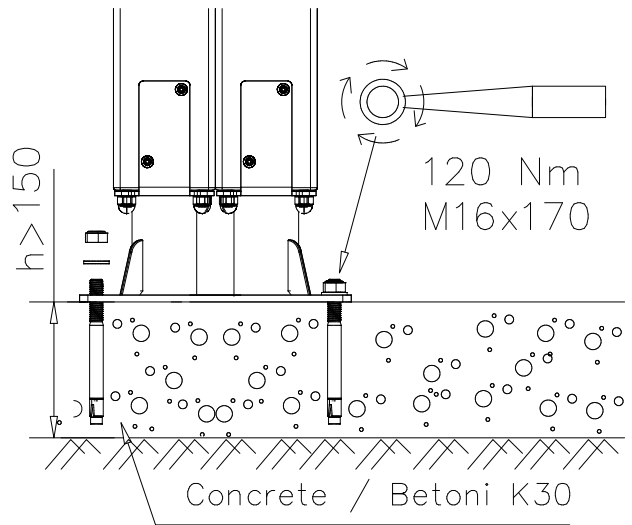
DET 6



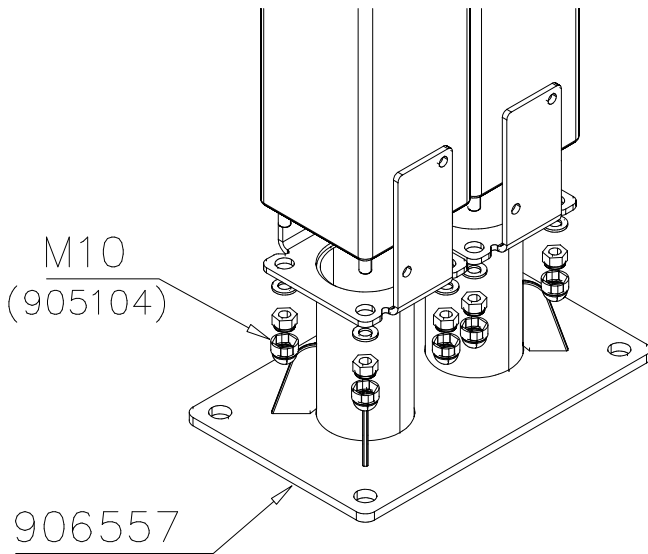
DET 13



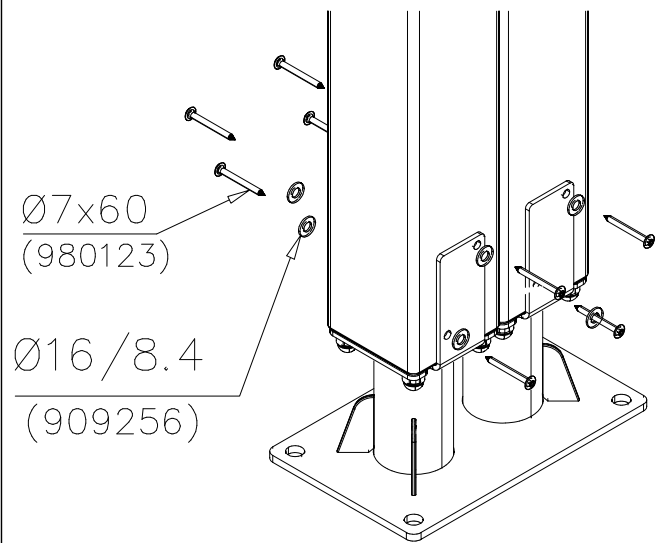
DET 14



DET 15

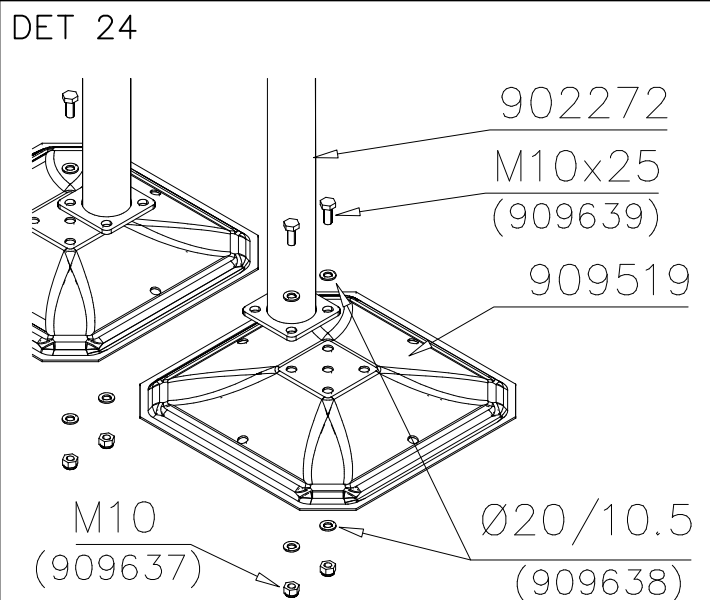
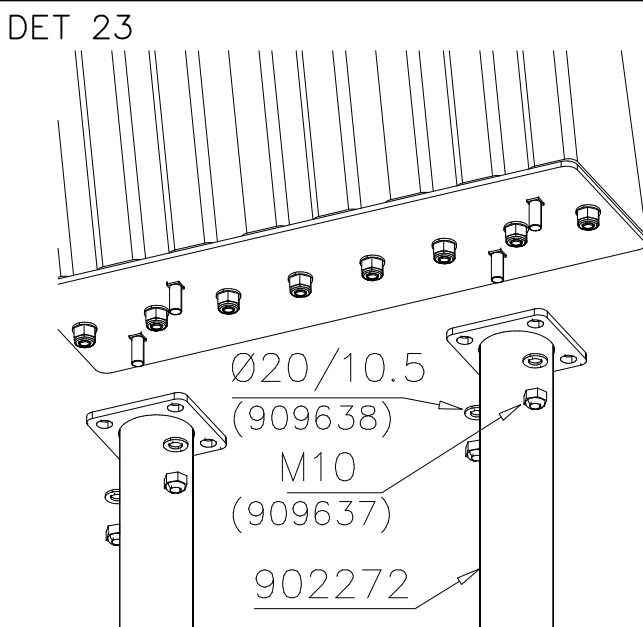
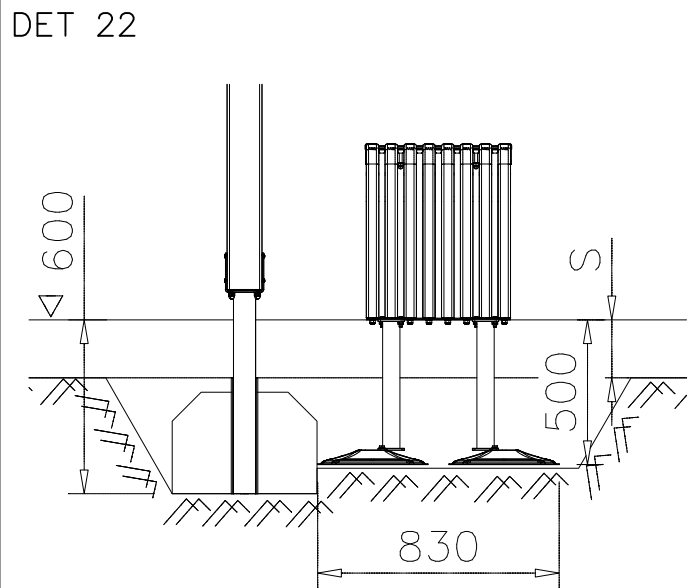
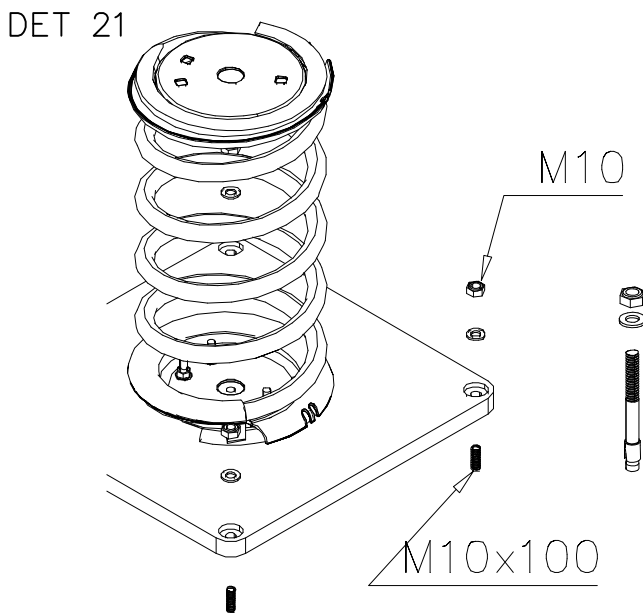
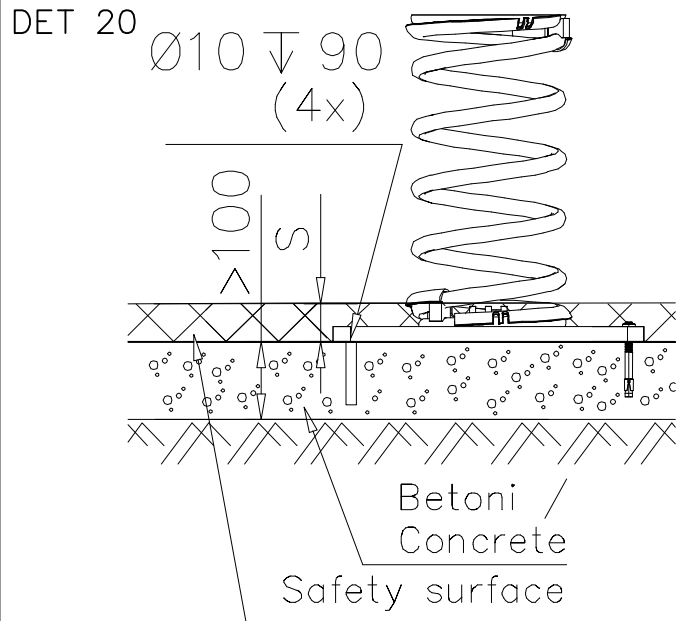
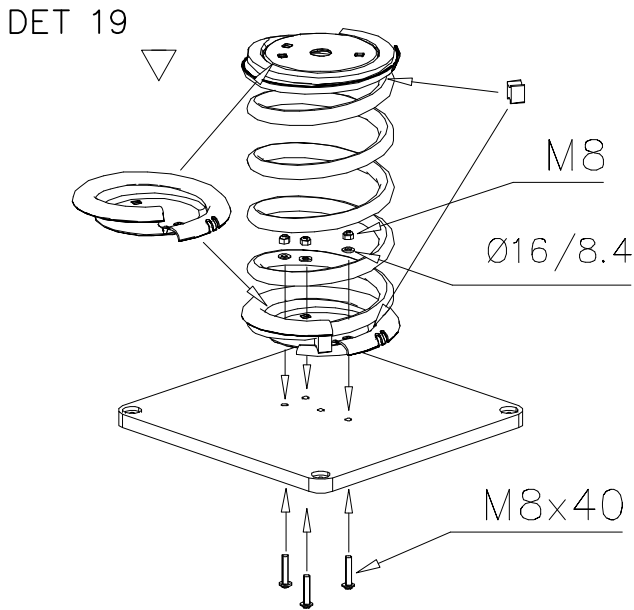


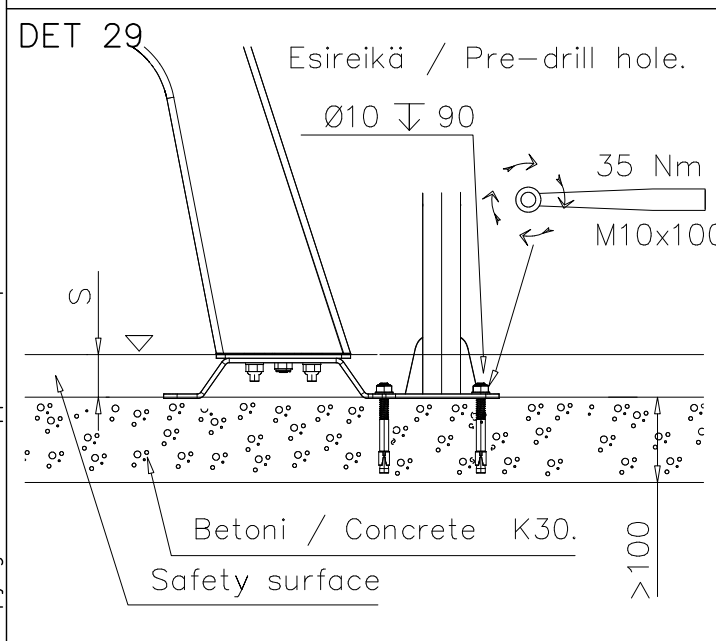
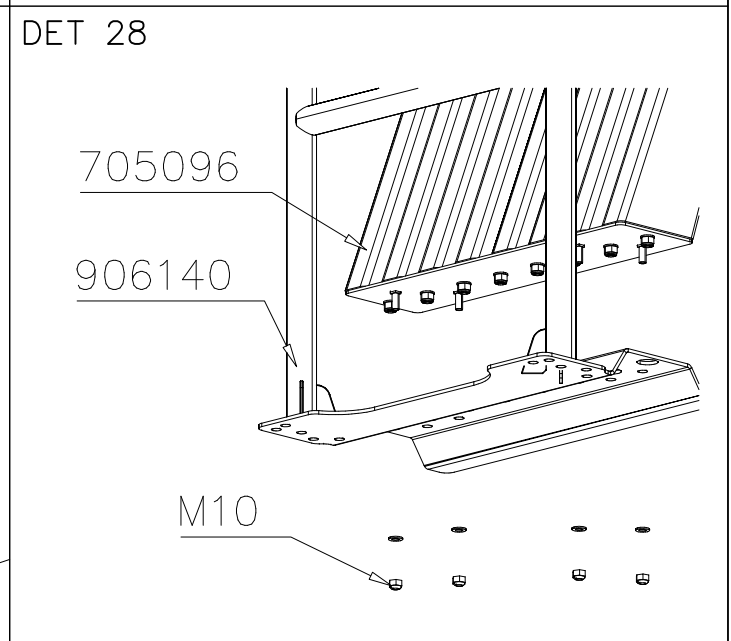
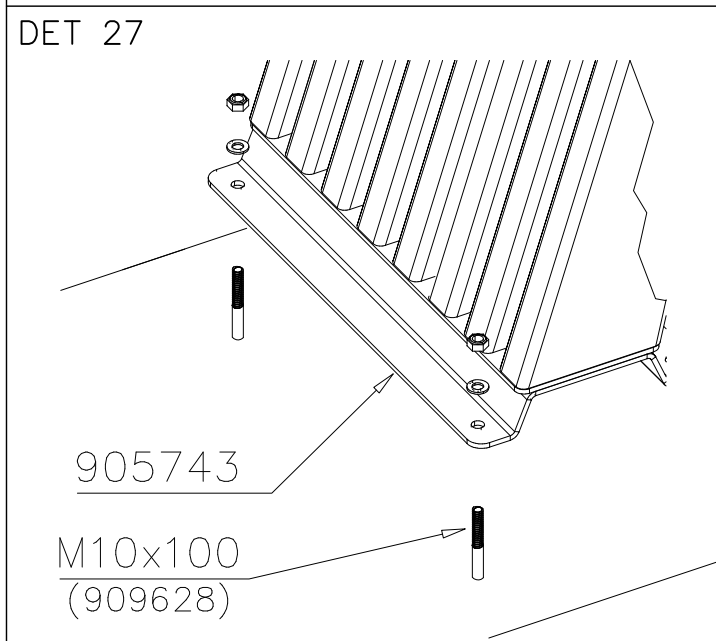
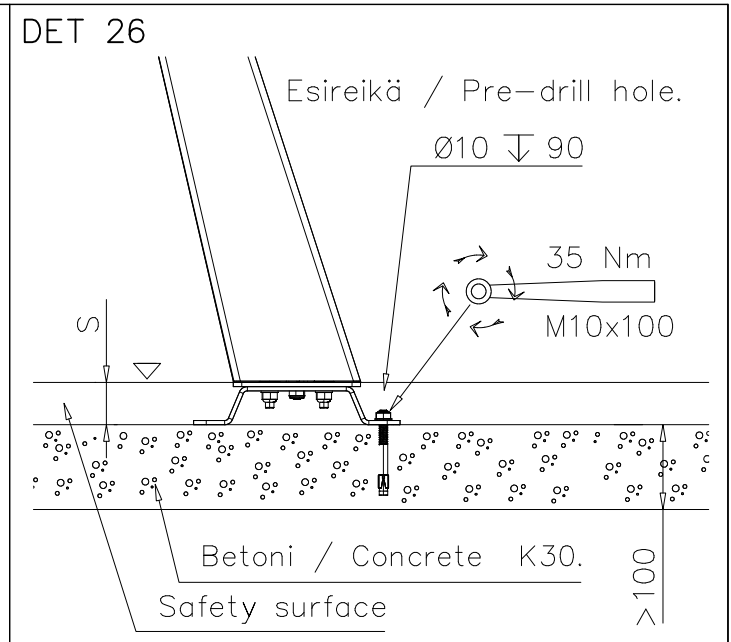
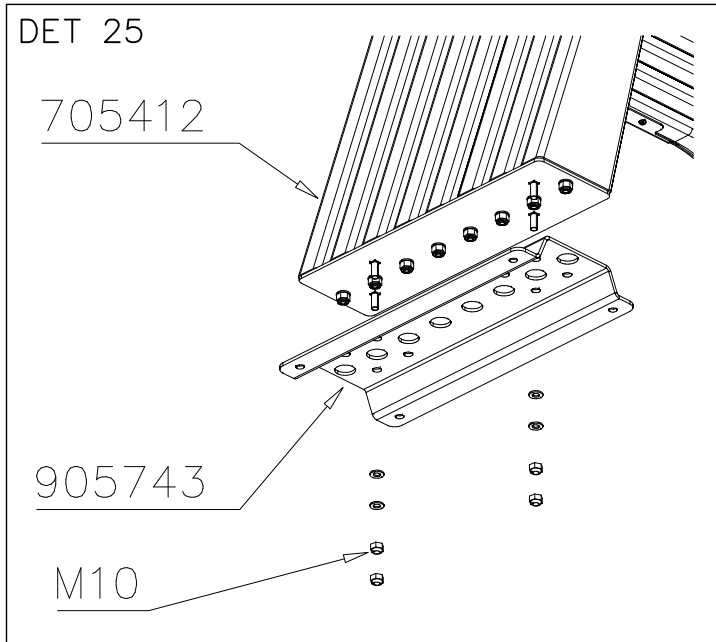
DET 16



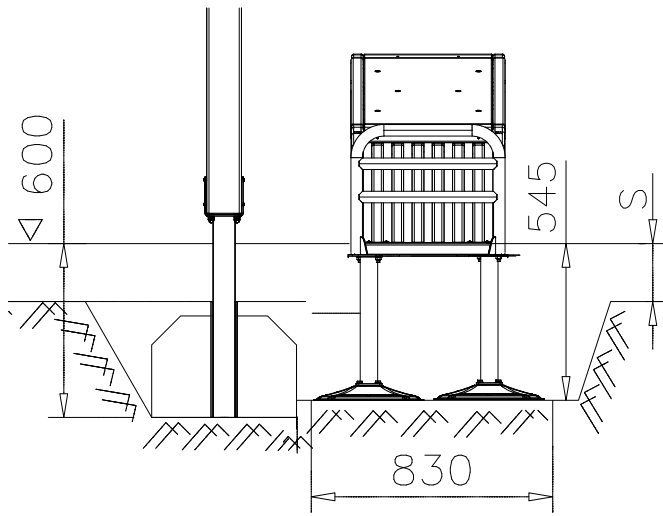
DET 17

DET 18

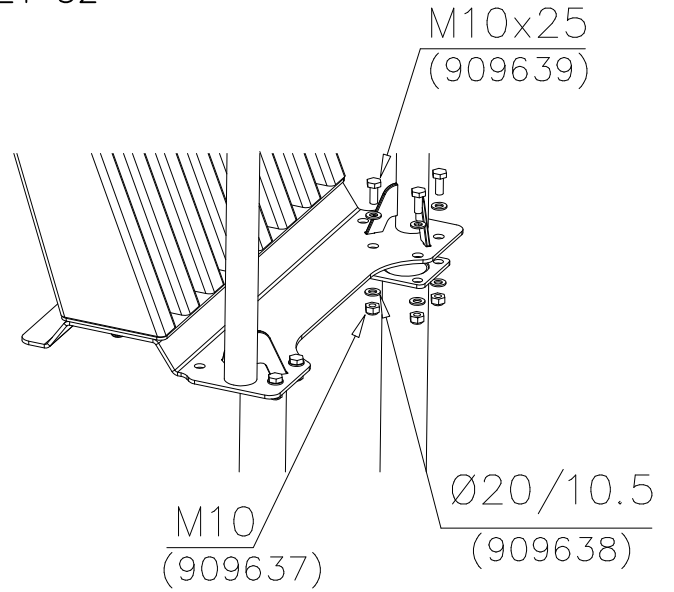




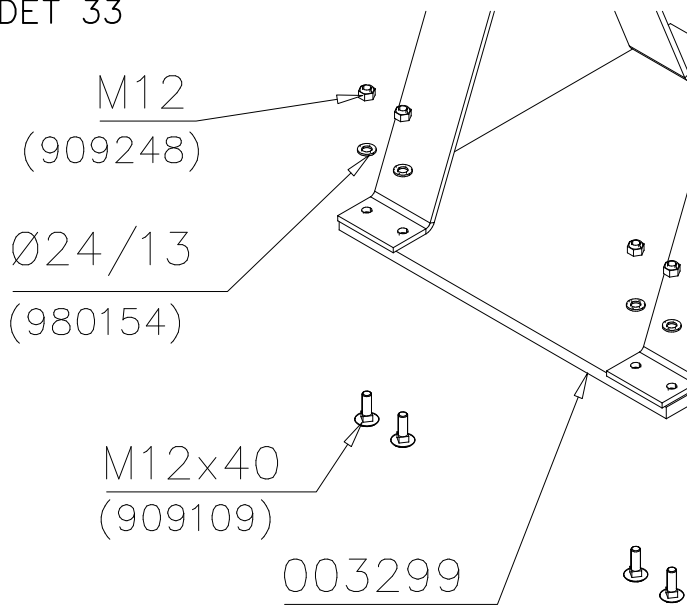
DET 31



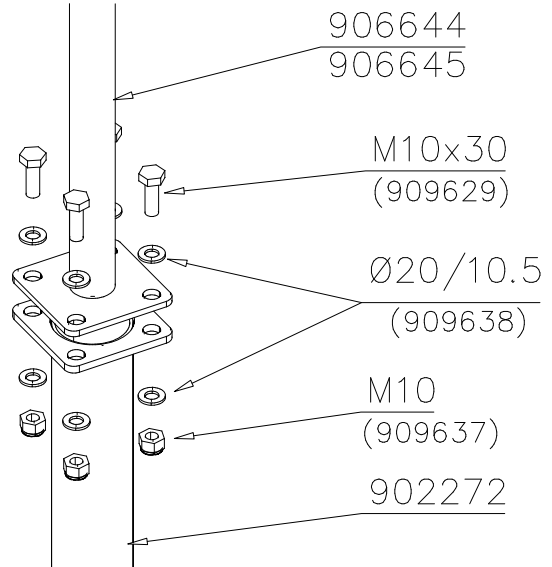
DET 32



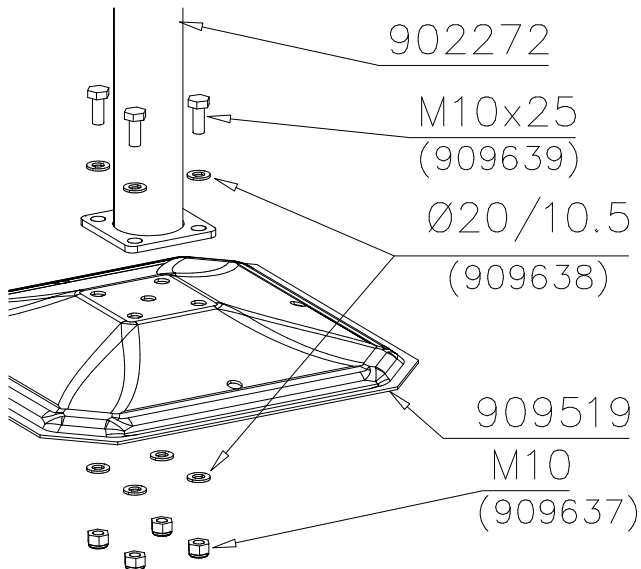
DET 33



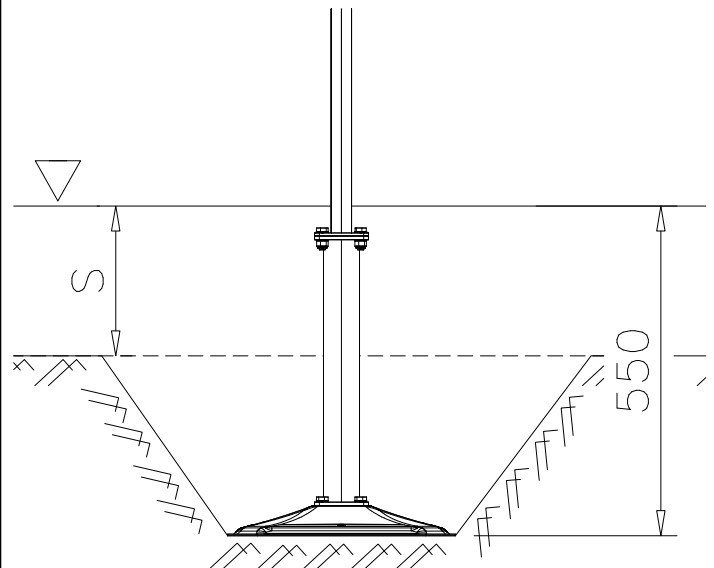
DET 34



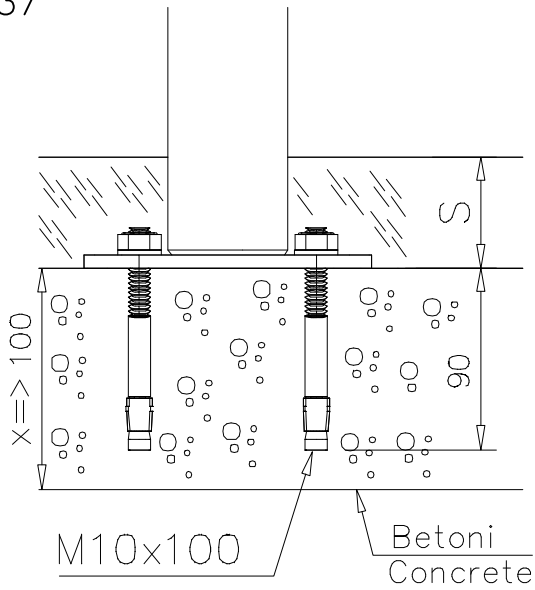
DET 35



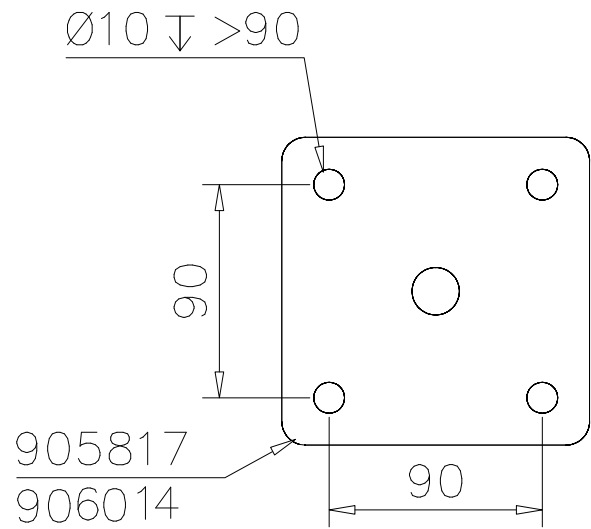
DET 36



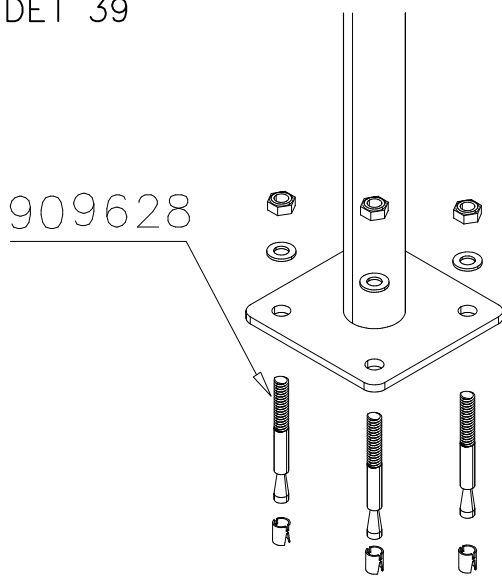
DET 37



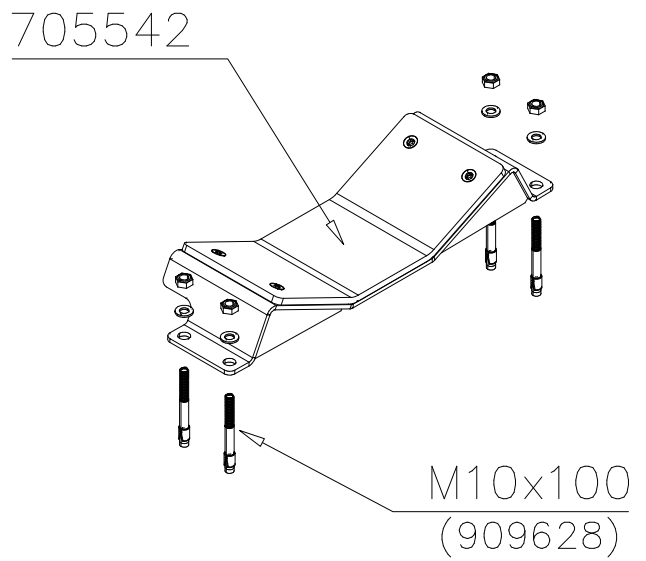
DET 38



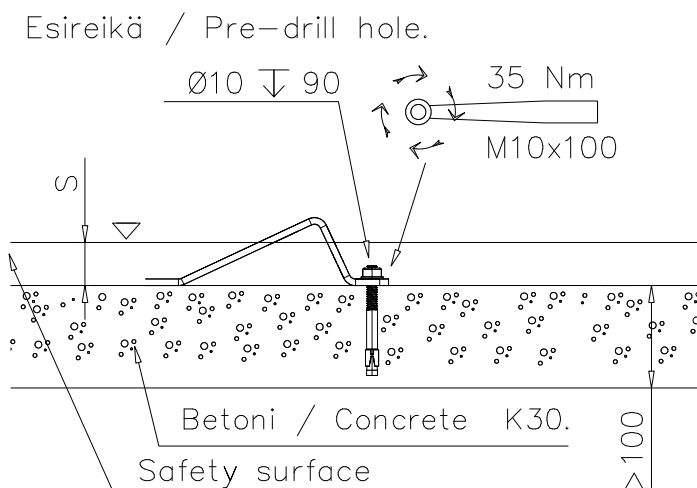
DET 39



DET 40



DET 41



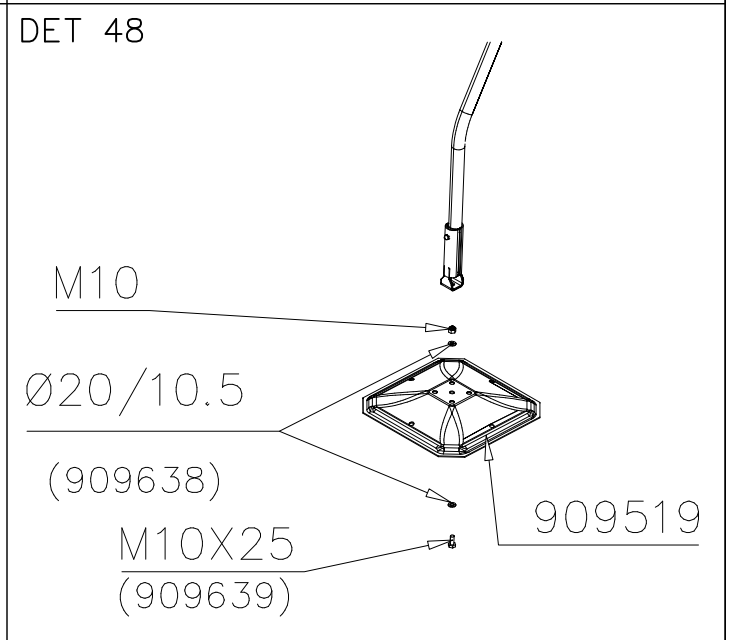
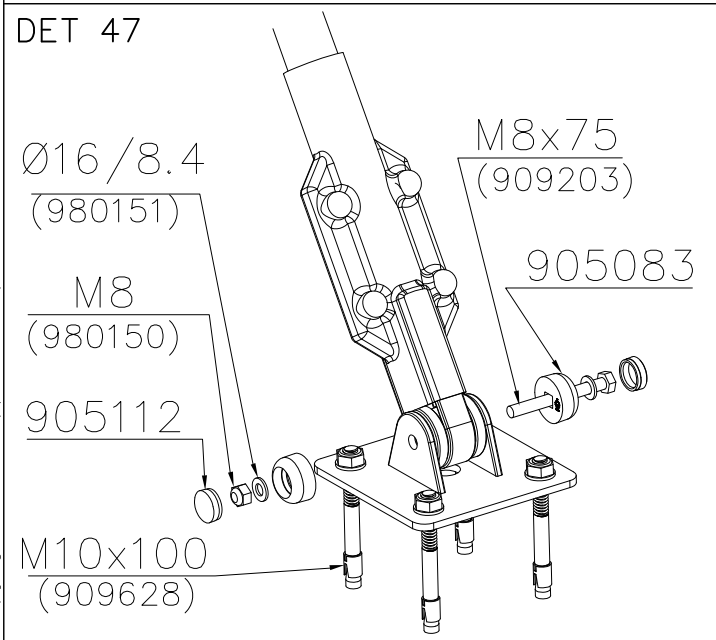
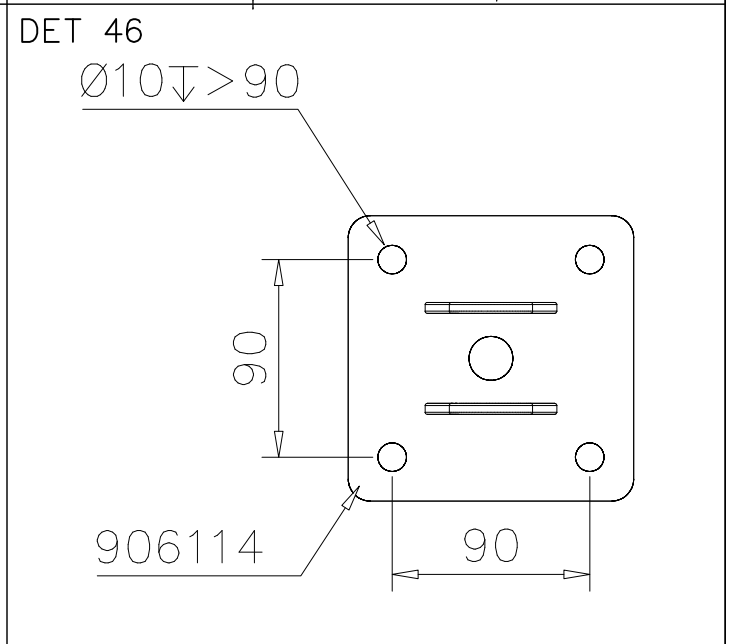
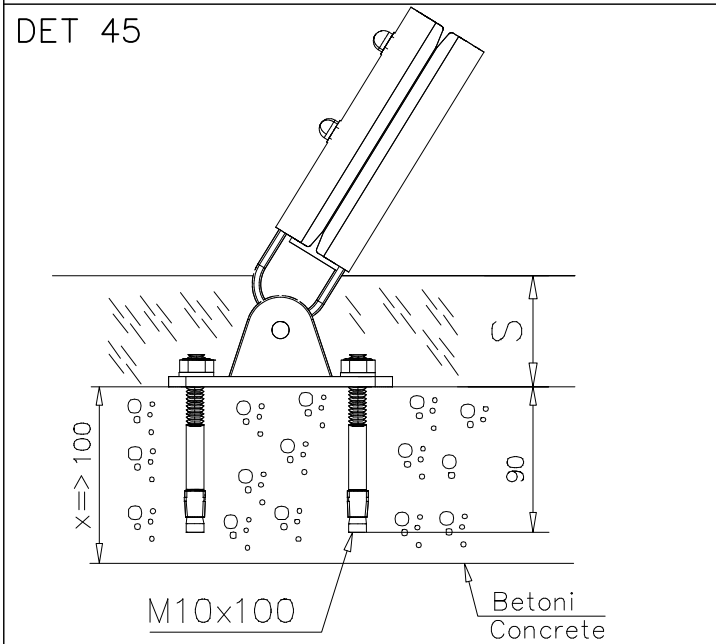
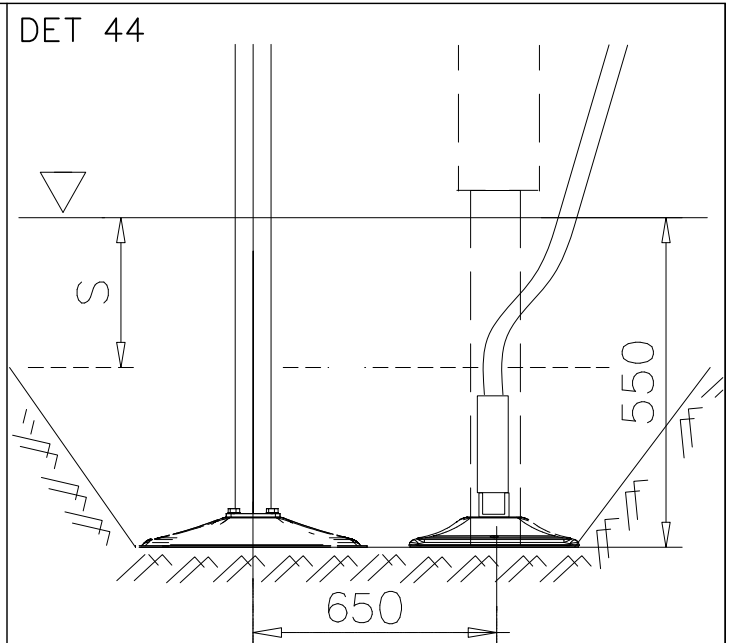
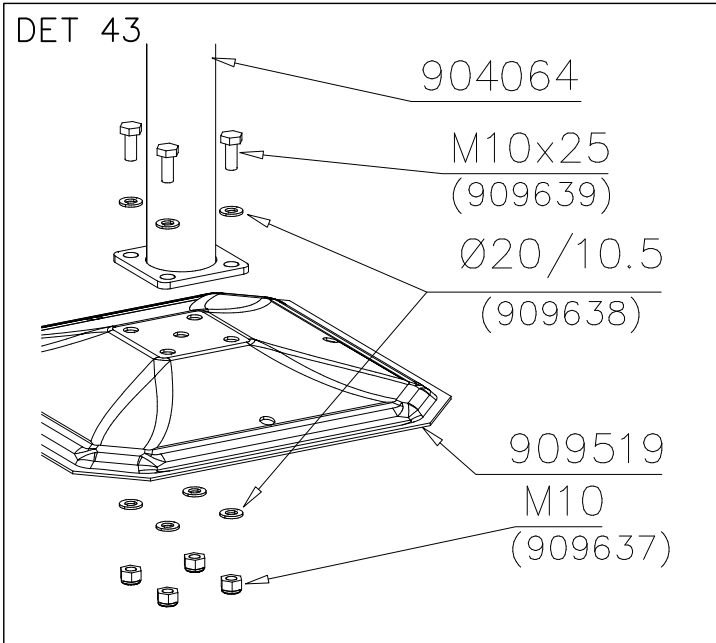
DET 42

LAPPSET SPORT

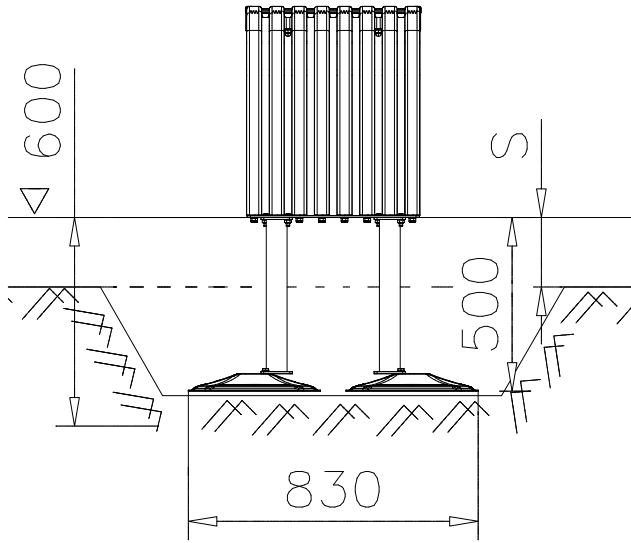
BASE

DATE: 15.8.2017

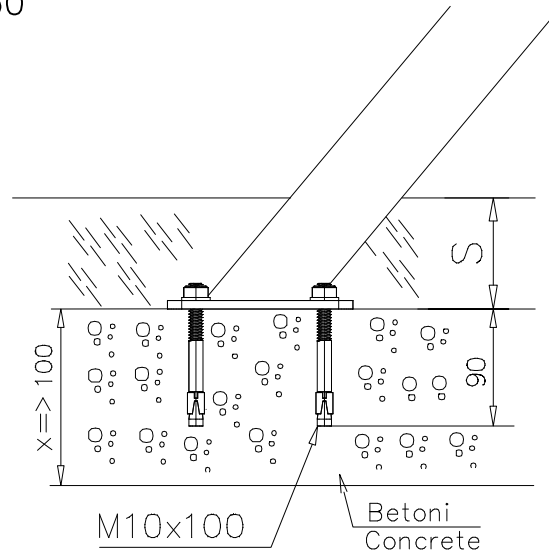
8(10)



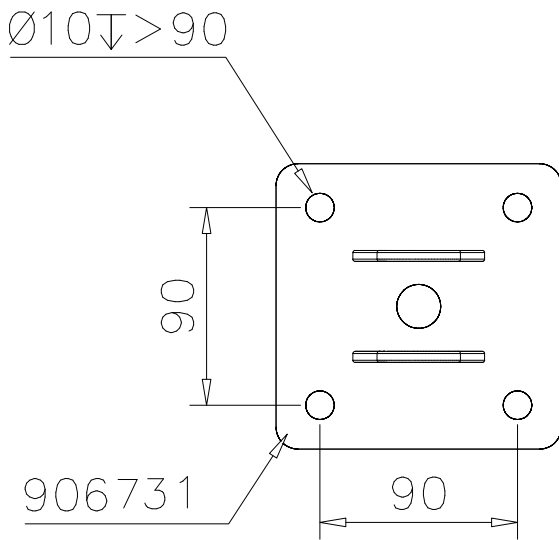
DET 49



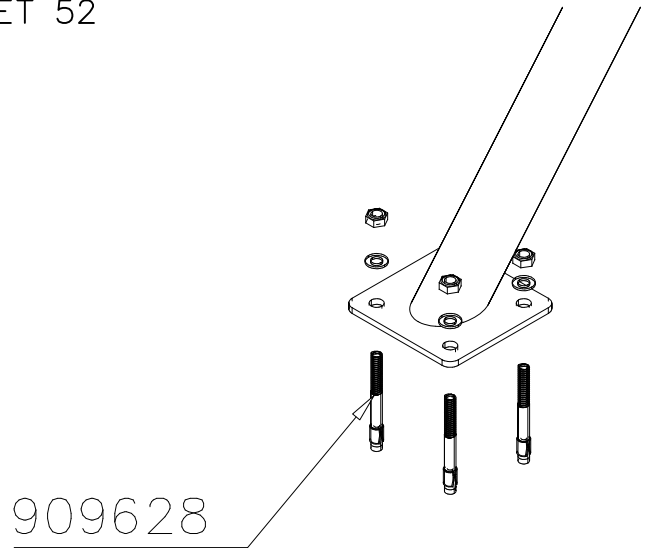
DET 50



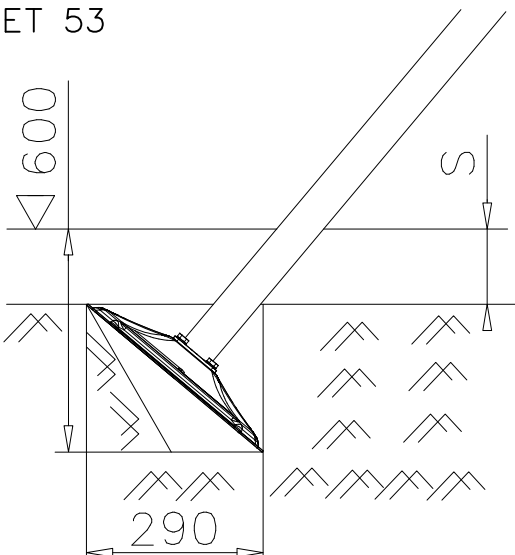
DET 51



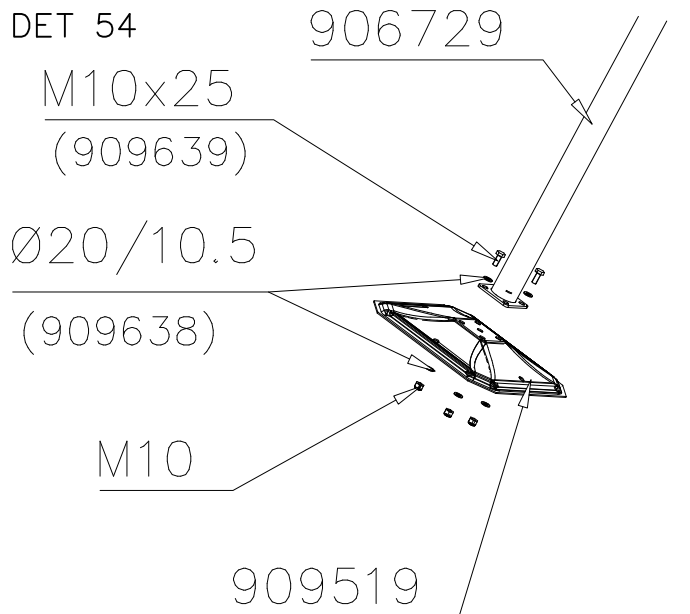
DET 52



DET 53



DET 54



LAPPSET SPORT

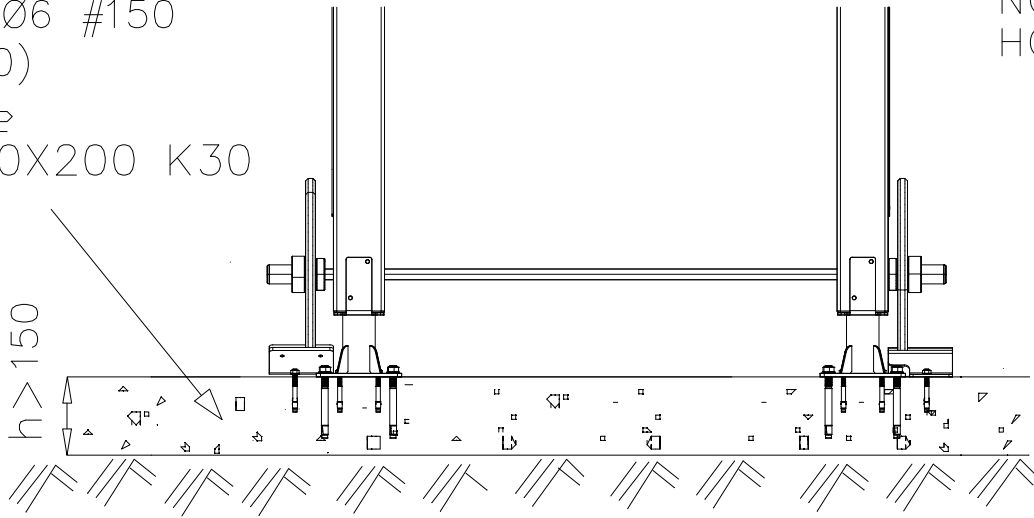
BASE

DATE: 29.4.2015

10(10)

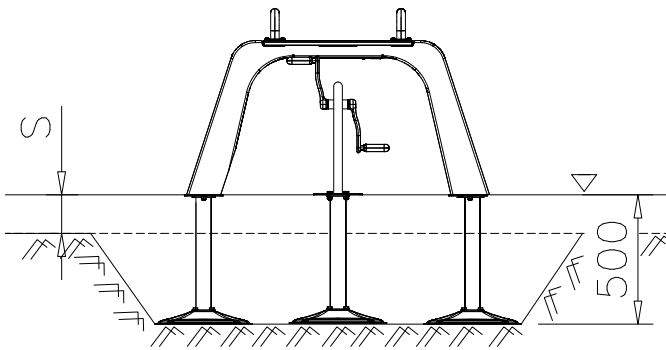
DET 55

STEELNET Ø6 #150
(1400x2100)
Concrete
1500X2200X200 K30

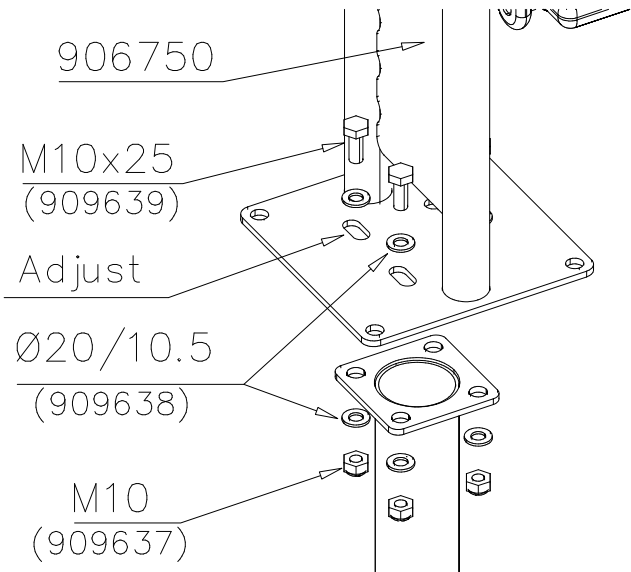


NOTE!
HOX!

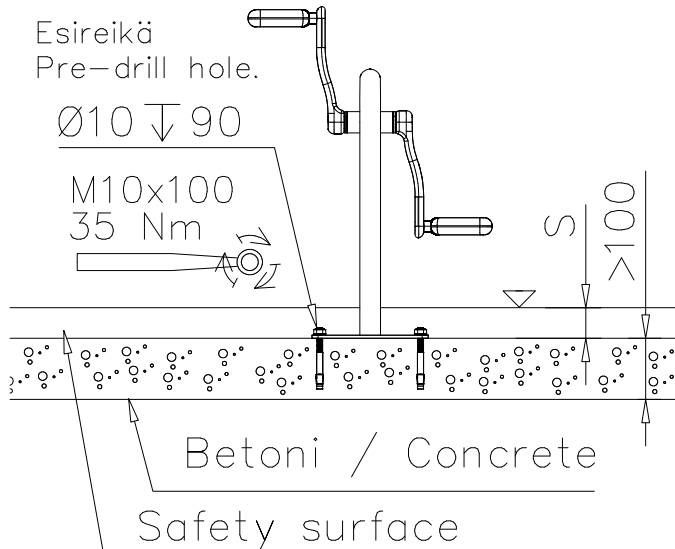
DET 56



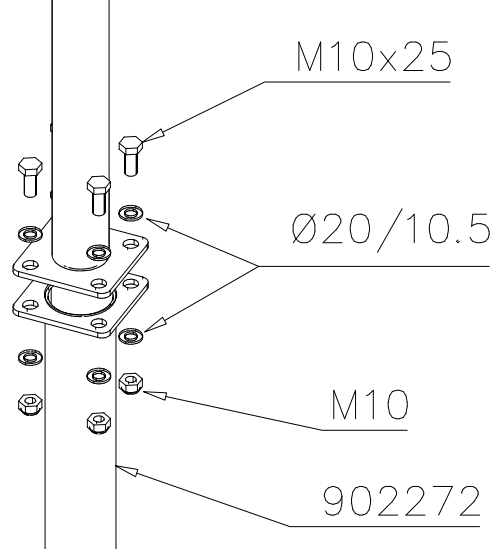
DET 57



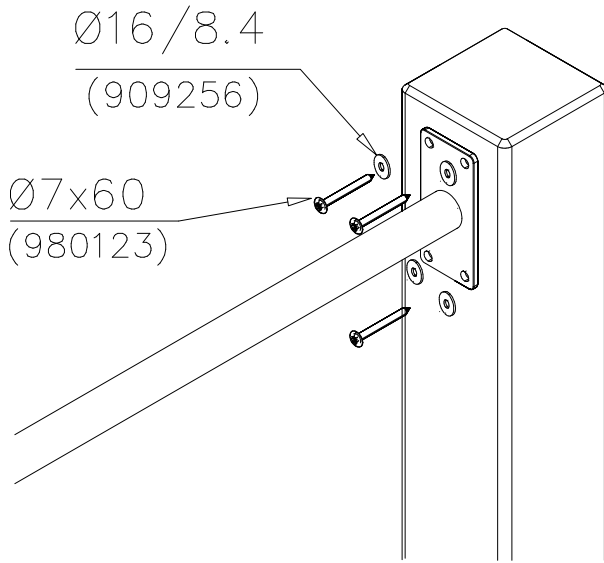
DET 58



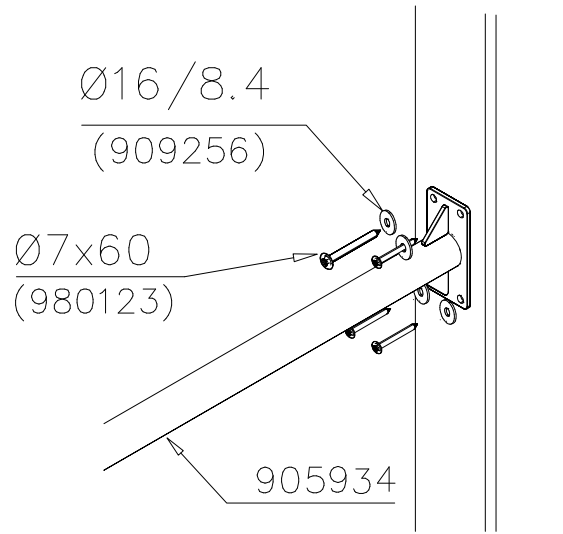
DET 59



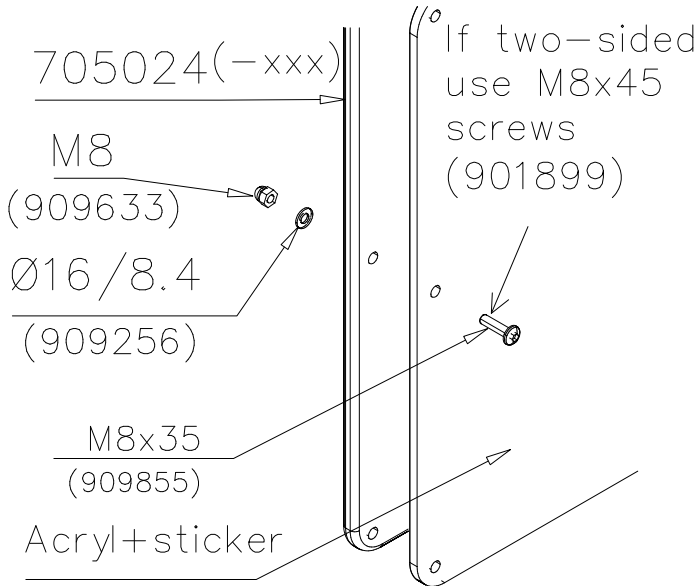
DET 1



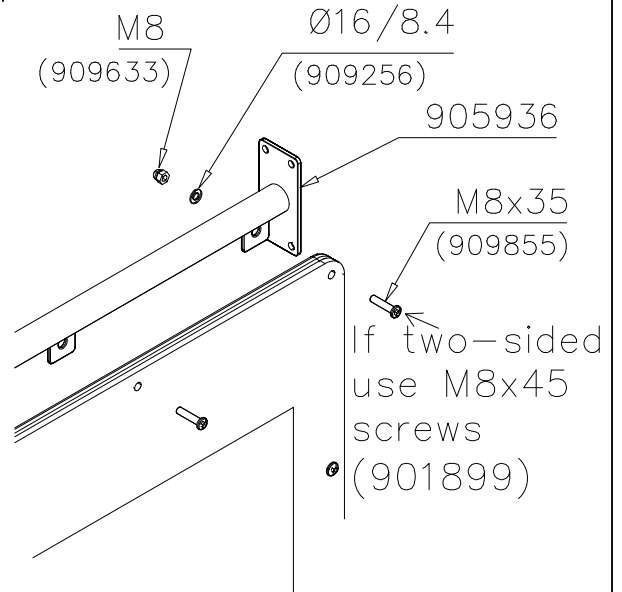
DET 2



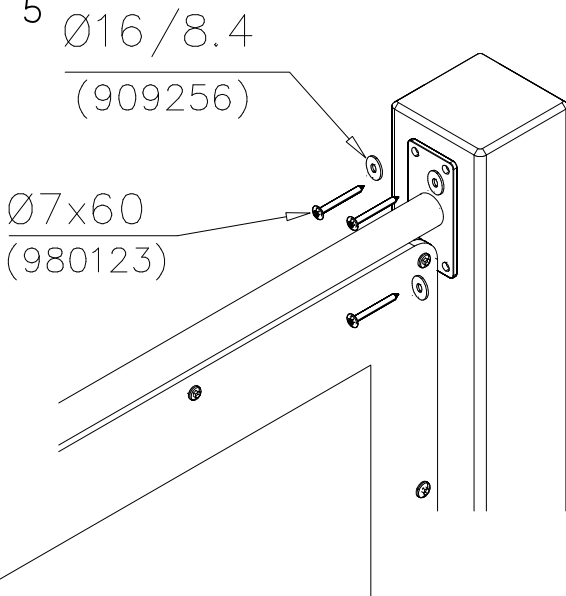
DET 3



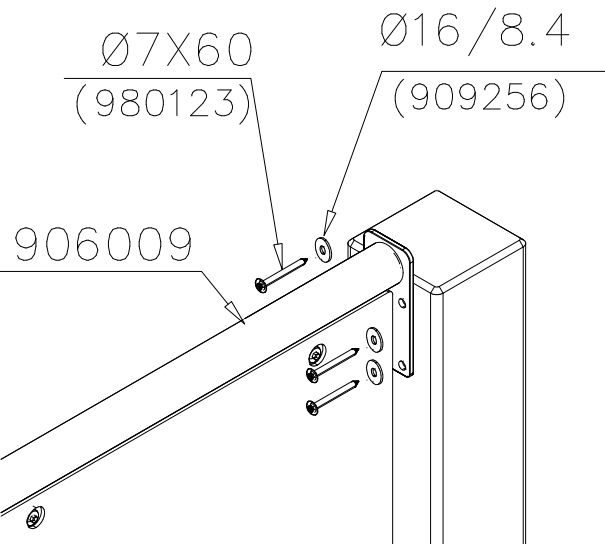
DET 4

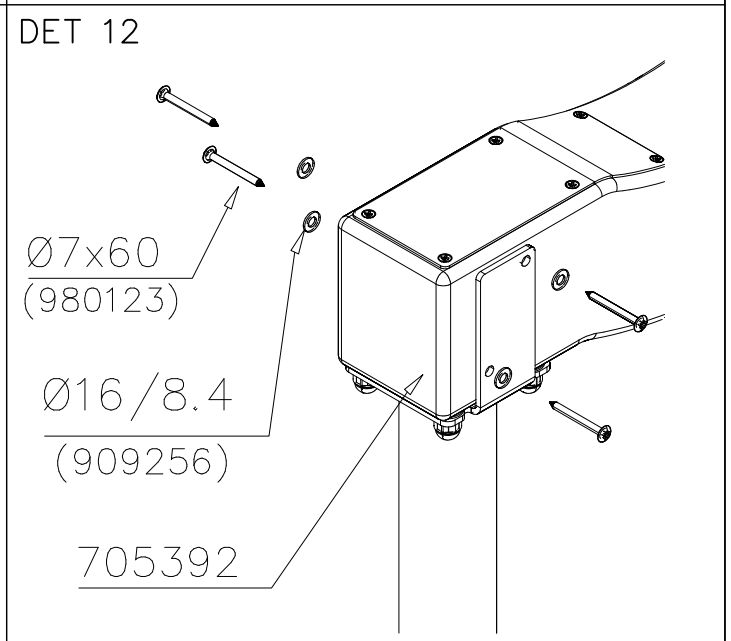
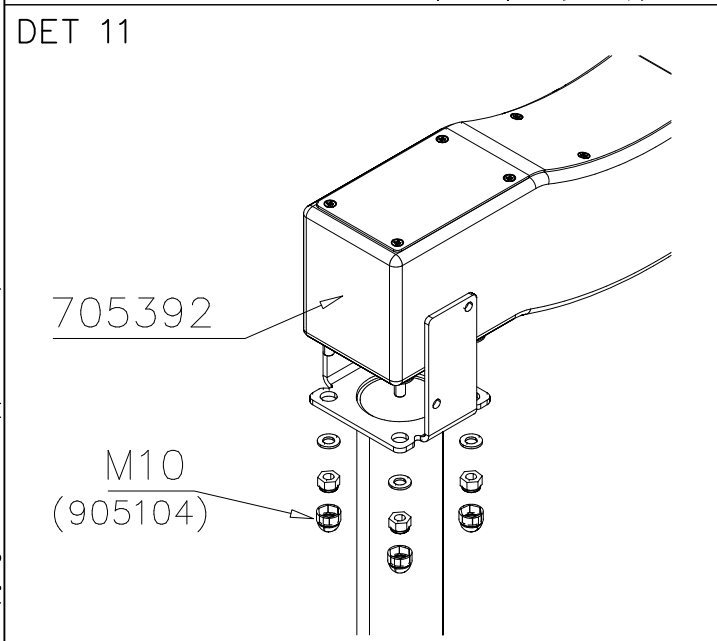
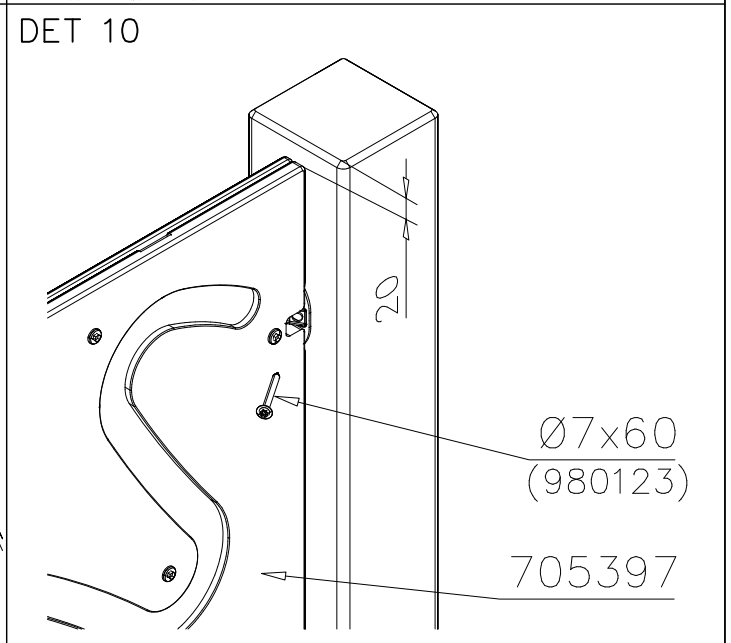
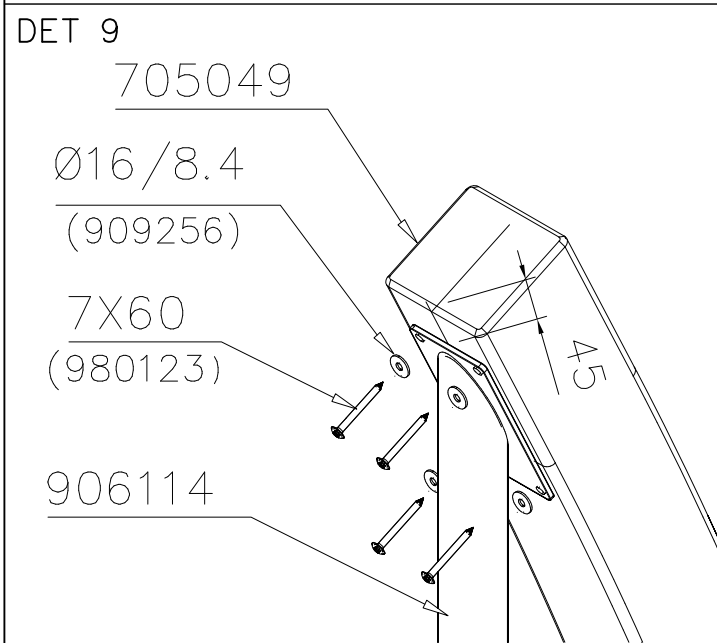
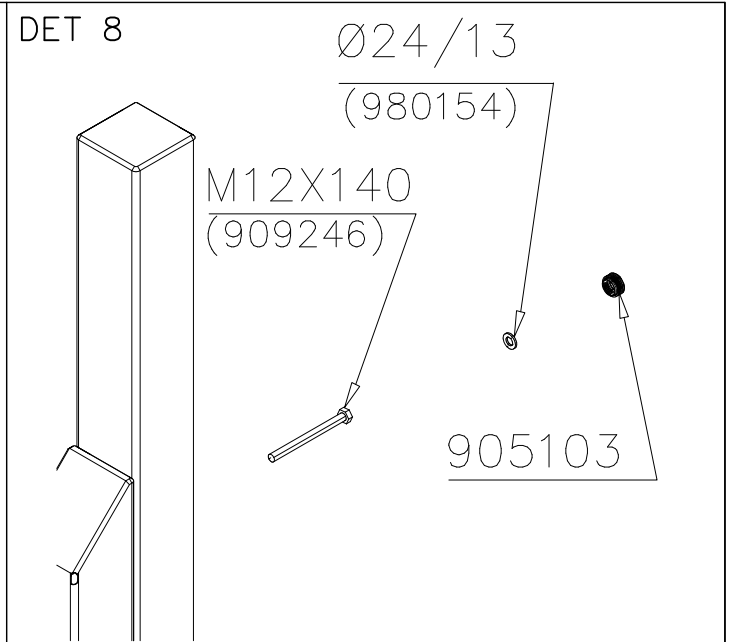
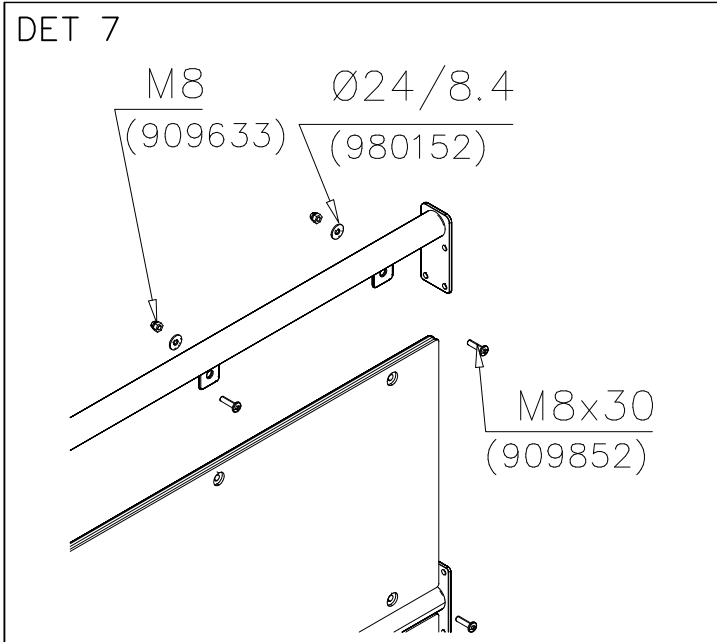


DET 5

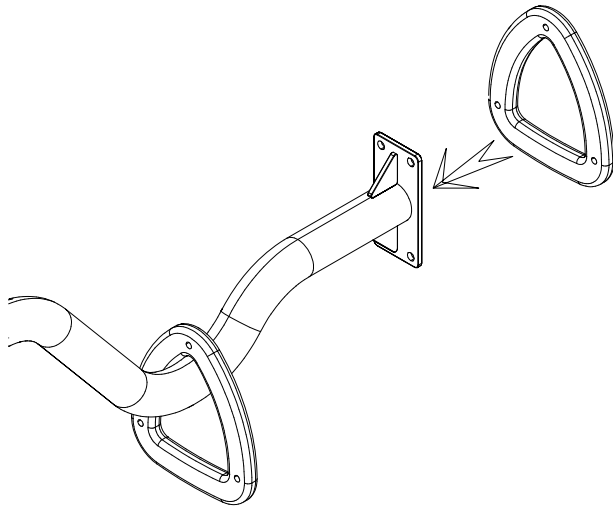


DET 6

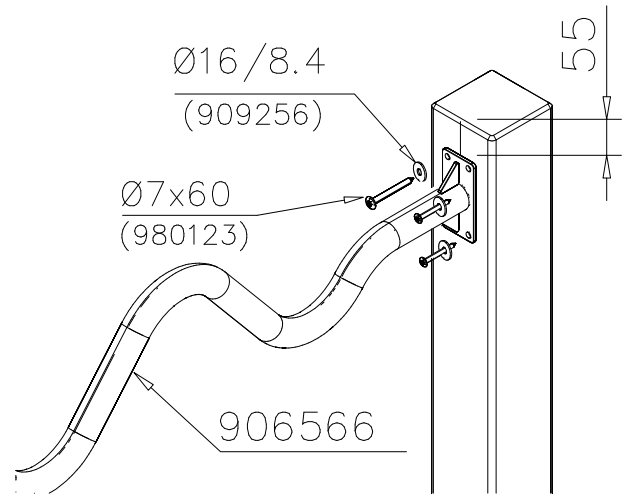




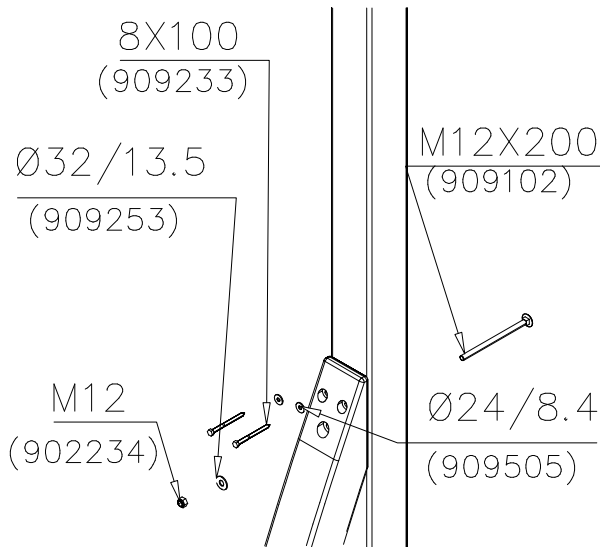
DET 13



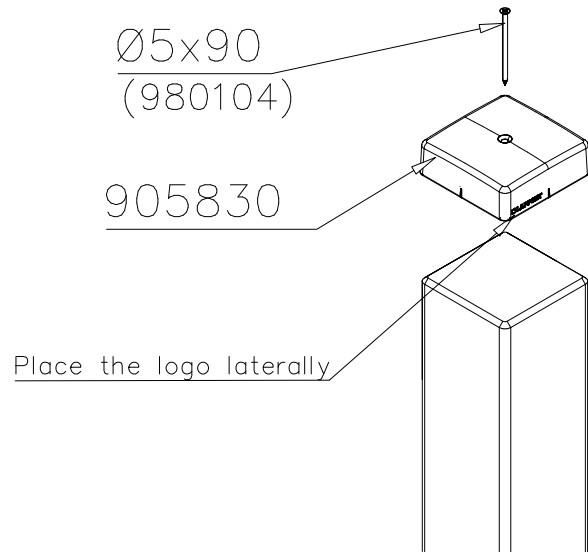
DET 14



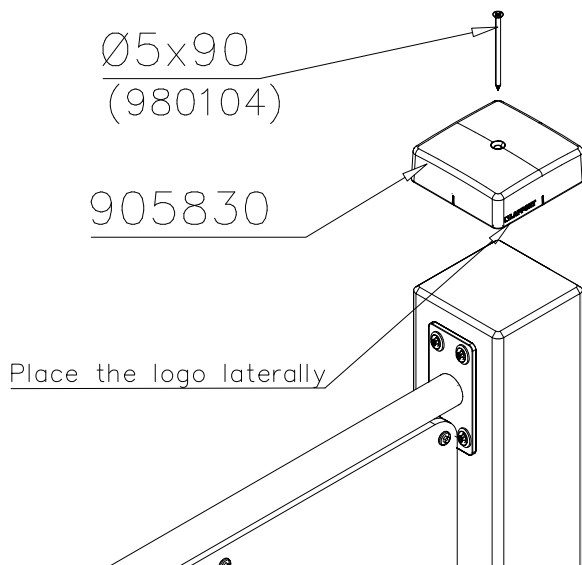
DET 15



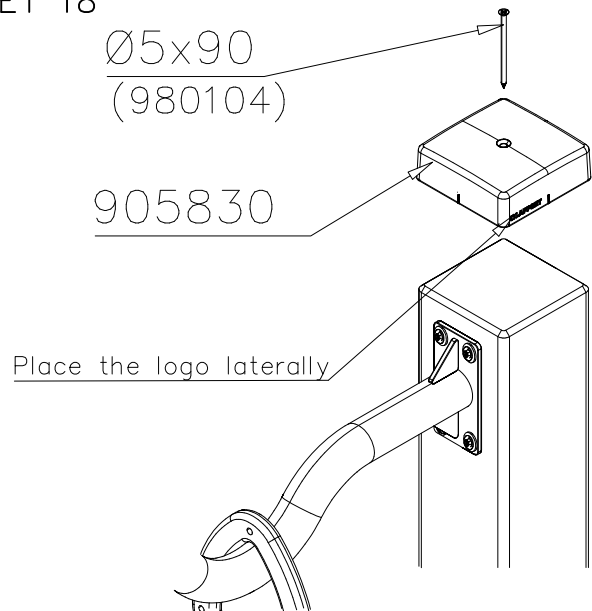
DET 16



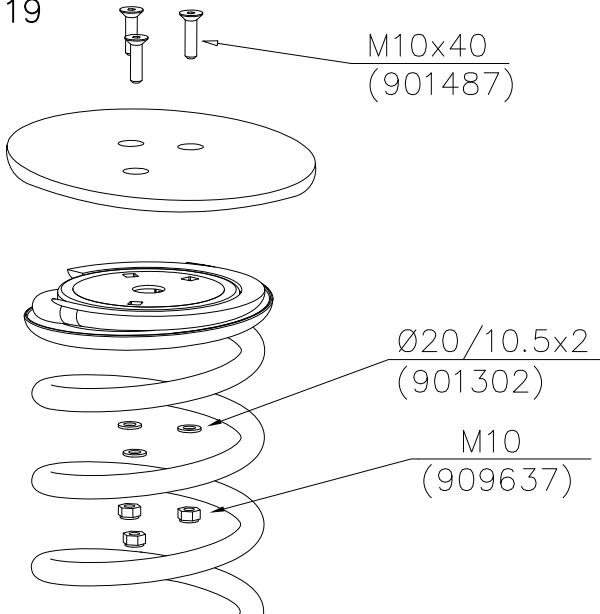
DET 17



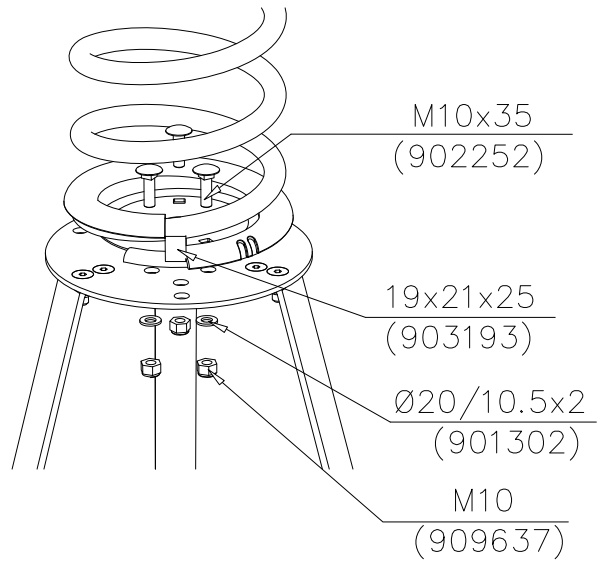
DET 18



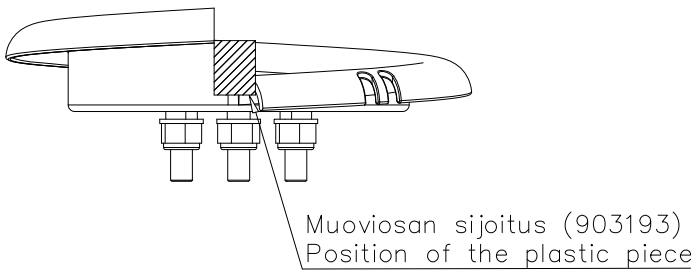
DET 19



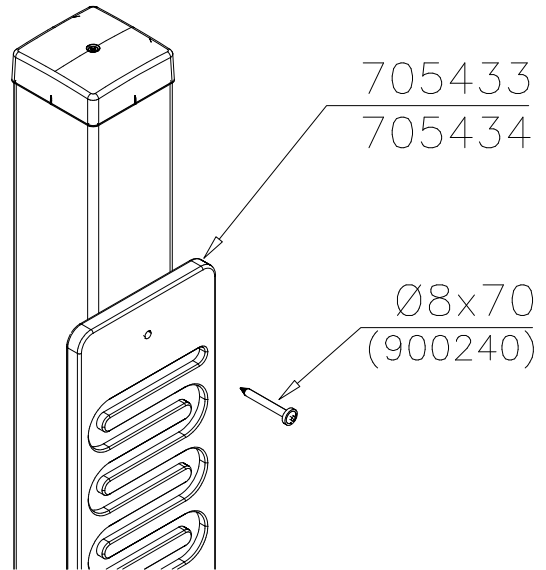
DET 20



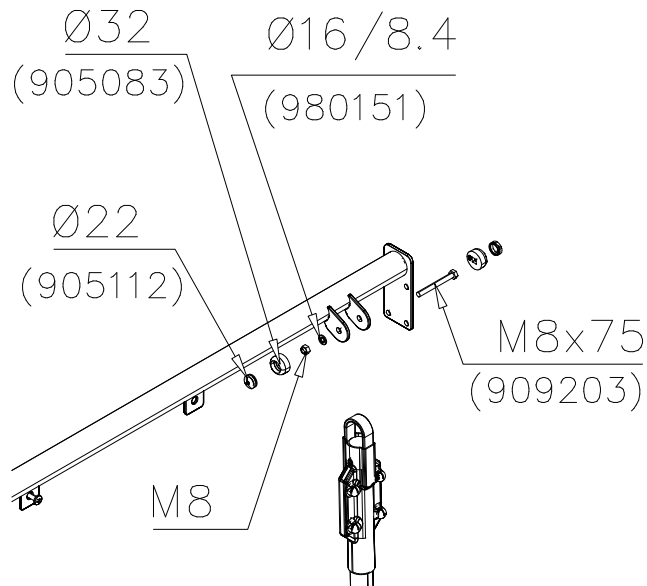
DET 21



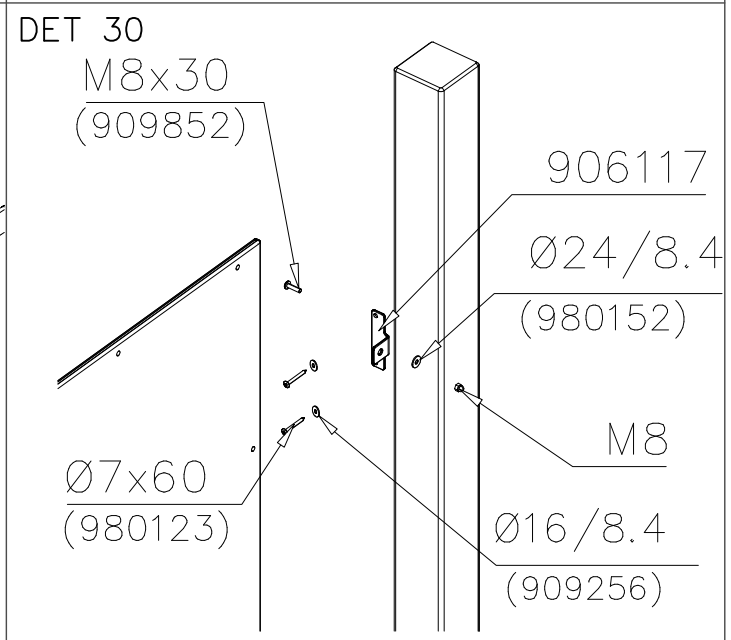
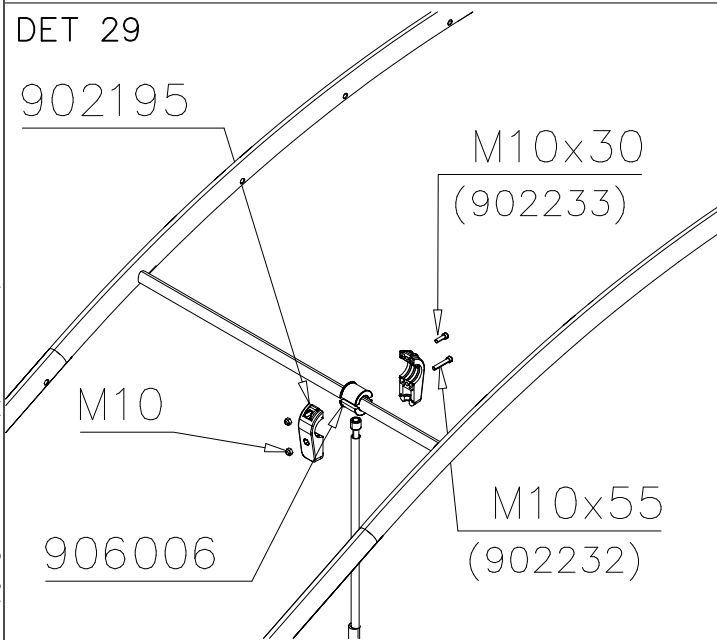
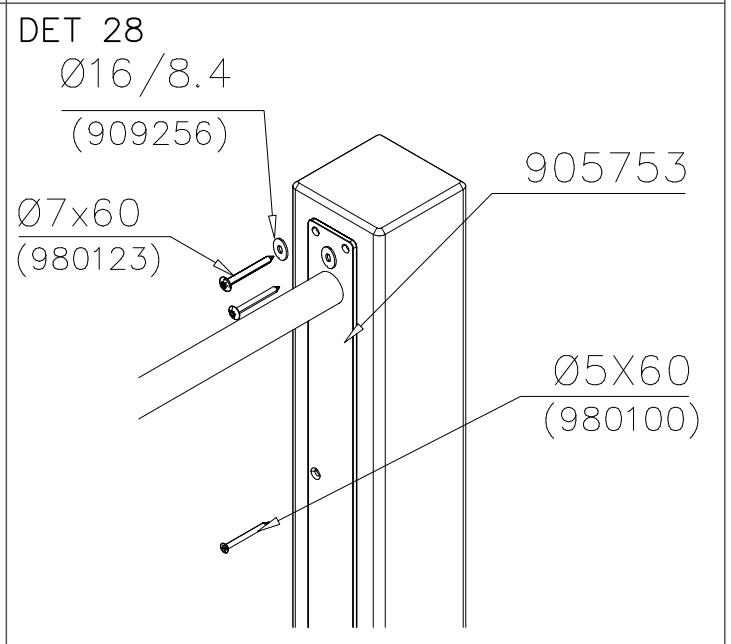
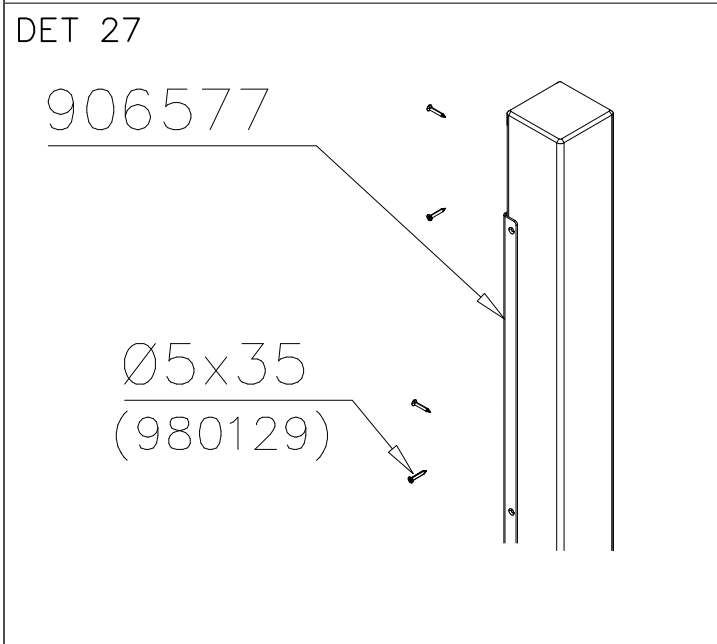
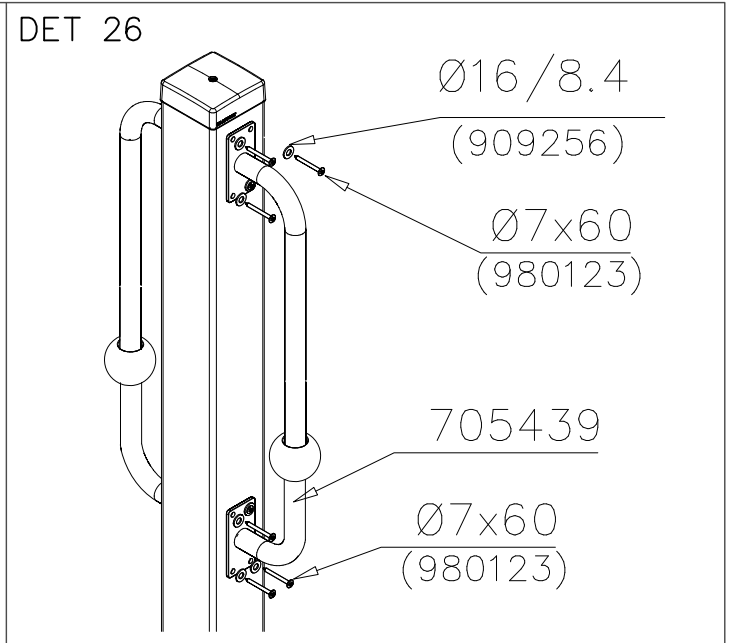
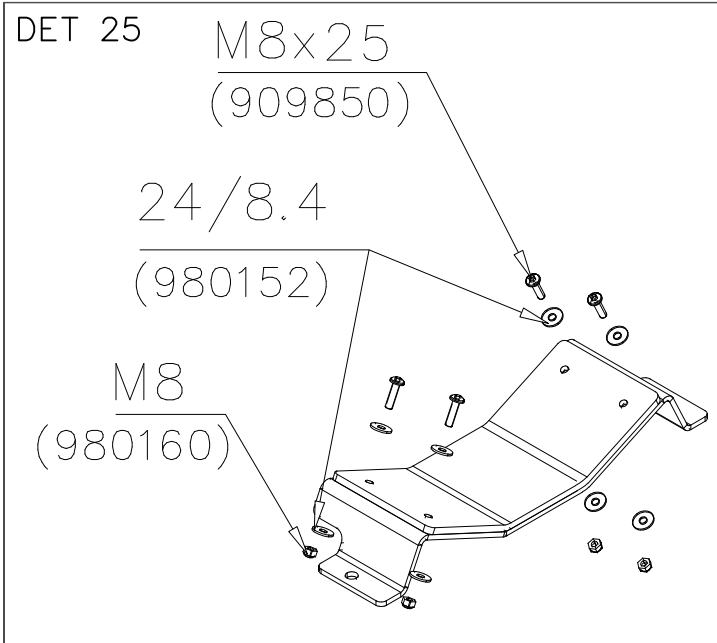
DET 22



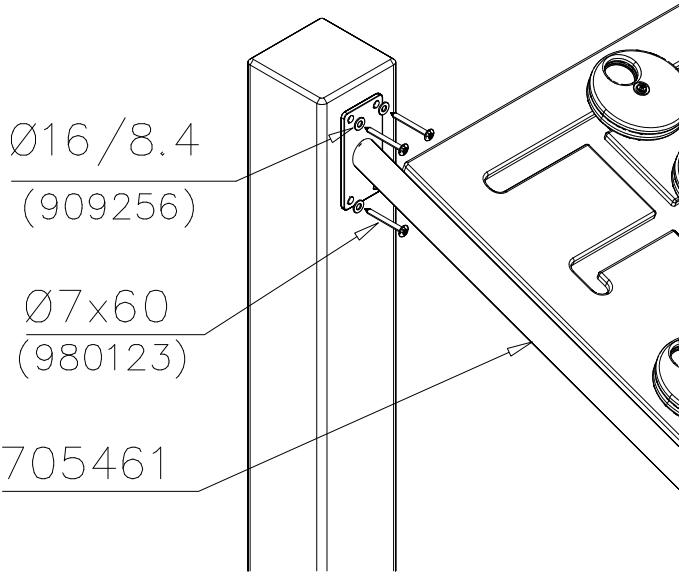
DET 23



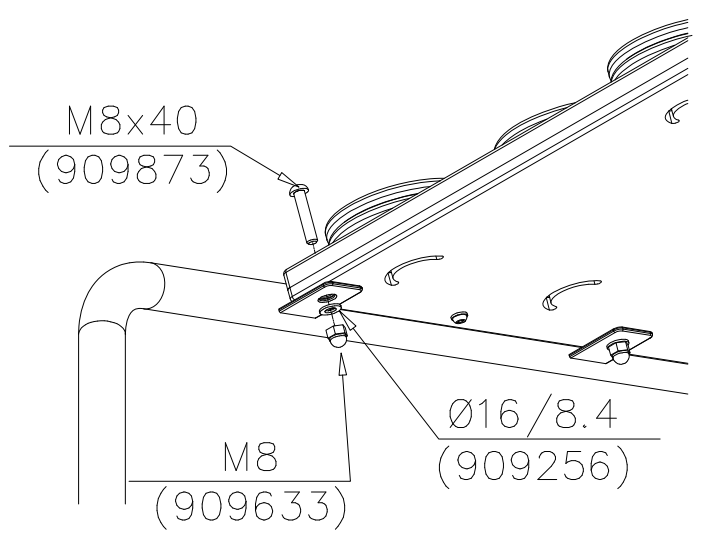
DET 24



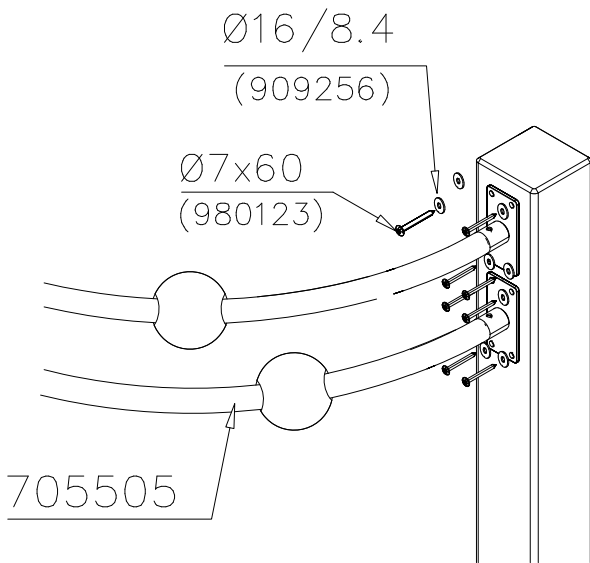
DET 31



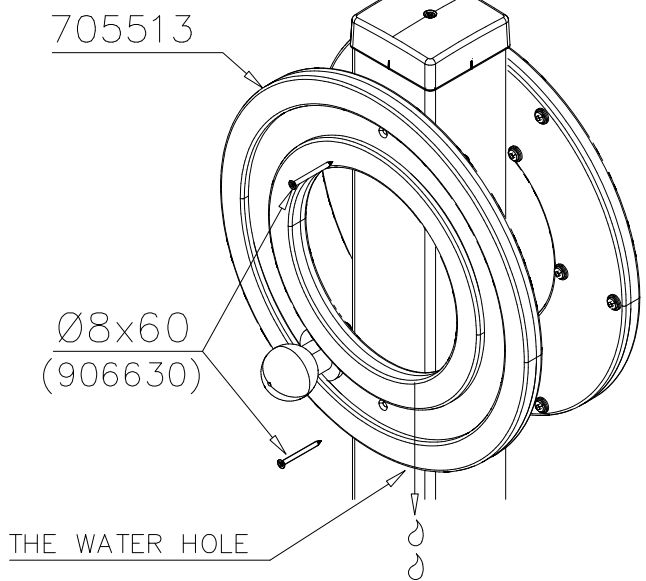
DET 32



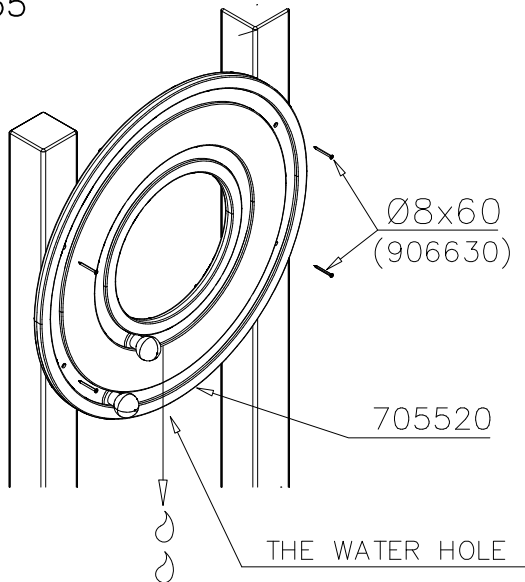
DET 33



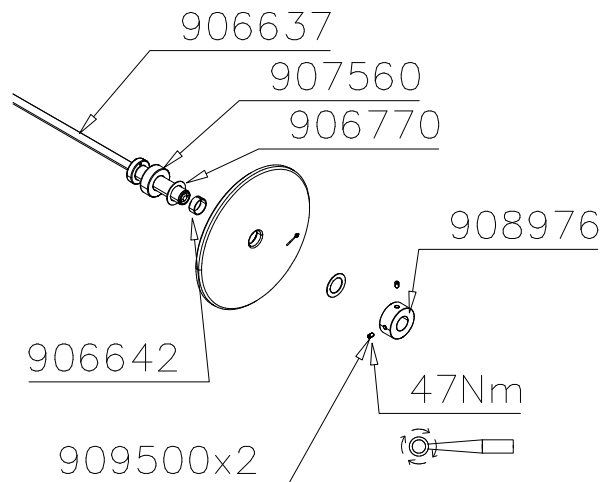
DET 34



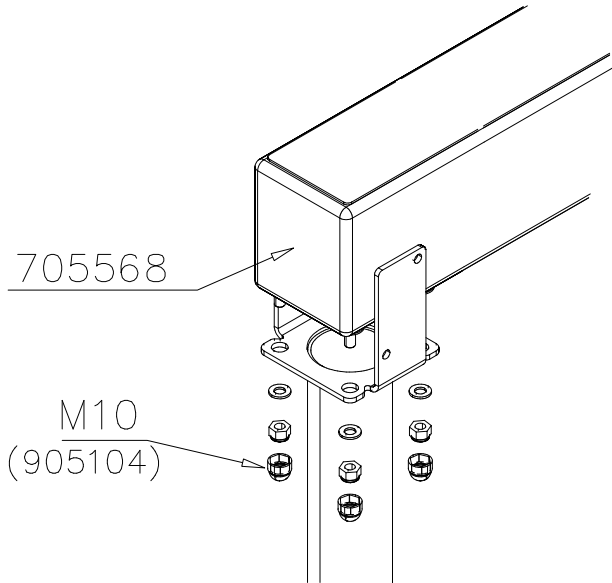
DET 35



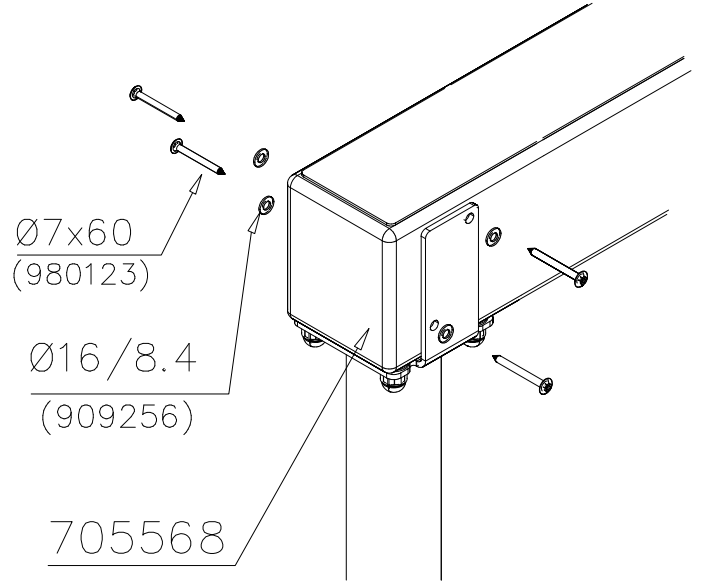
DET 36



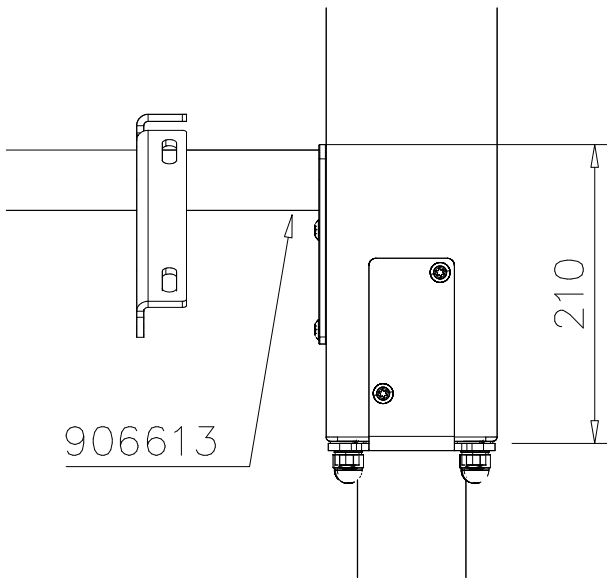
DET 37



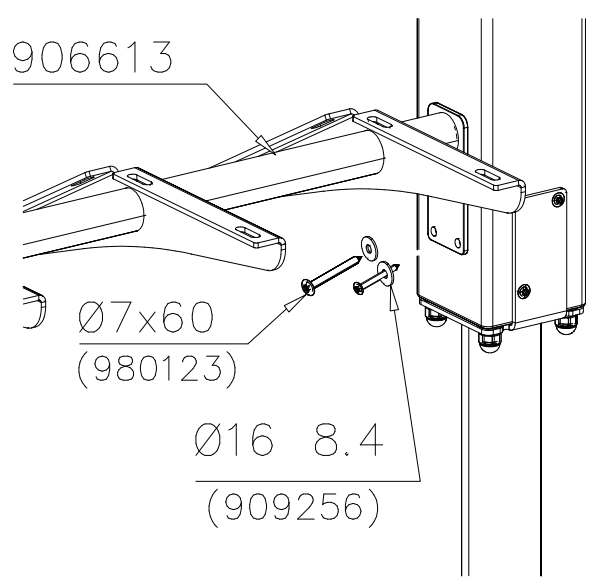
DET 38



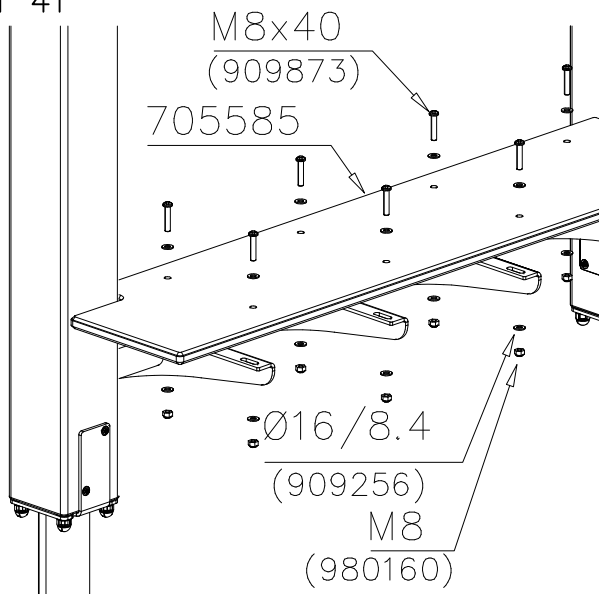
DET 39



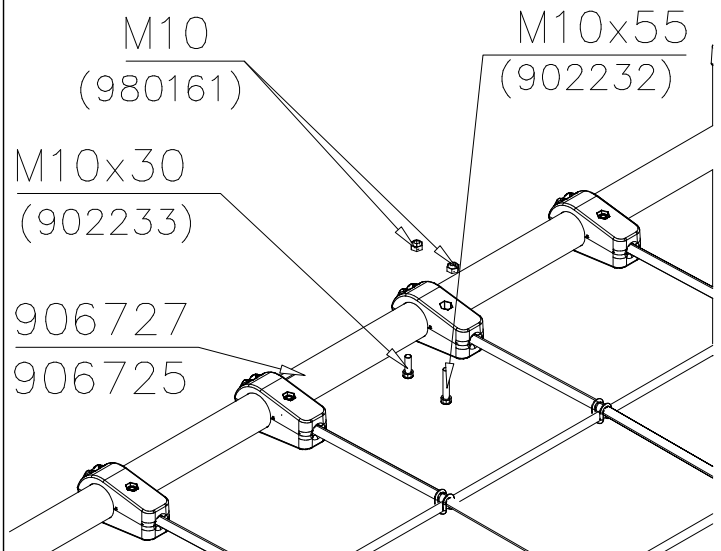
DET 40

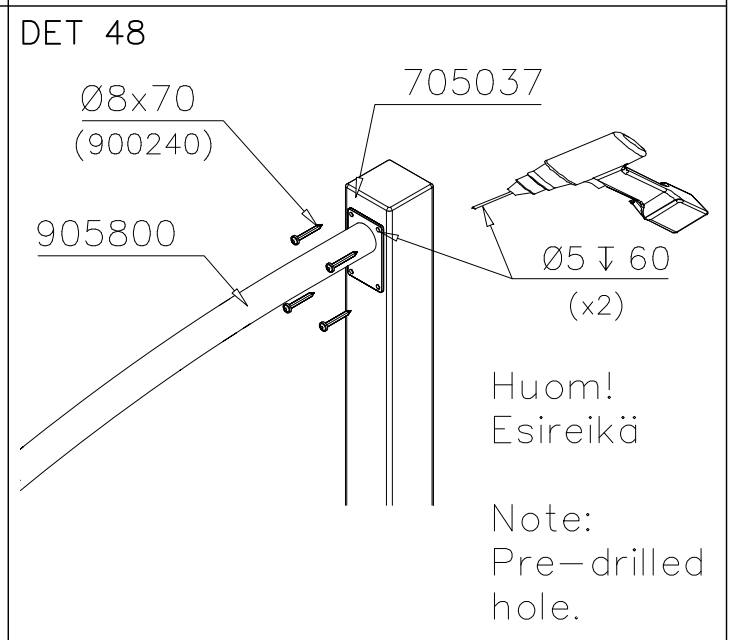
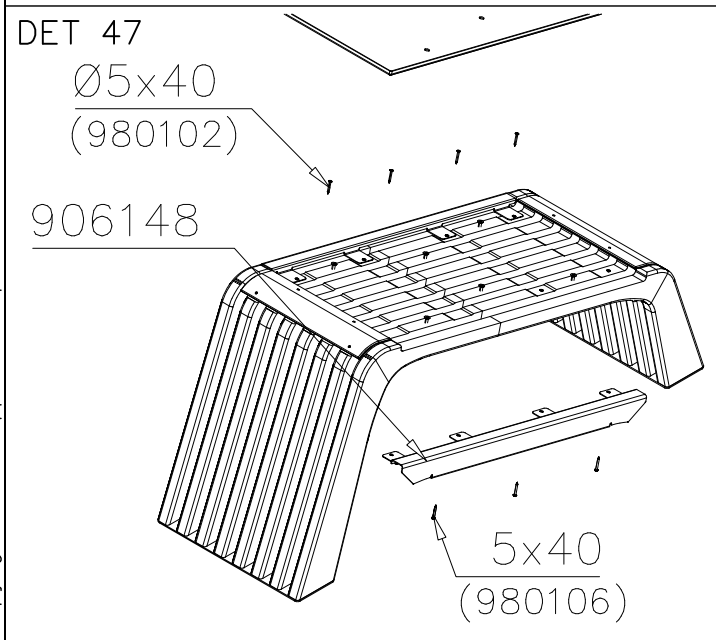
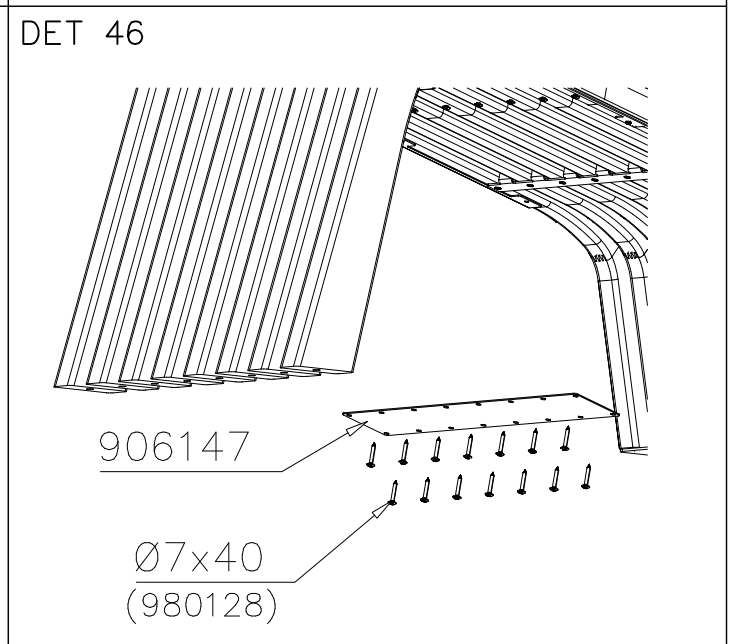
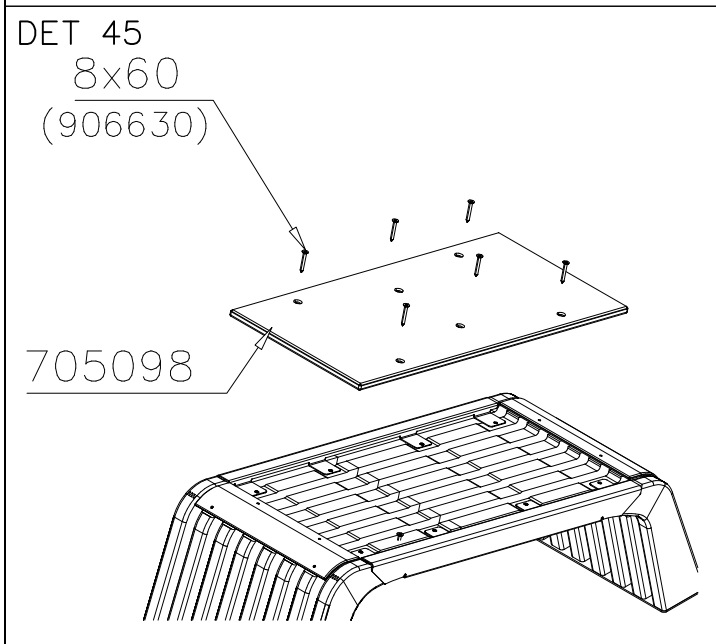
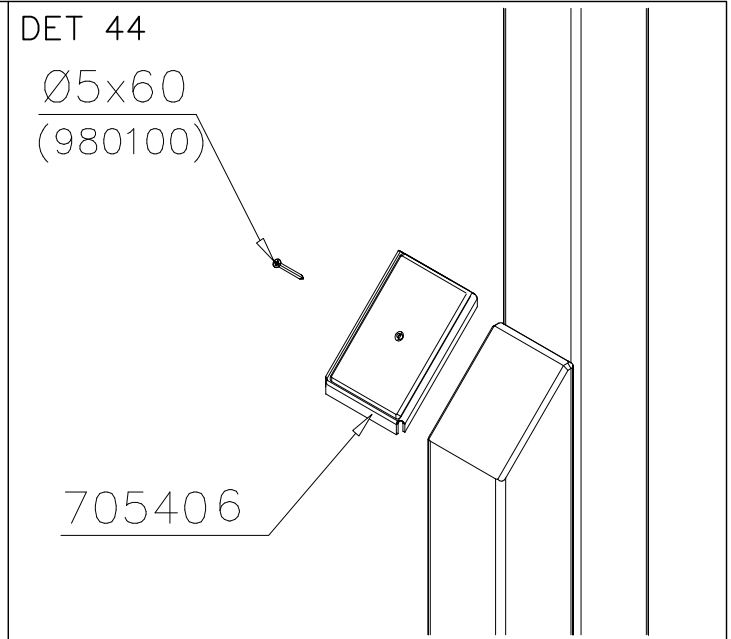
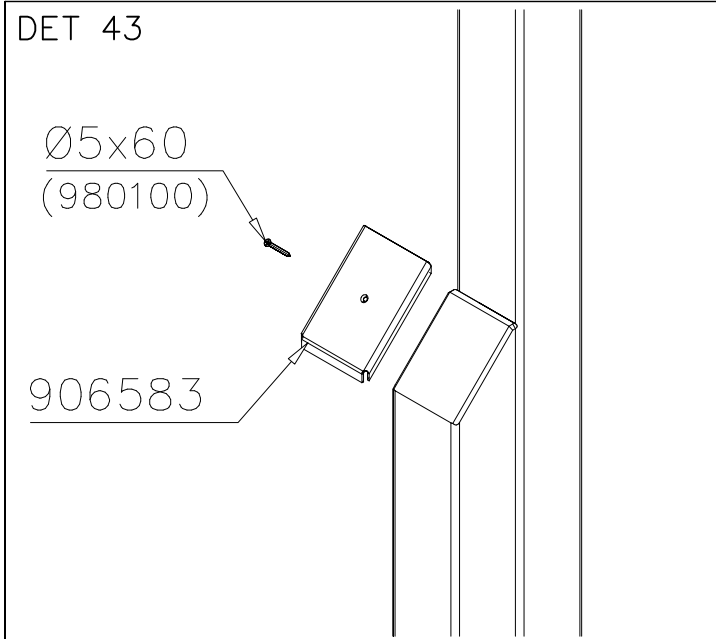


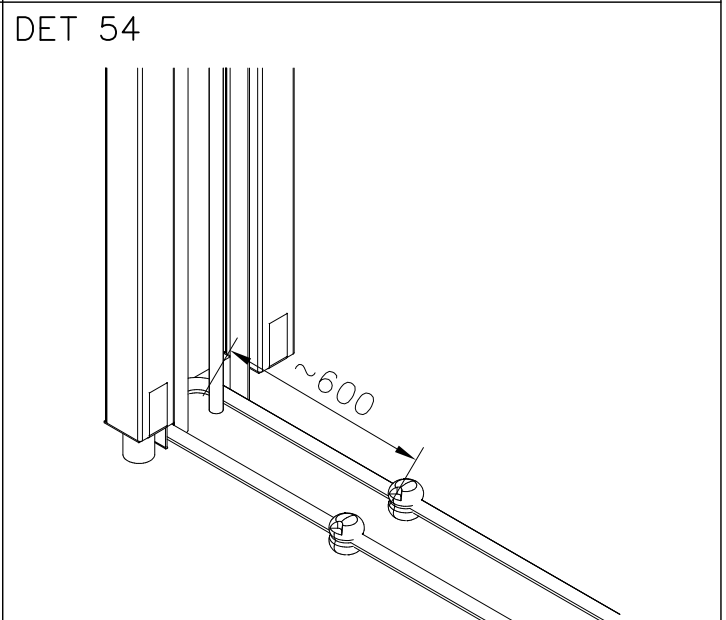
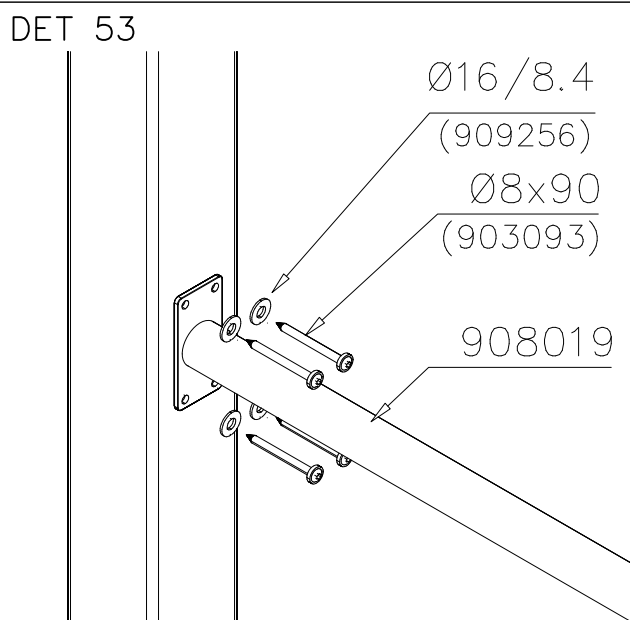
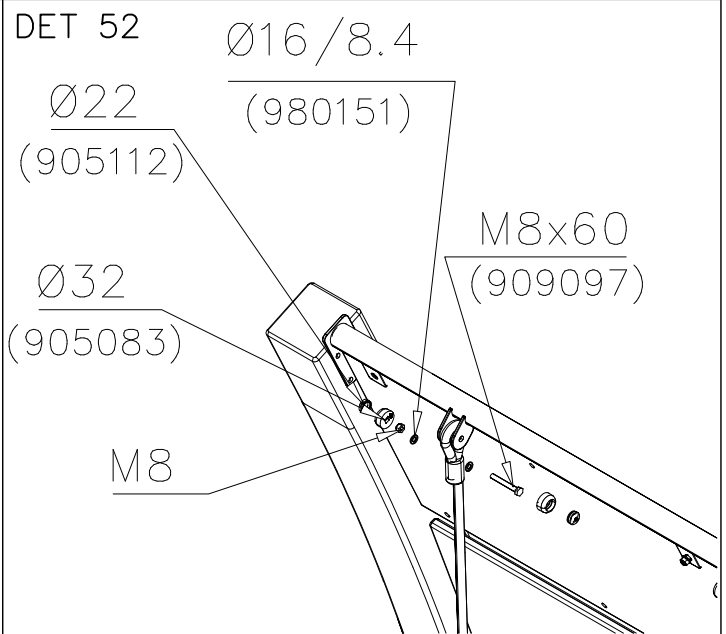
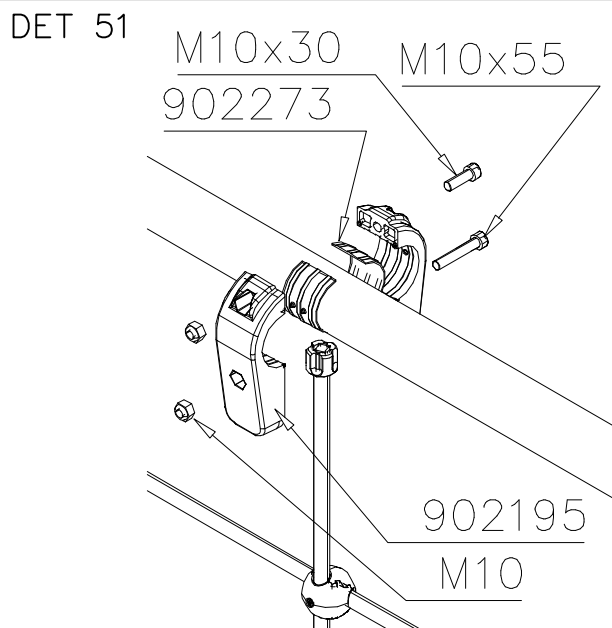
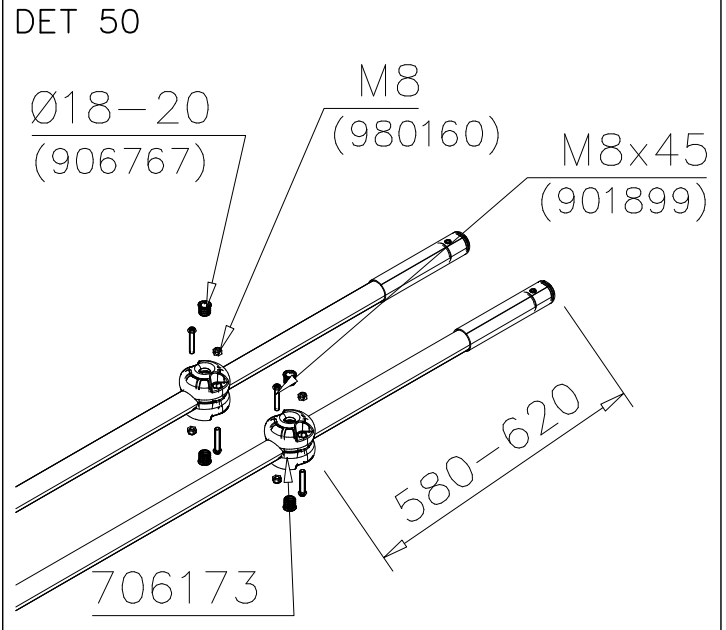
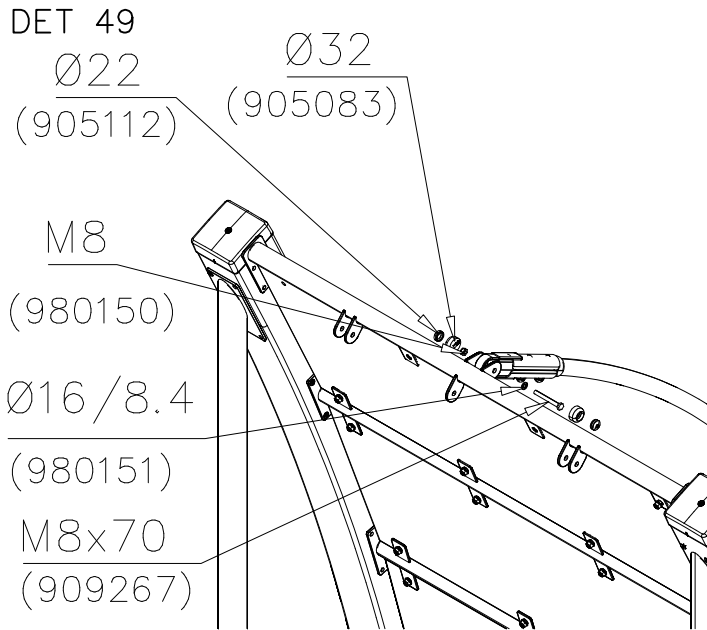
DET 41



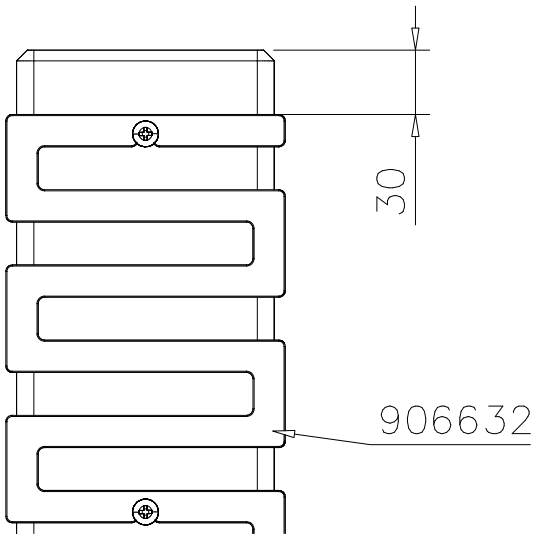
DET 42



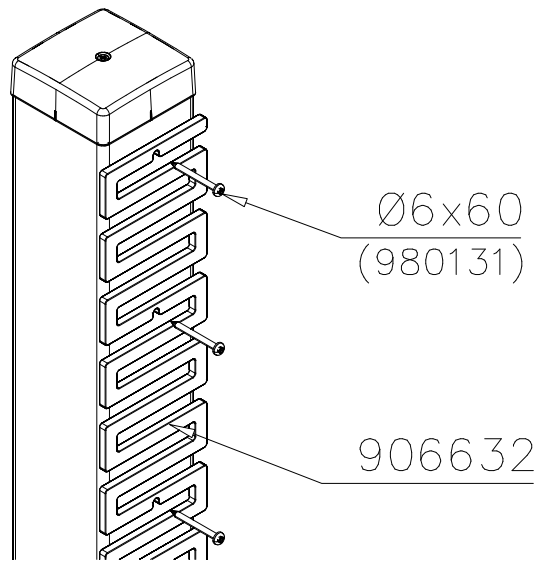




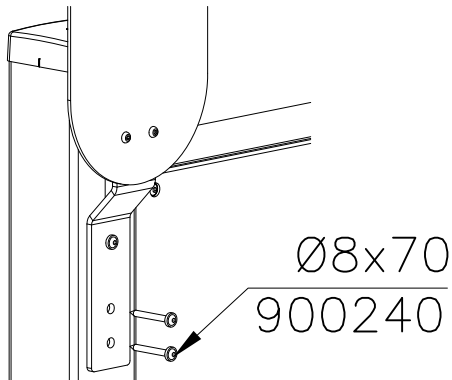
DET 55



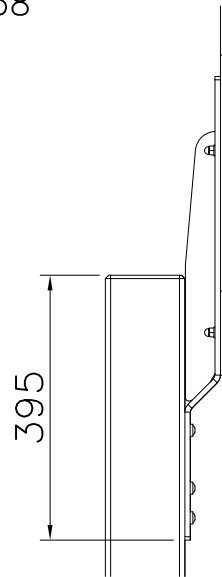
DET 56



DET 57



DET 58



DET 59

DET 60