

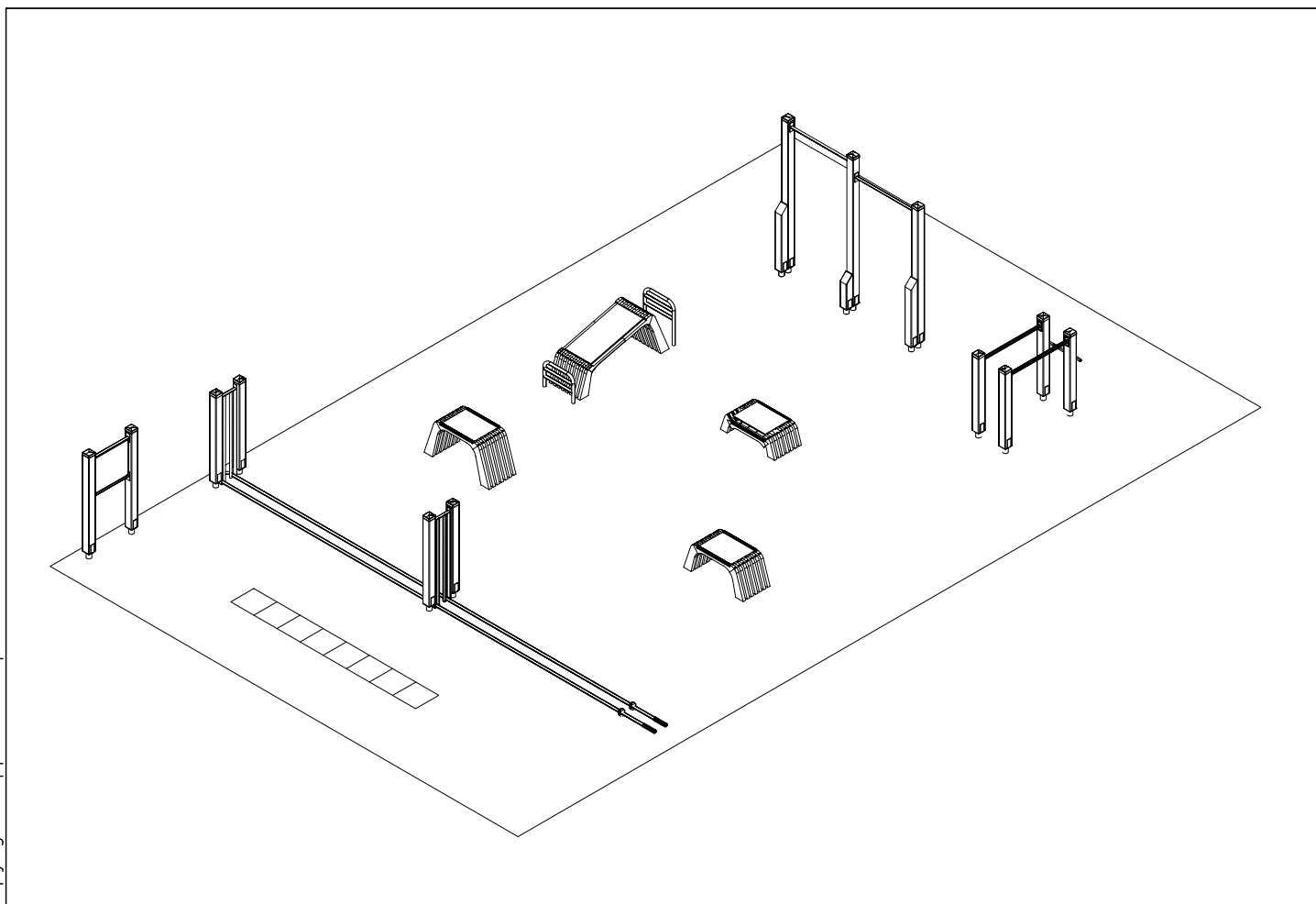
LAPPSET®

SPORT

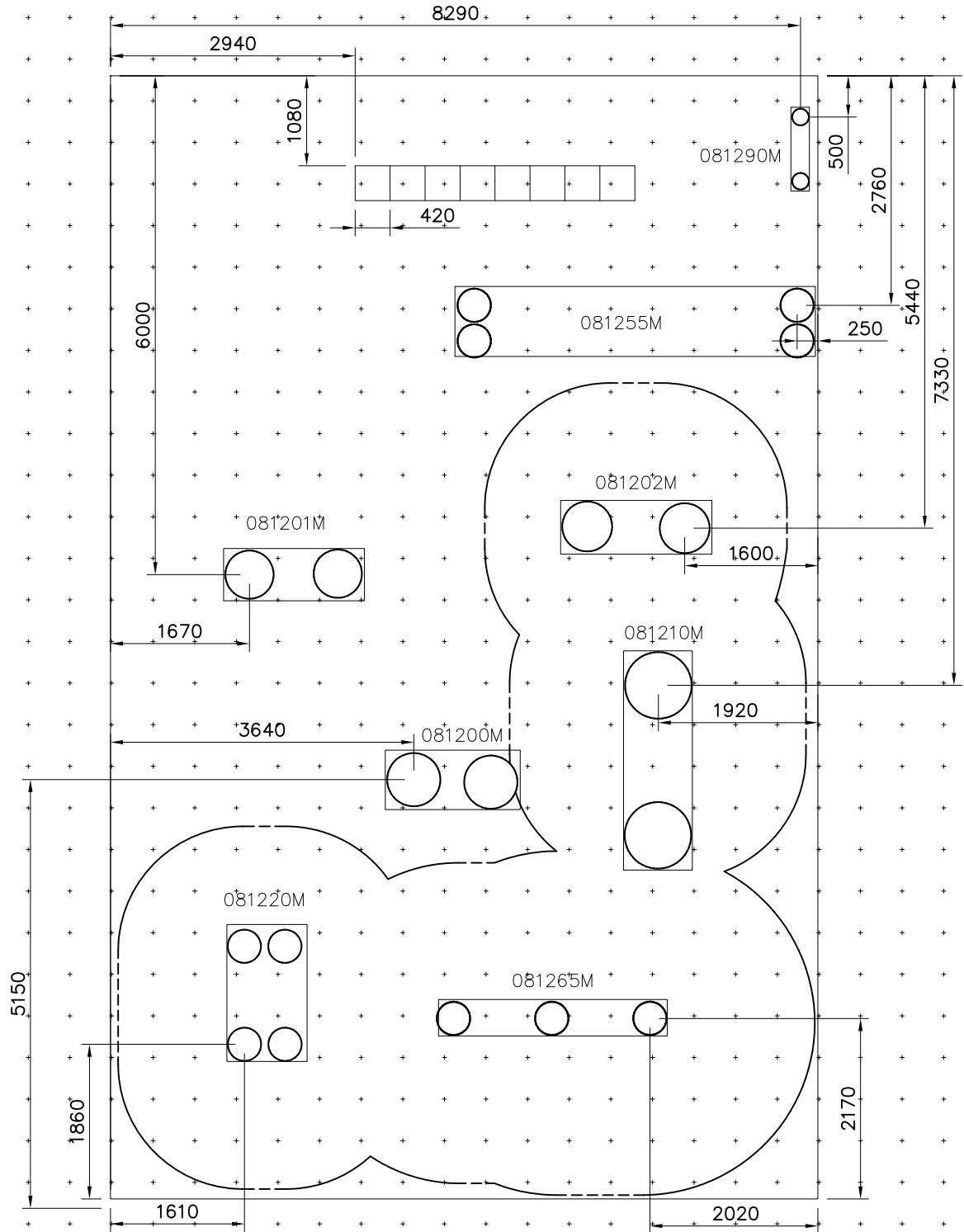
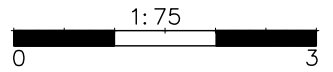
ASENNUSOHJE
MONTERINGSANSVISNING
INSTALLATION INSTRUCTION
AUFBAUANLEITUNG
NOTICE D'INSTALLATION

DATE: 20.10.2015

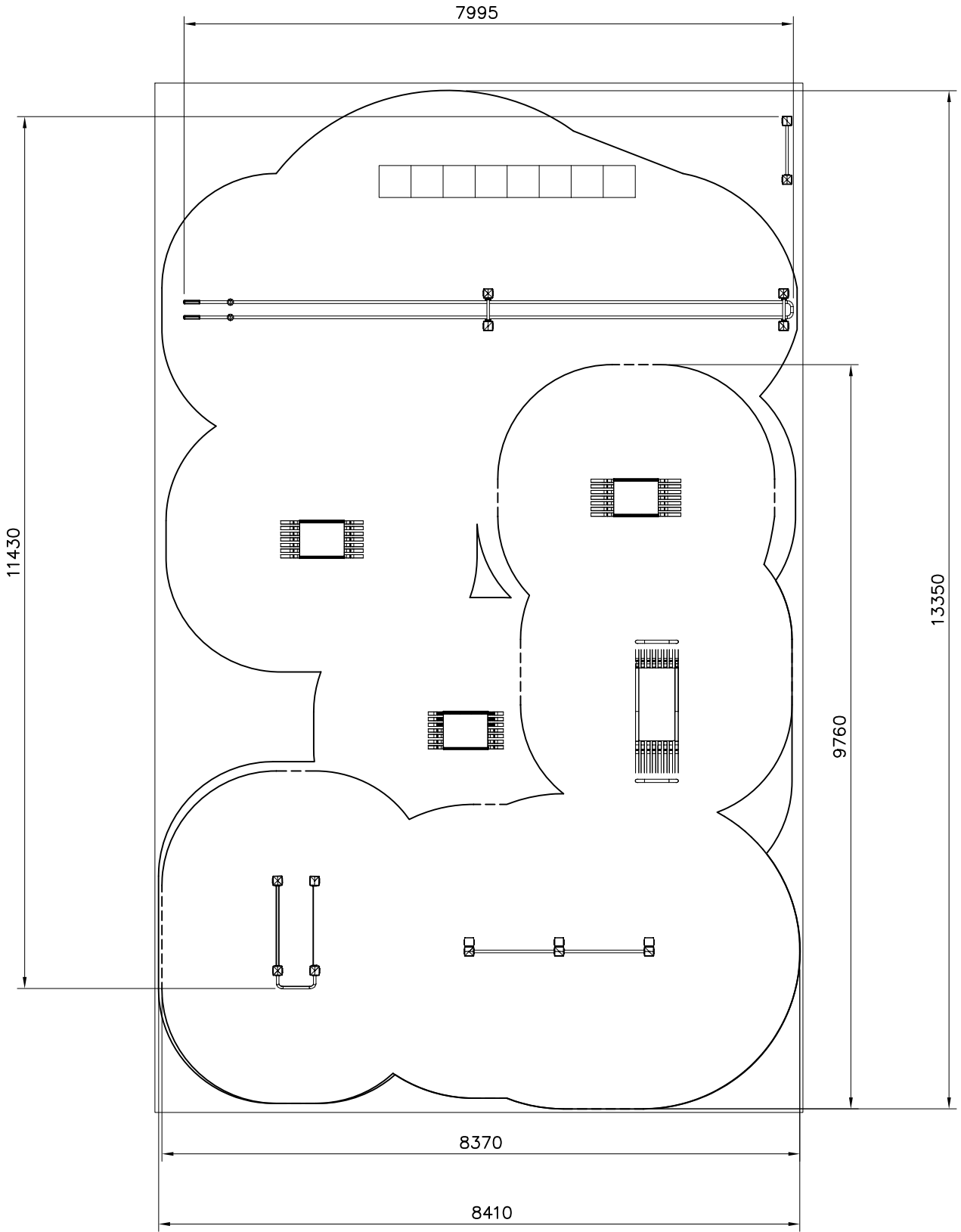
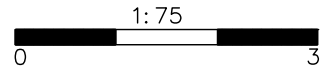
081321M

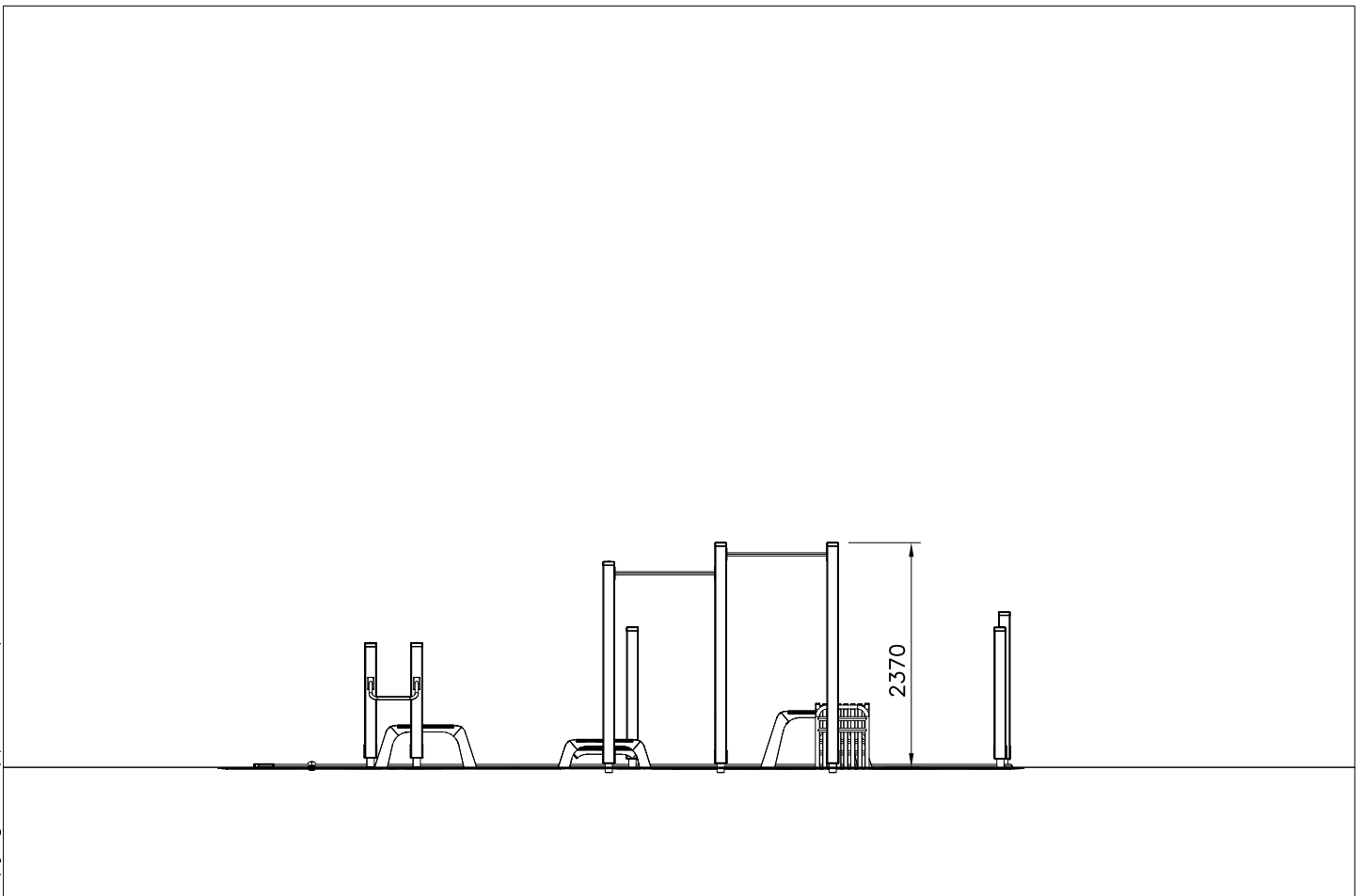
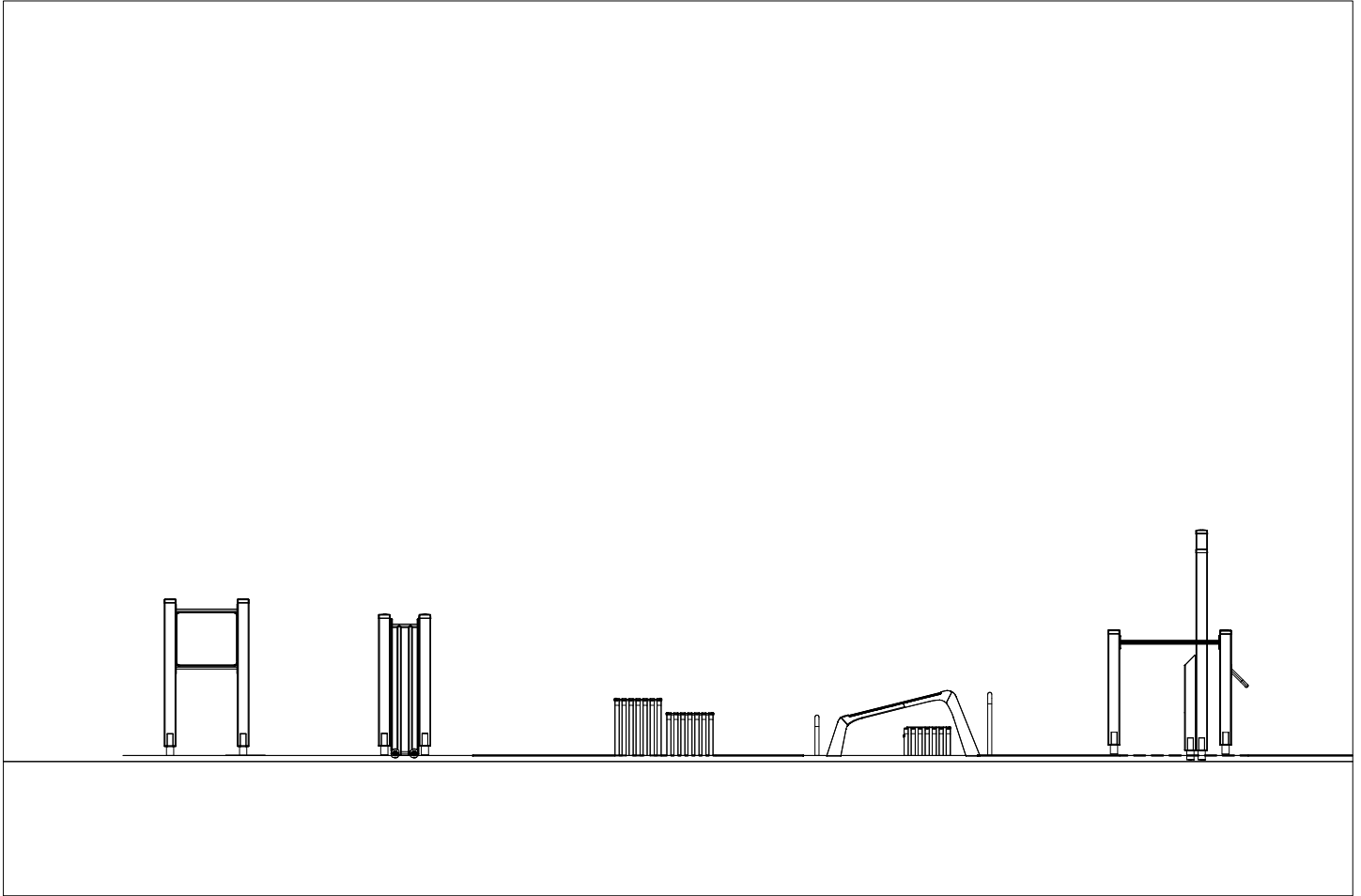


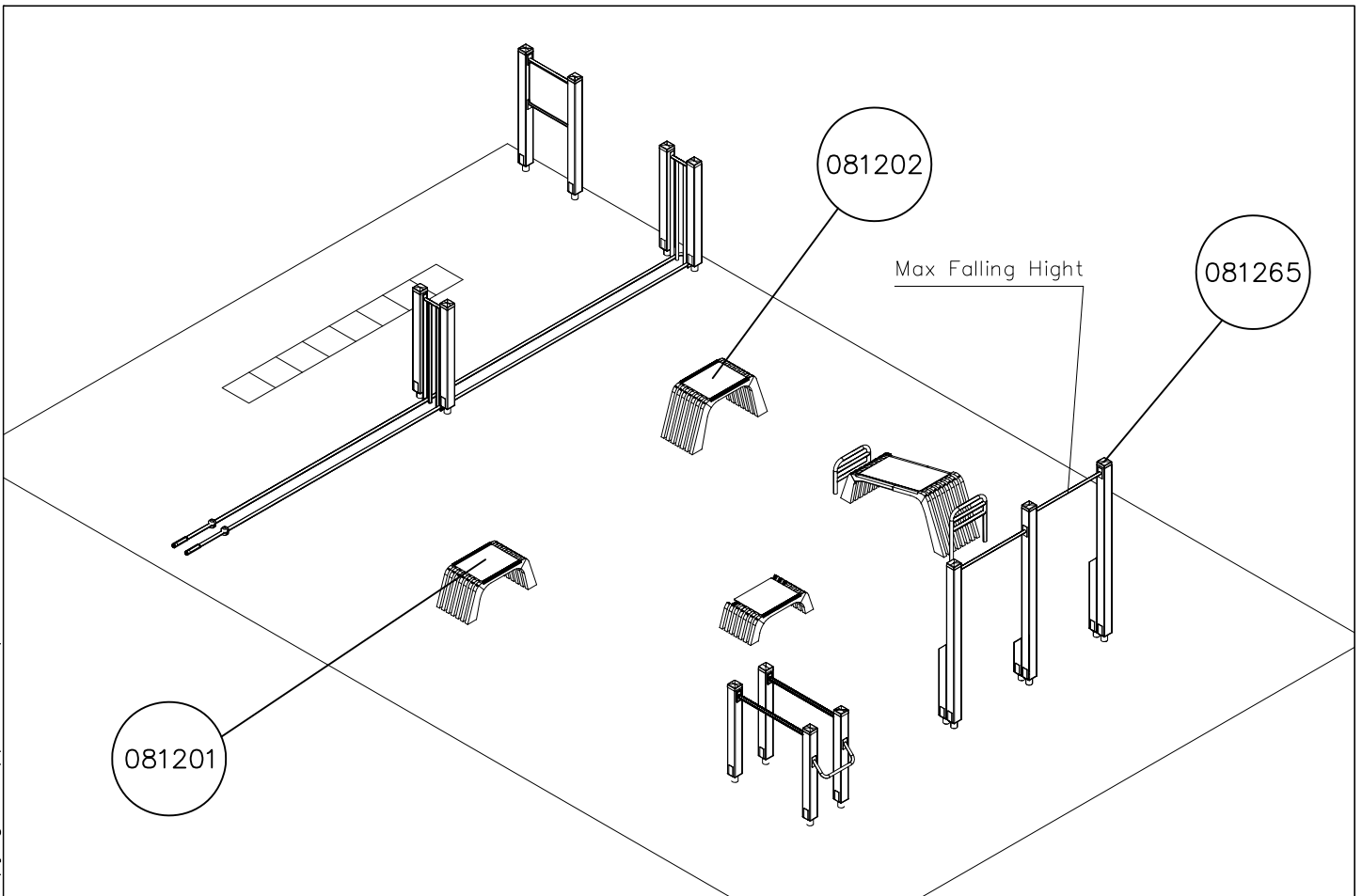
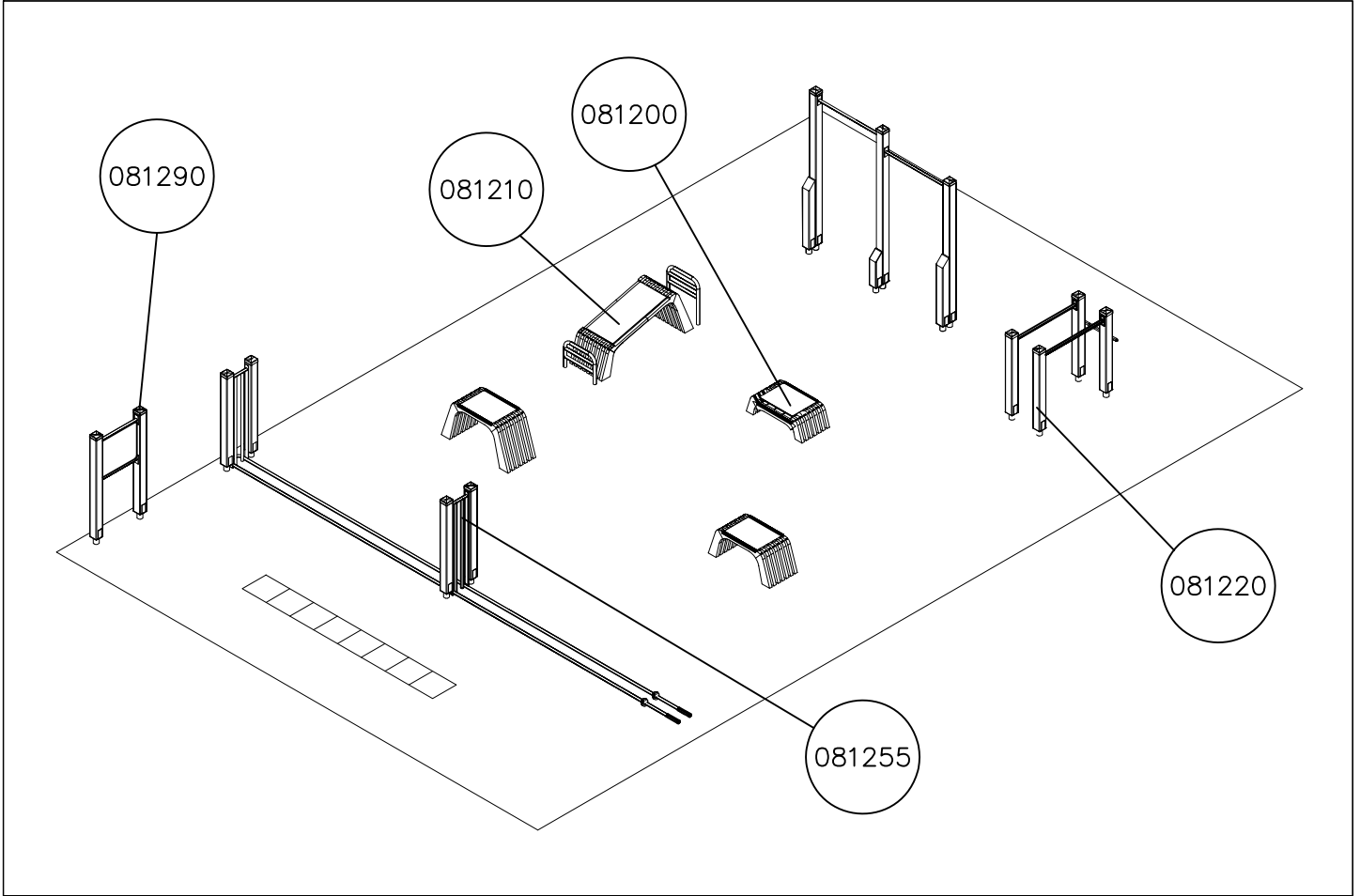
Impact Area 50,4 m²
Grid size = 500 mm

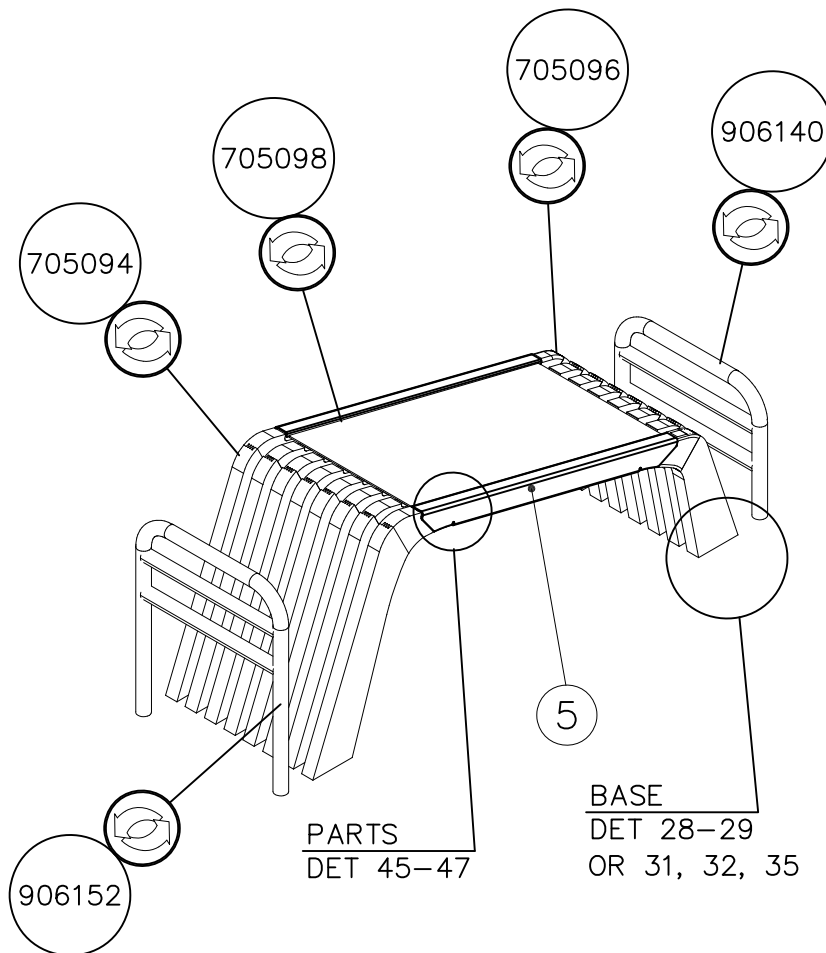


— Area of Movement 97.8 m²
— Impact Area 50.4 m²
Max Falling Height = 2320 mm

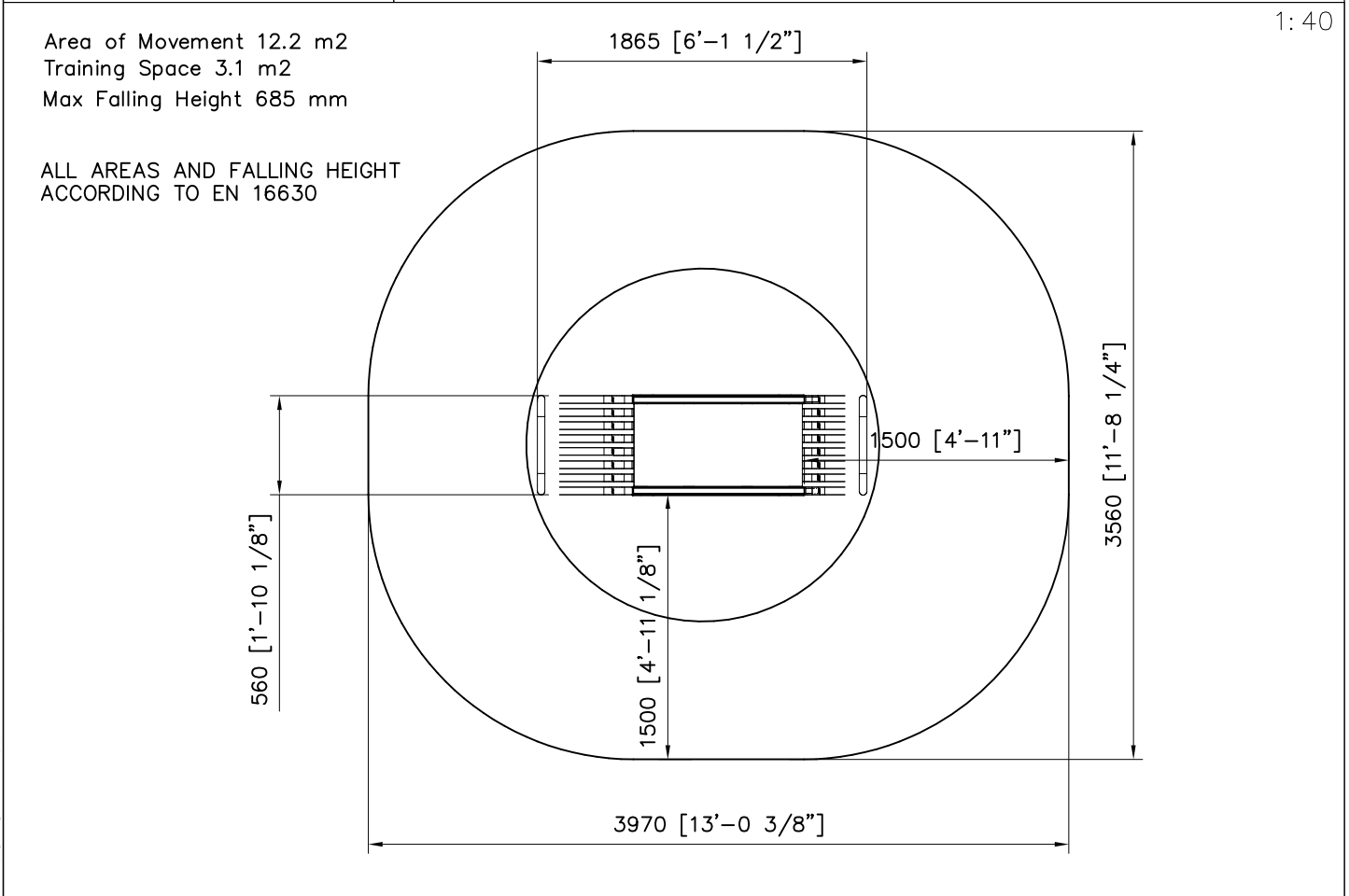
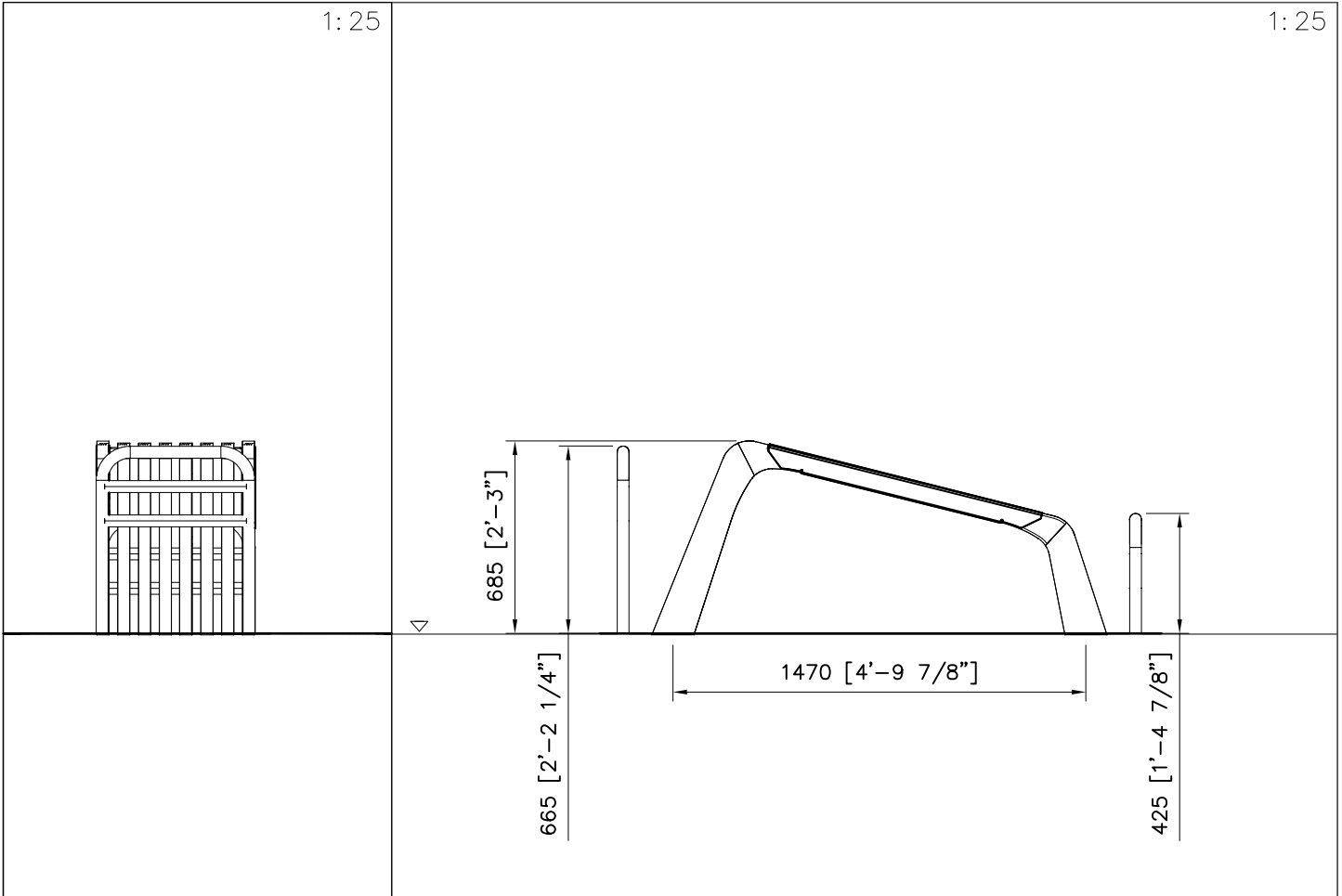


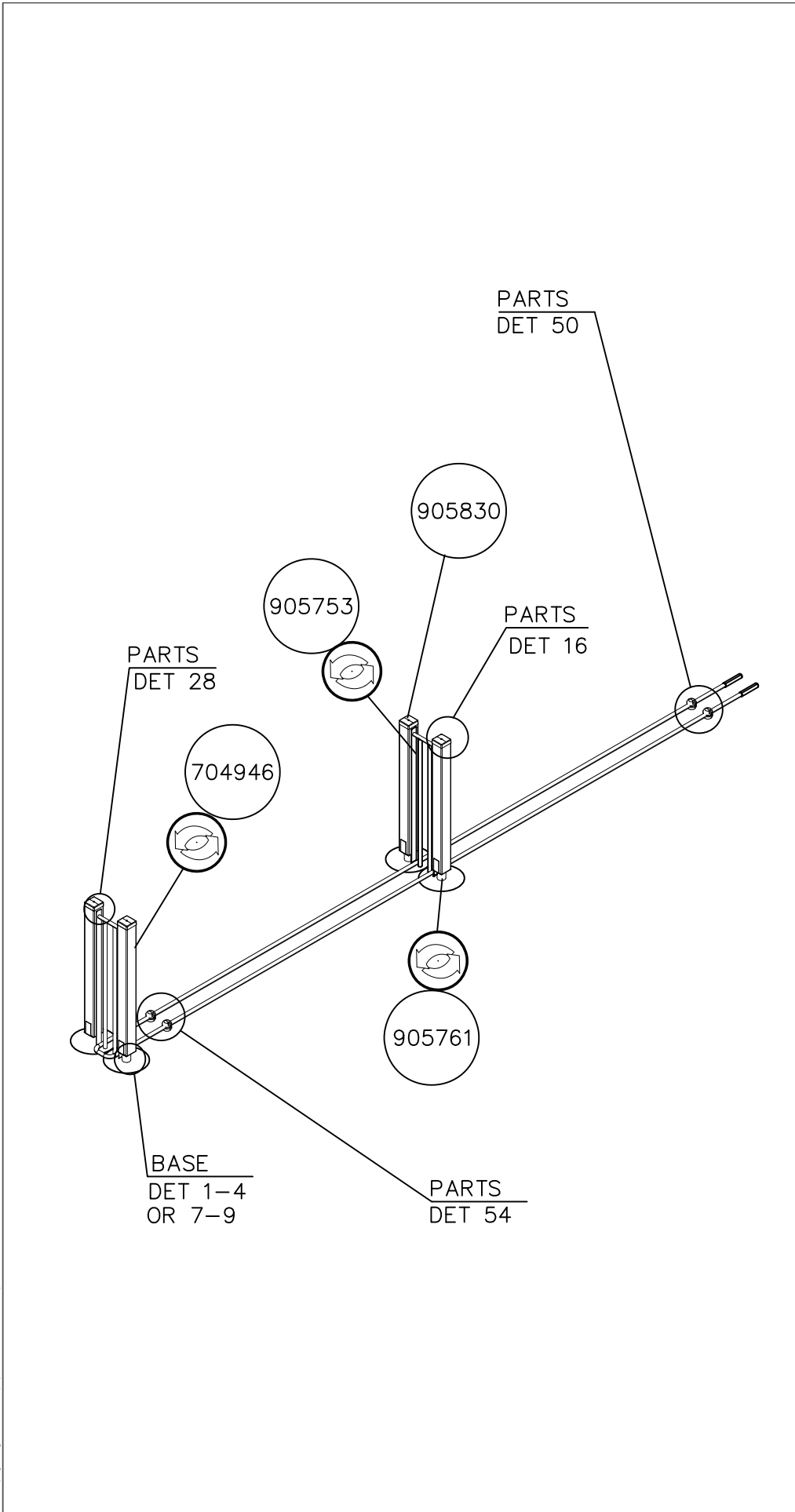







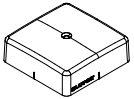



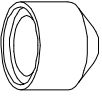
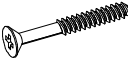
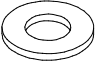


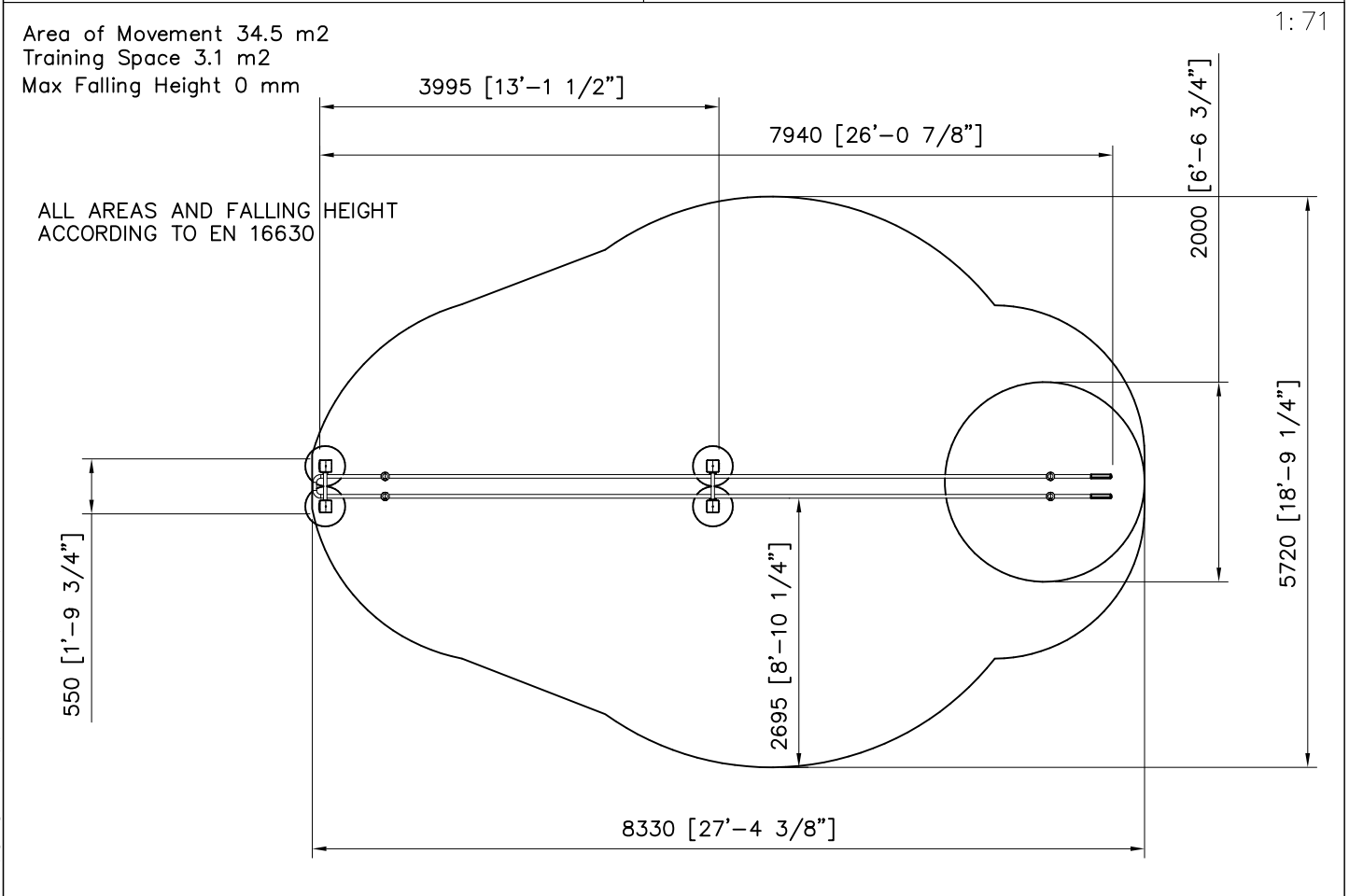
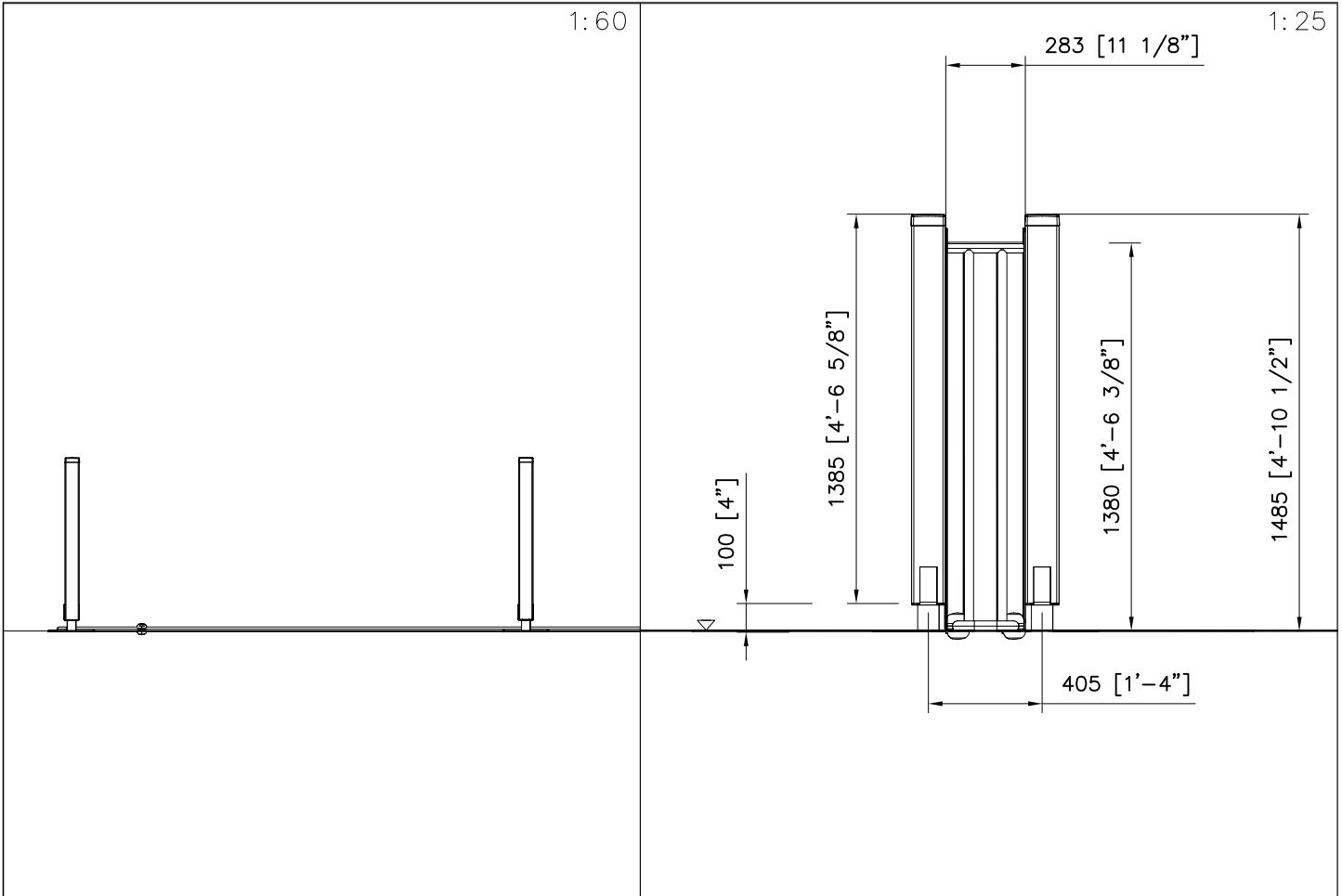


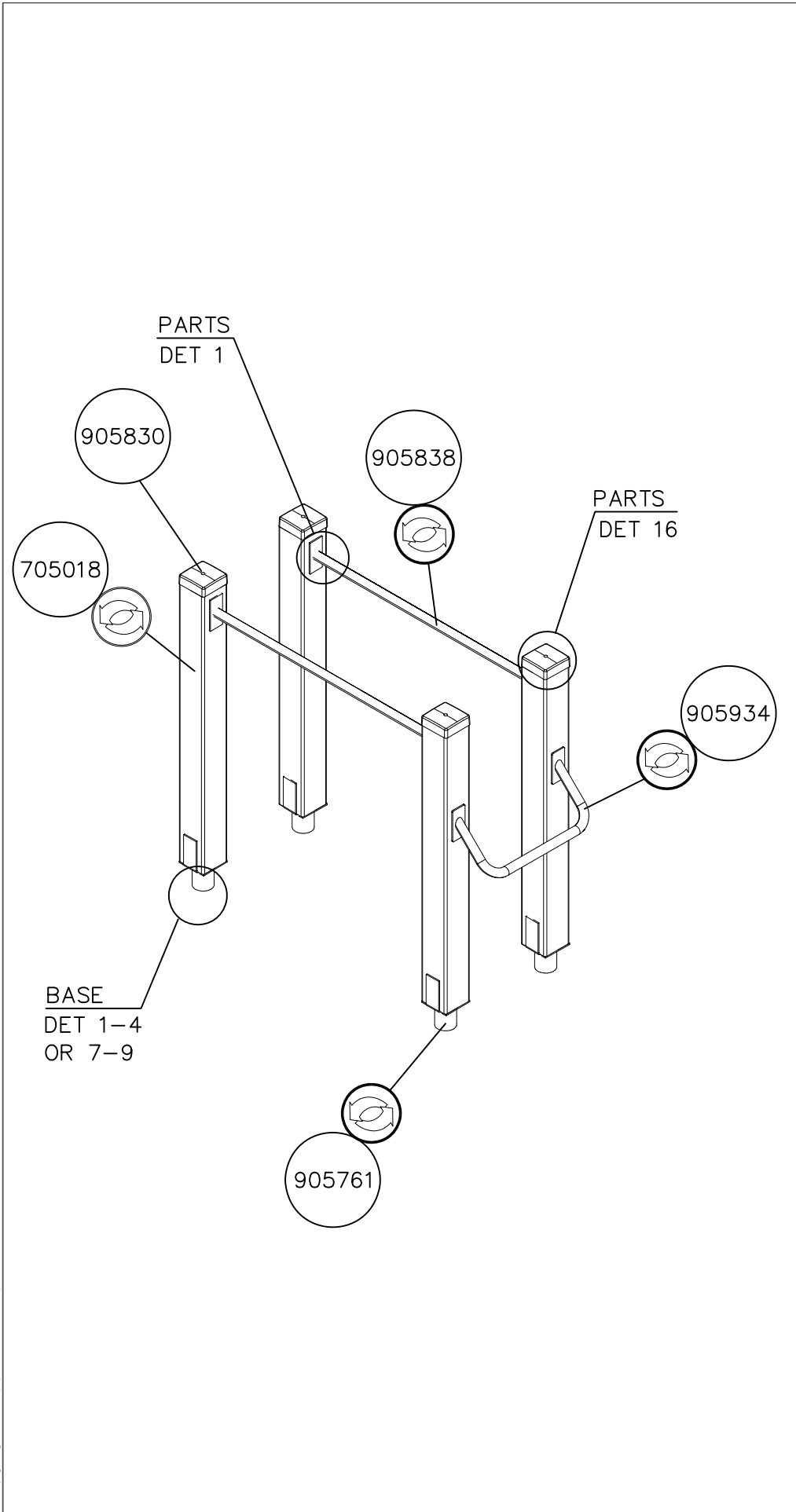
① 705094	PCS 1	② 705096	PCS 1
VATSA 700		VATSA 570	
③ 705098	PCS 1	④ 906147	PCS 1
16x471x1000		2x120x536	
⑤ 906148	PCS 2	⑥ 980102	PCS 8
2x1000		Ø5x40	
⑦ 980106	PCS 6	⑧ 980128	PCS 16
Ø5x40		Ø7x40	
⑨ 906140	PCS 1	⑩ 906152	PCS 1
565x480		565x720	
⑪ 706023	PCS 1	⑫ 980114	PCS 4
		Ø4x20	
⑬ 902272	PCS 4	⑭ 909519	PCS 4
90x90x450		50x380x380	
⑯ 909638	PCS 56	⑰ 909639	PCS 28
Ø20/10,5		M10x25	
		⑱ 906630	PCS 6
		8x60	

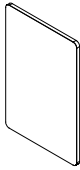


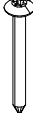
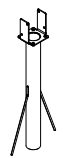
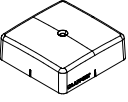
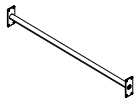
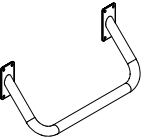

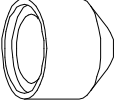



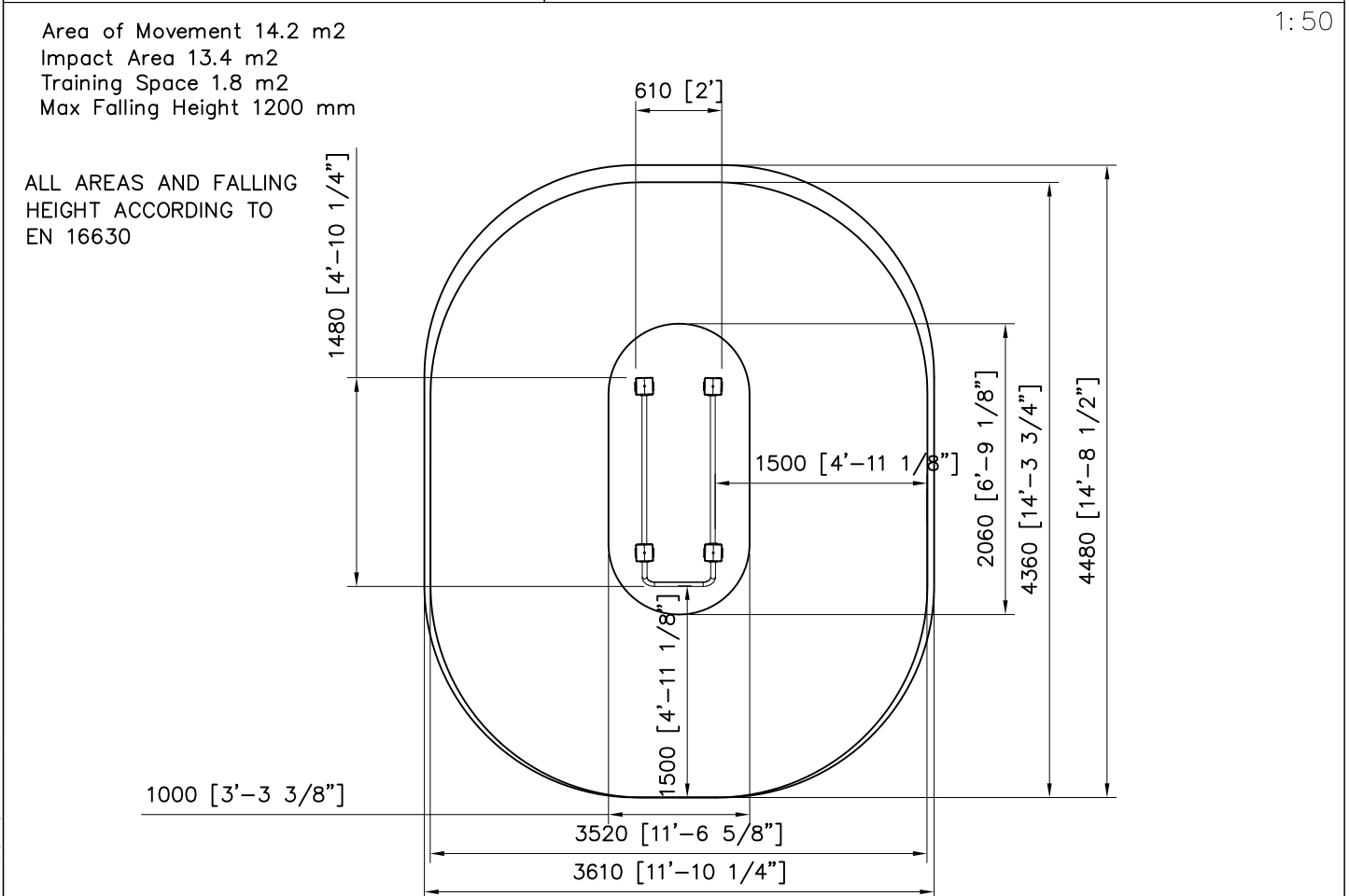
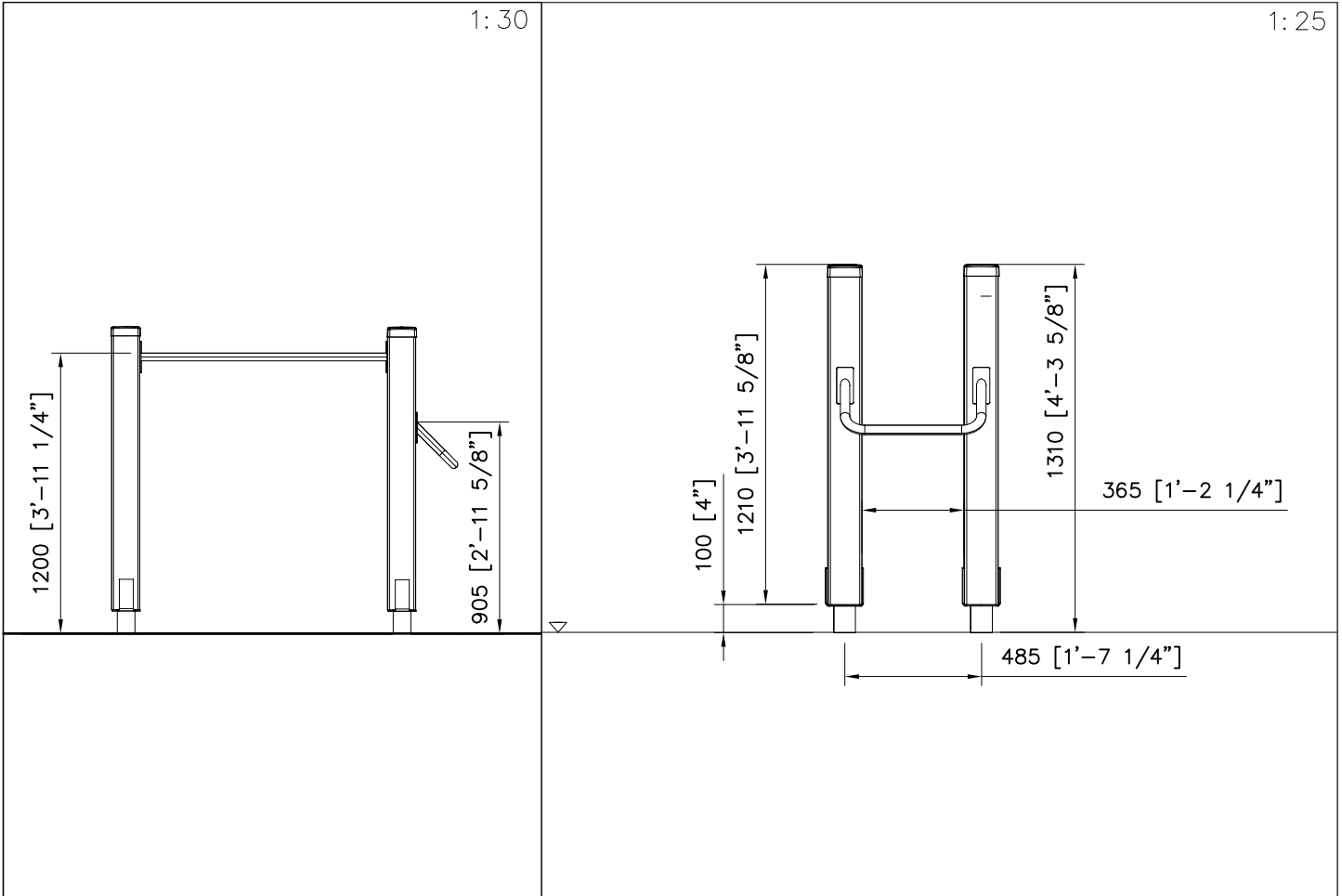


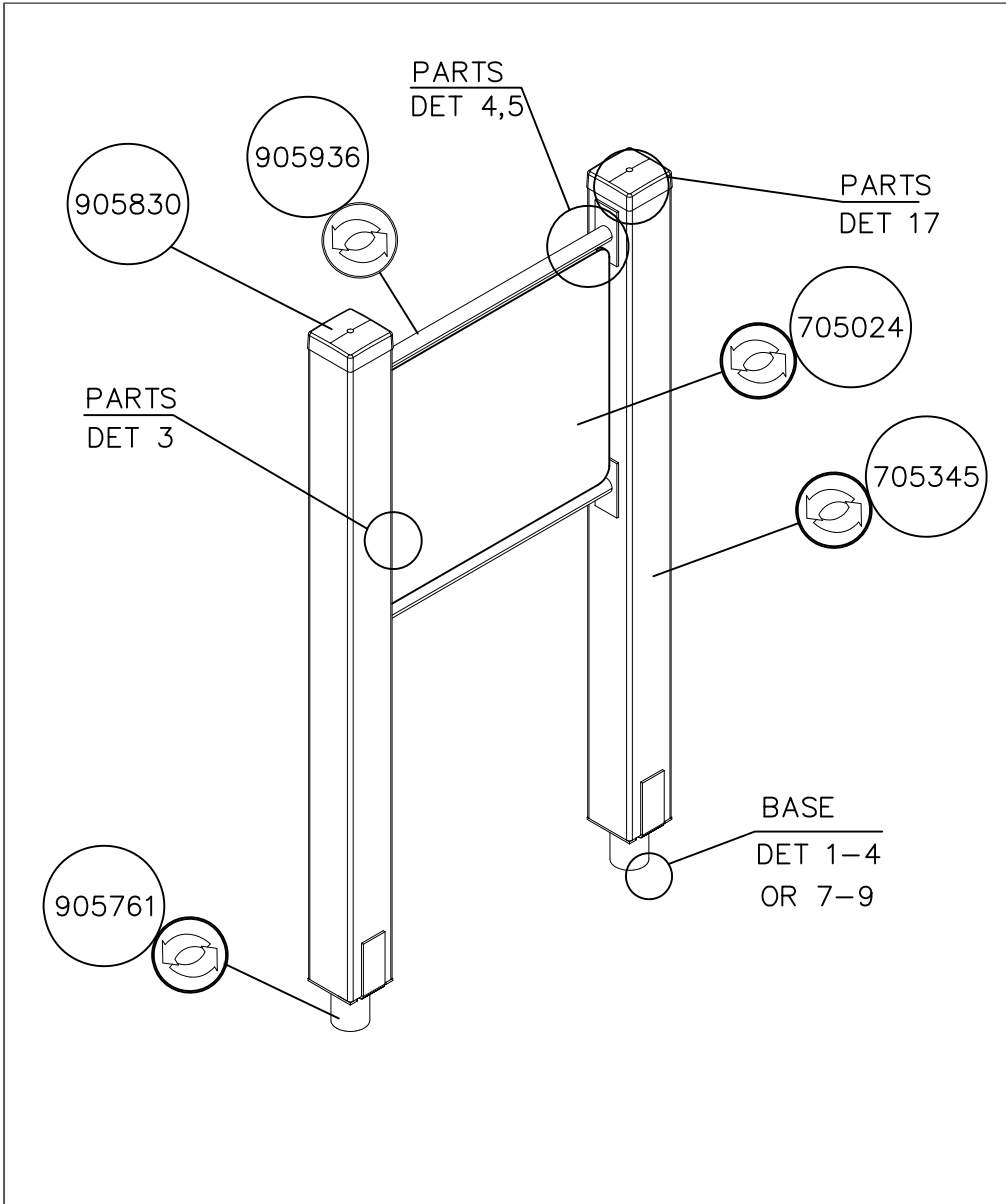
①	706032	PCS	②	705158	PCS
		1			1
				Ø37x16000	
③	704946	PCS	④	980114	PCS
		4			4
	120x120x1350			Ø4x20	
⑤	905761	PCS	⑥	905830	PCS
		4			4
	120x120x700			123x123x40	
⑦	980104	PCS	⑧	980123	PCS
		4			24
	Ø5x90			Ø7x60	
⑨	905753	PCS	⑩	905104	PCS
		2			16
	283x1477			M10	
⑪	980100	PCS	⑫	909256	PCS
		16			24
	Ø5x60			Ø16/8.4	
		PCS			PCS
		PCS			PCS





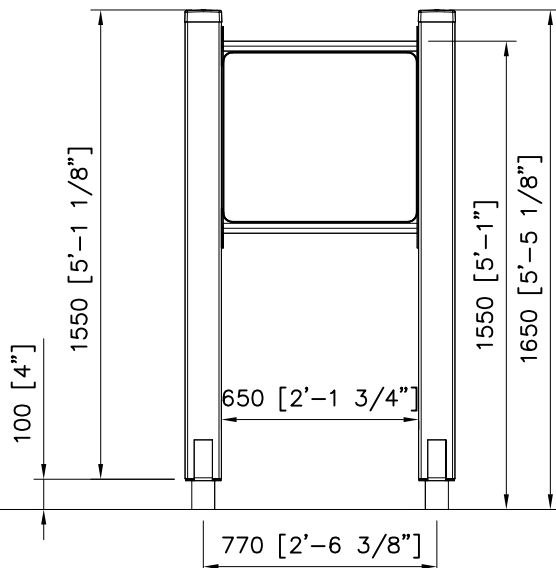
①	706024	PCS	②	705018	PCS
		1			4
				120x120x1170	
③	980114	PCS	④	980123	PCS
		4			40
	Ø4x20			Ø7x60	
⑤	905761	PCS	⑥	905830	PCS
		4			4
	120x120x700			123x123x40	
⑦	905838	PCS	⑧	905934	PCS
		2			1
	L=1060			L=485	
⑨	980104	PCS	⑩	905104	PCS
		4			16
	Ø5x90			M10	
⑪	909256	PCS			PCS
		40			
	Ø16/8.4				
		PCS			PCS
		PCS			PCS





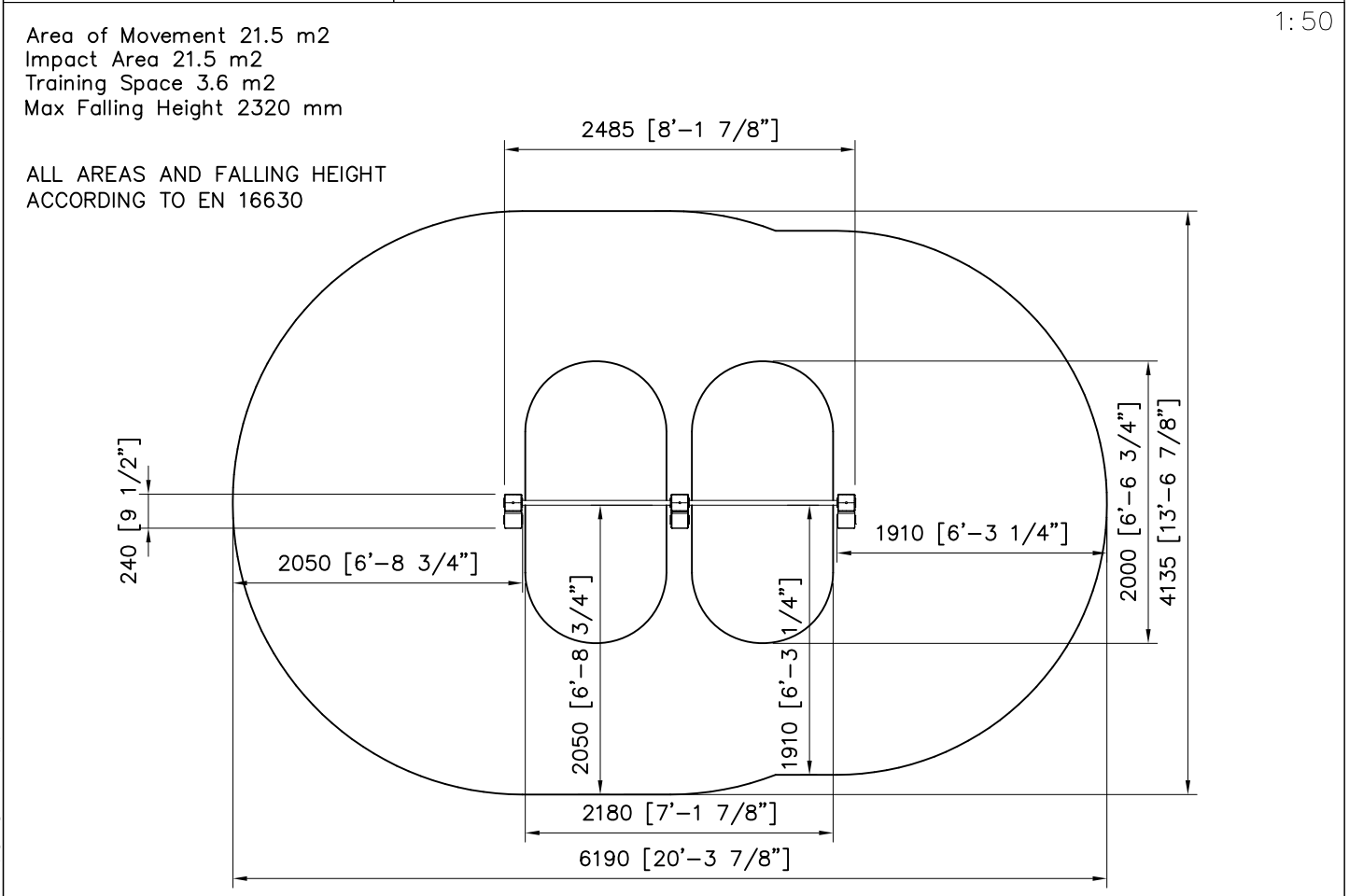
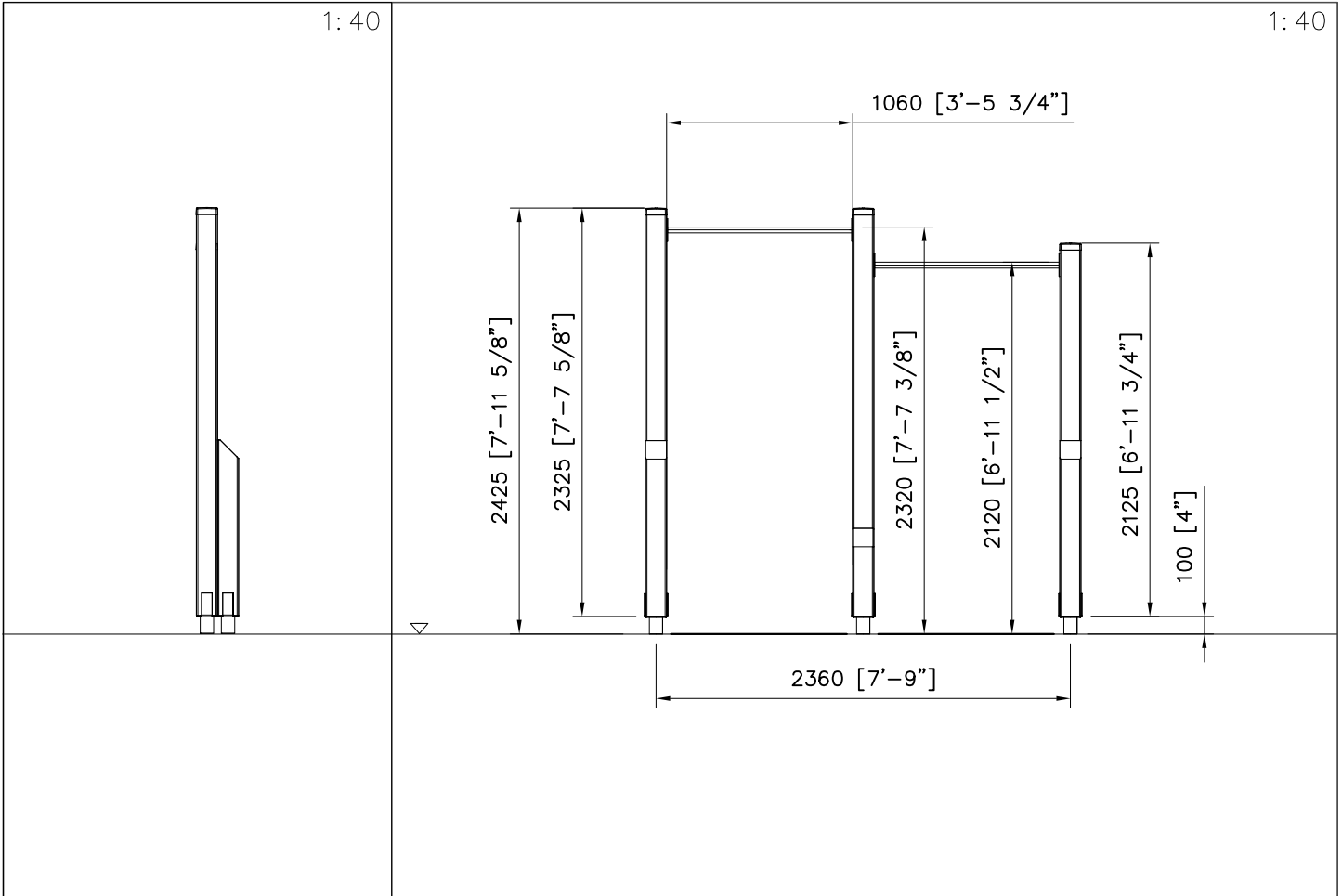
① 705024	PCS	② 705345	PCS
	1		2
15x640x560		120x120x1520	
③ 909633	PCS	④ 905104	PCS
	8		8
M8		M10	
⑤ 905761	PCS	⑥ 905830	PCS
	2		2
120x120x700		123x123x40	
⑦ 905936	PCS	⑧ 909256	PCS
	2		28
L=652		Ø16/8.4x1.6	
⑨ 909855	PCS	⑩ 980104	PCS
	8		2
M8x35		Ø5x90	
⑪ 980123	PCS		PCS
	20		
Ø7x60			
⑫ 901899	PCS		PCS
Optio	8		
M8x45			
	PCS		PCS

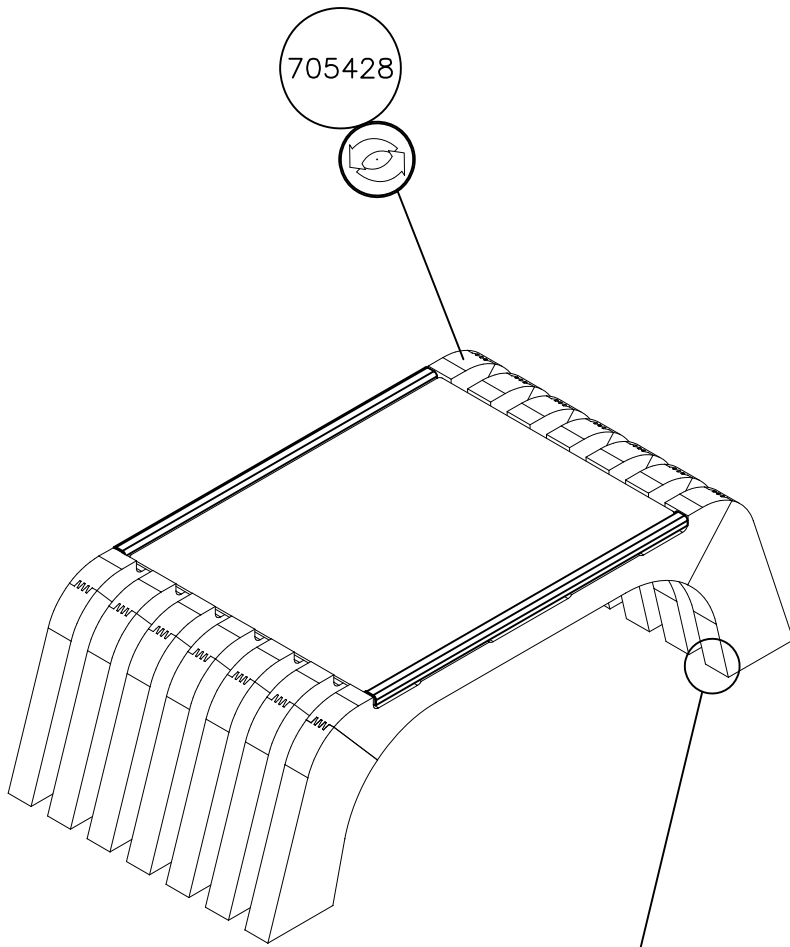
1:25



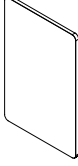

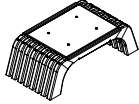

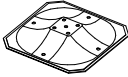
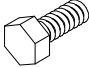




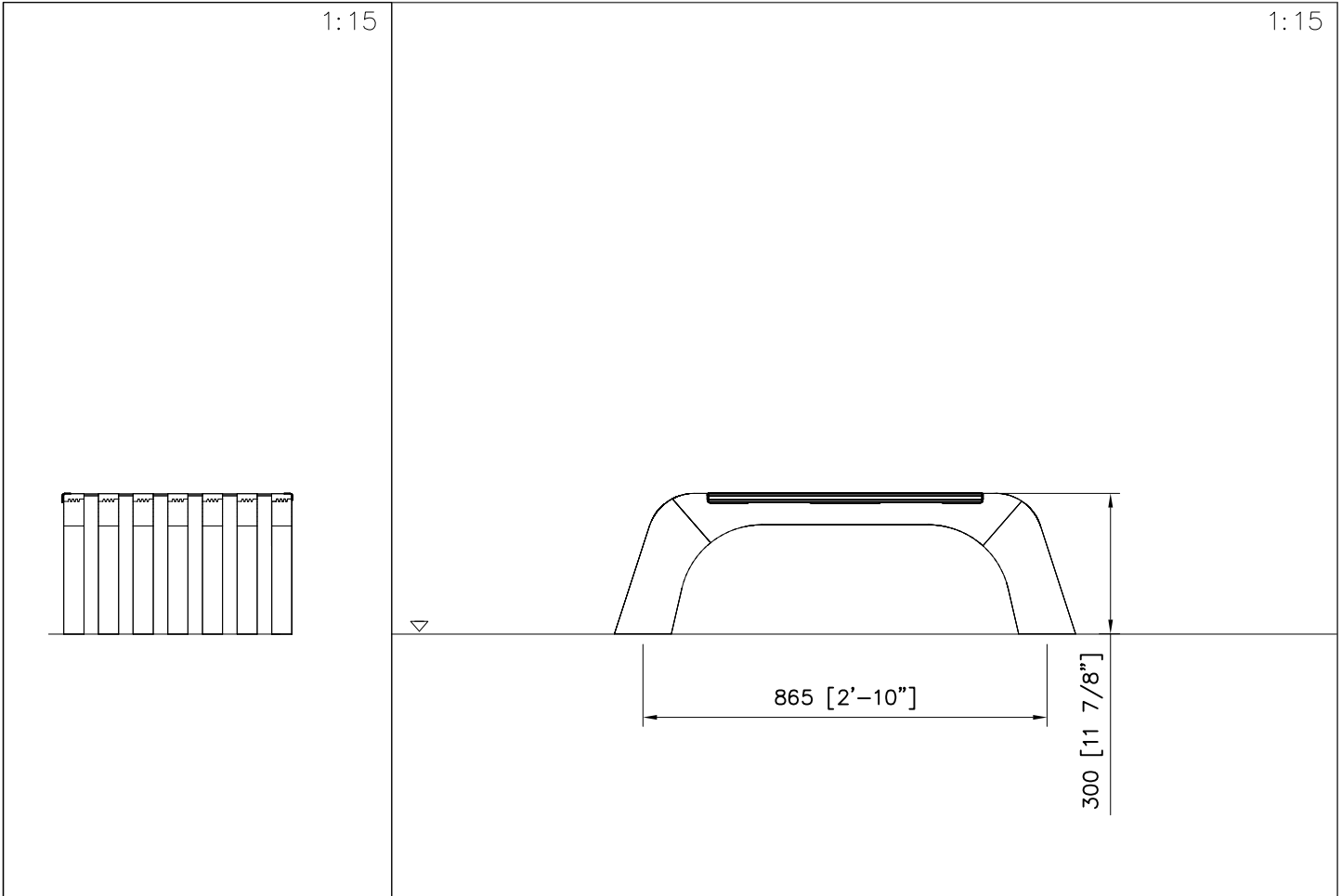
①	706033	PCS	②	705335	PCS
	1			2	
			120x120x1000		
③	705406	PCS	④	980114	PCS
	1			4	
126x181x18			Ø4x20		
⑤	705405	PCS	⑥	905103	PCS
	1			7	
120x120x500			PT-28/32-H		
⑦	905104	PCS	⑧	905761	PCS
	24			6	
M10			120x120x700		
⑨	905830	PCS	⑩	905838	PCS
	3			2	
123x123x40			L=1060		
⑪	906583	PCS	⑫	909246	PCS
	2			7	
126x181x14x3			M12x140		
⑬	980100	PCS	⑭	980104	PCS
	3			3	
Ø5x60			Ø5x90		
⑮	980123	PCS	⑯	705231	PCS
	40			1	
Ø7x60			120x120x2290		
⑰	705388	PCS	⑱	705402	PCS
	1			1	
120x120x2090			120x120x2290		
⑲	705402	PCS	⑳	909256	PCS
	1			40	
120x120x2290			Ø16/8.4		





BASE
DET 22-24
OR 25-27

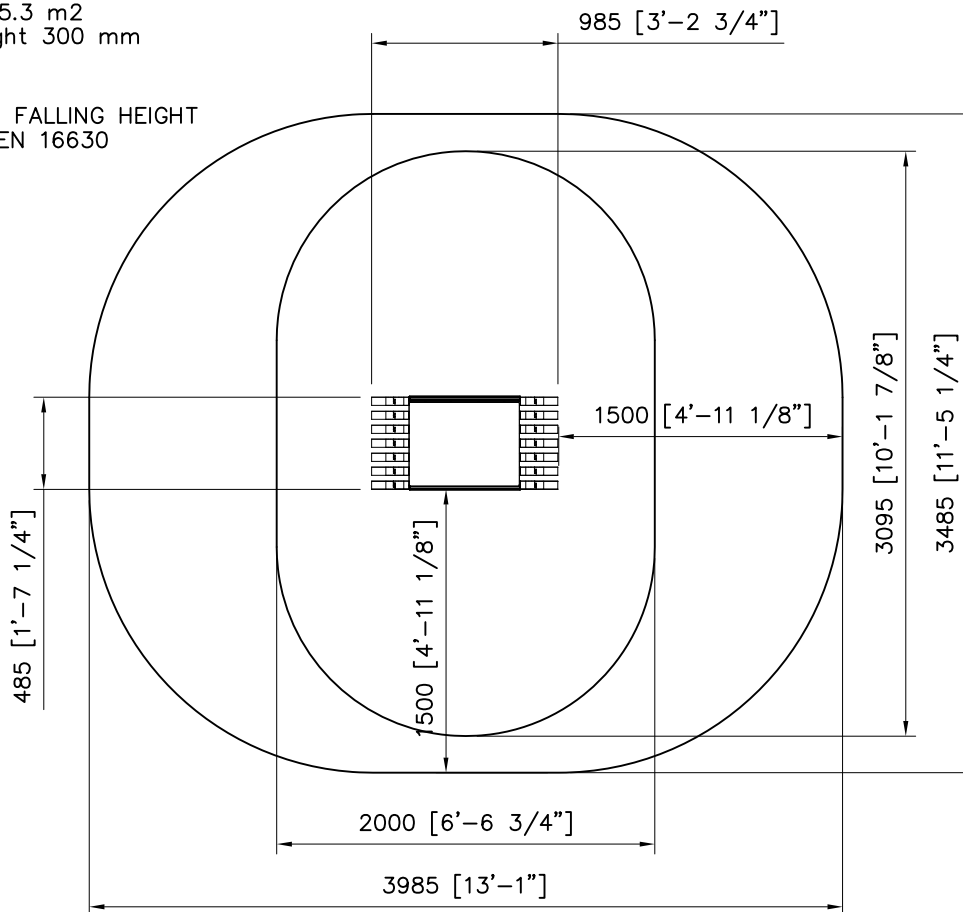
① 706017	PCS	② 980114	PCS
	1		4
		Ø4x20	
③ 705428	PCS	④ 902272	PCS
	1		4
		90x90x450	
⑤ 909519	PCS	⑥ 909639	PCS
	4		8
50x380x380		M10x25	
⑦ 909638	PCS	⑧ 909637	PCS
	16		8
Ø20/10.5		M10	
	PCS		PCS
	PCS		PCS
	PCS		PCS
	PCS		PCS

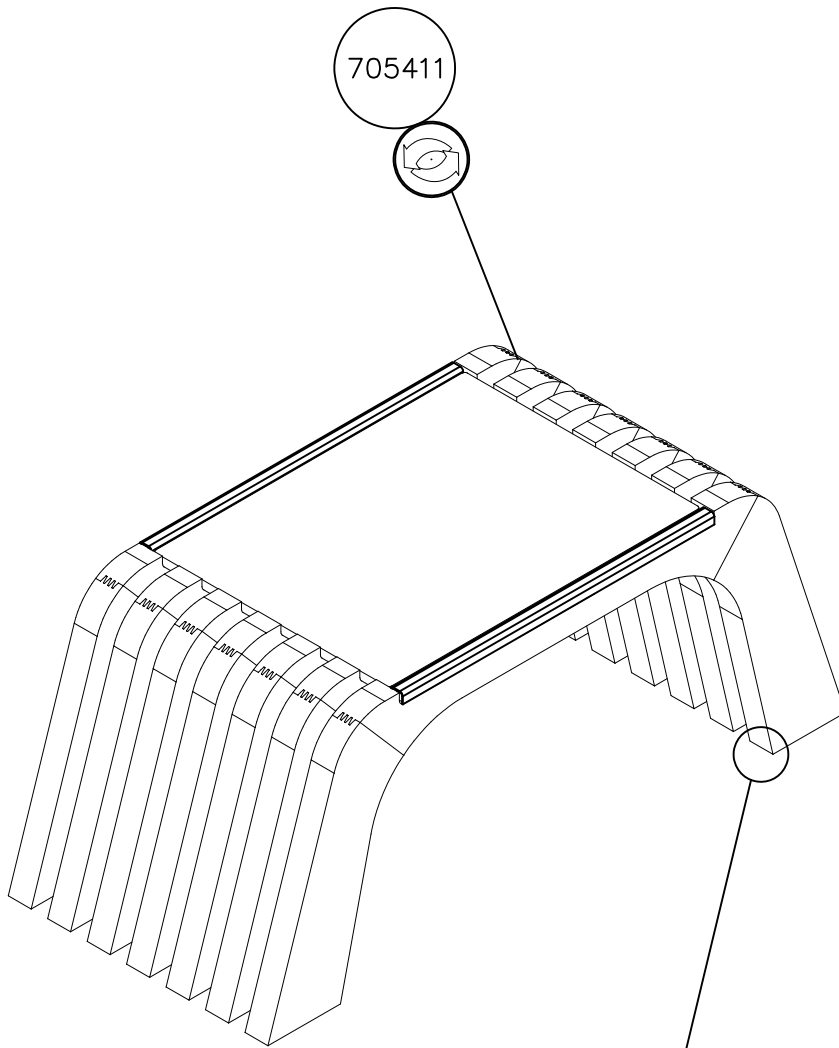


Area of Movement 12 m2
Training Space 5.3 m2
Max Falling Height 300 mm



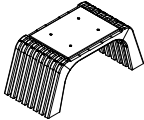
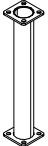
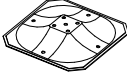
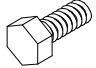
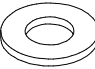

1:40

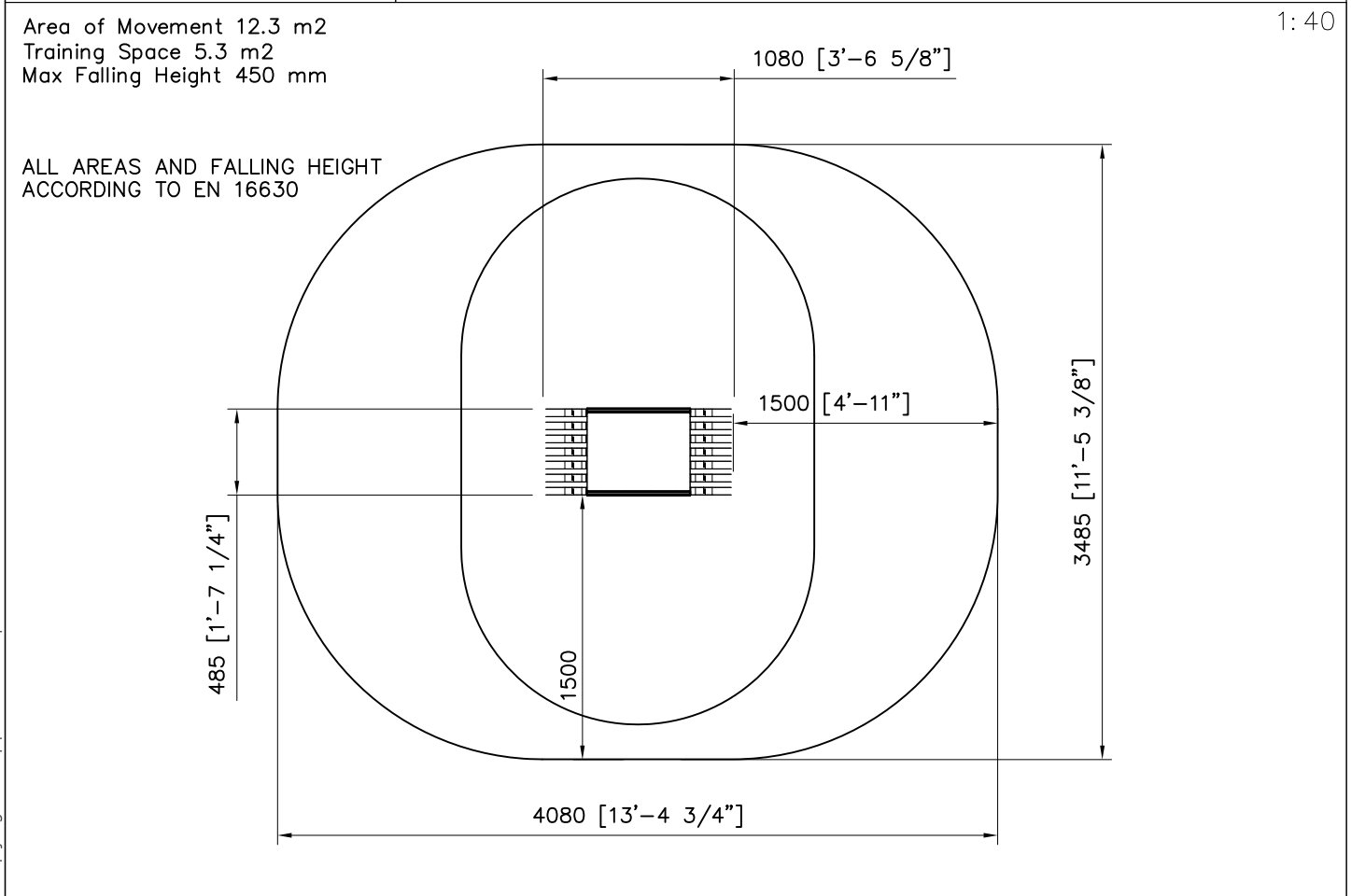
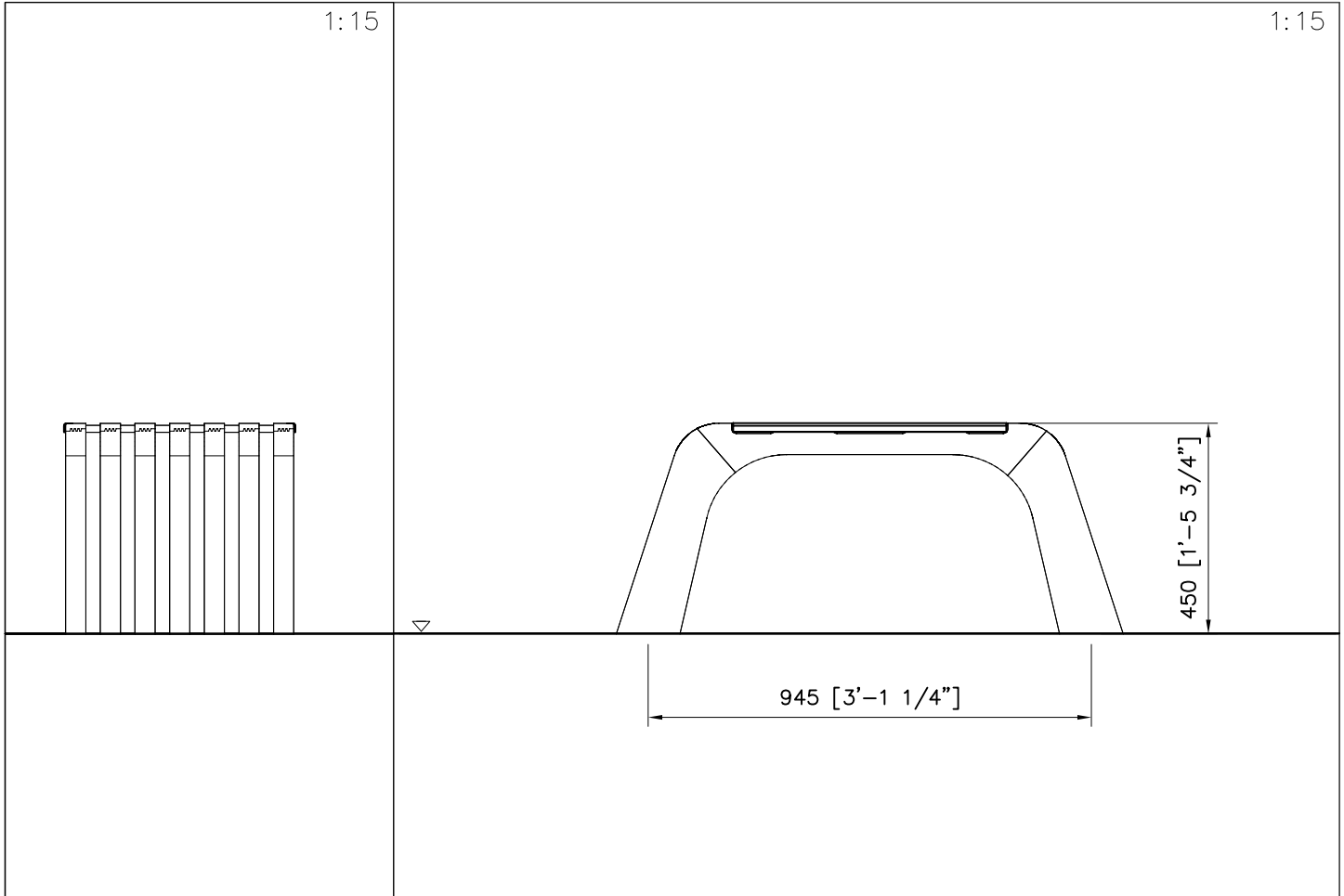
ALL AREAS AND FALLING HEIGHT
ACCORDING TO EN 16630

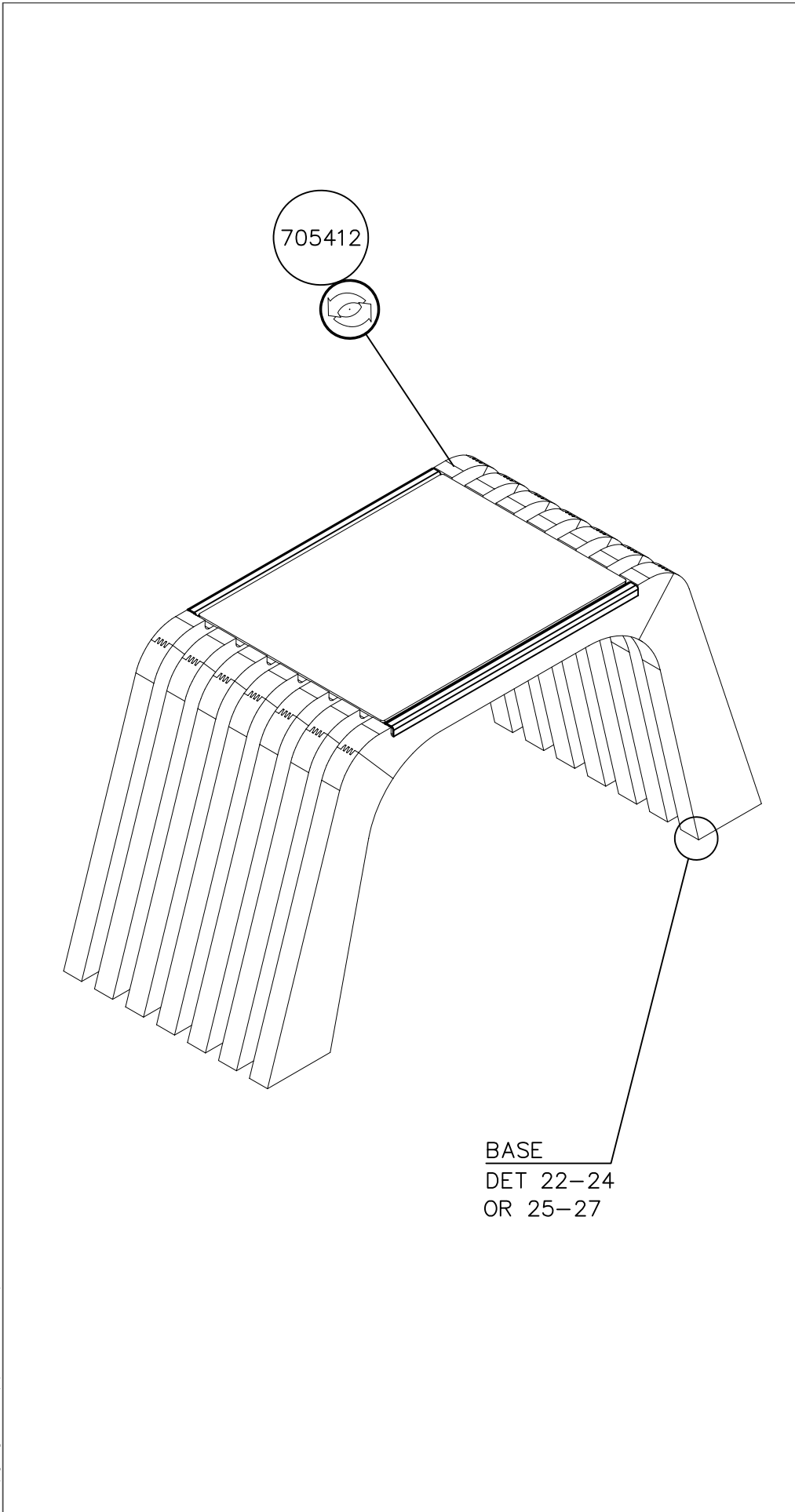


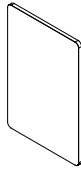

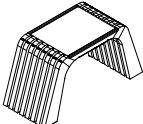


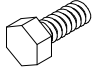
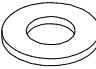



BASE
DET 22-24
OR 25-27

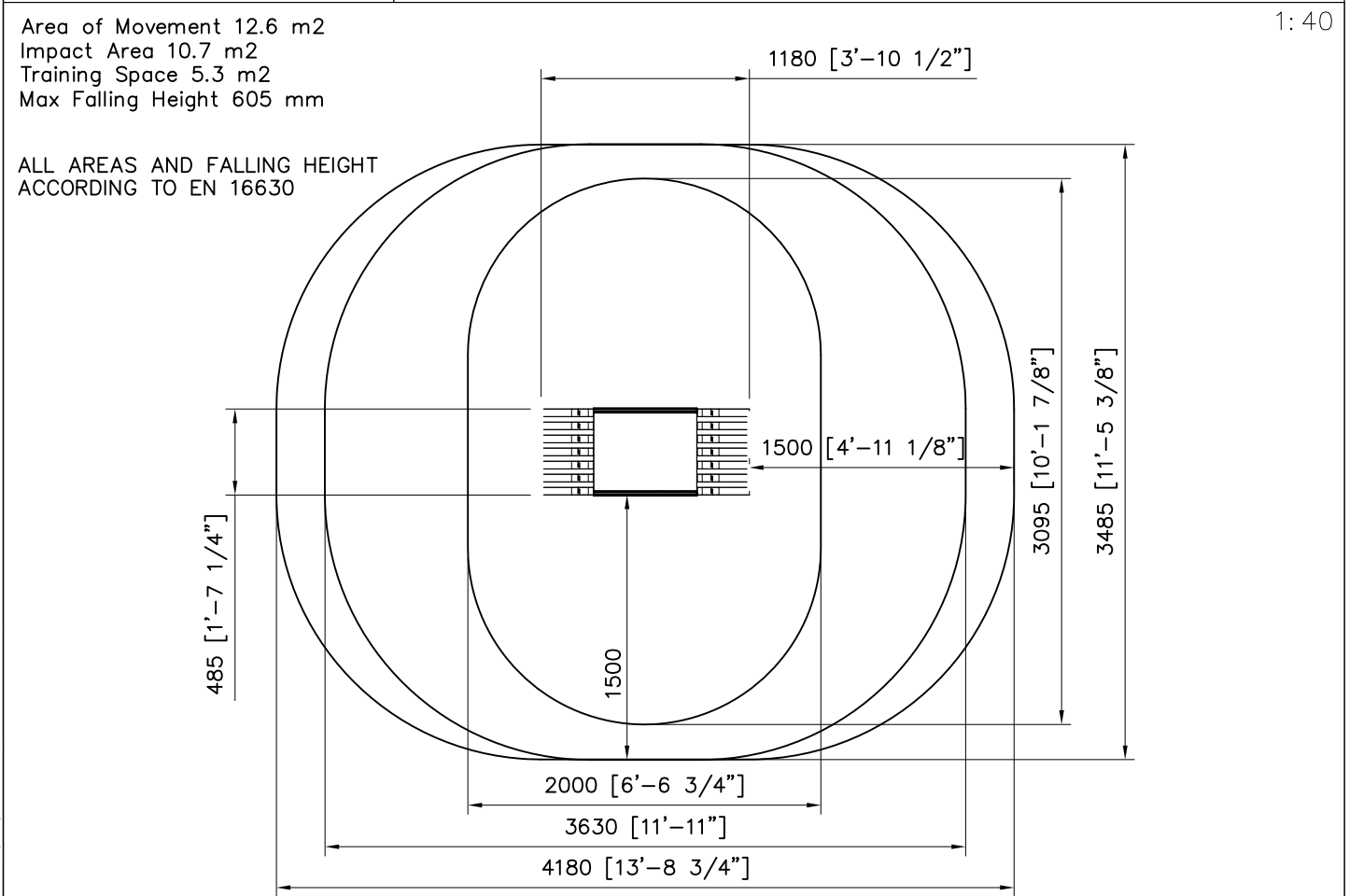
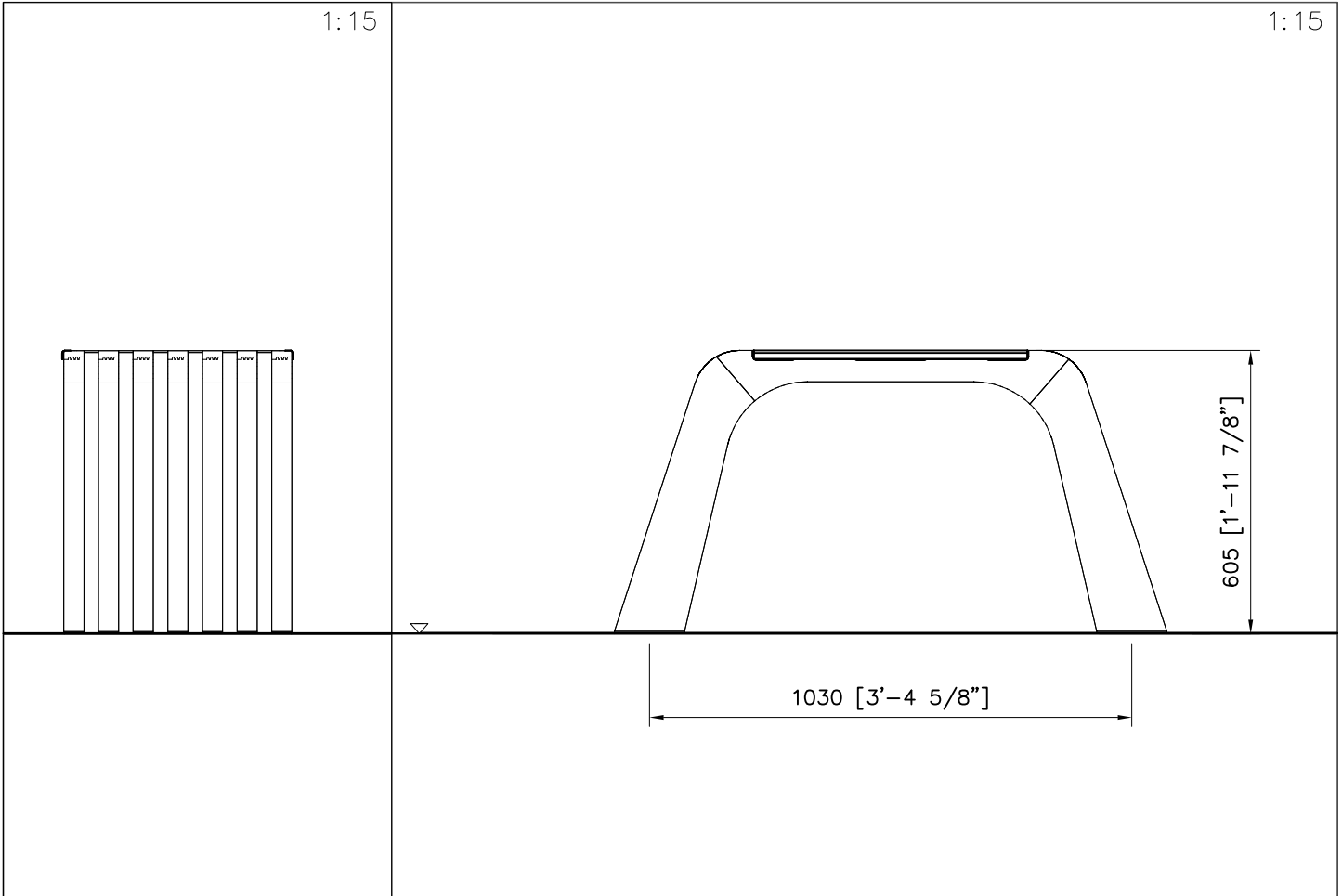
①	706018	PCS	②	980114	PCS
		1			4
				Ø4x20	
③	705411	PCS	④	902272	PCS
		1			4
				90x90x450	
⑤	909519	PCS	⑥	909639	PCS
		4			8
	50x380x380			M10x25	
⑦	909638	PCS	⑧	909637	PCS
		16			8
	Ø20/10.5			M10	
		PCS			PCS
		PCS			PCS
		PCS			PCS
		PCS			PCS

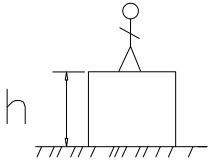



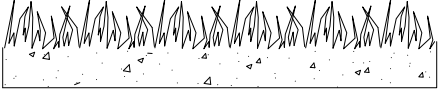
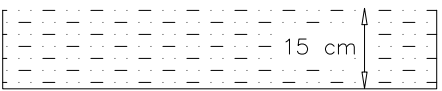
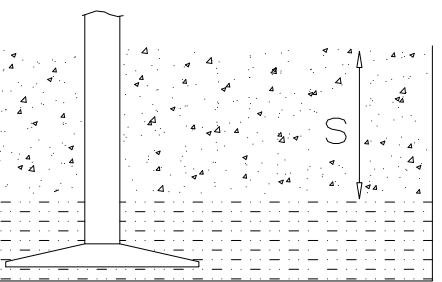
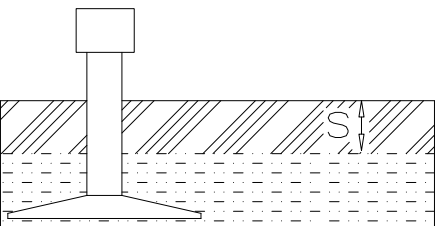




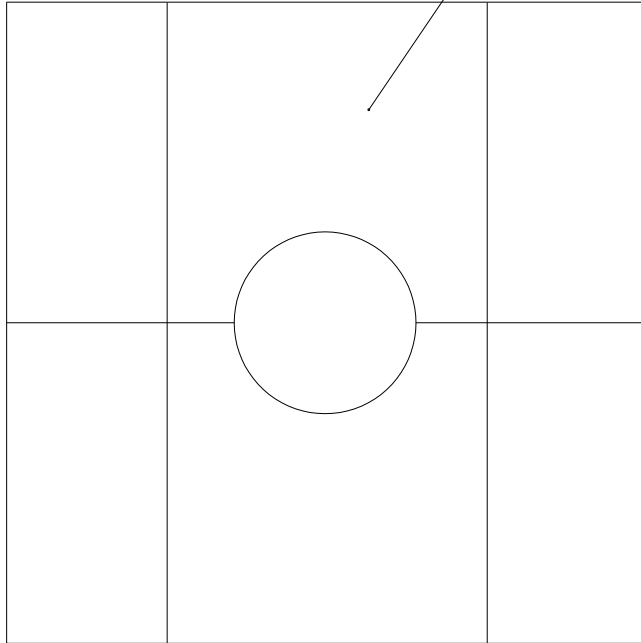
① 706019	PCS	② 980114	PCS
	1		4
		Ø4x20	
③ 705412	PCS	④ 902272	PCS
	1		4
		90x90x450	
⑤ 909519	PCS	⑥ 909639	PCS
	4		8
50x380x380		M10x25	
⑦ 909638	PCS	⑧ 909637	PCS
	16		8
Ø20/10.5		M10	
	PCS		PCS
	PCS		PCS
	PCS		PCS
	PCS		PCS

BASE
DET 22-24
OR 25-27



																							
<p>$h < 600$</p> <p>Without movement and therefore without Impact Area</p>	<p>Totally hard surfaces.</p> <p>Note. Lappset does <u>not recommend</u> totally hard surfaces at all.</p>	<p>E.g. concrete or asphalt</p> 																					
<p>$h < 600$</p> <p>With movement e.g. rocking</p>	<p>Materials with very limited impact attenuating properties.</p>	<p>E.g. wood</p> 																					
<p>$h < 1000$</p>	<p>Materials with significant impact attenuating properties.</p>	<p>fine gravel 0–8 mm</p>  <p>grass</p>  <p>unsorted sand</p> 																					
<p>$h < 3000$</p>	<p>Loose fill material</p> <p>E.g. sand/gravel 0,25...8 mm D60/D10<3,0 Woodchips 5...30 mm bark 20...80 mm</p> <p>Syntethic granulates</p> <table border="0"> <tr> <td>\underline{S}</td> <td>$\sim >$</td> <td>\underline{h}</td> </tr> <tr> <td>40 mm</td> <td></td> <td>1,2...1,3 m</td> </tr> <tr> <td>50 mm</td> <td></td> <td>1,5...1,7 m</td> </tr> <tr> <td>60 mm</td> <td></td> <td>1,8...2,0 m</td> </tr> <tr> <td>70 mm</td> <td></td> <td>2,1...2,5 m</td> </tr> </table> <p>Note. For accurate values, see manufacturer's instructions.</p>	\underline{S}	$\sim >$	\underline{h}	40 mm		1,2...1,3 m	50 mm		1,5...1,7 m	60 mm		1,8...2,0 m	70 mm		2,1...2,5 m	 <table border="0"> <tr> <td>\underline{S}</td> <td>\underline{h}</td> </tr> <tr> <td>30 cm</td> <td>$< 2,0$ m</td> </tr> <tr> <td>40 cm</td> <td>$< 3,0$ m</td> </tr> </table> 	\underline{S}	\underline{h}	30 cm	$< 2,0$ m	40 cm	$< 3,0$ m
\underline{S}	$\sim >$	\underline{h}																					
40 mm		1,2...1,3 m																					
50 mm		1,5...1,7 m																					
60 mm		1,8...2,0 m																					
70 mm		2,1...2,5 m																					
\underline{S}	\underline{h}																						
30 cm	$< 2,0$ m																						
40 cm	$< 3,0$ m																						

REMOVE SAFETY SURFACE/SAND/GRAVEL
TO CHECK FOUNDATION

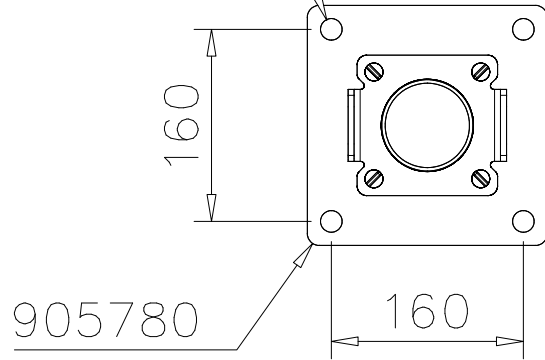


REMOVE SAFETY SURFACE/SAND/GRAVEL
TO CHECK FOUNDATION



DET 1

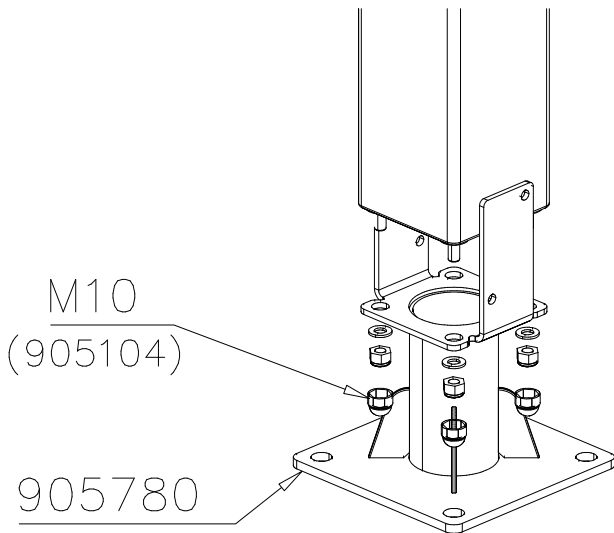
$\varnothing 16 \downarrow > 130$



DET 2



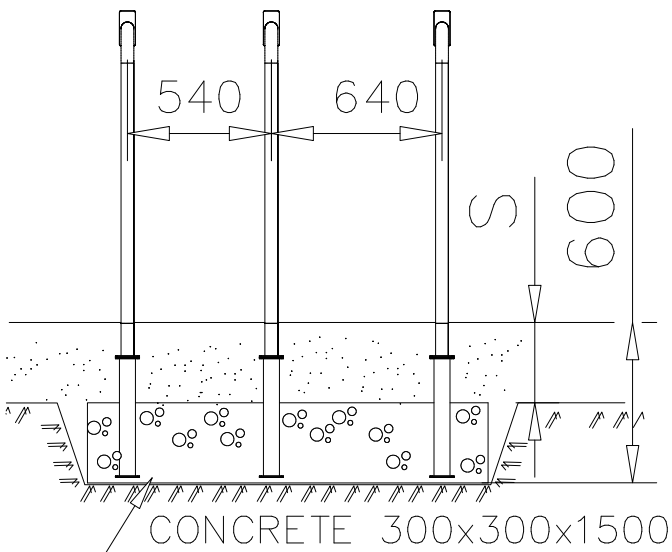
DET 3



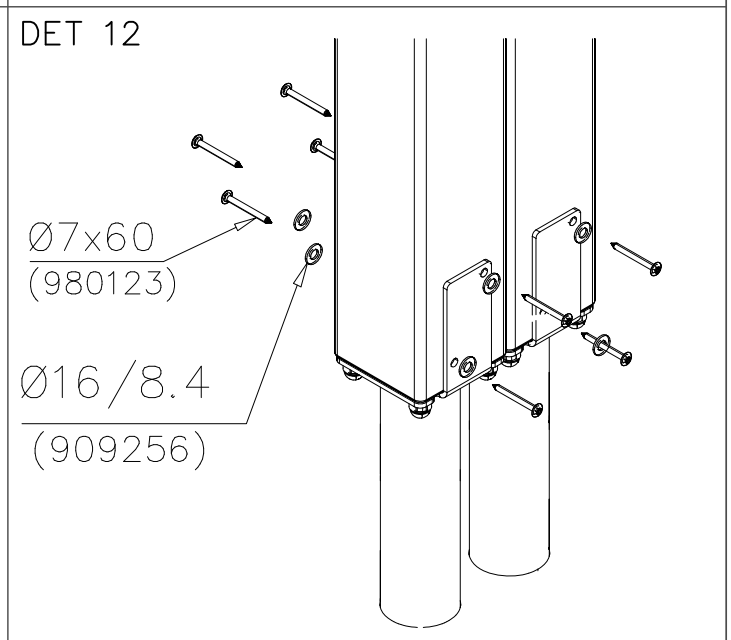
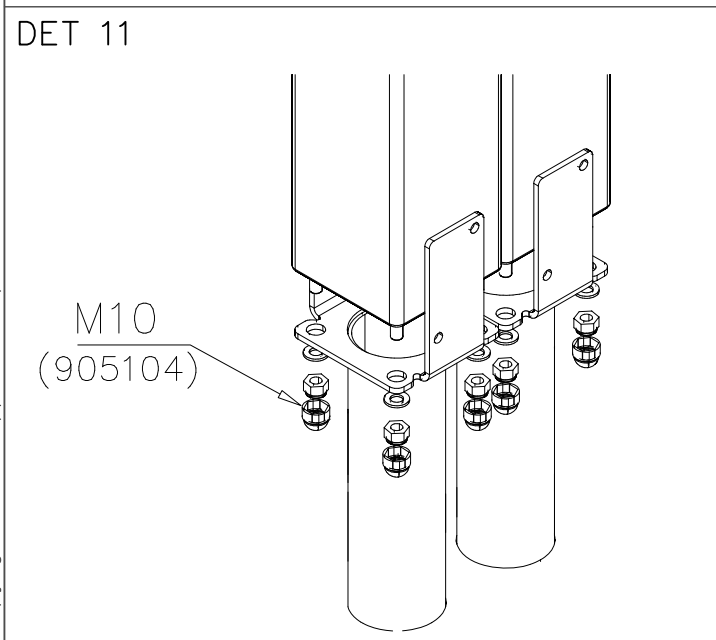
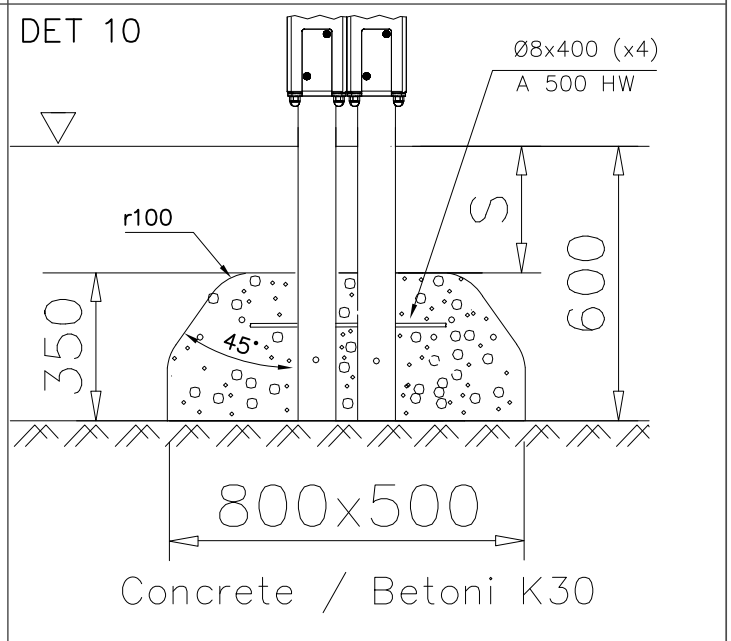
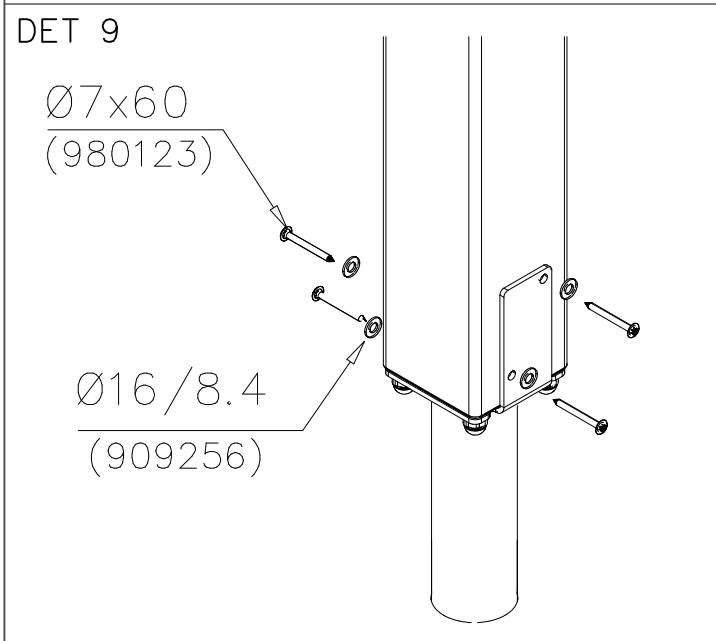
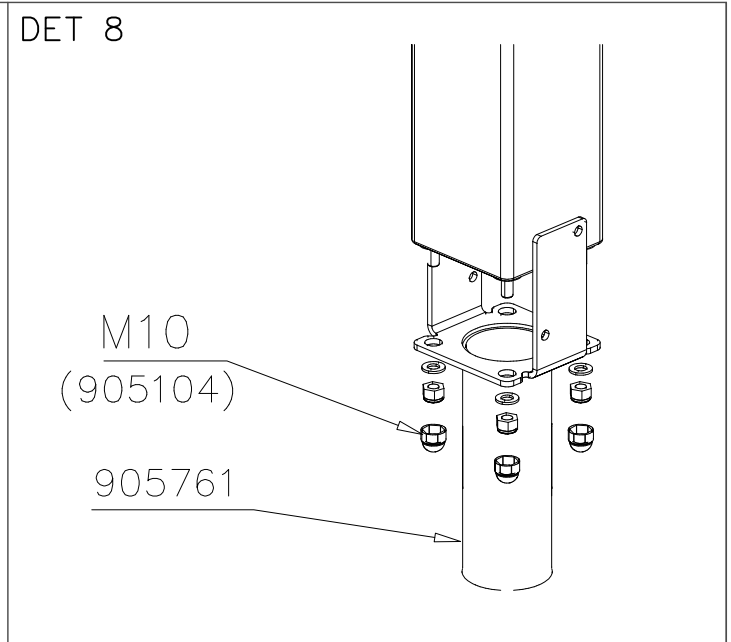
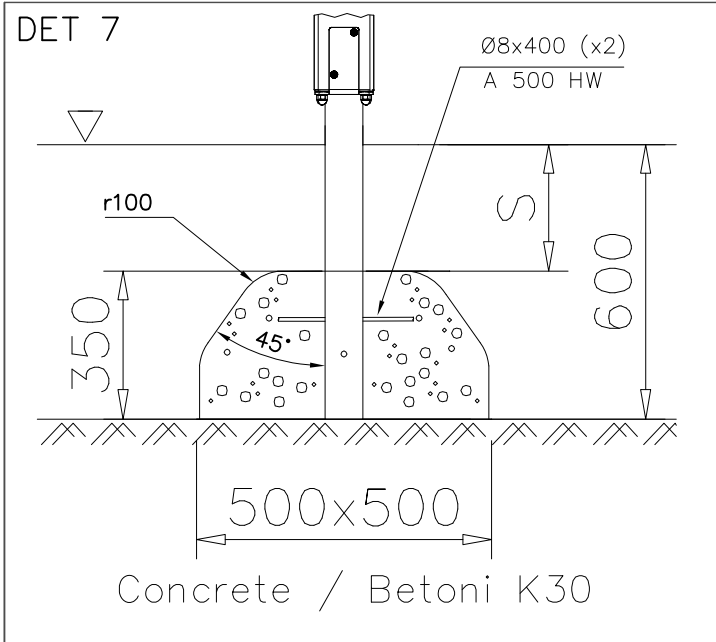
DET 4



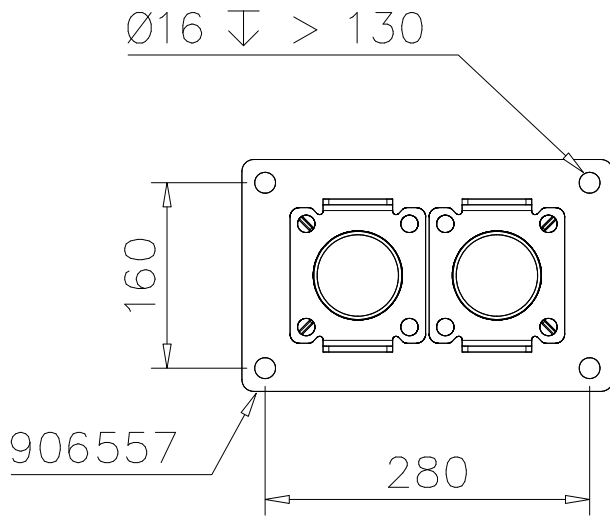
DET 5



DET 6



DET 13



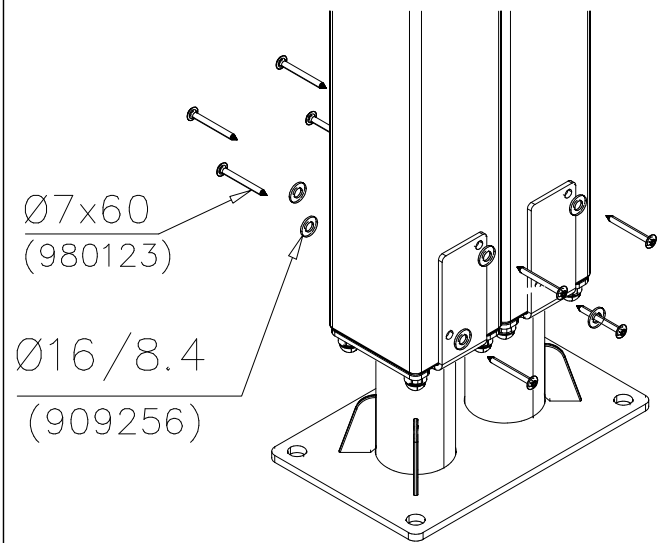
DET 14



DET 15

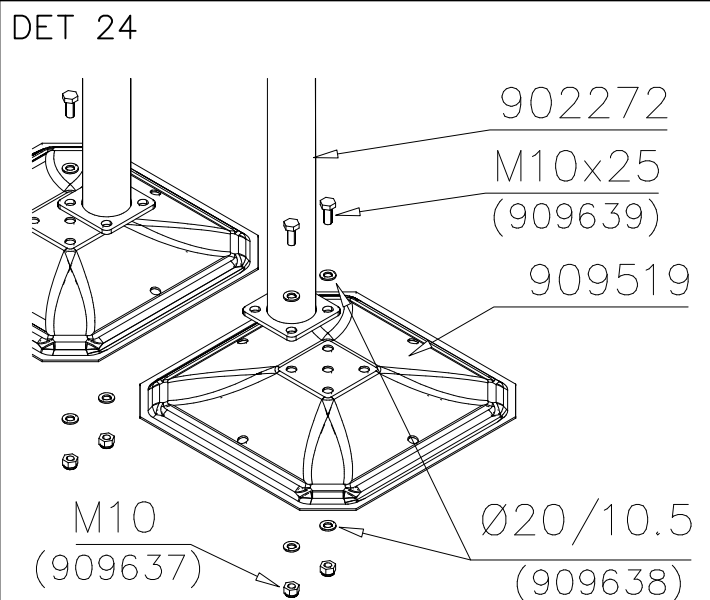
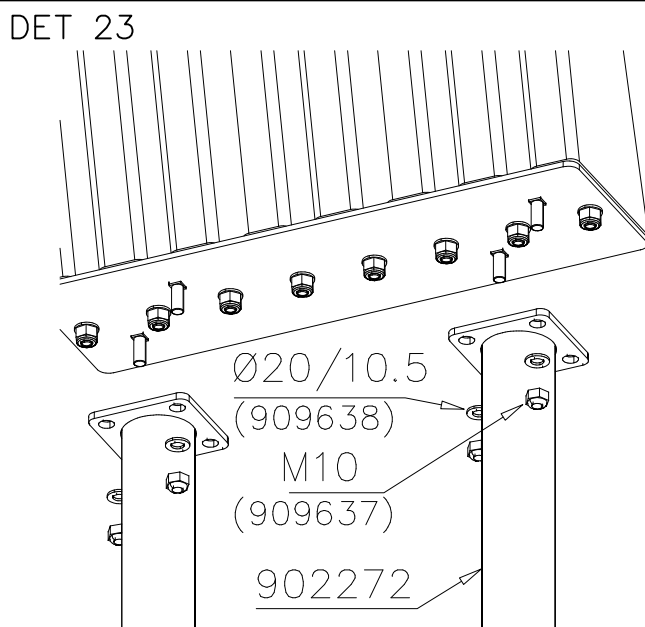
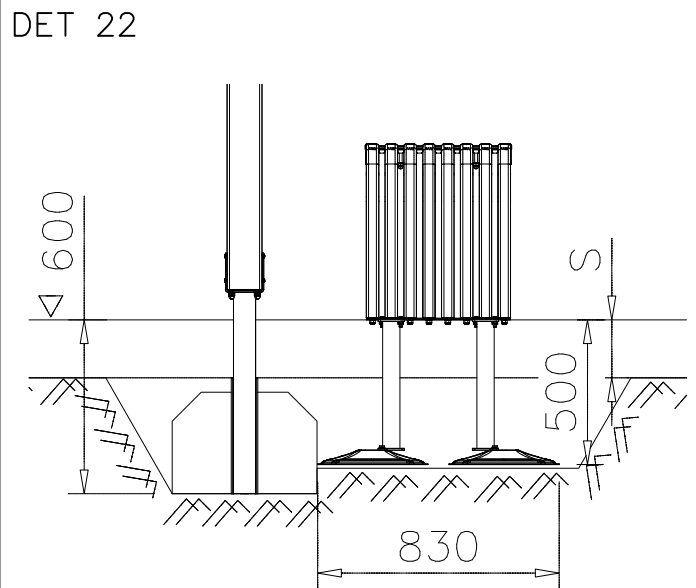
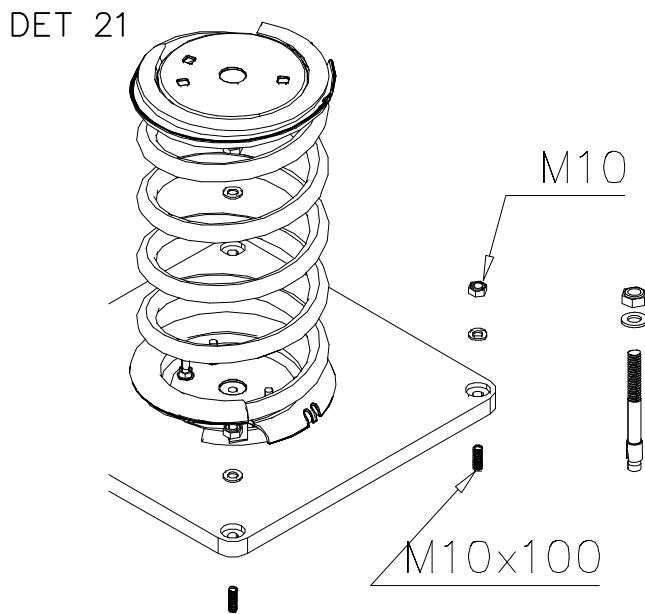
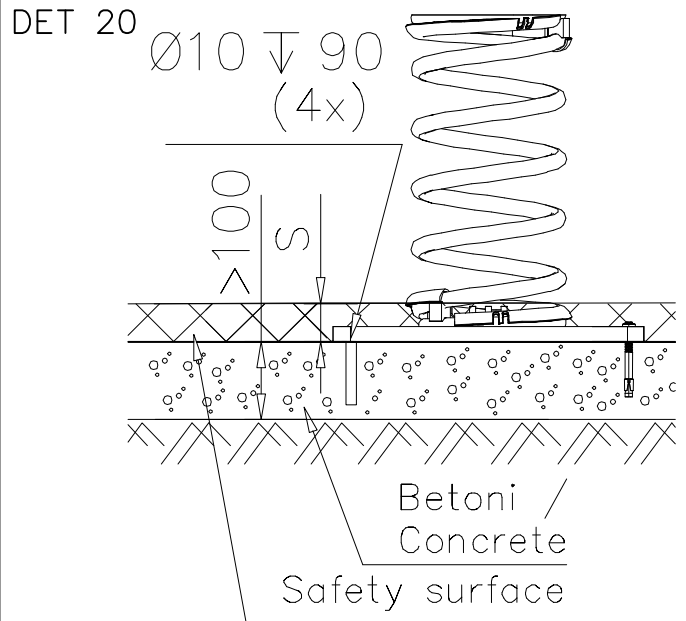
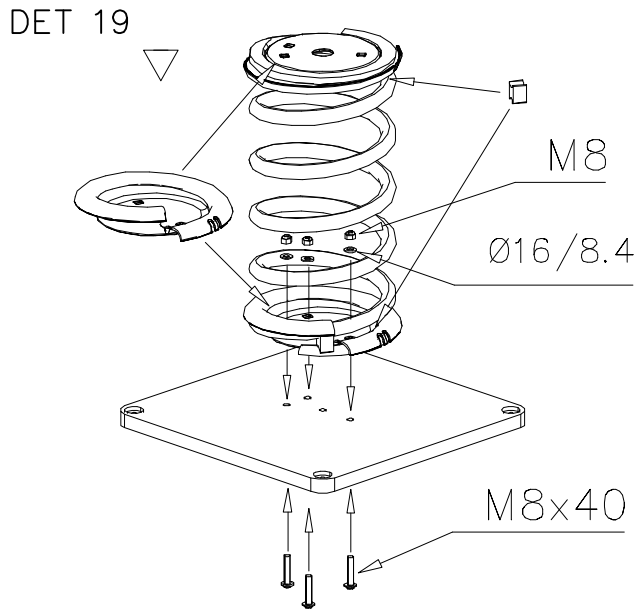


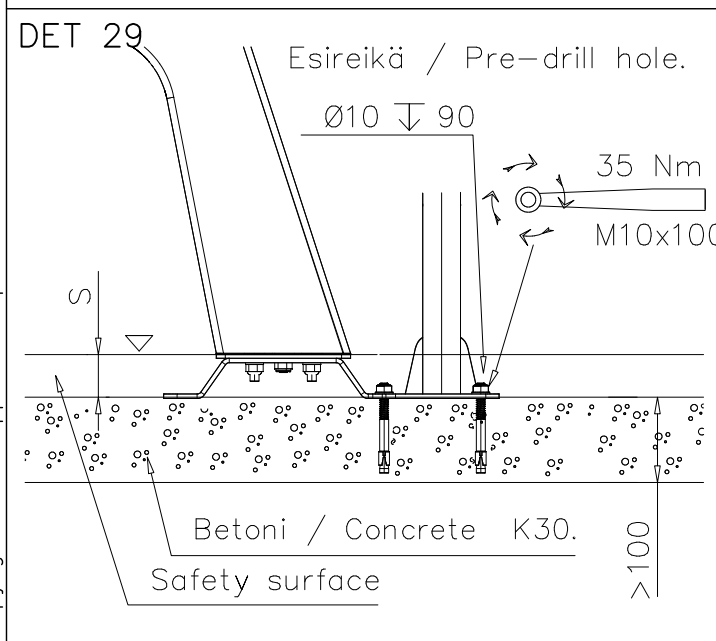
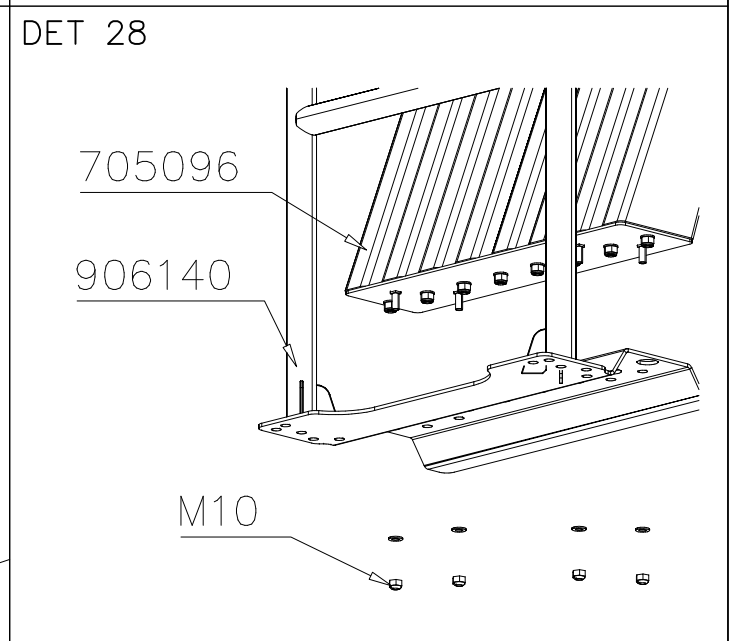
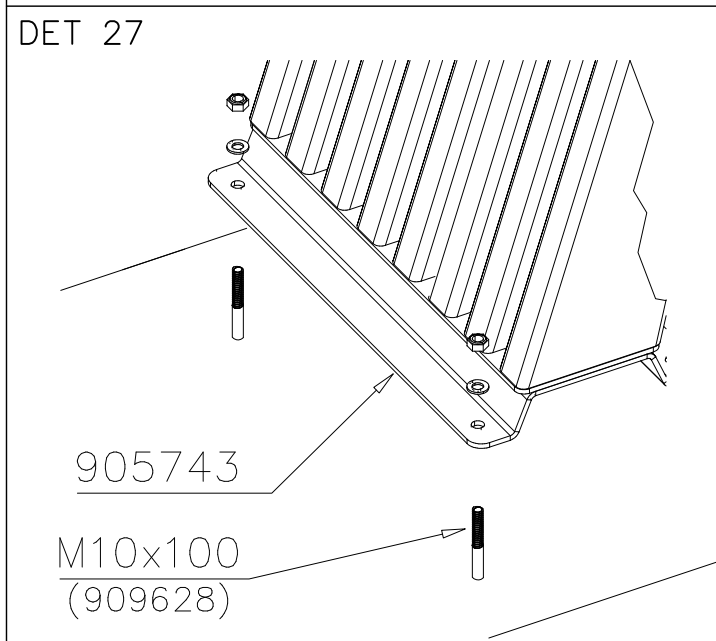
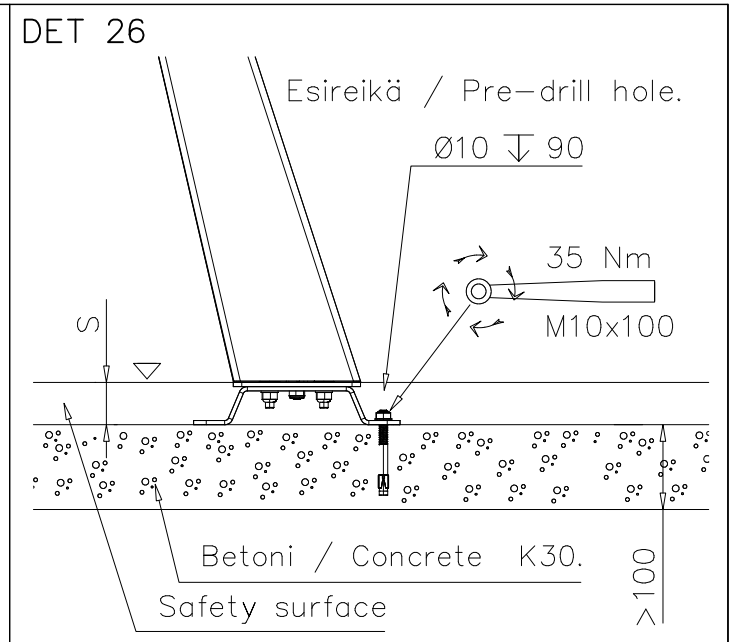
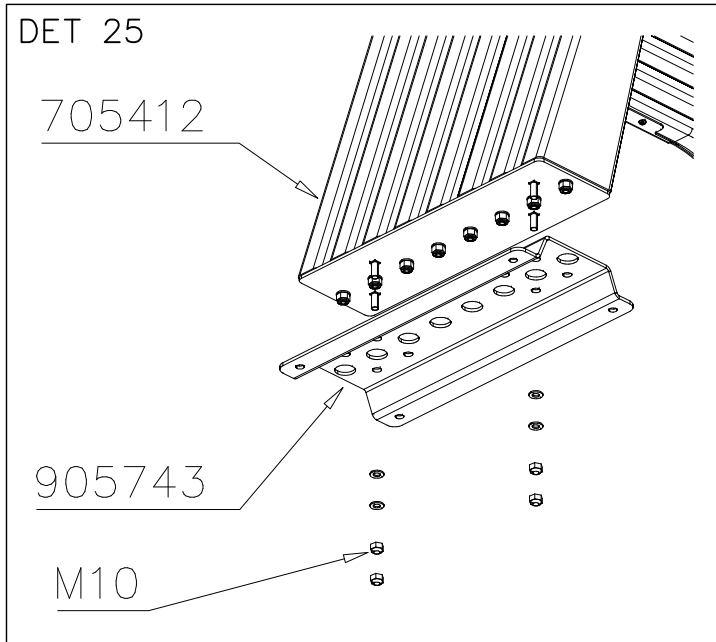
DET 16



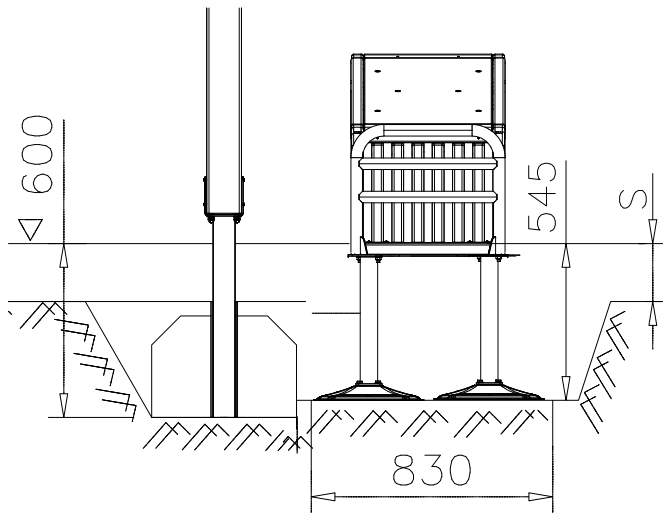
DET 17

DET 18

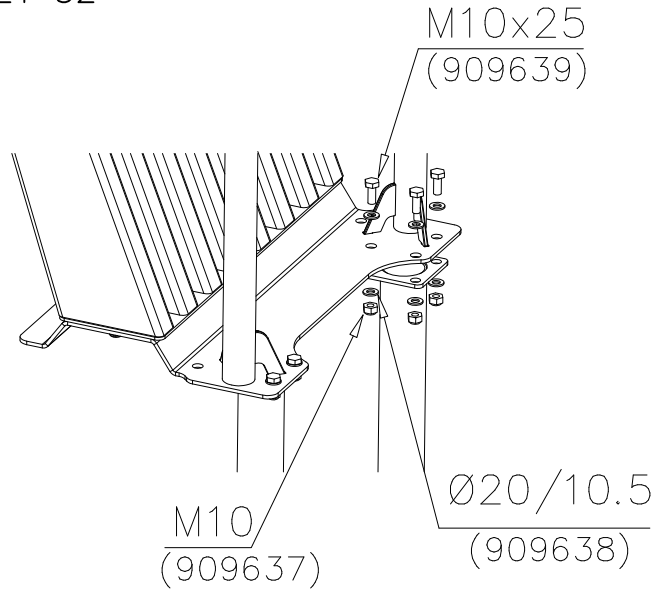




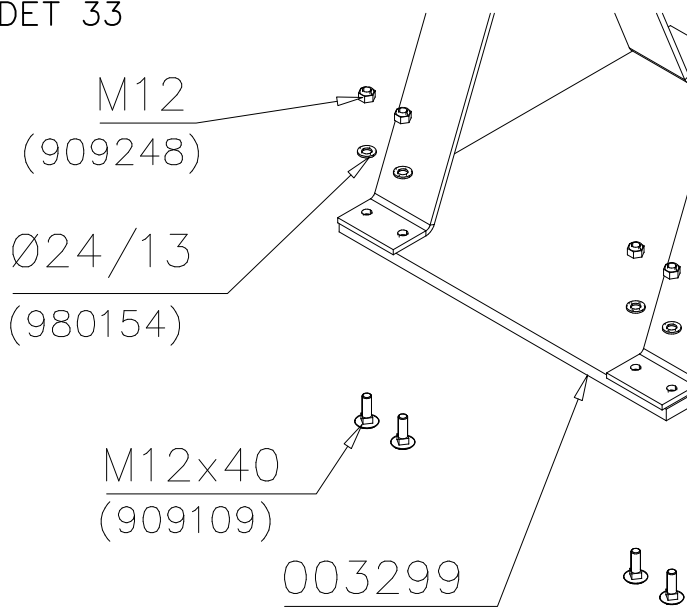
DET 31



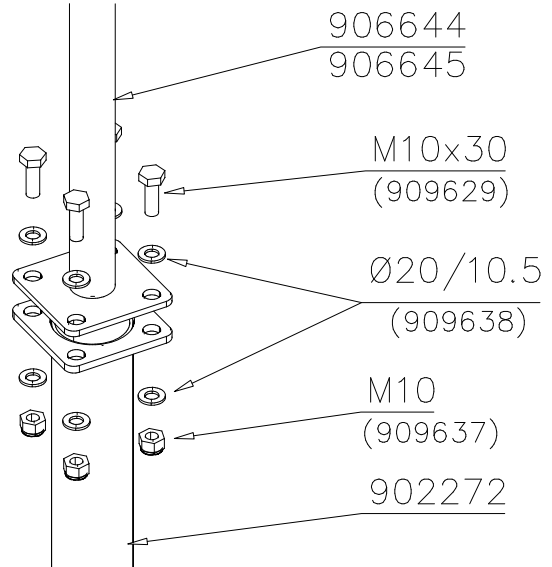
DET 32



DET 33



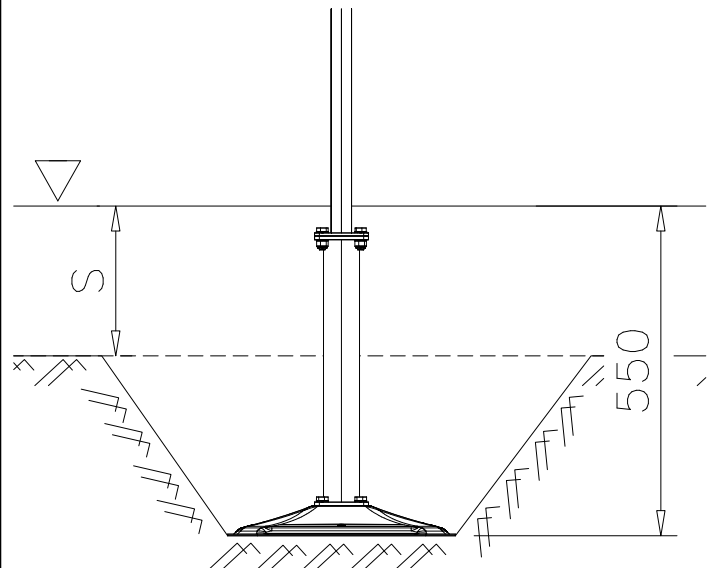
DET 34



DET 35



DET 36



DET 37



DET 38



DET 39



DET 40



DET 41



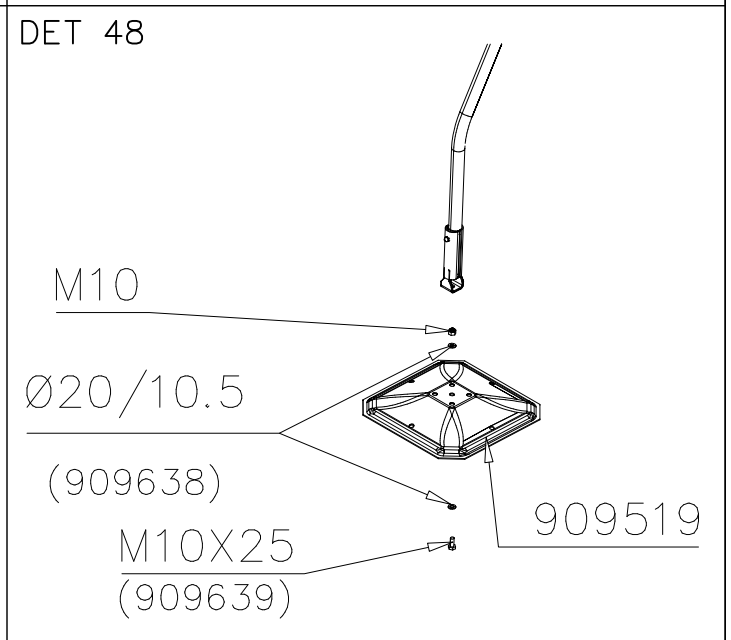
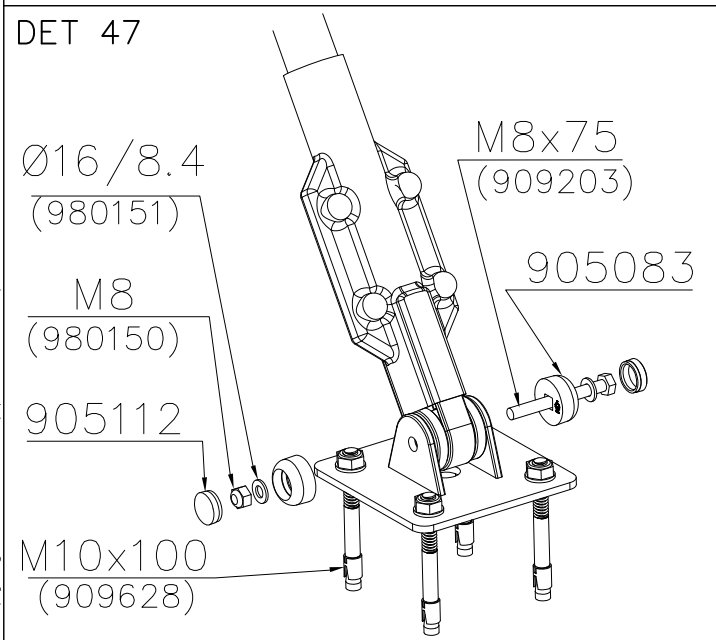
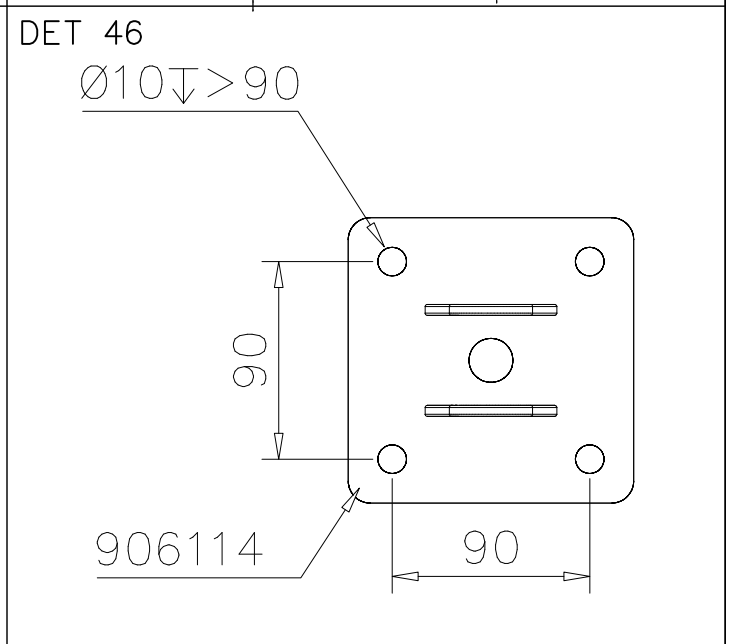
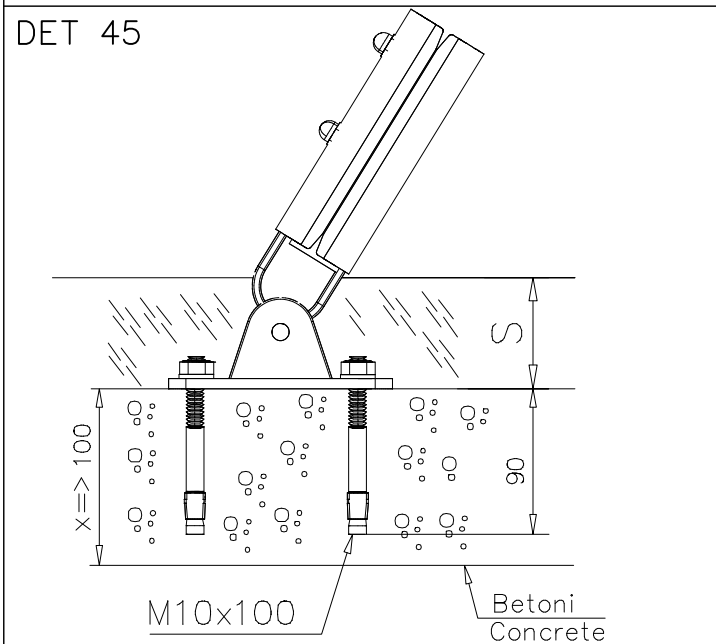
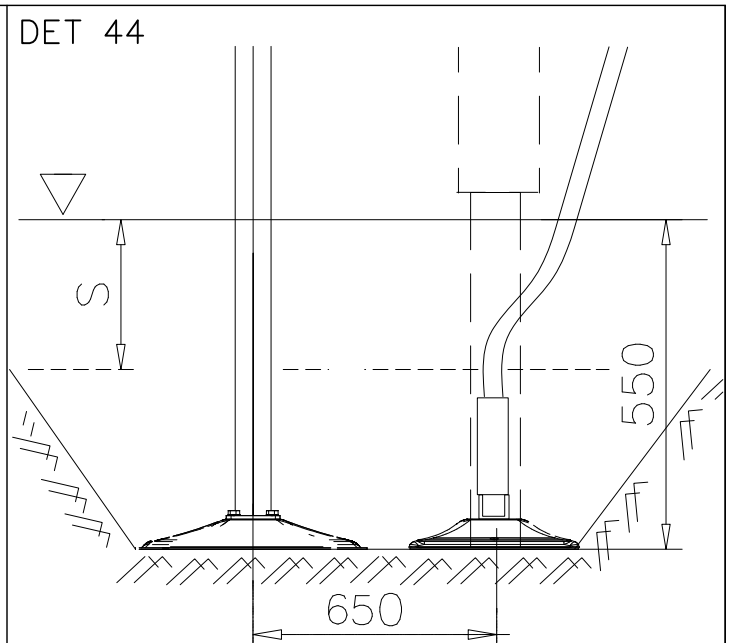
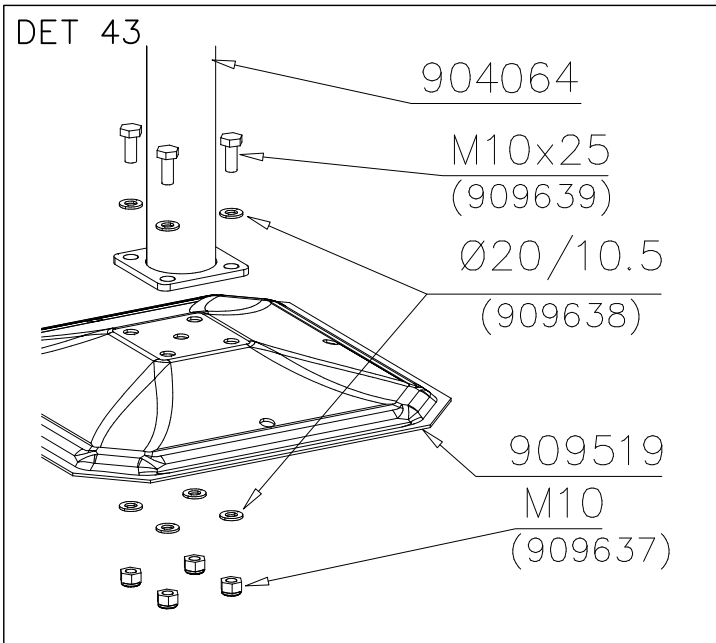
DET 42

LAPPSET SPORT

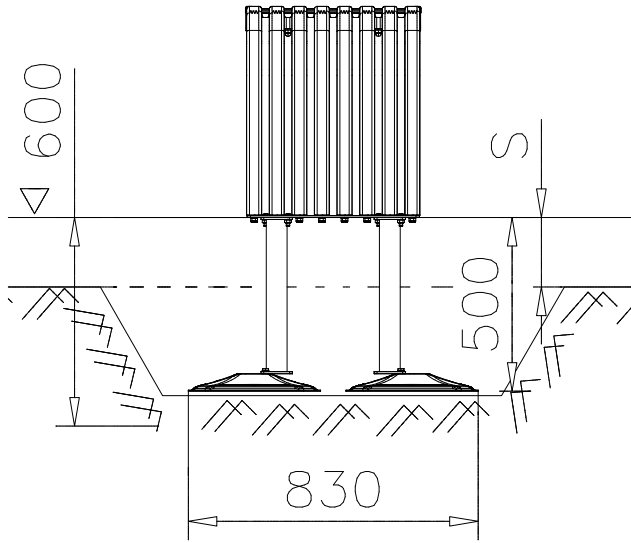
BASE

DATE: 15.8.2017

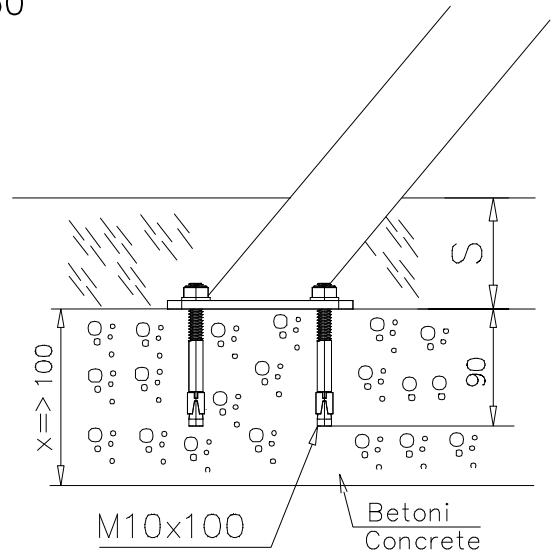
8(10)



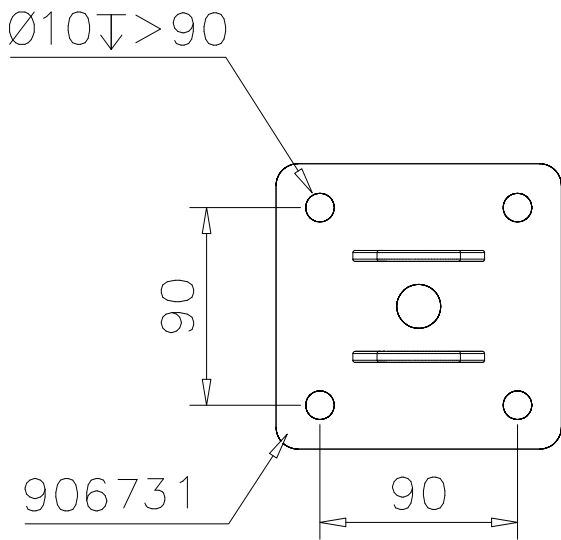
DET 49



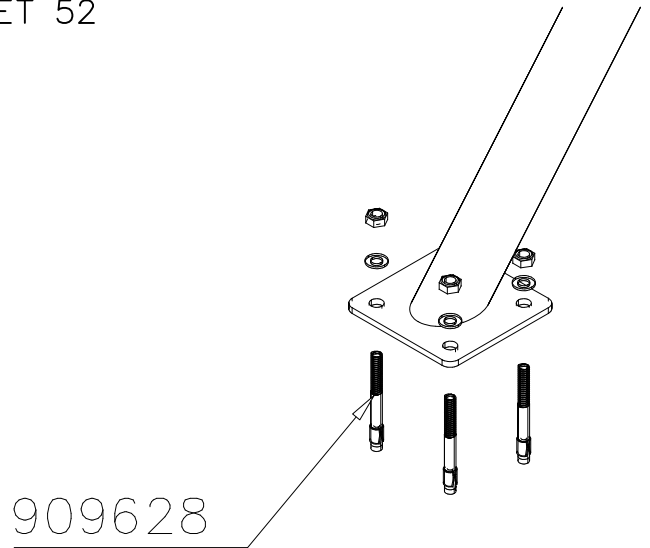
DET 50



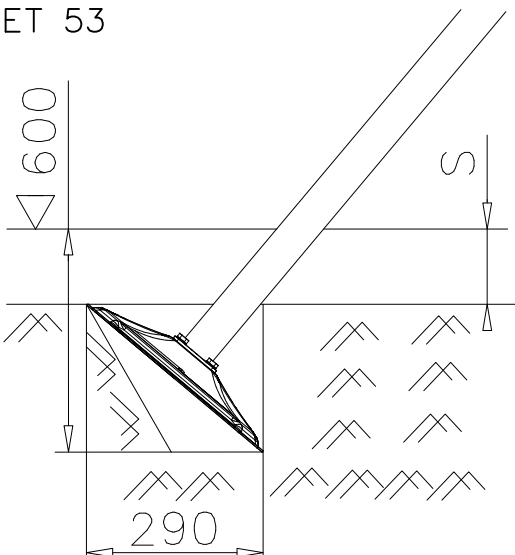
DET 51



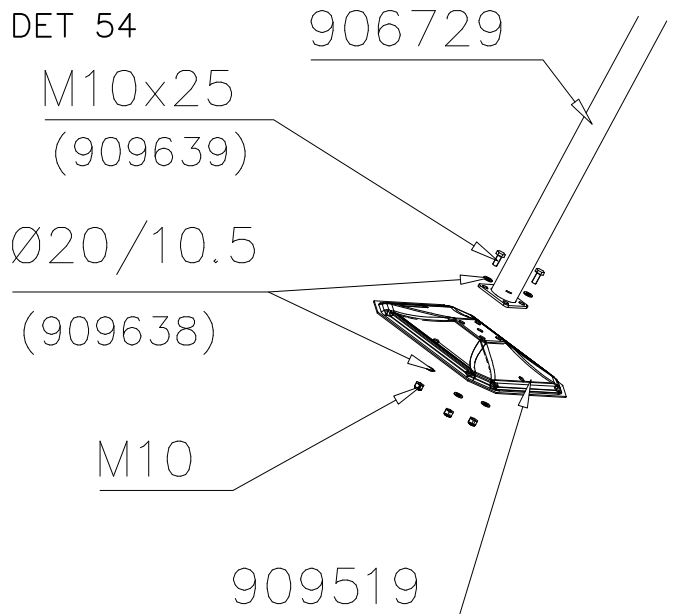
DET 52



DET 53

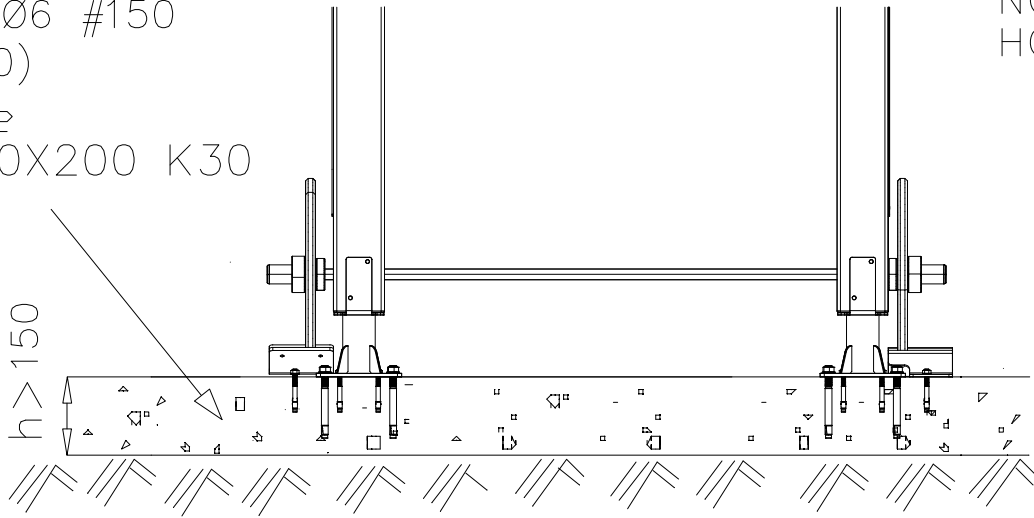


DET 54



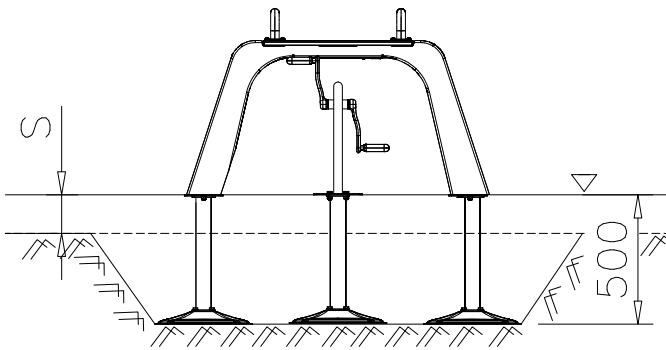
DET 55

STEELNET Ø6 #150
(1400x2100)
Concrete
1500X2200X200 K30

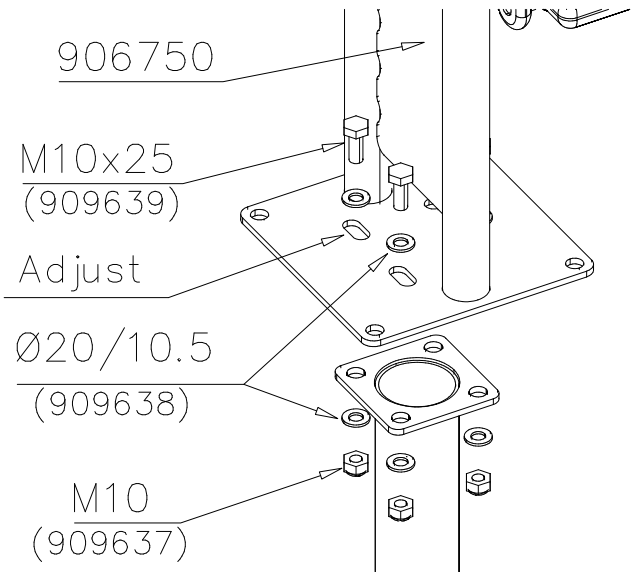


NOTE!
HOX!

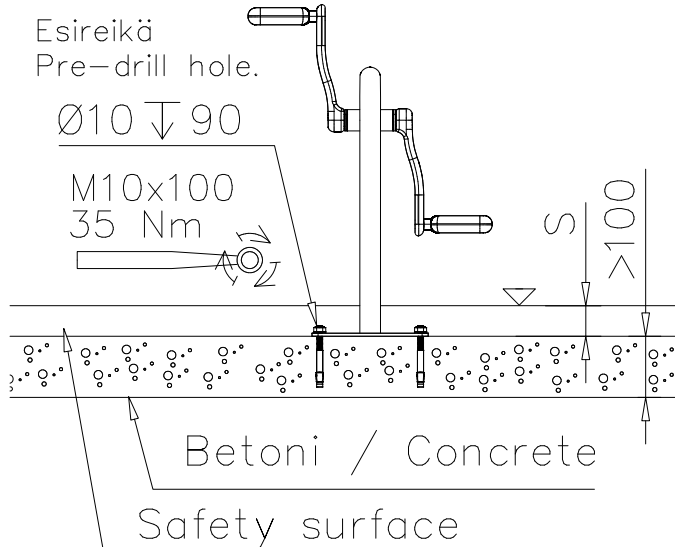
DET 56



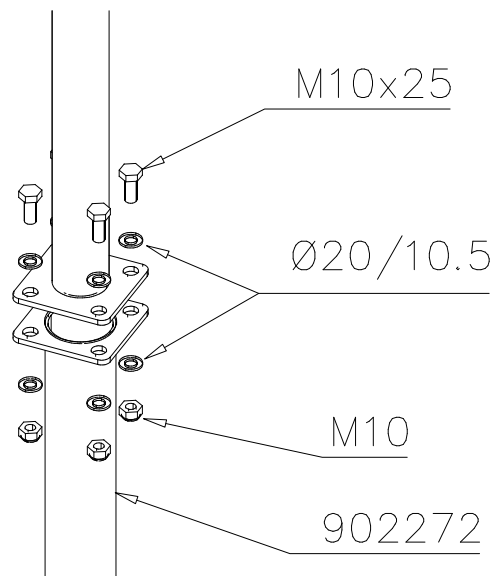
DET 57



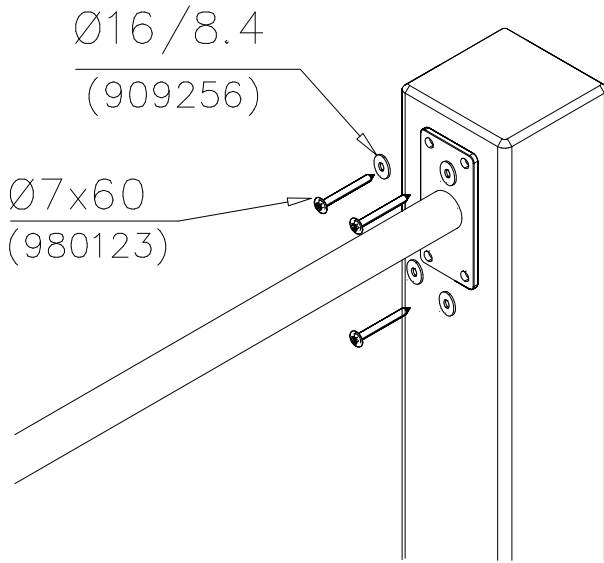
DET 58



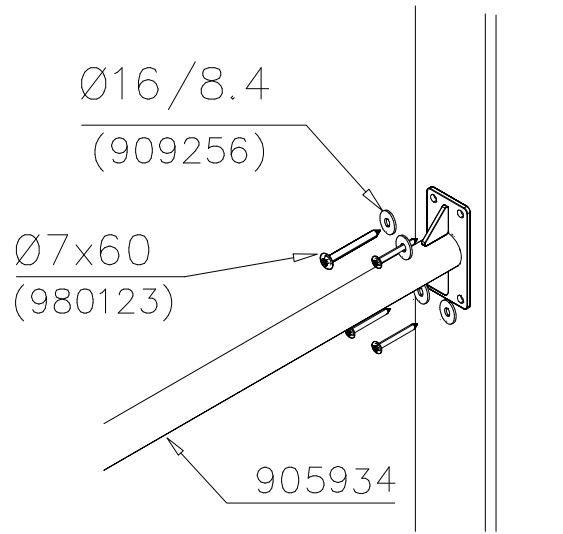
DET 59



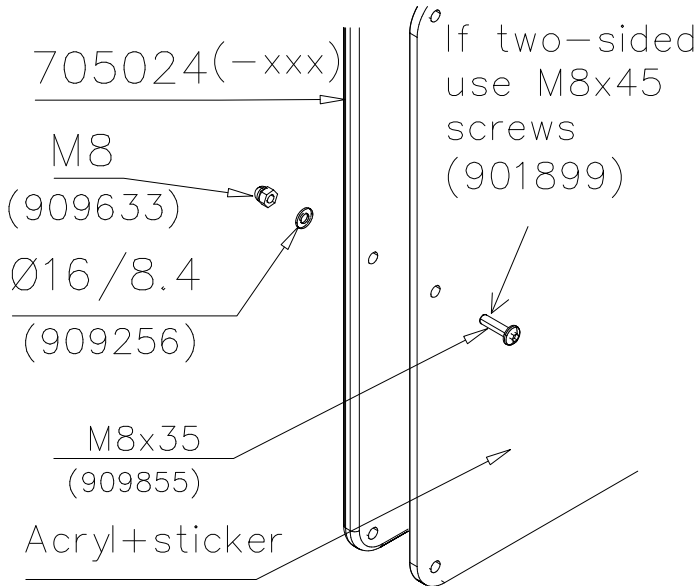
DET 1



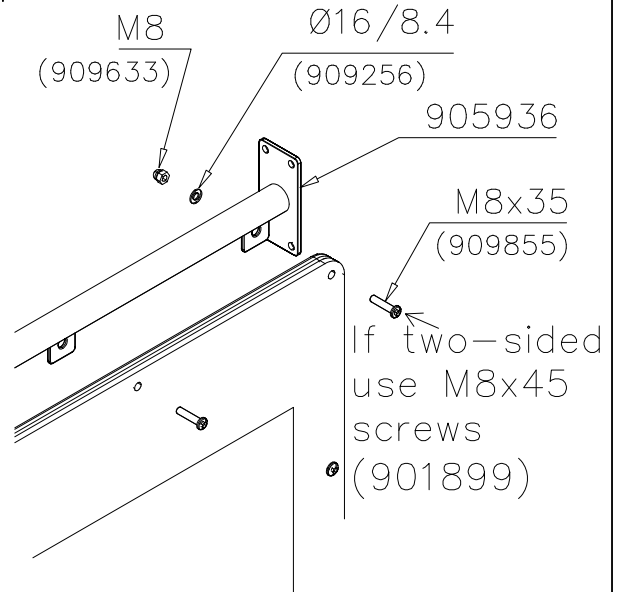
DET 2



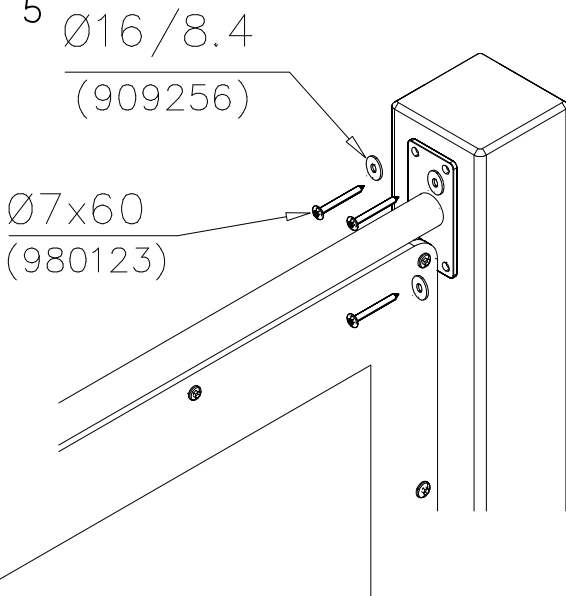
DET 3



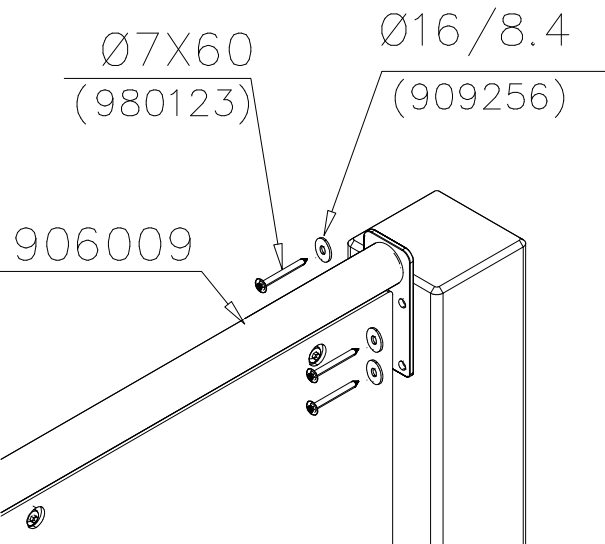
DET 4

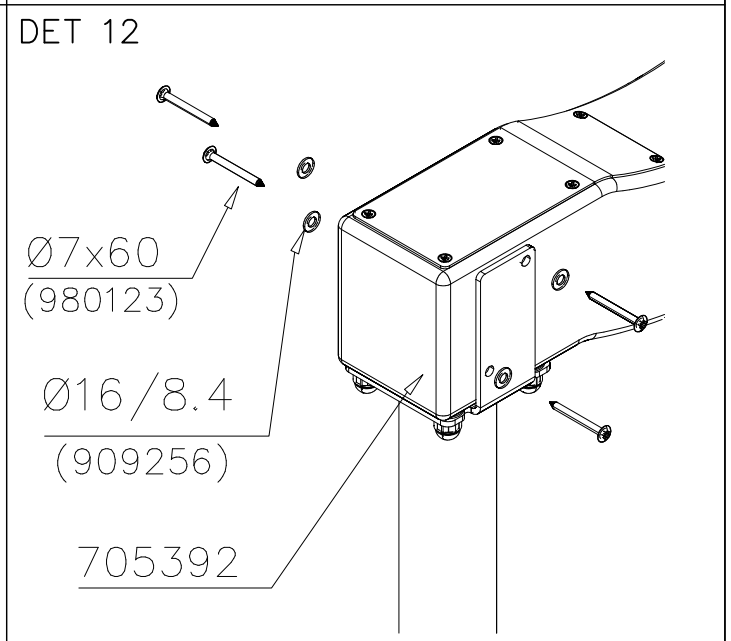
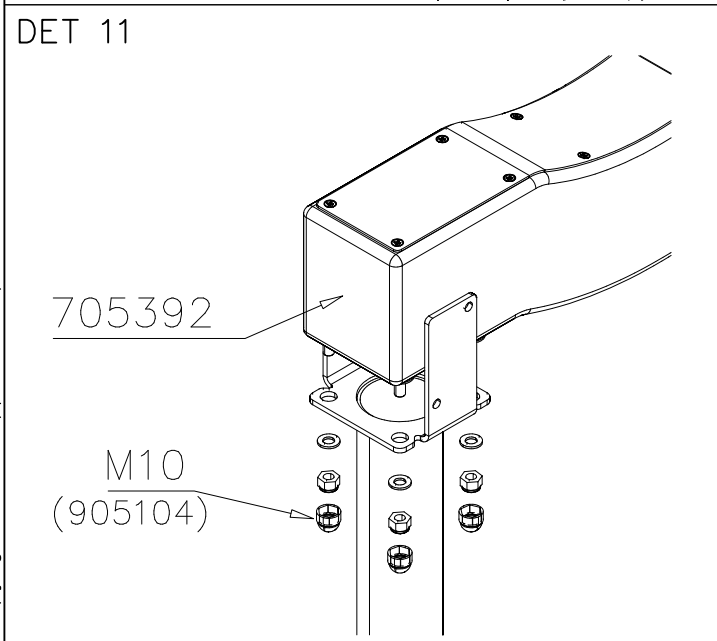
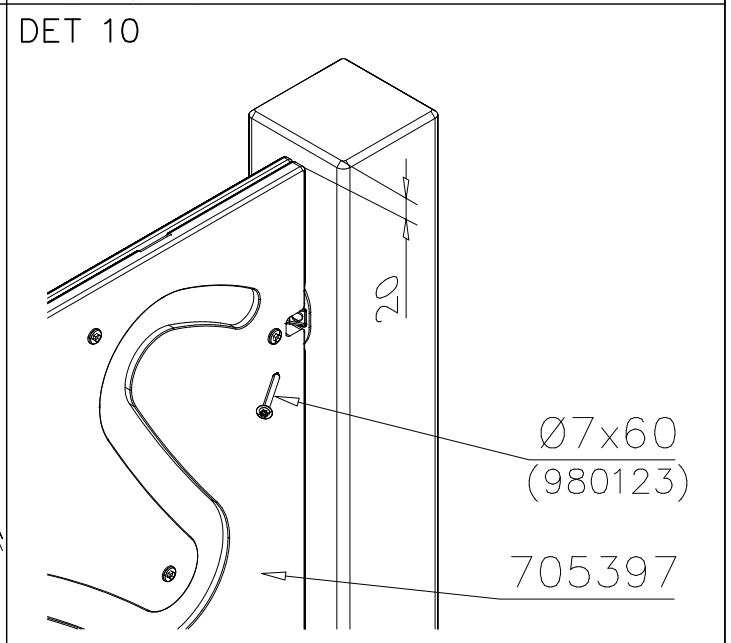
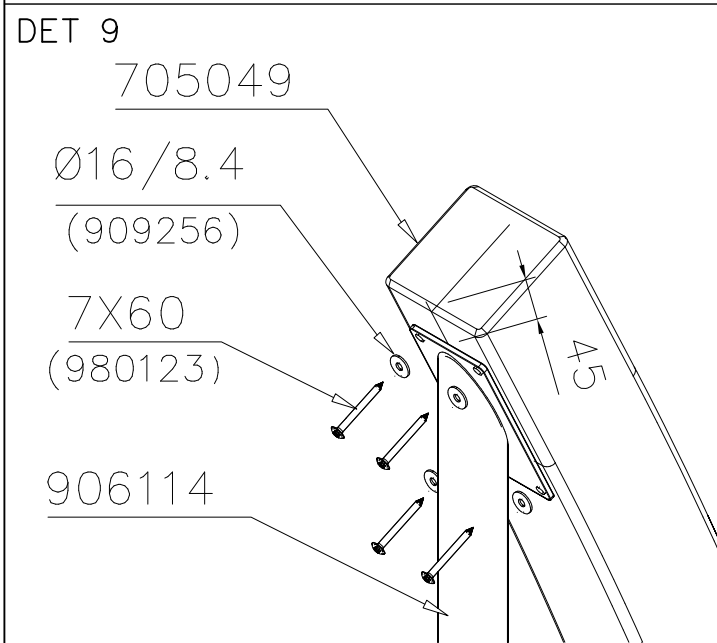
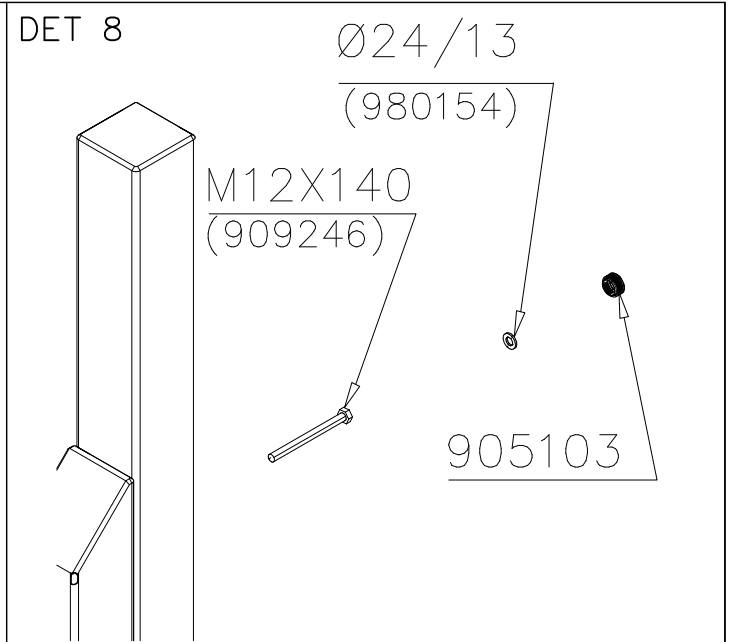
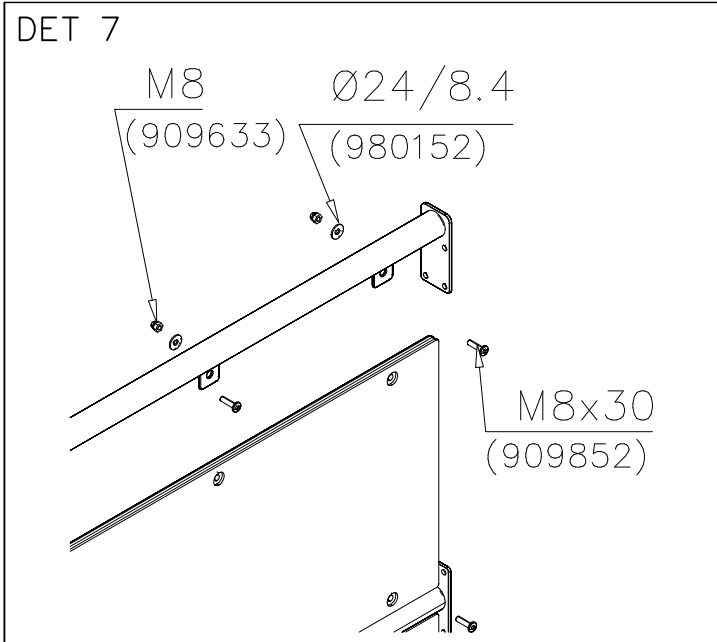


DET 5

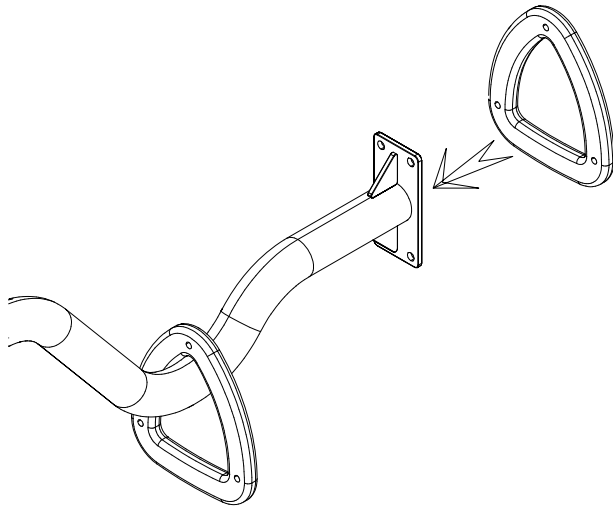


DET 6

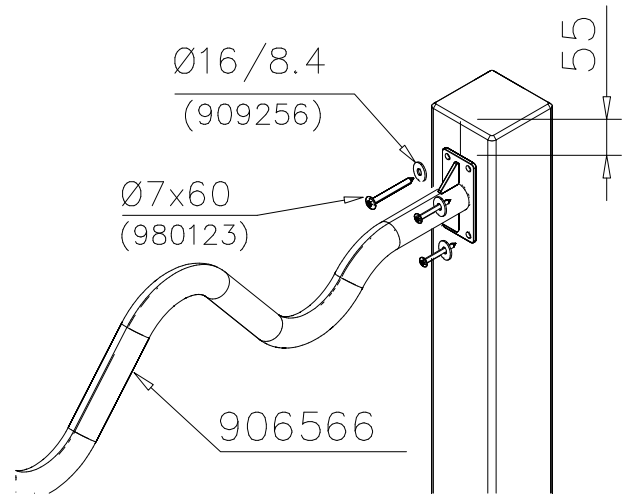




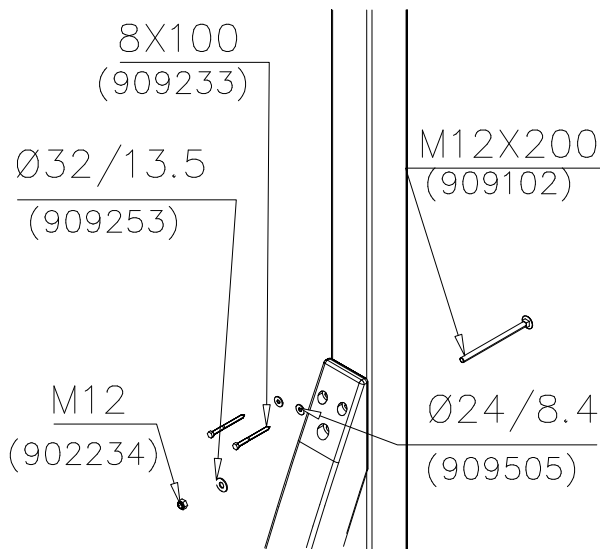
DET 13



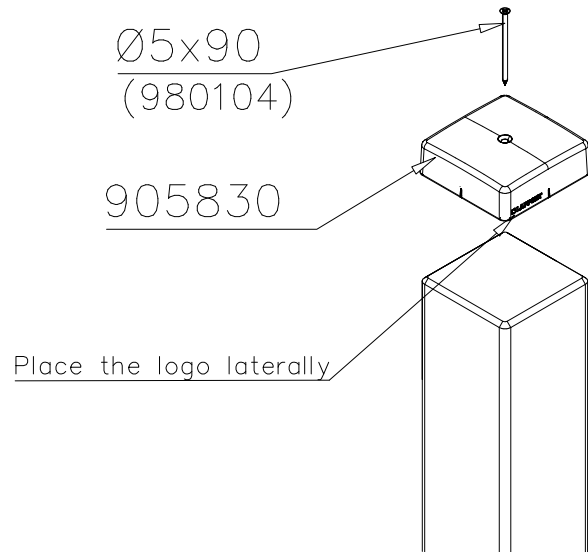
DET 14



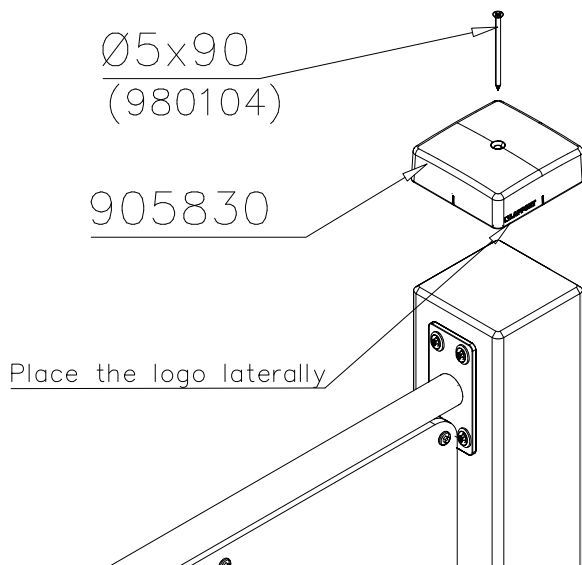
DET 15



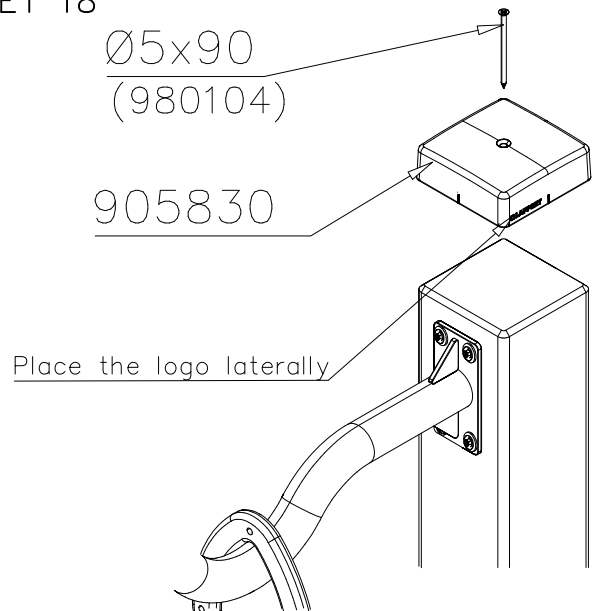
DET 16



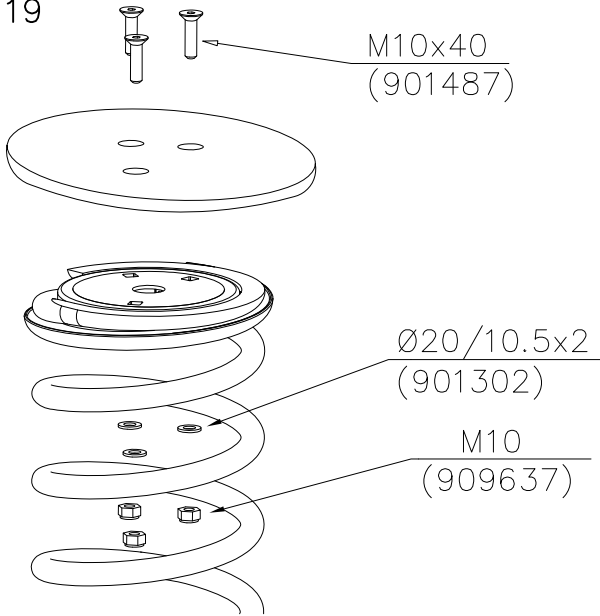
DET 17



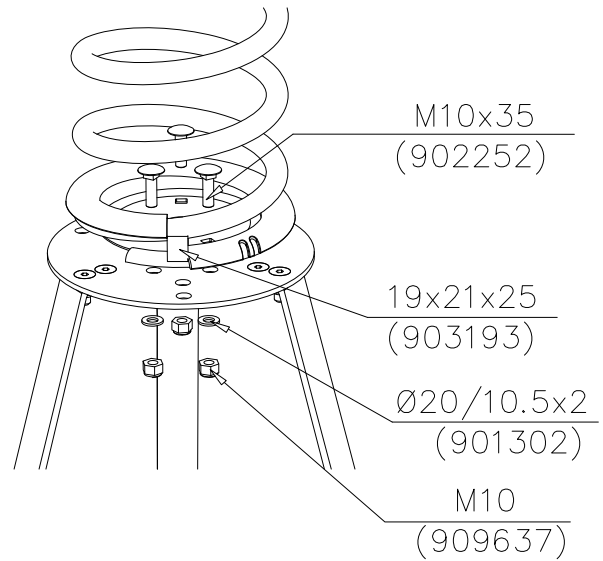
DET 18



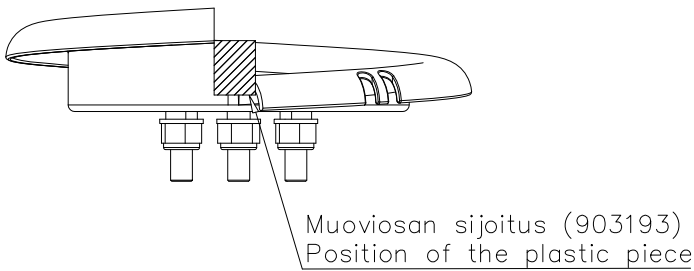
DET 19



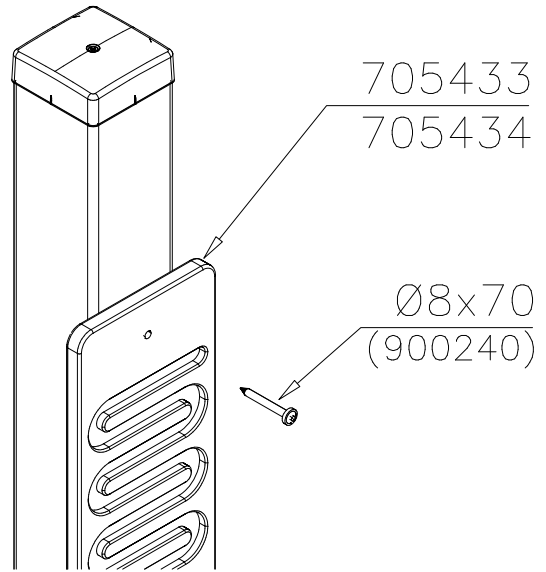
DET 20



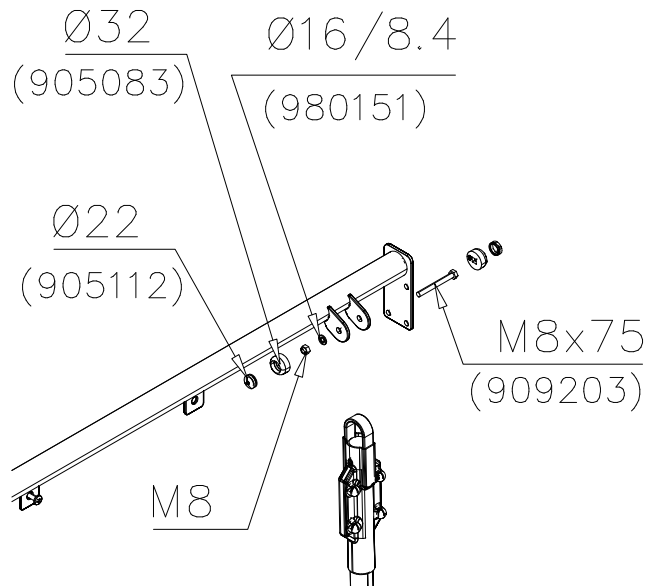
DET 21



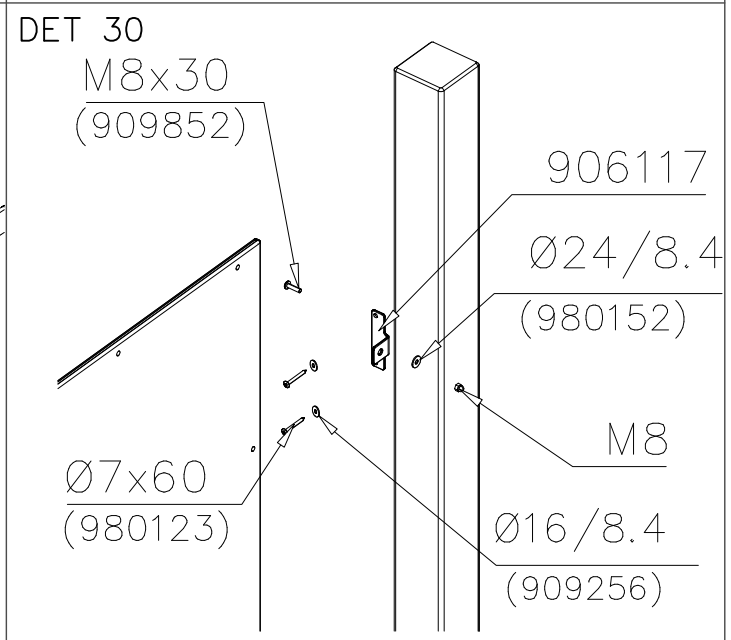
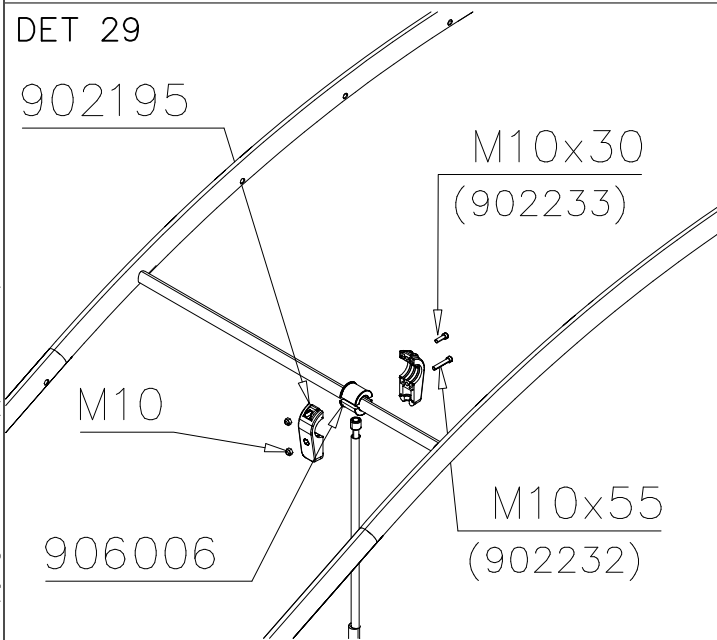
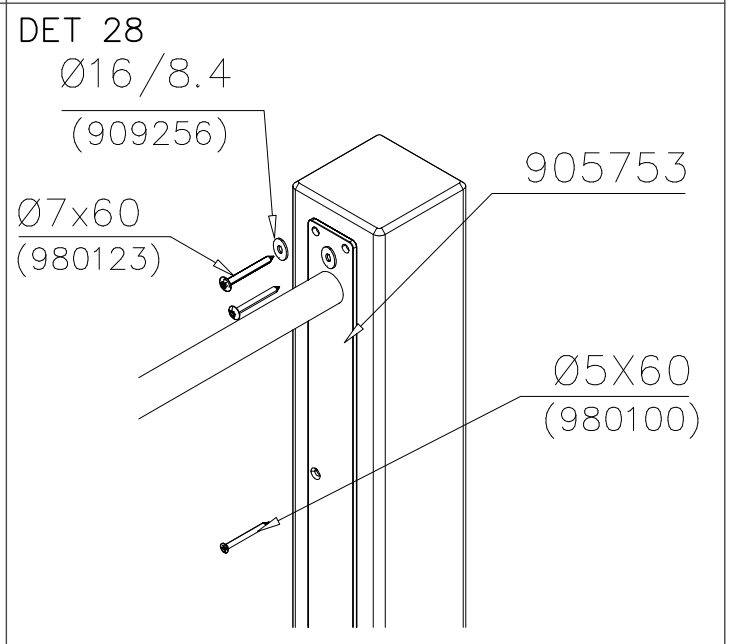
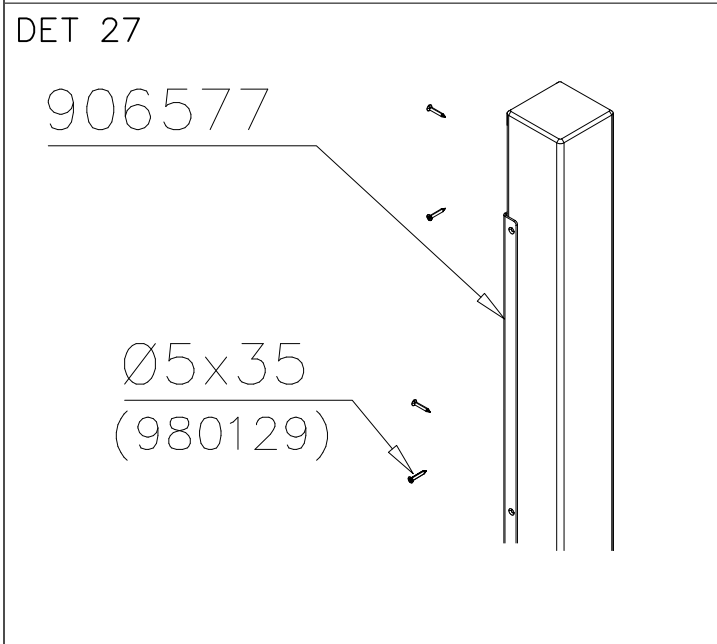
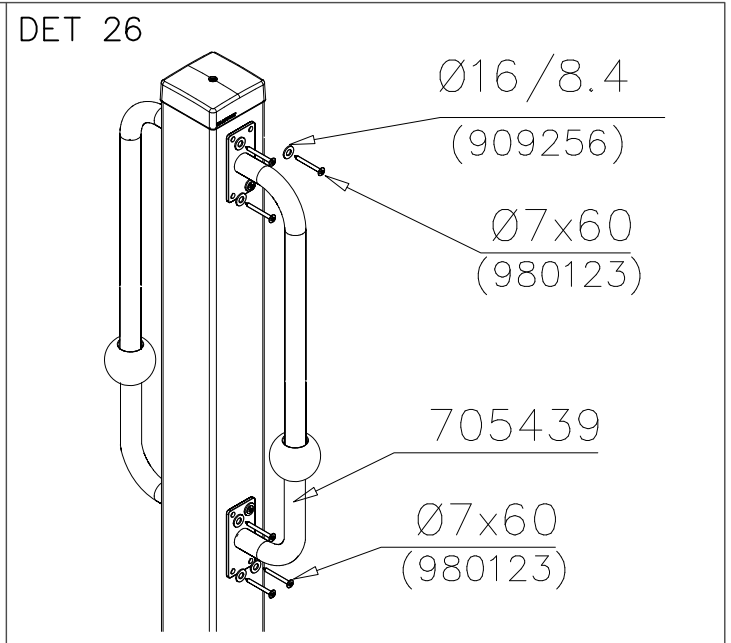
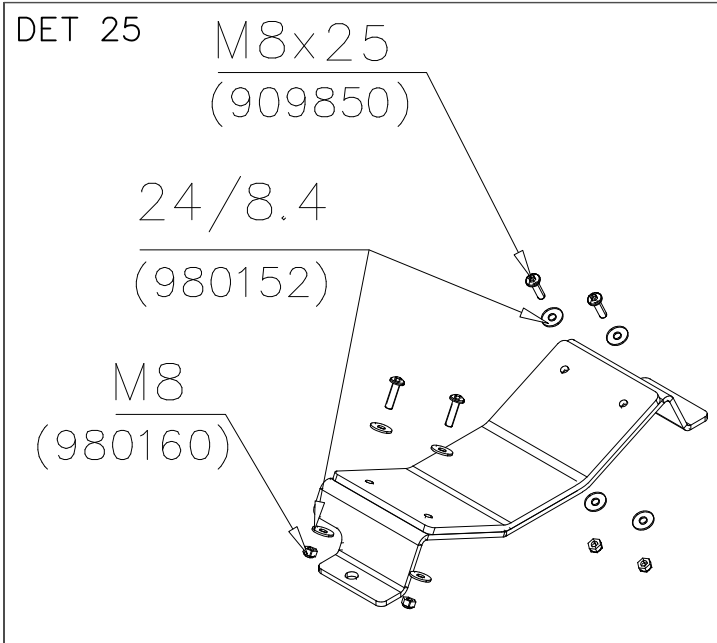
DET 22



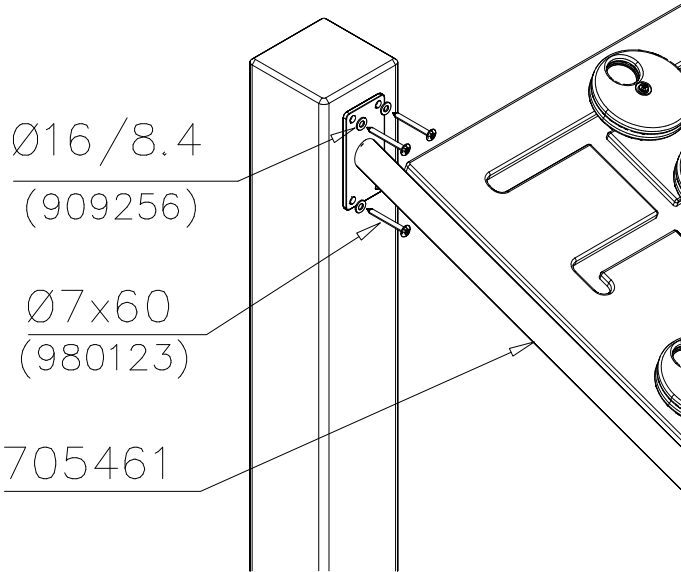
DET 23



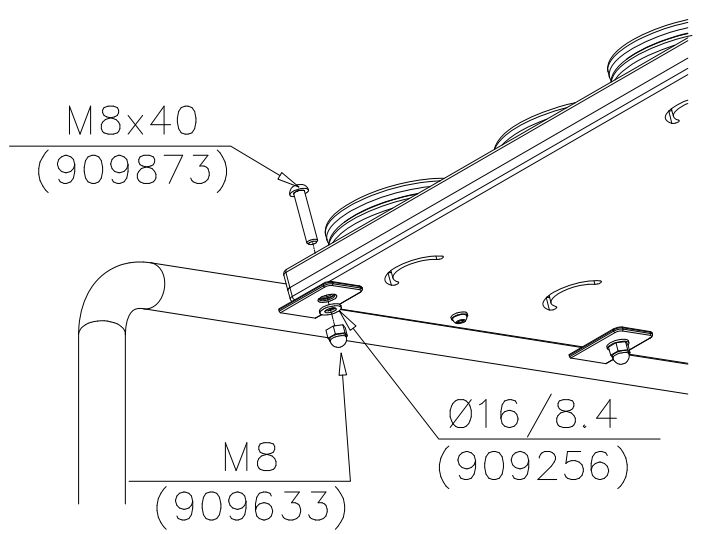
DET 24



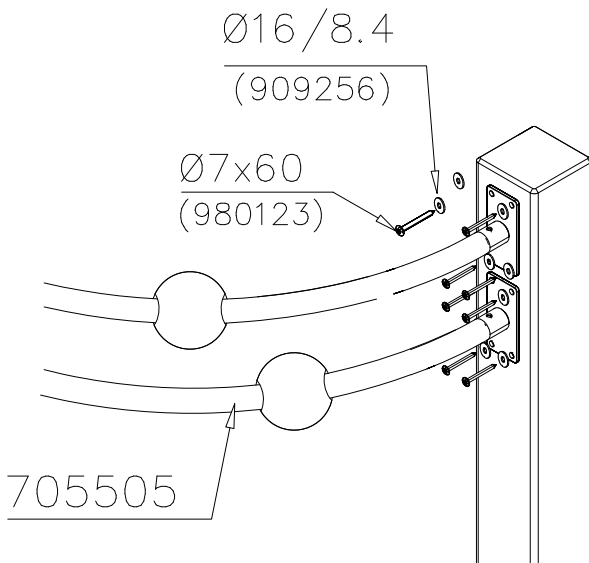
DET 31



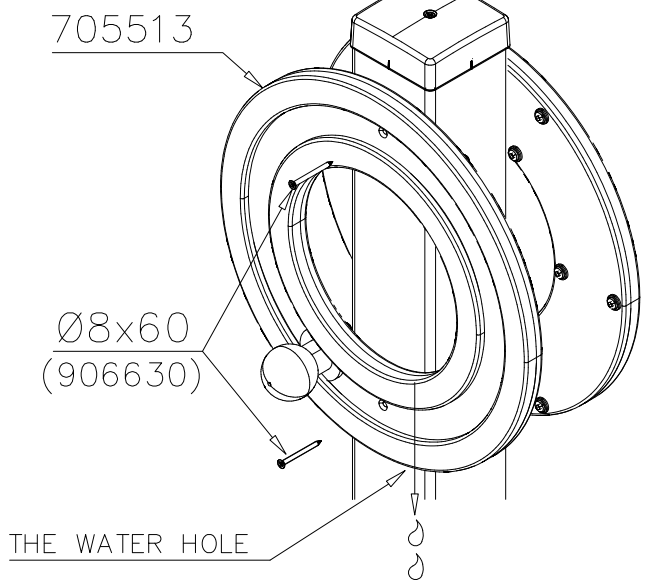
DET 32



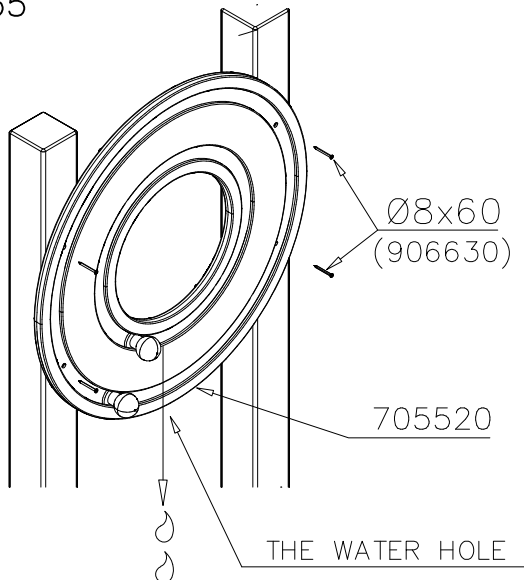
DET 33



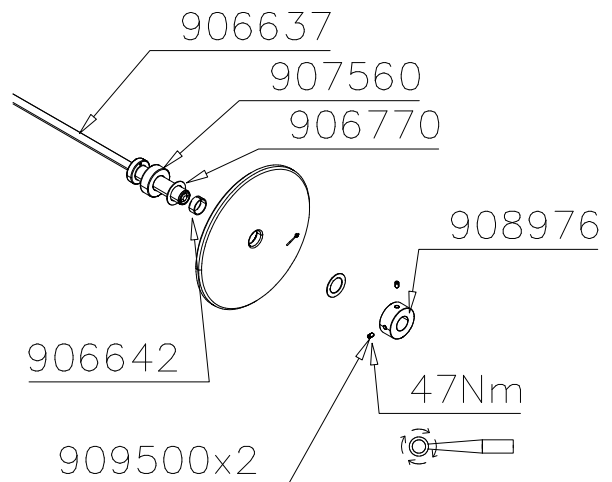
DET 34



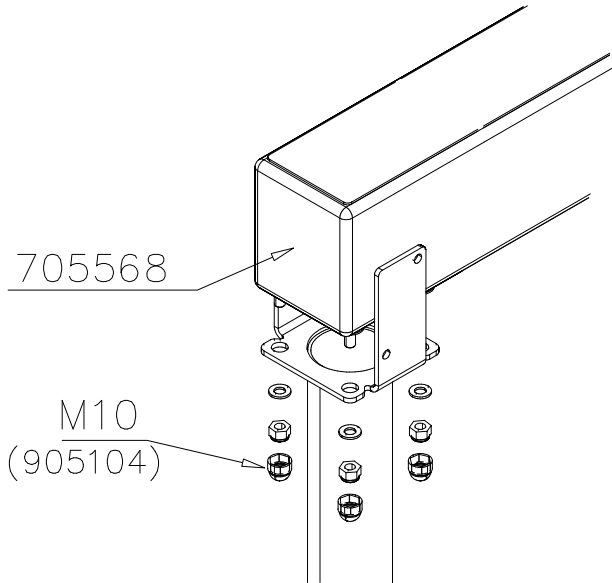
DET 35



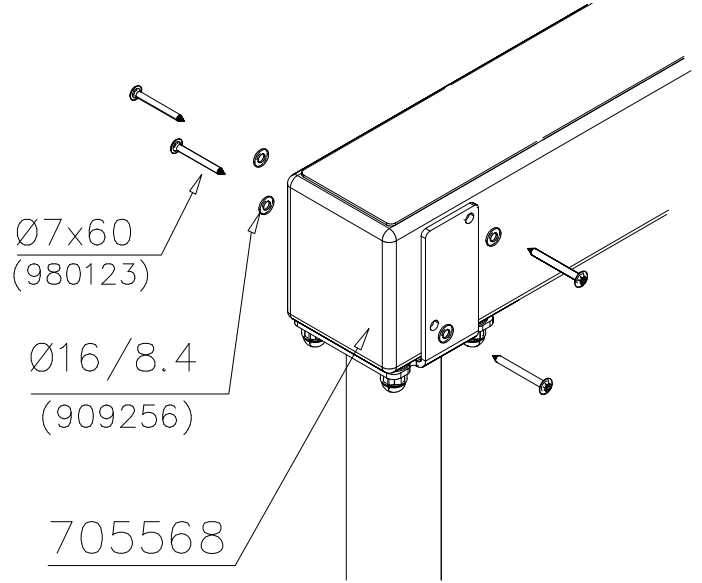
DET 36



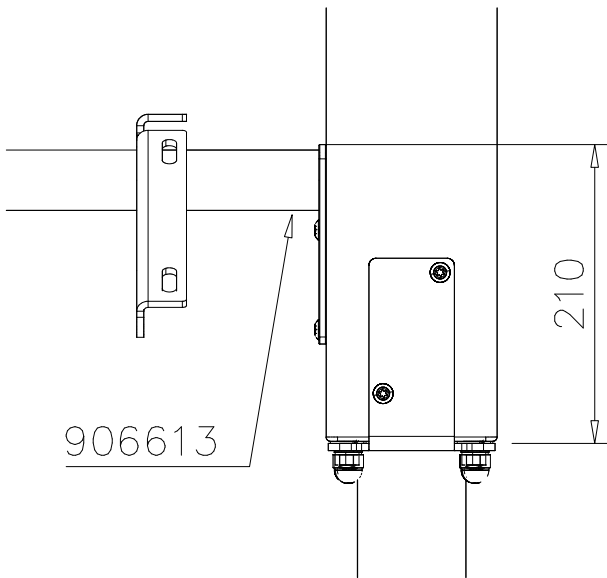
DET 37



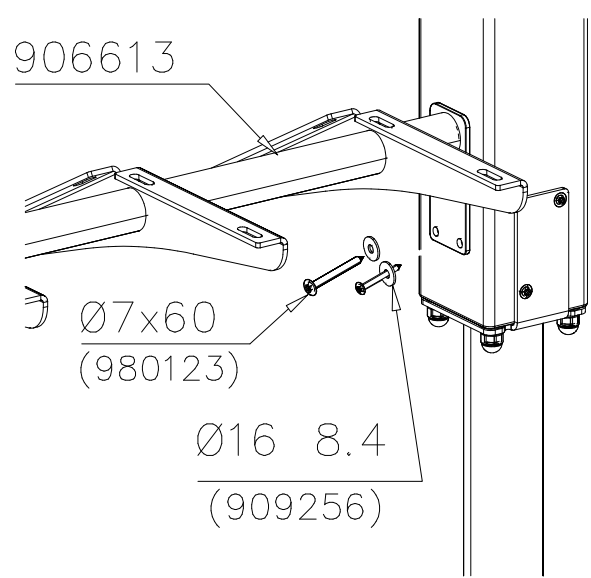
DET 38



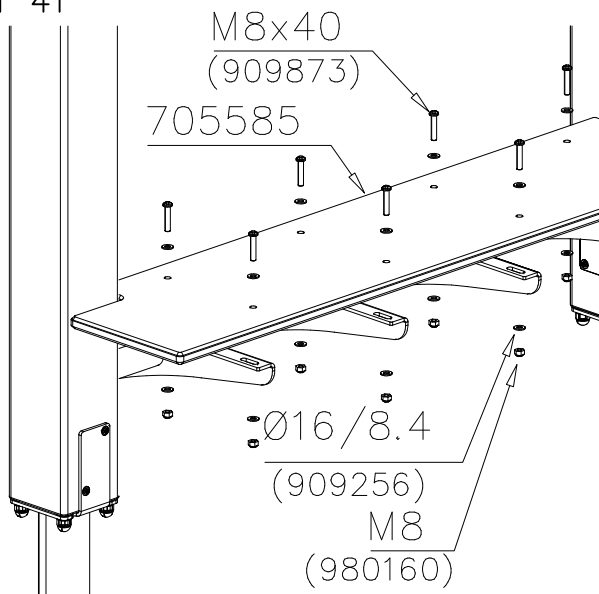
DET 39



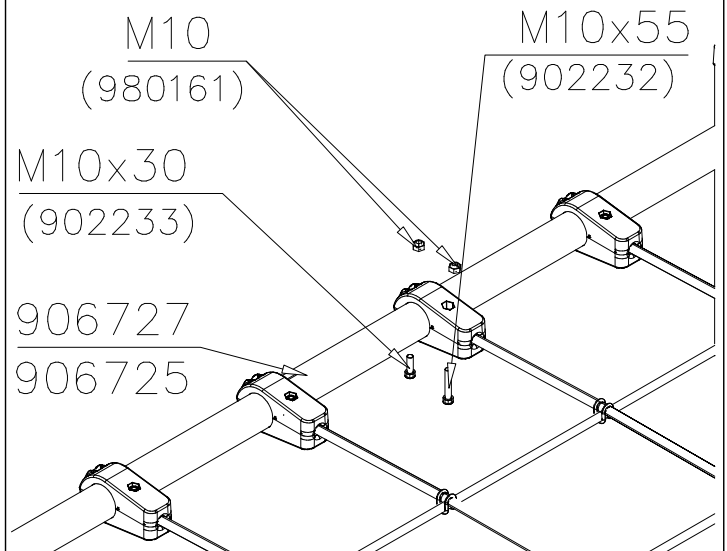
DET 40

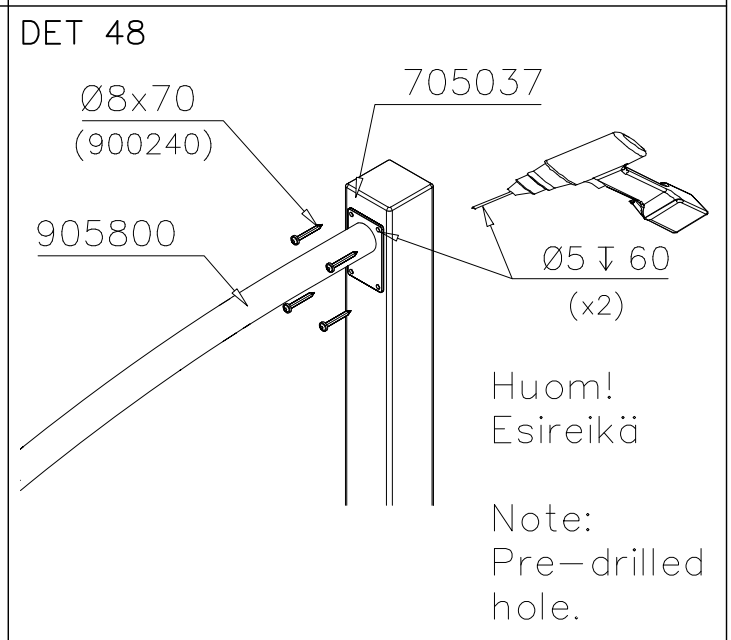
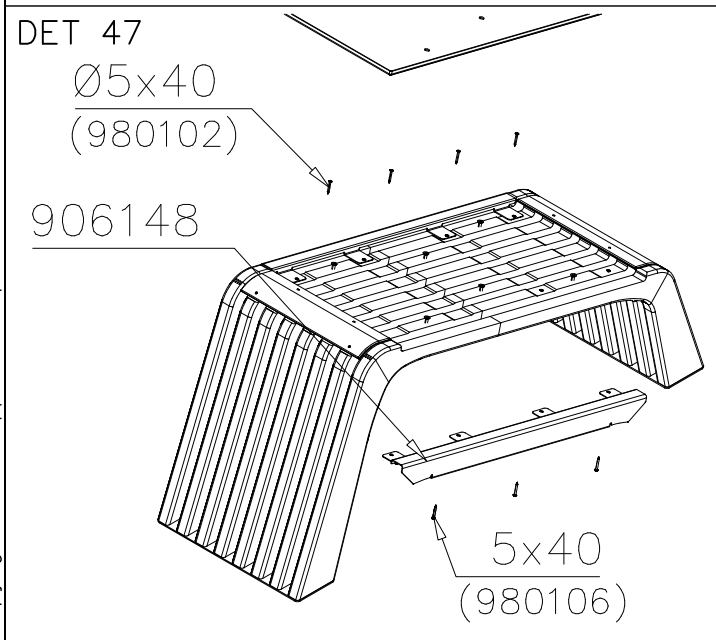
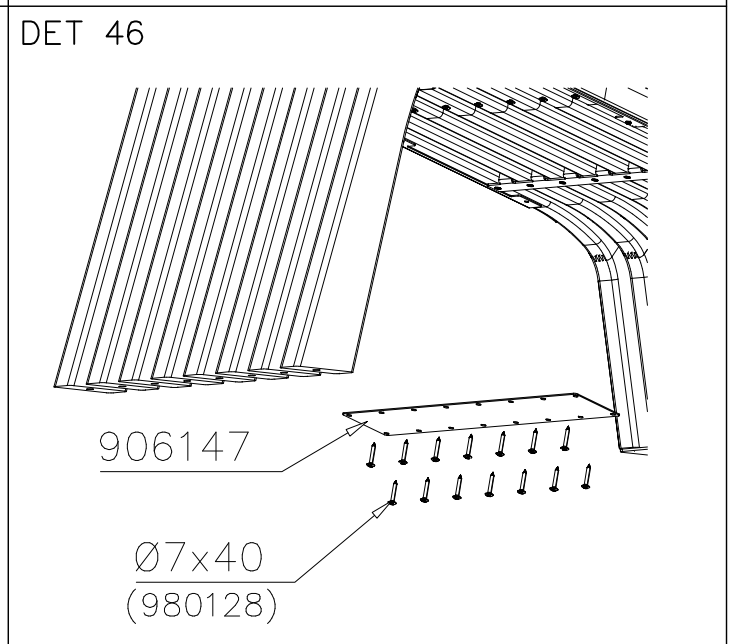
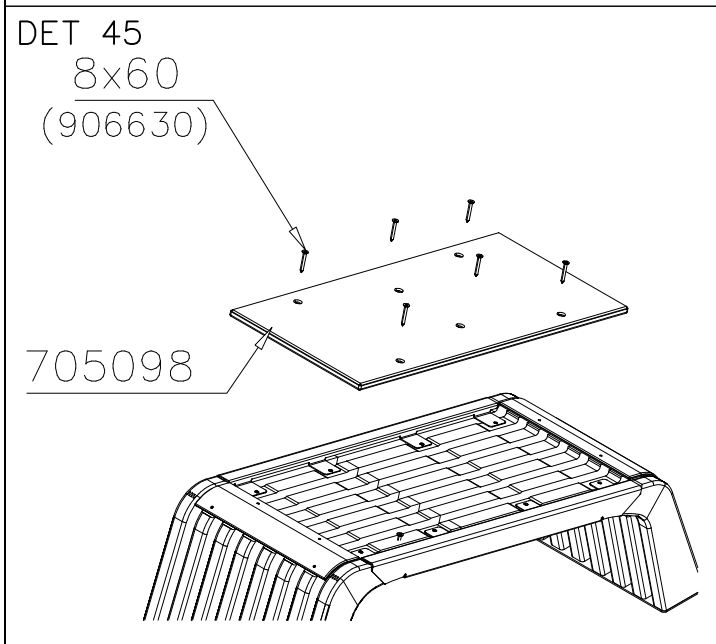
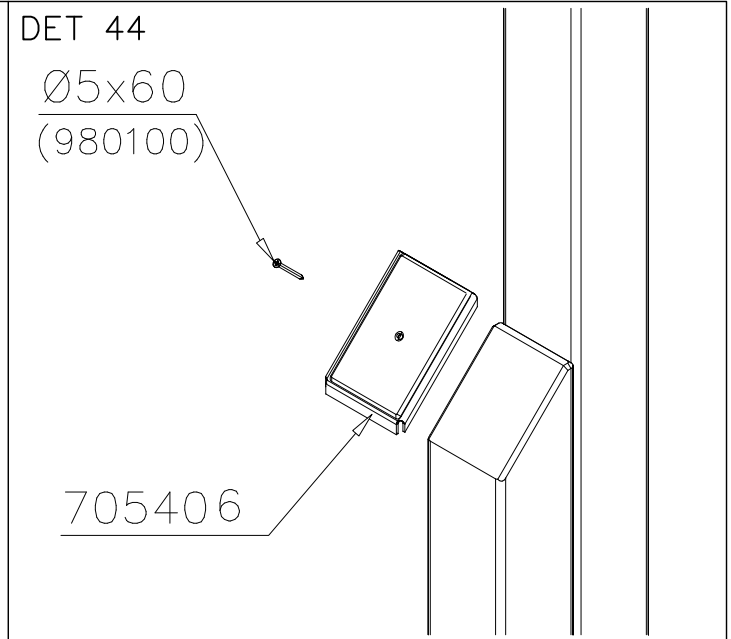
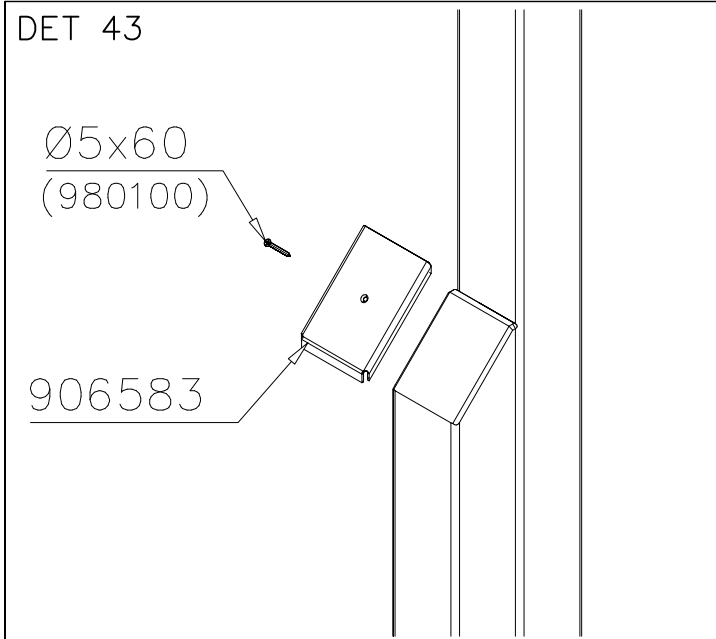


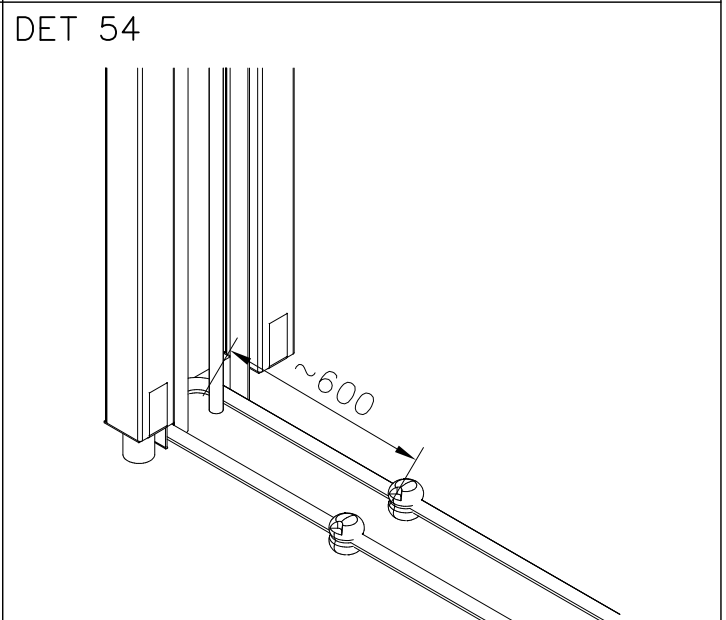
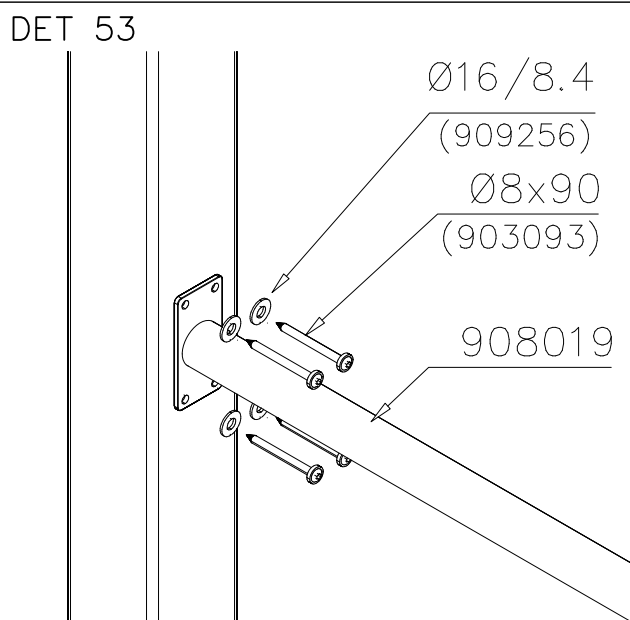
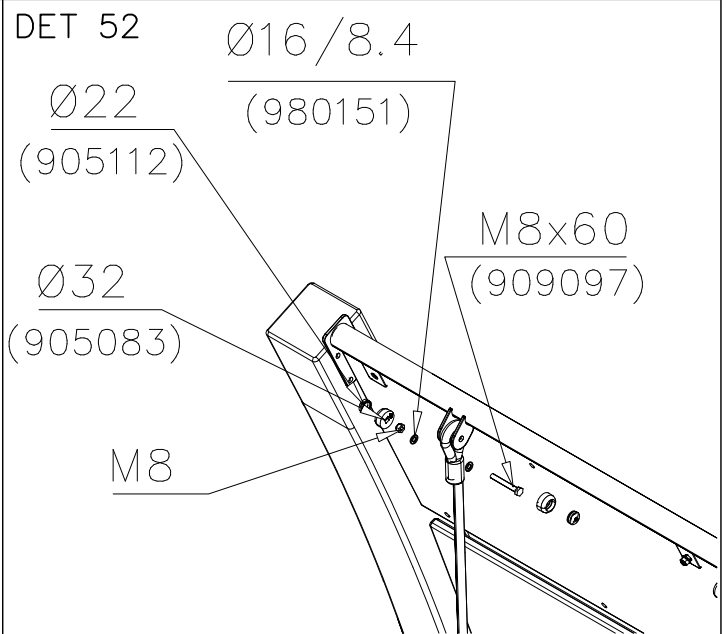
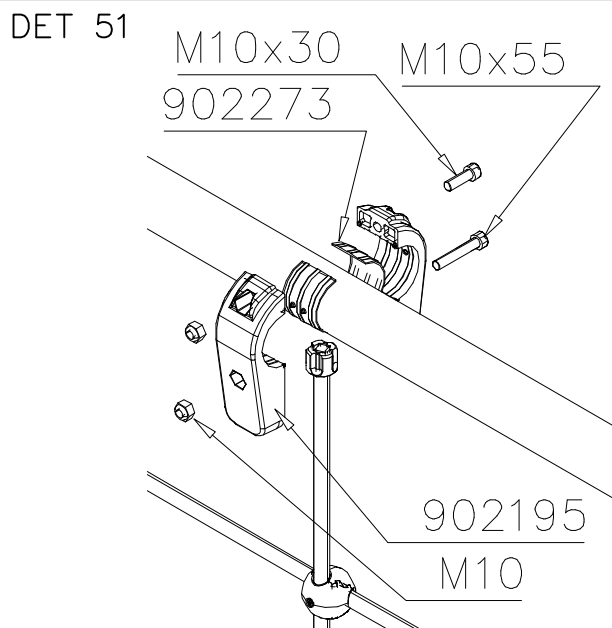
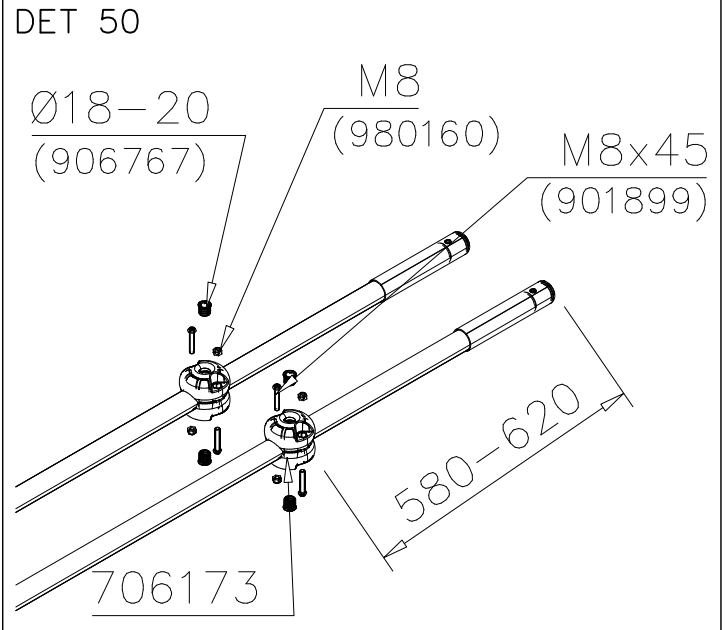
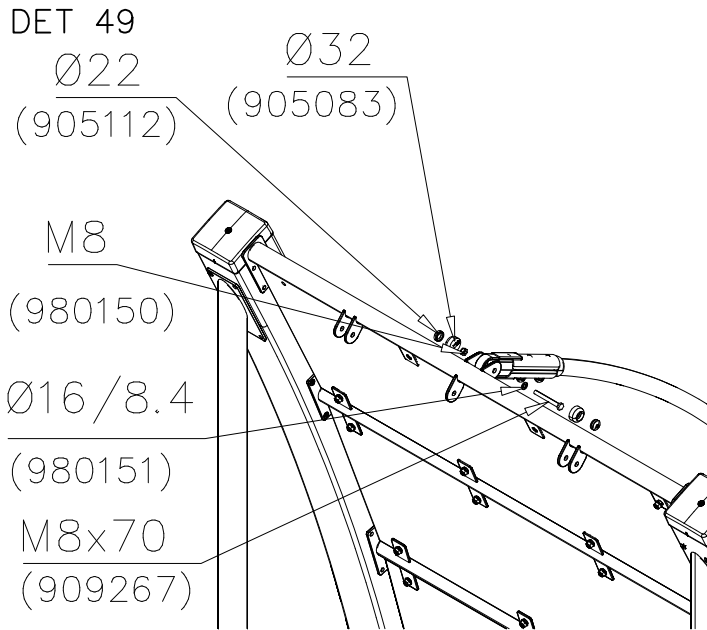
DET 41



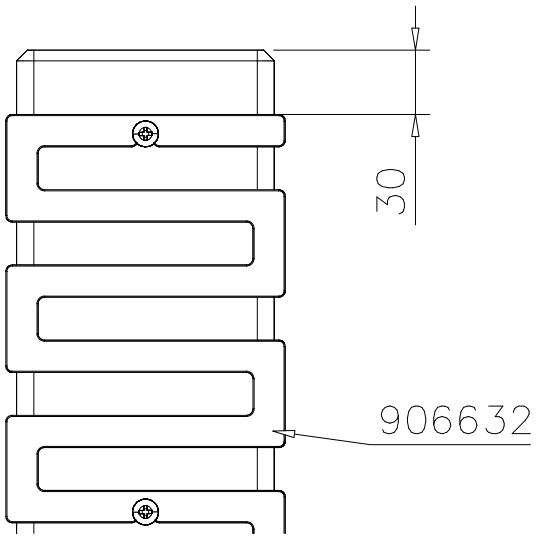
DET 42



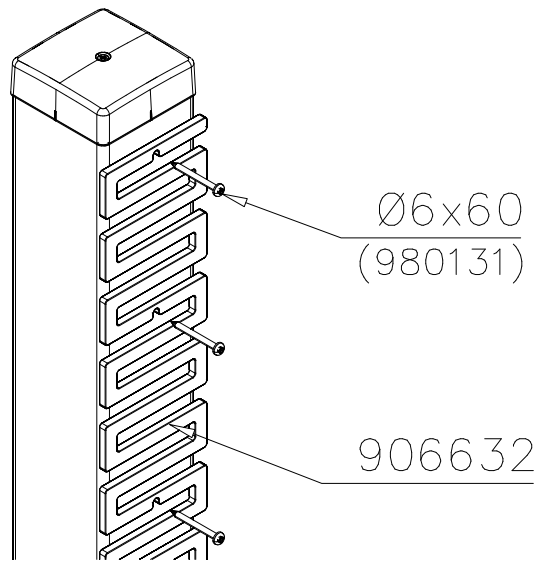




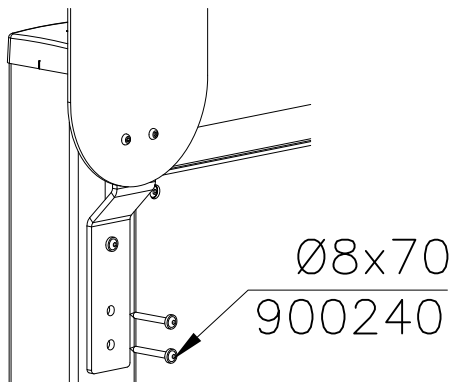
DET 55



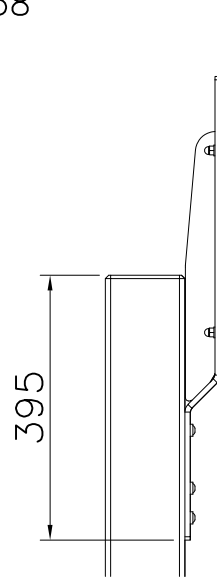
DET 56



DET 57



DET 58



DET 59

DET 60