

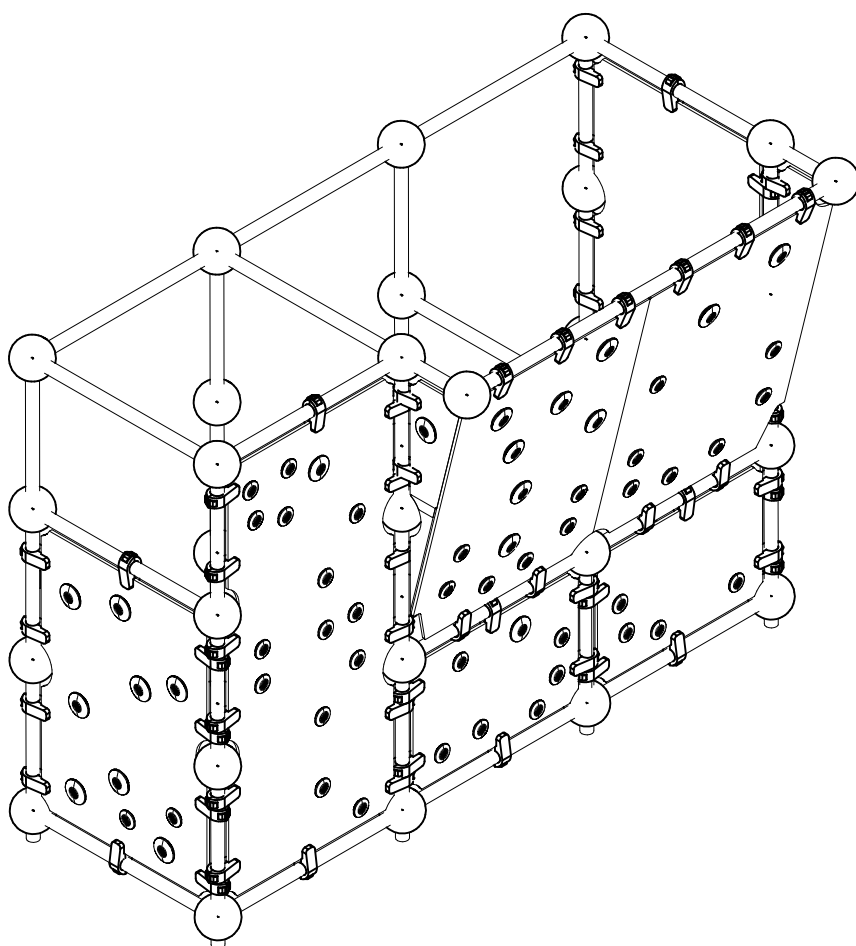
LAPPSET®

CLOXX


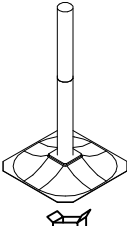
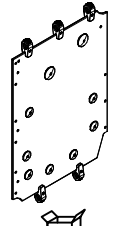
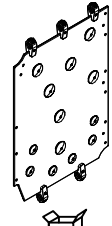
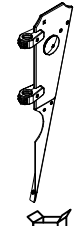
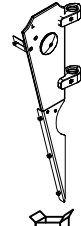
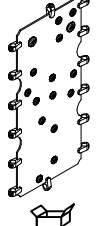
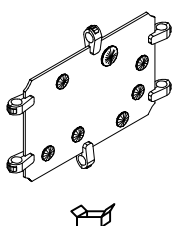
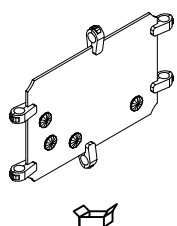
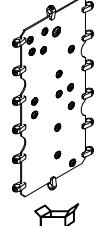
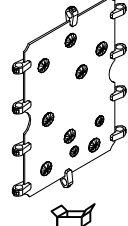
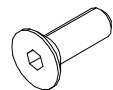
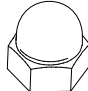
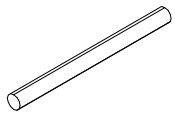
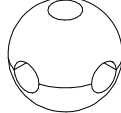
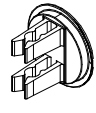
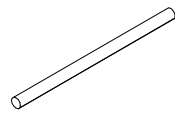

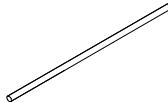
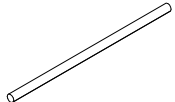
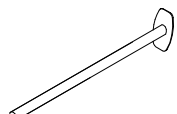

ASENNUSOHJE
MONTERINGSANSVISNING
INSTALLATION INSTRUCTION
AUFBAUANLEITUNG
NOTICE D'INSTALLATION

DATE: 25.2.2015

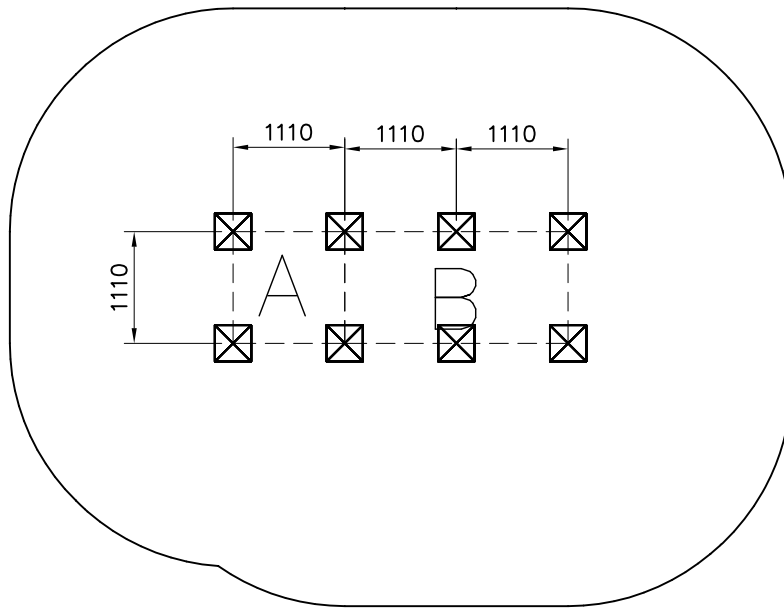
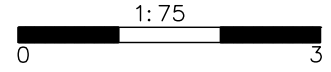
220685



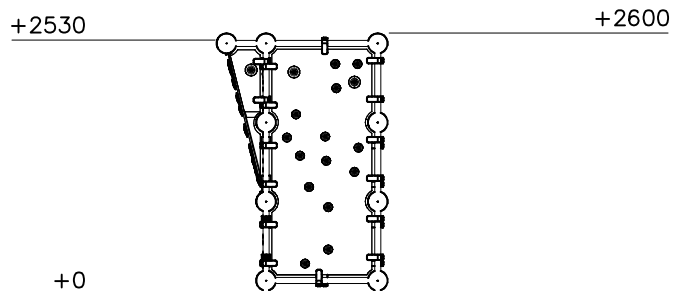
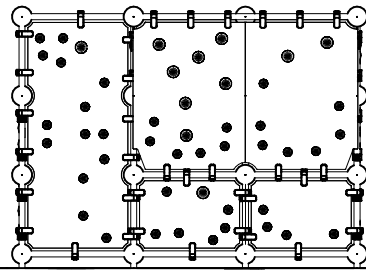
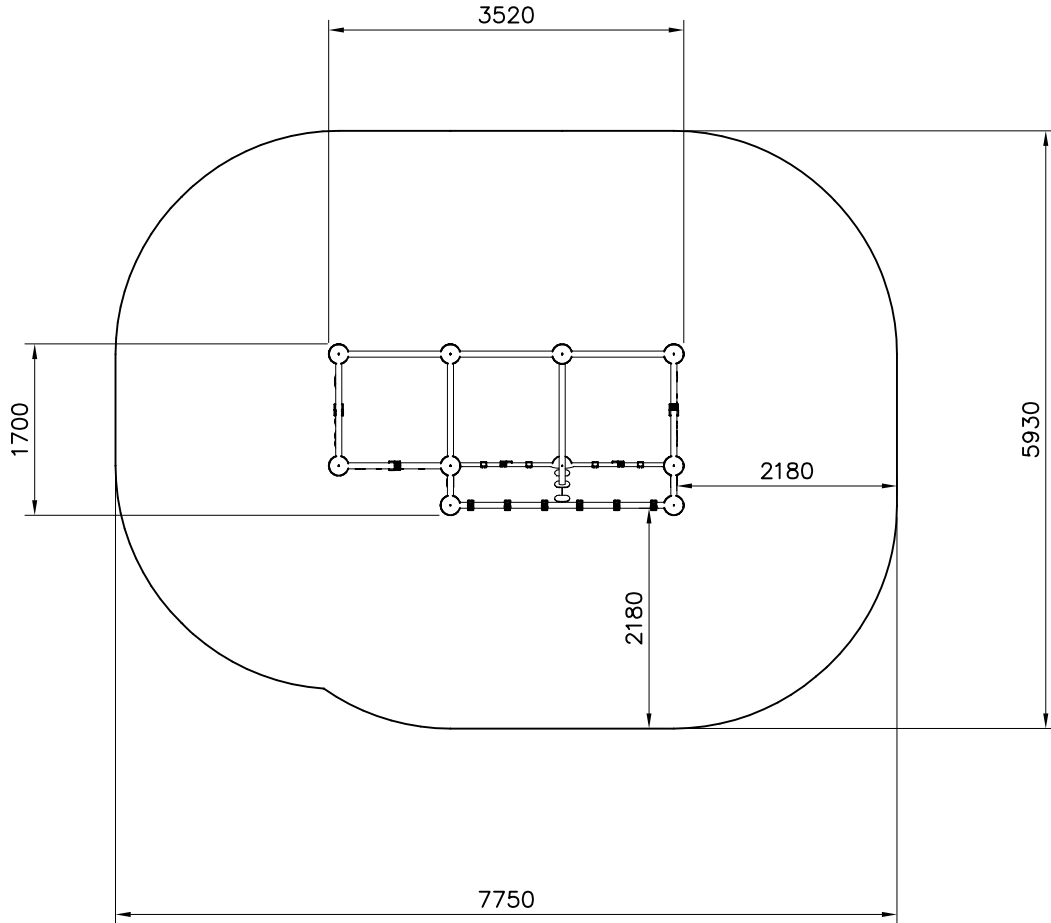
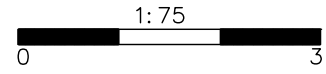
DATE: 25.2.2015

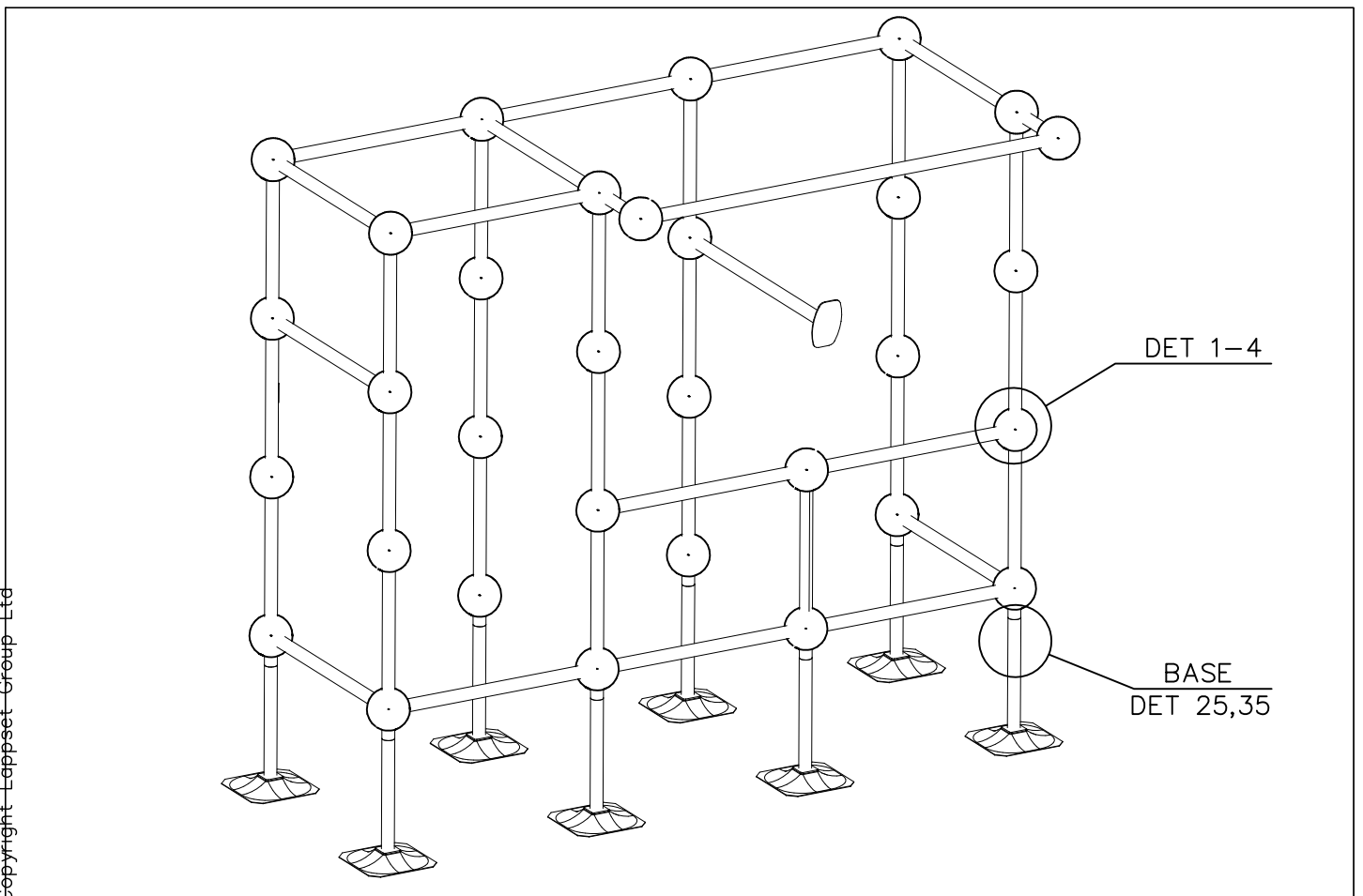
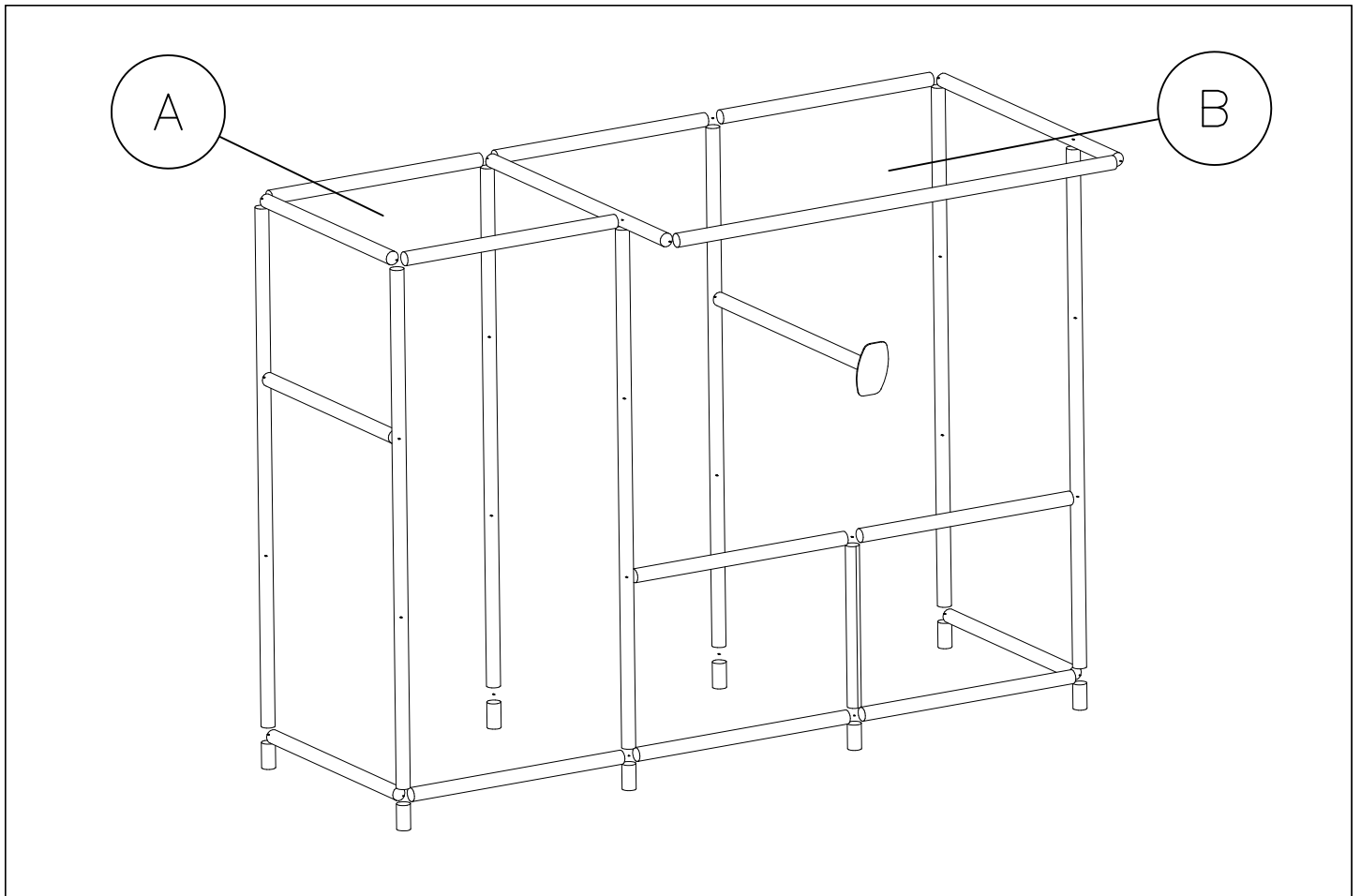
<p>702341</p>  <p>90x50</p>	<p>PCS</p> <p>1</p>	<p>703460</p> 	<p>PCS</p> <p>8</p>	<p>703868</p> 	<p>PCS</p> <p>1</p>	<p>703869</p> 	<p>PCS</p> <p>1</p>	<p>703881</p> 	<p>PCS</p> <p>1</p>	<p>703882</p> 	<p>PCS</p> <p>1</p>
<p>703884</p> 	<p>PCS</p> <p>1</p>	<p>703887</p> 	<p>PCS</p> <p>1</p>	<p>703888</p> 	<p>PCS</p> <p>1</p>	<p>704204</p> 	<p>PCS</p> <p>1</p>	<p>704205</p> 	<p>PCS</p> <p>1</p>	<p>900958</p>  <p>M10x30</p>	<p>PCS</p> <p>18</p>
<p>900965</p>  <p>M10</p>	<p>PCS</p> <p>18</p>	<p>902022</p>  <p>L 710</p>	<p>PCS</p> <p>1</p>	<p>902134</p> 	<p>PCS</p> <p>32</p>	<p>904747</p>  <p>60x60x2</p>	<p>PCS</p> <p>103</p>	<p>902424</p>  <p>L 1034</p>	<p>PCS</p> <p>13</p>	<p>904032</p>  <p>L 2278</p>	<p>PCS</p> <p>7</p>
<p>904130</p>  <p>L 2148</p>	<p>PCS</p> <p>1</p>	<p>904404</p>  <p>L 1344</p>	<p>PCS</p> <p>2</p>	<p>904411</p>  <p>L 1288</p>	<p>PCS</p> <p>1</p>	<p>904412</p> 	<p>PCS</p> <p>2</p>		<p>PCS</p>		<p>PCS</p>
	<p>PCS</p>		<p>PCS</p>		<p>PCS</p>		<p>PCS</p>		<p>PCS</p>		<p>PCS</p>
	<p>PCS</p>		<p>PCS</p>		<p>PCS</p>		<p>PCS</p>		<p>PCS</p>		<p>PCS</p>

- EN/AS Impact Area 40.7 m²
- - - - Falling Space Area 40.7 m²

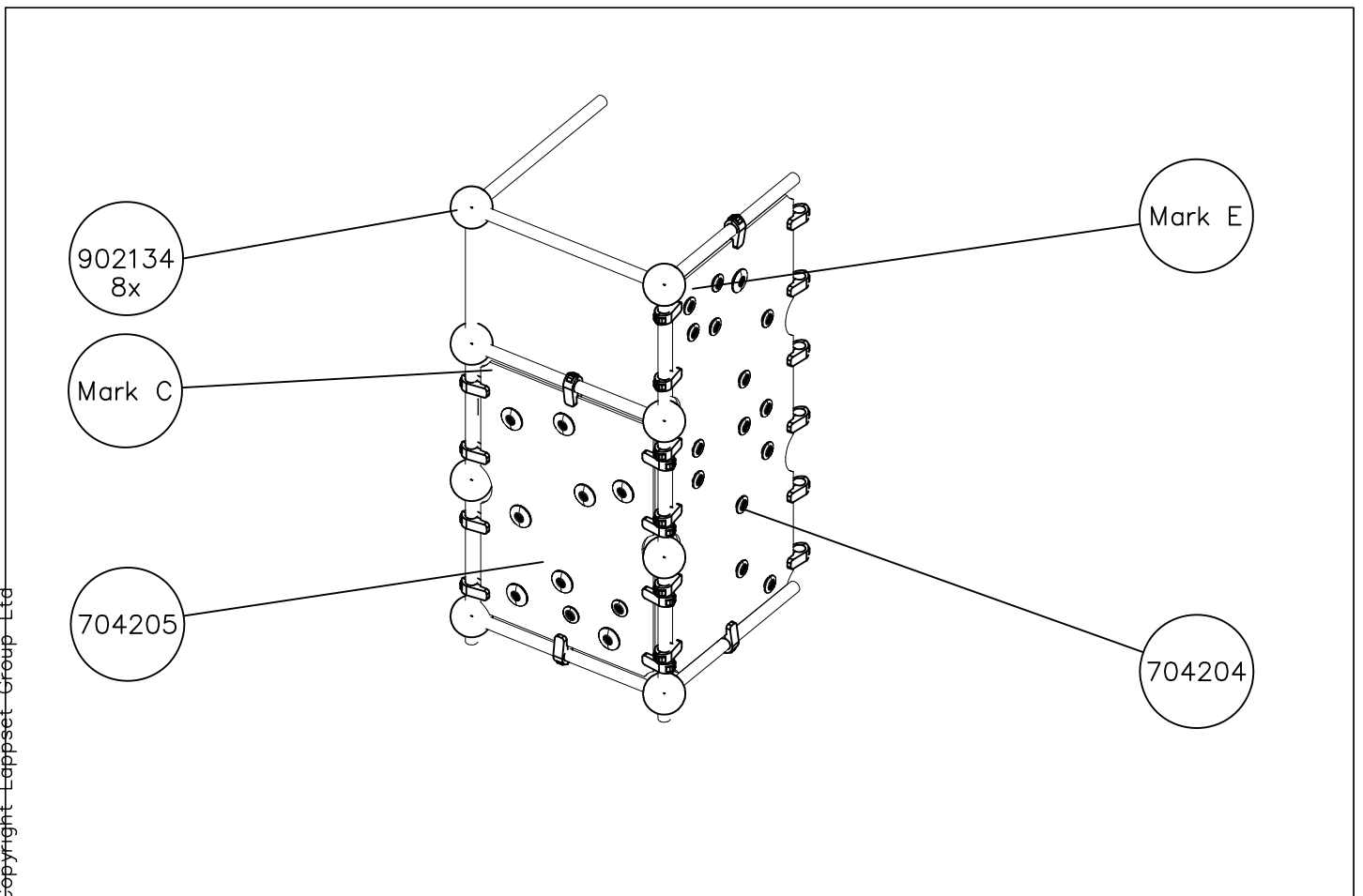
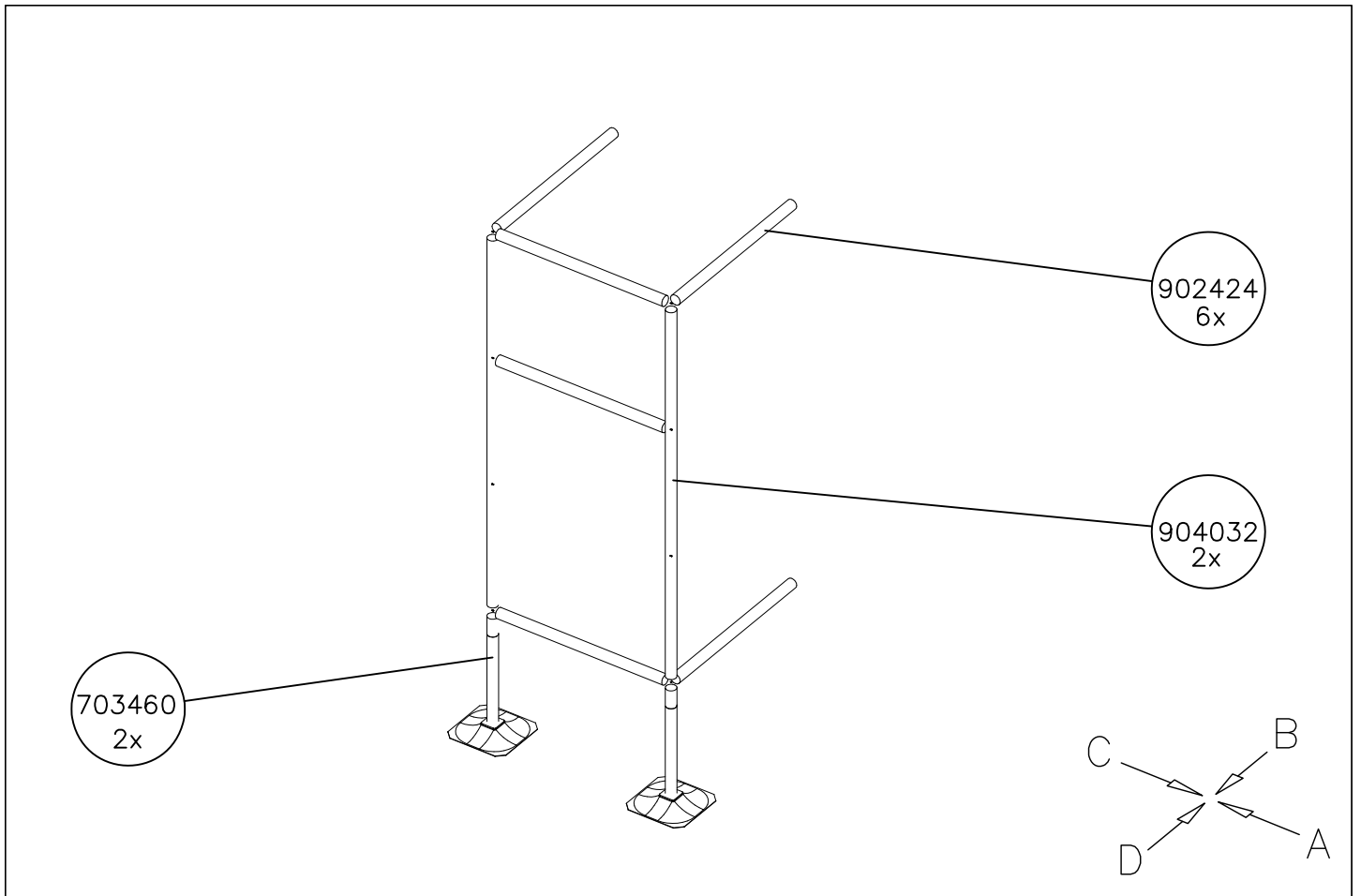


- EN/AS Impact Area 40.7 m²
- - - - Falling Space Area 40.7 m²
- Max Falling Height 2530 mm





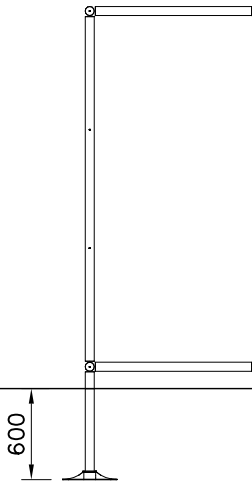
<p>DET 1</p> <p>901994</p> <p>NOTE:</p> <p>GUIDE BAR</p> <p>901994</p>	<p>DET 2</p> <p>M12x90</p> <p>901994</p> <p>M12</p>	<p>DET 3</p> <p>M12x90</p> <p>M12</p> <p>902157</p>	<p>DET 4</p> <p>M12</p> <p>901994</p> <p>M12x120</p>
<p>DET 5</p> <p>703868</p> <p>703869</p> <p>M10</p> <p>904412</p> <p>M10x30 (900958)</p>	<p>DET 6</p> <p>904411</p> <p>703868</p> <p>703869</p> <p>M10</p> <p>M10x30 (900958)</p>	<p>DET 7</p> <p>703881</p> <p>703882</p>	



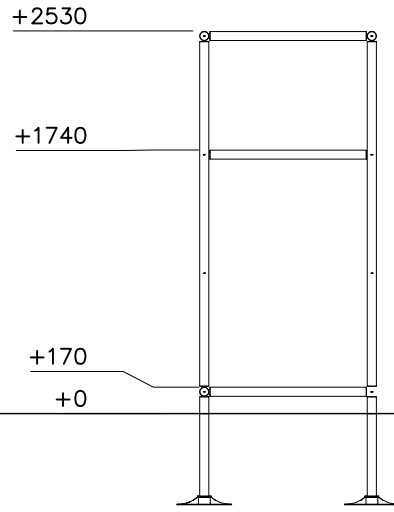
DATE: 25.2.2015

1:50

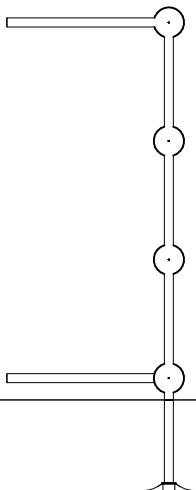
(A)



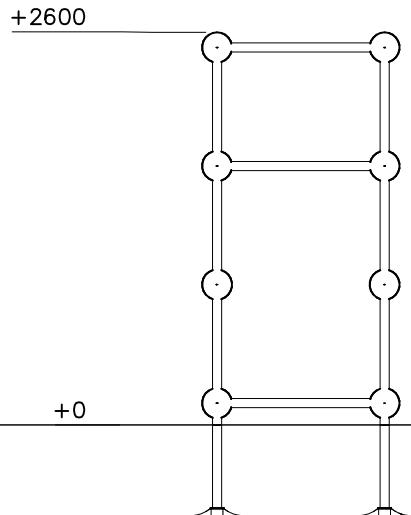
(B)

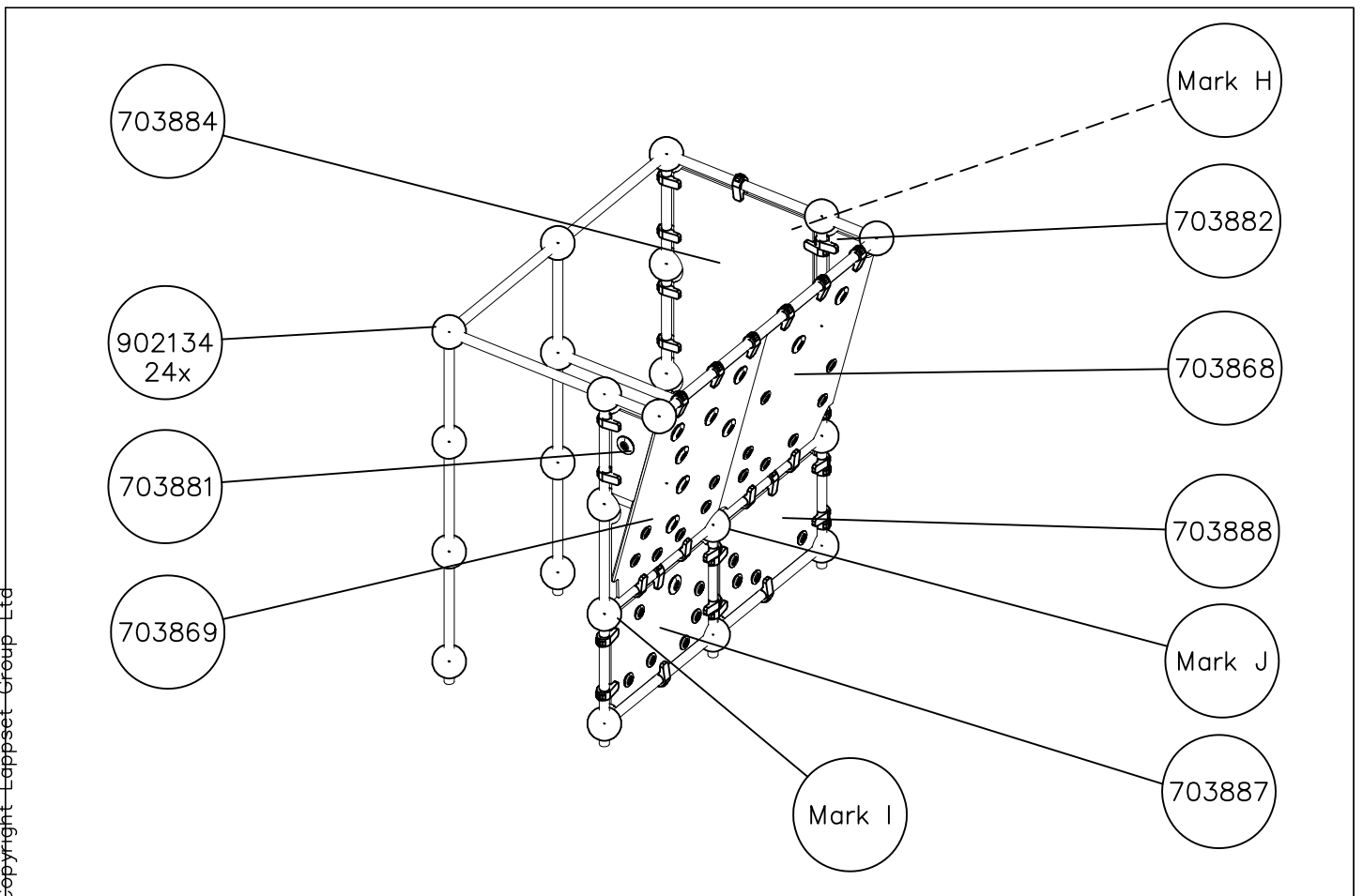
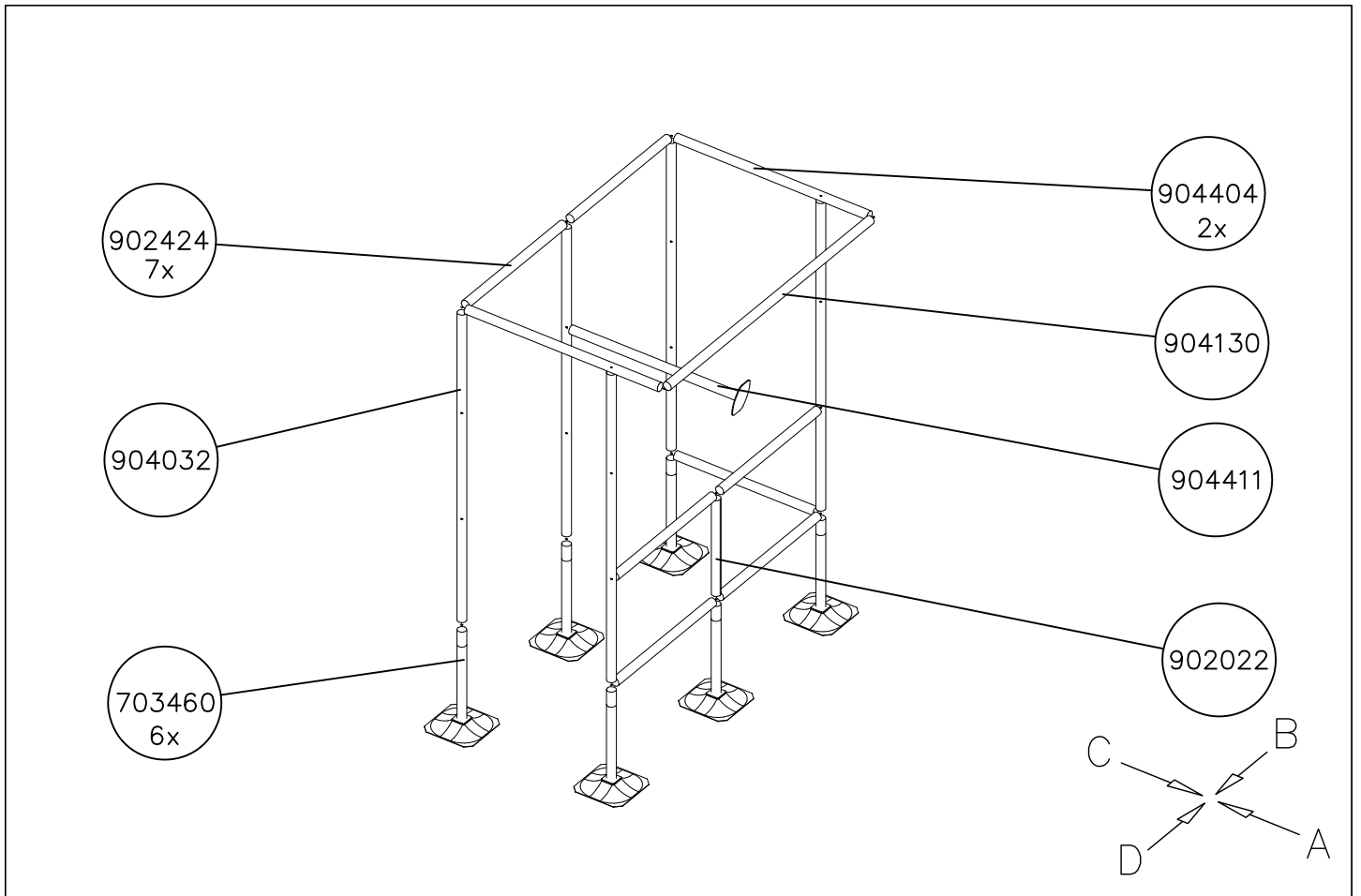


(C)



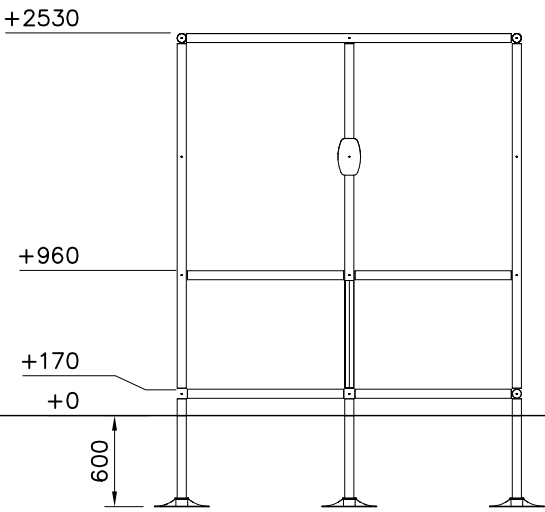
(D)



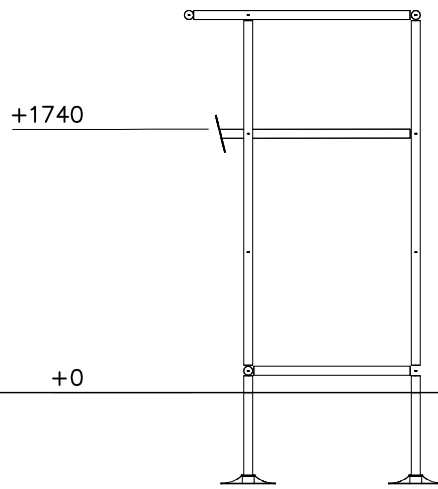


1:50

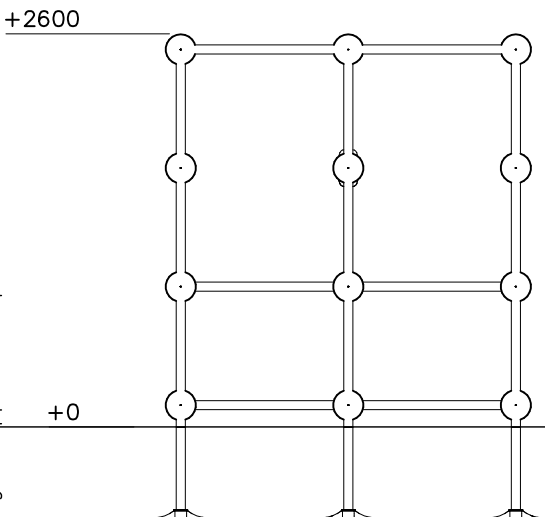
(A)



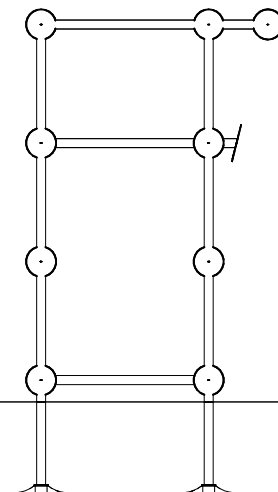
(B)

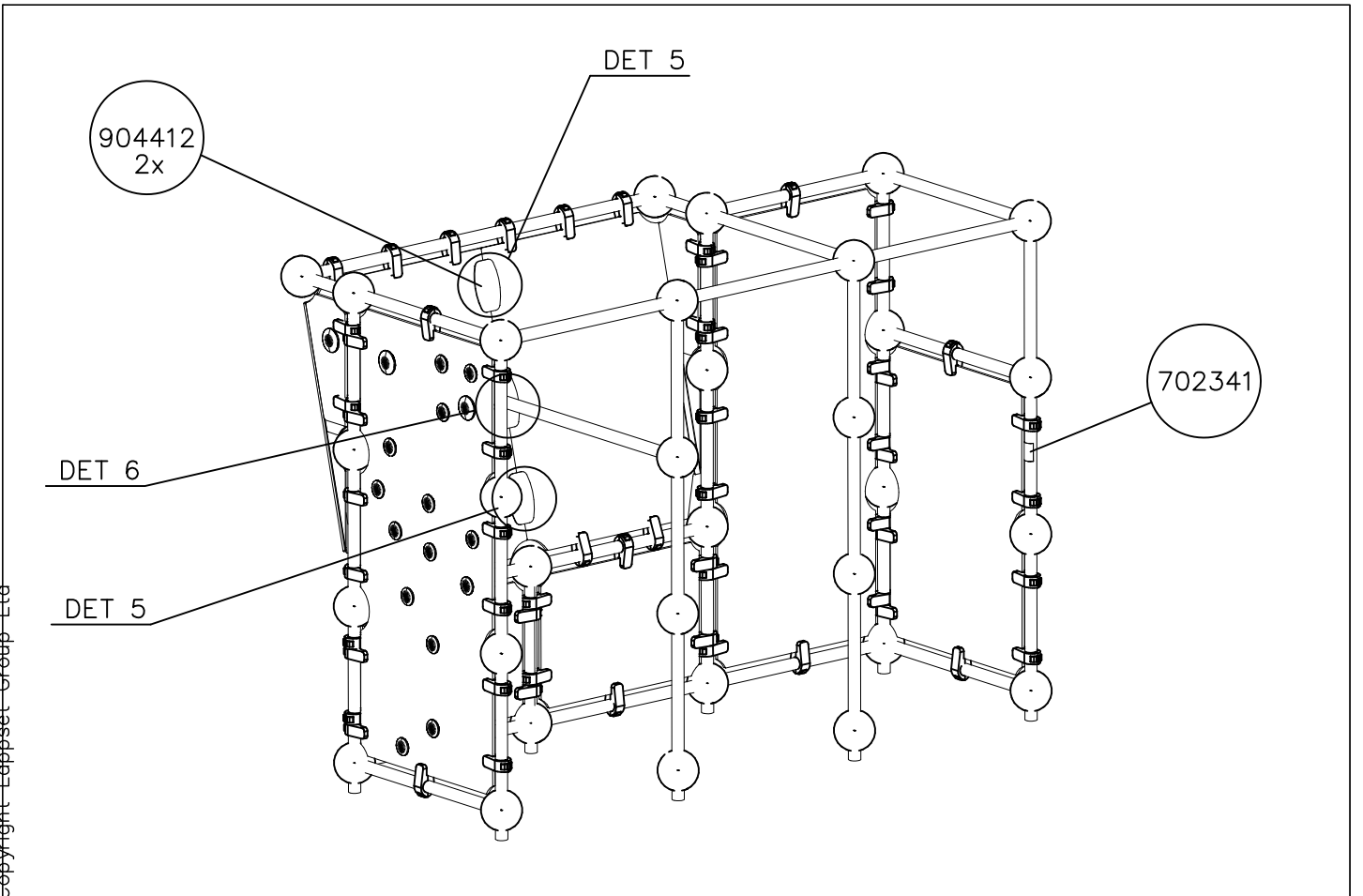
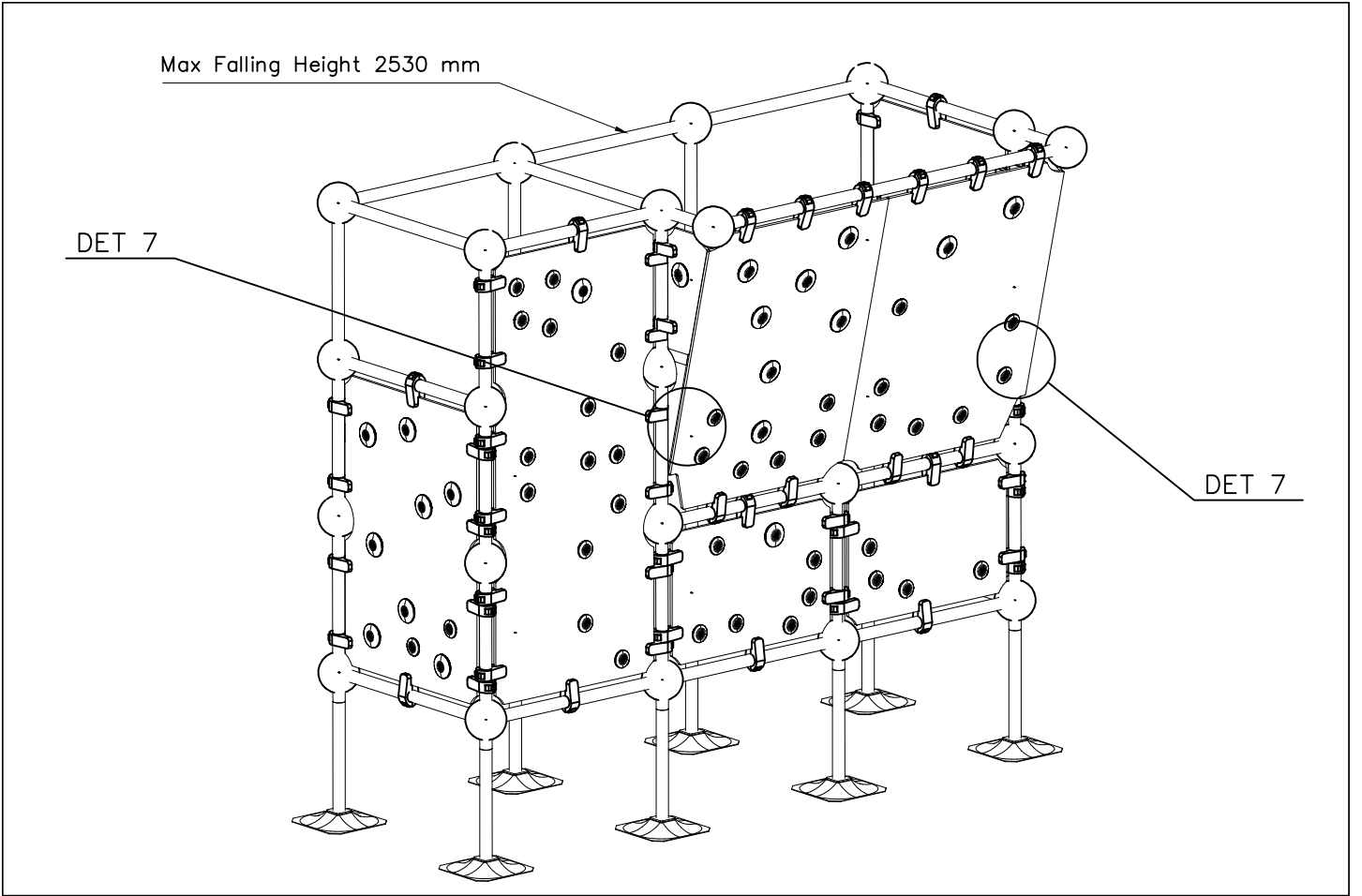


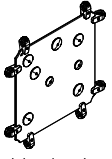
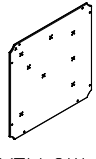
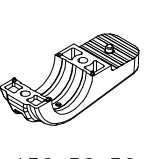
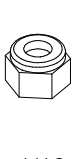
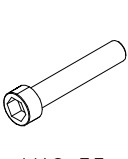
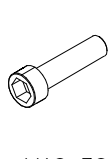
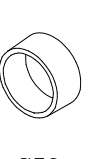
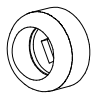
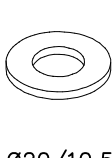
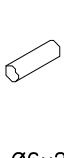



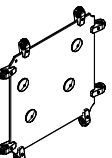
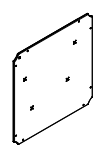
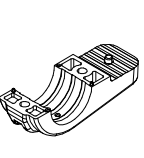
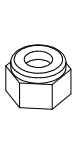
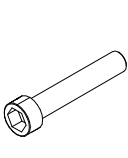
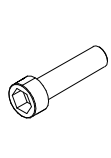
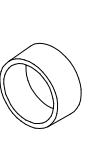
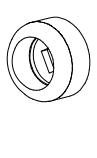
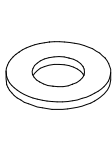
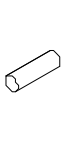
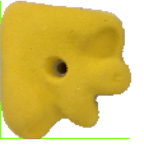
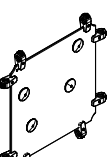
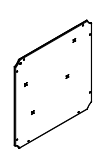
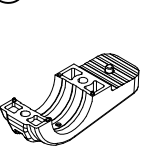
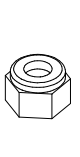
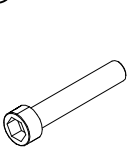
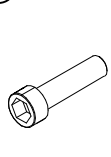

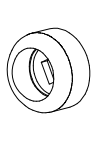
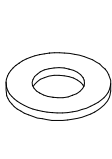
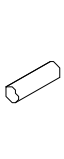
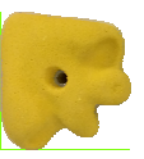
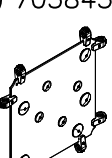

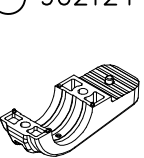
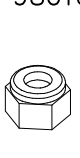
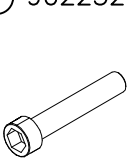
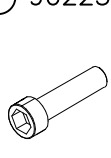

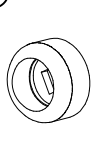
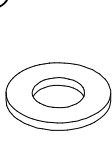
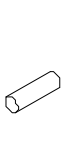


(C)

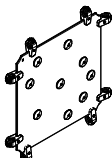
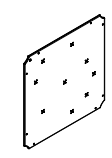
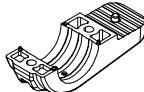
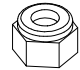
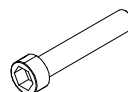
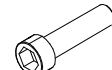
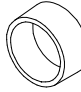

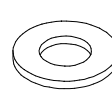
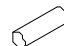


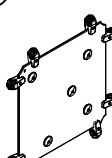
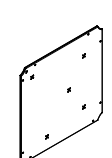
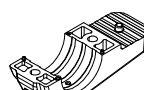
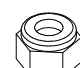
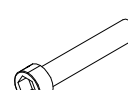


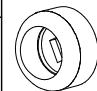
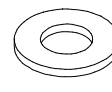
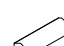

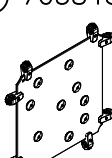
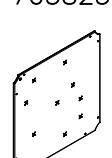
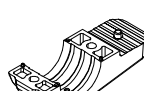
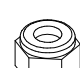
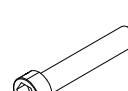



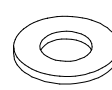
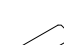


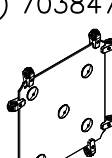
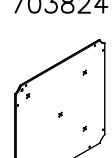
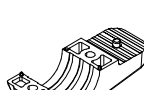

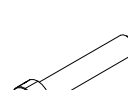



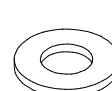

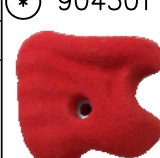


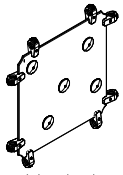

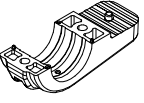
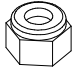
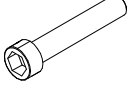
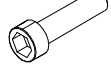
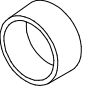
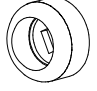



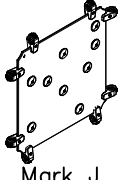
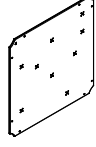
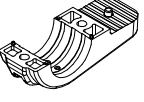
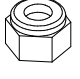
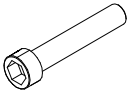
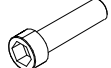

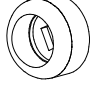




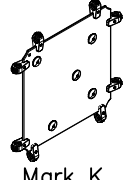

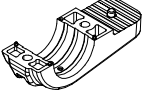
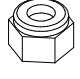
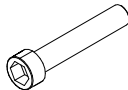
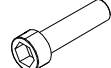
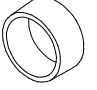
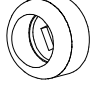



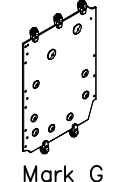
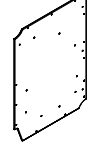
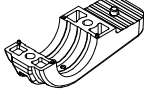
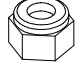
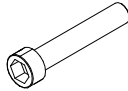
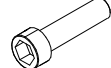
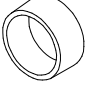
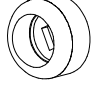





(D)





 Mark A	 YELLOW	 150x50x50	 M10	 M10x55	 M10x30	 Ø30
	 Ø45	 Ø20/10.5	 Ø6x20	 L GREEN	 XXL YELLOW	 XXL GREEN
 Mark B	 D. GRAY	 150x50x50	 M10	 M10x55	 M10x30	 Ø30
	 Ø45	 Ø20/10.5	 Ø6x20	 XXL YELLOW		
 Mark C	 D. GREY	 150x50x50	 M10	 M10x55	 M10x30	 Ø30
	 Ø45	 Ø20/10.5	 Ø6x20	 XXL YELLOW		
 Mark D	 YELLOW	 150x50x50	 M10	 M10x55	 M10x30	 Ø30
	 Ø45	 Ø20/10.5	 Ø6x20	 L BLUE	 XXL YELLOW	

 Mark E	PCS 703825  YELLOW	PCS 1	902124  150x50x50	PCS 16	980161  M10	PCS 25	902232  M10x55	PCS 17	902233  M10x30	PCS 8	905115  Ø30	PCS 9
	PCS 905090  Ø45	PCS 9	901302  Ø20/10.5	PCS 9	904336  Ø6x20	PCS 9	* 904297  L GREEN	PCS 4	* 904298  L BLUE	PCS 5		PCS
 Mark F	PCS 703822  YELLOW	PCS 1	902124  150x50x50	PCS 16	980161  M10	PCS 21	902232  M10x55	PCS 13	902233  M10x30	PCS 8	905115  Ø30	PCS 5
	PCS 905090  Ø45	PCS 5	901302  Ø20/10.5	PCS 5	904336  Ø6x20	PCS 5	* 904298  L BLUE	PCS 5		PCS		PCS
 Mark G	PCS 703823  YELLOW	PCS 1	902124  150x50x50	PCS 16	980161  M10	PCS 25	902232  M10x55	PCS 17	902233  M10x30	PCS 8	905115  Ø30	PCS 9
	PCS 905090  Ø45	PCS 9	901302  Ø20/10.5	PCS 9	904336  Ø6x20	PCS 9	* 904297  L GREEN	PCS 4	* 904298  L BLUE	PCS 5		PCS
 Mark H	PCS 703824  D. GREY	PCS 1	902124  150x50x50	PCS 16	980161  M10	PCS 21	902232  M10x55	PCS 13	902233  M10x30	PCS 8	905115  Ø30	PCS 5
	PCS 905090  Ø45	PCS 5	901302  Ø20/10.5	PCS 5	904336  Ø6x20	PCS 5	* 904301  XXL RED	PCS 5		PCS		PCS

 Mark I	PCS 703821  D. GRAY	PCS 1 902124  150x50x50	PCS 16 980161  M10	PCS 21 902232  M10x55	PCS 13 902233  M10x30	PCS 8 905115  Ø30	PCS 5
	PCS 905090  Ø45	PCS 5 901302  Ø20/10.5	PCS 5 904336  Ø6x20	PCS 5 * 904301  XXL RED	PCS 5	PCS	PCS
 Mark J	PCS 703826  YELLOW	PCS 1 902124  150x50x50	PCS 16 980161  M10	PCS 25 902232  M10x55	PCS 17 902233  M10x30	PCS 8 905115  Ø30	PCS 9
	PCS 905090  Ø45	PCS 9 901302  Ø20/10.5	PCS 9 904336  Ø6x20	PCS 9 * 904298  L BLUE	PCS 3 * 904300  L RED	PCS 6	PCS
 Mark K	PCS 703827  YELLOW	PCS 1 902124  150x50x50	PCS 16 980161  M10	PCS 21 902232  M10x55	PCS 13 902233  M10x30	PCS 8 905115  Ø30	PCS 5
	PCS 905090  Ø45	PCS 5 901302  Ø20/10.5	PCS 5 904336  Ø6x20	PCS 5 * 904298  L BLUE	PCS 5	PCS	PCS
 Mark G	PCS 703867  D. GRAY	PCS 1 902124  150x50x50	PCS 10 980161  M10	PCS 19 902232  M10x55	PCS 14 902233  M10x30	PCS 5 905115  Ø30	PCS 9
	PCS 905090  Ø45	PCS 9 901302  Ø20/10.5	PCS 9 904336  Ø6x20	PCS 9 * 904298  L BLUE	PCS 4 * 904300  L RED	PCS 3 * 904301  XXL RED	PCS 2

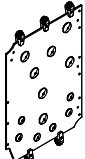

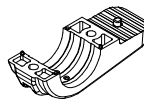
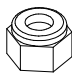
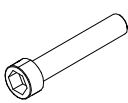
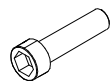
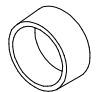
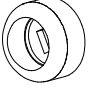




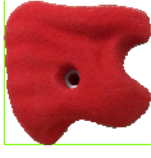
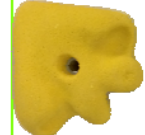


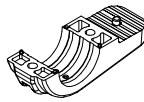
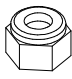
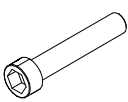
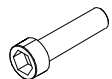
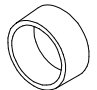






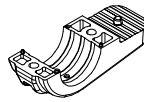
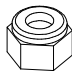
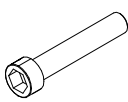
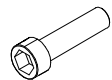
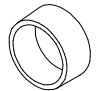
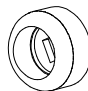



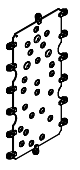

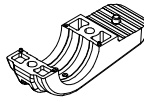
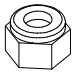
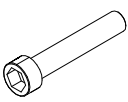
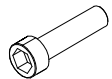
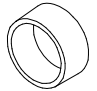
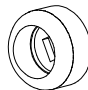


LAPPSET®

WALL

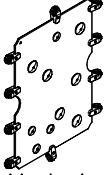

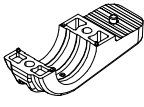
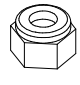
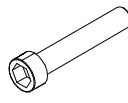
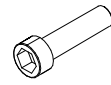
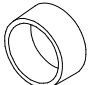
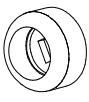
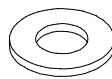



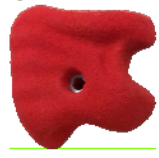
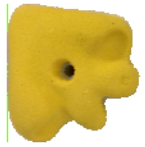
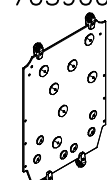
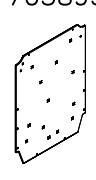
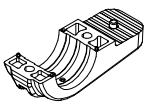
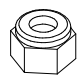
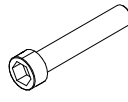
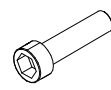
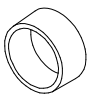
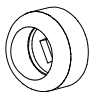
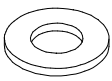



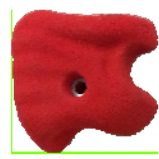

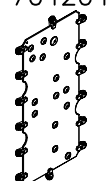
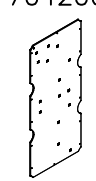
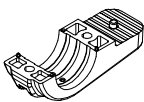
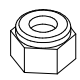
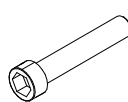
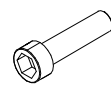
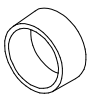
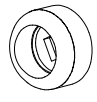
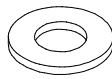



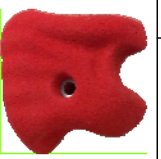
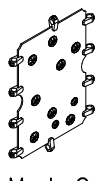
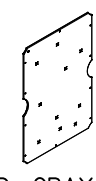
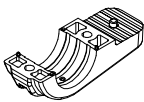
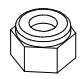
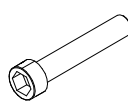
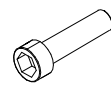
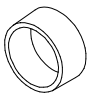
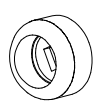




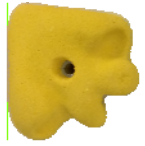
CLOXX

DATE: 11.11.2016

4(7)

○ 703869	PCS 703866	PCS 1	○ 902124	PCS 10	○ 980161	PCS 23	○ 902232	PCS 18	○ 902233	PCS 5	○ 905115	PCS 13
												
Mark F	YELLOW		150x50x50		M10		M10x55		M10x30		Ø30	
○ 905090	PCS 13	PCS 13	○ 904336	PCS 13	* 904298	PCS 4	* 904300	PCS 2	* 904301	PCS 3	* 904302	PCS 4
												
Ø45	Ø20/10.5	Ø6x20	L Blue	L RED	XXL RED	XXL YELLOW						
○ 703881	PCS 703880	PCS 1	○ 902124	PCS 4	○ 980161	PCS 5	○ 902232	PCS 3	○ 902233	PCS 2	○ 905115	PCS 1
												
Mark K	D. GRAY		150x50x50		M10		M10x55		M10x30		Ø30	
	PCS 905090	PCS 1	○ 901302	PCS 1	○ 904336	PCS 1	* 904301	PCS 1		PCS		PCS
												
	Ø45		Ø20/10.5		Ø6x20		XXL RED					
○ 703882	PCS 703879	PCS 1	○ 902124	PCS 4	○ 980161	PCS 5	○ 902232	PCS 3	○ 902233	PCS 2	○ 905115	PCS 1
												
Mark L	YELLOW		150x50x50		M10		M10x55		M10x30		Ø30	
	PCS 905090	PCS 1	○ 901302	PCS 1	○ 904336	PCS 1	* 904301	PCS 1		PCS		PCS
												
	Ø45		Ø20/10.5		Ø6x20		XXL RED					
○ 703883	PCS 703886	PCS 1	○ 902124	PCS 28	○ 980161	PCS 53	○ 902232	PCS 39	○ 902233	PCS 14	○ 905115	PCS 25
												
Mark B	D. GRAY		150x50x50		M10		M10x55		M10x30		Ø30	
	PCS 905090	PCS 25	○ 901302	PCS 25	○ 904336	PCS 25		PCS		PCS		PCS
												
	Ø45		Ø20/10.5		Ø6x20							

	PCS 904297 L GREEN	PCS * 904299 L YELLOW	PCS * 904300 L RED	PCS * 904301 XXL RED	PCS * 904302 XXL YELLOW					
703884 Mark H	PCS 703885 YELLOW	PCS 902124 150x50x50	PCS 980161 M10	PCS 902232 M10x55	PCS 902233 M10x30	PCS 905115 Ø30				
	PCS 905090 Ø45	PCS 901302 Ø20/10.5	PCS 904336 Ø6x20	PCS * 904298 L Blue	PCS * 904300 L RED	PCS * 904301 XXL RED				
703887 Mark I	PCS 703889 D. GRAY	PCS 902124 150x50x50	PCS 980161 M10	PCS 902232 M10x55	PCS 902233 M10x30	PCS 905115 Ø30				
	PCS 905090 Ø45	PCS 901302 Ø20/10.5	PCS 904336 Ø6x20							
	PCS 904298 L BLUE	PCS * 904299 L YELLOW	PCS * 904300 L RED	PCS * 904302 XXL YELLOW						
703888 Mark J	PCS 703890 YELLOW	PCS 902124 150x50x50	PCS 980161 M10	PCS 902232 M10x55	PCS 902233 M10x30	PCS 905115 Ø30				
	PCS 905090 Ø45	PCS 901302 Ø20/10.5	PCS 904336 Ø6x20	PCS * 904298 L BLUE	PCS * 904300 L RED					

 Mark A	PCS 703894	 YELLOW	PCS 1	 150x50x50	PCS 20	 M10	PCS 30	 M10x55	PCS 20	 M10x30	PCS 10	 Ø30	PCS 10
 Ø45	PCS 10	 Ø20/10.5	PCS 10	 Ø6x20	PCS 10	 L YELLOW	PCS 2	 L RED	PCS 2	 XXL RED	PCS 2	 XXL YELLOW	PCS 4
 Mark M	PCS 703900	 YELLOW	PCS 1	 150x50x50	PCS 8	 M10	PCS 21	 M10x55	PCS 17	 M10x30	PCS 4	 Ø30	PCS 13
 Ø45	PCS 13	 Ø20/10.5	PCS 13	 Ø6x20	PCS 13	 L Blue	PCS 4	 L RED	PCS 2	 XXL RED	PCS 3	 XXL YELLOW	PCS 4
 Mark E	PCS 704204	 D. GRAY	PCS 1	 150x50x50	PCS 28	 M10	PCS 43	 M10x55	PCS 29	 M10x30	PCS 14	 Ø30	PCS 15
 Ø45	PCS 15	 Ø20/10.5	PCS 15	 Ø6x20	PCS 15	 L Blue	PCS 11	 L RED	PCS 3	 XXL RED	PCS 1		PCS 1
 Mark C	PCS 704205	 D. GRAY	PCS 1	 150x50x50	PCS 20	 M10	PCS 30	 M10x55	PCS 20	 M10x30	PCS 10	 Ø30	PCS 10
 Ø45	PCS 10	 Ø20/10.5	PCS 10	 Ø6x20	PCS 10	 L RED	PCS 10	 XXL RED	PCS 2	 XXL YELLOW	PCS 2		PCS 6

HUOM!

Otepalan asennus, säätö tai paikan vaihto.

Säätömahdollisuus (90°,180°,270°).

Jos asennetun otepalan suuntaa- tai paikkaa halutaan muuttaa.

Irrota otepalan kiinnityspultti ja otepala, käännä tai vaihda.

Siirrä tarvittaessa tappi oikeaan upotusreikään. Asenna avatut osat paikoilleen ja lopuksi kiinnitä muovitulppa Ø30 paikoilleen kaikkiin otekokoonpanoihin.

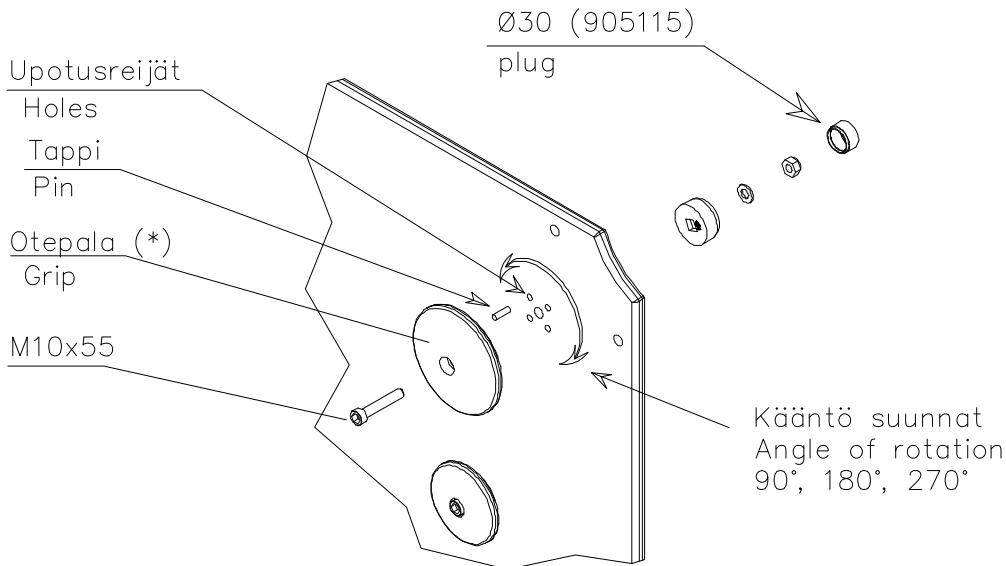
NOTE:

Grip positions and angles are adjustable (90°,180°270°).

Grip can be repositioned by removing the fastening bolt and pulling the grip off.

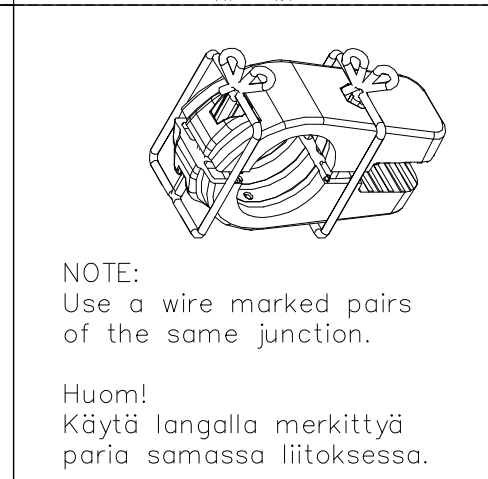
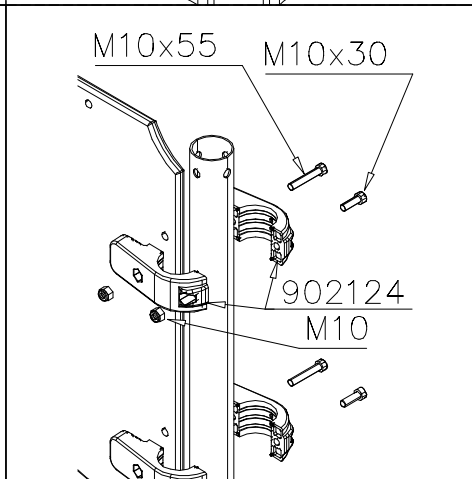
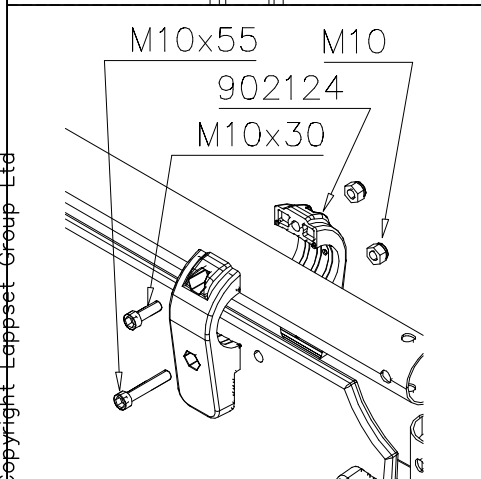
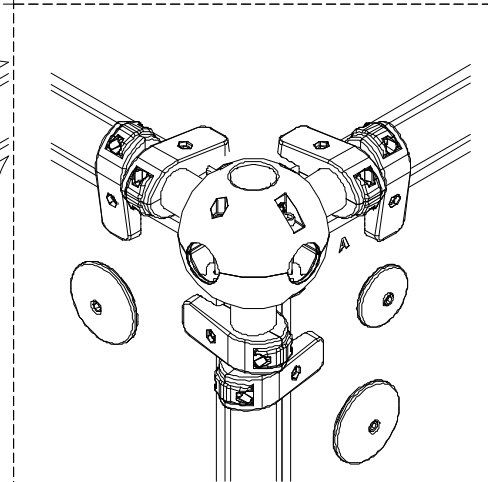
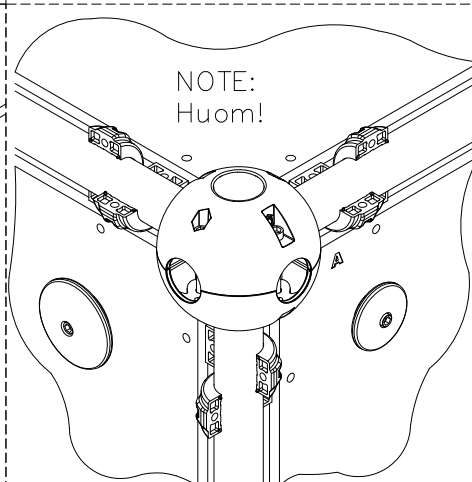
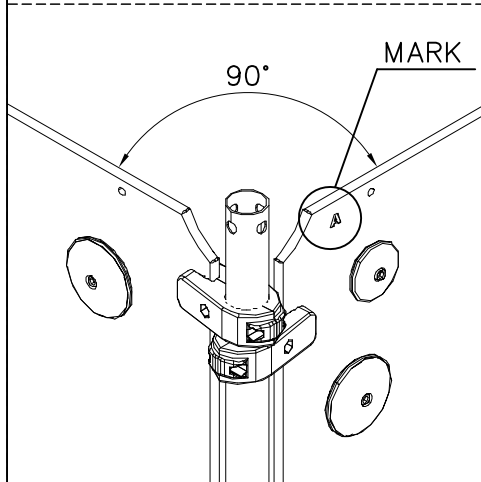
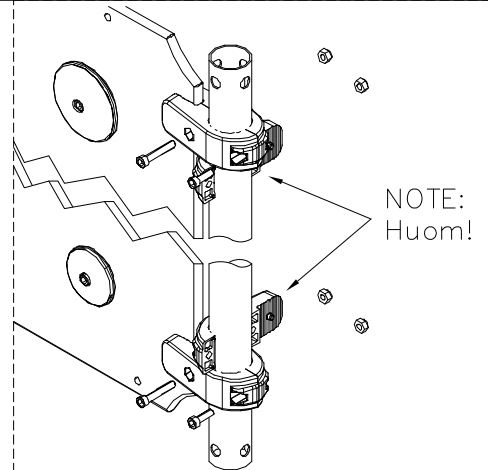
Securing pin can be repositioned when angle is changed.

After the parts are reassembled. Finish the assembly by fastening the cover plugs (Ø30).



NOTE:
 When two or more plates are assembled directly next to each other, the connectors of ALL the adjacent plates need to be placed between the first plate and the tube while fixing the first wall plate. The connectors cannot be fitted through the gap between tube and completely fixed wall plate.

Huom:
 Kun yksi tai useampi levy asennetaan vierekkäin, tulee kaikkien vierekkäisten levyjen kiinnikkeet asettaa valmiiksi putken ja ensimmäisen levyn väliin. Kiinnityskappaleita ei voi pujottaa putken ja kiinnitetyn levyn välistä jälkeenpäin.



												
<p>$h < 600$</p> <p>Without movement and therefore without Impact Area</p>	<p>Totally hard surfaces.</p> <p>Note. Lappset does <u>not recommend</u> totally hard surfaces at all.</p>	<p>E.g. concrete or asphalt</p> 										
<p>$h < 600$</p> <p>With movement e.g. rocking</p>	<p>Materials with very limited impact attenuating properties.</p>	<p>E.g. wood</p> 										
<p>$h < 1000$</p>	<p>Materials with significant impact attenuating properties.</p>	<p>fine gravel 0–8 mm</p>  <p>grass</p>  <p>unsorted sand</p> 										
<p>$h < 3000$</p>	<p>Loose fill material</p> <p>E.g. sand/gravel 0,25...8 mm D60/D10<3,0 Woodchips 5...30 mm bark 20...80 mm</p>	 <table data-bbox="1024 1691 1332 1780"> <tr> <td>\underline{S}</td> <td>\underline{h}</td> </tr> <tr> <td>30 cm</td> <td>< 2,0 m</td> </tr> <tr> <td>40 cm</td> <td>< 3,0 m</td> </tr> </table>	\underline{S}	\underline{h}	30 cm	< 2,0 m	40 cm	< 3,0 m				
\underline{S}	\underline{h}											
30 cm	< 2,0 m											
40 cm	< 3,0 m											
	<p>Syntethic granulates</p> <table data-bbox="406 1892 758 2060"> <tr> <td>\underline{S}</td> <td>\underline{h}</td> </tr> <tr> <td>40 mm</td> <td>~> 1,2...1,3 m</td> </tr> <tr> <td>50 mm</td> <td>~> 1,5...1,7 m</td> </tr> <tr> <td>60 mm</td> <td>~> 1,8...2,0 m</td> </tr> <tr> <td>70 mm</td> <td>~> 2,1...2,5 m</td> </tr> </table> <p>Note. For accurate values, see manufacturer's instructions.</p>	\underline{S}	\underline{h}	40 mm	~> 1,2...1,3 m	50 mm	~> 1,5...1,7 m	60 mm	~> 1,8...2,0 m	70 mm	~> 2,1...2,5 m	
\underline{S}	\underline{h}											
40 mm	~> 1,2...1,3 m											
50 mm	~> 1,5...1,7 m											
60 mm	~> 1,8...2,0 m											
70 mm	~> 2,1...2,5 m											

REMOVE SAFETY SURFACE/SAND/GRAVEL
TO CHECK FOUNDATION



REMOVE SAFETY SURFACE/SAND/GRAVEL
TO CHECK FOUNDATION



<p>DET 1</p> <p>M8x50</p> <p>702845</p> <p>M8</p>	<p>DET 2</p> <p>M8x60 902625</p> <p>702845</p> <p>M8</p>	<p>DET 3</p>
<p>DET 4</p> <p>CUT EXTRA CHAIN</p>	<p>DET 5</p> <p>90Nm</p> <p>M12x110</p> <p>Ø24/13</p> <p>901958</p> <p>M8x35</p> <p>Ø24/13</p> <p>M12 NYLOC</p> <p>M8</p> <p>CUT EXTRA CHAIN</p>	<p>DET 6</p> <p>M12x120</p> <p>Ø24/12 904801</p> <p>907621</p> <p>901958</p> <p>M8x35</p> <p>Ø24/13</p> <p>M12 NYLOC</p> <p>M8</p> <p>CUT EXTRA CHAIN</p>
<p>DET 7</p> <p>M12x40</p> <p>M12</p> <p>902012</p>	<p>DET 8</p> <p>NOTE: Aluminum thread fasten carefully.</p> <p>903388</p> <p>M8x30</p>	<p>DET 9</p> <p>NOTE: Aluminum thread fasten carefully.</p> <p>702850</p> <p>M8x30</p> <p>903388</p>
<p>DET 10</p> <p>902623</p> <p>M8</p> <p>Ø16/8.4</p> <p>Ø16/8.4</p> <p>M8x30</p>	<p>DET 11</p> <p>M8x30</p> <p>Ø16/8.4</p> <p>M8</p>	<p>DET 12</p> <p>902624</p>

<p>DET 13</p> <p>M10x50</p> <p>Ø20/10.5</p> <p>M10</p>	<p>DET 14</p> <p>M10x40</p> <p>Ø20/10.5</p> <p>M10</p>	<p>DET 15</p> <p>M10x40 (901487)</p> <p>Ø20/10.5x2 (901302)</p> <p>M10 (909637)</p>
<p>DET 16</p> <p>903572</p> <p>903567</p> <p>M8x60</p> <p>GLUE</p>	<p>DET 17</p> <p>M12x90 901994</p> <p>M12</p>	<p>DET 18</p> <p>M12x120</p> <p>903574</p> <p>M12</p>
<p>DET 19</p> <p>M12x90</p> <p>M12</p> <p>902157</p>	<p>DET 20</p> <p>M12</p> <p>901994</p> <p>M12x120</p>	<p>DET 21</p> <p>M8x60</p> <p>M8</p> <p>905067</p>
<p>DET 22</p> <p>703062</p> <p>M8x60</p> <p>GLUE</p>	<p>DET 23</p> <p>M8x60</p> <p>703062</p> <p>GLUE</p>	<p>DET 24</p> <p>901958</p> <p>903577</p>

DET 25-26

M12x120

904100

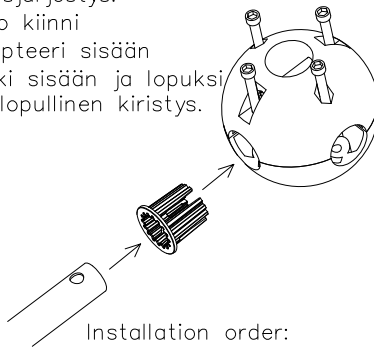
904015

904102

Kun putken pää osuu adapterin kynsiin, adapteri tiukentuu paikoilleen.

Asennusjärjestys:

- 1) Pallo kiinni
- 2) Adapteri sisään
- 3) putki sisään ja lopuksi pallon lopullinen kiristys.



Installation order:

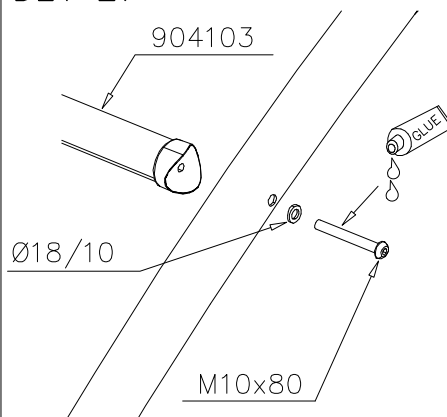
- 1) Close the ball
- 2) Insert adapter
- 3) Insert tube and tighten screws.

DET 27

904103

Ø18/10

M10x80



DET 28

906621

M12x35
(909347)

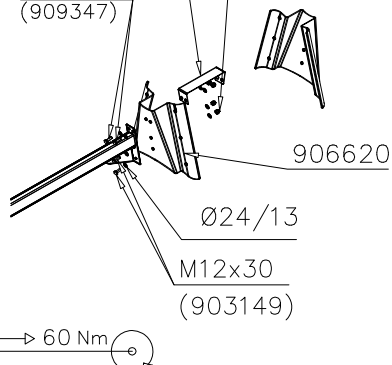
M12

906620

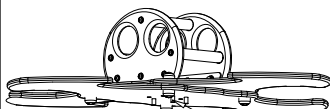
Ø24/13

M12x30
(903149)

M12 → 60 Nm



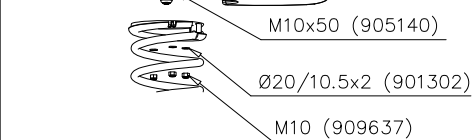
DET 29



M10x50 (905140)

Ø20/10.5x2 (901302)

M10 (909637)



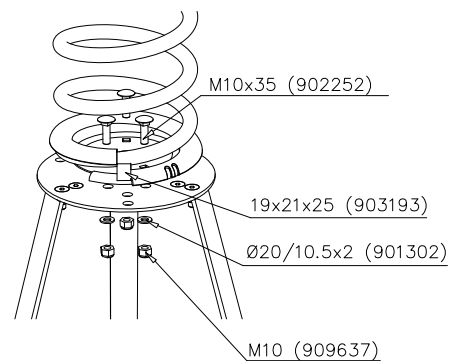
DET 30

M10x35 (902252)

19x21x25 (903193)

Ø20/10.5x2 (901302)

M10 (909637)



DET 31

M12 → 60 Nm

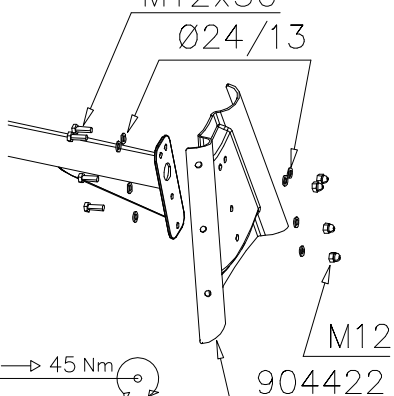
M12x30

Ø24/13

M10 → 45 Nm

M12

904422



DET 32

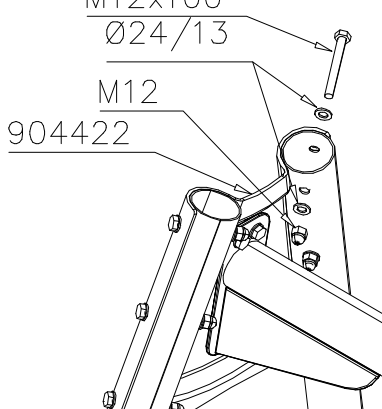
M12 → 60 Nm

M12x100

Ø24/13

M12

904422



DET 33

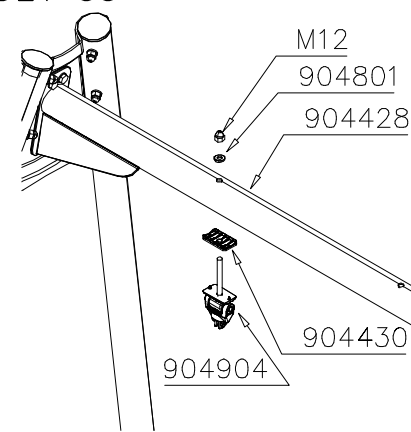
M12

904801

904428

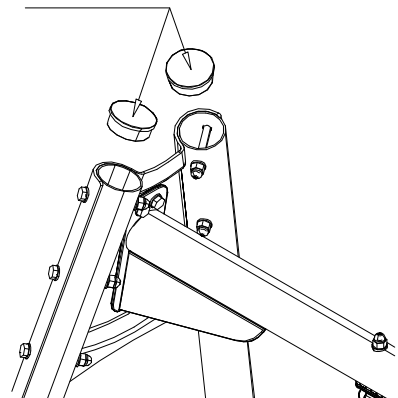
904430

904904

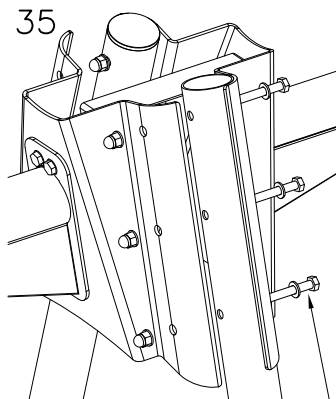


DET 34

904800

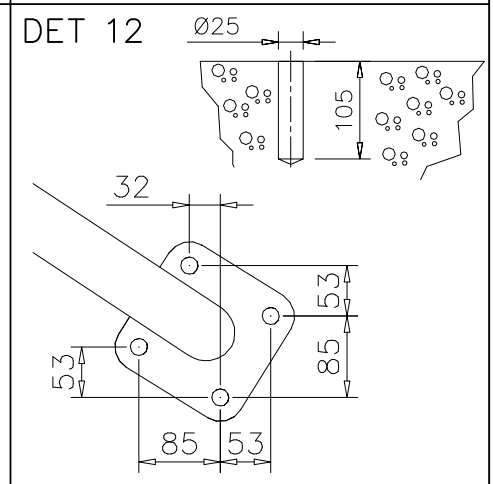
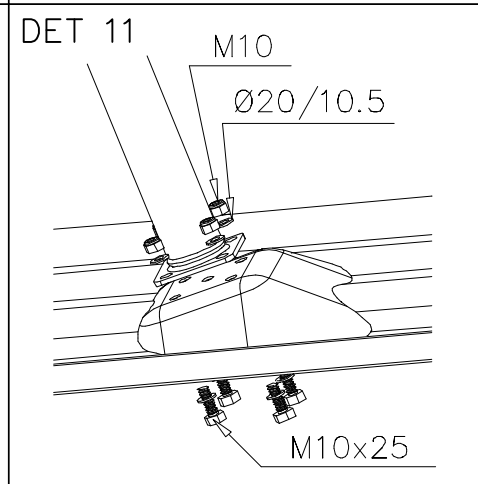
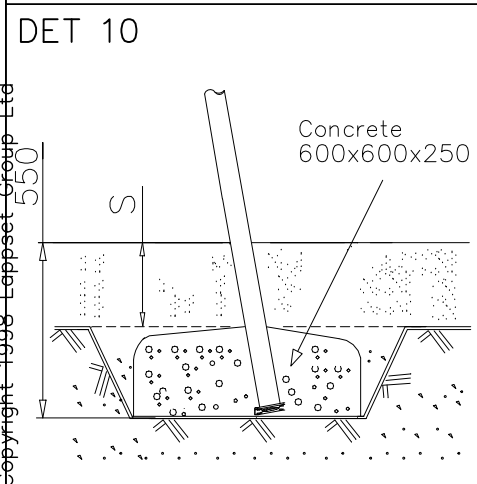
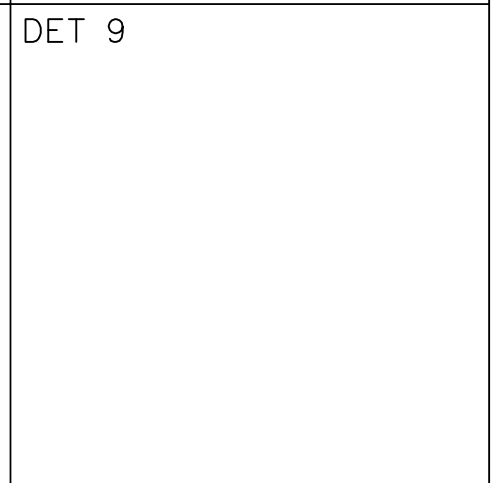
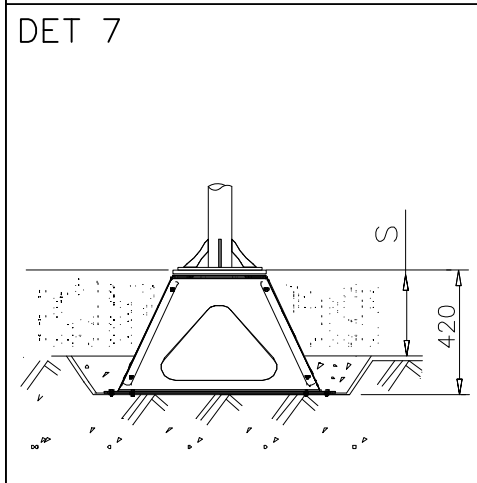
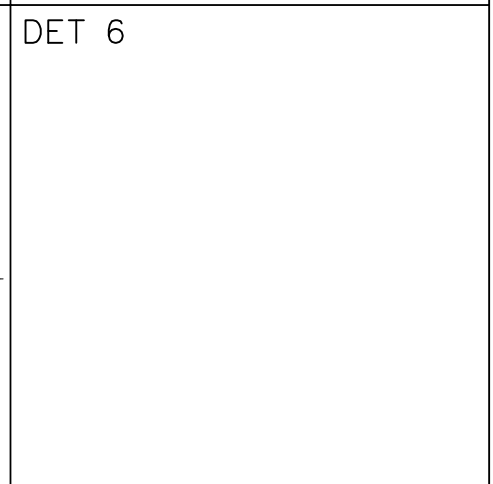
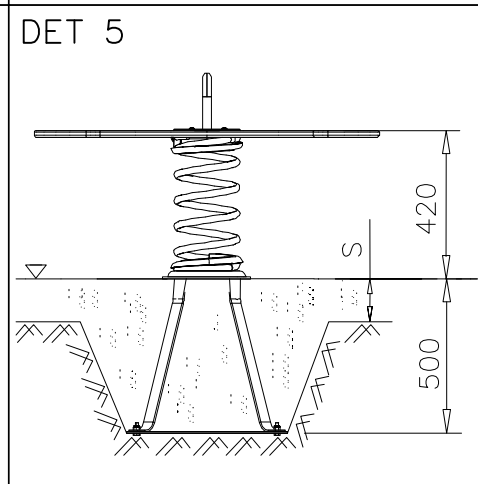
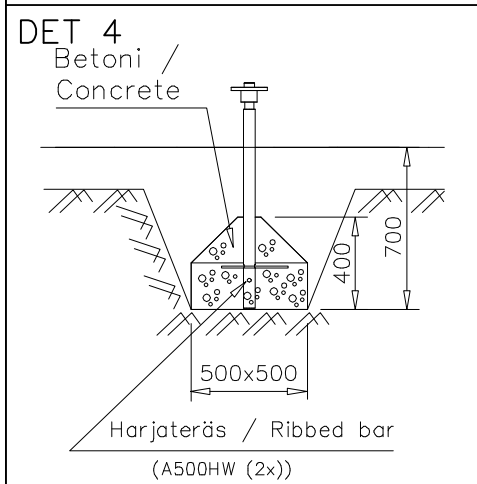
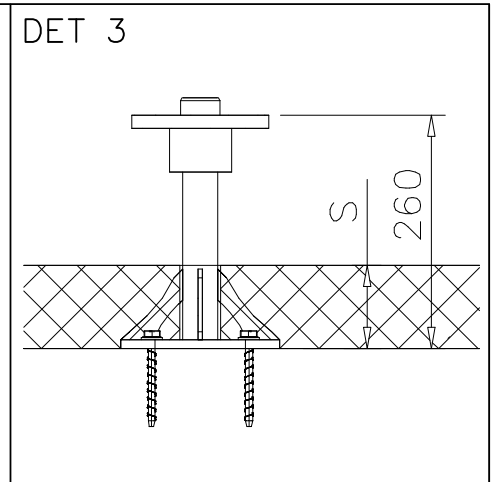
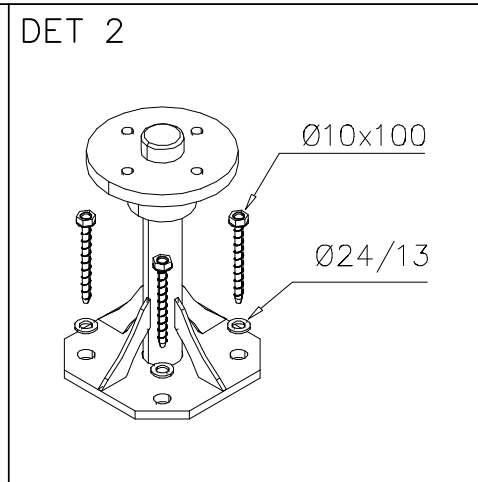
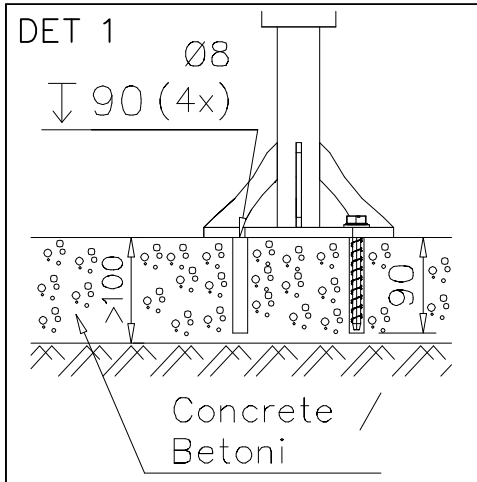


DET 35

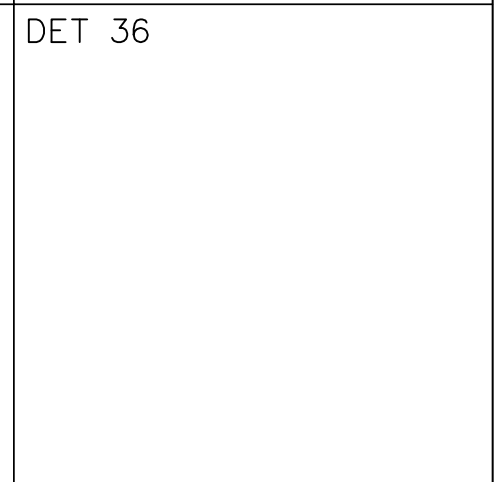
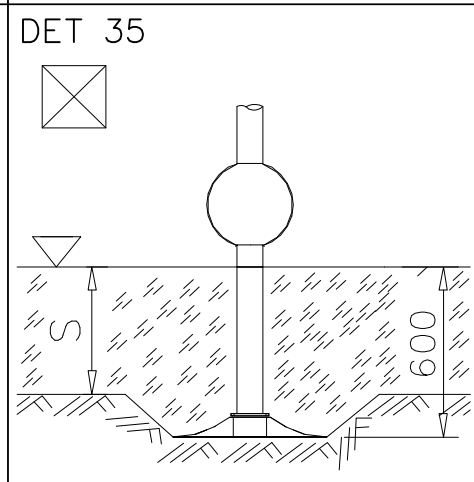
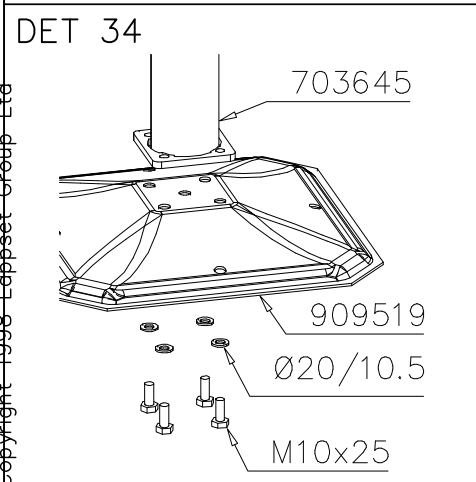
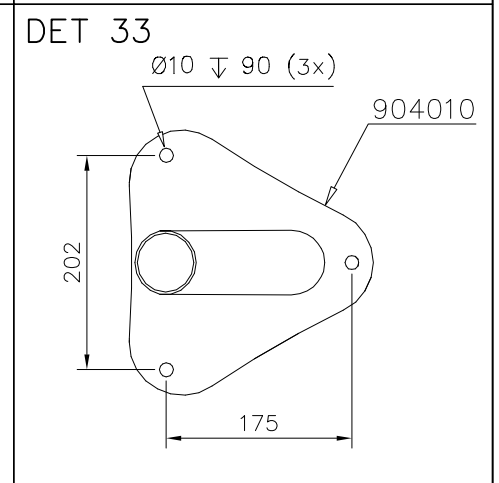
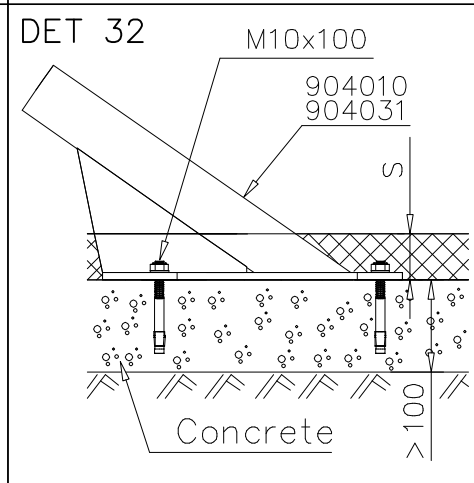
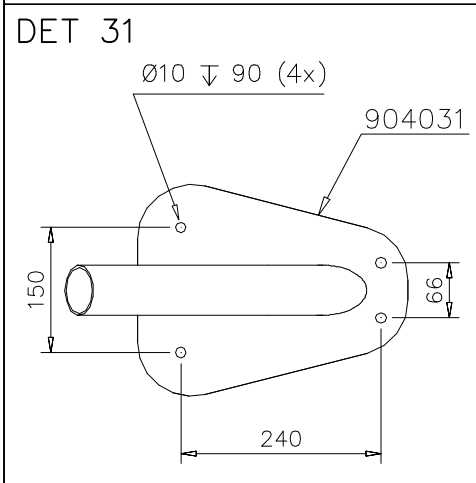
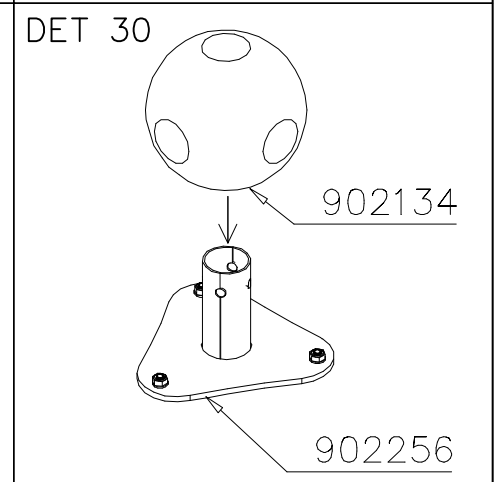
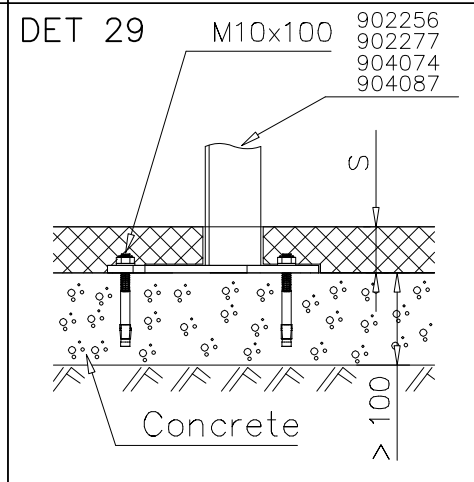
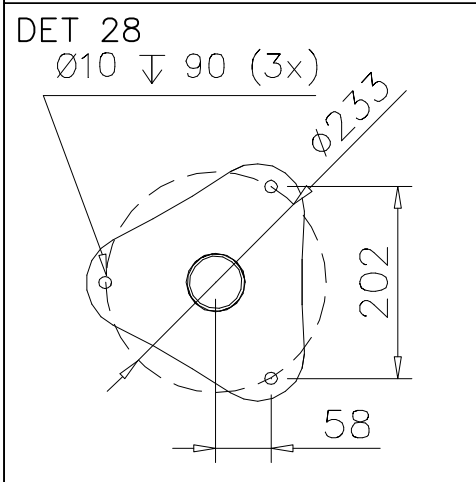
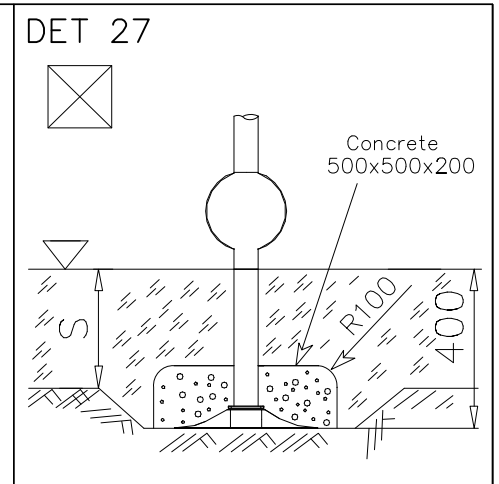
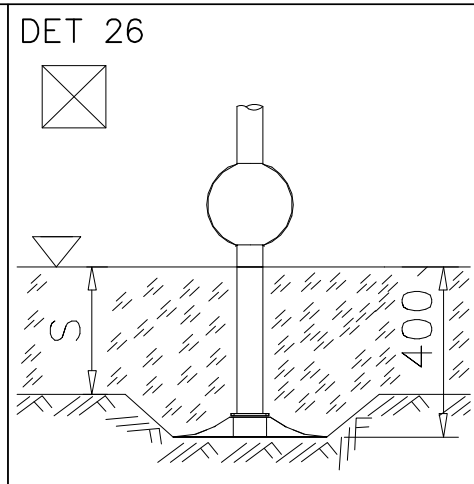
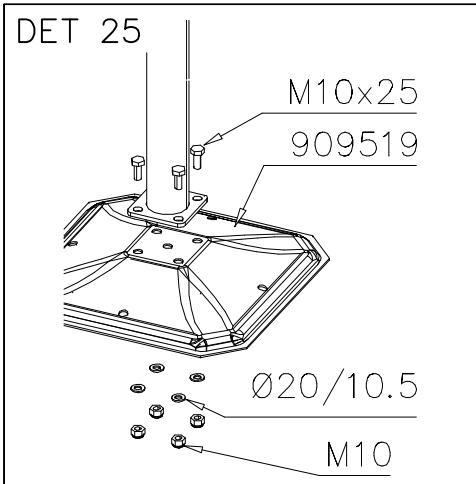


M12x110

DET 36

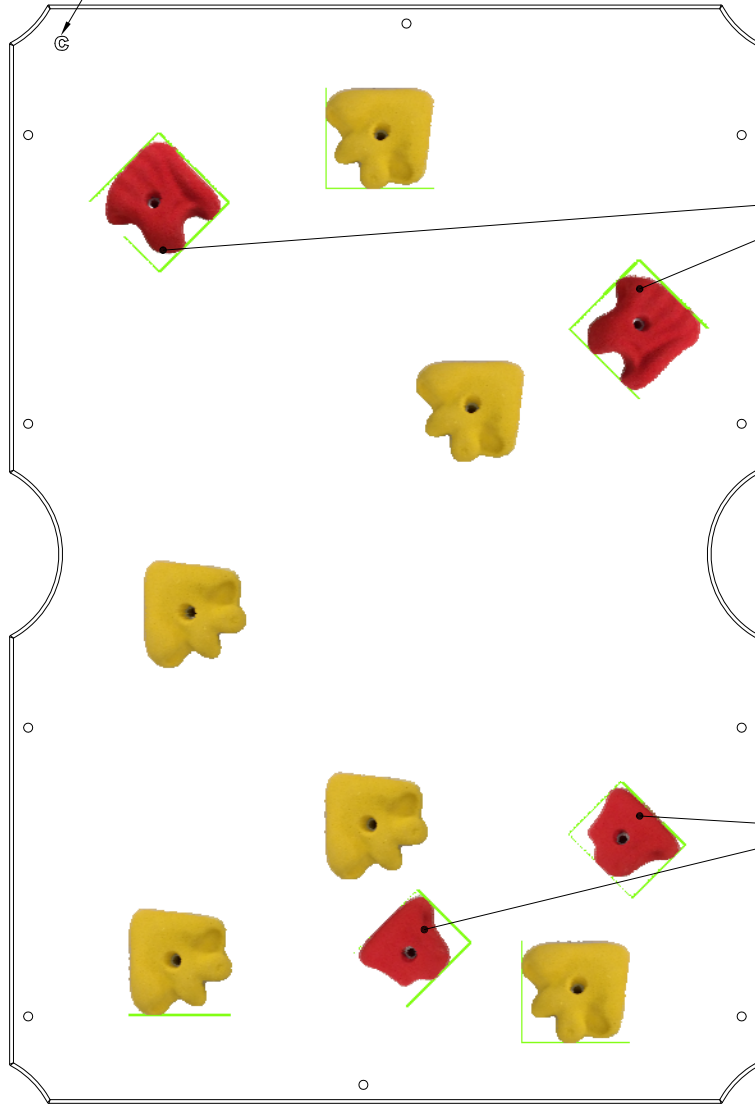


<p>DET 13</p> <p>140 Nm</p> <p>M16x110 Ø30/17x3</p>	<p>DET 14</p> <p>M12x35</p> <p>Ø24/13</p> <p>M12</p>	<p>DET 15</p> <p>Concrete 500x500x200</p> <p>600</p> <p>Harjateräs / Ribbed bar (A500HW (2x))</p>
<p>DET 16</p> <p>M12x60</p> <p>Ø24/13</p> <p>M12</p>	<p>DET 17</p> <p>M12x35</p> <p>Ø24/13</p> <p>M12</p>	<p>DET 18</p> <p>Concrete 500x500x200</p> <p>600</p> <p>Harjateräs / Ribbed bar (A500HW (2x))</p>
<p>DET 19</p> <p>ATT! Drilling can be done via hole in rotating flange.</p> <p>Ø8 ↓ 80 (4x)</p> <p>Concrete / Betoni</p> <p>>100</p>	<p>DET 20</p> <p>Ø10x100</p> <p>Ø24/13</p>	<p>DET 21</p> <p>110</p> <p>S</p>
<p>DET 22</p> <p>M10</p> <p>Ø20/10.5</p> <p>M10x40</p>	<p>DET 23</p> <p>Ø10 ↓ 90 (4x)</p> <p>>100</p> <p>S</p> <p>Betoni / Concrete</p> <p>Safety surface</p>	<p>DET 24</p> <p>M10</p> <p>M10x100</p>



C

Merkki osoittaa levyn asennon (kts. pääohje).
This mark indicates the position of the plate
(check main installation instruction).

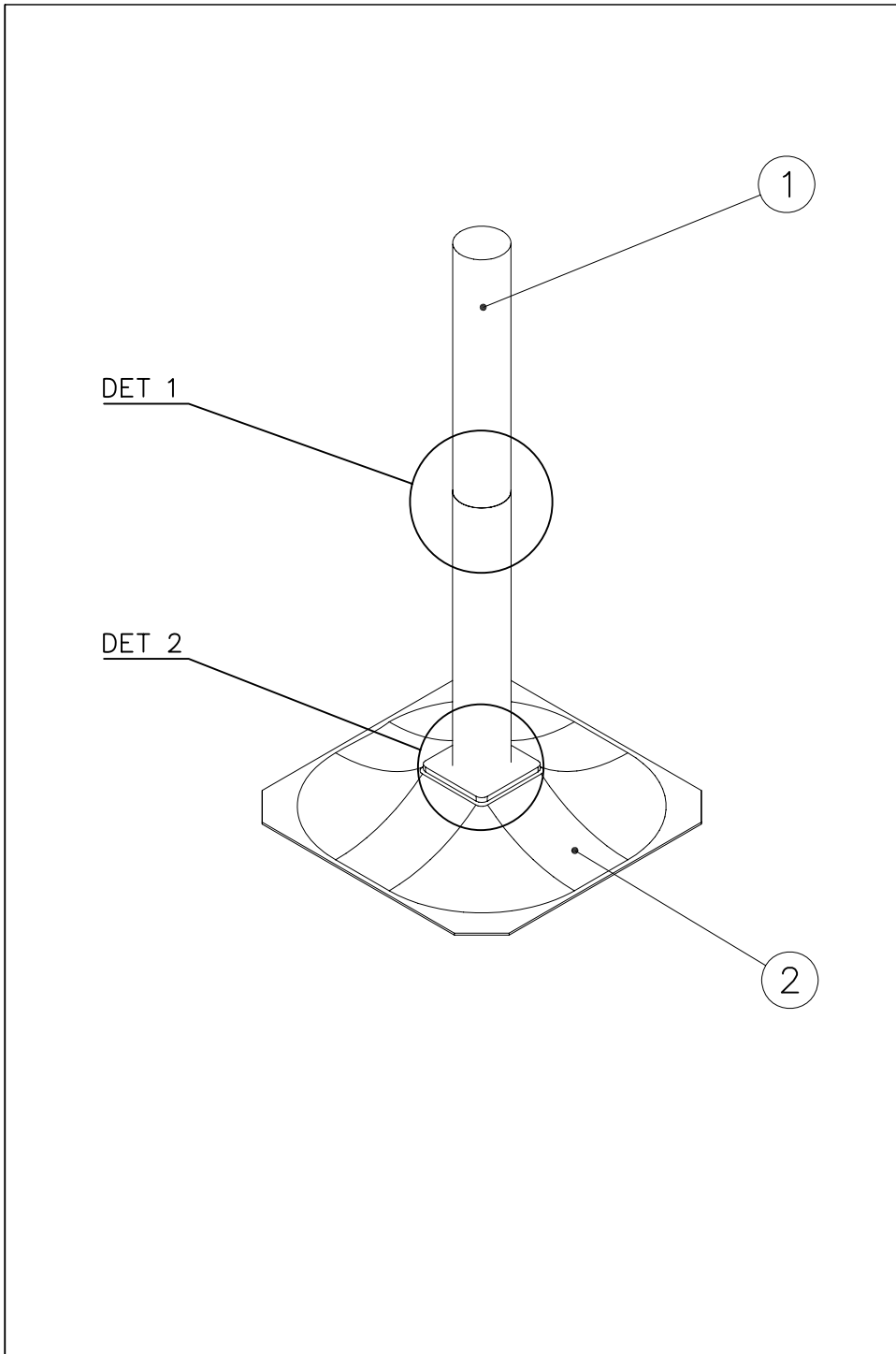


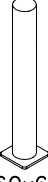
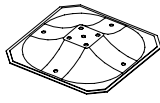
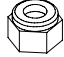

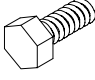
XXL YELLOW
ALL THE REST

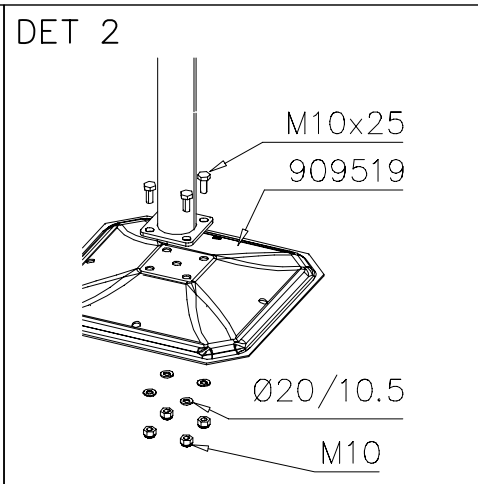
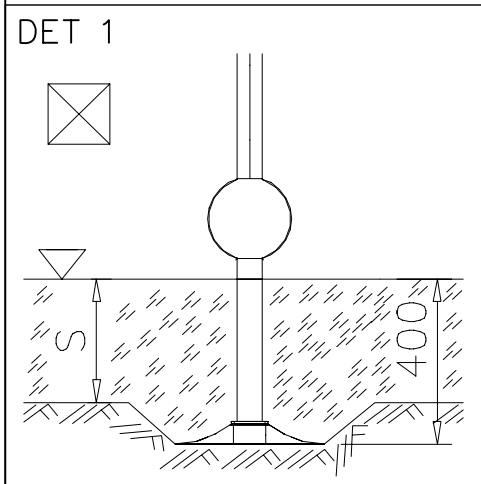
XXL RED

L RED

○ 704205	PCS ○ 704195	PCS 1	○ 902124	PCS 20	○ 980161	PCS 30	○ 902232	PCS 20	○ 902233	PCS 10	○ 905115	PCS 10
Mark C	D. GRAY		150x50x50		M10		M10x55		M10x30		Ø30	
	PCS ○ 905090	PCS 10	○ 901302	PCS 10	○ 904336	PCS 10	* ○ 904300	PCS 2	* ○ 904301	PCS 2	* ○ 904302	PCS 6
	Ø45		Ø20/10.5		Ø6x20		L RED		XXL RED		XXL YELLOW	



① 904034	PCS	② 909519	PCS
	1		1
Ø60x663		50x380x380	
③ 909637	PCS	④ 909638	PCS
	4		4
M10		Ø20/10,5	
⑤ 909639	PCS		PCS
	4		
M10x25			
	PCS		PCS
	PCS		PCS
	PCS		PCS



HUOM!

Otepalan asennus, säätö tai paikan vaihto.

Säätömahdollisuus (90°,180°,270°).

Jos asennetun otepalan suuntaa- tai paikkaa halutaan muuttaa.

Irrota otepalan kiinnityspultti ja otepala, käännä tai vaihda.

Siirrä tarvittaessa tappi oikeaan upotusreikään. Asenna avatut osat paikoilleen ja lopuksi kiinnitä muovitulppa Ø30 paikoilleen kaikkiin otekokoonpanoihin.

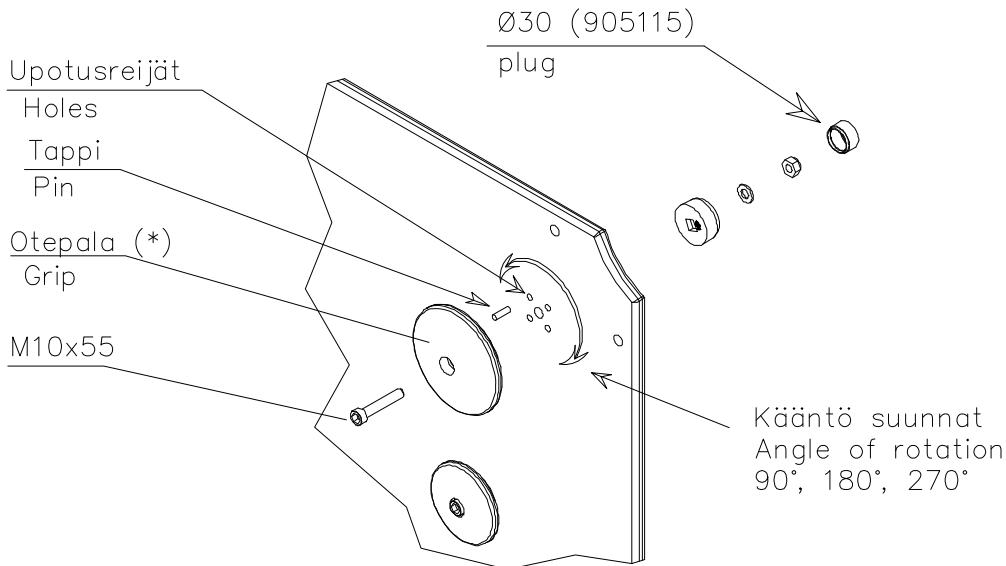
NOTE:

Grip positions and angles are adjustable (90°,180°270°).

Grip can be repositioned by removing the fastening bolt and pulling the grip off.

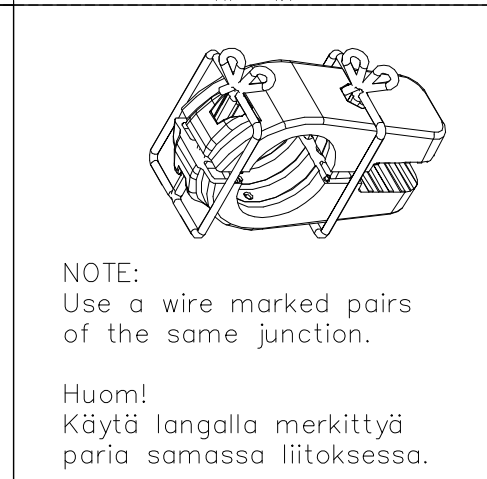
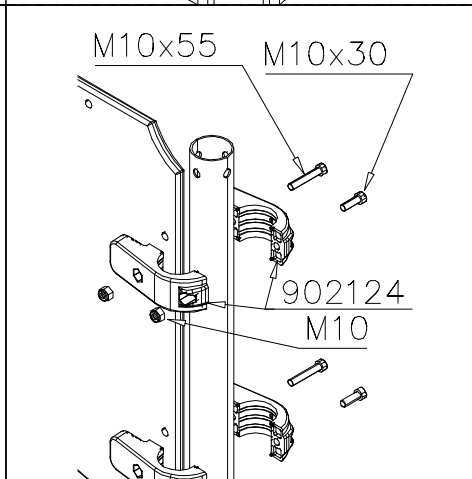
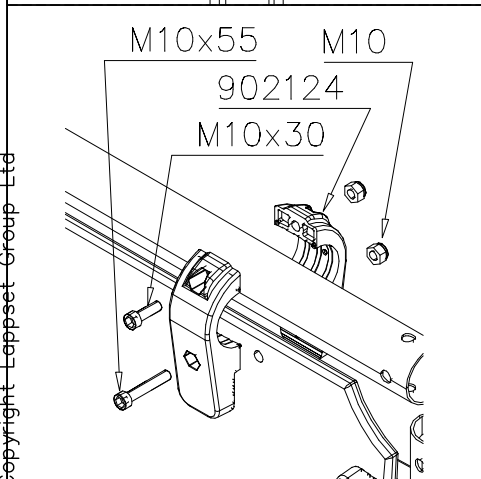
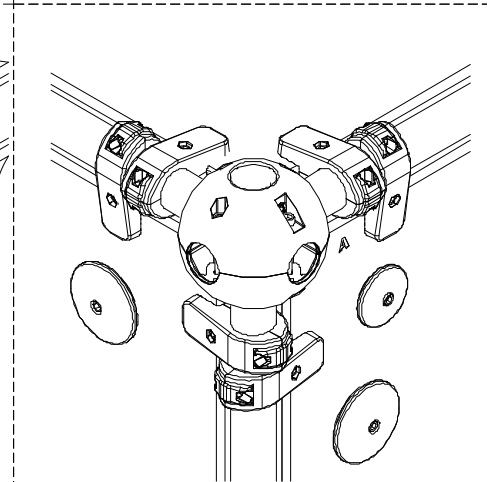
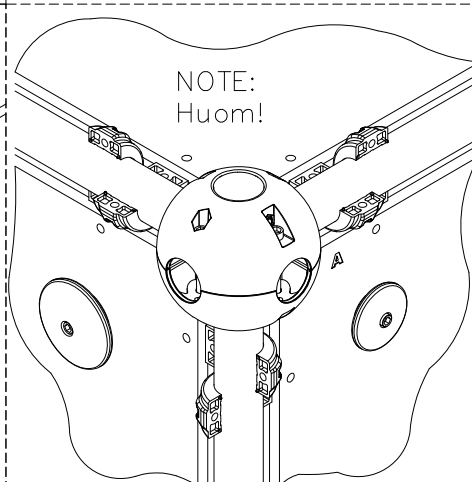
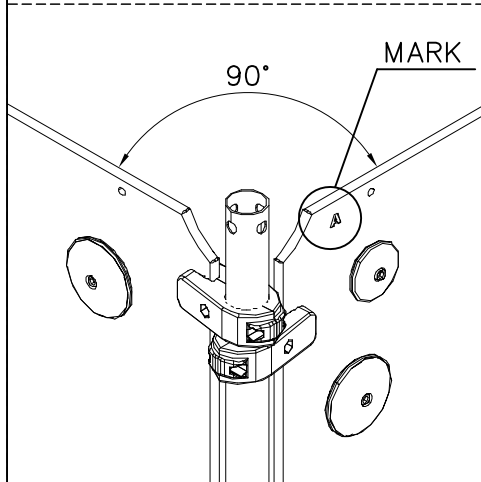
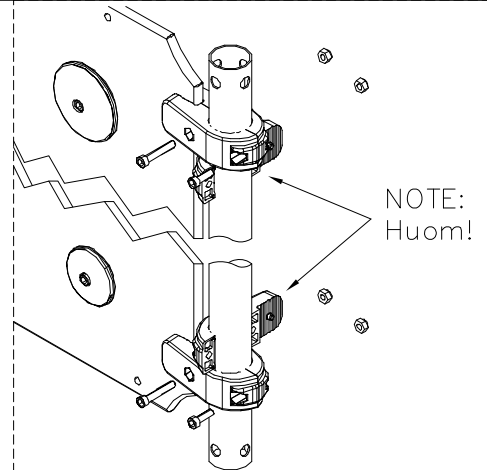
Securing pin can be repositioned when angle is changed.

After the parts are reassembled. Finish the assembly by fastening the cover plugs (Ø30).



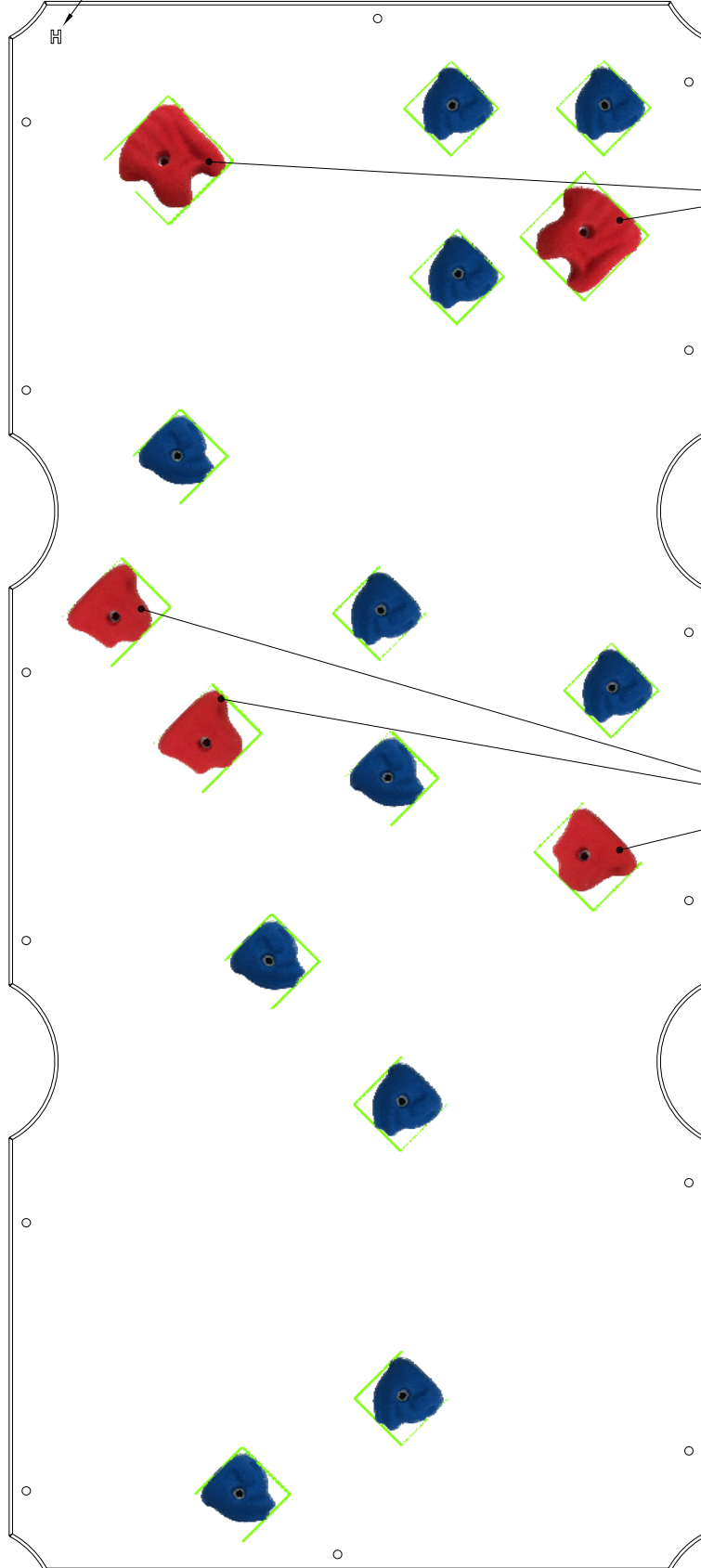
NOTE:
When two or more plates are assembled directly next to each other, the connectors of ALL the adjacent plates need to be placed between the first plate and the tube while fixing the first wall plate. The connectors cannot be fitted through the gap between tube and completely fixed wall plate.

Huom:
Kun yksi tai useampi levy asennetaan vierekkäin, tulee kaikkien vierekkäisten levyjen kiinnikkeet asettaa valmiiksi putken ja ensimmäisen levyn väliin. Kiinnityskappaleita ei voi pujottaa putken ja kiinnitetyn levyn välistä jälkeenpäin.



Merkki osoittaa levyn asennon (kts. pääohje).
This mark indicates the position of the plate
(check main installation instruction).



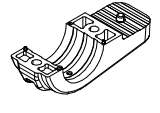
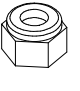
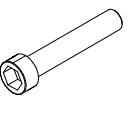
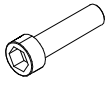
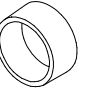
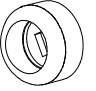

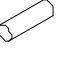
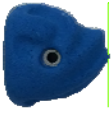


H



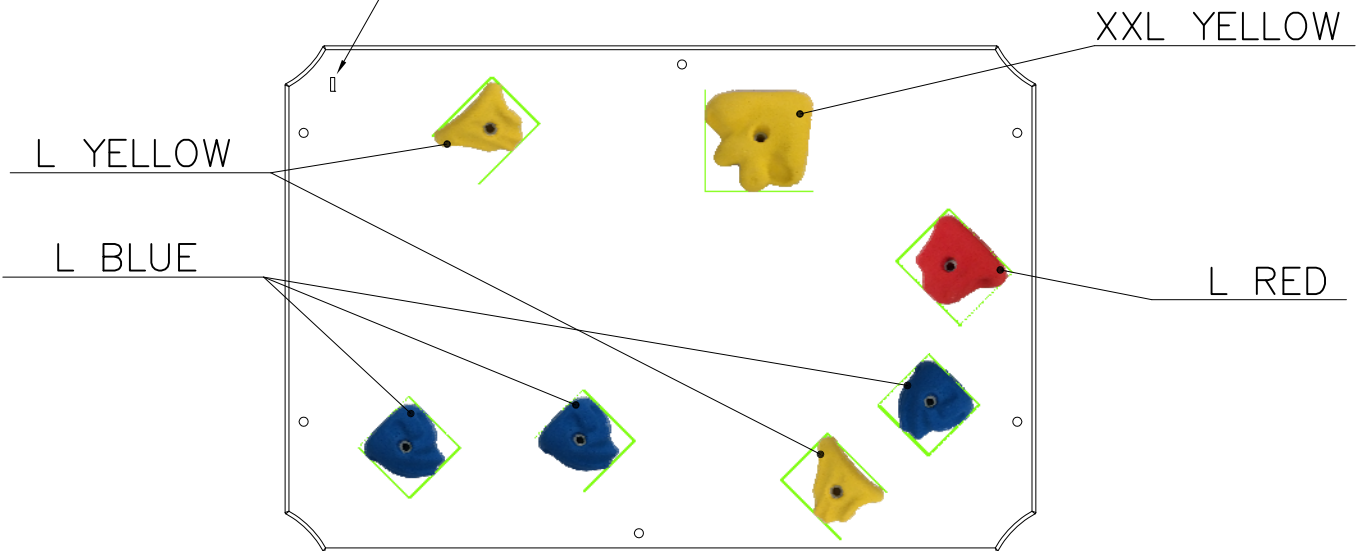
XXL RED

L BLUE
ALL THE REST

L RED

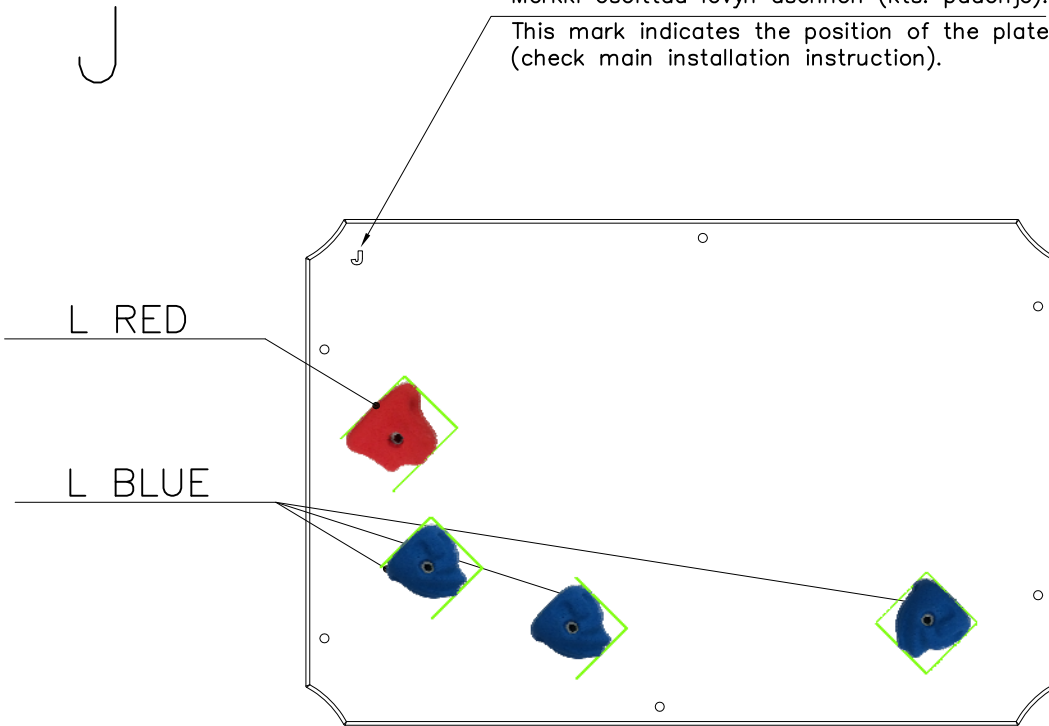
 Mark H	PCS  YELLOW	PCS 1	 150x50x50	PCS 28	 M10	PCS 44	 M10x55	PCS 30	 M10x30	PCS 14	 Ø30	PCS 16
	PCS  Ø45	PCS 16	 Ø20/10.5	PCS 16	 Ø6x20	PCS 16	 L Blue	PCS 11	 L RED	PCS 3	 XXL RED	PCS 2

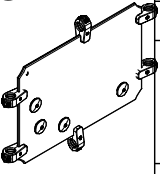
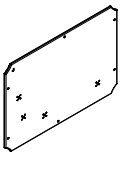
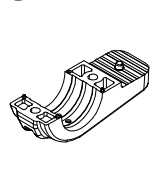
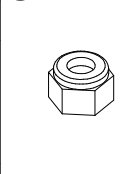
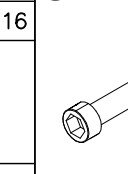
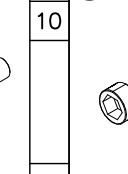
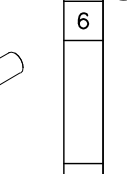
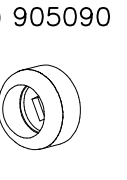
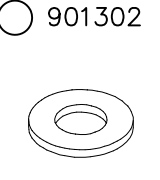
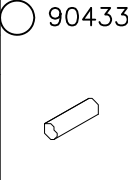
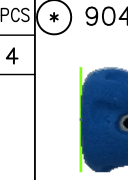
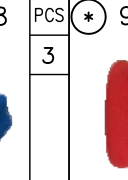
Merkki osoittaa levyn asennon (kts. pääohje).
This mark indicates the position of the plate (check main installation instruction).

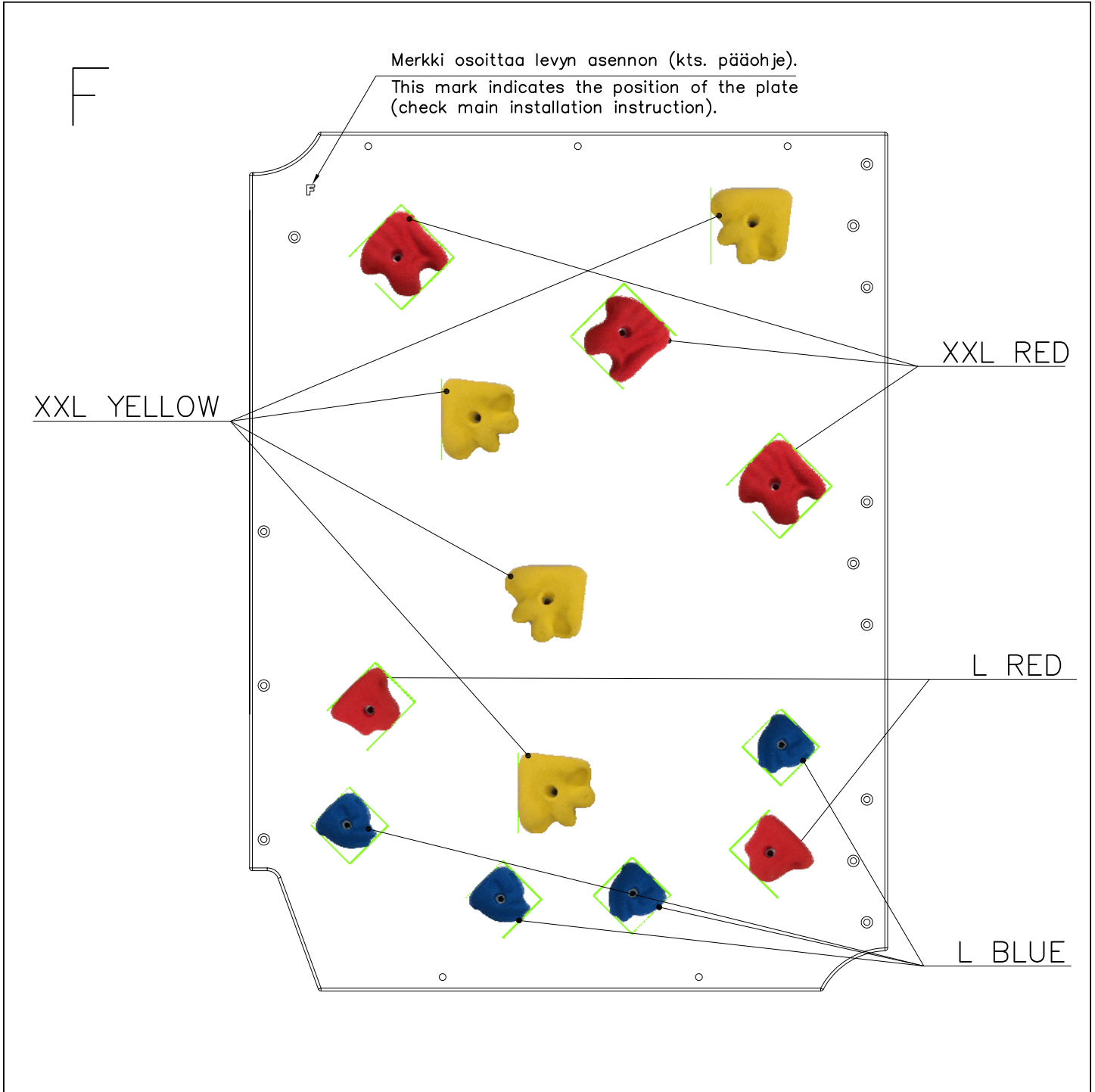


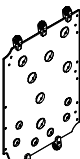

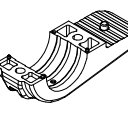

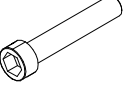
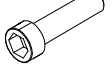

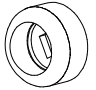





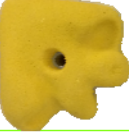
○ 703887	PCS	○ 703889	PCS	○ 902124	PCS	○ 980161	PCS	○ 902232	PCS	○ 902233	PCS	○ 905115	PCS
			1		12		19		13		6		7
Mark I		D. GRAY		150x50x50		M10		M10x55		M10x30		Ø30	
	PCS	○ 905090	PCS	○ 901302	PCS	○ 904336	PCS		PCS		PCS		PCS
			7		7		7						
		Ø45		Ø20/10.5		Ø6x20							
	PCS	○ 904298	PCS	○ 904299	PCS	○ 904300	PCS	○ 904302	PCS		PCS		PCS
			3		2		1		1				
		L BLUE		L YELLOW		L RED		XXL YELLOW					

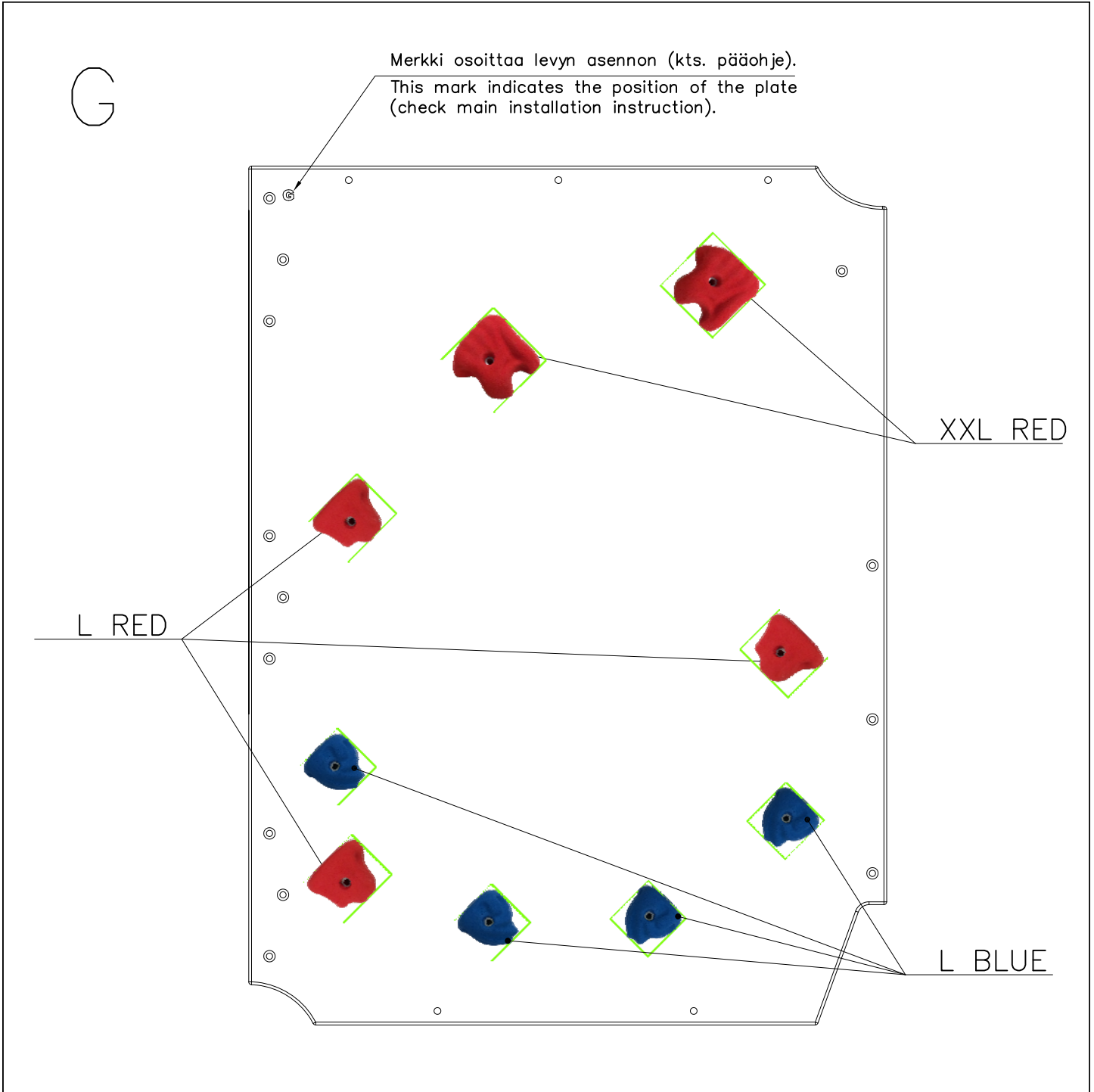
Merkki osoittaa levyn asennon (kts. pääohje).
This mark indicates the position of the plate (check main installation instruction).



○ 703888	PCS 703890	PCS 902124	PCS 980161	PCS 902232	PCS 902233	PCS 905115
						
Mark J	YELLOW	150x50x50	M10	M10x55	M10x30	Ø30
PCS 905090	PCS 901302	PCS 904336	PCS * 904298	PCS * 904300	PCS	PCS
						
Ø45	Ø20/10.5	Ø6x20	L BLUE	L RED		

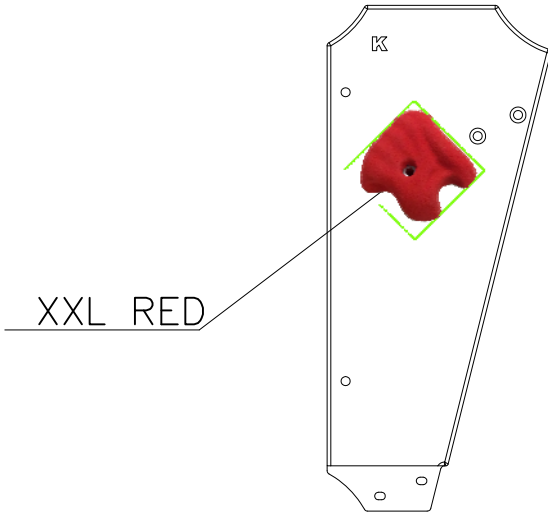


○ 703869	PCS	703866	PCS	○ 902124	PCS	○ 980161	PCS	○ 902232	PCS	○ 902233	PCS	○ 905115	PCS
			1		10		23		18		5		13
Mark F		YELLOW		150x50x50		M10		M10x55		M10x30		Ø30	
○ 905090	PCS	901302	PCS	○ 904336	PCS	* 904298	PCS	* 904300	PCS	* 904301	PCS	* 904302	PCS
	13		13		13		4		2		3		4
Ø45		Ø20/10.5		Ø6x20		L Blue		L RED		XXL RED		XXL YELLOW	

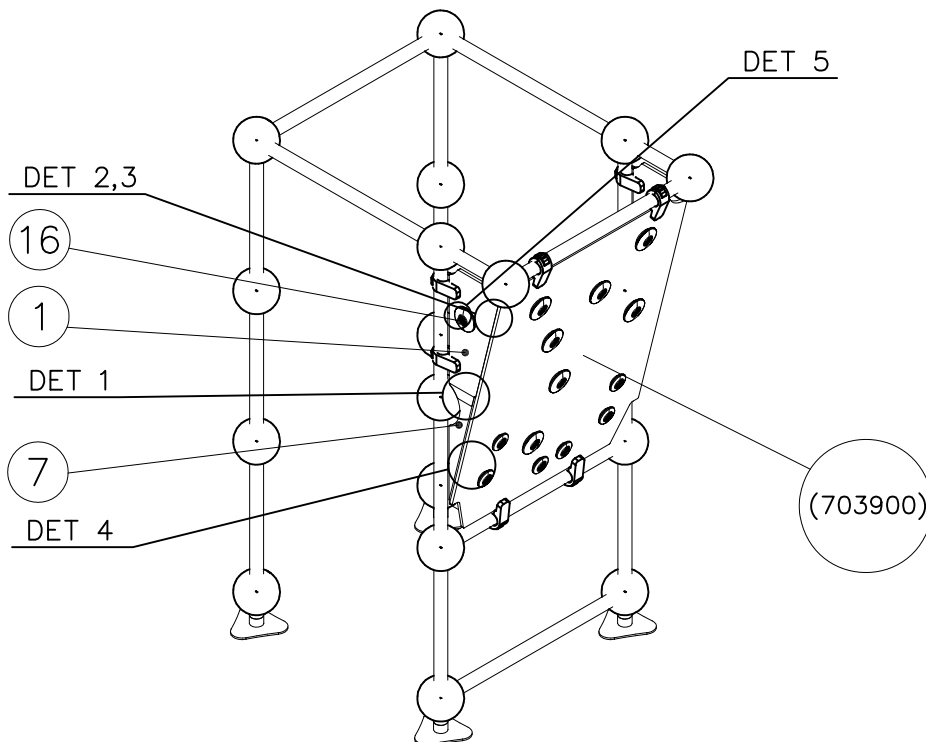


○ 703868	PCS 703867	PCS 902124	PCS 980161	PCS 902232	PCS 902233	PCS 905115
Mark G	D. GRAY	150x50x50	M10	M10x55	M10x30	Ø30
○ 905090	PCS 901302	PCS 904336	PCS * 904298	PCS * 904300	PCS * 904301	
Ø45	Ø20/10.5	Ø6x20	L BLUE	L RED	XXL RED	

K

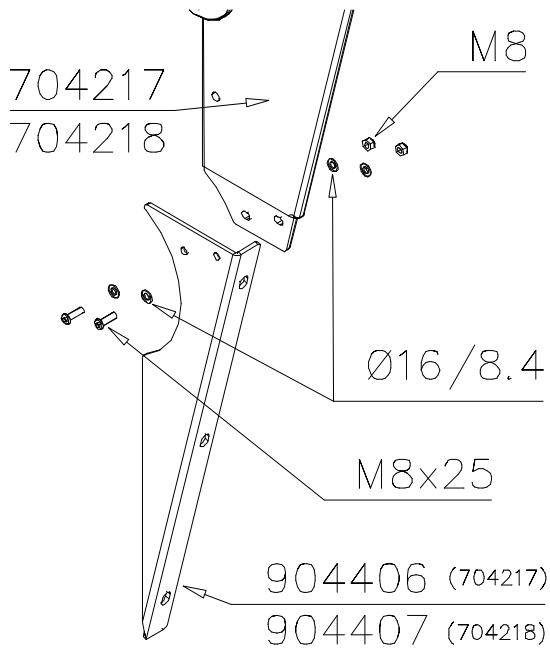


XXL RED

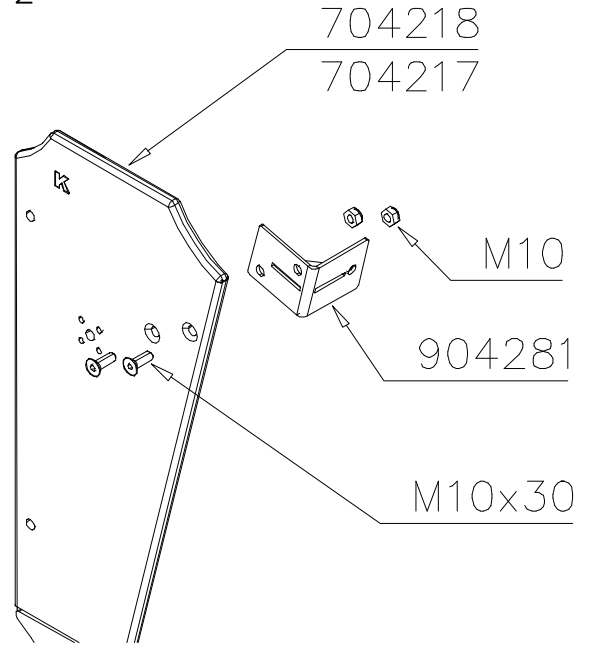


① 703880	PCS	② 900958	PCS
	1		6
D. GRAY		M10x30	
③ 902124	PCS	④ 902232	PCS
	4		3
150x50x50		M10x55	
⑤ 902233	PCS	⑥ 904281	PCS
	2		1
M10x30			
⑦ 904407	PCS	⑧ 905115	PCS
	1		1
Left		Ø30	
⑨ 909256	PCS	⑩ 909850	PCS
	4		2
Ø16/8.4x1.6		M8x25	
⑪ 980160	PCS	⑫ 980161	PCS
	2		10
M8		M10	
⑬ 905090	PCS	⑭ 901302	PCS
	1		1
Ø45		Ø20/10.5	
⑮ 904336	PCS	⑯ 904301	PCS
	1		1
Ø6x20		XXL RED	

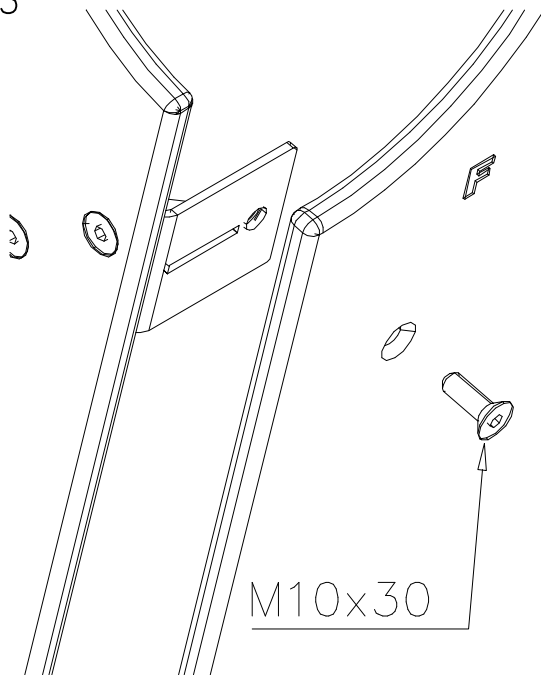
DET 1



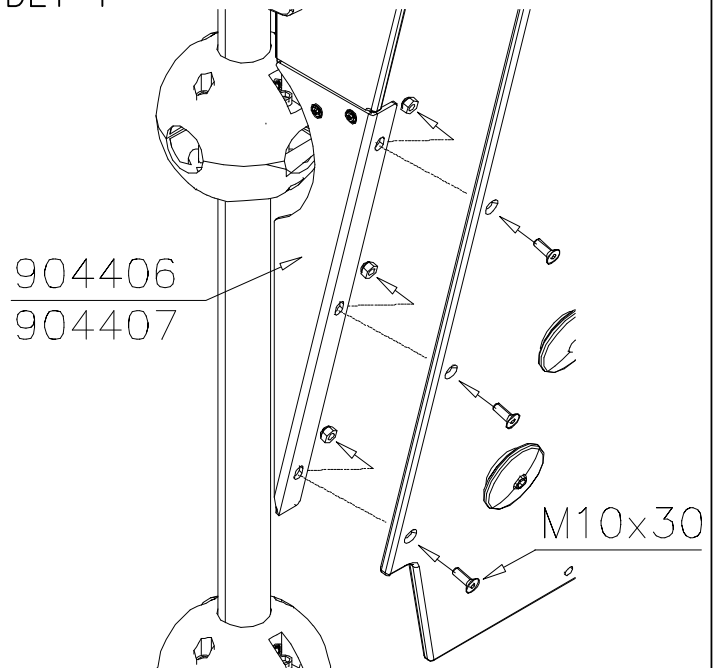
DET 2



DET 3



DET 4



DET 5

HUOM!

Otepalan asennus, säätö tai paikan vaihto.

Säätömahdollisuus (90°,180°,270°).

Jos asennetun otepalan suuntaa- tai paikkaa halutaan muuttaa.

Irrota otepalan kiinnityspultti ja otepala, käännä tai vaihda.

Siirrä tarvittaessa tappi oikeaan upotusreikään. Asenna avatut osat paikoilleen ja lopuksi kiinnitä muovitulppa Ø30 paikoilleen kaikkiin otekokoonpanoihin.

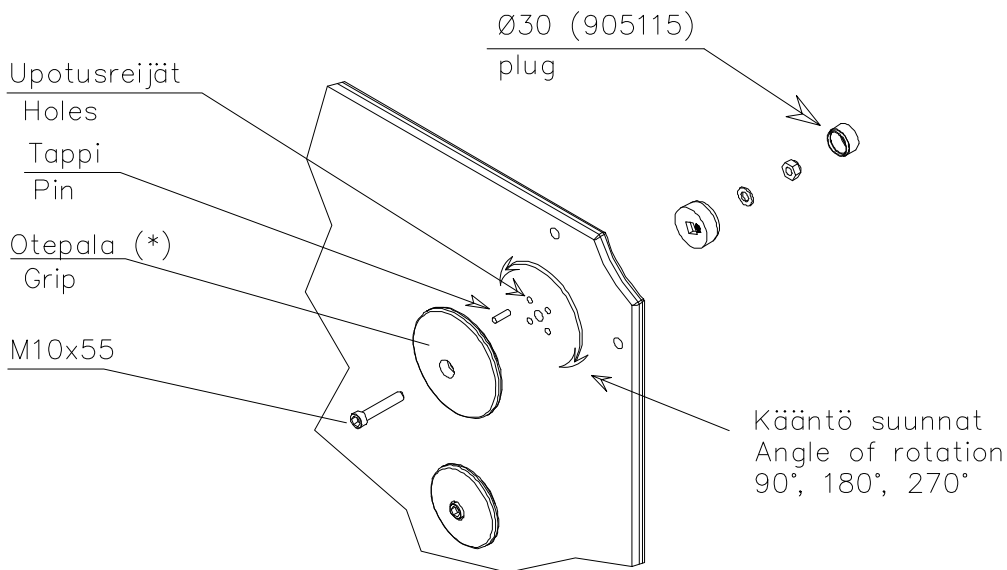
NOTE:

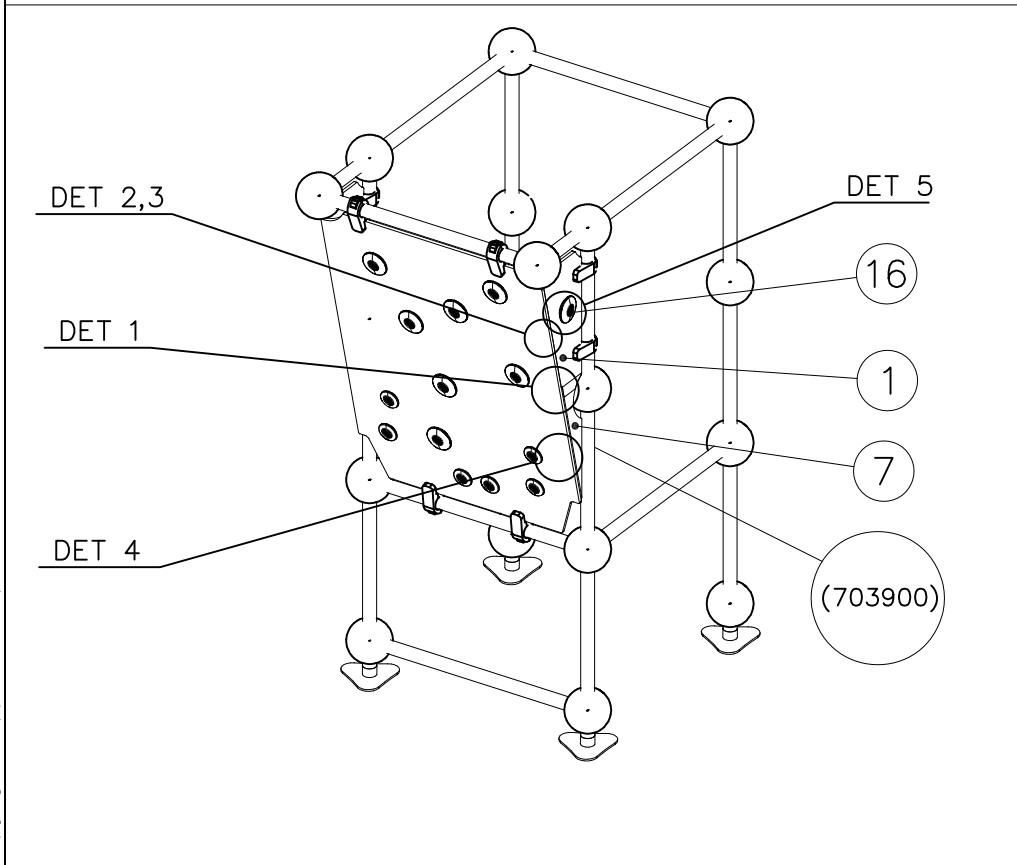
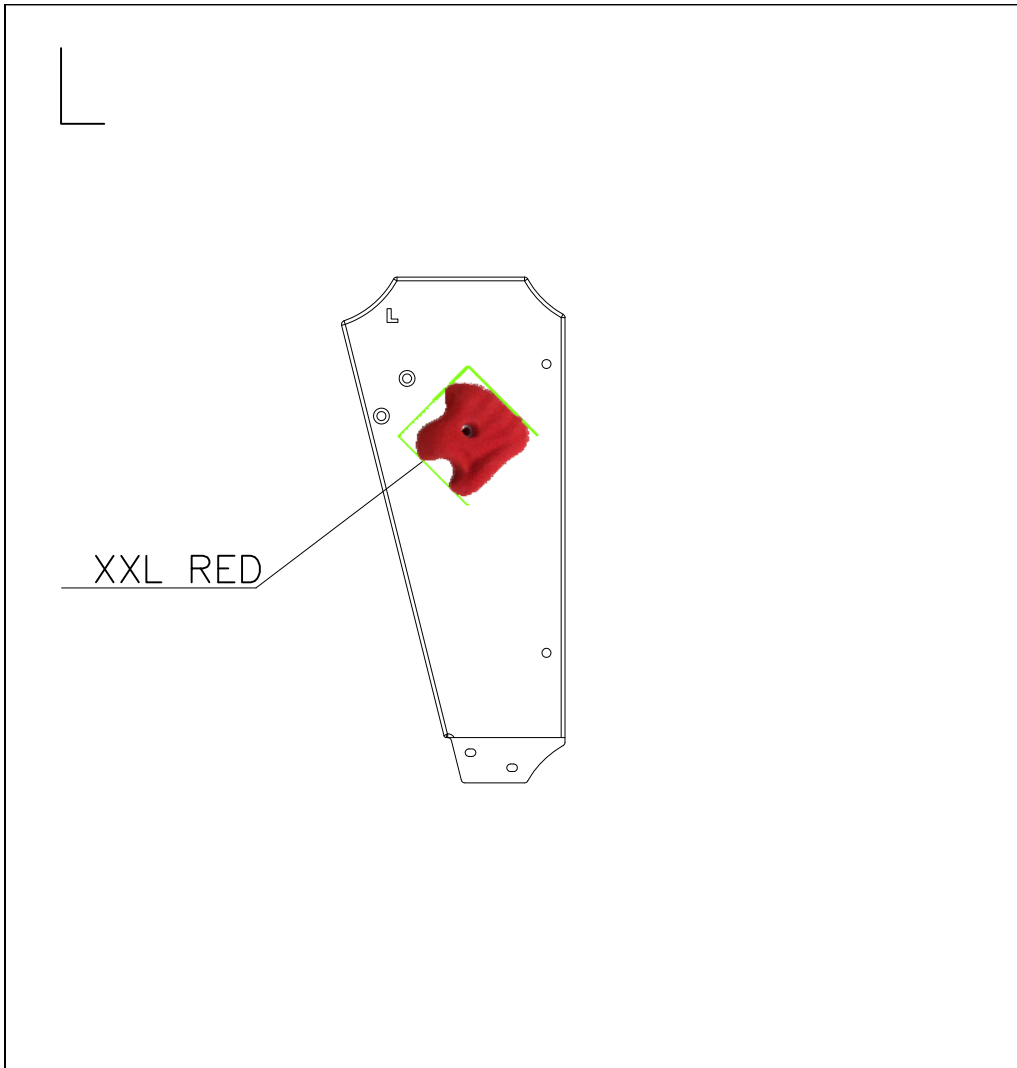
Grip positions and angles are adjustable (90°,180°270°).

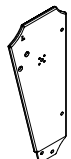
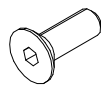
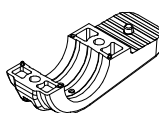
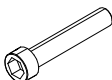
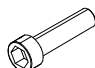
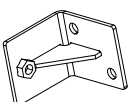

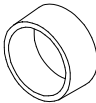

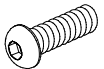
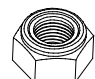
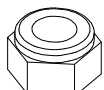
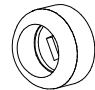
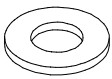


Grip can be repositioned by removing the fastening bolt and pulling the grip off.

Securing pin can be repositioned when angle is changed.

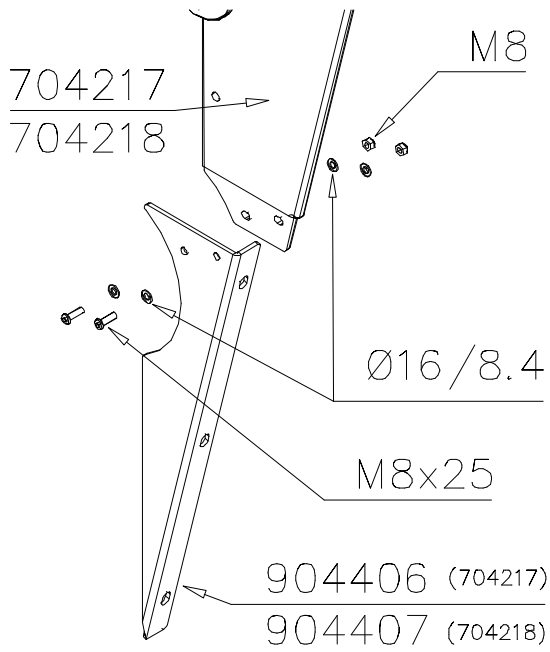
After the parts are reassembled. Finish the assembly by fastening the cover plugs (Ø30).



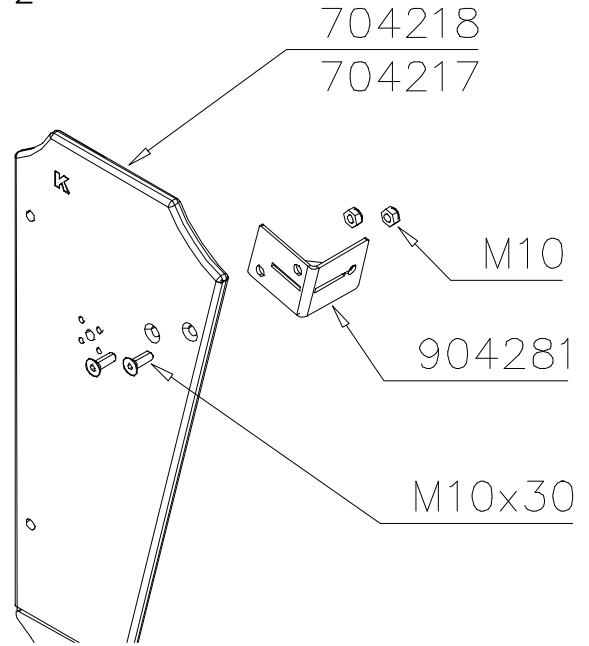


① 703879	PCS	② 900958	PCS
	1		6
YELLOW		M10x30	
③ 902124	PCS	④ 902232	PCS
	4		3
150x50x50		M10x55	
⑤ 902233	PCS	⑥ 904281	PCS
	2		1
M10x30			
⑦ 904406	PCS	⑧ 905115	PCS
	1		1
Right		Ø30	
⑨ 909256	PCS	⑩ 909850	PCS
	4		2
Ø16/8.4x1.6		M8x25	
⑪ 980160	PCS	⑫ 980161	PCS
	2		10
M8		M10	
⑬ 905090	PCS	⑭ 901302	PCS
	1		1
Ø45		Ø20/10.5	
⑮ 904336	PCS	⑯ 904301	PCS
	1		1
Ø6x20		XXL RED	

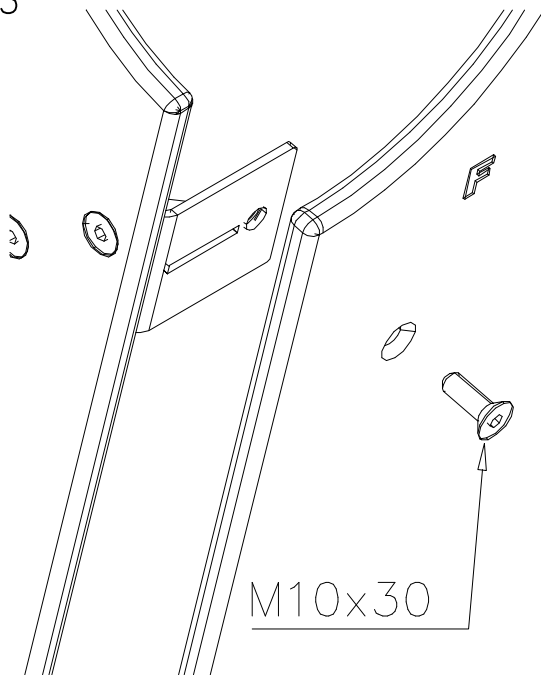
DET 1



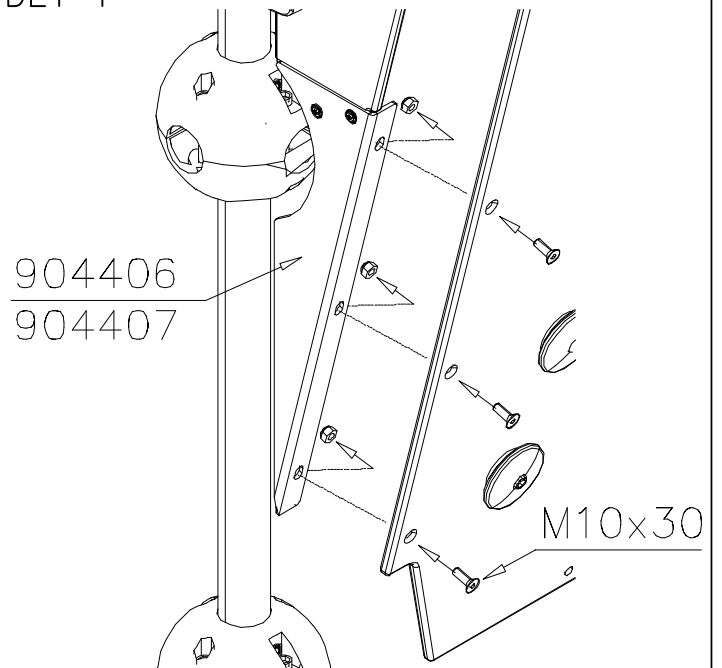
DET 2



DET 3



DET 4



DET 5

HUOM!

Otepalan asennus, säätö tai paikan vaihto.

Säätömahdollisuus (90°,180°,270°).

Jos asennetun otepalan suuntaa- tai paikkaa halutaan muuttaa.

Irrota otepalan kiinnityspultti ja otepala, käännä tai vaihda.

Siirrä tarvittaessa tappi oikeaan upotusreikään. Asenna avatut osat paikoilleen ja lopuksi kiinnitä muovitulppa Ø30 paikoilleen kaikkiin otekokoonpanoihin.

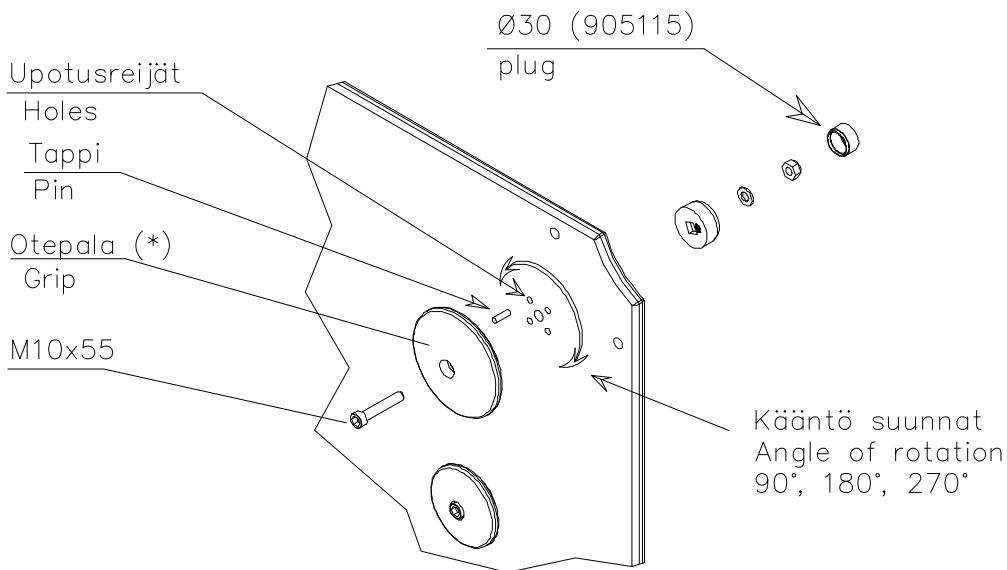
NOTE:

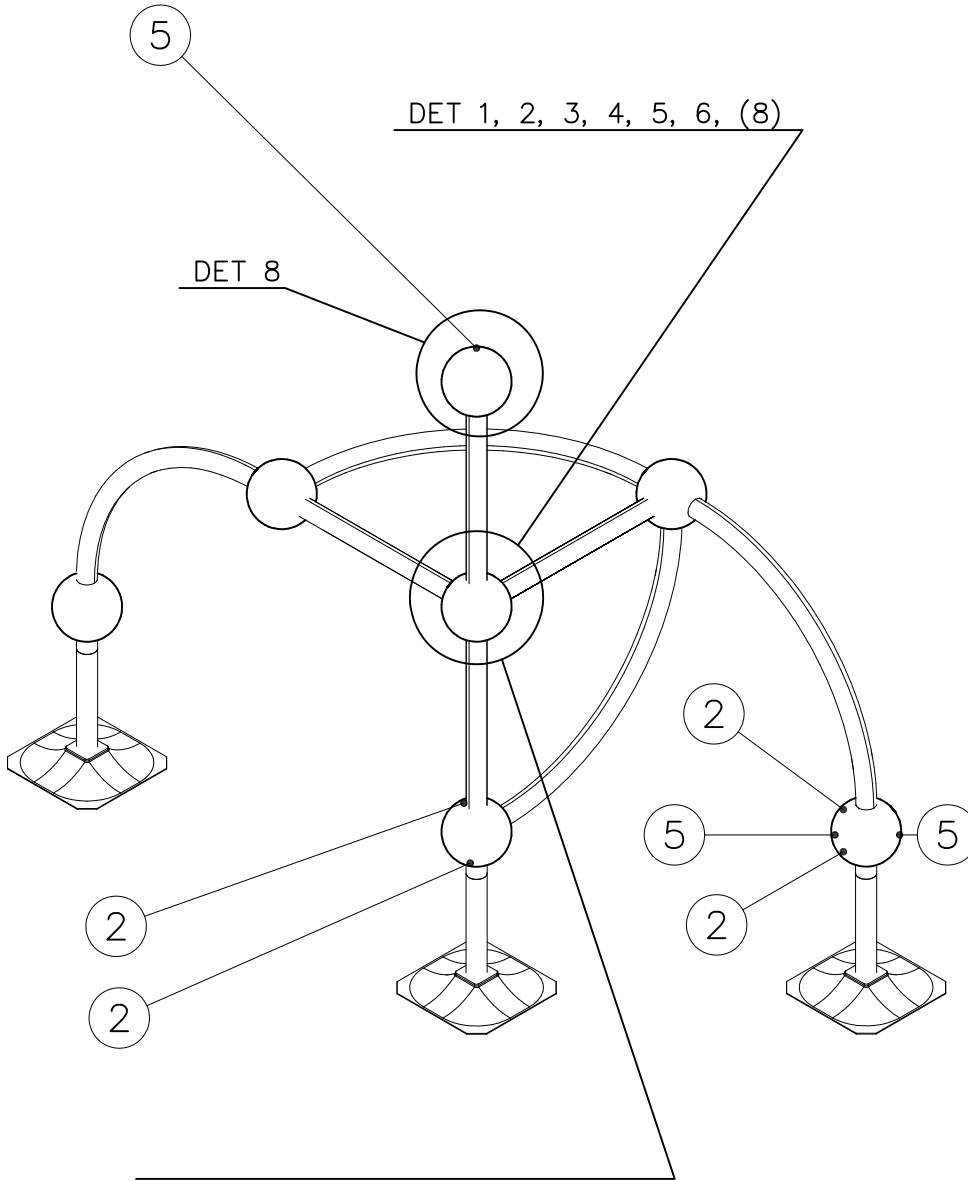
Grip positions and angles are adjustable (90°,180°270°).

Grip can be repositioned by removing the fastening bolt and pulling the grip off.

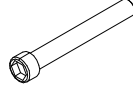

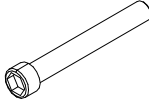

Securing pin can be repositioned when angle is changed.

After the parts are reassembled. Finish the assembly by fastening the cover plugs (Ø30).

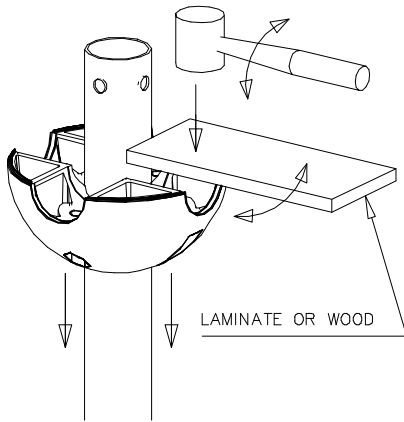




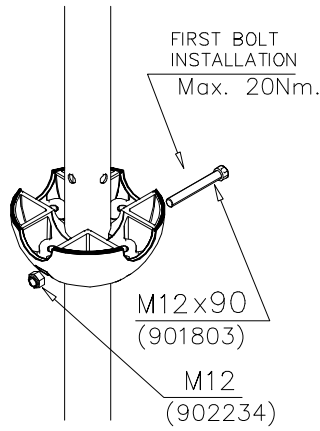
DO NOT TIGHTEN THE JOINTS UNTIL THE STRUCTURE IS COMPLETE.

① 901803	PCS	② 901994	PCS
	2		2
M12x90		Ø190	
③ 902096	PCS	④ 902234	PCS
	4		6
M12x120		M12	
	PCS		PCS
	PCS		PCS
	PCS		PCS
	PCS		PCS
	PCS		PCS
	PCS		PCS

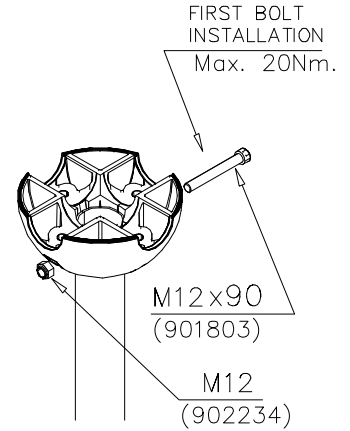
DET 1



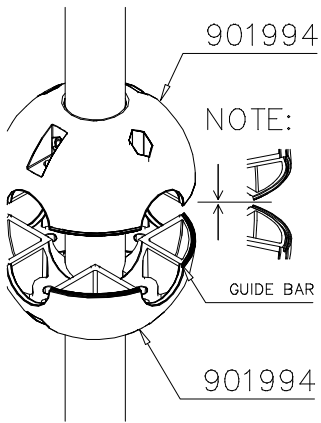
DET 2



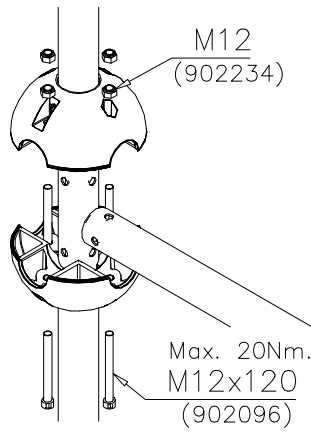
DET 3



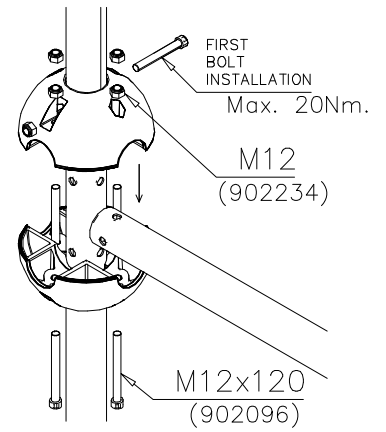
DET 4



DET 5

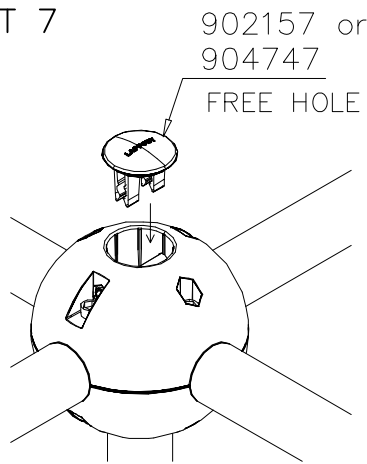


DET 6



REMEMBER
FINAL
TIGHTENING

DET 7



DET 8





Tuotekyltti tulee tuotteen mukana yhdellä seuraavista tavoista:

1) Metallinen tuotekyltti ja kiinnitysruuvit

- Kiinnitä tuotekyltti ruuveilla tolppaan noin 2 metrin korkeuteen kuvan 1 mukaisesti.

2) Tuotekylttitarra

- Puhdista maalattu metalli- tai vaneripinta pölystä ja kosteudesta. Liimaa tarra kuvan 2 mukaisesti.
- Huom. Älä kiinnitä tarraa karheapintaiseen laminaattiin tai maalattuun puuhun.

Vår produktmärkning levereras på ett av följande sätt:

1) Produktskylt i metall

- Fäst skylten med de medföljande skruvarna

2) Självhäftande produktetikett

- Rengör den pulverlackerade metallytan eller laminatyten så att den blir fri från smuts och fukt. Fäst etiketten enligt fig. 2.
- Obs! Fäst ej etiketten på detaljer med skrovlig yta eller på målat trä.

Product label is delivered by one of following ways:

1) Metal product label and screws

- Fasten the label with screws.

2) Label sticker

- Clean the painted metal or plywood surface from dirt and moisture. Fasten the sticker as shown in the figure 2.
- Note. Do not attach the sticker to rough surfaced laminate or painted wood.

La plaque d'informations produit est livrée sous l'une de ces 3 formes :

1) Plaque métallique et vis

- Fixez la plaque à l'aide des vis.

2) Etiquette autocollante

- Avant de coller l'étiquette, nettoyez le composant métallique peint ou la plaque de contreplaqué, de toute saleté. La surface doit être sèche (voir image 2).
- Attention, ne pas coller l'étiquette sur une surface lamellé-collée irrégulière ou sur du bois peint.

Die Auslieferung des Produktaufklebers erfolgt auf eine dieser Arten:

1) Produkt-Schild aus Metall incl. Schrauben

- Die Befestigung des Schildes erfolgt mittels der Schrauben.

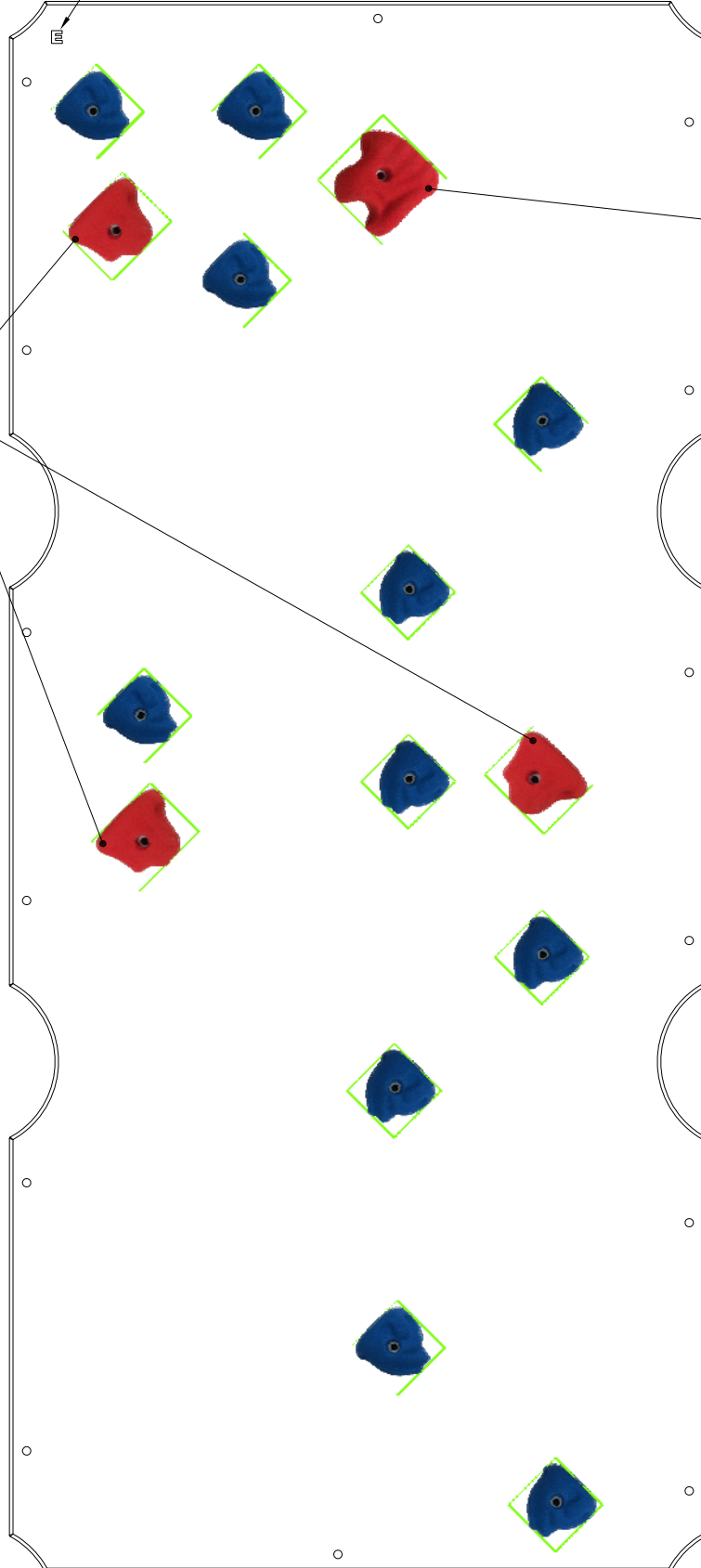
2) Aufkleber

- Entfernen Sie zunächst Schmutz und Feuchtigkeit vom lackierten Metall bzw. von der Holzoberfläche und bringen Sie den Aufkleber wie im Bild oben rechts beschrieben auf den gesäuberten Untergrund auf.
- Beachten Sie: Bringen Sie den Aufkleber nicht auf raues laminiertes oder lackiertes Holz an.

Merkki osoittaa levyn asennon (kts. pääohje).

This mark indicates the position of the plate
(check main installation instruction).



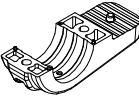

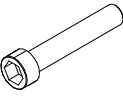
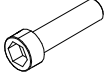
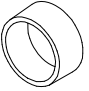
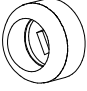

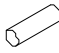
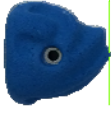


E



XXL RED

L RED

ALL THE REST
L BLUE

 704204 Mark E	 704200 D. GRAY	 902124 150x50x50	 980161 M10	 902232 M10x55	 902233 M10x30	 905115 Ø30
	 905090 Ø45	 901302 Ø20/10.5	 904336 Ø6x20	 904298 L Blue	 904300 L RED	 904301 XXL RED