

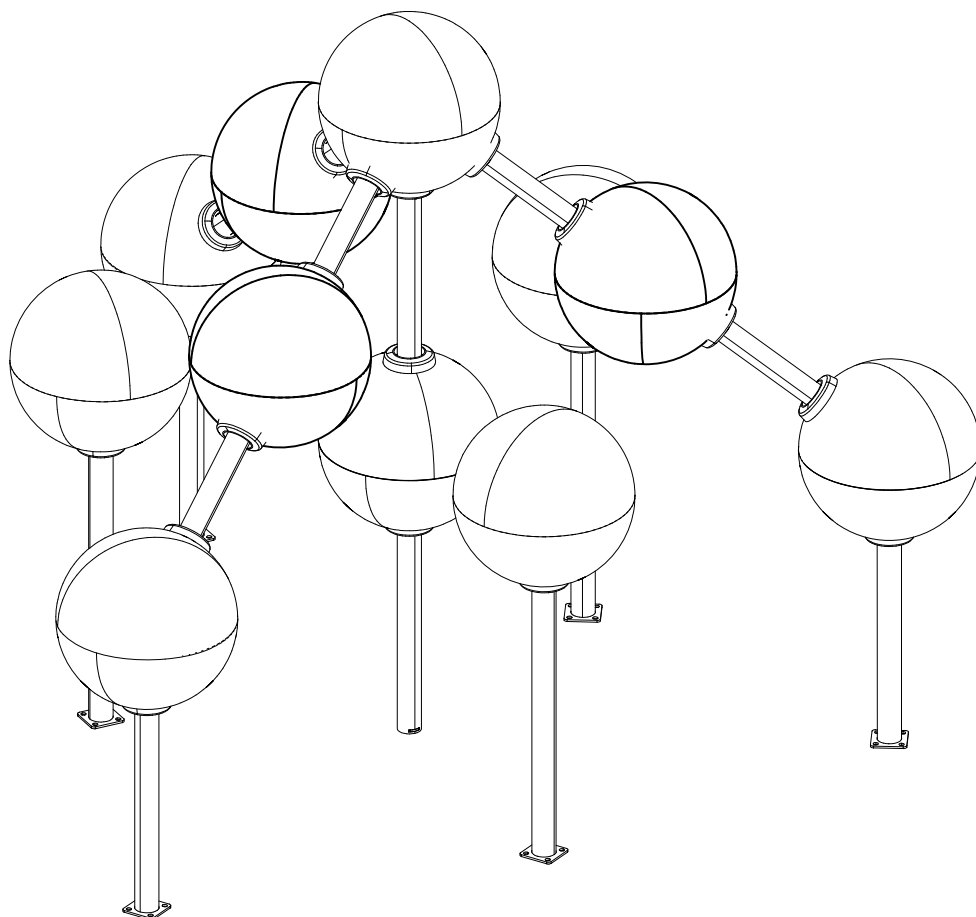
LAPPSET®

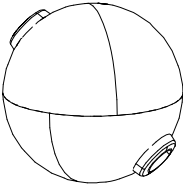
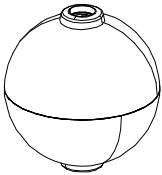
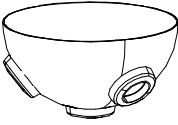


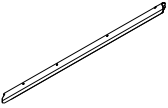

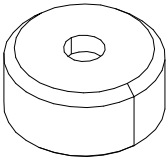
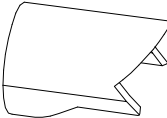
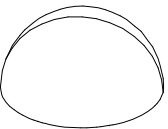

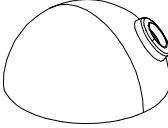
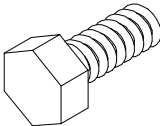
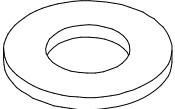
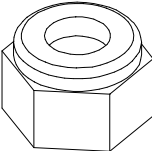
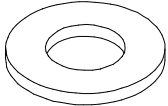

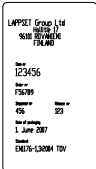
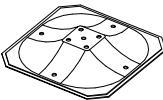
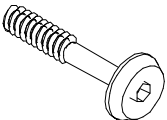
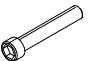
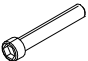
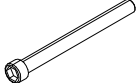
PARKOUR

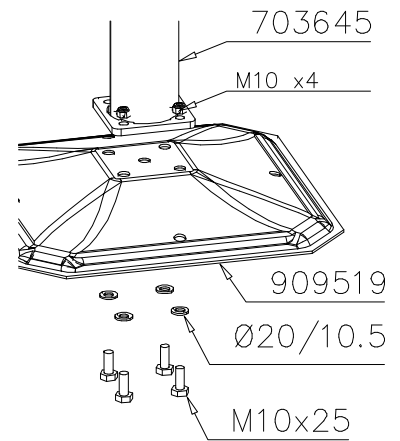
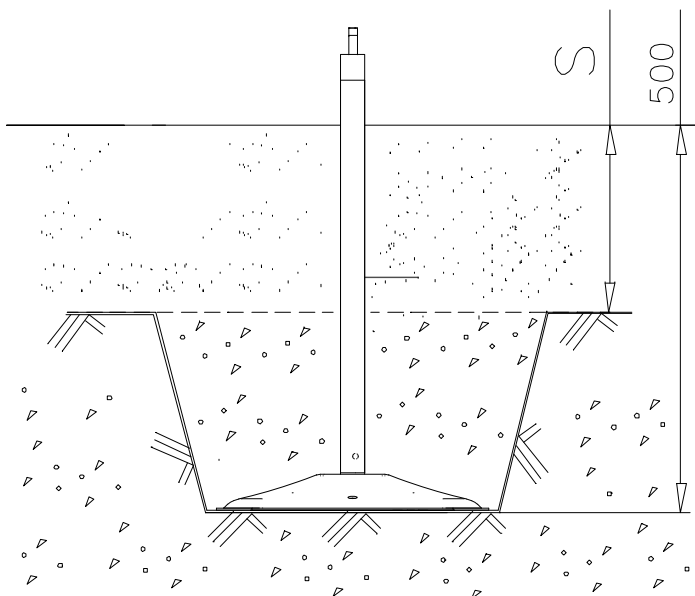
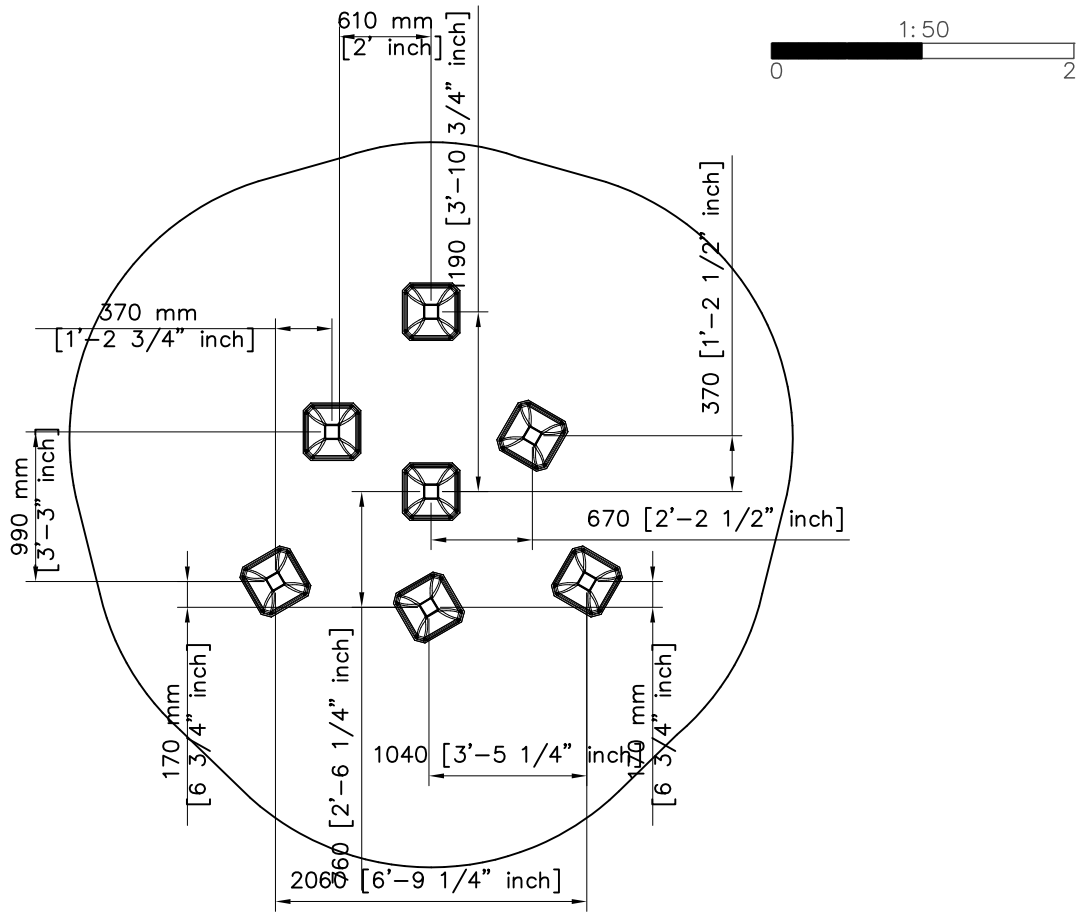
ASENNUSOHJE
MONTERINGSANSVISNING
INSTALLATION INSTRUCTION
AUFBAUANLEITUNG
NOTICE D'INSTALLATION

REF: 220505
DATE: 21.7.2020

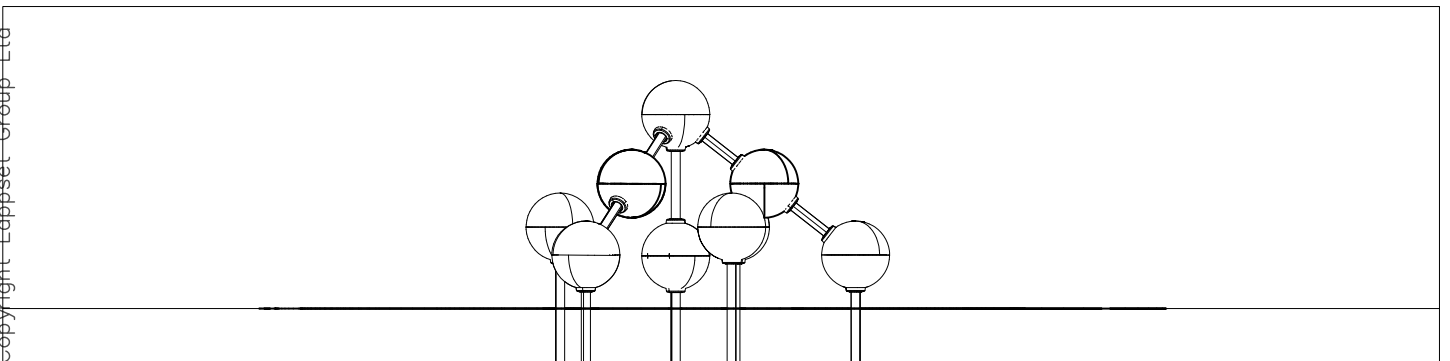
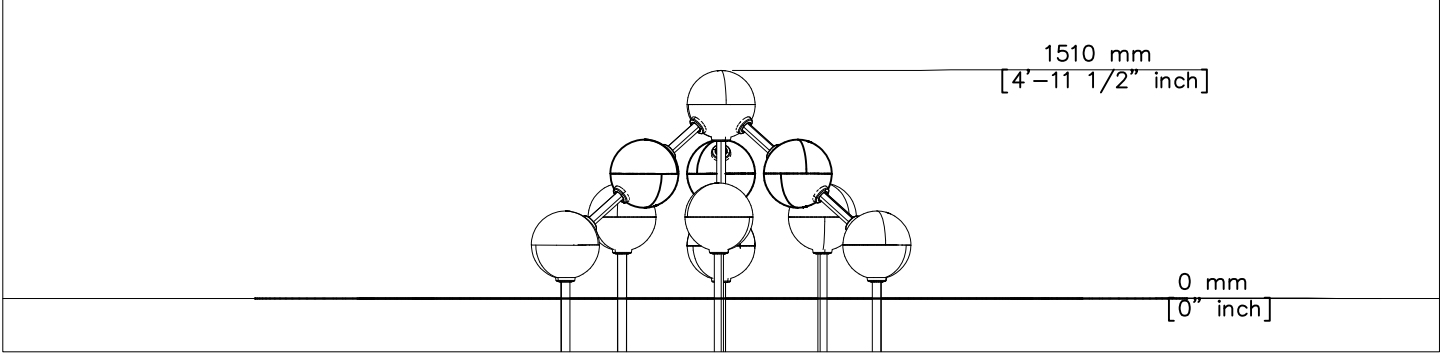
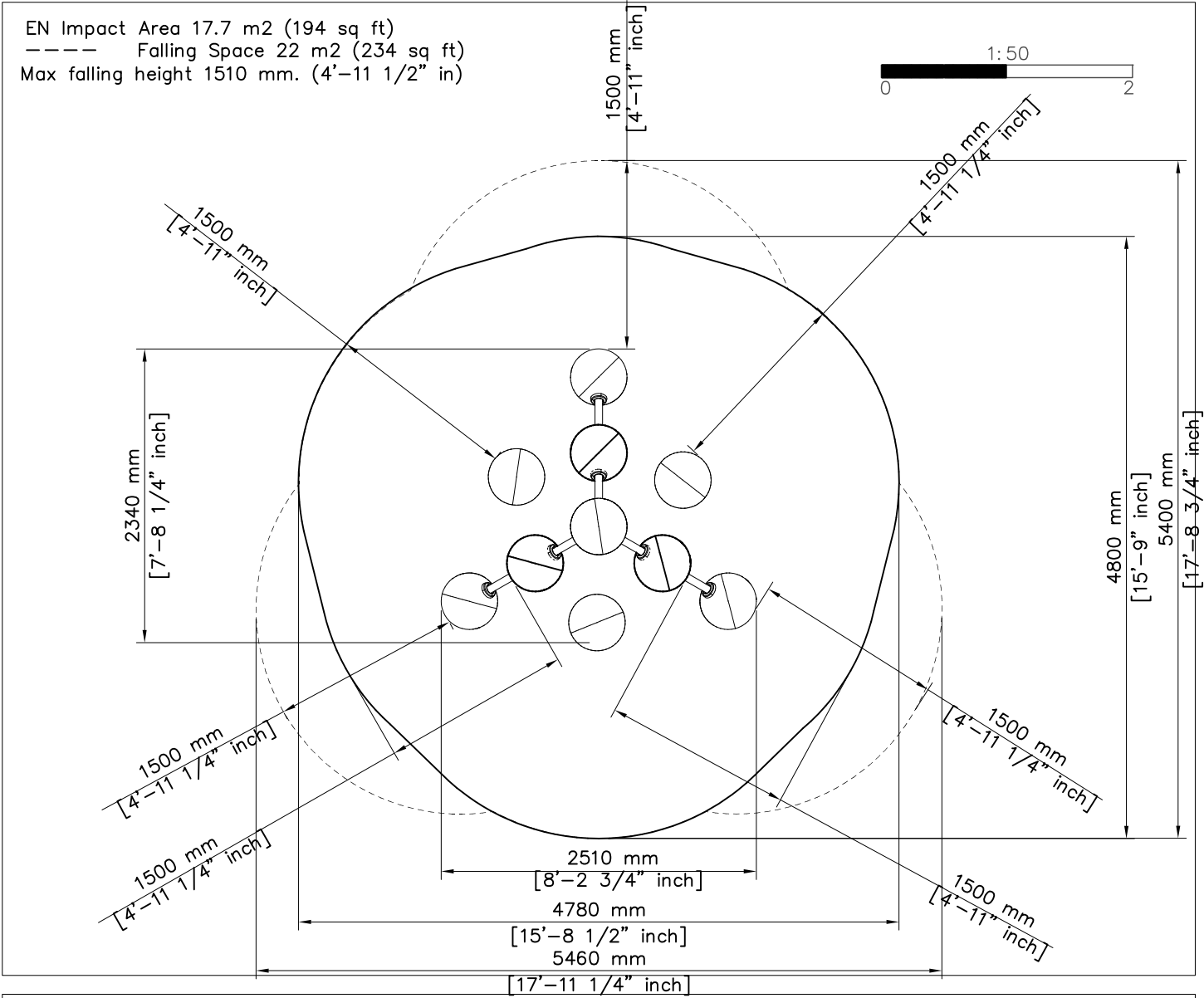
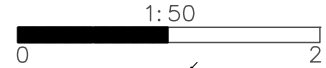
220505



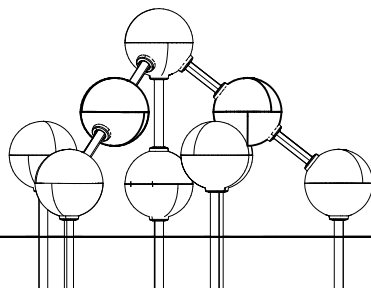
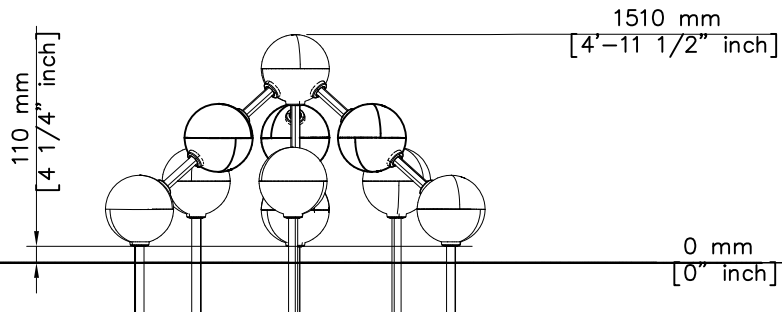
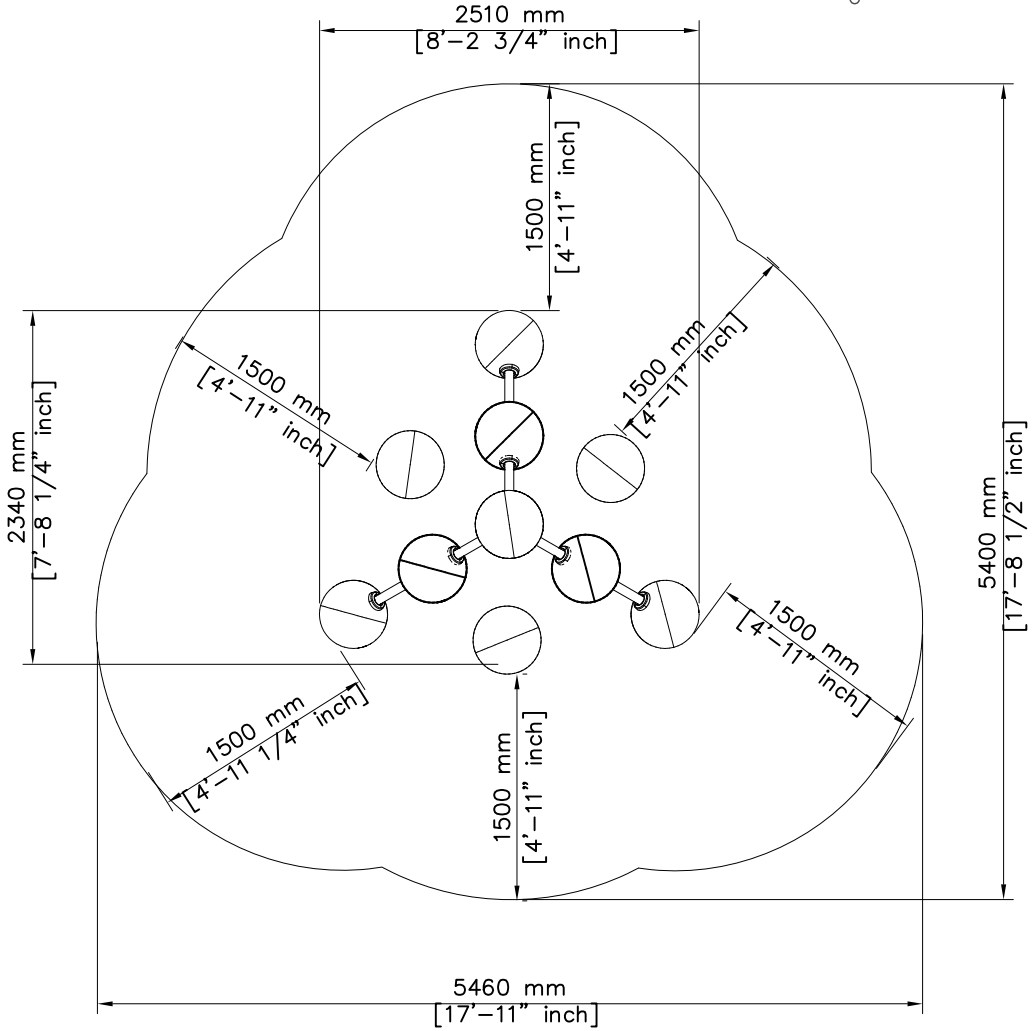
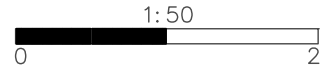
 709770 Black PCS 3	 709771 Ø450 PCS 1	 709772 YELLOW PCS 1	 709773 Ø450 PCS 3	 908458 90x90x1934 PCS 1	 908456 Ø60x2,5x1500 PCS 3
 908460 90x90x1005 PCS 3	 911353 Ø77x36 PCS 4	 908455 Ø19x2x26 PCS 6	 904111 Ø450x225 PCS 1	 908592 Ø450x225 PCS 3	 908593 Ø450x225 PCS 3
 909639 M10x25 PCS 12	 909638 Ø20/10.5 PCS 21	 909637 M10 PCS 15	 980151 Ø16/8.4 PCS 1	 909274 M8x30 PCS 1	 702341 90x50 PCS 1
 909519 50x380x380 PCS 4	 909868 M8x50 PCS 1	 911354 M8x90 PCS 3	 709910 M8x85 PCS 1	 903238 M10x140 PCS 3	

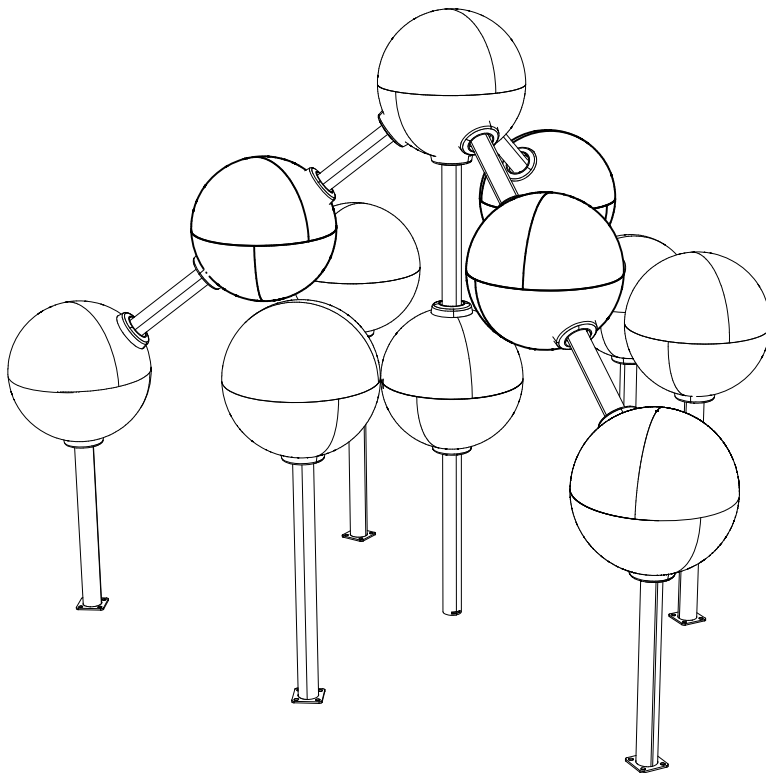
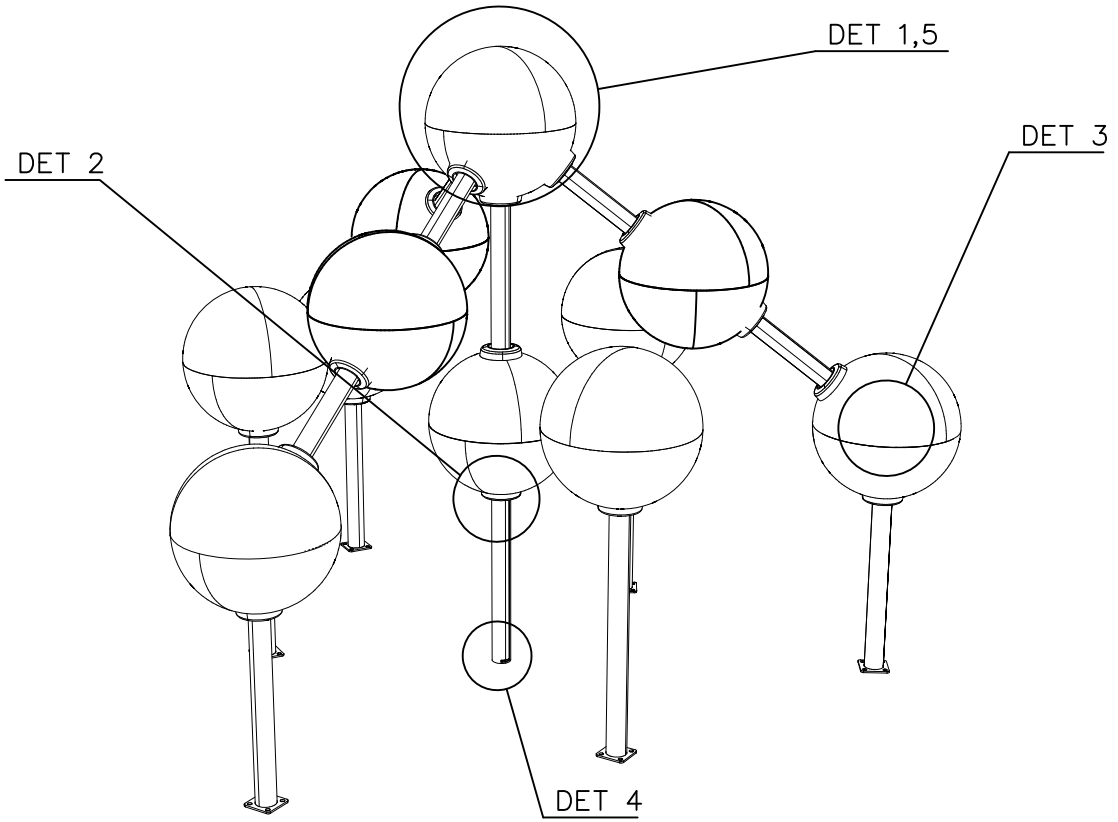


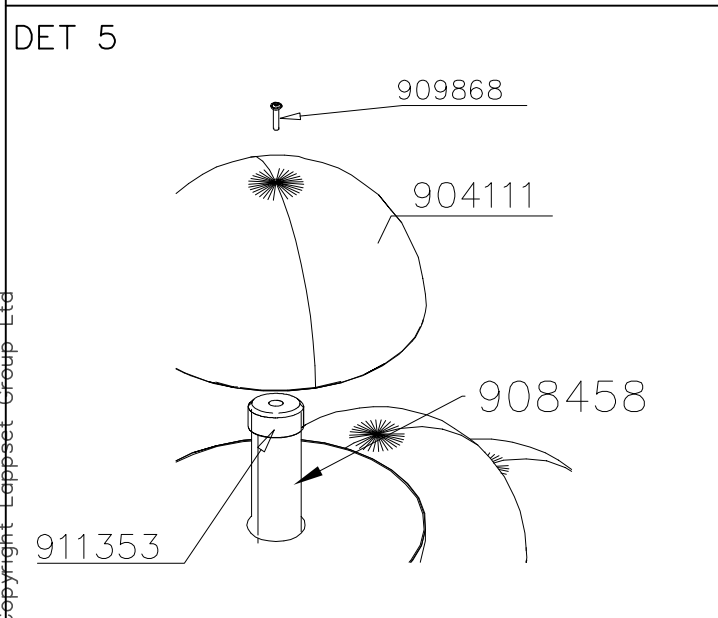
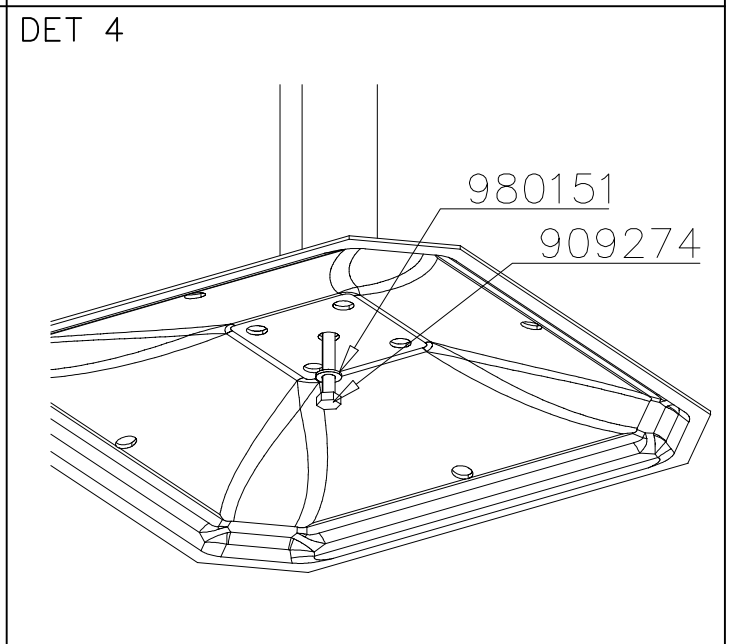
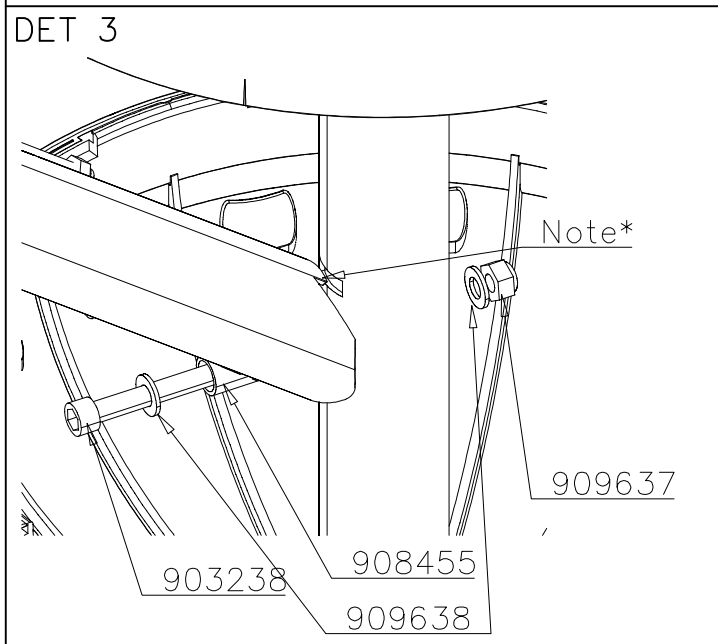
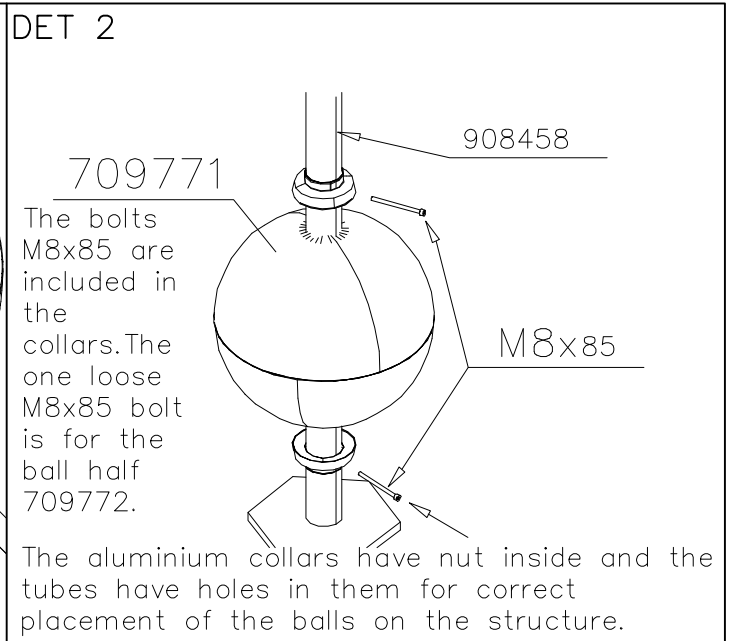
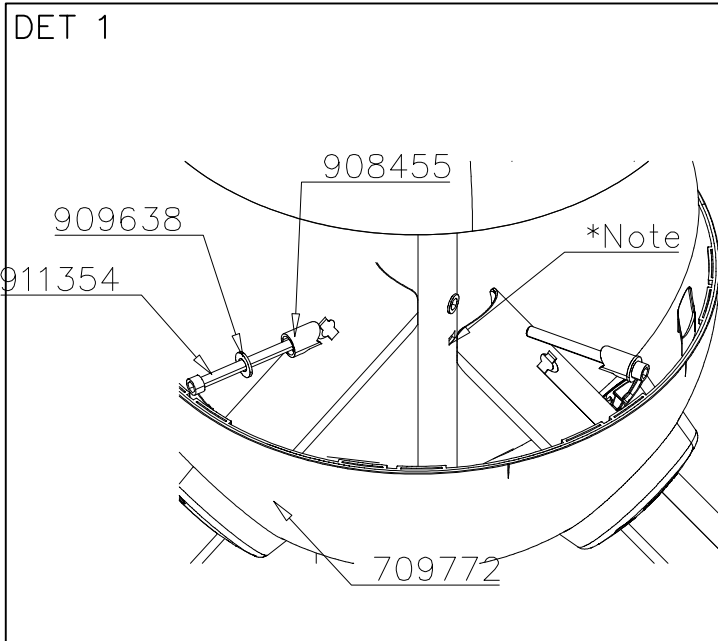
EN Impact Area 17.7 m² (194 sq ft)
 ----- Falling Space 22 m² (234 sq ft)
 Max falling height 1510 mm. (4'-11 1/2" in)



AS Impact Area 22 m² (234 sq ft)
Max falling height 1510 mm. (4'-11 1/2" in)





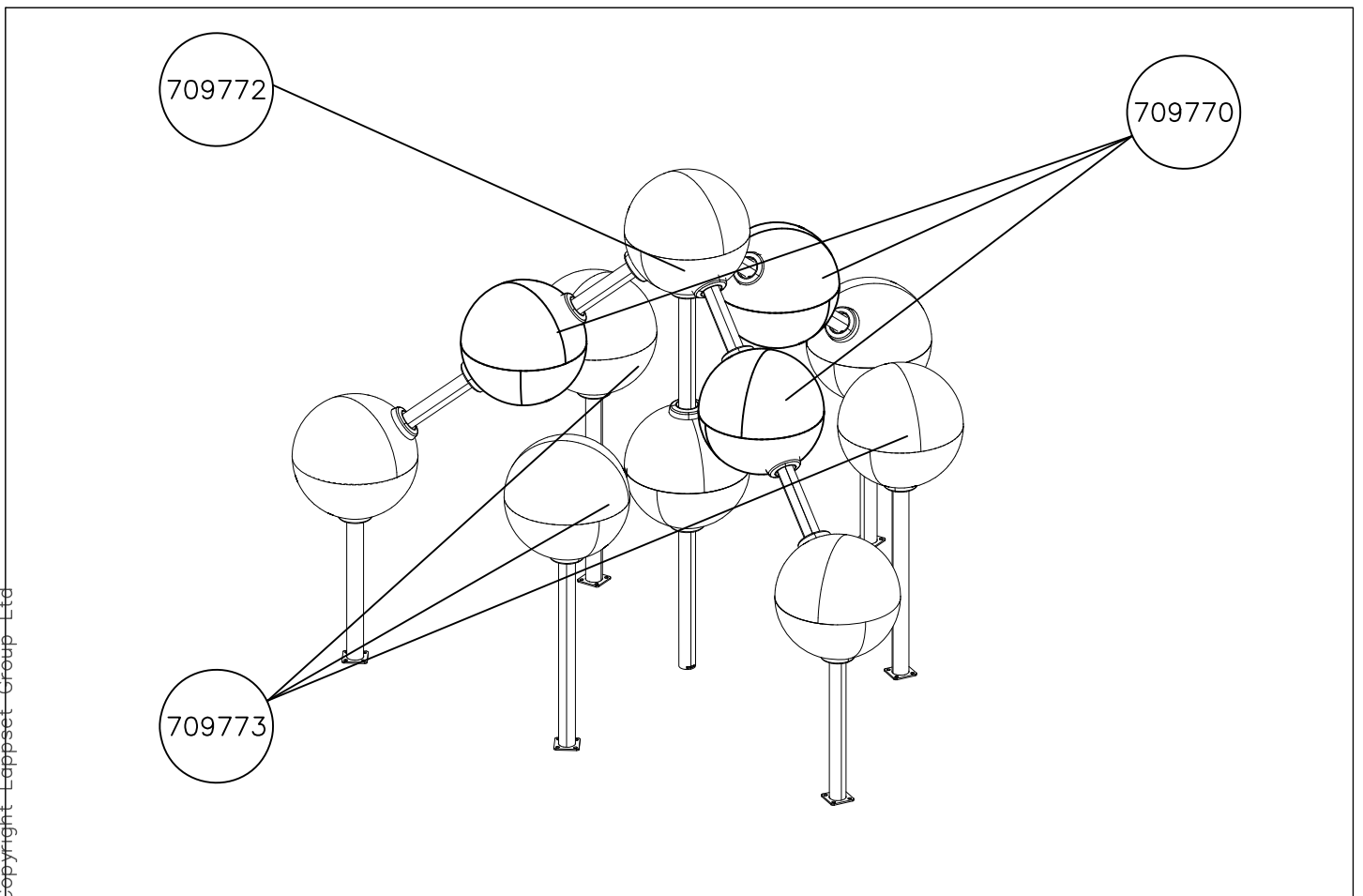
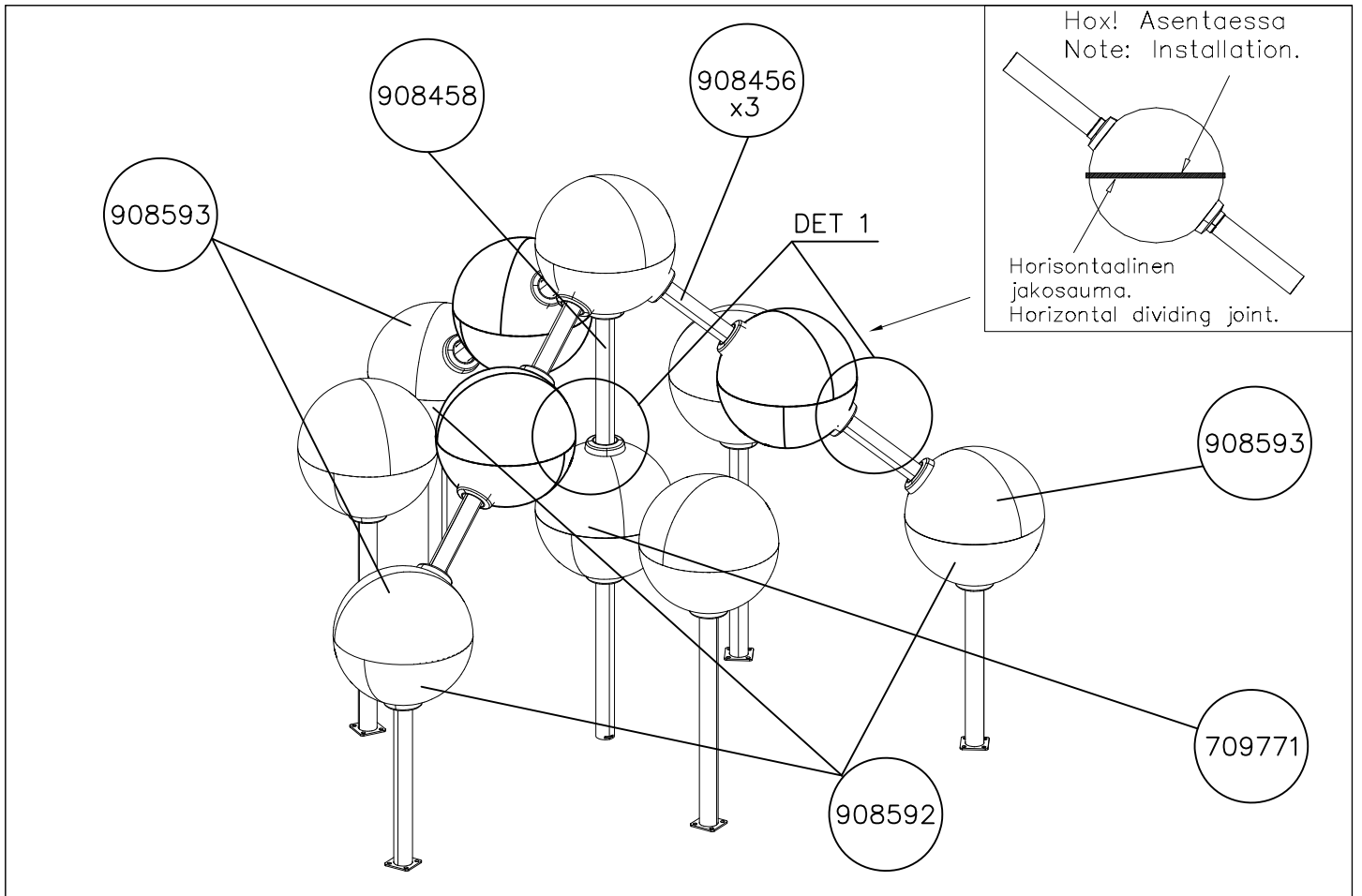


*Note

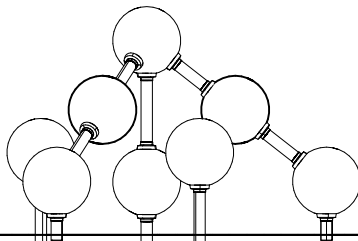
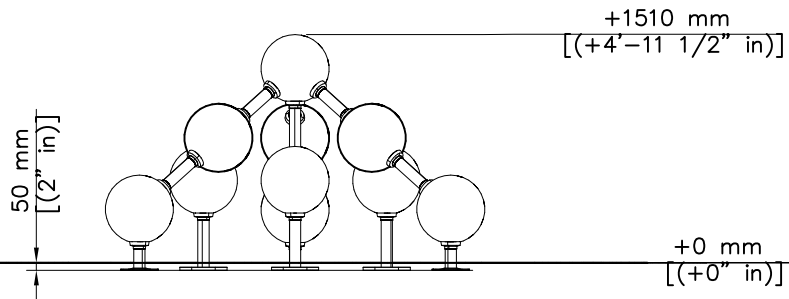
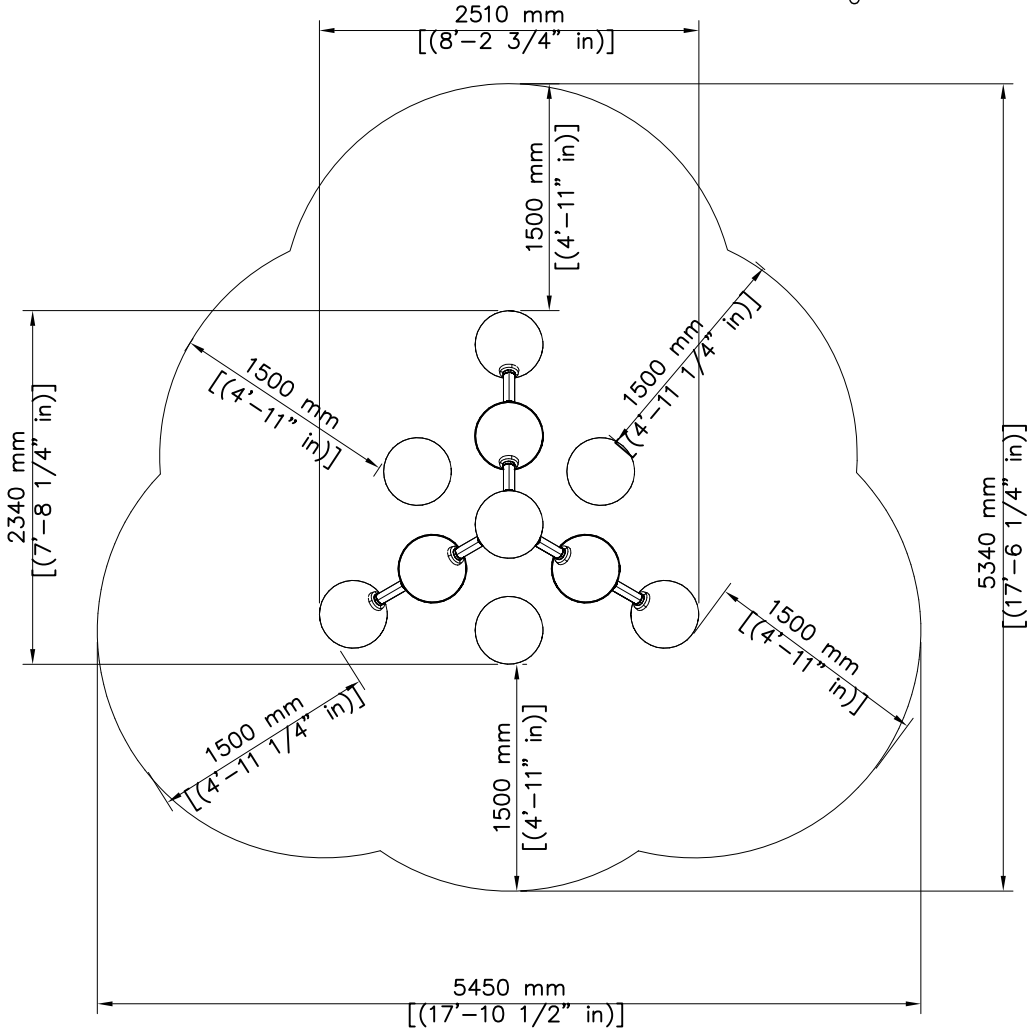
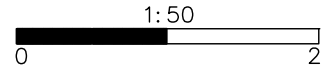
The wide "teeth" of tube 908456 goes downwards to element 908460, and thinner "teeth" upwards to middle tube

Slide the ball half 709772 from the foundation side of the center tube in place, then the middle ball 709771, and finally install the foundation foot.

911353 is placed on top of 908458 and tubes 908460



AS Impact Area 21.3 m² (229 sq ft)
 Max falling height 2005 mm. (6'-7 1/4" in)

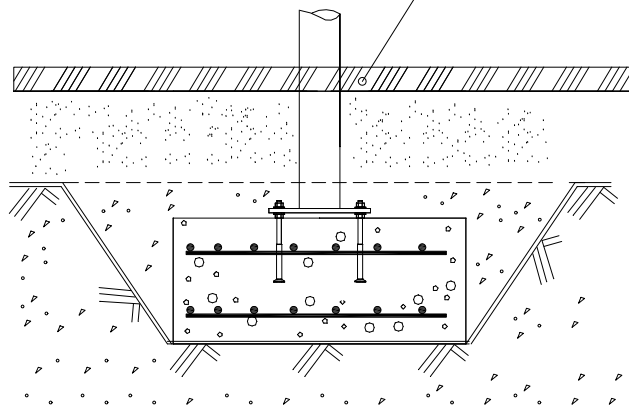


												
<p>$h < 600$</p> <p>Without movement and therefore without Impact Area</p>	<p>Totally hard surfaces.</p> <p>Note. Lappset does <u>not recommend</u> totally hard surfaces at all.</p>	<p>E.g. concrete or asphalt</p> 										
<p>$h < 600$</p> <p>With movement e.g. rocking</p>	<p>Materials with very limited impact attenuating properties.</p>	<p>E.g. wood</p> 										
<p>$h < 1000$</p>	<p>Materials with significant impact attenuating properties.</p>	<p>fine gravel 0–8 mm</p>  <p>grass</p>  <p>unsorted sand</p> 										
<p>$h < 3000$</p>	<p>Loose fill material</p> <p>E.g. sand/gravel 0,25...8 mm D60/D10<3,0 Woodchips 5...30 mm bark 20...80 mm</p>	 <table data-bbox="1024 1691 1332 1792"> <tr> <td>\underline{S}</td> <td>\underline{h}</td> </tr> <tr> <td>30 cm</td> <td>< 2,0 m</td> </tr> <tr> <td>40 cm</td> <td>< 3,0 m</td> </tr> </table>	\underline{S}	\underline{h}	30 cm	< 2,0 m	40 cm	< 3,0 m				
\underline{S}	\underline{h}											
30 cm	< 2,0 m											
40 cm	< 3,0 m											
	<p>Syntethic granulates</p> <table data-bbox="406 1892 758 2060"> <tr> <td>\underline{S}</td> <td>\underline{h}</td> </tr> <tr> <td>40 mm</td> <td>~> 1,2...1,3 m</td> </tr> <tr> <td>50 mm</td> <td>~> 1,5...1,7 m</td> </tr> <tr> <td>60 mm</td> <td>~> 1,8...2,0 m</td> </tr> <tr> <td>70 mm</td> <td>~> 2,1...2,5 m</td> </tr> </table> <p>Note. For accurate values, see manufacturer's instructions.</p>	\underline{S}	\underline{h}	40 mm	~> 1,2...1,3 m	50 mm	~> 1,5...1,7 m	60 mm	~> 1,8...2,0 m	70 mm	~> 2,1...2,5 m	
\underline{S}	\underline{h}											
40 mm	~> 1,2...1,3 m											
50 mm	~> 1,5...1,7 m											
60 mm	~> 1,8...2,0 m											
70 mm	~> 2,1...2,5 m											

REMOVE SAFETY SURFACE/SAND/GRAVEL
TO CHECK FOUNDATION

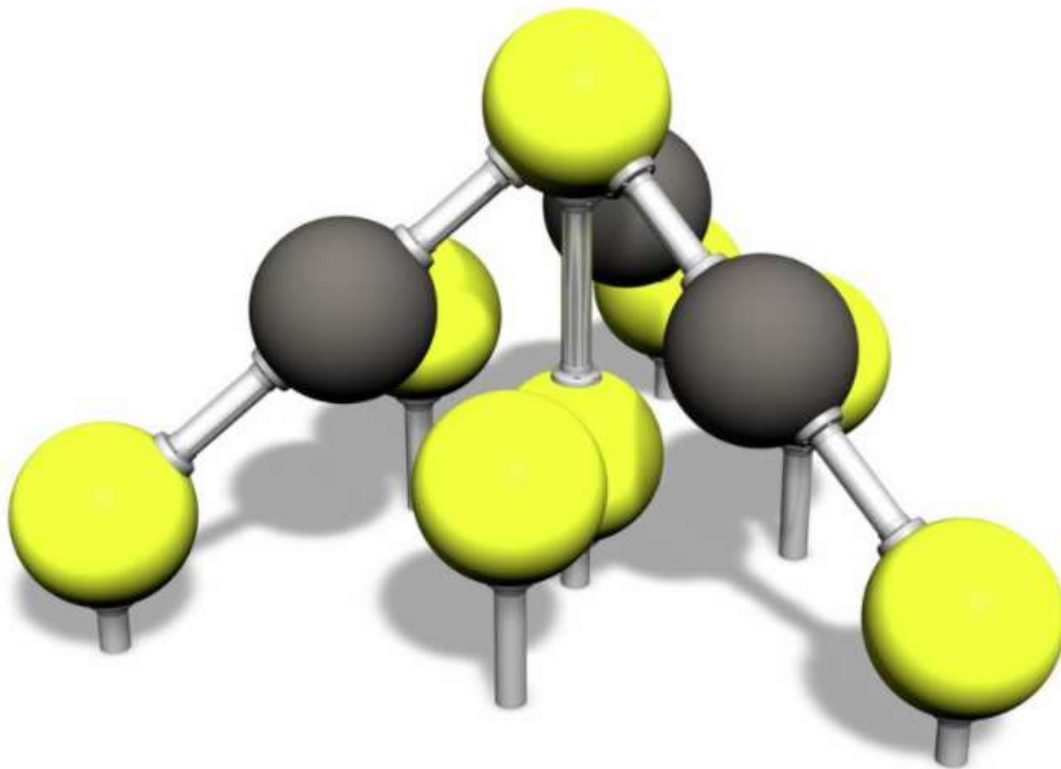


REMOVE SAFETY SURFACE/SAND/GRAVEL
TO CHECK FOUNDATION





Replacement of Plastic Spheres for Lappset Pyramids 220505 / 160005



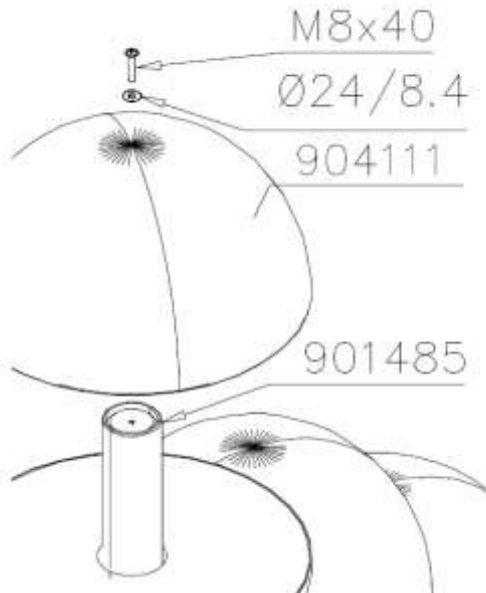
Introduction

This document includes instructions to replace plastic spheres for pyramid climbers 220505 (yellow-gray) and 160005 (gray-blue). Instructions are valid for products with aluminum frame. The newer steel framed products are with 60mm diameter tube while the previous aluminum framing is with 75mm diameter. The replacement procedure is quite demanding and requires some special tools listed at the end of the document. The length of the operation depends on the quantity and location of the spheres to be replaced. The most demanding ones are the spheres at the bottom corners as the replacement requires the top part to be disassembled to gain access.

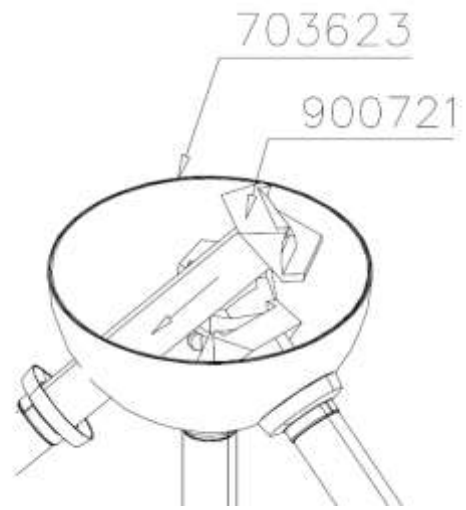
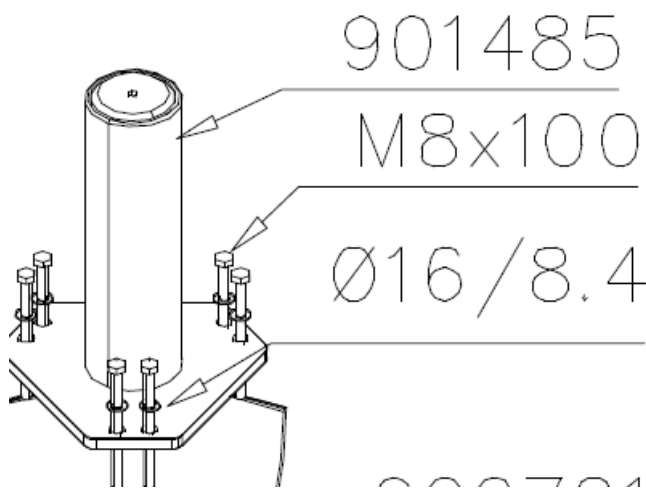


Step1: Disassembling the parts

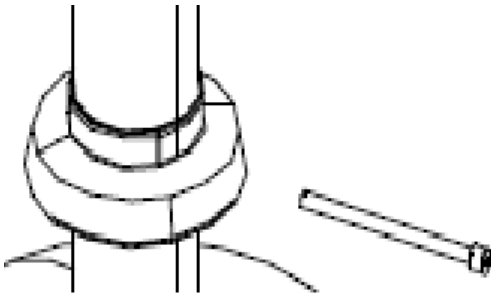
The top sphere is not glued together and thus it is easy to remove. Start by opening the M8 allen screw at the very top. Remove the screw and washer and twist the upper half to open it.



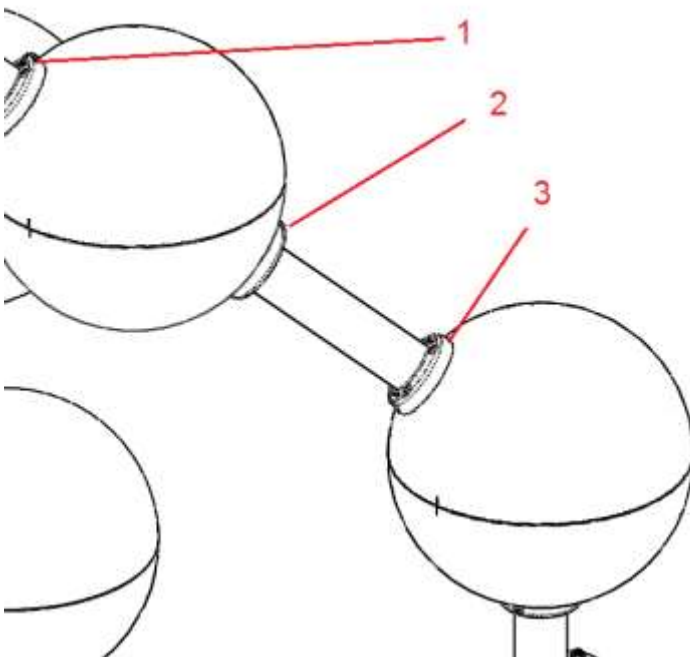
Next undo the M8 hex bolts (nuts underneath) and raise the top connector (901485) out and thus get access to the three branches (900721)



Remove the branch/branches you need to replace the spheres. The branch can be slid up after the allen screws at the aluminum flanges are removed (picture below).

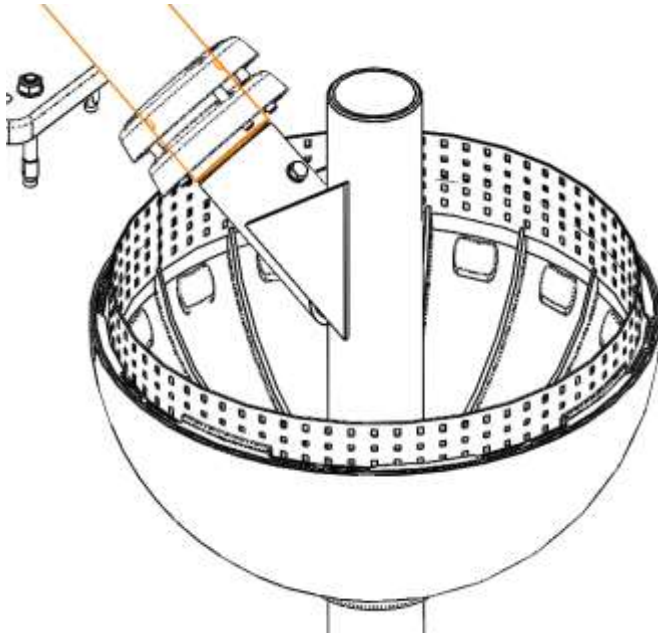


The branch will slide through the middle ball as the allen keys from both flanges (1 & 2) are removed. Also the bolt from the bottom ball (3) needs to be removed to release the branch.



Step 2. Replacing the spheres

The original spheres are glued at the factory. Replacement parts are delivered without the metal parts and thus those need to be re-used. The glue is so strong that it requires the balls to be taken apart by destructing the material. Easiest method is to use hacksaw and saw along the seam splitting the two halves. Remember to use blade for metal as there is steel reinforcement inside. If saw is not available also series of holes can be drilled around the perimeter and use chisel and hammer.



The re-install process is the previous in reverse. All other parts are re-used except the plastic halves. The splitting seam is secured with glue. Depending on your location, the glue can be ordered from Lappset or sourced locally. The glue should be elastic and suitable for polycarbonate. Use masking tape around the visible surface to avoid glue ending up in visible surfaces. Note the orientation of the flange bolts for all three balls along the branch before gluing the halves together.

**Tuotekyltti tulee tuotteen mukana yhdellä seuraavista tavoista:****1) Metallinen tuotekyltti ja kiinnitysruuvit**

- Kiinnitä tuotekyltti ruuveilla tolppaan noin 2 metrin korkeuteen kuvan 1 mukaisesti.

2) Tuotekyltitarra

- Puhdista maalattu metalli- tai vaneripinta pölystä ja kosteudesta. Liimaa tarra kuvan 2 mukaisesti.
- Huom. Älä kiinnitä tarraa karheapintaiseen laminaattiin tai maalattuun puuhun.

Vår produktmärkning levereras på ett av följande sätt:**1) Produktskylt i metall**

- Fäst skylten med de medföljande skruvarna

2) Självhäftande produktetikett

- Rengör den pulverlackerade metallytan eller laminatyten så att den blir fri från smuts och fukt. Fäst etiketten enligt fig. 2.
- Obs! Fäst ej etiketten på detaljer med skrovlig yta eller på målat trä.

Product label is delivered by one of following ways:**1) Metal product label and screws**

- Fasten the label with screws.

2) Label sticker

- Clean the painted metal or plywood surface from dirt and moisture. Fasten the sticker as shown in the figure 2.
- Note. Do not attach the sticker to rough surfaced laminate or painted wood.

La plaque d'informations produit est livrée sous l'une de ces 3 formes :**1) Plaque métallique et vis**

- Fixez la plaque à l'aide des vis.

2) Etiquette autocollante

- Avant de coller l'étiquette, nettoyez le composant métallique peint ou la plaque de contreplaqué, de toute saleté. La surface doit être sèche (voir image 2).
- Attention, ne pas coller l'étiquette sur une surface lamellé-collée irrégulière ou sur du bois peint.

Die Auslieferung des Produktaufklebers erfolgt auf eine dieser Arten:**1) Produkt-Schild aus Metall incl. Schrauben**

- Die Befestigung des Schildes erfolgt mittels der Schrauben.

2) Aufkleber

- Entfernen Sie zunächst Schmutz und Feuchtigkeit vom lackierten Metall bzw. von der Holzoberfläche und bringen Sie den Aufkleber wie im Bild oben rechts beschrieben auf den gesäuberten Untergrund auf.
- Beachten Sie: Bringen Sie den Aufkleber nicht auf raues laminiertes oder lackiertes Holz an.