

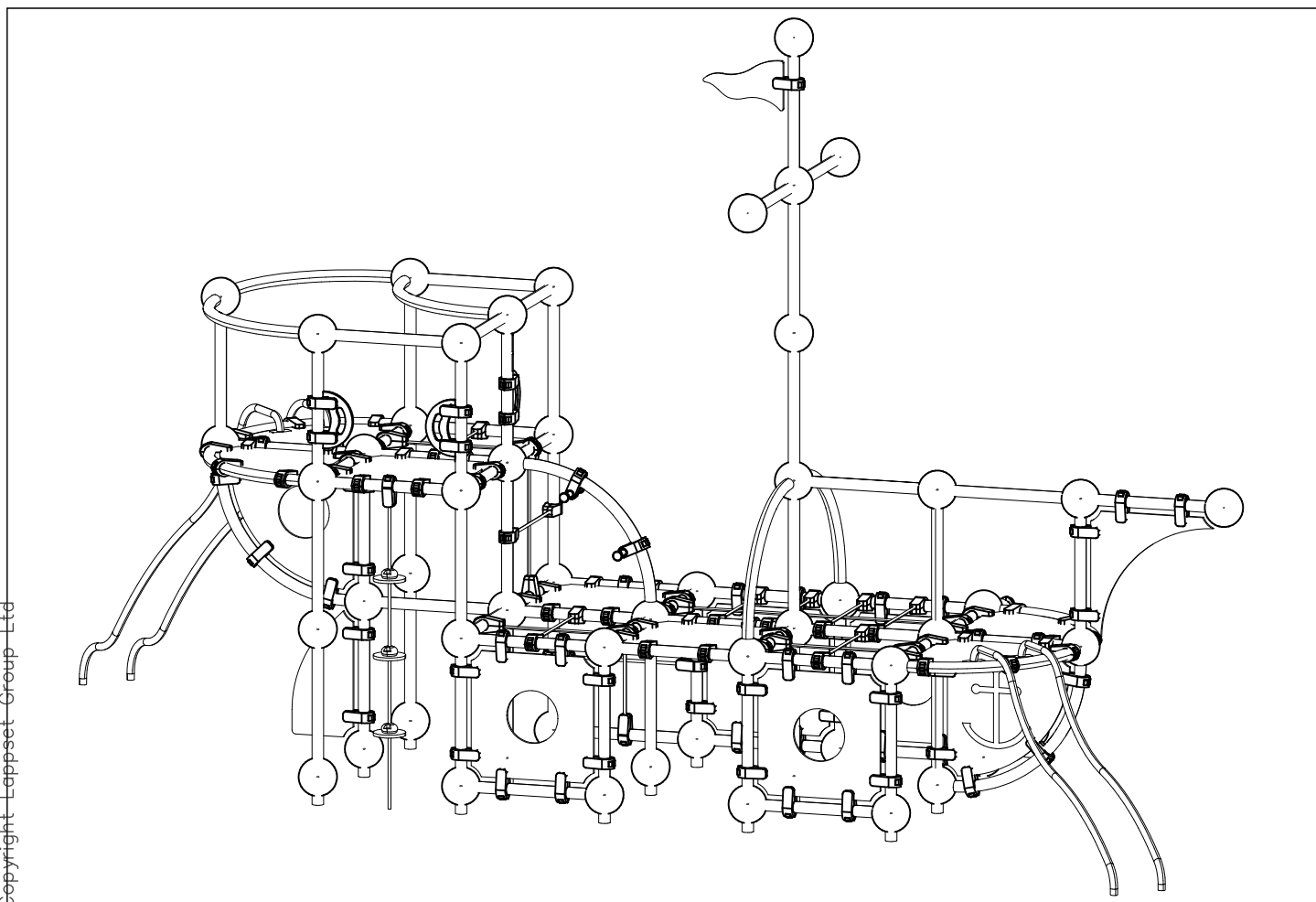
# **LAPPSET®**

## **CLOXX**

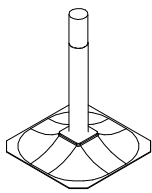

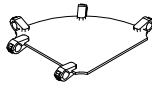

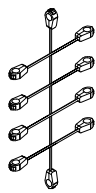

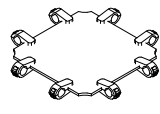


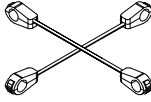


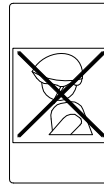
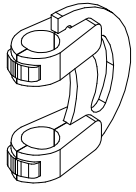

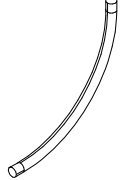

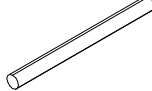
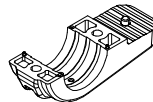
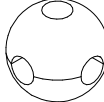

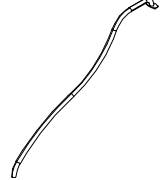
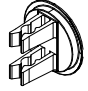

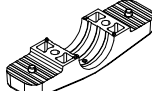
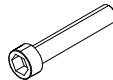
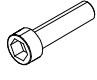
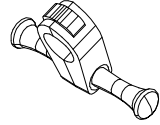

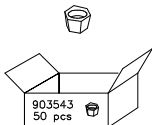
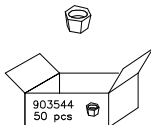

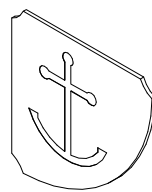
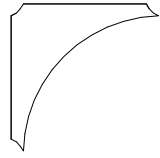
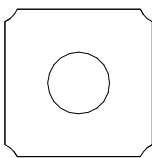

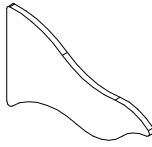
ASENNUSOHJE  
MONTERINGSANSVISNING  
INSTALLATION INSTRUCTION  
AUFBAUANLEITUNG  
NOTICE D'INSTALLATION

DATE: 12.1.2018

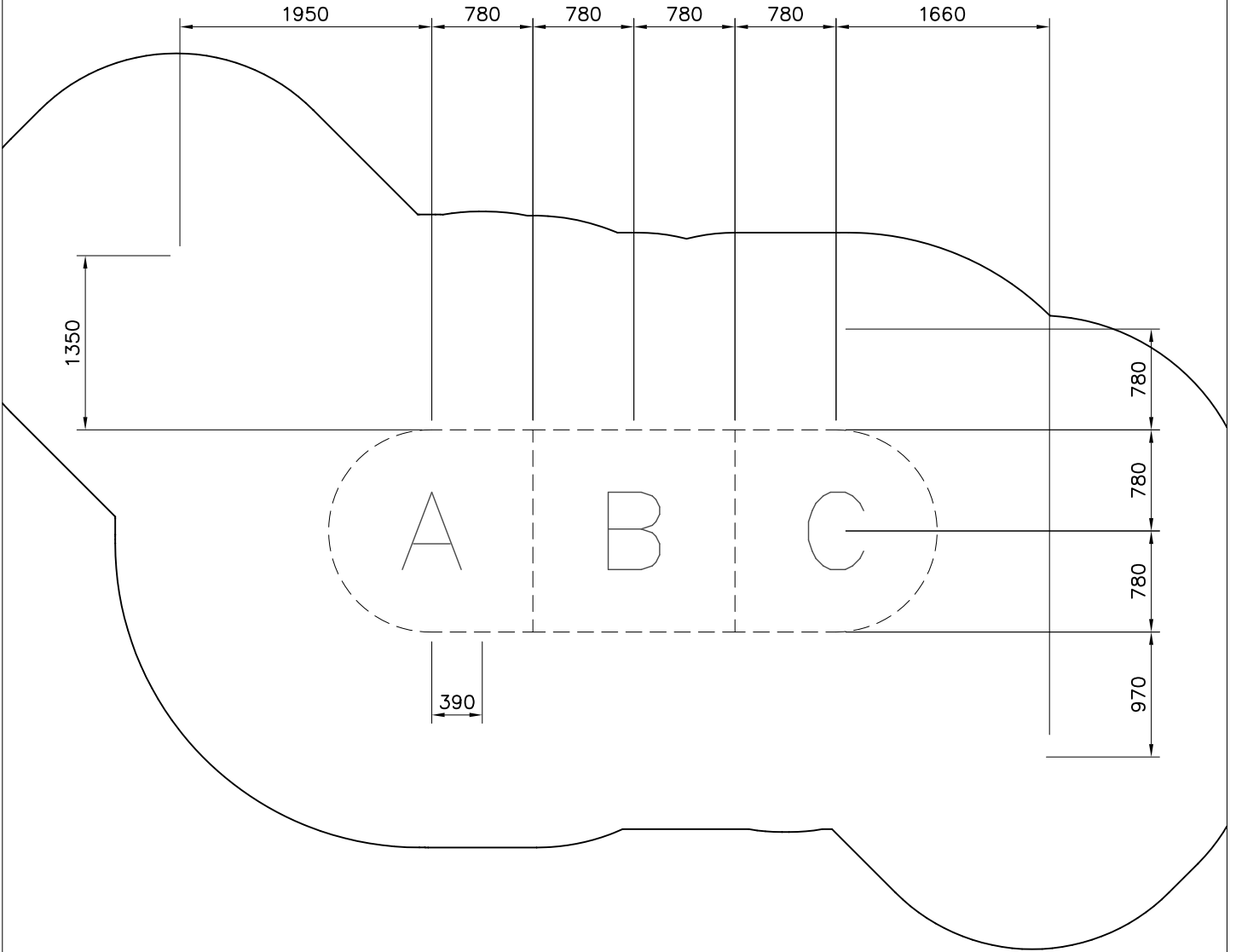
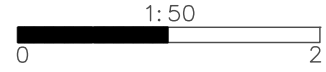
### **220350**



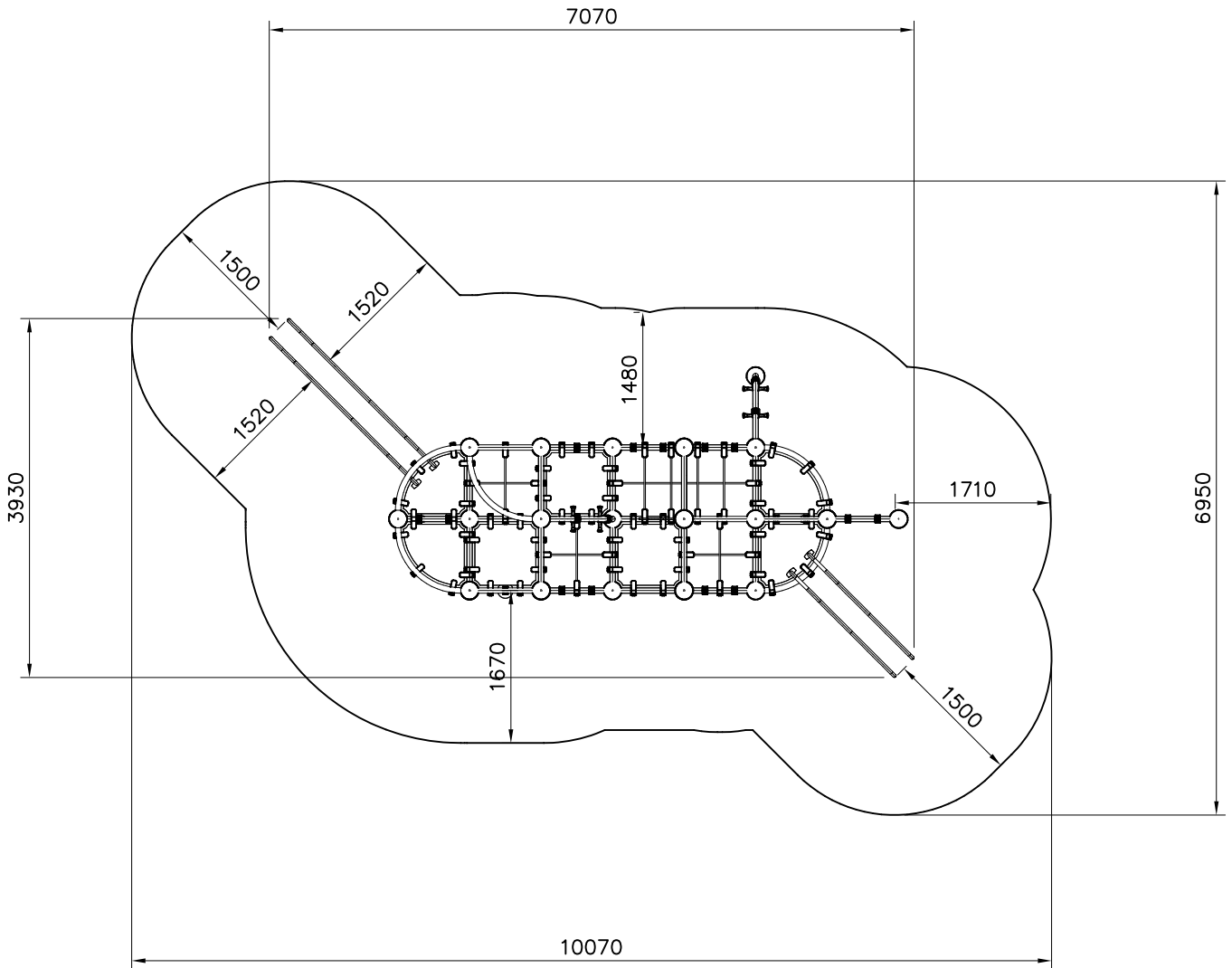
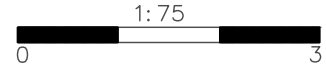
DATE: 12.1.2018

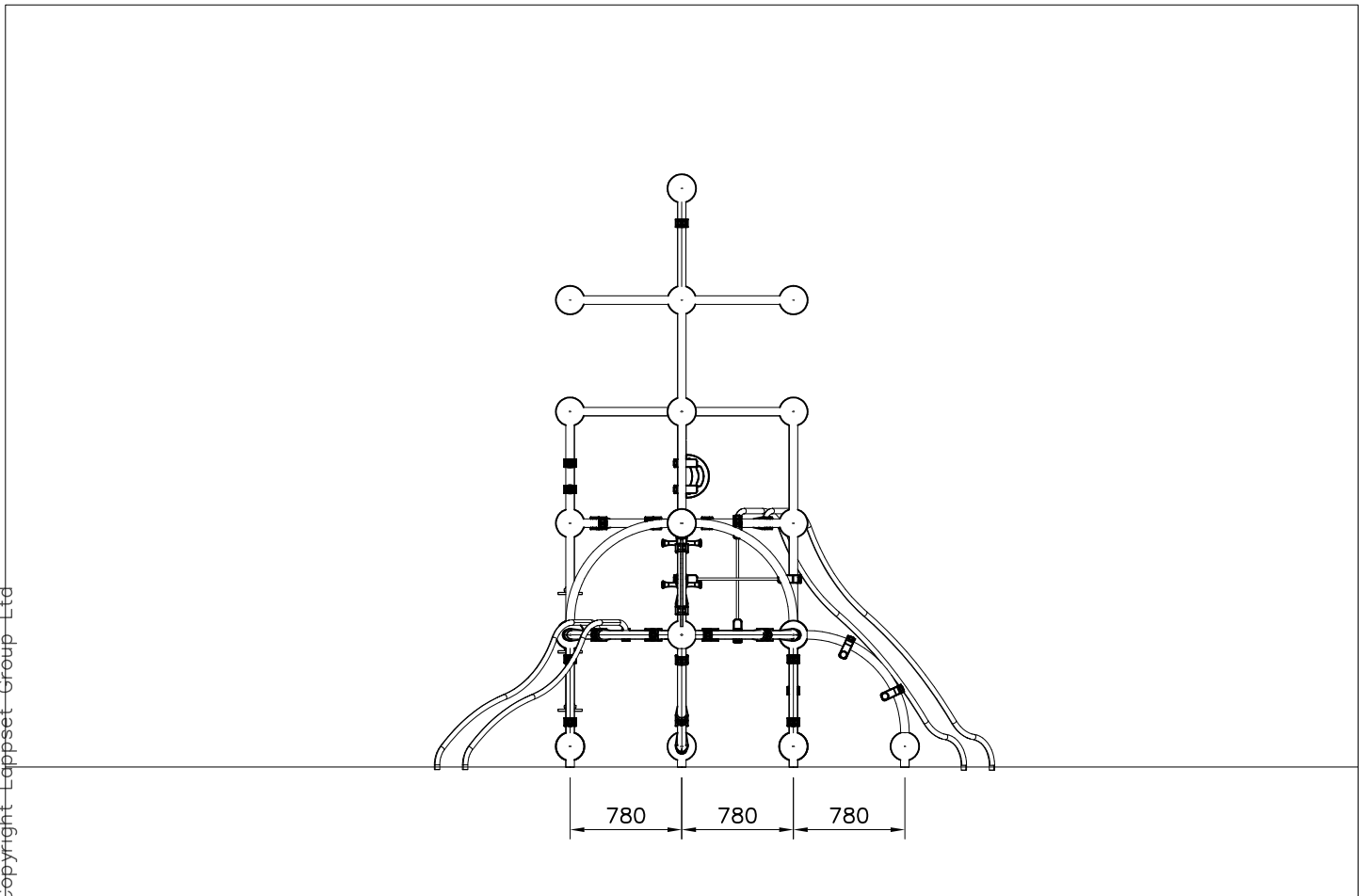
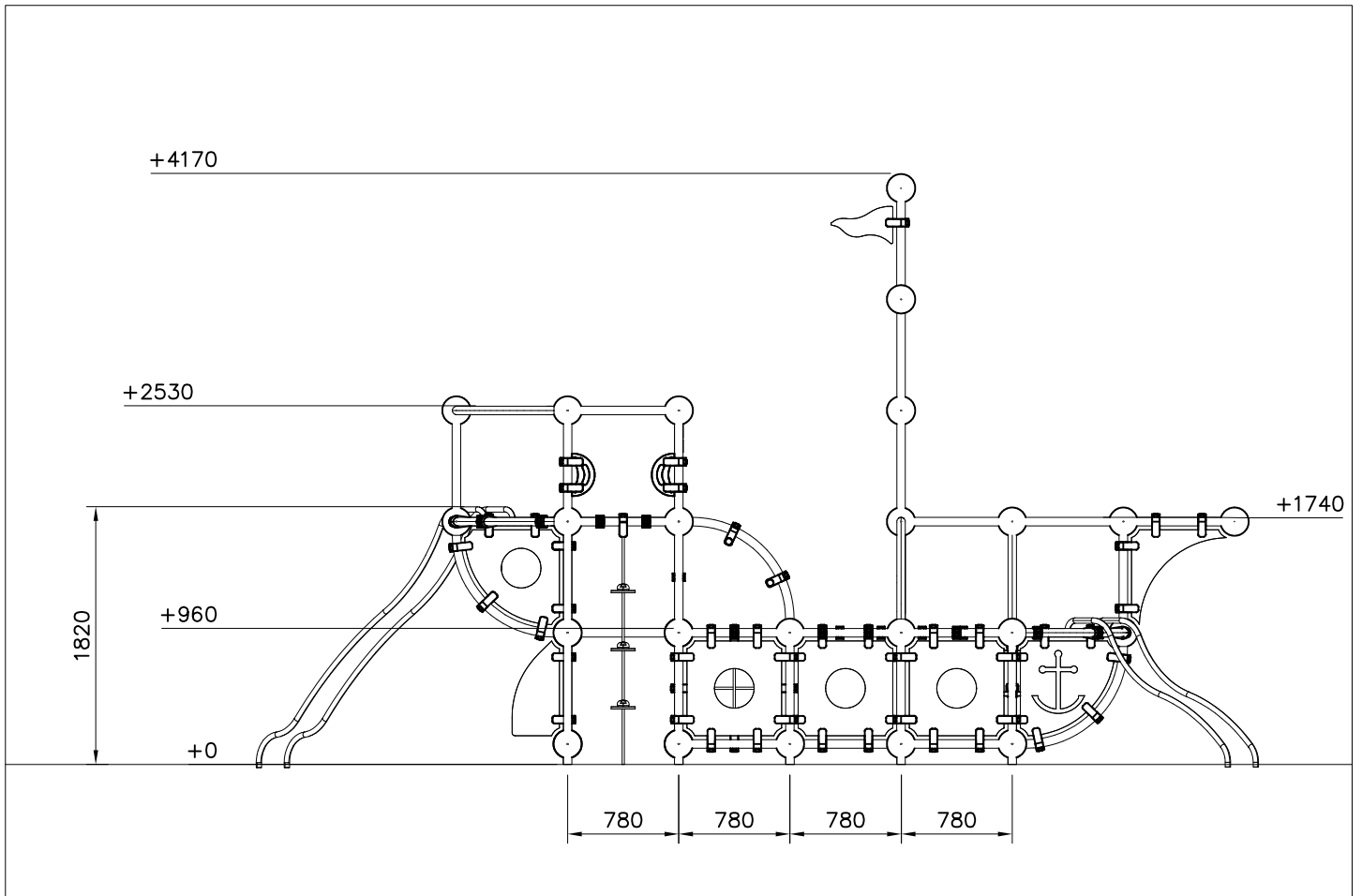
 	PCS 16	 	PCS 1	 	PCS 2	 	PCS 2	 	PCS 1	 	PCS 3
 	PCS 1	 	PCS 5	 	PCS 2	 <p>90x50</p>	PCS 1	 <p>90x50</p>	PCS 1	 	PCS 3
	PCS 13	 <p>L 1493</p>	PCS 10	 <p>L 710</p>	PCS 38	 <p>150x50x50</p>	PCS 84	 	PCS 54		PCS 2
 <p>60x60x2</p>	PCS 138		PCS 2	 <p>200x50x50</p>	PCS 4	 <p>M10x55</p>	PCS 46	 <p>M10x30</p>	PCS 42	 	PCS 4
 <p>M10/50pcs</p>	PCS 3	 <p>M12/50pcs</p>	PCS 4	 <p>L 2278</p>	PCS 5	 <p>M10</p>	PCS 88		PCS 1	 <p>668x668x15</p>	PCS 1
 <p>668x668x15</p>	PCS 4		PCS 1		PCS 1		PCS		PCS		PCS
	PCS		PCS		PCS		PCS		PCS		PCS

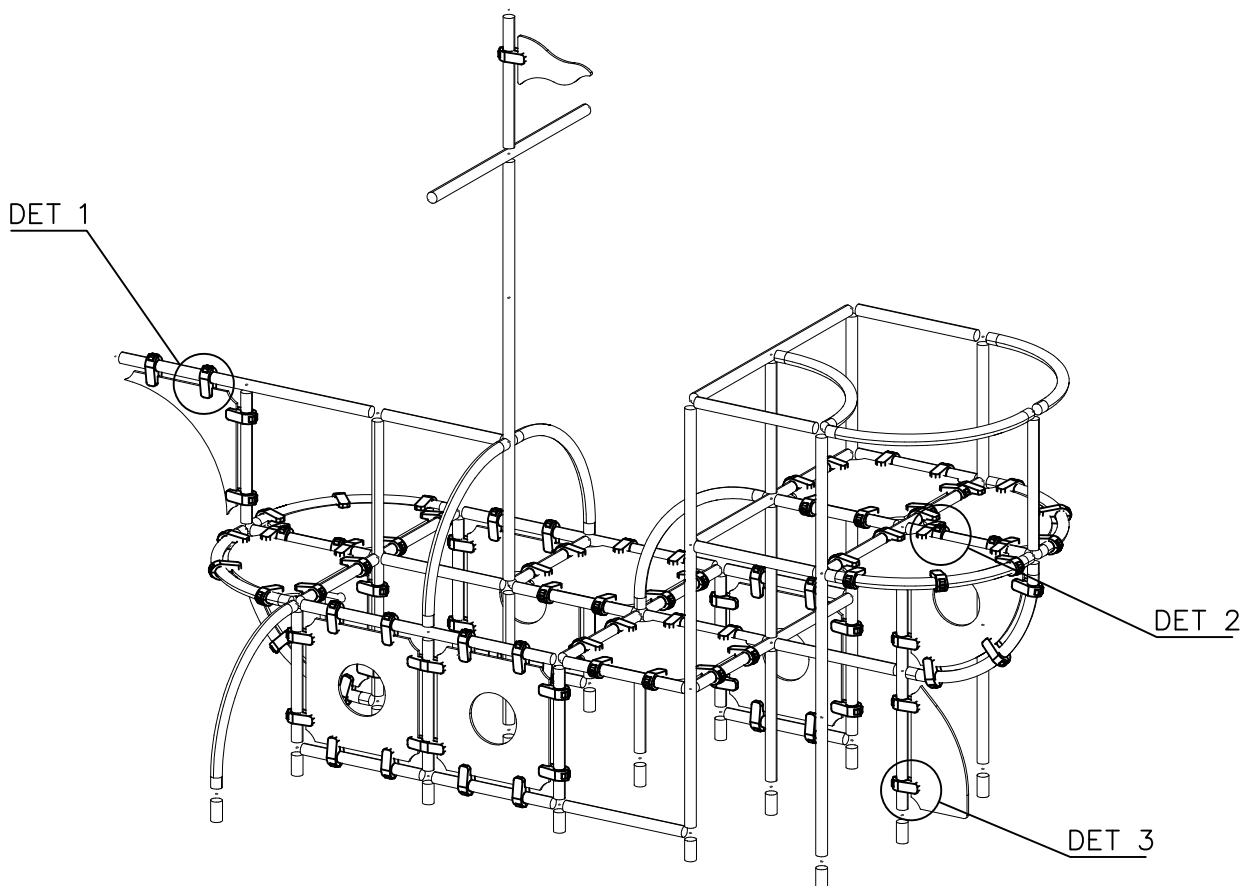
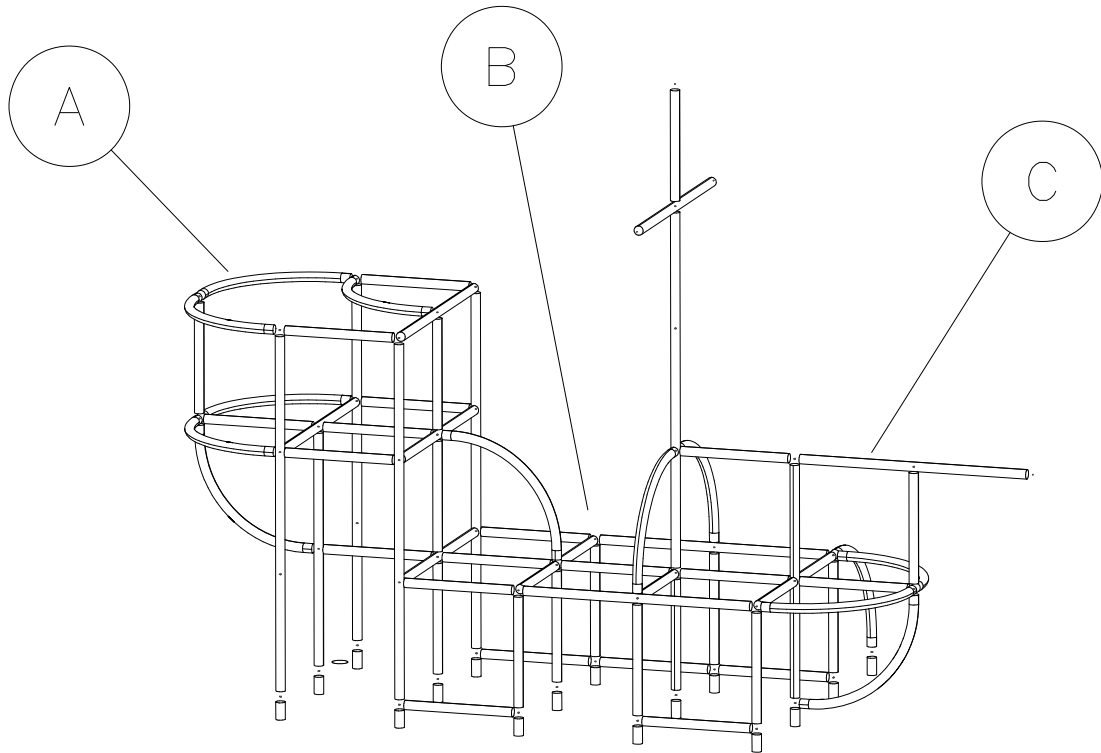
EN/AS Impact Area 45.6 m<sup>2</sup>

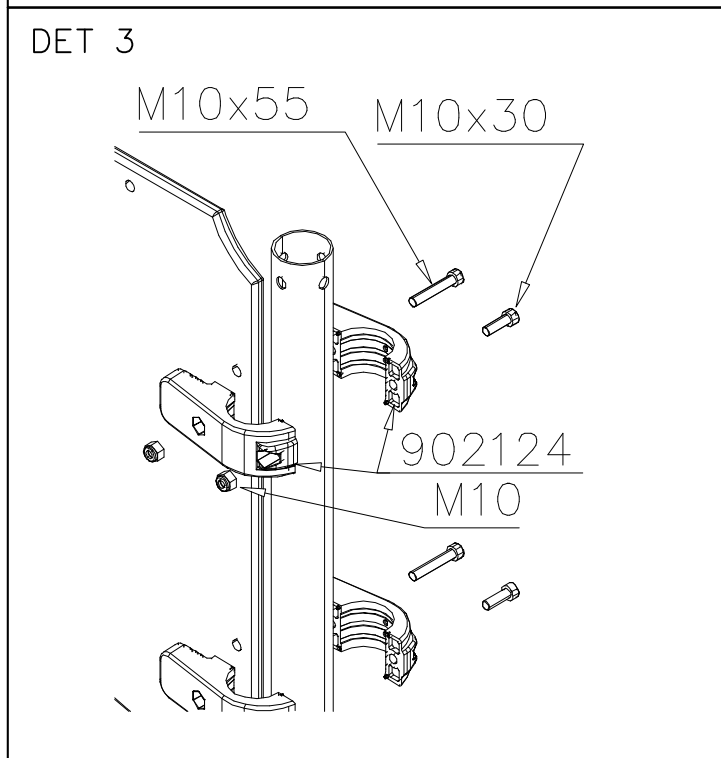
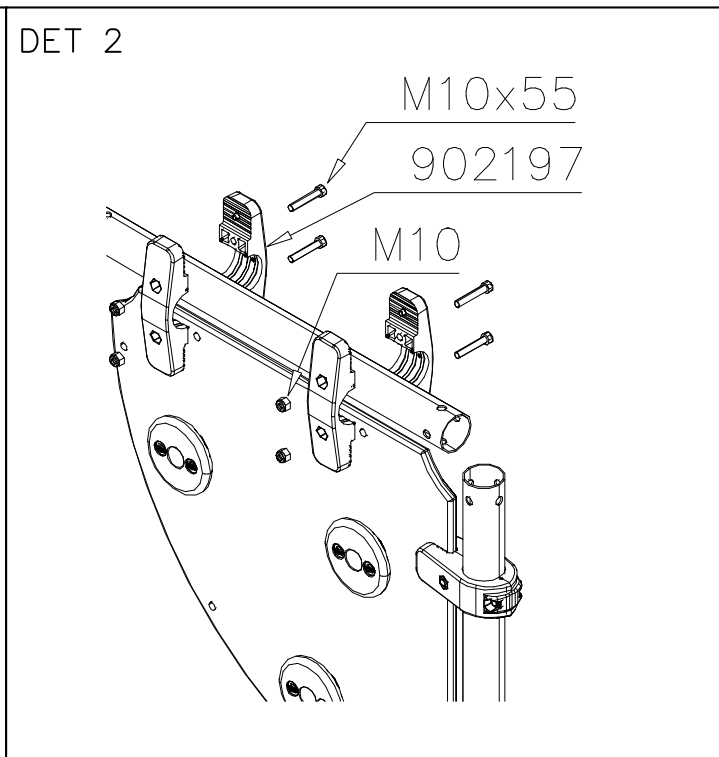
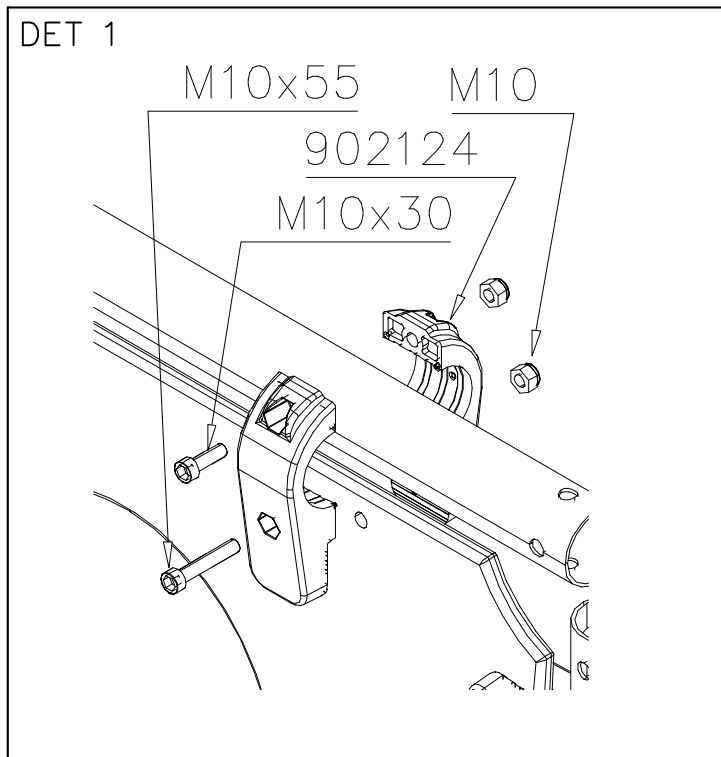



- EN/AS Impact Area 45.6 m<sup>2</sup>
- - - - Falling Space 45.6 m<sup>2</sup>
- Max Falling Height 1820 mm



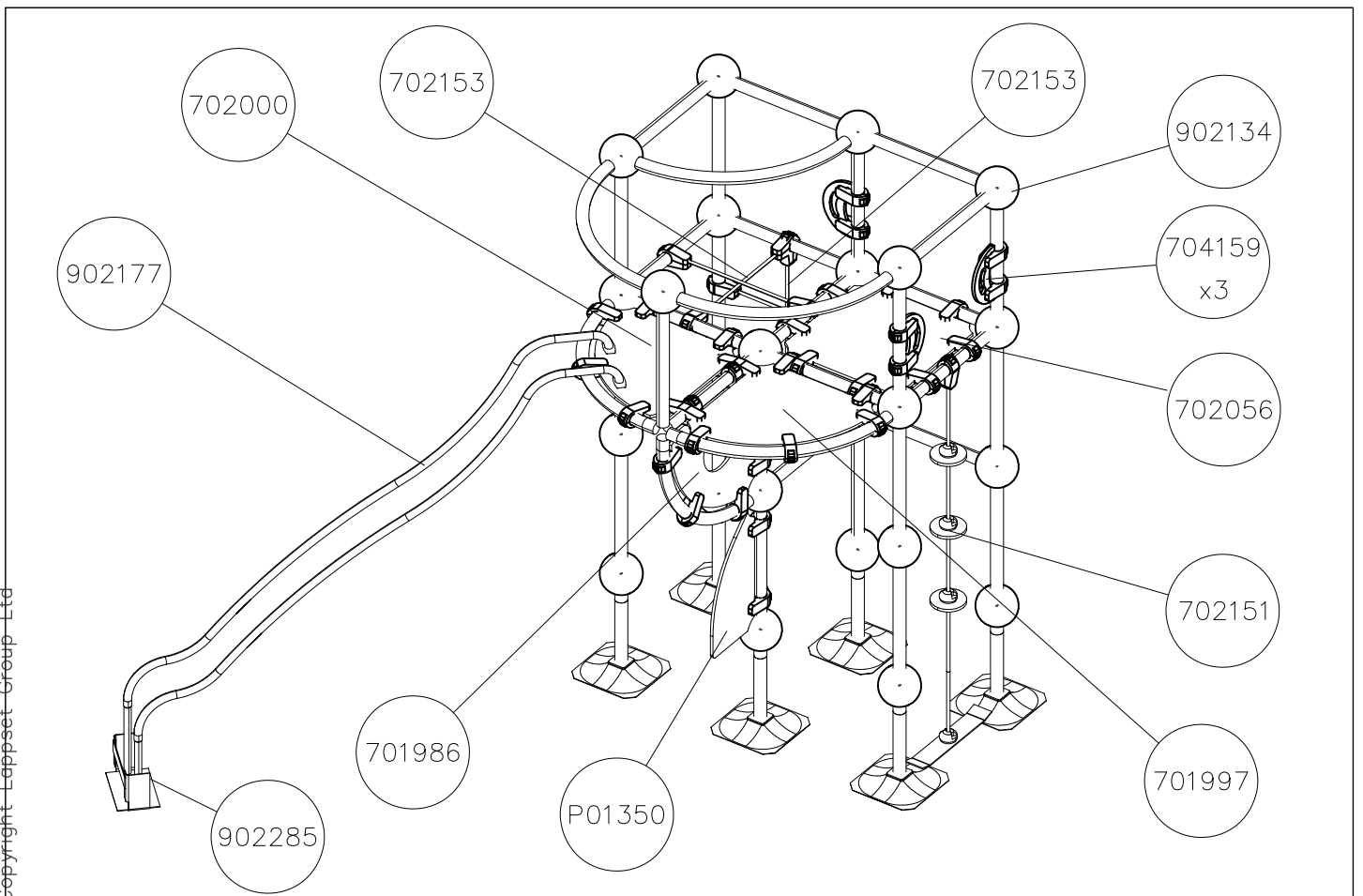
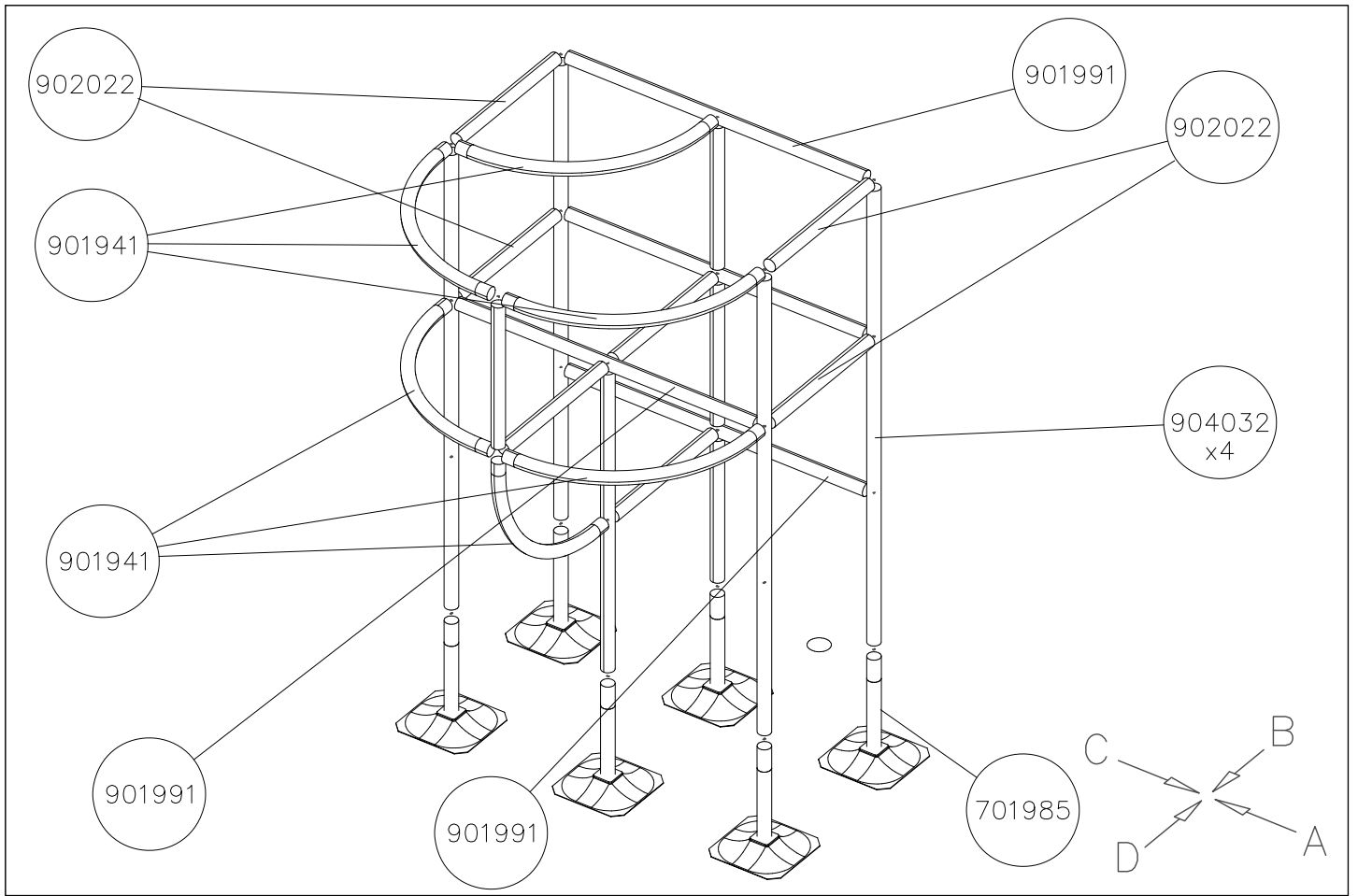








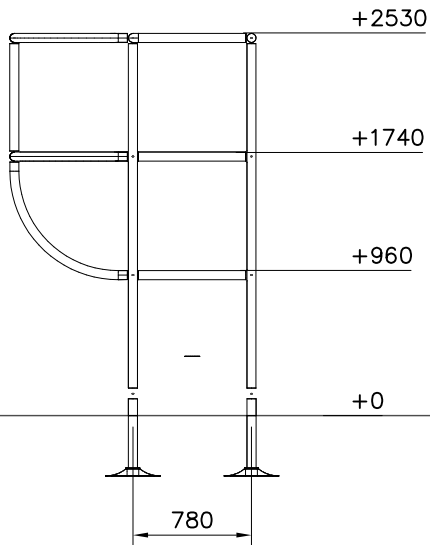
DATE: 12.1.2018



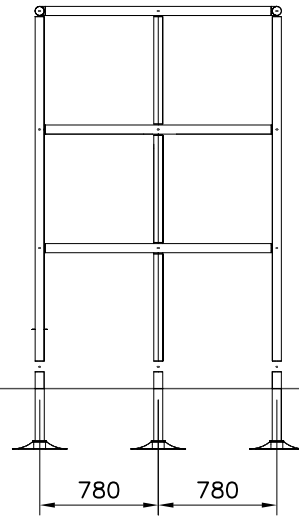
DATE: 12.1.2018

1:50

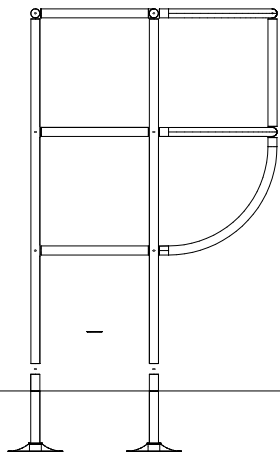
(A)



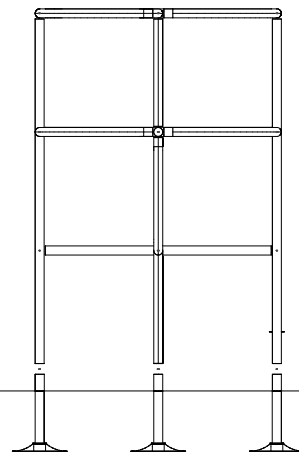
(B)

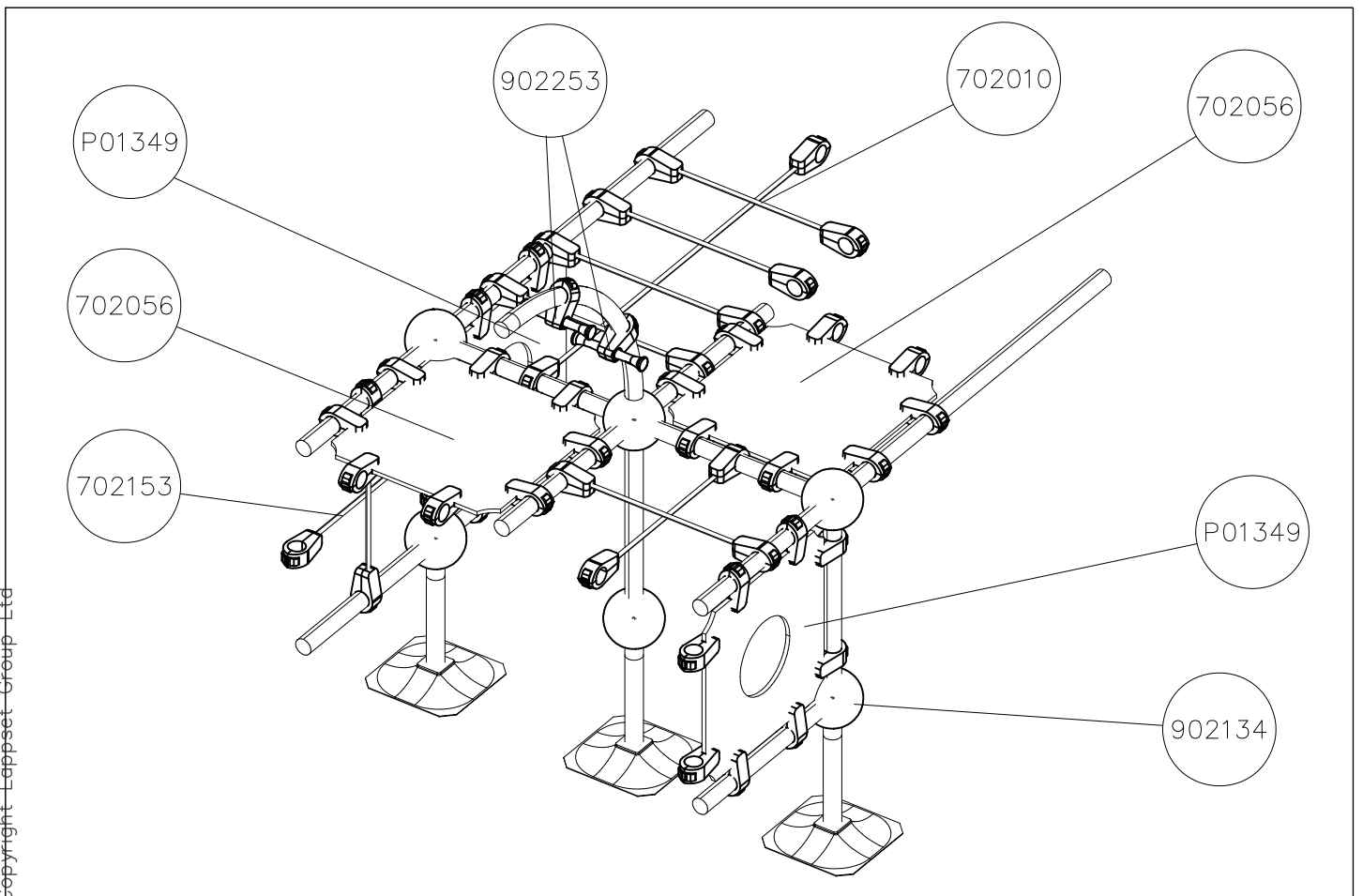
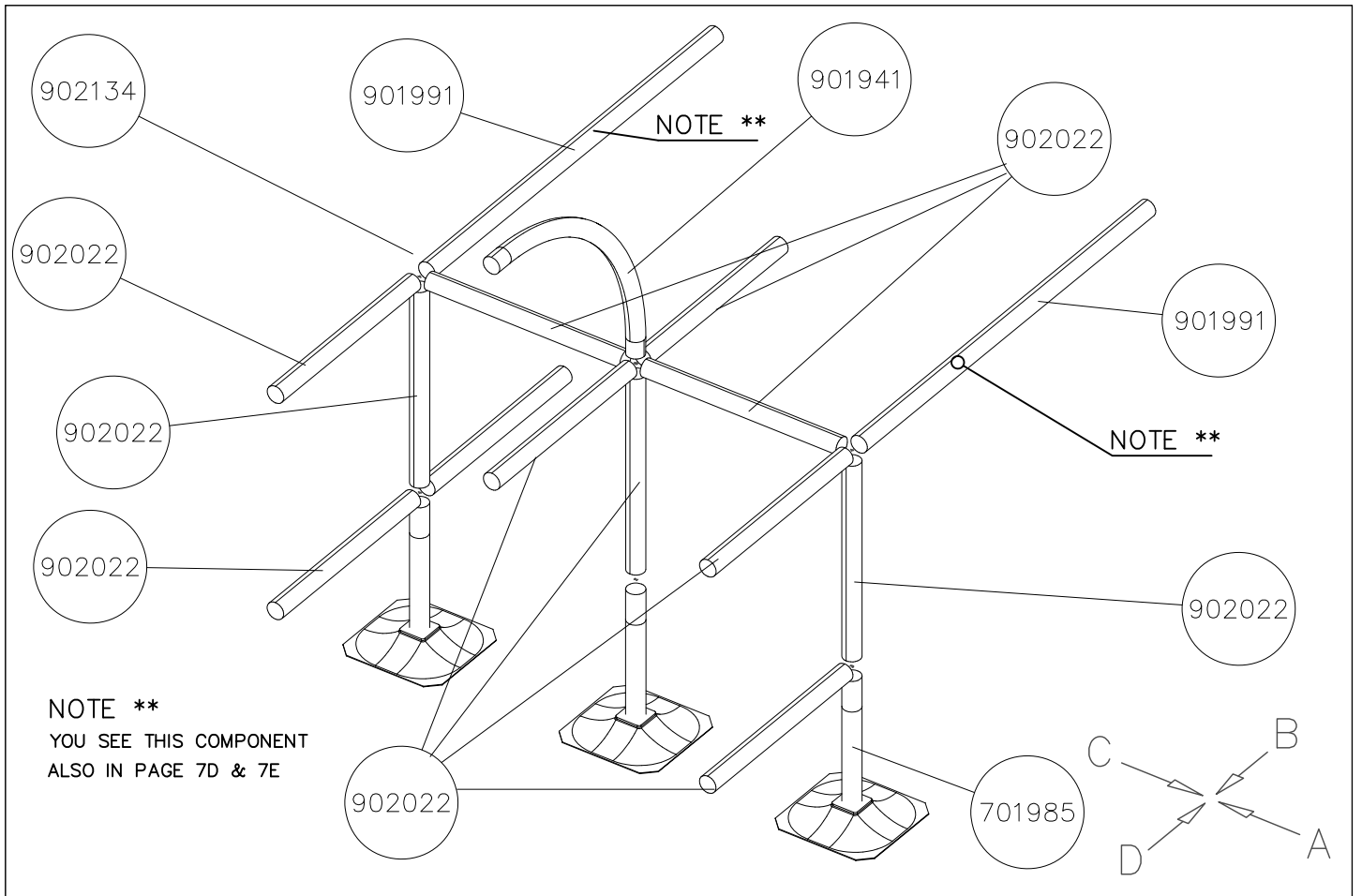


(C)



(D)

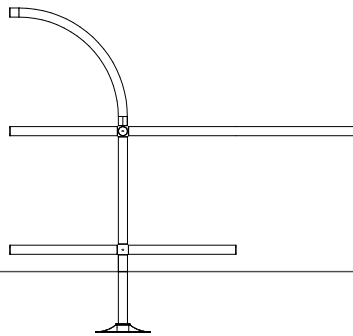




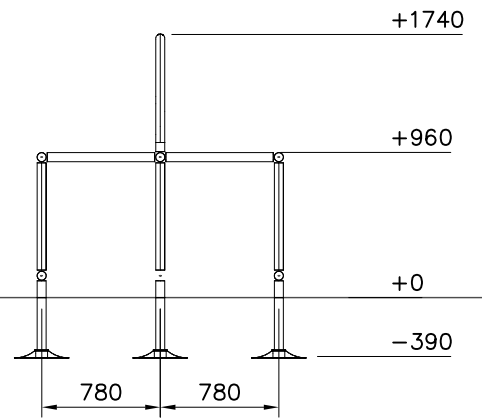
DATE: 12.1.2018

1:50

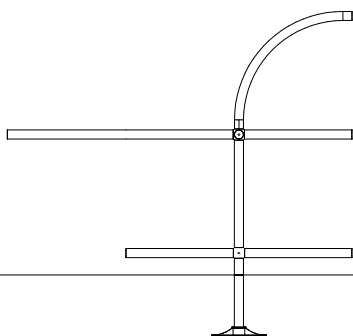
A



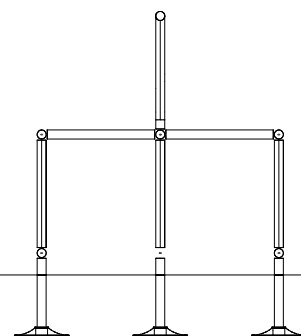
B

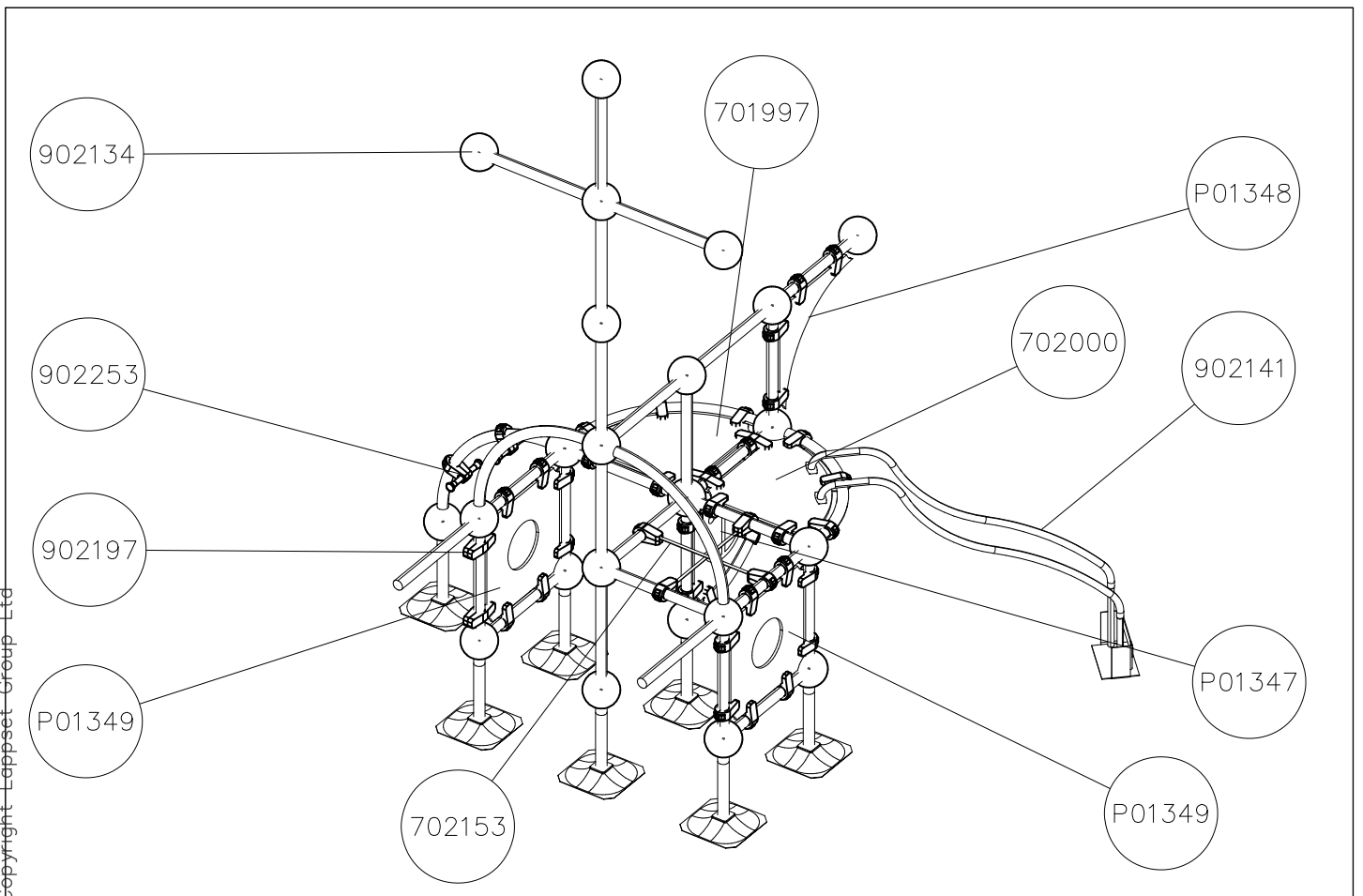
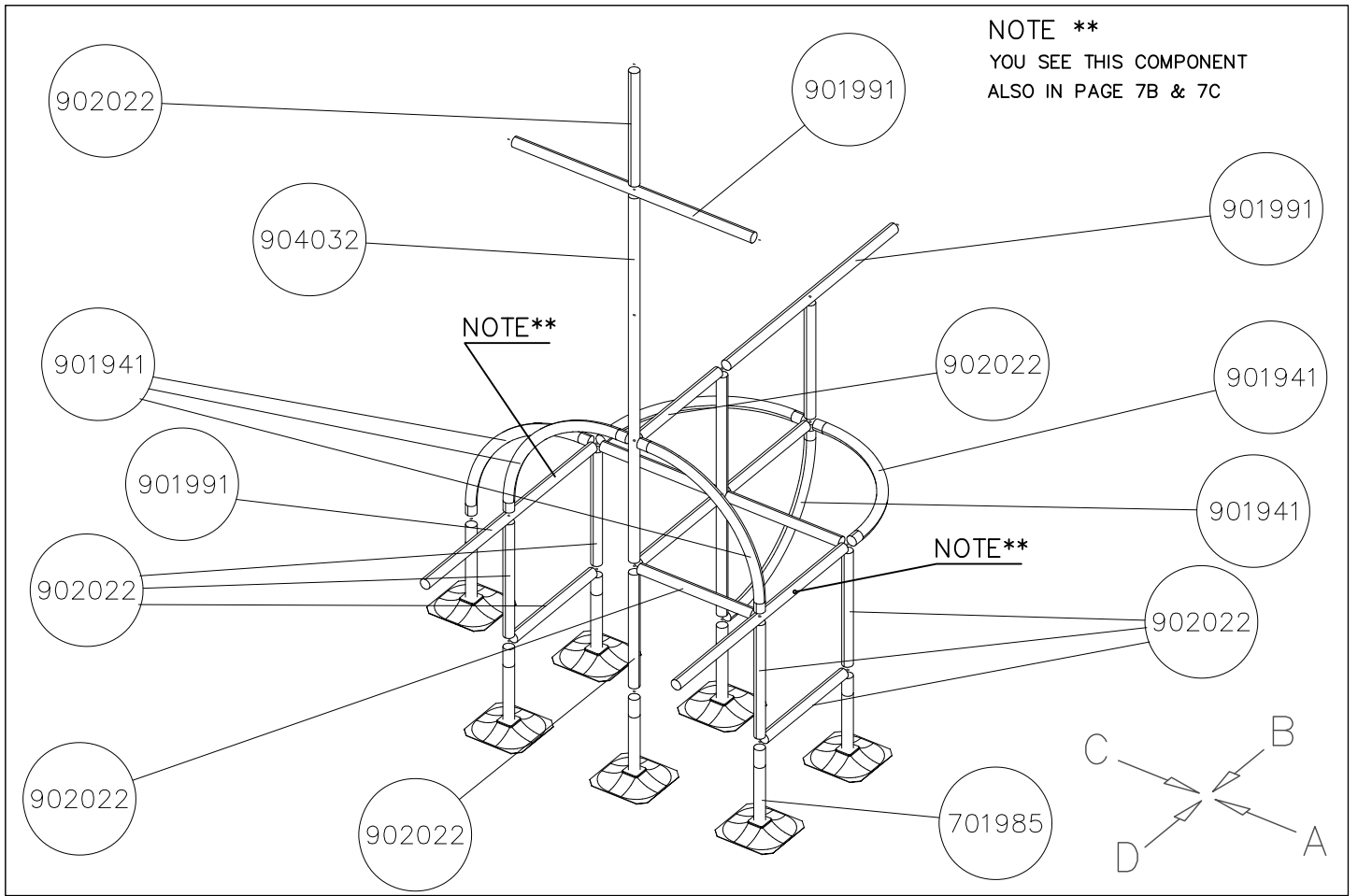


C



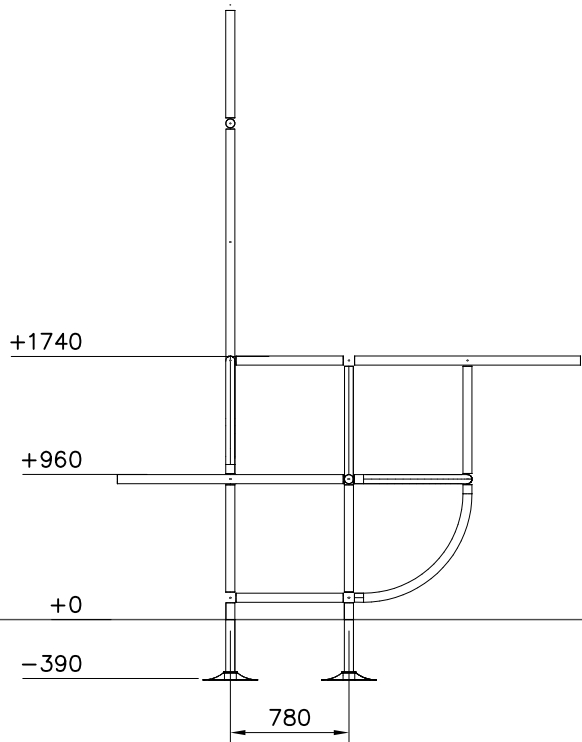
D



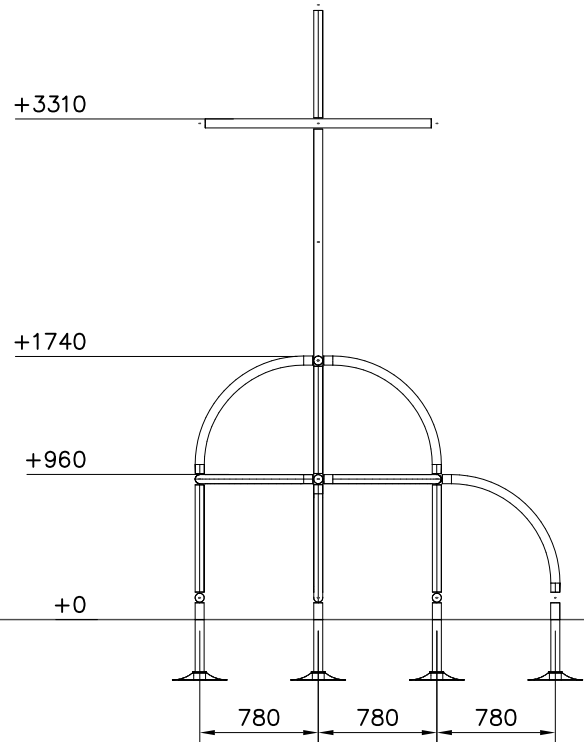


1:50

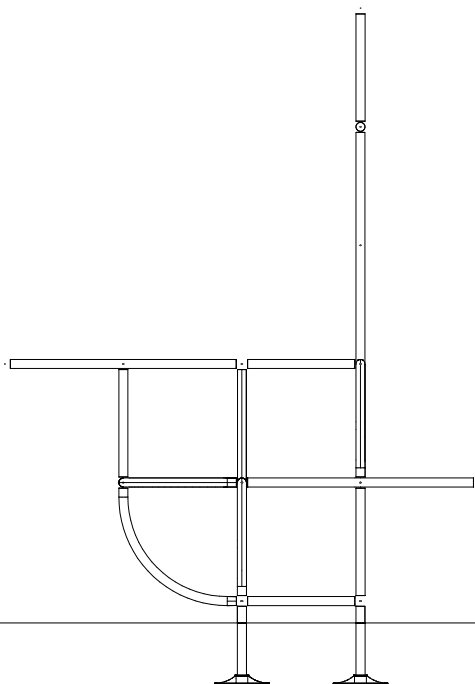
A



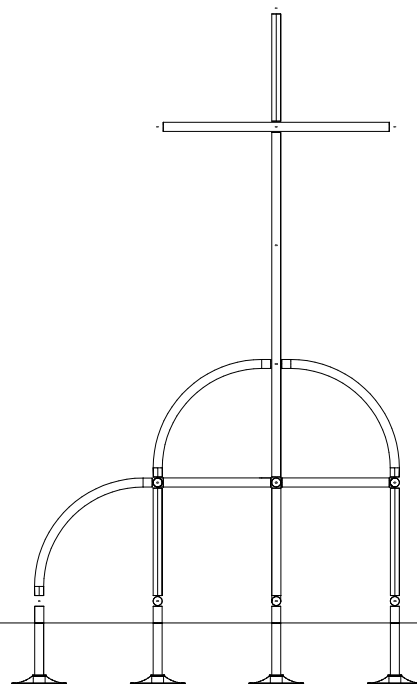
B



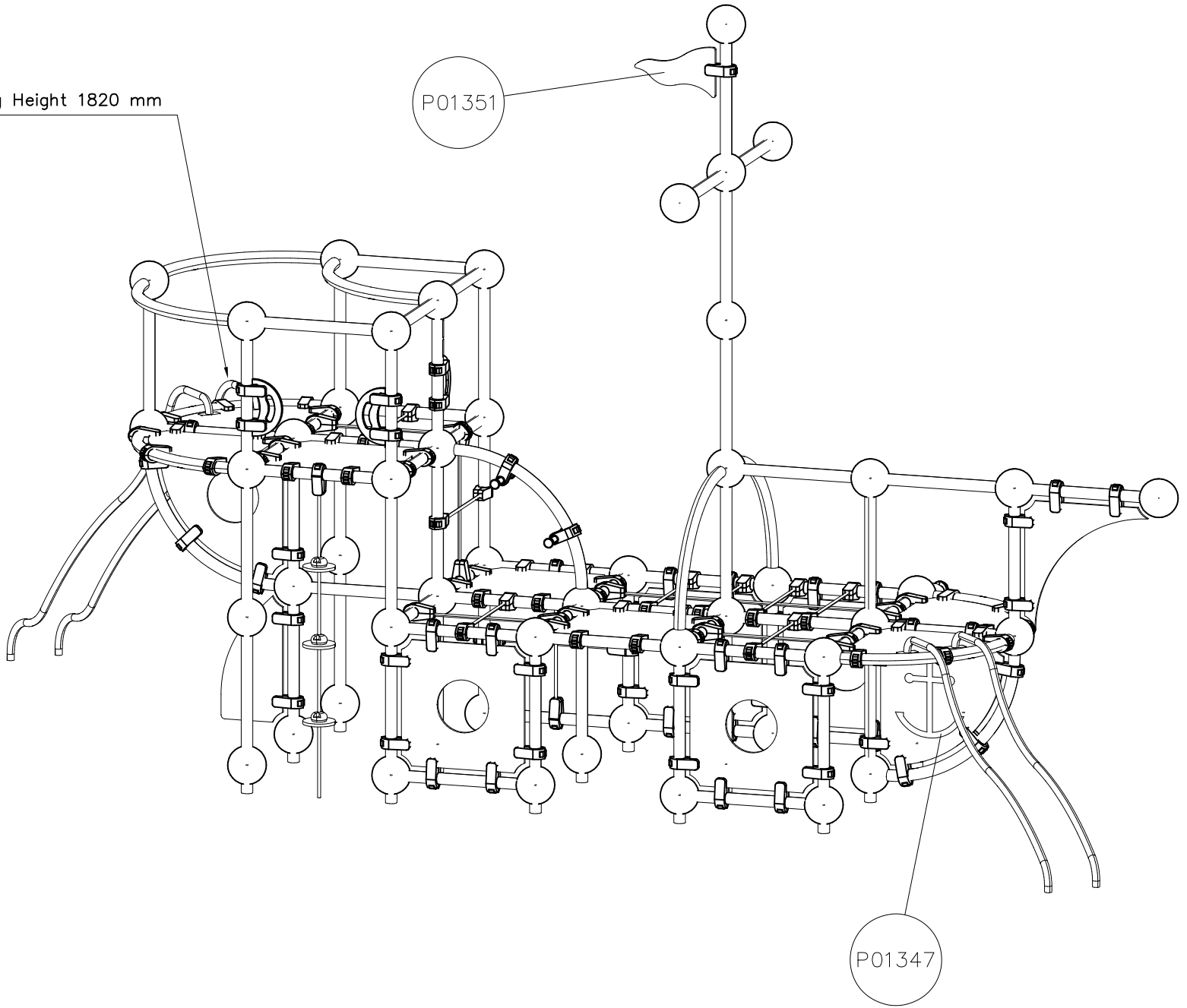
C

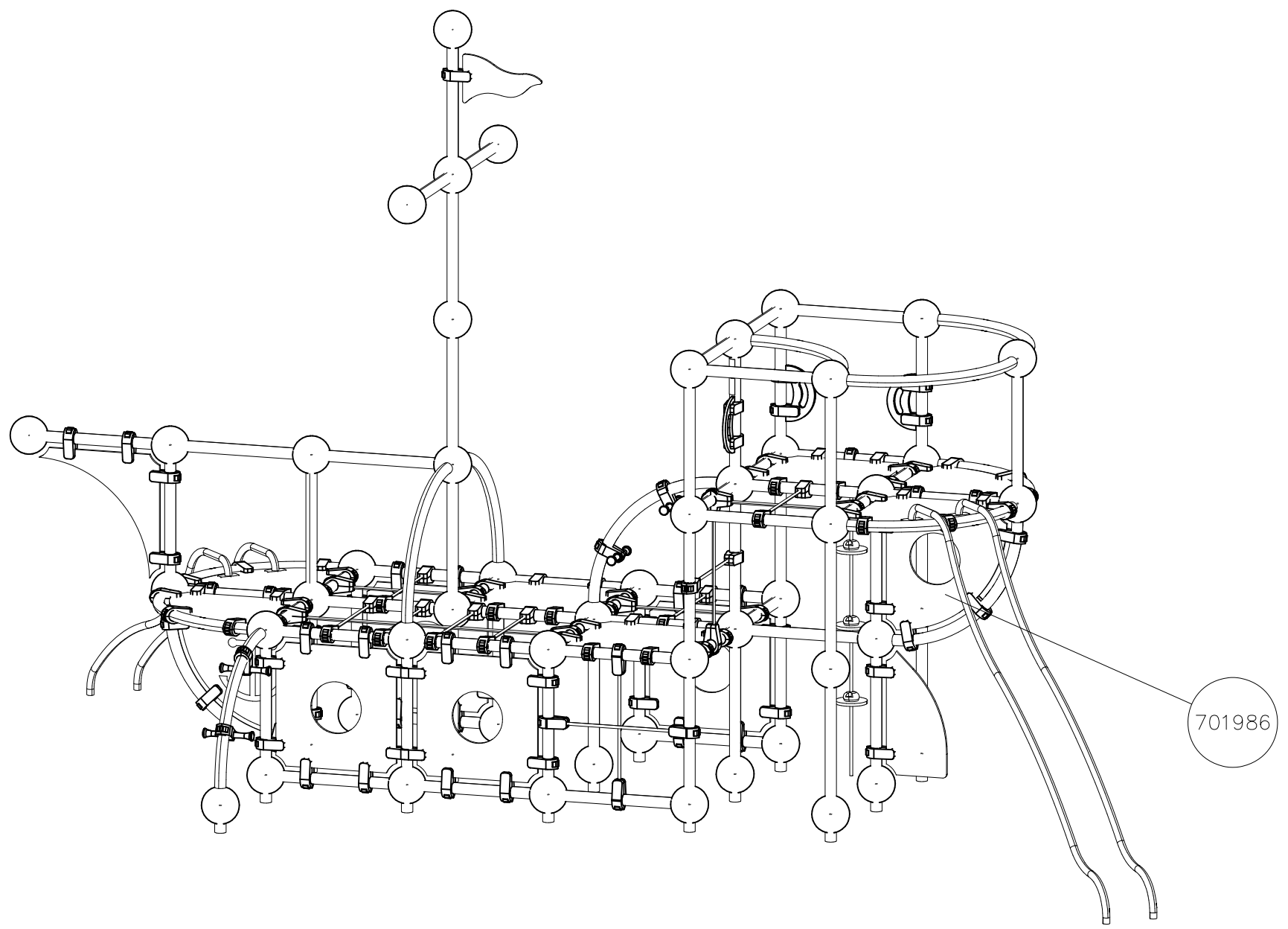


D

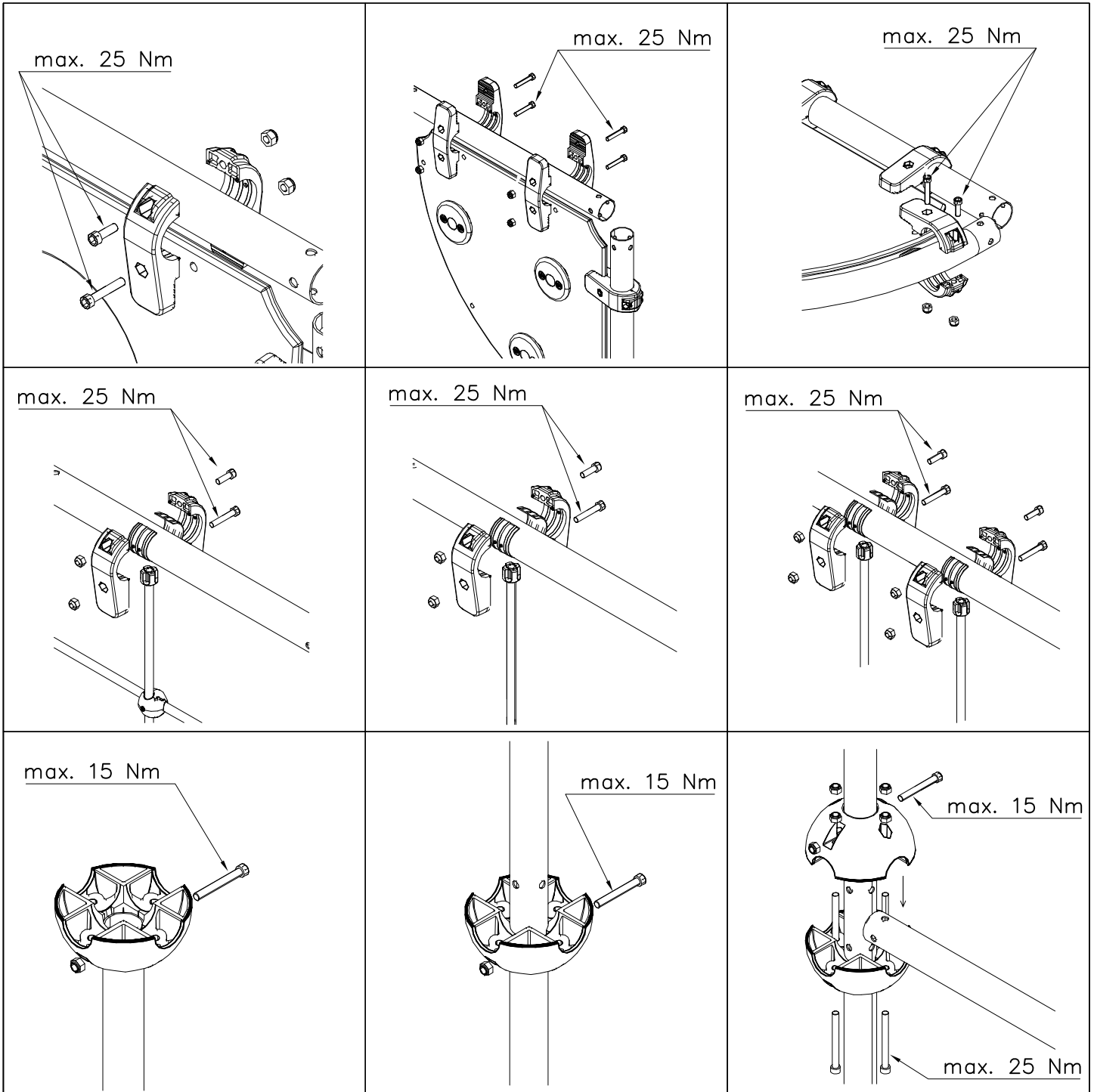


Max Falling Height 1820 mm





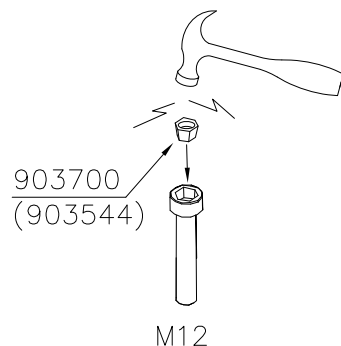
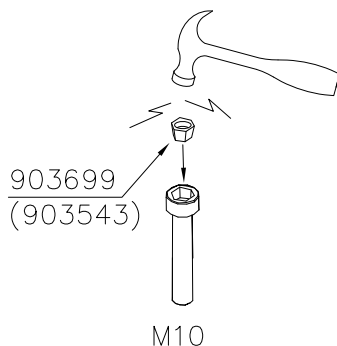




Security plugs are included only for selected products.

Hox!  
Pultit on kiristettävä lopulliseen kireyteen, ennen turvapinnien asennusta.

Note!  
Tighten bolts properly, before installing security plugs.



		
<p><b><math>h &lt; 600</math></b></p> <p>Without movement and therefore without Impact Area</p>	<p>Totally hard surfaces.</p> <p>Note. Lappset does <u>not recommend</u> totally hard surfaces at all.</p>	<p>E.g. concrete or asphalt</p> 
<p><b><math>h &lt; 600</math></b></p> <p>With movement e.g. rocking</p>	<p>Materials with very limited impact attenuating properties.</p>	<p>E.g. wood</p> 
<p><b><math>h &lt; 1000</math></b></p>	<p>Materials with significant impact attenuating properties.</p>	<p>fine gravel 0–8 mm</p>  <p>grass</p>  <p>unsorted sand</p> 
<p><b><math>h &lt; 3000</math></b></p>	<p>Loose fill material</p> <p>E.g. sand/gravel 0,25...8 mm D60/D10&lt;3,0 Woodchips 5...30 mm bark 20...80 mm</p>	 <p><math>\underline{S}</math>                      <math>\underline{h}</math></p> <p>30 cm                      &lt; 2,0 m</p> <p>40 cm                      &lt; 3,0 m</p>
	<p>Syntethic granulates</p> <p><math>\underline{S}</math>                      <math>\underline{h}</math></p> <p>40 mm ~&gt; 1,2...1,3 m</p> <p>50 mm ~&gt; 1,5...1,7 m</p> <p>60 mm ~&gt; 1,8...2,0 m</p> <p>70 mm ~&gt; 2,1...2,5 m</p> <p>Note. For accurate values, see manufacturer's instructions.</p>	

REMOVE SAFETY SURFACE/SAND/GRAVEL  
TO CHECK FOUNDATION



REMOVE SAFETY SURFACE/SAND/GRAVEL  
TO CHECK FOUNDATION





## Tuotekyltti tulee tuotteen mukana yhdellä seuraavista tavoista:

### 1) Metallinen tuotekyltti ja kiinnitysruuvit

- Kiinnitä tuotekyltti ruuveilla tolppaan noin 2 metrin korkeuteen kuvan 1 mukaisesti.

### 2) Tuotekylttitarra

- Puhdista maalattu metalli- tai vaneripinta pölystä ja kosteudesta. Liimaa tarra kuvan 2 mukaisesti.
- Huom. Älä kiinnitä tarraa karheapintaiseen laminaattiin tai maalattuun puuhun.

## Vår produktmärkning levereras på ett av följande sätt:

### 1) Produktskylt i metall

- Fäst skylten med de medföljande skruvarna

### 2) Självhäftande produktetikett

- Rengör den pulverlackerade metallytan eller laminatyten så att den blir fri från smuts och fukt. Fäst etiketten enligt fig. 2.
- Obs! Fäst ej etiketten på detaljer med skrovlig yta eller på målat trä.

## Product label is delivered by one of following ways:

### 1) Metal product label and screws

- Fasten the label with screws.

### 2) Label sticker

- Clean the painted metal or plywood surface from dirt and moisture. Fasten the sticker as shown in the figure 2.
- Note. Do not attach the sticker to rough surfaced laminate or painted wood.

## La plaque d'informations produit est livrée sous l'une de ces 3 formes :

### 1) Plaque métallique et vis

- Fixez la plaque à l'aide des vis.

### 2) Etiquette autocollante

- Avant de coller l'étiquette, nettoyez le composant métallique peint ou la plaque de contreplaqué, de toute saleté. La surface doit être sèche (voir image 2).
- Attention, ne pas coller l'étiquette sur une surface lamellé-collée irrégulière ou sur du bois peint.

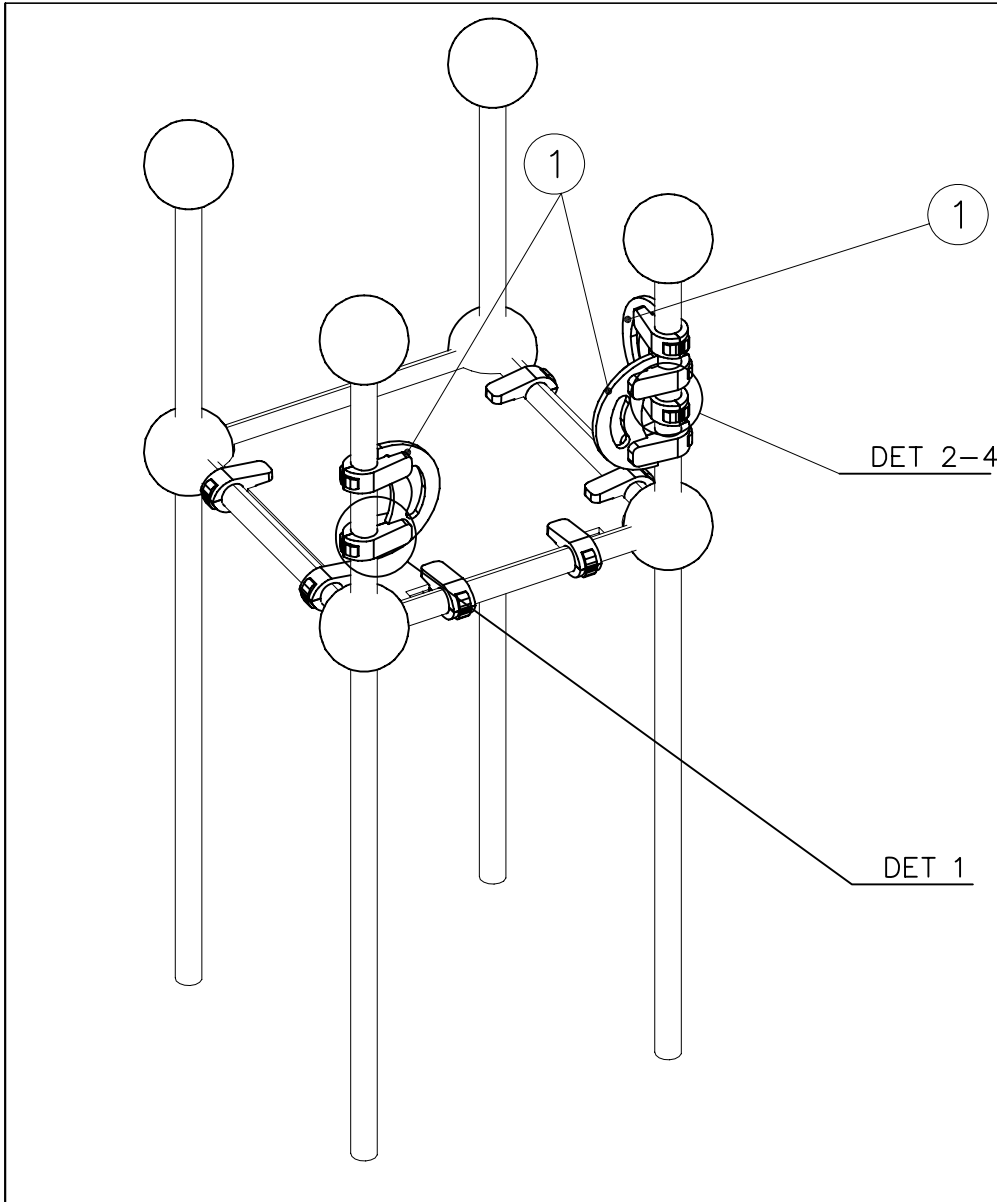
## Die Auslieferung des Produktaufklebers erfolgt auf eine dieser Arten:

### 1) Produkt-Schild aus Metall incl. Schrauben

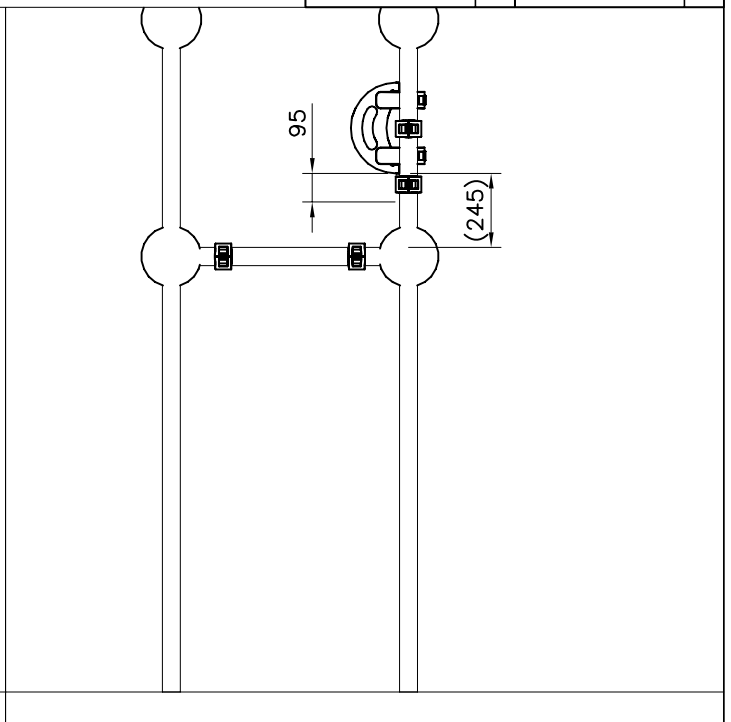
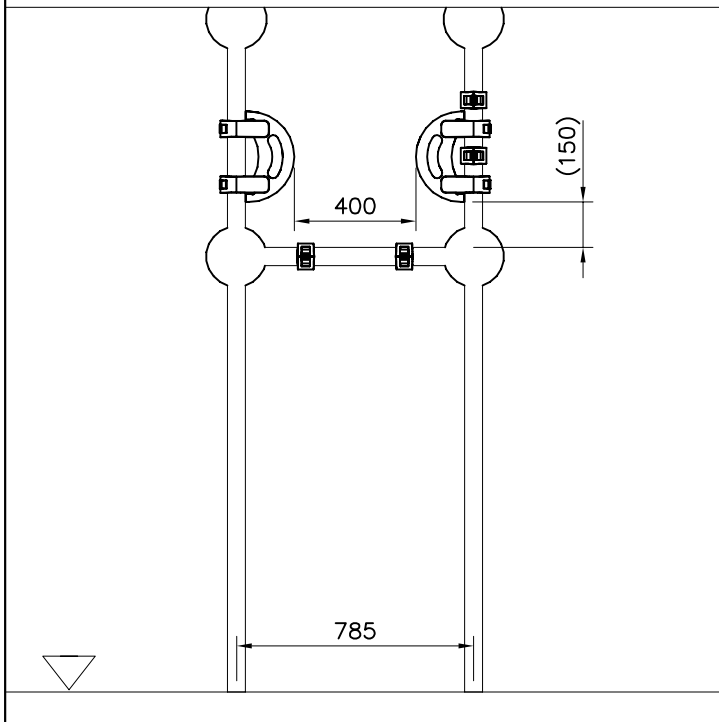
- Die Befestigung des Schildes erfolgt mittels der Schrauben.

### 2) Aufkleber

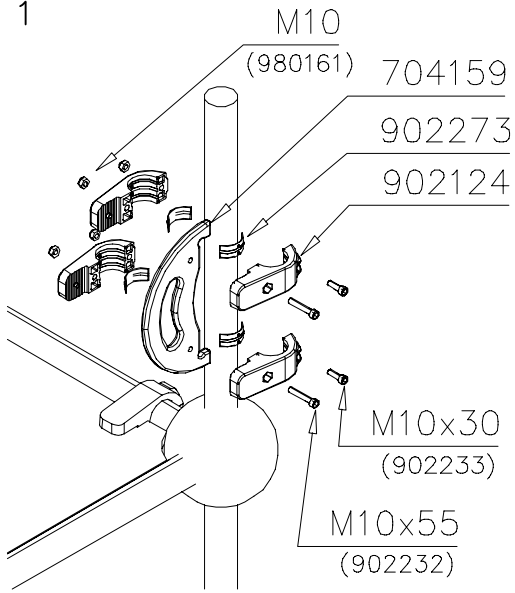
- Entfernen Sie zunächst Schmutz und Feuchtigkeit vom lackierten Metall bzw. von der Holzoberfläche und bringen Sie den Aufkleber wie im Bild oben rechts beschrieben auf den gesäuberten Untergrund auf.
- Beachten Sie: Bringen Sie den Aufkleber nicht auf raues laminiertes oder lackiertes Holz an.



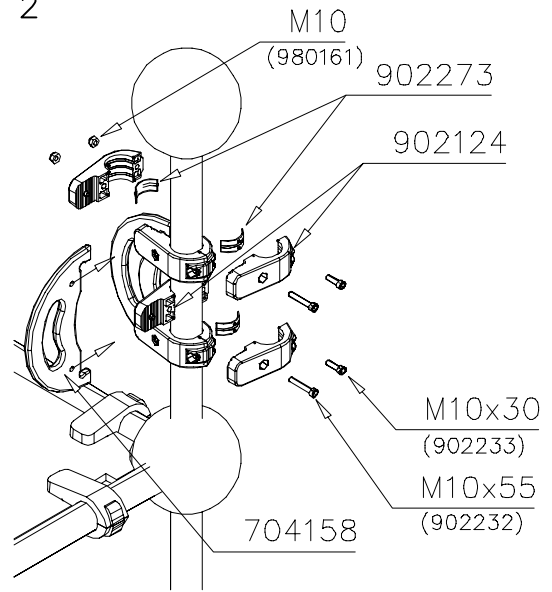
① 704158	PCS	② 902124	PCS
	1		4
		150x50x50	
③ 902232	PCS	④ 902233	PCS
	2		2
M10x55		M10x30	
⑤ 902273	PCS	⑥ 980161	PCS
	4		4
		M10	
	PCS		PCS
	PCS		PCS



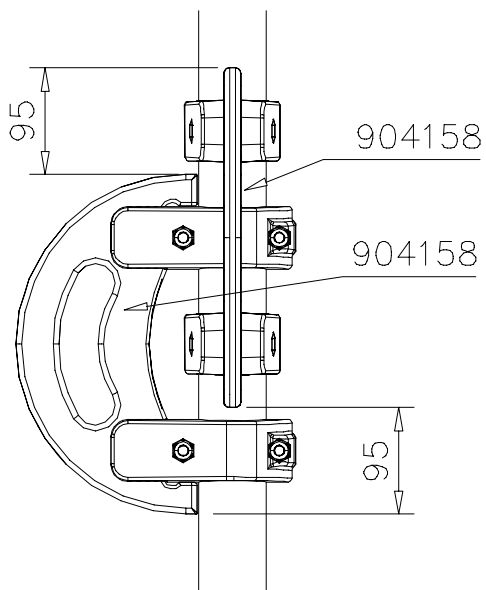
DET 1



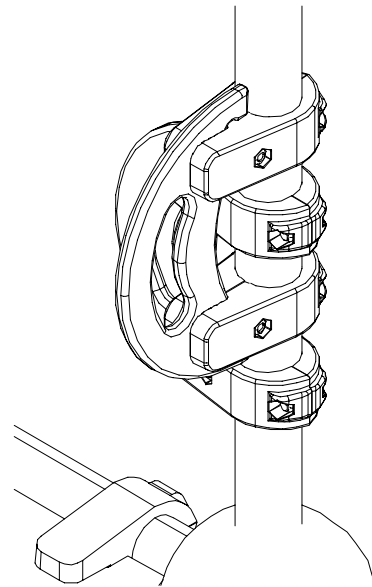
DET 2



DET 3



DET 4





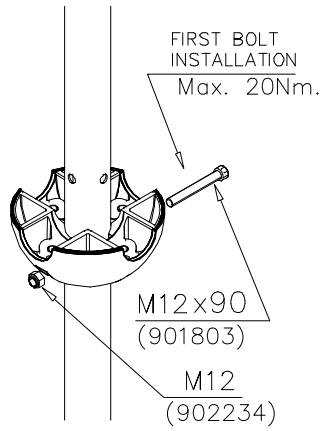
DO NOT TIGHTEN THE JOINTS UNTIL THE STRUCTURE IS COMPLETE.

① 901803	PCS	② 901994	PCS
	2		2
M12x90		Ø190	
③ 902096	PCS	④ 902234	PCS
	4		6
M12x120		M12	
	PCS		PCS
	PCS		PCS
	PCS		PCS
	PCS		PCS
	PCS		PCS
	PCS		PCS

DET 1



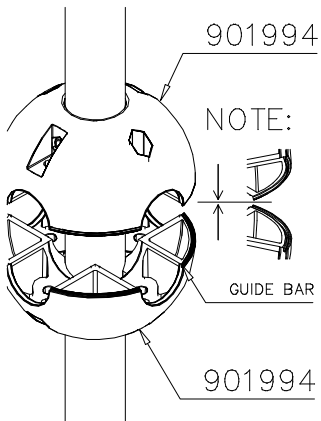
DET 2



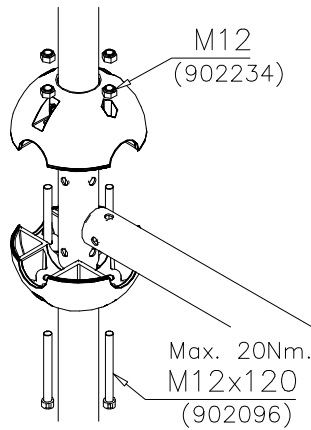
DET 3



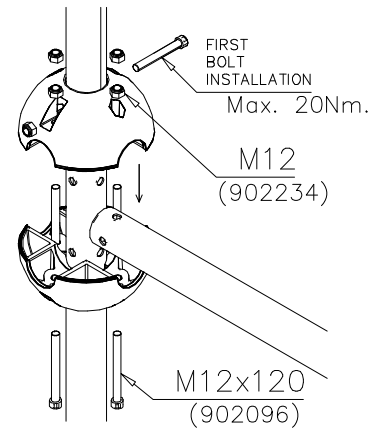
DET 4



DET 5

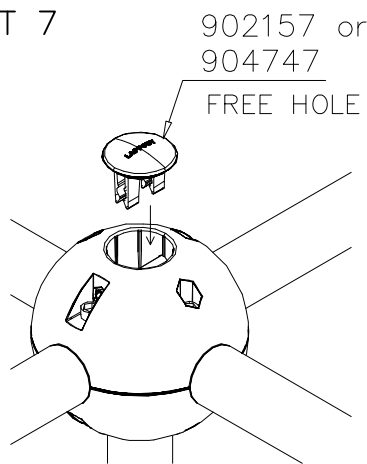


DET 6



REMEMBER  
FINAL  
TIGHTENING

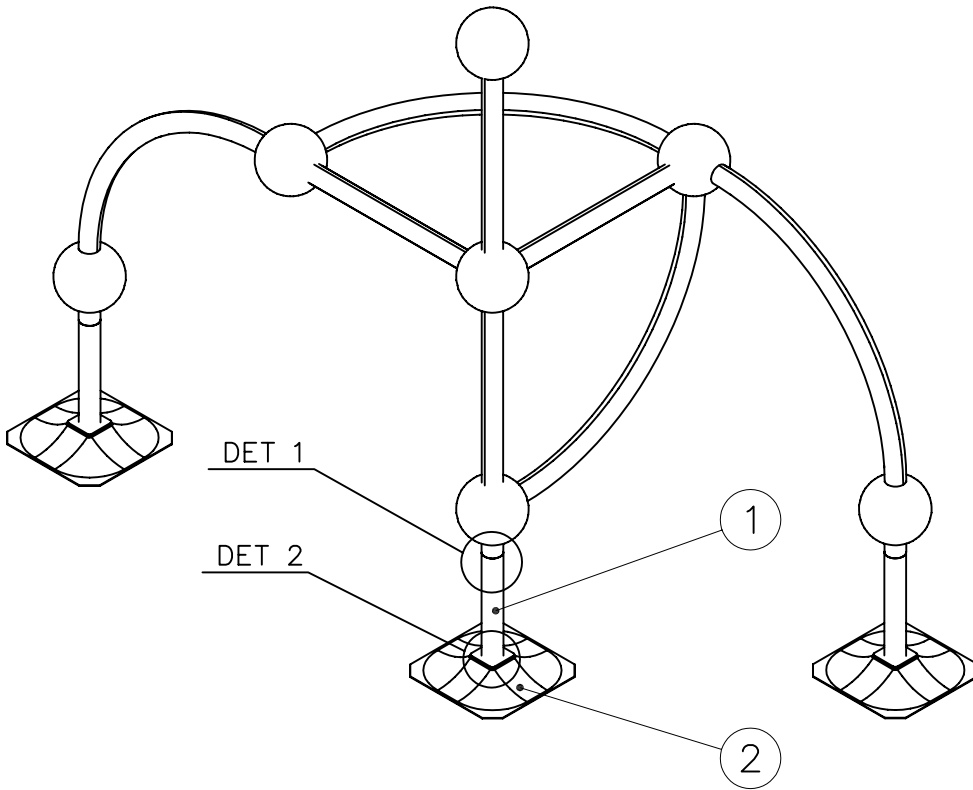
DET 7


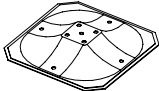


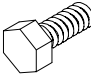


DET 8

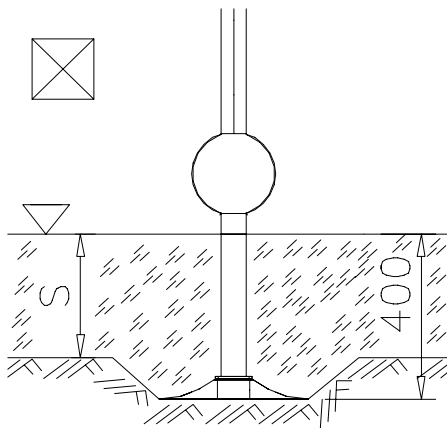




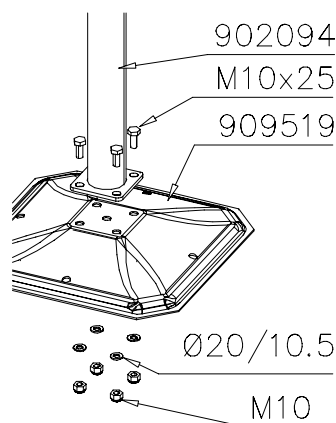


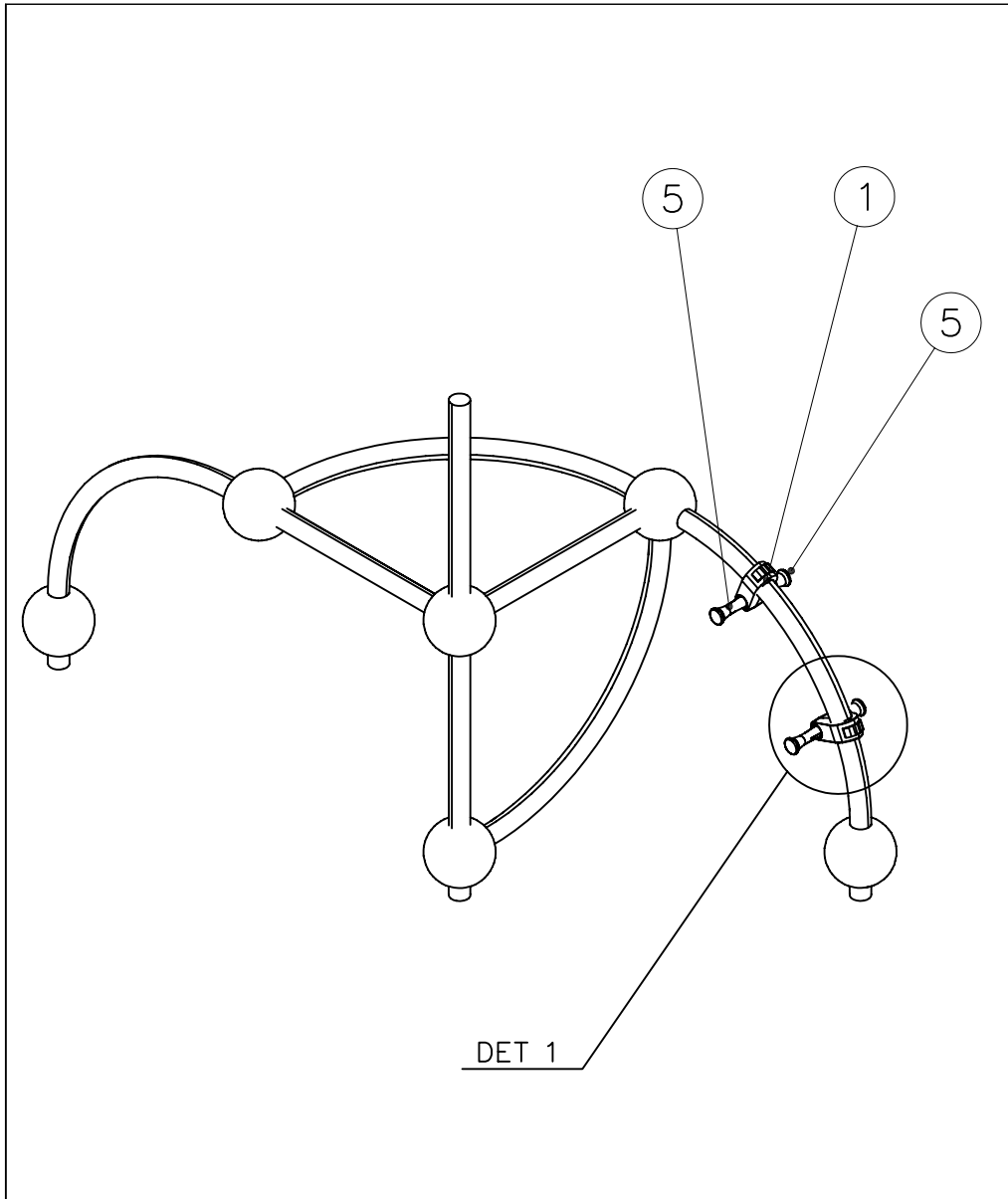
① 902094	PCS	② 909519	PCS
	1		1
Ø60x450		50x380x380	
③ 909637	PCS	④ 909638	PCS
	4		4
M10		Ø20/10,5	
⑤ 909639	PCS		PCS
	4		
M10x25			
	PCS		PCS
	PCS		PCS
	PCS		PCS

DET 1

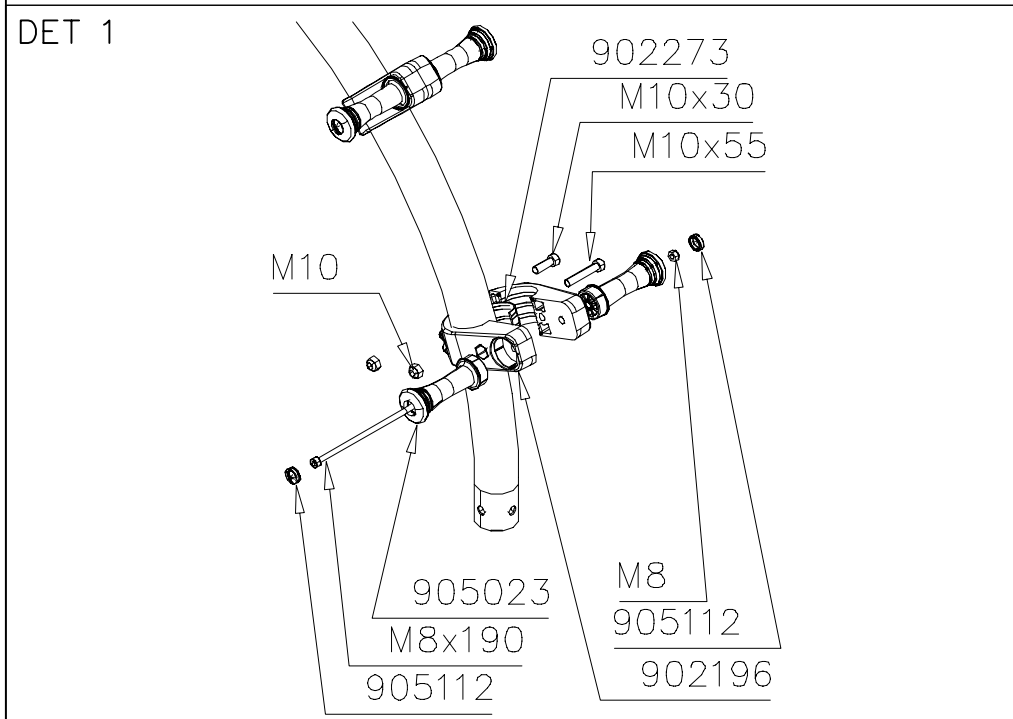


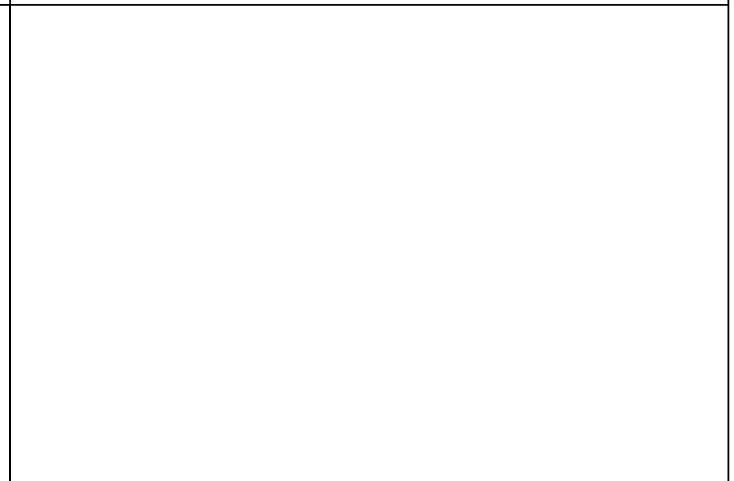
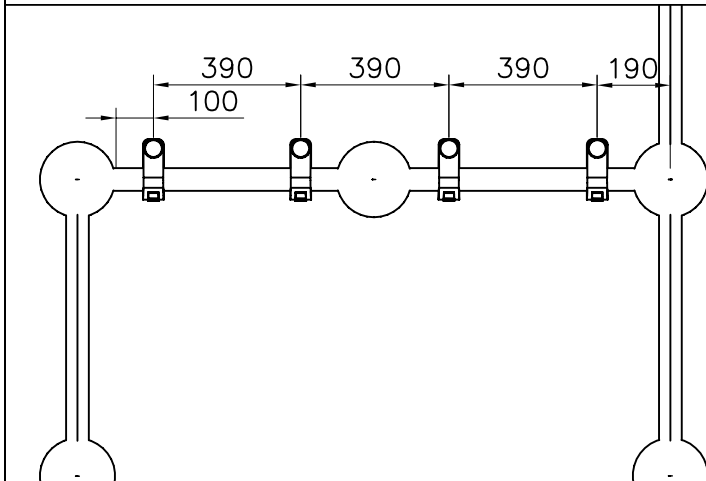
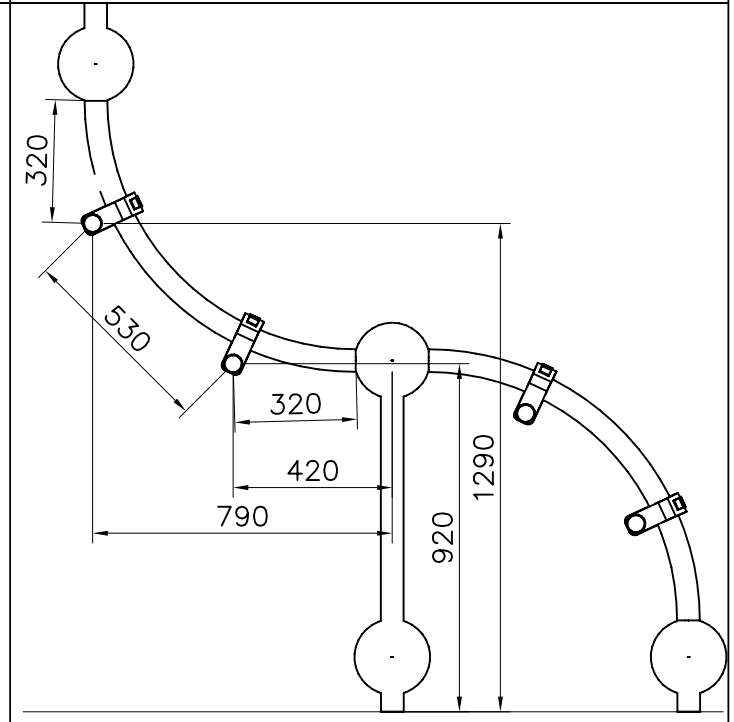
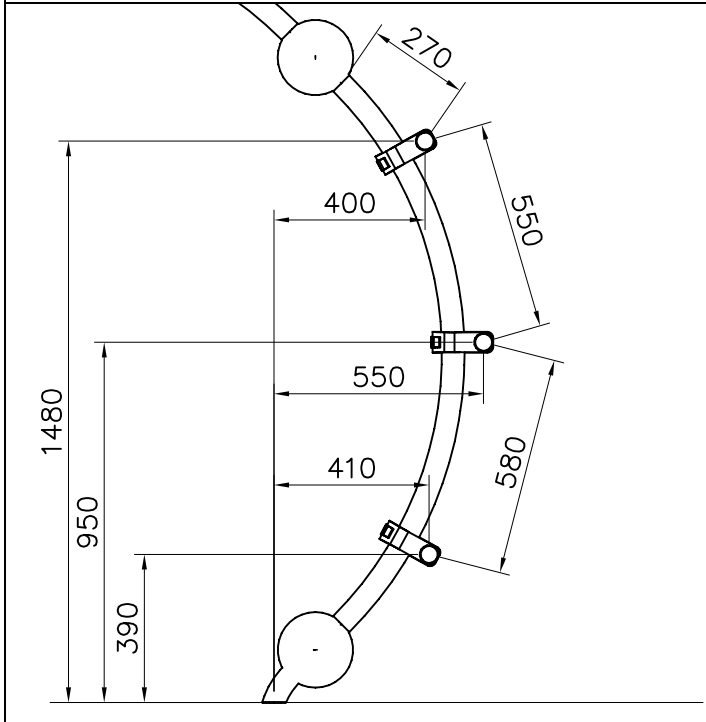
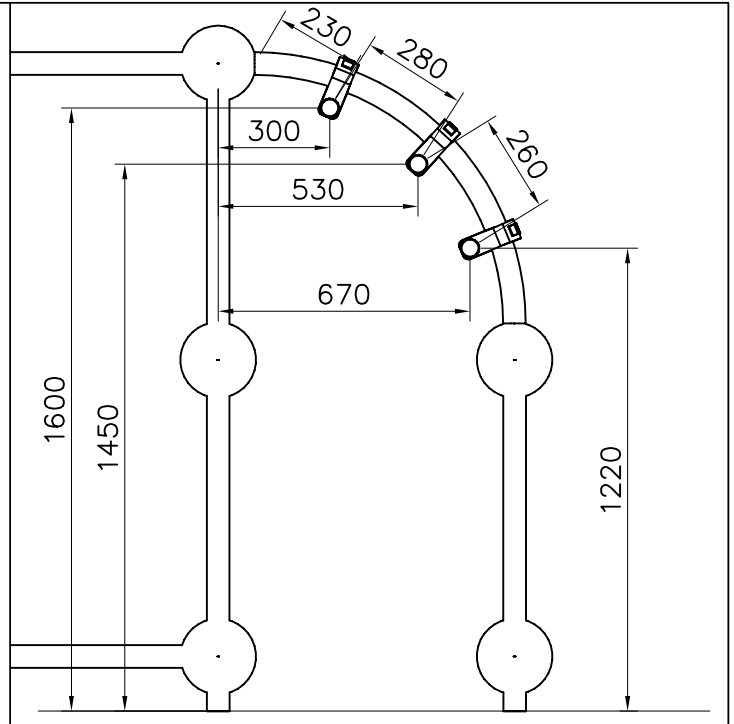
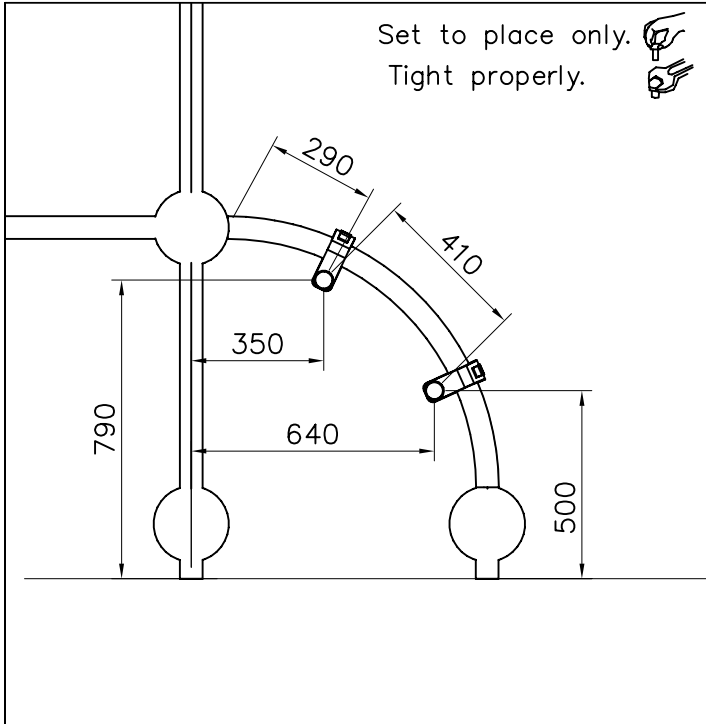
DET 2





① 902196	PCS	② 902232	PCS
	2		1
150x50x50		M10x55	
③ 902233	PCS	④ 902273	PCS
	1		2
M10x30			
⑤ 905023	PCS	⑥ 905112	PCS
	2		2
Ø50x126		Ø22	
⑦ 909195	PCS	⑧ 980150	PCS
	1		1
M8x190		M8	
⑨ 980161	PCS		PCS
	2		
M10			
	PCS		PCS



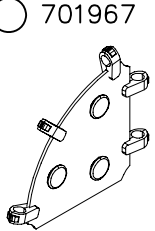
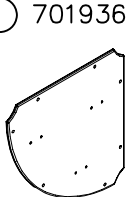
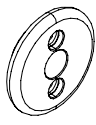
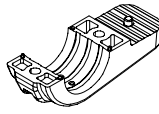
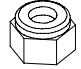
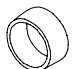
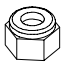

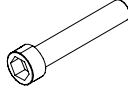
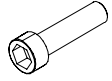
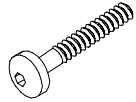
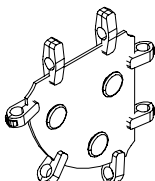
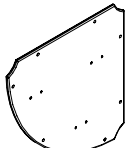

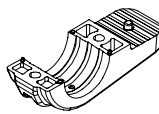
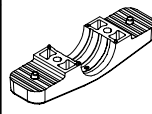
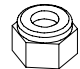



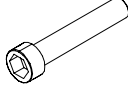
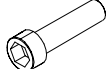
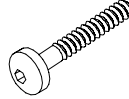
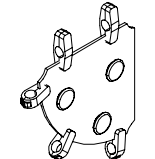
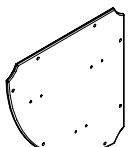

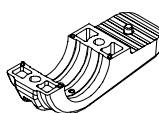
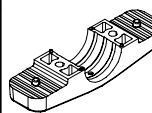
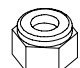

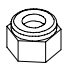

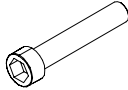
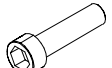
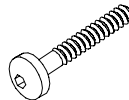


# LAPPSET® WALL AND FLOOR

# CLOXX

DATE: 3.8.2010

1(3)

 <p>701967</p>	 <p>701936</p> <p>668x668x15</p>	<p>PCS</p> <p>1</p>	 <p>929322</p> <p>Ø120x30</p>	<p>PCS</p> <p>3</p>	 <p>902124</p> <p>150x50x50</p>	<p>PCS</p> <p>10</p>	 <p>980161</p> <p>M10</p>	<p>PCS</p> <p>10</p>	 <p>905112</p> <p>Ø22</p>	<p>PCS</p> <p>6</p>	 <p>980150</p> <p>M8</p>	<p>PCS</p> <p>6</p>
	 <p>909256</p> <p>Ø16/8.4x1.6</p>	<p>PCS</p> <p>6</p>	 <p>902232</p> <p>M10x55</p>	<p>PCS</p> <p>5</p>	 <p>902233</p> <p>M10x30</p>	<p>PCS</p> <p>5</p>	 <p>901899</p> <p>M8x45</p>	<p>PCS</p> <p>6</p>		<p>PCS</p>		<p>PCS</p>
		<p>PCS</p>		<p>PCS</p>		<p>PCS</p>		<p>PCS</p>		<p>PCS</p>		<p>PCS</p>
 <p>701987</p>	 <p>701936</p> <p>668x668x15</p>	<p>PCS</p> <p>1</p>	 <p>929322</p> <p>Ø120x30</p>	<p>PCS</p> <p>3</p>	 <p>902124</p> <p>150x50x50</p>	<p>PCS</p> <p>10</p>	 <p>902197</p> <p>200x50x50</p>	<p>PCS</p> <p>4</p>	 <p>980161</p> <p>M10</p>	<p>PCS</p> <p>14</p>	 <p>905112</p> <p>Ø22</p>	<p>PCS</p> <p>6</p>
	 <p>980160</p> <p>M8</p>	<p>PCS</p> <p>6</p>	 <p>909256</p> <p>Ø16/8.4x1.6</p>	<p>PCS</p> <p>6</p>	 <p>902232</p> <p>M10x55</p>	<p>PCS</p> <p>9</p>	 <p>902233</p> <p>M10x30</p>	<p>PCS</p> <p>5</p>	 <p>901899</p> <p>M8x45</p>	<p>PCS</p> <p>6</p>		<p>PCS</p>
		<p>PCS</p>		<p>PCS</p>		<p>PCS</p>		<p>PCS</p>		<p>PCS</p>		<p>PCS</p>
 <p>702046</p>	 <p>701936</p> <p>668x668x15</p>	<p>PCS</p> <p>1</p>	 <p>929322</p> <p>Ø120x30</p>	<p>PCS</p> <p>3</p>	 <p>902124</p> <p>150x50x50</p>	<p>PCS</p> <p>10</p>	 <p>902197</p> <p>200x50x50</p>	<p>PCS</p> <p>4</p>	 <p>980161</p> <p>M10</p>	<p>PCS</p> <p>10</p>	 <p>905112</p> <p>Ø22</p>	<p>PCS</p> <p>6</p>
	 <p>980150</p> <p>M8</p>	<p>PCS</p> <p>6</p>	 <p>909256</p> <p>Ø16/8.4x1.6</p>	<p>PCS</p> <p>6</p>	 <p>902232</p> <p>M10x55</p>	<p>PCS</p> <p>7</p>	 <p>902233</p> <p>M10x30</p>	<p>PCS</p> <p>3</p>	 <p>901899</p> <p>M8x45</p>	<p>PCS</p> <p>6</p>		<p>PCS</p>
		<p>PCS</p>		<p>PCS</p>		<p>PCS</p>		<p>PCS</p>		<p>PCS</p>		<p>PCS</p>

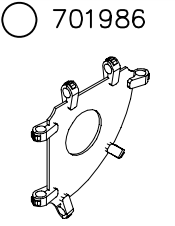
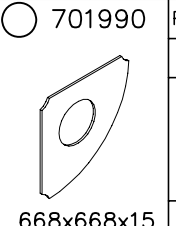
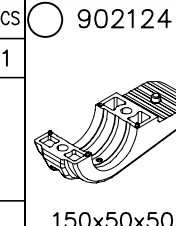
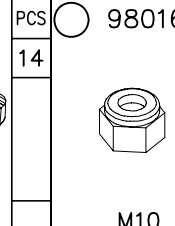
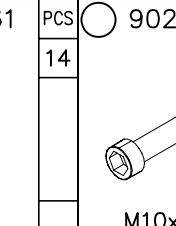
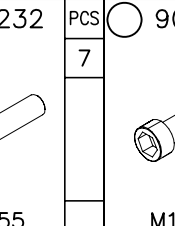
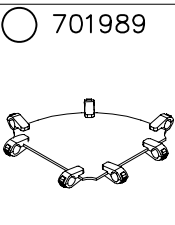
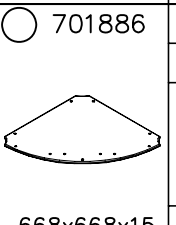
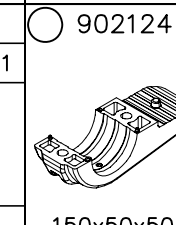
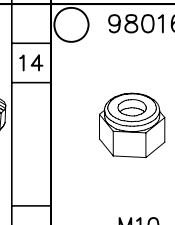
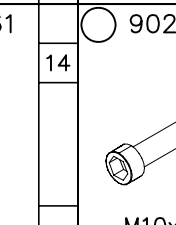
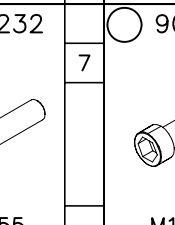
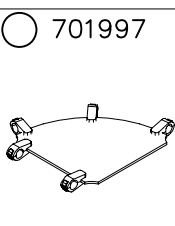
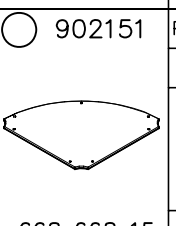
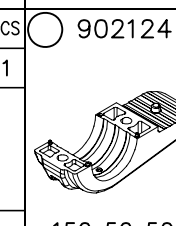
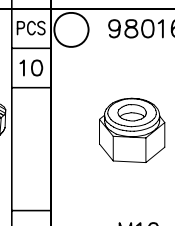
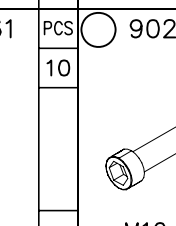
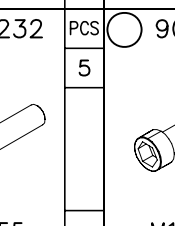
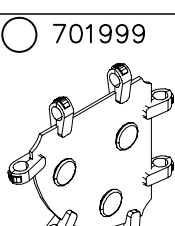
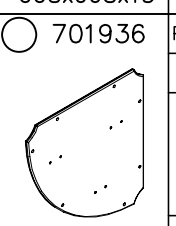
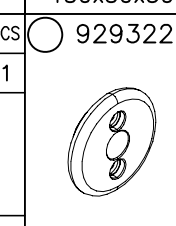
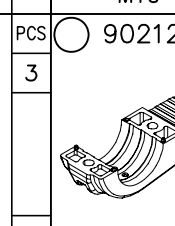
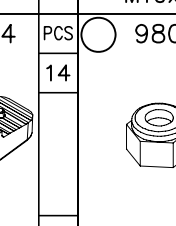
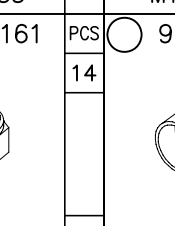
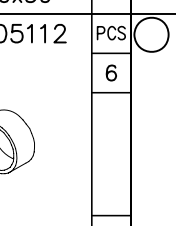
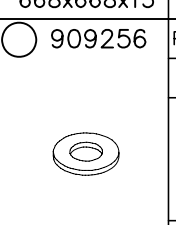
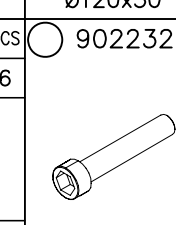
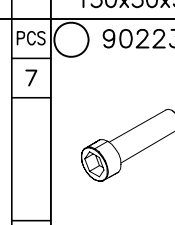
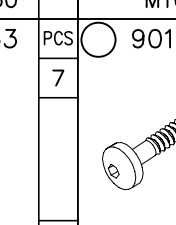
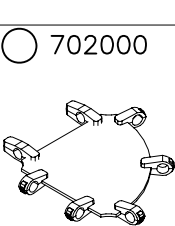
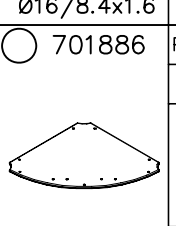
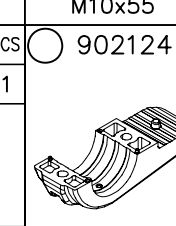
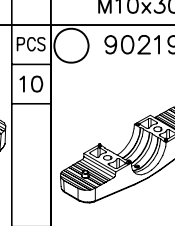
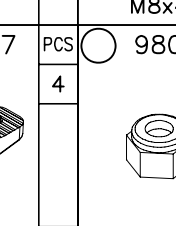
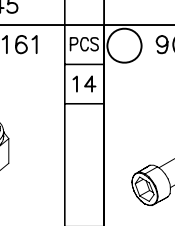
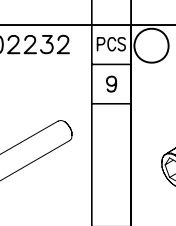
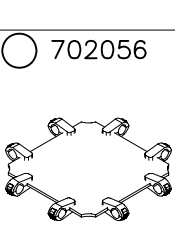
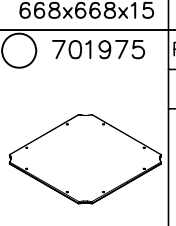
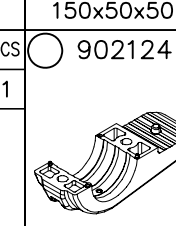
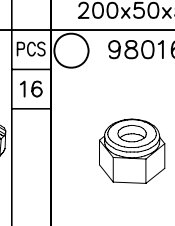
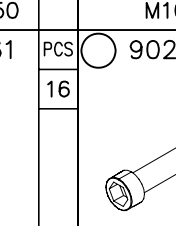
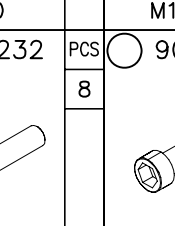
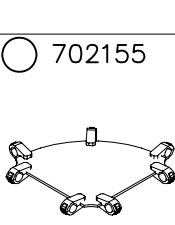
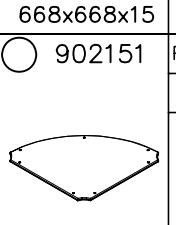
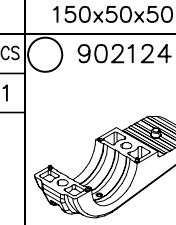
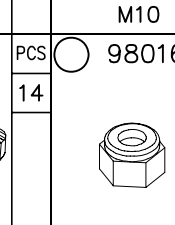
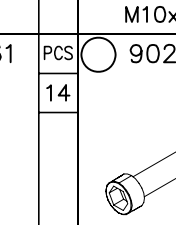
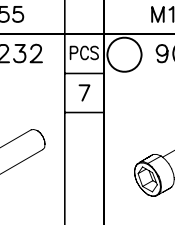
# LAPPSET®

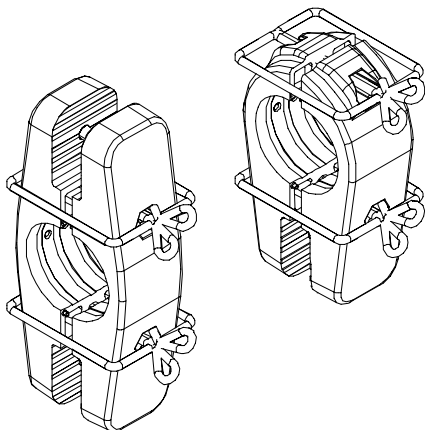
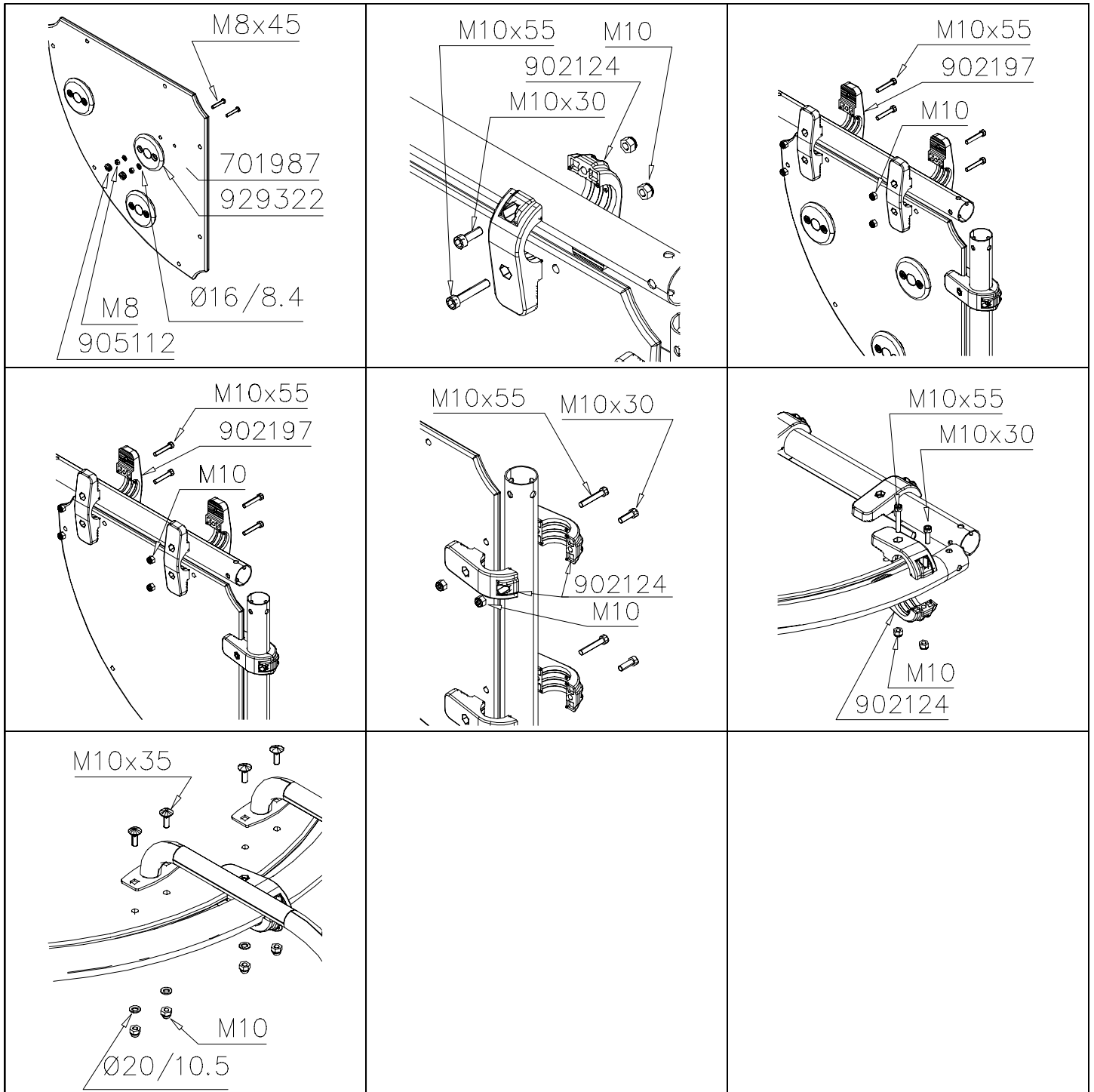
## WALL AND FLOOR

# CLOXX

DATE: 3.8.2010

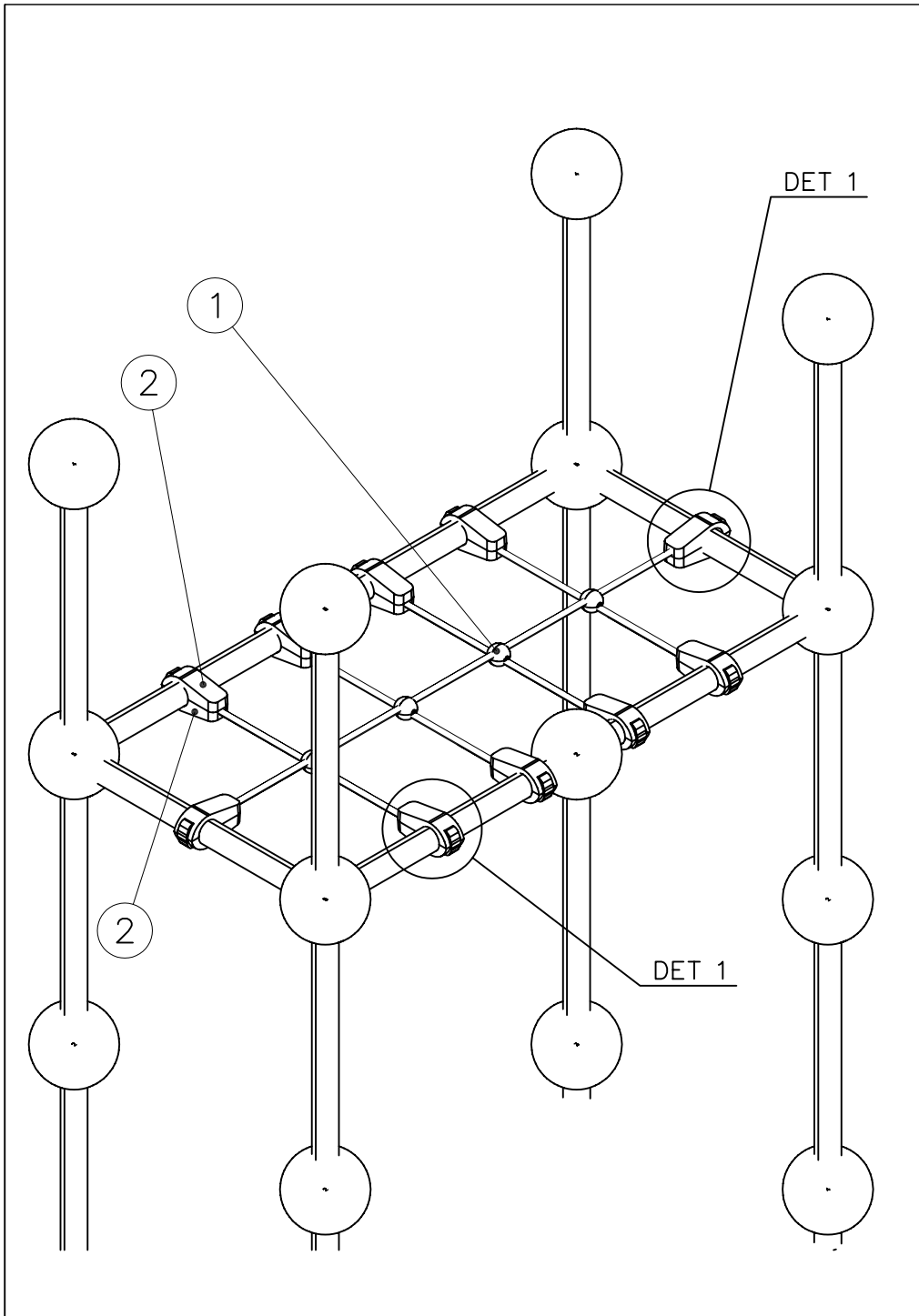
2(3)

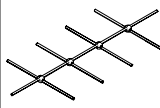

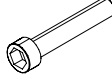
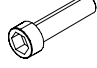
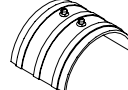
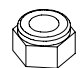
 701986	 668x668x15	PCS 1	 150x50x50	PCS 14	 M10	PCS 14	 M10x55	PCS 7	 M10x30	PCS 7		PCS
 701989	 668x668x15	PCS 1	 150x50x50	PCS 14	 M10	PCS 14	 M10x55	PCS 7	 M10x30	PCS 7		PCS
 701997	 668x668x15	PCS 1	 150x50x50	PCS 10	 M10	PCS 10	 M10x55	PCS 5	 M10x30	PCS 5		PCS
 701999	 668x668x15	PCS 1	 Ø120x30	PCS 3	 150x50x50	PCS 14	 M10	PCS 14	 Ø22	PCS 6	 M8	PCS 6
	 Ø16/8.4x1.6	PCS 6	 M10x55	PCS 7	 M10x30	PCS 7	 M8x45	PCS 6		PCS		PCS
 702000	 668x668x15	PCS 1	 150x50x50	PCS 10	 200x50x50	PCS 4	 M10	PCS 14	 M10x55	PCS 9	 M10x30	PCS 5
 702056	 668x668x15	PCS 1	 150x50x50	PCS 16	 M10	PCS 16	 M10x55	PCS 8	 M10x30	PCS 8		PCS
 702155	 668x668x15	PCS 1	 150x50x50	PCS 14	 M10	PCS 14	 M10x55	PCS 7	 M10x30	PCS 7		PCS

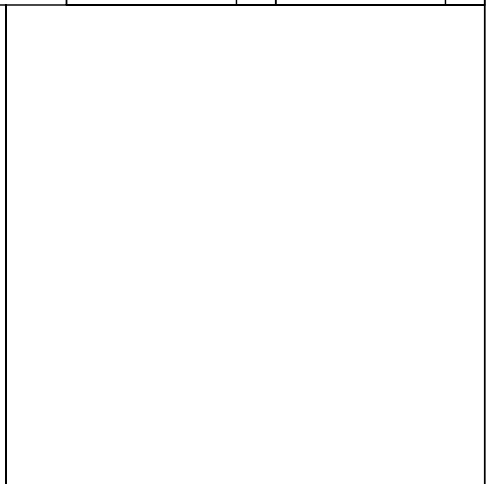
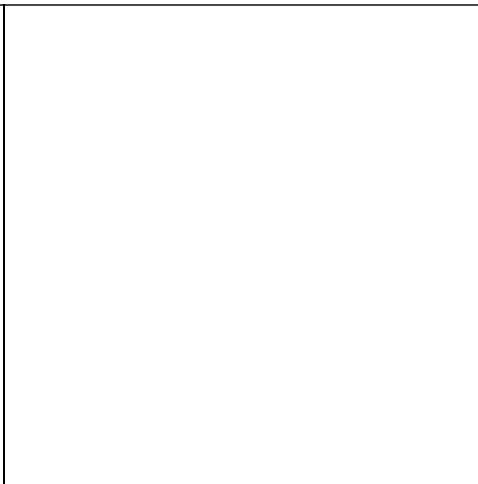
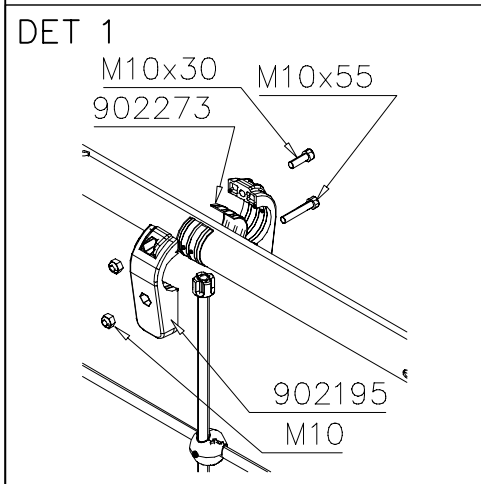


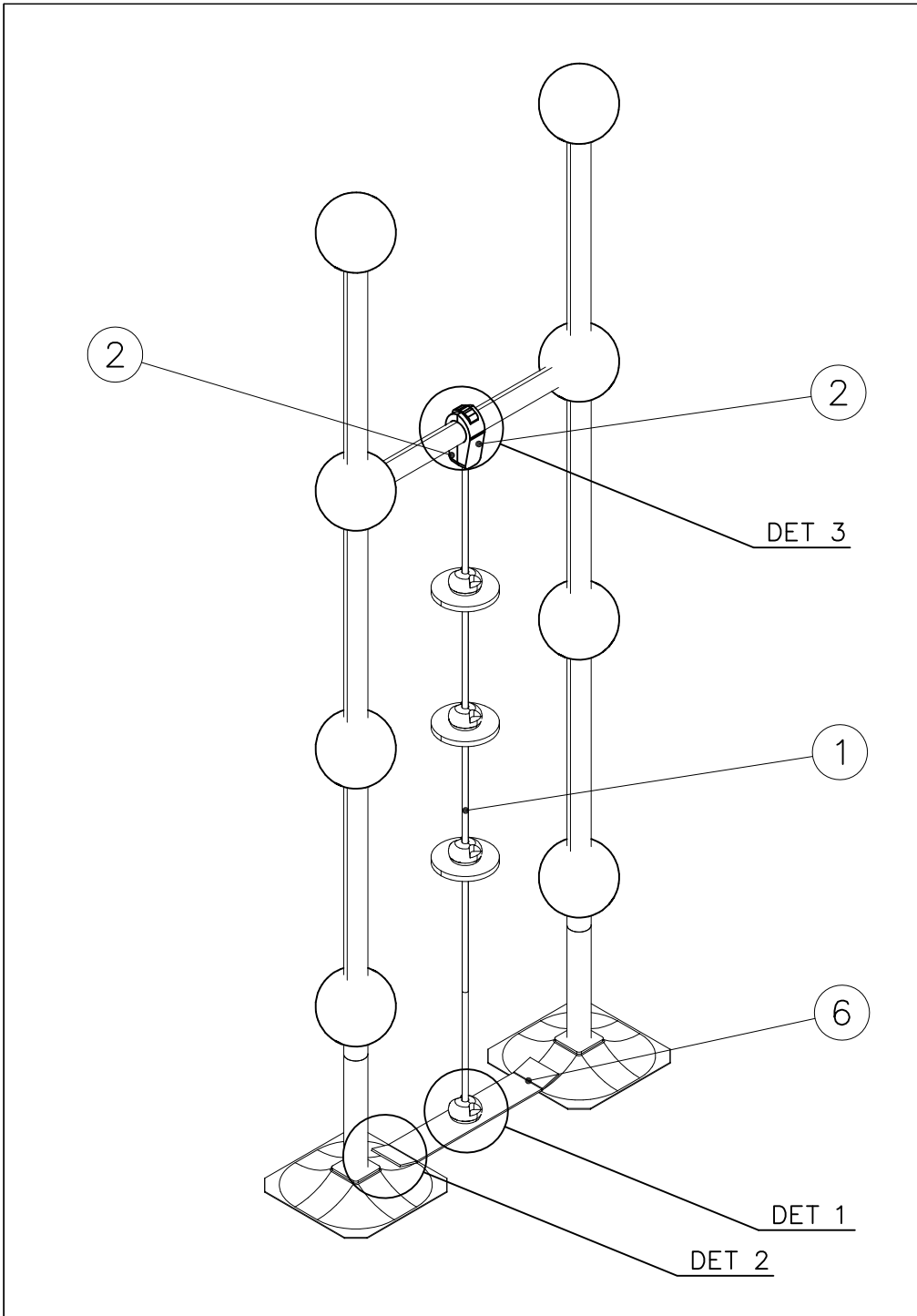
NOTE:  
 Use a wire marked pairs  
 of the same junction.

Huom!  
 Käytä langalla merkittyä  
 paria samassa liitoksessa.

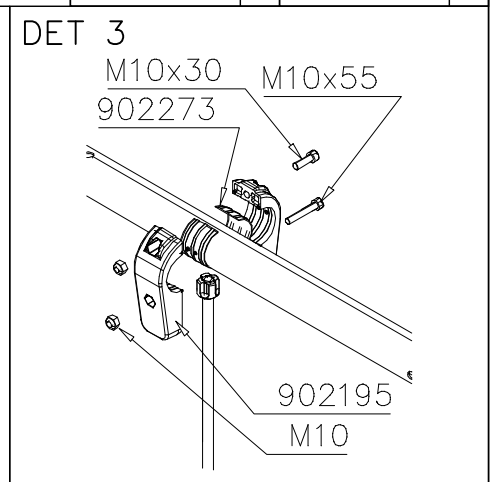
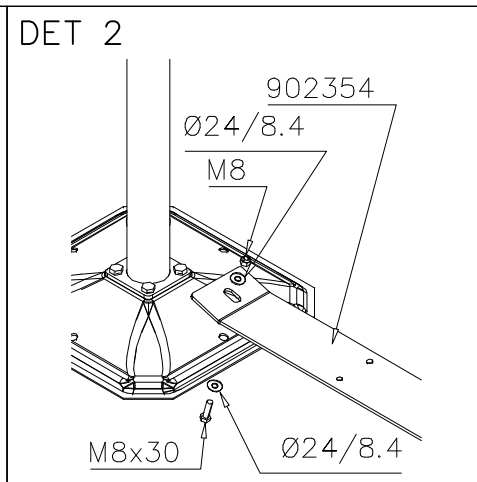
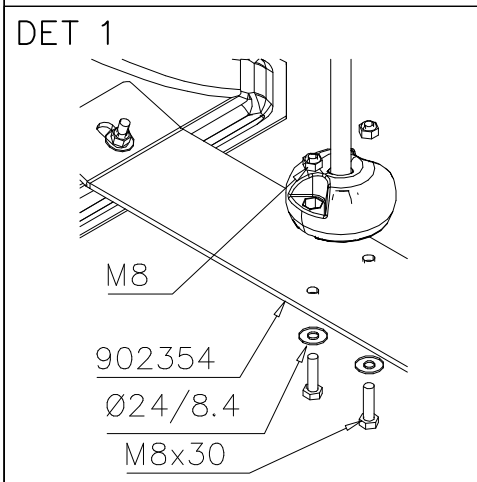


① 702009	PCS	② 902195	PCS
	1		20
		150*50*50	
③ 902232	PCS	④ 902233	PCS
	10		10
M10x55		M10x30	
⑤ 902273	PCS	⑥ 980161	PCS
	20		20
		M10	
	PCS		PCS
	PCS		PCS
	PCS		PCS

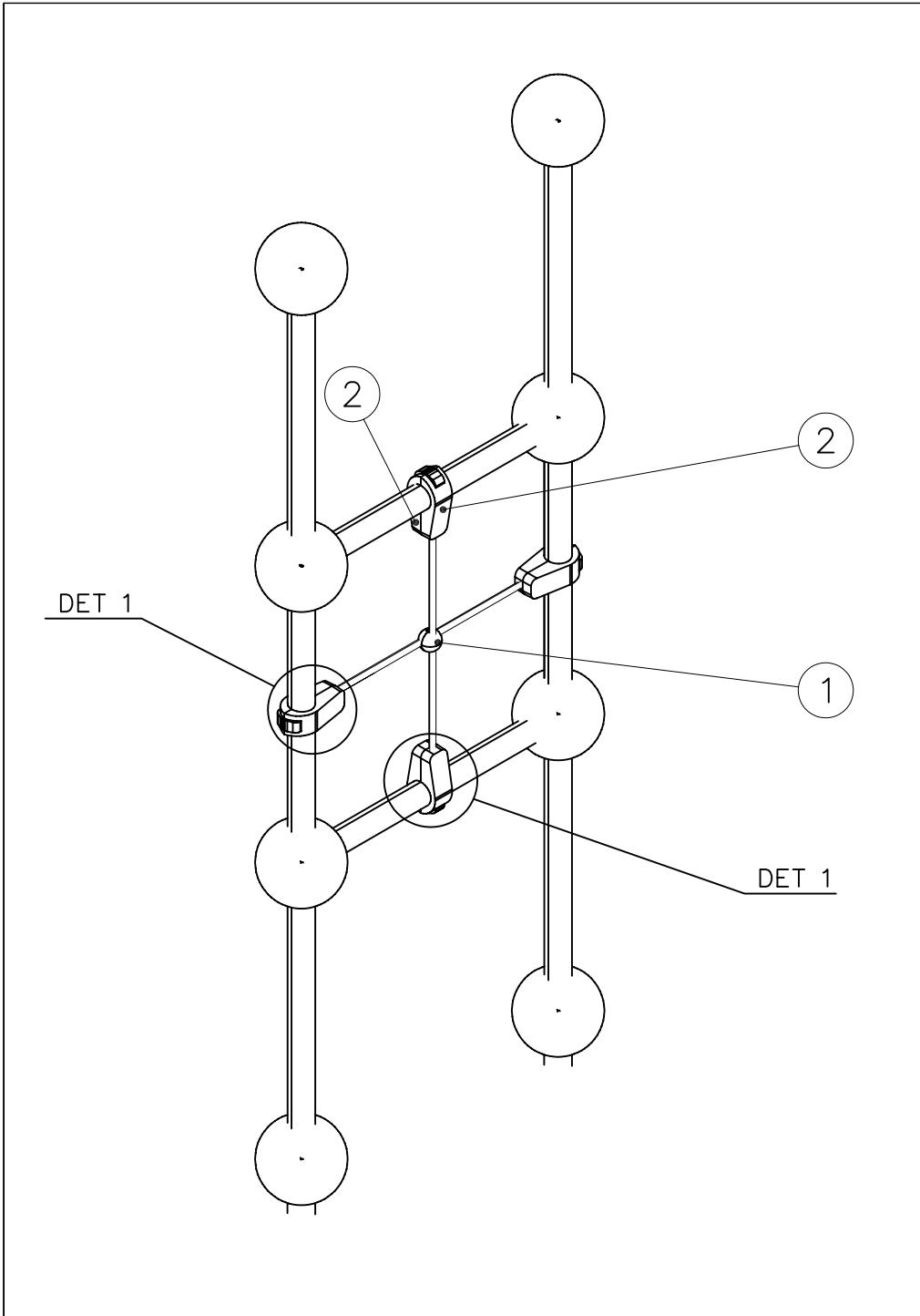


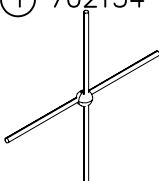

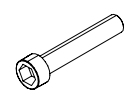
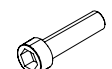
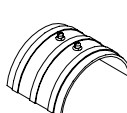



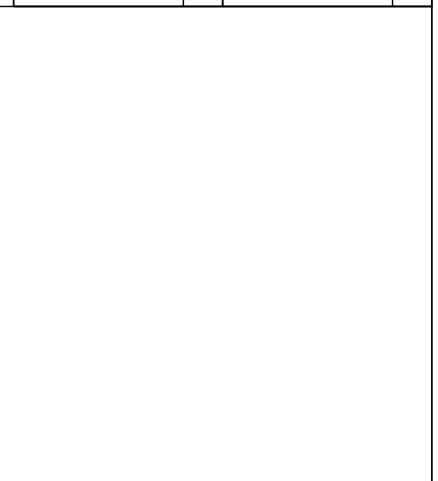
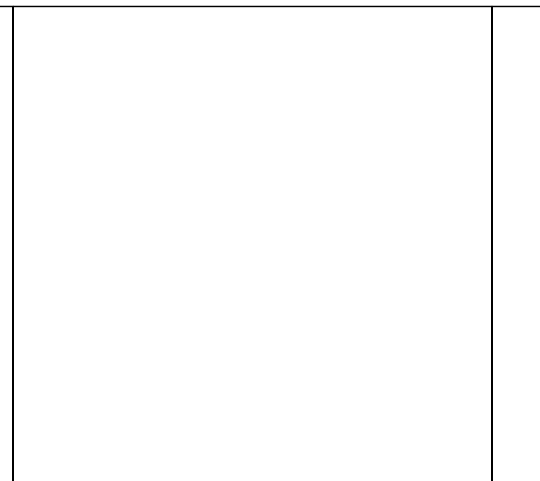
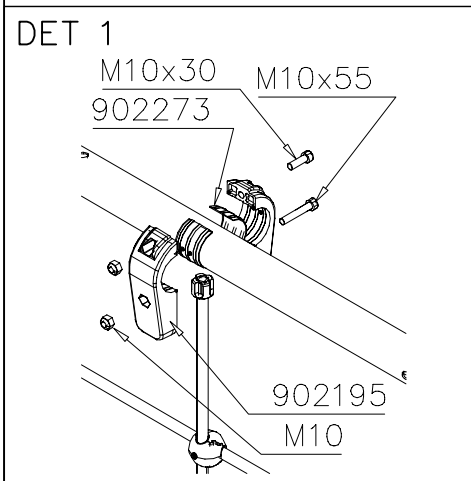
① 702061	PCS	② 902195	PCS
	1		2
2028		150*50*50	
③ 902232	PCS	④ 902233	PCS
	1		1
M10x55		M10x30	
⑤ 902273	PCS	⑥ 902354	PCS
	2		1
⑦ 909274	PCS	⑧ 980152	PCS
	4		6
M8x30		Ø24/8.4x2	
⑨ 980150	PCS	⑩ 980161	PCS
	4		2
M8		M10	
	PCS		PCS

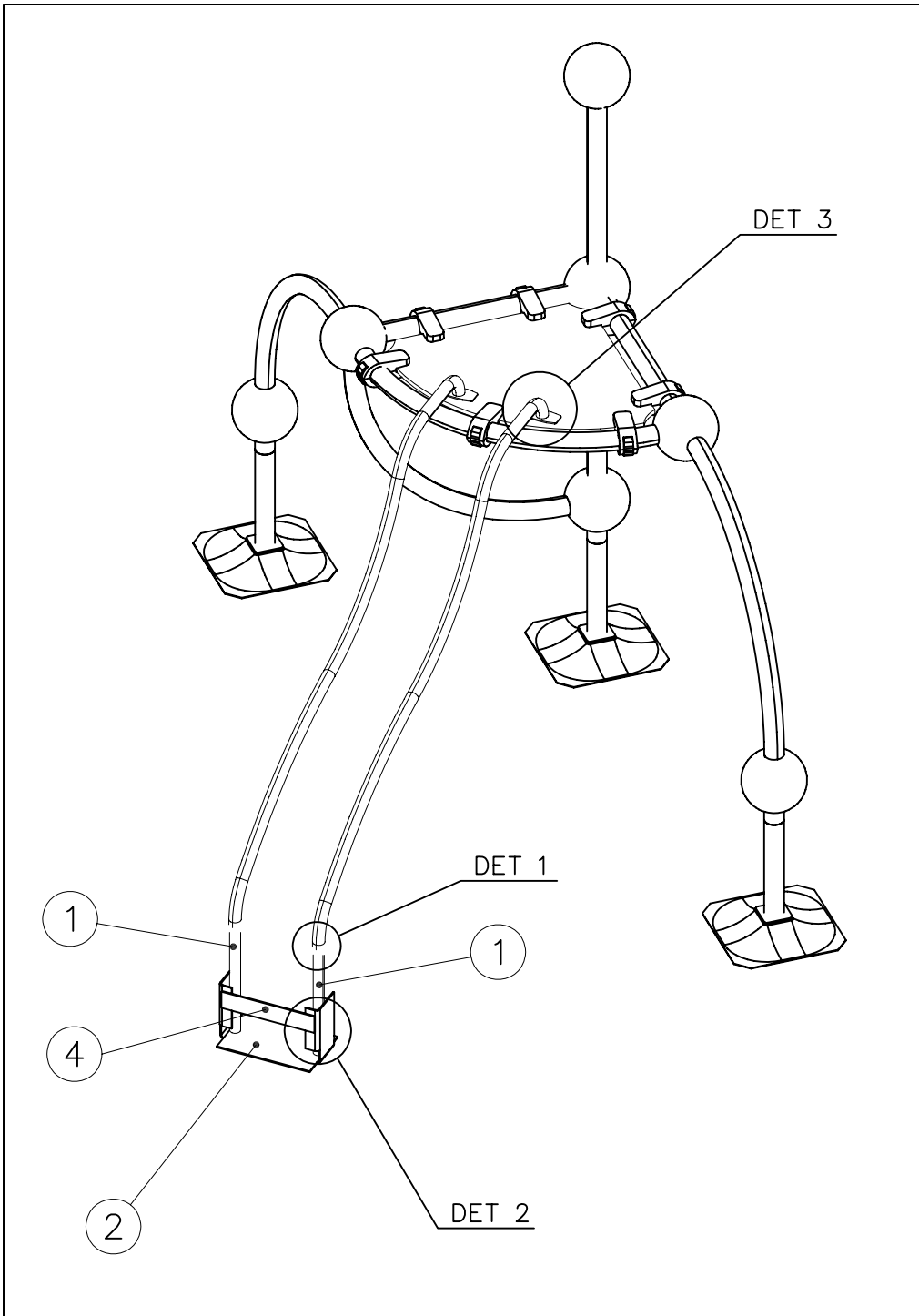






① 702154	PCS	② 902195	PCS
	1		8
		150*50*50	
③ 902232	PCS	④ 902233	PCS
	4		4
M10x55		M10x30	
⑤ 902273	PCS	⑥ 980161	PCS
	8		8
		M10	
	PCS		PCS
	PCS		PCS
	PCS		PCS





① 902377	PCS	② 902379	PCS
	2		1
③ 902388	PCS	④ 902393	PCS
	4		1
Ø35xM8			
⑤ 909637	PCS	⑥ 909638	PCS
	4		8
M10		Ø20/10,5	
⑦ 909639	PCS	⑧ 900965	PCS
	4		4
M10x25		M10	
⑨ 909628	PCS	⑩ 902252	PCS
	4		4
Ø20/10.5		M10x35	
	PCS		PCS

