

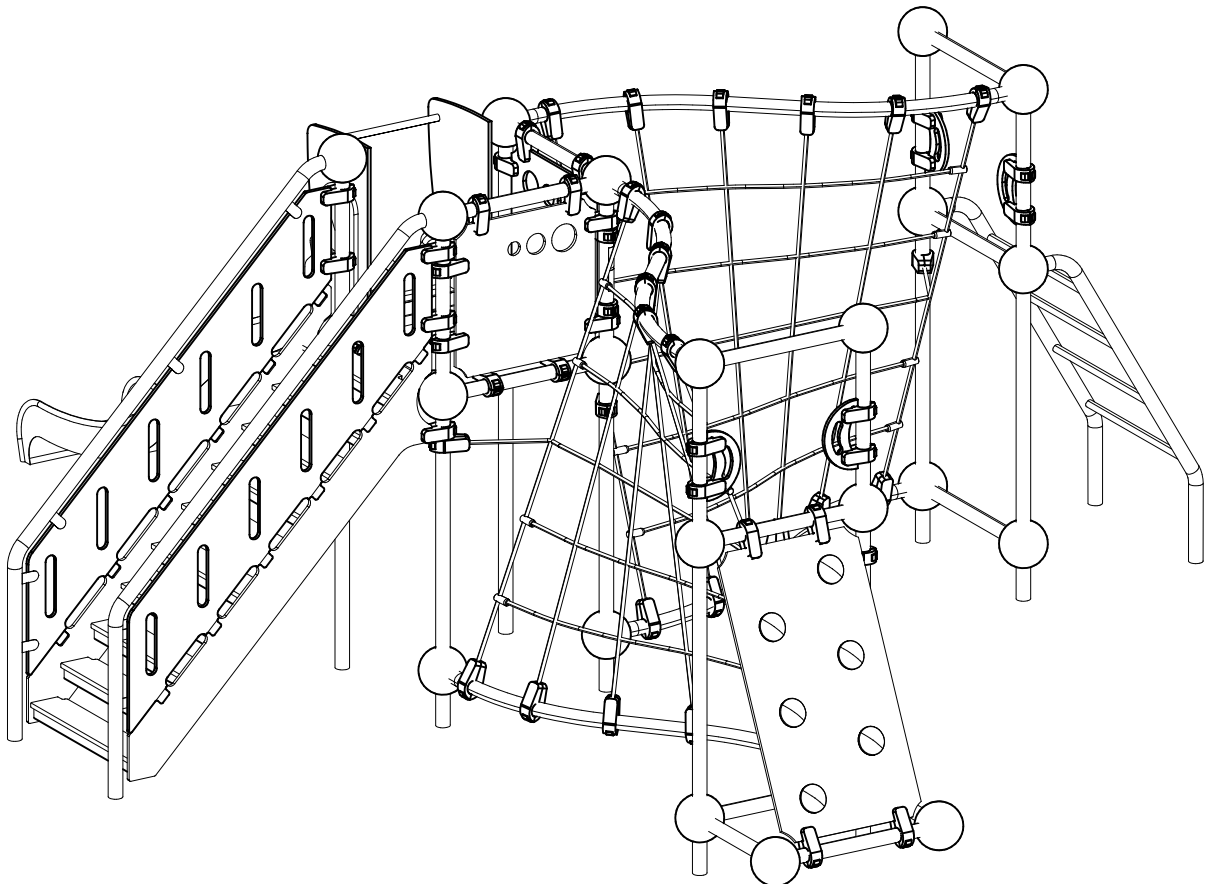
LAPPSET®



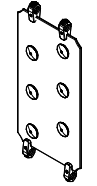

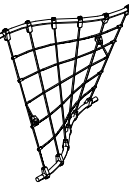

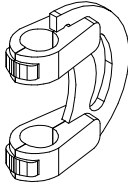

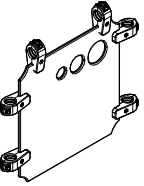

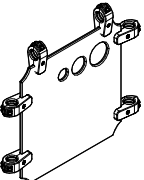



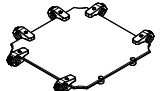

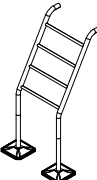

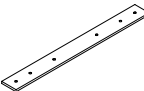
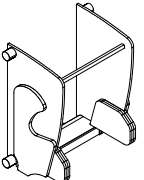

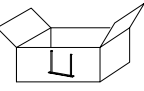
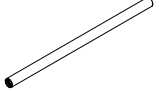
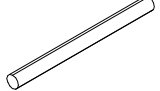
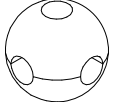

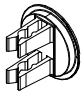
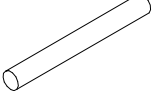


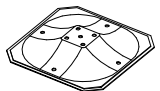
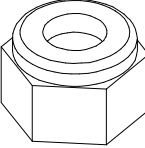
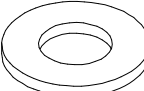
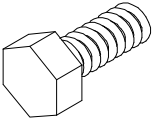
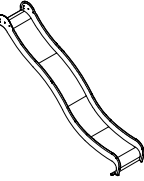
CLOXX

ASENNUSOHJE
MONTERINGSANSVISNING
INSTALLATION INSTRUCTION
AUFBAUANLEITUNG
NOTICE D'INSTALLATION

DATE: 27.2.2019

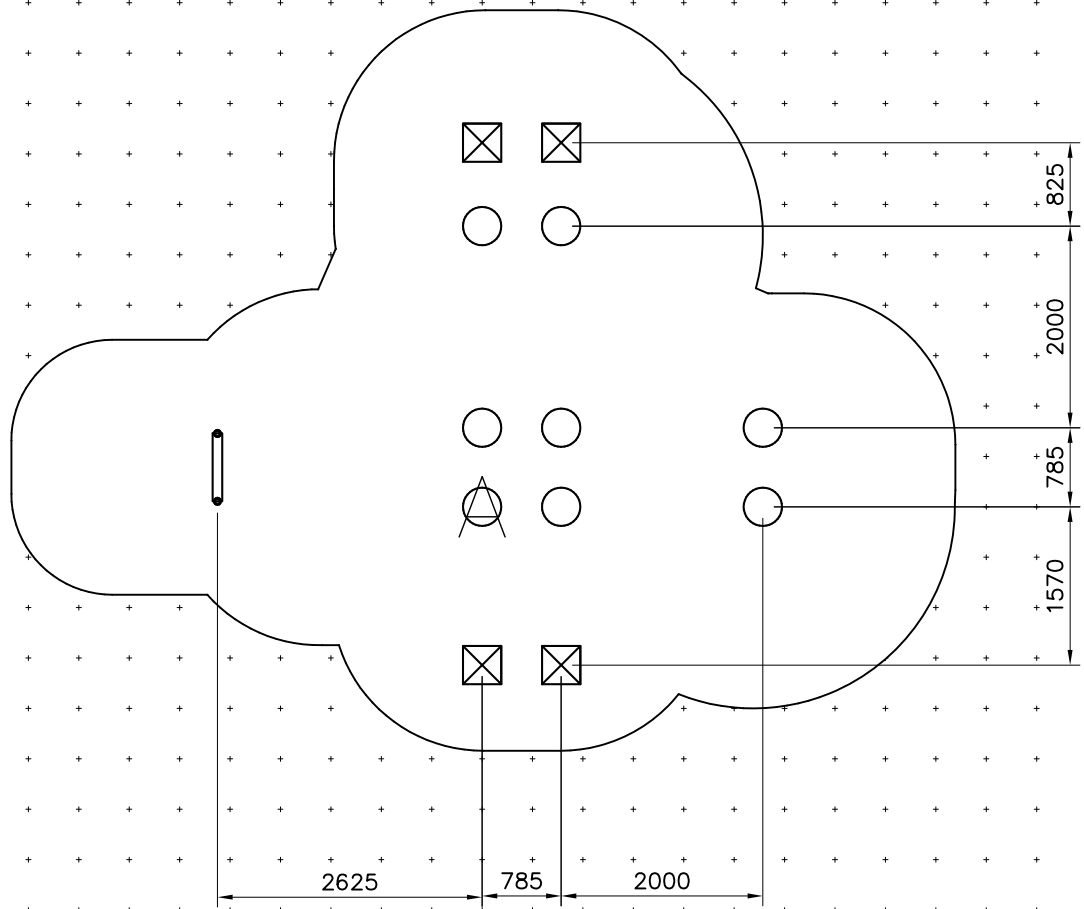
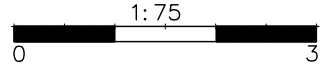
220332

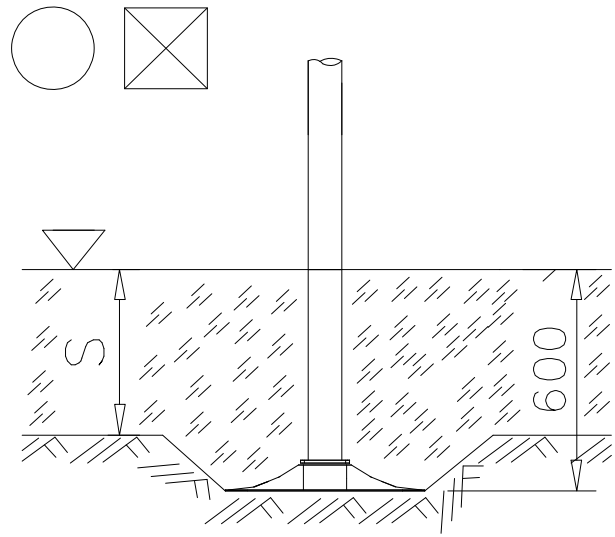
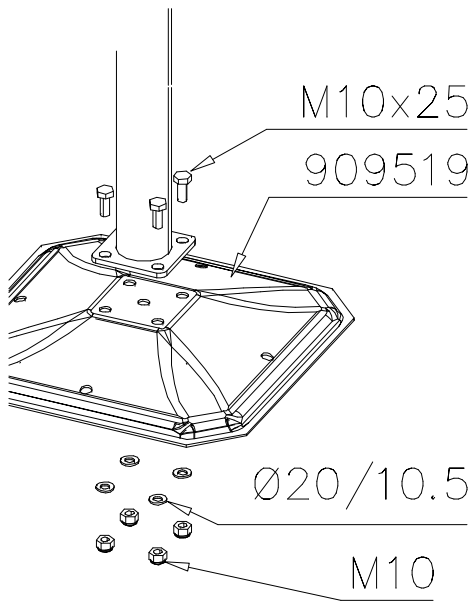


702341  90x50	PCS 1	702633  90x50	PCS 1	704006  	PCS 1	704070  	PCS 2	704159  	PCS 4	704179  	PCS 1
704328  	PCS 1	704380  	PCS 1	704432  	PCS 1	704438  	PCS 1	707133  10x80x745	PCS 1	708858  	PCS 1
709045 	PCS 1	901868  Ø34x598	PCS 2	902022  L 710	PCS 11	902134  	PCS 24	902157  60x60x2	PCS 66	904414  L 515	PCS 2
904455  L 2737	PCS 6	904456  L 2737	PCS 2	909519  380x380	PCS 8	909637  M10	PCS 32	909638  Ø20/10.5	PCS 64	909639  M10x25	PCS 32
909709  +1470	PCS 1		PCS		PCS		PCS		PCS		PCS
	PCS		PCS		PCS		PCS		PCS		PCS
	PCS		PCS		PCS		PCS		PCS		PCS

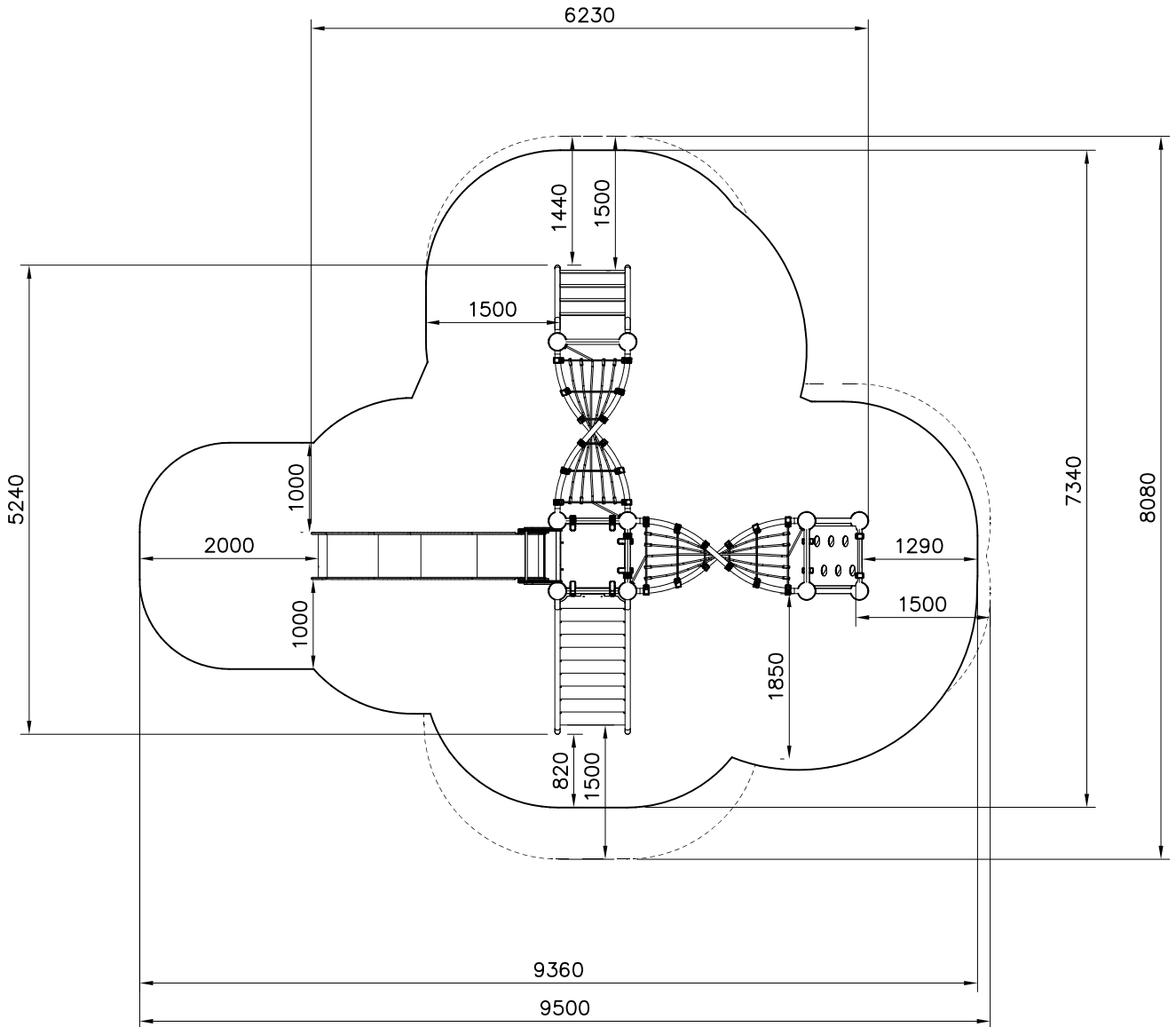
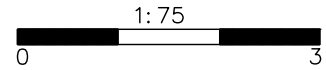
EN Impact Area 44 m²

Grid size = 500 mm

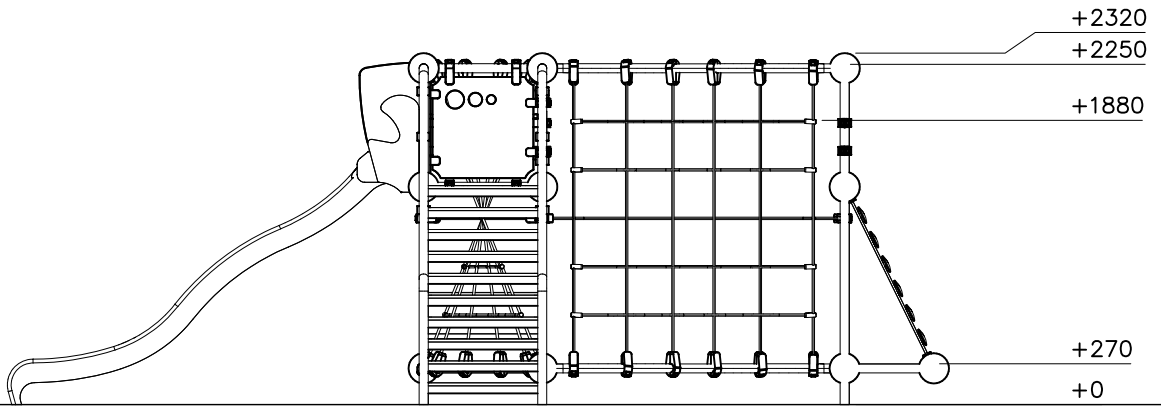




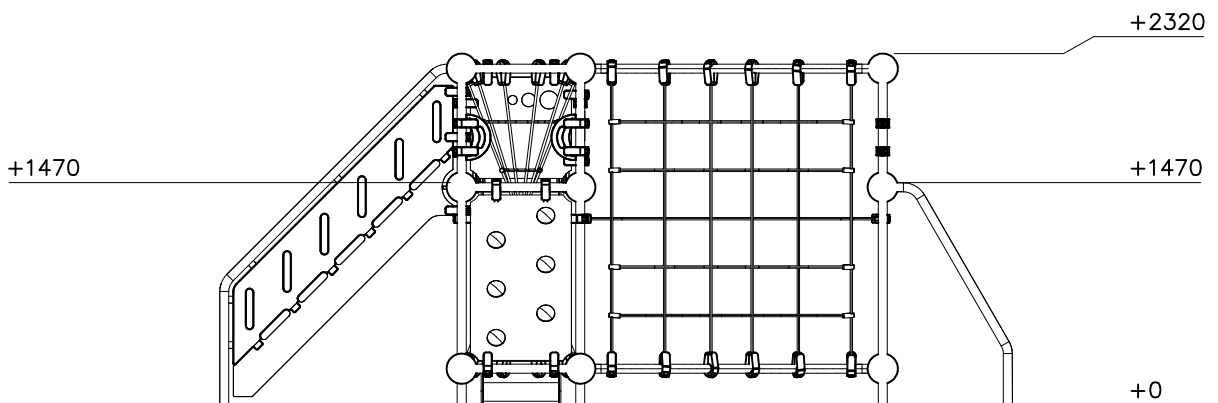
— EN Impact Area 44 m²
- - - Falling Space 47.1 m²
Max Falling Height 2250 mm

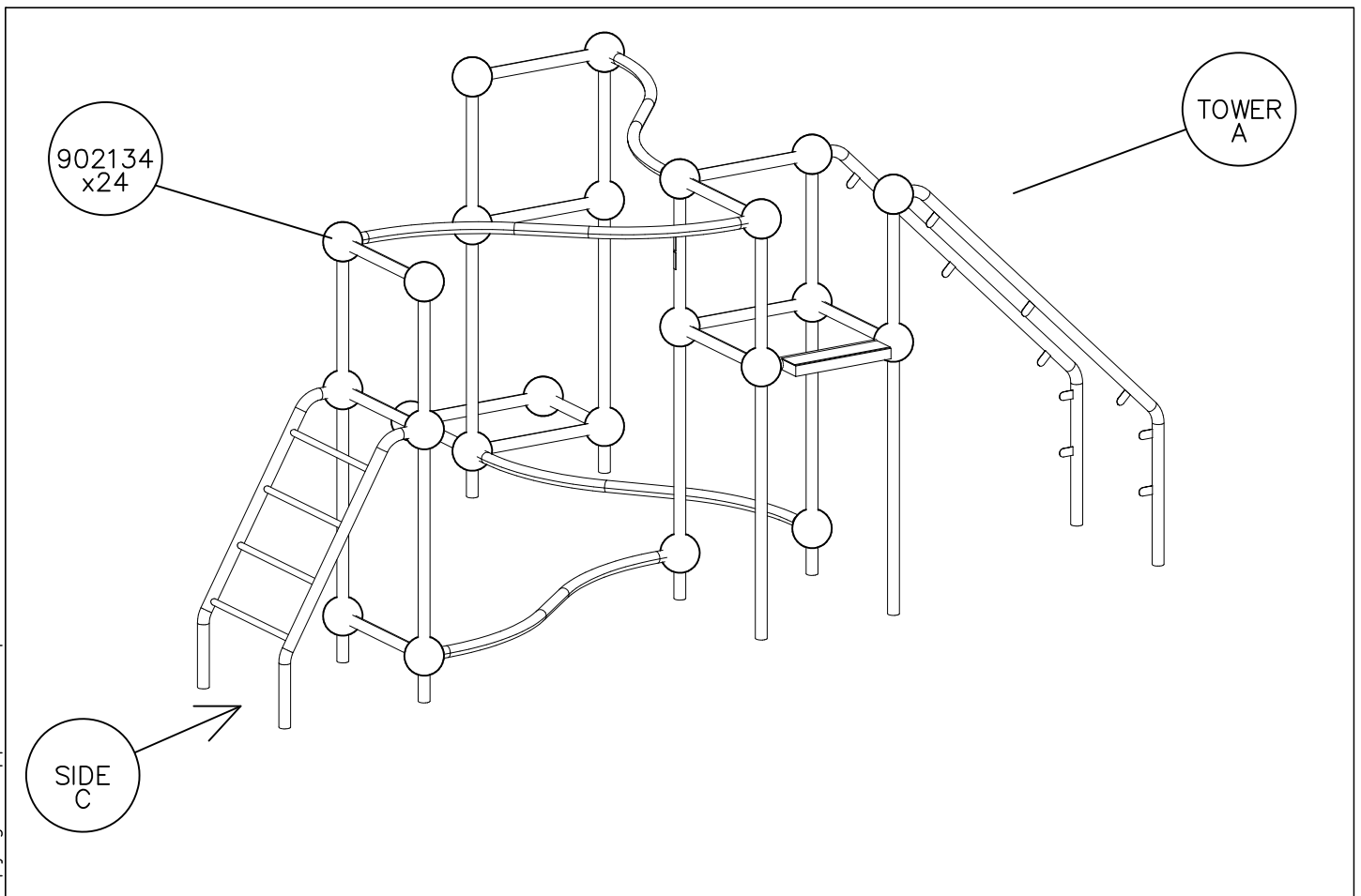
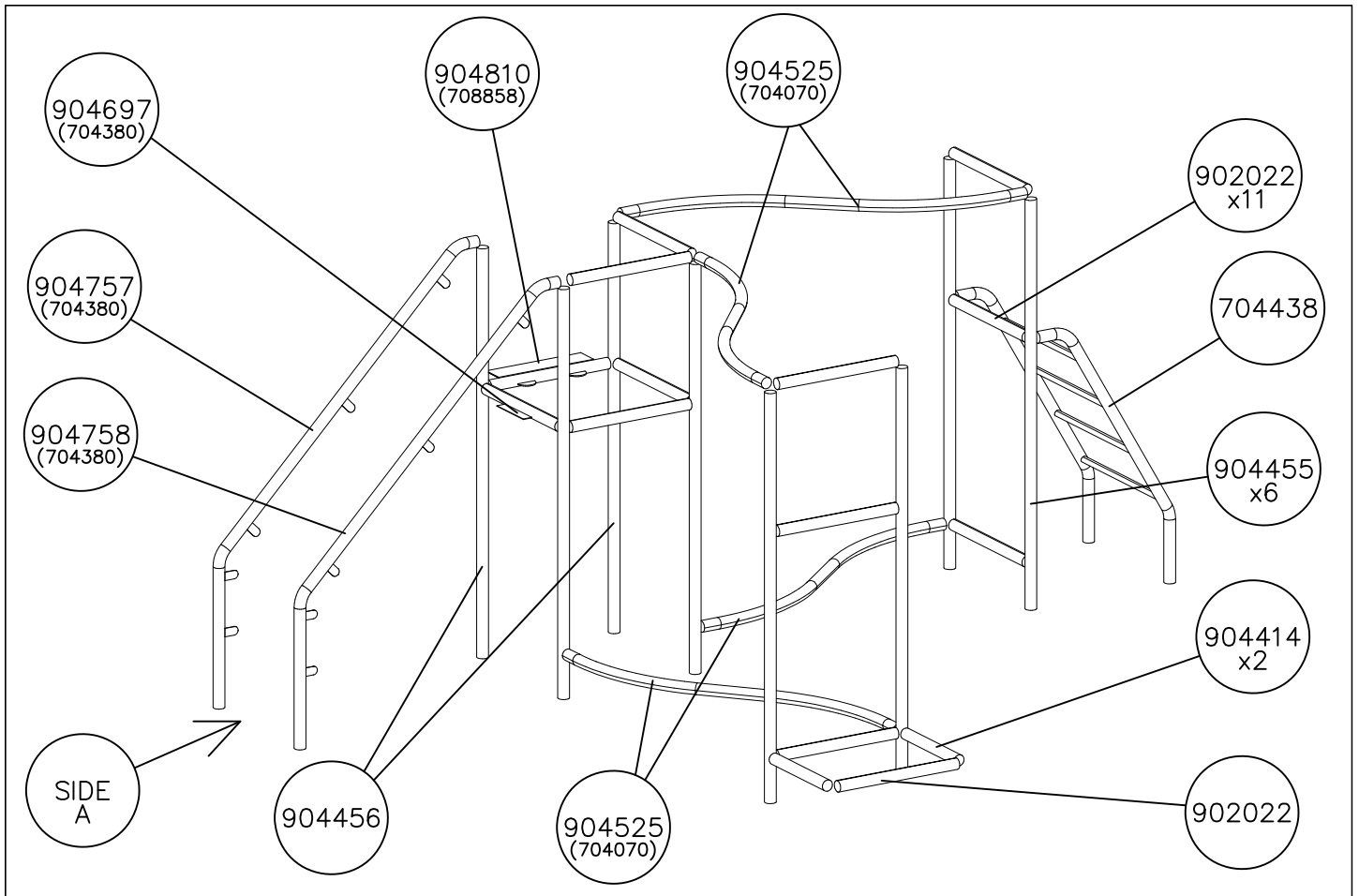


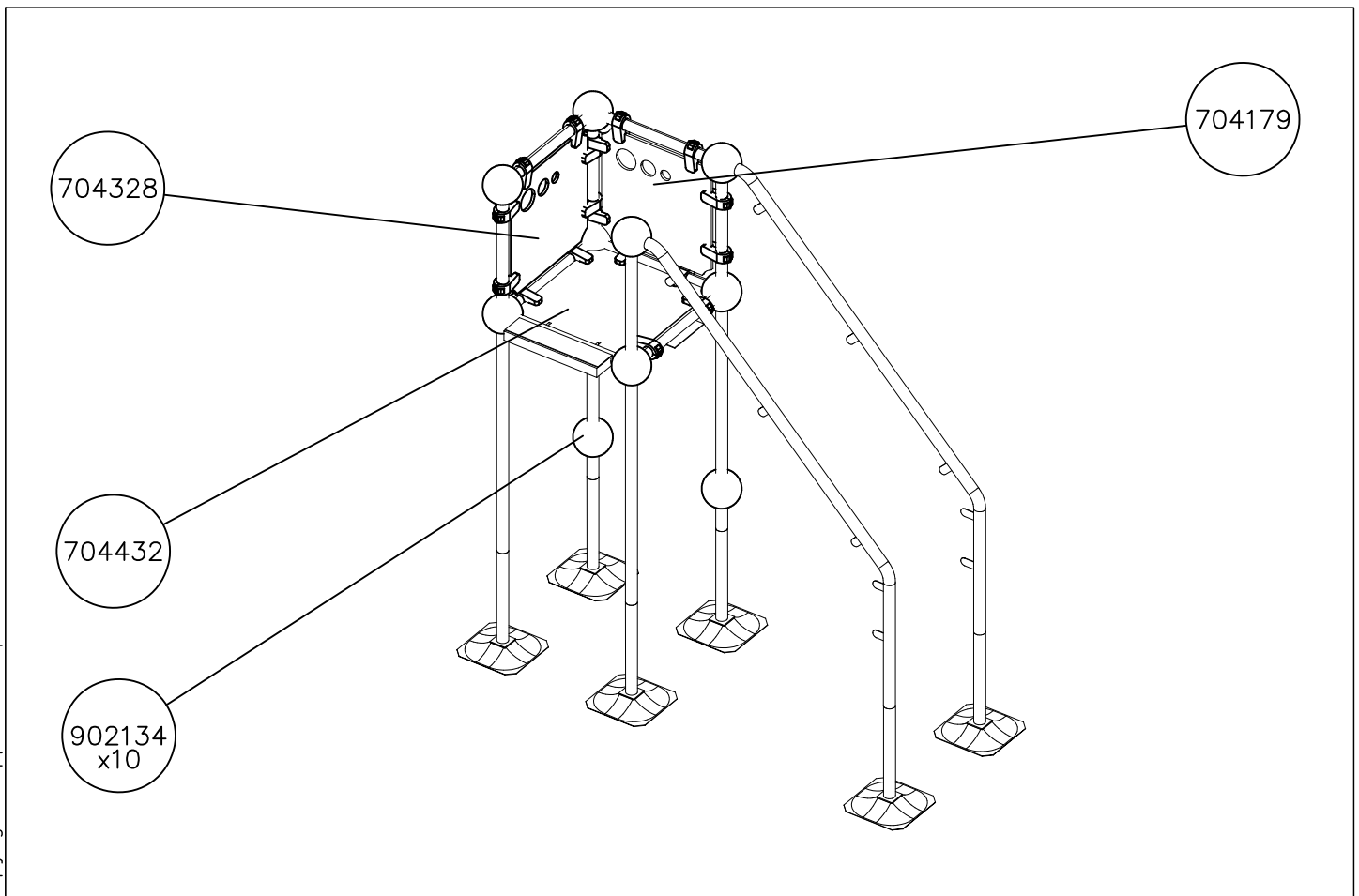
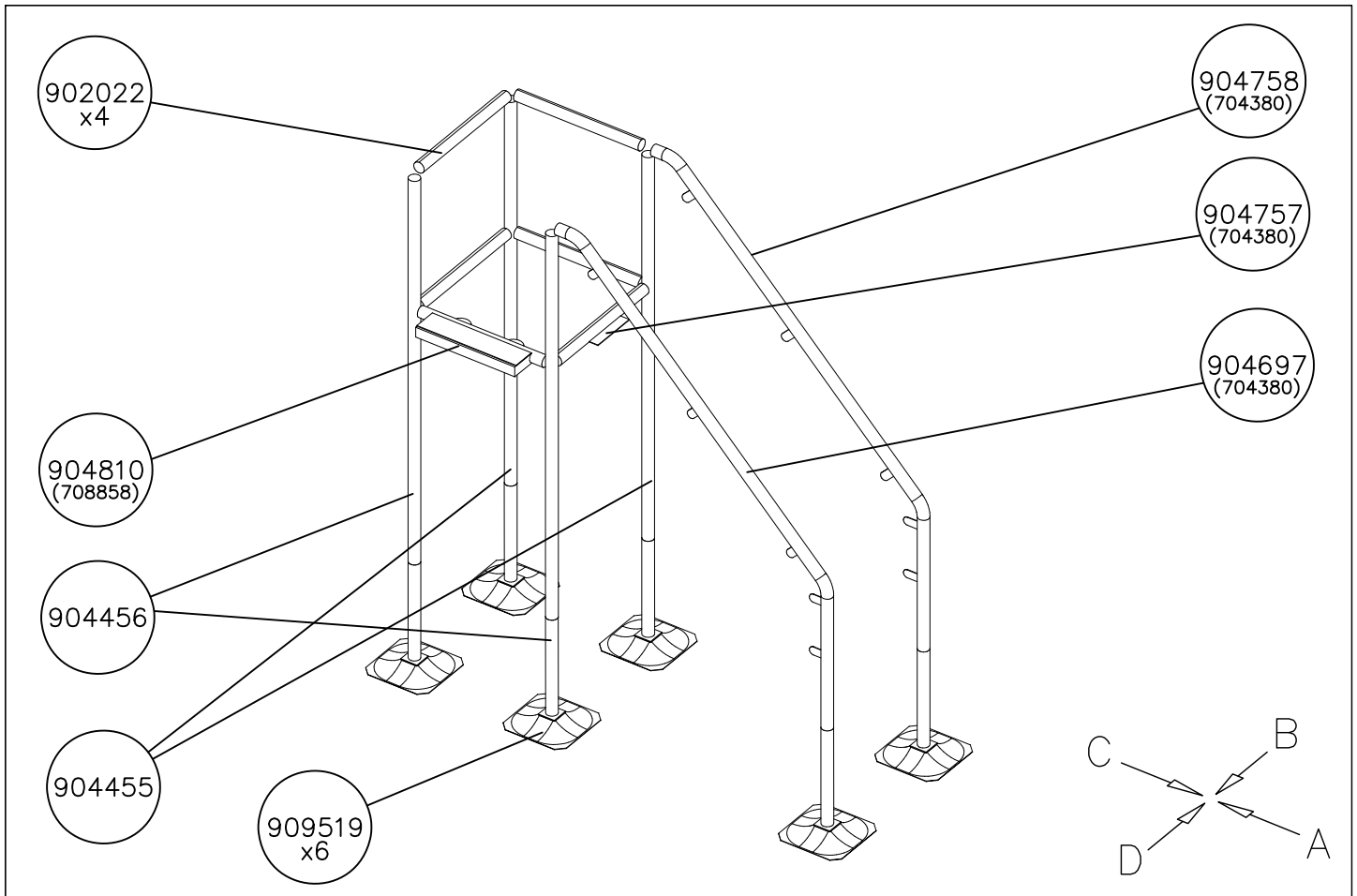
1:50



1:50

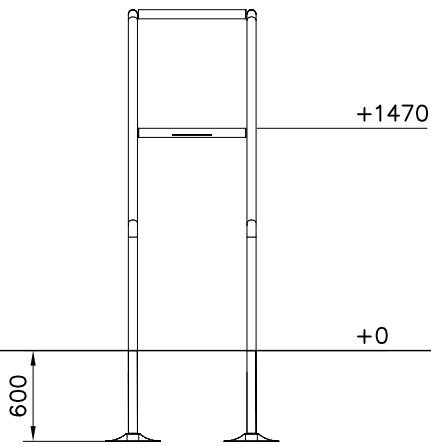




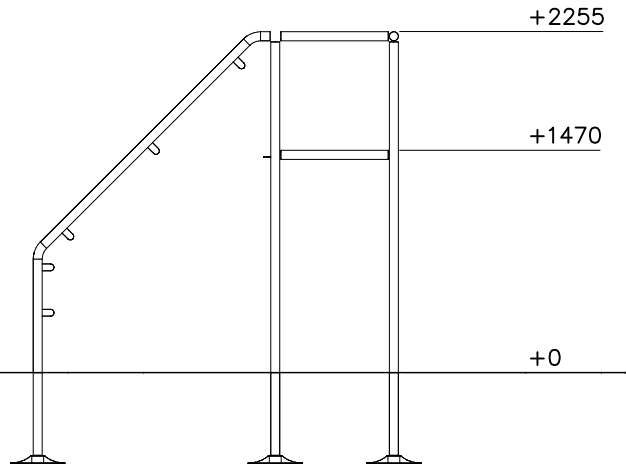


1:50

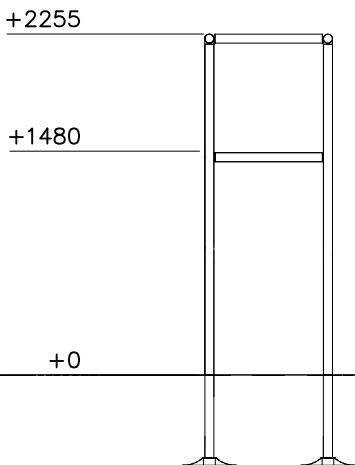
(A)



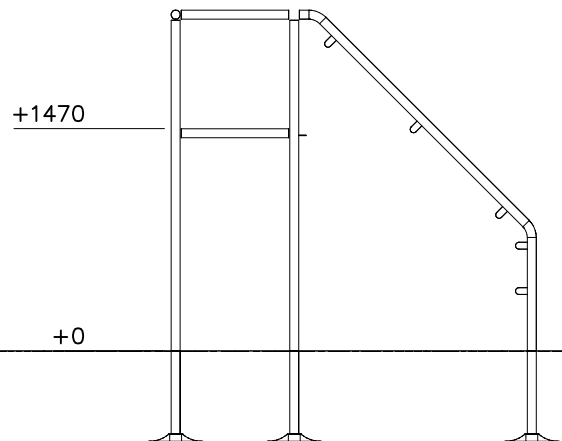
(B)

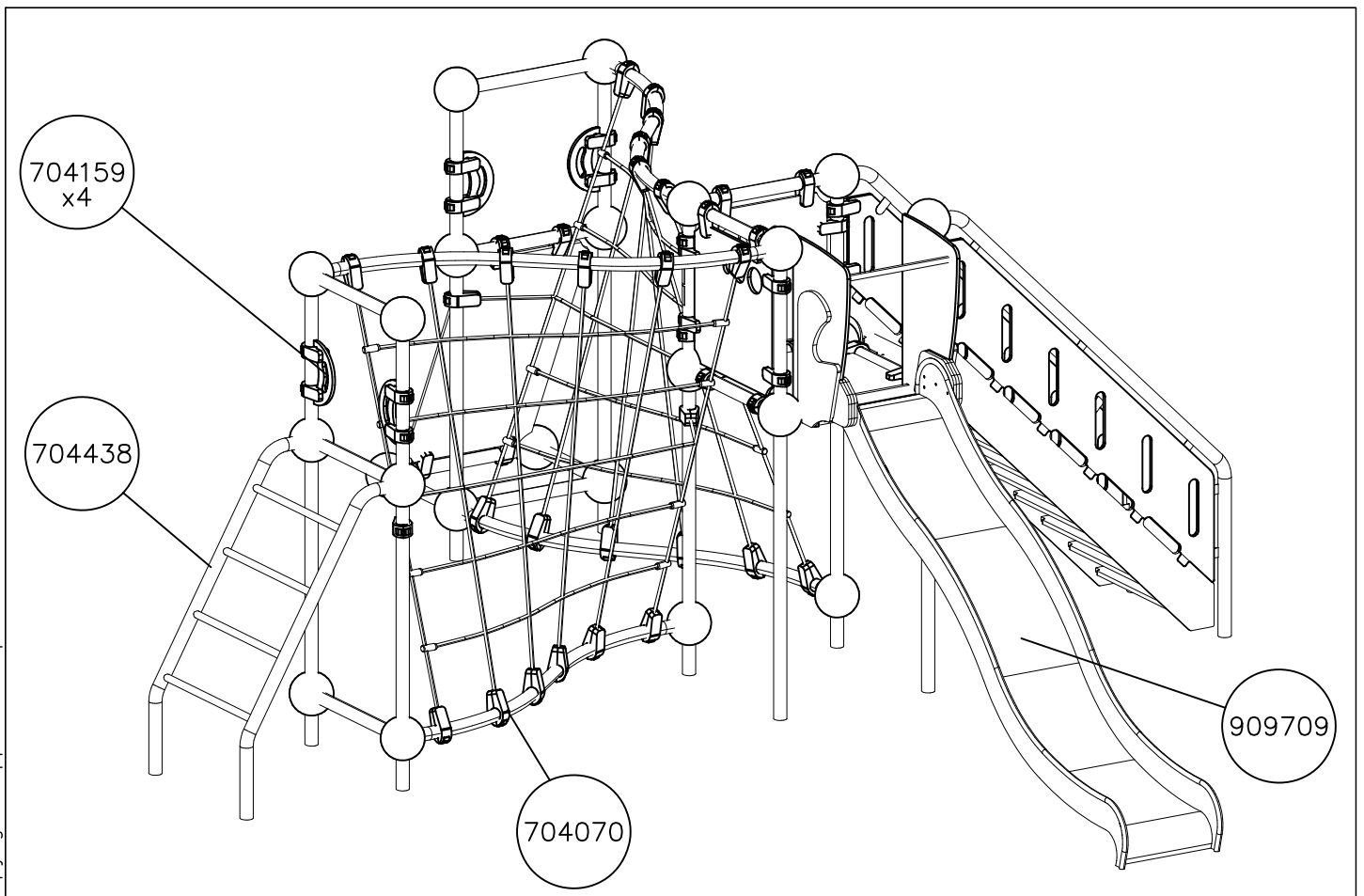
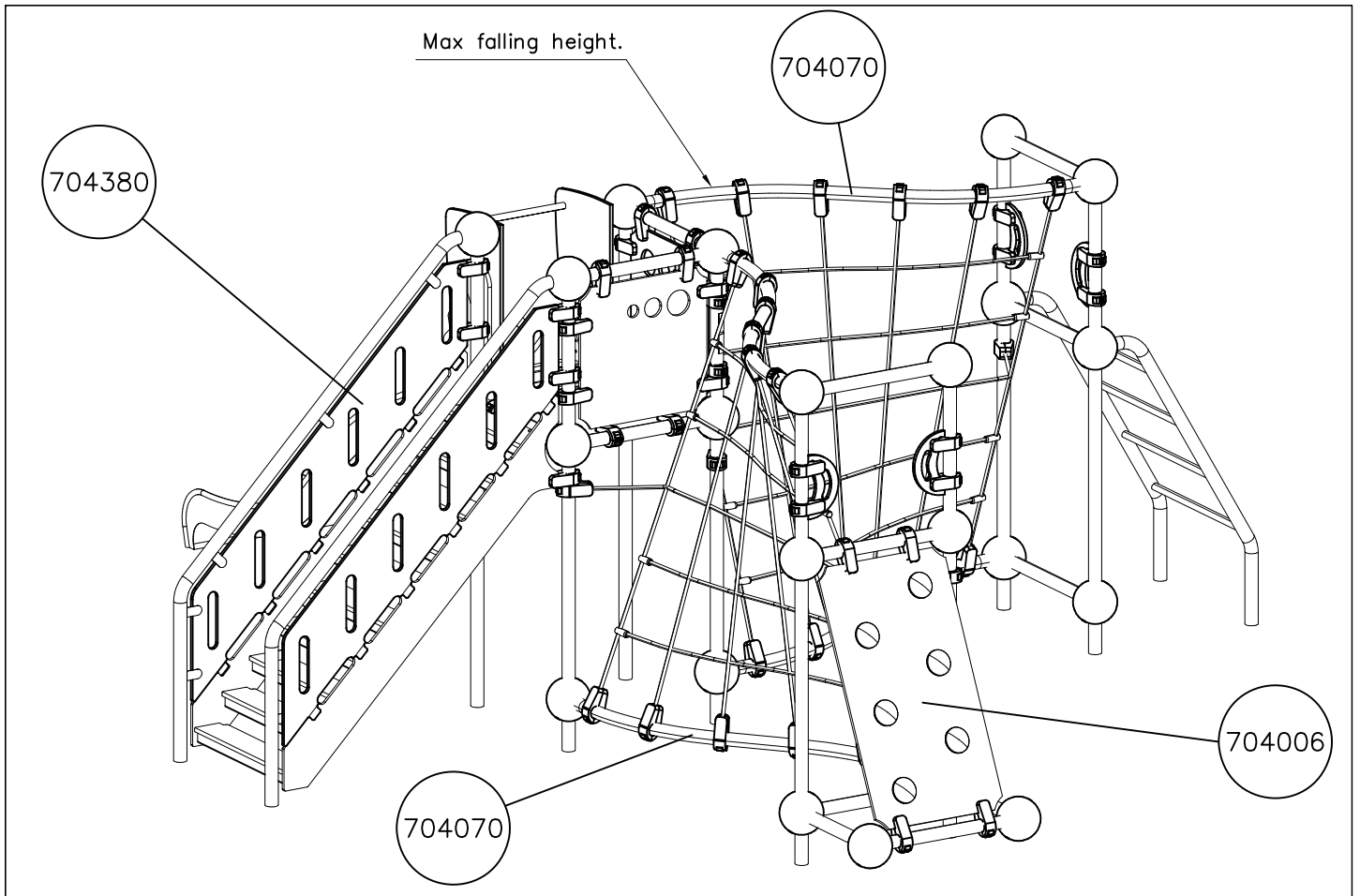


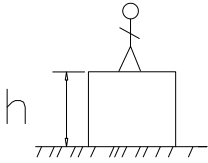



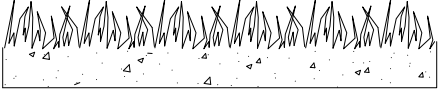
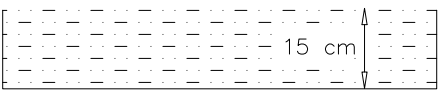
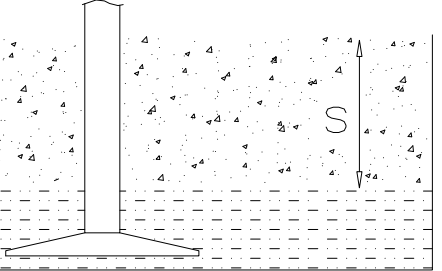
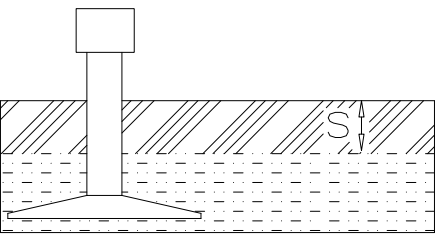
(C)



(D)





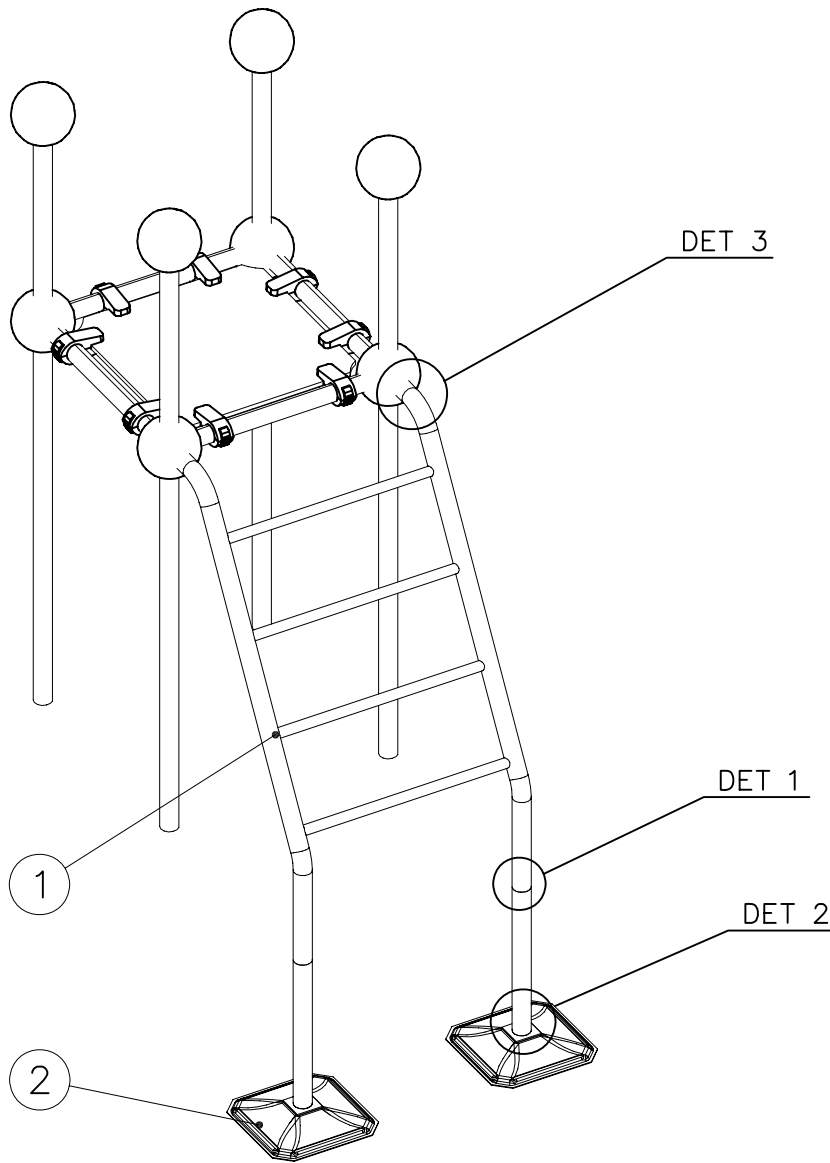
												
<p>$h < 600$</p> <p>Without movement and therefore without Impact Area</p>	<p>Totally hard surfaces.</p> <p>Note. Lappset does <u>not recommend</u> totally hard surfaces at all.</p>	<p>E.g. concrete or asphalt</p> 										
<p>$h < 600$</p> <p>With movement e.g. rocking</p>	<p>Materials with very limited impact attenuating properties.</p>	<p>E.g. wood</p> 										
<p>$h < 1000$</p>	<p>Materials with significant impact attenuating properties.</p>	<p>fine gravel 0–8 mm</p>  <p>grass</p>  <p>unsorted sand</p> 										
<p>$h < 3000$</p>	<p>Loose fill material</p> <p>E.g. sand/gravel 0,25...8 mm D60/D10<3,0 Woodchips 5...30 mm bark 20...80 mm</p>	 <table data-bbox="1021 1691 1332 1792"> <tr> <td>\underline{S}</td> <td>\underline{h}</td> </tr> <tr> <td>30 cm</td> <td>< 2,0 m</td> </tr> <tr> <td>40 cm</td> <td>< 3,0 m</td> </tr> </table>	\underline{S}	\underline{h}	30 cm	< 2,0 m	40 cm	< 3,0 m				
\underline{S}	\underline{h}											
30 cm	< 2,0 m											
40 cm	< 3,0 m											
	<p>Syntethic granulates</p> <table data-bbox="406 1892 758 2060"> <tr> <td>\underline{S}</td> <td>\underline{h}</td> </tr> <tr> <td>40 mm</td> <td>~> 1,2...1,3 m</td> </tr> <tr> <td>50 mm</td> <td>~> 1,5...1,7 m</td> </tr> <tr> <td>60 mm</td> <td>~> 1,8...2,0 m</td> </tr> <tr> <td>70 mm</td> <td>~> 2,1...2,5 m</td> </tr> </table> <p>Note. For accurate values, see manufacturer's instructions.</p>	\underline{S}	\underline{h}	40 mm	~> 1,2...1,3 m	50 mm	~> 1,5...1,7 m	60 mm	~> 1,8...2,0 m	70 mm	~> 2,1...2,5 m	
\underline{S}	\underline{h}											
40 mm	~> 1,2...1,3 m											
50 mm	~> 1,5...1,7 m											
60 mm	~> 1,8...2,0 m											
70 mm	~> 2,1...2,5 m											

REMOVE SAFETY SURFACE/SAND/GRAVEL
TO CHECK FOUNDATION

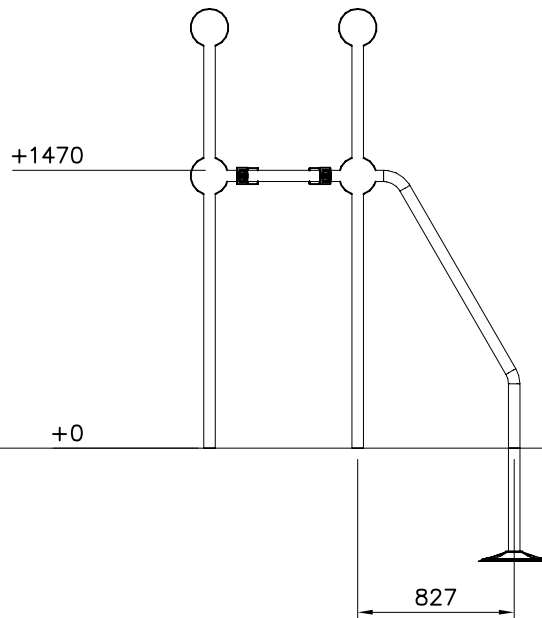
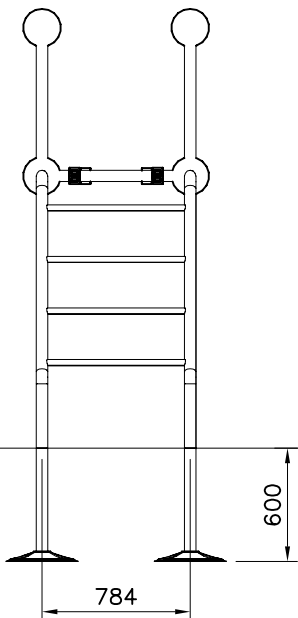


REMOVE SAFETY SURFACE/SAND/GRAVEL
TO CHECK FOUNDATION

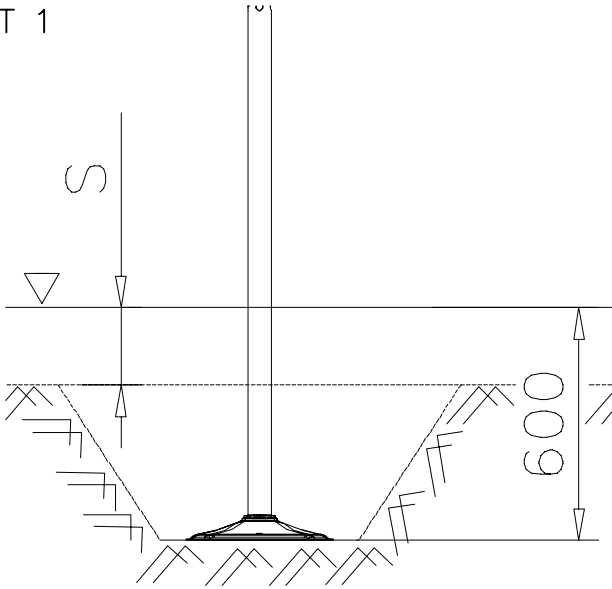




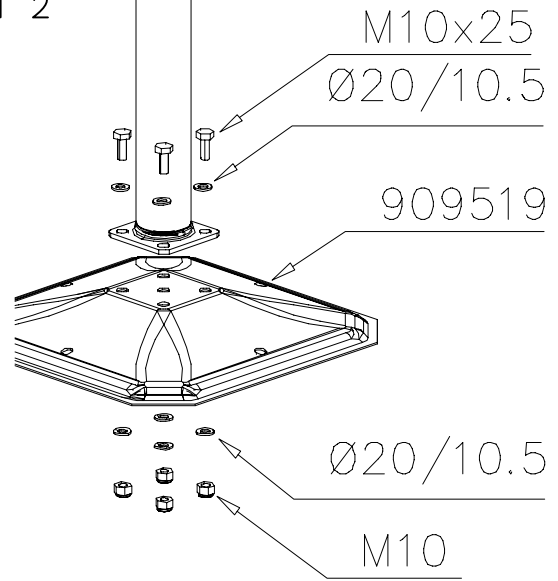
① 904493	PCS	② 909519	PCS
	1		2
		50x380x380	
③ 909637	PCS	④ 909638	PCS
	8		16
M10		Ø20/10.5	
⑤ 909639	PCS		PCS
	8		
M10x25			
	PCS		PCS
	PCS		PCS



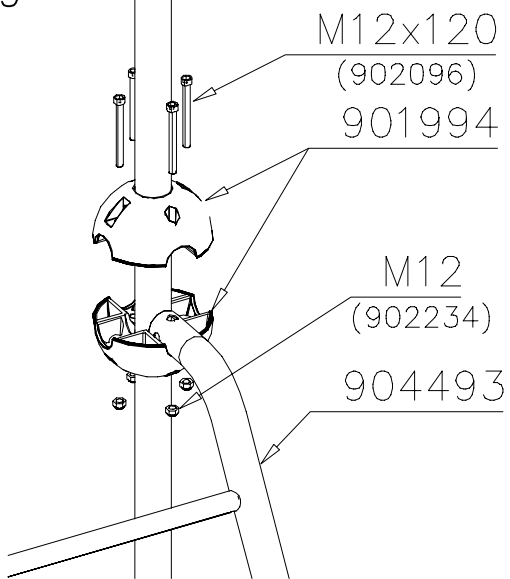
DET 1



DET 2

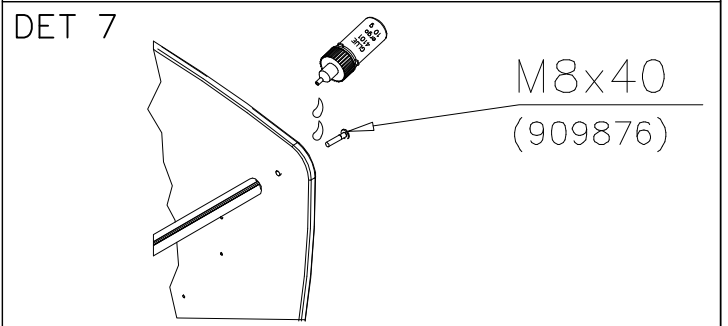
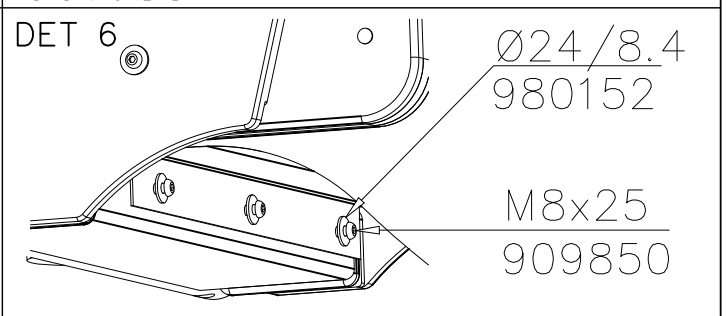
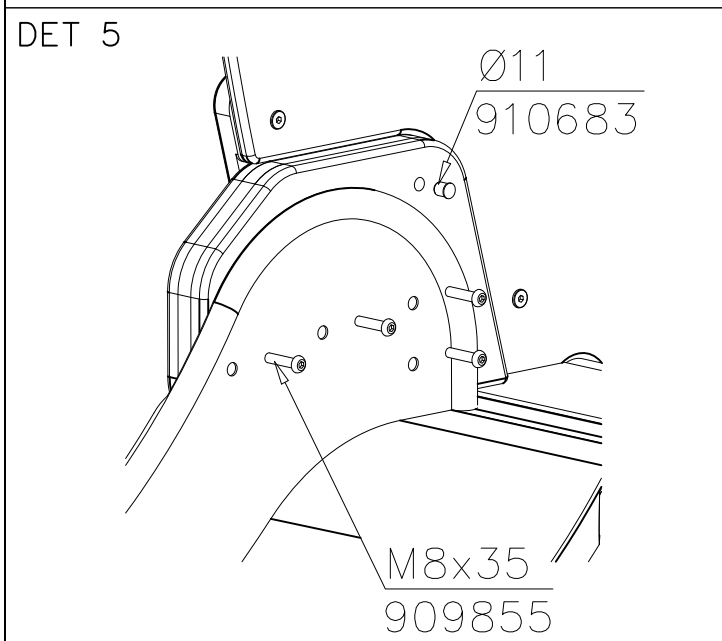
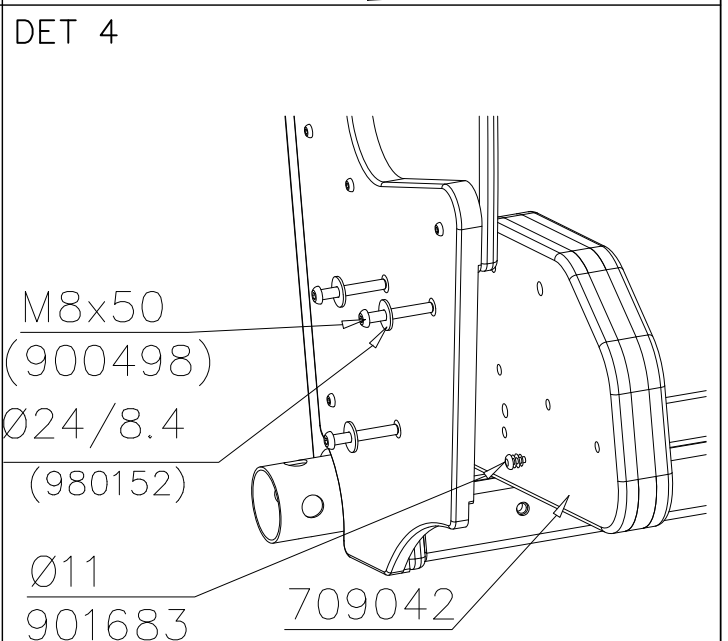
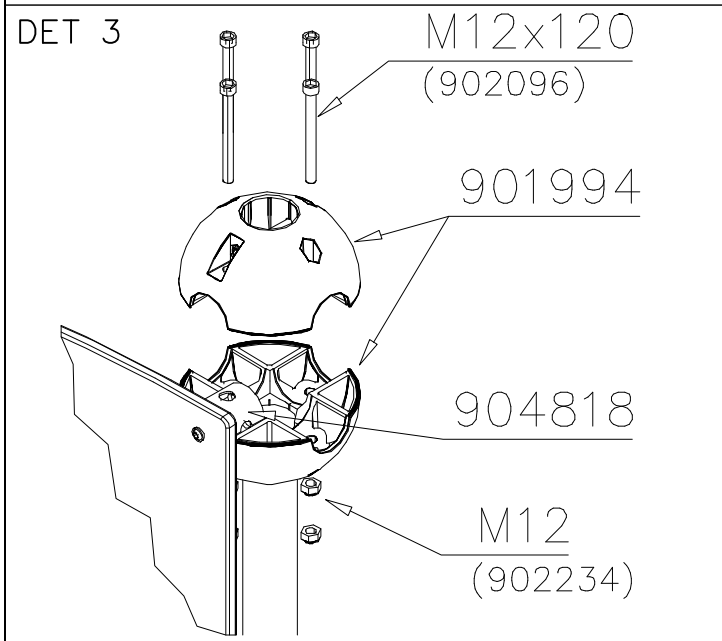
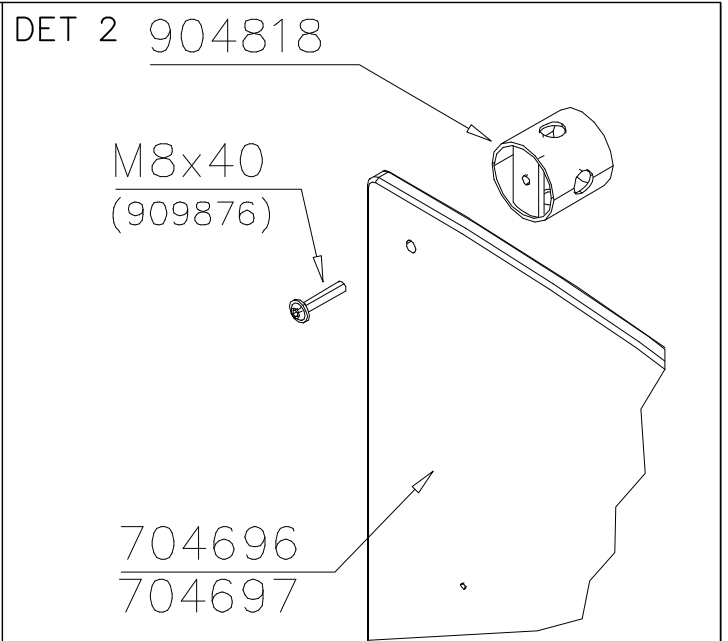
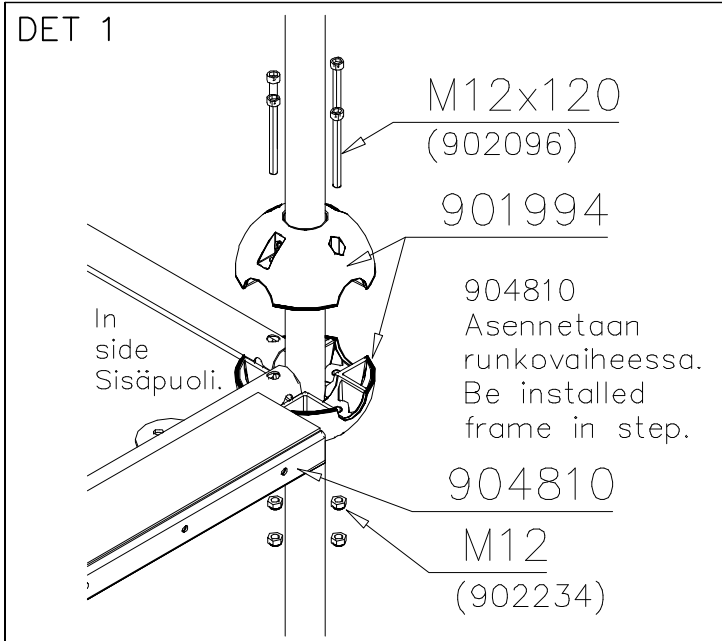


DET 3



Exploded view diagram of a mechanical assembly. The diagram shows various components labeled with circled numbers 1 through 13 and sub-assemblies labeled DET 1 through DET 7. Dimensions are provided for the main structure: 860, 784, 468, and a range of (870-1470-1970-2070).

① 704696	PCS	② 704697	PCS
	1		1
③ 904810	PCS	④ 904818	PCS
	1		2
⑤ 904833	PCS	⑥ 909876	PCS
	1		4
Ø30x565		M8x40	
⑦ 980152	PCS	⑧ 900498	PCS
	9		6
Ø24/8.4		M8x50	
⑨ 999561	PCS	⑩ 709042	PCS
	1		2
GLUE 4101 ergo 10 g			
10 g			
		⑪ 909855	PCS
			8
		M8x35	
		⑫ 910683	PCS
			4
		Ø11	
		⑬ 909850	PCS
			3
		M8x25	



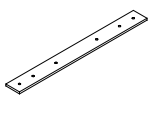
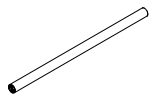

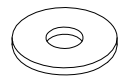
LAPPSET

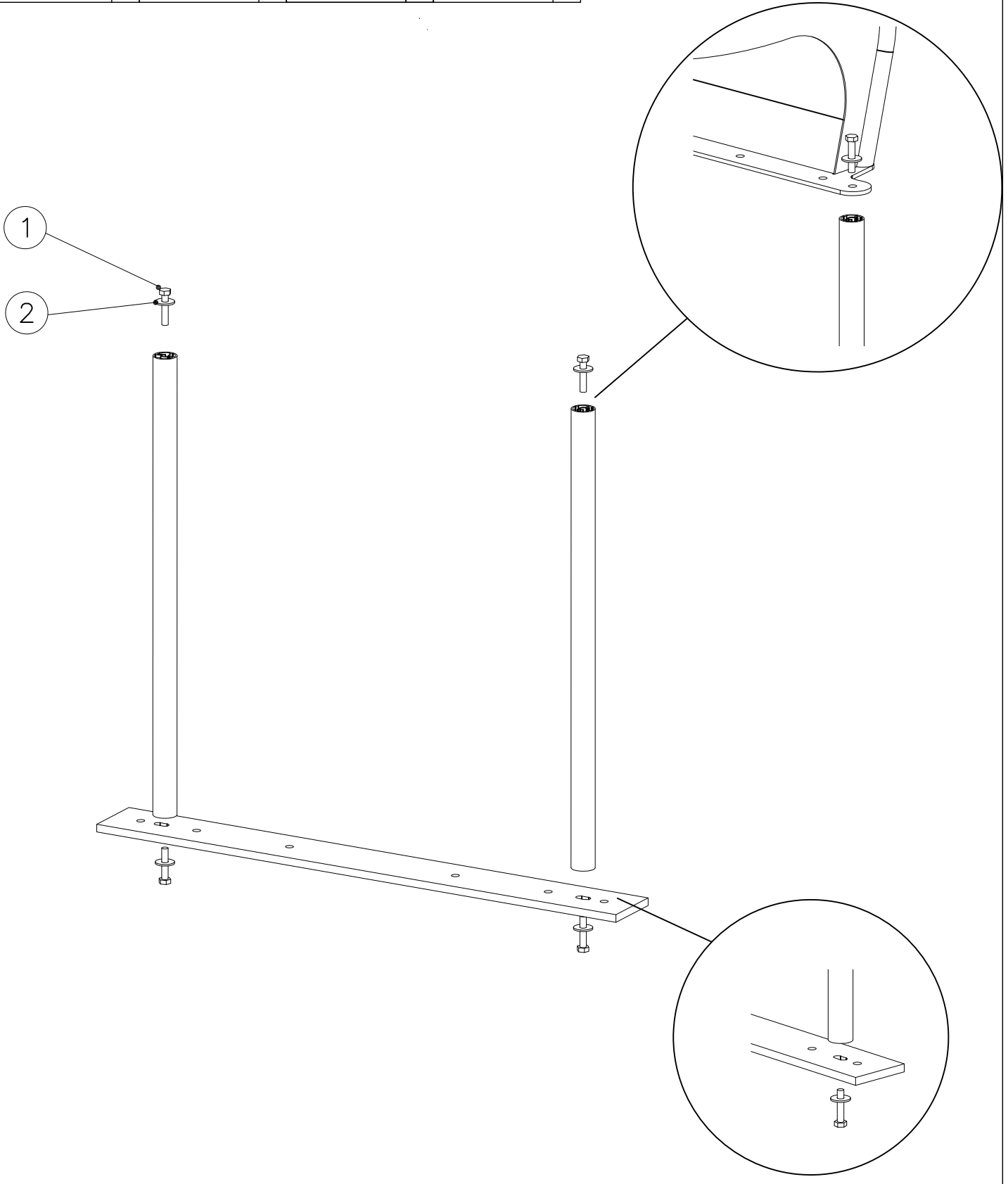
DEEP FOUNDATION

SLIDE METAL

DATE: 11.2.2019

1(1)

○ 707133	PCS	○ 901868	PCS	① 909210	PCS	② 905051	PCS
	1		2		4		4
							
10x80x745		Ø30x598		M8x40		Ø24/8.4	



LAPPSET

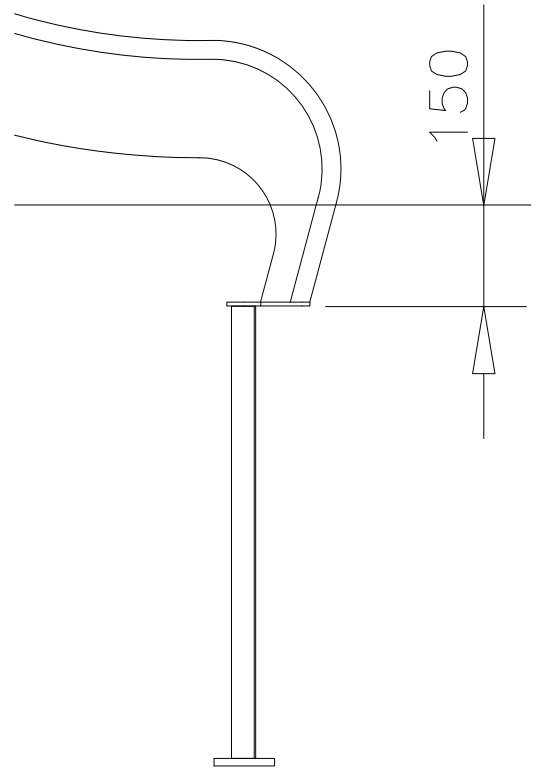
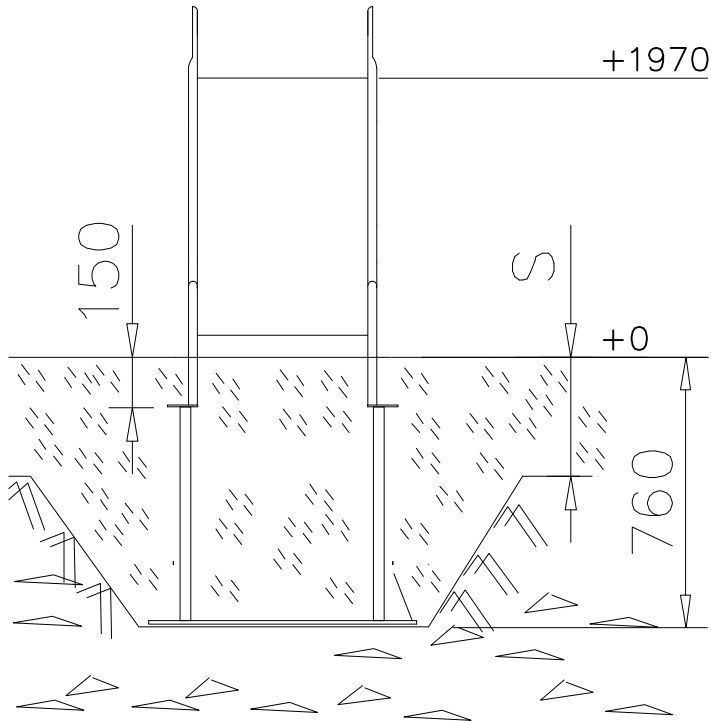
DEEP FOUNDATION

SLIDE METAL

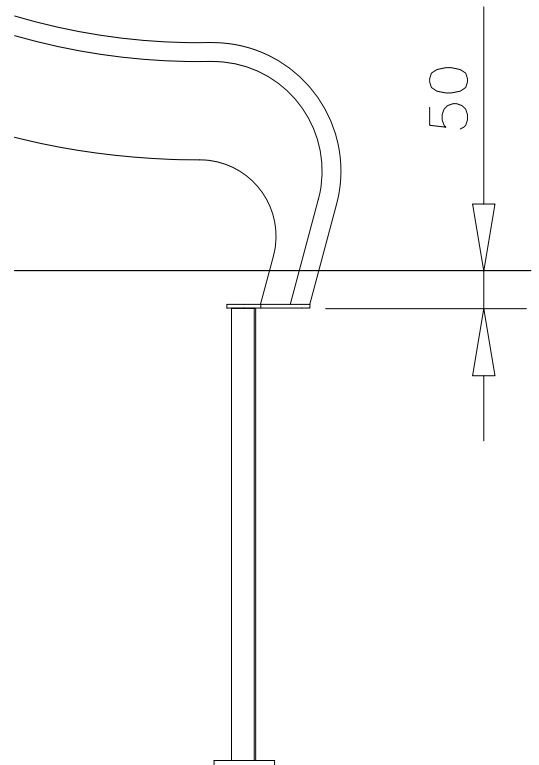
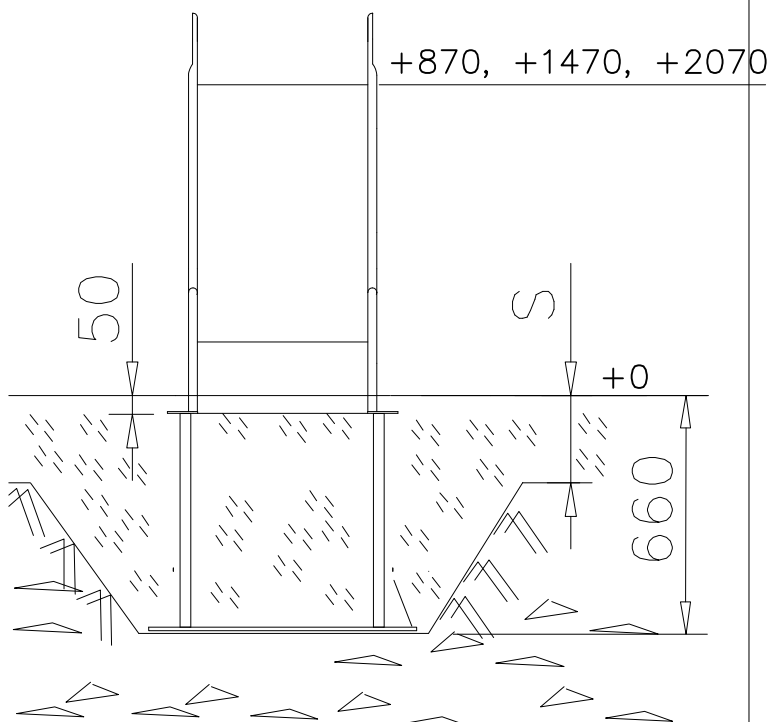
DATE: 24.11.2020

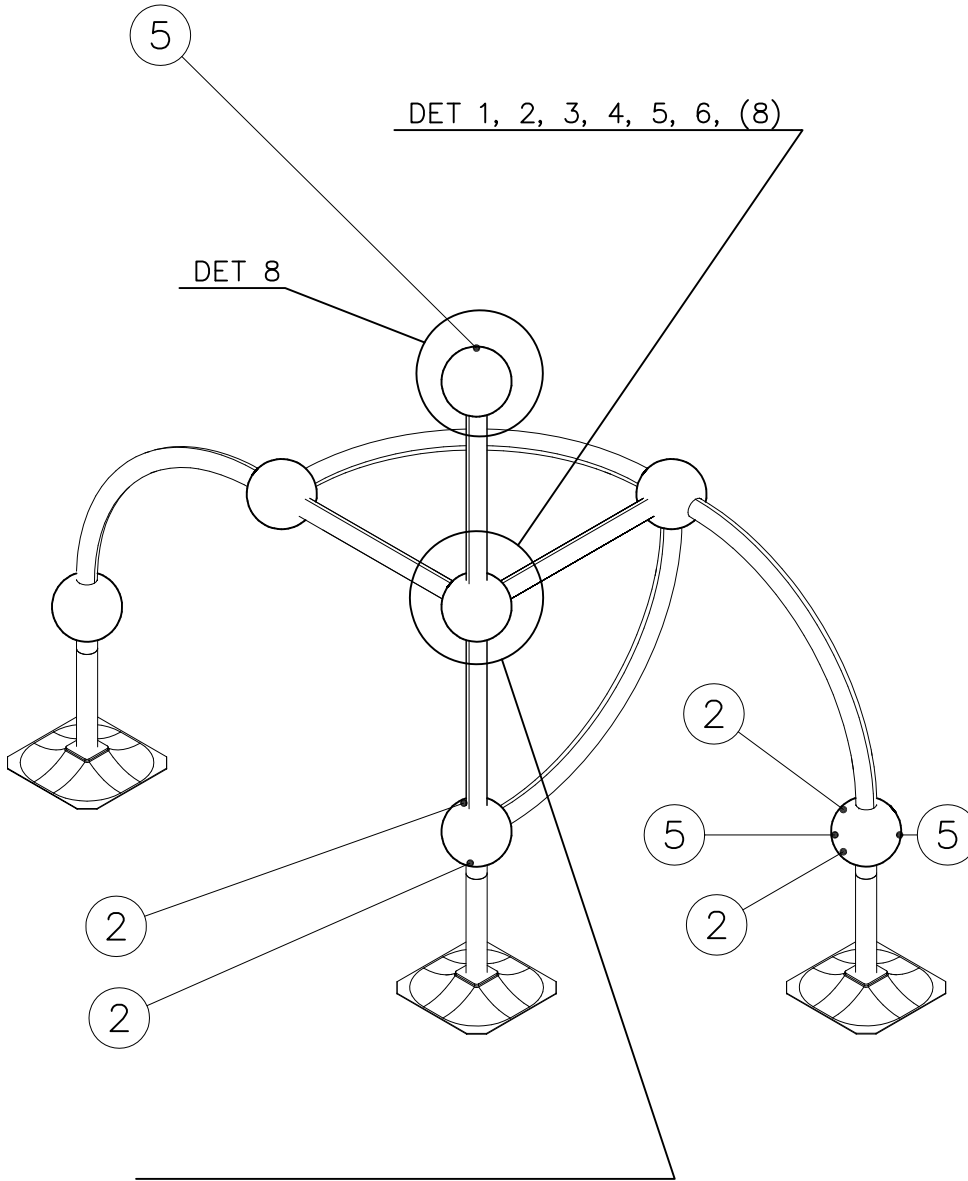
1(1)

Floor level +1970



Floor level +870,
+1470, +2070

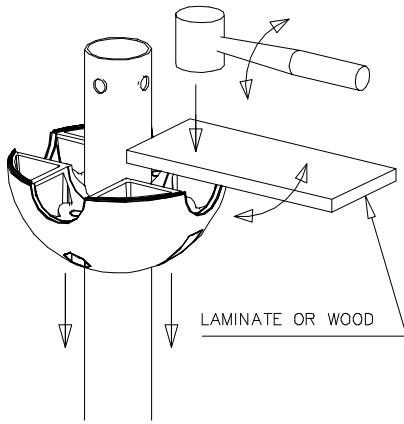




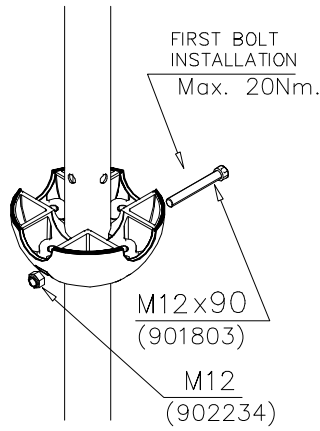
DO NOT TIGHTEN THE JOINTS UNTIL THE STRUCTURE IS COMPLETE.

① 901803	PCS	② 901994	PCS
	2		2
M12x90		Ø190	
③ 902096	PCS	④ 902234	PCS
	4		6
M12x120		M12	
	PCS		PCS
	PCS		PCS
	PCS		PCS
	PCS		PCS
	PCS		PCS
	PCS		PCS

DET 1



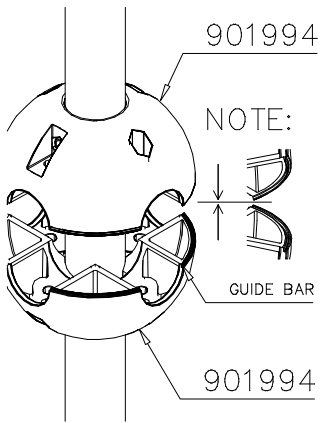
DET 2



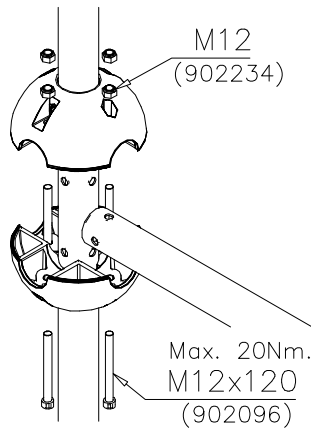
DET 3



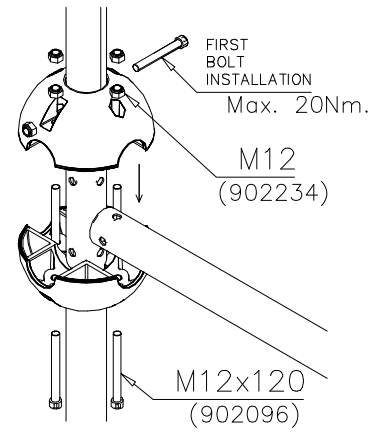
DET 4



DET 5

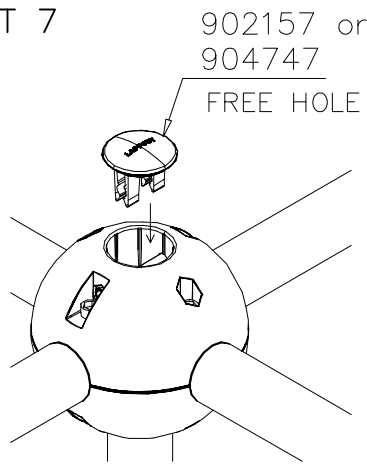


DET 6



REMEMBER
FINAL
TIGHTENING

DET 7



DET 8



**Tuotekyltti tulee tuotteen mukana yhdellä seuraavista tavoista:****1) Metallinen tuotekyltti ja kiinnitysruuvit**

- Kiinnitä tuotekyltti ruuveilla tolppaan noin 2 metrin korkeuteen kuvan 1 mukaisesti.

2) Tuotekylttitarra

- Puhdista maalattu metalli- tai vaneripinta pölystä ja kosteudesta. Liimaa tarra kuvan 2 mukaisesti.
- Huom. Älä kiinnitä tarraa karheapintaiseen laminaattiin tai maalattuun puuhun.

Vår produktmärkning levereras på ett av följande sätt:**1) Produktskylt i metall**

- Fäst skylten med de medföljande skruvarna

2) Självhäftande produktetikett

- Rengör den pulverlackerade metallytan eller laminatyten så att den blir fri från smuts och fukt. Fäst etiketten enligt fig. 2.
- Obs! Fäst ej etiketten på detaljer med skrovlig yta eller på målat trä.

Product label is delivered by one of following ways:**1) Metal product label and screws**

- Fasten the label with screws.

2) Label sticker

- Clean the painted metal or plywood surface from dirt and moisture. Fasten the sticker as shown in the figure 2.
- Note. Do not attach the sticker to rough surfaced laminate or painted wood.

La plaque d'informations produit est livrée sous l'une de ces 3 formes :**1) Plaque métallique et vis**

- Fixez la plaque à l'aide des vis.

2) Etiquette autocollante

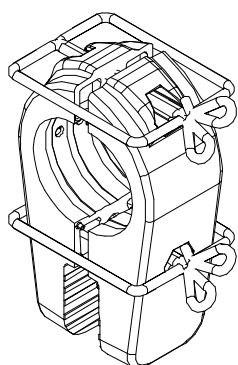
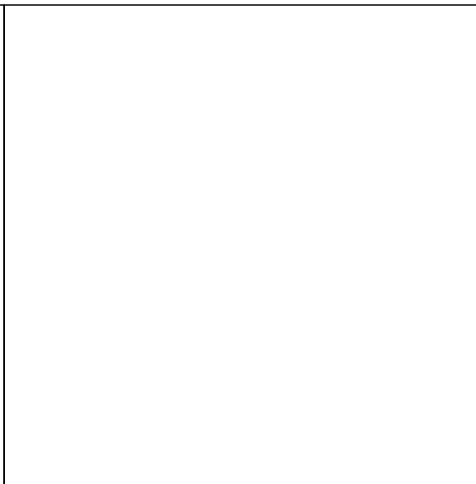
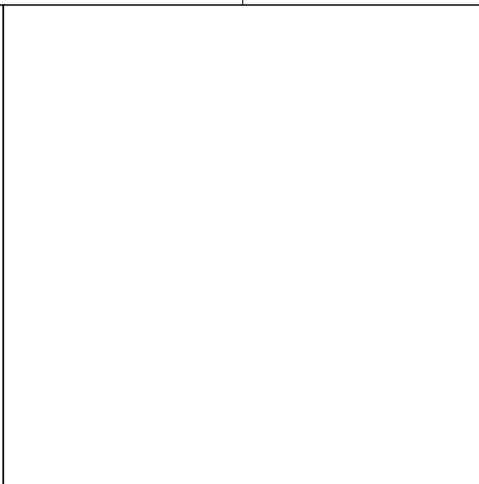
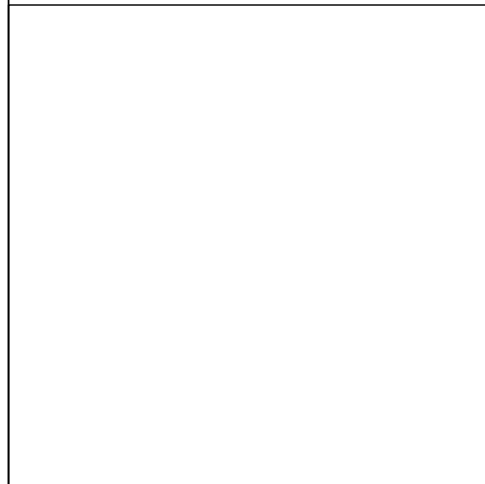
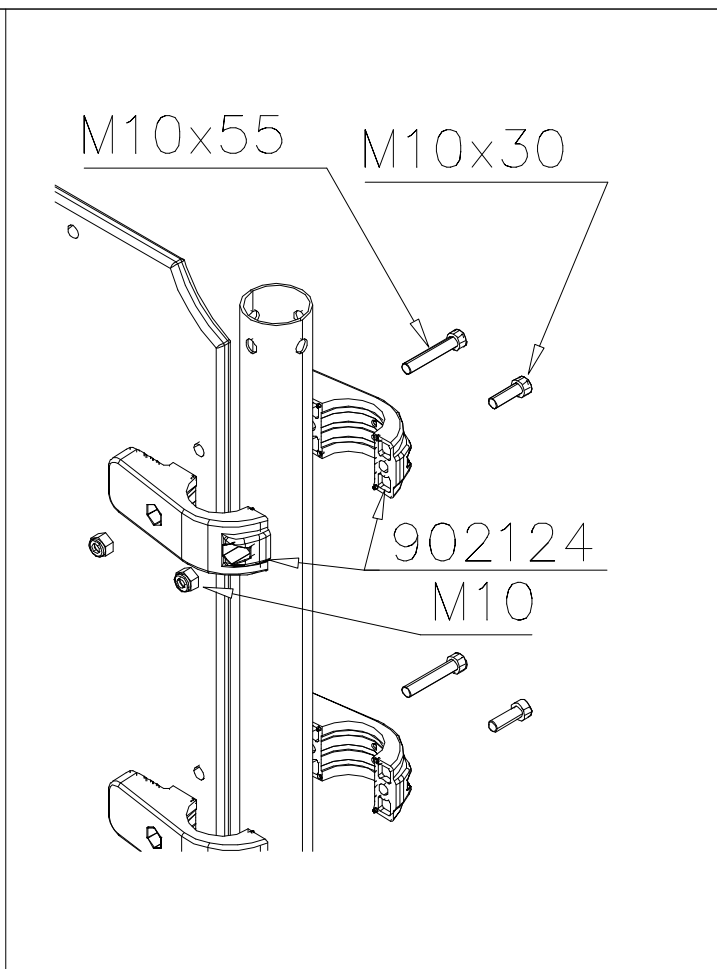
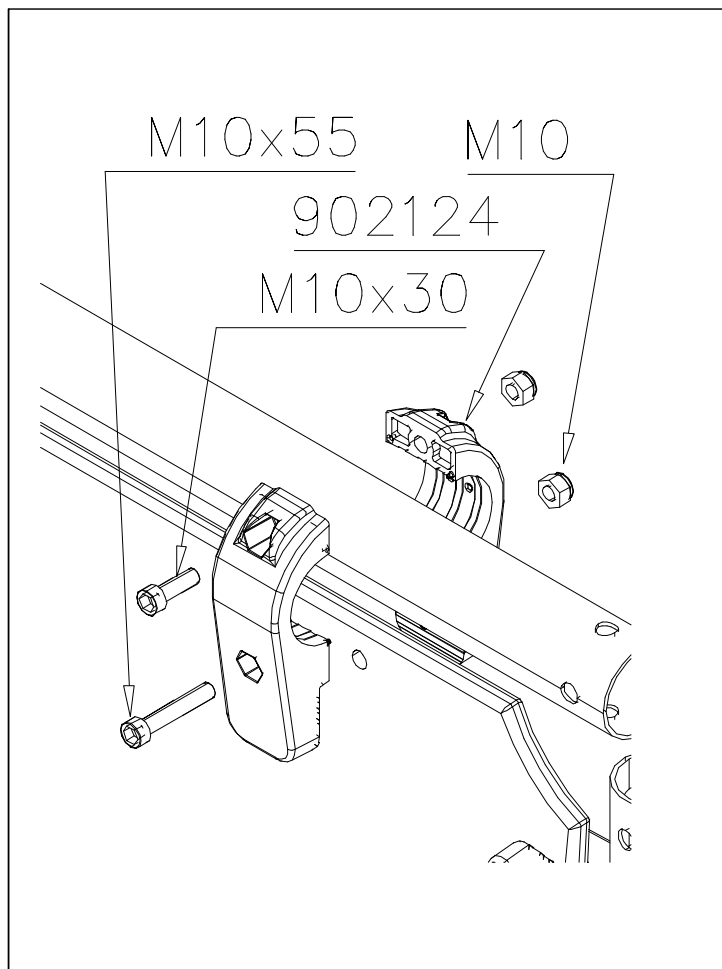
- Avant de coller l'étiquette, nettoyez le composant métallique peint ou la plaque de contreplaqué, de toute saleté. La surface doit être sèche (voir image 2).
- Attention, ne pas coller l'étiquette sur une surface lamellé-collée irrégulière ou sur du bois peint.

Die Auslieferung des Produktaufklebers erfolgt auf eine dieser Arten:**1) Produkt-Schild aus Metall incl. Schrauben**

- Die Befestigung des Schildes erfolgt mittels der Schrauben.

2) Aufkleber

- Entfernen Sie zunächst Schmutz und Feuchtigkeit vom lackierten Metall bzw. von der Holzoberfläche und bringen Sie den Aufkleber wie im Bild oben rechts beschrieben auf den gesäuberten Untergrund auf.
- Beachten Sie: Bringen Sie den Aufkleber nicht auf raues laminiertes oder lackiertes Holz an.



NOTE:

Use a wire marked pairs of the same junction.

Huom!

Käytä langalla merkittyä paria samassa liitoksessa.

HUOM!

Otepalan asennus, säätö tai paikan vaihto.

Säätömahdollisuus (90°,180°,270°).

Jos asennetun otepalan suunta- tai paikkaa halutaan muuttaa.

Irrota otepalan kiinnityspultti ja otepala, käännä tai vaihda.

Siirrä tarvittaessa tappi oikeaan upotusreikään. Asenna avatut osat paikoilleen ja lopuksi kiinnitä muovitulppa Ø30 paikoilleen kaikkiin otekokoonpanoihin.

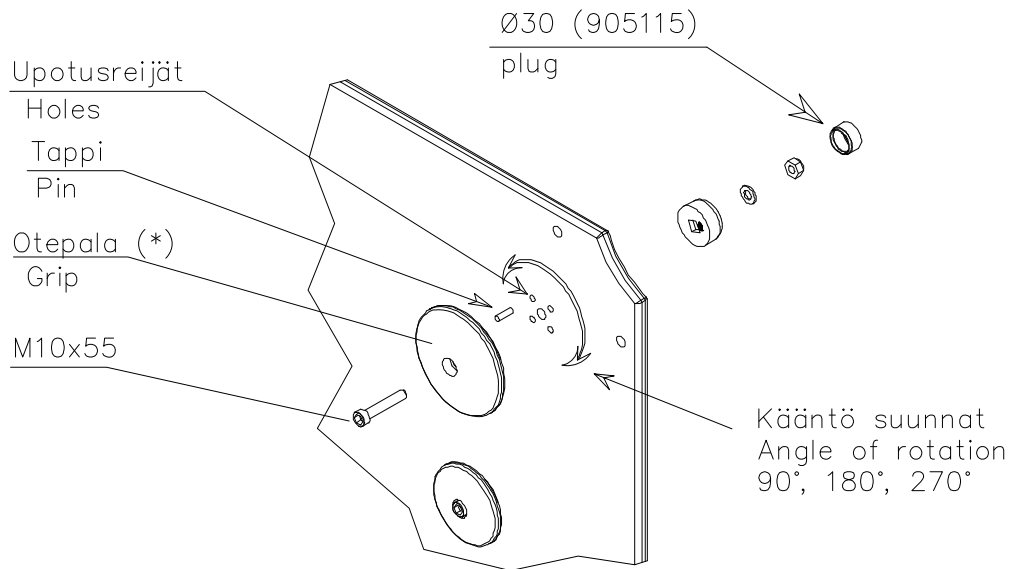
NOTE:

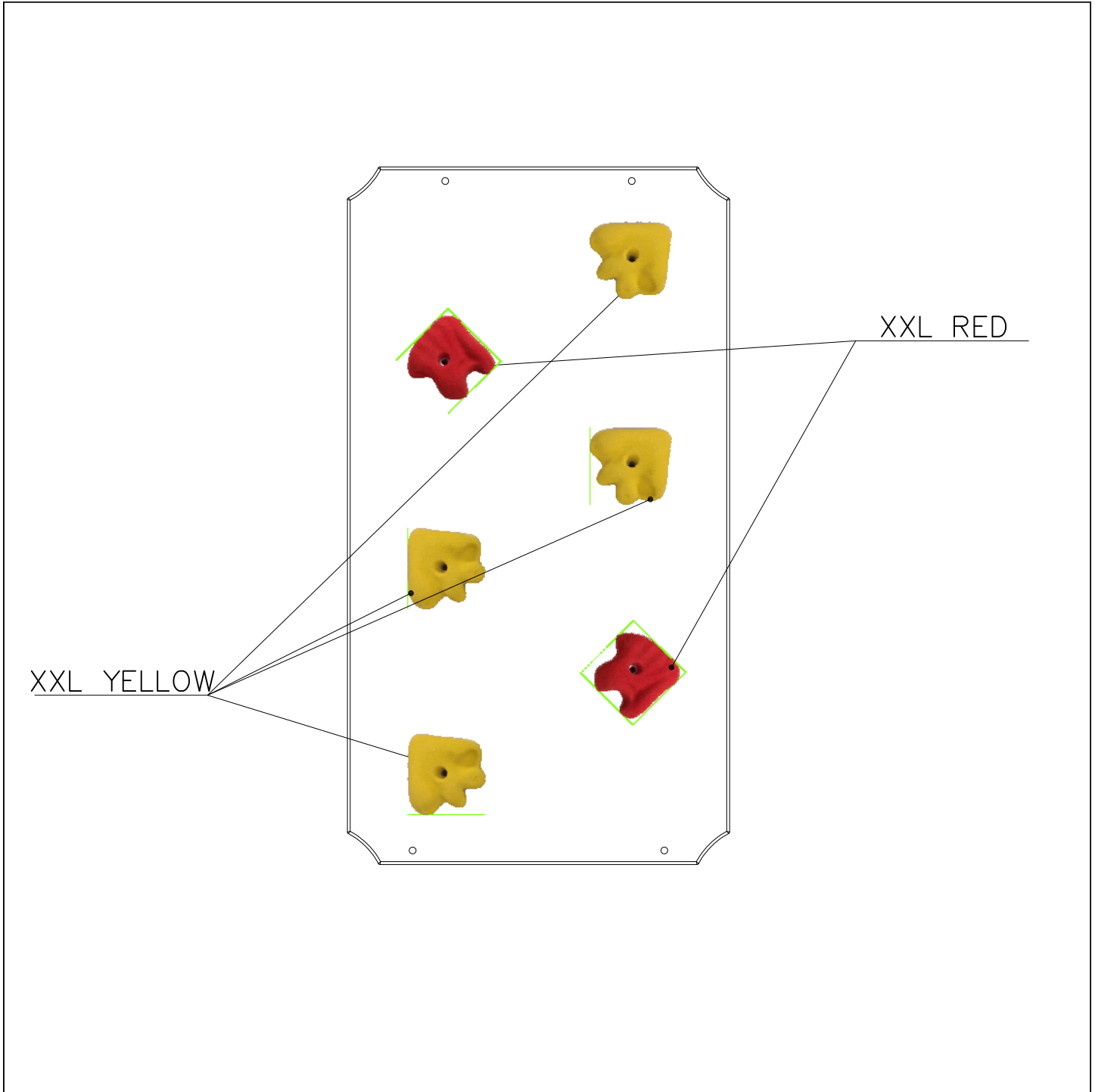
Grip positions and angles are adjustable (90°,180°270°).

Grip can be repositioned by removing the fastening bolt and pulling the grip off.

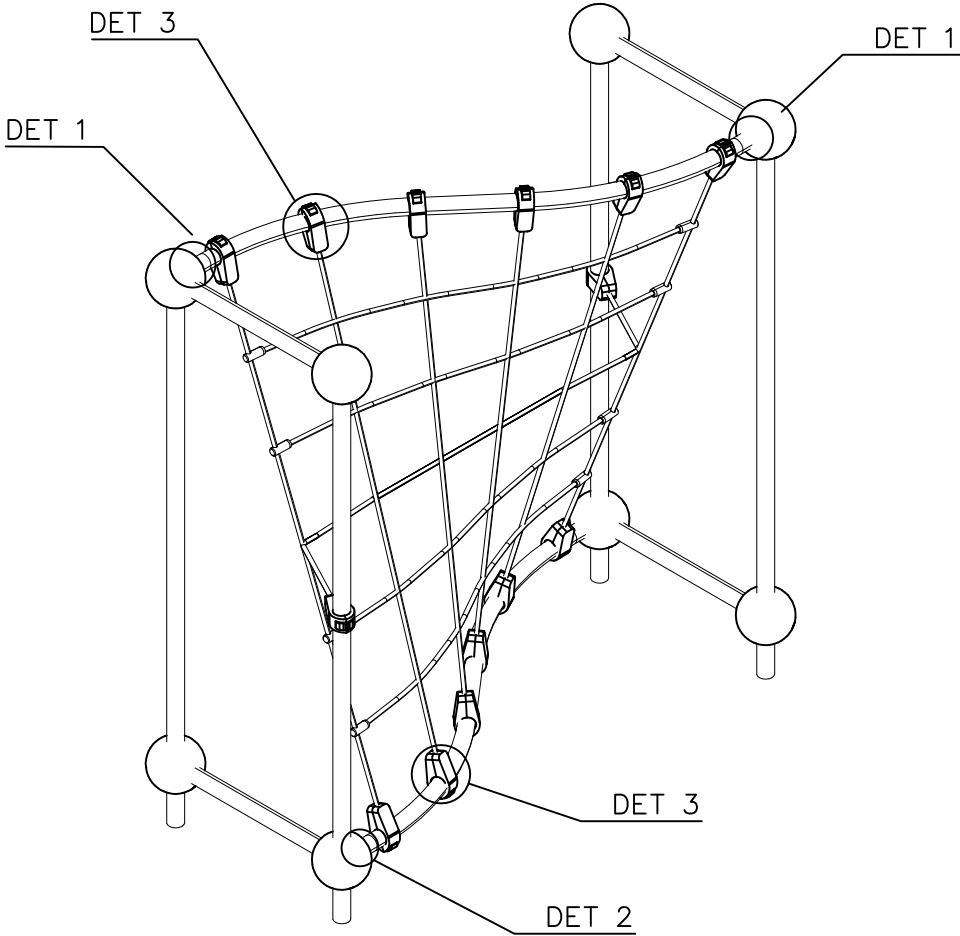
Securing pin can be repositioned when angle is changed.

After the parts are reassembled. Finish the assembly by fastening the cover plugs (Ø30).

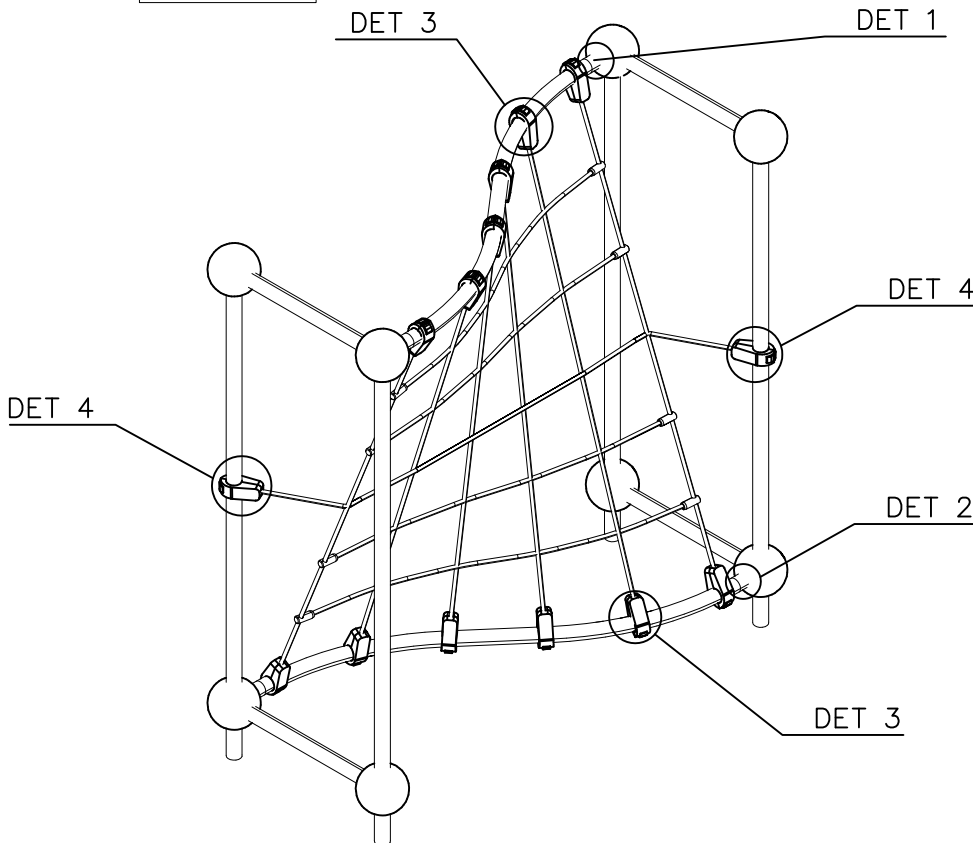


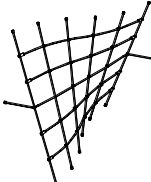
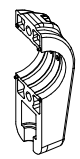
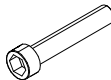
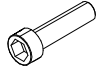
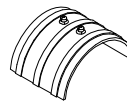




○ 704006	PCS ○ 704005	PCS	○ 902124	PCS	○ 902232	PCS	○ 902233	PCS	○ 980161	PCS	○ 905115	PCS
		1		8		10		4		14		6
	D. GREY		150x50x50		M10x55		M10x30		M10		Ø32	
	PCS ○ 905090	PCS	○ 901302	PCS	○ 904336	PCS	* ○ 904301	PCS	* ○ 904302	PCS		PCS
		6		6		6		2		4		
	Ø45		Ø20/10.5		Ø6x20		XXL RED		XXL YELLOW			

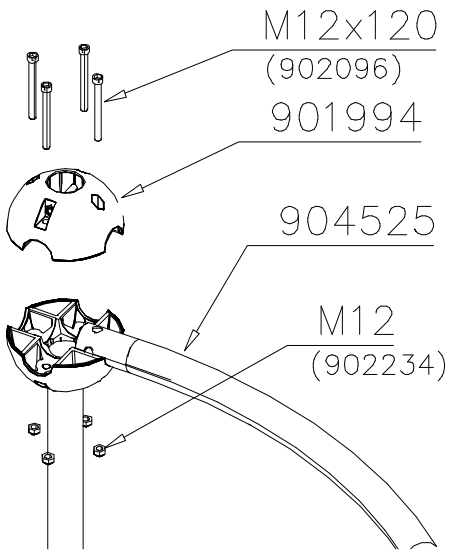


OR / TAI

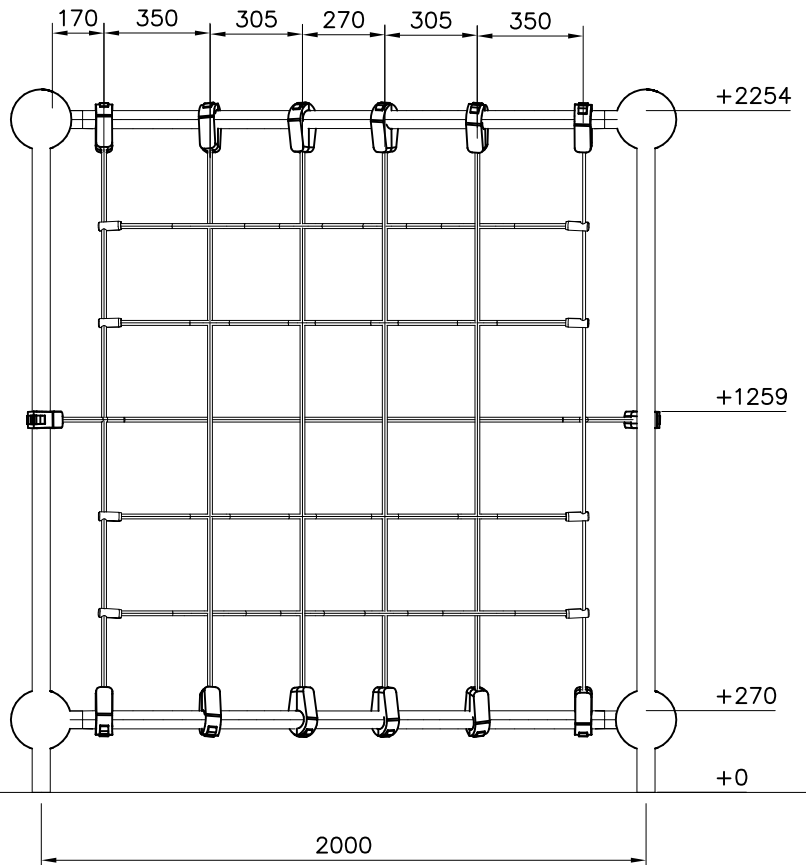
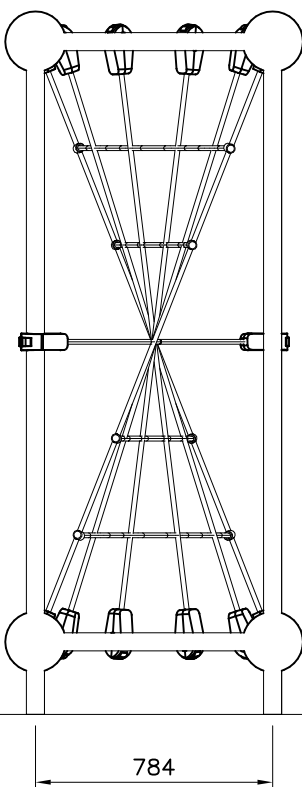
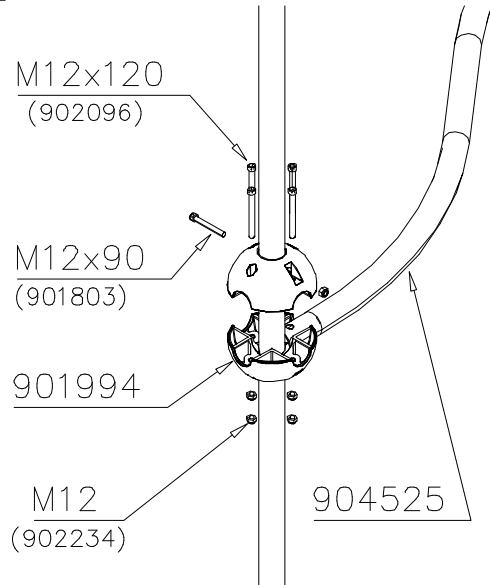


① 704071	PCS	② 902195	PCS
	1		28
		150x50x50	
③ 902232	PCS	④ 902233	PCS
	14		14
M10x55		M10x30	
⑤ 902273	PCS	⑥ 904525	PCS
	28		2
		Ø60x2.5	
⑦ 980161	PCS		PCS
	28		
M10			
	PCS		PCS
	PCS		PCS
	PCS		PCS
	PCS		PCS

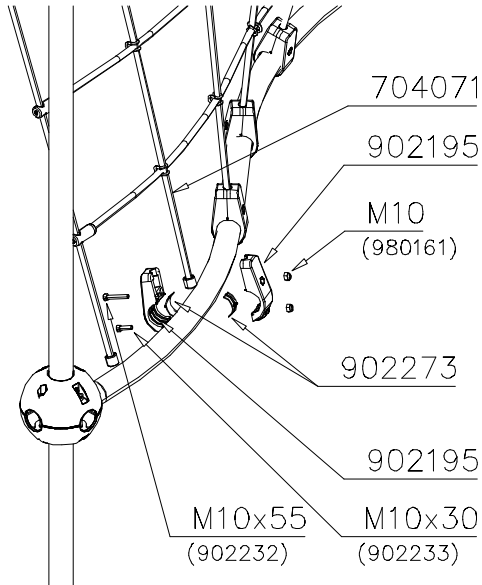
DET 1



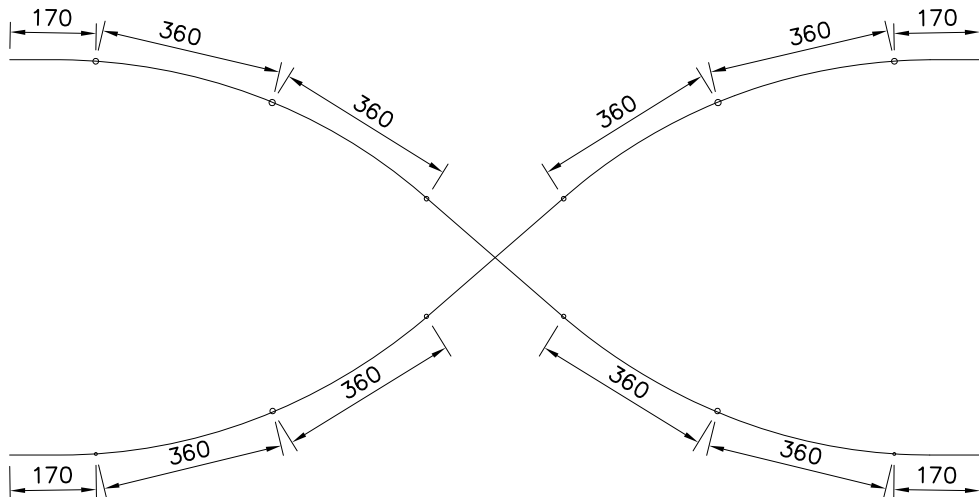
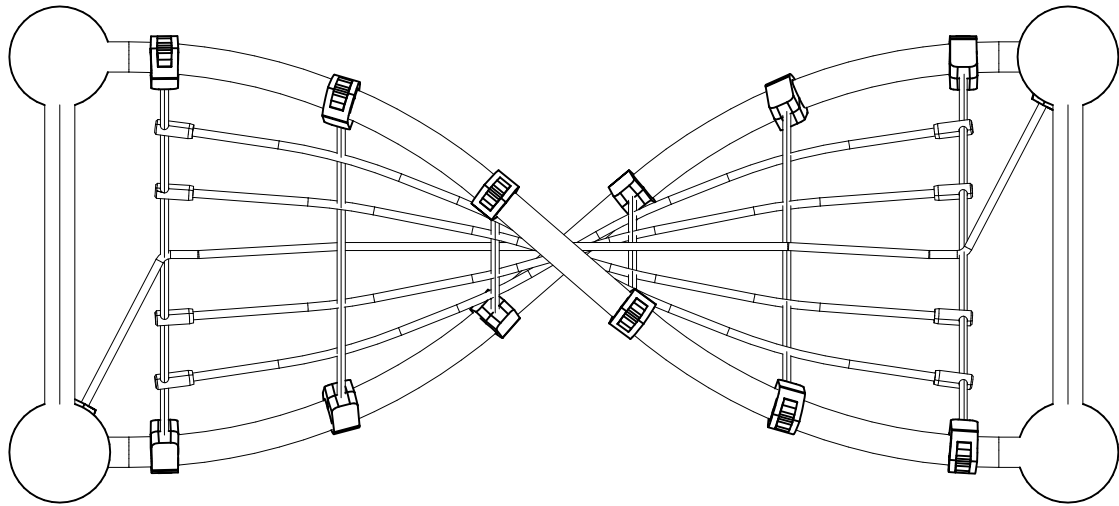
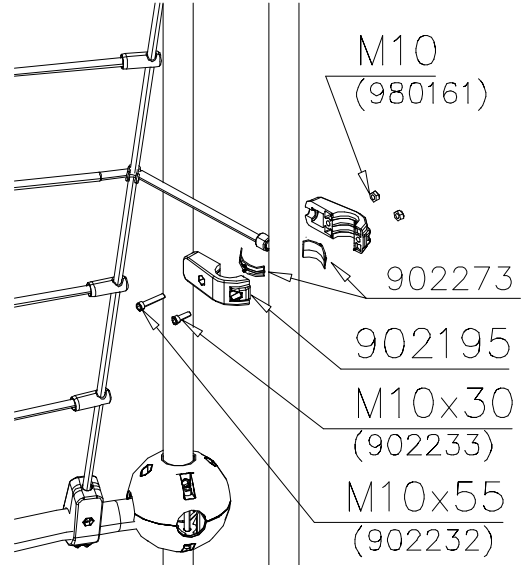
DET 2

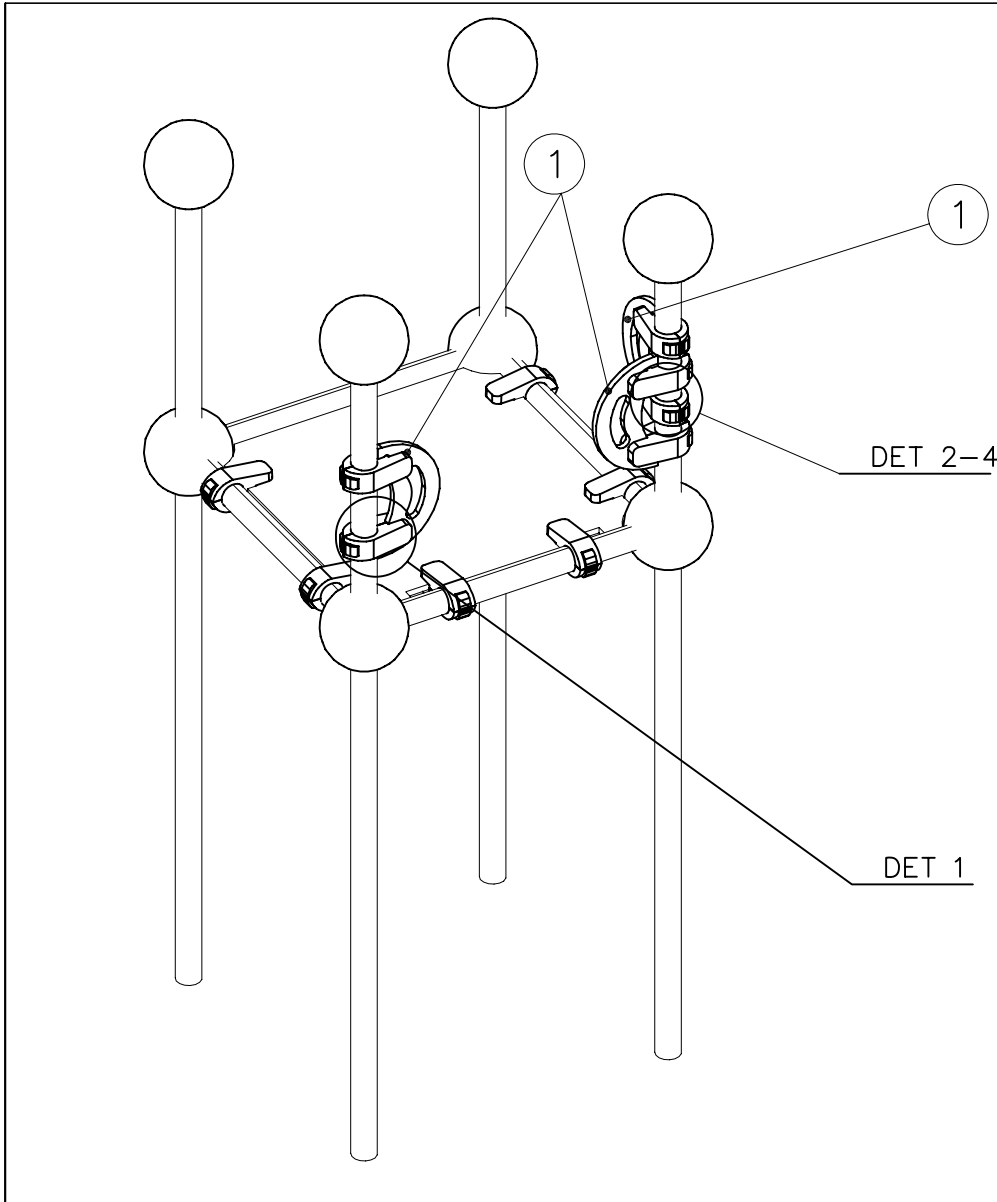


DET 3

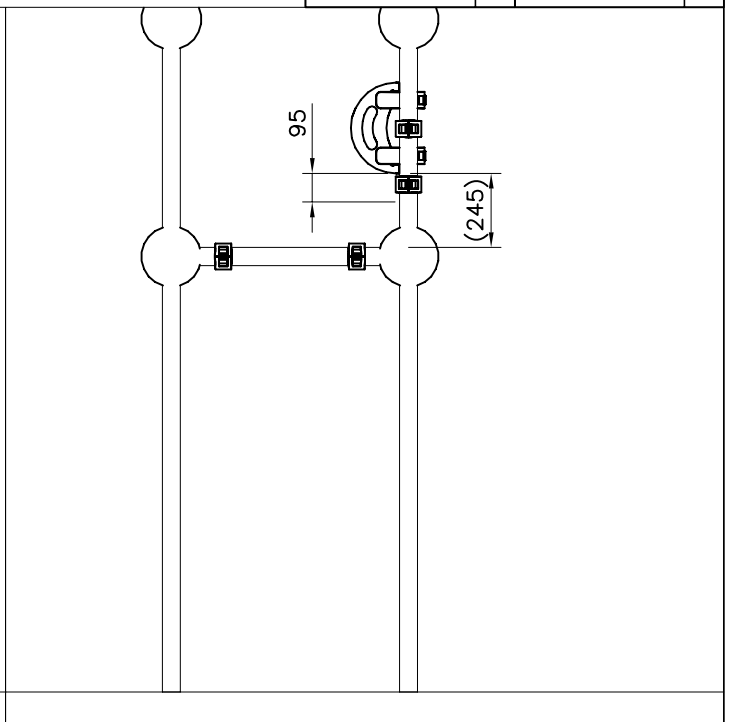
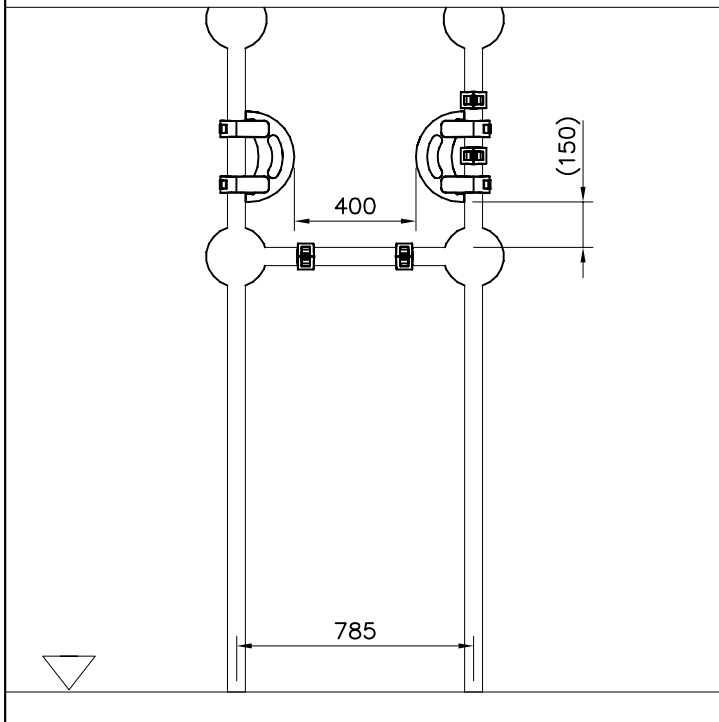


DET 4

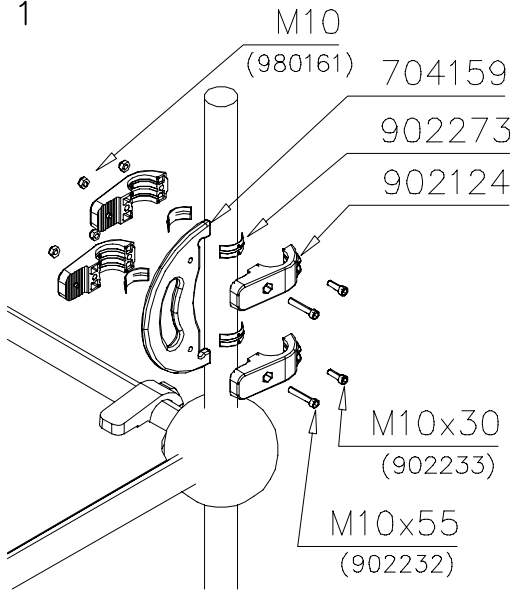




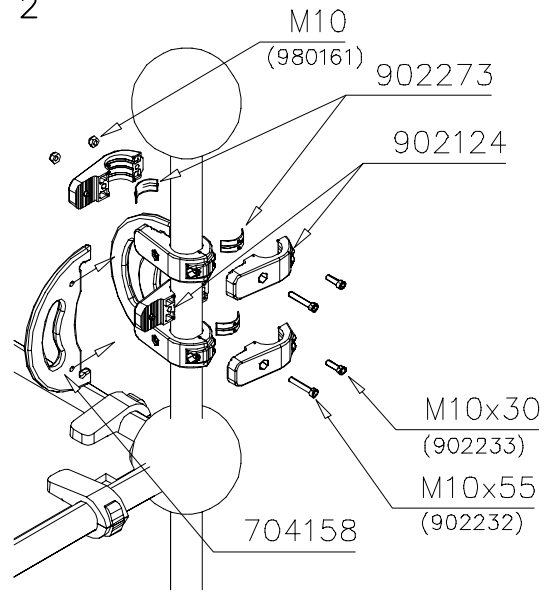
① 704158	PCS	② 902124	PCS
	1		4
		150x50x50	
③ 902232	PCS	④ 902233	PCS
	2		2
M10x55		M10x30	
⑤ 902273	PCS	⑥ 980161	PCS
	4		4
		M10	
	PCS		PCS
	PCS		PCS



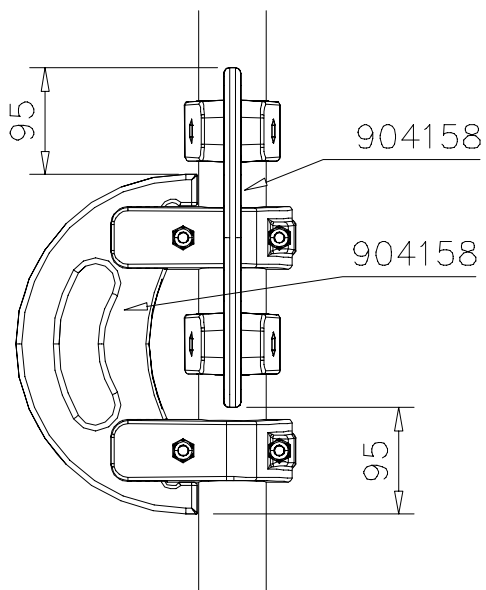
DET 1



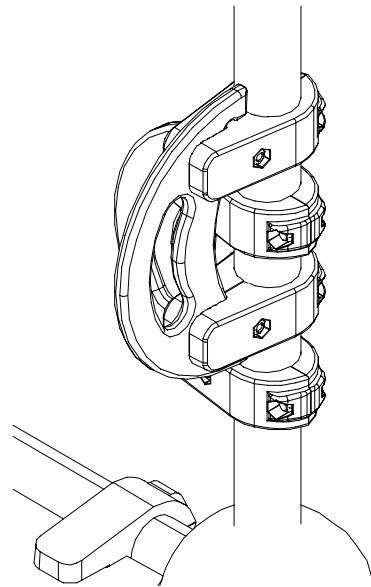
DET 2

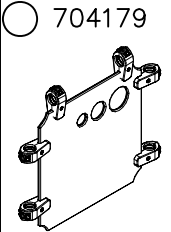
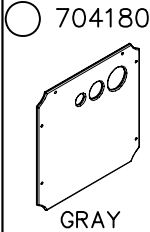
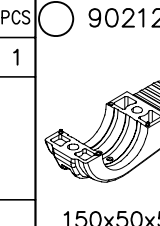
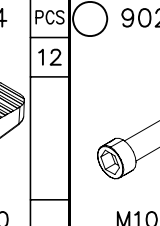
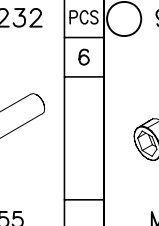
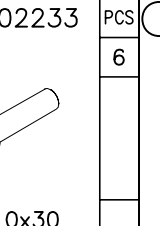
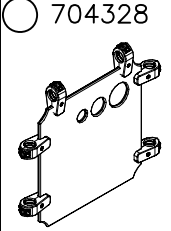
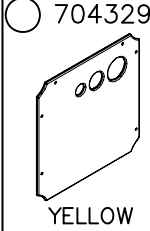
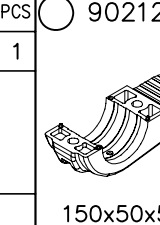
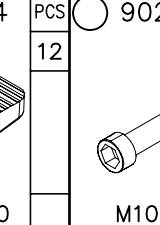
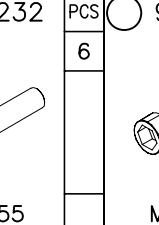
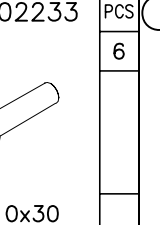
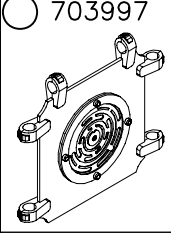
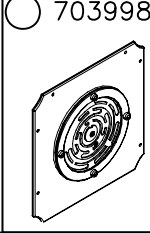
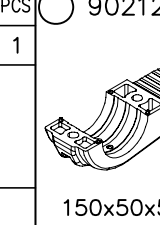
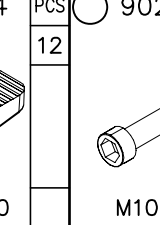
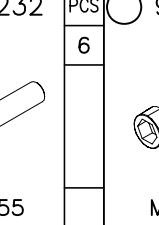
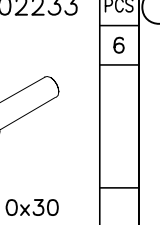
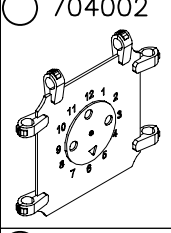
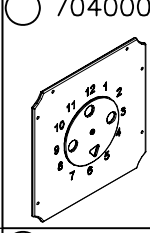
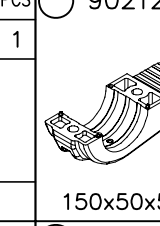
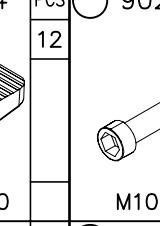
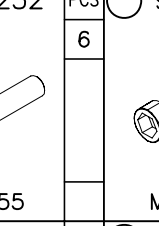
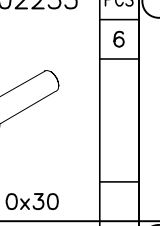
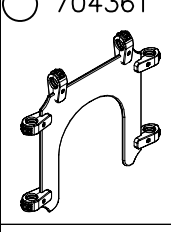
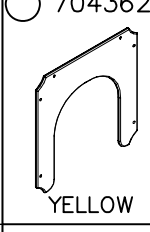
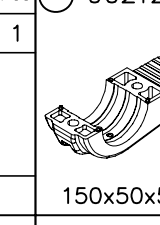
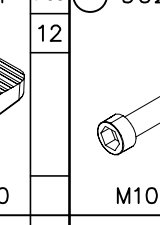
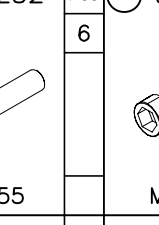
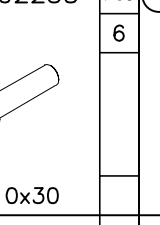


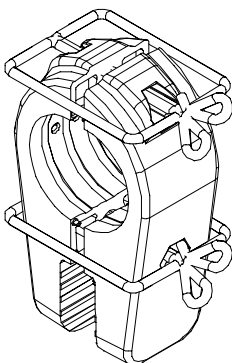
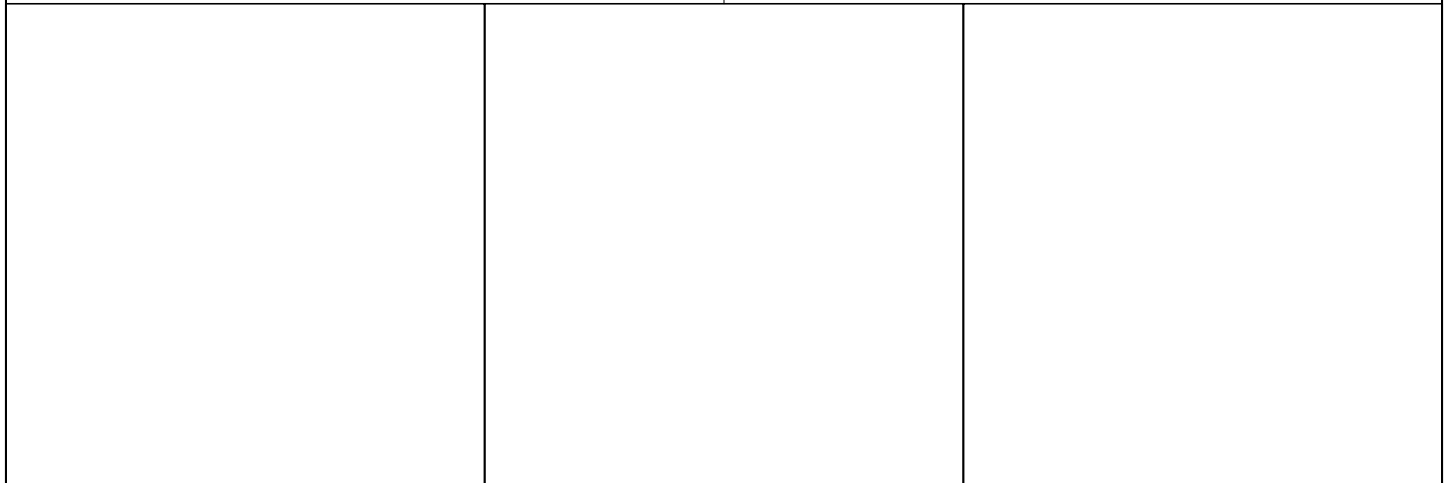
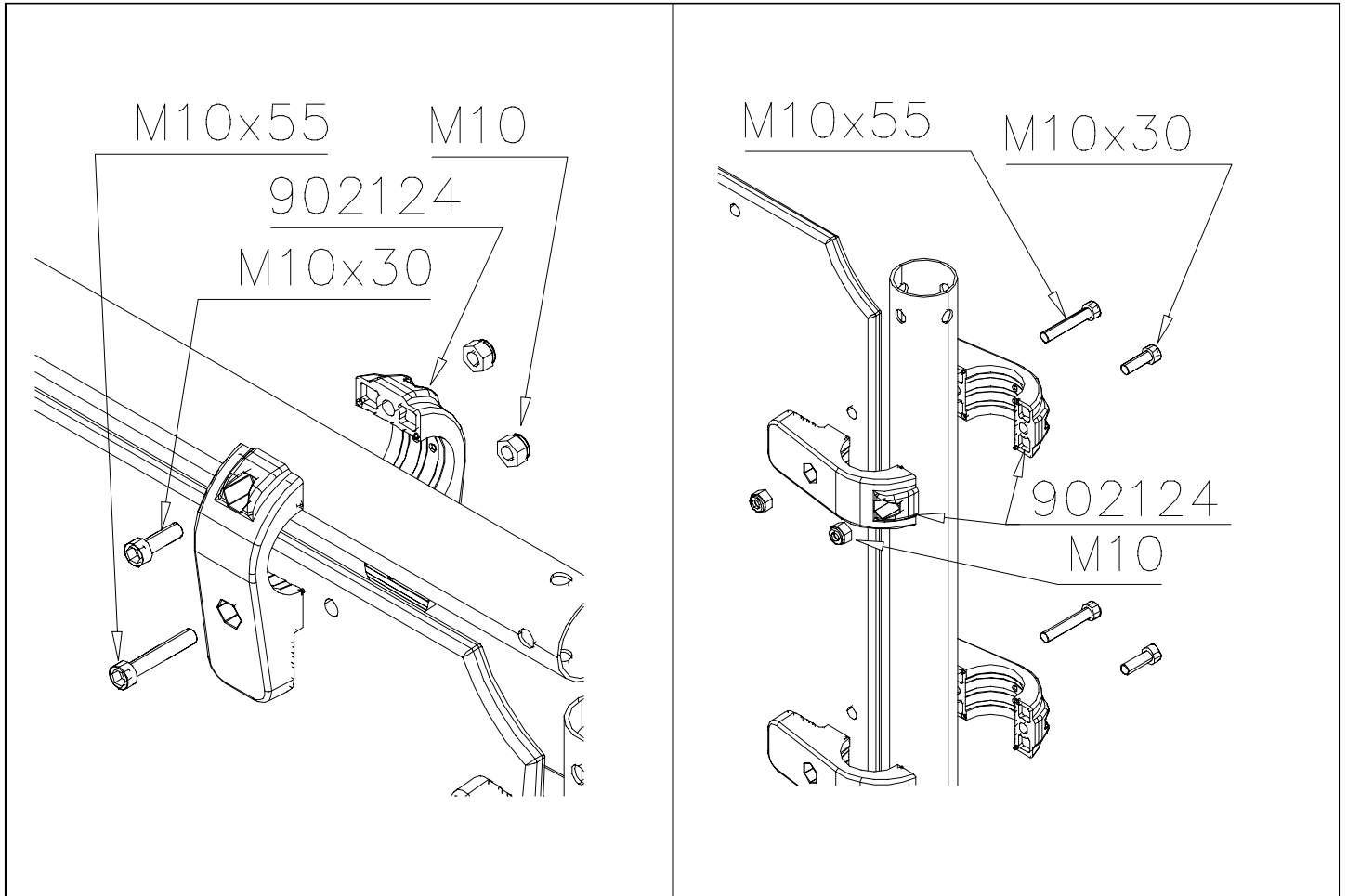
DET 3



DET 4

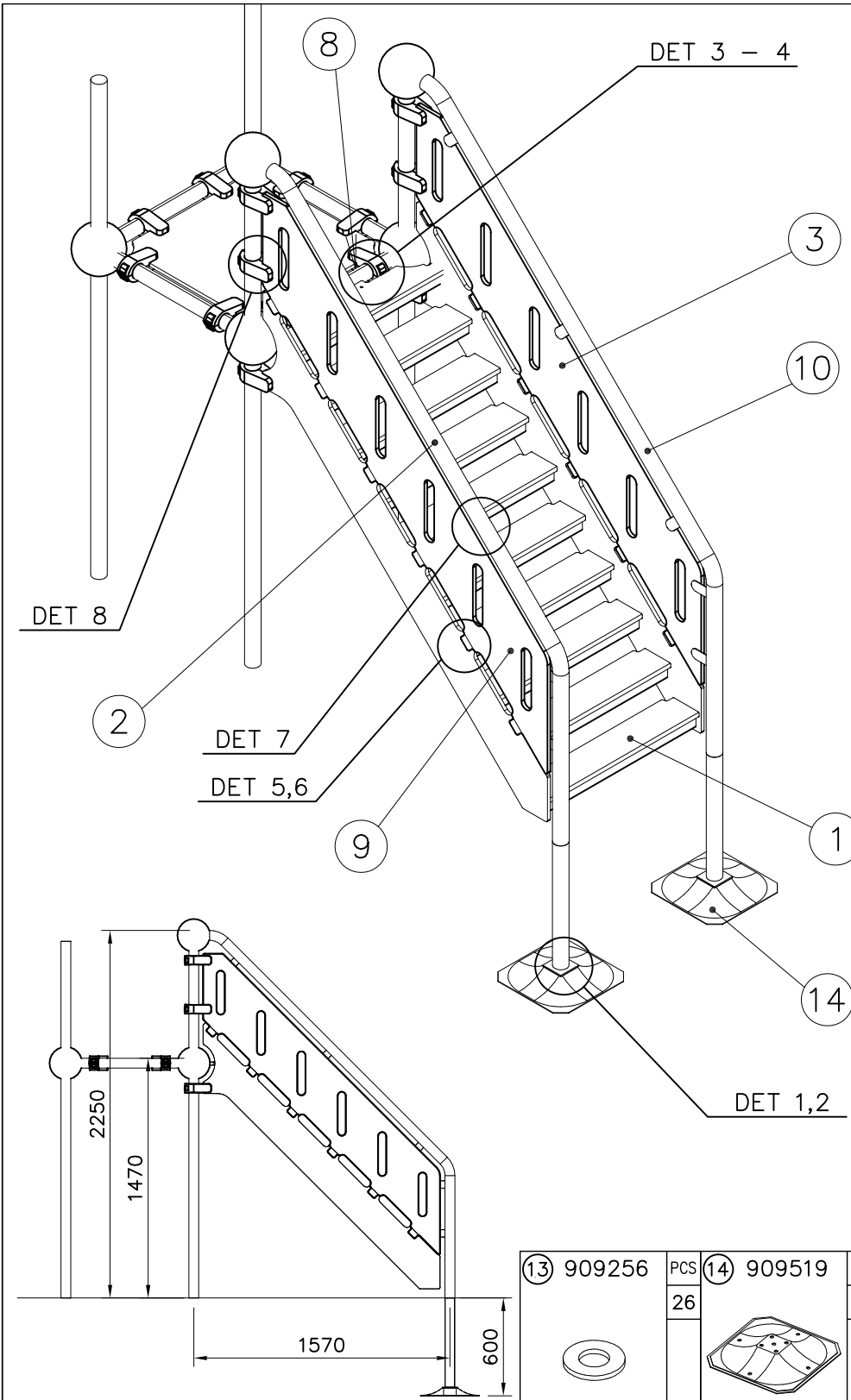


	 GRAY	PCS 1	 150x50x50	PCS 12	 M10x55	PCS 6	 M10x30	PCS 6	 M10	PCS 12		PCS
	 YELLOW	PCS 1	 150x50x50	PCS 12	 M10x55	PCS 6	 M10x30	PCS 6	 M10	PCS 12		PCS
		PCS 1	 150x50x50	PCS 12	 M10x55	PCS 6	 M10x30	PCS 6	 M10	PCS 12		PCS
		PCS 1	 150x50x50	PCS 12	 M10x55	PCS 6	 M10x30	PCS 6	 M10	PCS 12		PCS
	 YELLOW	PCS 1	 150x50x50	PCS 12	 M10x55	PCS 6	 M10x30	PCS 6	 M10	PCS 12		PCS
		PCS		PCS		PCS		PCS		PCS		PCS
		PCS		PCS		PCS		PCS		PCS		PCS
		PCS		PCS		PCS		PCS		PCS		PCS

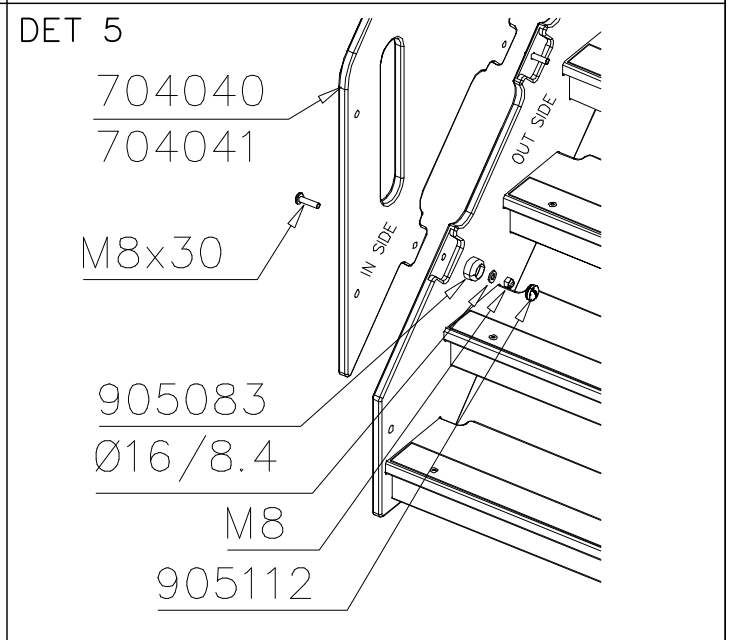
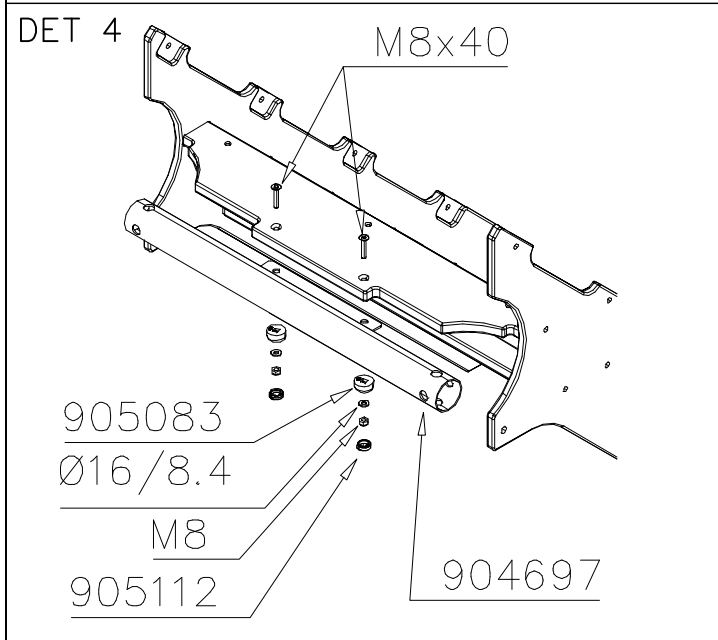
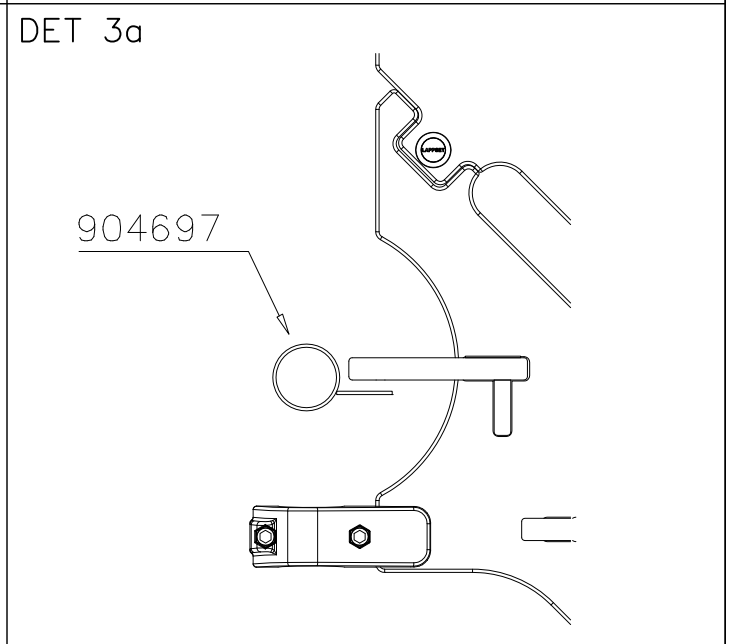
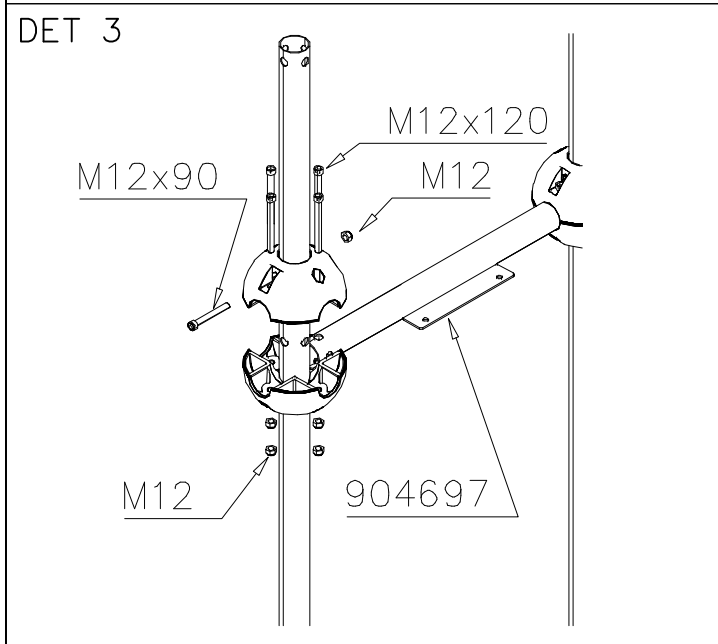
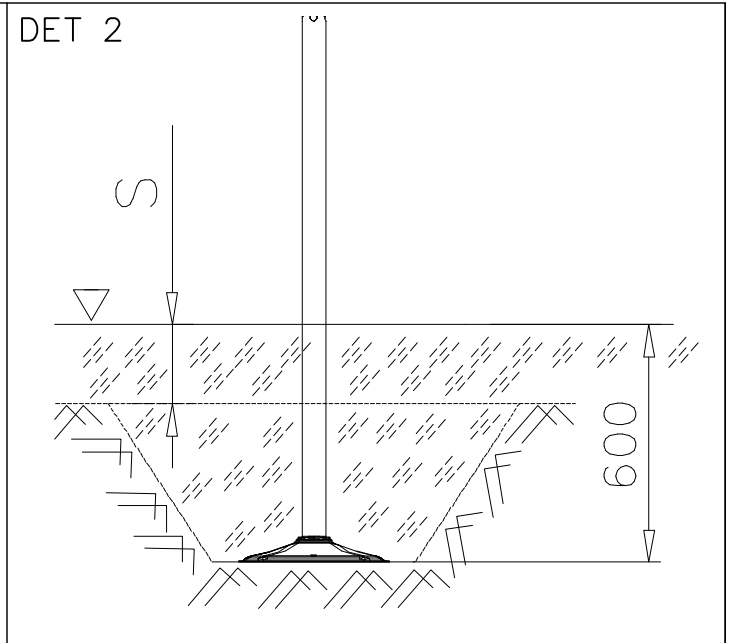
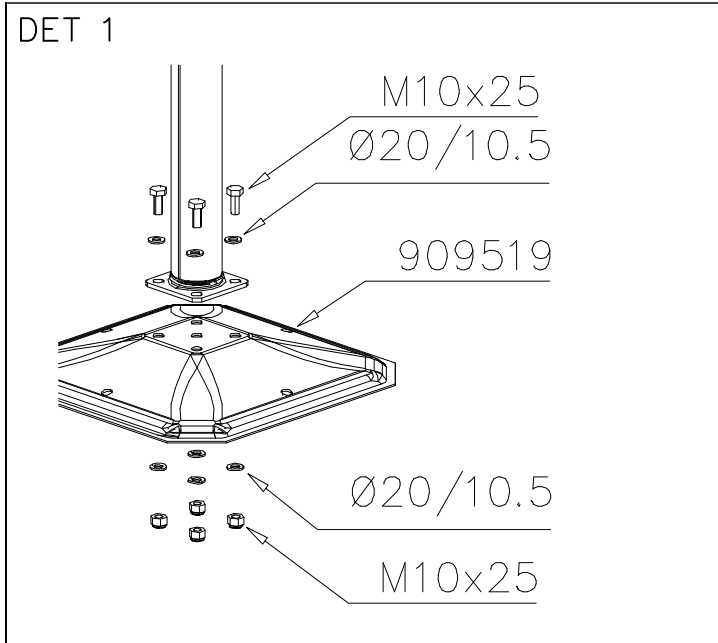


NOTE:
Use a wire marked pairs
of the same junction.

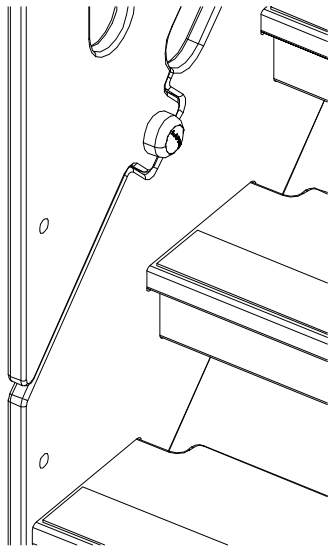
Huom!
Käytä langalla merkittyä
paria samassa liitoksessa.



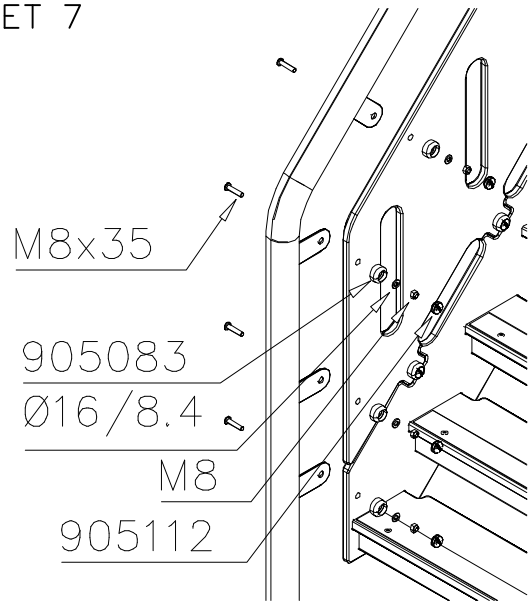
① 704256	PCS	② 704040	PCS
	1		1
③ 704041	PCS	④ 902124	PCS
	1		12
⑤ 902232	PCS	⑥ 902233	PCS
	6		6
⑦ 904068	PCS	⑧ 904697	PCS
	2		1
⑨ 904757	PCS	⑩ 904758	PCS
	1		1
⑪ 905083	PCS	⑫ 905112	PCS
	26		26
⑬ 909256	PCS	⑭ 909519	PCS
	26		2
⑮ 909637	PCS	⑯ 909638	PCS
	8		16
⑰ 909639	PCS	⑱ 909852	PCS
	8		12
⑲ 909855	PCS	⑳ 980160	PCS
	12		26
㉑ 980161	PCS		PCS
	12		



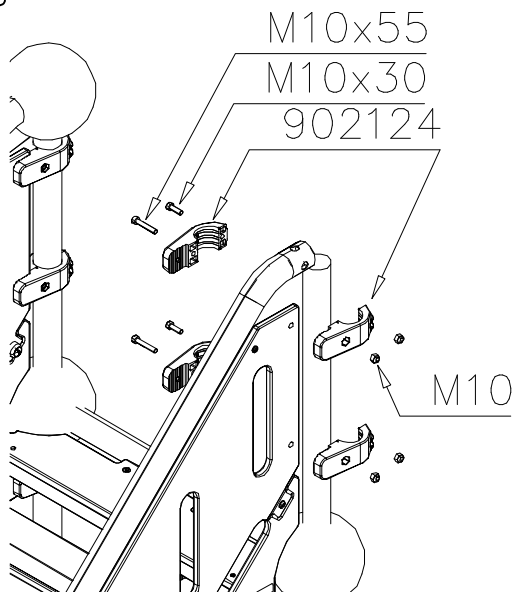
DET 6



DET 7



DET 8



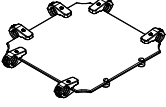
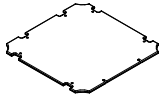
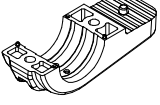
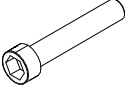
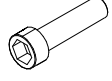
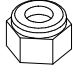
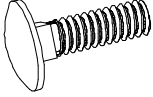
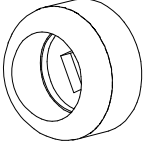

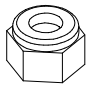
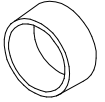
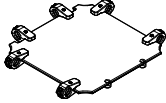
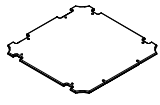
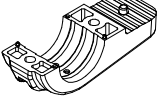
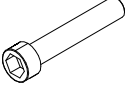
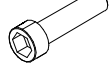
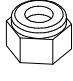
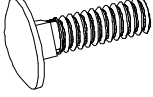
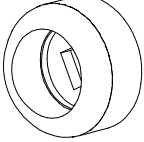

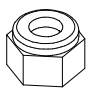
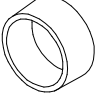
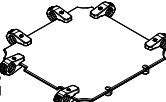
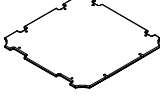
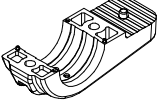
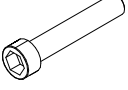
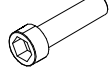
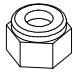
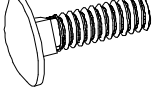
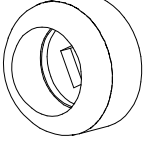

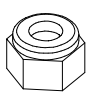
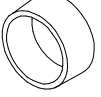
LAPPSET®

FLOOR (SLIDE)

CLOXX

DATE: 3.10.2013

1(3)

○ 704432 	○ 704038 	PCS 1	○ 902124  150x50x50	PCS 12	○ 902232  M10x55	PCS 6	○ 902233  M10x30	PCS 6	○ 980161  M10	PCS 12		PCS
		PCS	○ 909109  M12x40	PCS 2	○ 905090  Ø45	PCS 2	○ 980154  Ø24/13	PCS 2	○ 909248  M12	PCS 2	○ 905115  Ø32	PCS 2
		PCS		PCS		PCS		PCS		PCS		PCS
○ 704447 	○ 704446 	PCS 1	○ 902124  150x50x50	PCS 12	○ 902232  M10x55	PCS 6	○ 902233  M10x30	PCS 6	○ 980161  M10	PCS 12		PCS
		PCS	○ 909109  M12x40	PCS 2	○ 905090  Ø45	PCS 2	○ 980154  Ø24/13	PCS 2	○ 909248  M12	PCS 2	○ 905115  Ø32	PCS 2
		PCS		PCS		PCS		PCS		PCS		PCS
○ 704666 	○ 704667 	PCS 1	○ 902124  150x50x50	PCS 12	○ 902232  M10x55	PCS 6	○ 902233  M10x30	PCS 6	○ 980161  M10	PCS 12		PCS
		PCS	○ 909109  M12x40	PCS 2	○ 905090  Ø45	PCS 2	○ 980154  Ø24/13	PCS 2	○ 909248  M12	PCS 2	○ 905115  Ø32	PCS 2

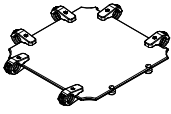
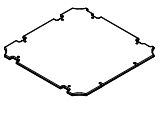
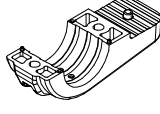
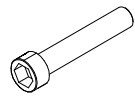
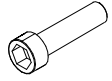
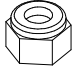
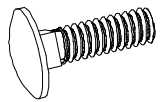
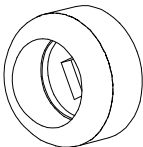
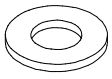

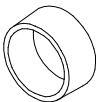
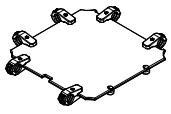
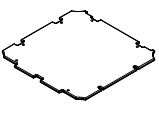
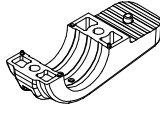
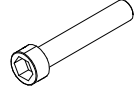
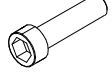
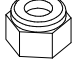
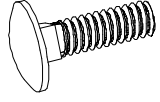
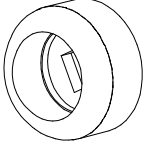

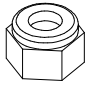
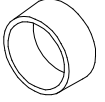
LAPPSET®

FLOOR (SLIDE)

CLOXX

DATE: 3.10.2013

2(3)

○ 704684	○ 704685	PCS 1	○ 902124	PCS 12	○ 902232	PCS 6	○ 902233	PCS 6	○ 980161	PCS 12		PCS
			 150x50x50		 M10x55		 M10x30		 M10			
		PCS	○ 909109	PCS 2	○ 905090	PCS 2	○ 980154	PCS 2	○ 909248	PCS 2	○ 905115	PCS 2
			 M12x40		 Ø45		 Ø24/13		 M12		 Ø32	
		PCS		PCS		PCS		PCS		PCS		PCS
○ 704692	○ 704693	PCS 1	○ 902124	PCS 12	○ 902232	PCS 6	○ 902233	PCS 6	○ 980161	PCS 12		PCS
			 150x50x50		 M10x55		 M10x30		 M10			
		PCS	○ 909109	PCS 2	○ 905090	PCS 2	○ 980154	PCS 2	○ 909248	PCS 2	○ 905115	PCS 2
			 M12x40		 Ø45		 Ø24/13		 M12		 Ø32	
		PCS		PCS		PCS		PCS		PCS		PCS
		PCS		PCS		PCS		PCS		PCS		PCS

