

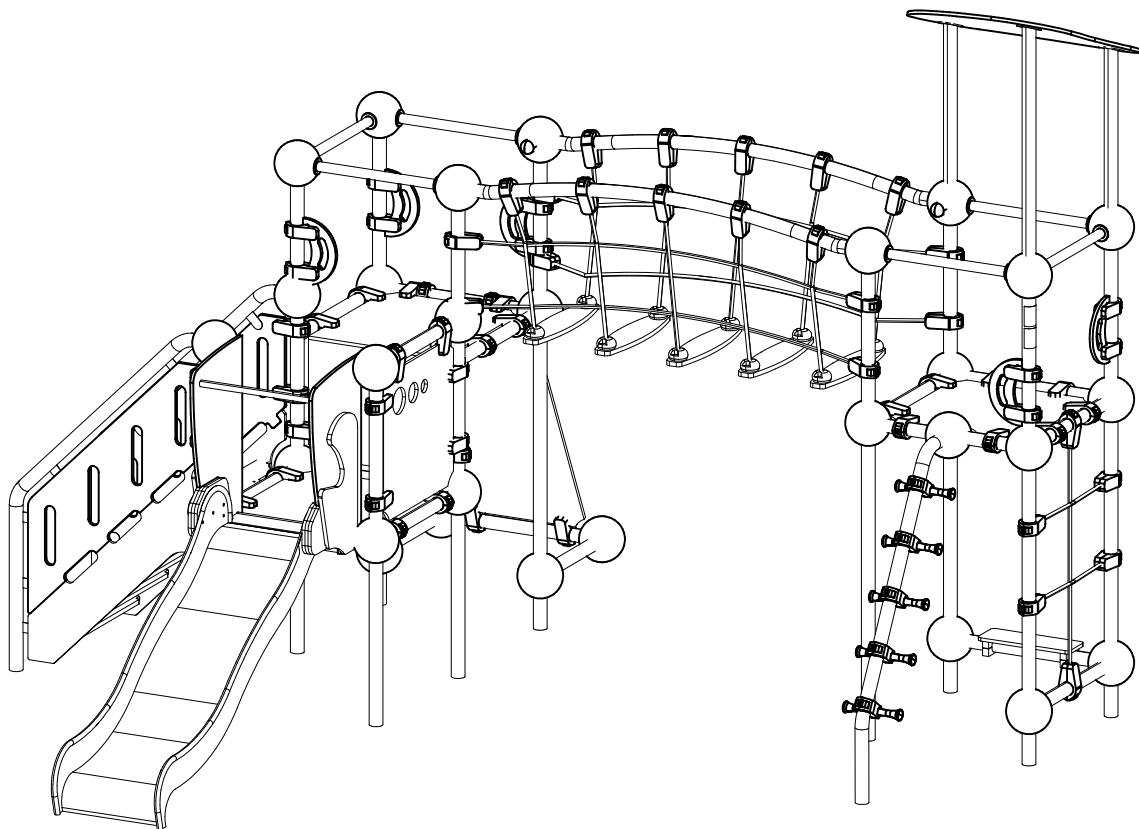
# **LAPPSET®**

## **CLOXX**



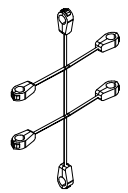

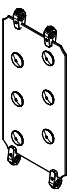

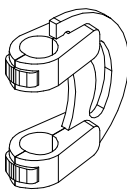

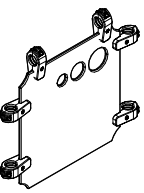

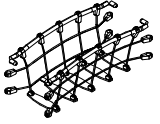

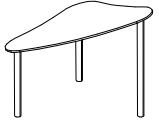

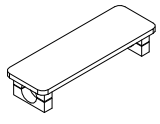

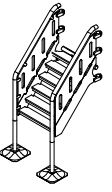

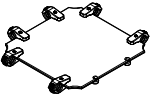

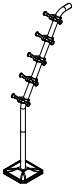

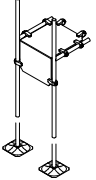

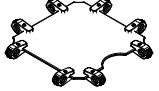

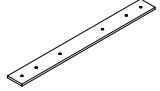
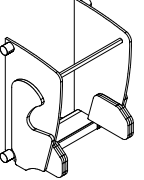

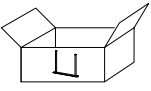
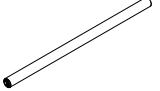
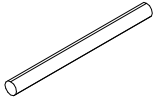
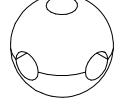

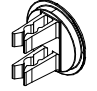
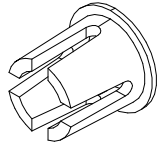
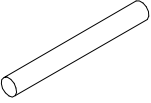



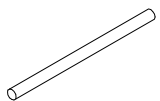
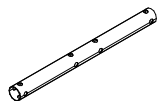
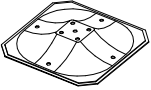
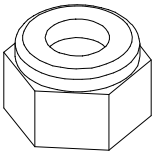
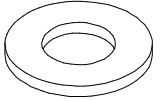
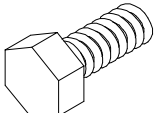
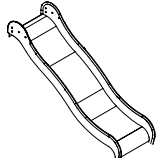
ASENNUSOHJE  
MONTERINGSANSVISNING  
INSTALLATION INSTRUCTION  
AUFBAUANLEITUNG  
NOTICE D'INSTALLATION

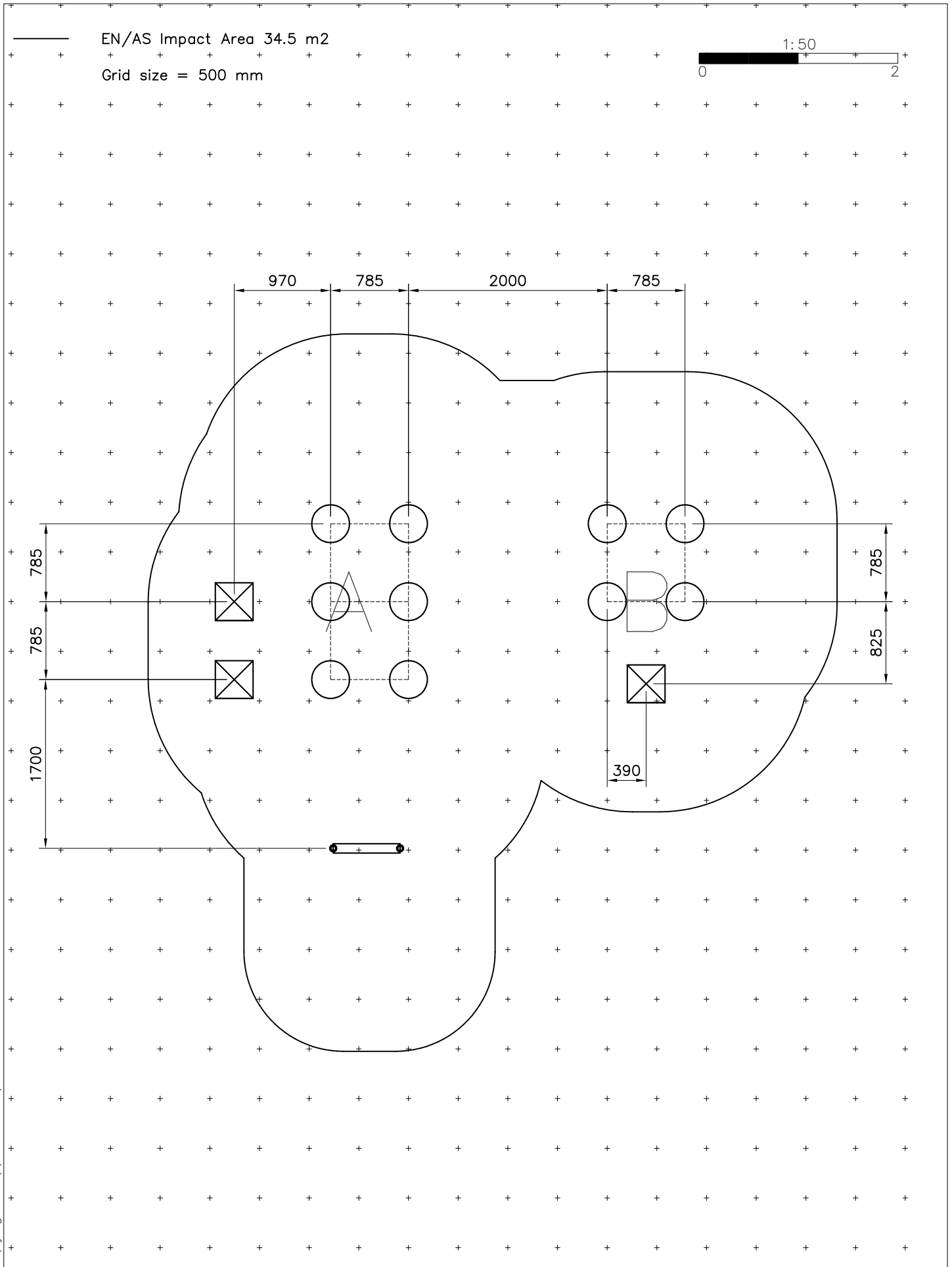
DATE: 24.1.2020

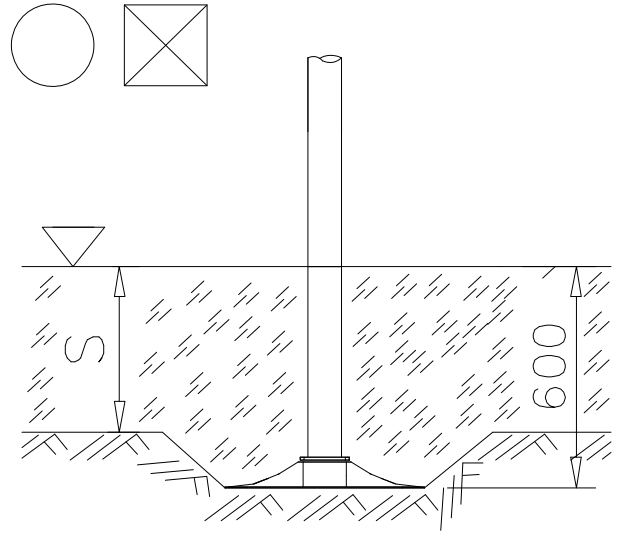
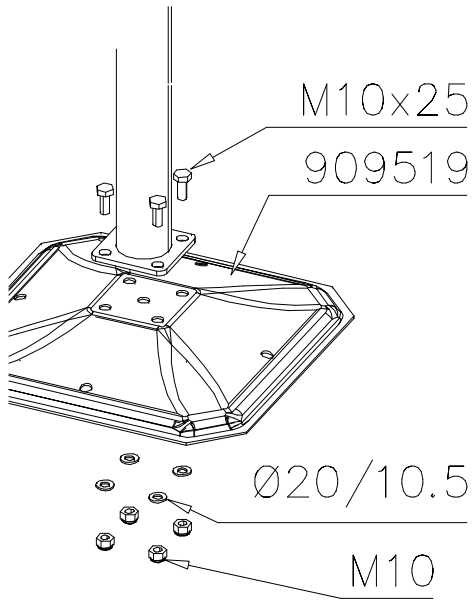
# **220325**



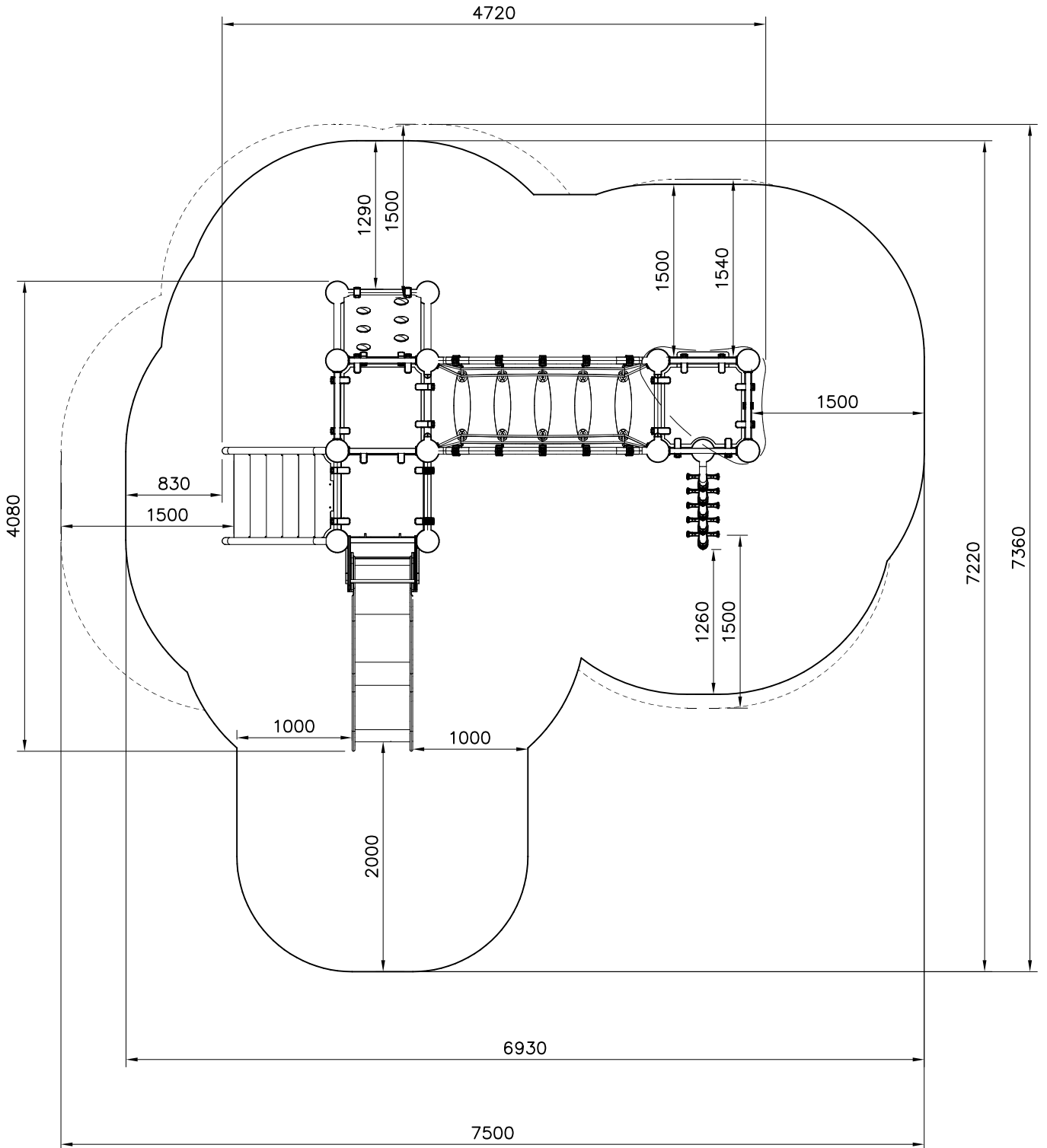
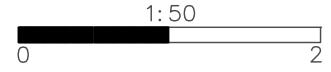
DATE: 24.1.2020

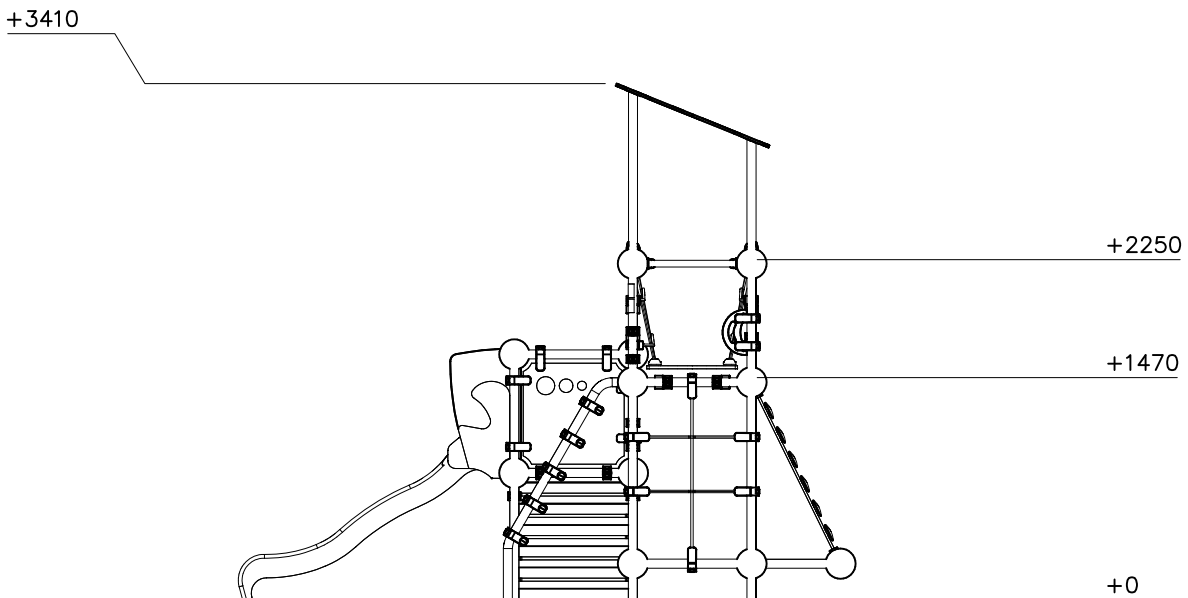
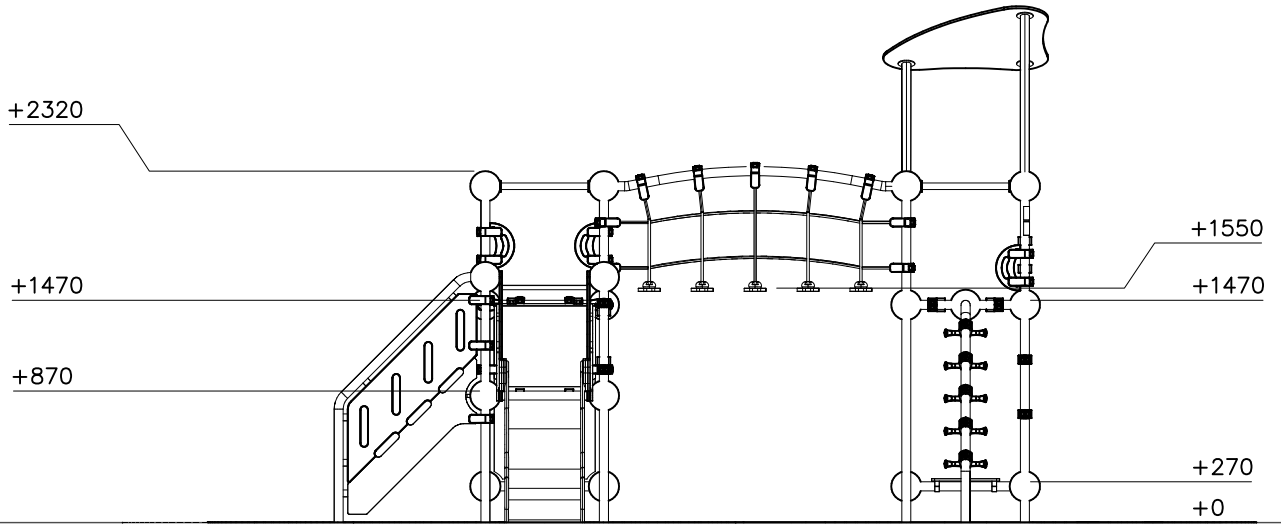
702341  90x50	PCS 1	702633  90x50	PCS 1	703982  	PCS 1	704006  	PCS 1	704159  	PCS 5	704179  	PCS 1
704183  	PCS 1	704199  	PCS 1	704332  	PCS 1	704381  	PCS 1	704432  	PCS 1	704440  	PCS 1
704676  	PCS 1	704678  	PCS 1	707133  10x80x745	PCS 1	708858  	PCS 1	709045 	PCS 1	901868  Ø34x598	PCS 2
902022  L 710	PCS 10	902134  	PCS 30	902157  60x60x2	PCS 74	904100  Ø60/40	PCS 12	904414  L 515	PCS 2	904455  L 2737	PCS 5
904456  L 2737	PCS 1	904505  L 2137	PCS 2	904819  Ø44.5x710	PCS 6	904834  L 710	PCS 1	909519  380x380	PCS 8	909637  M10	PCS 32
909638  Ø20/10.5	PCS 64	909639  M10x25	PCS 32	909708  +870	PCS 1		PCS		PCS		PCS
	PCS		PCS		PCS		PCS		PCS		PCS

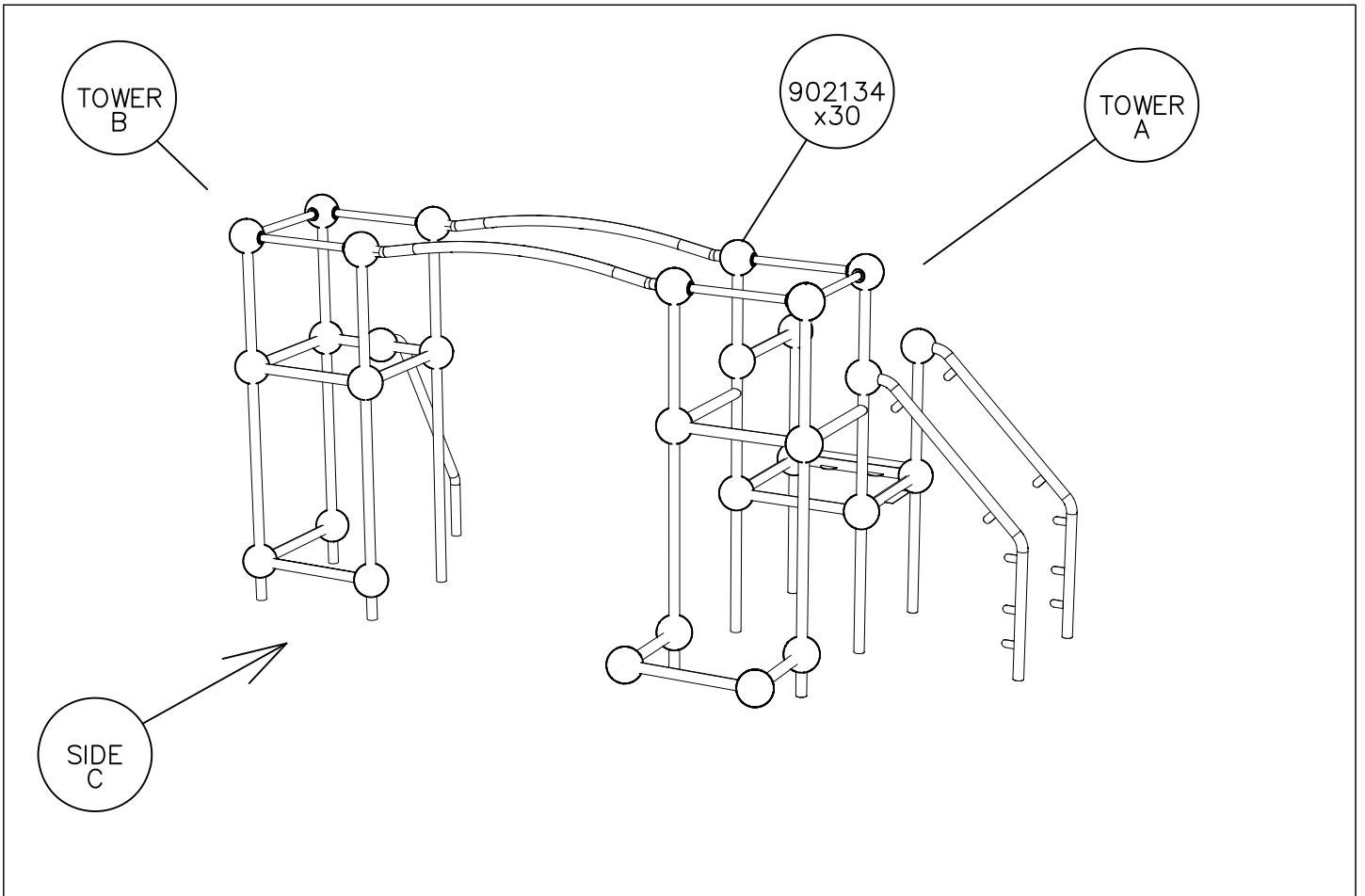
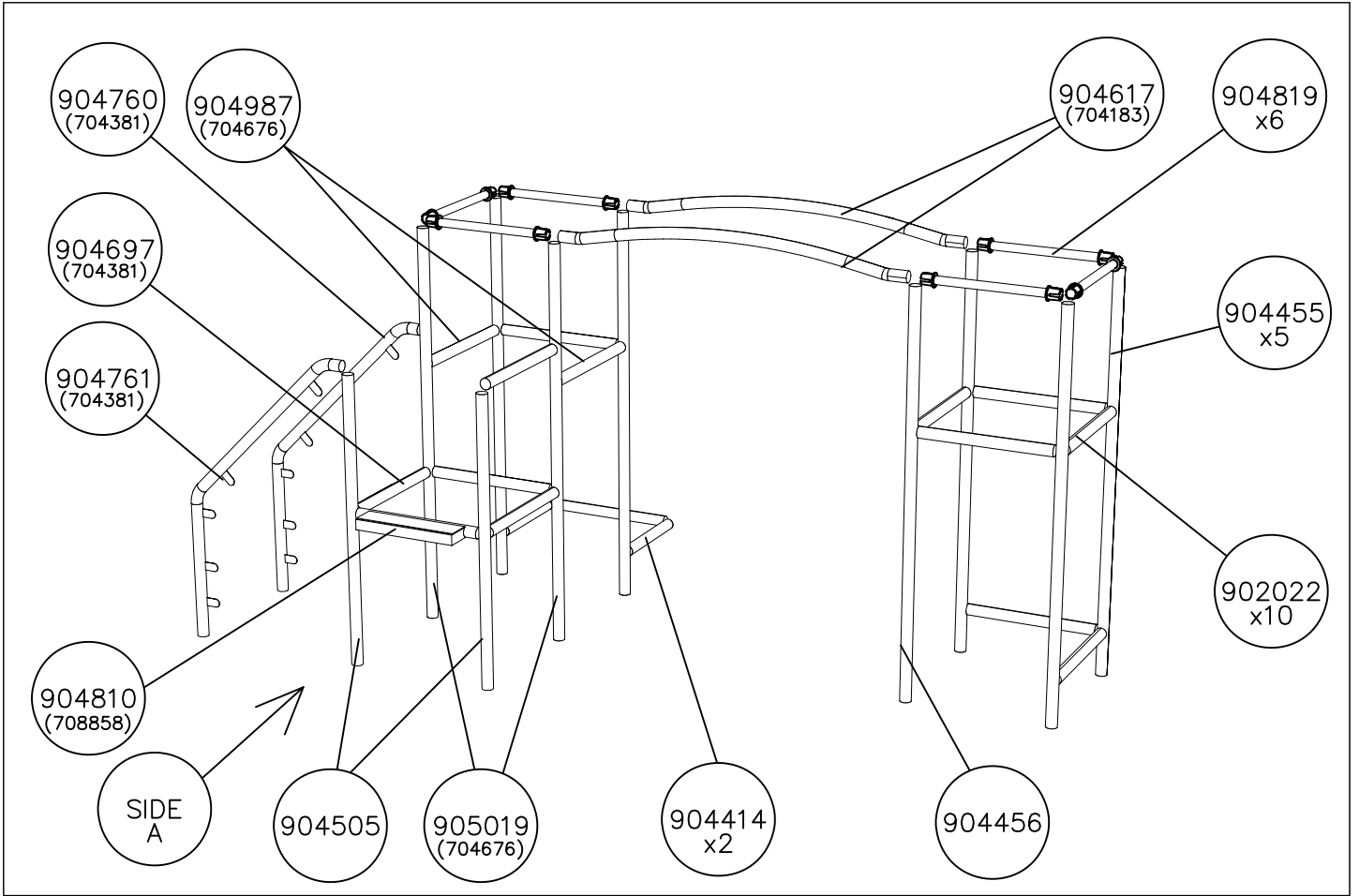


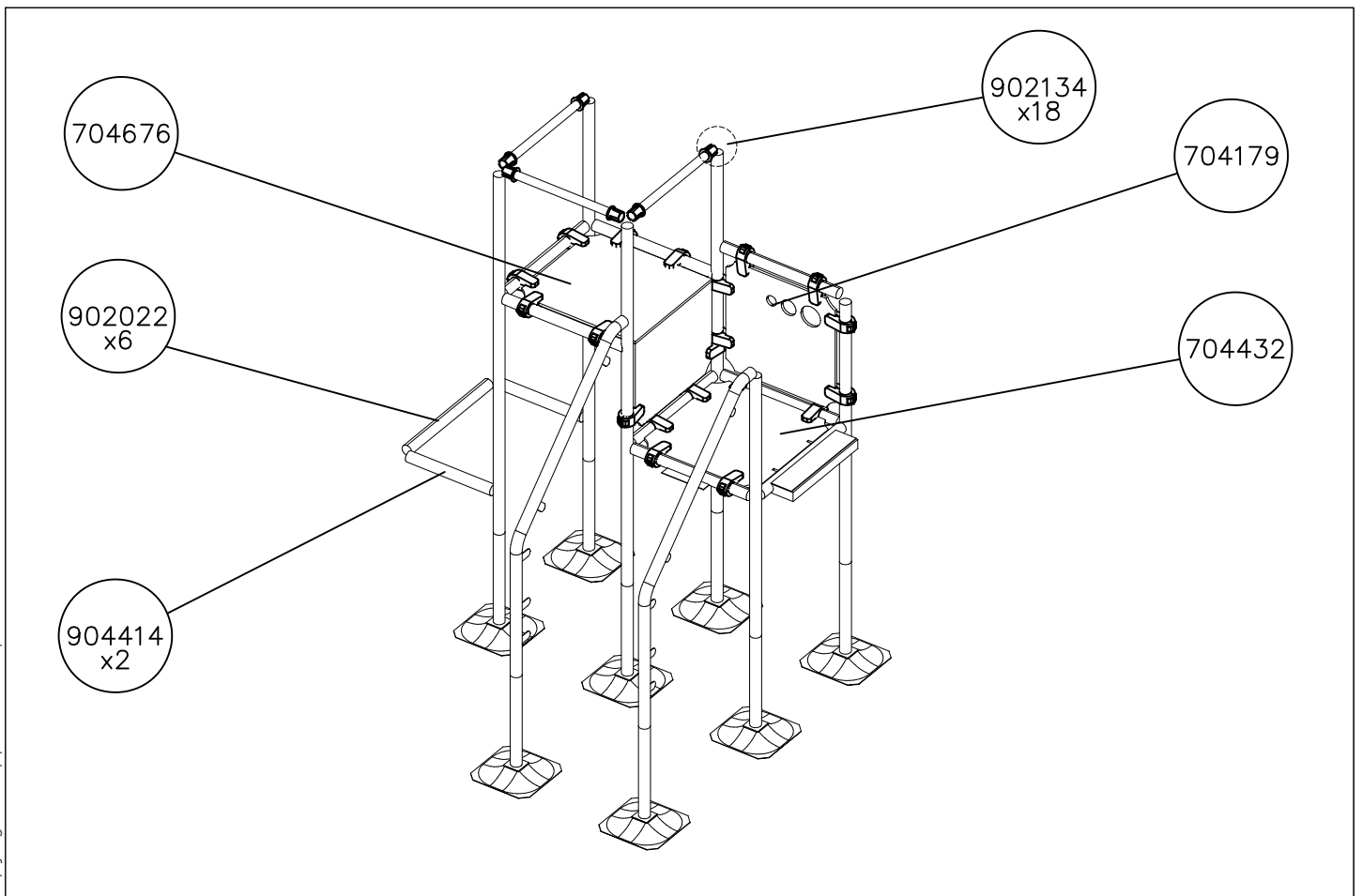
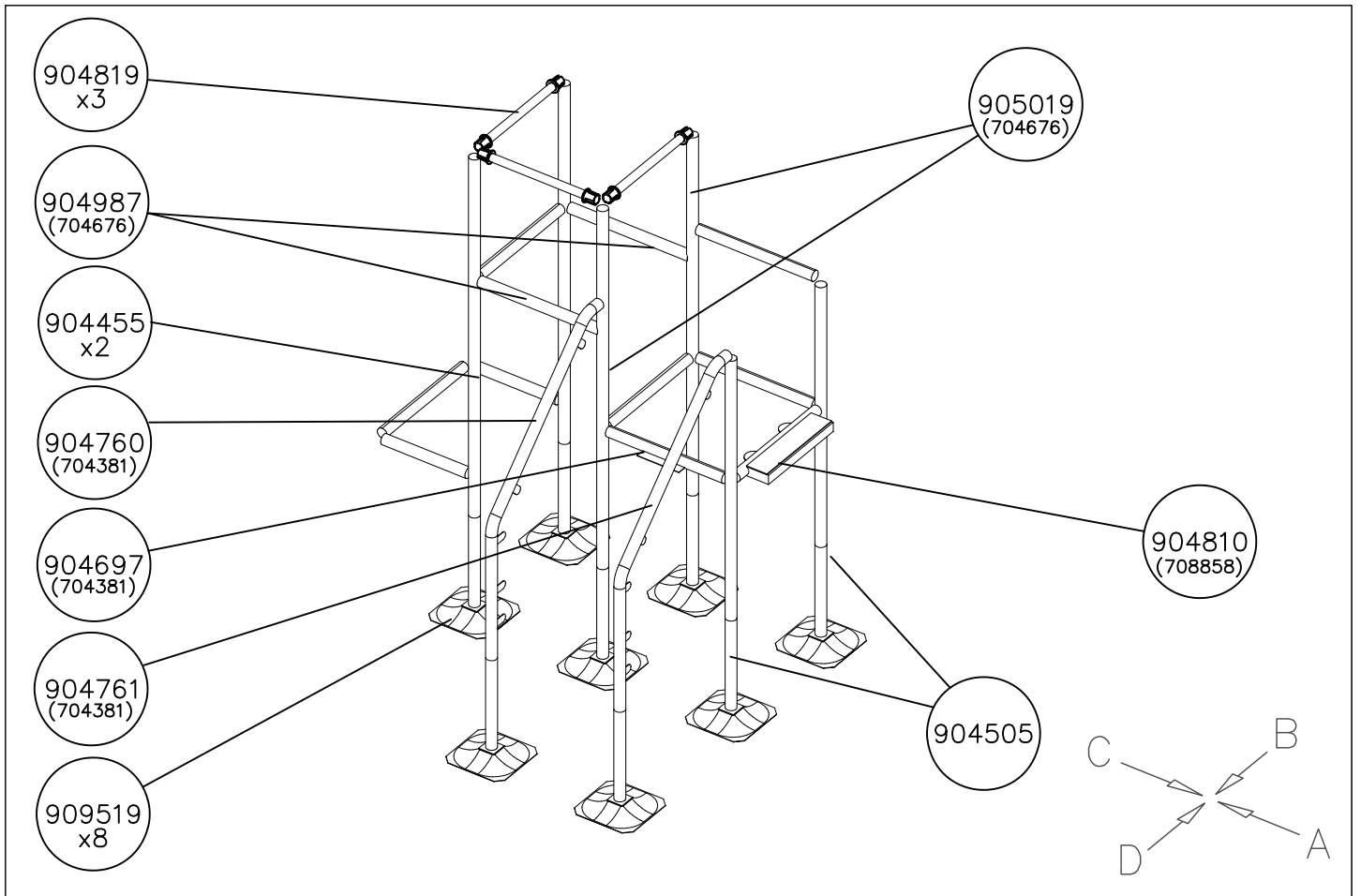


— EN/AS Impact Area 34.5 m<sup>2</sup>  
- - - Falling Space 37.6 m<sup>2</sup>  
Max Falling Height 1550 mm







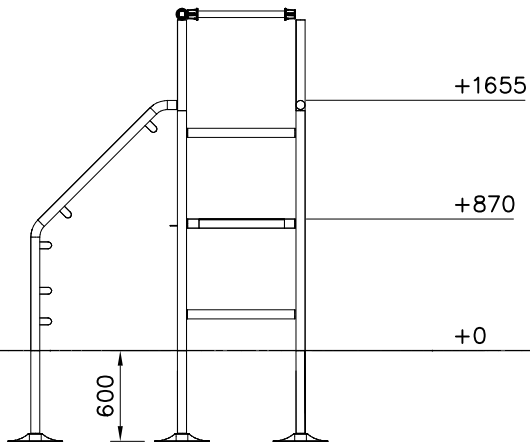




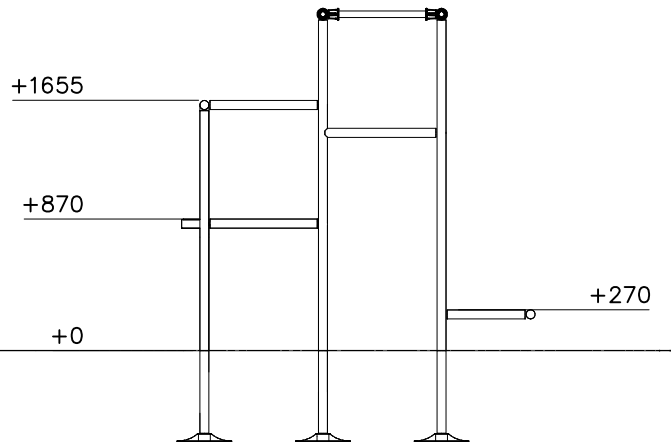
DATE: 24.1.2020

1:50

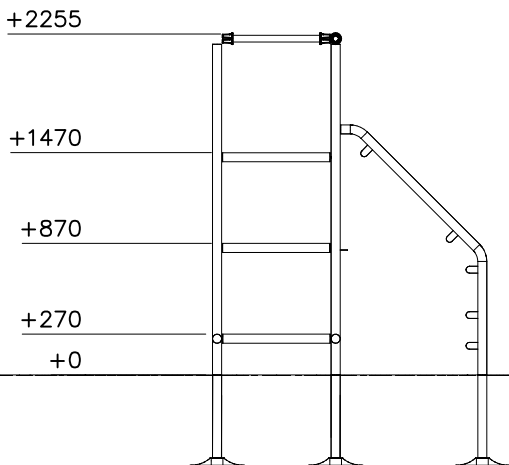
(A)



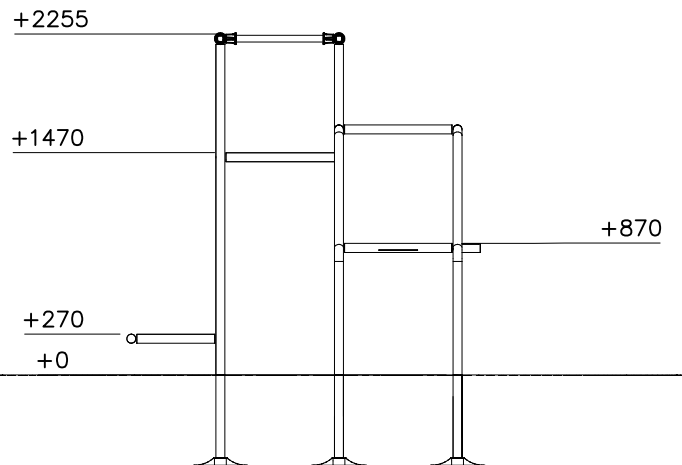
(B)

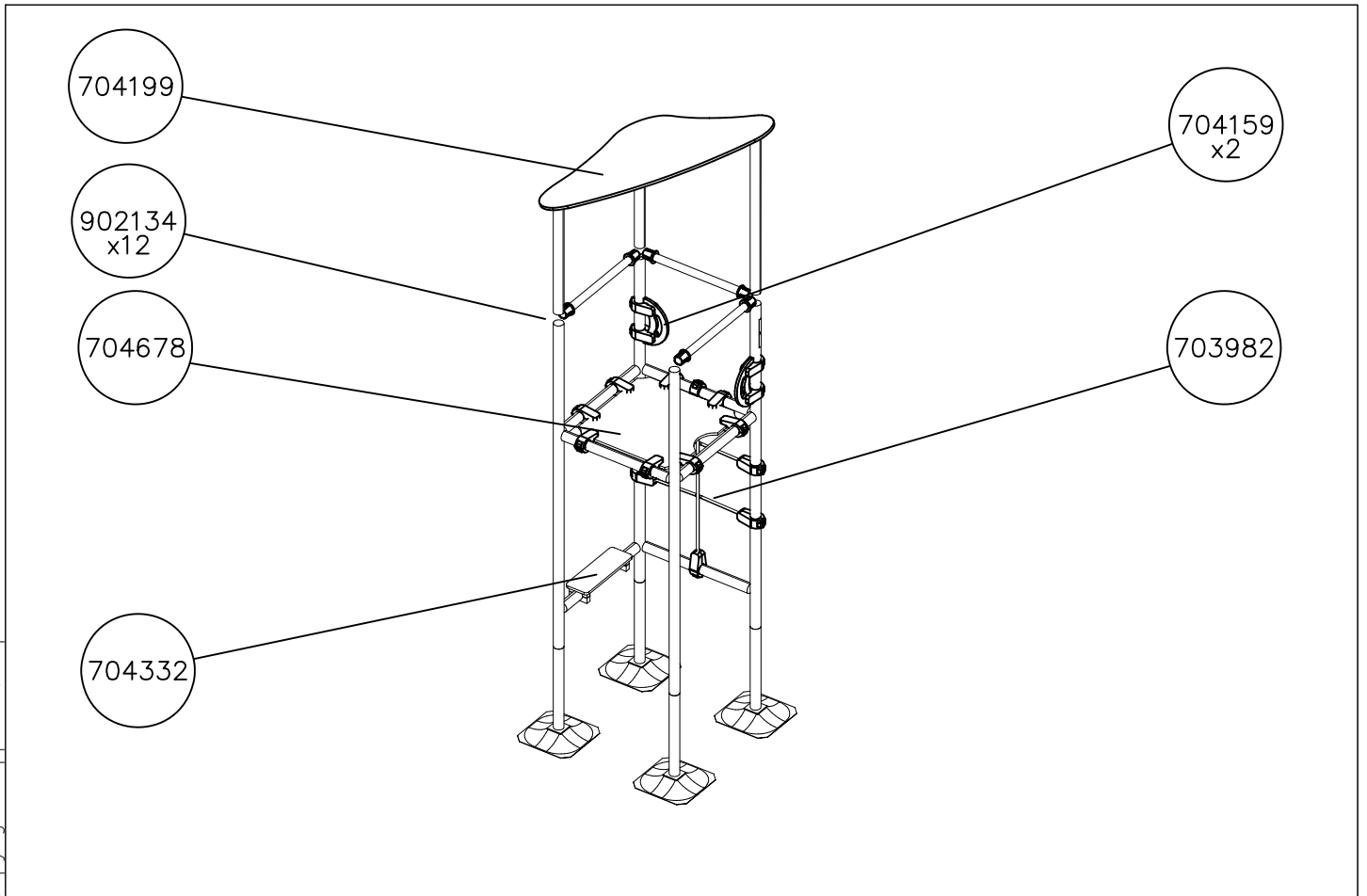
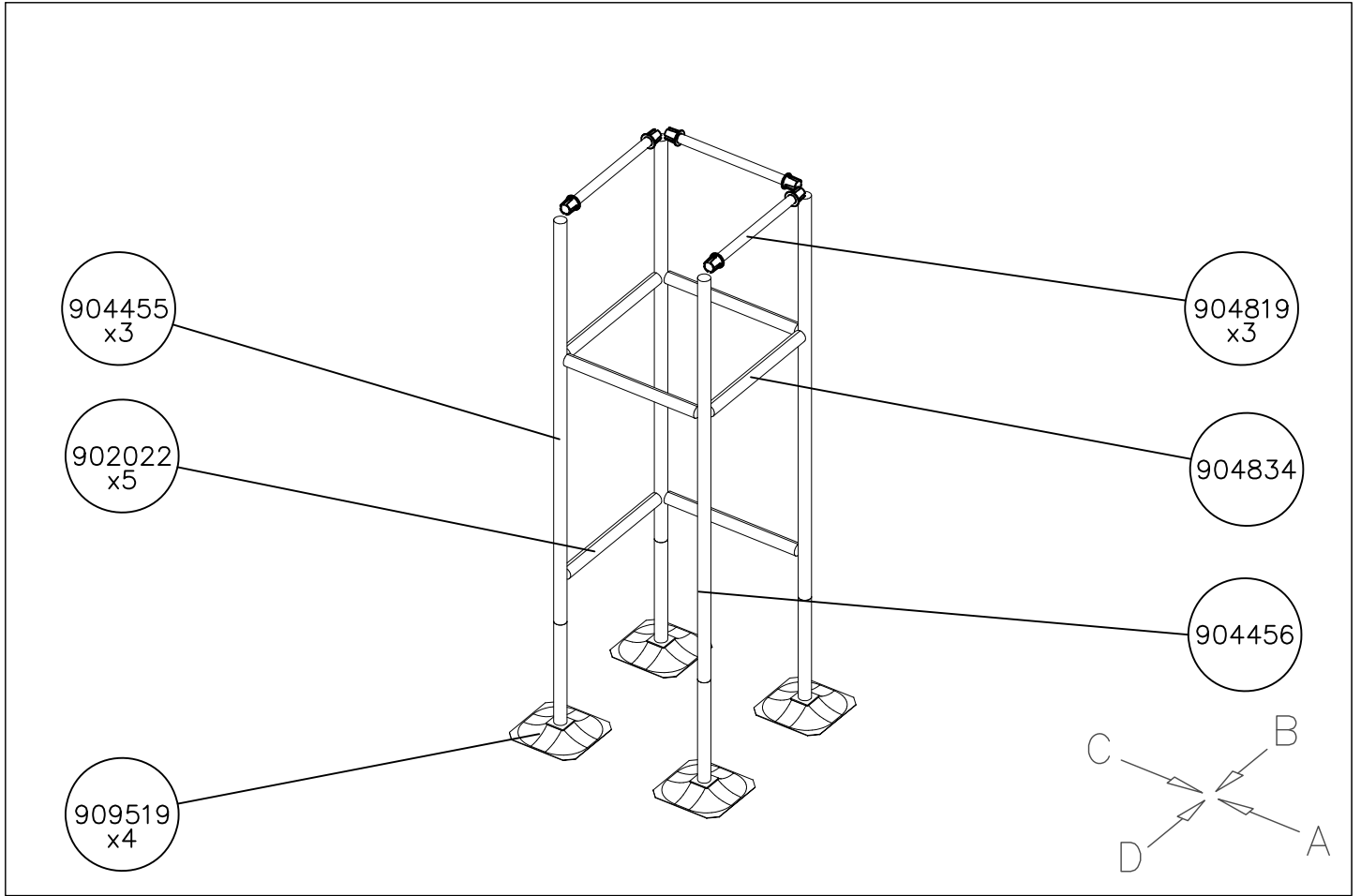


(C)



(D)

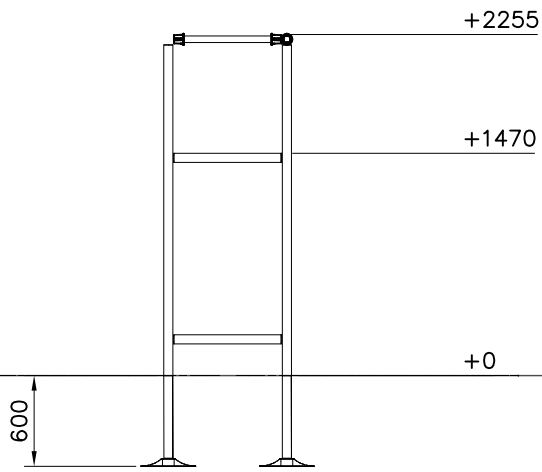




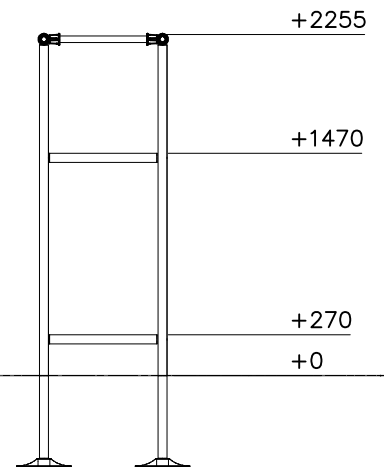
DATE: 24.1.2020

1:50

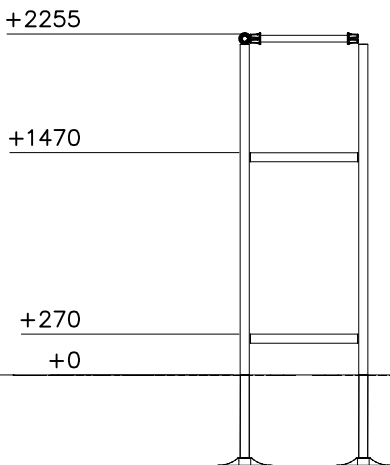
A



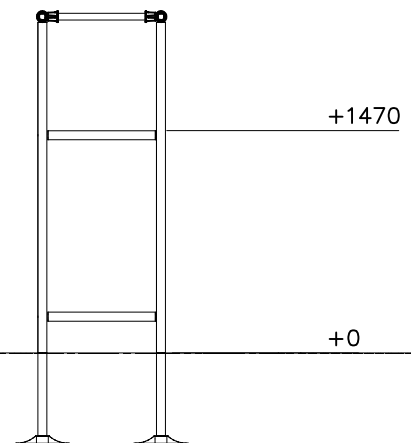
B

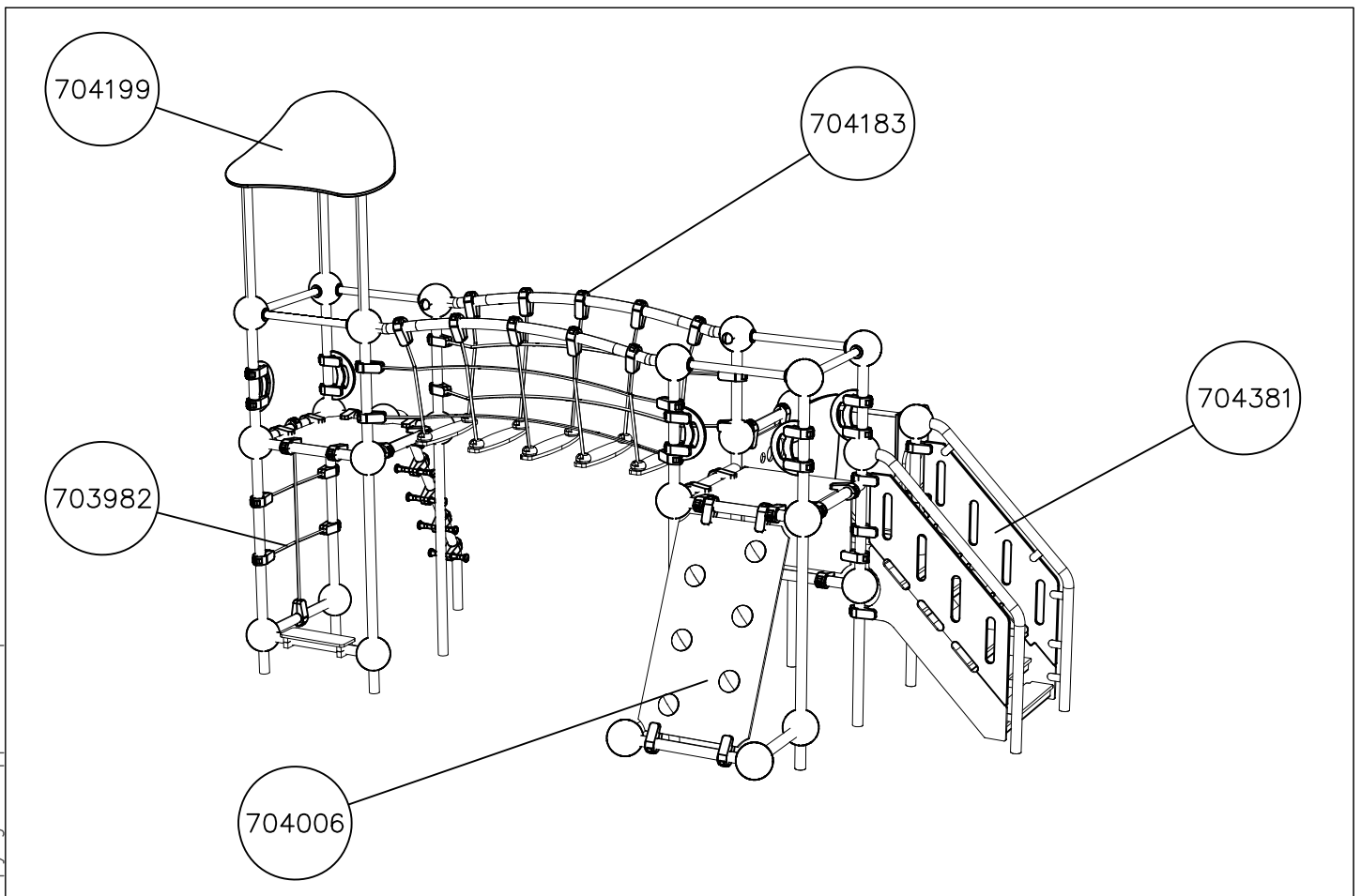
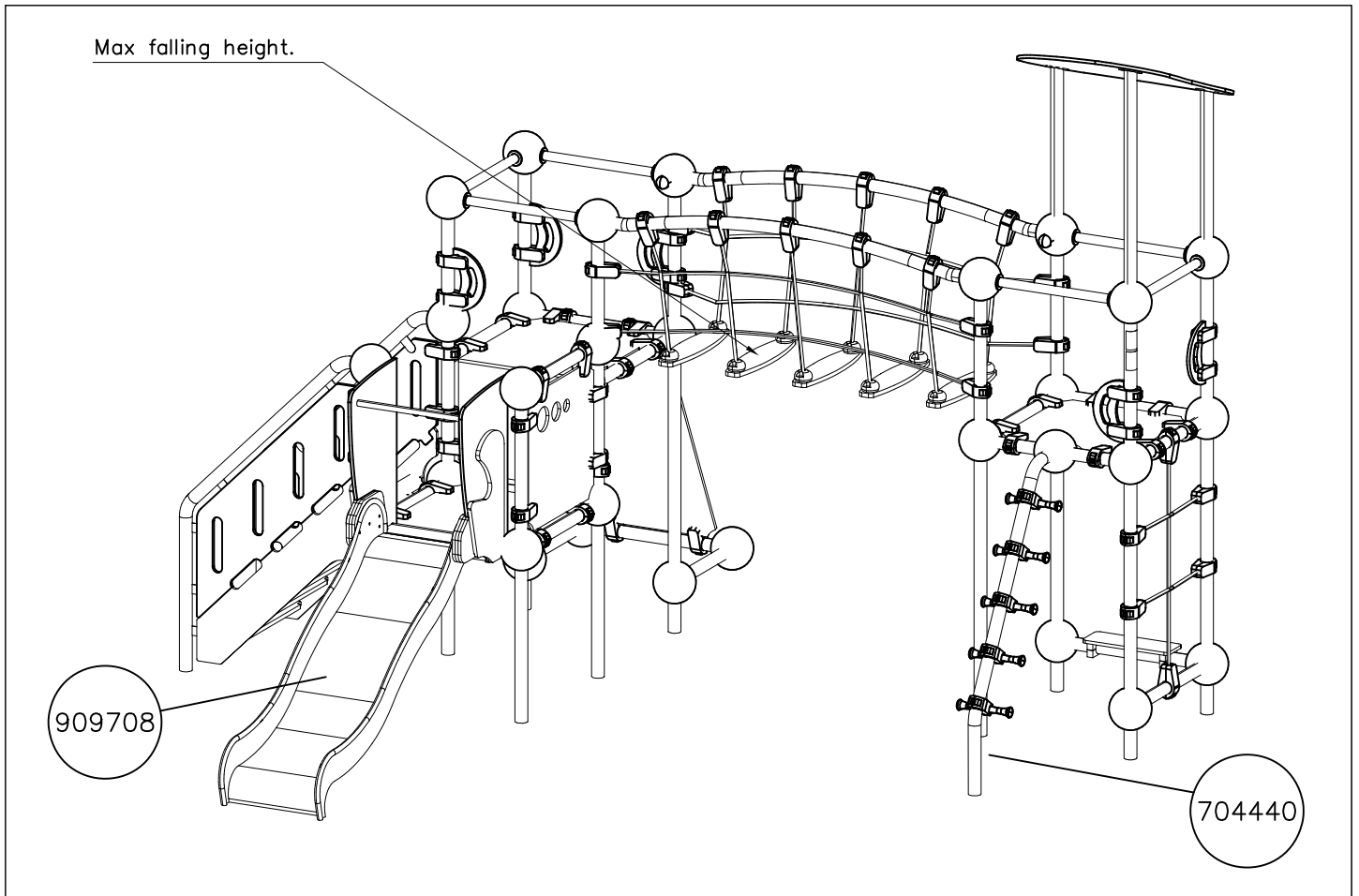


C



D



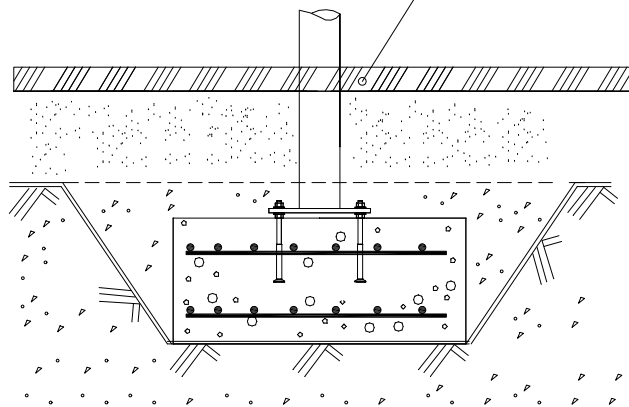


												
<p><b><math>h &lt; 600</math></b></p> <p>Without movement and therefore without Impact Area</p>	<p>Totally hard surfaces.</p> <p>Note. Lappset does <u>not recommend</u> totally hard surfaces at all.</p>	<p>E.g. concrete or asphalt</p> 										
<p><b><math>h &lt; 600</math></b></p> <p>With movement e.g. rocking</p>	<p>Materials with very limited impact attenuating properties.</p>	<p>E.g. wood</p> 										
<p><b><math>h &lt; 1000</math></b></p>	<p>Materials with significant impact attenuating properties.</p>	<p>fine gravel 0–8 mm</p>  <p>grass</p>  <p>unsorted sand</p> 										
<p><b><math>h &lt; 3000</math></b></p>	<p>Loose fill material</p> <p>E.g. sand/gravel 0,25...8 mm D60/D10&lt;3,0 Woodchips 5...30 mm bark 20...80 mm</p>	 <table data-bbox="1024 1691 1332 1792"> <tr> <td><math>\underline{S}</math></td> <td><math>\underline{h}</math></td> </tr> <tr> <td>30 cm</td> <td>&lt; 2,0 m</td> </tr> <tr> <td>40 cm</td> <td>&lt; 3,0 m</td> </tr> </table>	$\underline{S}$	$\underline{h}$	30 cm	< 2,0 m	40 cm	< 3,0 m				
$\underline{S}$	$\underline{h}$											
30 cm	< 2,0 m											
40 cm	< 3,0 m											
	<p>Syntethic granulates</p> <table data-bbox="406 1892 758 2060"> <tr> <td><math>\underline{S}</math></td> <td><math>\underline{h}</math></td> </tr> <tr> <td>40 mm</td> <td>~&gt; 1,2...1,3 m</td> </tr> <tr> <td>50 mm</td> <td>~&gt; 1,5...1,7 m</td> </tr> <tr> <td>60 mm</td> <td>~&gt; 1,8...2,0 m</td> </tr> <tr> <td>70 mm</td> <td>~&gt; 2,1...2,5 m</td> </tr> </table> <p>Note. For accurate values, see manufacturer's instructions.</p>	$\underline{S}$	$\underline{h}$	40 mm	~> 1,2...1,3 m	50 mm	~> 1,5...1,7 m	60 mm	~> 1,8...2,0 m	70 mm	~> 2,1...2,5 m	
$\underline{S}$	$\underline{h}$											
40 mm	~> 1,2...1,3 m											
50 mm	~> 1,5...1,7 m											
60 mm	~> 1,8...2,0 m											
70 mm	~> 2,1...2,5 m											

REMOVE SAFETY SURFACE/SAND/GRAVEL  
TO CHECK FOUNDATION



REMOVE SAFETY SURFACE/SAND/GRAVEL  
TO CHECK FOUNDATION



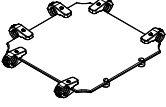
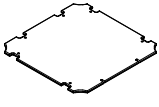
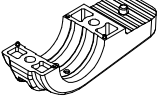
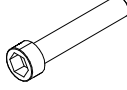
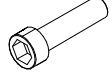
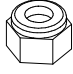
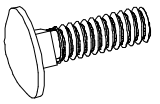
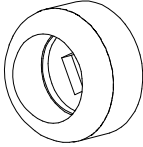
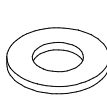
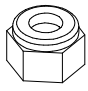
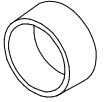
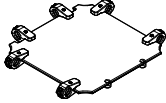
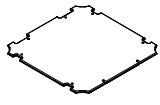
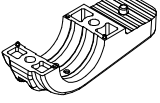
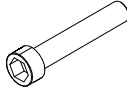
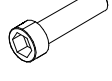
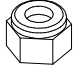
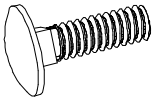
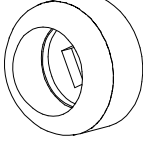
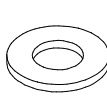
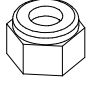
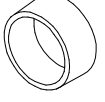
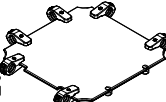
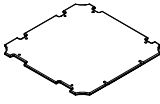
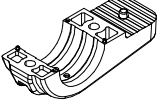
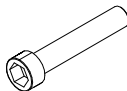
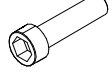
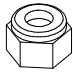
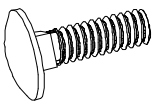
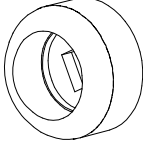
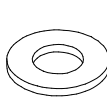
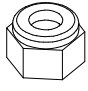
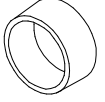
# LAPPSET®

## FLOOR (SLIDE)

# CLOXX

DATE: 3.10.2013

1(3)

○ 704432 	○ 704038 	PCS 1	○ 902124  150x50x50	PCS 12	○ 902232  M10x55	PCS 6	○ 902233  M10x30	PCS 6	○ 980161  M10	PCS 12		PCS
		PCS	○ 909109  M12x40	PCS 2	○ 905090  Ø45	PCS 2	○ 980154  Ø24/13	PCS 2	○ 909248  M12	PCS 2	○ 905115  Ø32	PCS 2
		PCS		PCS		PCS		PCS		PCS		PCS
○ 704447 	○ 704446 	PCS 1	○ 902124  150x50x50	PCS 12	○ 902232  M10x55	PCS 6	○ 902233  M10x30	PCS 6	○ 980161  M10	PCS 12		PCS
		PCS	○ 909109  M12x40	PCS 2	○ 905090  Ø45	PCS 2	○ 980154  Ø24/13	PCS 2	○ 909248  M12	PCS 2	○ 905115  Ø32	PCS 2
		PCS		PCS		PCS		PCS		PCS		PCS
○ 704666 	○ 704667 	PCS 1	○ 902124  150x50x50	PCS 12	○ 902232  M10x55	PCS 6	○ 902233  M10x30	PCS 6	○ 980161  M10	PCS 12		PCS
		PCS	○ 909109  M12x40	PCS 2	○ 905090  Ø45	PCS 2	○ 980154  Ø24/13	PCS 2	○ 909248  M12	PCS 2	○ 905115  Ø32	PCS 2
		PCS		PCS		PCS		PCS		PCS		PCS

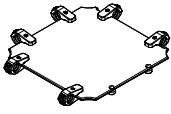
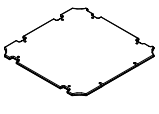
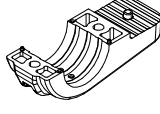
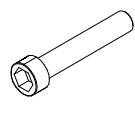
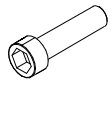
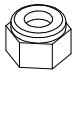
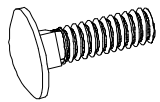
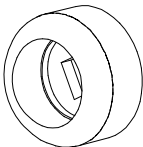
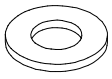
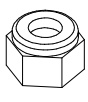
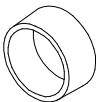
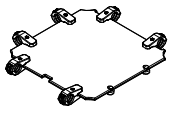
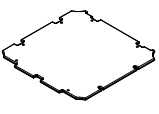
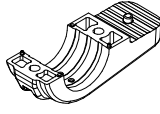
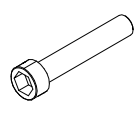
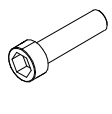
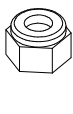
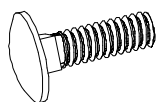
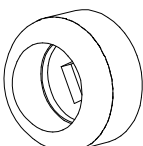
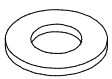
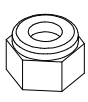
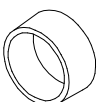
# LAPPSET®

## FLOOR (SLIDE)

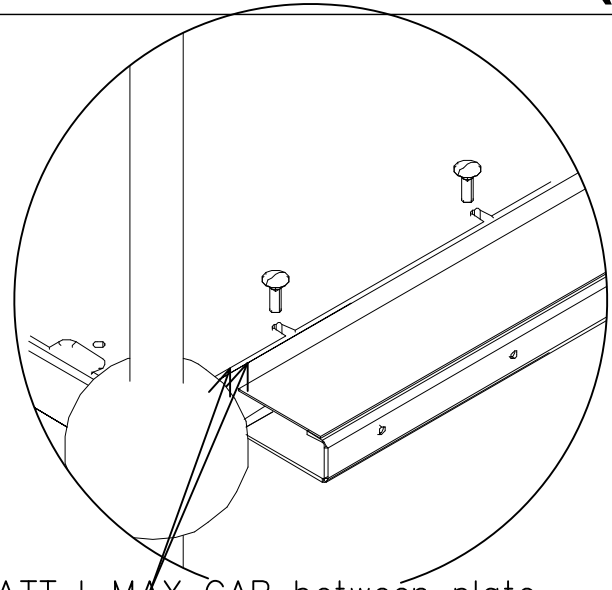
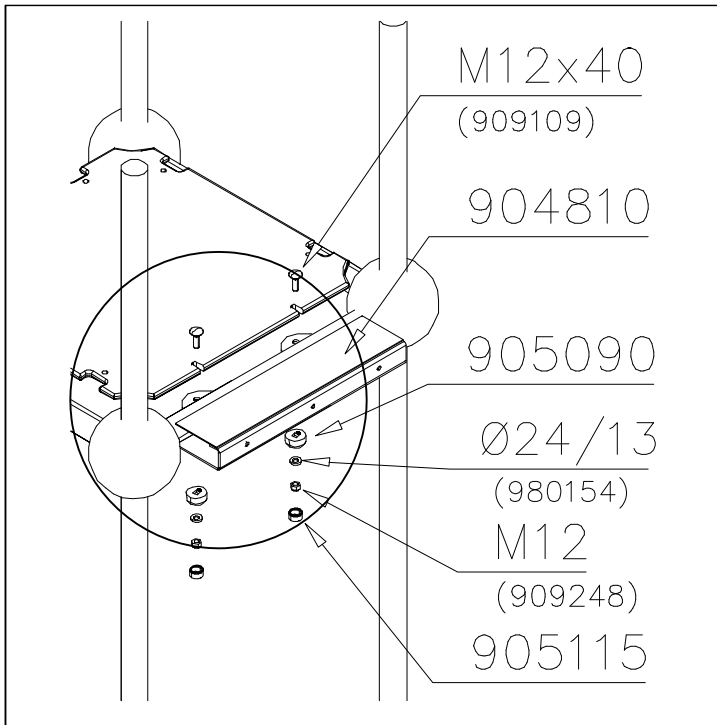
# CLOXX

DATE: 3.10.2013

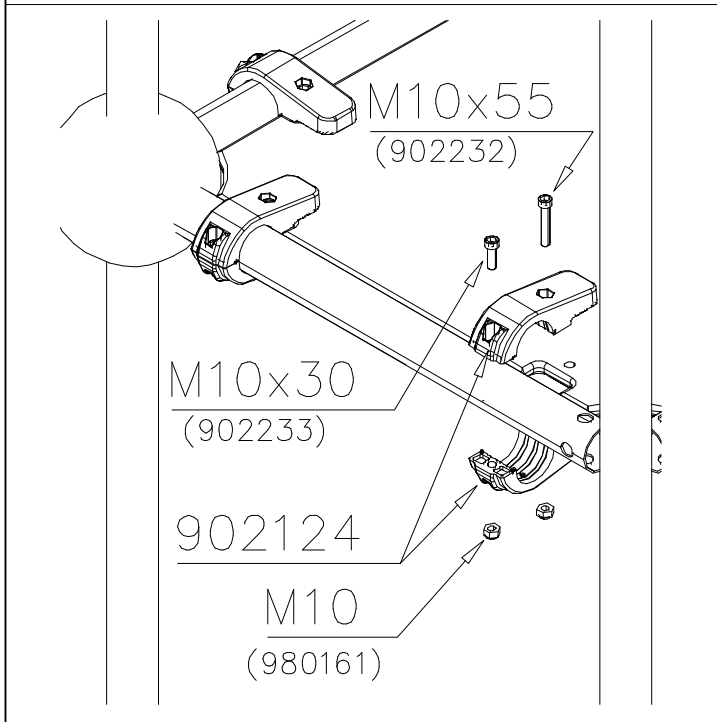
2(3)

○ 704684 	○ 704685 	PCS 1	○ 902124  150x50x50	PCS 12	○ 902232  M10x55	PCS 6	○ 902233  M10x30	PCS 6	○ 980161  M10	PCS 12		PCS
		PCS	○ 909109  M12x40	PCS 2	○ 905090  Ø45	PCS 2	○ 980154  Ø24/13	PCS 2	○ 909248  M12	PCS 2	○ 905115  Ø32	PCS 2
		PCS		PCS		PCS		PCS		PCS		PCS
○ 704692 	○ 704693 	PCS 1	○ 902124  150x50x50	PCS 12	○ 902232  M10x55	PCS 6	○ 902233  M10x30	PCS 6	○ 980161  M10	PCS 12		PCS
		PCS	○ 909109  M12x40	PCS 2	○ 905090  Ø45	PCS 2	○ 980154  Ø24/13	PCS 2	○ 909248  M12	PCS 2	○ 905115  Ø32	PCS 2
		PCS		PCS		PCS		PCS		PCS		PCS
		PCS		PCS		PCS		PCS		PCS		PCS
		PCS		PCS		PCS		PCS		PCS		PCS



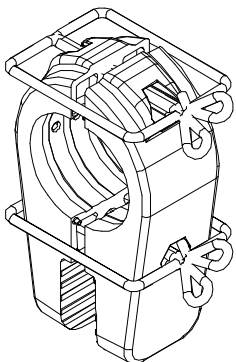
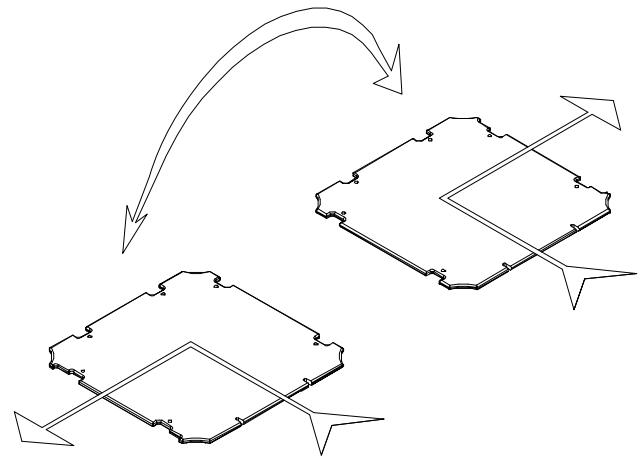


ATT ! MAX GAP between plate  
and tube is 6mm  
 HUOM ! MAKSIMI VÄLI lattialevyllä  
ja putkella on 6mm



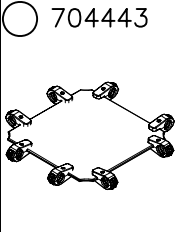
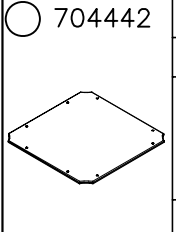
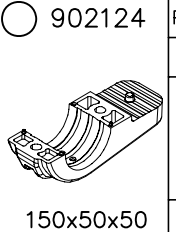
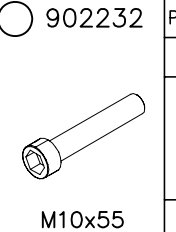
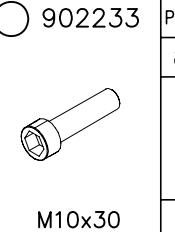
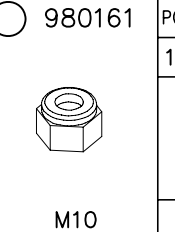
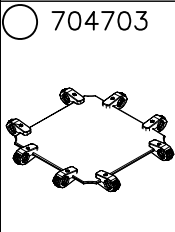
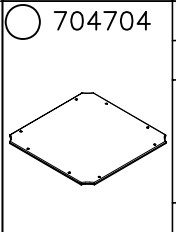
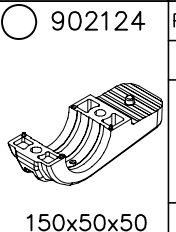
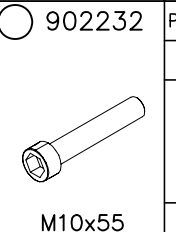
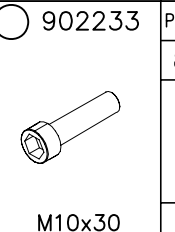
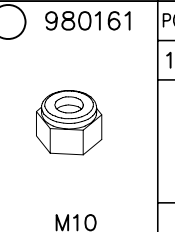
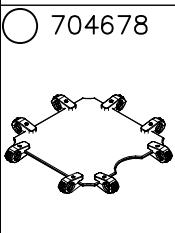
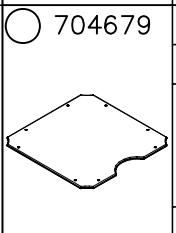
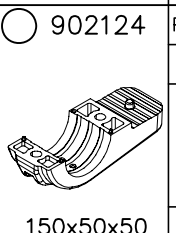
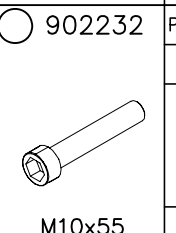
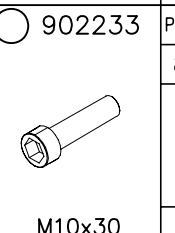
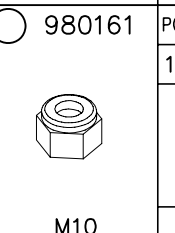
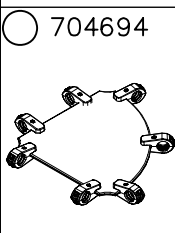
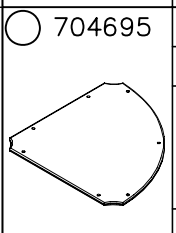
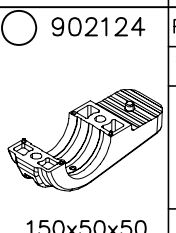
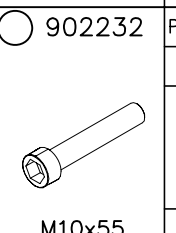
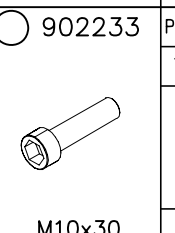
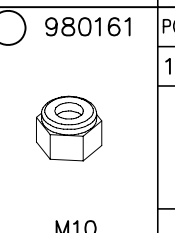
KÄYTÄ TARVITTAESSA SAMAA LEVYÄ  
VASEMALLE TAI OIKEALLE.

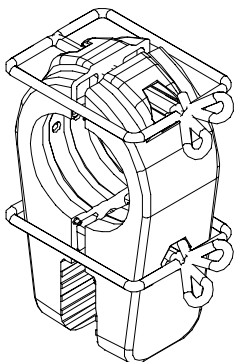
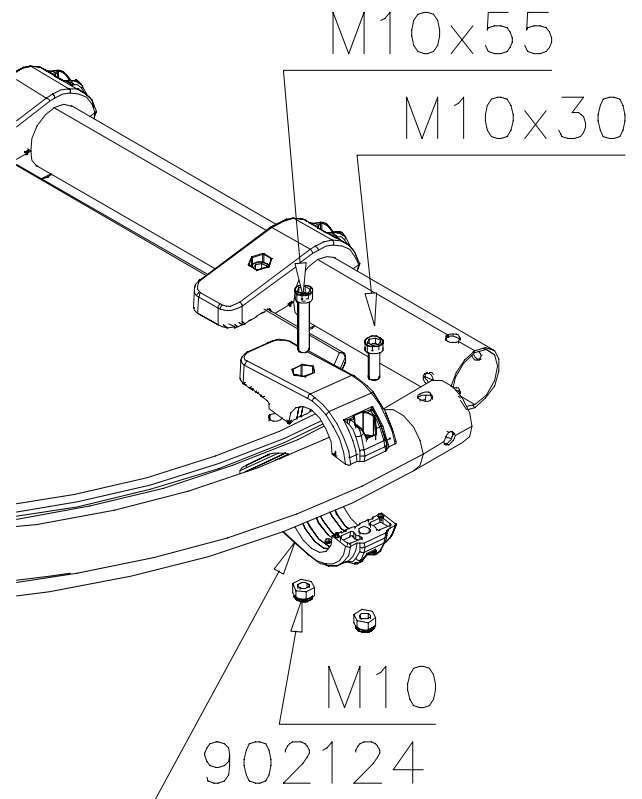
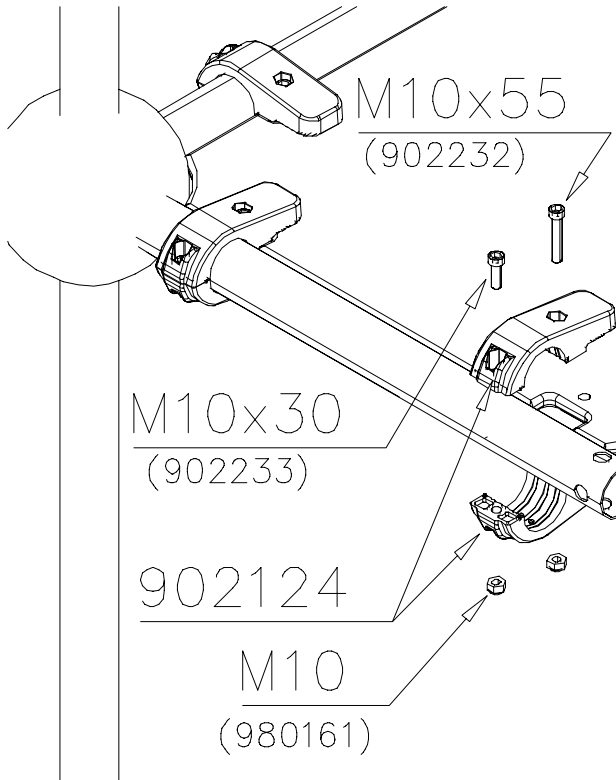
IF NECESSARY USE SAME PLATE LEFT  
OR RIGHT.



NOTE:  
Use a wire marked pairs  
of the same junction.

Huom!  
Käytä langalla merkittyä  
paria samassa liitoksessa.

 <p>○ 704443</p>	 <p>○ 704442</p>	<p>PCS</p> <p>1</p>	 <p>○ 902124</p> <p>150x50x50</p>	<p>PCS</p> <p>16</p>	 <p>○ 902232</p> <p>M10x55</p>	<p>PCS</p> <p>8</p>	 <p>○ 902233</p> <p>M10x30</p>	<p>PCS</p> <p>8</p>	 <p>○ 980161</p> <p>M10</p>	<p>PCS</p> <p>16</p>		<p>PCS</p>
 <p>○ 704703</p>	 <p>○ 704704</p>	<p>PCS</p> <p>1</p>	 <p>○ 902124</p> <p>150x50x50</p>	<p>PCS</p> <p>16</p>	 <p>○ 902232</p> <p>M10x55</p>	<p>PCS</p> <p>8</p>	 <p>○ 902233</p> <p>M10x30</p>	<p>PCS</p> <p>8</p>	 <p>○ 980161</p> <p>M10</p>	<p>PCS</p> <p>16</p>		<p>PCS</p>
 <p>○ 704678</p>	 <p>○ 704679</p>	<p>PCS</p> <p>1</p>	 <p>○ 902124</p> <p>150x50x50</p>	<p>PCS</p> <p>16</p>	 <p>○ 902232</p> <p>M10x55</p>	<p>PCS</p> <p>8</p>	 <p>○ 902233</p> <p>M10x30</p>	<p>PCS</p> <p>8</p>	 <p>○ 980161</p> <p>M10</p>	<p>PCS</p> <p>16</p>		<p>PCS</p>
 <p>○ 704694</p>	 <p>○ 704695</p>	<p>PCS</p> <p>1</p>	 <p>○ 902124</p> <p>150x50x50</p>	<p>PCS</p> <p>14</p>	 <p>○ 902232</p> <p>M10x55</p>	<p>PCS</p> <p>7</p>	 <p>○ 902233</p> <p>M10x30</p>	<p>PCS</p> <p>7</p>	 <p>○ 980161</p> <p>M10</p>	<p>PCS</p> <p>14</p>		<p>PCS</p>
		<p>PCS</p>		<p>PCS</p>		<p>PCS</p>		<p>PCS</p>		<p>PCS</p>		<p>PCS</p>
		<p>PCS</p>		<p>PCS</p>		<p>PCS</p>		<p>PCS</p>		<p>PCS</p>		<p>PCS</p>
		<p>PCS</p>		<p>PCS</p>		<p>PCS</p>		<p>PCS</p>		<p>PCS</p>		<p>PCS</p>
		<p>PCS</p>		<p>PCS</p>		<p>PCS</p>		<p>PCS</p>		<p>PCS</p>		<p>PCS</p>



**NOTE:**

Use a wire marked pairs of the same junction.

**Huom!**

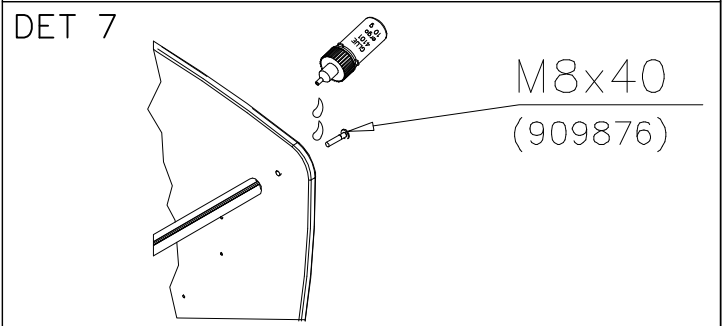
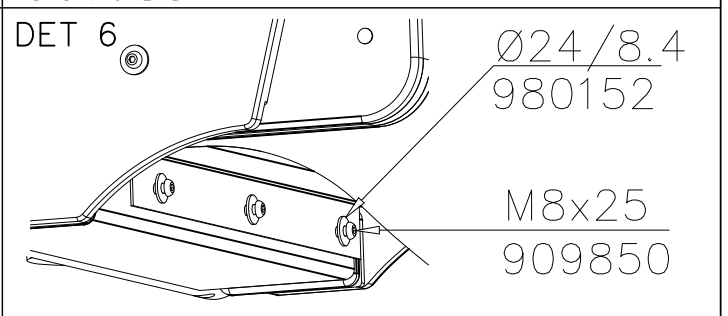
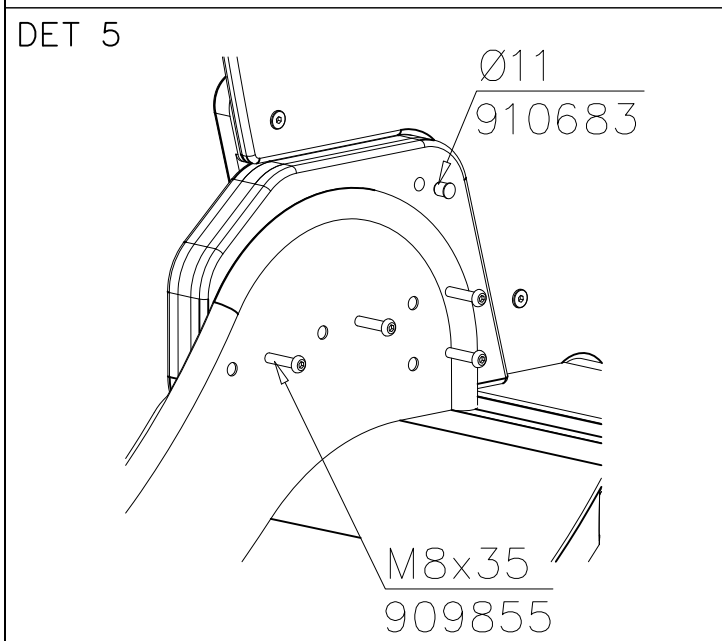
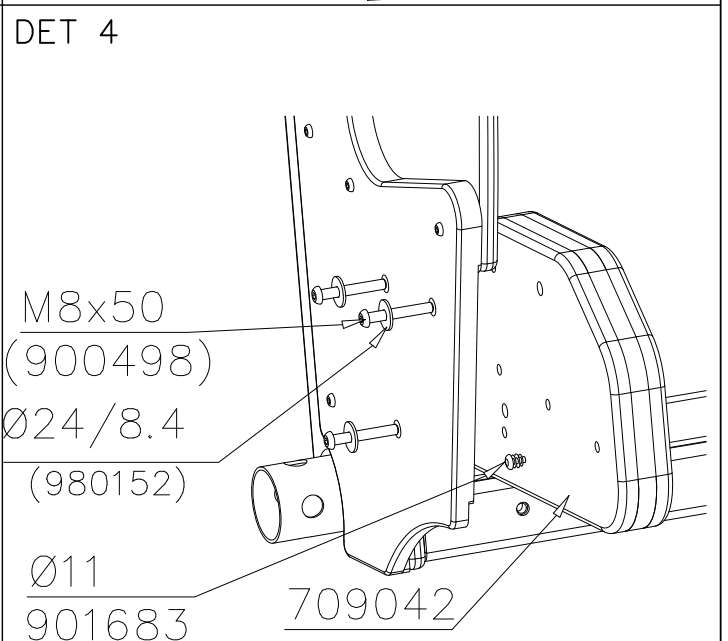
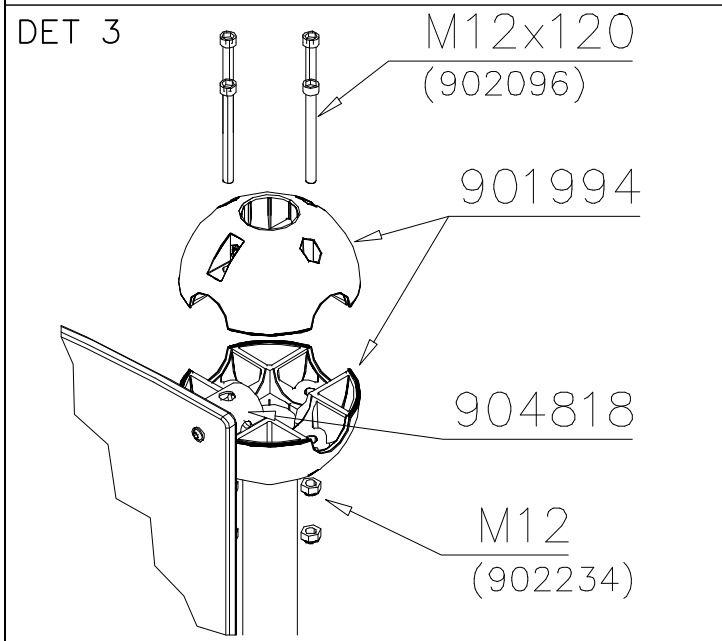
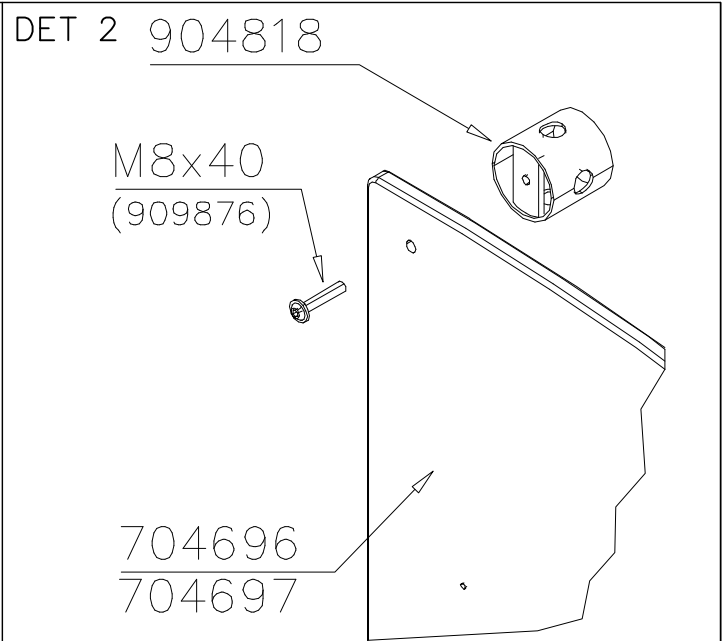
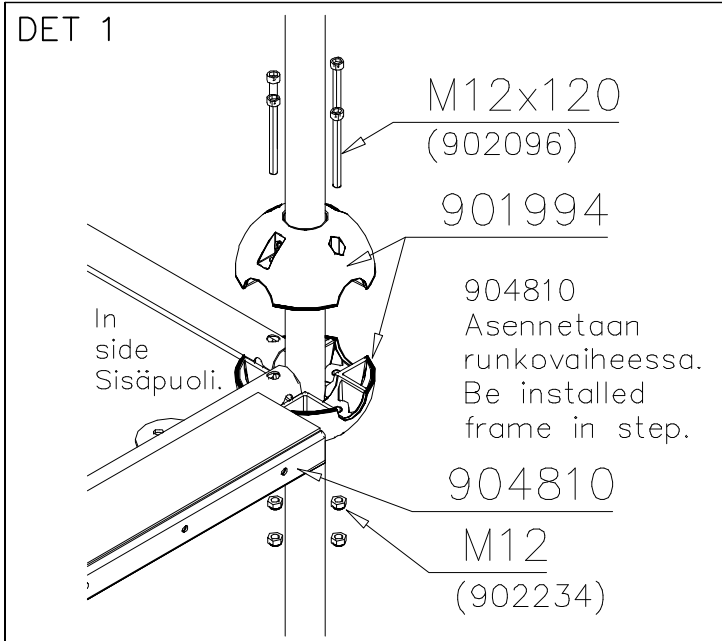
Käytä langalla merkittyjä paria samassa liitoksessa.

Exploded view diagram of a mechanical assembly. The diagram shows various components labeled with circled numbers 1 through 13 and sub-assemblies labeled DET 1 through DET 7. Dimensions are provided for several parts and the overall assembly.

Dimensions shown in the diagram:

- 860 (vertical dimension on the left)
- 784 (vertical dimension on the right)
- 784 (horizontal dimension at the bottom)
- 468 (horizontal dimension at the top right)
- (870-1470-1970-2070) (vertical dimension on the right)

① 704696	PCS	② 704697	PCS
	1		1
③ 904810	PCS	④ 904818	PCS
	1		2
⑤ 904833	PCS	⑥ 909876	PCS
	1		4
Ø30x565		M8x40	
⑦ 980152	PCS	⑧ 900498	PCS
	9		6
Ø24/8.4		M8x50	
⑨ 999561	PCS	⑩ 709042	PCS
	1		2
GLUE 4101 ergo 10 g			
10 g			
		⑪ 909855	PCS
			8
		M8x35	
		⑫ 910683	PCS
			4
		Ø11	
		⑬ 909850	PCS
			3
		M8x25	



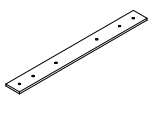
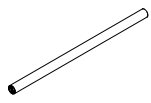

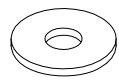
# LAPPSET

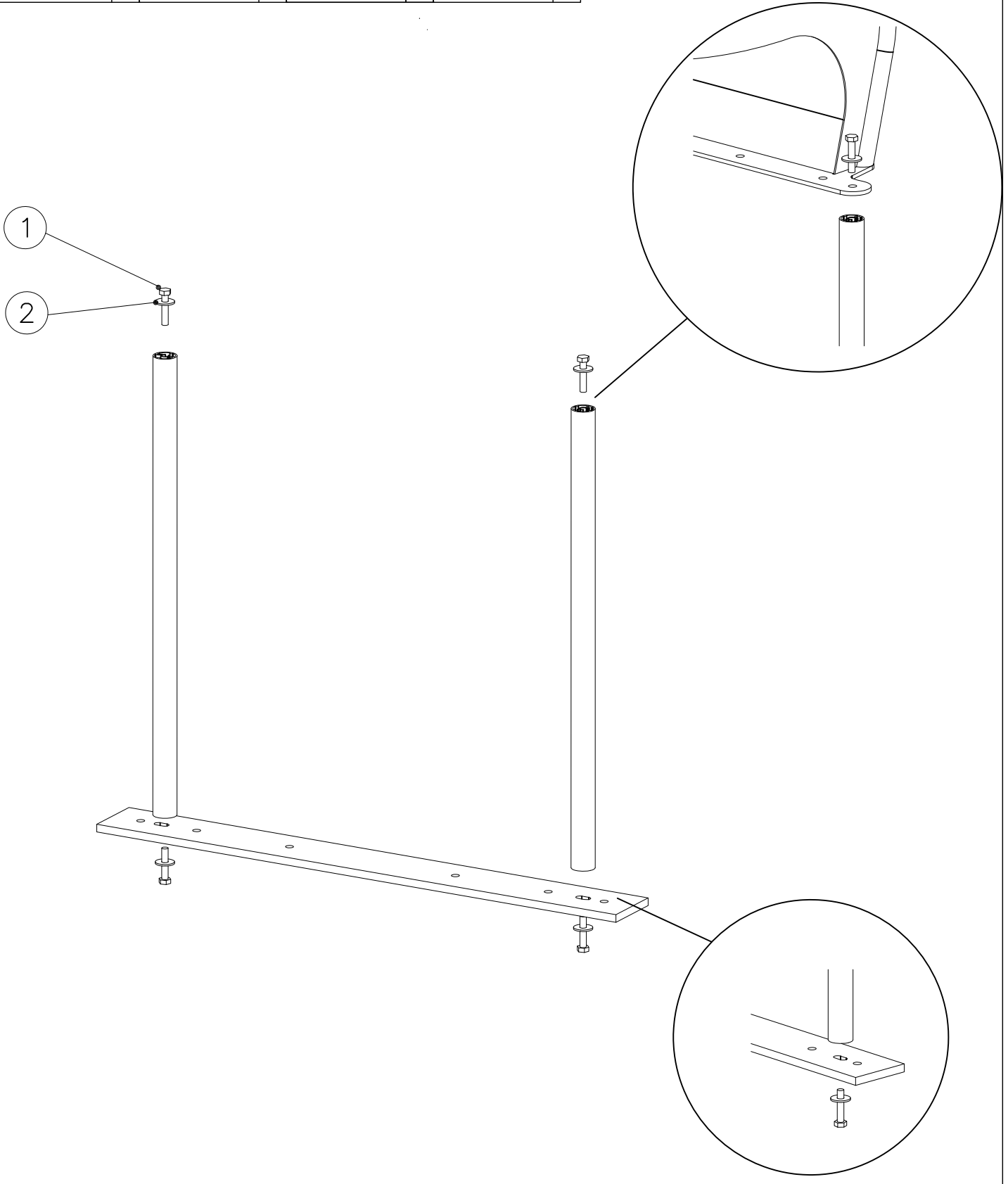
## DEEP FOUNDATION

# SLIDE METAL

DATE: 11.2.2019

1(1)

○ 707133	PCS	○ 901868	PCS	① 909210	PCS	② 905051	PCS
	1		2		4		4
							
10x80x745		Ø30x598		M8x40		Ø24/8.4	



# LAPPSET

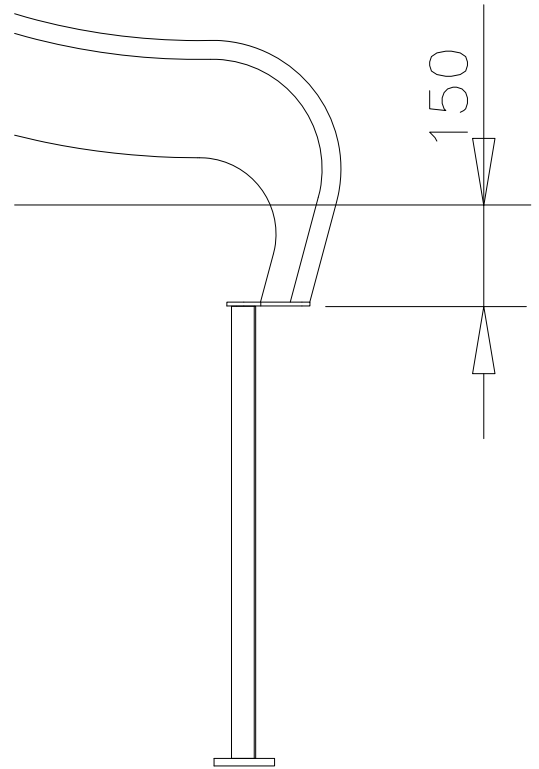
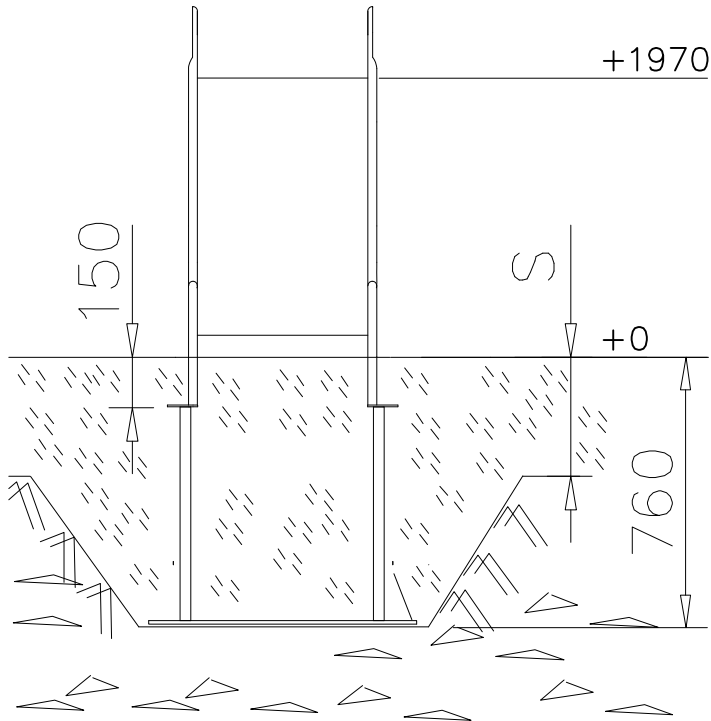
## DEEP FOUNDATION

# SLIDE METAL

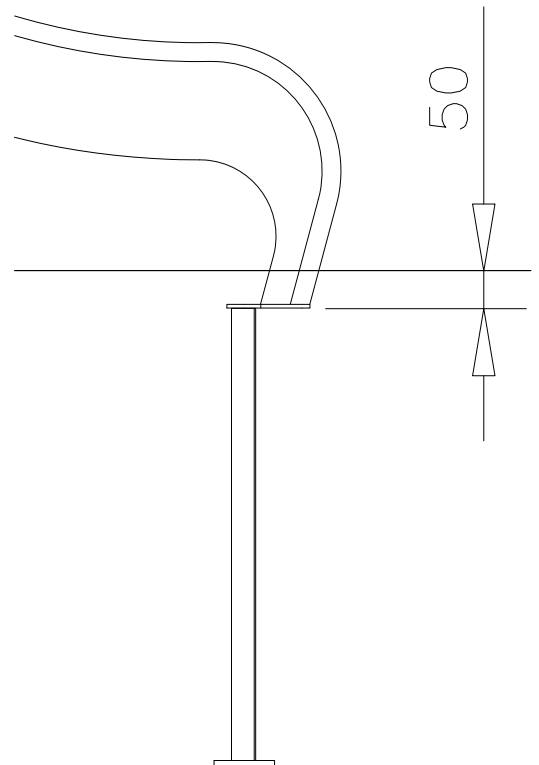
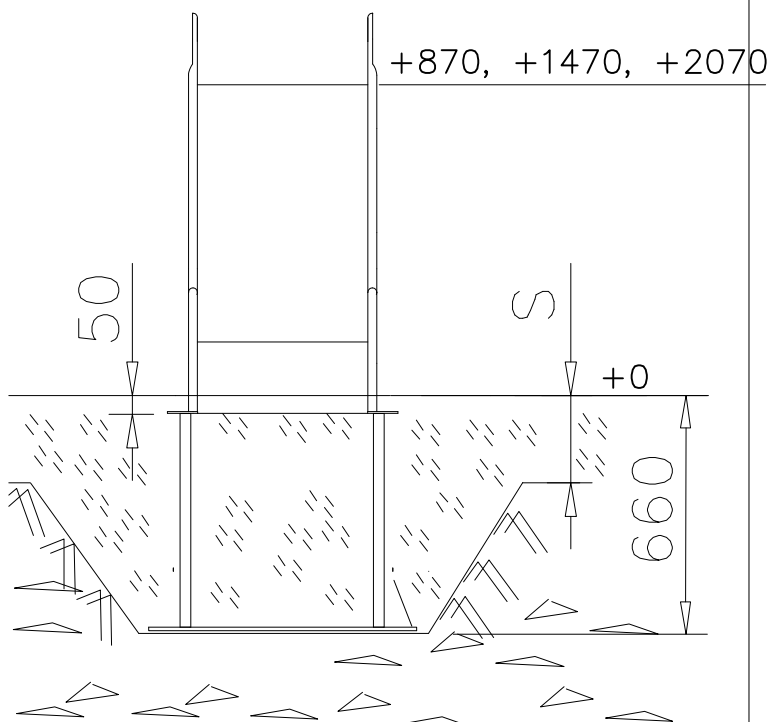
DATE: 24.11.2020

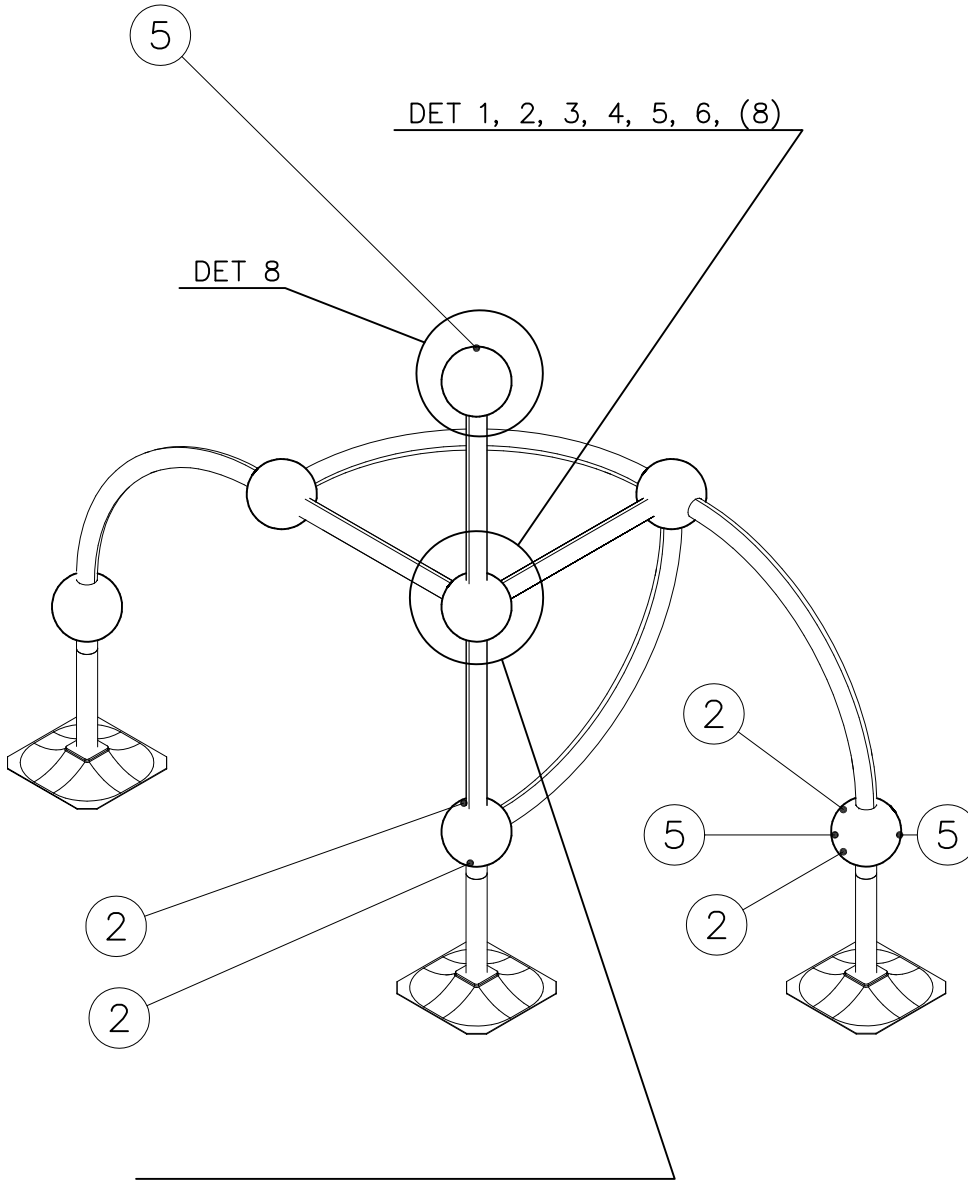
1(1)

Floor level +1970

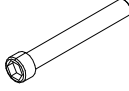

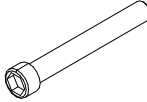



Floor level +870,  
+1470, +2070



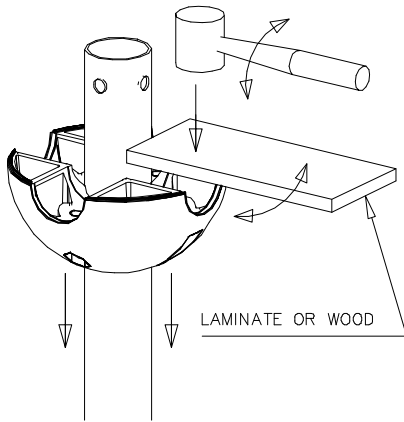


DO NOT TIGHTEN THE JOINTS UNTIL THE STRUCTURE IS COMPLETE.

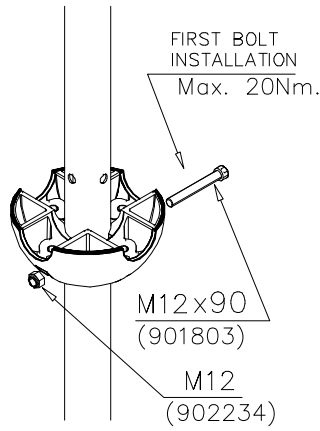
① 901803	PCS	② 901994	PCS
	2		2
M12x90		Ø190	
③ 902096	PCS	④ 902234	PCS
	4		6
M12x120		M12	
	PCS		PCS
	PCS		PCS
	PCS		PCS
	PCS		PCS
	PCS		PCS
	PCS		PCS



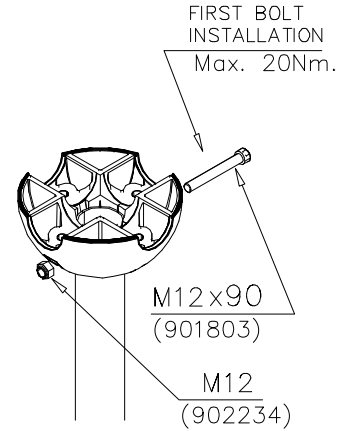
DET 1



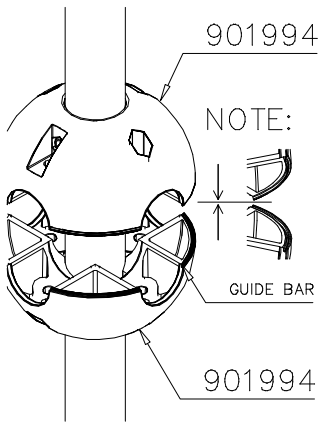
DET 2



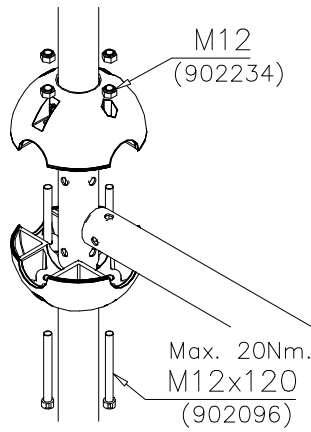
DET 3



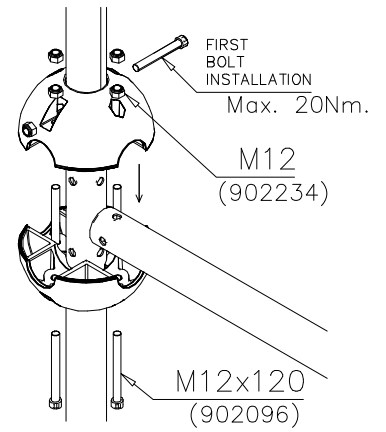
DET 4



DET 5

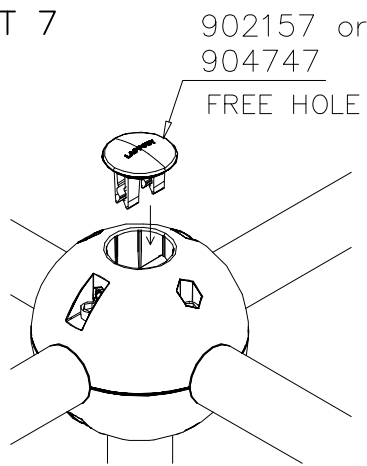


DET 6



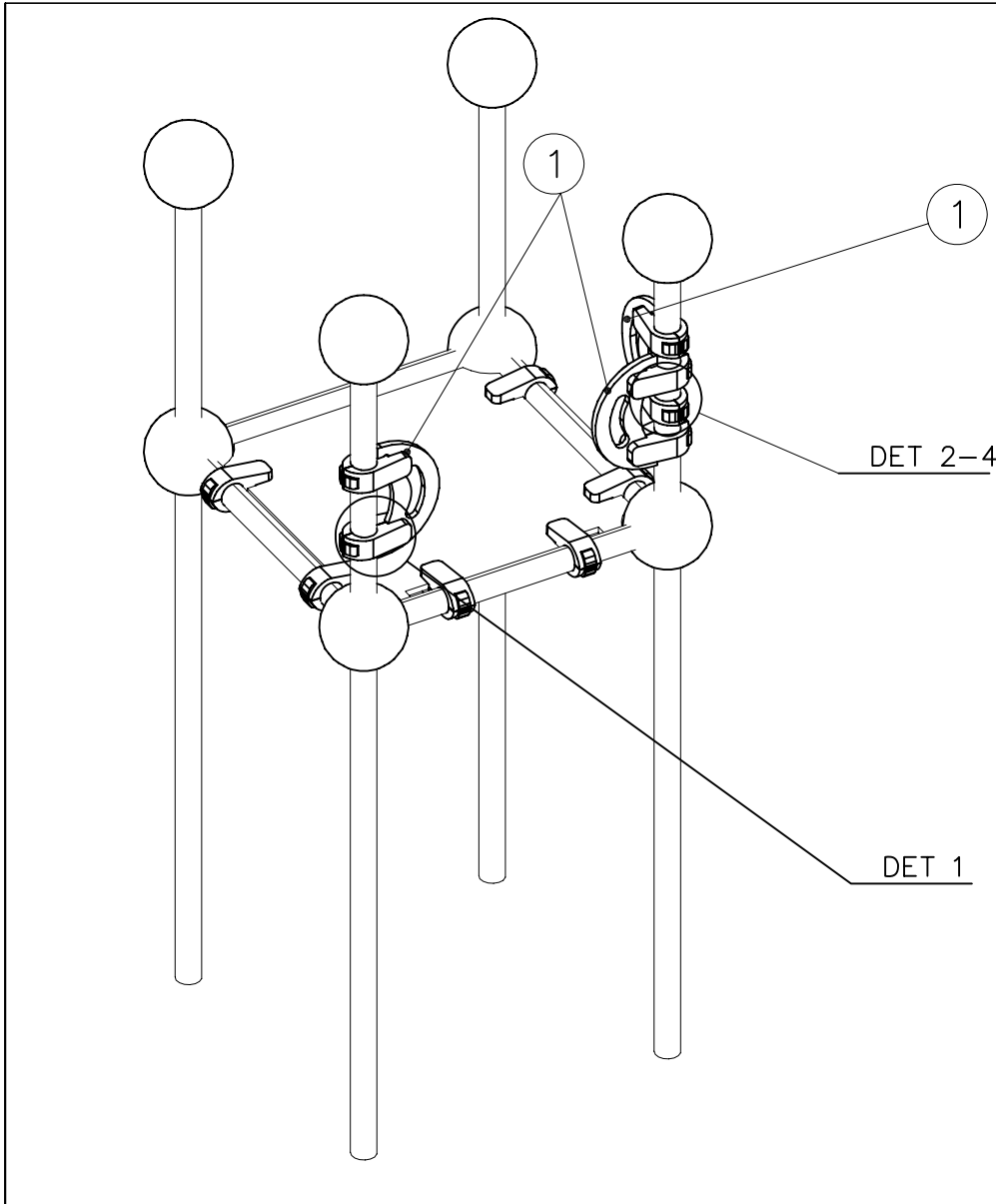
REMEMBER  
FINAL  
TIGHTENING

DET 7

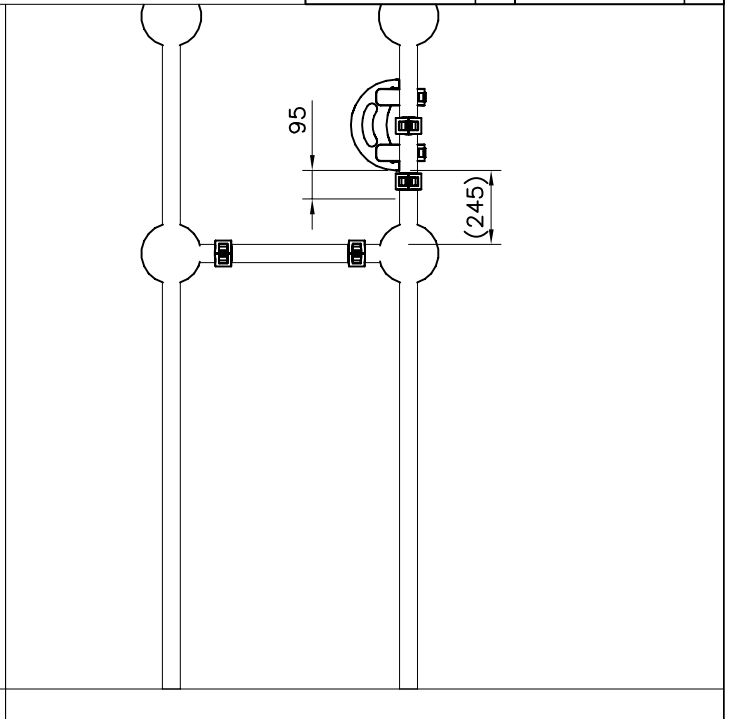
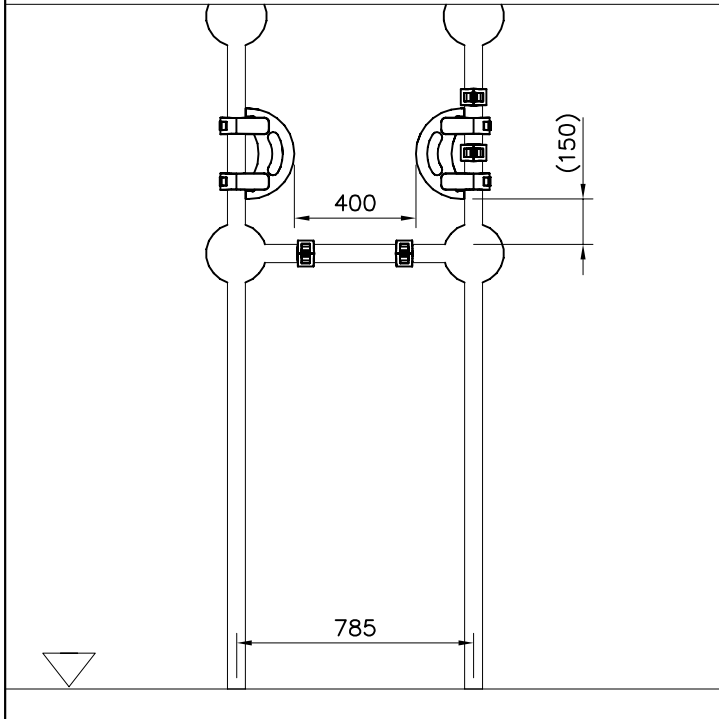


DET 8

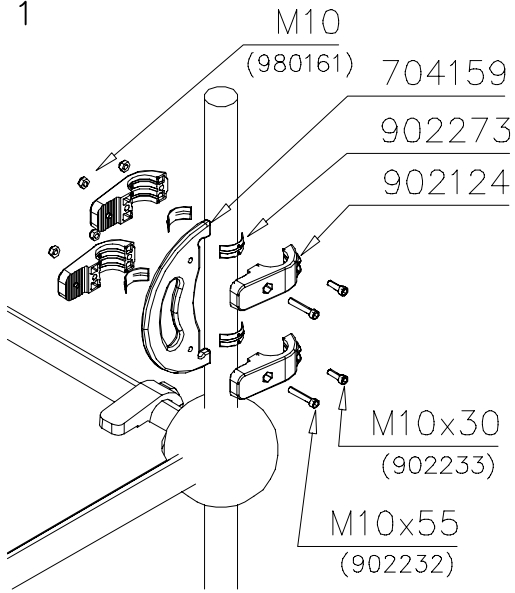




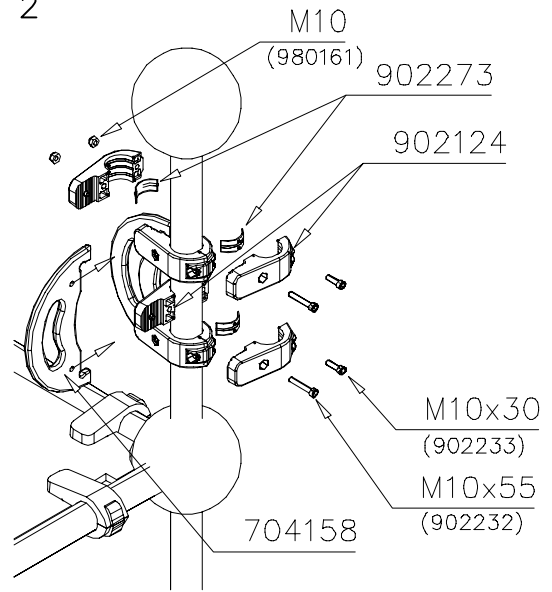
① 704158	PCS	② 902124	PCS
	1		4
		150x50x50	
③ 902232	PCS	④ 902233	PCS
	2		2
M10x55		M10x30	
⑤ 902273	PCS	⑥ 980161	PCS
	4		4
		M10	
	PCS		PCS
	PCS		PCS



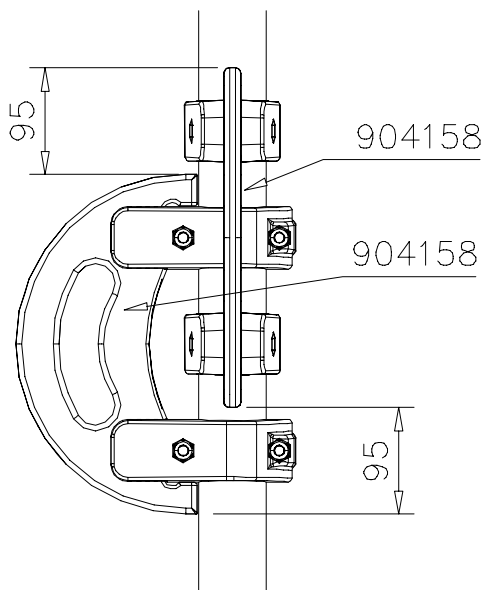
DET 1



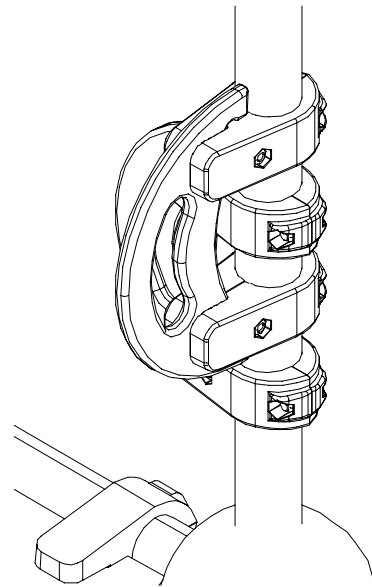
DET 2

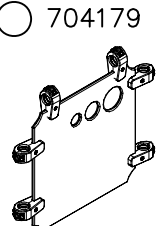
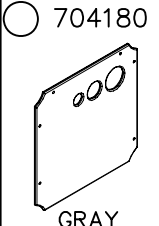
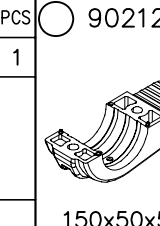
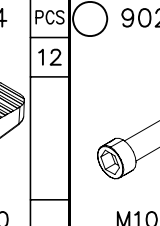
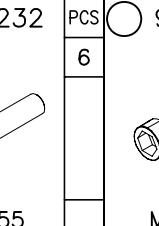
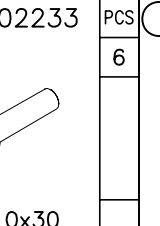
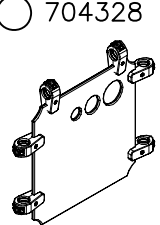
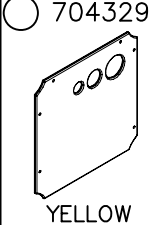
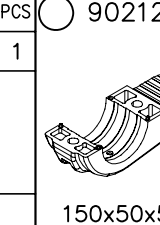
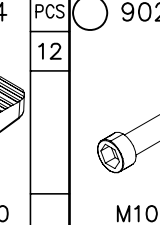
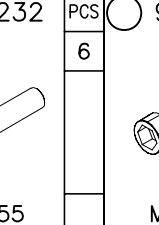
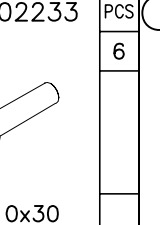
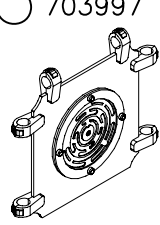
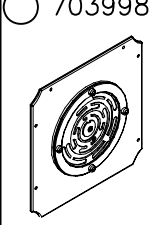
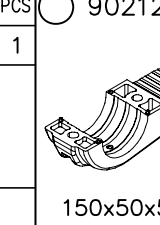
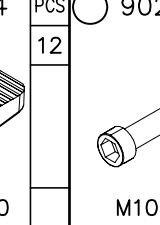
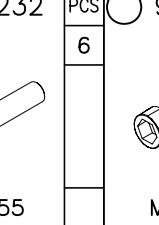
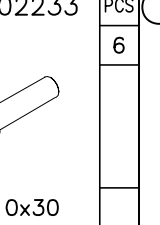
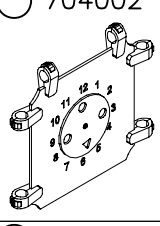
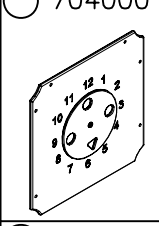
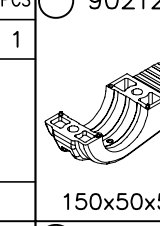
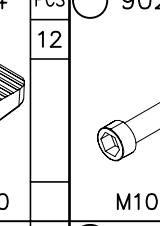
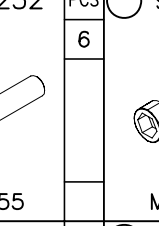
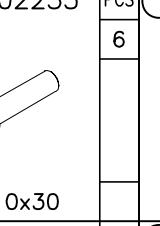
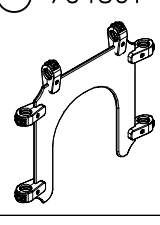
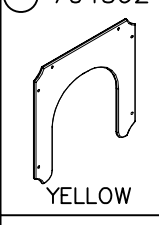
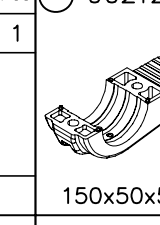
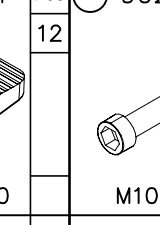
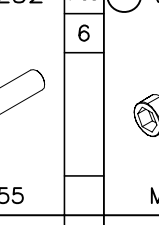
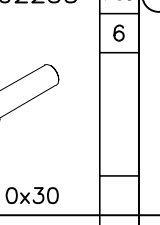


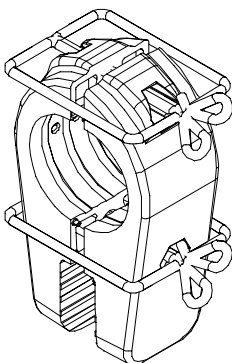
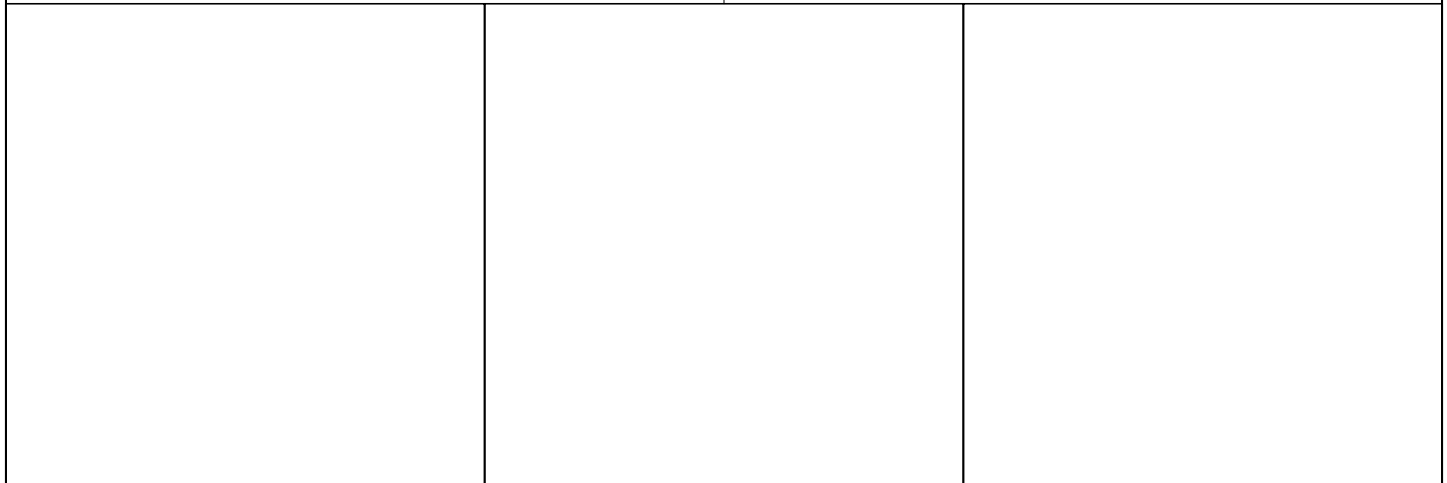
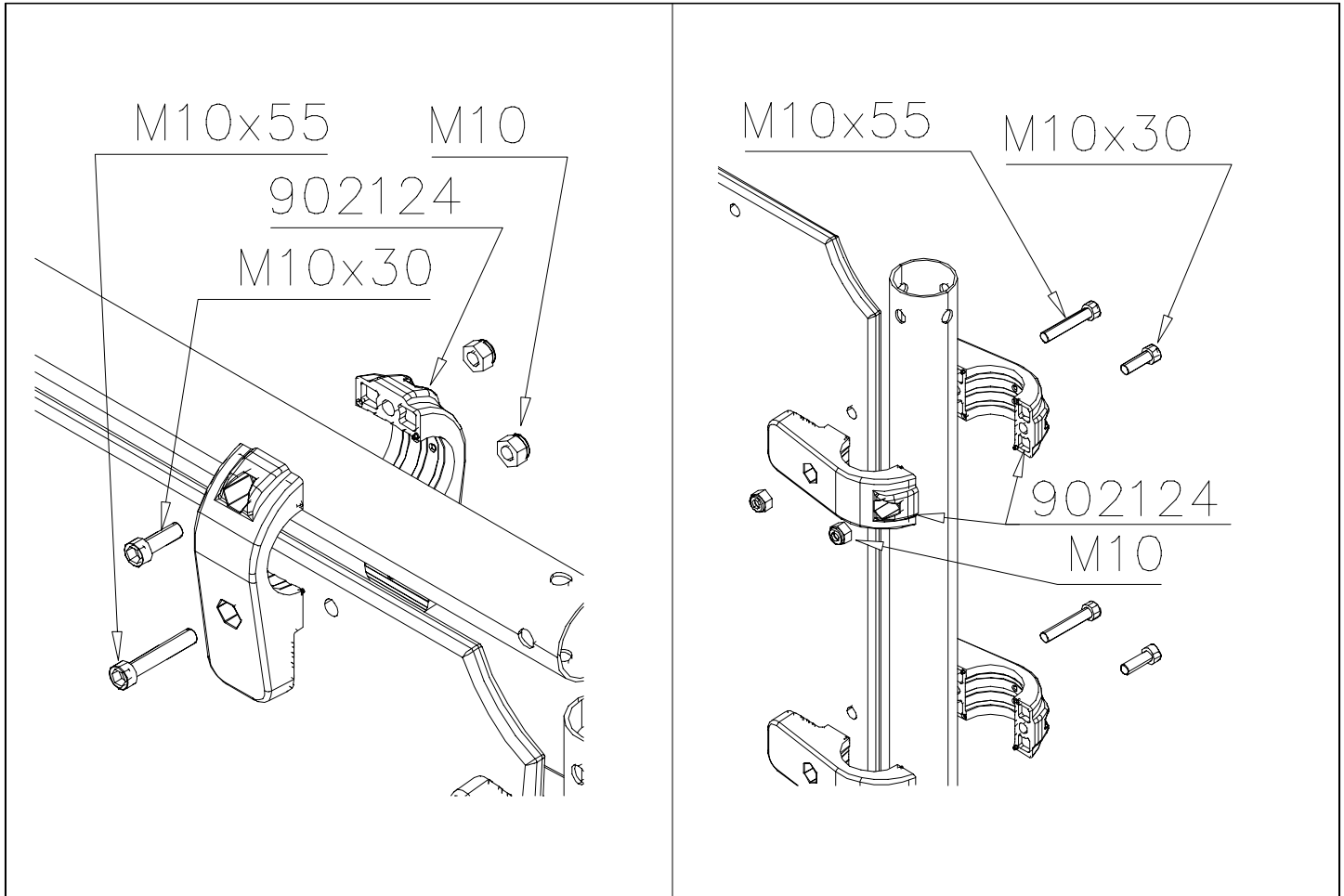
DET 3



DET 4

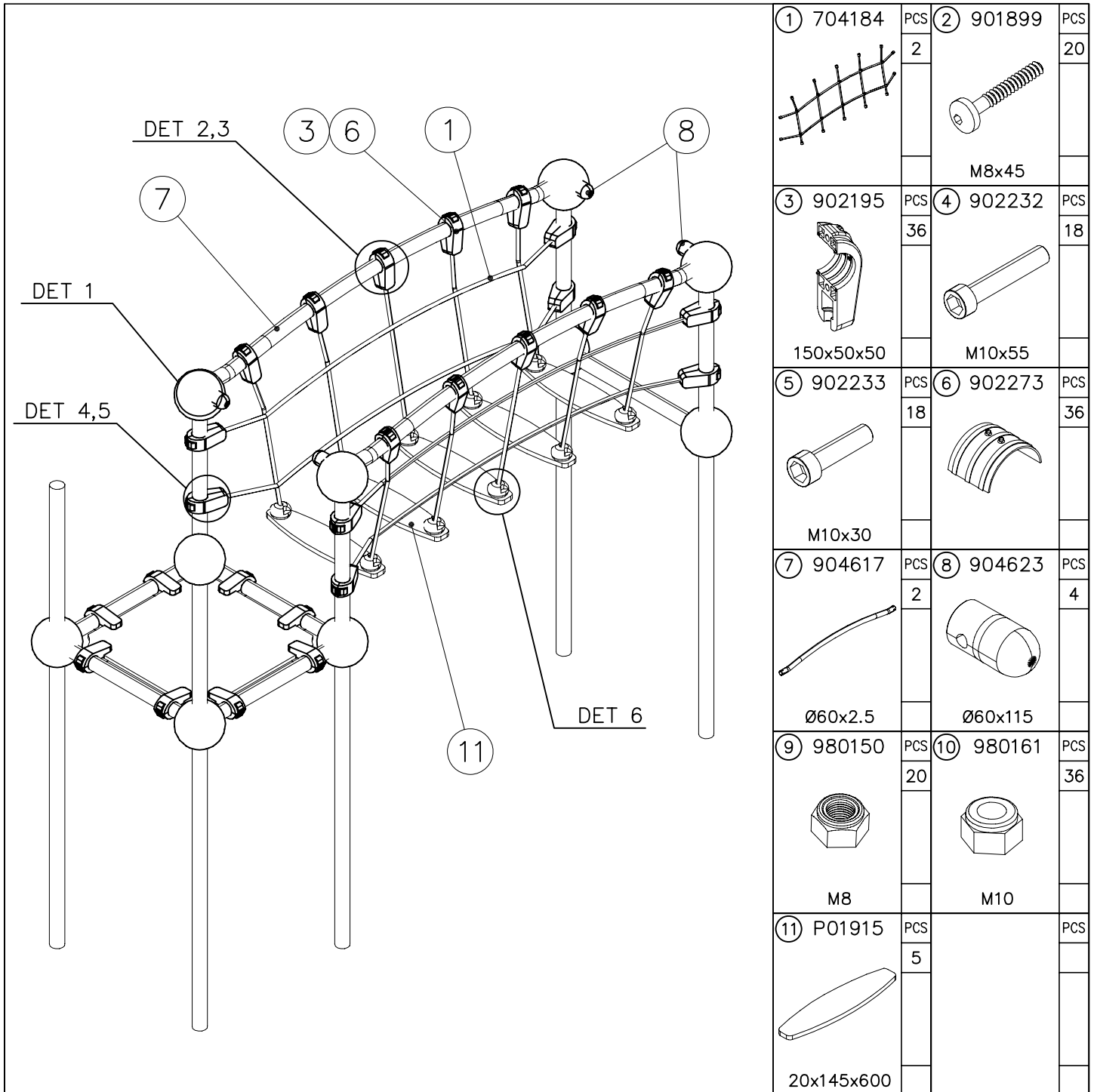


 <p>704179</p>	 <p>704180 GRAY</p>	<p>PCS</p> <p>1</p>	 <p>902124</p> <p>150x50x50</p>	<p>PCS</p> <p>12</p>	 <p>902232</p> <p>M10x55</p>	<p>PCS</p> <p>6</p>	 <p>902233</p> <p>M10x30</p>	<p>PCS</p> <p>6</p>	 <p>980161</p> <p>M10</p>	<p>PCS</p> <p>12</p>		<p>PCS</p>
 <p>704328</p>	 <p>704329 YELLOW</p>	<p>PCS</p> <p>1</p>	 <p>902124</p> <p>150x50x50</p>	<p>PCS</p> <p>12</p>	 <p>902232</p> <p>M10x55</p>	<p>PCS</p> <p>6</p>	 <p>902233</p> <p>M10x30</p>	<p>PCS</p> <p>6</p>	 <p>980161</p> <p>M10</p>	<p>PCS</p> <p>12</p>		<p>PCS</p>
 <p>703997</p>	 <p>703998</p>	<p>PCS</p> <p>1</p>	 <p>902124</p> <p>150x50x50</p>	<p>PCS</p> <p>12</p>	 <p>902232</p> <p>M10x55</p>	<p>PCS</p> <p>6</p>	 <p>902233</p> <p>M10x30</p>	<p>PCS</p> <p>6</p>	 <p>980161</p> <p>M10</p>	<p>PCS</p> <p>12</p>		<p>PCS</p>
 <p>704002</p>	 <p>704000</p>	<p>PCS</p> <p>1</p>	 <p>902124</p> <p>150x50x50</p>	<p>PCS</p> <p>12</p>	 <p>902232</p> <p>M10x55</p>	<p>PCS</p> <p>6</p>	 <p>902233</p> <p>M10x30</p>	<p>PCS</p> <p>6</p>	 <p>980161</p> <p>M10</p>	<p>PCS</p> <p>12</p>		<p>PCS</p>
 <p>704361</p>	 <p>704362 YELLOW</p>	<p>PCS</p> <p>1</p>	 <p>902124</p> <p>150x50x50</p>	<p>PCS</p> <p>12</p>	 <p>902232</p> <p>M10x55</p>	<p>PCS</p> <p>6</p>	 <p>902233</p> <p>M10x30</p>	<p>PCS</p> <p>6</p>	 <p>980161</p> <p>M10</p>	<p>PCS</p> <p>12</p>		<p>PCS</p>
		<p>PCS</p>		<p>PCS</p>		<p>PCS</p>		<p>PCS</p>		<p>PCS</p>		<p>PCS</p>
		<p>PCS</p>		<p>PCS</p>		<p>PCS</p>		<p>PCS</p>		<p>PCS</p>		<p>PCS</p>
		<p>PCS</p>		<p>PCS</p>		<p>PCS</p>		<p>PCS</p>		<p>PCS</p>		<p>PCS</p>

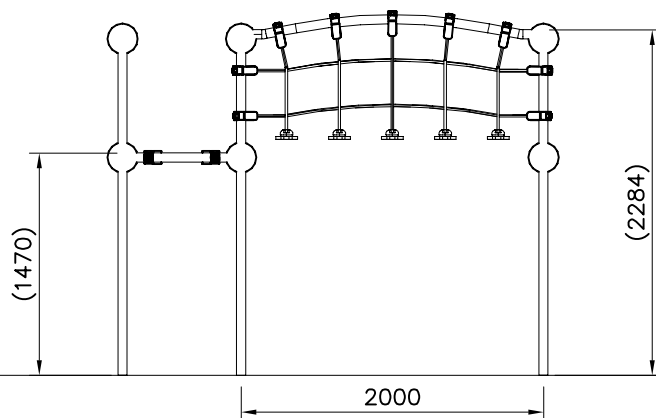
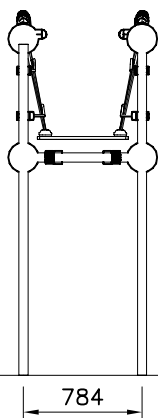


NOTE:  
 Use a wire marked pairs  
 of the same junction.

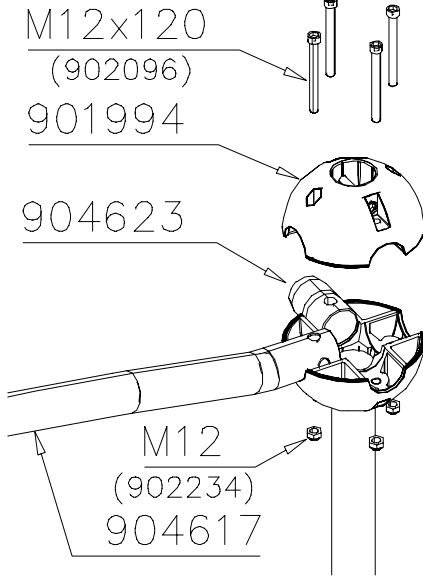
Huom!  
 Käytä langalla merkittyä  
 paria samassa liitoksessa.



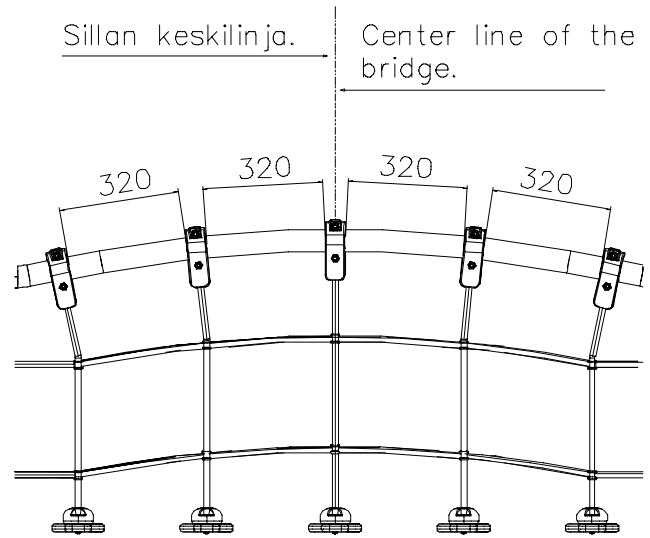
① 704184	PCS	② 901899	PCS
	2		20
		M8x45	
③ 902195	PCS	④ 902232	PCS
	36		18
150x50x50		M10x55	
⑤ 902233	PCS	⑥ 902273	PCS
	18		36
M10x30			
⑦ 904617	PCS	⑧ 904623	PCS
	2		4
∅60x2.5		∅60x115	
⑨ 980150	PCS	⑩ 980161	PCS
	20		36
M8		M10	
⑪ P01915	PCS		PCS
	5		
20x145x600			



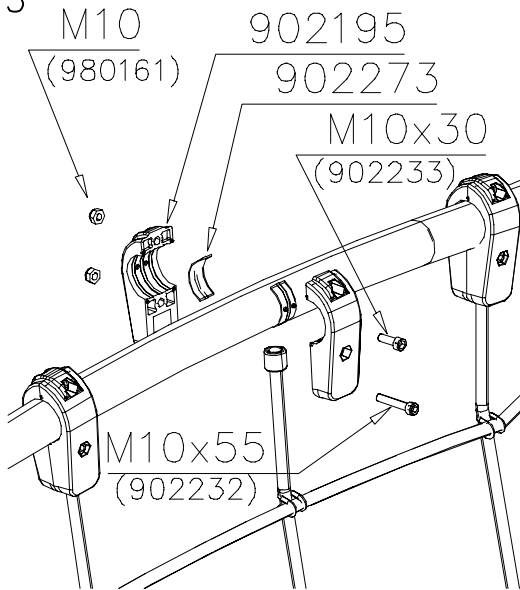
DET 1



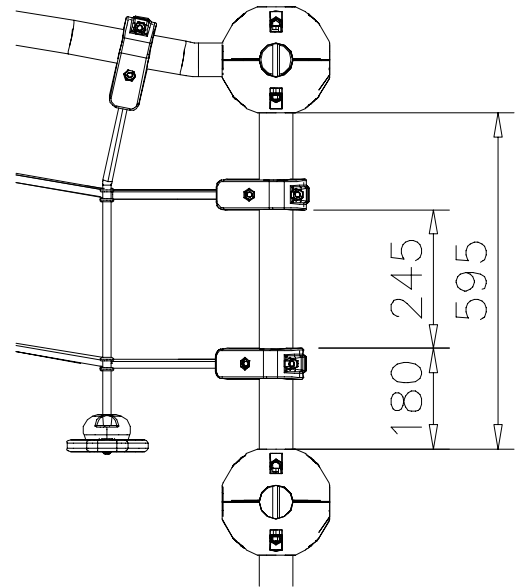
DET 2



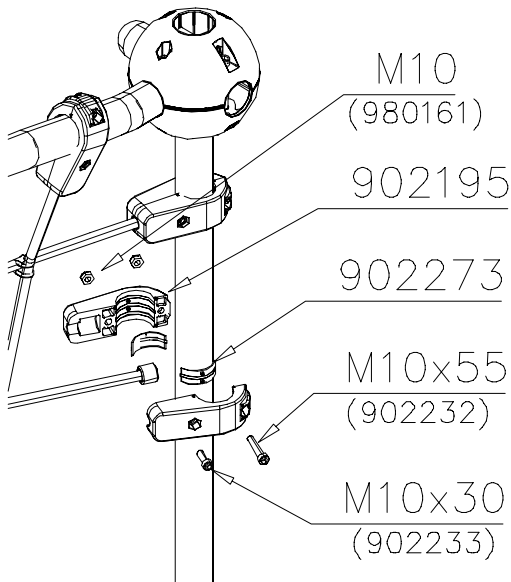
DET 3



DET 4



DET 5



DET 6

