

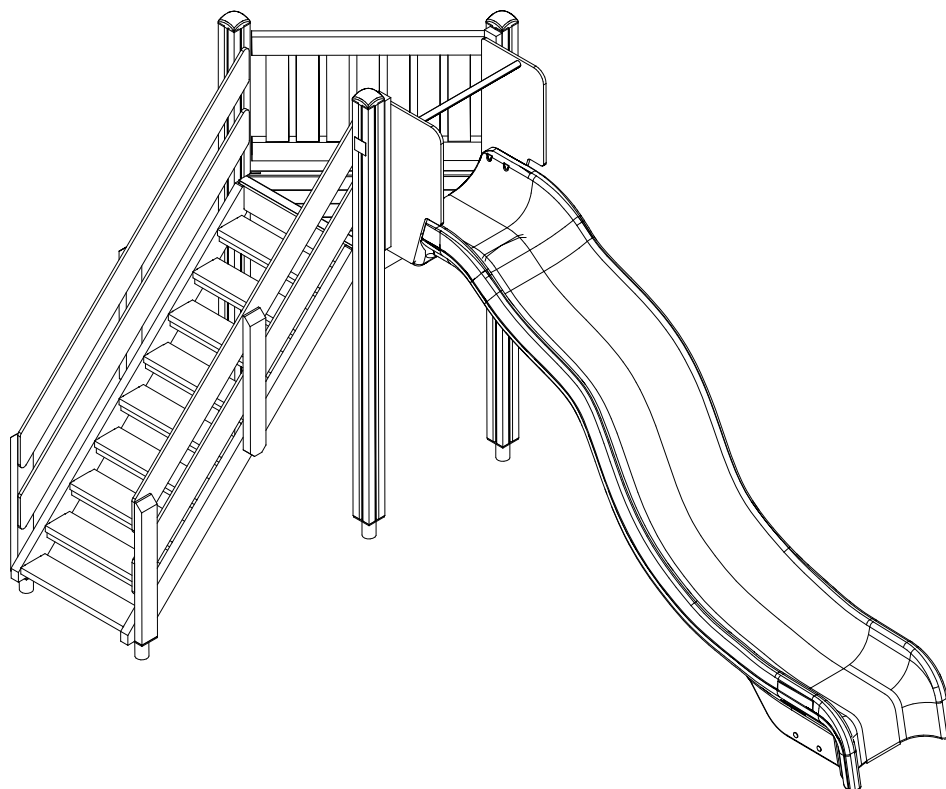
LAPPSET®

CLOVER

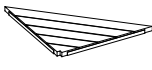

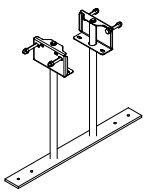
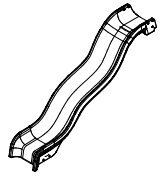
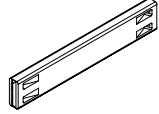
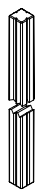


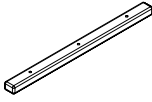
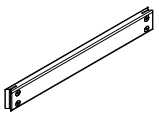
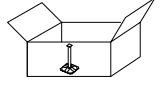
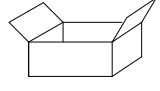
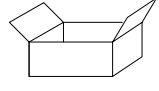
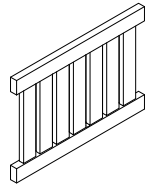
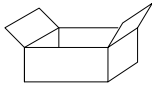
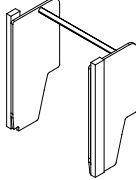
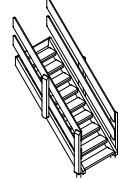
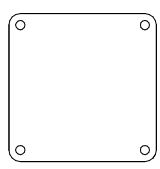
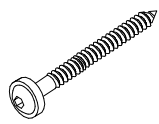
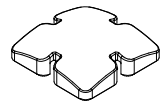


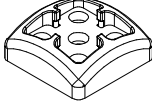
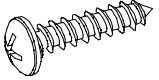
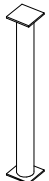
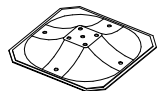
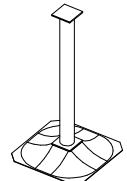
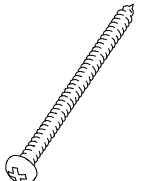

ASENNUSOHJE
MONTERINGSANSVISNING
INSTALLATION INSTRUCTION
AUFBAUANLEITUNG
NOTICE D'INSTALLATION

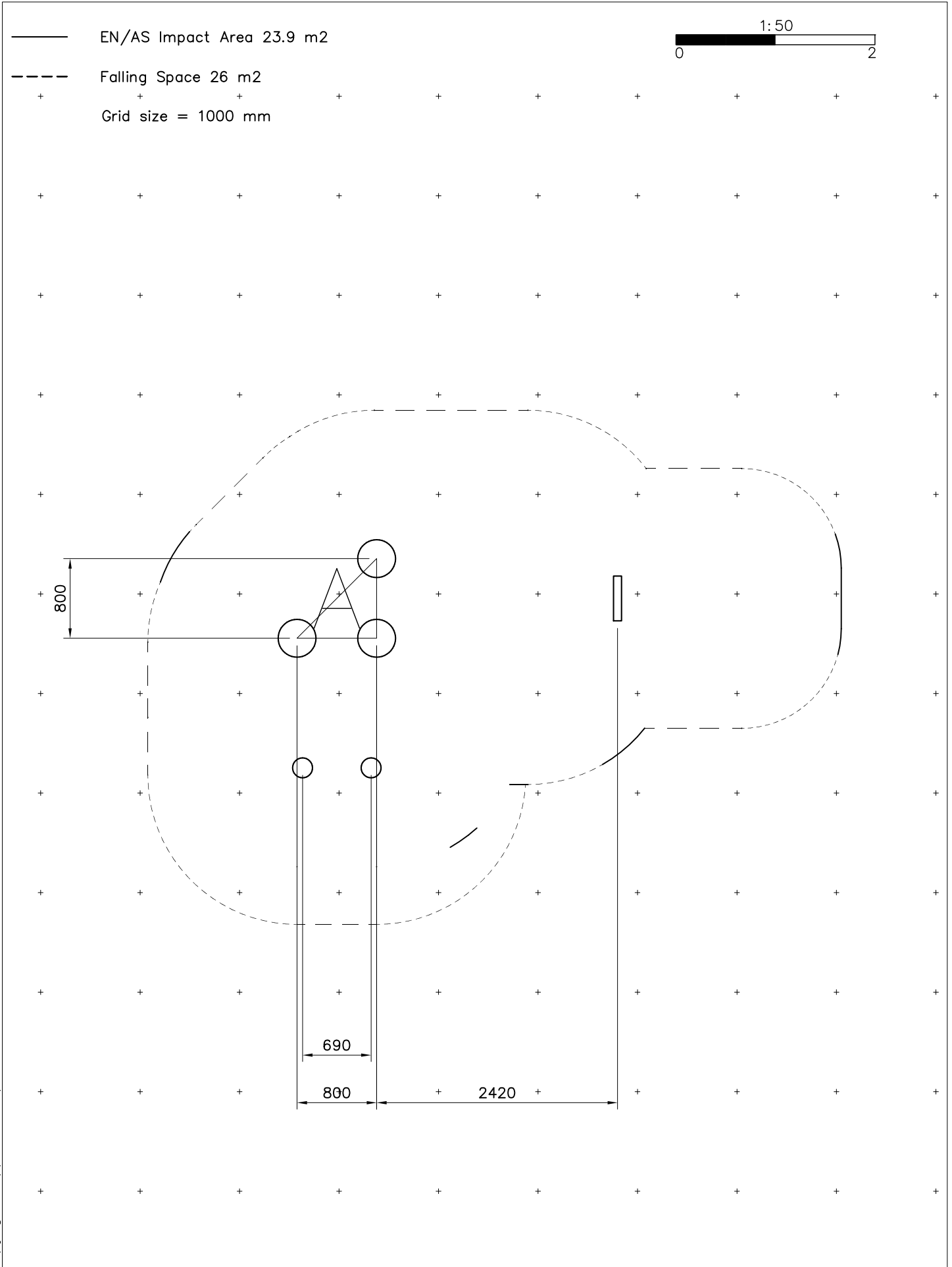
DATE: 24.11.2015

175090

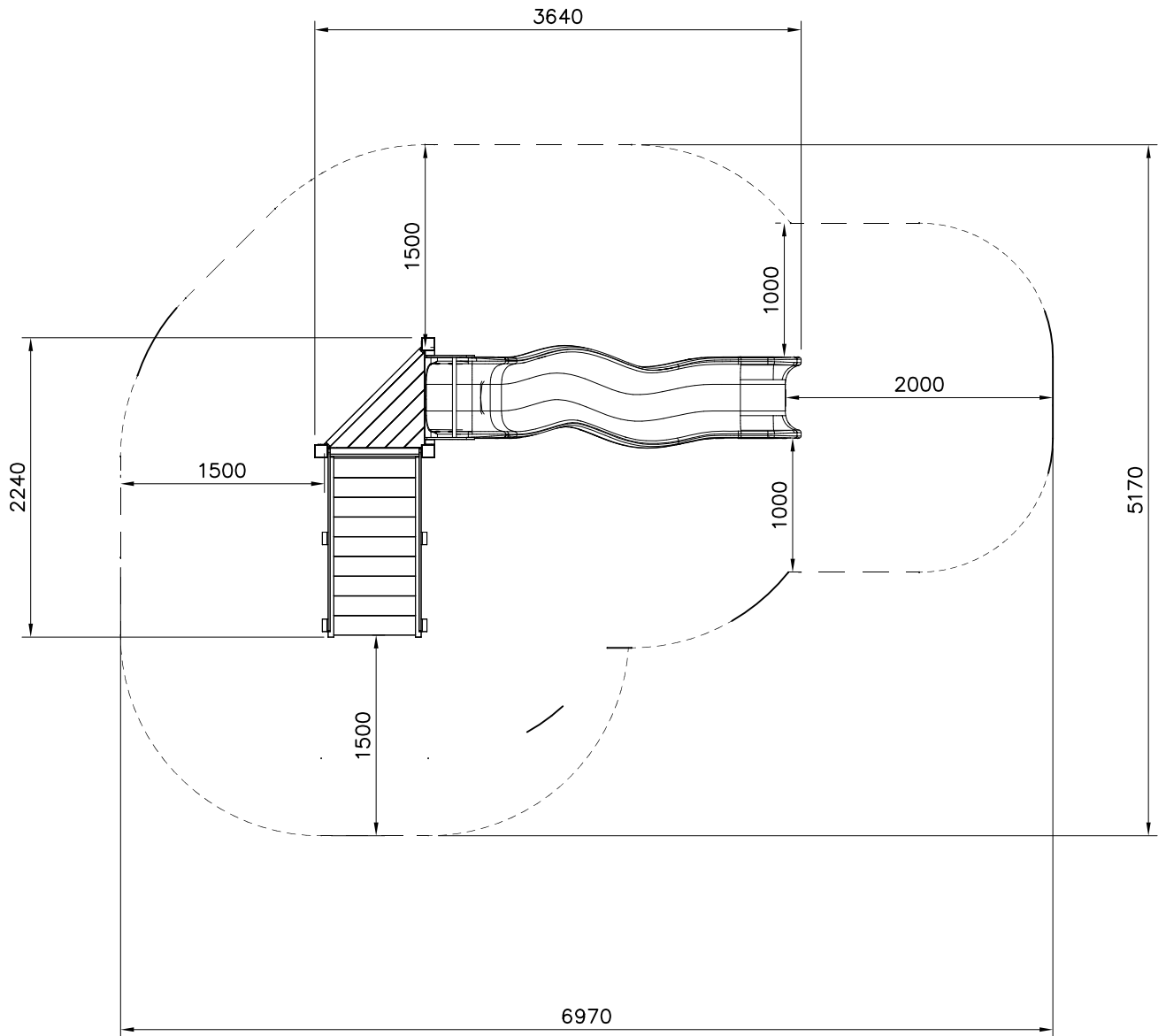


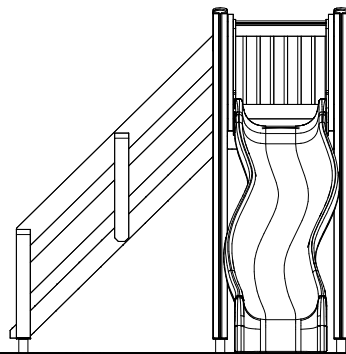
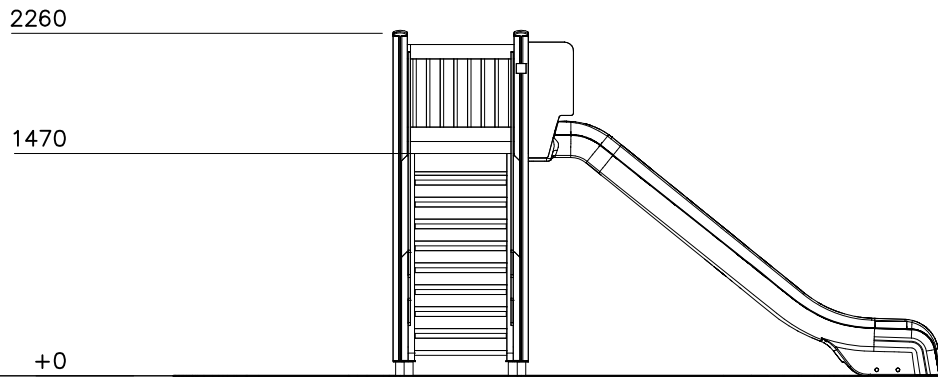
DATE: 24.11.2015

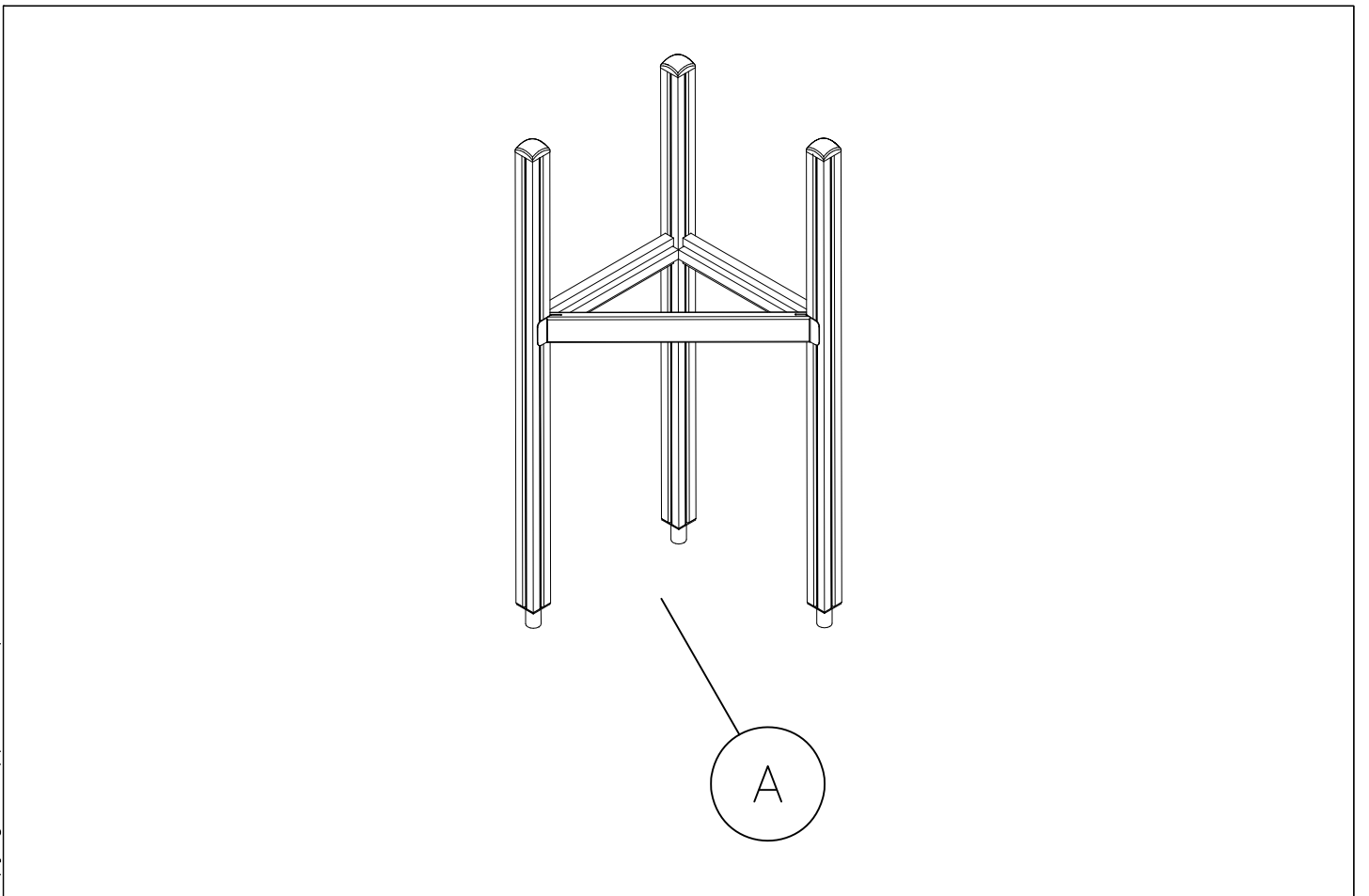
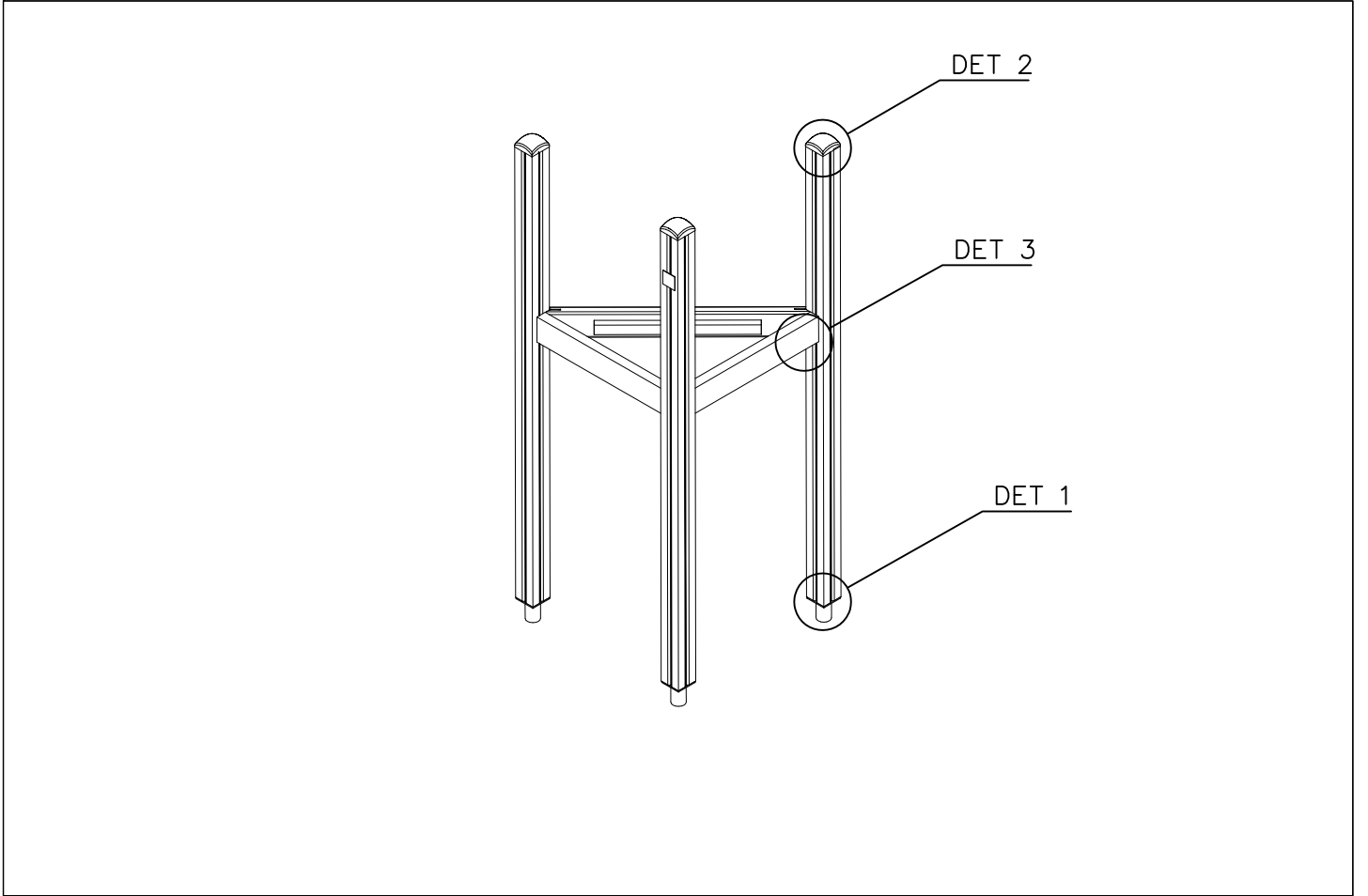
| | | | | | | | | | | | |
|---|-----|---|-----|---|-----|---|-----|---|-----|---|-----|
| 008985 | PCS | 702286 | PCS | 704768 | PCS | 704850 | PCS | 706439 | PCS | 706484 | PCS |
|  | 1 |  | 1 |  | 1 |  | 1 |  | 2 |  | 3 |
| 32x714x714 | | 90x50 | |  | |  | | L 704 | | 93x93x2150 | |
| 706508 | PCS | 706510 | PCS | 706531 | PCS | 706537 | PCS | 706538 | PCS | 706997 | PCS |
|  | 3 |  | 1 |  | 3 |  | 1 |  | 1 |  | 1 |
| 32x45x650 | | 45x120x1030 | | | | | | | | 45x640x984 | |
| 706999 | PCS | 707307 | PCS | 707326 | PCS | 902487 | PCS | 903093 | PCS | 905138 | PCS |
|  | 1 |  | 1 |  | 1 |  | 1 |  | 8 |  | 3 |
| | |  | |  | | 65x65 | | Ø8x90 | | GRAY | |
| 905196 | PCS | 909506 | PCS | 909511 | PCS | 909519 | PCS | 909521 | PCS | 980131 | PCS |
|  | 3 |  | 4 |  | 3 |  | 3 |  | 2 |  | 12 |
| GRAY | | Ø3.5x13 | | 90x90x650 | | 50x380x380 | |  | | Ø6x60 | |
| | PCS | | PCS | | PCS | | PCS | | PCS | | PCS |
| | | | | | | | | | | | |
| | PCS | | PCS | | PCS | | PCS | | PCS | | PCS |
| | | | | | | | | | | | |
| | PCS | | PCS | | PCS | | PCS | | PCS | | PCS |
| | | | | | | | | | | | |

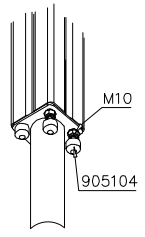
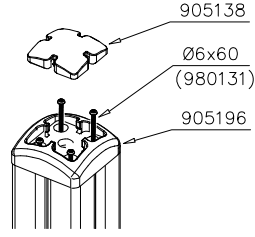
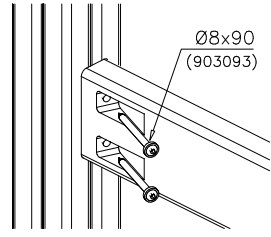


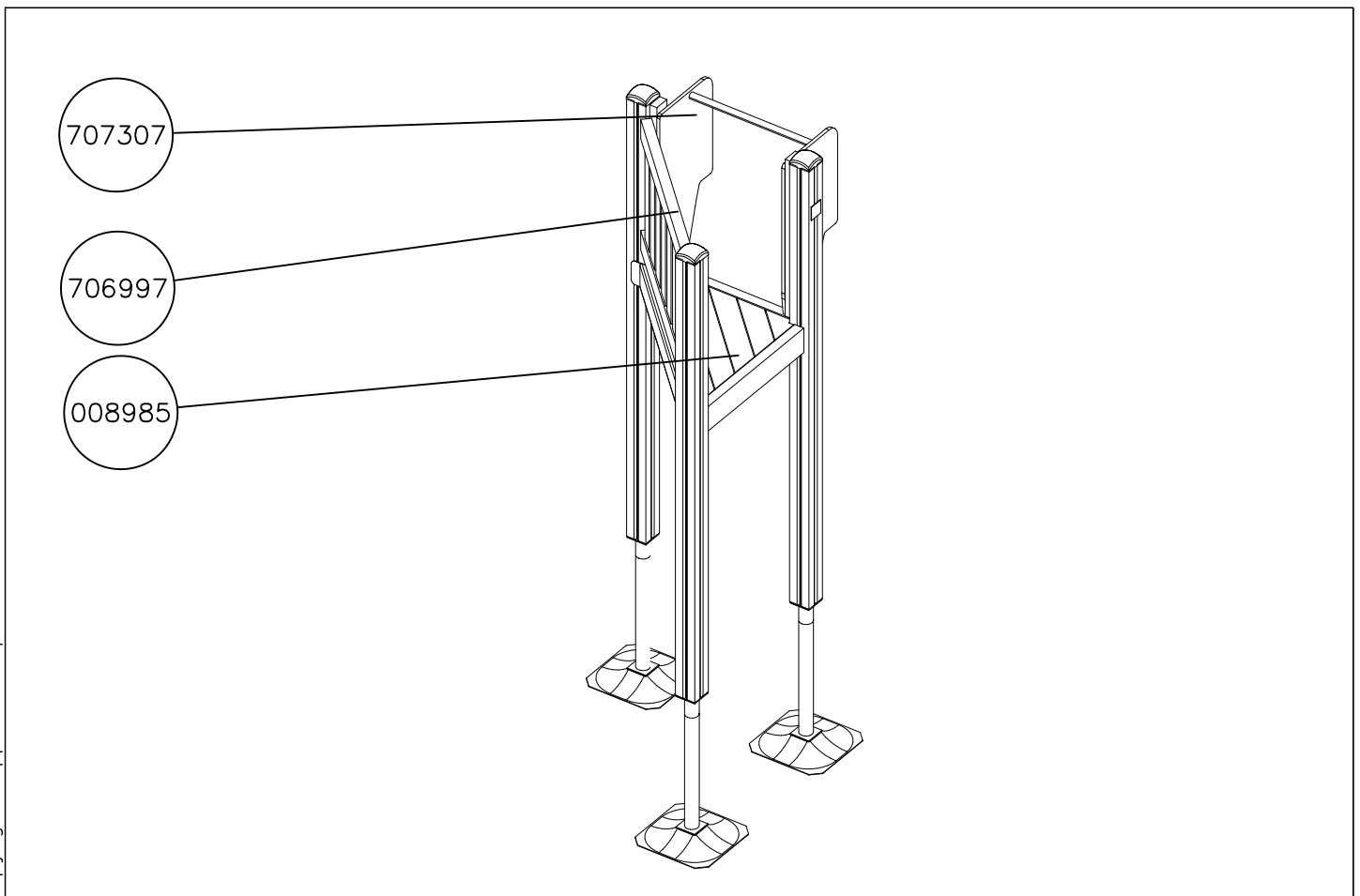
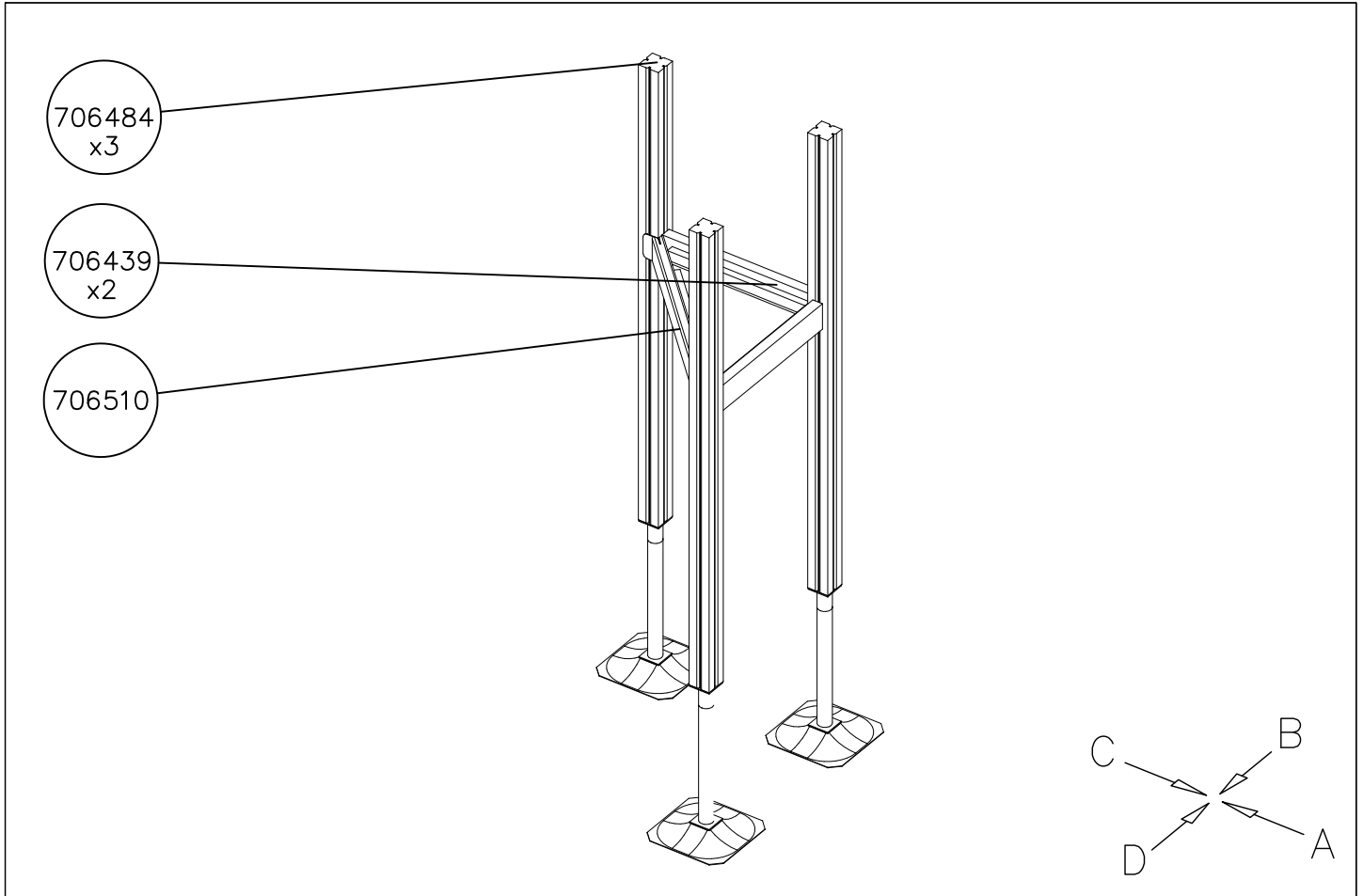
- EN/AS Impact Area 23.9 m²
- - - Falling Space 26 m²
Max Falling Height 1470 mm







| DET 1 | DET 2 | DET 3 | |
|---|---|--|--|
|  |  |  | |
| | | | |
| | | | |
| | | | |



DATE: 24.11.2015

1:50

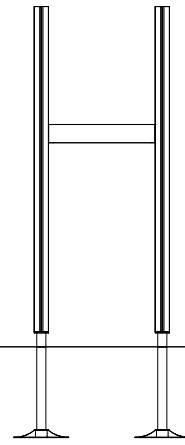
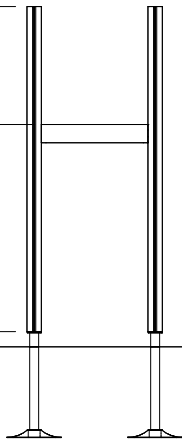
(A)

(B)

+2150

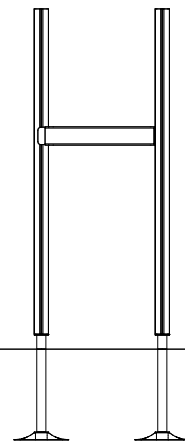
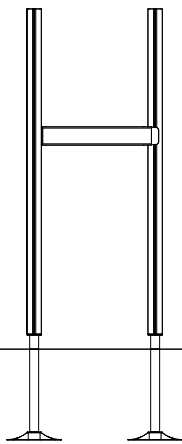
+1370

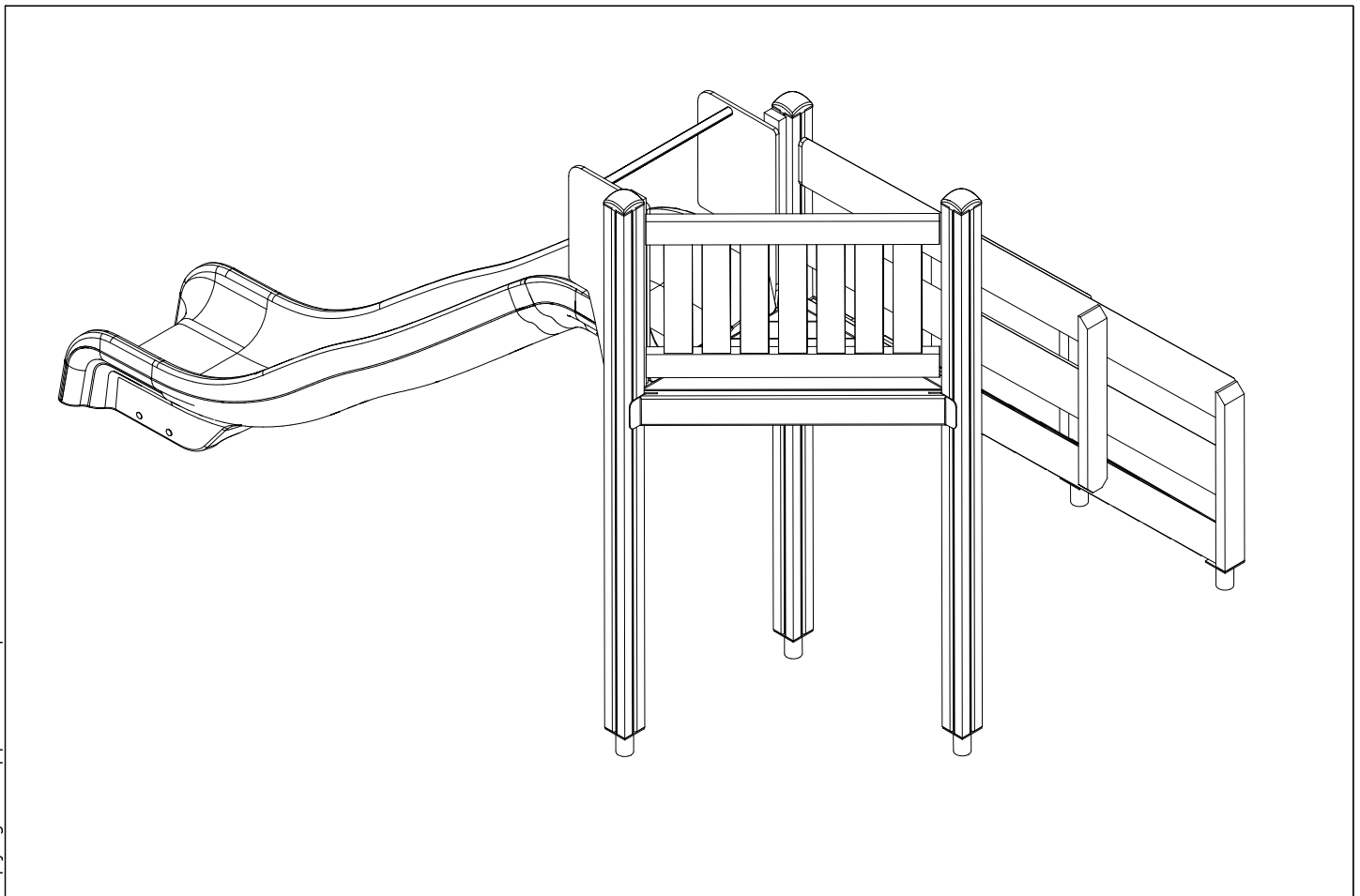
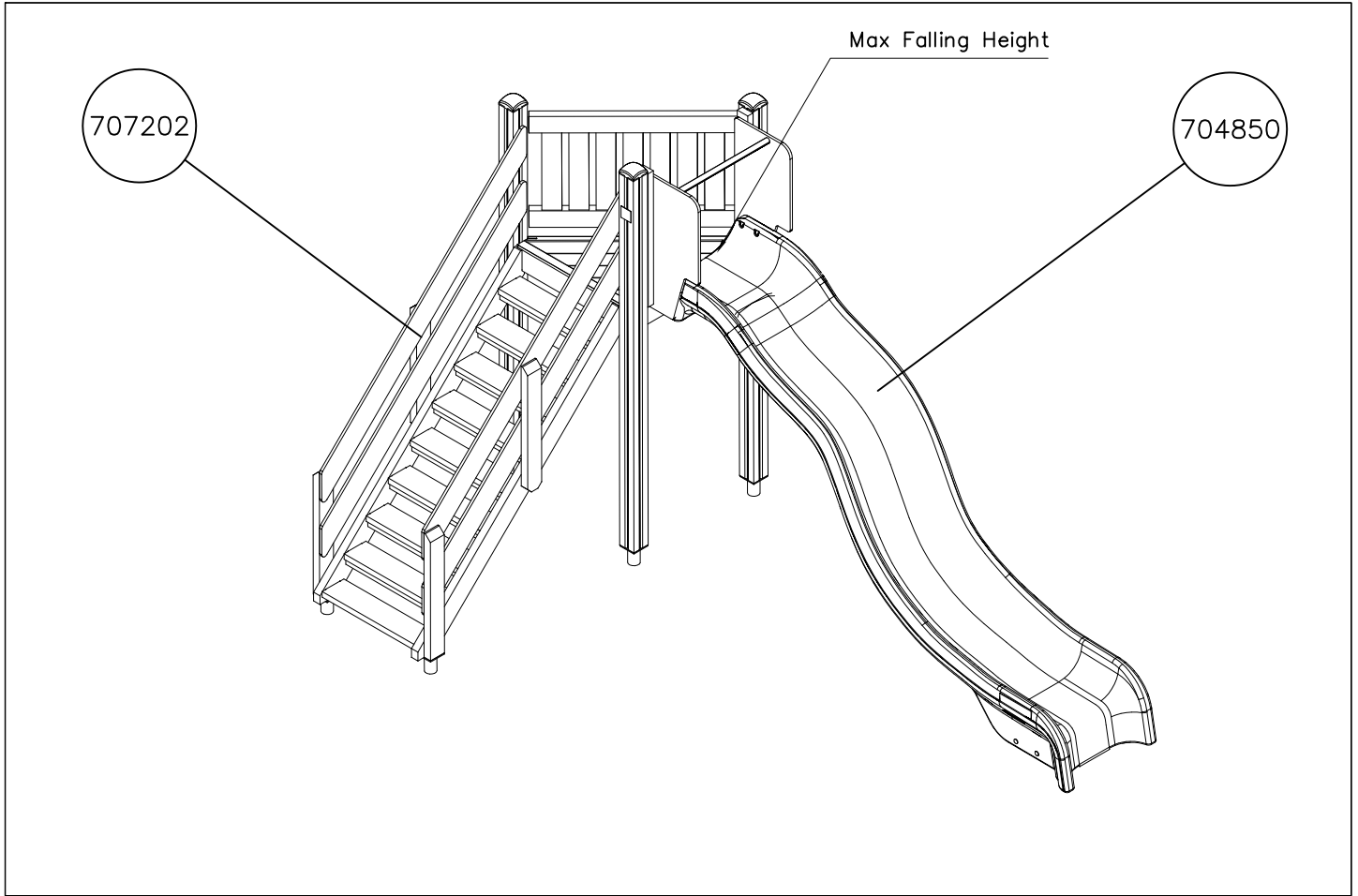
+0

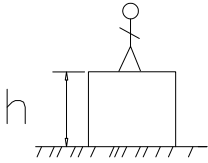



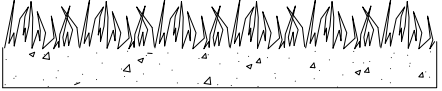
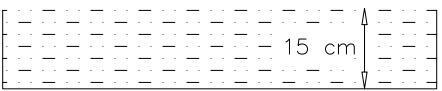
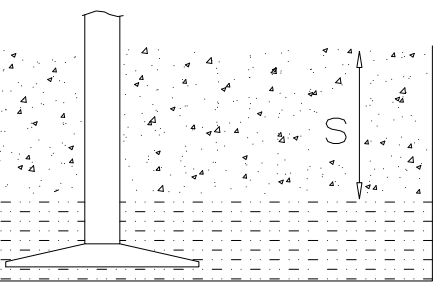
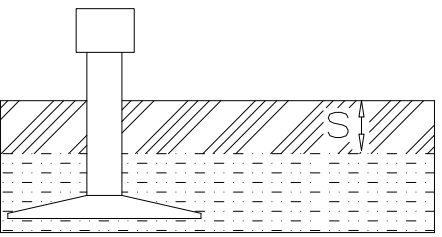


(C)

(D)





| | | |
|---|--|---|
|  | | |
| <p>$h < 600$</p> <p>Without movement and therefore without Impact Area</p> | <p>Totally hard surfaces.</p> <p>Note. Lappset does <u>not recommend</u> totally hard surfaces at all.</p> | <p>E.g. concrete or asphalt</p>  |
| <p>$h < 600$</p> <p>With movement e.g. rocking</p> | <p>Materials with very limited impact attenuating properties.</p> | <p>E.g. wood</p>  |
| <p>$h < 1000$</p> | <p>Materials with significant impact attenuating properties.</p> | <p>fine gravel 0–8 mm</p>  <p>grass</p>  <p>unsorted sand</p>  |
| <p>$h < 3000$</p> | <p>Loose fill material</p> <p>E.g. sand/gravel 0,25...8 mm D60/D10<3,0 Woodchips 5...30 mm bark 20...80 mm</p> |  <p>\underline{S} \underline{h}</p> <p>30 cm < 2,0 m</p> <p>40 cm < 3,0 m</p> |
| | <p>Syntethic granulates</p> <p>\underline{S} \underline{h}</p> <p>40 mm ~> 1,2...1,3 m</p> <p>50 mm ~> 1,5...1,7 m</p> <p>60 mm ~> 1,8...2,0 m</p> <p>70 mm ~> 2,1...2,5 m</p> <p>Note. For accurate values, see manufacturer's instructions.</p> |  |

REMOVE SAFETY SURFACE/SAND/GRAVEL
TO CHECK FOUNDATION



REMOVE SAFETY SURFACE/SAND/GRAVEL
TO CHECK FOUNDATION



LAPPSET® DEEP FOUNDATION

FOOT

DATE: 15.5.2018

1(1)



| | | | | | |
|---|-----------|-----|---|------------|-----|
| ① | 909511 | PCS | ② | 909519 | PCS |
| | | 1 | | | 1 |
| | 90x90x650 | | | 50x380x380 | |

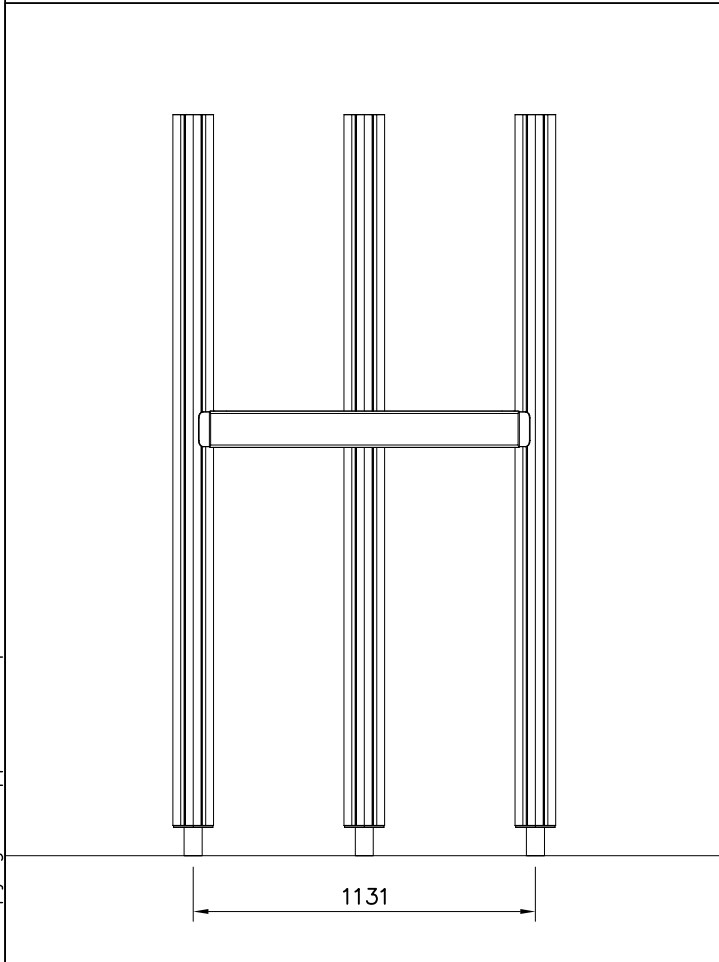
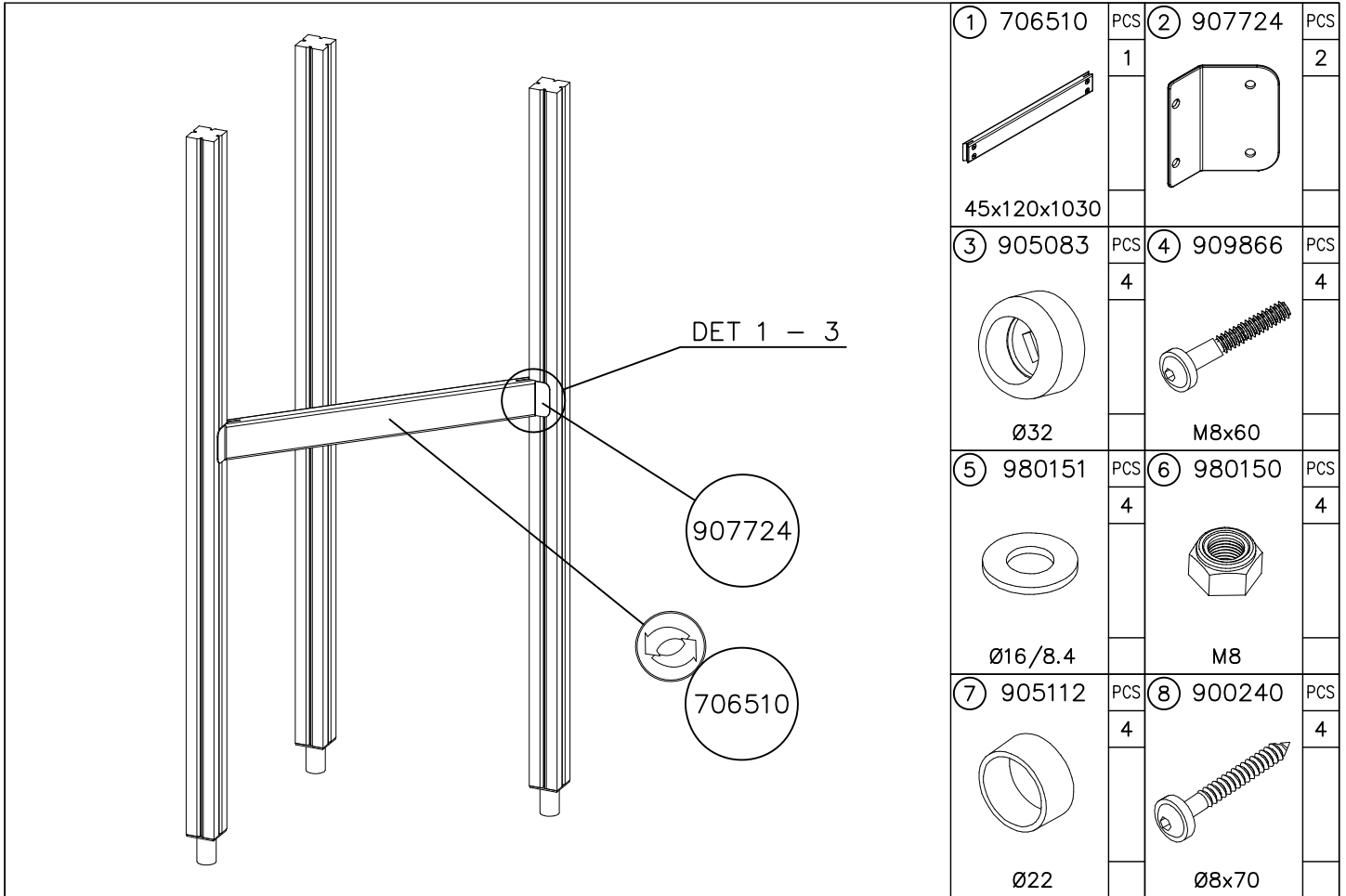
| | | | | | |
|---|--------|-----|---|----------|-----|
| ③ | 909637 | PCS | ④ | 909638 | PCS |
| | | 4 | | | 8 |
| | M10 | | | Ø20/10.5 | |

| | | | | | |
|---|--------|-----|---|--------|-----|
| ⑤ | 909639 | PCS | ⑥ | 905104 | PCS |
| | | 4 | | | 4 |
| | M10x25 | | | M10 | |

OPTION FOOT

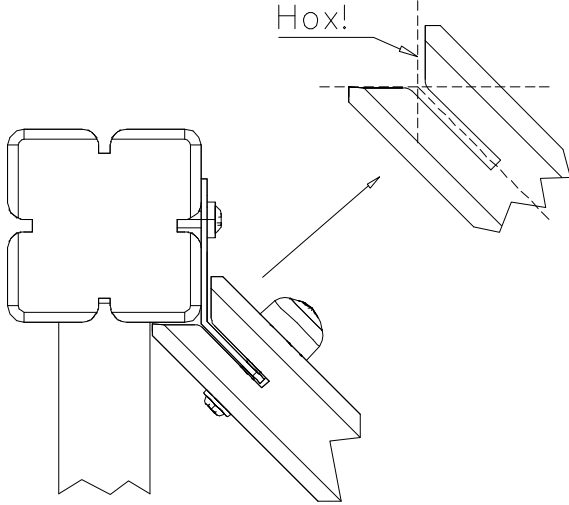
| | | | | | |
|---|-----------|-----|--|--|-----|
| ① | 911155 | PCS | | | PCS |
| | | 1 | | | |
| | 90x90x650 | | | | |



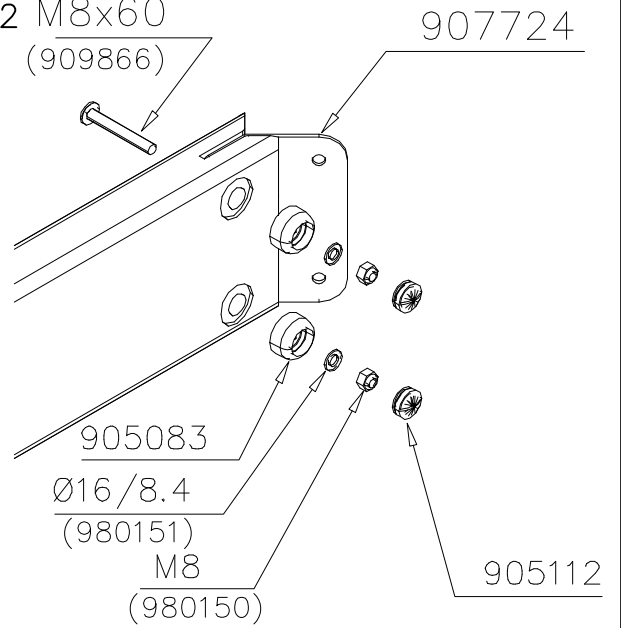


| BOOM OPTIONS | | |
|--------------|------------|-------------|
| 706510 | 706510-602 | DARK BROWN |
| | 706510-603 | LIGHT BROWN |
| 45x120x1030 | 706510-604 | LIGHT GRAY |
| | | |
| | | |
| | | |

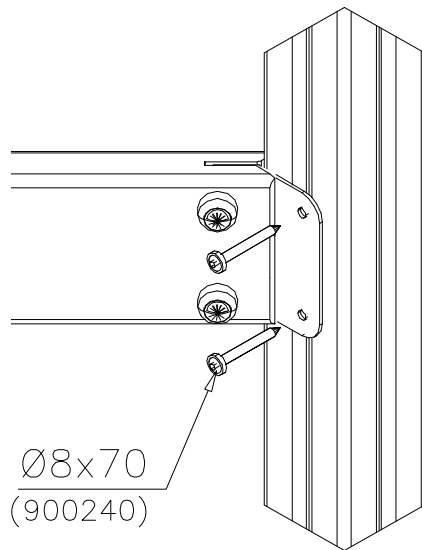
DET 1

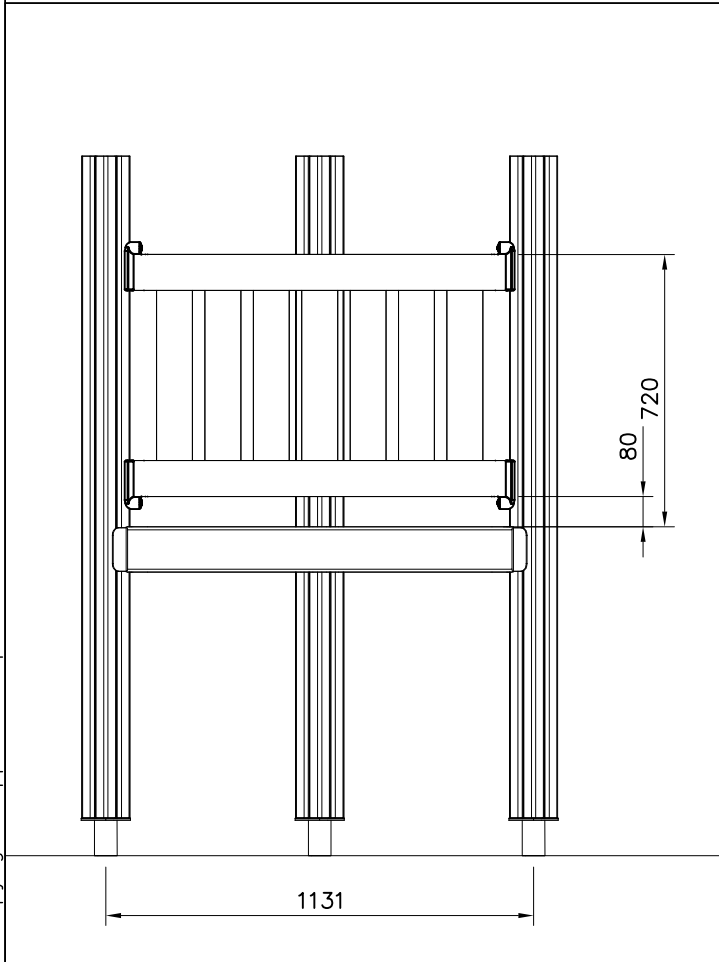
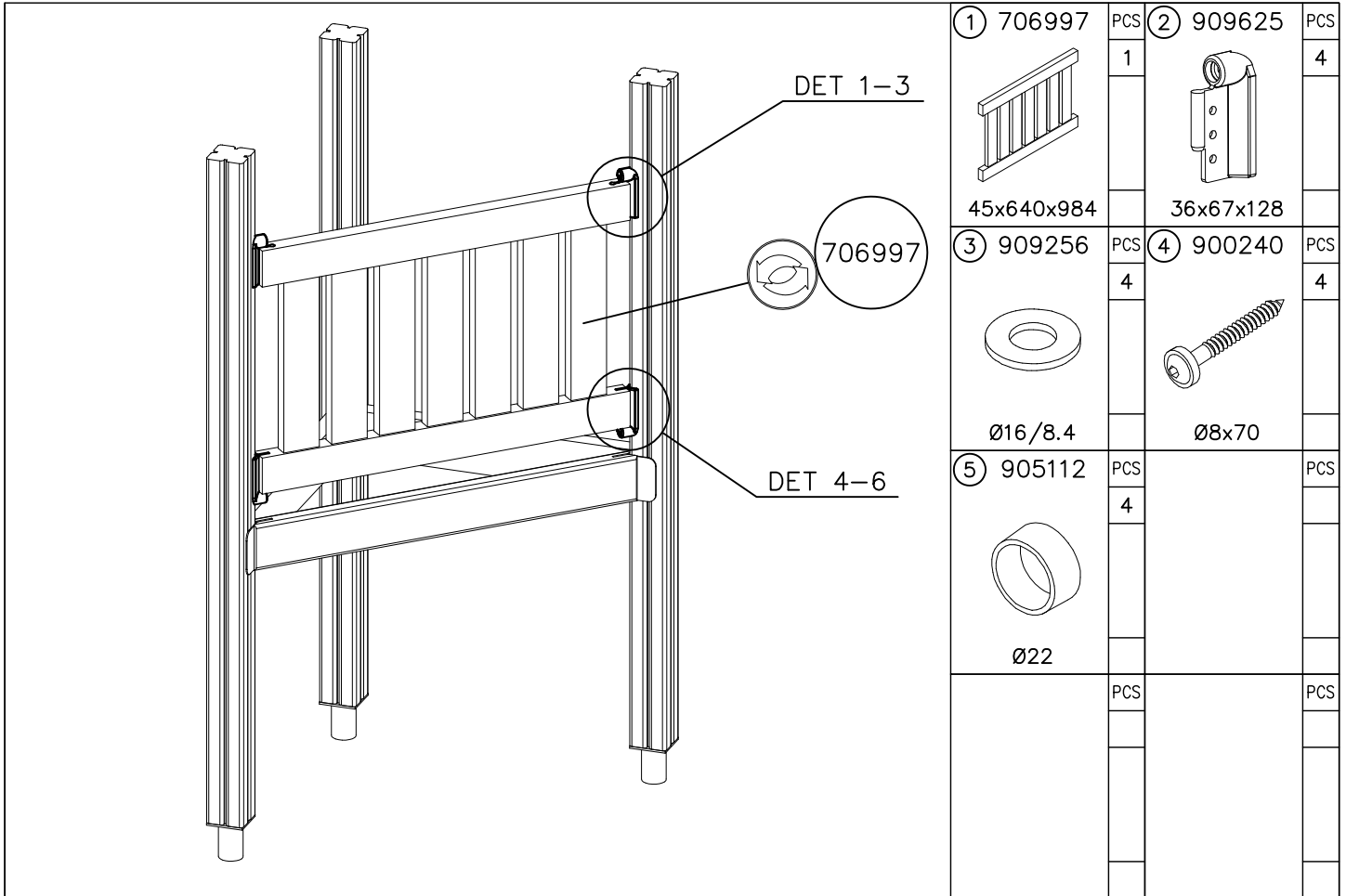


DET 2 M8x60
(909866)

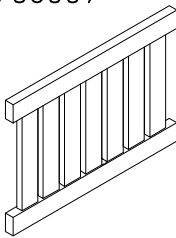


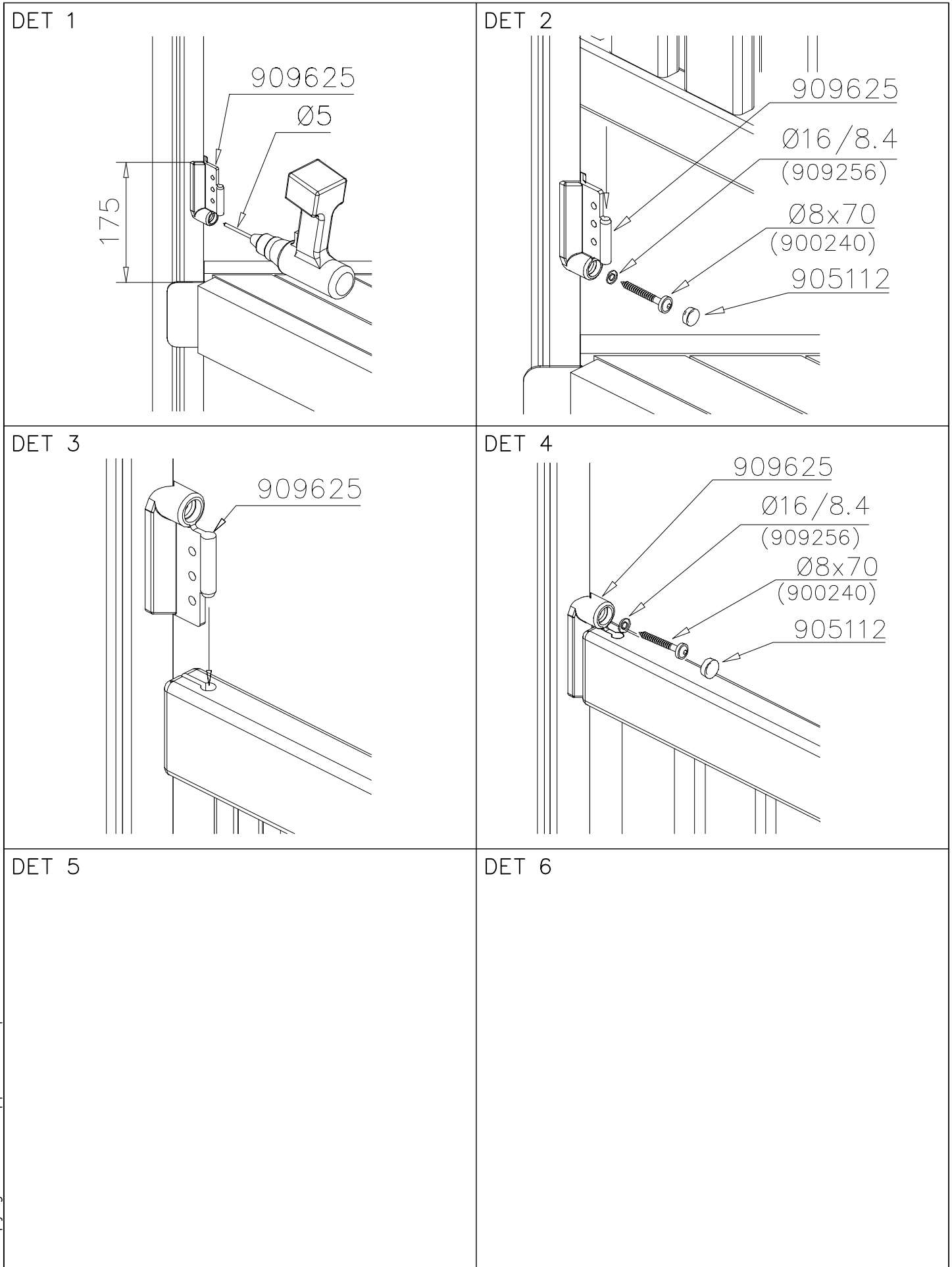
DET 3

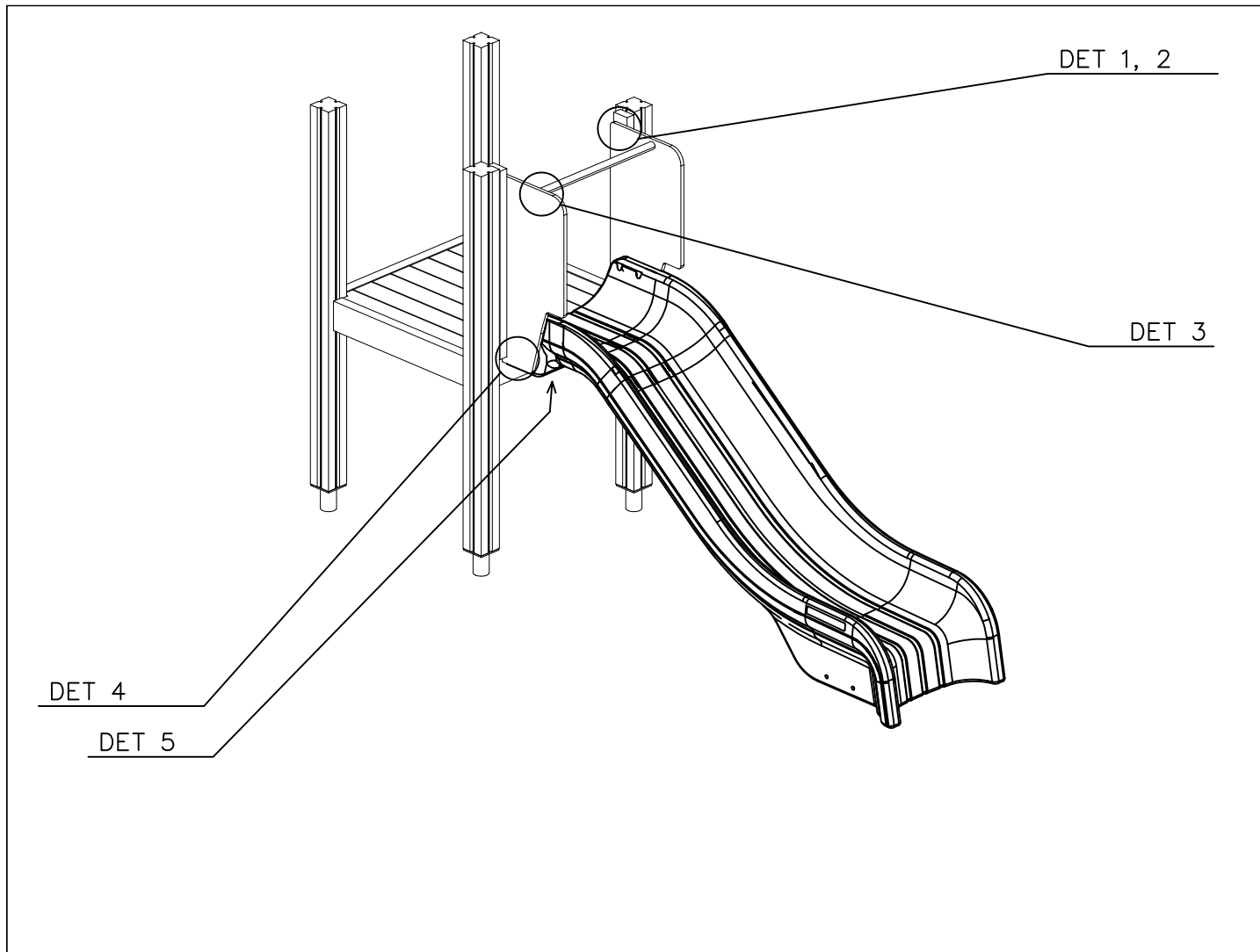




WOODEN WALL OPTIONS

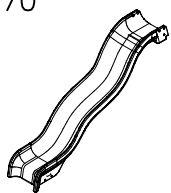
| | | |
|---|------------|-----------|
|  706997 45x640x984 | 706997-605 | DARK GRAY |
| | 706997-606 | GRAY |
| | 706997-607 | RED |
| | 706997-608 | BLUE |
| | 706997-609 | GREEN |
| | 706997-610 | YELLOW |
| | 706997-611 | LIME |
| | 706997-612 | FUXIA |
| | | |
| | | |
| | | |
| | | |





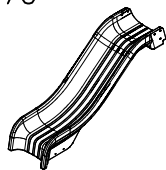
SLIDE PLASTIC

+1470



904451 GRAY

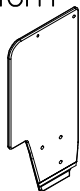
+870



905833 GRAY

WALL OPTIONS

RIGHT



706560-705 LIGHT GRAY

LEFT



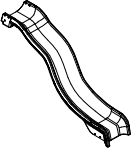
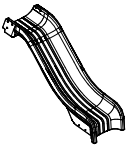
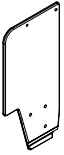


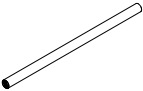
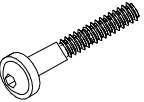
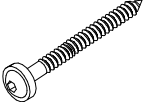
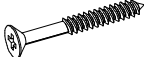
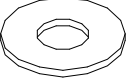
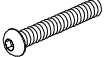
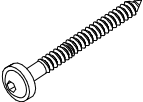

706561-705 LIGHT GRAY

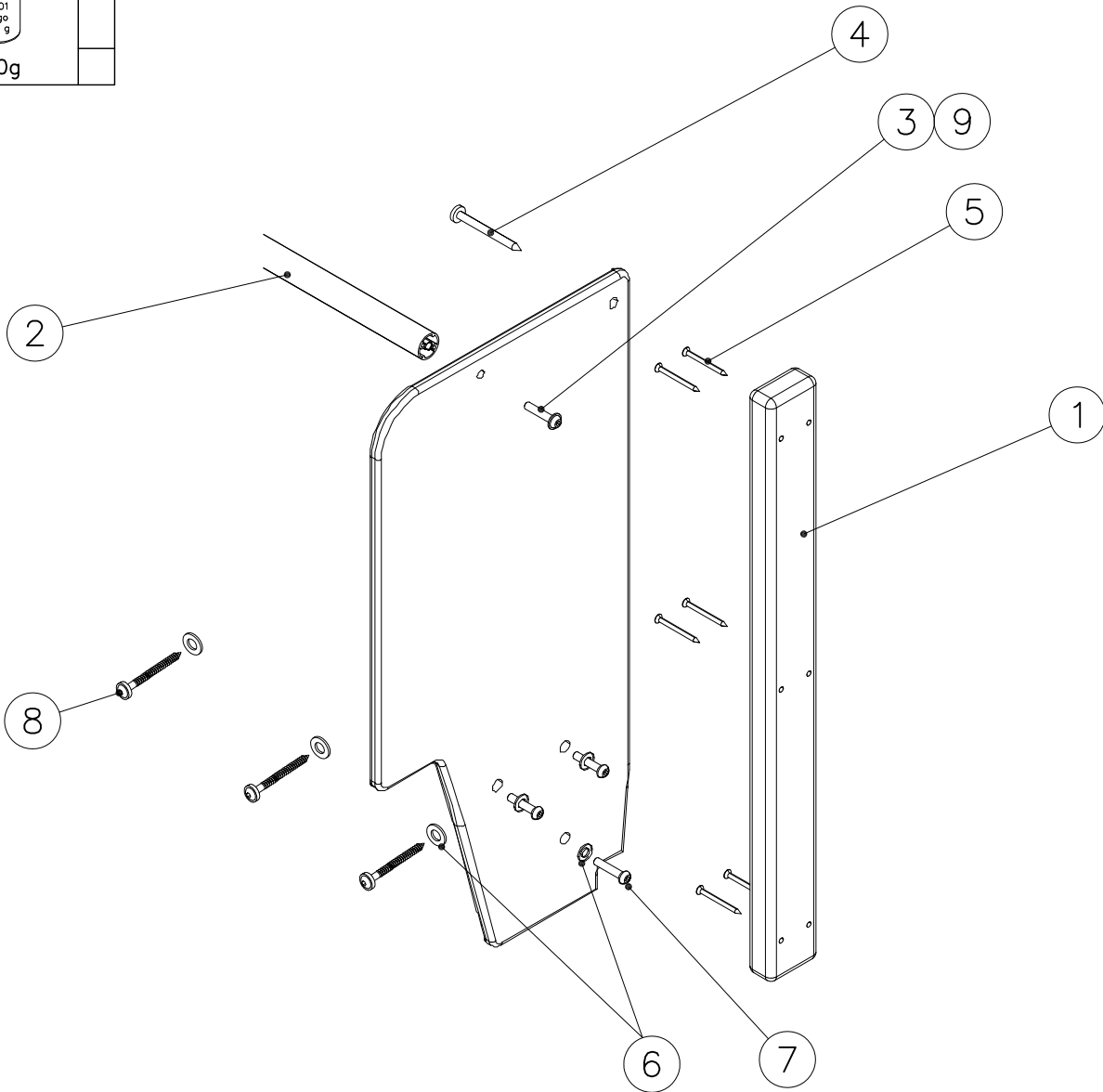
LAPPSET CLOVER

707307

DATE: 3.11.2017

2(3)

| | | | | | | | | | | | |
|---|----------|--|----------|--|-----------|--|----------|--|----------|--|----------|
| ○ SLIDE  +1470 | PCS 1 | ○ SLIDE  +870 | PCS 1 | ○ 706560  RIGHT | PCS 1 | ○ 706561  LEFT | PCS 1 | ① 706505  35x70x730 | PCS 2 | ② 901868  Ø34x598 | PCS 1 |
| ③ 909876  M8x40 | PCS 2 | ④ 903093  Ø8x90 | PCS 2 | ⑤ 980100  Ø5x60 | PCS 12 | ⑥ 980152  Ø24/8.4 | PCS 9 | ⑦ 909852  M8x30 | PCS 6 | ⑧ 900240  Ø8x70 | PCS 3 |
| ⑨ 999561  10g | PCS 1 | | | | | | | | | | |



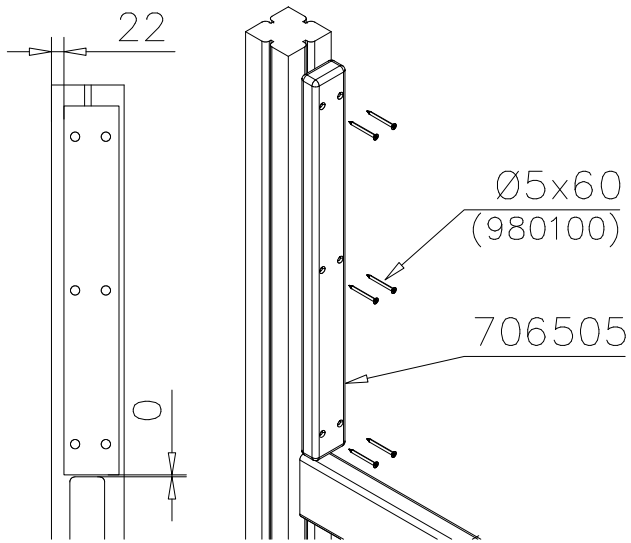
LAPPSET CLOVER

707307

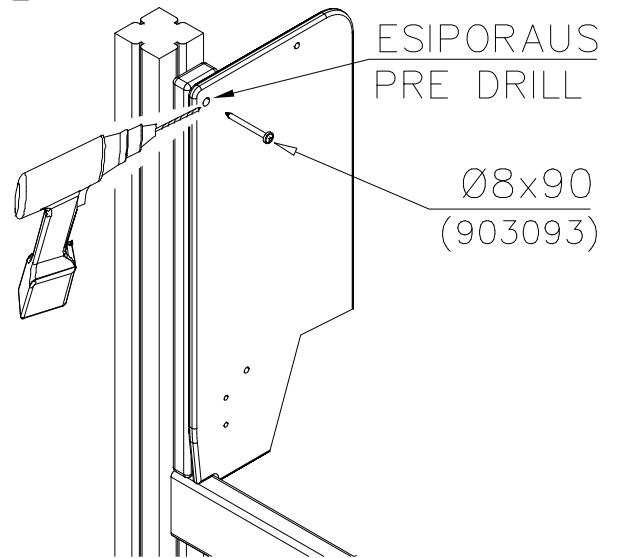
DATE: 3.11.2017

3(3)

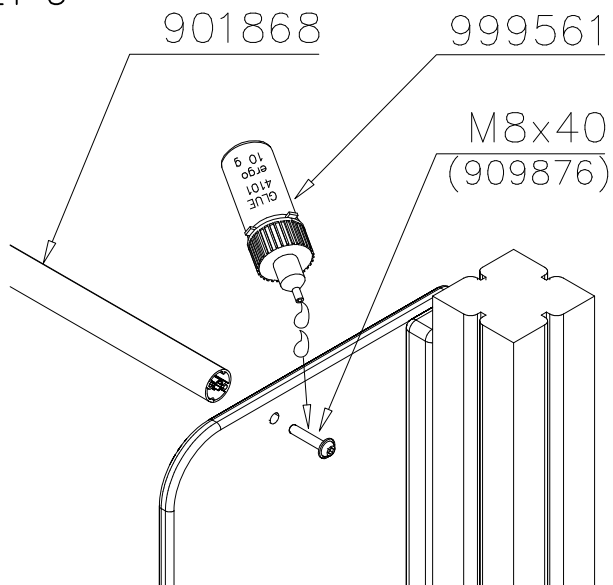
DET 1



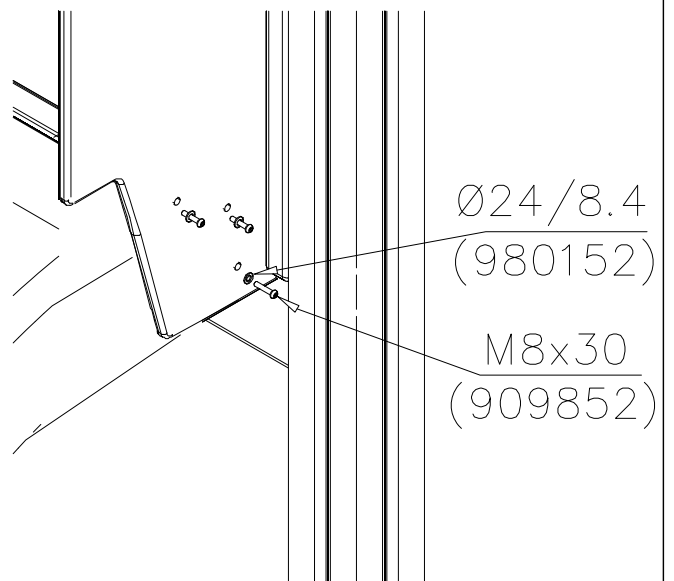
DET 2



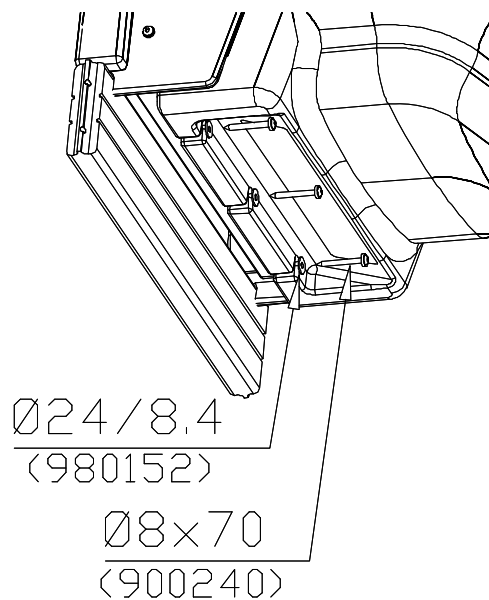
DET 3

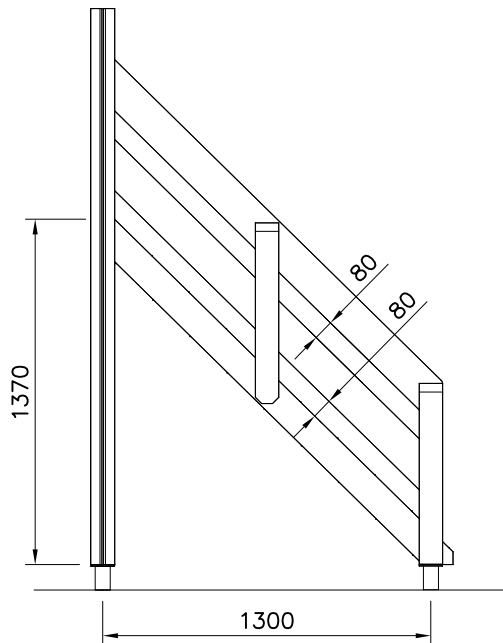
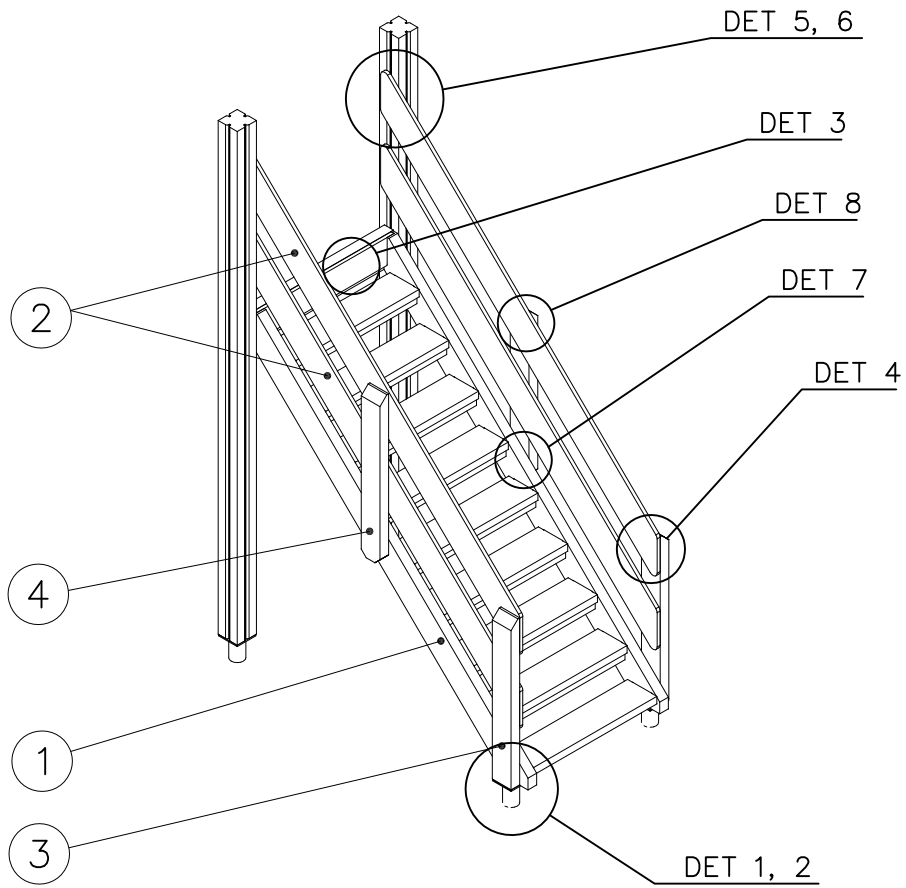


DET 4

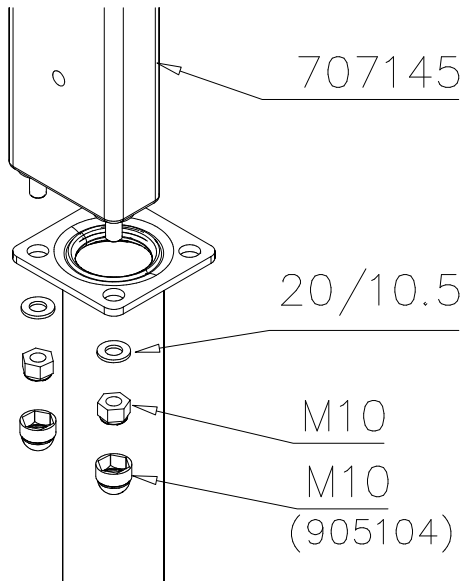


DET 5





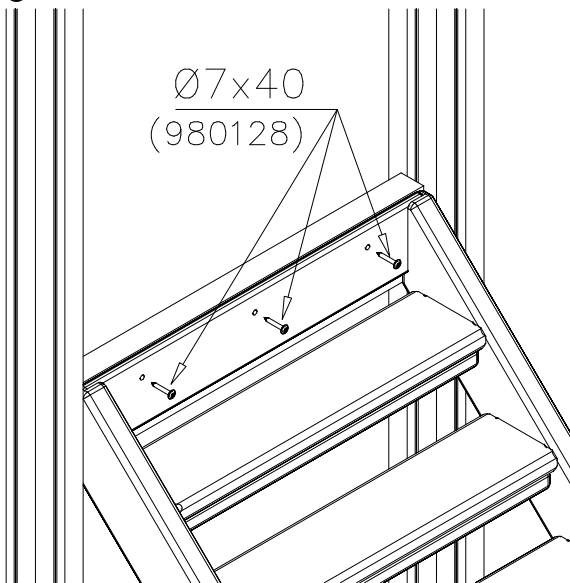
DET 1



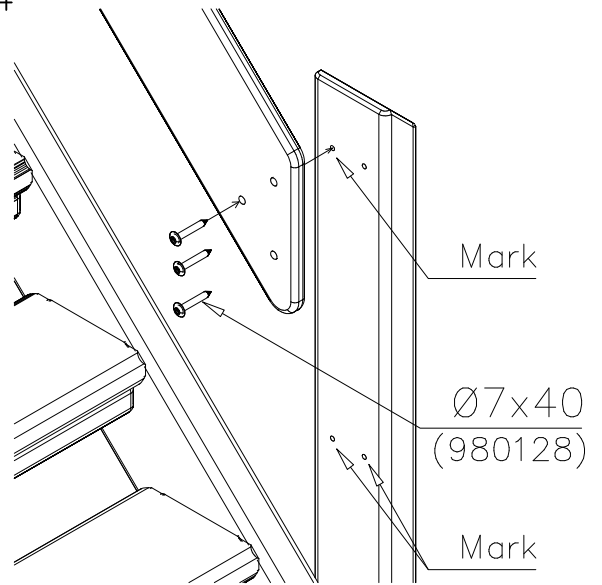
DET 2



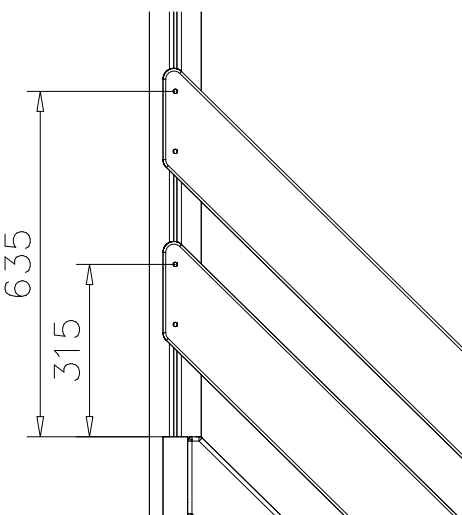
DET 3



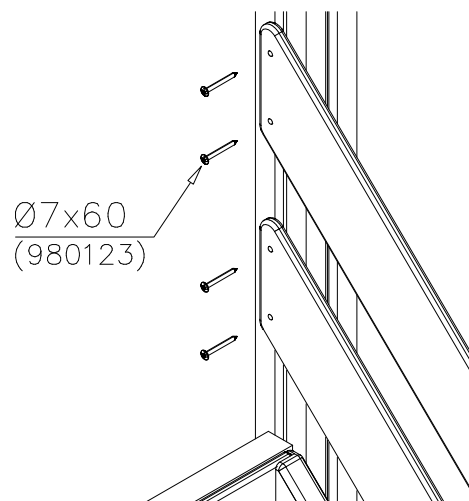
DET 4

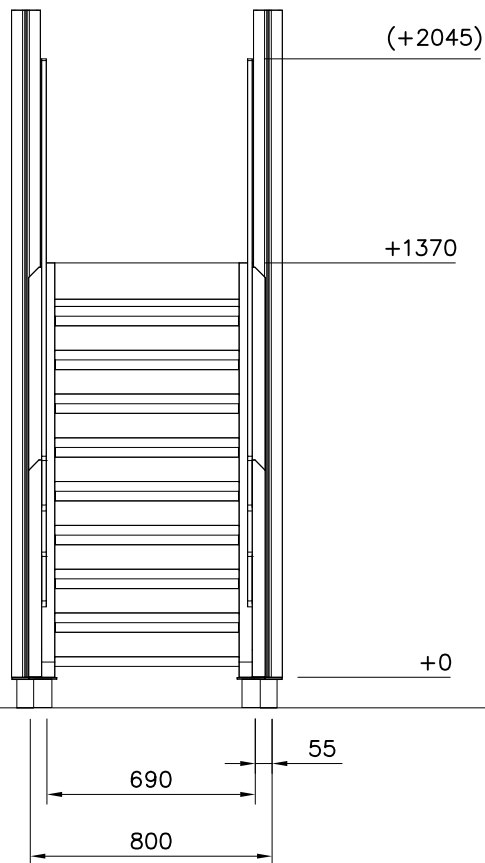
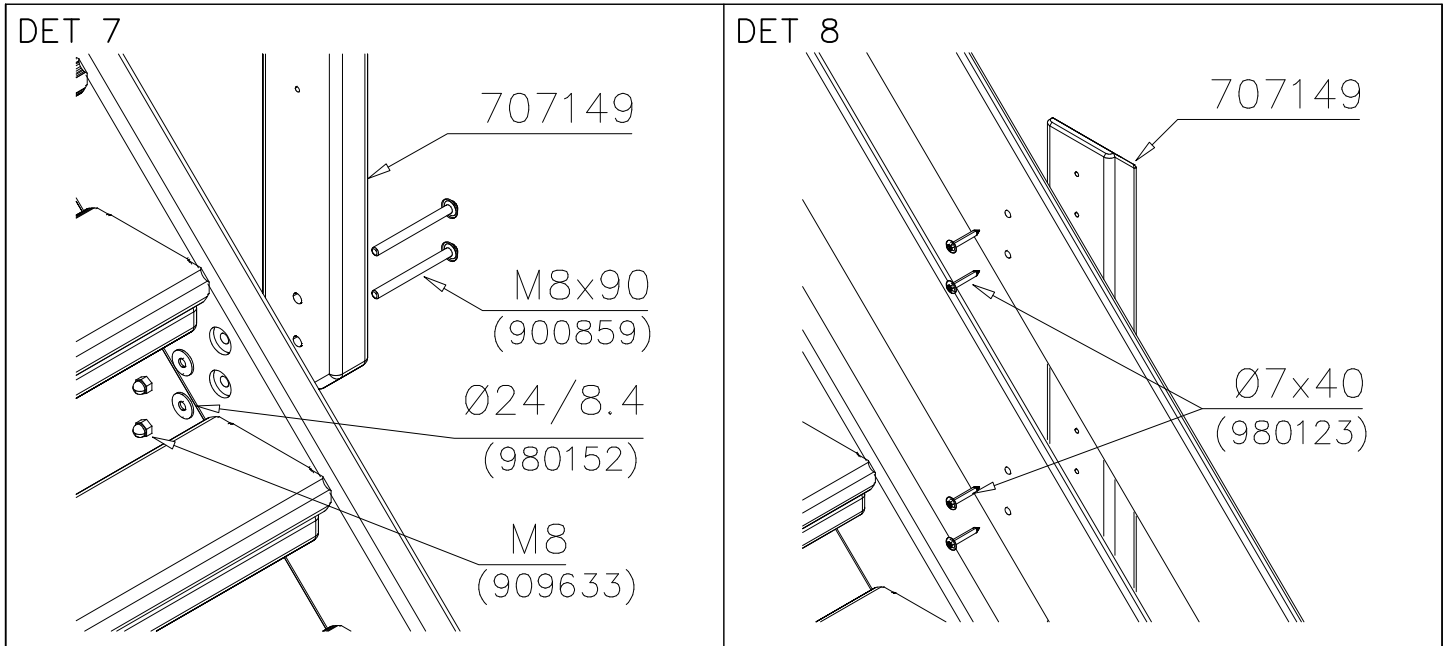


DET 5




DET 6






STAIRS OPTIONS +1470


| | |
|---|--|
| 707192  | 707192-602 DARK BROWN 707192-603 LIGHT BROWN 707192-604 LIGHT GRAY |
|---|--|

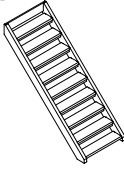



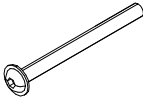
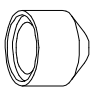
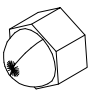


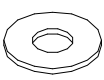
RAILING OPTIONS

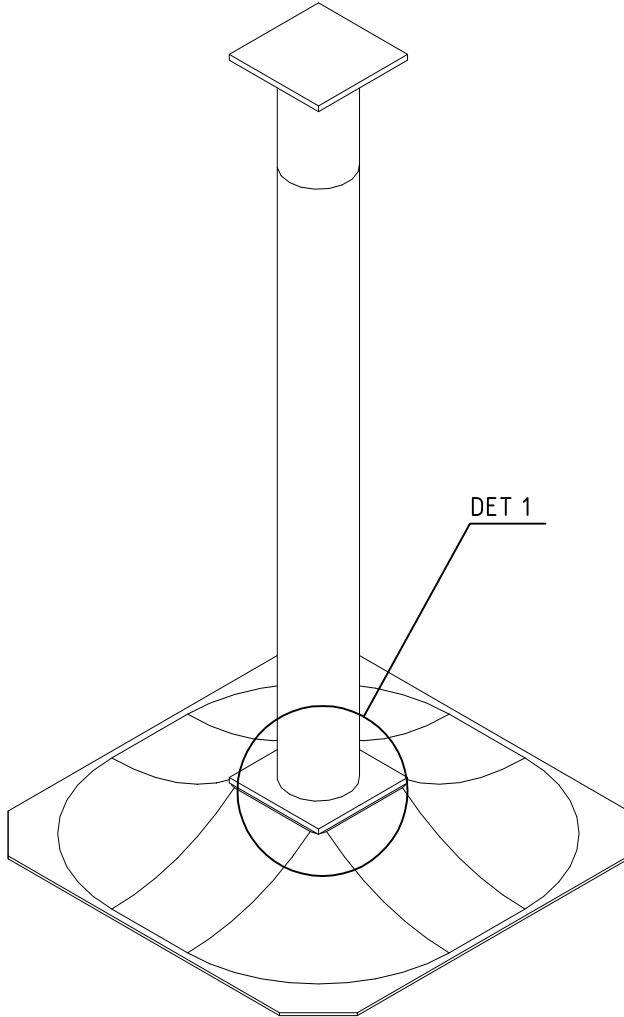
| | | |
|---|--|--------------------------------------|
| RAILS 707152  15x145x2009 | 707152-701 BLUE 707152-702 YELLOW 707152-703 LIME 707152-704 DARK GRAY 707152-705 LIGHT GRAY 707152-706 RED | 707152-707 GREEN 707152-708 FUXIA |
|---|--|--------------------------------------|


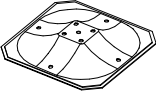


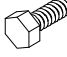
| | |
|---|--|
| POST 707145  43x93x717 | 707145-602 DARK BROWN 707145-603 LIGHT BROWN 707145-604 LIGHT GRAY |
|---|--|

POST OPTIONS

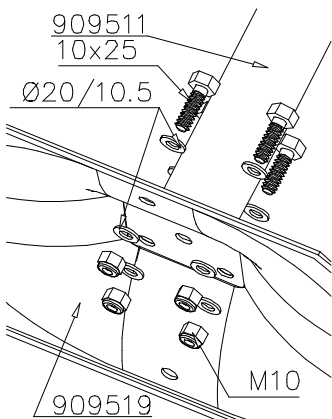
| | |
|--|--|
| POST 707149  43x93x717 | 707149-602 DARK BROWN 707149-603 LIGHT BROWN 707149-604 LIGHT GRAY |
|--|--|

| | | | | | | | | | | | |
|--|----------|--|----------|--|-----------|---|----------|--|----------|--|----------|
| ① 707192  +1470 | PCS 1 | ② 707152  15x145x2009 | PCS 4 | ③ 707145  43x93x717 | PCS 2 | ④ 707149  43x93x717 | PCS 2 | ⑤ 900859  M8x90 | PCS 6 | ⑥ 905104  M10 | PCS 4 |
| ⑦ 909633  M8 | PCS 6 | ⑧ 980123  Ø7x60 | PCS 8 | ⑨ 980128  Ø7x40 | PCS 23 | ⑩ 980152  Ø24/8.4x2 | PCS 6 | | PCS | | PCS |



| | | | | | |
|---|---|-----|---|---|-----|
| ① | 909511 | PCS | ② | 909519 | PCS |
| |  | 1 | |  | 1 |
| ③ | 909637 | PCS | ④ | 909638 | PCS |
| |  | 4 | |  | 8 |
| | M10 | | | Ø20/10.5 | |
| ⑤ | 909639 | PCS | | | PCS |
| |  | 4 | | | |
| | M10x25 | | | | |
| | | PCS | | | PCS |
| | | | | | |
| | | PCS | | | PCS |
| | | | | | |
| | | PCS | | | PCS |
| | | | | | |
| | | PCS | | | PCS |
| | | | | | |
| | | PCS | | | PCS |
| | | | | | |

DET 1





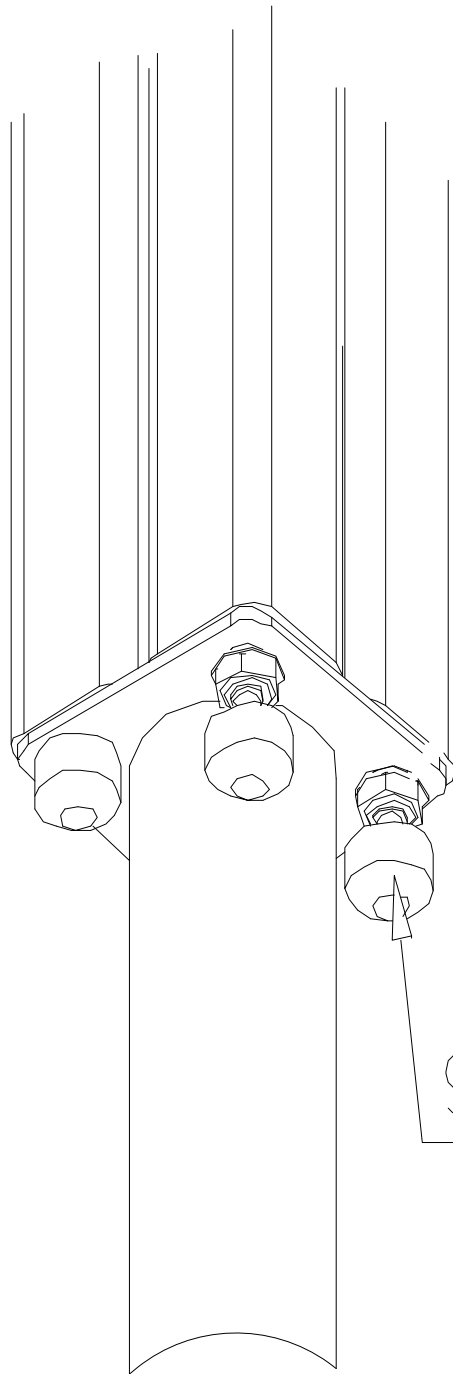
LAPPSET®
BETON FOUNDATION

FOOT

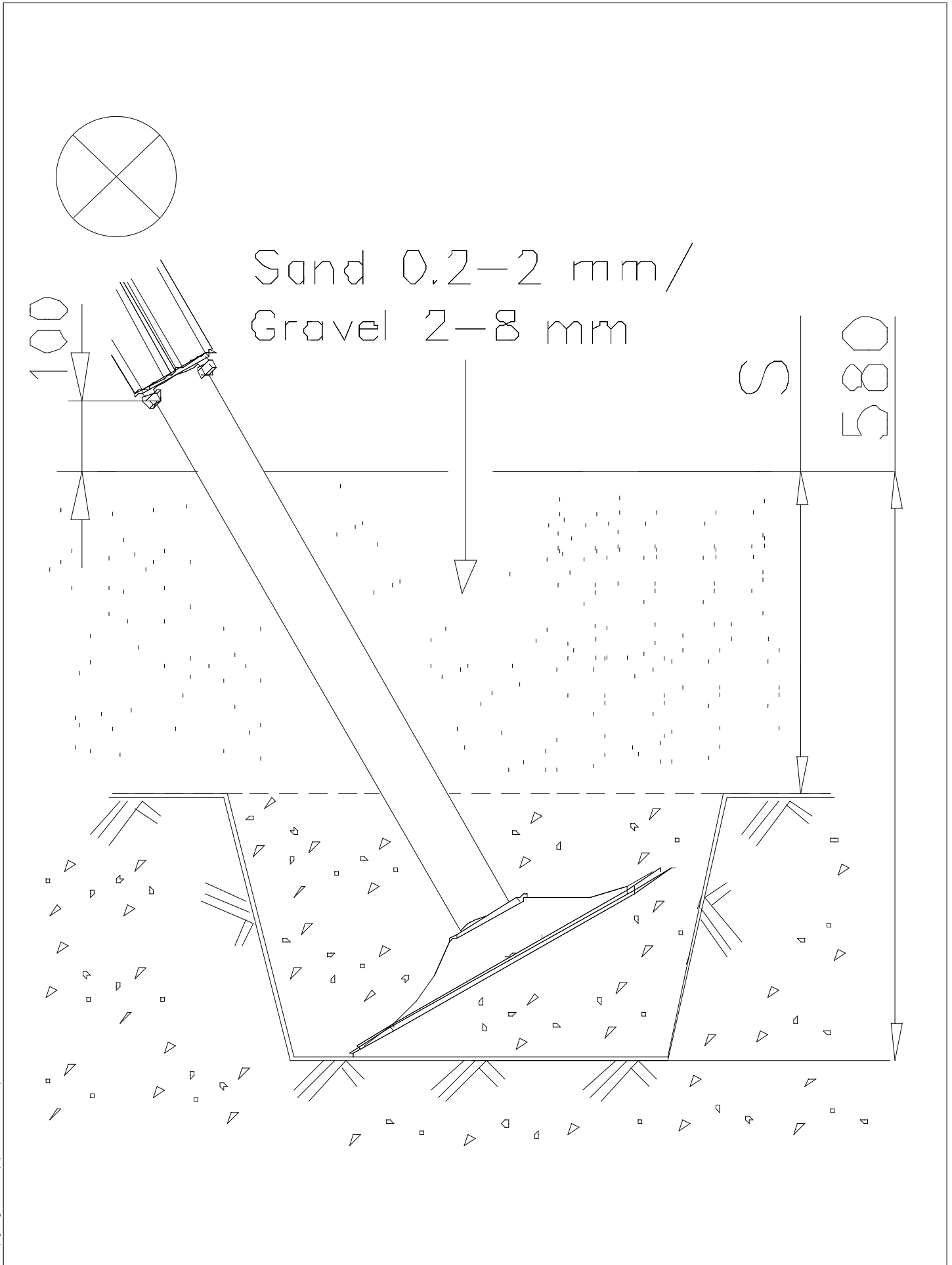
DATE: 27.10.2015

1(1)

| | | | |
|--|-----|--|-----|
| ② 905104 | PCS | | PCS |
| | 4 | | |
|  M10 | PCS | | PCS |
| | | | |



905104





Tuotekyltti tulee tuotteen mukana yhdellä seuraavista tavoista:

1) Metallinen tuotekyltti ja kiinnitysruuvit

- Kiinnitä tuotekyltti ruuveilla tolppaan noin 2 metrin korkeuteen kuvan 1 mukaisesti.

2) Tuotekyltitarra

- Puhdista maalattu metalli- tai vaneripinta pölystä ja kosteudesta. Liimaa tarra kuvan 2 mukaisesti.
- Huom. Älä kiinnitä tarraa karheapintaiseen laminaattiin tai maalattuun puuhun.

Vår produktmärkning levereras på ett av följande sätt:

1) Produktskylt i metall

- Fäst skylten med de medföljande skruvarna

2) Självhäftande produktetikett

- Rengör den pulverlackerade metallytan eller laminatyten så att den blir fri från smuts och fukt. Fäst etiketten enligt fig. 2.
- Obs! Fäst ej etiketten på detaljer med skrovlig yta eller på målat trä.

Product label is delivered by one of following ways:

1) Metal product label and screws

- Fasten the label with screws.

2) Label sticker

- Clean the painted metal or plywood surface from dirt and moisture. Fasten the sticker as shown in the figure 2.
- Note. Do not attach the sticker to rough surfaced laminate or painted wood.

La plaque d'informations produit est livrée sous l'une de ces 3 formes :

1) Plaque métallique et vis

- Fixez la plaque à l'aide des vis.

2) Etiquette autocollante

- Avant de coller l'étiquette, nettoyez le composant métallique peint ou la plaque de contreplaqué, de toute saleté. La surface doit être sèche (voir image 2).
- Attention, ne pas coller l'étiquette sur une surface lamellé-collée irrégulière ou sur du bois peint.

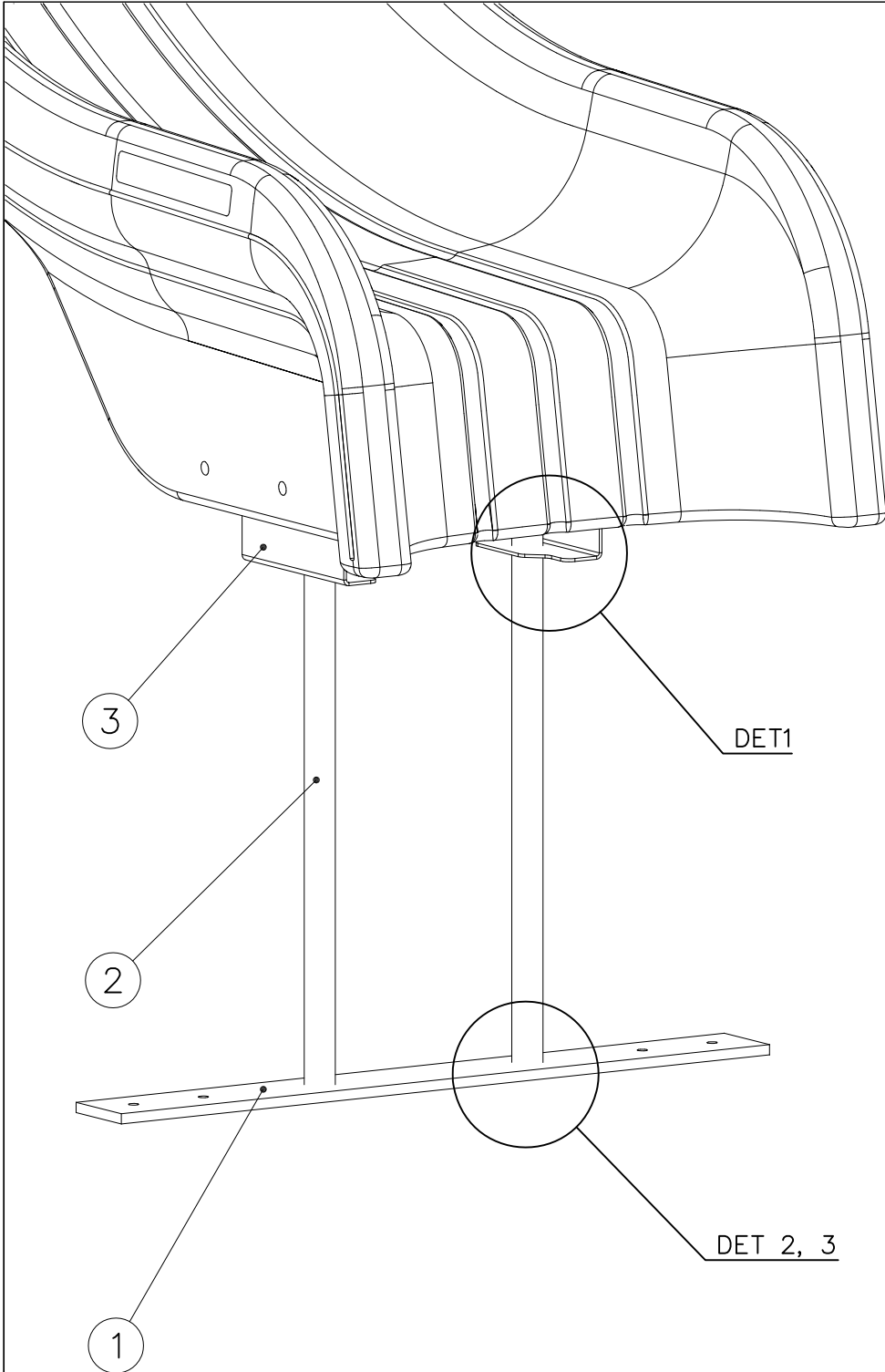
Die Auslieferung des Produktaufklebers erfolgt auf eine dieser Arten:

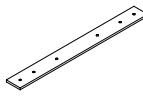
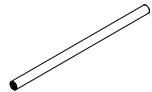
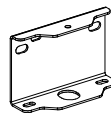


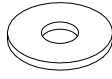
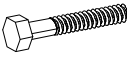

1) Produkt-Schild aus Metall incl. Schrauben

- Die Befestigung des Schildes erfolgt mittels der Schrauben.

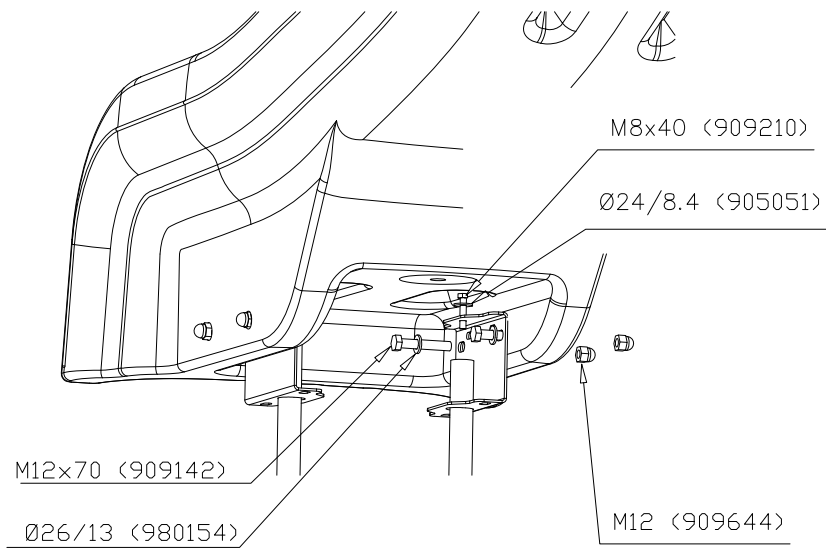
2) Aufkleber

- Entfernen Sie zunächst Schmutz und Feuchtigkeit vom lackierten Metall bzw. von der Holzoberfläche und bringen Sie den Aufkleber wie im Bild oben rechts beschrieben auf den gesäuberten Untergrund auf.
- Beachten Sie: Bringen Sie den Aufkleber nicht auf raues laminiertes oder lackiertes Holz an.

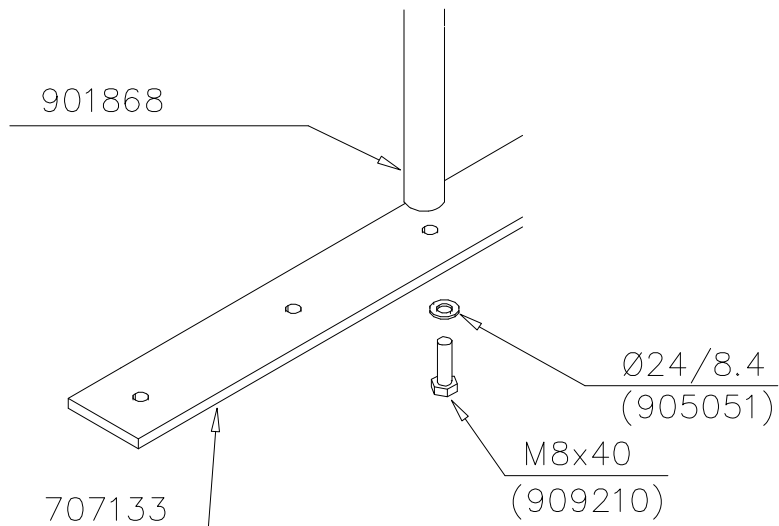


| | | | |
|---|-----|---|-----|
| ① 707133 | PCS | ② 901868 | PCS |
|  | 1 |  | 2 |
| 10x80x745 | | Ø30x598 | |
| ③ 908021 | PCS | ④ 909210 | PCS |
|  | 2 |  | 4 |
| | | M8x40 | |
| ⑤ 980154 | PCS | ⑥ 905051 | PCS |
|  | 4 |  | 4 |
| Ø24/13 | | Ø24/8.4 | |
| ⑦ 909142 | PCS | ⑧ 909644 | PCS |
|  | 4 |  | 4 |
| M12x70 | | M12 | |
| | PCS | | PCS |
| | | | |
| | PCS | | PCS |
| | | | |
| | PCS | | PCS |
| | | | |
| | PCS | | PCS |
| | | | |

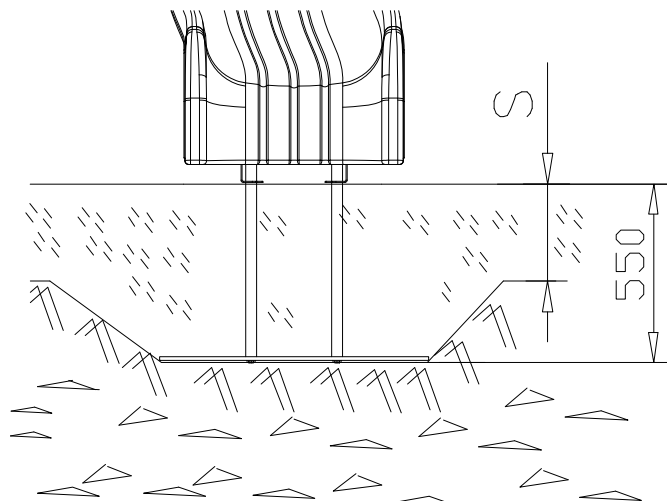
DET 1

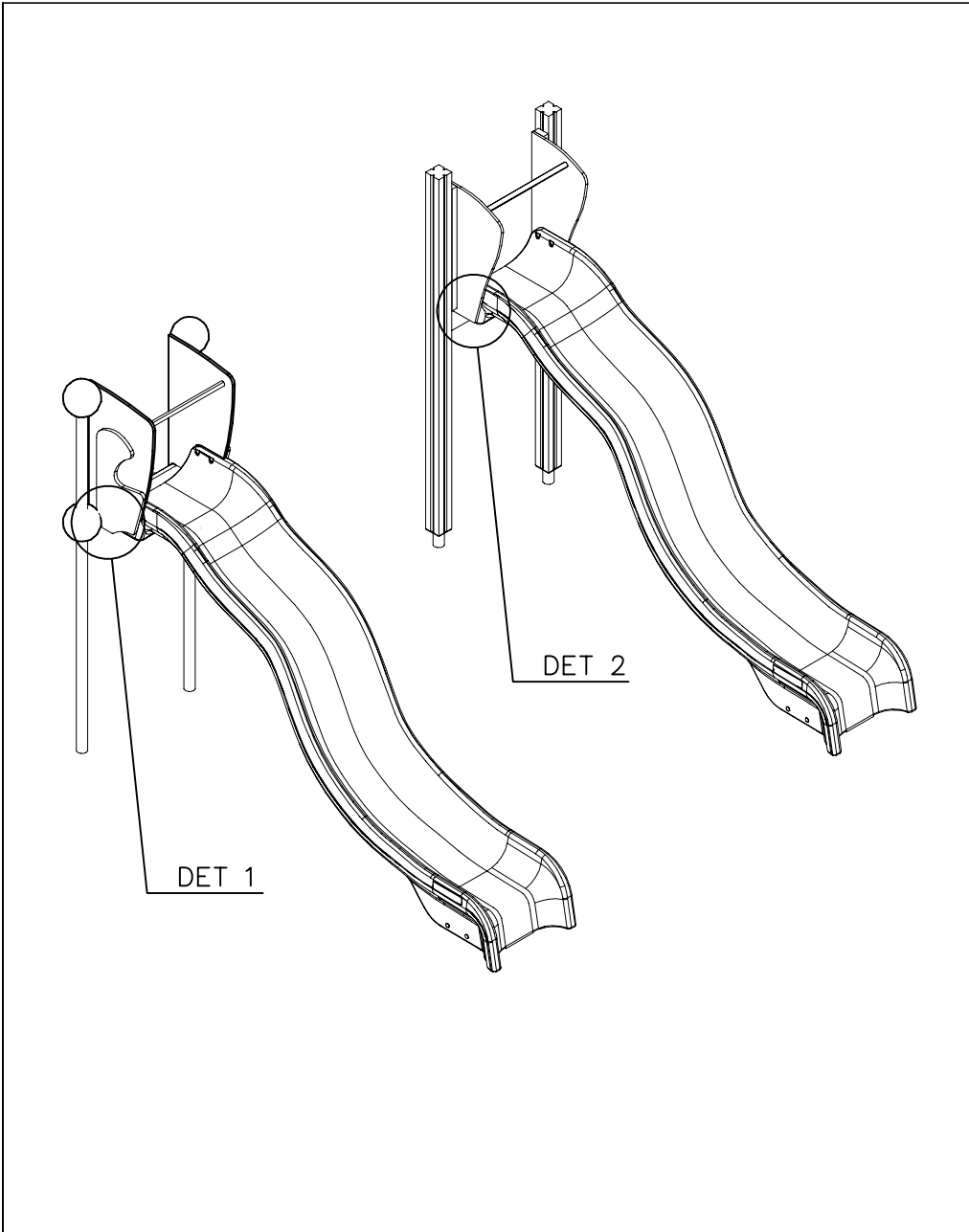


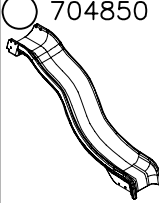
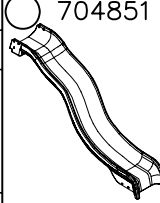
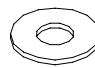
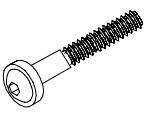
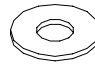
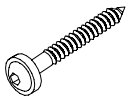
DET 2

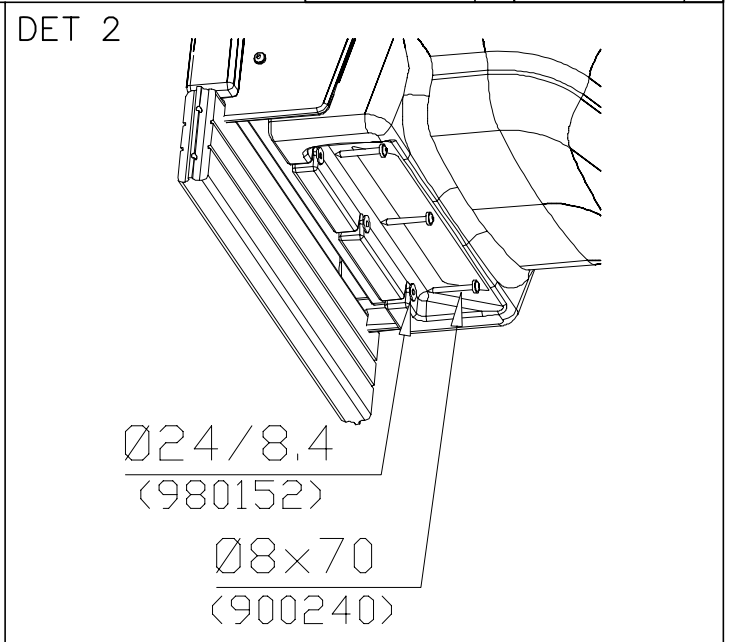
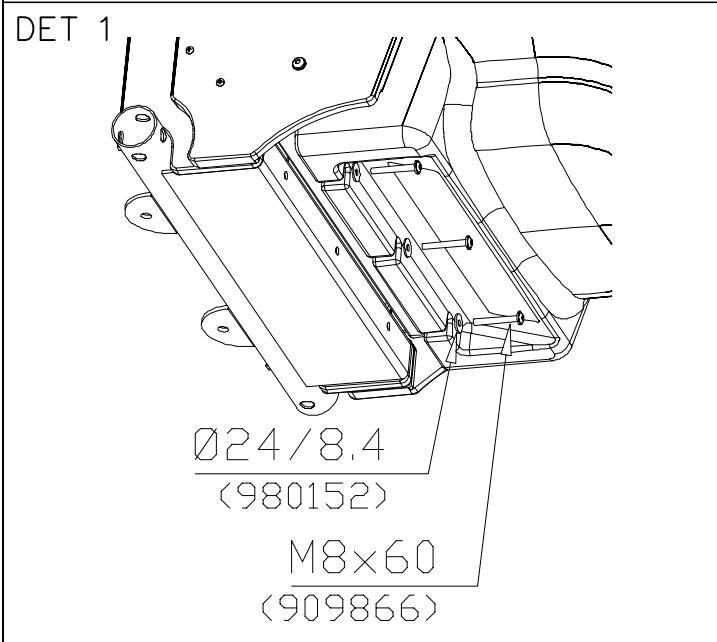


DET 3





| | | | |
|--|----------|--|----------|
|  704850 GRAY | PCS 1 |  704851 YELLOW | PCS 1 |
| | PCS | | PCS |
|  980152 Ø24/8.4 | PCS 3 |  909866 M8x60 | PCS 3 |
| OR | | | |
|  980152 Ø24/8.4 | PCS 3 |  900240 Ø8x70 | PCS 3 |
| | PCS | | PCS |



LAPPSET CLOXX & FINNO

SLIDE

11.7.2012

2(2)

