

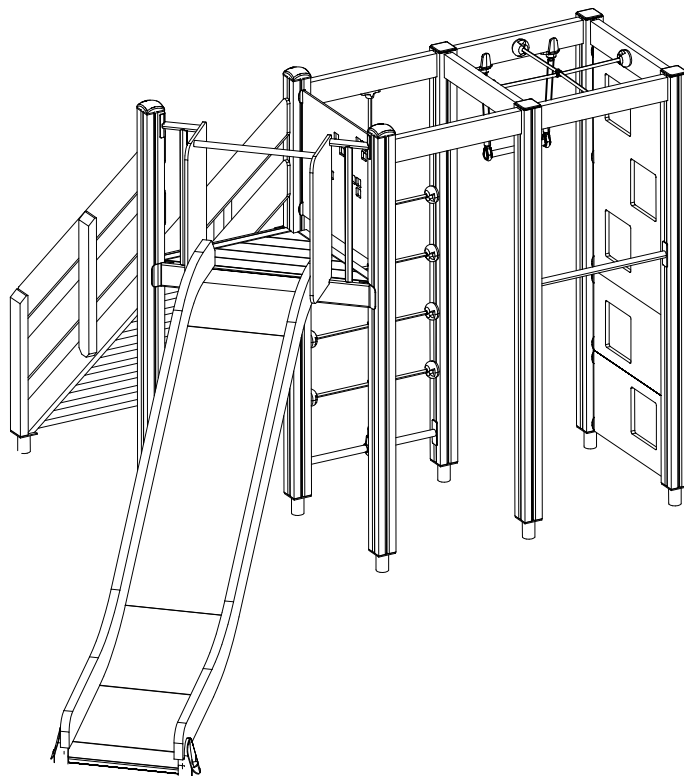
# LAPPSET®

## FINNO

ASENNUSOHJE  
MONTERINGSANSVISNING  
INSTALLATION INSTRUCTION  
AUFBAUANLEITUNG  
NOTICE D'INSTALLATION

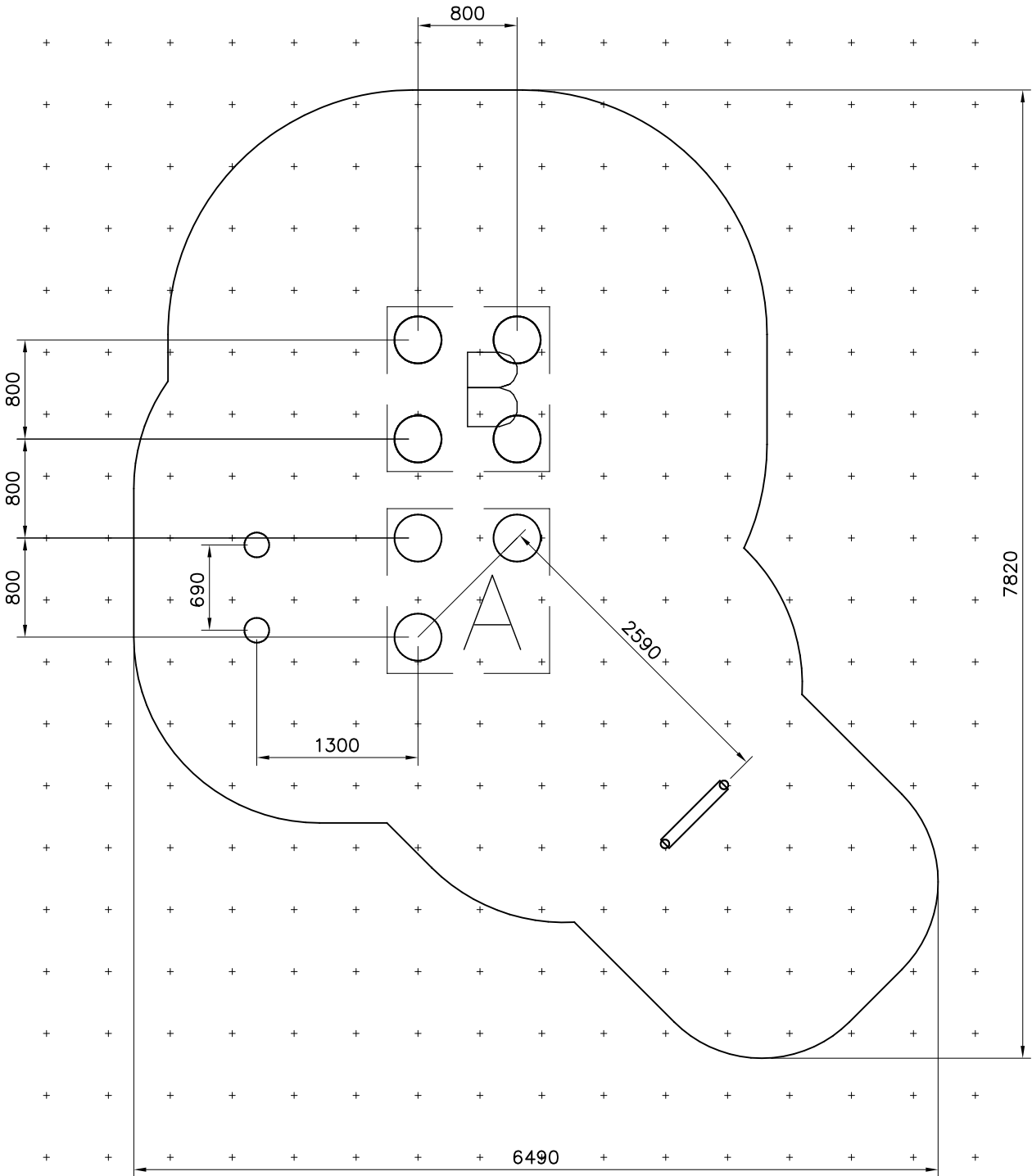
DATE: 29.8.2016

### 137115M

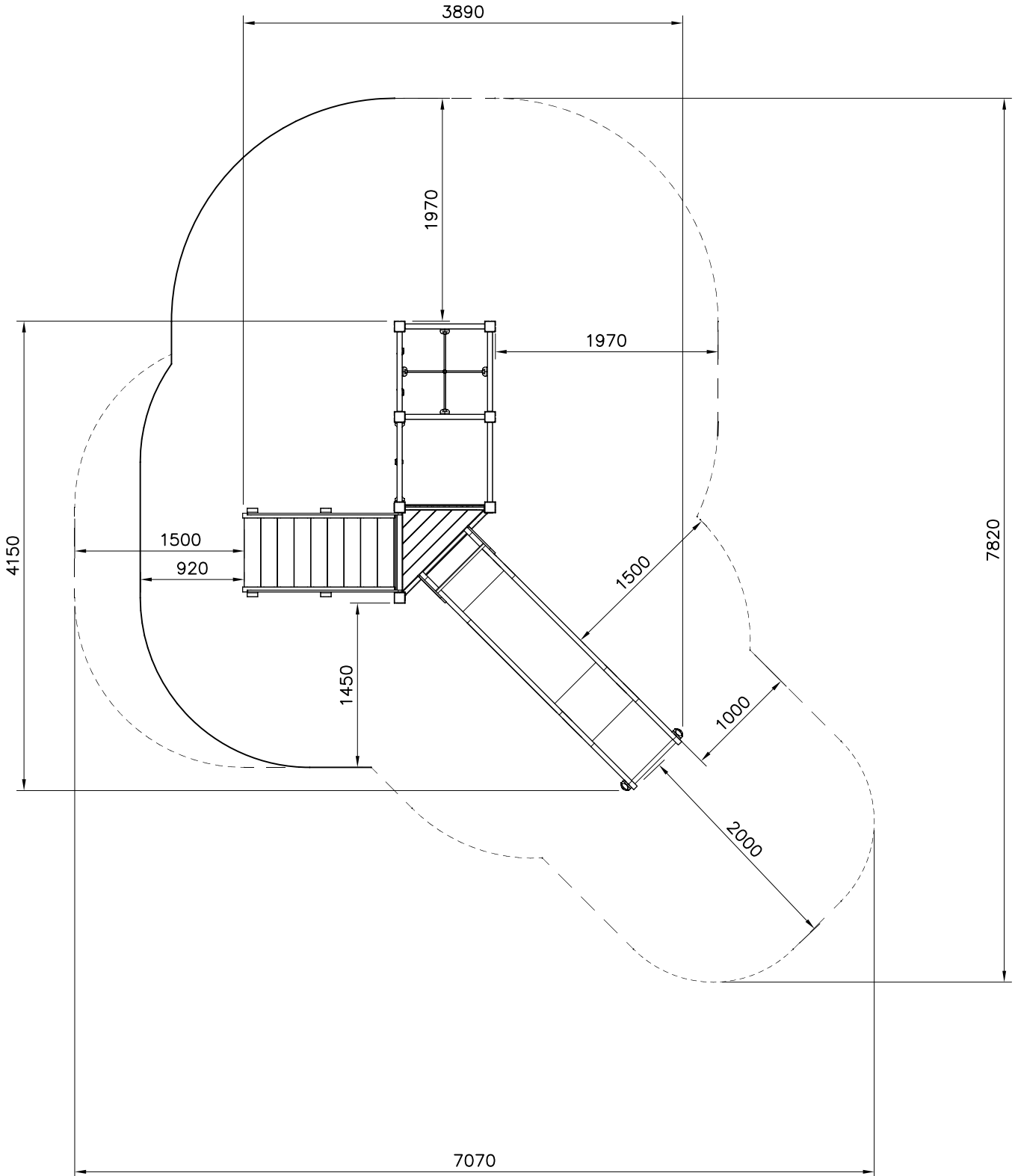
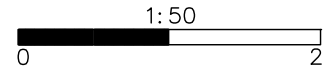


EN/AS Impact Area 33.6 m<sup>2</sup>  
Grid size = 500 mm

1:50



— EN/AS Impact Area 33.6 m<sup>2</sup>  
- - - Falling Space 35.4 m<sup>2</sup>  
Max Falling Height 2210 mm

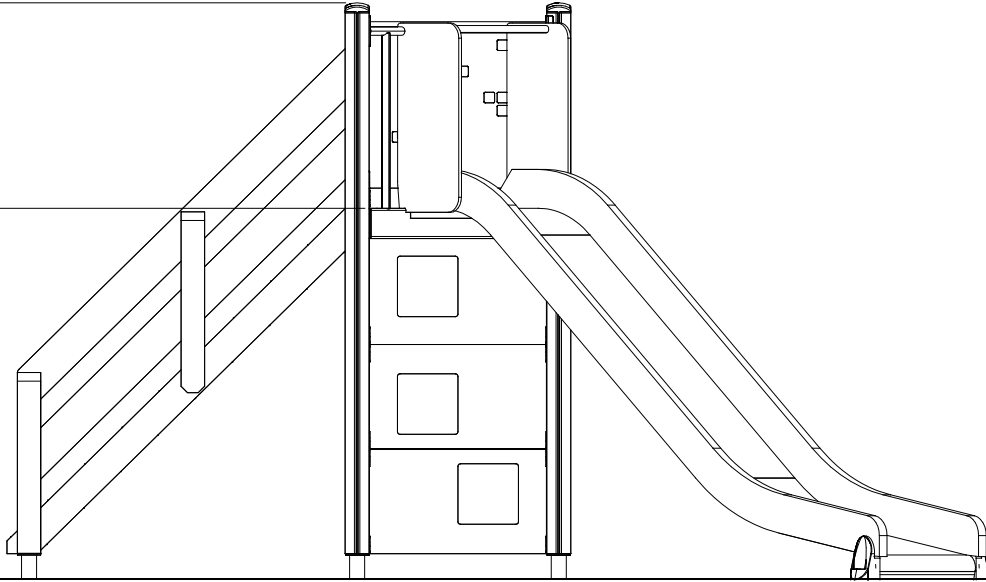


1:30

+2290

+1470

+0



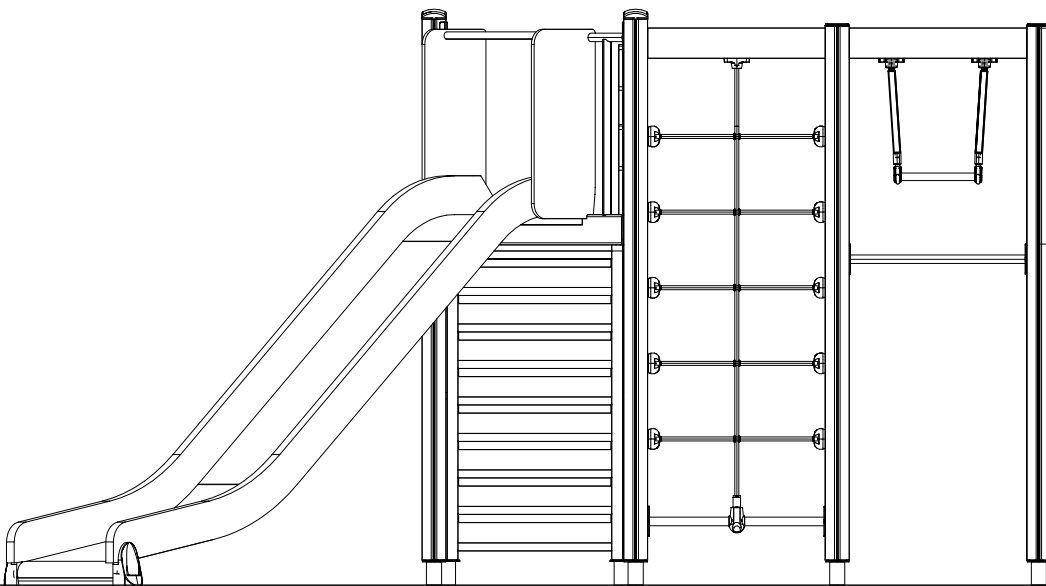
1:30

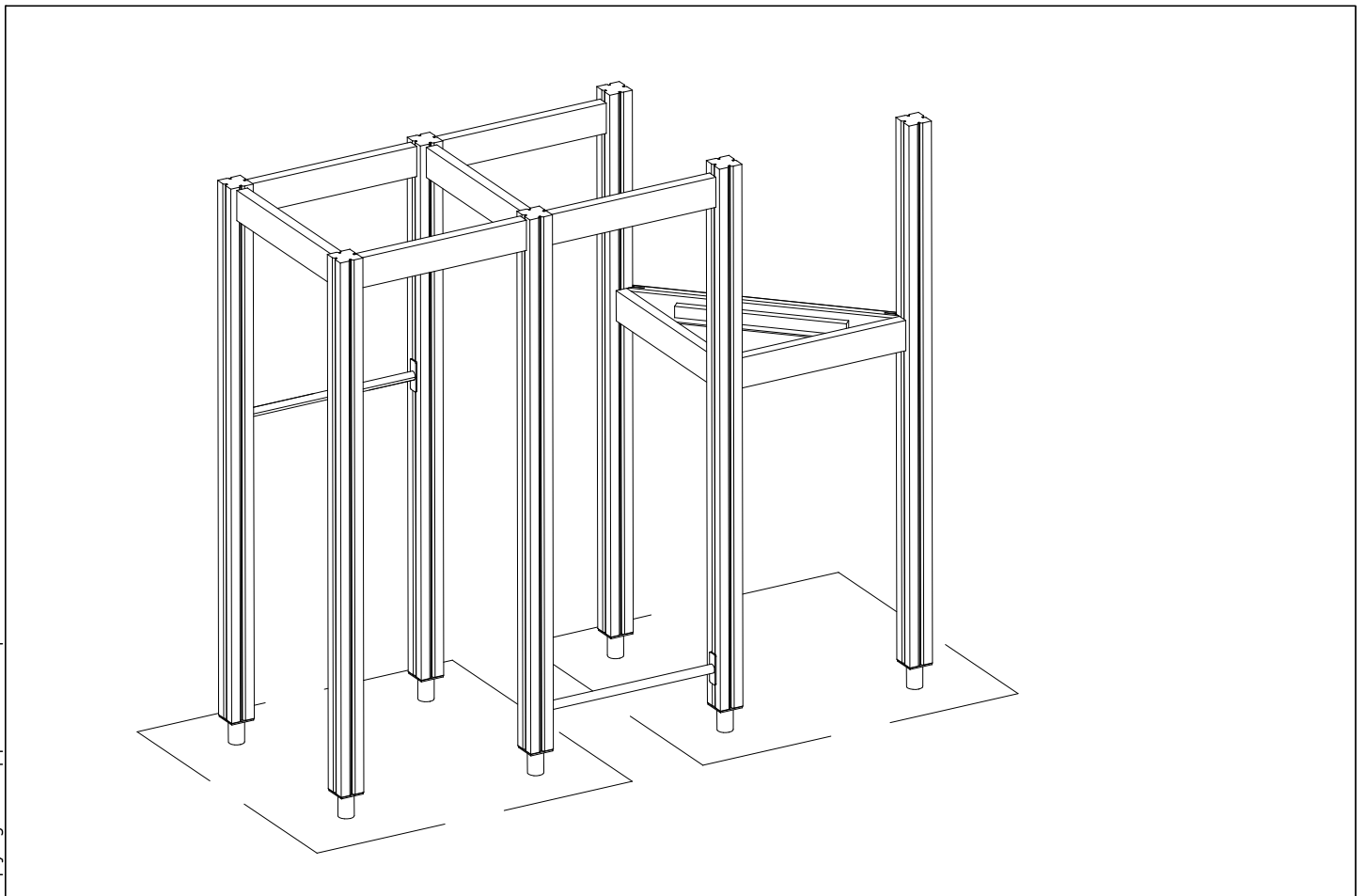
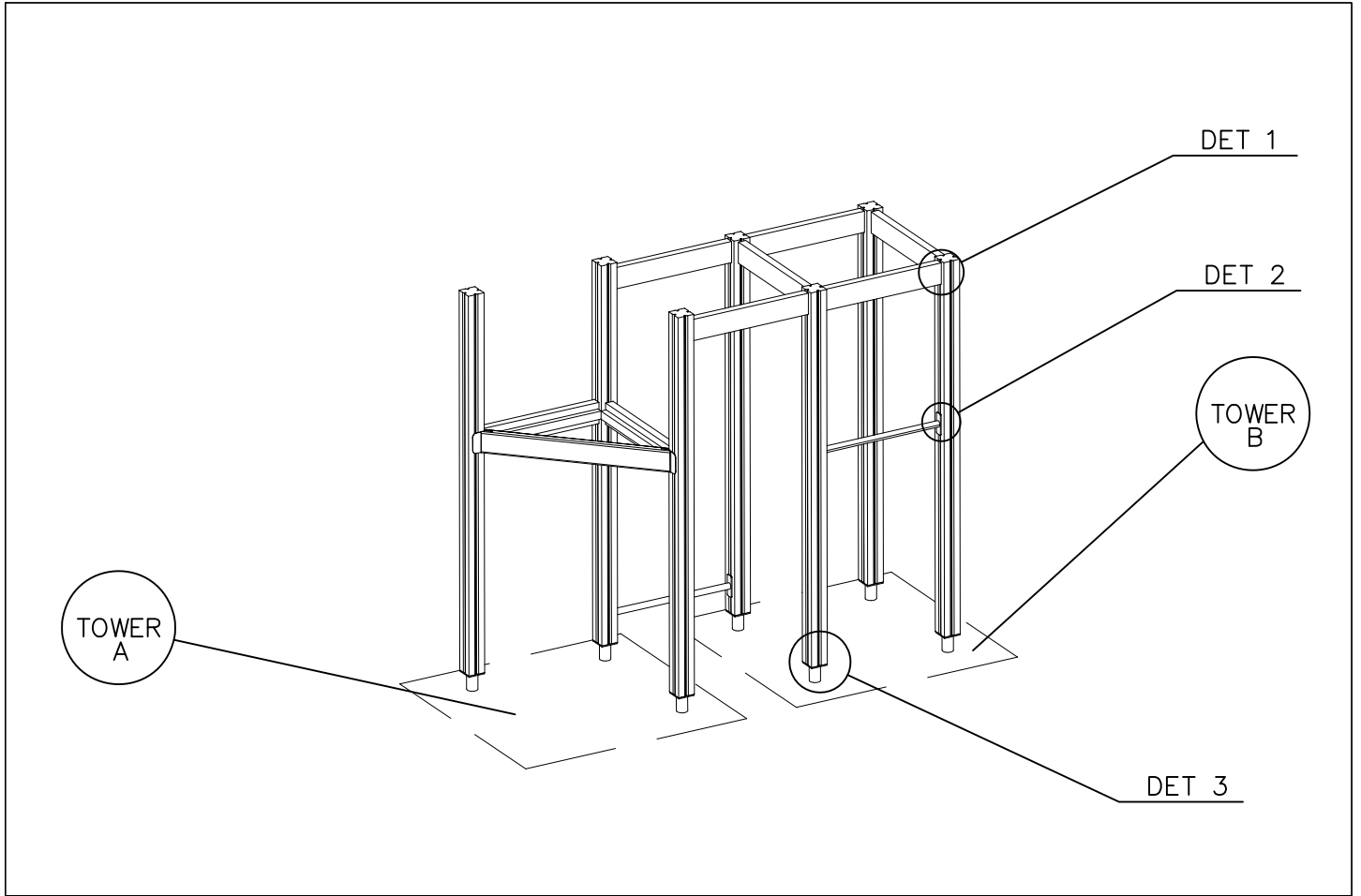
+2230

+2210

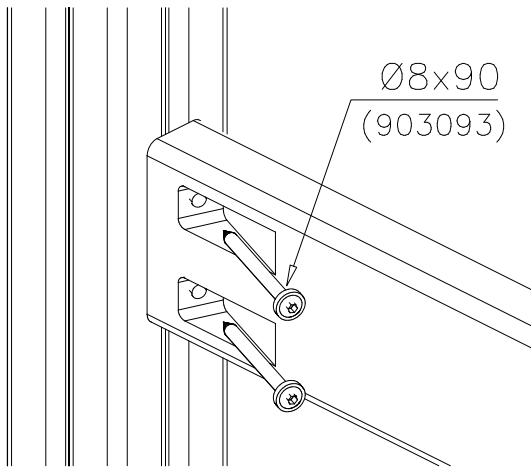
+1350

+0

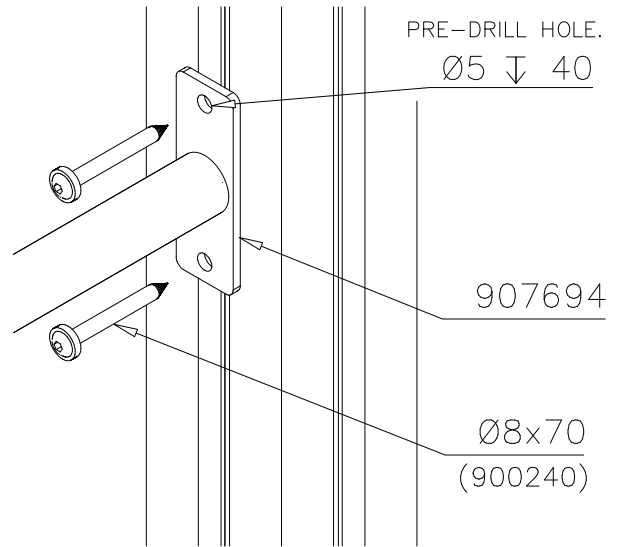




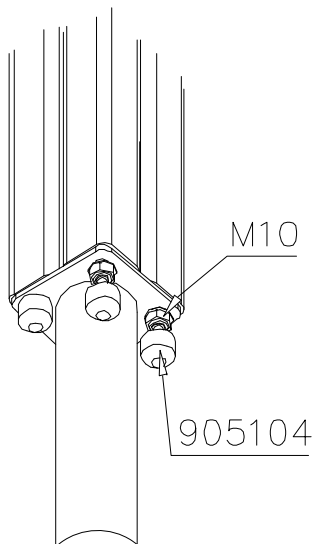
DET 1



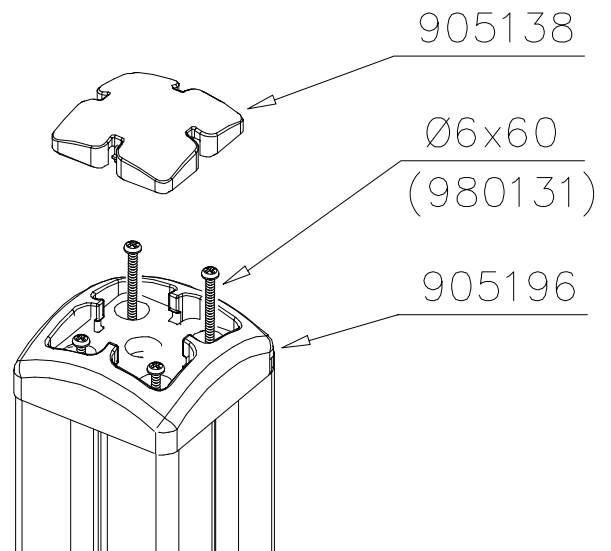
DET 2



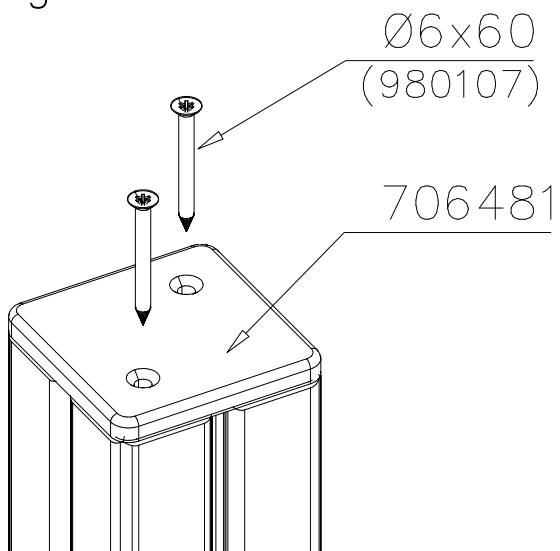
DET 3

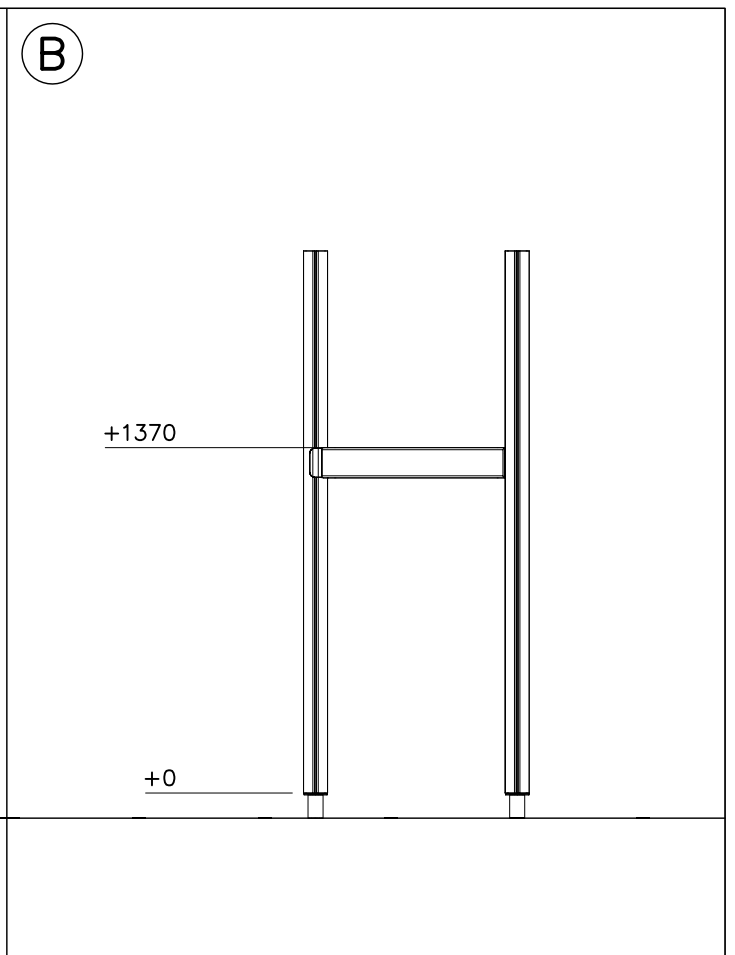
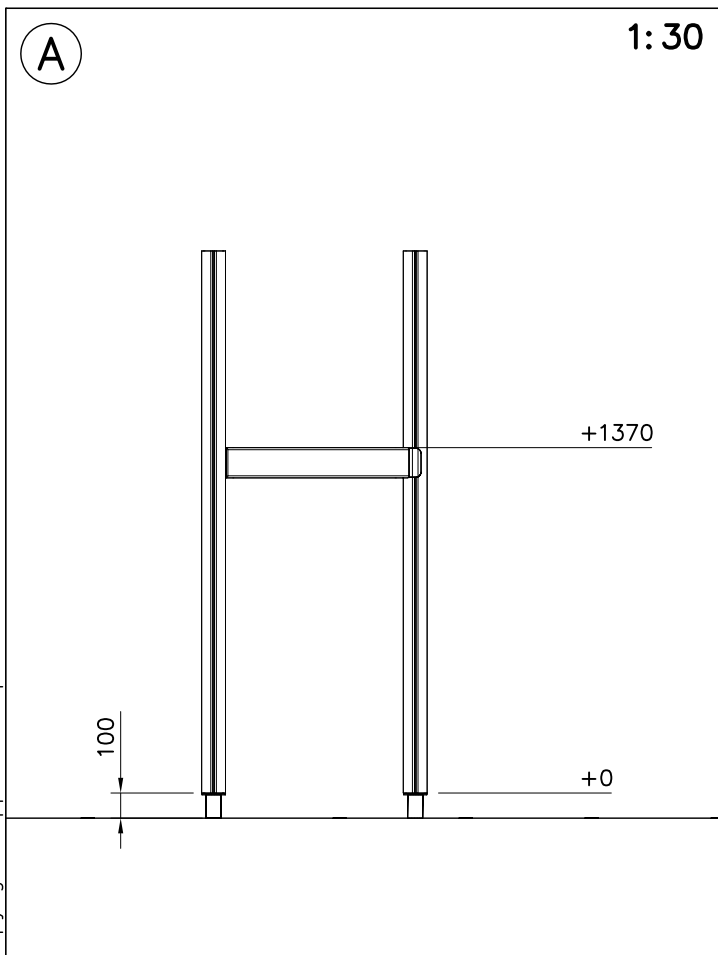
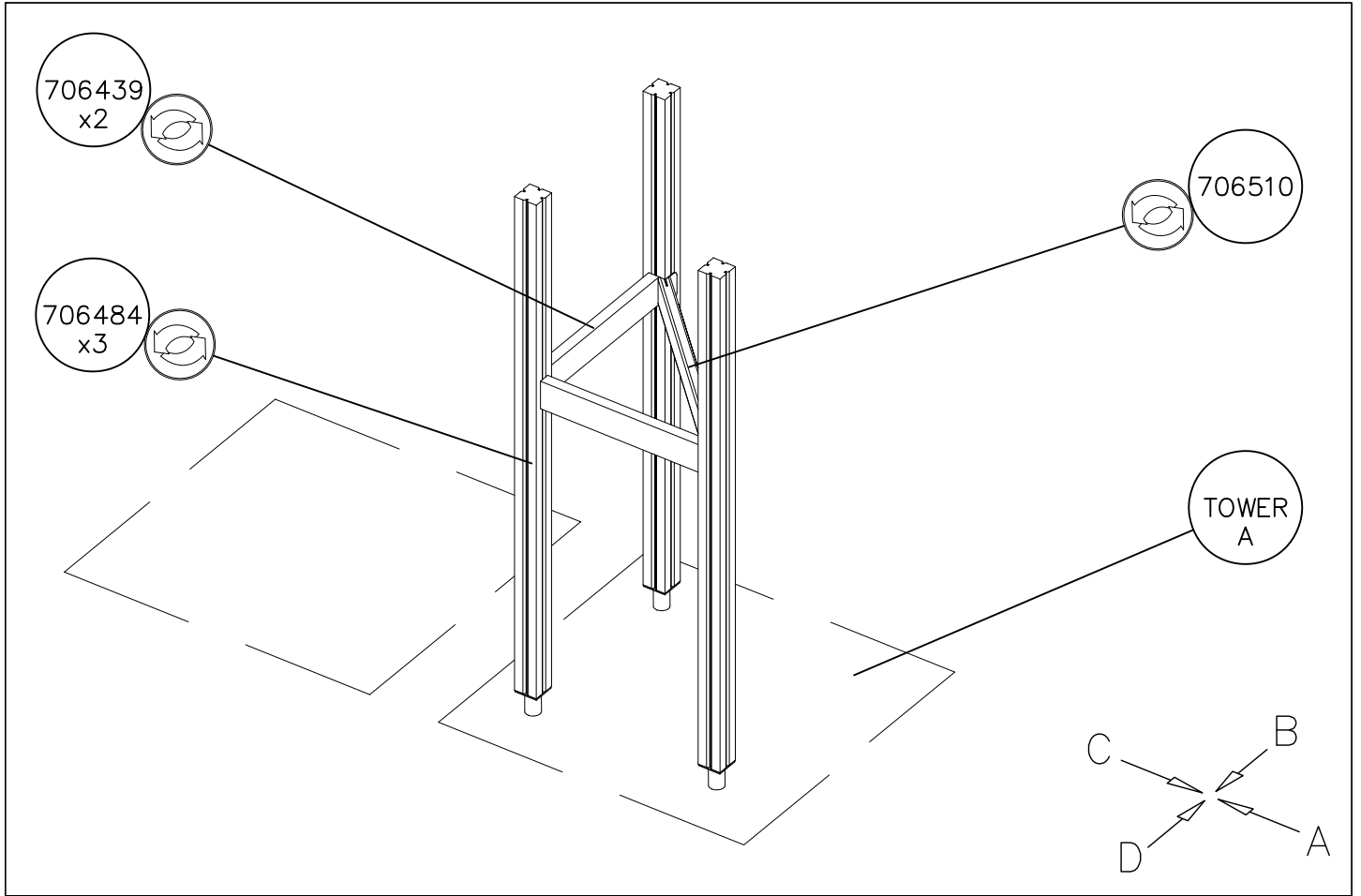


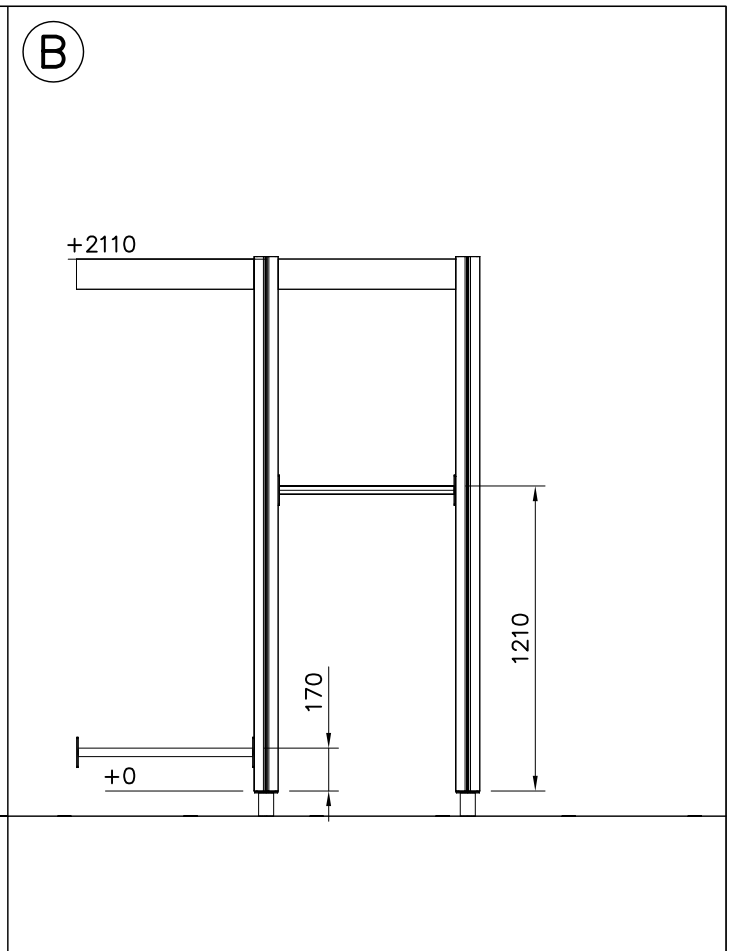
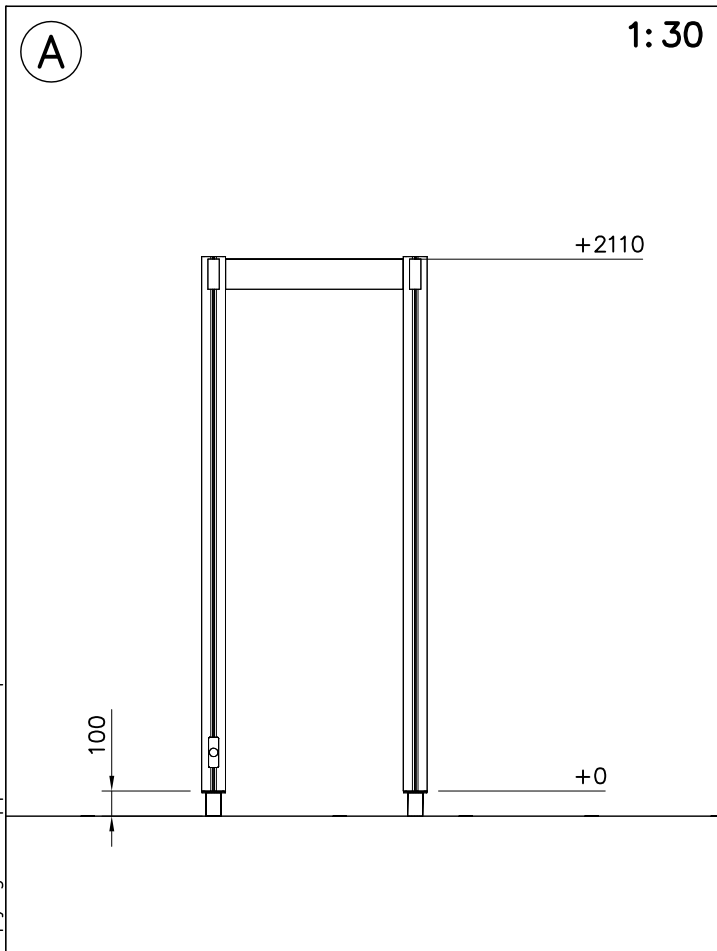
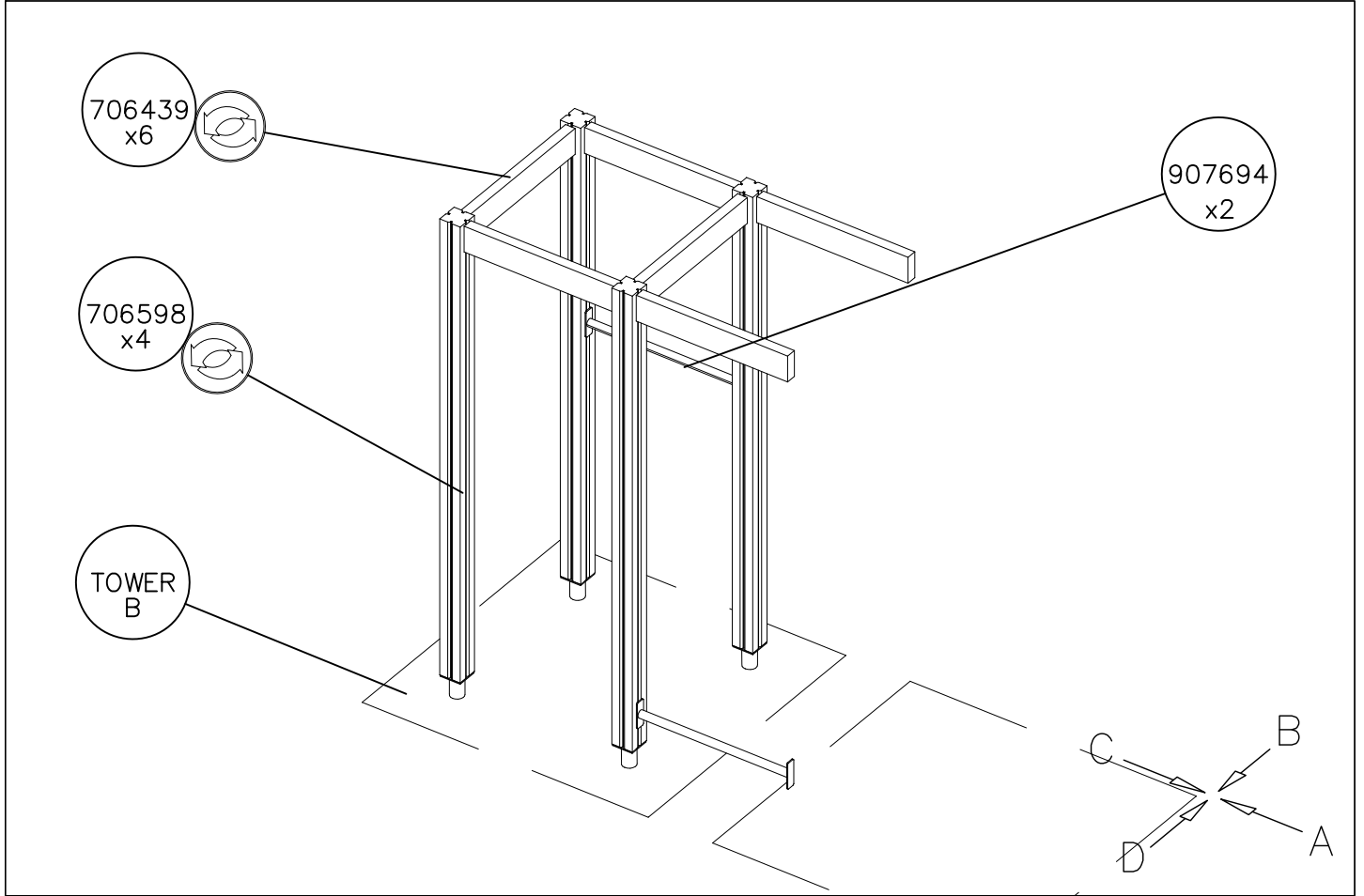
DET 4



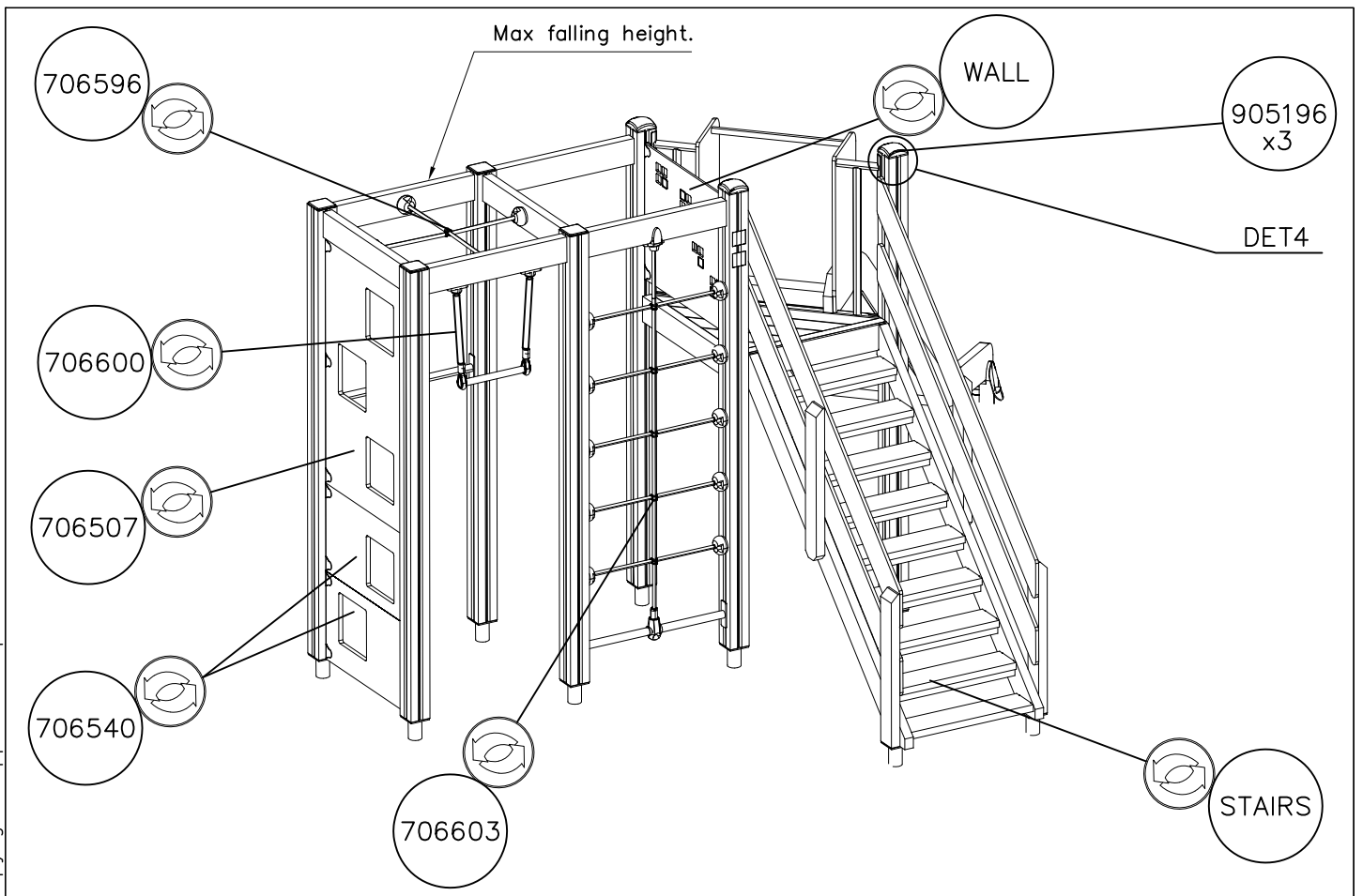
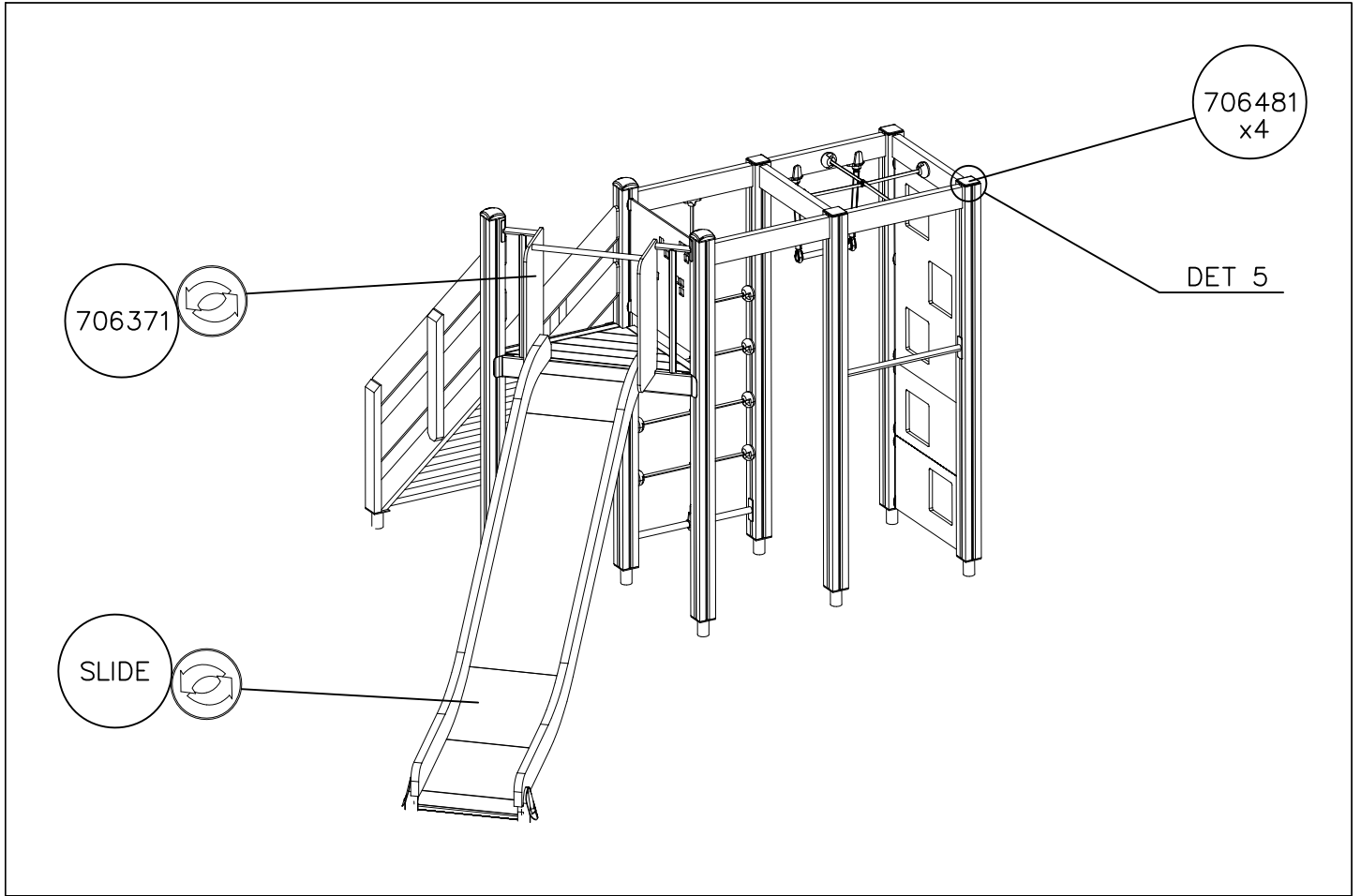
DET 5

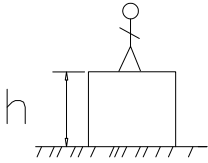



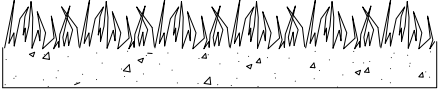
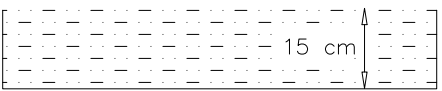
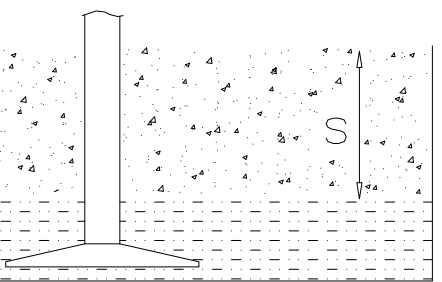
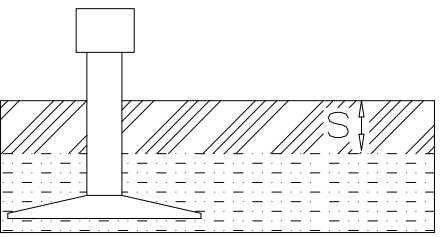




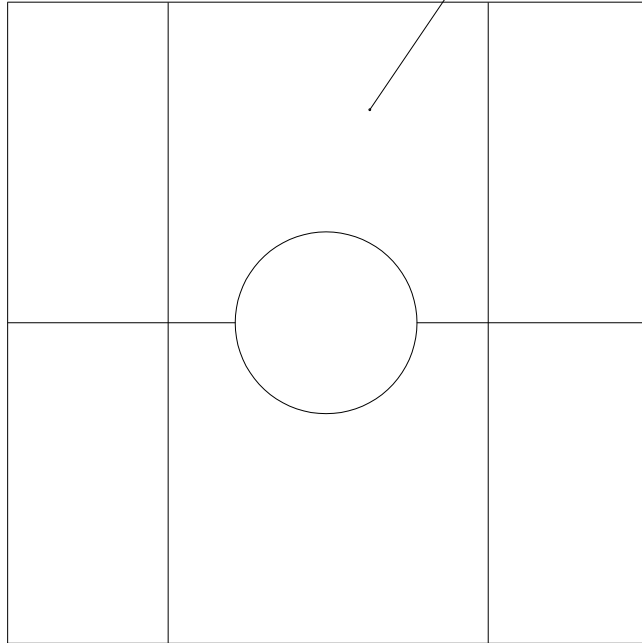




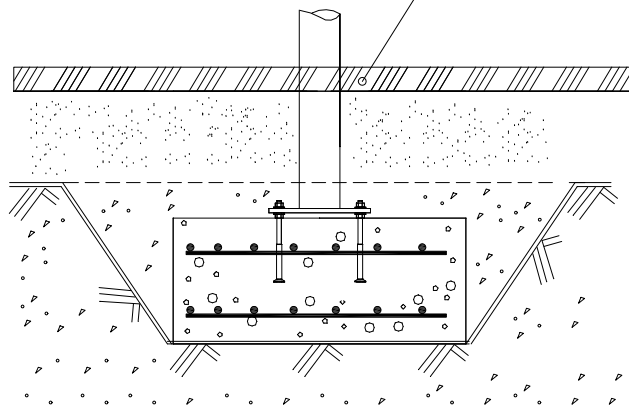


|   |  |   |                 |                 |                |         |                |         |                |       |                |   |
|---|--|---|-----------------|-----------------|----------------|---------|----------------|---------|----------------|-------|----------------|---|
|                 |  |   |                 |                 |                |         |                |         |                |       |                |   |
| <p><b><math>h &lt; 600</math></b></p> <p>Without movement and therefore without Impact Area</p> | <p>Totally hard surfaces.</p> <p>Note. Lappset does <u>not recommend</u> totally hard surfaces at all.</p>   | <p>E.g. concrete or asphalt</p>    |                 |                 |                |         |                |         |                |       |                |   |
| <p><b><math>h &lt; 600</math></b></p> <p>With movement e.g. rocking</p>                         | <p>Materials with very limited impact attenuating properties.</p>  | <p>E.g. wood</p>   |                 |                 |                |         |                |         |                |       |                |   |
| <p><b><math>h &lt; 1000</math></b></p>  | <p>Materials with significant impact attenuating properties.</p>   | <p>fine gravel 0–8 mm</p>  <p>grass</p>  <p>unsorted sand</p>  |                 |                 |                |         |                |         |                |       |                |   |
| <p><b><math>h &lt; 3000</math></b></p>  | <p>Loose fill material</p> <p>E.g.<br/>sand/gravel 0,25...8 mm D60/D10&lt;3,0<br/>Woodchips 5...30 mm<br/>bark 20...80 mm</p>  |  <table data-bbox="1021 1691 1332 1792"> <tr> <td><math>\underline{S}</math></td> <td><math>\underline{h}</math></td> </tr> <tr> <td>30 cm</td> <td>&lt; 2,0 m</td> </tr> <tr> <td>40 cm</td> <td>&lt; 3,0 m</td> </tr> </table>       | $\underline{S}$ | $\underline{h}$ | 30 cm          | < 2,0 m | 40 cm          | < 3,0 m |                |       |                |   |
| $\underline{S}$   | $\underline{h}$  |   |                 |                 |                |         |                |         |                |       |                |   |
| 30 cm   | < 2,0 m  |   |                 |                 |                |         |                |         |                |       |                |   |
| 40 cm   | < 3,0 m  |   |                 |                 |                |         |                |         |                |       |                |   |
|   | <p>Syntethic granulates</p> <table data-bbox="406 1892 758 2060"> <tr> <td><math>\underline{S}</math></td> <td><math>\underline{h}</math></td> </tr> <tr> <td>40 mm</td> <td>~&gt; 1,2...1,3 m</td> </tr> <tr> <td>50 mm</td> <td>~&gt; 1,5...1,7 m</td> </tr> <tr> <td>60 mm</td> <td>~&gt; 1,8...2,0 m</td> </tr> <tr> <td>70 mm</td> <td>~&gt; 2,1...2,5 m</td> </tr> </table> <p>Note. For accurate values, see manufacturer's instructions.</p> | $\underline{S}$   | $\underline{h}$ | 40 mm           | ~> 1,2...1,3 m | 50 mm   | ~> 1,5...1,7 m | 60 mm   | ~> 1,8...2,0 m | 70 mm | ~> 2,1...2,5 m |  |
| $\underline{S}$   | $\underline{h}$  |   |                 |                 |                |         |                |         |                |       |                |   |
| 40 mm   | ~> 1,2...1,3 m   |   |                 |                 |                |         |                |         |                |       |                |   |
| 50 mm   | ~> 1,5...1,7 m   |   |                 |                 |                |         |                |         |                |       |                |   |
| 60 mm   | ~> 1,8...2,0 m   |   |                 |                 |                |         |                |         |                |       |                |   |
| 70 mm   | ~> 2,1...2,5 m   |   |                 |                 |                |         |                |         |                |       |                |   |

REMOVE SAFETY SURFACE/SAND/GRAVEL  
TO CHECK FOUNDATION



REMOVE SAFETY SURFACE/SAND/GRAVEL  
TO CHECK FOUNDATION

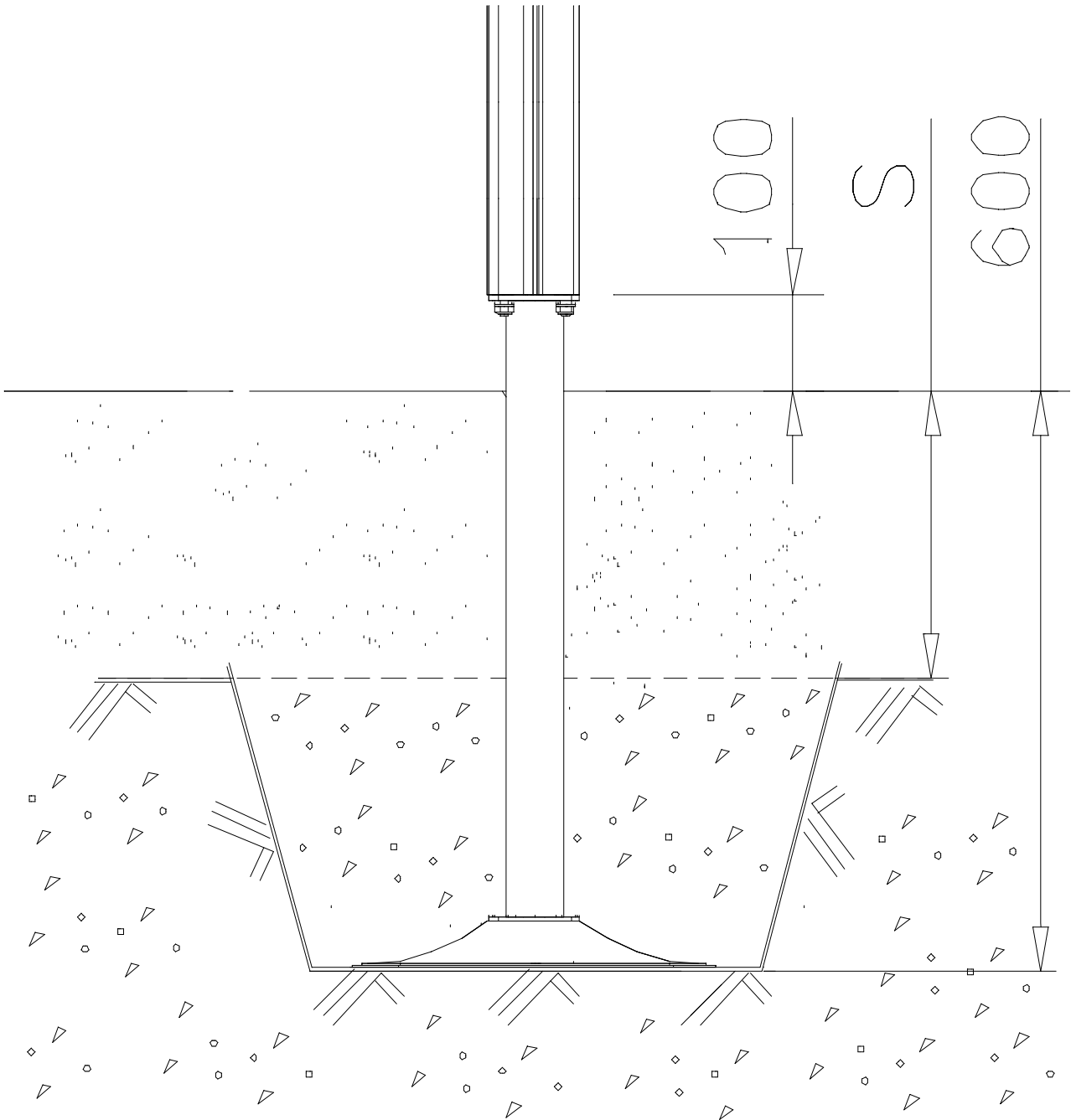
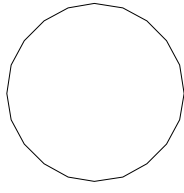


**LAPPSET®**  
**DEEP FOUNDATION**

**FOOT**

DATE: 13.3.2014

**4A**

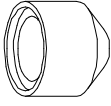


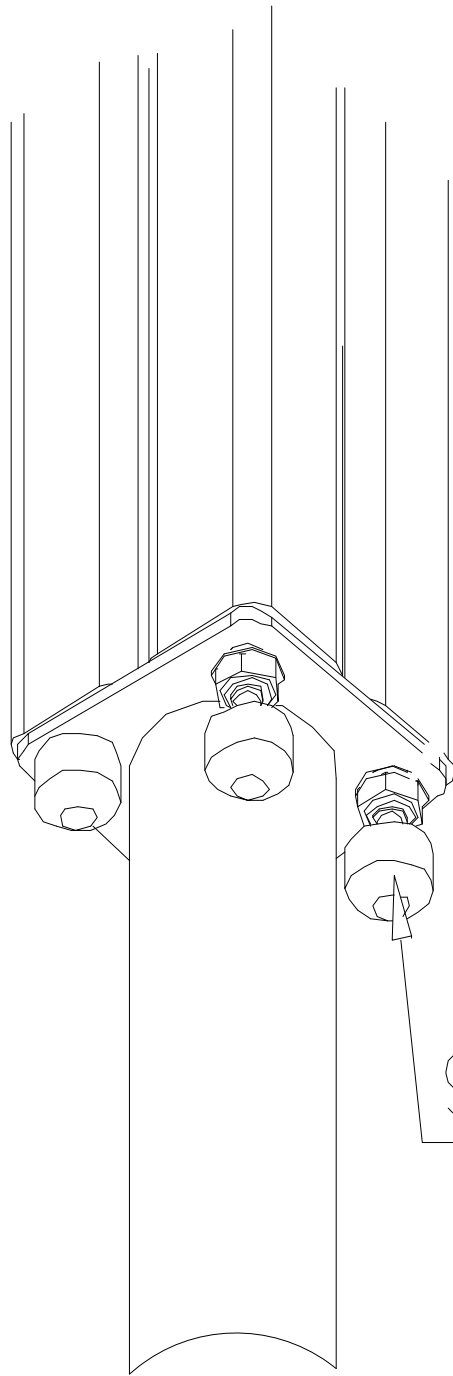
# LAPPSET® BETON FOUNDATION

# FOOT

DATE: 27.10.2015

1(1)

|   |     |  |     |
|---|-----|--|-----|
| ② 905104  | PCS |  | PCS |
|   | 4   |  |     |
|  |     |  |     |
| M10   |     |  |     |
|   | PCS |  | PCS |
|   |     |  |     |
|   |     |  |     |



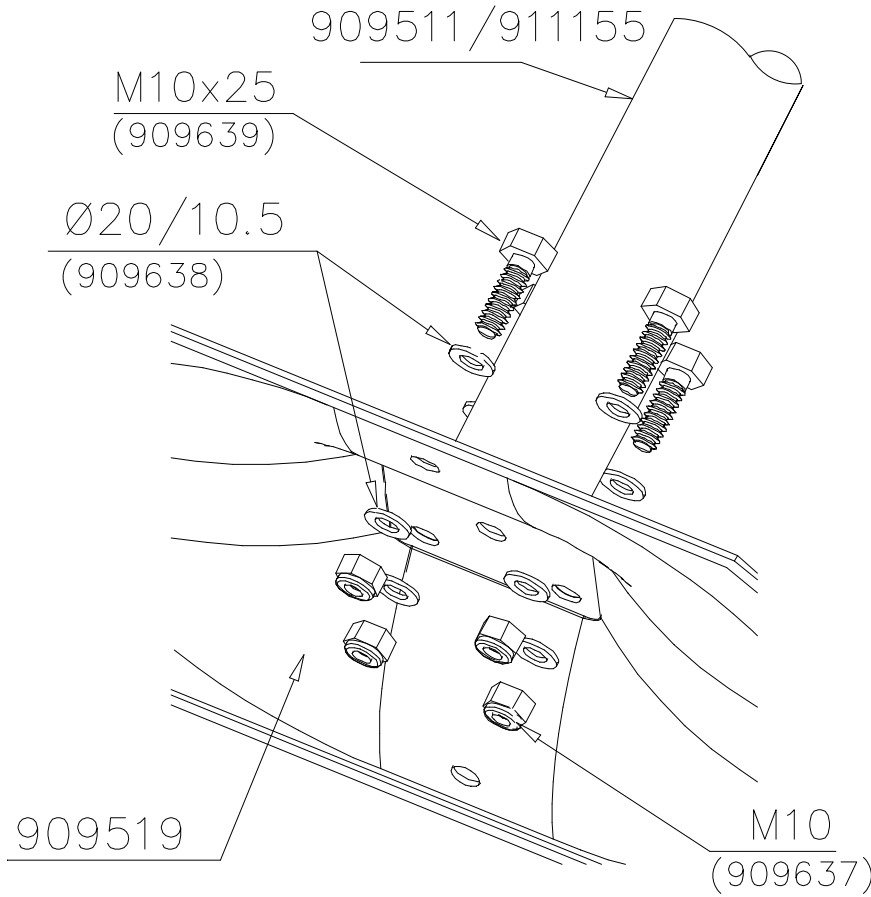
905104

# LAPPSET® DEEP FOUNDATION

# FOOT

DATE: 15.5.2018

1(1)



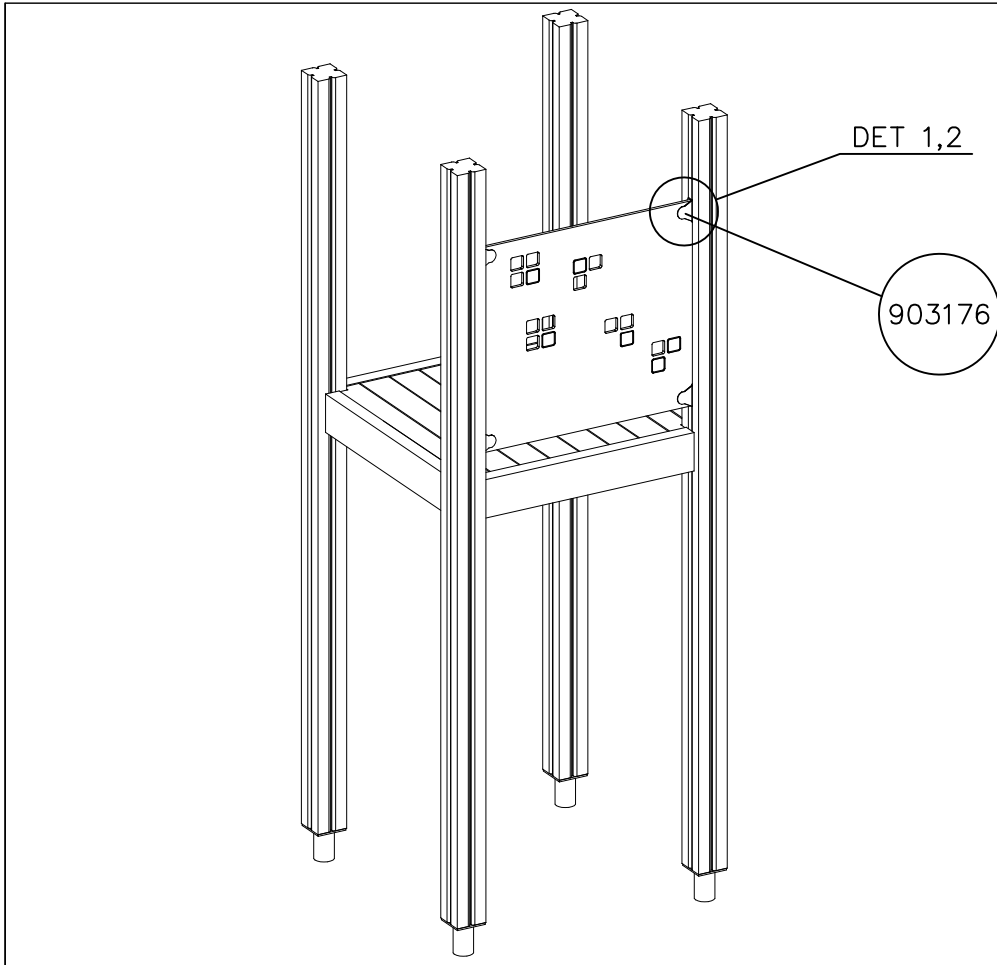
|           |     |            |     |
|-----------|-----|------------|-----|
| ① 909511  | PCS | ② 909519   | PCS |
|           | 1   |            | 1   |
| 90x90x650 |     | 50x380x380 |     |

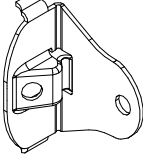
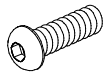
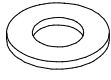
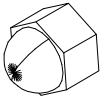

|          |     |          |     |
|----------|-----|----------|-----|
| ③ 909637 | PCS | ④ 909638 | PCS |
|          | 4   |          | 8   |
| M10      |     | Ø20/10.5 |     |

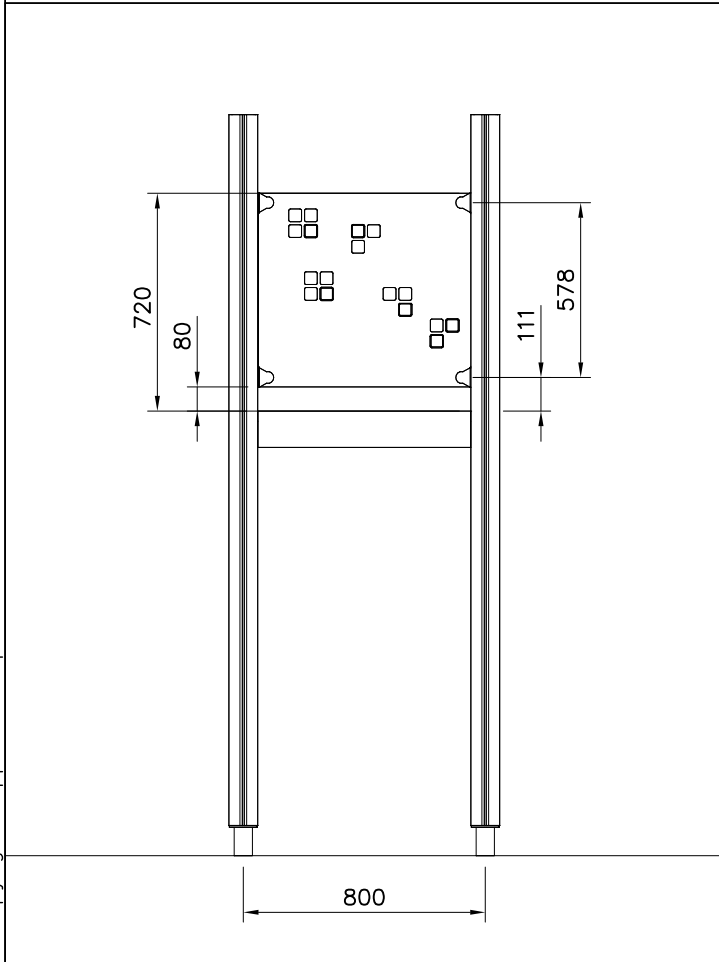
|          |     |          |     |
|----------|-----|----------|-----|
| ⑤ 909639 | PCS | ⑥ 905104 | PCS |
|          | 4   |          | 4   |
| M10x25   |     | M10      |     |

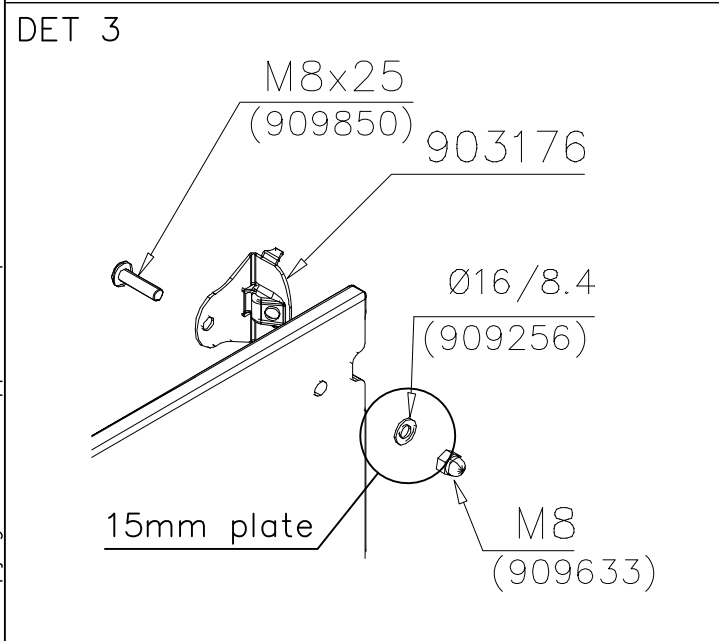
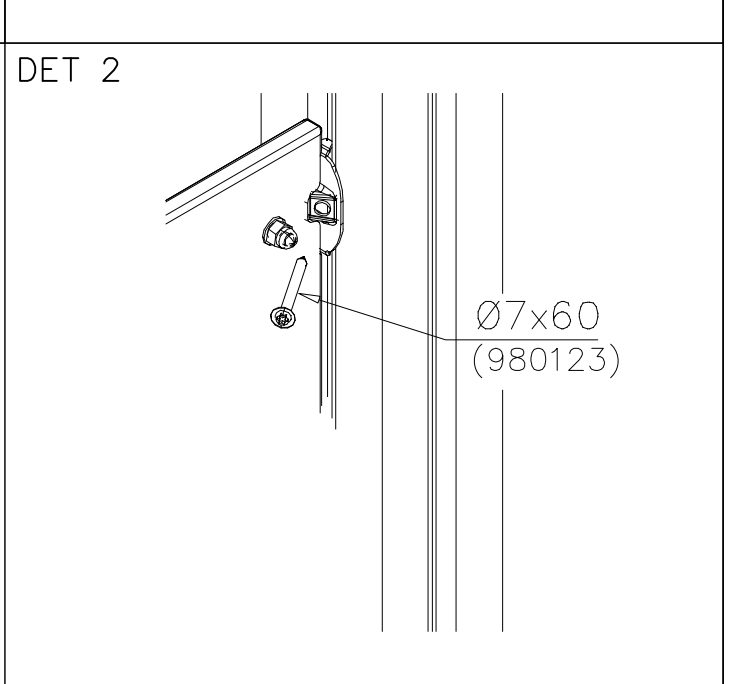
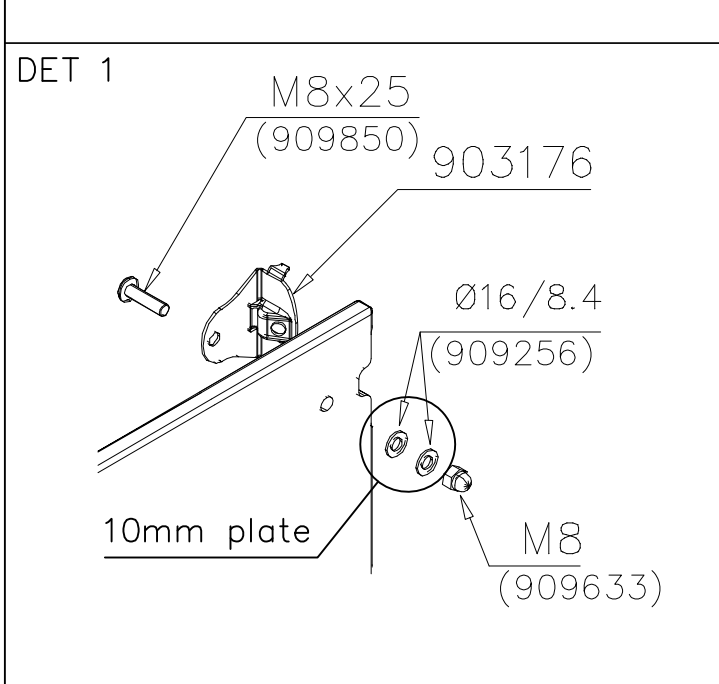
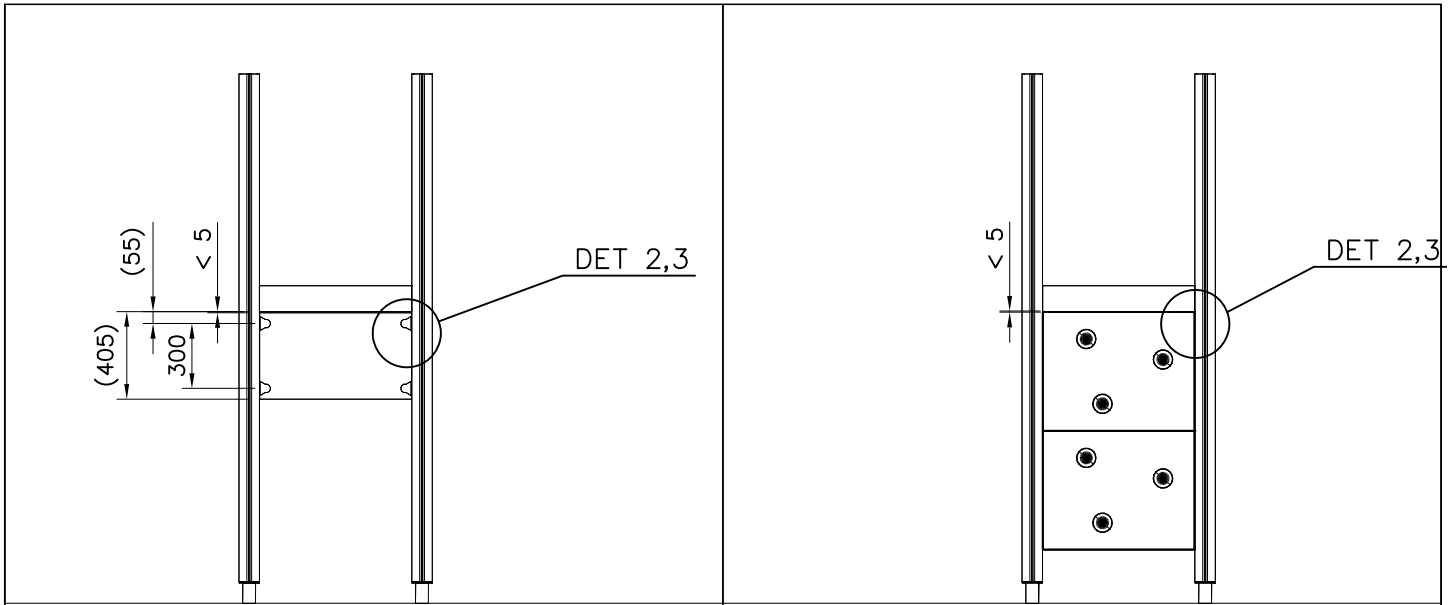
OPTION FOOT

|           |     |  |     |
|-----------|-----|--|-----|
| ① 911155  | PCS |  | PCS |
|           | 1   |  |     |
| 90x90x650 |     |  |     |

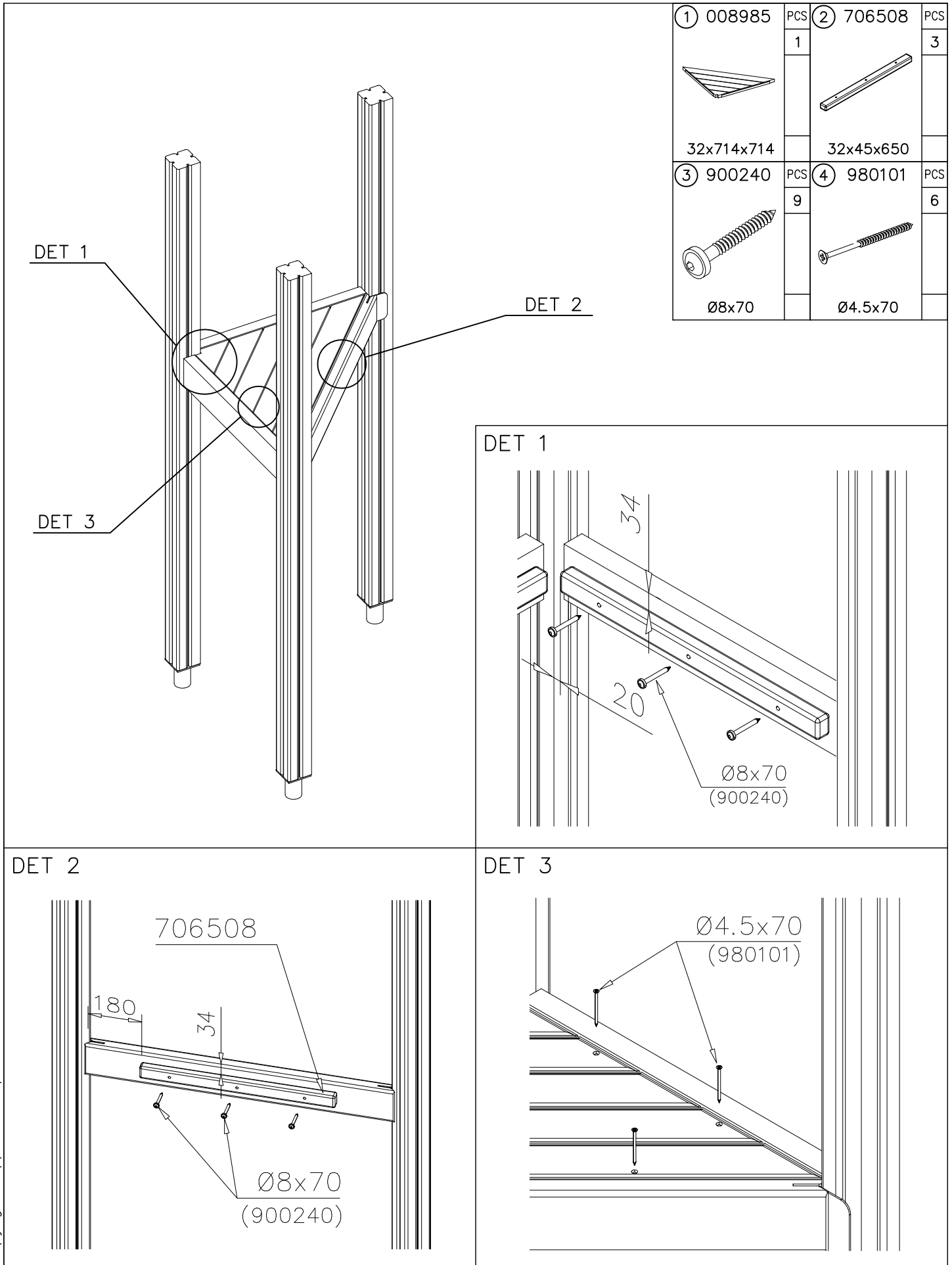


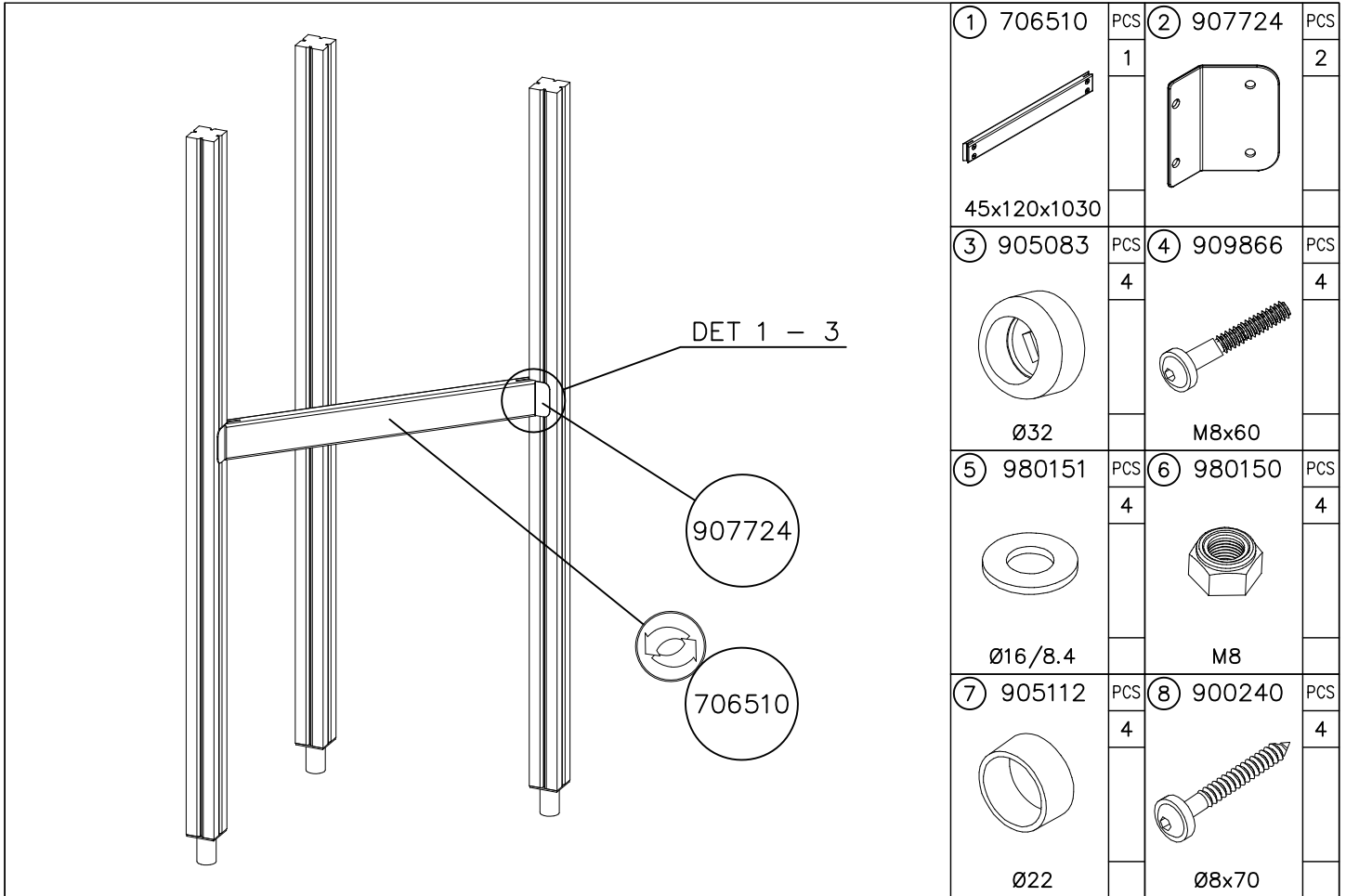
|   |     |   |     |
|---|-----|---|-----|
| ① 903176  | PCS | ② 909850  | PCS |
|  | 4   |  | 4   |
|   |     | M8x25   |     |
| ③ 909256  | PCS | ④ 909633  | PCS |
|  | 8   |  | 4   |
| Ø16/8.4x1.6   |     | M8  |     |
| ⑤ 980123  | PCS |   | PCS |
|  | 4   |   |     |
| Ø7x60   |     |   |     |
|   | PCS |   | PCS |

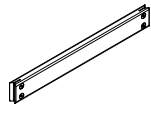
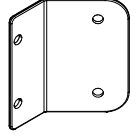
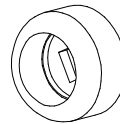
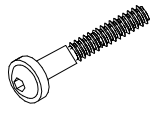
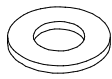
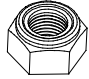
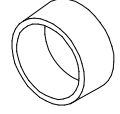
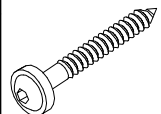


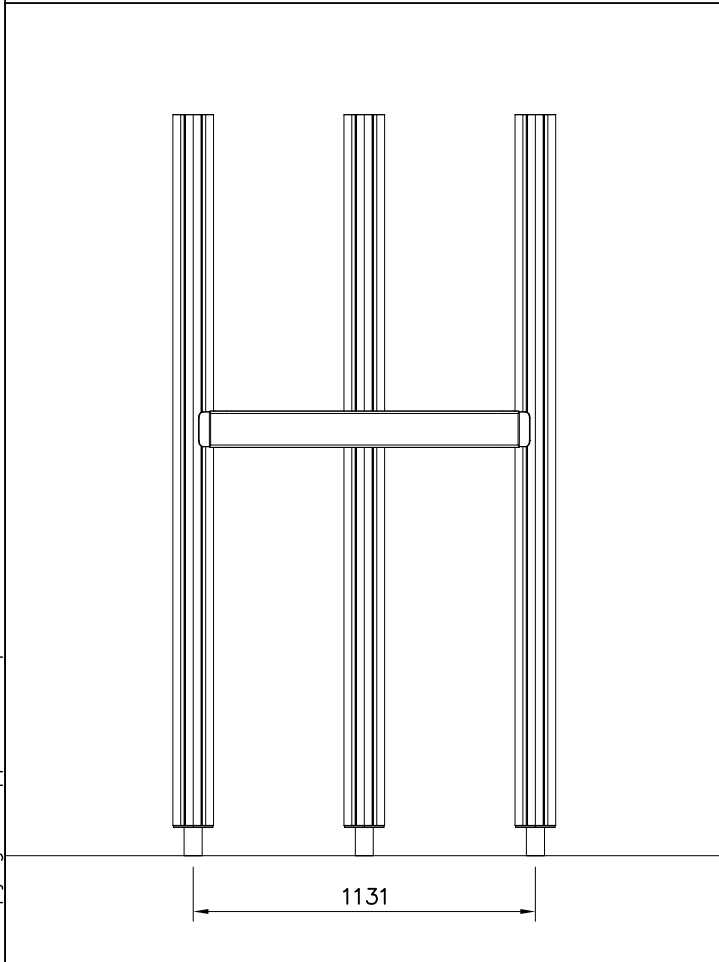


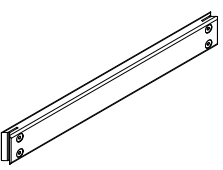




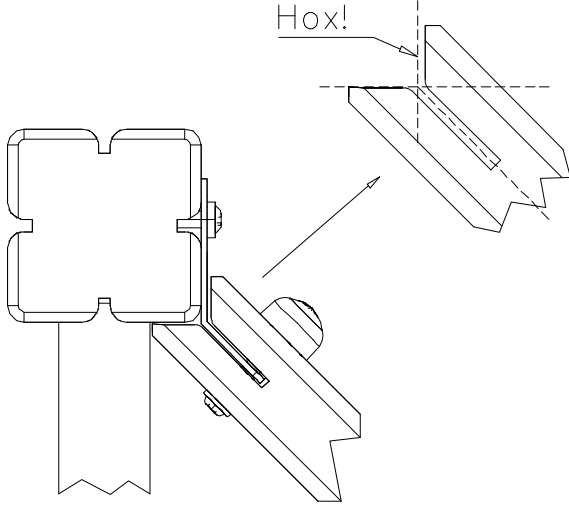


|   |     |   |     |
|---|-----|---|-----|
| ① 706510  | PCS | ② 907724  | PCS |
|    | 1   |    | 2   |
| 45x120x1030   |     |   |     |
| ③ 905083  | PCS | ④ 909866  | PCS |
|    | 4   |    | 4   |
| Ø32   |     | M8x60   |     |
| ⑤ 980151  | PCS | ⑥ 980150  | PCS |
|    | 4   |    | 4   |
| Ø16/8.4   |     | M8  |     |
| ⑦ 905112  | PCS | ⑧ 900240  | PCS |
|  | 4   |  | 4   |
| Ø22   |     | Ø8x70   |     |

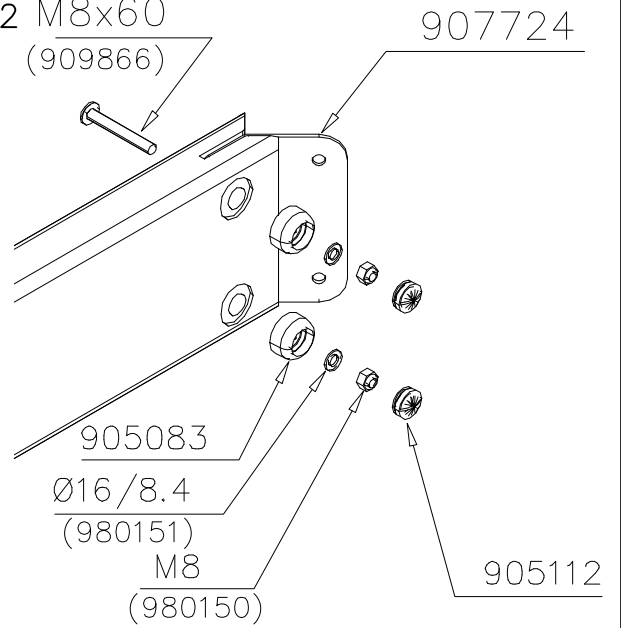


| BOOM OPTIONS   |            |             |
|--|------------|-------------|
| 706510   | 706510-602 | DARK BROWN  |
|  | 706510-603 | LIGHT BROWN |
|  | 706510-604 | LIGHT GRAY  |
|  |            |             |
| 45x120x1030  |            |             |
|  |            |             |
|  |            |             |

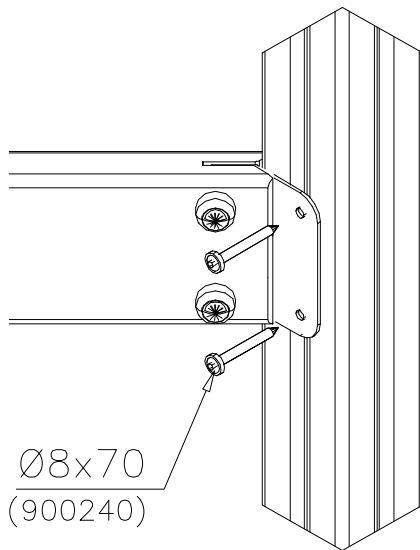
DET 1



DET 2 M8x60  
 (909866)



DET 3



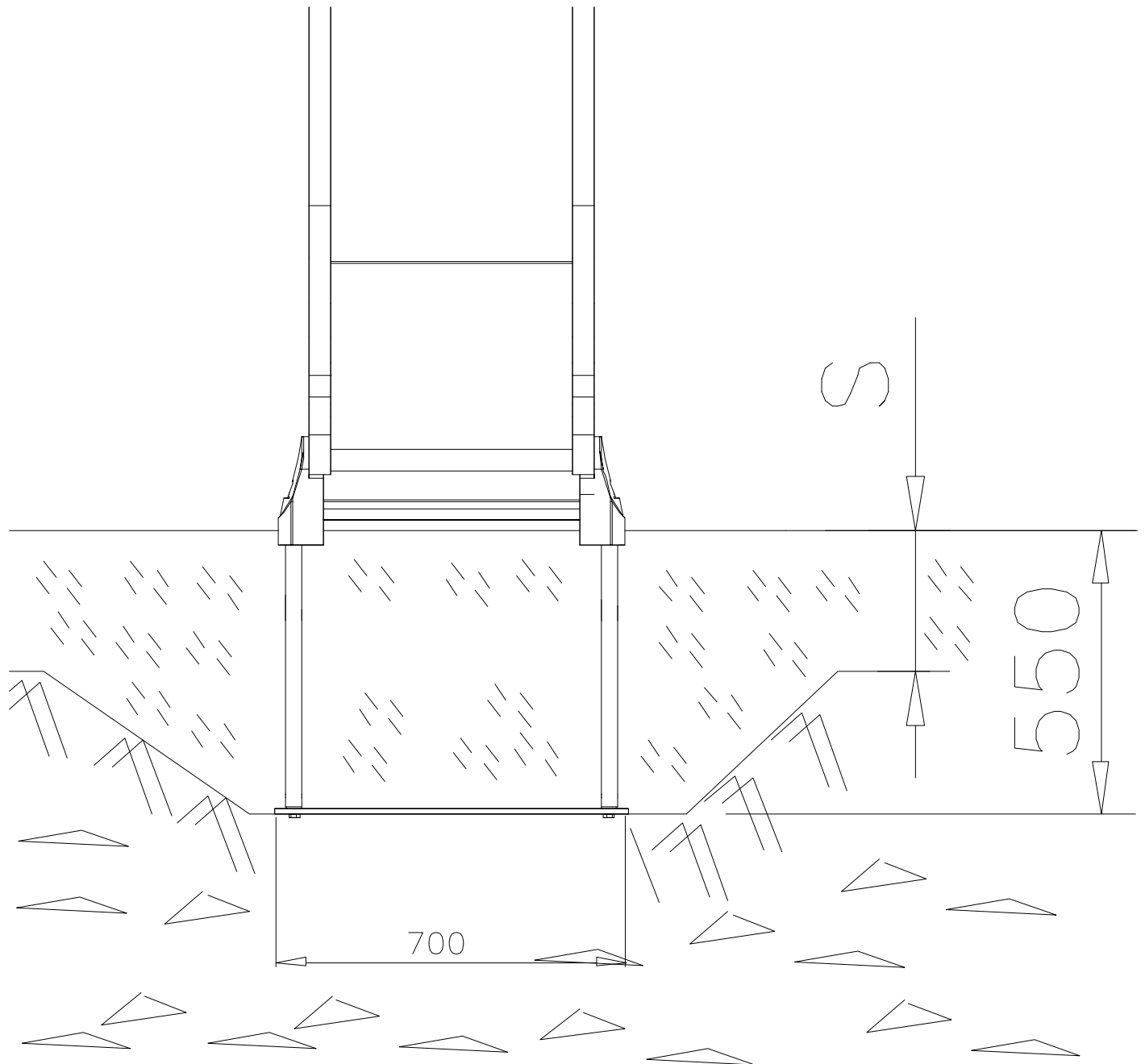
# LAPPSET

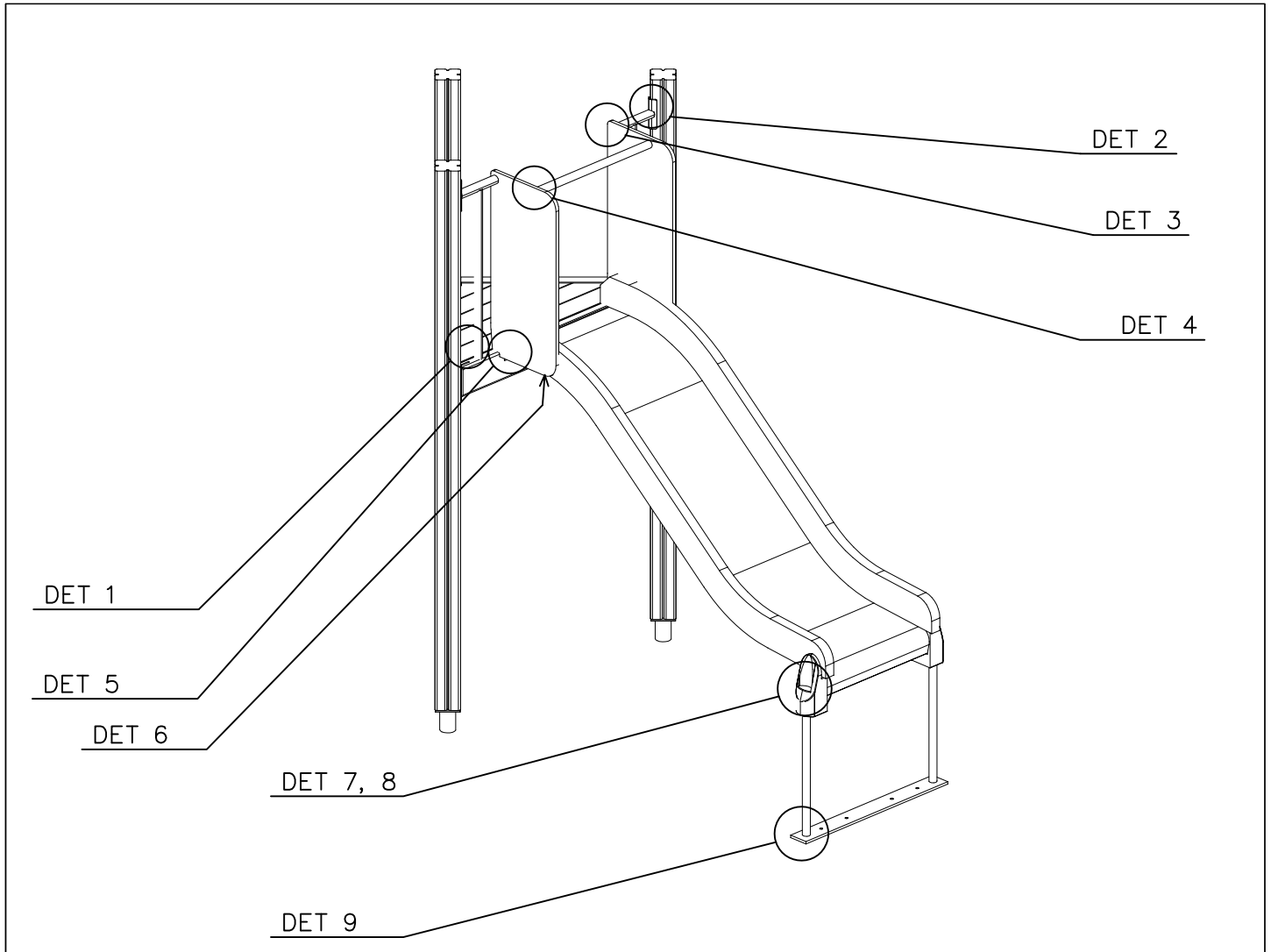
## DEEP FOUNDATION

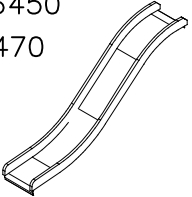
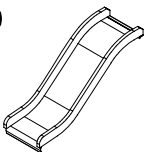
# SLIDE WOOD

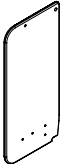
DATE: 22.5.2015

1(1)





| SLIDE OPTIONS  |  |   |  |
|--|--|---|--|
| 706450<br>+1470<br> | 706450-602<br>706450-603<br>706450-604 | DARK BROWN<br>LIGHT BROWN<br>LIGHT GRAY |  |
| 706452<br>+870<br>  | 706452-602<br>706452-603<br>706452-604 | DARK BROWN<br>LIGHT BROWN<br>LIGHT GRAY |  |

| WALL OPTIONS  |  |   |  |
|---|--|---|--|
| 706371<br> | 706371-701<br>706371-702<br>706371-703<br>706371-704<br>706371-705<br>706371-706 | BLUE<br>YELLOW<br>LIME<br>DRARK GRAY<br>LIGHT GRAY<br>RED | 706371-707<br>706371-708<br>GREEN<br>FUXIA |

# LAPPSET

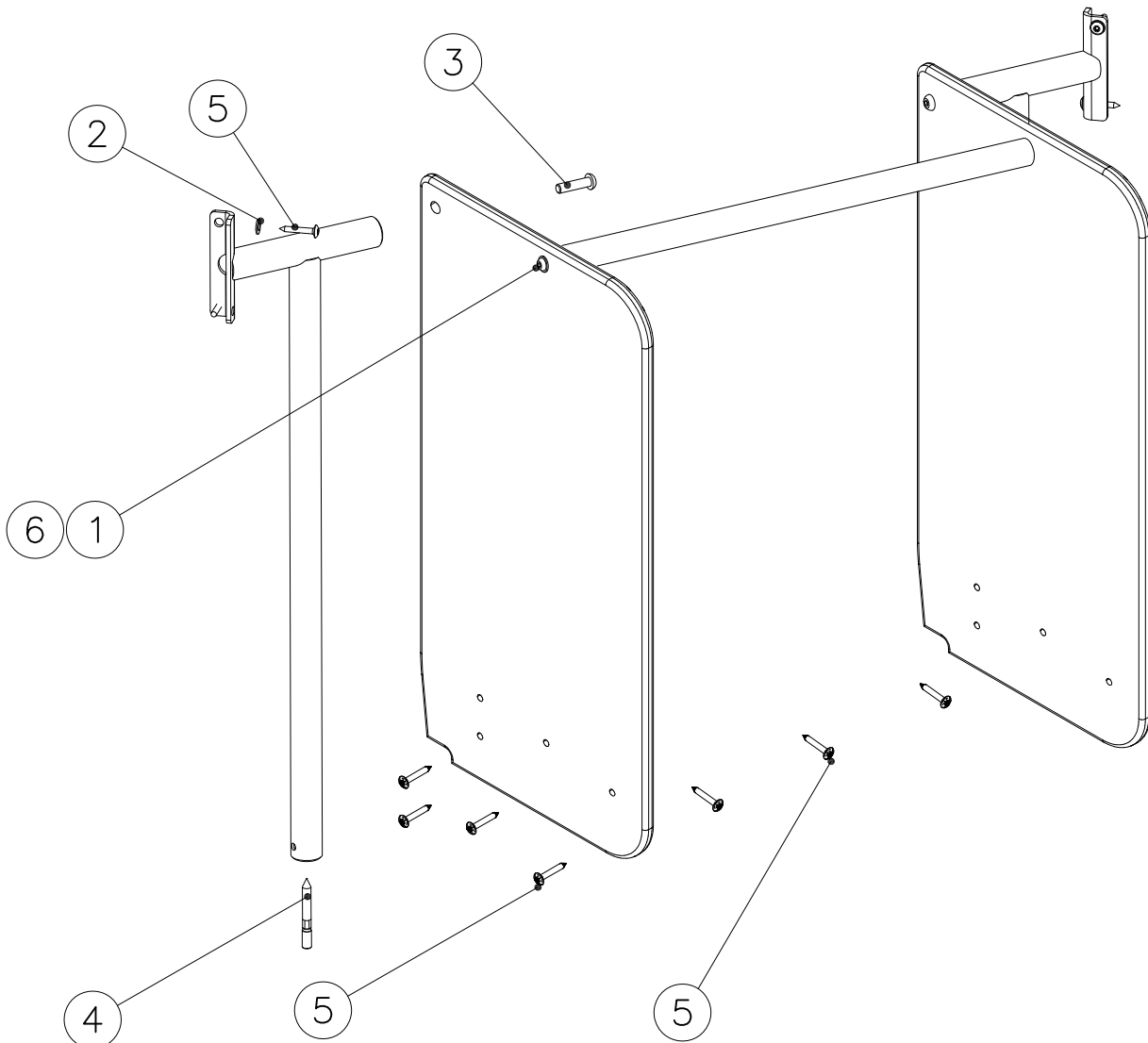
# 80MD

80MD

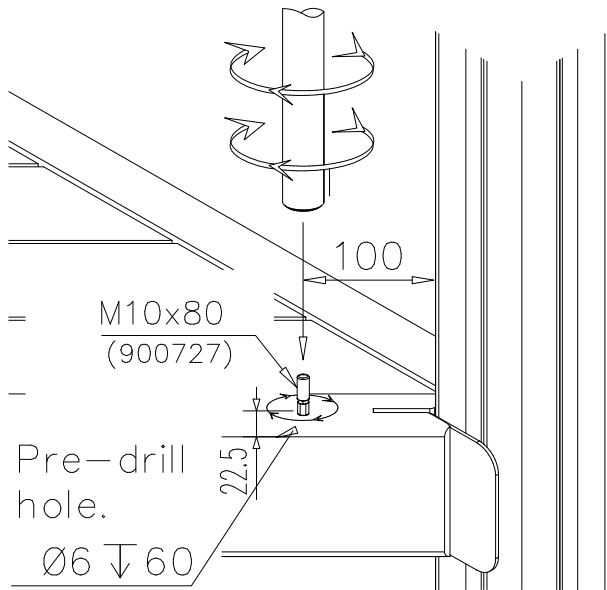
DATE: 21.9.2016

2(5)

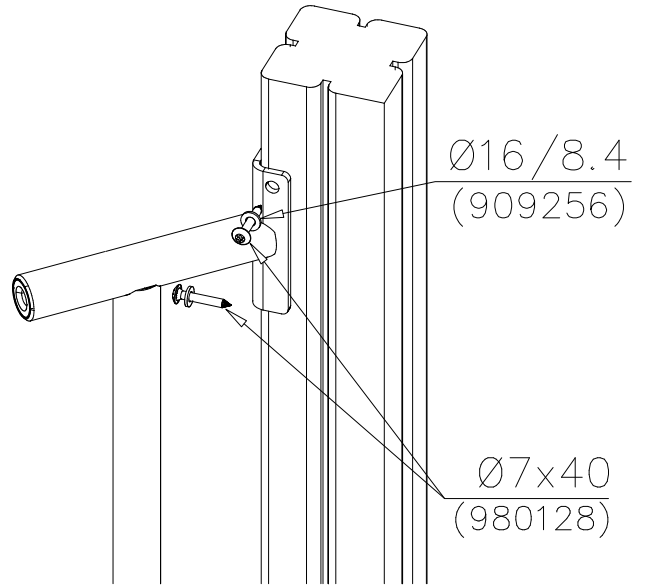
|                              |                             |                                 |                             |   |                            |
|------------------------------|-----------------------------|---------------------------------|-----------------------------|---|----------------------------|
| ○ SLIDE<br>+1470<br>PCS 1    | ○ SLIDE<br>+870<br>PCS 1    | ○ 706371<br>15x345x750<br>PCS 2 | ○ 907692<br>PCS 2           | ○ 901868<br>Ø30x598<br>PCS 1                    | ① 909876<br>M8x40<br>PCS 2 |
| ② 909256<br>Ø16/8.4<br>PCS 4 | ③ 907727<br>M10x40<br>PCS 2 | ④ 900727<br>M10x80<br>PCS 2     | ⑤ 980128<br>Ø7x40<br>PCS 15 | ⑥ 999561<br>GLUE 4101 ergo 10 g<br>10g<br>PCS 1 |                            |



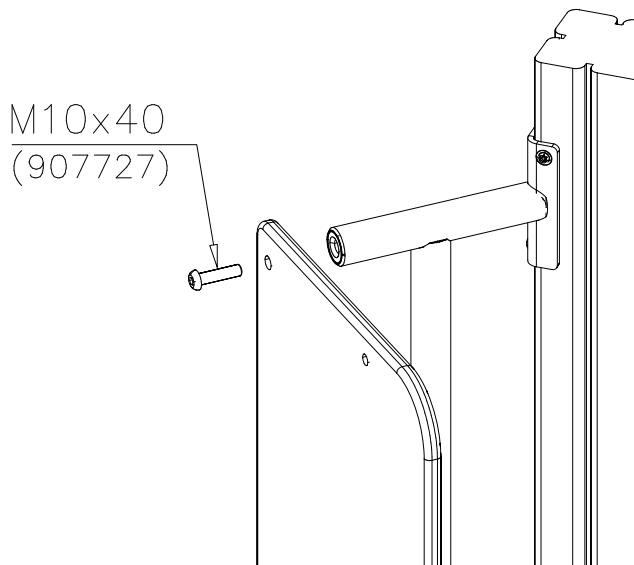
DET 1



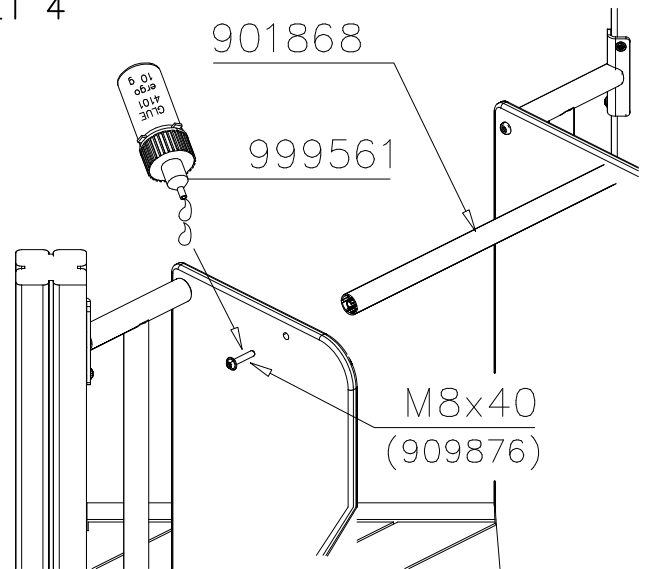
DET 2



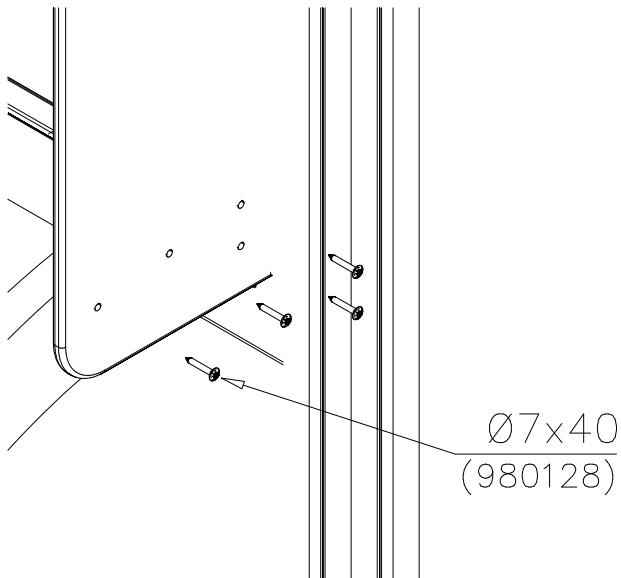
DET 3



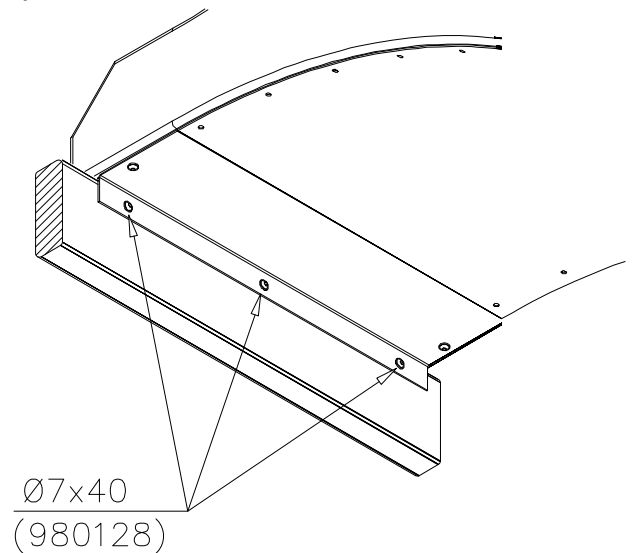
DET 4



DET 5



DET 6

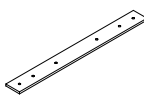
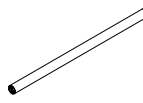


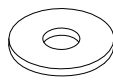
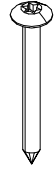


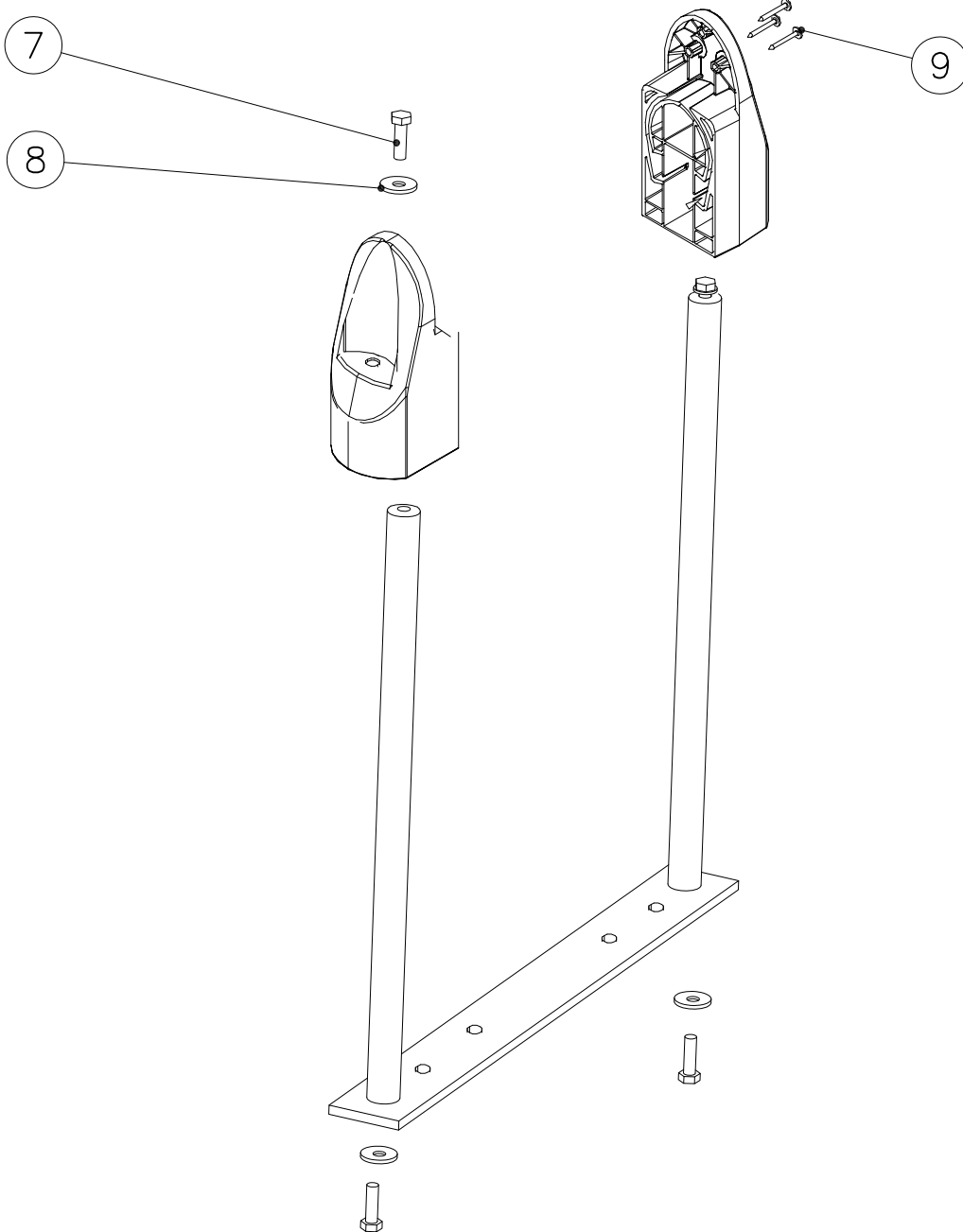
# LAPPSET

## DEEP FOUNDATION

DATE: 21.9.2016

4(5)

|  |     |   |     |   |     |   |     |  |     |   |     |
|--|-----|---|-----|---|-----|---|-----|--|-----|---|-----|
| ○ 707133   | PCS | ○ 901868  | PCS | ○ 901879  | PCS | ⑦ 909210  | PCS | ⑧ 905051   | PCS | ⑨ 980128  | PCS |
|  | 1   |  | 2   |  | 2   |  | 4   |  | 4   |  | 6   |
| 10x80x745  |     | Ø30x598   |     |   |     | M8x40   |     | Ø24/8.4  |     | Ø7x40   |     |





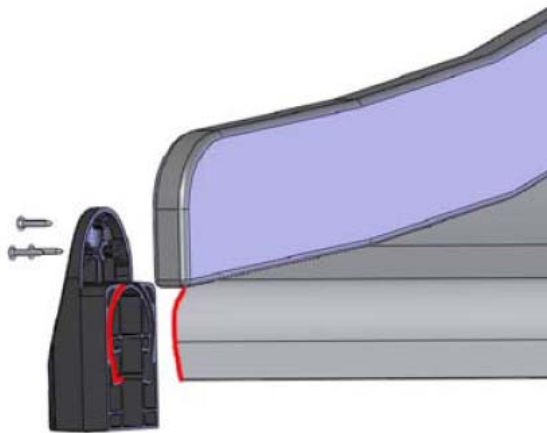
# LAPPSET

## DEEP FOUNDATION

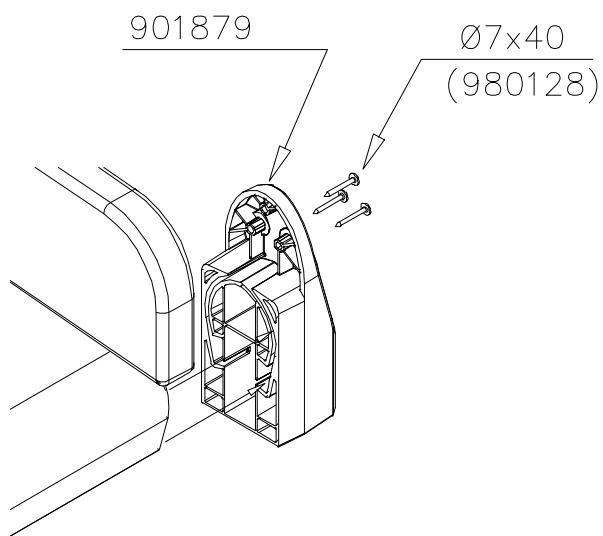
DATE: 21.9.2016

5(5)

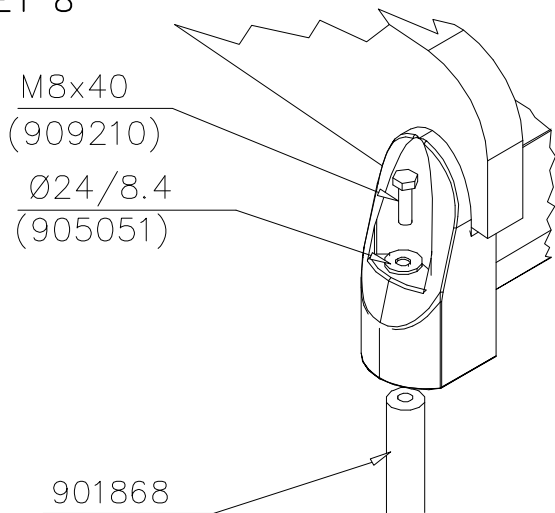
DET 7



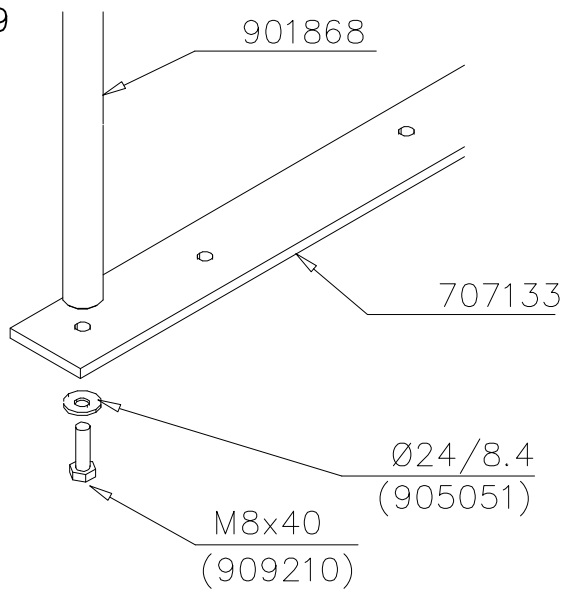
Insert sheet metal IN to the plastic cover.

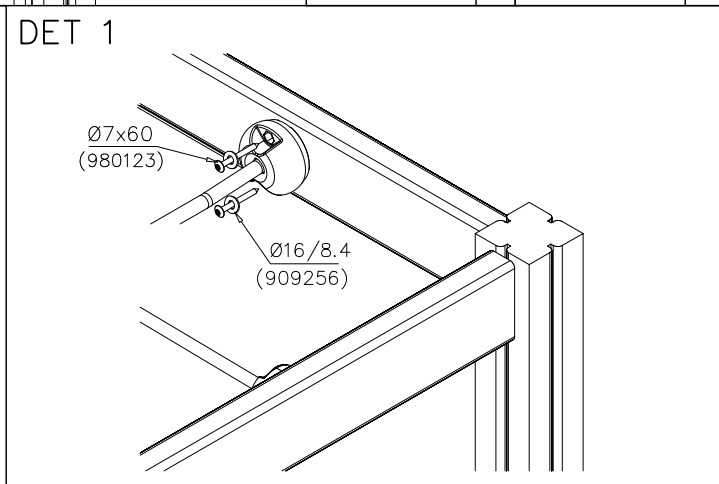
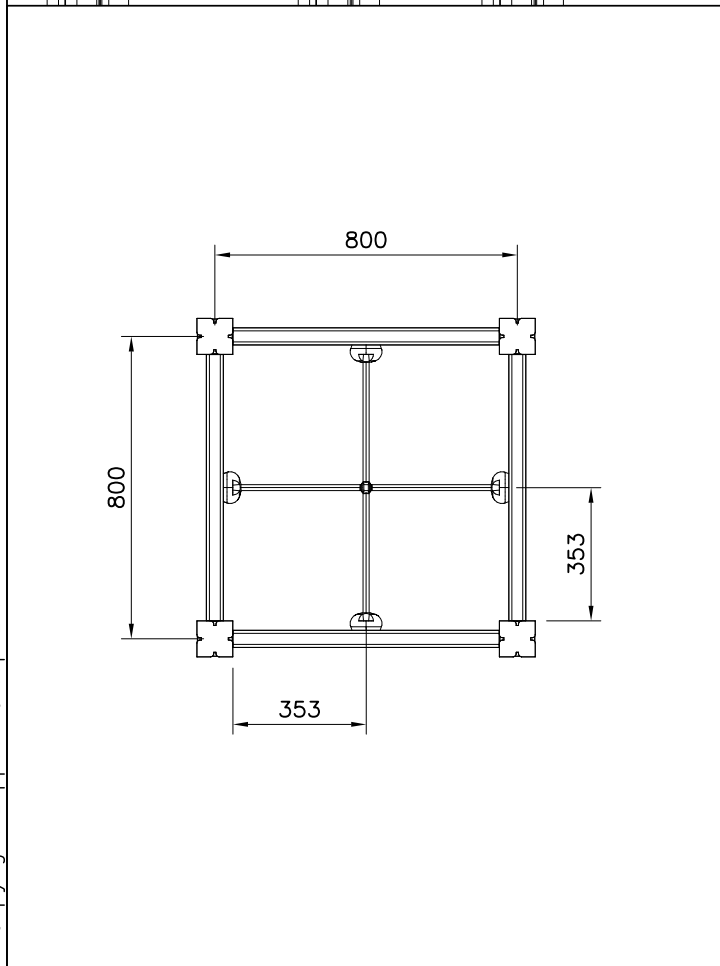
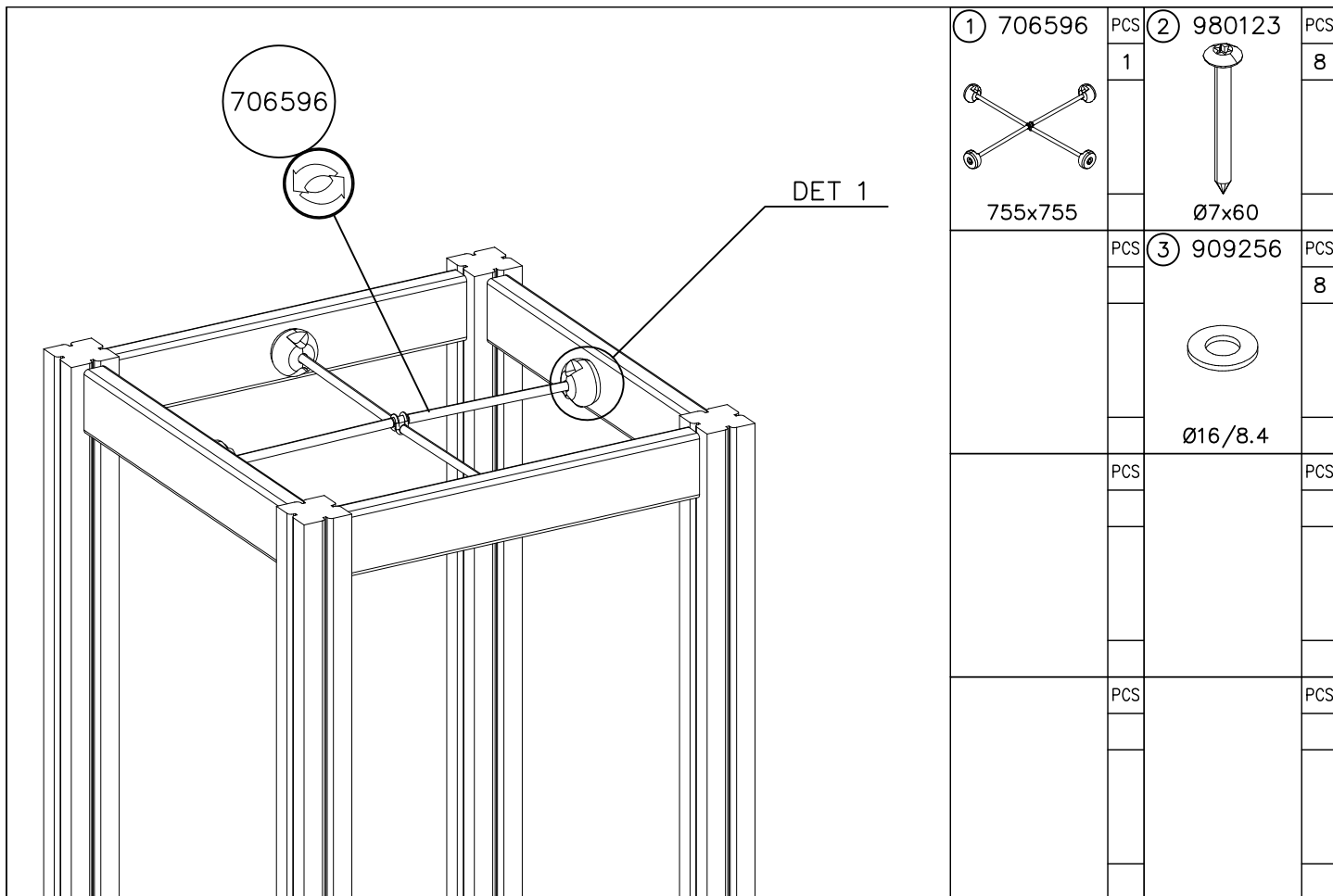


DET 8



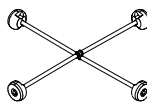
DET 9



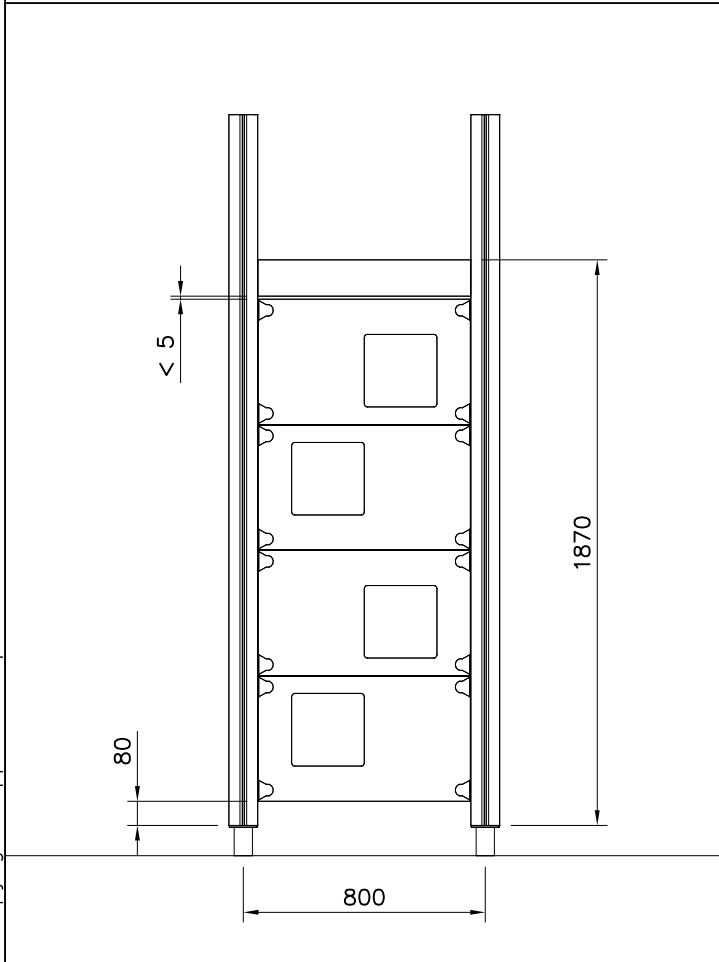
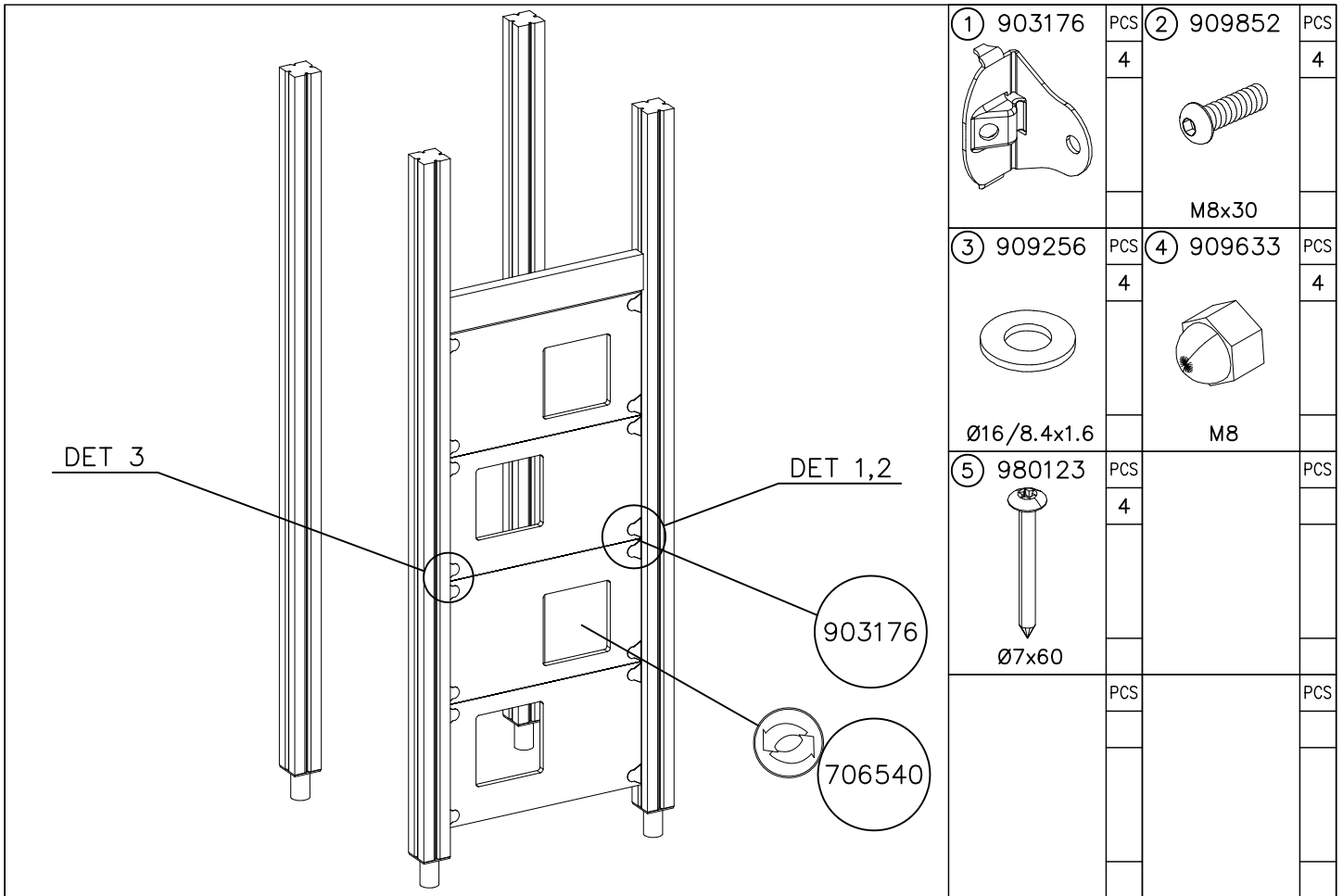


NET OPTIONS

706596

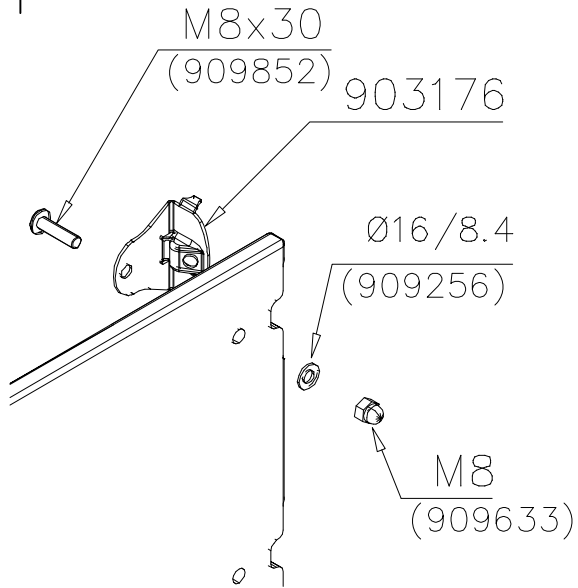


- 706596-301 BLUE
- 706596-302 RED
- 706596-303 BEIGE
- 706596-304 GRAY
- 706596-305 BLACK
- 706596-306 YELLOW

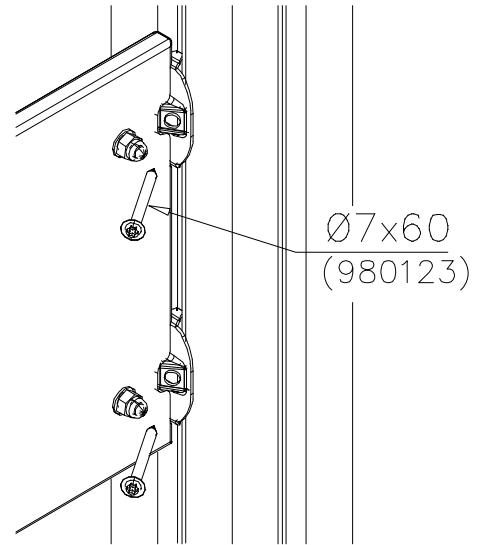


| WALL OPTIONS |            |            |
|--------------|------------|------------|
| 706540       | 706540-701 | BLUE       |
|              | 706540-702 | YELLOW     |
|              | 706540-703 | LIME       |
|              | 706540-704 | DARK GRAY  |
|              | 706540-705 | LIGHT GRAY |
|              | 706540-706 | RED        |
|              | 706540-707 | GREEN      |
|              | 706540-708 | FUXIA      |
|              |            |            |
| 20x702x415   |            |            |

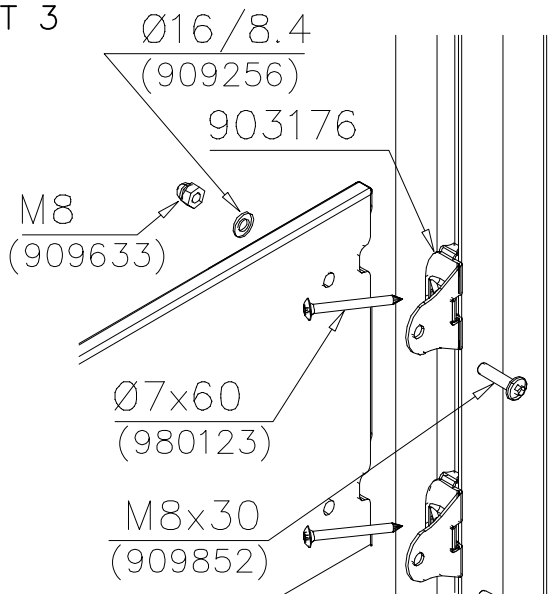
DET 1



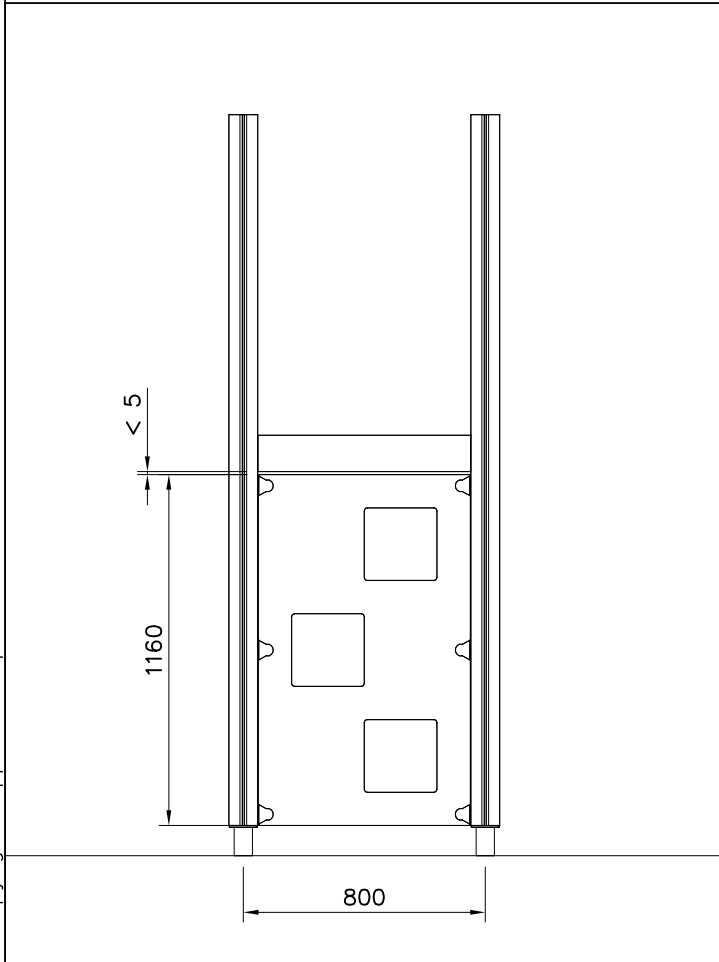
DET 2



DET 3

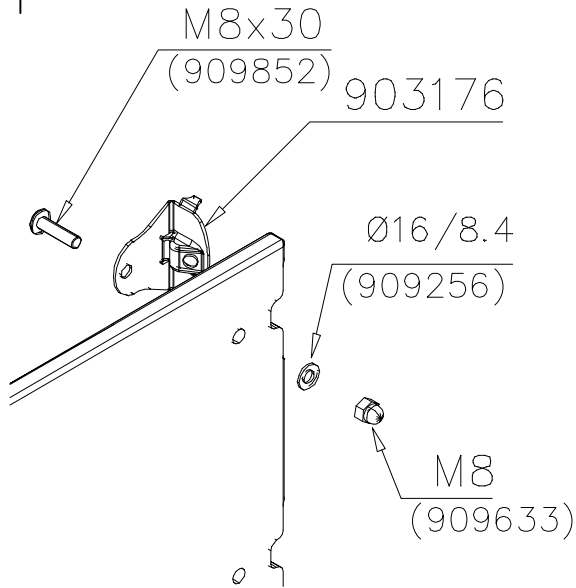


|             |     |          |     |
|-------------|-----|----------|-----|
| ① 903176    | PCS | ② 909852 | PCS |
|             | 6   |          | 6   |
|             |     | M8x30    |     |
| ③ 909256    | PCS | ④ 909633 | PCS |
|             | 6   |          | 6   |
| Ø16/8.4x1.6 |     | M8       |     |
| ⑤ 980123    | PCS |          | PCS |
|             | 6   |          |     |
| Ø7x60       |     |          |     |
|             | PCS |          | PCS |

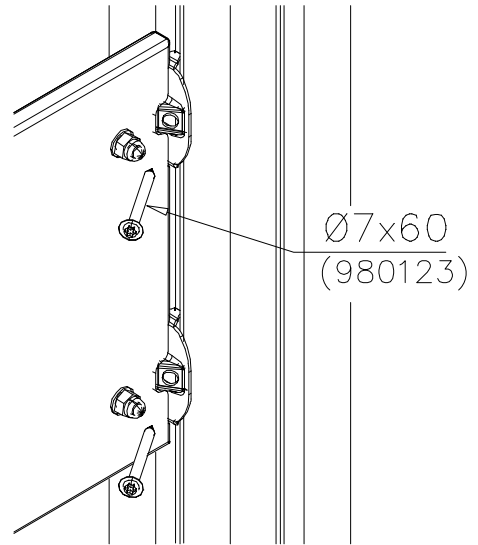


| WALL OPTIONS |            |            |
|--------------|------------|------------|
| 706507       | 706507-701 | BLUE       |
|              | 706507-702 | YELLOW     |
|              | 706507-703 | LIME       |
|              | 706507-704 | DARK GRAY  |
|              | 706507-705 | LIGHT GRAY |
|              | 706507-706 | RED        |
|              | 706507-707 | GREEN      |
|              | 706507-708 | FUXIA      |
| 20x702x1160  |            |            |
|              |            |            |
|              |            |            |

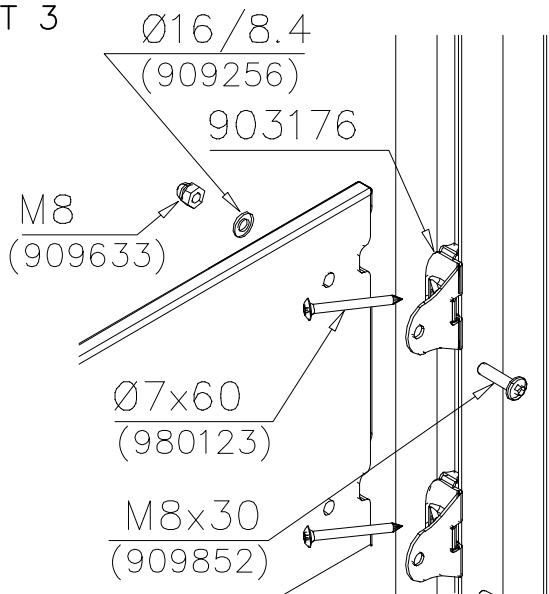
DET 1

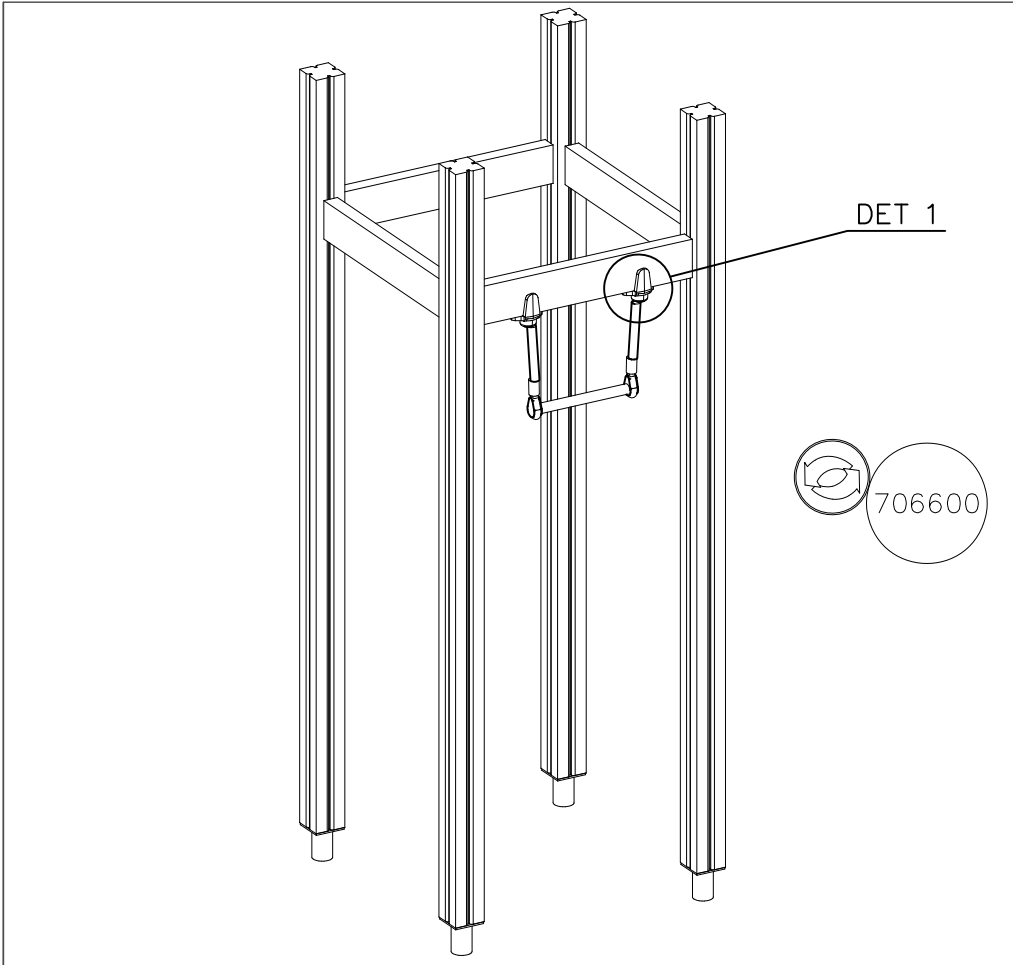


DET 2

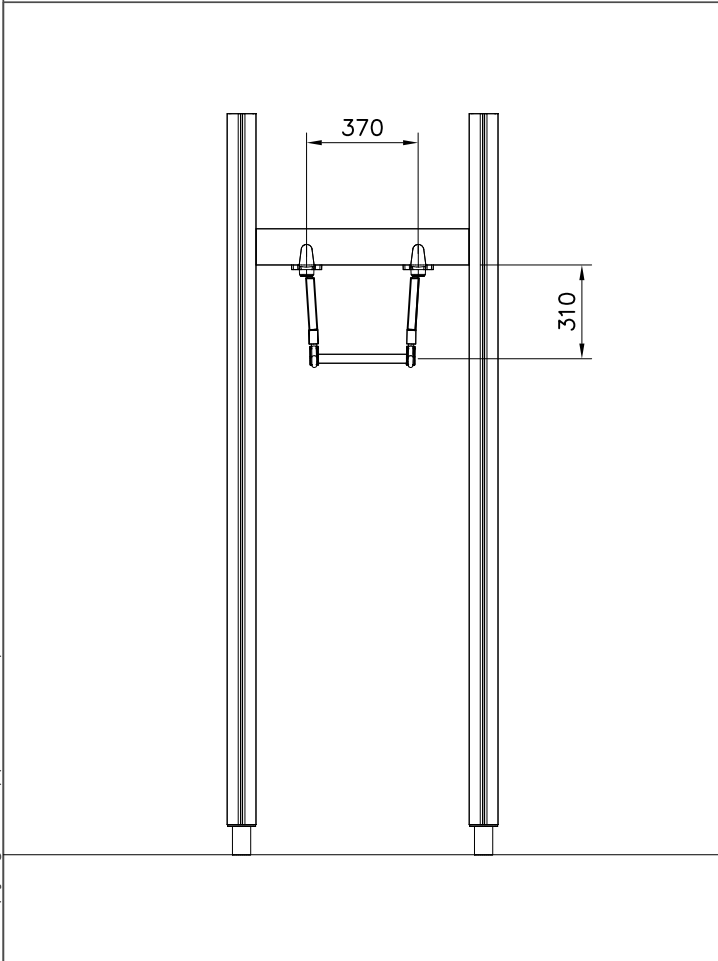


DET 3

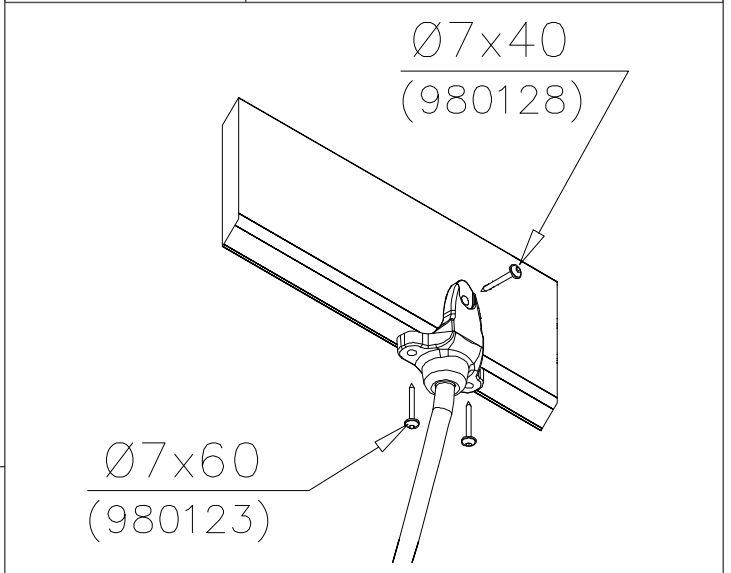


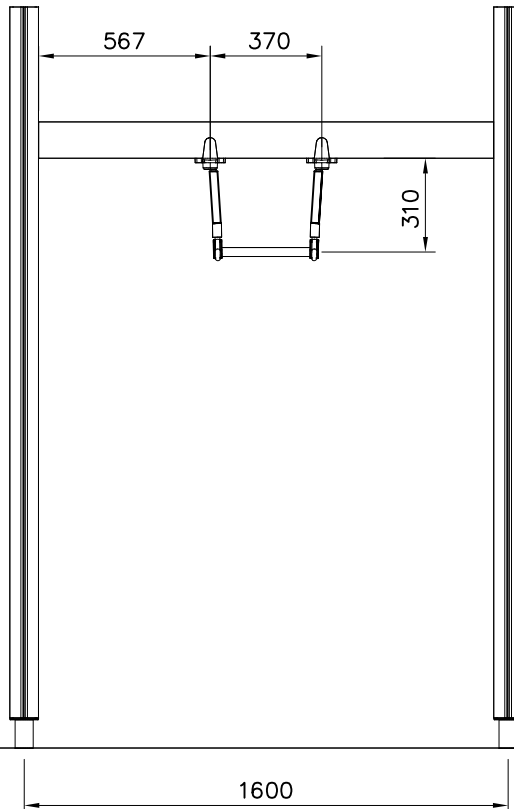
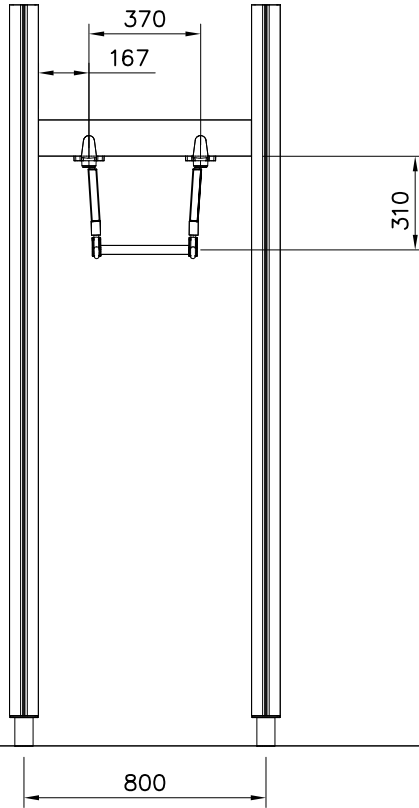


|          |     |          |     |
|----------|-----|----------|-----|
| ① 706600 | PCS | ② 980128 | PCS |
|          | 1   |          | 2   |
|          |     | Ø7x40    |     |
| ③ 980123 | PCS |          | PCS |
|          | 4   |          |     |
|          |     | Ø7x60    |     |
|          | PCS |          | PCS |
|          |     |          |     |
|          | PCS |          | PCS |
|          |     |          |     |

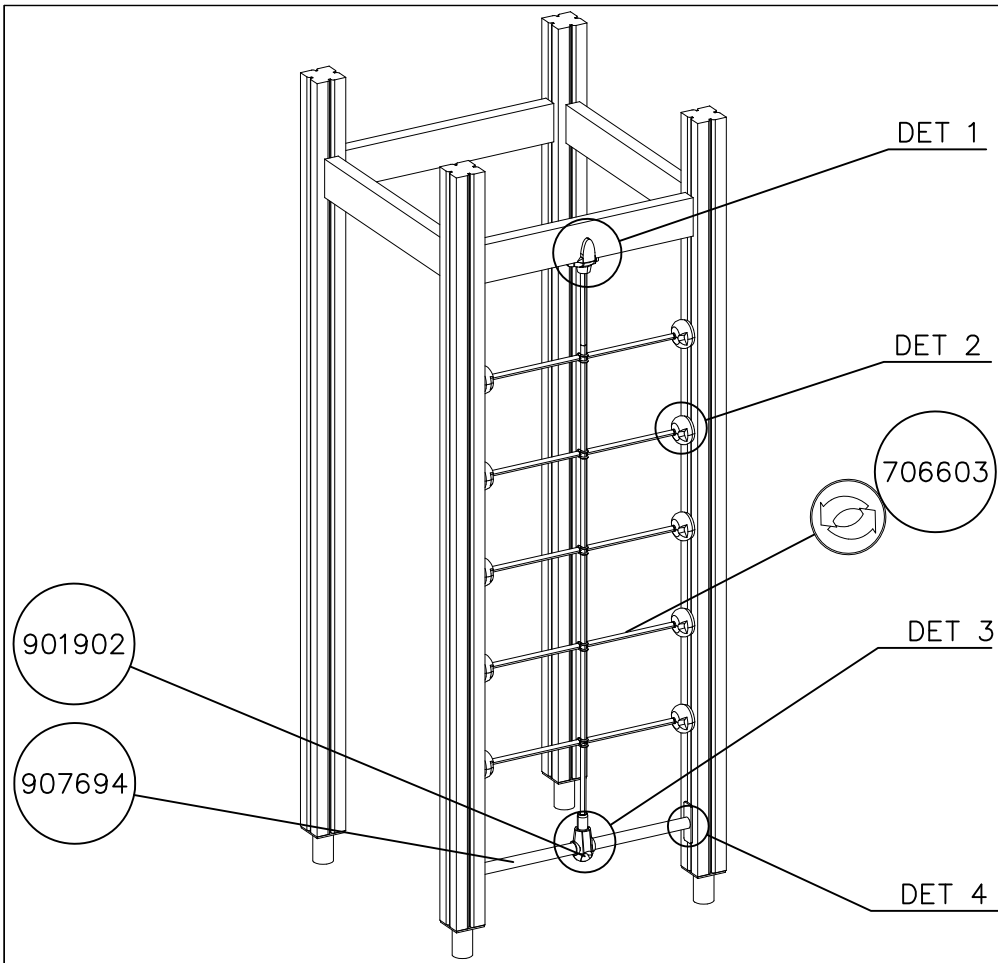


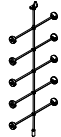


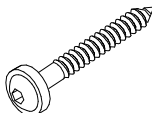
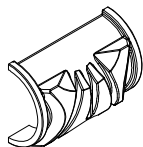
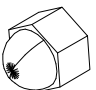
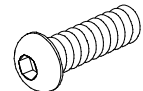
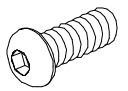
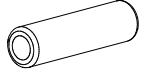

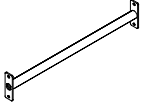
| TRAPEZE OPTIONS |            |        |
|-----------------|------------|--------|
|                 | 706600-301 | BLUE   |
|                 | 706600-302 | RED    |
|                 | 706600-303 | BEIGE  |
|                 | 706600-304 | GRAY   |
|                 | 706600-305 | BLACK  |
|                 | 706600-306 | YELLOW |

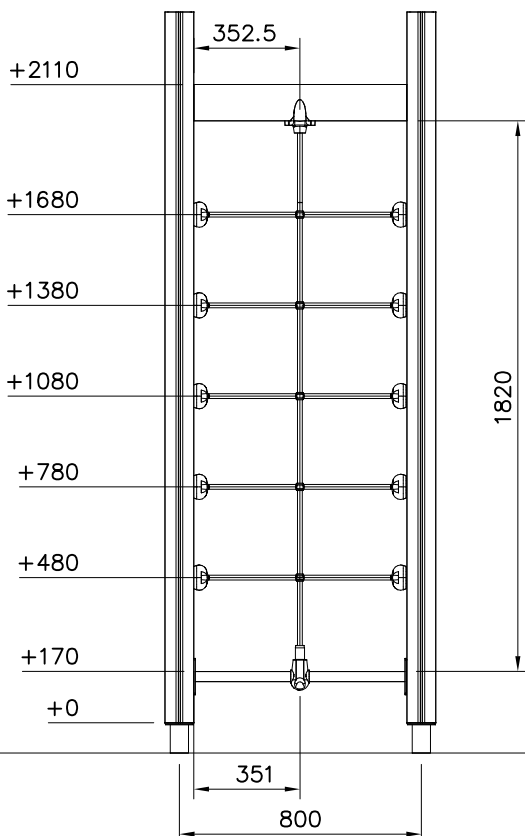






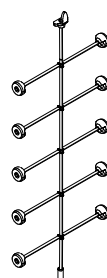


|   |     |   |     |
|---|-----|---|-----|
| ① 706603  | PCS | ② 980128  | PCS |
|    | 1   |    | 2   |
| 1820x702  |     | Ø7x40   |     |
| ③ 980123  | PCS | ④ 900240  | PCS |
|    | 4   |    | 24  |
| Ø7x60   |     | Ø8x70   |     |
| ⑤ 901900  | PCS | ⑥ 909633  | PCS |
|    | 2   |    | 1   |
| 20.5x36.2x56  |     | M8  |     |
| ⑦ 909850  | PCS | ⑧ 900342  | PCS |
|  | 1   |  | 2   |
| M8x25   |     | M8x16   |     |
| ⑨ 901182  | PCS | ⑩ 901902  | PCS |
|  | 1   |  | 2   |
| Ø11/M8x40   |     | 30x61x100   |     |
| ⑪ 907694  | PCS |   | PCS |
|  | 1   |   |     |
| L 704   |     |   |     |



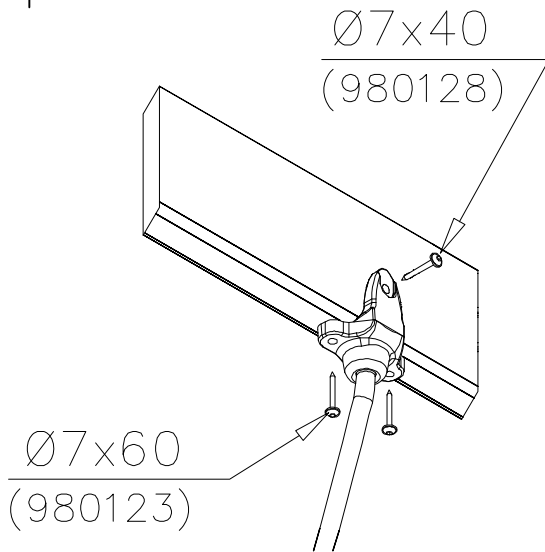
### CLIMBING NET OPTIONS

706603

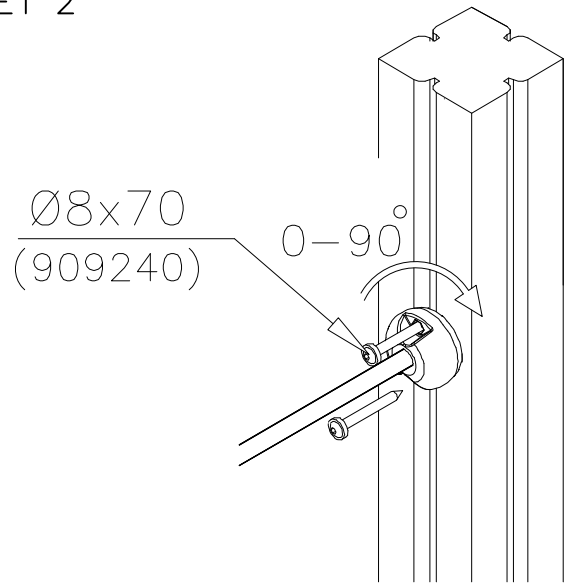


|            |        |
|------------|--------|
| 706603-301 | BLUE   |
| 706603-302 | RED    |
| 706603-303 | BEIGE  |
| 706603-304 | GRAY   |
| 706603-305 | BLACK  |
| 706603-306 | YELLOW |

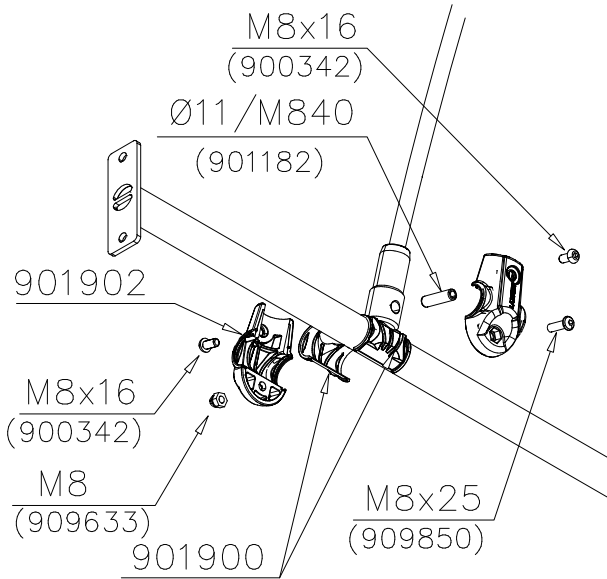
DET 1



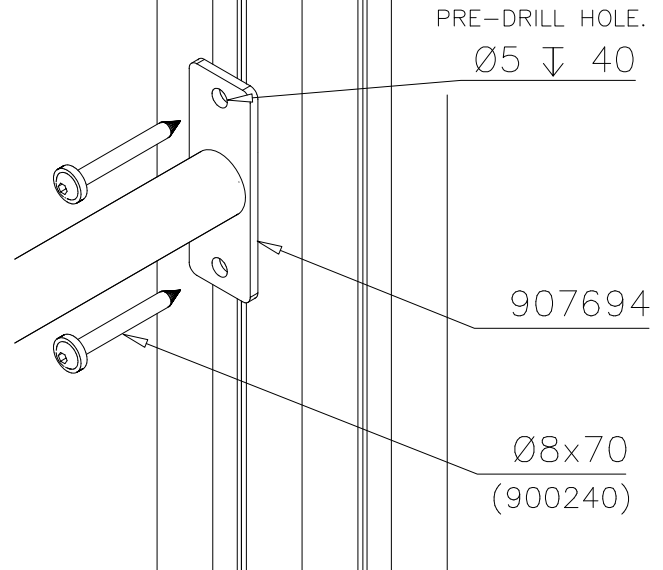
DET 2

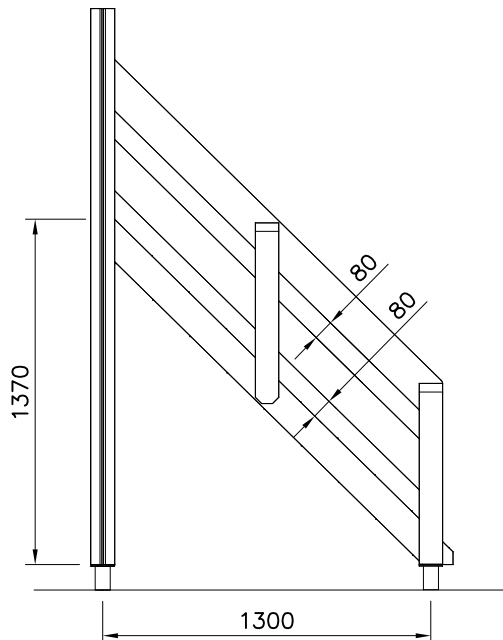
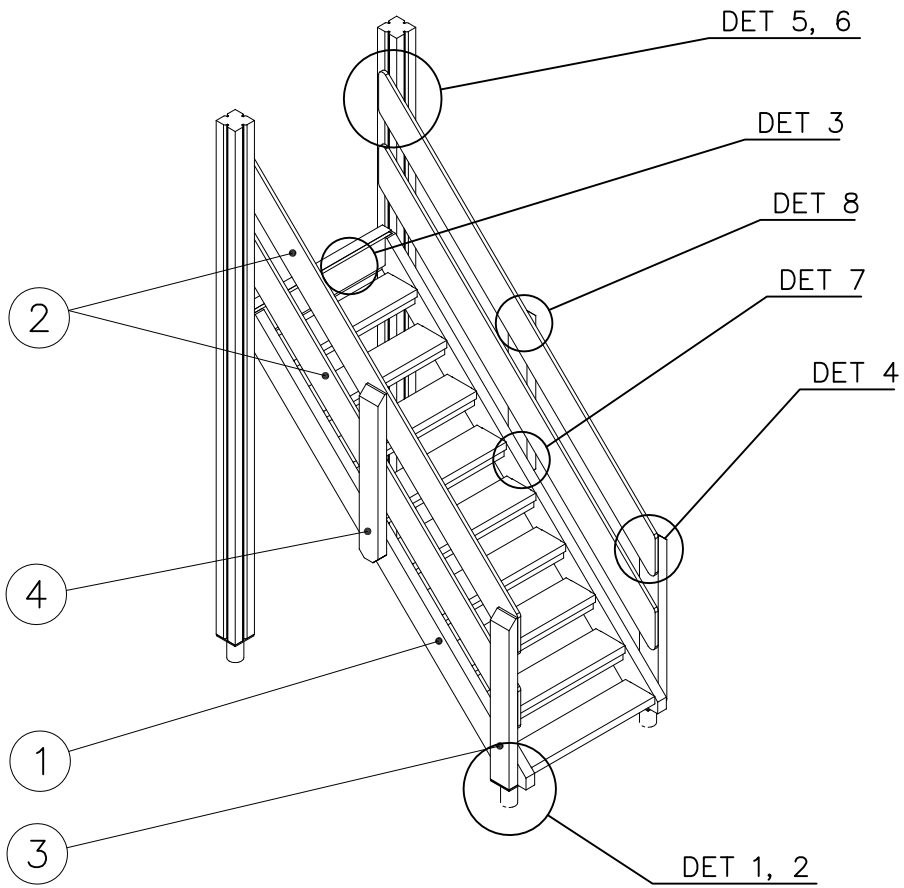


DET 3

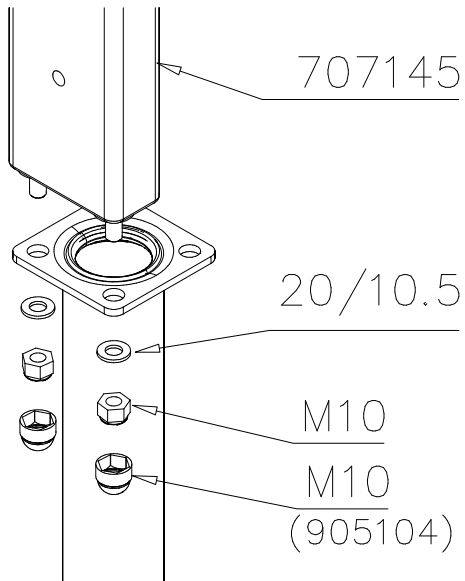


DET 4

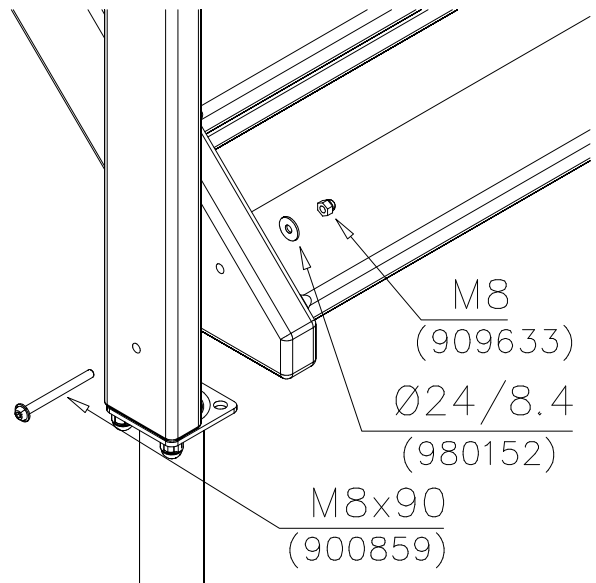




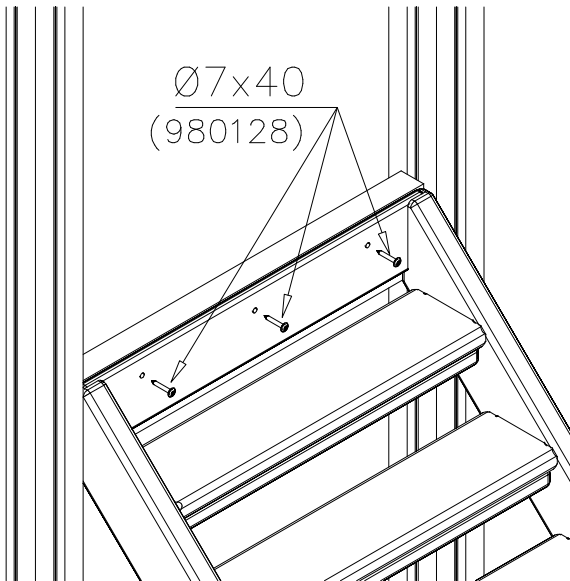
DET 1



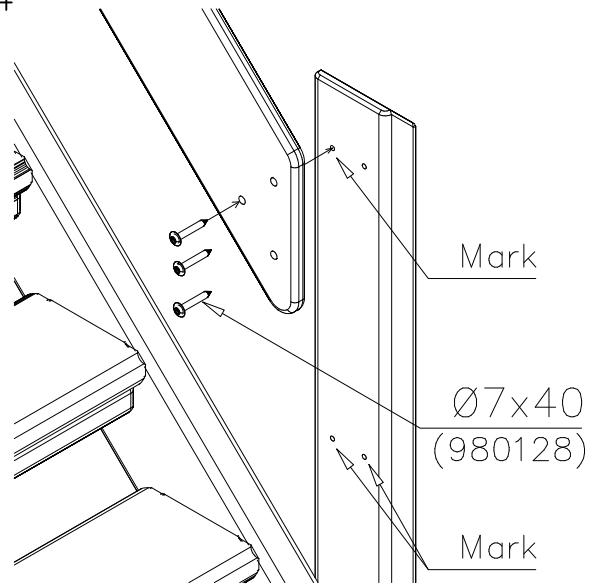
DET 2



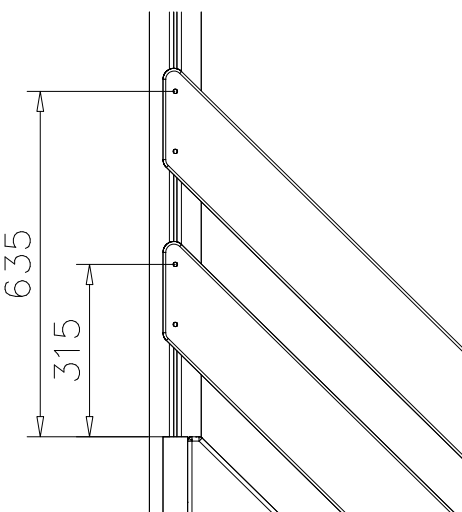
DET 3



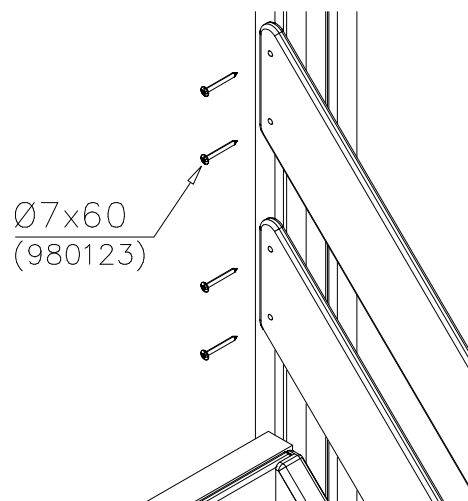
DET 4

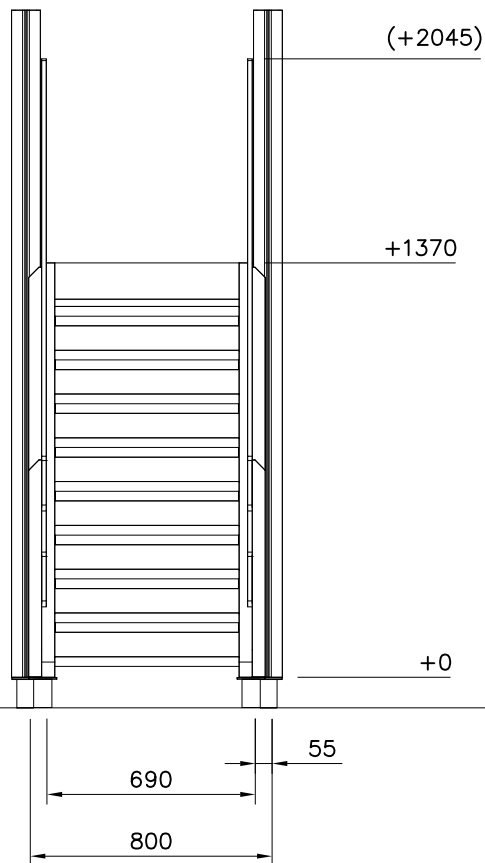
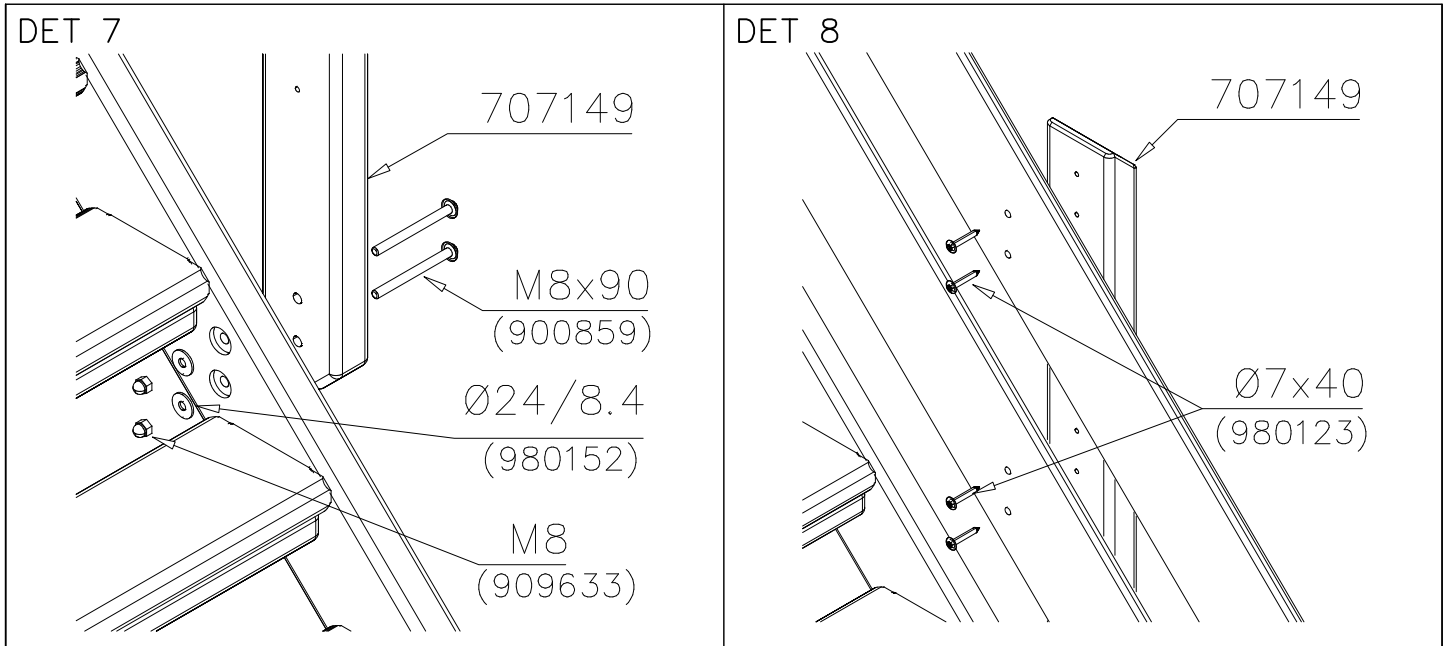


DET 5




DET 6







STAIRS OPTIONS +1470


|   |  |
|---|--|
| 707192<br> | 707192-602 DARK BROWN<br>707192-603 LIGHT BROWN<br>707192-604 LIGHT GRAY |
|---|--|

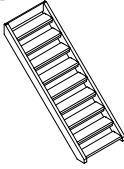



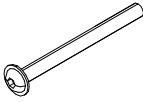
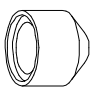
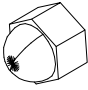



RAILING OPTIONS

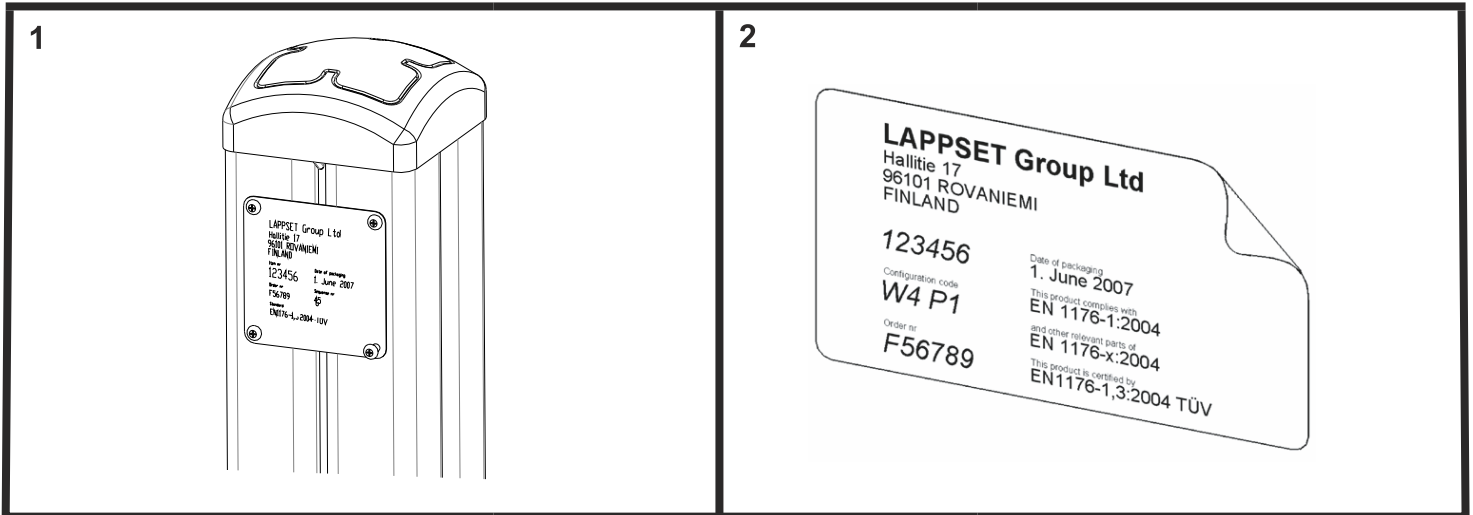
|   |  |                                      |
|---|--|--------------------------------------|
| RAILS<br>707152<br><br>15x145x2009 | 707152-701 BLUE<br>707152-702 YELLOW<br>707152-703 LIME<br>707152-704 DARK GRAY<br>707152-705 LIGHT GRAY<br>707152-706 RED | 707152-707 GREEN<br>707152-708 FUXIA |
|---|--|--------------------------------------|

|   |  |
|---|--|
| POST<br>707145<br><br>43x93x717 | 707145-602 DARK BROWN<br>707145-603 LIGHT BROWN<br>707145-604 LIGHT GRAY |
|---|--|

POST OPTIONS

|  |  |
|--|--|
| POST<br>707149<br><br>43x93x717 | 707149-602 DARK BROWN<br>707149-603 LIGHT BROWN<br>707149-604 LIGHT GRAY |
|--|--|

|   |        |     |   |        |     |   |        |     |  |        |     |   |        |     |   |        |     |
|---|--------|-----|---|--------|-----|---|--------|-----|--|--------|-----|---|--------|-----|---|--------|-----|
| ①   | 707192 | PCS | ②   | 707152 | PCS | ③   | 707145 | PCS | ④  | 707149 | PCS | ⑤   | 900859 | PCS | ⑥   | 905104 | PCS |
|  |        | 1   |  |        | 4   |  |        | 2   |   |        | 2   |  |        | 6   |  |        | 4   |
| +1470   |        |     | 15x145x2009   |        |     | 43x93x717   |        |     | 43x93x717  |        |     | M8x90   |        |     | M10   |        |     |
| ⑦   | 909633 | PCS | ⑧   | 980123 | PCS | ⑨   | 980128 | PCS | ⑩  | 980152 | PCS |   | PCS    |     |   |        | PCS |
|  |        | 6   |  |        | 8   |  |        | 23  |  |        | 6   |   |        |     |   |        |     |
| M8  |        |     | Ø7x60   |        |     | Ø7x40   |        |     | Ø24/8.4x2  |        |     |   |        |     |   |        |     |

**Tuotekyltti tulee tuotteen mukana yhdellä seuraavista tavoista:****1) Metallinen tuotekyltti ja kiinnitysruuvit**

- Kiinnitä tuotekyltti ruuveilla tolppaan noin 2 metrin korkeuteen kuvan 1 mukaisesti.

**2) Tuotekylttitarra**

- Puhdista maalattu metalli- tai vaneripinta pölystä ja kosteudesta. Liimaa tarra kuvan 2 mukaisesti.
- Huom. Älä kiinnitä tarraa karheapintaiseen laminaattiin tai maalattuun puuhun.

**Vår produktmärkning levereras på ett av följande sätt:****1) Produktskylt i metall**

- Fäst skylten med de medföljande skruvarna

**2) Självhäftande produktetikett**

- Rengör den pulverlackerade metallytan eller laminatyten så att den blir fri från smuts och fukt. Fäst etiketten enligt fig. 2.
- Obs! Fäst ej etiketten på detaljer med skrovlig yta eller på målat trä.

**Product label is delivered by one of following ways:****1) Metal product label and screws**

- Fasten the label with screws.

**2) Label sticker**

- Clean the painted metal or plywood surface from dirt and moisture. Fasten the sticker as shown in the figure 2.
- Note. Do not attach the sticker to rough surfaced laminate or painted wood.

**La plaque d'informations produit est livrée sous l'une de ces 3 formes :****1) Plaque métallique et vis**

- Fixez la plaque à l'aide des vis.

**2) Etiquette autocollante**

- Avant de coller l'étiquette, nettoyez le composant métallique peint ou la plaque de contreplaqué, de toute saleté. La surface doit être sèche (voir image 2).
- Attention, ne pas coller l'étiquette sur une surface lamellé-collée irrégulière ou sur du bois peint.

**Die Auslieferung des Produktaufklebers erfolgt auf eine dieser Arten:****1) Produkt-Schild aus Metall incl. Schrauben**

- Die Befestigung des Schildes erfolgt mittels der Schrauben.

**2) Aufkleber**

- Entfernen Sie zunächst Schmutz und Feuchtigkeit vom lackierten Metall bzw. von der Holzoberfläche und bringen Sie den Aufkleber wie im Bild oben rechts beschrieben auf den gesäuberten Untergrund auf.
- Beachten Sie: Bringen Sie den Aufkleber nicht auf raues laminiertes oder lackiertes Holz an.