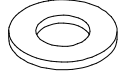
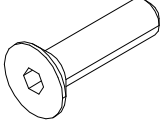



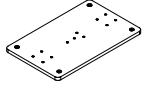
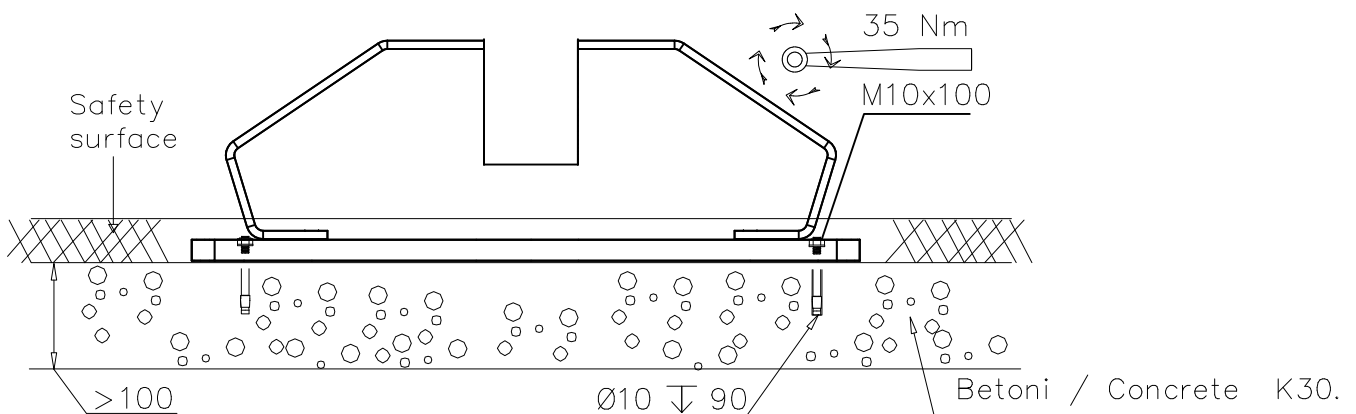
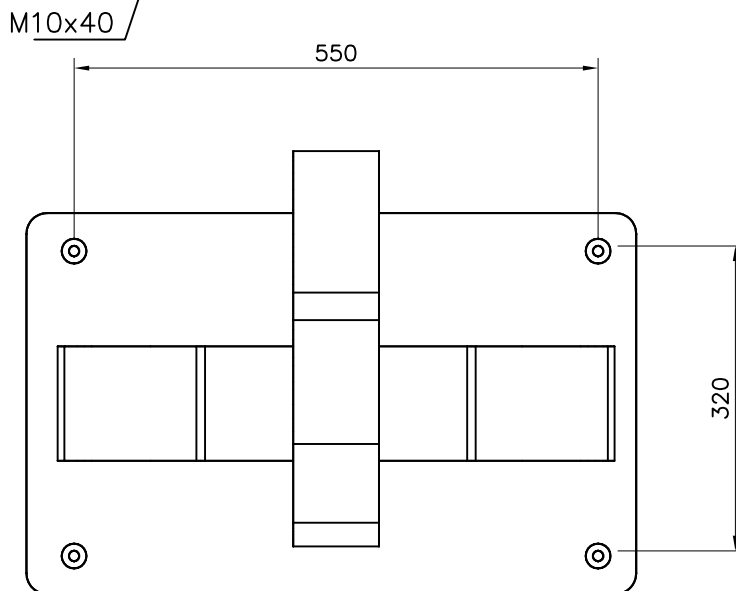
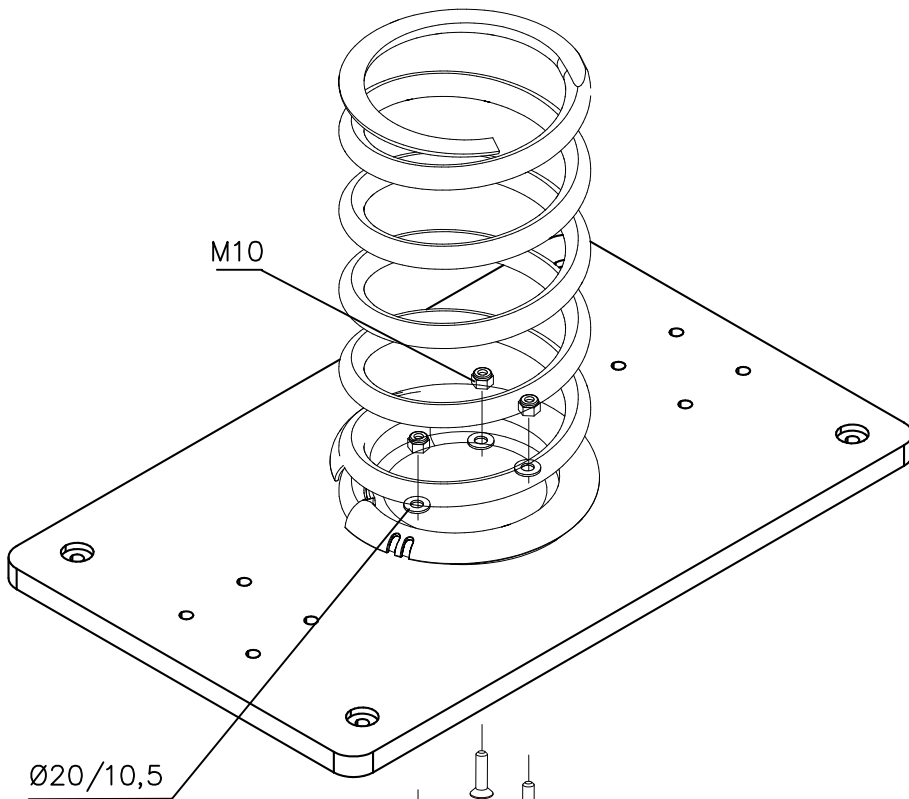
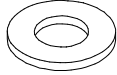
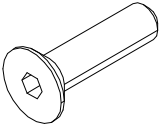



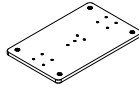


| | | | | | |
|---|---|-----|---|---|-----|
| ① | 901302 | PCS | ② | 901487 | PCS |
| |  | 4 | |  | 4 |
| | Ø20/10,5 | | | M10x40 | |
| ③ | 909628 | PCS | ④ | 980161 | PCS |
| |  | 4 | |  | 4 |
| |  | | | M10 | |
| | M10x100 | | | | |
| ⑤ | 707750 | PCS | | | PCS |
| |  | 1 | | | |
| | 20x400x640 | | | | |



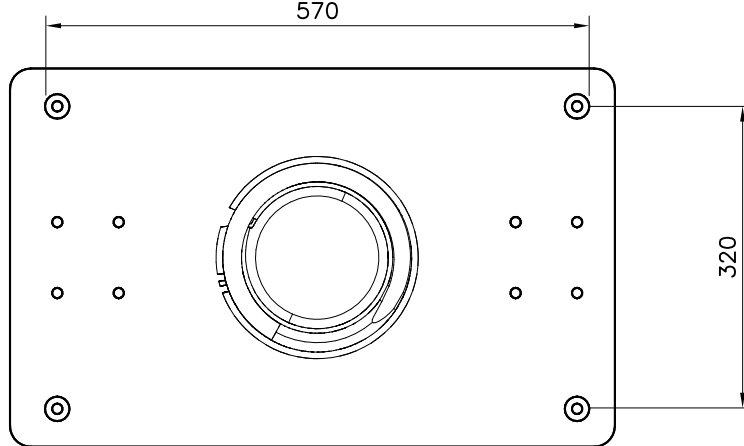


| | | | | | |
|---|---|-----|---|---|-----|
| ① | 901302 | PCS | ② | 901487 | PCS |
| |  | 3 | |  | 3 |
| | Ø20/10,5 | | | M10x40 | |
| ③ | 909628 | PCS | ④ | 980161 | PCS |
| |  | 4 | |  | 3 |
| |  | | | M10 | |
| | M10x100 | | | | |
| ⑤ | 707750 | PCS | | | PCS |
| |  | 1 | | | |
| | 20x400x640 | | | | |

M10x40

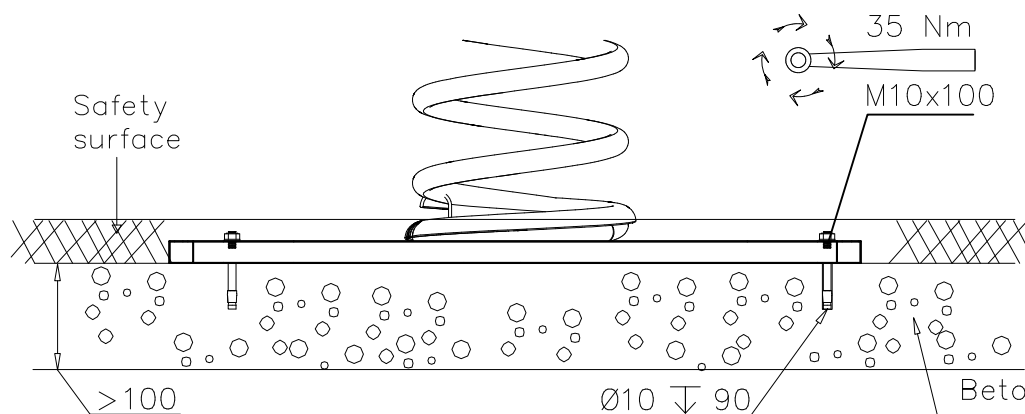
570

320



35 Nm

M10x100



Safety surface

In case of concrete block

