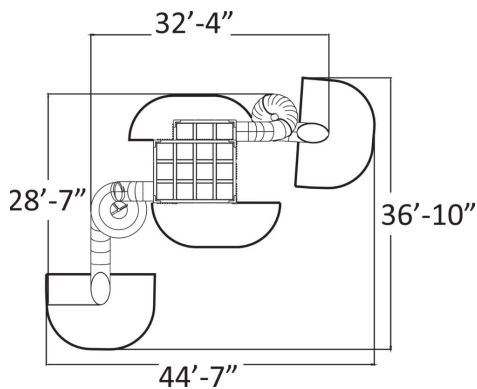




The US239031M product complies with the ASTM Standard. Height is a fundamental element of exciting play. Rising to nearly 26 feet, this tower consists of three elements (a cube and two cuboids on top of each other) and offers users chances for truly testing their limits. How high do you dare to climb? Are you brave enough to walk on the transparent floor? Will you climb down or speed down one of the two tube slides?



Number of users	42
Product length, mm	8700
Product width, mm	9850
Product height, mm	8090
Height required, mm	8090
Max. free fall height, mm	1090
Safety info	ASTM F1487-17
Installation time (for 1), H	68
Wood	