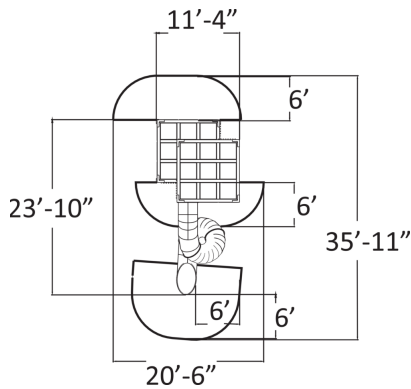




The US239023M product complies with the ASTM Standard. In this Cubic the cube and the cuboid are merged. Climbing up inside the funnel, you'll get to the top cube and can admire the scenery even on the balancing ball! The long tube slide brings you down in a fun but safe way. The high pressure laminate panels on the cuboid are interchangeable with another color.



Number of users	34
Product length, mm	3460
Product width, mm	7270
Product height, mm	5300
Height required, mm	5300
Max. free fall height, mm	1100
Safety info	ASTM F1487-17
Installation time (for 1), H	44
Wood	
Metal	
Colour of walls and HPL	
Ropes	