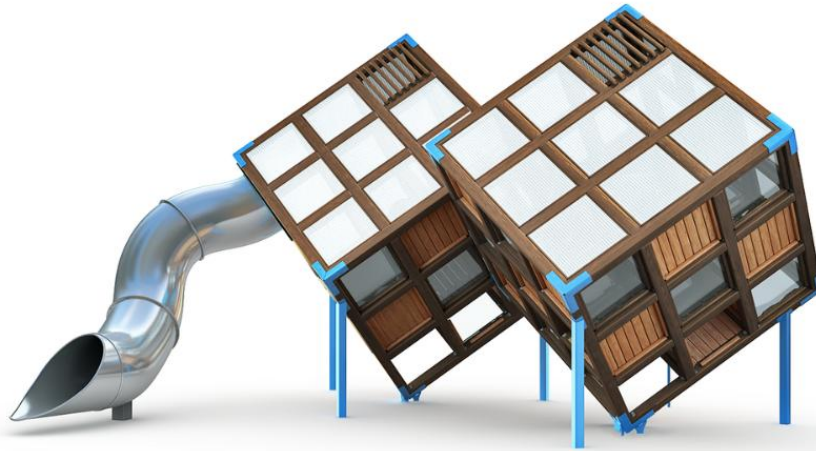
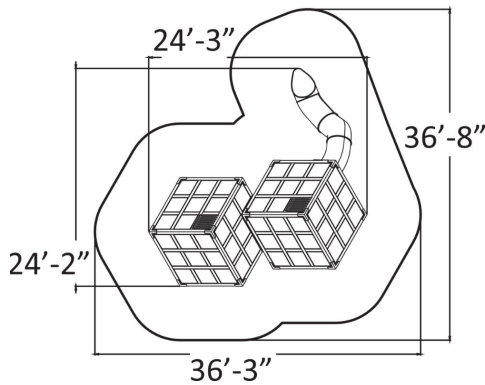


**US239020M**

**Halo Diamond 2 (ASTM)**



The US239020M product complies with the ASTM Standard. Halo Diamond 2 is a two-cube version and a big sister of the magnificent Halo Diamond 1. Number two naturally indicates even more activities and fun to play on a larger scale. When the cubes are not sitting flat on the ground but tilted, your ability to balance and navigate is being tested in the most surprising way ever. This pair of cubes, standing on their corner tips includes a spider net seat, balancing ball, rope net, fireman's pole as well as an entry to the plastic tube slide. Climb in to experience this unique equipment yourself. It is way more challenging than it seems at a first sight! The max falling height 1950 mm comes from the fireman's pole that works as an exit or entry in one of the two cubes.



Number of users	28
Product length, mm	7390
Product width, mm	7350
Product height, mm	4590
Height required, mm	4590
Max. free fall height, mm	1950
Safety info	ASTM F1487-17
Installation time (for 1), H	54
Wood	