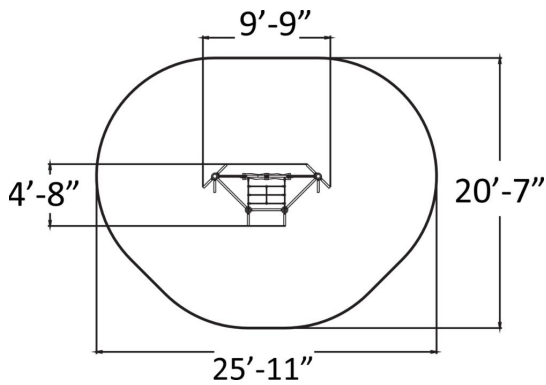


# FAIRY'S WATERFALL (ASTM)



The US175592 product complies with the ASTM Standard. Fairy's waterfall provides more challenge than meets the eye at first. The ropes are "living" and thus the nets and rope ladders are responsive to every movement. The stable beams and branches encourage climbing, too. This product can be used in many ways, as a meeting point or for exercising. Without specific entry or exit points it is good for social interaction and communication, as well as for hanging out with friends.



User age	5-12
Number of users	8
Product length, mm	2960
Product width, mm	1430
Product height, mm	2700
Height required, mm	3850
Max. free fall height, mm	2350
Safety info	ASTM F1487-17
Installation time (for 1), H	6