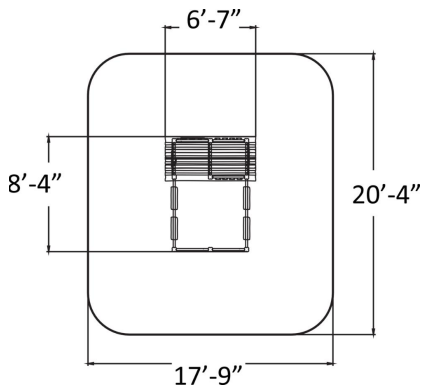



Beach hut (ASTM)



The US175583 product complies with the ASTM Standard. This inspiring Beach Hut is built at one end of a sandbox so that those playing can move inside and out. The hut is great fun, come rain or shine, as kids can play out in the open or sheltered by the hut. The rear wall is closed with a boarded wall section and a fenced section, so the little ones are easy to supervise from outside the sandbox. The hut is accessed via the sandbox. The steeply pitched roof and curved roof plane are influenced by mediaeval Scandinavian designs, scaled down to suit children. Green window frames give a welcoming, bright accent of colour. A chimney crowns the playful design.



Number of users	10
Product length, mm	2000
Product width, mm	2540
Product height, mm	2110
Height required, mm	2200
Max. free fall height, mm	370
Safety info	ASTM F1487-17
Installation time (for 1), H	3
Wood	
Metal	