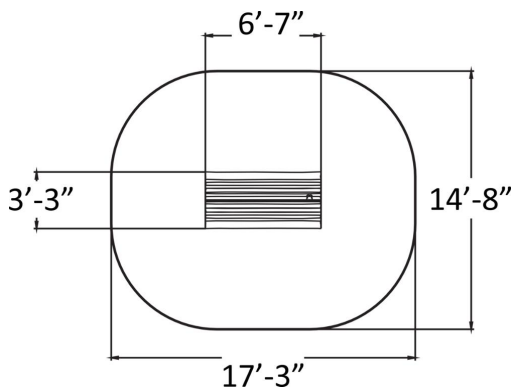



Forest house (ASTM)



The US175582 product complies with the ASTM Standard. This exciting Forest House is designed for children and is perfect for all types of games. The hut has enough space for several toddlers at once. The Forest House is fun as a self-standing feature or together with other Troll Village buildings. The hut can be fitted with additional features so that children can use it for their role play and other games. One of the two long sides of the hut is entirely open. The boarded walls have windows for easy supervision children at play. The hut is open on one side and has three boarded walls with windows and a fence on one side. Green window frames give a bright accent of colour. A chimney crowns the playful design. This product does not require impact attenuating surfacing.



Number of users	7
Product length, mm	2000
Product width, mm	980
Product height, mm	2020
Height required, mm	2100
Safety info	ASTM F1487-17
Installation time (for 1), H	2
Wood	
Metal	