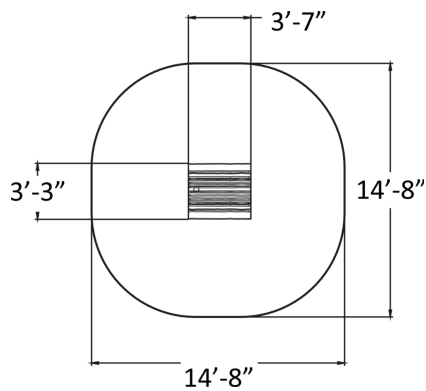



Little hut (ASTM)



The US175581 product complies with the ASTM Standard. This adorable Little Hut is designed for children and is perfect for all types of games. The hut is open on one side, with two walls with windows, and a fence on the other three sides. The Little Hut is fun as a self-standing feature, as a group of Little Huts, or together with other Troll Village buildings. You can furnish it yourself or let children use their imagination with its interiors. Green window frames give a welcoming, bright accent of colour. A chimney crowns the playful design. This product does not require impact attenuating surfacing.



User age	2-5
Number of users	5
Product length, mm	1100
Product width, mm	980
Product height, mm	2020
Height required, mm	2100
Safety info	ASTM F1487-17
Installation time (for 1), H	2
Wood	
Metal	