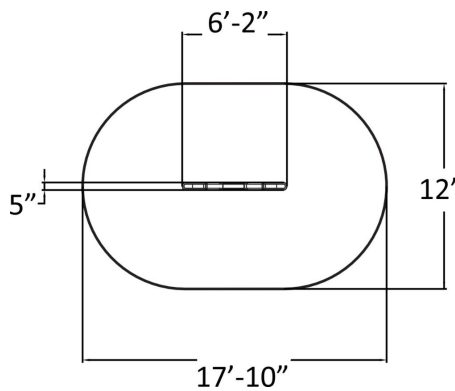



Flora Grasshopper (ASTM)



The US175571 product complies with the ASTM Standard. The small-size spring bouncer with a gentle motion is suitable even for children of kindergarten age. Spring bouncers are playground classics, providing entertainment for children year after year. The motion trains children's rhythmic awareness and improves the sense of balance.



Number of users	2
Product length, mm	1870
Product width, mm	330
Product height, mm	725
Max. free fall height, mm	800
Safety info	ASTM F1487-17
Installation time (for 1), H	3
Wood	
Metal	