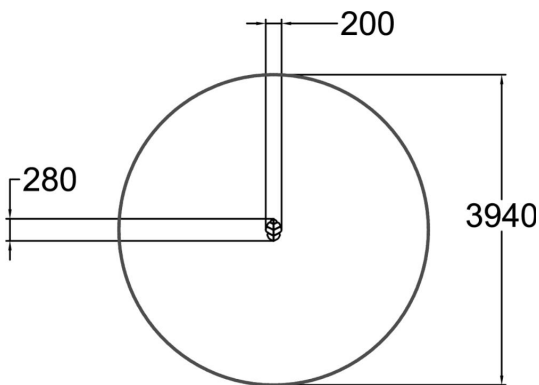


OAK LEAF (ASTM)



The US175561 product complies with the ASTM Standard. A balancing post with a wooden top on a metal foot. The pretty posts shaped like oak leaves can be combined, to form balancing routes that are safe even for younger kids thanks to their low height. With practice, the children will become more adept, increasing their speed and the diversity of their movements! The balancing posts can also be used as seats by children or grown-ups, for a little rest.



Number of users	1
Product length, mm	200
Product width, mm	280
Product height, mm	470
Height required, mm	2270
Max. free fall height, mm	470
Safety info	ASTM F1487-17
Installation time (for 1), H	1