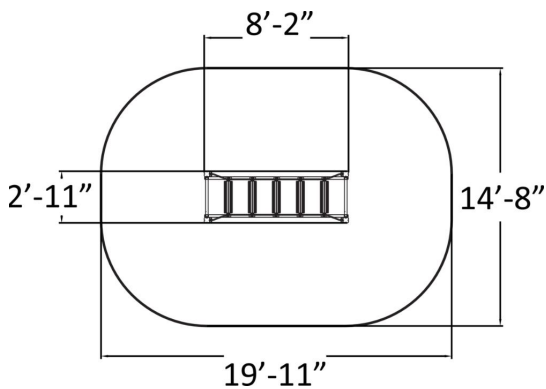


ROLLING LOGS (ASTM)



The US175532 product complies with the ASTM Standard. The Rolling logs improves balance, coordination as well as core & lower body strength. It is fun for the player to use, as well as for the possible bystander to watch! This equipment is a bridge with five rounded logs suspended by ropes from the handrails. The logs rotate back and forward.



User age	2-12
Number of users	7
Product length, mm	2490
Product width, mm	890
Product height, mm	950
Height required, mm	1970
Max. free fall height, mm	270
Safety info	ASTM F1487-17
Installation time (for 1), H	2