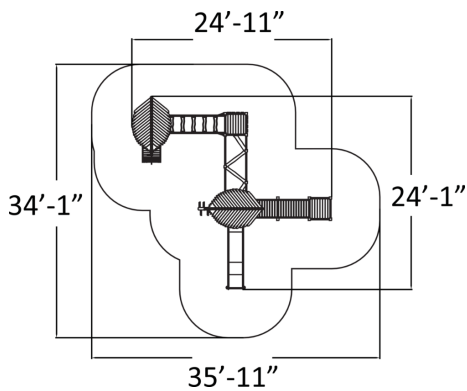


US175520

Goblin's Forest (ASTM)



The US175520 product complies with the ASTM Standard. Goblin's Forest is a multifunctional piece of playground equipment with many options that develop children's motor skills and are suitable for climbers of different levels. An exciting, long slide is guaranteed to give a thrilling ride. The fact that the various climbing sections are organised in the form of routes provides diverse forms of exercise and fosters the children's imaginations. The Goblin's Forest settles smoothly into its environment, and the imagination is the only limit beneath its lovely leafy roofs.



User age	5-12
Number of users	11
Product length, mm	7330
Product width, mm	7600
Product height, mm	3820
Impact area, m <sup>2</sup>	62
Height required, mm	4000
Max. free fall height, mm	1470
Safety info	ASTM F1487-17
Installation time (for 1), H	22.5
Wood	<input checked="" type="checkbox"/>
Metal	<input type="checkbox"/>