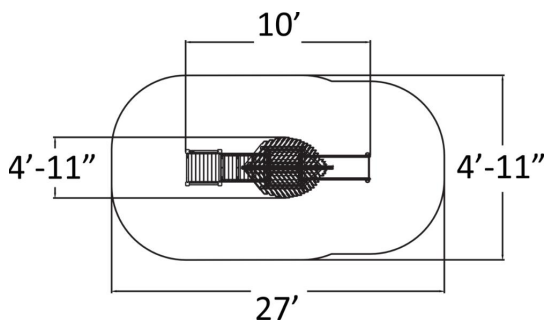



US175515

Fairy's Burrow (ASTM)



The US175515 product complies with the ASTM Standard. Fairy's Burrow is a lovely slide, straight from a story-book, that will fit into a small space. The platform's leafy roof and wooden fences give wings to the imagination and lead to all sorts of exciting imaginative games. Structure of the slides is curved laminated wood and the gliding surface is stainless steel. All Flora products are modular, and all parts are factory-made which guarantees an easy access and exchangeability of spare parts.



User age	2-5
Number of users	4
Product length, mm	4560
Product width, mm	1500
Product height, mm	3200
Height required, mm	3200
Max. free fall height, mm	870
Safety info	ASTM F1487-17
Installation time (for 1), H	8
Wood	
Metal	