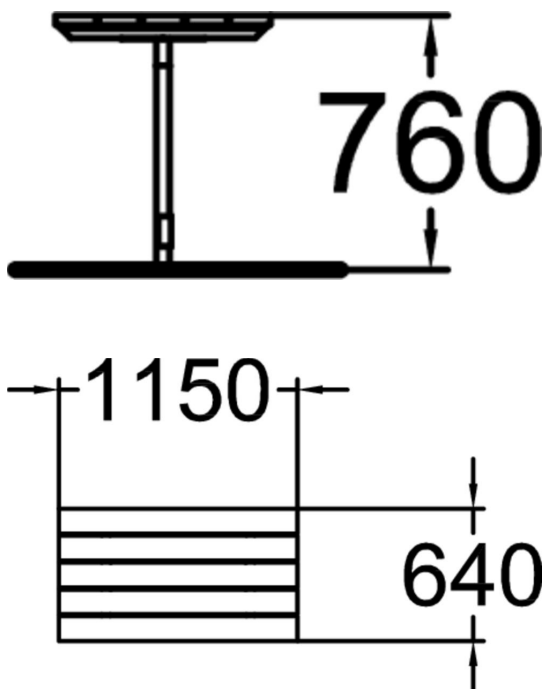


SCANDINAVIA TABLE



Scandinavia bench family has simple and stylish design which suits most environments and with tables you can form pleasant combinations. The wood is pine wood painted with five standard colors or hot oil treatment (Linax) and the frame is powder coated steel pipe with four standard colors. Scandinavia family includes bench models with and without handrests and backrest but also one seater chair and table. Installation mode is chosen either with deep mounting legs or with free standing surface installation legs with metal plate against the ground.



Product length, mm	1150
Product width, mm	640
Product height, mm	760
Foundation options	deep_mounting surface_mounting
Wood	
Metal	