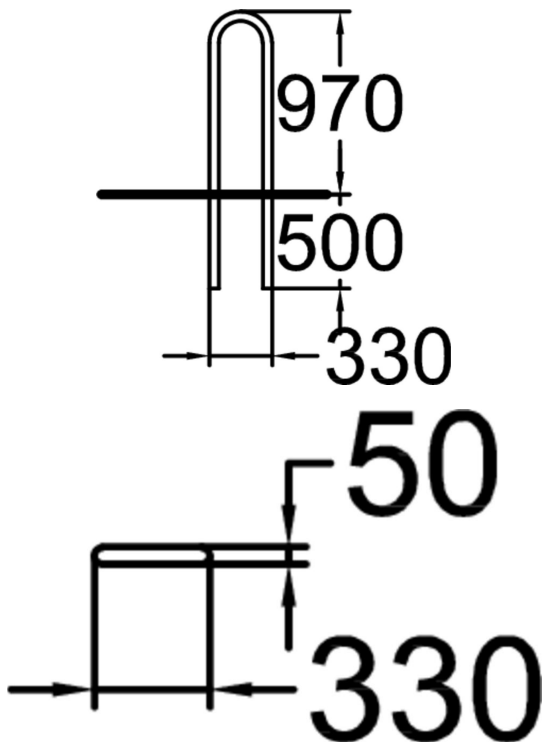


**BÅGEN BICYCLE STAND** Frame lockable



You can lock your bicycle from it's frame to Bågen bicycle stand. The design is simply and smooth so it fits most environments. One Bågen takes two bicycles, one on each side, and recommended free space between stands is 80-100 cm leaving 40-50 cm space for each bicycle. Bågen has two installation versions; deep mounting with wet concrete and surface mounting with fixing plate to be bolted on concrete or asphalt.



Product length, mm	330
Product width, mm	50
Product height, mm	970
Foundation options	deep_mounting surface_mounting
Metal	