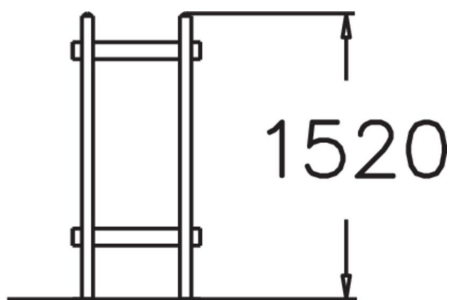


TROSA TRUNK GUARD

Tree guard for public environments. Cylindrical tree guard to protect the trunk; for use with ground grilles. The tree guard has tubular steel rods and is 1520 mm from the ground; diameter 680 mm.



Product height, mm	1500
Foundation options	Surface mounting
Metal	

