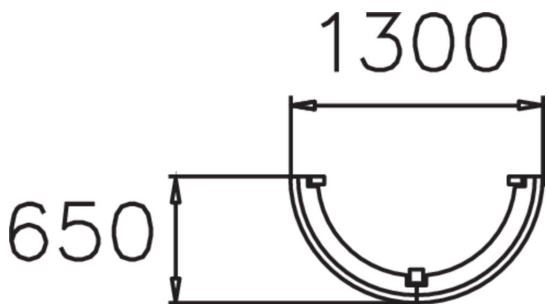
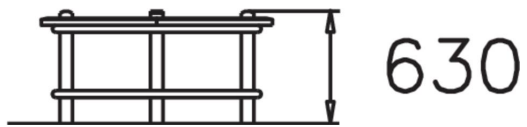


URBAN RAIL HALF ROUND



Semi-circular railing with plank seat.



Product height, mm	630
Foundation options	deep_mounting
Wood	
Metal	