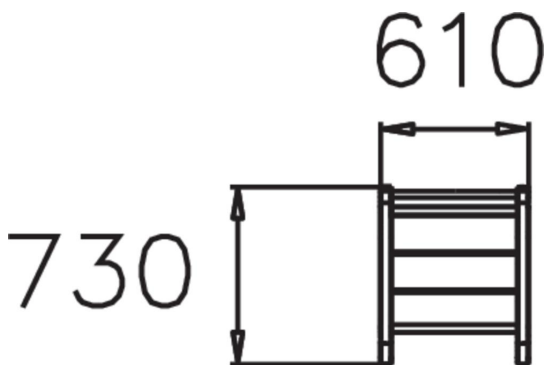


PAUS ARMCHAIR



Chair with detailing. Paus is a robust chair with a steel frame, and a seat and back support in pine. The armrest has a ring design at the very end, which helps when sitting down or standing up. Lappset's Paus range is this free-standing chair and a park bench with backrest (NF3900).



Product length, mm	610
Product width, mm	730
Foundation options	Free standing
Wood	
Metal colour	