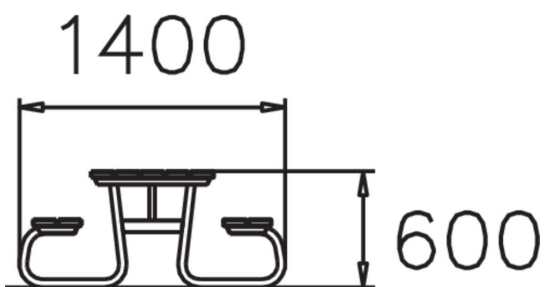
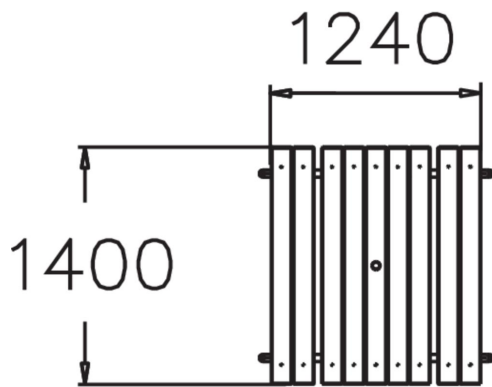


HANS PICNIC TABLE FOR CHILDREN



Picnic table for little ones. Picnic table adapted for children. Sturdy combination of seating-and-table-in-one; height 600 mm and length 1400 mm. The table is free-standing.



Product length, mm	1400
Product width, mm	1240
Product height, mm	600
Foundation options	Free standing
Wood	
Metal colour	